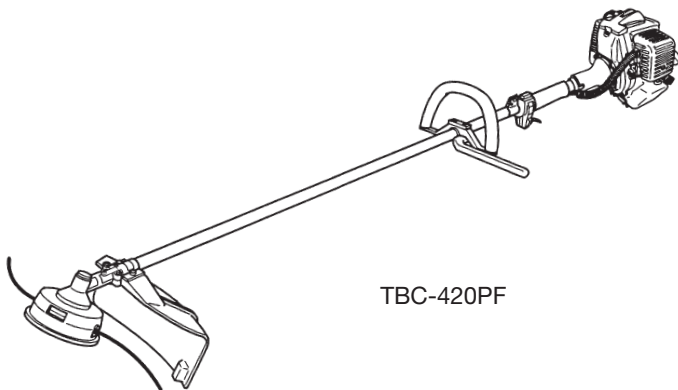


Tanaka

Grass Trimmer/Brush Cutter
Rasentrimmer/Motorsense
Coupe- Herbes/Débroussailleuse
Bordatore/Decespugliatore
Motor Zeis/Motor Bosmaaier
Motoguadañas/Desbrozadoras
Foice a motor/Roçadora
Χλοοκοπτικό / Θάμνοκοπτικό

TBC-420PF / TBC-430PF TBC-430PFLV



TBC-420PF



Read the manual carefully before operating this machine.
Lesen Sie vor der Verwendung diese Anleitung sorgfältig durch.
Lire attentivement le manuel avant d'utiliser la machine.
Leggere attentamente il manuale prima di mettere in funzione questa apparecchiatura.
Lees de handleiding zorgvuldig door voordat u de machine bedient.
Antes de utilizar esta máquina, lea cuidadosamente el manual.
Leia o manual atentamente antes de operar esta máquina.
Διαβάστε προσεκτικά το εγχειρίδιο πριν χειριστείτε αυτό το μηχάνημα.

Handling instructions
Bedienungsanleitung
Mode d'emploi
Istruzioni per l'uso
Gebruiksaanwijzing

Instrucciones de manejo
Instruções de uso
Οδηγίες χειρισμού

Hitachi Koki

G
B

D
E

F
R

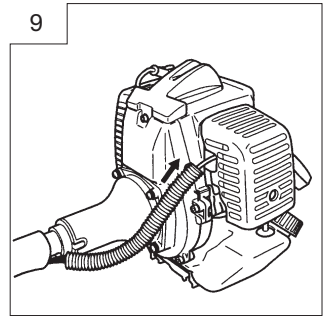
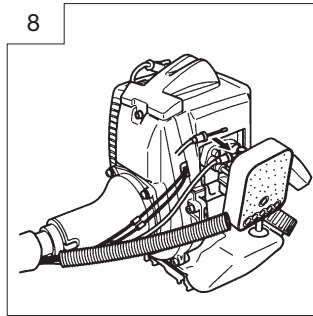
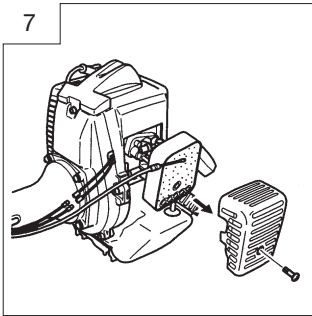
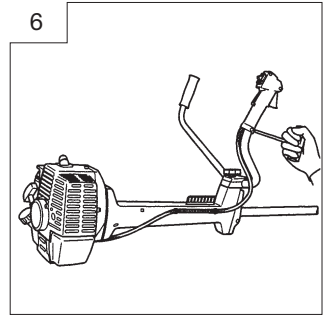
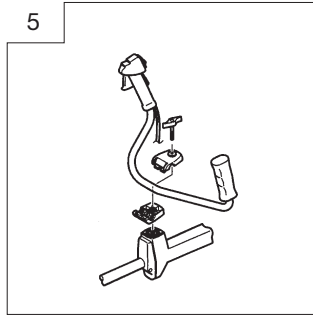
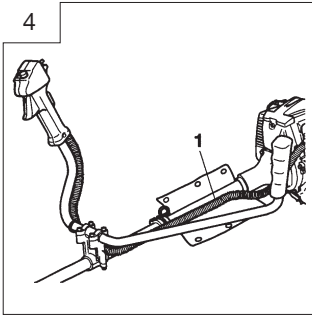
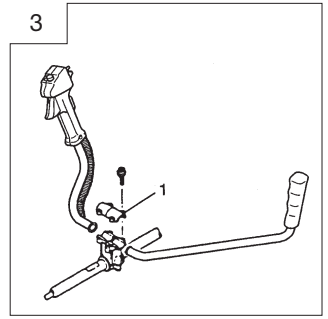
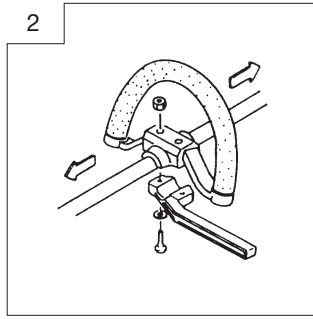
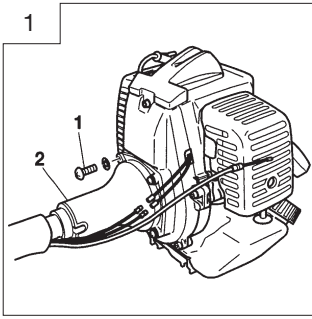
I
T

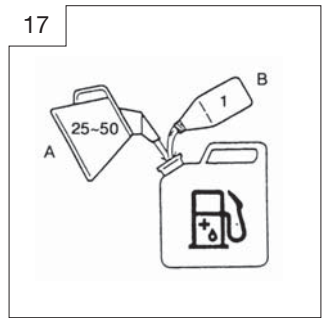
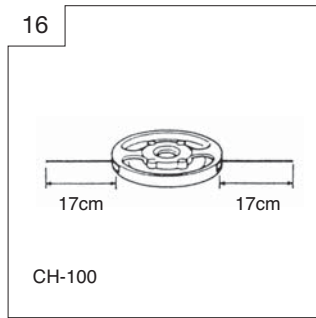
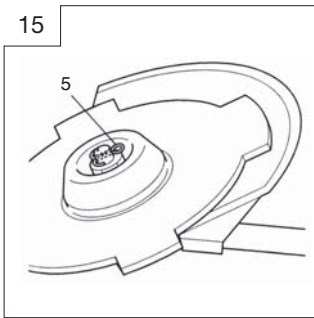
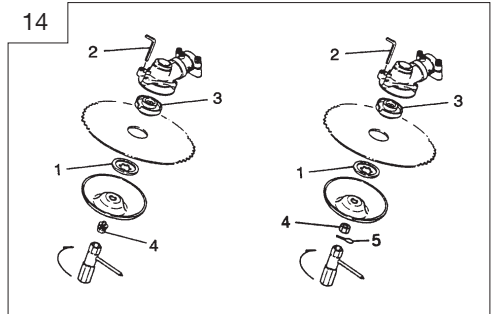
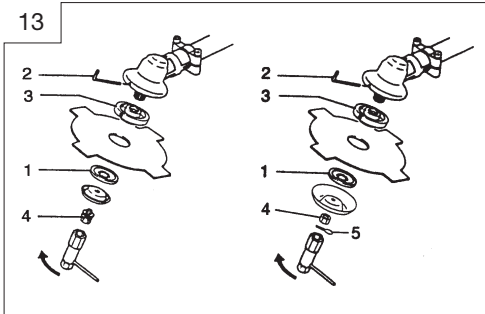
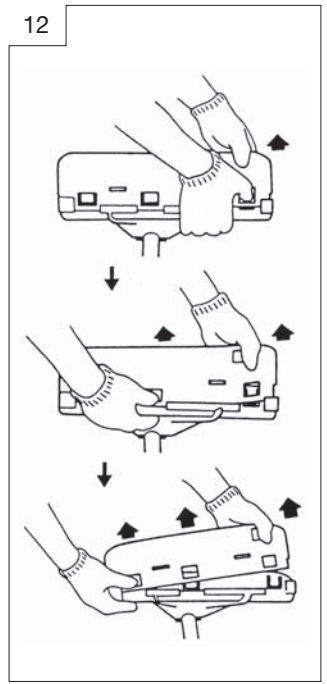
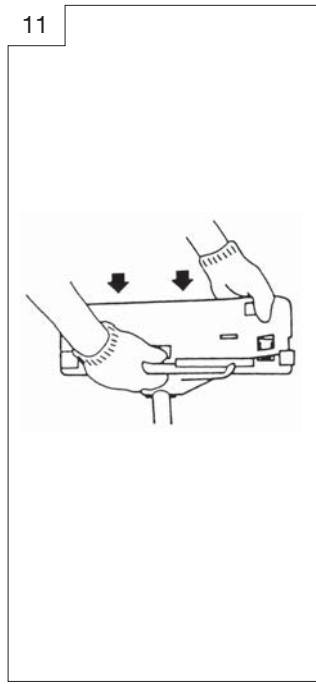
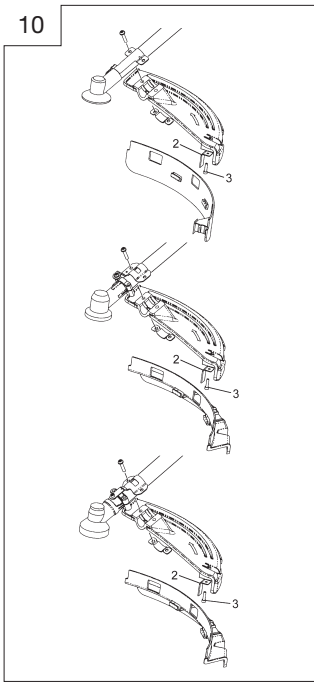
N
L

E
S

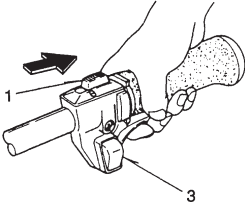
P
T

G
R

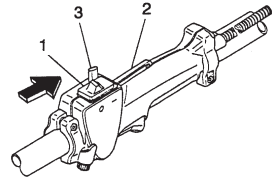
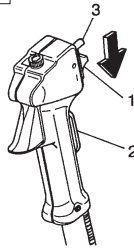




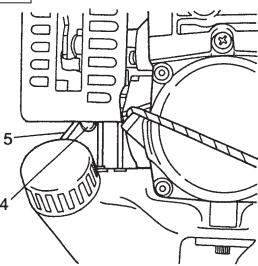
18



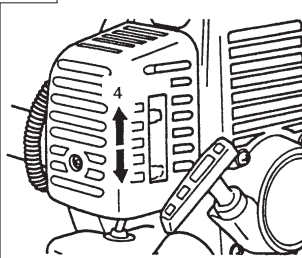
19



20



21



22



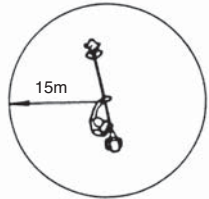
23



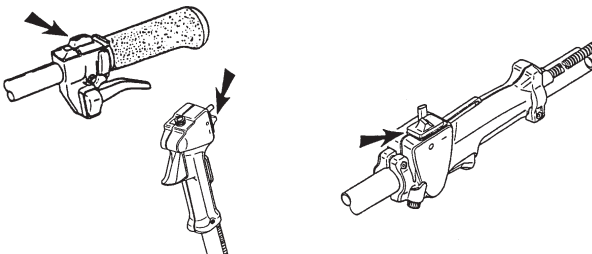
24



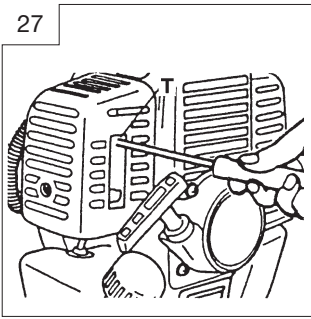
25



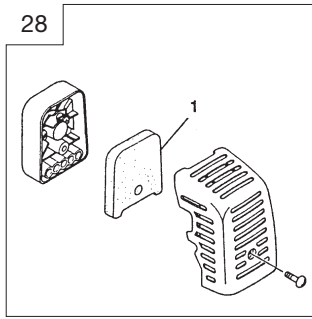
26



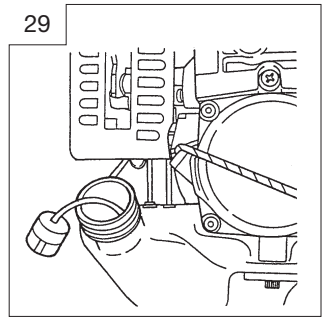
27



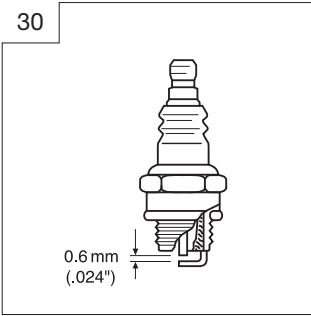
28



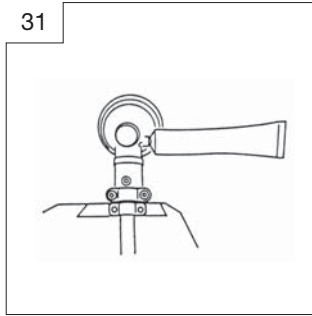
29



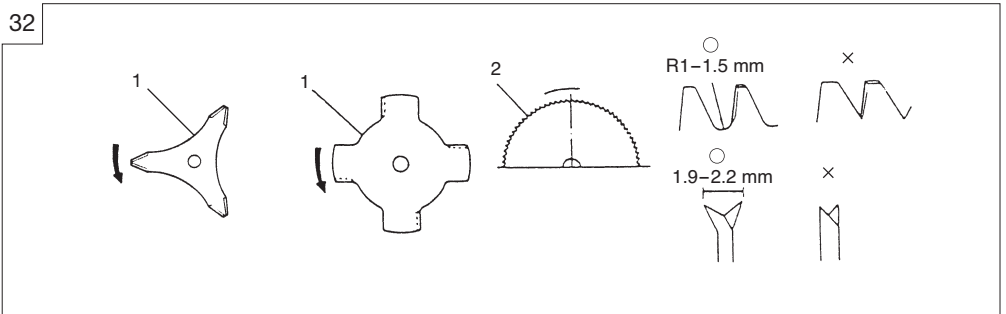
30



31









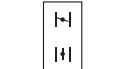




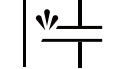




32



Meanings of symbols

NOTE : Some units do not carry them.

	<p>Symbols ⚠ WARNING The following show symbols used for the machine. Be sure that you understand their meaning before use.</p>		
	<p>It is important that you read, fully understand and observe the following safety precautions and warnings. Careless or improper use of the unit may cause serious or fatal injury.</p>		<p>Blade thrust may occur when the spinning blade contacts a solid object in the critical area. A dangerous reaction may occur causing the entire unit and operator to be thrust violently. This reaction is called BLADE THRUST. As a result, the operator may lose control of the unit which may cause serious or fatal injury. Blade thrust is more likely to occur in areas where it is difficult to see the material to be cut.</p>
	<p>Read, understand and follow all warnings and instructions in this manual and on the unit.</p>		
	<p>Always wear eye, head and ear protectors when using this unit.</p>		<p>Fuel and oil mixture.</p>
	<p>Do not use metal/rigid blades when this sign is shown on the unit.</p>		<p>Do not touch the muffler and surrounding area as they can be very hot.</p>
	<p>Keep all children, bystanders and helpers 15m away from the unit. If anyone approaches you, stop the engine and cutting attachment immediately.</p>		<p>Explains choke position. Upper sign indicates choke closed and the lower fully open.</p>
	<p>Be careful of thrown objects.</p>	<p>T</p>	<p>Carburetor adjustment - Idle speed</p>
	<p>Shows maximum shaft speed. Do not use the cutting attachment whose max rpm is below the shaft rpm.</p>	<p>L</p>	<p>Carburetor adjustment - Low speed mixture</p>
	<p>Gloves should be worn when necessary, e. g., when assembling cutting equipment.</p>	<p>H</p>	<p>Carburetor adjustment - High speed mixture</p>
	<p>Use anti-slip and sturdy footwear.</p>		<p>Priming pump</p>
	<p>Indicate handle location. Do not attach handle above this point.</p>		<p>Guaranteed Sound power level</p>
<p>Before using your machine</p> <ul style="list-style-type: none"> •Read the manual carefully. •Check that the cutting equipment is correctly assembled and adjusted. •Start the unit and check the carburetor adjustment. See "Maintenance". 		<p>⚠ WARNING The engine exhaust from this product contains chemicals known to the State of California to cause cancer, birth defects and other reproductive harm.</p>	

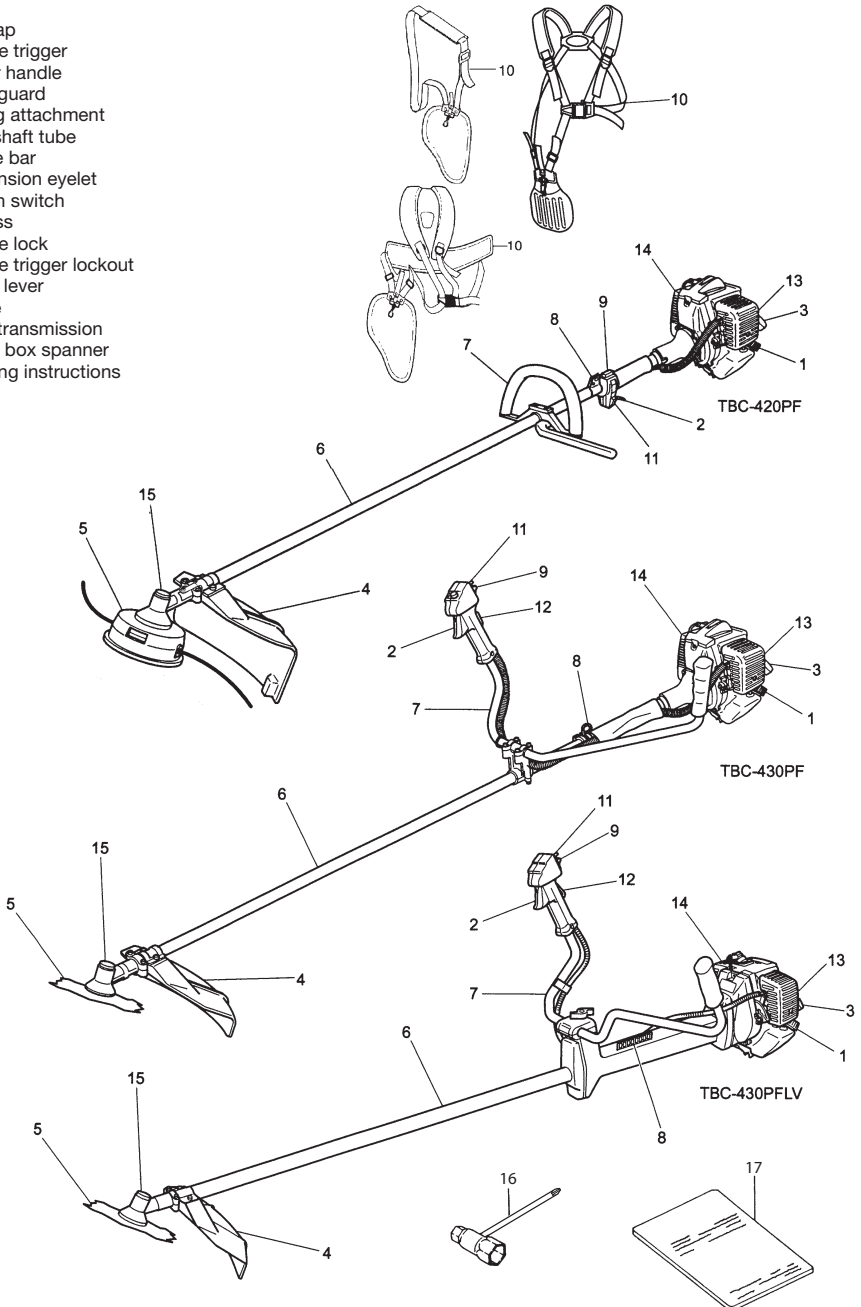
Index

What is what?.....	2
Warnings and safety instructions	3
Specifications	4
Assembly procedures.....	5
Operating procedures	6
Maintenance	7

What is what?

Since this manual covers several models, there may be some difference between pictures and your unit. Use the instructions that apply to your unit.

1. Fuel cap
2. Throttle trigger
3. Starter handle
4. Blade guard
5. Cutting attachment
6. Drive shaft tube
7. Handle bar
8. Suspension eyelet
9. Ignition switch
10. Harness
11. Throttle lock
12. Throttle trigger lockout
13. Choke lever
14. Engine
15. Angle transmission
16. Combi box spanner
17. Handling instructions



Warnings and safety instructions

Pay special attention to statements preceded by the following words:

⚠ WARNING!
Indicates a strong possibility of severe personal injury or loss of life, if instructions are not followed.

CAUTION!
Indicates a possibility of personal injury or equipment damage, if instructions are not followed.

NOTE!
Helpful information for correct function and use.

Operator safety

- Always wear a safety face shield or goggles.
- Always wear heavy, long pants and non-slip boots and gloves. Do not wear loose clothing, jewelry, short pants, sandals or go barefoot. Secure hair so it is above shoulder length.
- Do not operate this tool when you are tired, ill or under the influence of alcohol, drugs or medication.
- Never let a child or inexperienced person operate the machine.
- Wear hearing protection. Pay attention to your surroundings. Be aware of any bystanders who may be signaling a problem. Remove safety equipment immediately upon shutting off engine.
- Wear head protection.
- Never start or run the engine inside a closed room or building. Breathing exhaust fumes can kill.
- Keep handles free of oil and fuel.
- Keep hands away from cutting equipment.
- Do not grab or hold the unit by the cutting equipment.
- Always wear gloves when assembling or disassembling the cutting attachment, otherwise serious personal injury may result.
- When the unit is turned off, make sure the cutting attachment has stopped before the unit is set down.
- When operation is prolonged, take a break from time to time so that you may avoid possible whitefinger disease which is caused by vibration.

⚠ WARNING!
Antivibration systems do not guarantee that you will not sustain whitefinger disease or carpal tunnel syndrome. Therefore, continual and regular users should monitor closely the condition of their hands and fingers. If any of the above symptoms appear, seek medical advice immediately.

⚠ WARNING!
If you are using any medical electric/electronic devices such as a pacemaker, consult your physician as well as the device manufacturer prior to operating any power equipment.

Unit / machine safety

- Inspect the entire unit/machine before each use. Replace damaged parts. Check for fuel leaks and make sure all fasteners are in place and securely tightened.
- Replace parts that are cracked, chipped or damaged in any way before using the unit/machine.
- Make sure blade guard is properly attachment.
- Keep others away when making carburetor adjustments.
- Use only accessories as recommended for this unit/machine by the manufacturer.

⚠ WARNING!
Never modify the unit/machine in any way. Do not use your unit/machine for any job except that for which it is intended.

Fuel safety

- Mix and pour fuel outdoors and where there are no sparks or flames.
- Use a container approved for fuel.
- Do not smoke or allow smoking near fuel or the unit/machine or while using the unit/machine.
- Wipe up all fuel spills before starting engine.

- Move at least 3 m away from fueling site before starting engine.
- Stop engine before removing fuel cap.
- Empty the fuel tank before storing the unit/machine. It is recommended that the fuel be emptied after each use. If fuel is left in the tank, store so fuel will not leak.
- Store unit/machine and fuel in area where fuel vapors cannot reach sparks or open flames from water heaters, electric motors or switches, furnaces. etc.

⚠ WARNING!
Fuel is easy to ignite or get explosion or inhale fumes, so that pay special attention when handling or filling fuel.

Cutting safety

- Do not cut any material other than grass and brush.
- Inspect the area to be cut before each use. Remove objects which can be thrown or become entangled.
- For respiratory protection, wear an aerosol protection mask when cutting the grass after insecticide is scattered.
- Keep others including children, animals, bystanders and helpers outside the 15 m hazard zone. Stop the engine immediately if you are approached.
- Always keep the engine on the right side of your body.
- Hold the unit/machine firmly with both hands.
- Keep firm footing and balance. Do not over-reach.
- Keep all parts of your body away from the muffler and cutting attachment when the engine is running.
- Keep cutting attachment below waist level.
- When relocating to a new work area, be sure to shut off the machine and ensure that all cutting attachments are stopped.
- Never place the machine on the ground when running.
- Always ensure that the engine is shut off and any cutting attachments have completely stopped before clearing debris or removing grass from the cutting attachment.
- Always carry a first-aid kit when operating any power equipment.
- Never start or run the engine inside a closed room or building and/or near the inflammable liquid. Breathing exhaust fumes can kill.
- Please use the unit/machine in accordance with state and local legislation.

Maintenance safety

- Maintain the unit/machine according to recommended procedures.
- Disconnect the spark plug before performing maintenance except for carburetor adjustments.
- Keep others away when making carburetor adjustments.
- Use only genuine Tanaka replacement parts as recommended by the manufacturer.

CAUTION!
Do not disassemble the recoil starter. You may get a possibility of personal injury with recoil spring.

⚠ WARNING!
Improper maintenance could result in serious engine damage or in serious personal injury.

Transport and storage

- Carry the unit/machine by hand with the engine stopped and the muffler away from your body.
- Allow the engine to cool, empty the fuel tank, and secure the unit/machine before storing or transporting in a vehicle.
- Empty the fuel tank before storing the unit/machine. It is recommended that the fuel be emptied after each use. If fuel is left in the tank, store so fuel will not leak.
- Store unit/machine out of the reach of children.
- Clean and maintenance the unit carefully and store it in a dry place
- Make sure engine switch is off when transporting or storing.
- When transporting in a vehicle or storage, cover blade with blade cover.

If situations occur which are not covered in this manual, take care and use common sense. Contact Tanaka dealer if you need assistance.

Specifications

MODEL		TBC-420PF	TBC-430PF	TBC-430PFLV
Engine				
Displacement (cm ³) (ml)		39.8 (2.43 cu.in)		
spark plug		NGK RCJ8Y or equivalent		
Idling speed (min ⁻¹)		2,800		
Recommended max. speed (min ⁻¹)		11,500		
Speed of output shaft (min ⁻¹)		8,700		
Max. engine output (kW)		1.28 kw (@6,500 min ⁻¹)		
Fuel tank capacity (cm ³) (ml)		1,000 (33.8 fl. oz)		
Dry weight (kg)		7.3 (16.1 lbs)	7.7 (16.9 lbs)	8.3 (18.3 lbs)
Cutting attachment	Type / Dia.(mm)	Nylon cord	Metal blade 3Tx255	Metal blade 3Tx305
Sound pressure level LpA (dB (A))	(ISO 22868)			
	Equivalent	99.2	99.2	95.5
	Uncertainty	3	3	3
Measured Sound power level LwA (dB (A))	(ISO 22868)			
	Equivalent	112	108	108
Guaranteed Sound Power level LwA (dB (A))	(2000/14/EC)			
	Racing	116	116	116
Vibration level (m/s ²)	(ISO 22867)			
Equivalent (Front handle/Left handle)		3.9	3.4	3.4
Equivalent (Rear handle/Right handle)		2.7	4.3	2.6
Uncertainty		1.5	1.5	1.5
Idling (Front handle/Left handle)		3.0	3.4	3.6
Idling (Rear handle/ Right handle)		2.8	3.3	2.3
Racing (Front handle/Left handle)		4.5	3.4	3.3
Racing (Rear handle/ Right handle)		2.5	5.2	2.9

NOTE : Sound levels are calculated as the time-weighted energy total under various working conditions with the following time distribution: 1/2 idle, 1/2 racing.

* All data subject to change without notice.

Assembly procedures

Drive shaft to engine (Fig. 1)

Attach the engine to the clutch case (2) with the four screws or bolts (1) provided.

Installation of handle (Fig. 2)

Attach the handle to the drive shaft tube with the angle towards the engine. Adjust the location to the most comfortable position but not too close to power head before operation.

NOTE!

If your unit has handle location label on drive shaft tube, follow indication.

Installation of handle (Fig. 3, 4)

Remove the handle bracket (1) from the assembly. (Fig. 3)
Place the handles and attach the handle bracket with four bolts lightly. Adjust to appropriate position. Then fix it firmly with the bolts.

Unhook the hip pad and wrap the tubed stop cords and throttle wire (1) with it. (Fig. 6)

NOTE for TBC-430PFLV (Fig. 5, 6)

The drive shaft and the engine of this model are pre-assembled at the factory. All you have to do is attach throttle grip on the handle with a screw and a nut and then install it on the handle brackets. Finger-tighten the knob nut securely.

Throttle wire / stop cord

Remove air cleaner cover. (Fig. 7)
Connect stop cords. (Fig. 8)
Connect throttle wire end to carburetor. (Fig. 8)
Cover throttle wire and stop cords together with protective tube provided up to air cleaner cover. (Fig. 9)

Installation of blade guard (Fig. 10)

NOTE!

The guard bracket may come already mounted to the gear case on some models.

Install the blade guard on drive shaft tube against angle transmission. Tighten the guard bracket firmly so that the blade guard does not swing or move down during operation.

CAUTION!

Some blade guards are equipped with sharp line limiters. Be careful with handling it.

NOTE! (Fig. 10)

When using Tanaka aluminum head (CH-100 or CH-300) on your unit, the sharp line limiter (2) (if so equipped) which is included in the tool bag, should be securely fastened to the blade guard using the bolt shown (3).

When using a trimmer head with two piece type blade guard, attach the guard extension to the blade guard. (Fig. 11)

NOTE!

When attaching the guard extension to the blade guard, the sharp line limiter must be removed from the blade guard, (if so installed).

NOTE!

If your unit has guard location label on drive shaft tube, follow the indication.

NOTE!

To remove the guard extension, refer to the drawings. Wear gloves as the extension has a sharp line limiter, then push the four square tabs on the guard one by one in order. (Fig. 12)

Installation of cutting blade (Fig. 13, 14)

(If so equipped)

When installing a cutting blade, make sure that there are no cracks or any damage in it and that the cutting edges are facing the correct direction.

NOTE!

When installing cutter holder cap (1), be sure to set concave side upward.

Insert the allen wrench (2) into the hole of the angle transmission in order to lock the cutter holder (3). Please note that the cutter fixing bolt or nut (4) has left-handed threads, (clockwise to loosen/ counter-clockwise to tighten). Tighten the fixing bolt or nut with the combi box spanner.

NOTE!

If your unit is of a nut securing type and equipped with a cotter pin, the blade must be retained with a new cotter pin (5) each time installed. (Fig. 15)

CAUTION!

Before operation, make sure the blade has been properly installed.

CAUTION!

If your unit is equipped with protection cover under a cutting blade, check it for wear or cracks before operation. If any damage or wear is found, replace it, as it is an article of consumption.

Installation of semi-auto cutting head

NOTE!

For installation see your Owner's manual, provided with the cutting head.

⚠ WARNING!

For outstanding performance and reliability, always use Tanaka nylon cutting line. Never use wire or other materials that could become a dangerous projectile.

Installation of the BRAIN cutting head

NOTE!

For installation see your BRAIN Owner's manual, provided with the BRAIN cutting head.

⚠ WARNING!

For Tanaka BRAIN heads or Tanaka alloy head, use only flexible, non-metallic line recommended by the manufacturer. Never use wire or wire ropes. They can break off and become a dangerous projectile.

NOTE!

When using Tanaka alloy head (CH-100), initial cutting line length should be about 17cm each. (Fig. 16)

Operating procedures

Fuel (Fig. 17)**⚠ WARNING!**

- **The trimmer is equipped with a two-stroke engine. Always run the engine on fuel, which is mixed with oil. Provide good ventilation, when fueling or handling fuel.**
- **Fuel contains highly flammable and it is possible to get the serious personal injury when inhaling or spilling on your body. Always pay attention when handling fuel. Always have good ventilation when handling fuel inside building.**

Fuel

- Always use branded 89 octane unleaded gasoline.
- Use genuine two-cycle oil or use a mix between 25:1 to 50:1, please consult the oil bottle for the ratio or Tanaka dealer.
- Only for the state of California at 50:1.
- If genuine oil is not available, use an anti-oxidant added quality oil expressly labeled for air-cooled 2-cycle engine use (JASO FC GRADE OIL or ISO EGC GRADE). Do not use BIA or TCW (2-stroke water-cooling type) mixed oil.
- Never use multi-grade oil (10 W/30) or waste oil.
- Always mix fuel and oil in a separate clean container.

Always start by filling half the amount of gasoline, which is to be used.

Then add the whole amount of oil. Mix (shake) the fuel mixture. Add the remaining amount of gasoline.

Mix (shake) the fuel-mix thoroughly before filling the fuel tank. Mixing amount of two-cycle oil and gasoline

Gasoline (Liter)	Two-cycle oil (ml)	
	Ratio 50:1	Ratio 25:1
0.5	10	20
1	20	40
2	40	80
4	80	160

Fueling**⚠ WARNING!**

- **Always shut off the engine before refueling.**
- **Slowly open the fuel tank, when filling up with fuel, so that**

possible over-pressure disappears.

- **Tighten the fuel cap carefully, after fueling.**
- **Always move the trimmer at least 3 m (10 ft.) from the fueling area before starting.**
- **Always Wash any spilled fuel from clothing immediately with soap.**
- **Be sure to check any fuel leaking after refueling.**

Before fueling, clean the tank cap area carefully, to ensure that no dirt falls into the tank. Make sure that the fuel is well mixed by shaking the container, before fueling.

Starting (Fig. 18, 19, 20, 21)**CAUTION!**

Before starting, make sure the cutting attachment does not touch anything.

1. Set ignition switch (1) to ON position. (Fig. 18, 19)
 - * Push priming bulb (4) several times so that fuel flows through return pipe (5) (if so equipped) (Fig. 20)
2. With the throttle trigger lockout (2) pressed (if so equipped), pull throttle trigger and push throttle lock (3), then slowly release the throttle trigger then throttle trigger lockout. This will lock the throttle in starting position. (Fig. 18, 19)
3. Set choke lever to CLOSED position (4). (Fig. 21)
4. Pull recoil starter briskly, taking care to keep the handle in your grasp and not allowing it to snap back.
5. When you hear the engine want to start, return choke lever to RUN position (open). Then pull recoil starter briskly again.

NOTE!

If engine does not start, repeat procedures from 2 to 5.

6. After starting engine, pull throttle trigger to release throttle lock. Then allow the engine about 2-3 minutes to warm up before subjecting it to any load.

Cutting (Fig. 22, 23, 24, 25)

- When cutting, operate engine at over 6500 rpm. Extended time of use at low rpm may wear out the clutch prematurely.
- Cut grass from right to left.
- Blade thrust may occur when the spinning blade contacts a solid object in the critical area. A dangerous reaction may occur causing the entire unit and operator to be thrust violently. This reaction is called BLADE THRUST. As a result, the operator may lose control of the unit which may cause serious or fatal injury. Blade thrust is more likely to occur in areas where it is difficult to see the material to be cut.
- Wear the harness as shown in the figure (if so equipped). The blade turns counter-clockwise, therefore, be advised to operate the unit from right to left for efficient cutting. Keep onlookers out of working area at least 15 m (50 ft.).

NOTE!

Press the quick release button or pull emergency release flap (if so

equipped) in the event of emergency. (Fig. 24)

⚠ WARNING!

If cutting attachment should strike against stones or other debris, stop the engine and make sure that the attachment and related parts are undamaged. When grass or vines wrap around attachment, stop engine and attachment and remove them.

Stopping (Fig. 26)

- Decrease engine speed and run at an idle for a few minutes, then turn off ignition switch.

⚠ WARNING!

A cutting attachment can injure while it continues to spin after the engine is stopped or power control is released.

When the unit is turned off, make sure the cutting attachment has stopped before the unit is set down.

Maintenance

MAINTENANCE, REPLACEMENT, OR REPAIR OF THE EMISSION CONTROL DEVICES AND SYSTEMS MAY BE PERFORMED BY ANY NON-ROAD ENGINE REPAIR ESTABLISHMENT OR INDIVIDUAL.

Carburetor adjustment (Fig. 27)

⚠ WARNING!

The cutting attachment may be spinning during carburetor adjustments.

⚠ WARNING!

Never start the engine without the complete clutch cover and tube assembled! Otherwise the clutch can come loose and cause personal injuries.

In the carburetor, fuel is mixed with air. When the engine is test run at the factory, the carburetor is basically adjusted. A further adjustment may be required, according to climate and altitude. The carburetor has one adjustment possibility:

T = Idle speed adjustment screw.

Idle speed adjustment (T)

Check that the air filter is clean. When the idle speed is correct, the cutting attachment will not rotate. If adjustment is required, close (clockwise) the T-screw, with the engine running, until the cutting attachment starts to rotate. Open (counter-clockwise) the screw until the cutting attachment stops. You have reached the correct idle speed when the engine runs smoothly in all positions well below the rpm when the cutting attachment starts to rotate.

If the cutting attachment still rotates after idle speed adjustment, contact Tanaka dealer.

NOTE!

Standard Idle rpm is 2,500–3,000 min⁻¹.

NOTE!

Some models sold areas with strict exhaust emission regulation do not have high and low speed carburetor adjustments. Such adjustments may allow the engine to be operated outside of their emission compliance limits. For these models, the only carburetor adjustment is idle speed.

For models that equipped with low and high speed adjustments; carburetors are pre set at the factory. Minor adjustments may optimize performance based on climate, altitude, etc. Never turn the adjustment screws in increments greater than 90 degrees, as engine damage can result from incorrect adjustment. If you are not familiar with type of adjustment—assistance Tanaka dealer.

⚠ WARNING!

When the engine is idling the cutting attachment must under no circumstances rotate.

Air filter (Fig. 28)

The air filter must be cleaned from dust and dirt in order to avoid:

- Carburetor malfunctions.
- Starting problems.
- Engine power reduction.
- Unnecessary wear on the engine parts.
- Abnormal fuel consumption.

Clean the air filter daily or more often if working in exceptionally dusty areas.

Cleaning the air filter

Remove the air filter cover and the filter (1). Rinse it in warm soap suds. Check that the filter is dry before reassembly. An air filter that has been used for some time cannot be cleaned completely. Therefore, it must regularly be replaced with a new one. A damaged filter must always be replaced.

Fuel filter (Fig. 29)

Drain all fuel from fuel tank and pull fuel filter line from tank. Pull filter element out of holder assembly and rinse element in warm water with detergent.

Rinse thoroughly until all traces of detergent are eliminated. Squeeze, do not wring, away excess water and allow element to air dry.

NOTE!

If element is hard due to excessive dirt buildup, replace it.

Spark plug (Fig. 30)

The spark plug condition is influenced by:

- An incorrect carburetor setting.
- Wrong fuel mixture (too much oil in the gasoline)
- A dirty air filter.
- Hard running conditions (such as cold weather).

These factors cause deposits on the spark plug electrodes, which

may result in malfunction and starting difficulties. If the engine is low on power, difficult to start or runs poorly at idling speed, always check the spark plug first. If the spark plug is dirty, clean it and check the electrode gap. Re-adjust if necessary. The correct gap is 0.6 mm. The spark plug should be replaced after about 100 operation hours or earlier if the electrodes are badly eroded.

NOTE!

In some areas, local law requires using a resistor spark plug to suppress ignition signals. If this machine was originally equipped with resistor spark plug, use same type of spark plug for replacement.

Angle transmission (Fig. 31)

Check angle transmission or angle gear for grease level about every 50 hours of operation by removing the grease filler plug on the side of angle transmission.

If no grease can be seen on the flanks of the gears, fill the transmission with quality lithium based multipurpose grease up to 3/4. Do not completely fill the transmission.

Blade (Fig. 32)

⚠ WARNING!

Wear protective gloves when handling or performing maintenance on the blade.

- Use a sharp blade. A dull blade is more likely to snag and thrust. Replace the fastening nut if it is damaged and hard to tighten.
- When replacing blade, purchase one recommended by Tanaka, with a 25.4mm (one inch) fitting hole.
- When installing saw blade (2), always face the stamped side up. In the case of a 3 or 4 tooth blade (1), it can be used on either side.
- Use correct blade for the type of work.
- When replacing blade, use appropriate tools.
- When cutting edges become dull, re-sharpen or file as shown in figure. Incorrect sharpening may cause excessive vibration.
- Discard blades that are bent, warped, cracked, broken or damaged in any way.

NOTE!

When sharpening blade it is important to maintain an original shape of radius at the base of the tooth to avoid cracking.

Maintenance schedule

Below you will find some general maintenance instructions. For further information please contact Tanaka dealer.

Daily maintenance

- Clean the exterior of the unit.
- Check that the harness is undamaged.
- Check the blade guard for damage or cracks. Change the guard in case of impacts or cracks.
- Check that the cutting attachment is properly centred, sharp, and

without cracks. An off-centred cutting attachment induces heavy vibrations that may damage the unit.

- Check that the cutting attachment nut is sufficiently tightened.
- Make sure that the blade transport guard is undamaged and that it can be securely fitted.
- Check that nuts and screws are sufficiently tightened.

Weekly maintenance

- Check the starter, especially cord.
- Clean the exterior of the spark plug.
- Remove the spark plug and check the electrode gap. Adjust it to 0.6 mm or change the spark plug.
- Check that the air intake at the starter is not clogged.
- Check that the angle gear is filled with grease up to 3/4.
- Clean the air filter.

Monthly maintenance

- Rinse the fuel tank with gasoline, and clean fuel filter.
- Clean the exterior of the carburetor and the space around it.

Quarterly maintenance

- Clean the cooling fins on the cylinder.
- Clean the fan and the space around it.
- Clean the muffler of carbon.












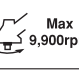





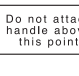

CAUTION

Cleaning of cylinder fins, fan and muffler shall be done by a Tanaka Authorized dealer.

Spark arrestor

If your unit comes with spark arrestor screen and yet your local regulation requires use of spark arrestor for prevention against a possible fire, please attach it to the muffler by removing muffler protector and other related parts. (The spark arrestor meets the regulation of SAE J335-SEP90 and CSA CAN3-Z62 1-M77.)

Symbolbedeutungen**HINWEIS** : Nicht alle Geräte sind mit diesen Symbolen versehen.

	Symbole ⚠️ WARNUNG! Die folgenden Symbole werden für diese Maschine verwendet. Achten Sie darauf, diese vor der Verwendung zu verstehen.	
	Es ist wichtig, dass Sie sich mit den nachfolgenden Vorsichtsmaßnahmen und Warnungen vertraut machen und diese befolgen. Unvorsichtige oder unsachgemäße Handhabung des Geräts kann schwere oder tödliche Verletzungen zur Folge haben.	
	Lesen, verstehen und befolgen Sie alle Warnungen und Anweisungen in dieser Anleitung und am Gerät selbst.	Ein Messerstoß ist möglich, wenn das rotierende Messer im kritischen Bereich mit einem massiven Gegenstand in Berührung kommt. In diesem Fall kann es zu einer gefährlichen Reaktion kommen, bei der das gesamte Gerät und der Bediener einem heftigen Stoß ausgesetzt werden. Diese Erscheinung wird als MESSERSTOß bezeichnet. Das Resultat ist u.U., dass der Bediener die Kontrolle über das Gerät verliert und schwere oder lebensgefährliche Verletzungen davonträgt. Messerstöße sind wahrscheinlicher in Arbeitsbereichen, wo das zu schneidende Vegetationsmaterial nur schwer einsehbar ist.
	Bei Gebrauch des Geräts immer Gesichts-, Kopf- und Gehörschutz tragen.	
	Wenn dieses Zeichen am Gerät angegeben ist, keine starren Metallmesser verwenden.	
	Kinder und Zuschauer in einem Abstand von 15m vom Gerät halten. Falls sich jemand nähern sollte, den Motor und das Zubehör sofort ausschalten.	
	Auf Müllobjekte achten.	
	Zeigt maximale Drehzahl der Welle an. Kein Schneidzubehör verwenden, dessen Drehzahl unter diesem Wert liegt.	
	Handschuhe sind dann zu tragen, wenn dies notwendig ist, z.B. bei der Montage der Schneidausrüstung.	
	Rutschfestes Schuhwerk, das guten Halt bietet., tragen.	
	Es bezeichnet den Platz der Griffstange. Richten Sie die Griffstange oberhalb dieses Punktes nicht ein.	
Vor dem Gebrauch Ihres neuen Gerätes <ul style="list-style-type: none"> • Bedienungsanleitung genau durchlesen. • Montage und Einstellung der Schneidausrüstung kontrollieren. • Das Gerät starten und die Vergasereinstellung prüfen. Siehe "Wartung". 	⚠️ WARNUNG! Die von diesem Produkt erzeugten Abgase enthalten Stoffe, die vom Bundesstaat Kalifornien als Erreger von Krebs, Geburtsfehlern und anderen Fortpflanzungsschäden angesehen werden.	

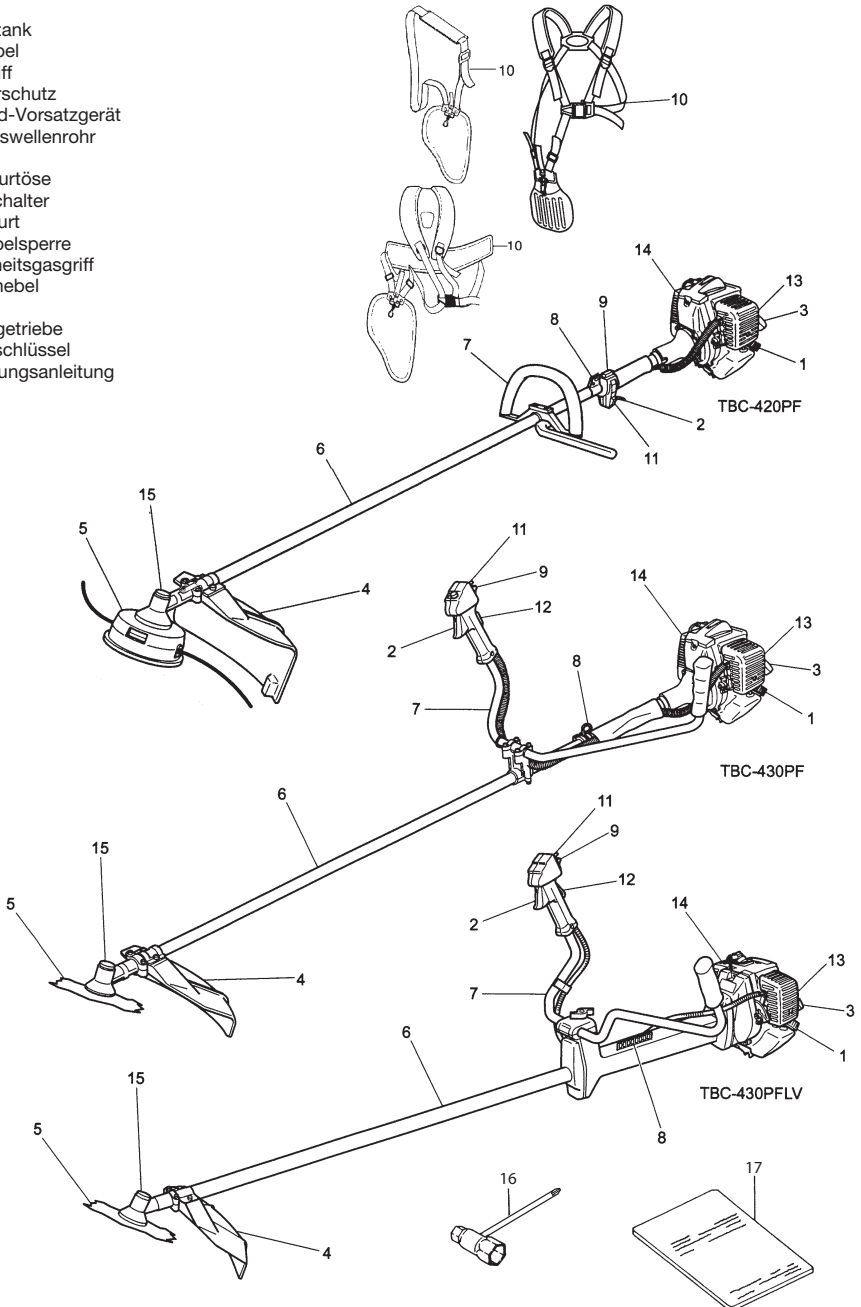
Inhalt

Teilebezeichnungen	2
Warn- und Sicherheitshinweise	3
Technische Daten	4
Zusammenbau	5
Betrieb	6
Wartung	7

Teilebezeichnungen

Da dieses Handbuch für mehrere Modelle gilt, können die Abbildungen gegebenenfalls von Ihrem Gerät abweichen. Verwenden Sie die für Ihr Gerät geltenden Anweisungen.

1. Benzintank
2. Gashebel
3. Startgriff
4. Messerschutz
5. Schneid-Vorsatzgerät
6. Antriebswellenrohr
7. Griff
8. Tragegurtöse
9. Zündschalter
10. Tragegurt
11. Gashebelsperre
12. Sicherheitsgasgriff
13. Chokehebel
14. Motor
15. Winkelgetriebe
16. Kombischlüssel
17. Bedienungsanleitung



Warn- und Sicherheitshinweise

Abschnitte, denen besondere Aufmerksamkeit gewidmet werden sollte, werden durch folgende Wörter hervorgehoben:

⚠️ WARNUNG
Kennzeichnet Anweisungen, deren Nichtbefolgung eine schwere Verletzung oder den Tod zur Folge haben kann.

VORSICHT
Kennzeichnet Anweisungen, deren Nichtbefolgung eine Verletzung oder Sachschaden zur Folge haben kann.

HINWEIS
Kennzeichnet nützliche Informationen für den vorschriftsmäßigen Gebrauch.

Bedienersicherheit

- Immer einen Gesichtsschutz bzw. eine Schutzbrille tragen.
- Tragen Sie immer dicke, lange Hosen, rutschfeste Schuhe und Handschuhe. Das Arbeiten mit lockerer Kleidung, Schmuck, kurzen Hosen, Sandalen oder barfuß ist zu vermeiden. Das Haar ist so zu sichern, dass es nicht bis zu den Schultern herunterhängt.
- Das Gerät darf nicht von Personen bedient werden, die übermüdet oder krank sind oder unter Alkohol- oder Medikamenteneinfluss stehen.
- Unter keinen Umständen zulassen, dass ein Kind oder eine unerfahrene Person mit dem Gerät arbeitet.
- Gehörschutz tragen. Die Umgebung im Auge behalten. Auf Beistehende achten, die unter Umständen ein Problem signalisieren. Die Schutzbekleidung erst nach Abstellen des Motors wieder ablegen.
- Der Motor darf nie innerhalb geschlossener Räume oder Gebäude gestartet bzw. betrieben werden. Einatmen der Abgase kann den Tod zur Folge haben.
- Die Griff e frei von Öl und Kraftstoff halten.
- Hände von den Schneiden fernhalten.
- Das Gerät nicht an der Schneidgarmitur fassen bzw. halten.
- Beim Zusammenbauen oder Zerlegen des Schneidaufsatzes immer Handschuhe tragen, da sonst ernsthafte Verletzungen entstehen könnten.
- Das Gerät nach dem Ausschalten des Motors erst am Boden abstellen, wenn das Schneidwerkzeug zum Stillstand gekommen ist.
- Bei Dauereinsatz von Zeit zu Zeit eine Pause einlegen als vorbeugende Maßnahme gegen die Weißfi ngerkrankheit, die durch ständige Vibration verursacht wird.

⚠️ WARNUNG
Vibrationsdämpfungssysteme sind kein garantierter Schutz gegen die Weißfi ngerkrankheit bzw. das Karpalunnelsyndrom. Daher ist bei regelmäßigem Dauereinsatz des Geräts der Zustand von Fingern und Handwurzel aufmerksam zu beobachten. Falls Symptome der obengenannten Krankheiten auftreten, sofort einen Arzt aufsuchen.

⚠️ WARNUNG
Träger eines medizinischen elektrischen bzw. elektronischen Geräts (Herzschrittmacher u. dgl.) sollten sich vor dem Gebrauch eines Motorgeräts von Ihrem Arzt sowie dem Hersteller des Geräts diesbezüglich beraten lassen.

Geräte-/Maschinensicherheit

- Das Gerät vor jedem Einsatz einer eingehenden Kontrolle unterziehen. Beschädigte Teile ersetzen. Das Gerät auf auslaufenden Kraftstoff untersuchen und sicherstellen, dass alle Befestigungsteile vorhanden und sicher angezogen sind.
- Gerissene, ausgebrochene oder auf andere Weise beschädigte Teile sind vor dem Einsatz des Gerätes durch neue zu ersetzen.
- Achten Sie darauf, dass der Klingenschutz ordnungsgemäß befestigt ist.
- Während der Vergasereinstellung dürfen sich andere Personen nicht in der Nähe aufhalten.
- Nur das vom Hersteller für dieses Gerät empfohlene Zubehör darf verwendet werden.

⚠️ WARNUNG
Keinesfalls das Gerät in irgendeiner Weise abändern. Das Gerät nur für die Zwecke verwenden, für die es bestimmt ist.

Kraftstoffsicherheit

- Kraftstoff im Freien und von Funken und Feuer entfernt mischen und einfüllen.
- Einen für Kraftstoff e zugelassenen Behälter verwenden.
- In der Nähe des Kraftstoff s, des Geräts sowie beim Arbeiten mit dem Gerät ist das Rauchen zu unterlassen.
- Vor dem Starten des Motors muss eventuell verschütteter Kraftstoff restlos entfernt werden.

- Zum Starten des Motors das Gerät mindestens 3 m von der Kraftstoff einfüllstelle entfernen.
- Vor dem Abnehmen des Tankdeckels den Motor ausschalten.
- Vor der Einlagerung des Geräts den Kraftstoff tank leeren. Es wird empfohlen, den Kraftstoff nach jedem Einsatz abzulassen. Mit gefülltem Tank ist das Gerät so zu lagern, dass kein Kraftstoff ausläuft.
- Gerät und Kraftstoff an einem Ort lagern, wo Kraftstoff dämpfe nicht mit Funken oder off enen Flammen von Wassererhitzern, Elektromotoren oder elektrischen Schaltern, Öfen usw. in Berührung kommen können.

⚠️ WARNUNG!
Kraftstoff ist leicht entfl ammbar, kann explodieren und schadet den Atemwegen, weshalb bei der Handhabung von und der Befüllung mit Kraftstoff entsprechend vorzugehen ist.

Schneidsicherheit

- Das Gerät nur zum Mähen von Gras und zum Schneiden von Buschwerk und Unterholz einsetzen.
- Vor jedem Gebrauch die zu mähende Fläche inspizieren. Gegenstände entfernen, die hochgeschleudert werden oder sich im Mähkopf verfangen könnten.
- Zum Schutz der Atmungsorgane beim Mähen von Gras, auf dem Insektenvernichtungsmittel versprüht wurde, eine Aerosolschutzmaske tragen.
- Kinder, Tiere, Umstehende, Helfer usw. dürfen sich nicht innerhalb der 15 m-Gefahrenzone aufhalten. Den Motor sofort abstellen, wenn sich jemand nähert.
- Der Motor muss sich immer auf der rechten Körperseite befinden.
- Gerät fest mit beiden Händen halten.
- Auf sicheren Stand und gutes Gleichgewicht achten. Nicht zu weit vorbeugen.
- Schneidwerkzeug und Schalldämpfer bei laufendem Motor vom Körper fernhalten.
- Die Schneidgarmitur stets unter der Gürtellinie halten.
- Bei Standortwechseln unbedingt den Motor ausschalten und sicherstellen, dass das Schneidwerkzeug still steht.
- Das Gerät niemals mit laufendem Motor auf dem Boden abstellen.
- Vor dem Entfernen von Schmutz oder Gras vom Schneidwerkzeug den Motor ausschalten und sicherstellen, dass die Kette zum Stillstand gekommen ist.
- Beim Arbeiten mit Motorgeräten stets einen Verbandskasten mitführen.
- Der Motor darf nie innerhalb geschlossener Räume oder Gebäude und/oder in der Nähe entflammbarer Flüssigkeiten gestartet bzw. betrieben werden. Einatmen der Abgase kann den Tod zur Folge haben.
- Bitte benutzen Sie das Gerät entsprechend den Gesetzen Ihres Bundeslandes und den Vorschriften Ihrer örtlichen Behörden.

Wartungssicherheit

- Das Gerät vorschriftsmäßig warten.
- Vor Durchführung von Wartungsarbeiten die Zündkerze entfernen, sofern es sich nicht um eine Vergasereinstellung handelt.
- Während der Vergasereinstellung dürfen sich andere Personen nicht in der Nähe aufhalten.
- Nur Original-Ersatzteile von Tanaka verwenden, wie vom Hersteller empfohlen.

VORSICHT

Den Zugstarter nicht zerlegen. Die Feder der Vorrichtung kann Verletzungen verursachen.

⚠️ WARNUNG
Fehlerhafte Wartung kann eine schwere Beschädigung des Motors oder eine schwere Verletzung zur Folge haben.

Transport und Lagerung

- Das Gerät mit ausgeschaltetem Motor tragen und den Schalldämpfer vom Körper fernhalten.
- Den Motor abkühlen lassen, den Kraftstoff tank entleeren und das Gerät sichern, bevor es gelagert oder in einem Fahrzeug transportiert wird.
- Vor der Einlagerung des Geräts den Kraftstoff tank leeren. Es wird empfohlen, den Kraftstoff nach jedem Einsatz abzulassen. Mit gefülltem Tank ist das Gerät so zu lagern, dass kein Kraftstoff ausläuft.
- Das Gerät so lagern, dass es nicht in Kinderhände gerät.
- Das Gerät sorgfältig reinigen und warten, um es dann an einem trockenen Ort zu lagern.
- Bei Transport oder Lagerung darauf achten, dass der Zündschalter ausgeschaltet ist.
- Beim Transport in einem Fahrzeug den Klingenschutz auf die Klinge aufsetzen.

In Situationen, die nicht in dieser Anleitung behandelt sind, entsprechende Vor- und Umsicht walten lassen. Sollten Sie Hilfe benötigen, wenden Sie sich an Ihren Tanaka-Fachhändler.

Tenchnische Daten

MODELL		TBC-420PF	TBC-430PF	TBC-430PFLV
Motor				
Hubvolumen (cm ³) (ml)		39.8 (2.43 cu.in)		
Zündkerze		NGK RCJ8Y oder äquivalen		
Leerlaufdrehzahl (min ⁻¹)		2,800		
Empfohlene Maximaldrehzahl (min ⁻¹)		11,500		
Drehzahl der Ausgangswelle (min ⁻¹)		8,700		
Max. Motorleistung (kW)		1.28 kw (@6,500 min ⁻¹)		
Kraftstoff tankvolumen (cm ³) (ml)		1,000 (33.8 fl. oz)		
Trockengewicht (kg)		7.3 (16.1 lbs)	7.7 (16.9 lbs)	8.3 (18.3 lbs)
Schneid-Vorsatzgerät Typ / Durchm.(mm)		Nylonfaden	Metallklinge 3Tx255	Metallklinge 3Tx305
Schalldruckpegel (ISO 22868) LpA (dB (A))		Äquivalen 99.2	99.2	95.5
Unsicherheit		3	3	3
Gemessener Schallpegel (ISO 22868) LwA (dB (A))		Äquivalen 112	108	108
Unsicherheit				
Garantierter Schallpegel (2000/14/EC) LwA (dB (A))		Volllast 116	116	116
Vibrationspegel (m/s ²) (ISO 22867)				
Äquivalent (Vorderer / linker Griff)		3.9	3.4	3.4
Äquivalent (Hinterer / rechter Griff)		2.7	4.3	2.6
Unsicherheit		1.5	1.5	1.5
Leerlauf (Vorderer / linker Griff)		3.0	3.4	3.6
Leerlauf (Hinterer / rechter Griff)		2.8	3.3	2.3
Volllast (Vorderer / linker Griff)		4.5	3.4	3.3
Volllast (Hinterer / rechter Griff)		2.5	5.2	2.9

HINWEIS : Die entsprechenden Geräusch-/Vibrationspegel werden als zeitgewichtete Energiesumme für Geräusch-/Vibrationspegel unter verschiedenen Arbeitsbedingungen mit folgender Zeitaufteilung berechnet: 1/2 Leerlauf, 1/2 schnell.

* Änderung der technischen Daten jederzeit vorbehalten.

Zusammenbau

Antriebswelle und Motor (Abb. 1)

Den Motor mit den vier mitgelieferten Schrauben oder Bolzen (1) am Kupplungsgehäuse (2) montieren.

Anbringung des Handgriffs (Abb. 2)

Den Handgriff zum Motor hin geneigt an das Antriebswellenrohr an bringen.

Den Handgriff vor der Inbetriebnahme auf eine komfortable Position einstellen, welche zum Kraftkopf nicht zu nahe sein soll.

HINWEIS

Beachten Sie, falls auf Ihrem Gerät vorhanden, das Schild auf dem Antriebswellenrohr mit der Information zum richtigen Halten des Geräts.

Anbringung des Handgriffs (Abb. 3, 4)

Den Griffhalter (1) von der Einheit abnehmen. (Abb. 3)
Die Griffe ansetzen und den Griffhalter mit den vier Schrauben leicht befestigen. Den Winkel je nach Bedarf ausrichten. Dann die Schrauben festziehen.

Haken Sie das Hüftdämpfungsglied los und wickeln Sie darin die verrohrten Stoppschnüre ebenso gut wie den Gashebeldraht (1) ein. (Abb. 6)

HINWEIS zum TBC-430PFLV (Abb. 5, 6)

Die Antriebswelle und das Triebwerk dieser Ausführung wurden im Betrieb vorherig zusammengebaut. Man soll nur den Drosselgriff auf das Heft mit einer Schraube und einer Mutter festmachen und dann auf den Griffhalter errichten Befestigen Sie sicher die knopfartige Mutter mit den Fingern.

Gaszug / Stopkabel

Den Luftfilterdeckel abnehmen. (Abb. 7)
Die Stopp-Kabel anschließen. (Abb. 8)
Gaszug und Vergaser miteinander verbinden. (Abb. 8)
Den mitgelieferten Schutzschlauch über Gaszug und Stopp-Leitungen bis zum Luftfilterdeckel ziehen. (Abb. 9)

Anbringung des Messerschutzes (Abb. 10)

HINWEIS

Bei einigen Modellen wird das Getriebegehäuse bereits mit montierten Schutzhalter geliefert.

Den Messerschutz an der Winkelgetriebe Seite des Antriebswellenrohrs befestigen. Die Schutzhalterung sicher befestigen, damit der Messerschutz während der Arbeit nicht hin und her rutscht oder sich nach unten verschiebt.

VORSICHT

Manche Messerschutzmodelle sind mit einem Scharfkantenschutz ausgestattet. Gehen Sie vorsichtig damit um.

HINWEIS (Abb. 10)

Bei Verwendung eines Tanaka-Aluminiumkopfes (CH-100 oder CH-300) sollte der im Werkzeugbeutel enthaltene Scharfkantenschutz (2) (Falls vorhanden) mit Hilfe der abgebildeten Schraube (3) fest am Messerschutz befestigt werden.

Bei Verwendung eines Trimmerkopfes mit Doppelstückmesserschutz ist die Schutzverlängerung am Messerschutz anzubringen. (Abb. 11)

HINWEIS

Vor Befestigung der Schutzverlängerung am Messerschutz muss der Scharfkantenschutz (falls montiert) vom Messerschutz entfernt werden.

HINWEIS

Falls auf dem Antriebswellenrohr Ihres Geräts ein Schild mit Informationen zur Messerschutzposition angebracht ist, halten Sie sich an die Darstellung.

HINWEIS

Informationen zum Entfernen der Schutzverlängerung entnehmen Sie den Abbildungen. Wegen des Scharfkantenschutzes der Verlängerung unbedingt Handschuhe tragen. Dann die vier quadratischen Laschen am Messerschutz nacheinander hineindrücken. (Abb. 12)

Montage des Schneidmessers (Abb. 13, 14)

(Falls vorhanden)

Bei der Montage eines Schneidmessers darauf achten, dass es keine Risse oder Beschädigungen aufweist und die Schneidkanten richtig ausgerichtet sind.

HINWEIS

- Bei der Montage der Messerhaltekeppe (1) darauf achten, dass die Vertiefung nach oben zeigt.
- Den Sechskantzapfenschlüssel (2) in die Öffnung des Winkelgetriebes einführen und die Messerhalterung (3) verriegeln. Es ist zu beachten, dass der Befestigungsbolzen bzw. die Befestigungsmutter (4) über ein Linksgewinde verfügt (Lösen im Uhrzeigersinn, Anziehen gegen den Uhrzeigersinn). Den Befestigungsbolzen bzw. die Befestigungsmutter mit einem Ringschlüssel anziehen

HINWEIS

Wenn Ihr Gerät mit einer Mutter und mit einem Schließbolzen ausgerüstet ist, soll man die Klinge mit diesem Schließbolzen (5) festhalten. (Abb. 15)

VORSICHT

Vor der Inbetriebnahme überprüfen, ob das Messer ordnungsgemäß montiert ist.

VORSICHT

Wenn Ihr Gerät mit einer Schutzabdeckung unter dem Schneidmesser ausgestattet ist, überprüfen Sie es vor dem Einsatz auf Abnutzung oder Risse. Wenn Beschädigungen oder Spuren von Abnutzung zu sehen sind, tauschen Sie es aus, denn es handelt sich um ein Verschleißteil.

Anbringung des halbautomatischen Schneidkopfs

HINWEIS!

Richten Sie sich beim Anbau des Schneidkopfes bitte nach den Anweisungen in der Bedienungsanleitung.



WARNUNG!

Um erstklassige Leistung und Zurverlässigkeit zu gewährleisten, stets Nylonfäden von Tanaka verwenden. Niemals Draht oder andere Materialien verwenden, die zu gefährlichen Geschossen werden können.

Anbringung des Brain-Schneidkopfs

HINWEIS

Informationen zur Anbringung des Brain-Schneidkopfes finden Sie in der im Lieferumfang des Brain-Schneidkopfes enthaltenen Brain-Bedienungsanleitung.



WARNUNG

Für Schneidköpfe der Baureihe Tanaka Brain oder legierte Tanaka-Schneidköpfe dürfen nur die vom Hersteller empfohlenen flexiblen, nicht metallischen Züge verwendet werden. Metalldrähte oder Drahtseile sind keinesfalls zulässig.

Sie könnten reißen und zu einem gefährlichen Geschoss werden.

HINWEIS

Bei Verwendung eines legierten Tanaka-Schneidkopfs (CH-100) sollte die anfängliche Länge der Schnittlinie bei jeweils ca. 17 cm liegen. (Abb. 16)

Betrieb

Kraftstoff (Abb. 17)

⚠ WARNUNG

- **Der Trimmer ist mit einem Zweitaktmotor ausgestattet. Er muss daher mit Kraftstoff -Ölgemisch betrieben werden. Beim Handhaben von und Auftanken mit Kraftstoff ist stets für gute Belüftung zu sorgen.**
- **Kraftstoff ist stark entflammbar und kann bei Einatmen oder Hautkontakt schwere Verletzungen verursachen. Kraftstoff stets mit der gebotenen Umsicht handhaben. Bei der Handhabung von Kraftstoff in Gebäuden immer auf gute Belüftung achten.**

Kraftstoff

- Stets einen bleifreien Markenkraftstoff mit einer Oktanzahl von 89 oder höher verwenden.
- Original-Zweitaktöl oder ein fertiges Zweitaktgemisch in einem Mischungsverhältnis von 25:1 bis 50:1 verwenden. Hierzu die Anweisungen am Zweitaktölbehälter beachten oder den Tanaka-Fachhändler um Rat fragen.
- 50:1 im Bundesstaat Kalifornien.
- Sollte Original-Zweitaktöl nicht zu beschaffen sein, ein qualitativ hochwertiges Öl mit Korrosionsschutz-Additiv verwenden, das laut Beschriftung speziell für luftgekühlte Zweitaktmotoren geeignet ist (Klassifikation JASO FC oder ISO EGC). Kein BIA- oder TCW-Mischöl (für wassergekühlte Zweitakter) verwenden.
- Unter keinen Umständen Mehrbereichsöl (10 W/30) oder Altöl verwenden.
- Kraftstoff und Öl immer in einem separaten sauberen Behälter mischen.

Zuerst die Hälfte des zu verwendenden Benzins einfüllen. Dann die ganze Ölmenge. Die Kraftstoffmischung verrühren (schütteln). Das restliche Benzin hinzufügen. Die Kraftstoffmischung sorgfältig verrühren (schütteln), bevor sie in den Tank gefüllt wird. Mischungsverhältnis von Zweizyklus-Öl und Benzin

Benzin (Liter)	Zweizyklus-Öl (ml)	
	Verhältnis 50:1	Verhältnis 25:1
0,5	10	20
1	20	40
2	40	80
4	80	160

Auftanken

⚠ WARNUNG

- **Zum Auftanken immer den Motor ausschalten.**
- **Zum Auffüllen mit Kraftstoff den Kraftstoff tankdeckel langsam aufdrehen, um einen eventuellen Überdruck im Tank abzulassen.**
- **Den Kraftstoff tankdeckel nach dem Auftanken wieder fest zudrehen.**
- **Den Motor des Trimmers mindestens 3 m von der**

Auftankstelle entfernt starten.

- **Eventuell auf die Kleidung geratenen Kraftstoff sofort mit Seife auswaschen.**
- **Nach dem Auftanken sicherstellen, dass kein Kraftstoff ausläuft.**

Vor dem Betanken des Geräts den Bereich um den Tankdeckel gut säubern, damit kein Schmutz in den Tank gerät. Den Behälter vor dem Betanken schütteln, um Öl und Kraftstoff gut zu mischen.

Starten (Abb. 18, 19, 20, 21)

VORSICHT

Vor dem Anlassen sicherstellen, dass die Schneidvorrichtung nicht mit irgendwelchen Gegenständen in Berührung kommt.

1. Den Zündschalter (1) auf ON (Start) stellen. (Abb. 18, 19)
Die Ansaugpumpe (4) mehrmals betätigen, damit Kraftstoff durch das Rücklaufrohr (5) fließt. (falls vorhanden) (Abb. 20)
2. Bei gedrückter Gaszug-Auslösersperre (2) (falls vorhanden) den Gaszugauslöser ziehen und die Gaszugsperr (3) drücken. Danach langsam den Gaszugauslöser und die Gaszug-Auslösersperre lösen. Hierdurch wird der Gaszug in der Startstellung gesichert. (Abb. 18, 19)
3. Den Choke in Schließstellung CLOSED (4) schieben. (Abb. 21)
4. Den Griff des Zugstarters gut mit der Hand festhalten, um Rückschläge zu verhindern, und in kräftiger, schneller Bewegung ziehen.
5. Wenn der Motor hörbar anspringt, den Choke wieder in die normale Betriebsstellung RUN (offen) zurückschieben. Dann noch einmal kräftig am Zugstarter ziehen.

HINWEIS

- Sollte der Motor nicht anspringen, Schritte 2 bis 5 wiederholen.
6. Nach dem Anspringen des Motors am Gashebel ziehen, um den Sperrknopf zu lösen. Den Motor dann ca. 2 bis 3 Minuten warmlaufen lassen, bevor er belastet wird.

Schneiden (Abb. 22, 23, 24, 25)

- **Betreiben Sie beim Schneiden die Maschine mit einer Drehzahl von mehr als 6500 Umdrehungen pro Minute. Eine übermäßig lange Verwendung bei niedriger Drehzahl kann zum vorzeitigen Verschleiß der Kupplung führen.**
- **Gras von links nach rechts schneiden.**
- **Ein Messerstoß ist möglich, wenn das rotierende Messer im kritischen Bereich mit einem massiven Gegenstand in Berührung kommt.**
In diesem Fall kann es zu einer gefährlichen Reaktion kommen, bei der das gesamte Gerät und der Bediener einem heftigen Stoß ausgesetzt werden. Diese Reaktion wird als Messerstoß bezeichnet. Das Resultat ist u.U., dass der Bediener die Kontrolle über das Gerät verliert und schwere oder lebensgefährliche Verletzungen davonträgt. Messerstöße sind in Arbeitsbereichen, wo das zu schneidende Vegetationsmaterial nur schwer einsehbar ist, wahrscheinlicher.
- **Den Tragegurt gemäß der Abbildung anlegen (falls vorhanden).** Da sich das Messer gegen den Uhrzeigersinn dreht, wird empfohlen, das Gerät bei der Arbeit von rechts nach links zu

führen, um die bestmögliche Schneidwirkung zu erreichen. Andere Personen sollten einen Sicherheitsabstand von mindestens 15 m einhalten.

HINWEIS

Drücken Sie im Falle eines Notfalls den Schnellauslöseknopf oder ziehen Sie die Schnellauslöseklappe (falls vorhanden). (Abb. 24)

WARNUNG

Wenn die Schneidvorrichtung bei der Arbeit Steine oder andere Gegenstände berührt, den Motor ausschalten und kontrollieren, ob Messer oder sonstige Teile beschädigt worden sind. Wenn sich Gras oder Pflanzenteile in der Schneidvorrichtung verfangen haben, den Motor ausschalten und die Fremdkörper entfernen.

Stoppen (Abb. 26)

Verringern Sie die Motordrehzahl und lassen Sie den Motor einige Minuten im Leerlauf laufen, bevor Sie den Zündschalter ausschalten.

WARNUNG

Schneidwerkzeug kann auch nach dem Ausschalten des Motors oder Freigeben des Leistungsreglers Verletzungen verursachen, solange es sich weiterdreht. Das Gerät nach dem Ausschalten des Motors erst am Boden abstellen, wenn das Schneidwerkzeug zum Stillstand gekommen ist.

Wartung

WARTUNG, AUSTAUSCH ODER REPARATUR DER ABGASKONTROLLVORRICHTUNGEN UND -SYSTEME KANN VON JEDER AUF KLEINMOTOREN (NICHT FÜR DEN STRASSENVERKEHR VORGESEHENE MOTOREN) SPEZIALISIERTEN FACHWERKSTATT ODER PERSON DURCHGEFÜHRT WERDEN.

Vergaserseinstellung (Abb. 27)

WARNUNG

Das Schneidwerkzeug kann während der Vergasereinstellung rotieren.

WARNUNG

Den Motor niemals mit nicht montierter Kupplungsabdeckung (Seitengehäuse) oder nicht angebrachtem Rohr starten! Anderenfalls könnte sich die Kupplung lösen und Verletzungen verursachen.

Im Vergaser werden Luft und Kraftstoff gemischt. Die Grundeinstellung des Vergasers wurde beim werkseitigen Probelauf des Motors bereits vorgenommen. Je nach Klima und Höhenlage des Einsatzorts kann eine Korrektur dieser Einstellung erforderlich werden. Der Vergaser bietet eine Einstellmöglichkeit:
T = Leerlauf-Einstellschraube.

Einstellung des Leerlaufs (T)

Der Luftfilter muss sauber sein. Bei korrekter Einstellung dreht das Schneidwerkzeug sich im Leerlauf nicht mit. Falls eine Einstellung notwendig ist, bei laufendem Motor die Leerlauf-Einstellschraube T (im Uhrzeigersinn) hineindrehen, bis das Schneidwerkzeug sich zu

drehen beginnt. Die Schraube danach (gegen den Uhrzeigersinn) wieder herausdrehen, bis sich das Schneidwerkzeug nicht mehr mitdreht. Die Leerlaufdrehzahl ist richtig eingestellt, wenn der Motor in jeder Lage gut unterhalb der Drehzahl läuft, bei der das Schneidwerkzeug sich zu drehen beginnt.

Wenn die Leerlaufdrehzahl nicht so eingestellt werden kann, dass sich das Schneidwerkzeug nicht mitdreht, Ihren Tanaka-Fachhändler aufsuchen.

HINWEIS

Die Standard-Leerlaufdrehzahl liegt bei 2,500–3,000 Umdrehungen pro Minute.

HINWEIS

Bei einigen, in Ländern mit strengen Abgasvorschriften vertriebenen Modellen, besitzt der Vergaser keine High und Low-Einstellmöglichkeit. Bei derartigen Einstellungen könnten die zulässigen Abgaswerte überschritten werden. Solche Modelle ermöglichen lediglich eine Einstellung der Leerlaufdrehzahl.

Die Vergaser der Modelle, die mit einer High- und Low-Einstellmöglichkeit ausgestattet sind, wurden werkseitig voreingestellt. Die Leistung kann durch eine Nachjustierung unter Berücksichtigung von Klima, Höhe usw. optimiert werden. Die Einstellschraube sollte jedoch niemals um mehr als 90 Grad gedreht werden, da eine falsche Einstellung zu Motorschäden führen kann. Wenn Sie mit Vergasereinstellungen nicht vertraut sind, wenden Sie sich bitte an Ihren Tanaka-Händler.

WARNUNG

Im Leerlauf darf sich das Schneidwerkzeug auf keinen Fall mitdrehen.

Luftfilter (Abb. 28)

Den Luftfilter regelmäßig von Staub und Schmutz befreien zur Vermeidung von:

- Vergaserstörungen
- Startschwierigkeiten
- Leistungsverminderung
- Unnötigem Verschleiß von Motorteilen
- Unnormal hohem Kraftstoffverbrauch

Den Luftfilter mindestens einmal täglich reinigen, bei extremer Staubbelastung entsprechend häufiger.

Reinigung des Luftfilters

Den Luftfilterdeckel abnehmen und den Filter (1) herausnehmen. Den Filter in warmer Seifenlauge spülen. Den Luftfilter erst wieder einbauen, wenn er vollständig trocken ist. Ein Luftfilter, der bereits längere Zeit verwendet wurde, wird nicht vollständig sauber. Er sollte daher in regelmäßigen Abständen durch einen neuen ersetzt werden. Ein beschädigter Luftfilter muss umgehend ausgewechselt werden.

Kraftstofffilter (Abb. 29)

Den Kraftstoff vollständig aus dem Tank ablassen und die Kraftstofffilterleitung aus dem Tank entfernen. Den Filtereinsatz aus der Haltevorrichtung ziehen und in warmem Wasser mit Reinigungsmittel ausspülen.

Danach sorgfältig abspülen, bis alle Reinigungsmittelreste entfernt sind. Überschüssiges Wasser herausdrücken (nicht auswingen), und den Einsatz dann an der Luft trocknen lassen.

HINWEIS

Aufgrund von übermäßiger Verschmutzung hart gewordene Filter durch neue ersetzen.

Zündkerze (Abb. 30)

Der Zustand der Zündkerze wird durch folgende Faktoren beeinträchtigt:

- Eine falsche Vergasereinstellung
- Falsches Kraftstoffgemisch (zu viel Öl im Benzin)
- Einen verschmutzten Luftfilter
- Harte Einsatzbedingungen (z.B. bei kalter Witterung)

Diese Faktoren verursachen Ablagerungen an den Elektroden der Zündkerze, die zu Betriebsstörungen und Startschwierigkeiten führen können. Wenn der Motor einen Leistungsabfall zeigt, schwer zu starten ist oder im Leerlauf ungleichmäßig läuft, immer als erstes die Zündkerze kontrollieren. Ist die Zündkerze verschmutzt, so ist sie zu reinigen und der Elektrodenabstand zu prüfen. Falls erforderlich Justierung vornehmen. Der korrekte Abstand beträgt 0,6 mm. Die Zündkerze ist nach ungefähr 100 Betriebsstunden bzw. bei starkem Verschleiß der Elektroden auszutauschen.

HINWEIS

In manchen Gebieten ist zur Unterdrückung von Zündstörungen die Verwendung einer Zündkerze mit eingebautem Widerstand vorgeschrieben. Sollte das Gerät anfänglich mit einer solchen Zündkerze ausgestattet gewesen sein, müssen auch später stets Ersatzkerzen des gleichen Typs verwendet werden.

Winkelgetriebe (Abb. 31)

Die Schmierung des Winkelgetriebes etwa alle 50 Betriebsstunden durch Entfernen des Schmierstopfens auf der WinkelgetriebeSeite prüfen.

Falls an den Getriebeflanken kein Schmierfett sichtbar ist, das Getriebe zu 3/4 mit einem guten Mehrzweckfett auf Lithiumbasis füllen. Das Getriebe nie ganz mit Schmierfett füllen.

Klinge (Abb. 32)

WARNUNG

Tragen Sie bei Arbeiten am Messer stets Schutzhandschuhe.

- Ein scharfes Messer verwenden. Ein stumpfes Messer neigt eher zum Festklemmen oder Verursachen von Stößen. Die Befestigungsmutter austauschen, falls sie beschädigt oder schwer anzuziehen ist.
- Als Austauschmesser nur von Tanaka empfohlene Messer mit einer Befestigungsbohrung von 25,4 mm (1 Zoll) verwenden.
- Beim Einspannen eines Sägeblatts (2) muss die Stanzseite stets nach oben weisen. Ein drei- oder vierzahniges Sägeblatt (1) lässt sich beidseitig verwenden.
- Die für die Art der Arbeit geeignete Klinge verwenden.
- Beim Austausch der Klinge das geeignete Werkzeug verwenden.
- Stumpf gewordene Schneidkanten gemäß der Abbildung schärfen oder feilen. Falsches Schärfen kann zu übermäßig hoher Vibration führen.

- Messer aussondern, die verbogen, verzogen, rissig, gebrochen oder in anderer Weise beschädigt sind.

HINWEIS

Beim Schärfen der Klinge ist es wichtig, dass die ursprüngliche Radiusform an der Zahnbasis erhalten bleibt, um Rissbildung zu vermeiden.

Wartungsplan

Im Folgenden sind einige allgemeine Wartungsanweisungen aufgeführt. Weitergehende Informationen erhalten Sie bei Ihrem Tanaka-Fachhändler.

Tägliche Wartung

- Das Äußere des Geräts reinigen.
- Den Tragegurt auf Schäden überprüfen.
- Den Messerschutz auf Schäden oder Risse überprüfen. Den Messerschutz im Falle von mechanischen Schäden oder Rissen austauschen.
- Das Schneidwerkzeug muss gut zentriert, scharf und frei von Rissen sein. Eine schlecht zentrierte Schneidvorrichtung verursacht Vibrationen, die das Gerät beschädigen können.
- Den festen Sitz der Schneidvorrichtungsmutter überprüfen.
- Sicherstellen, dass der Messerschutz unbeschädigt ist und fest angebracht werden kann.
- Prüfen, ob Mutter und Schrauben ausreichend fest angezogen sind.

Wöchentliche Wartung

- Den Starter und insbesondere das Seil überprüfen.
- Die Zündkerze äußerlich reinigen.
- Die Zündkerze herausschrauben und den Elektrodenabstand kontrollieren. Den Abstand auf 0,6 mm einstellen oder die Zündkerze auswechseln.
- Die Luftschlitze am Startergehäuse auf Verstopfung kontrollieren.
- Kontrollieren, ob das Winkelgetriebe 3/4 mit Schmiermittel gefüllt ist.
- Den Luftfilter säubern.

Monatliche Wartung

- Den Kraftstofftank mit Benzin ausspülen und den Kraftstofffilter reinigen.
- Das Äußere des Vergasers und seine Umgebung reinigen

Vierteljährliche Wartung

- Reinigen Sie die Kühlrippen am Zylinder.
- Den Lüfter und seine Umgebung reinigen.
- Den Schalldämpfer von Rußablagerungen befreien.

VORSICHT

Die Reinigung der Zylinderlamellen, des Lüfters und des Schalldämpfers sollte durch einen von Tanaka zugelassenen Händler durchgeführt werden.









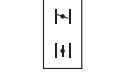

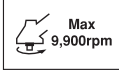



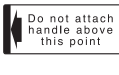

Funkenfänger

Falls das Gerät mit einem Funkenfänger-Schirm geliefert wurde und die örtlichen Vorschriften zur Verhütung von Bränden den Betrieb mit einem Funkenfänger erfordern, diesen durch Entfernen des Schalldämpferschutzes und anderer in Beziehung stehender Teile einbauen.

(Der Funkenfänger entspricht den Vorschriften gemäß SAE J335-SEP90 und CSA CAN3-Z62. 1-M77.)

Signification des symboles

REMARQUE : Certains appareils n'en sont pas pourvus.

	<p>Symboles ⚠ ATTENTION! Les symboles suivants sont utilisés pour l'outil. Bien se familiariser avec leur signification avant d'utiliser l'outil.</p>	
	<p>Il est essentiel de lire et de comprendre parfaitement les consignes de sécurité et autres avertissements suivants. Vous devez les observer strictement. L'utilisation inattentive ou inadéquate de cette machine risque de provoquer des blessures graves ou fatales.</p>	 <p>Une réaction de poussée de la lame peut survenir lorsque la lame en rotation entre en contact avec un objet solide dans la zone critique. Une réaction dangereuse peut alors survenir provoquant un mouvement incontrôlé et violent de toute la machine et de l'utilisateur. Cette réaction est appelée REBOND. Il peut en résulter que l'utilisateur perde le contrôle de la machine et qu'il s'ensuive des blessures sérieuses voire fatales. Cette réaction incontrôlée de la lame risque de survenir plus fréquemment dans les zones où il est difficile de se rendre compte de ce que l'on coupe.</p>
	<p>Lisez attentivement et respectez toutes les instructions et tous les avertissements donnés dans ce manuel et sur le produit.</p>	
	<p>Utilisez toujours des lunettes de protection ainsi qu'un casque et des protections d'oreilles lorsque vous utilisez ce produit.</p>	 <p>Mélange carburant/huile.</p>
	<p>Ne pas utiliser de lames métalliques/rigides lorsque ce signe apparaît sur la machine.</p>	 <p>Ne touchez pas le silencieux ou les surfaces environnantes, car ils peuvent être très chauds.</p>
	<p>Maintenir les enfants, les badauds et les aides à plus de 15 mètres de l'ensemble. Si quelqu'un s'approche de vous, couper immédiatement le moteur et arrêter l'outil de coupe.</p>	 <p>Cet autocollant montre la position du starter. La figure supérieure indique que le starter est fermé et la figure inférieure qu'il est complètement ouvert.</p>
	<p>Faire attention aux objets projetés.</p>	<p>T</p> <p>Ajustement du carburateur - vitesse d'arrêt</p>
	<p>Indique la vitesse maximale de l'arbre. Ne pas utiliser d'outil de coupe dont la vitesse de rotation (nombre de tours/minute) est inférieure à la vitesse de rotation (nb. de tours/minute) de l'arbre.</p>	<p>L</p> <p>Ajustement du carburateur – Mélange basse vitesse</p>
	<p>Au besoin, utiliser des gants, notamment lors du montage de l'équipement de coupe.</p>	<p>H</p> <p>Ajustement du carburateur – Mélange haute vitesse</p>
	<p>Utiliser des chaussures antidérapantes et solides.</p>	 <p>Pompe à amorcer</p>
	<p>Indique l'emplacement du guidon. Ne pas positionner le guidon au-dessus de ce point.</p>	 <p>Niveau de puissance sonore garanti</p>
<p>Avant l'utilisation de votre nouvelle machine</p> <ul style="list-style-type: none"> • Lisez attentivement le manuel d'utilisation. • Vérifiez que l'équipement de coupe est monté et réglé correctement. • Démarrez la machine et vérifiez le réglage du carburateur. Voir la section "ENTRETIEN". 		<p>⚠ ATTENTION! Les gaz d'échappement du moteur de cette machine contiennent des produits chimiques considérés comme pouvant entraîner des cancers, des malformations congénitales et autres troubles de la reproduction.</p>

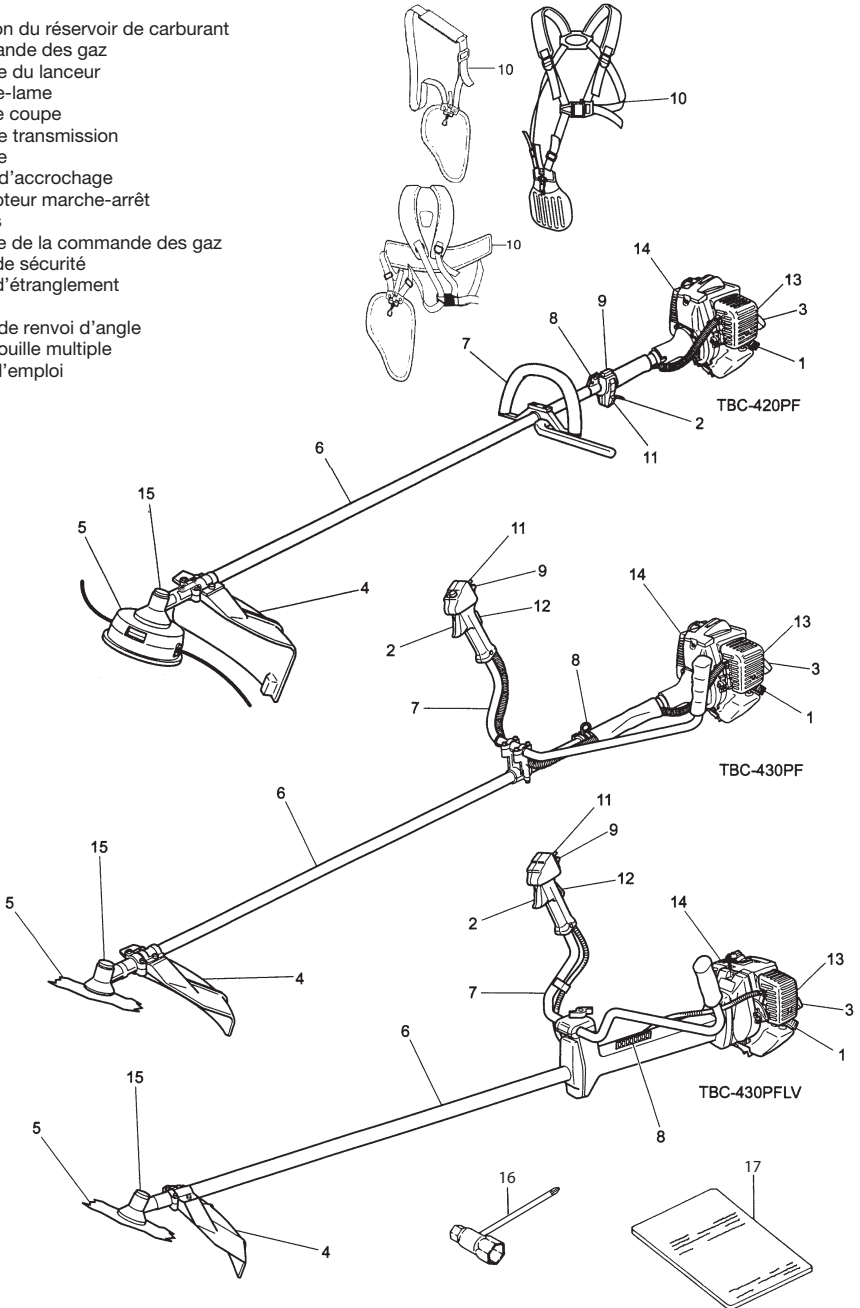
Sommaire

Description	2
Précautions et consignes de sécurité	3
Caractéristiques	4
Montage	5
Utilisation	6
Entretien	7

Description

Ce manuel étant commun à plusieurs modèles, vous constaterez peut-être certaines différences entre les images et votre appareil. Suivez les instructions relatives à votre modèle.

1. Bouchon du réservoir de carburant
2. Commande des gaz
3. Poignée du lanceur
4. Protège-lame
5. Outil de coupe
6. Tube de transmission
7. Poignée
8. OEillet d'accrochage
9. Interrupteur marche-arrêt
10. Harnais
11. Blocage de la commande des gaz
12. Levier de sécurité
13. Levier d'étranglement
14. Moteur
15. Boîtier de renvoi d'angle
16. Clé à douille multiple
17. Mode d'emploi



Précautions et consignes de sécurité

Faites particulièrement attention aux stipulations introduites par les mots ci-dessous.

ATTENTION
Information de première importance pour éviter des dommages corporels graves ou mortels.

IMPORTANT
Information utile pour une utilisation et un fonctionnement corrects de la machine.

REMARQUE!
Information importante pour la compréhension d'une intervention, évitant ainsi des erreurs.

Sécurité de l'utilisateur

- Portez toujours une visière et des lunettes de protection.
- Portez toujours un pantalon, des chaussures et des gants de sécurité antidérapants. Évitez les vêtements amples, les shorts, les sandales et les pieds nus. Veillez à ce que vos cheveux ne descendent pas au-dessous des épaules.
- Utilisez cette machine uniquement si vous êtes en pleine possession de vos moyens physiques. Évitez strictement la consommation d'alcool, de drogue ou de médicaments.
- Ne laissez jamais un enfant ou une personne inexpérimentée se servir de ces machines.
- Portez un dispositif de protection auditive contre le bruit. Restez vigilant à tout ce qui vous entoure. Restez attentif dans l'éventualité où une personne située à proximité vous signalerait un problème. Retirez les équipements de sécurité immédiatement après avoir coupé le moteur de l'appareil.
- Ne mettez jamais le moteur en marche dans un local clos, les gaz d'échappement étant toxiques.
- Nettoyez les poignées de toute trace d'huile ou de carburant.
- N'approchez jamais les mains du guide-chaîne et de la chaîne.
- N'attrapez jamais et ne tenez jamais la machine par l'extrémité du guide-chaîne.
- Portez toujours des gants lors du montage/démontage de l'outil de coupe, sinon quoi vous vous exposez à des risques de blessure grave.
- Après l'arrêt de la machine, attendez l'arrêt complet de l'outil de coupe avant de poser la machine.
- Lors d'une utilisation prolongée, veillez à pratiquer des pauses régulières afin d'éviter des troubles éventuels provoqués par les vibrations.

ATTENTION
Les systèmes anti-vibrations ne préviennent pas de la maladie des doigts blancs, ni du syndrome du canal carpien. Par conséquent, en cas d'utilisation régulière et continue de votre machine, surveillez soigneusement l'état de vos mains et de vos doigts. Si l'un des symptômes ci-dessus venait à apparaître, il serait indispensable de vous faire examiner immédiatement par votre médecin.

ATTENTION
Si vous êtes équipé d'un appareillage médical électrique/électronique tel qu'un stimulateur cardiaque, consultez votre médecin et le fabricant de cet appareillage avant d'utiliser tout appareil électrique.

Règles de sécurité concernant l'utilisation de la machine.

- Contrôlez entièrement votre machine avant chaque utilisation. Remplacez les pièces endommagées. Vérifiez l'absence de fuites de carburant et assurez-vous que tous les dispositifs de fixation sont en place et solidement fixés.
- Remplacez les éléments Hitachi de la machine qui présentent des fissures, des ébréchantures ou toute autre avarie.
- Assurez-vous que le capot couvre-lame est correctement fixé.
- Ne laissez personne s'approcher lorsque vous réglez le carburateur.
- Utilisez uniquement les accessoires recommandés par le constructeur pour cette machine.

ATTENTION
Ne modifiez en aucun cas la machine. N'utilisez jamais la débroussailleuse pour un autre usage que celui pour lequel elle est prévue.

Sécurité au niveau du carburant

- Faites le mélange et le plein à l'air libre, à distance de toute étincelle ou flamme.
- Utilisez un récipient agréé pour l'essence.
- Ne fumez pas et ne laissez personne fumer à proximité du carburant ou de la machine, ni lorsque vous utilisez la machine.
- Essayez soigneusement toutes les traces de carburant avant

de mettre le moteur en marche.

- Pour démarrer la débroussailleuse, écartez-vous d'au moins 3 mètres de l'endroit où vous avez fait le plein.
- Arrêtez le moteur avant de dévisser les bouchons des réservoirs de carburant ou d'huile.
- Vidangez le réservoir de carburant avant de ranger la machine. Cette opération est recommandée après chaque utilisation. Si le réservoir n'est pas vide, rangez alors la machine dans une position empêchant toute fuite de carburant.
- Rangez la machine et le carburant dans un endroit où les vapeurs d'essence ne risquent pas d'entrer en contact avec des étincelles ou une flamme en provenance d'un chauffe-eau, d'un moteur électrique, d'un commutateur, d'une chaudière, etc.

ATTENTION
Le carburant peut s'enflammer facilement ou exploser et l'inhalation de ses vapeurs est dangereuse. Faites particulièrement attention lorsque vous manipulez le carburant ou faites l'appoint du réservoir.

Sécurité au niveau de la coupe

- Ne coupez rien d'autre que de l'herbe et des broussailles.
- Examinez la zone de coupe avant chaque utilisation. Enlevez tout objet pouvant être projeté ou s'emmêler dans la machine.
- Pour la protection des voies respiratoires, portez un masque de protection contre les aérosols lors de la coupe d'une végétation traitée avec des insecticides.
- Veillez à ce que personne (enfants, animaux, spectateurs ou aides) ne se tienne à l'intérieur d'un périmètre de sécurité de 15 mètres. Arrêtez immédiatement le moteur si quelqu'un s'approche de vous.
- Tenez toujours le moteur à votre droite.
- Maintenez fermement la machine des deux mains.
- Tenez-vous bien en équilibre sur les deux jambes. Ne travaillez jamais en porte-à-faux.
- Restez toujours éloigné du silencieux d'échappement et de l'ensemble de coupe lorsque le moteur est en marche.
- Maintenez l'outil de coupe en-dessous de la taille.
- Quand vous déplacez l'appareil d'un lieu à un autre, vérifiez qu'il est complètement arrêté et que tous les accessoires de coupe sont à l'arrêt.
- Ne posez jamais l'appareil sur le sol lorsque le moteur tourne.
- Assurez-vous toujours que le moteur est arrêté et que tous les accessoires de coupe sont complètement à l'arrêt avant de nettoyer l'accessoire principal de coupe de tout débris ou amas d'herbe.
- Lors de l'utilisation de n'importe quel appareil électrique/thermique, emportez toujours avec vous une trousse de premiers soins.
- Ne démarrez jamais le moteur de l'appareil, et ne l'utilisez jamais dans un local clos et/ou à proximité de produits inflammables, les gaz d'échappement étant toxiques.
- Veuillez faire usage de cet appareil conformément aux législations nationales et locales en vigueur.

Sécurité au niveau de l'entretien

- Entretenez votre machine selon les recommandations du constructeur.
- Débranchez la bougie avant toute intervention d'entretien, à l'exception des opérations de réglages du carburateur.
- Ne laissez personne s'approcher lorsque vous réglez le carburateur.
- Utilisez uniquement les pièces de rechange d'origine Tanaka.

IMPORTANT

Ne démontez pas le lanceur à retour automatique. Vous pourriez vous blesser à cause du ressort de recul.

ATTENTION
Un entretien incorrect peut entraîner des avaries importantes du moteur ou des blessures graves.

Transport et rangement

- Portez la machine avec moteur arrêté et silencieux orienté vers l'extérieur.
- Laissez le moteur refroidir, videz le réservoir de carburant et veillez à la stabilité de la machine lors du rangement ou du chargement à bord d'un véhicule.
- Vidangez le réservoir de carburant avant de ranger la machine. Cette opération est recommandée après chaque utilisation. Si le réservoir n'est pas vide, rangez alors la machine dans une position empêchant toute fuite de carburant.
- Rangez la machine hors de portée des enfants.
- Nettoyez soigneusement la machine avant de l'entreposer dans un endroit sec.
- Assurez-vous que le commutateur d'arrêt du moteur est bien sur la position « stop » lors du transport ou du rangement de la machine.
- Lors du transport en véhicule, recouvrez la lame avec le couvre-lame.

Dans l'éventualité de situations qui ne seraient pas prises en compte par le présent manuel, redoublez d'attention et usez de bon sens. Contactez un concessionnaire Tanaka pour toute assistance.

Caractéristiques

MODÈLE		TBC-420PF	TBC-430PF	TBC-430PFLV
Moteur				
Cylindrée (cm ³) (ml)		39.8 (2.43 cu.in)		
Bougie d'allumage		NGK RCJ8Y ou équivalent		
Ralentí (min ⁻¹)		2,800		
Vitesse maximum recommandée (min ⁻¹)		11,500		
Vitesse de l'arbre de sortie (min ⁻¹)		8,700		
Puissance max du moteur (kW)		1.28 kw (@6,500 min ⁻¹)		
Contenance du réservoir de carburant (cm ³) (ml)		1,000 (33.8 fl. oz)		
Poids à sec (kg)		7.3 (16.1 lbs)	7.7 (16.9 lbs)	8.3 (18.3 lbs)
Élément tranchant	Type / Dia. (mm)	Cordon de nylon	Lame en métal 3Tx255	Lame en métal 3Tx305
Niveau de pression acoustique LpA (dB (A))	(ISO 22868)			
	Équivalent	99.2	99.2	95.5
	Incertitude	3	3	3
Niveau de puissance acoustique mesuré LwA (dB (A))	(ISO 22868)			
	Équivalent	112	108	108
Niveau de puissance acoustique garanti LwA (dB (A))	(2000/14/EC)			
	Vitesse de course	116	116	116
Niveau de vibrations (m/s ²)	(ISO 22867)			
Équivalent (Poignée avant / gauche)		3.9	3.4	3.4
Équivalent (Poignée arrière / droite)		2.7	4.3	2.6
Incertitude		1.5	1.5	1.5
Ralentí (Poignée avant / gauche)		3.0	3.4	3.6
Ralentí (Poignée arrière / droite)		2.8	3.3	2.3
Vitesse de course (Poignée avant / gauche)		4.5	3.4	3.3
Vitesse de course (Poignée arrière / droite)		2.5	5.2	2.9

REMARQUE : Les niveaux de bruit/vibrations équivalents sont calculés comme total d'énergie pondérée en fonction du temps pour les niveaux de bruit/vibrations dans diverses conditions de travail avec la répartition temporelle suivante : 1/2 ralenti, 1/2 vitesse de course.

* Toutes les données sont susceptibles d'être modifiées sans préavis.

Montage

Arbre de transmission du moteur (Fig. 1)

Fixer le moteur à la boîte d'embrayage (2) avec les quatre vis ou boulons (1) fournis à cet effet.

Installation du manche (Fig. 2)

Fixer la poignée au tuyau de l'arbre d'entraînement avec l'angle vers le moteur.
Régler l'emplacement sur la position la plus commode avant la mise en marche, mais pas trop proche de la tête de force motrice.

REMARQUE

S'il existe une étiquette de positionnement du guidon sur le tube de l'arbre moteur, suivez les indications fournies.

Installation du manche (Fig. 3, 4)

Déposer le support de poignée (1) de l'ensemble, (Fig. 3)
Ajuster les poignées et fixer légèrement le support de poignée au moyen des quatre boulons. Puis régler l'angle comme désiré ou selon la position appropriée. En dernier lieu, fixer fermement au moyen des boulons.

Décrocher l'amortisseur de hanches et y envelopper les cordons d'arrêt garnis de tube aussi bien que le fil de commande des gaz (1). (Fig. 6)

Note pour le TBC-430PFLV (Fig. 5, 6)

L'arbre d'entraînement et le moteur de ce modèle sont montés préalablement dans l'usine. Tout ce qu'on doit faire est le suivant : fixer la poignée de l'étrangleur sur le guidon au moyen d'une vis et d'un écrou et, ensuite, l'installer sur le support de poignée. Serrer fermement l'écrou de molette avec les doigts.

Câble de marche-arrêt / câble de commande des gaz

Retirer le couvercle du filtre à air. (Fig. 7)
Relier les fils de marche-arrêt. (Fig. 8)
Connecter le câble de commande des gaz au carburateur. (Fig. 8)
Couvrir ensemble le câble de commande des gaz et les fils de marche-arrêt avec le tube de protection fourni jusqu'au niveau du couvercle du filtre à air. (Fig. 9)

Montage du protège-lame (Fig. 10)

REMARQUE

Sur certains modèles, le crochet de garde peut déjà être installé sur le boîtier d'engrenages.

Installer le carter de protection de lame sur le tube de l'arbre de transmission contre le boîtier de renvoi d'angle. Resserrer solidement la bride du carter de protection de telle manière que ce carter n'oscille pas ou ne se déplace pas durant l'utilisation de la machine.

IMPORTANT

Certains protège-lames sont équipés d'un limiteur aiguisé. Prenez garde lorsque vous le maniez.

REMARQUE (Fig. 10)

Lors de l'utilisation d'une tête d'aluminium Tanaka (CH-100 or CH-300) sur votre machine, le limiteur aiguisé (2) (le cas échéant) compris dans la trousse à outils doit être fermement attaché au protège-lame à l'aide du boulon (3).

Lors de l'utilisation d'un coupe-herbes avec un protège-lame en deux parties, attachez l'extension de protection au protège-lame. (Fig. 11)

REMARQUE

Lorsque vous attachez l'extension de protection au protège-lame, le limiteur aiguisé doit être enlevé du protège-lame (le cas échéant).

REMARQUE

Si le tube de l'arbre moteur comporte une étiquette indiquant la position de la protection, suivez les indications fournies.

REMARQUE

Pour enlever l'extension de protection, référez-vous aux illustrations. Portez des gants, l'extension possédant un limiteur aiguisé, puis poussez les quatre attaches carrées sur le protège-lame l'une après l'autre dans l'ordre. (Fig. 12)

Montage de la lame de coupe (Fig. 13, 14)

(le cas échéant)

Lors de l'installation d'une lame de coupe, assurez-vous que celle-ci ne possède ni fissure ni dommage et que ses bords tranchants sont tournés correctement.

REMARQUE

- Lors de l'installation du capuchon du porte-lame (1), veillez à ce que le côté concave soit tourné vers le haut.
- Insérez la clé à barre hexagonale (2) dans le trou du boîtier de renvoi d'angle pour verrouiller le porte lame (3). Remarquez que la vis ou l'écrou de fixation (4) possède un filetage pour gauchers, (desserrez dans le sens des aiguilles d'une montre / serrez dans le sens inverse). Serrez la vis ou l'écrou de fixation avec la clé à douille.

REMARQUE

Si votre machine est du type à écrou de blocage et muni d'une goupille, il faut retenir la lame au moyen d'une goupille neuve (5) qu'on remplace à chaque fois. (Fig. 15)

IMPORTANT

Avant utilisation, assurez-vous que la lame a été bien installée.

IMPORTANT

Si votre machine est équipée d'une couverture de protection sous la lame de coupe, assurez-vous qu'elle ne présente aucune usure excessive ou fissure avant utilisation. En cas de dommage ou d'usure, remplacez-la.

Montage de la tête de coupe semi-automatique

REMARQUE!

Pour l'installation, veuillez vous référer au manuel d'utilisation fourni avec la tête de coupe automatique.

⚠ ATTENTION!

Pour bénéficier d'un rendement et d'une fiabilité remarquables, utilisez toujours du fil de coupe en nylon Tanaka. N'utilisez jamais de fil métallique ou d'autres matériaux qui pourraient constituer de dangereux projectiles.

Montage de la tête de coupe Brain

REMARQUE

Pour l'installation, veuillez vous référer au manuel d'utilisation fourni avec la tête de coupe Brain.

⚠ ATTENTION

Utilisez uniquement des fils non métalliques recommandés par le fabricant pour les têtes automatiques Tanaka Brain ou la tête manuelle Tanaka en alliage. N'utilisez jamais de fil de fer ou de câble métallique. Ils peuvent se rompre et devenir de dangereux projectiles.

REMARQUE

Lors de l'utilisation de la tête manuelle Tanaka en alliage (CH- 100), la longueur initiale du fil de coupe doit être d'environ 17 cm. (Fig. 16)

Utilisation

Carburant (Fig. 17)

⚠ ATTENTION

- **La débroussailluse est équipée d'un moteur deux temps. Veillez à toujours l'alimenter en mélange essence/huile. Veillez à une bonne aération pendant l'opération de remplissage du réservoir.**
- **Le carburant contient des substances hautement inflammables. Vous risquez des blessures sévères en cas d'inhalation de vapeurs ou de renversement accidentel du produit sur votre corps. Faites toujours très attention lorsque vous manipulez le carburant. Si vous prévoyez de manipuler le carburant en intérieur, faites-le dans un local bien ventilé.**

Essence

- Utilisez toujours de l'essence sans plomb avec un indice d'octane de 89.
- Utilisez une huile pour moteur à deux temps ou un mélange variant de 25:1 à 50:1. Veuillez consulter le réservoir d'huile pour la proportion du mélange ou contacter un concessionnaire Tanaka.
- Et une proportion 50:1 pour l'Etat de la Californie uniquement.
- Si vous n'utilisez pas une huile d'origine, utilisez une huile de qualité contenant un antioxydant recommandé pour être utilisé avec un moteur à deux temps refroidi à l'air (JASO FC GRADE OIL ou ISO EGC GRADE). N'utilisez jamais d'huiles mélangées BIA ou TCW (pour les moteurs à essence 2 temps à refroidissement par eau).
- N'utilisez jamais d'huile Multigrade (10 W/30), ni d'huile usagée.
- Eff ectuez toujours le mélange dans un récipient propre.

Commencez toujours par verser la moitié de l'essence à mélanger. Versez ensuite la totalité de l'huile. Mélangez en agitant le récipient. Ajoutez le reste de l'essence.

Puis agitez le récipient afin de mélanger soigneusement le carburant avant de faire le plein.

Quantité de mélange d'huile pour moteur deux temps et de gasoil

Gasoil (litre)	Huile pour moteur deux temps (ml)	
	Rapport 50:1	Rapport 25:1
0,5	10	20
1	20	40
2	40	80
4	80	160

Faire le plein

⚠ ATTENTION

- **Éteignez toujours le moteur avant de faire le plein.**
- **Desserrez lentement le bouchon du réservoir de carburant pour eff ectuer le remplissage afin d'évacuer une éventuelle surpression.**
- **Serrez le bouchon soigneusement après avoir rempli le réservoir de carburant.**
- **Avant de redémarrer le moteur, éloignez-vous toujours d'au moins 3 mètres de l'endroit où vous avez fait le plein de carburant.**
- **En cas de renversement accidentel de carburant sur vos vêtements, lavez-les immédiatement avec du savon.**
- **Après chaque appoint de carburant, vérifiez toujours qu'il n'y**

a pas de fuite.

Avant le remplissage, essayez autour du bouchon du réservoir afin d'éviter que des corps étrangers ne pénètrent dans le réservoir. Veillez à l'homogénéité du mélange en agitant à intervalle régulier le récipient avant et pendant le remplissage.

Démarrage (Fig. 18, 19, 20, 21)

IMPORTANT

Avant le démarrage, vérifiez que la lame n'est en contact avec aucun objet.

1. Placez l'interrupteur de marche/arrêt (1) en position "marche" (ON). (Fig. 18, 19)
* Presser la poire d'amorçage (4) à plusieurs reprises pour que le carburant puisse s'écouler de la poire dans le tuyau de retour (5) (Si la machine en est munie.) (Fig. 20)
2. Tout en maintenant enfoncé le verrouillage de la gâchette des gaz (2) (si l'appareil en est équipé), appuyez sur la gâchette des gaz et enfoncez le bouton de blocage du papillon des gaz (3). Ensuite relâchez lentement la gâchette des gaz puis le verrouillage de la gâchette des gaz. En procédant ainsi, le papillon des gaz est verrouillé en position de démarrage. (Fig. 18, 19)
3. Réglez le starter sur la position fermée (4). (Fig. 21)
4. Tirez vivement sur la corde du lanceur en accompagnant son retour, sans relâcher brusquement la poignée.
5. Dès les premiers soubresauts du moteur, ramenez le starter en position ouverte. Puis tirez à nouveau vivement sur le lanceur.

REMARQUE

Si le moteur ne démarre pas, répétez la procédure décrite entre les points 2 et 5.

6. Après avoir démarré le moteur, pressez la manette de commande des gaz pour libérer le bouton de blocage. Laissez ensuite le moteur chauffer pendant 2 à 3 minutes avant de le soumettre à un effort quelconque.

Débroussaillage (Fig. 22, 23, 24, 25)

- Faites fonctionner le moteur à un régime supérieur à 6 500 tours par minute lors du débroussaillage. L'utilisation prolongée de la machine au ralenti peut aboutir à une usure prématurée de l'embranchage.
- Coupez l'herbe de la droite vers la gauche.
- Une réaction de poussée de la lame peut survenir lorsque la lame en rotation entre en contact avec un objet solide dans la zone critique.
Une réaction dangereuse peut alors survenir provoquant un mouvement incontrôlé et violent de toute la machine et de l'utilisateur. Cette réaction est appelée rebond de la lame. Elle peut faire perdre le contrôle de la machine et être à l'origine de blessures sérieuses, voire fatales. Cette réaction incontrôlée de la lame risque davantage de survenir lorsque l'opérateur ne peut voir le matériau à couper.
- Portez le harnais comme indiqué sur l'illustration (si la machine en est munie). La lame tourne dans le sens inverse des aiguilles d'une montre. Par conséquent, il est préférable d'utiliser la machine de la droite vers la gauche pour assurer un débroussaillage efficace. Éloignez les personnes se trouvant à proximité de la zone de travail d'une distance d'au moins 15 m.

REMARQUE

Appuyez sur le bouton de déclenchement instantané ou tirez la languette de décrochage d'urgence (si le harnais en est muni) en cas de danger. (Fig. 24)

ATTENTION

Si l'outil de coupe bute contre des pierres ou autres débris, arrêtez le moteur et assurez-vous que l'outil et ses pièces connexes ne sont pas endommagés. Lorsque des herbes ou des plantes grimpantes s'enroulent autour de l'outil de coupe, arrêtez le moteur, attendez que la lame s'arrête de tourner et retirez les herbes et plantes grimpantes.

Arrêt de la débroussailluse (Fig. 26)

Ralentissez le moteur et faites-le tourner au ralenti pendant quelques minutes puis mettez l'interrupteur de marche/arrêt sur la position Off.

ATTENTION

L'outil de coupe peut blesser lorsqu'il continue de tourner après l'arrêt du moteur ou lorsque l'on déclenche la commande d'alimentation du moteur. Après l'arrêt de la machine, attendez l'arrêt complet de l'outil de coupe avant de poser la machine.

Entretien

L'ENTRETIEN, LE REMPLACEMENT OU LA RÉPARATION DES DISPOSITIFS ET SYSTÈMES DE CONTRÔLE DE L'ÉCHAPPEMENT PEUVENT ÊTRE EFFECTUÉS PAR N'IMPORTE QUEL ATELIER DE RÉPARATION OU MÉCANICIEN DE MOTEUR NON AUTOMOBILE.

Réglage du carburateur (Fig. 27)

ATTENTION

La lame peut entrer en mouvement pendant le réglage du carburateur.

ATTENTION

N'essayez jamais de démarrer le moteur tant que le carter de protection de l'embrayage et le tube ne sont pas parfaitement en place. Dans le cas contraire, l'embrayage risquerait de se détacher, entraînant des blessures corporelles.

Dans le carburateur, l'air est mélangé au carburant. Le carburateur est réglé pendant les essais en usine. Ce réglage peut nécessiter des modifications selon les conditions climatiques et l'altitude. Le carburateur présente une possibilité de réglage:

T = Vis de réglage du ralenti.

Réglage du ralenti (T)

Commencez par vérifier la propreté du filtre à air. Lorsque le ralenti est correct, la chaîne ne doit pas tourner. Si un réglage s'avère nécessaire, vissez, dans le sens des aiguilles d'une montre, avec le moteur en marche, jusqu'à ce que la lame commence à tourner. Dévissez alors en sens contraire (sens inverse des aiguilles d'une montre) jusqu'à ce que la chaîne s'immobilise à nouveau. Un ralenti correct permet au moteur de tourner sans variation de régime dans toutes les positions, ce qui assure une marge de sécurité avant la mise en rotation de la chaîne.

Si le dispositif de coupe tourne encore après le réglage du régime de ralenti, contactez un concessionnaire Tanaka.

REMARQUE

Le nombre normal de tours par minute au ralenti est de 2,500-3,000

tr/mn.

REMARQUE

Certains des modèles vendus dans les secteurs avec des réglementations d'émission d'échappement strictes ne possèdent pas d'ajustements de vitesse élevée et basse du carburateur. De tels ajustements peuvent permettre au moteur de fonctionner au-delà de ses limites de conformité d'émission. Pour ces modèles, le seul ajustement de carburateur est le régime de ralenti.

Pour les modèles équipés d'ajustements de vitesse élevée et basse, les carburateurs sont pré-réglés en usine. Des ajustements mineurs peuvent optimiser la performance selon le climat, l'altitude, etc. Ne tournez jamais les vis d'ajustement à plus de 90 degrés, un ajustement incorrect pouvant provoquer un dommage du moteur. Si vous n'êtes pas familier avec ce type d'ajustements, contactez votre concessionnaire Tanaka.

ATTENTION

L'outil de coupe doit être absolument immobile lorsque le moteur tourne au ralenti.

Filtre à air (Fig. 28)

Nettoyez le filtre à air régulièrement pour éviter :

- les troubles de fonctionnement du carburateur
- les problèmes de démarrage
- les pertes de puissance
- l'usure prématurée des organes du moteur
- Une consommation anormalement élevée

Nettoyez le filtre à air quotidiennement ou plus fréquemment en milieu poussiéreux.

Nettoyage du filtre à air

Démontez le couvercle du filtre à air et le filtre (1). Lavez-les à l'eau savonneuse chaude. Veillez ensuite à ce que le filtre soit bien sec avant de le remonter. Un filtre à air ayant servi longtemps ne peut être complètement nettoyé. Par conséquent, il doit être remplacé régulièrement par un filtre neuf. Remplacez toujours le filtre s'il est endommagé.

Filtre à carburant (Fig. 29)

Purgez tout le carburant se trouvant dans le réservoir et retirez la durite du filtre à carburant du réservoir. Démontez la cartouche du filtre et rincez-la dans de l'eau chaude contenant un produit détergent.

Rincez soigneusement jusqu'à élimination de toute trace de détergent. Pressez la cartouche sans la tordre afin d'éliminer l'excès d'eau et laissez-la sécher à l'air libre.

REMARQUE

Si le filtre a durci à cause des impuretés contenues dans le carburant, il convient de le remplacer.

Bougie (Fig. 30)

L'état de la bougie est influencé par :

- Un mauvais réglage du carburateur
- Un mélange incorrect (trop riche en huile)
- Un filtre à air sale
- Des conditions d'utilisation difficiles (par temps froid par exemple)

Ces facteurs contribuent à la formation de dépôts sur les électrodes de la bougie et peuvent entraîner des troubles de fonctionnement et des difficultés de démarrage. Si la débroussailleuse manque de puissance, si elle démarre mal ou si son ralenti est irrégulier, commencez toujours par vérifier l'état de la bougie. Si la bougie est encrassée, nettoyez-la et vérifiez l'écartement des électrodes. Ajustez-le si nécessaire. Il doit être de 0,6 mm. La bougie devra être remplacée après une centaine d'heures d'utilisation, ou plus tôt si les électrodes sont endommagées.

REMARQUE

Dans certaines régions, la réglementation locale exige l'utilisation d'une bougie équipée d'une résistance d'antiparasitage afin d'éliminer les signaux d'allumage. Si cette machine était équipée à l'origine d'une bougie avec résistance d'antiparasitage, utilisez le même type de bougie lorsque vous la remplacez.

Boîtier de renvoi d'angle (Fig. 31)

Vérifiez le niveau de graisse du boîtier de renvoi d'angle ou de l'engrenage d'angle à intervalles de 50 heures d'utilisation, en dévissant le bouchon sur le côté du boîtier de renvoi d'angle. Si aucune graisse n'est visible sur les flancs des engrenages, remplissez jusqu'aux 3/4 le renvoi de graisse multi-fonction à base de lithium. Ne remplissez pas totalement le boîtier.

Lame (Fig. 32)

ATTENTION

Portez des gants de protection pour manipuler la lame ou effectuer sa maintenance.

- Utilisez une lame aiguisée. Une lame émoussée est plus susceptible de se bloquer et de provoquer un rebond. Remplacez l'écrou de serrage s'il est détérioré et dur à serrer.
- Pour remplacer la lame, utilisez un modèle recommandé par Tanaka dotée d'un orifice de montage de 25,4 mm.
- Les lames de scie (2) doivent toujours être installées avec le côté poinçonné tourné vers le haut. Les lames à 3 ou 4 dents (1) peuvent être utilisées des deux côtés.
- Utilisez une lame adaptée à la tâche à entreprendre.
- Utilisez des outils adaptés pour remplacer les lames.
- Lorsque les rebords tranchants sont émoussés, aiguisiez-les en vous reportant à l'illustration. Un mauvais aiguisage peut provoquer des vibrations excessives.
- N'utilisez pas de lames tordues, courbées, fissurées, cassées ou autrement détériorées.

REMARQUE

Lors de l'aiguisage de la lame, il est important de conserver le rayon à la base de la dent pour éviter les fissurations.

Entretien

Vous trouverez ci-dessous quelques conseils d'ordre général pour l'entretien de votre tronçonneuse. Pour plus d'informations, veuillez contacter un concessionnaire Tanaka.

Entretien quotidien

- Nettoyez l'extérieur de la machine.
- Vérifiez que le harnais n'est pas endommagé.
- Vérifiez que le protège-lame n'est pas fissuré. S'il l'est ou a subi des chocs, remplacez-le.
- Vérifiez que l'accessoire de coupe est bien centré, aiguisé et exempt de fissures. Un outil de coupe décentré provoque d'importantes vibrations susceptibles d'endommager la machine.
- Vérifiez que l'écrou du guide-chaîne est suffisamment serré.
- Assurez-vous que le protecteur de transport de la lame n'est pas endommagé et qu'il peut être installé rapidement et fixé solidement.
- Vérifiez le serrage de tous les écrous et vis.

Entretien hebdomadaire

- Contrôlez le lanceur, notamment le cordon.
- Nettoyez extérieurement la bougie.
- Démontez la bougie d'allumage et contrôlez l'écartement des électrodes, qui doit être de 0,6 mm ou changez la bougie.
- Vérifiez que l'entrée d'air au niveau du lanceur n'est pas obstruée.
- Vérifiez que le carter de renvoi d'angle est rempli aux 3/4 de graisse.
- Nettoyez le filtre à air.

Entretien mensuel

- Rincez le réservoir de carburant avec de l'essence et nettoyez le filtre du carburant.
- Nettoyez extérieurement le carburateur et son logement.

Entretien trimestriel

- Nettoyez les ailettes de refroidissement du cylindre.
- Nettoyez le volant magnétique (turbine) et son logement.
- Nettoyez le silencieux d'échappement afin d'éliminer toute trace de calamine.

IMPORTANT










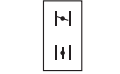

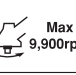


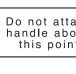

Le nettoyage des nervures du cylindre, du ventilateur et du silencieux devra être effectué par un revendeur agréé Tanaka.

Pare-étincelles

Si votre unité est équipée d'un écran pare-étincelles et que la réglementation locale en vigueur impose l'utilisation d'un pare-étincelles en vue de prévenir les risques d'incendie, veuillez fixer l'écran pare-étincelles sur le silencieux après avoir retiré la protection du silencieux et les autres pièces connexes. (Le pare-étincelles est conforme à la réglementation et aux normes SAE J335-SEP90 et CSA CAN3-Z62,1-M77.)

Significati dei simboli

NOTA : Alcune unità non ne sono provvist.

	<p>Simboli ⚠ ATTENZIONE Di seguito mostriamo i simboli usati per la macchina. Assicurarsi di comprenderne il signifi cato prima dell'uso.</p>	
	<p>È importante leggere, comprendere a fondo e osservare le precauzioni di sicurezza e le avvertenze di seguito riportate. Disattenzione e l'uso improprio dell'unità possono divenire causa di lesioni gravi o anche fatali.</p>	 <p>La spinta della lama può verificarsi quando la lama rotante tocca un oggetto solido nell'area critica. Può avvenire una reazione pericolosa a causa della quale l'intera unità e l'operatore possono subire una violenta spinta. Questa reazione è detta SPINTA DELLA LAMA. Come risultato di ciò, l'operatore può perdere il controllo dell'unità, il che può causare lesioni gravi o letali. La spinta della lama può verificarsi con maggiore probabilità in aree in cui è difficile vedere il materiale da tagliare.</p>
	<p>Leggere, comprendere a fondo e osservare tutte le avvertenze e le istruzioni riportate nelle presenti istruzioni per l'uso e sull'unità.</p>	 <p>Miscela di carburante e olio.</p>
	<p>Indossare sempre protezioni per gli occhi, il capo e le orecchie durante l'uso di questa unità.</p>	 <p>Non toccare la marmitta e l'area circostante, in quanto possono essere molto calde.</p>
	<p>Non usare lame di metallo/rigide quando sull'unità c'è questo simbolo.</p>	 <p>Indica la posizione della valvola dell'aria. Il segno superiore indica che la valvola dell'aria è chiusa e quello inferiore indica che la valvola dell'aria è completamente aperta.</p>
	<p>Tenere tutti i bambini, gli estranei e gli aiutanti a 15 m di distanza dall'unità. Se qualcuno si avvicina, spegnere il motore e fermare il dispositivo di taglio immediatamente.</p>	 <p>Regolazione carburatore – Velocità a vuoto</p>
	<p>Fare attenzione a oggetti lanciati a distanza.</p>	<p>Regolazione carburatore – Velocità bassa</p>
	<p>Indica la velocità massima dell'albero. Non usare dispositivi di taglio i cui valori massimi di giri al minuto sono inferiori al valore di giri al minuto dell'albero.</p>	<p>Regolazione carburatore - Velocità alta</p>
	<p>Se è necessario, mettere i guanti; per esempio, quando si monta un accessorio da taglio.</p>	<p>Pompa iniezione</p>
	<p>Far uso di scarpe antiscivolevoli e solide.</p>	<p>Livello di potenza acustica garantito</p>
	<p>Indica l'ubicazione del manubrio. Non fissare il manubrio oltre questo punto.</p>	 <p>Livello di potenza acustica garantito</p>
<p>Prima di usare la nuova unità</p> <ul style="list-style-type: none"> • Leggere attentamente il manuale di istruzioni. • Controllare il montaggio e la regolazione del gruppo di taglio. • Mettere in moto l'unità e controllare la registrazione del carburatore. Vedere "MANUTENZIONE". 		<p>⚠ ATTENZIONE I gas di scarico del motore di questo prodotto contengono elementi chimici noti allo stato della California come cause di cancro, difetti congeniti e altri danni al sistema riproduttivo.</p>

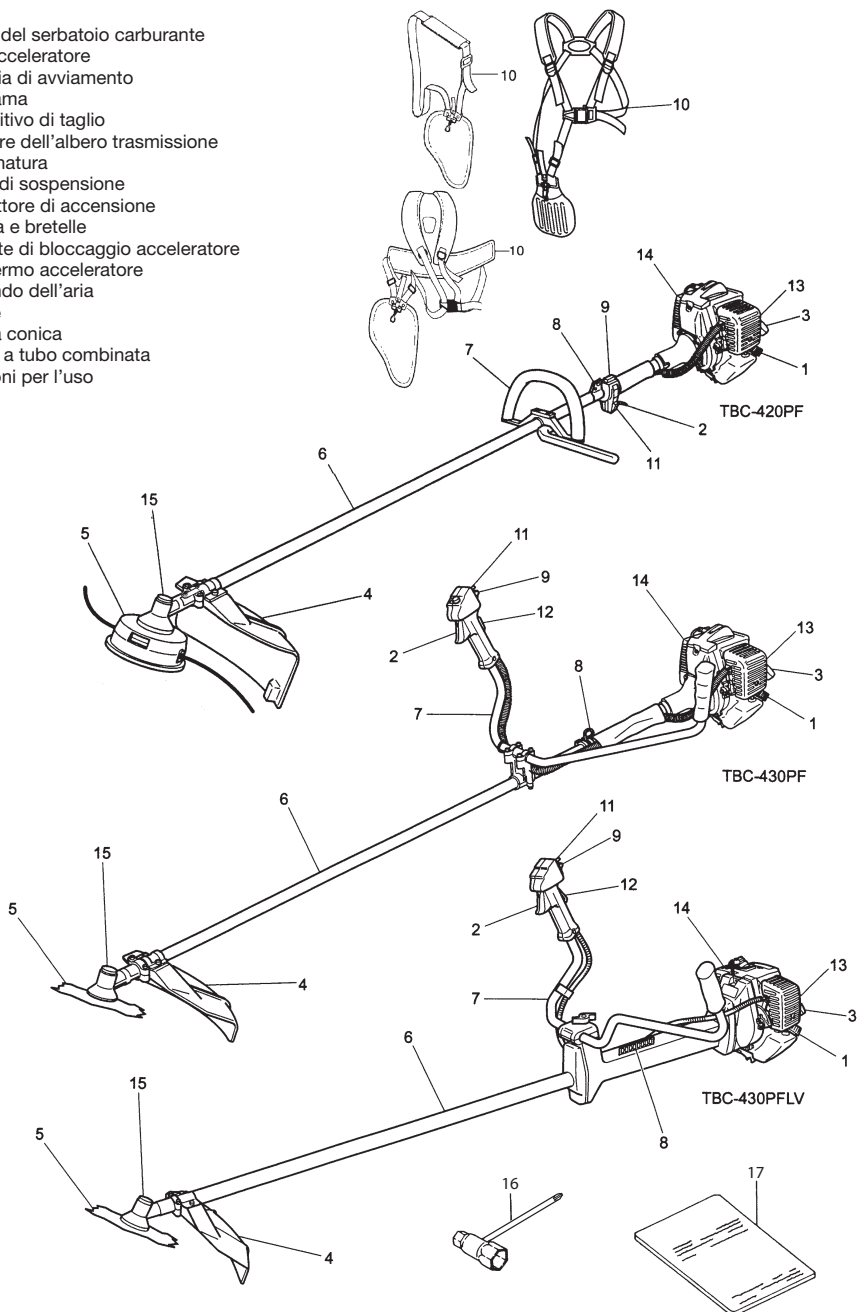
Sommario

Descrizione delle varie parti	2
Avvertenze e istruzioni per la sicurezza.....	3
Caratteristiche tecniche	4
Procedure di montaggio.....	5
Funzionamento.....	6
Manutenzione.....	7

Descrizione delle varie parti

Siccome il presente manuale si riferisce a svariati modelli, potrebbero esserci delle differenze tra le immagini e l'unità. Usare le istruzioni che si riferiscono all'unità.

1. Tappo del serbatoio carburante
2. Leva acceleratore
3. Maniglia di avviamento
4. Coprilama
5. Dispositivo di taglio
6. Tubolare dell'albero trasmissione
7. Impugnatura
8. Anello di sospensione
9. Interruttore di accensione
10. Cinghia e bretelle
11. Pulsante di bloccaggio acceleratore
12. Leva fermo acceleratore
13. Comando dell'aria
14. Motore
15. Coppia conica
16. Chiave a tubo combinata
17. Istruzioni per l'uso



Avvertenze e istruzioni per la sicurezza

Si deve inoltre prestare particolare attenzione alle parti del manuale precedute dai seguenti richiami:

ATTENZIONE
Indica la forte possibilità di lesioni fisiche gravi o anche fatali in caso di mancata osservanza delle istruzioni fornite.

ATTENZIONE

Indica la forte possibilità di lesioni fisiche gravi o danneggiamento della macchina in caso di mancata osservanza delle istruzioni fornite.

NOTA

Fornisce informazioni utili all'uso corretto della macchina.

Sicurezza dell'operatore

- Durante il taglio si deve sempre indossare una protezione completa per il viso o almeno per gli occhi.
- Indossare sempre pantaloni lunghi e pesanti, stivali antiscivolo e guanti. Non si deve indossare abbigliamento eccessivamente largo né gioielli, pantaloni corti e sandali, né tantomeno a piedi nudi. I capelli devono essere raccolti affinché rimangano sopra le spalle.
- Non si deve usare questa macchina quando si è stanchi, indisposti o sotto l'effetto di bevande alcoliche, medicine o droghe.
- Si deve impedire ai bambini o alle persone inesperte di usare la macchina.
- Proteggere le orecchie. Prestare attenzione a cosa succede attorno. In particolare occorre fare attenzione ad eventuali persone nelle vicinanze che potrebbero segnalare un problema. Dopo lo spegnimento del motore rimuovere immediatamente i dispositivi di sicurezza.
- Non mettere mai in moto o usare il motore in locali chiusi. I gas di scarico sono letali.
- Mantenere le maniglie sempre pulite da olio e carburante.
- Tenere le mani lontane dal dispositivo di taglio.
- Non aff errare né tenere l'unità per il dispositivo di taglio.
- Indossare sempre guanti per montare/smontare il dispositivo del taglio, per evitare gravi lesioni personali.
- Non appena si spegne l'unità, prima di deporla ci si deve accertare che il dispositivo di taglio si sia effettivamente arrestato.
- Durante le lunghe sessioni d'uso dell'apparecchio, si suggerisce di fare una pausa di tanto in tanto per evitare l'insorgere della sindrome da vibrazioni mano-braccio (HAVS).

ATTENZIONE

I sistemi antivibrazione non garantiscono la protezione della sindrome da vibrazioni mano-braccio o da quella del tunnel carpale. Di conseguenza le persone che usano in continuazione e regolarmente l'apparecchio devono mantenere sotto stretto controllo la condizione delle mani e della dita. All'eventuale comparsa dei sintomi di una di queste sindromi si raccomanda di rivolgersi immediatamente a un medico.

ATTENZIONE

I portatori di dispositivi elettrici o elettronici medicali, quali ad esempio gli stimolatori cardiaci, devono consultare sia un medico sia il produttore di tali dispositivi prima di usare l'apparecchio.

Sicurezza dell'unità/macchina

- Prima di usare l'unità/macchina, la si deve ispezionare a fondo. Se necessario se ne devono sostituire le parti danneggiate. In particolare occorre verificare che non vi siano perdite di carburante e che tutti i dispositivi di bloccaggio siano in posizione e saldamente serrati.
- Prima di usare l'unità/macchina, se ne devono sostituire tutte le parti eventualmente rotte, scheggiate o comunque danneggiate.
- Accertarsi che il carter di protezione sia fissato correttamente.
- Durante la regolazione del carburatore si devono tenere lontane le altre persone.
- Si devono usare esclusivamente gli accessori specifici chiaramente raccomandati dal costruttore per questa unità/macchina.

ATTENZIONE

L'unità/macchina non deve essere in alcun modo modificata. Non deve inoltre essere usata per scopi diversi da quelli cui è destinata.

Uso in sicurezza del carburante

- Il carburante deve essere miscelato e rifornito stando in un ambiente esterno e lontano da scintille e fiamme.
- Usare esclusivamente recipienti omologati per i carburanti.
- Non fumare né lasciare fumare gli altri nei pressi del carburante e dell'unità/macchina mentre la si usa.
- Prima di avviare il motore rimuovere qualsiasi traccia di carburante eventualmente fuoriuscito.
- Il motore deve essere avviato stando almeno a 3 metri di distanza dal luogo di rifornimento del carburante.

- Arrestare il motore prima di rimuovere il tappo del serbatoio del carburante.
- Prima di conservare l'unità/macchina se ne deve svuotare completamente il serbatoio del carburante. Questa precauzione deve essere adottata dopo ogni uso. Qualora s'intenda conservare l'unità con del carburante nel serbatoio si raccomanda almeno di verificarne che non vi siano perdite.
- Sia l'unità/macchina che il carburante devono essere conservati in un luogo dal quale i vapori non raggiungano scintille o fiamme libere di caldaie di riscaldamento dell'acqua, motori o interruttori elettrici, forni e così via.

ATTENZIONE

Poiché il carburante s'accende o esplose facilmente, e altrettanto facilmente lo si può inalare, mentre lo si maneggia e si rifornisce l'unità occorre prestare la massima attenzione.

Taglio in sicurezza

- Non tagliare materiali diversi da erba e cespugli.
- Controllare la zona da tagliare prima dell'uso dell'attrezzo. Rimuovere eventuali oggetti che possono essere lanciati a distanza o rimanere impigliati durante l'operazione di taglio.
- Durante le attività di taglio di legno spruzzato con insetticidi si raccomanda di proteggere le vie respiratorie indossando una mascherina per aerosol.
- Tenere le altre persone, bambini, gli animali ed altri estranei, distanti almeno 15 metri dalla zona di lavoro. Spegnerne immediatamente il motore non appena qualcuno si avvicina alla macchina.
- Tenere sempre il motore alla destra del corpo.
- Impugnare l'unità/macchina saldamente con entrambe le mani.
- Mantenere sempre una posizione di equilibrio. Non sbilanciarsi.
- A motore acceso si deve tenere il corpo ben lontano dalla marmitta e dal dispositivo di taglio.
- Tenere il dispositivo di taglio al di sotto del livello della vita.
- Prima di trasferirsi in un'altra zona di taglio si raccomanda di accertarsi che il dispositivo di taglio si sia completamente arrestato.
- Non deporre la macchina sul terreno mentre è in funzione.
- Prima di rimuovere i residui di legno o di erba dalla barra di guida e dal dispositivo di taglio si raccomanda di spegnere il motore e accertarsi che non vi sia alcuna parte in movimento.
- Durante l'uso della macchina è raccomandabile tenere sempre a portata di mano un kit di pronto soccorso.
- Non accendere la macchina in ambienti chiusi o negli edifici in cui nelle vicinanze di liquidi infiammabili. I gas di scarico sono letali.
- Utilizzare l'unità in conformità con le normative nazionali e locali.

Manutenzione in sicurezza

- L'unità/macchina deve essere mantenuta in accordo alle procedure raccomandate.
- Ad eccezione degli interventi di regolazione sul carburatore, prima di eseguire la manutenzione della macchina si deve rimuovere la candela di accensione.
- Durante la regolazione del carburatore si devono tenere lontane le altre persone.
- Si devono usare esclusivamente i ricambi originali Tanaka raccomandati dal costruttore della macchina.

ATTENZIONE

Non smontare l'avviatore a strappo sull'attrezzo. Ci si potrebbe ferire a causa della molla di contraccoppo.

ATTENZIONE

Se non eseguita correttamente la manutenzione potrebbe condurre a un grave danneggiamento del motore o a lesioni fisiche.

Trasporto e conservazione

- L'unità/macchina deve essere trasportata a mano con il motore spento e la marmitta tenuta ben lontana dal corpo.
- Prima di conservare o di trasportare l'unità/macchina a bordo di un veicolo se ne deve lasciar raffreddare il motore, svuotare il serbatoio del carburante e bloccarla adeguatamente in posizione.
- Prima di conservare l'unità/macchina se ne deve svuotare completamente il serbatoio del carburante. Questa precauzione deve essere adottata dopo ogni uso. Qualora s'intenda conservare l'unità con del carburante nel serbatoio si raccomanda almeno di verificarne che non vi siano perdite.
- Conservare l'unità/macchina lontana dalla portata dei bambini.
- Prima di conservare l'unità la si deve ben pulire e riporre quindi in un luogo asciutto.
- Durante il trasporto e la conservazione ci si deve accertare che l'interruttore del motore sia in posizione di spegnimento.
- Quando si trasporta la macchina in un veicolo, coprire la lama con il coperchio della lama.

In altre circostanze non riportate in questo manuale si raccomanda di adottare la massima cautela e usare inoltre buon senso. In caso di bisogno ci si può rivolgere al proprio rivenditore Tanaka.

Caratteristiche tecniche

MODELLO		TBC-420PF	TBC-430PF	TBC-430PFLV
Motore				
Cilindrata (cm ³) (ml)		39.8 (2.43 cu.in)		
Candela di accensione		NGK RCJ8Y o equivalente		
Regime minimo del motore (min ⁻¹)		2,800		
Velocità max. raccomandata (min ⁻¹)		11,500		
Velocità dell'albero motore (min ⁻¹)		8,700		
Max. potenza motore (kW)		1.28 kw (@6,500 min ⁻¹)		
Capacità del serbatoio del carburante (cm ³) (ml)		1,000 (33.8 fl. oz)		
Peso a secco (kg)		7.3 (16.1 lbs)	7.7 (16.9 lbs)	8.3 (18.3 lbs)
Del dispositivo di taglio	Tipo / diametro. (mm)	Cavo di nylon	Lama metallica 3Tx255	Lama metallica 3Tx305
Livello di pressione acustica LpA (dB (A))	(ISO 22868)			
	Equivalente	99.2	99.2	95.5
	Incertezza	3	3	3
Livello potenza sonora misurata LwA (dB (A))	(ISO 22868)			
	Equivalente	112	108	108
Livello potenza sonora garantita LwA (dB (A))	(2000/14/EC)			
	In funzione	116	116	116
Livello di vibrazione (m/s ²)	(ISO 22867)			
	Equivalente (impugnatura anteriore / sinistra)	3.9	3.4	3.4
	Equivalente (impugnatura posteriore / destra)	2.7	4.3	2.6
	Incertezza	1.5	1.5	1.5
	Inattiva (impugnatura anteriore / sinistra)	3.0	3.4	3.6
	Inattiva (impugnatura posteriore / destra)	2.8	3.3	2.3
	In funzione (impugnatura anteriore / sinistra)	4.5	3.4	3.3
	In funzione (impugnatura posteriore / destra)	2.5	5.2	2.9

NOTA : I livelli equivalenti di rumore e vibrazione sono stati calcolati come la media ponderata nel tempo dell'energia totale prodotta in varie condizioni di lavoro e con la seguente distribuzione temporale: 1/2 minimo, 1/2 velocità di lavoro.

* Tutti i dati contenuti nel manuale sono soggetti a modifica senza preavviso.

Procedimento di montaggio

Montaggio dell'albero motore al motore (Fig. 1)

Applicate il motore alla scatola della frizione (2) con le quattro viti o i quattro bulloni (1) in dotazione.

Montaggio del manubrio (Fig. 2)

Montare il manubrio sul tubo dell'albero motore facendo attenzione che sia inclinato verso il motore.

Regolarne la posizione secondo le proprie esigenze, ma non troppo vicina alla testa di forza motrice, prima di iniziare a lavorare.

NOTA

Osservi, se presente sul Suo apparecchio, il cartello sul tubo dell'albero di comando, con le informazioni sulla tenuta corretta dell'apparecchio.

Montaggio del manubrio (Fig. 3, 4)

Toglie la parte superiore del morsetto (1) del manubrio. (Fig. 3) Posizionare le due parti del manubrio e fissare il morsetto con i quattro bulloni, senza serrare. Regolare la posizione del manubrio secondo le proprie esigenze e serrare poi completamente i bulloni.

Sganciare il cuscinetto di fianco e ci avvolgere i cordoni d'arresto forniti di tubo come pure il filo a farfalla (1) (Fig. 6)

NOTA per il TBC-430PFLV (Fig. 5, 6)

L'albero motore ed il motore di questo modello si montano precedentemente nella fabbrica. Questo è tutto quello che si deve fare : fissare l'impugnatura di farfalla sul manubrio con una vite ed un dado e, poi, installarla sul morsetto. Awitare a fondo sicuramente il dado di maniglia.

Filo del gas / Cavo di arresto

Rimuovete il coperchio del filtro dell'aria. (Fig. 7)

Collegare i cavi di arresto. (Fig. 8)

Collegare l'estremità del filo dell'acceleratore al carburatore. (Fig. 8)

Coprire il filo dell'acceleratore e fermare i cavi insieme con la guaina di protezione in dotazione fino al coperchio del filtro dell'aria. (Fig. 9)

Montaggio del coprilama (Fig. 10)

NOTA

È possibile che, su alcuni modelli, il supporto sia già applicato di serie all'asta.

Montare il coprilama sul tubo dell'albero trasmissione contro la scatola ingranaggi. Serrare bene il morsetto del coprilama in modo che il coprilama non oscilli e non si muova durante il lavoro.

IMPORTANTE

Alcuni coprilama sono dotati di taglia filo. Attenzione nel maneggiarli.

NOTA (Fig. 10)

Se si utilizza una testina in alluminio Tanaka (CH-100 o CH-300) sull'unità, è necessario installare il taglia filo (2) (Se la macchina ne è dotata) in dotazione nel sacchetto degli utensili, fissandolo saldamente al coprilama con il bullone (3).

Quando si usa una testina a filo con coprilama di tipo di due pezzi, applicare l'estensione al coprilama. (Fig. 11)

NOTA

Nel fissare l'estensione al coprilama, è necessario rimuovere il taglia filo dal coprilama (se presente).

NOTA

Se l'unità è munita di un'etichetta indicante l'ubicazione del coprilama sul tubo dell'albero di trasmissione, seguire la figura.

NOTA

Per rimuovere l'estensione, fare riferimento alle figure.

Indossare dei guanti perché l'allungamento ha un taglia filo affilato, quindi premere le quattro linguette quadrate sul coprilama una alla volta, nell'ordine. (Fig. 12)

Montaggio della lama (Fig. 13, 14)

(Se la macchina ne è dotata)

Quando si monta una lama, assicurarsi che la lama non sia incrinata o danneggiata e che i denti siano orientati nella giusta direzione.

NOTA

- Quando si installa la piastrina fermadisco (1), assicurarsi che il lato concavo sia rivolto verso l'alto.
- Inserire la chiave a barra esagonale (2) nel foro sull'ingranaggio concorrente per bloccare il fermadisco (3). Notare che il bullone o dado di fissaggio (4) è a filettatura sinistrorsa, (in senso orario si allenta/ in senso anti-orario si stringe). Serrare il bullone di fissaggio o il dado con la chiave tubolare.

NOTA

Se il suo elemento è del tipo di fissaggio a dado e provvisto di una chiave trasversale, la lama deve sostenersi per mezzo di una coppia nuova (5) ogni volta quando sia effettuato il montaggio. (Fig. 15)

ATTENZIONE

Prima del lavoro, controllare la lama per verificare che sia stata montata correttamente.

ATTENZIONE

Se la macchina è stata dotata di una calotta di protezione sotto la lama tagliente, assicurarsi prima del funzionamento che ci sia usura eccessiva o non ci siano fessure. Se si trova usura o guasti, sostituire la protezione come articolo di consumo.

Installazione della testina di taglio semi-automatica

NOTA!

Per quanto riguarda l'installazione, fare mento al manuale di istruzioni in dotazione alla testina da taglio.

⚠ ATTENZIONE!

Per prestazioni e affi dabilità ottimali, utilizzare sempre un filo di taglio di nylon Tanaka. Non usare mai fili o altri materiali che potrebbero trasformarsi in un pericoloso proiettile.

Installazione della testina da taglio Brain

NOTA

Per quanto riguarda l'installazione, fare riferimento al manuale di istruzioni Brain in dotazione con la testina da taglio Brain.

⚠ ATTENZIONE

Per testine Tanaka Brain o testine in lega Tanaka, usare solo un filo flessibile, non metallico, consigliato dal fabbricante.

Non usare mai fili o funi metalliche. Potrebbero spezzarsi e trasformarsi in proiettili pericolosi.

NOTA

Quando viene usata la testina in lega Tanaka (CH-100), la lunghezza della linea di taglio iniziale deve essere circa 17 cm. (Fig. 16)

Funzionamento

Carburante (Fig. 17)

⚠ ATTENZIONE!

- Il motore del bordatore è a due tempi. È pertanto necessario usarlo con miscela di benzina ed olio. Sia durante il rifornimento di carburante sia durante l'uso si deve garantire all'unità la necessaria ventilazione.
- Poiché il carburante è altamente infiammabile può causare gravi lesioni in caso di inalazione o contatto con la pelle. Durante il rifornimento è pertanto necessario prestare la massima attenzione. Anche all'interno degli edifici il carburante deve essere maneggiato solo se sufficientemente ventilati.

Carburante

- Con questa unità si deve usare benzina di buona marca a 89 ottani senza piombo.
- Si deve usare olio puro per motori a due tempi oppure una miscela da 25:1 a 50:1; per istruzioni sul corretto rapporto di miscelazione si prega di vedere l'etichetta sul recipiente o di rivolgersi al proprio rivenditore Tanaka.
- Solo per lo stato della California di 50:1.
- In caso d'indisponibilità di olio puro si raccomanda di usarne uno anti-ossidante di alta qualità espressamente dedicato ai motori a due tempi raffreddati ad aria (JASO FC GRADE OIL o ISO EGC GRADE). Non si deve usare olio miscelato con BIA o TCW (per motori a due tempi raffreddati ad acqua).
- Non si deve usare olio di tipo "quattro stagioni" (10 W/30) o di scarto.
- Olio e carburante devono essere miscelati a parte in un recipiente pulito.

Si suggerisce di versare dapprima la metà della benzina da usare aggiungendo quindi l'intera quantità di olio. Agitare bene la miscela così composta. Versare quindi la quantità rimanente di benzina. Prima di rifornire la motosega si suggerisce di agitare bene l'intera miscela ottenuta.

Quantità di benzina e olio per la miscela

Benzina (litri)	Olio per motori a due tempi (ml)	
	Rapporto 50:1	Rapporto 25:1
0,5	10	20
1	20	40
2	40	80
4	80	160

Rifornimento

⚠ ATTENZIONE

- Prima di rifornire l'unità di carburante la si deve spegnere.
- Il serbatoio del carburante dovrebbe essere aperto lentamente in modo da liberare la sovrappressione creatasi all'interno.
- Dopo il rifornimento si deve chiudere bene il tappo del serbatoio.

- Il motore deve essere avviato ad almeno 3 metri di distanza dal luogo di rifornimento del carburante.
- Qualora il carburante si riversi sull'abbigliamento lo si deve rimuovere immediatamente con del sapone.
- Dopo il rifornimento è raccomandabile verificare l'eventuale presenza di perdite.

Prima di procedere con il rifornimento di carburante è opportuno pulire bene l'area del tappo del serbatoio per impedire che vi penetri sporcizia. Occorre altresì agitarne bene il recipiente per assicurare la corretta miscelazione.

Avviamento del motore (Fig. 18, 19, 20, 21)

ATTENZIONE

Prima di mettere in moto, assicurarsi che il dispositivo di taglio non tocchi niente.

1. Portare l'interruttore di accensione (1) nella posizione ON (accensione) (Fig. 18, 19)
 - * Premere ripetutamente il bulbo (4) della pompa di adescamento per far affluire la miscela al carburatore attraverso il tubo di ritorno (5). (se la macchina ne è fornita) (Fig. 20)
2. Con il fermo del comando dell'acceleratore (2) premuto (se presente), tirare il comando dell'acceleratore e premere il fermo dell'acceleratore (3), quindi rilasciare lentamente il comando dell'acceleratore e il fermo del comando dell'acceleratore. In tal modo, l'acceleratore si bloccherà in posizione di avviamento. (Fig. 18, 19)
3. Chiudere l'aria portando la leva in posizione CHIUSA (4). (Fig. 21)
4. Afferrando bene la maniglia dell'unità affinché non scappi tirare con forza l'avviatore autoavvolgente.
5. Ai primi scoppi del motore, riaprire l'aria riportando la leva in posizione APERTA. Quindi agire nuovamente sulla maniglia di avviamento.

NOTA

Se il motore non si accende occorre ripetere i passi da 2 a 5 della procedura di avviamento appena descritta.

6. Dopo aver avviato il motore, tirare la leva dell'acceleratore per rilasciare il pulsante bloccaggio acceleratore. Quindi, lasciar scaldare il motore per circa 2-3 minuti prima di sottoporlo a qualsiasi carico.

Operazioni di taglio (Fig. 22, 23, 24, 25)

- Far funzionare il motore a una velocità maggiore di 6500 giri al minuto mentre si fa il taglio. L'utilizzo prolungato a bassa velocità di giri al minuto potrebbe usurare prematuramente la frizione.
- Tagliare l'erba da destra verso sinistra.
- La spinta della lama può verificarsi quando la lama rotante tocca un oggetto solido nell'area critica. Può avvenire una reazione pericolosa a causa della quale l'intera unità e l'operatore possono subire una violenta spinta. Questa reazione è detta spinta della lama. Come risultato di ciò, l'operatore può perdere il controllo dell'unità, il che può causare lesioni gravi o fatali. La spinta della lama può verificarsi con maggiore probabilità in aree in cui è difficile vedere il materiale da tagliare.
- Indossare la cinghia e le bretelle come illustrato (se la macchina ne è fornita). La lama ruota in senso anti-orario, per maggiore efficienza di taglio, tagliare con movimento semicircolare da destra verso sinistra. Tenere eventuali estranei ad almeno 15 m di distanza dall'area di lavoro.

NOTA

Premere il pulsante di sgancio rapido o tirare la cerniera di sgancio di emergenza (se l'apparecchio ne è fornito) nell'eventualità di una situazione pericolosa. (Fig. 24)

ATTENZIONE

Se durante il lavoro il dispositivo di taglio dovesse colpire pietre o altri ostacoli, spegnere immediatamente il motore e verificare che l'accessorio e le relative parti siano in buone condizioni. Se erbe lunghe o fibre si avvolgessero attorno al dispositivo, spegnere sempre il motore prima di rimuoverle.

Arresto del motore (Fig. 26)

Diminuire la velocità del motore e farlo girare senza carico per alcuni minuti e, poi, spostare il pulsante dell'accensione su STOP.

ATTENZIONE

Un dispositivo di taglio può ferire mentre continua a girare dopo che il motore è stato fermato o dopo che il comando di potenza è stato rilasciato. Non appena si spegne l'unità, prima di deporla ci si deve accertare che il dispositivo di taglio si sia effettivamente arrestato.

Manutenzione

LA MANUTENZIONE, LA SOSTITUZIONE E LA RIPARAZIONE DEI DISPOSITIVI DI CONTROLLO DELLO SCARICO POSSONO ESSERE AFFIDATE A QUALSIASI RIPARATORE PER MOTORI NON VEICOLARI.

Regolazione del carburatore (Fig. 27)

ATTENZIONE

Il dispositivo di taglio potrebbe girare velocemente durante le regolazioni del carburatore.

ATTENZIONE

Non si deve avviare il motore senza il carter della frizione e il tubo completamente montati! In caso contrario la frizione potrebbe staccarsi e causare lesioni.

Insieme al carburante nel carburatore fluisce aria. Quando il motore viene collaudato in fabbrica, il carburatore viene tarato. Può essere necessario ricontrollare la taratura a seconda del clima e dell'altitudine. Il carburatore ha solo una possibilità di regolazione:
T = Vite di regolazione del minimo.

Regolazione del minimo (T)

Verifi care innanzi tutto che il filtro dell'aria sia pulito. Quando la velocità al minimo dell'unità è corretta il dispositivo di taglio non deve girare. Se tuttavia se ne rende necessaria la regolazione è suffi ciente chiudere (ruotando in senso orario) la vite T mentre il motore è in marcia sino a quando il dispositivo di taglio inizia a muoversi. Chiudere quindi la vite (ruotandola in senso antiorario) sino a quando il dispositivo si arresta. Si è ottenuta la corretta velocità di rotazione del motore al minimo quando esso gira regolarmente in ogni posizione della macchina ben al di sotto del regime di giri necessario al movimento del dispositivo.

Se il dispositivo di taglio si muove anche dopo aver regolato il motore al minimo si raccomanda di rivolgersi al proprio rivenditore Tanaka.

NOTA

Il numero di giri del motore al minimo normalmente è 2,500-3,000 min⁻¹.

NOTA

Alcuni modelli venduti nelle zone in cui sono in vigore norme rigorose sull'emissione dei gas di scarico non sono provvisti della possibilità di regolazione del carburatore al minimo e al massimo. Tali regolazioni permetterebbero infatti alla macchina di essere usata al di fuori dei propri limiti di conformità. Per questi modelli l'unica regolazione possibile è quella del minimo.

Per i modelli equipaggiati con le regolazioni di massimo e di minimo, i carburatori sono prerregolati dalla fabbrica. Piccole regolazioni possono ottimizzare le prestazioni in base al clima, all'altitudine, ecc. Non girare mai le viti di regolazione con incrementi superiori a 90 gradi, poiché con una regolazione errata si può provocare danni al motore. Se non si ha esperienza con questo tipo di regolazione, chiedere assistenza al proprio rivenditore Tanaka.

ATTENZIONE

Con il motore al minimo il dispositivo di taglio non deve assolutamente muoversi.

Filtro dell'aria (Fig. 28)

Il filtro dell'aria deve essere tenuto pulito dalla polvere e dalla sporcizia per evitare:

- Il malfunzionamento del carburatore
- Problemi di avviamento del motore
- La perdita di potenza del motore
- L'usura prematura delle parti del motore
- Un consumo anormale di carburante

Se si lavora in zone molto polverose si deve pulire il filtro dell'aria una volta al giorno o anche con maggior frequenza.

Pulizia del filtro dell'aria

Rimuovere il coperchio del filtro dell'aria e quindi l'elemento filtrante (1). Lavarlo con acqua tiepida saponata. Prima di riassemblare il filtro verificare che sia ben asciutto. Un filtro che è stato usato per un lungo periodo non potrà mai essere pulito completamente. Pertanto, deve essere sostituito con regolarità con un altro nuovo. Se il filtro si danneggia lo si deve sostituire immediatamente.

Filtro del carburante (Fig. 29)

Far defl uire tutto il carburante dal serbatoio del carburante ed estrarre il tubo con il filtro del carburante dal serbatoio. Estrarre l'elemento filtrante dal gruppo portafiltro e lavarlo in acqua calda e detergente. Risciacquarlo bene finché ogni traccia di detergente è stata eliminata. Eliminare l'acqua in eccesso comprimendo l'elemento, e non strizzandolo, e lasciar asciugare l'elemento all'aria.

NOTA

Se il filtro si presentasse indurito a causa di polvere e sporco, sostituirlo.

Candela (Fig. 30)

Lo stato della candela dipende:

- Dalla non corretta regolazione del carburatore
- Dalla non corretta composizione del carburante (troppo olio rispetto alla quantità di benzina)
- Dalla sporcizia del filtro dell'aria

- Dalla criticità delle condizioni d'uso della macchina (ad esempio nei climi freddi)

Questi fattori possono causare la formazione di depositi sugli elettrodi e, di conseguenza, il malfunzionamento del motore e difficoltà di avviamento. La condizione della candela va controllata particolarmente quando il motore perde di potenza, si avvia con difficoltà o non gira con regolarità al minimo. Se la candela è sporca la si deve pulire e se ne deve controllare la distanza tra gli elettrodi, eventualmente regolandola. Riregolarla se necessario. La distanza corretta è di 0,6 mm. La candela di accensione dovrebbe in ogni caso essere sostituita ogni circa 100 ore d'uso della macchina o anche prima se gli elettrodi appaiono molto corrosi.

NOTA

In alcune zone le norme locali richiedono l'impiego di una candela a resistore per sopprimere il rumore elettromagnetico causato dalla scintilla di accensione. Se questa macchina era originariamente dotata di una candela a resistore, in caso di sostituzione se ne deve usare una di tipo analogo.

Coppia conica (Fig. 31)

Controllare il livello di lubrifi cante della coppia conica o dell'ingranaggio conico ogni 50 ore di impiego circa rimuovendo il tappo del serbatoio del lubrifi cante sul lato della coppia conica. Se non si vedono tracce di lubrificante sui fianchi degli ingranaggi, riempire la trasmissione con del lubrifi cante multiuso a base di litio di qualità fino a 3/4. Non riempire la trasmissione completamente.

Lama (Fig. 32)

ATTENZIONE

Indossare guanti di protezione durante la manipolazione o la manutenzione della lama.

- Usare una lama affilata. Una lama smussata è più incline a impigliarsi e a causare la reazione di spinta. Sostituire il dado di fissaggio se danneggiato o se risulta difficile da serrare.
- Durante la sostituzione della lama, acquistarne una raccomandata da Tanaka, con foro d'attacco da 25,4 mm (un pollice).
- Durante il montaggio di una lama a sega (2), rivolgere sempre verso l'alto il lato con il marchio. Nel caso di lama a 3 o 4 denti (1), è possibile utilizzarle da ambo le parti.
- Usare la lama adatta al tipo di lavoro.
- Durante la sostituzione delle lame, usare attrezzi appropriati.
- Quando i bordi taglienti perdono il filo, riaffilarli o limarli come illustrato in figura. Un'affilatura non corretta può causare eccessive vibrazioni.
- Scartare lame eventualmente piegate, deformate, incrinare, rotte o comunque danneggiate.

NOTA

Durante l'affilatura della lama, è importante mantenere il profi lo originale nella curvatura alla base del dente, per evitare la rottura.

Programma di manutenzione

Di seguito si riportano alcune istruzioni generali di manutenzione. Per ulteriori informazioni al riguardo si prega di rivolgersi al proprio rivenditore Tanaka.

Manutenzione giornaliera

- Pulire le superfi ci esterne dell'unità.
- Controllare l'integrità della cinghia e delle bretelle.
- Controllare l'integrità del coprilama. Sostituire il coprilama in caso di urti o spaccature.
- Controllare che il dispositivo di taglio sia bilanciato e integro, senza incrinature. Se il dispositivo di taglio è fuori centro, forti vibrazioni possono danneggiare la macchina.
- Controllare che il dado del dispositivo di taglio sia ben serrato.
- Accertarsi che la protezione di trascinarsi della lama non sia danneggiata e che sia saldamente fissata.
- Verificare che i dadi e le viti siano ben serrate.

Manutenzione settimanale

- Controllare l'avviatore avvolgente, in particolare il filo.
- Pulire esternamente la candela di accensione.
- Rimuovere la candela di accensione e controllare la distanza tra gli elettrodi. Se necessario, regolarla a 0,6 mm oppure sostituire la candela.
- Verificare che il collettore di aspirazione dell'aria sull'avviatore non sia intasato.
- Controllare che la scatola degli ingranaggi sia ingrassata fino a 3/4.
- Pulire il filtro dell'aria.

Manutenzione mensile

- Lavare il serbatoio del carburante con benzina e pulirne inoltre il filtro.
- Pulire la parte esterna del carburatore e la zona ad esso adiacente.

Manutenzione trimestrale

- Pulire le alette di raffreddamento del cilindro.
- Pulire la ventola e la zona ad essa adiacente.
- Rimuovere dalla marmitta i depositi carboniosi.

AVVERTENZA

La pulizia di alette dei cilindri, ventola e silenziatore deve essere effettuata da un rivenditore autorizzato Tanaka.









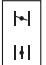





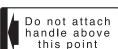

Parascintille

Se l'attrezzo è munito di uno schermo parascintille e le disposizioni locali richiedono l'uso di un parascintille per la prevenzione di possibili incendi, applicare lo schermo parascintille alla marmitta staccando il dispositivo di protezione della marmitta e le altre parti connesse.

(Il parascintille è conforme alle norme SAE J335-SEP90 e CSA CAN3-Z62, 1-M77.)

Betekenis basn de symbolen

IPMERKING : Sommige machines zijn hier niet van voorzien.

Symbolen ⚠ WAARSCHUWING Hieronder staan symbolen afgebeeld die van toepassing zijn op deze machine. U moet de betekenis hiervan begrijpen voor gebruik.			
	<p>Het is belangrijk dat u de volgende veiligheidsaanwijzingen en waarschuwingen leest, goed begrijpt en opvolgt. Nalatig of onjuist gebruik van de machine kan ernstig of zelfs dodelijk letsel veroorzaken.</p>		<p>Als het draaiende mes tegen een hard voorwerp botst, kan het plotseling wegspringen. Hierdoor kan een gevaarlijke situatie ontstaan waardoor de machine en ook de bediener weggeslingerd kunnen worden. Deze reactie heet "messlingering". De bediener kan de controle over de machine verliezen met ernstig of zelfs fataal letsel tot gevolg. Messlingering komt meestal voor op plaatsen waar het te snijden materiaal moeilijk te zien is.</p>
	<p>Lees alle waarschuwingen en aanwijzingen in deze gebruiksaanwijzing en op de machine zelf, zorg ervoor dat u ze begrijpt en volg ze stipt op.</p>		
	<p>Draag altijd oog-, hoofd- en gehoorbescherming wanneer u deze machine gebruikt.</p>		<p>Mengsel van benzine en olie.</p>
	<p>Gebruik geen metalen/onbuigzame mesbladen als dit symbool op de machine staat.</p>		<p>Raak de demper en de omringende onderdelen niet aan want deze kunnen erg heet zijn.</p>
	<p>Houd alle kinderen, omstanders en helpers 15 m van het apparaat vandaan. Als iemand nabij komt, zet de motor en het snijgereedschap dan onmiddellijk stop.</p>		<p>Verklaart de positie van de choke. Het bovenste teken betekent dat de choke gesloten is; het onderste teken dat de choke geheel geopend is.</p>
	<p>Pas op voor voorwerpen die weggeslingerd kunnen worden.</p>	<p style="font-size: 2em; text-align: center;">T</p>	<p>Carburatorinstelling - Onbelast</p>
 <p>Max 9.900rpm</p>	<p>Geeft de maximale assnelheid aan. Gebruik geen snijgereedschap met een lagere assnelheid dan de aangegeven snelheid (rpm).</p>	<p style="font-size: 2em; text-align: center;">L</p>	<p>Carburatorinstelling – Lage snelheid</p>
	<p>Draag indien nodig handschoenen, bijv. bij het monteren van het snijgereedschap.</p>	<p style="font-size: 2em; text-align: center;">H</p>	<p>Carburatorinstelling – Hoge snelheid</p>
	<p>Gebruik glijvaste en stevige laarzen.</p>		<p>Startpomp</p>
 <p>Do not attach handle above this point</p>	<p>Geeft de plaats van de handgreep aan. Bevestig de handgreep nooit hoger dan dit punt.</p>	 <p>LWA 116 dB</p>	<p>Gegarandeerd geluidsniveau</p>
<p>Woordt u de machine gebruikt</p> <ul style="list-style-type: none"> • Lees de gebruiksaanwijzing zorgvuldig door. • Controleer of het snijgereedschap juist gemonteerd en afgesteld is. • Start de machine en controleer of de carburateur juist is afgesteld. Zie "ONDERHOUD". 		<p>⚠ WAARSCHUWING</p> <p>De uitlaatgassen van dit product bevatten chemische stoffen die volgens de staat van Californië kanker, geboortefwijkingen en andere schade aan de voortplantingsorganen kunnen veroorzaken</p>	

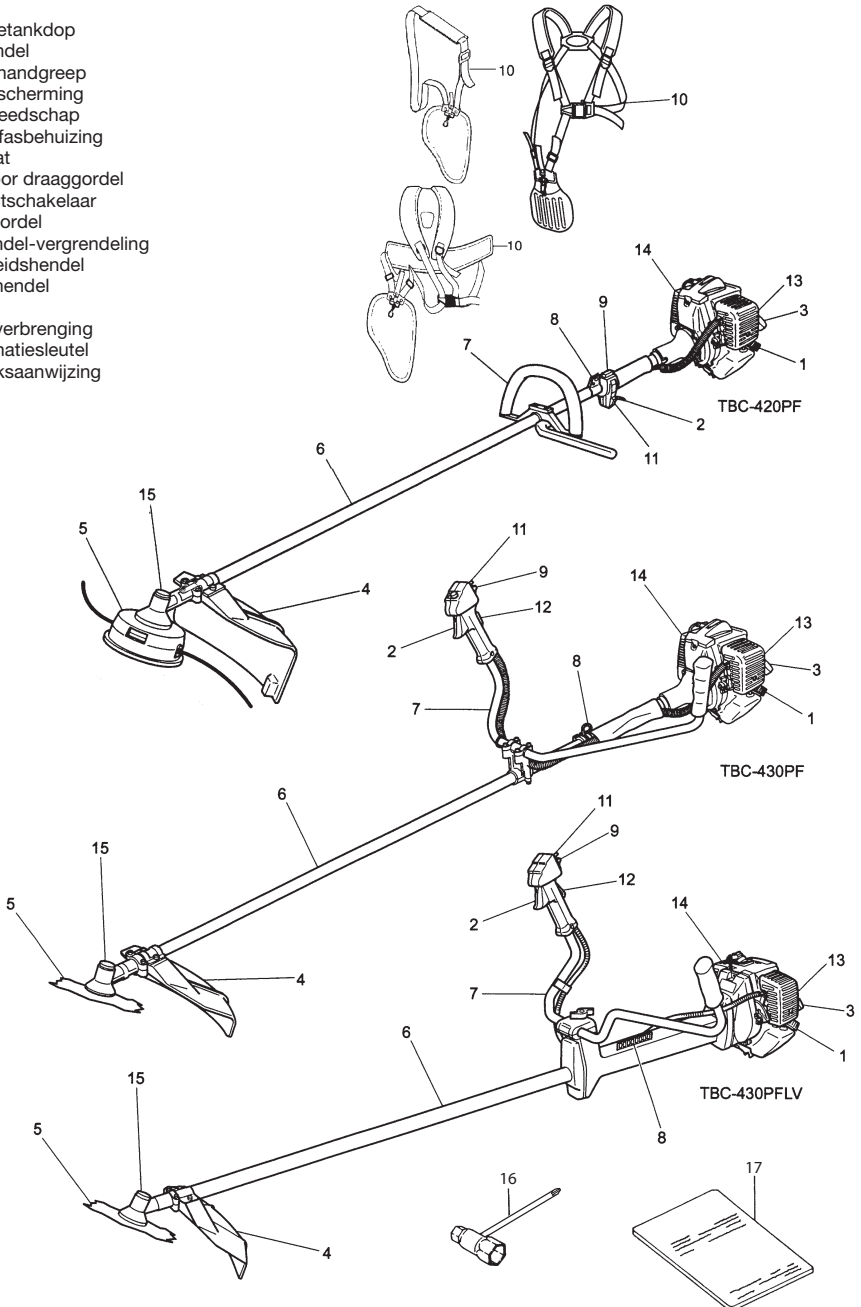
Inhoudsopgave

Wat is wat	2
Waarschuwingen en veiligheidsinstructies.....	3
Specificaties	4
Montageprocedure.....	5
Bediening	6
Onderhoud	7

Wat is wat

Aangezien in deze gebruiksaanwijzing meerdere modellen worden beschreven, kunnen er verschillen zijn tussen uw machine en de afbeeldingen. Volg de instructies die op uw machine van toepassing zijn.

1. Benzinetankdop
2. Gashendel
3. Starterhandgreep
4. Mesbescherming
5. Snijgereedschap
6. Aandrijfasbehuizing
7. Handvat
8. Oog voor draaggordel
9. Contactschakelaar
10. Draaggordel
11. Gashendel-vergrendeling
12. Veiligheidshendel
13. Chokehendel
14. Motor
15. Hoekoverbrenging
16. Combinatiesleutel
17. Gebruiksaanwijzing



Waarschuwingen en veiligheidsinstructies

Let in het bijzonder op aanwijzingen die beginnen met de volgende woorden:

⚠ WAARSCHUWING

Geef aan dat er een verhoogd risico bestaat op ernstig persoonlijk letsel of zelfs de dood als de aanwijzingen niet worden opgevolgd.

LET OP

Geef aan dat er risico bestaat op persoonlijk letsel of zaakschade als de aanwijzingen niet worden opgevolgd.

OPMERKING

Nuttige informatie voor correct functioneren en gebruik van de machine.

Veiligheid van de gebruiker

- Draag altijd een vizier of veiligheidsbril.
- Draag altijd een dikke, lange broek, niet slippende laarzen en handschoenen. Draag geen loszittende kleding, sieraden, een korte broek, sandalen en werk nooit blootsvoets. Draag lang haar samengebonden zodat het maximaal schouderlang is.
- Gebruik deze machine niet wanneer u moe of ziek bent, of alcohol, drugs of medicijnen heeft ingenomen.
- Laat in geen geval kinderen of onervaren personen de machine gebruiken.
- Draag gehoorbescherming. Let op uw omgeving. Let op omstanders die eventueel problemen aangeven. Verwijder veiligheidsuitrusting pas nadat de motor volledig gestopt is.
- Start de motor niet en laat de motor niet lopen in een afgesloten ruimte of gebouw. Inademen van uitlaatgassen kan dodelijk zijn.
- Houd de handgrepen vrij van olie en brandstof.
- Houd uw handen weg van het snijgereedschap.
- Houd of pak de machine niet vast aan het snijgereedschap.
- Draag altijd handschoenen bij het monteren of demonteren van het snijgereedschap om ernstig lichamelijk letsel te voorkomen.
- Wanneer de machine uit wordt gezet, moet u controleren of het snijgereedschap inderdaad helemaal gestopt is voor u de machine neerzet.
- Wanneer de werkzaamheden lang duren, moet u regelmatig pauzeren om lichamelijk letsel als gevolg van de trillingen van de machine (fenomeen van Raynaud/"dode" vingers) te voorkomen.

⚠ WAARSCHUWING

Systemen voor het dempen van de trillingen kunnen niet garanderen dat u geen fenomeen van Raynaud ("dode" vingers) of carpale-tunnelsyndroom kunt oplopen. Daarom moeten gebruikers die regelmatig en/of langdurig met de machine werken de toestand van hun handen en vingers zorgvuldig in de gaten houden. Als u merkt dat één van de bovengenoemde klachten zich voordoet, moet u onmiddellijk een arts raadplegen.

⚠ WAARSCHUWING

Als u medische elektrische/elektronische apparatuur gebruikt, zoals een pacemaker, moet u eerst uw arts raadplegen en contact opnemen met de fabrikant van de apparatuur voordat u elektrisch of op andere wijze aangedreven gereedschap gaat gebruiken.

Veiligheid/beveiliging van de machine

- Controleer de machine elke keer voor u hem gaat gebruiken.
- Vervang beschadigde onderdelen. Controleer of er brandstoflekkages zijn en of alle bevestigingsmiddelen aanwezig zijn en goed vast zitten.
- Vervang onderdelen met barsten of stukjes eraf, of onderdelen die op een andere manier beschadigd zijn voor u de machine gaat gebruiken.
- Controleer of de mesbescherming goed aangebracht is.
- Houd anderen uit de buurt wanneer u de carburateur afstelt.
- Gebruik uitsluitend accessoires die speciaal voor deze machine worden aanbevolen door de fabrikant.

⚠ WAARSCHUWING

Breng in geen geval wijzigingen aan de machine aan. Gebruik de machine in geen geval voor werkzaamheden waar deze niet voor bedoeld is.

Veiligheid en brandstof

- Meng en tank brandstof in de buitenlucht en buiten bereik van vonken en vlammen.
- Gebruik een voor brandstof goedgekeurde tank of jerrycan.
- Rook niet en sta roken ook niet toe in de buurt van brandstof van de machine zelf wanneer de machine wordt gebruikt.
- Veeg alle gemorste brandstof weg voor u de motor start.

- Ga minstens 3 meter van de plaats waar u getankt heeft vandaan voor u de motor start.
- Stop de motor voor u de brandstofopvang verwijderd.
- Maak de brandstoftank helemaal leeg voor u de machine opbergt. We raden u aan de tank elke keer nadat u de machine gebruikt heeft, leeg te maken. Als er brandstof in de tank blijft zitten, moet u ervoor zorgen dat er geen brandstof kan lekken.
- Bewaar de machine en de brandstof op een plek waar de brandstofdampen niet kunnen worden ontstoken door vonken of open vuur van bijv. geisers, boilers, elektrische motoren of schakelaars, verwarmingstoestellen enz.

⚠ WAARSCHUWING

Brandstof is licht ontvlambaar, kan ontploffen en is schadelijk wanneer de dampen ervan worden ingeademd; wees dus bijzonder voorzichtig wanneer u met brandstof omgaat of tankt.

Veilig snoeien

- Snoei geen ander materiaal dan gras of bosjes.
- Controleer het gebied dat u gaat snoeien voordat u begint. Verwijder alle voorwerpen die klem kunnen komen te zitten of weggeslingerd kunnen worden.
- Draag een goed masker om uw luchtwegen te beschermen wanneer u gras maait dat met een insecticide is behandeld.
- Houd iedereen, waaronder kinderen, dieren, omstanders en helpers, buiten de 15 meter gevarenszone. Stop de motor onmiddellijk als er iemand op u af komt.
- Houd de motor altijd rechts van uw lichaam.
- Houd de machine met beide handen stevig vast.
- Zorg ervoor dat u stevig staat en goed in evenwicht blijft. Reik niet te ver.
- Houd uw lichaamsdelen uit de buurt van de uitlaat en het snijgereedschap wanneer de motor loopt.
- Houd het snijgereedschap altijd lager dan uw middel.
- Wanneer u naar een nieuwe werkplek gaat, moet u eerst de machine uit zetten en controleren of het snijgereedschap inderdaad gestopt is.
- Zet de machine in geen geval op de grond terwijl deze nog loopt.
- Controleer altijd eerst of de motor uit is en of het snijgereedschap volledig gestopt is voor u vuil of gras uit het snijgereedschap gaat verwijderen.
- Neem altijd een EHBO-does mee wanneer u met elektrisch gereedschap werkt.
- Start de motor niet en laat de motor niet lopen in een afgesloten ruimte of gebouw en/of in de buurt van ontvlambare vloeistoffen. Inademen van uitlaatgassen kan dodelijk zijn.
- Gebruik de machine overeenkomstig de landelijke en plaatselijke wetgeving.

Veilig onderhoud

- Voer onderhoud aan de machine uit volgens de aanbevolen procedures.
- Haal de kap van de bougie voordat u onderhoud uitvoert, behalve voor het afstellen van de carburateur.
- Houd anderen uit de buurt wanneer u de carburateur afstelt.
- Gebruik uitsluitend originele Tanaka vervangingsonderdelen, zoals aanbevolen door de fabrikant.

LET OP

Demonteer de trekstarter niet. Het risico bestaat dat u gewond raakt doordat de veer van de trekstarter losschiet.

⚠ WAARSCHUWING

Onjuist onderhoud kan leiden tot ernstige schade aan de motor of ernstig persoonlijk letsel.

Transport en opslag

- Draag de machine alleen wanneer de motor gestopt is en met de uitlaat weg van uw lichaam.
- Laat de motor afkoelen, maak de brandstoftank leeg en zorg ervoor dat de machine goed vast zit voordat u de machine opbergt of in een voertuig gaat vervoeren.
- Maak de brandstoftank helemaal leeg voor u de machine opbergt. We raden u aan de tank elke keer nadat u de machine gebruikt heeft, leeg te maken. Als er brandstof in de tank blijft zitten, moet u ervoor zorgen dat er geen brandstof kan lekken.
- Bewaar de machine buiten bereik van kinderen.
- Maak de machine schoon, voer het vereiste onderhoud uit en bewaar de machine op een droge plek.
- Controleer of de motor volledig uit staat voordat u de machine vervoert of opbergt.
- Wanneer u de machine in een voertuig vervoert, moet het mes met een mesbescherming worden afgedekt.

Als er zich situaties voordoen die niet in deze gebruiksaanwijzing behandeld worden, wees dan voorzichtig en gebruik uw verstand. Neem contact op met uw Tanaka dealer als u hulp nodig heeft.

Specificaties

MODEL		TBC-420PF	TBC-430PF	TBC-430PFLV
Motor				
Cilinderinhoud (cm ³) (ml)		39.8 (2.43 cu.in)		
Bougie		NGK RCJ8Y of gelijkwaardig		
Snelheid in vrijstand (min ⁻¹)		2,800		
Aanbevolen max. snelheid (min ⁻¹)		11,500		
Snelheid uitvoeras (min ⁻¹)		8,700		
Max. motorvermogen (kW)		1.28 kw (@6,500 min ⁻¹)		
Inhoud brandstoftank (cm ³) (ml)		1,000 (33.8 fl. oz)		
Droog gewicht (kg)		7.3 (16.1 lbs)	7.7 (16.9 lbs)	8.3 (18.3 lbs)
Snijapparaat	Type / Dia. (mm)	nylondraad	Metalen blad 3Tx255	Metalen blad 3Tx305
Geluidsdrukkniveau LpA (dB (A))	(ISO 22868) Gelijkwaardig Onzekerheid	99.2 3	99.2 3	95.5 3
Gemeten geluidsdrukkniveau LwA (dB (A))	(ISO 22868) Gelijkwaardig	112	108	108
Gegarandeerd geluidsdrukkniveau LwA (dB (A))	(2000/14/EC) Max. toerental	116	116	116
Trillingsniveau (m/s ²)	(ISO 22867)			
Gelijkwaardig (voor / linker handgreep)		3.9	3.4	3.4
Gelijkwaardig (achter / rechter handgreep)		2.7	4.3	2.6
Onzekerheid		1.5	1.5	1.5
Stationair (voor / linker handgreep)		3.0	3.4	3.6
Stationair (achter / rechter handgreep)		2.8	3.3	2.3
Max. toerental (voor / linker handgreep)		4.5	3.4	3.3
Max. toerental (achter / rechter handgreep)		2.5	5.2	2.9

OPMERKING : Gelijkwaardige geluidsniveaus/trillingsniveaus zijn berekend als de tijdgewogen energiesom van de geluids-/trillingsniveaus onder verschillende werkomstandigheden met de volgende tijdsindeling: 1/2 stationair, 1/2 max. toerental.

* Alle gegevens kunnen zonder kennisgeving gewijzigd worden.

Montageprocedure

Aandrijfas aan de motor (Afb. 1)

Bevestig de motor aan de koppelingenbehuizing (2) m.b.v. de vier meegeleverde schroeven of bouten (1).

Installatie van de handgreep (Afb. 2)

Bevestig de handgreep aan de stang van de aandrijfas met het hoekige gedeelte naar de motor toe gericht.

Plaats de handgreep in de meest comfortabele positie, voordat u gaat werken, maar niet te dicht bij kopzijde van de motor.

OPMERKING

Als zich een handgreep label op de aandrijfas behuizing van uw eenheid/machine bevindt, volg dan de instructies op.

Montage van de handgreep (Afb. 3, 4)

Verwijder de beugel (1) van het gemonteerde geheel. (Afb. 3)

Plaats de handgrepen en maak de beugel slechts licht vast met vier bouten. Plaats de beugel in de juiste positie. Draai de vier bouten vervolgens stevig vast.

Haak de heupbescherming los en wikkel deze om de stoptouwen en de gaskabel (1). (Afb. 6)

OPMERKING bij TBC-430PFLV (Afb. 5, 6)

De aandrijfas en de motor van dit model zijn al vooraf in de fabriek gemonteerd. U hoeft alleen nog maar de gashendel m.b.v. een schroef en een moer aan de handgreep te bevestigen en deze volgens op de beugels te monteren. Draai de moer met uw vingers stevig vast.

Gaskabel/stop touw

Verwijder de luchtzuiveringsafdekking. (Afb. 7)

Verbind de stop touwen. (Afb. 8)

Verbind het einde van de gaskabel met de carburateur. (Afb. 8)

Bedek de gaskabel en de stop touwen tot aan de luchtzuiveringsafdekking met de beschermende behuizing. (Afb. 9)

Montage van de mesbescherming (Afb. 10)

OPMERKING

Bij sommige modellen is de beschermingsklem al aan de drijfwerkkast gemonteerd.

Monteer de mesbescherming aan de stang van de aandrijfas tegen de hoekoverbrenging aan. Maak de mesbescherming stevig vast, zodat de mesbescherming tijdens de werkzaamheden niet kan trillen of bewegen.

LET OP

Sommige mesbeschermingen zijn voorzien van scherpe kantlijnbegrenzingsen. Ga hier voorzichtig mee om.

OPMERKING (Afb. 10)

Als u een Tanaka aluminium kop (CH-100 of CH-300) voor uw machine gebruikt, moet de scherpe kantlijnbegrenzing (2) (indien aanwezig) die zich in de gereedschapstas bevindt, stevig aan de mesbescherming bevestigd worden met behulp van de afgebeelde bout (3).

Als u een trimmerkop met een tweedelig type mesbescherming gebruikt, bevestig dan de beschermingsuitbreiding aan de mesbescherming. (Afb. 11)

OPMERKING

Wanneer u de beschermingsuitbreiding aan de mesbescherming bevestigt, moet de scherpe kantlijnbegrenzing van de mesbescherming verwijderd worden (indien aanwezig).

OPMERKING

Als er een mesbeschermingslabel op de aandrijfasbehuizing van uw machine is, volg dan de aanwijzing op het label.

OPMERKING

Zie de afbeeldingen voor het verwijderen van de beschermingsuitbreiding. Draag handschoenen want de beschermingsuitbreiding heeft een scherpe kantlijnbegrenzing en druk vervolgens één voor één op de vier bevestigingspunten van de bescherming. (Afb. 12)

Montage van het mesblad (Afb. 13, 14)

(indien aanwezig)

Voordat u een mesblad monteert, moet u controleren of het mes geen scheuren vertoont of beschadigd is en of de snijranden in de juiste richting wijzen.

OPMERKING

- Als u een mesbladhouderkap (1) monteert, let er dan op dat de holle kant naar boven is gericht.
- Steek de inbussleutel (2) in het gat van de hoekoverbrenging om de mesbladhouder te bevestigen (3). Houd er rekening mee dat de bevestigingsschroef of -moer van het mesblad (4) linkshandige schroefdraad heeft (met de wijzers van de klok mee om los te draaien / tegen de wijzers van de klok in om vast te draaien). Draai de bevestigingsschroef of -moer met de inbussleutel vast.

OPMERKING

Als uw eenheid van het moerbeveiligingstype is en voorzien van een splitpen, moet het snijmes elke keer wanneer het gemonteerd wordt, voorzien worden van een nieuwe splitpen. (Afb. 15)

LET OP

Controleer of het mesblad correct gemonteerd is voordat u aan het werk gaat.

LET OP

Als uw machine is voorzien van een beschermkap onder het mesblad, controleer deze dan op slijtage en scheuren voordat u aan het werk gaat. Als er slijtage of beschadiging wordt vastgesteld, moet de beschermkap worden vervangen omdat dit een slijtage-onderdeel is.

Montage van de semi-automatische snijkop

ATTENTIE!

Voor de montage zie de gebruikershandleiding, meegeleverd met de snijkop.

⚠ WAARSCHUWING!

Voor een optimale prestatie en betrouwbaarheid dient u altijd een Tanaka nylon snijdraad te gebruiken. Gebruik nooit een ander soort draad of materialen want deze kunnen losraken en een gevaarlijk projectiel worden.

Montage van de Brain snijkop

OPMERKING

Zie voor de montage de Brain gebruikershandleiding die bij de Brain snijkop wordt geleverd.

⚠ WAARSCHUWING

Voor Tanaka Brain koppen of een Tanaka gelegeerde kop mogen uitsluitend flexibele, niet-metalen koorden worden gebruikt die door de fabrikant worden aanbevolen. Gebruik nooit snoeren of draden. Deze kunnen breken en zo een gevaarlijk projectiel worden.

OPMERKING

Als u een Tanaka gelegeerde kop (CH-100) gebruikt, moet de aanvankelijke koordlengte telkens 17 cm bedragen. (Afb. 16)

Bediening

Brandstof (Afb. 17)

⚠ WAARSCHUWING

- Deze zeis heeft een tweetaktmotor. Gebruik daarom altijd mengsmering, oftewel benzine gemengd met olie. Zorg voor een goede ventilatie wanneer u tankt of omgaat met brandstof.
- Brandstoffen zijn uiterst licht ontvlambaar en u kunt ernstig persoonlijk letsel oplopen door de dampen in te ademen of brandstof op lichaamsdelen te morsen. Wees altijd voorzichtig en blijf goed opletten bij de omgang met brandstof. Zorg altijd voor een goede ventilatie wanneer u brandstof binnen een gebouw gebruikt.

Brandstof

- Gebruik altijd 89 octaan loodvrije merkbenzine.
- Gebruik echte tweetaktbrandstof of een benzine-oliemengsel van 25:1 tot 50:1; raadpleeg voor de juiste verhouding de verpakking van de tweetaktolie in kwestie of uw Tanaka dealer.
- Alleen in de staat Californië 50:1.
- Als er geen echte tweetaktbrandstof beschikbaar is, gebruik dan een kwaliteitsolie die uitdrukkelijk geschikt is voor gebruik in luchtgekoelde tweetaktmotoren (JASO FC GRADE OIL of ISO EGC GRADE). Gebruik geen BIA of TCW (voor watergekoelde tweetaktmotoren) mengolie.
- Gebruik geen multigrade olie (10 W/30) of afgewerkte olie.
- Meng de benzine en de olie in een aparte, schone jerrycan.

Begin met de helft van de gewenste hoeveelheid benzine in de jerrycan.

Voeg de tweetaktolie toe (alle benodigde olie voor de gewenste hoeveelheid brandstof). Meng het brandstof-oliemengsel (schudden). Voeg tenslotte de resterende hoeveelheid benzine toe. Meng (schud) het brandstofmengsel nog eens goed voor u het in de tank doet.

Menghoeveelheid van tweetaktolie en benzine

Benzine (liter)	Tweetaktolie (ml)	
	Verhouding 50:1	Verhouding 25:1
0.5	10	20
1	20	40
2	40	80
4	80	160

Tanken

⚠ WAARSCHUWING

- Schakel altijd eerst de motor uit voor u gaat tanken.
- Maak de tank voorzichtig open om eventueel onder druk

staande gassen te laten ontsnappen.

- Draai na het tanken de dop weer goed op de tank.
- Ga met de zeis minstens 3 meter van de plek waar u getankt heeft vandaan voor u de motor probeert te starten.
- Was eventueel op uw kleding gemorste brandstof er onmiddellijk uit met zeep of een wasmiddel.
- Controleer of er ergens brandstof lekt na het tanken.

Maak voor u gaat tanken de tankdop en omstreken netjes schoon zodat er geen vuil in de tank kan vallen. Zorg ervoor dat de brandstof goed gemengd is door voor het tanken de jerrycan goed te schudden.

Starten (Afb. 18, 19, 20, 21)

LET OP

Voordat u de motor start, moet u controleren of het snoeigedeelte niets aanraakt.

1. Zet de contactschakelaar (1) in de stand AAN. (Afb. 18, 19)
* Druk verschillende keren op de injectiepomp (4), zodat de brandstof door de terugloopleiding (5) vloeit (indien aanwezig) (Afb. 20).
2. Houd de vergrendeling (2) ingedrukt (indien aanwezig), trek tegelijkertijd aan de gashendel en druk op de vergrendelknop (3), laat daarna de gashendel langzaam los en vervolgens de vergrendeling. Daardoor wordt de hendel in de startpositie vergrendeld. (Afb. 18, 19)
3. Zet de chokehendel in de stand GESLOTEN (4). (Afb. 21)
4. Trek stevig aan de trekstarter en let erop dat u de handgreep goed vast blijft houden en de trekstarter niet laat terugschieten.
5. Als u hoort dat de motor gaat aanslaan, zet u de chokehendel terug in de stand START (open). Trek vervolgens nog eens kort aan de trekstarter.

OPMERKING

Herhaal de stappen 2 t/m 5 als de motor niet start.

6. Nadat de motor is gestart, trekt u aan de gashendel om de knop te ontgrendelen. Laat de motor daarna 2-3 minuten opwarmen voor u met de werkzaamheden begint.

Maaien (Afb. 22, 23, 24, 25)

- Wanneer u gras maait, laat de motor dan met een toerental van meer dan 6500 toeren draaien. Als de motor langdurig met een lager toerental draait, kan de koppeling vroegtijdig slijten.
- Maai het gras van rechts naar links.
- Als het draaiende mes tegen een hard voorwerp botst, kan het plotseling wegspringen.
Hierdoor kan een gevaarlijke situatie ontstaan waardoor de machine en ook de bediener weggeslingerd kunnen worden. Deze reactie heet "messlingering". De bediener kan de controle over de machine verliezen met ernstig of zelfs fataal letsel tot gevolg. Messlingering komt meestal voor op plaatsen waar het te snijden materiaal moeilijk te zien is.
- Draag de gordel zoals afgebeeld (indien aanwezig). Het mesblad draait tegen de klok in, dus voor een goed resultaat adviseren wij u om de machine van rechts naar links te bewegen. Houd omstanders op een afstand van minstens 15 meter.

OPMERKING

In geval van nood drukt u op de noodknop of trekt u aan de noodklep (indien aanwezig). (Afb. 24)

⚠ WAARSCHUWING

Als het snijgereedschap tegen stenen of ander afval stoot, moet u de motor stopzetten en controleren of het snijgereedschap en de bijbehorende onderdelen niet beschadigd zijn. Als er gras of twijgjes in het snijgereedschap vastzitten, zet u de motor stop en verwijdert dan het gras of de twijgjes.

Stoppen (Afb. 26)

Verlaag het motortoerental, laat de motor enkele minuten onbelast draaien en schakel dan de contactschakelaar uit.

⚠ WAARSCHUWING

Snijgereedschap kan verwondingen veroorzaken omdat het nog draait nadat de motor is gestopt of de vermogensregeling uit is. Wanneer de machine uit wordt gezet, moet u controleren of het snijgereedschap inderdaad helemaal gestopt is voor u de machine neerzet.

Onderhoud

ONDERHOUD, VERVANGING OF REPARATIE VAN DE ONDERDELEN EN SYSTEMEN DIE MET DE UITLAAT TE MAKEN HEBBEN MAG WORDEN UITGEVOERD DOOR DAARTOE BEVOEGDE BEDRIJVEN OF PERSONEN.

Afstellen van de carburateur (Afb. 27)

⚠ WAARSCHUWING

Het snijgereedschap kan mogelijk draaien terwijl de carburateur afgesteld wordt.

⚠ WAARSCHUWING

Start de motor in geen geval zonder dat de volledige koppelingsafdekking en de behuizing gemonteerd zijn! Anders zou de koppeling los kunnen komen, wat kan leiden tot persoonlijk letsel.

In de carburateur wordt de brandstof gemengd met lucht. De carburateur wordt bij het testen van de motor in de fabriek op de basisafstelling ingesteld. Afhankelijk van het klimaat en de hoogte kunnen er verdere aanpassingen nodig zijn. De carburateur heeft één afstelmogelijkheid:

T = stelschroef stationair toerental.

Afstelling stationair toerental (T)

Controleer of het luchtfilter schoon is. Wanneer het stationair toerental correct is afgesteld, zal het snijgereedschap niet ronddraaien. Als de afstelling aangepast moet worden, kunt u de T-schroef dichtdraaien (met de klok mee) terwijl de motor loopt, totdat het snijgereedschap begint te draaien. Draai de schroef vervolgens open (tegen de klok in) totdat het snijgereedschap stopt.

U heeft het juiste stationair toerental ingesteld wanneer de motor in alle standen soepel blijft lopen bij een toerental dat ruim onder het toerental ligt waarbij het snijgereedschap begint te draaien.

Als het snijgereedschap blijft draaien nadat u het stationair toerental heeft afgesteld, dient u contact op te nemen met uw Tanaka dealer.

OPMERKING

Het standaard stationair toerental is 2,500-3,000 min⁻¹.

OPMERKING

Sommige modellen die worden verkocht in gebieden met strenge milieuregelgeving ten aanzien van uitlaatgassen zijn niet voorzien van carburateurafstellingen voor hoge of lage snelheden. Dergelijke afstellingen kunnen ervoor zorgen dat de motor de limieten van de lokale regelgeving zou overschrijden. Bij deze modellen kan alleen het stationair toerental op de carburateur worden afgesteld.

Bij modellen waarbij de lage en hoge snelheden kunnen worden afgesteld, zijn de carburateurs in de fabriek afgesteld. Geringe aanpassingen kunnen de prestatie verbeteren, afhankelijk van het klimaat, de hoogte enz. Draai de stelschroeven nooit in grotere stappen dan 90 graden, want een verkeerde afstelling kan schade aan de motor veroorzaken. Als u niet goed weet hoe u de motor moet afstellen, neem dan contact op met een Tanaka dealer.

⚠ WAARSCHUWING

Het snijgereedschap mag in geen geval draaien wanneer de motor stationair draait.

Luchtfilter (Afb. 28)

Het luchtfilter moet regelmatig vrijgemaakt worden van stof en vuil om te voorkomen dat:

- De carburateur storingen gaat vertonen
- De motor slecht start
- De motor minder vermogen levert
- De onderdelen van de motor onnodig slijten
- Het brandstofverbruik abnormaal hoog wordt

Maak het luchtfilter elke dag of nog vaker schoon als u in een stoffige omgeving werkt.

Schoonmaken van het luchtfilter

Verwijder de luchtfilterkap en het luchtfilter zelf (1). Was het filter in warm sop. Controleer of het filter goed droog is voor u het terugzet. Een luchtfilter dat geruime tijd gebruikt is, kan meestal niet meer helemaal schoongemaakt worden. Het luchtfilter moet daarom regelmatig vervangen worden door een nieuw. Een beschadigd of kapot filter moet onmiddellijk vervangen worden.

Brandstoffilter (Afb. 29)

Laat alle brandstof uit de tank lopen en trek het brandstoffilter uit de tank. Trek het filterelement uit de houder en spoel het met warm water en een reinigingsmiddel.

Spoel grondig totdat alle sporen van het reinigingsmiddel verwijderd zijn. Pers, niet wringen, het overtollige water uit het filter en laat dit aan de lucht drogen.

OPMERKING

Vervang het filterelement als het na verloop van tijd hard is geworden door stof en vuil.

Bougie (Afb. 30)

De toestand van de bougie wordt negatief beïnvloed door:

- Een verkeerde afstelling van de carburateur
- Een verkeerde mengsmering (te veel olie in de benzine)

- Een vuil luchtfilter
- Zware werkomstandigheden (bijv. Kou)

Deze factoren veroorzaken afzettingen op de elektroden van de bougie, wat kan leiden tot storingen en startproblemen. Als de motor vermogen tekort komt, moeilijk start of slecht stationair loopt, controleer dan eerst de bougie. Als de bougie vuil is, maak hem dan schoon en controleer de afstand tussen de elektroden. Corrigeer de afstand indien nodig. De juiste afstand is 0,6 mm. De bougie moet elke 100 bedrijfsuren vervangen worden, of eerder, als de elektroden weggevreten zijn.

OPMERKING

In sommige gebieden is een bougie met een weerstand vereist om de machine te ontstoren. Als deze machine oorspronkelijk voorzien was van een bougie met een ingebouwde ontstoringweerstand, dient u ter vervanging gebruik te maken van hetzelfde type bougie.

Hoekoverbrenging (Afb. 31)

Controleer om de 50 bedrijfsuren of de hoekoverbrenging of de hoekkoppeling genoeg ingevet zijn door de dop van het vefilter aan de zijkant van de hoekoverbrenging te verwijderen.

Als er geen vet aan de flanken van de tandwielen te zien is, vul de overbrenging dan voor 3/4 met universeel vet op basis van lithium van goede kwaliteit. Vul de overbrenging nooit helemaal.

Mesblad (Afb. 32)

WAARSCHUWING

Draag beschermende handschoenen als u het mesblad aanraakt of onderhoudt.

- Gebruik een scherp mesblad. Een bot mesblad gaat eerder vast of klem zitten. Vervang de bevestigingsmoer als deze beschadigd is en moeilijk vastgedraaid kan worden.
- Als u het mesblad vervangt, koop dan een door Tanaka aanbevolen mesblad met een pasgat van 25,4 mm (één inch).
- Als u een mesblad (2) monteert, richt dit dan altijd met de gekartelde kant naar boven. Als u een mesblad met 3 of 4 tanden (1) monteert, kan dit aan elke kant gebruikt worden.
- Gebruik het juiste mesblad voor elk soort werk.
- Gebruik het juiste gereedschap wanneer u het mesblad vervangt.
- Als de snijranden bot worden, slijp of vijl ze dan zoals afgebeeld. Niet correct geslepen randen kunnen hevige vibraties veroorzaken.
- Gooi mesbladen weg die verbogen, gebarsten, gebroken of anderszins beschadigd zijn.

OPMERKING

Bij het slijpen van een mesblad moet de originele vorm van de radius aan de basis van de tand behouden worden om barsten te voorkomen.

Onderhoudsschema

Hieronder treft u nog enkele algemene onderhoudsinstructies aan.

Neem voor verdere informatie contact op met uw Tanaka dealer.

Dagelijks onderhoud

- Maak de buitenkant van de machine schoon.
- Controleer of de draaggordel niet beschadigd is.
- Controleer de mesbescherming op beschadiging of scheuren. Vervang de bescherming als deze beschadigd is of scheuren vertoont.
- Controleer of het snijgereedschap correct gecentreerd en scherp is en geen scheuren vertoont. Niet correct gecentreerd snijgereedschap veroorzaakt hevige vibraties die de machine kunnen beschadigen.
- Controleer of de moer van het snijgereedschap goed vastgedraaid is.
- Controleer of de mesblad-transportbescherming onbeschadigd is en goed blijft zitten.
- Controleer of alle bouten en moeren goed vast zitten.

Wekelijks onderhoud

- Controleer de trekstarter, in het bijzonder het koord.
- Maak de buitenkant van de bougie schoon.
- Verwijder de bougie en controleer de afstand tussen de elektroden. Corrigeer deze afstand tot 0,6 mm of vervang de bougie.
- Controleer of de luchtinlaat bij de trekstarter niet verstopt is.
- Controleer of het hoektandwiel voor 3/4 met vet gevuld is.
- Maak het luchtfilter schoon.

Maandelijks onderhoud

- Spoel de brandstoftank met schone benzine en maak het brandstoffilter schoon.
- Maak de buitenkant en de omgeving van de carburateur schoon.

Driemaandelijks onderhoud

- Maak de koelribben van de cilinder schoon.
- Maak de ventilator en de omgeving ervan schoon.
- Haal roet en koolafzetting uit de uitlaat.

LET OP

De cilinderribben, ventilator en geluiddemper mogen uitsluitend door een door Tanaka geautoriseerde dealer gereinigd worden.

Vonkbescherming

Als bij de levering van uw unit een vonkenscherm inbegrepen is en als de plaatselijke voorschriften als bescherming tegen een mogelijke brand een vonkenscherm eisen, bevestig het scherm dan aan de geluiddemper na eerst de bescherming van de geluiddemper en de bijbehorende delen verwijderd te hebben. (Het vonkenscherm voldoet aan de voorschriften van SAE J335-SEP90 en CSA CAN3-Z62. 1-M77)

Significado de los símbolos

NOTA : Algunos aparatos no están provistos de ellos.

	<p>Símbolos</p> <p>⚠ ADVERTENCIA</p> <p>A continuación se muestran los símbolos usados para la máquina. Asegúrese de comprender su significado antes del uso.</p>	
	<p>Es importante que usted lea, entienda totalmente y observe las siguientes precauciones y advertencias de seguridad. El uso descuidado o incorrecto del aparato podrá causarles lesiones serias o fatales.</p>	 <p>El empuje de la cuchilla puede ocurrir cuando la cuchilla en giro haga contacto con objetos en el área crítica. Puede producirse una reacción peligrosa causando un empuje violento a toda la unidad y al operador. Esta reacción se denomina EMPUJE DE CUCHILLA. Consecuentemente, el operador puede perder el control de la unidad causando lesiones serias o fatales. El empuje de cuchilla suele ocurrir en áreas donde existan dificultades para visualizar el material a cortar.</p>
	<p>Lea, comprenda y siga todas las advertencias y demás instrucciones de este manual y las que se muestran en el aparato.</p>	
	<p>Utilice siempre protecciones para los ojos, la cabeza y los oídos cuando utilice este aparato.</p>	 <p>Mezcla de combustible y aceite.</p>
	<p>No usar las cuchillas metálicas/rígidas cuando esta señal este indicada en la unidad.</p>	 <p>No tocar el silenciador y la zona de alrededor, ya que pueden estar muy calientes.</p>
	<p>Mantener alejados todos los niños, curiosos y ayudantes a una distancia de 15m del aparato. En el caso de acercarse alguna persona, debe pararse inmediatamente el motor y el aditamento de corte.</p>	 <p>Explica la posición del cebador. La señal superior indica el cebador cerrado y la inferior indica totalmente abierto.</p>
	<p>Tener cuidado con los objetos arrojados.</p>	<p>T</p> <p>Ajuste del carburador - Velocidad sin carga</p>
	<p>Indica la velocidad máxima del eje. No usar el aditamento de corte cuya velocidad máxima esté debajo de la velocidad del eje.</p>	<p>L</p> <p>Ajuste del carburador - Mezcla de baja velocidad</p>
	<p>Hay que poner guantes, si fuere necesario, por ejemplo al montar equipo de corte.</p>	<p>H</p> <p>Ajuste del carburador - Mezcla de alta velocidad</p>
	<p>Cálcense calzados antideslizantes y resistentes.</p>	 <p>Bomba de impulsión</p>
	<p>Indica el lugar del manillar. No se conecte el manillar encima de este punto.</p>	 <p>Nivel de potencia acústica garantizado</p>
<p>Antes de utilizar su dispositivo</p> <ul style="list-style-type: none"> • Lea detenidamente el manual. • Compruebe que el equipo de corte se encuentra acoplado y ajustado correctamente. • Arranque el aparato y compruebe el ajuste del carburador. Consulte "MANTENIMIENTO". 	<p>⚠ ADVERTENCIA</p> <p>El gas de escape de este producto contiene productos químicos que, según el Estado de California, pueden provocar cáncer, malformaciones en fetos y otros daños reproductivos.</p>	

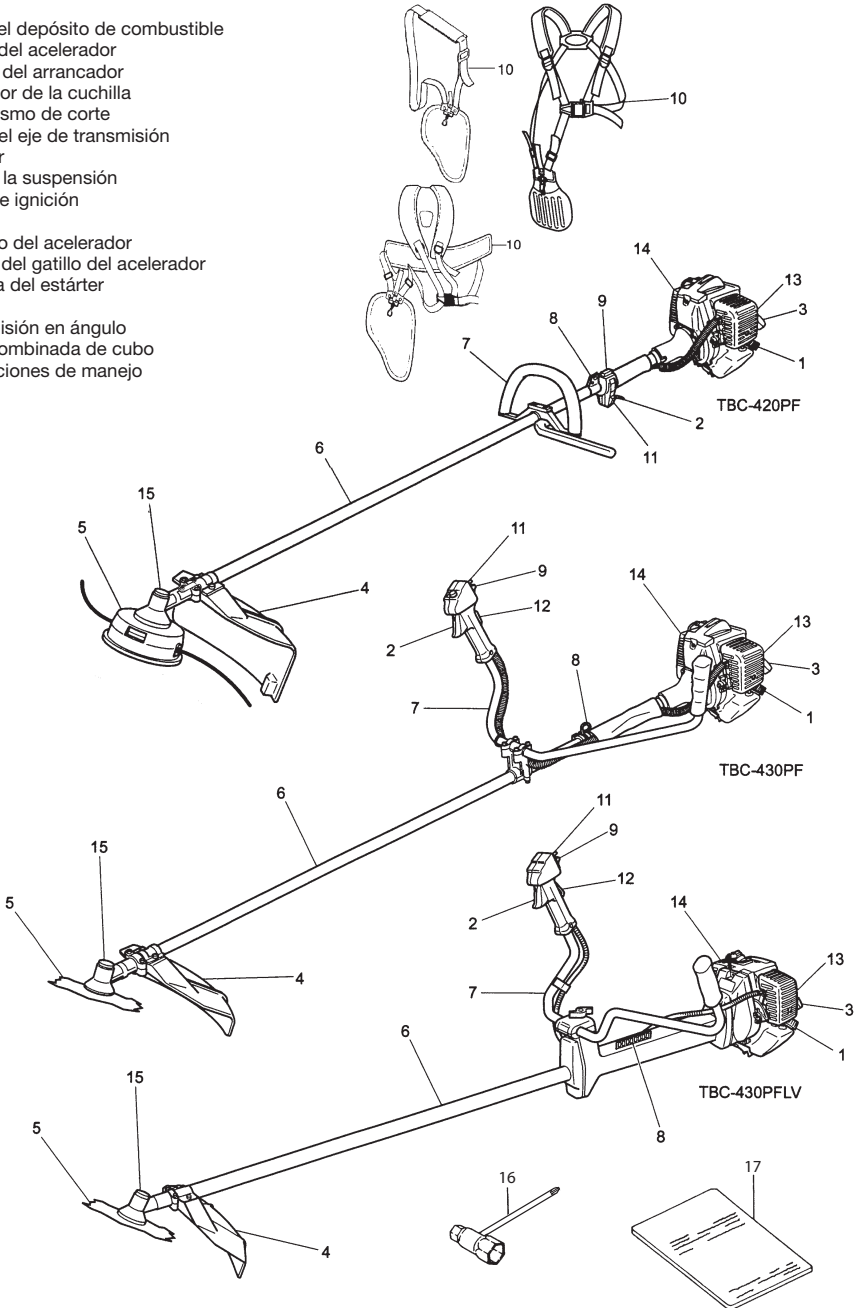
Contenido

¿Qué es qué?	2
Advertencias e instrucciones de seguridad	3
Especificaciones.....	4
Procedimientos de montaje.....	5
Procedimientos de operación	6
Mantenimiento.....	7

¿Qué es qué?

Puesto que este manual cubre varios modelos, puede que existan diferencias entre los dibujos y su unidad. Utilice las instrucciones que se refieren a su unidad.

1. Tapa del depósito de combustible
2. Gatillo del acelerador
3. Mango del arrancador
4. Protector de la cuchilla
5. Mecanismo de corte
6. Tubo del eje de transmisión
7. Manillar
8. Ojal de la suspensión
9. Llave de ignición
10. Arnés
11. Bloqueo del acelerador
12. Mango del gatillo del acelerador
13. Palanca del estérter
14. Motor
15. Transmisión en ángulo
16. Llave combinada de cubo
17. Instrucciones de manejo



Advertencias e instrucción de seguridad

Dedique especial atención a los apartados introducidos por las siguientes palabras:

⚠ ADVERTENCIA
Indica un riesgo signifi cativo de que se produzcan daños personales graves e incluso la muerte si no se siguen las instrucciones.

PRECAUCIÓN
Indica la posibilidad de que se produzcan daños personales o materiales si no se siguen las instrucciones.

NOTA
Indica información útil para el uso y correcto funcionamiento del aparato.

Seguridad del usuario

- Utilice siempre protecciones como caretas o gafas de seguridad.
- Utilice siempre pantalones gruesos, botas antideslizantes y guantes. No utilice prendas sueltas, joyas, pantalones cortos o sandalias, y nunca trabaje descalzo. Recójase el pelo de forma que quede por encima del hombro.
- No opere este aparato si está cansado, enfermo o bajo la influencia del alcohol, drogas o medicamentos.
- No deje que niños o personas inexpertas operen el aparato.
- Utilice protección para los oídos. Preste atención a su entorno. Esté atento a personas que pudieran estar avisándole de un problema. Quítase el equipo de seguridad inmediatamente después de detener el motor.
- Use casco protector.
- Nunca encienda el motor o haga funcionar el aparato dentro de una sala cerrada o un edificio. La inhalación de los gases de escape puede ser mortal.
- Mantenga los asideros libres de aceite y combustible.
- Mantenga las manos alejadas del equipo de corte.
- No agarre o sostenga el aparato por el equipo de corte.
- Utilice siempre guantes cuando arme o desarme el mecanismo de corte; de lo contrario, podría provocar lesiones personales graves.
- Cuando el aparato esté apagado, asegúrese de que el mecanismo de corte se ha detenido antes de apoyarlo sobre el suelo.
- Durante periodos de operación prolongados, se recomienda descansar de vez en cuando para evitar el posible síndrome de vibración de manos y brazos (HAVS) causado por las vibraciones.

⚠ ADVERTENCIA
Los sistemas antivibratorios no garantizan que pudiera verse afectado por síndrome de vibración de manos y brazos o el síndrome del túnel carpiano. Por lo tanto, los usuarios que utilicen el aparato asiduamente o con regularidad deberán vigilar con atención el estado de sus manos y dedos. Si aparece cualquiera de los síntomas citados, deberá acudir a un médico de inmediato.

⚠ ADVERTENCIA
Si utiliza algún dispositivo médico eléctrico o electrónico, como por ejemplo un marcapasos, consulte a su médico y al fabricante del dispositivo antes de operar cualquier equipo motorizado.

Seguridad del aparato

- Inspeccione siempre el aparato antes de utilizarlo. Reemplace las piezas dañadas. Compruebe que no hay fugas de combustible y asegúrese de que todas las piezas se encuentran en su sitio y han sido apretadas correctamente.
- Reemplace cualquier pieza agrietada, rota o deteriorada antes de poner en marcha el aparato.
- Cerciórese de que el protector de cuchilla esté fijado correctamente.
- No permita que se acerquen personas mientras ajusta el carburador.
- Utilice únicamente los accesorios que el fabricante recomiende para este dispositivo.

⚠ ADVERTENCIA
No intente modificar el aparato en forma alguna. No utilice este aparato para otras tareas para las que no esté indicado.

Seguridad del combustible

- Mezcle y llene el combustible al aire libre, en lugares donde no se produzcan chispas ni llamas.
- Utilice un recipiente homologado para combustible.
- No fume ni deje fumar a otras personas en las proximidades del combustible o del aparato mientras éste se encuentre en marcha.
- Limpie los restos de combustible antes de arrancar el motor.
- Antes de arrancar el motor, desplácese al menos 3 metros respecto del lugar en el que ha llenado el combustible.

- Detenga el motor antes de quitar la tapa del depósito de combustible.
- Vacíe el depósito de combustible antes de guardar el aparato. Se recomienda vaciar el depósito de combustible cada vez que termine de utilizar el aparato. Si deja combustible en el depósito, asegúrese de que no van a producirse escapes.
- Guarde el aparato y el combustible en un lugar donde los vapores del combustible no puedan entrar en contacto con chispas o llamas de calentadores de agua, motores eléctricos, interruptores, hornos, etc.

⚠ ADVERTENCIA
El combustible puede inflamarse, explotar o emitir gases con facilidad. Por lo tanto, debe prestar especial atención cuando manipule o recargue el combustible.

Seguridad durante el corte

- No corte ningún material que no sea hierba o maleza.
- Inspeccione siempre la zona sobre la que va a cortar antes de comenzar. Retire cualquier objeto que pueda salir despedido o enredarse.
- Para proteger las vías respiratorias, utilice una máscara de protección contra aerosoles cuando corte hierba tras haber fumigado con insecticidas.
- Mantenga a otras personas, niños, animales y ayudantes a una distancia de 15 m de la zona de riesgo. Detenga inmediatamente el motor si se le acerca alguna persona.
- Mantenga el motor en el lado derecho respecto de su cuerpo en todo momento.
- Sostenga el aparato firmemente con ambas manos.
- Apoye sus pies con firmeza y mantenga el equilibrio. No estire demasiado el cuerpo.
- Mantenga su cuerpo apartado del silenciador y del mecanismo de corte mientras el motor se encuentra en marcha.
- Mantenga el mecanismo de corte por debajo del nivel de la cintura.
- Cuando cambie de zona de trabajo, asegúrese de detener el aparato y de que el mecanismo de corte se ha detenido.
- Nunca deposite el aparato sobre el suelo mientras esté en encuentra en marcha.
- Asegúrese siempre de que el motor está apagado y de que el mecanismo de corte se ha detenido por completo antes de eliminar residuos o hierba del mecanismo de corte.
- Lleve siempre un botiquín de primeros auxilios consigo cuando opere cualquier equipo motorizado.
- Nunca encienda el motor o haga funcionar el aparato dentro de una sala cerrada o un edificio o en las proximidades de líquidos inflamables. La inhalación de los gases de escape puede ser mortal.
- Utilice el aparato de acuerdo a la legislación local y estatal.

Seguridad durante el mantenimiento

- Realice el mantenimiento del aparato siguiendo los procedimientos recomendados.
- Antes de realizar el mantenimiento, desconecte la bujía (salvo si va a ajustar el carburador).
- No permita que se acerquen personas mientras ajusta el carburador.
- Utilice únicamente los repuestos y accesorios originales de Tanaka recomendados.

PRECAUCIÓN

No desmonte el arrancador de retroceso. Podría provocarse lesiones con el resorte del arrancador.

⚠ ADVERTENCIA
El mantenimiento incorrecto podría conducir a una avería seria del motor o a heridas graves.

Transporte y almacenamiento

- Transporte el aparato con el motor y el silenciador a una distancia segura del cuerpo.
- Antes de almacenar o transportar el aparato en un vehículo, espere a que se haya enfriado el motor, vacíe el depósito de combustible y asegúrelo correctamente.
- Vacíe el depósito de combustible antes de guardar el aparato. Se recomienda vaciar el depósito de combustible cada vez que termine de utilizar el aparato. Si deja combustible en el depósito, asegúrese de que no van a producirse escapes.
- Guarde el aparato lejos del alcance de niños.
- Limpie y lleve a cabo el mantenimiento del aparato con cuidado y guárdelo en un lugar seco.
- Asegúrese de que la llave de encendido del motor esté desconectada cuando transporte o guarde el aparato.
- Cuando transporte el aparato en un vehículo o lo guarde, cubra la cuchilla con una cubierta.

Si se producen situaciones no previstas en este manual, utilice el sentido común. Póngase en contacto con su distribuidor de Tanaka si necesita ayuda.

Especificaciones

MODELO		TBC-420PF	TBC-430PF	TBC-430PFLV
Motor				
Desplazamiento (cm ³) (ml)		39.8 (2.43 cu.in)		
Bujía		NGK RCJ8Y o equivalente		
Velocidad de ralentí (min ⁻¹)		2,800		
Velocidad máx. recomendada (min ⁻¹)		11,500		
Velocidad del eje de transmisión (min ⁻¹)		8,700		
Potencia máx. del motor (kW)		1.28 kw (@6,500 min ⁻¹)		
Capacidad del depósito de combustible (cm ³) (ml)		1,000 (33.8 fl. oz)		
Peso en sec (kg)		7.3 (16.1 lbs)	7.7 (16.9 lbs)	8.3 (18.3 lbs)
Mecanismo de corte	Tipo / Diámetro (mm)	Cable de nylon	Cuchilla metálica 3Tx255	Cuchilla metálica 3Tx305
Nivel de presión sonora LpA (dB (A))	(ISO 22868) Equivalente Incertidumbre	99.2 3	99.2 3	95.5 3
Nivel de potencia correcta medida LwA (dB (A))	(ISO 22868) Equivalente	112	108	108
Nivel de potencia correcta garantizada LwA (dB (A))	(2000/14/EC) Potencia	116	116	116
Nivel vibratorio (m/s ²)	(ISO 22867)			
Equivalente (Asidero delantero / izquierdo)		3.9	3.4	3.4
Equivalente (Asidero trasero / derecho)		2.7	4.3	2.6
Incertidumbre		1.5	1.5	1.5
Ralentí (Asidero delantero / izquierdo)		3.0	3.4	3.6
Ralentí (Asidero trasero / derecho)		2.8	3.3	2.3
Potencia (Asidero delantero / izquierdo)		4.5	3.4	3.3
Potencia (Asidero trasero / derecho)		2.5	5.2	2.9

NOTA : Los niveles de ruido/vibración equivalentes se calculan como la energía ponderada en base al tiempo en distintas condiciones de trabajo con la siguiente distribución de tiempo: 1/2 ralentí, 1/2 a potencia.

* Todos los datos están sujetos a cambios sin previo aviso.

Procedimiento de montaje

Arbol de transmisión del motor (Fig. 1)

Fijar el motor a la caja de embrague (2) con los cuatro tornillos o pernos (1) provistos.

Montaje del manillar (Fig. 2)

Acoplar el manillar al tubo del árbol de propulsión con el ángulo orientado hacia el motor.

Ajustar el manillar de la forma que resulte más cómoda antes del funcionamiento, pero de tal manera que no esté muy cerca del cabezal de fuerza motriz.

NOTA

Si su equipo tiene un rótulo de ubicación de empuñadura sobre el tubo del eje de accionamiento, siga la indicación.

Montaje del manillar (Fig. 3, 4)

Quitar el soporte del manillar (1). (Fig. 3)

Colocar los mangos y montar levemente el soporte con cuatro pernos. Ajustar hasta obtener la posición más cómoda y fijar definitivamente los pernos.

Desengánchese el cojín de cadera y envuélvanse dentro los cordones de parada entu bados así como el alambre de estrangulación (1). (Fig. 6)

NOTA para el TBC-430PFLV (Fig. 5, 6)

Se arman previamente el eje motor y el motor de este modelo en la fábrica. Lo que uno tiene que hacer es de juntar solamente el agarradero del regulador a la manija con un tornillo y una tuerca y, pues, de instalarlo sobre el soporte del manillar. Apriétese firmemente la tuerca de perilla con los dedos.

Cordón de parada / alambre del acelerador

Desmontar la tapa del purificador de aire. (Fig. 7)

Conectar los cables de parada. (Fig. 8)

Conectar el extremo del alambre del acelerador. (Fig. 8)

Cubrir el alambre del acelerador y fijar las cuerdas con el tubo protector provisto hasta la cubierta del purificador de aire. (Fig. 9)

Instalación del protector de la cuchilla (Fig. 10)

NOTA

En algunos modelos la abrazadera del protector ya viene montada en el engranaje.

Instalar el protector de cuchilla en el tubo del eje de transmisión en contra del ángulo de transmisión. Ajustar firmemente el soporte del protector para impedir que el mismo oscile o se mueva durante la operación.

PRECAUCIÓN

Algunos protectores de la cuchilla están equipados con limitadores de línea afilados. Tenga cuidado al manipularlos.

NOTA (Fig. 10)

Cuando utilice un cabezal de aluminio Tanaka (CH-100 o CH-300) en su aparato, los limitadores de línea afilados (2) (si el aparato la incorpora) que se incluyen en la bolsa de herramientas deben ajustarse firmemente al protector de la cuchilla utilizando el tornillo destinado a ese fin (3).

Cuando utilice un cabezal de desbrozadora con protector de cuchilla de dos piezas, acople la extensión al protector de la cuchilla. (Fig. 11)

NOTA

Cuando acople la extensión del protector al protector de la cuchilla, el limitador de línea afi lado deberá retirarse del protector de la cuchilla (si éste está instalado).

NOTA

Si su aparato tiene una etiqueta que muestre la ubicación del protector en el tubo del eje de distribución, siga sus indicaciones.

NOTA

Para retirar la extensión del protector siga los diagramas. Utilice guantes siempre que la extensión esté equipada con un limitador de línea afi lado. A continuación presione las cuatro pestañas cuadradas del protector una por una y siguiendo un orden. (Fig. 12)

Instalación de la cuchilla (Fig. 13, 14)

(si el aparato la incorpora)

Cuando instale una cuchilla, asegúrese de que no presenta grietas o daños y de que los filos cortantes apuntan en la dirección correcta.

NOTA

- Cuando instale la tapa de soporte de la cuchilla (1), asegúrese de colocar la parte cóncava hacia arriba.
- Inserte la llave de barra hexagonal (2) en el orificio de la transmisión en ángulo para bloquear el soporte de la cuchilla (3). Tenga en cuenta que el tornillo o tuerca de fijación de la cuchilla (4) está roscado a izquierdas (se afi oja en el sentido de las agujas del reloj y se aprieta en el sentido contrario). Apriete el tornillo o tuerca de fijación con la llave de vaso.

NOTA

Si el aparato de usted es del tipo de tuerca trabada y provisto de una clavija hendida, hay que sujetar el cuchillo mediante un pasador de chaveta nuevo (5) que se monta cada vez. (Fig. 15)

PRECAUCIÓN

Antes de poner el aparato en funcionamiento, asegúrese de que la cuchilla se ha instalado correctamente.

PRECAUCIÓN

Si su aparato está equipado con una cubierta de protección bajo la cuchilla, asegúrese de que ésta no presenta roturas o grietas antes de ponerlo en funcionamiento. Si se encuentra algún daño o rotura, deberá sustituirla, ya que se trata de un artículo consumible.

Instalación del cabezal de corte semiautomático

NOTA!

Para la instalación, se ruega ver el manual de operación de su máquina equipada con el cabezal de corte.

⚠ ATENCIÓN!

Para un rendimiento y una fiabilidad excelentes, utilice siempre la línea de corte de nylon de Tanaka. No utilice alambre u otro material que pueda ser un proyectil peligroso.

Instalación del cabezal de corte Brain

NOTA

Para la instalación consulte su manual de usuario de Brain suministrado con el cabezal de corte Brain.

⚠ ADVERTENCIA

Para cabezales Tanaka Brain o cabezales Tanaka de aleación, utilice únicamente las líneas flexibles y no metálicas recomendadas por el fabricante. No utilice nunca cables o cables metálicos. Éstos podrían romperse y actuar como proyectiles peligrosos.

NOTA

Cuando utilice el cabezal Tanaka de aleación (CH-100), la longitud de la línea de corte inicial debería ser de aproximadamente 17 cm en cada lado. (Fig. 16)

Procedimientos de operación

Combustible (Fig. 17)

⚠ ADVERTENCIA

- La segadora está equipada con un motor de dos tiempos. El motor debe funcionar siempre con combustible mezclado con aceite. Asegúrese siempre de existe una buena ventilación en los lugares de manipulación o recarga del combustible.
- El combustible contiene sustancias altamente inflamables, existiendo la posibilidad de graves lesiones por inhalación o por derrame sobre su cuerpo. Preste siempre atención cuando maneje el combustible. Asegure siempre una buena ventilación cuando maneje el combustible dentro de un edificio.

Combustible

- Utilice siempre gasolina sin plomo de marca de 89 octanos.
- Utilice el aceite de dos tiempos del fabricante original o utilice una mezcla en proporciones de 25:1 a 50:1. Consulte el recipiente o a un distribuidor Tanaka para obtener la proporción de aceite correcta.
- Únicamente para el Estado de California a 50:1.
- Si no es posible obtener el aceite del fabricante original, utilice un aceite con antioxidantes de calidad que esté expresamente indicado para motores de dos tiempos refrigerados por aire (JASO FC GRADE OIL o ISO EGC GRADE). No utilice aceite mezclado BIA o TCW (para 2 tiempos refrigerado por agua).
- No utilice nunca aceites para distintas temperaturas (10 W/30) ni aceites usados.
- Mezcle siempre el combustible y el aceite en un recipiente limpio y destinado a este fin.

Empiece llenando el recipiente hasta la mitad con gasolina. Luego, agregue todo el aceite. Sacuda la mezcla de combustible. Agregue el resto de la gasolina.

Antes de llenar el depósito de combustible, agite la mezcla cuidadosamente.

Cantidad de mezcla de aceite y gasolina de dos tiempos

Gasolina (Litro)	Aceite de dos tiempos (ml)	
	Proporción 50:1	Proporción 25:1
0,5	10	20
1	20	40
2	40	80
4	80	160

Recarga de combustible

⚠ ADVERTENCIA

- Apague siempre el motor antes de recargar el combustible.
- Para llenar el depósito de combustible, abra lentamente la tapa del depósito para que desaparezca la sobrepresión que pudiera existir.
- Después de llenarlo, cierre y apriete bien la tapa.
- Antes de arrancar el aparato, deberá alejarse al menos 3 m del área de recarga de combustible.
- Lave siempre inmediatamente con jabón cualquier combustible vertido sobre la ropa.
- Asegúrese de verificar si existe alguna fuga de combustible después del llenado.

Antes de llenar el combustible, limpie cuidadosamente la zona de la tapa del depósito para garantizar que no entra suciedad en el depósito. Asegúrese de que el combustible está bien mezclado agitando el recipiente antes de llenar el depósito.

Arranque (Fig. 18, 19, 20, 21)

PRECAUCIÓN

Antes de arrancar el aparato, asegúrese de que el mecanismo de corte no se encuentra en contacto con ningún objeto o superficie.

1. Lleve la llave de ignición (1) a la posición ON (encendido). (Fig. 18, 19)
* Empujar varias veces el bulbo cebador (4) de manera que el combustible fluya a través de la tubería de retorno (5) (Si está provisto) (Fig. 20)
2. Con el tope del acelerador (2) pulsado (si existe), accione el acelerador y pulse el bloqueo del acelerador (3); a continuación, suelte lentamente el acelerador y desbloquee el tope del acelerador. De esta manera, el acelerador queda bloqueado en la posición de arranque. (Fig. 18, 19)
3. Lleve la palanca del estérter a la posición CLOSED (cerrado) (4). (Fig. 21)
4. Tire enérgicamente del arrancador de retroceso, tomando la precaución de mantener el asidero bien sujeto para evitar que se escape de la mano.
5. Cuando escuche el amago de arranque del motor, devuelva la palanca del estérter a la posición RUN (abierto). A continuación vuelva a tirar enérgicamente del arrancador de retroceso.

NOTA

Si el motor no arranca, repita los pasos 2 a 5.

6. Una vez encendido el motor, tire del gatillo del acelerador para soltar el bloqueo del acelerador. A continuación, deje que el motor se caliente durante 2-3 minutos antes de someterlo a ninguna presión.

Corte (Fig. 22, 23, 24, 25)

- Cuando corte, haga funcionar el motor a más de 6500 rpm. La utilización prolongada a pocas rpm podría dañar el embrague prematuramente.
- Corte la hierba de derecha a izquierda.
- Puede producirse una sacudida de la cuchilla si al encontrarse en movimiento ésta entra en contacto con un objeto sólido en la zona crítica.
- Puede producirse una reacción peligrosa que sacuda

violentemente el aparato y al usuario. Esta reacción se conoce como sacudida de la cuchilla. Como consecuencia, el usuario podría perder el control de la unidad y provocarse lesiones graves e incluso mortales. Existen más probabilidades de que se produzcan sacudidas de la cuchilla en zonas en las que es difícil ver el material que se está cortando.

- Utilice el arnés tal y como se muestra en la figura (si el aparato lo incorpora). La cuchilla gira en sentido contrario a las agujas del reloj. Por tanto, para una mayor eficacia de corte, proceda siempre de derecha a izquierda. Haga que cualquier persona se sitúe a una distancia de al menos 15 m.

NOTA

En caso de emergencia, pulse el botón de liberación rápida o la solapa de liberación de emergencia (si el aparato las incorpora). (Fig. 24)

⚠ ADVERTENCIA

Si el mecanismo de corte choca contra piedras u otros obstáculos, detenga el motor y asegúrese de que el mecanismo de corte y las piezas asociadas se encuentran en buen estado. Cuando se enreden hierba o ramas en el mecanismo, detenga el motor y el mecanismo y retirelas antes de continuar.

Parada (Fig. 26)

Reduzca la velocidad del motor y déjelo al ralentí durante unos minutos. A continuación encienda la llave de ignición.

⚠ ADVERTENCIA

El mecanismo de corte puede provocar lesiones mientras gira tras haber detenido el motor o haber apagado el control de la alimentación. Cuando el aparato esté apagado, asegúrese de que el mecanismo de corte se ha detenido antes de apoyarlo sobre el suelo.

Mantenimiento

EL MANTENIMIENTO, SUSTITUCIÓN O REPARACIÓN DE LOS DISPOSITIVOS Y SISTEMAS DE CONTROL DE EMISIONES PUEDEN REALIZARSE EN CUALQUIER TALLER O A CARGO DE CUALQUIER TÉCNICO DE REPARACIONES MECÁNICAS NO DESTINADAS AL TRANSPORTE .

Ajuste del carburador (Fig. 27)

⚠ ADVERTENCIA

El mecanismo de corte podría estar girando mientras ajusta el carburador.

⚠ ADVERTENCIA

Nunca arranque el motor sin que la cubierta y el tubo del embrague estén montados. De lo contrario, el embrague podría soltarse y provocar lesiones personales.

En el carburador, el combustible se mezcla con aire. El carburador se ajusta durante la prueba del motor en la fábrica. Sin embargo, puede que sea necesario reajustarlo con arreglo al clima y a la altitud. El carburador tiene una opción de ajuste:

T = Tornillo de ajuste de la velocidad de ralentí.

Ajuste de la velocidad de ralentí (T)

Compruebe que el filtro de aire está limpio. Cuando la velocidad de ralentí sea la correcta, el mecanismo de corte no girará. Si es necesario ajustarlo, cierre el tornillo T (en el sentido de las agujas del reloj) con el motor en marcha hasta que el mecanismo de corte empiece a girar. Abra el tornillo T (en el sentido contrario a las agujas del reloj) hasta que el mecanismo de corte se detenga. Habrá obtenido la velocidad de ralentí correcta cuando el motor funcione con suavidad en cualquier posición encontrándose muy por debajo de las rpm necesarias para que el mecanismo de corte empiece a girar.

Si el mecanismo de corte sigue girando tras ajustar la velocidad de ralentí, póngase en contacto con un distribuidor Tanaka.

NOTA

Las rpm normales al ralentí se encuentran entre las 2,500-3,000 min⁻¹.

NOTA

Algunos modelos comercializados en zonas con normativas sobre emisiones estrictas no incorporan los ajustes de alta y baja velocidad del carburador. Dichos ajustes podría hacer que el motor funcionase fuera de los límites de emisión permitidos. Para estos modelos, el único ajuste del carburador es la velocidad de ralentí.

En los modelos equipados con ajustes de baja y alta velocidad los carburadores vienen preajustados de fábrica. Es posible optimizar el funcionamiento realizando pequeños ajustes con arreglo al clima, la altitud, etc. Nunca gire los tornillos de ajuste en intervalos de más de 90 grados, ya que esto podría producir daños en el motor derivados de un ajuste incorrecto. Si no se encuentra familiarizado con este ajuste pida ayuda a su distribuidor de Tanaka.

⚠ ADVERTENCIA

Mientras el motor está al ralentí, el mecanismo de corte no debería girar en ningún caso.

Filtro de aire (Fig. 28)

Limpie el polvo y la suciedad del filtro de aire para evitar:

- Fallos de funcionamiento del carburador
- Problemas de arranque
- Pérdidas de potencia
- Desgaste innecesario de las piezas del motor
- Consumo excesivo de combustible

Limpie el filtro de aire diariamente o con mayor frecuencia cuando trabaje en zonas con gran cantidad de polvo.

Limpieza del filtro de aire

Extraiga la cubierta del filtro de aire y el filtro (1). Lave los filtros con agua caliente y jabón. Antes de volver a montar el filtro, compruebe que éste esté seco. Un filtro de aire que ha sido utilizado durante mucho tiempo, nunca podrá quedar completamente limpio. Por tanto, los filtros deben reemplazarse por otros nuevos en intervalos regulares. Reemplace los filtros que estén dañados.

Filtro de combustible (Fig. 29)

Drene todo el combustible del depósito y extraiga la línea del filtro de combustible del depósito. Extraiga el elemento de fi trado del soporte y lávelo con agua caliente y detergente.

Lávelo bien hasta eliminar cualquier resto de combustible. Escúrralo sin retorcerlo y deje que se seque al aire.

NOTA

Si el elemento está obstruido debido al polvo y a la suciedad,

reemplácelo.

Bujía (Fig. 30)

El estado de la bujía se ve afectado por:

- Mal ajuste del carburador
- Mezcla incorrecta de combustible y aceite (exceso de aceite en la gasolina)
- Suciedad en el filtro de aire
- Condiciones de funcionamiento extremas (por ejemplo climas fríos)
- Condiciones de funcionamiento difíciles. (como clima frío)

Todos estos factores dan lugar a la formación de sedimentos en los electrodos, los cuales pueden provocar perturbaciones en el funcionamiento y dificultades en el arranque. Si el motor tiene poca potencia, tiene dificultades para arrancar el aparato o el ralentí se muestra inestable, verifí que siempre la bujía en primer lugar. Si la bujía está muy sucia, límpiela y verifique la distancia entre los electrodos. Reajústela si es necesario. La distancia correcta es de 0,6 mm. Se debe reemplazar la bujía tras unas 100 horas de funcionamiento o antes si los electrodos están muy gastados.

NOTA

En algunas zonas, las normativas locales requieren el uso de una bujía de resistencia para eliminar cualquier señal de ignición. En el caso de que este aparato estuviese equipado de fábrica con una bujía de resistencia, utilice el mismo tipo de bujía de resistencia para sustituirla.

Transmisión en ángulo (Fig. 31)

Compruebe el nivel de lubricante de la transmisión o el engranaje en ángulo cada 50 horas de funcionamiento extrayendo el tapón del depósito de lubricante del lateral de la transmisión en ángulo. Si no se aprecia lubricante en los flancos de los engranajes, llene la transmisión a 3/4 con lubricante universal de litio de buena calidad. No llene la transmisión por completo..

Cuchilla (Fig. 32)

⚠ ADVERTENCIA

Utilice guantes protectores cuando manipule la cuchilla o lleve a cabo su mantenimiento.

- Utilice una cuchilla afilada. Una cuchilla roma presenta más probabilidades de atacarse y dar sacudidas. Sustituya la tuerca de ajuste si se encuentra dañada o encuentra dificultades al apretarla.
- Cuando sustituya la cuchilla, adquiera una que esté recomendada por Tanaka y equipada con un orificio de 25,4 mm (1 plg).
- Cuando instale un disco de corte (2), coloque siempre la parte impresa hacia arriba. En el caso de las cuchillas de 3 o 4 dientes (1), pueden colocarse en ambas direcciones.
- Utilice la cuchilla correcta para cada tipo de trabajo.
- Cuando sustituya las cuchillas, utilice las herramientas adecuadas.
- Cuando los filos se emboten, afílelos o límelos tal y como se muestra en la ilustración. Un afilado incorrecto podría provocar vibraciones excesivas.
- Deseche cualquier cuchilla doblada, combada, agrietada, rota o dañada de cualquier otra forma.

NOTA

Cuando afile las cuchillas es importante mantener la forma

original del radio en la base de los dientes para evitar agrietamientos.

Esquema de mantenimiento

A continuación se proporcionan algunas instrucciones generales de mantenimiento. Para obtener información adicional, póngase en contacto con un distribuidor de Tanaka.

Mantenimiento diario

- Limpie el exterior del aparato.
- Compruebe que el arnés se encuentra en buen estado.
- Compruebe que no existen daños o grietas en protector de la cuchilla. En caso de impactos o grietas, sustituya el protector.
- Compruebe que el mecanismo de corte está debidamente centrado, afilado y libre de grietas. Si el mecanismo de corte no está centrado puede provocar fuertes vibraciones y dañar el aparato.
- Compruebe que la tuerca del mecanismo de corte está suficientemente apretada.
- Asegúrese de que la protección para el transporte de la cuchilla no está dañada y puede fijarse con firmeza.
- Compruebe que las tuercas y los tornillos están suficientemente apretados.

Mantenimiento semanal

- Verifique el sistema de arranque, en especial la cuerda.
- Limpie el exterior de la bujía.
- Quite la bujía y verifique el huelgo entre los electrodos. Ajustelo a 0,6 mm, o reemplace la bujía.
- Compruebe que la entrada de aire del sistema de arranque no está obstruida.
- Compruebe que el reductor de reenvío está lleno en sus 3/4 partes de lubricante.
- Limpie el filtro de aire.

Mantenimiento mensual

- Lave el depósito de combustible con gasolina y, a continuación, limpie el filtro de combustible.
- Limpie el exterior del carburador y los alrededores del mismo.

Mantenimiento trimestral

- Limpie las aletas de refrigeración del cilindro.
- Limpie el ventilador y sus alrededores.
- Limpie el carbón del silenciador.

PRECAUCIÓN

La limpieza de las aletas de los cilindros, el ventilador y del silenciador deberán ser efectuados por el agente autorizado Tanaka.















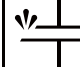
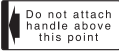

Parachis pas

Si su unidad trae consigo la pantalla para-chispas, y el reglamento local de su área todavía requiere el uso de parachispas para prevenir contra un posible incendio, entonces, favor de instalarla ~n el silenciador, desmontandQ el protector de silenciador y otras partes relativas.

(El parachispas está sujetado a los reglamentos SAE J335-SEP90 y CSA CAN3-Z62, 1-M77.)

Significado dos símbolos

NOTA : Os símbolos referidos não se encontram em todos os modelos.

 Símbolos ⚠️ ADVERTÊNCIA A seguir aparecem os símbolos utilizados pela máquina. Assimile bem seus significados antes do uso.			
	<p>É importante que leia, compreenda integralmente e respeite as seguintes precauções e advertências de segurança. O uso do aparelho de forma incorrecta ou sem os cuidados necessários pode causar lesões graves ou até fatais.</p>		<p>Golpes da lâmina podem acontecer quando a lâmina rotativa entra em contacto com um objecto sólido na área crítica. Existe a possibilidade de uma reacção violenta, provocando golpes violentos da unidade inteira ao operador. Esta reacção chama-se GOLPE DE LÂMINA. Em consequência destes, o operador pode perder o controlo sobre a unidade e sofrer lesões graves ou mortais. Golpes de lâmina são mais prováveis em áreas onde é difícil ver o material a cortar.</p>
	<p>Leia, compreenda e siga todas as advertências e instruções contidas neste manual e no aparelho.</p>		
	<p>Use sempre protecções para os olhos, cabeça e ouvidos durante a utilização do aparelho.</p>		<p>Mistura de combustível e óleo.</p>
	<p>Não use lâminas metálicas/rígidas quando vê este símbolo no aparelho.</p>		<p>Não toque no silenciador e arredores, pois podem estar muito quentes.</p>
	<p>Mantenha as crianças, observadores e ajudantes a uma distância de 15m do aparelho. Se alguém se aproximar, pare imediatamente o motor e o grupo de corte.</p>		<p>Descreve a posição do ar. O símbolo superior indica que o ar está fechado, e o inferior, que está totalmente aberto.</p>
	<p>Tenha cuidado com os objectos projectados pelo aparelho.</p>	<p>T</p>	<p>Regulação do carburador - ralenti</p>
	<p>Indica a velocidade máxima do eixo de accionamento. Não use ferramentas de corte cuja velocidade máxima em rpm é inferior ao regime de rpm do eixo.</p>	<p>L</p>	<p>Regulação do carburador – mistura de baixa velocidade</p>
	<p>Use luvas sempre que necessário, i.e. para montar a ferramenta de corte.</p>	<p>H</p>	<p>Regulação do carburador – mistura de alta velocidade</p>
	<p>Use calçado antiderrapante e robusto.</p>		<p>Bomba de escorvamento</p>
	<p>Indicar a posição da pega. Não monte a pega acima deste ponto.</p>		<p>Nível de potência sonora garantido</p>
<p>Antes de utilizar a máquina</p> <ul style="list-style-type: none"> • Leia cuidadosamente o manual. • Verifique se o equipamento de corte está correctamente montado e ajustado. • Ligue a unidade e verifique a afinação do carburador. Consulte "MANUTENÇÃO". 		<p>⚠️ ADVERTÊNCIA</p> <p>Os gases de escape deste produto contêm substâncias químicas que no Estado da Califórnia foram identifi cadas como causa de cancro, defeitos de nascimento e outros efeitos negativos no âmbito da reprodução.</p>	

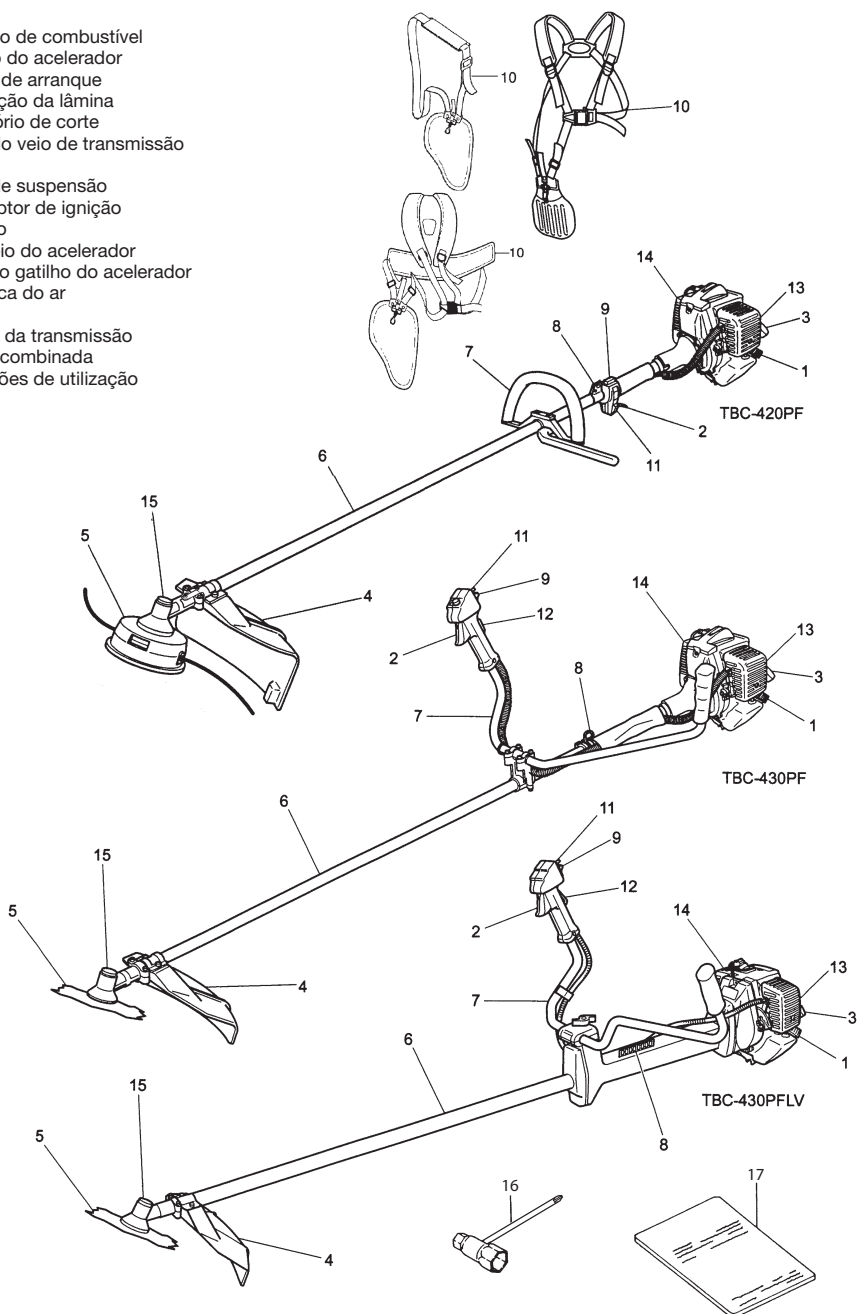
Sumário

Componentes da serr.....	2
Advertências e instruções de segurança	3
Especificações	4
Procedimentos de montagem	5
Procedimentos de operação	6
Manutenção	7

Componentes da serra

Uma vez que este manual abrange vários modelos, poderão existir algumas diferenças entre as imagens e a sua unidade. Utilize as instruções que se aplicam à sua unidade.

1. Tampão de combustível
2. Gatilho do acelerador
3. Punho de arranque
4. Protecção da lâmina
5. Acessório de corte
6. Tubo do veio de transmissão
7. Pega
8. Olhal de suspensão
9. Interruptor de ignição
10. Gancho
11. Bloqueio do acelerador
12. Visor do gatilho do acelerador
13. Alavanca do ar
14. Motor
15. Ângulo da transmissão
16. Chave combinada
17. Instruções de utilização



Advertências e instruções de segurança

Preste especial atenção aos textos precedidos pelos seguintes termos:

⚠️ ADVERTÊNCIA

Indica uma forte probabilidade de sofrer ferimentos pessoais ou perder a vida, se as instruções não forem observadas.

PRECAUÇÃO

Indica uma possibilidade de ferimentos pessoais ou danos materiais, se as instruções não forem observadas.

NOTA

Informações úteis sobre o funcionamento e uso correcto.

Segurança do operador

- Use sempre uma viseira ou óculos de protecção.
- Utilize sempre calças compridas e reforçadas e botas e luvas anti-derrapantes. Não use roupas folgadas, jóias e bijuteria, calções curtos, sandálias e nunca trabalhe descalço. Prenda o cabelo para este não cair por cima dos ombros.
- Não use este aparelho quando estiver cansado, doente ou sob efeitos de álcool, drogas ou medicamentos.
- Nunca deixe uma criança ou uma pessoa inexperiente operar este aparelho.
- Use uma protecção dos ouvidos. Preste atenção aos seus arredores. Fique atento a quaisquer observadores que possam estar a sinalizar um problema. Retire o equipamento de segurança imediatamente depois de desligar o motor.
- Nunca arranque ou deixe o motor a funcionar no interior de um quarto ou prédio. A inalação dos gases de escape pode provocar a morte.
- Mantenha as pegas livres de óleo e gasolina.
- Mantenha as mãos afastadas do mecanismo de corte.
- Não agarre nem segure o aparelho pelo mecanismo de corte.
- Utilize sempre luvas quando montar ou desmontar o acessório de corte, caso contrário podem ocorrer lesões graves.
- Depois de desligar o aparelho, certifique-se de que o mecanismo de corte tenha parado antes de pousar a serra.
- Durante trabalhos prolongados, faça pausas de vez em quando para prevenir a síndrome de vibração das mãos e braços (HAVS) causada pela vibração.

⚠️ ADVERTÊNCIA

Sistemas anti-vibratórios não garantem que o operador não sofra da síndrome de vibração das mãos e braços ou da síndrome do túnel cardial. Por esta razão, os utilizadores frequentes e contínuos devem estar sempre atentos ao estado das suas mãos e dedos. Se perceber qualquer um dos sintomas acima mencionados, consulte um médico imediatamente.

⚠️ ADVERTÊNCIA

Se usar um dispositivo médico eléctrico/electrónico como, por exemplo, um pacemaker, consulte o seu médico e o fabricante do aparelho antes de trabalhar com equipamentos motorizados.

Segurança do aparelho

- Inspeccione o aparelho inteiro antes de cada uso. Substitua as peças danificadas. Verifique se existem fugas de combustível e certifique-se de que todos os parafusos e porcas estejam correctamente instalados e apertados.
- Substitua todas as peças que estiverem rachadas, lascadas ou danificadas antes de usar este aparelho.
- Assegure-se que o revestimento da lâmina está correctamente montado.
- Mantenha outras pessoas afastadas ao fazer ajustes no carburador.
- Use exclusivamente os acessórios recomendados pelo fabricante para este aparelho.

⚠️ ADVERTÊNCIA

Nunca modifique o aparelho. Não use o aparelho para qualquer outra finalidade para a qual o mesmo não tenha sido concebido.

Segurança do combustível

- Misture e abasteça o combustível ao ar livre e num local onde não haja faíscas ou chamas.
- Use um recipiente aprovado para combustível.
- Não fume e proíba o fumo nas proximidades do combustível do aparelho e, também, durante o trabalho com o aparelho.
- Limpe qualquer combustível derramado antes de arrançar o motor.
- Afaste-se pelo menos 3 m do local de abastecimento antes de arrançar o motor.

- Desligue o motor antes de remover o tampão do depósito de combustível.
- Esvazie o depósito de combustível antes de guardar o aparelho. É recomendável esvaziar o depósito de combustível após cada uso. No caso de deixar o combustível no depósito, guarde o aparelho de forma que não haja vazamento de combustível.
- Guarde o aparelho num local onde os vapores do combustível não possam entrar em contacto com faíscas ou chamas abertas de aquecedores de água, motores ou interruptores eléctricos, fornos, etc.

⚠️ ADVERTÊNCIA

O combustível é facilmente inflamável, pode explodir e inalar fumos e, portanto, proceda com especial cautela quando estiver a manusear ou abastecer combustível.

Segurança durante o corte

- Não corte nenhum material que não seja relva e arbustos.
- Inspeccione a zona a cortar antes de cada utilização. Retire objectos que possam ser projectos ou ficar emaranhados.
- Para a protecção das vias respiratórias após uma aplicação de insecticidas, use uma máscara de protecção contra aerossóis.
- Mantenha outras pessoas, incluindo crianças, animais, curiosos ou ajudantes fora da zona de perigo de 15 metros. Desligue o motor imediatamente se alguém aproximar-se.
- Mantenha o motor no lado direito do corpo.
- Segure firmemente a unidade/máquina com ambas as mãos.
- Mantenha o equilíbrio e olhe onde anda. Não exceda o seu raio de alcance.
- Quando o motor estiver em funcionamento, mantenha todas as partes do corpo afastadas do silenciador e do mecanismo de corte.
- Mantenha o acessório de corte abaixo do nível da cintura.
- Quando se deslocar para outra zona de trabalho, desligue o motor e certifique-se de que o mecanismo de corte esteja parado.
- Nunca pouse a máquina em funcionamento no solo.
- Antes de remover resíduos ou relva do mecanismo de corte, certifique-se de que o motor esteja apagado e de que o mecanismo de corte esteja completamente parado.
- Tenha sempre um estojo de primeiros socorros perto quando trabalhar com equipamentos motorizados.
- Nunca arranque ou deixe o motor a funcionar em locais fechados e/ou nas proximidades de líquidos inflamáveis. A inalação dos gases de escape pode provocar a morte.
- Utilize o aparelho de acordo com a legislação regional e local.

Segurança durante a manutenção

- Faça a manutenção do aparelho de acordo com os procedimentos recomendados.
- Desligue a vela de ignição antes de iniciar a manutenção, excepto se tiver que fazer ajustes no carburador.
- Mantenha outras pessoas afastadas ao fazer ajustes no carburador.
- Use somente peças sobressalentes genuínas da Tanaka, tal como recomendado pelo fabricante.

PRECAUÇÃO

Não desmonte o motor de arranque. Existe o perigo de ferimentos com a mola do cabo de arranque.

⚠️ ADVERTÊNCIA

Não desmonte o dispositivo de arranque. Há um risco de ferimentos pessoais com a mola de recuo.

Transporte e armazenamento

- Transporte o aparelho com as mãos e o motor parado, mantendo o silenciador afastado do corpo.
- Deixe o motor arrefecer, esvazie o depósito de combustível, e sujeite o aparelho antes de guardá-lo ou transportá-lo num veículo.
- Esvazie o depósito de combustível antes de guardar o aparelho. É recomendável esvaziar o depósito de combustível após cada uso. No caso de deixar o combustível no depósito, guarde o aparelho de forma que não haja vazamento de combustível.
- Guarde o aparelho fora do alcance das crianças.
- Limpe o aparelho e efectue a sua manutenção cuidadosamente antes de arrumá-lo num local seco.
- Certifique-se de que o interruptor de ignição está desligado quando transportar ou guardar o aparelho.
- Para transportar o aparelho num veículo, cubra a lâmina com a respectiva protecção.

Se ocorrer algo que não estiver coberto neste manual, seja cauteloso e actue com senso comum. Contacte o seu concessionário Tanaka quando precisar de assistência técnica.

Especificações

MODELO		TBC-420PF	TBC-430PF	TBC-430PFLV
Motor				
Cilindrada (cm ³) (ml)		39.8 (2.43 cu.in)		
Vela de ignição		NGK RCJ8Y ou equivalentet		
Velocidade de ralenti (min ⁻¹)		2,800		
Velocidade máxima recomendada (min ⁻¹)		11,500		
Velocidade do eixo de transmissão (min ⁻¹)		8,700		
Potência máxima do motor (kW)		1.28 kw (@6,500 min ⁻¹)		
Capacidade do depósito de combustive (cm ³) (ml)		1,000 (33.8 fl. oz)		
Peso a seco (kg)		7.3 (16.1 lbs)	7.7 (16.9 lbs)	8.3 (18.3 lbs)
Acessório de corte	Tipo / Diâm. (mm)	Fio de nylon	Lâmina 3Tx255	Lâmina 3Tx305
Nível de pressão sonora LpA (dB (A))	(ISO 22868) Equivalente Incerteza	99.2 3	99.2 3	95.5 3
Nível de potência sonora medida LwA (dB (A))	(ISO 22868) Equivalente	112	108	108
Nível de potência sonora garantida LwA (dB (A))	(2000/14/EC) A funcionar	116	116	116
Nível de vibração (m/s ²)	(ISO 22867)			
Equivalente (pega dianteira/esquerda)		3.9	3.4	3.4
Equivalente (pega traseira/direita)		2.7	4.3	2.6
Incerteza		1.5	1.5	1.5
Ao ralenti (pega dianteira/esquerda)		3.0	3.4	3.6
Ao ralenti (pega traseira/direita)		2.8	3.3	2.3
A funcionar (pega dianteira/esquerda)		4.5	3.4	3.3
A funcionar (pega traseira/direita)		2.5	5.2	2.9

NOTA : Os níveis de ruído/vibrações equivalentes foram calculados como a energia total do tempo ponderado para os níveis de ruído/vibração em diferentes condições de trabalho, com a seguinte distribuição do tempo: 1/2 ao ralenti, 1/2 em aceleração.

* Todos os dados estão sujeitos a modificações sem aviso prévio.

Procedimentos de montagem

Montar o eixo de accionamento ao motor (Fig. 1)

Monte o motor à caixa da embraiagem (2), usando os 4 parafusos (1) juntamente fornecidos.

Instalação da pega (Fig. 2)

Monte a pega inclinada para o motor no tubo do eixo de accionamento.

Ajuste a posição mais confortável, mas não demasiado perto do corpo de accionamento.

NOTA

Se o seu aparelho tiver um autocolante com informação acerca do posicionamento da pega aplicado na manga do eixo de accionamento, siga estas indicações.

Instalação da pega (Fig. 3, 4)

Remova a peça de suporte da pega (1) antes da montagem. (Fig. 3) Posicione a pega e monte a peça de suporte da pega provisoriamente com os 4 parafusos. Ajuste até à posição apropriada. Depois fixe-a com firmeza com os parafusos.

Desenganche o apoio da coxa e passe os cabos de travamento, metidos na manga, e o cabo do acelerador (1) juntamente. (Fig. 6)

NOTA relativamente ao TBC-430PFLV (Fig. 5, 6)

Neste modelo, o eixo de accionamento e o motor vêm montados de fábrica. Deve apenas montar o punho do acelerador com um parafuso e uma porca na pega, e instalar então nas peças de suporte da pega. Aperte a porca de forma segura com a mão.

Cabo de travamento/do acelerador

Remova a tampa do filtro de ar. (Fig. 7)

Ligue os cabos de travamento. (Fig. 8)

Ligue o cabo do acelerador ao carburador. (Fig. 8)

Cubra o cabo de travamento e do acelerador juntos pela manga de protecção juntamente fornecida até à tampa do filtro de ar. (Fig. 9)

Instalação da protecção da lâmina (Fig. 10)

NOTA

Em alguns modelos, o suporte de protecção pode já estar montado na caixa de engrenagens.

Instale o revestimento da lâmina no eixo de accionamento contra a transmissão em ângulo. Aperte as peças de suporte com firmeza, para evitar que o revestimento da lâmina rode ou desça durante o trabalho.

PRECAUÇÃO

Algumas protecções da lâmina estão equipadas com limitadores de linha afiados. Tenha cuidado quando as manusear.

NOTA (Fig. 10)

Quando utilizar a cabeça de alumínio Tanaka (CH-100 ou CH-300) na sua unidade, o limitador de linha afiado (2) (se equipada) existente no saco de ferramentas, deve ser bem apertado à protecção da lâmina utilizando o parafuso ilustrado (3).

Quando utilizar uma cabeça para aparar com a protecção da lâmina de duas peças, fixe a extensão da protecção à protecção da lâmina. (Fig. 11)

NOTA

Quando ligar a extensão da protecção à protecção da lâmina, o limitador de linhas afiadas deve ser removido da protecção da lâmina (se instalado).

NOTA

Se a sua unidade tiver uma etiqueta de localização da protecção no tubo do eixo de transmissão, siga a indicação.

NOTA

Para retirar a extensão da protecção, consulte os esquemas. Use luvas, uma vez que a extensão tem um limitador de linhas afiado, de seguida prima as quatro patilhas, uma por uma. (Fig. 12)

Instalação da lâmina de corte (Fig. 13, 14)

(se equipada)

Quando instalar uma lâmina de corte, certifique-se de que esta não tem quaisquer rachas ou danos e que as extremidades de corte estão viradas para a direcção certa.

NOTA

- Quando instalar um tampão de suporte do cortador (1), coloque o lado côncavo virado para cima.
- Insira a chave sextavada (2) no orifício do ângulo de transmissão, de forma a bloquear o suporte do cortador (3). Tenha em consideração que o parafuso de fixação ou porca do cortador (4) tem roscas para a esquerda (rodar para a direita para soltar/rodar para a esquerda para apertar). Aperte o parafuso ou porca de fixação com a chave de caixa.

NOTA

Se o seu aparelho tiver uma protecção da porca mediante grampo, a lâmina deve ficar retida com um grampo novo (5) cada vez que é instalada. (Fig. 15)

PRECAUÇÃO

Antes de utilizar, certifique-se de que a lâmina foi correctamente instalada.

PRECAUÇÃO

Se a sua unidade estiver equipada com a tampa de protecção debaixo de uma lâmina de corte, verifique a existência de desgaste ou rachadelas, antes de utilizar. Se existirem danos ou desgaste, substitua-a, uma vez que é um artigo consumível.

Instalação da cabeça de corte semi-automática

ANOTAÇÃO!

Para a instalação consulte o manual de instruções, que é fornecido juntamente com a cabeça de corte.

ADVERTÊNCIA!

Para um desempenho e fiabilidade fantásticos, use sempre linha de corte de nylon Tanaka. Nunca use fi ou outros materiais que podem tornar-se um projectil perigoso.

Instalação da cabeça de corte BRAIN

NOTA

Para a instalação, consulte o manual de utilizador Brain, fornecido com a cabeça de corte Brain.

⚠️ ADVERTÊNCIA

Para as cabeças Tanaka Brain ou cabeça de alumínio Tanaka, utilize linhas flexíveis, não metálicas, recomendadas pelo fabricante. Nunca utilize fio ou cordas de fio. Podem quebrar e ornar-se um projectil perigoso.

NOTA

Quando utilizar a cabeça de liga Tanaka (CH-100), o comprimento inicial da linha de corte deve ser de aproximadamente 17 cm cada. (Fig. 16)

Procedimentos de operação

Combustível (Fig. 17)

⚠️ ADVERTÊNCIA

- **O aparador está equipado com um motor de dois tempos. Opere o motor sempre com combustível, que é misturado com óleo. Providencie uma boa ventilação quando manusear ou abastecer o combustível.**
- **O combustível é altamente infl amável e pode causar graves ferimentos se for inalado ou derramado no seu corpo. Actue sempre com máxima cautela quando tiver que manusear o combustível. Providencie sempre uma boa ventilação quando tiver que manusear o combustível no interior de um prédio.**

Combustível

- Use sempre gasolina sem chumbo de 89 octanas como combustível.
- Use óleo genuíno para motores a 2 tempos ou use uma mistura de 25:1 a 50:1. Consulte as instruções do óleo ou o concessionário Tanaka para saber a relação de mistura exacta.
- No estado da Califórnia, a relação deve ser 50:1.
- Se não conseguir encontrar óleo genuíno, use um óleo de qualidade com aditivos antioxidantes, que indique expressamente a sua compatibilidade com motores a 2 tempos refrigerados por ar (JASO FC GRADE OIL ou ISO EGC GRADE). Não use óleo misturado BIA ou TCW (tipo refrigeração por água a 2 tempos).
- Nunca use óleo multi-grau (10 W/30) ou óleo usado.
- Misture sempre o combustível e o óleo num recipiente limpo separado.

Comece sempre enchendo a metade da quantidade necessária de gasolina.

Logo, adicione a quantidade inteira de óleo. Misture (agite) a mistura de combustível. Finalmente, adicione a quantidade restante de gasolina.

Misture (agite) bem a mistura de combustível antes de abastecê-la no depósito de combustível do aparelho.

Quantidade de mistura de óleo para motor a dois tempos e gasolina

Gasolina (Litros)	Óleo para motor a dois tempos (ml)	
	Relação 50:1	Relação 25:1
0,5	10	20
1	20	40
2	40	80
4	80	160

Abastecimento de combustível

⚠️ ADVERTÊNCIA

- **Desligue sempre o motor antes de abastecer o combustível.**
- **Quando abastecer o combustível, abra lentamente o depósito de combustível para aliviar qualquer sobrepressão existente.**
- **Após o abastecimento, aperte o tampão do depósito de combustível cuidadosamente.**
- **Afaste o aparelho pelo menos 3 m da zona de abastecimento antes de arrancar o motor.**
- **Lave sempre qualquer combustível derramado na roupa imediatamente com água e sabão.**
- **Certifique-se de verifi car se há qualquer fuga de combustível após o abastecimento.**

Antes de abastecer o combustível, limpe a zona do tampão do depósito com cuidado, para evitar que nenhuma sujidade entre no depósito. Certifique-se de que o combustível esteja bem misturado antes de abastecer, agitando o recipiente para isso.

Arranque (Fig. 18, 19, 20, 21)

PRECAUÇÃO

Antes de arrancar, certifique-se de que o acessório de corte não corta em nada.

1. Coloque o interruptor de ignição (1) na posição ON. (Fig. 18, 19)
 - * Pressione a bomba de enchimento (4) várias vezes, para que o combustível passe pela manga de retorno (5) (não fornecido com todos os modelos) (Fig. 20)
2. Mantendo o travão do acelerador (2) (não fornecido com todos os modelos) premido, puxe do gatilho do acelerador e pressione no botão de travamento (3). A seguir, deixe primeiro recuar lentamente o gatilho e solte, depois, o travão do acelerador. Isto faz travar o acelerador na posição de arranque. (Fig. 18, 19)
3. Coloque a alavanca na posição CLOSED (4). (Fig. 21)
4. Puxe o cabo de arranque com força, tomando cuidado para manter a pega firmemente na mão, não deixando que o cabo volte para trás.
5. Quando ouvir que o motor quer arrancar, coloque novamente a alavanca do ar na posição RUN (aberta). De seguida, puxe novamente o motor de arranque com rapidez.

NOTA

Se o motor não arrancar, repita as operações de 2 a 5.

6. Depois de ligar o motor, puxe o gatilho do acelerador para soltar o bloqueio do acelerador. De seguida, deixe que o motor aqueça aproximadamente 2-3 minutos antes de submeter a qualquer carga.

Cortar (Fig. 22, 23, 24, 25)

- Quando cortar, accione o motor acima de 6500 rpm. Uma utilização prolongada a baixas rotações poderá desgastar prematuramente a embraiagem.
- Corte a relva da direita para a esquerda.
- A lâmina pode perfurar quando a lâmina em rotação entrar em contacto com um objecto sólido na área crítica. Pode ocorrer uma reacção crítica que faça com que toda a unidade e o operador sofram um choque violento. Esta reacção chama-se recuo da lâmina. Como tal, o operador pode perder controlo da unidade, o que pode provocar ferimentos graves ou fatais. O recuo da lâmina é mais provável que ocorra em zonas onde é difícil ver o material a cortar.
- Use o gancho tal como ilustrado (se equipado). A lâmina roda para a esquerda, sendo recomendado que utilize a unidade da direita para a esquerda, para um corte eficiente. Mantenha as pessoas fora da zona de trabalho de pelo menos 15 m.

NOTA

Prima o botão de desengate rápido ou puxe a aba de libertação de emergência (se equipado) em caso de emergência. (Fig. 24)

⚠️ ADVERTÊNCIA

Se o acessório de corte bater contra pedras ou outros detritos, pare o motor e certifique-se de que o acessório e peças relacionadas não estão danificados. Quando relva ou vinhais se enrolarem no acessório, pare o motor e o acessório e remova-os.

Paragem (Fig. 26)

Diminua a velocidade do motor e deixe trabalhar ao ralenti durante alguns minutos e, de seguida, desligue o interruptor da ignição.

⚠️ ADVERTÊNCIA

Um acessório de corte pode magoar se continuar a rodar depois de o motor parar ou se o controlo de potência for libertado. Depois de desligar o aparelho, certifique-se de que o mecanismo de corte tenha parado antes de pousar a serra.

Manutenção

A MANUTENÇÃO, SUBSTITUIÇÃO OU REPARAÇÃO DOS DISPOSITIVOS E O SISTEMA DE CONTROLO DE EMISSÕES DEVEM SER EFECTUADOS POR UMA OFICINA OU TÉCNICO DE SERVIÇO DE MOTORES NÃO RODOVIÁRIOS.

Regulação do carburador (Fig. 27)

⚠️ ADVERTÊNCIA

O acessório de corte pode estar a rodar durante as afinações do carburador.

⚠️ ADVERTÊNCIA

Nunca arranque o motor sem a tampa completa da embraiagem e o tubo montado! Caso contrário, a embraiagem pode soltarse e causar ferimentos.

No carburador o combustível é misturado com ar. O carburador é regulado na fábrica durante o ensaio de funcionamento do motor. Mais ajustes podem ser necessários de acordo com o clima e a altitude. O carburador oferece uma possibilidade de ajuste:

T = Parafuso de ajuste da velocidade de ralenti.

Ajuste da velocidade de ralenti (T)

Verifi que se o filtro de ar está limpo. Se a velocidade de ralenti estiver correcta, o mecanismo de corte não rodará. Se for preciso ajustar, feche o parafuso T (sentido horário), com o motor em funcionamento, até que o mecanismo de corte comece a rodar. Abra o parafuso (sentido anti-horário) até que o mecanismo de corte pare. A velocidade de ralenti estará correcta quando o motor funcionar suavemente em todas as posições bem abaixo das revoluções quando o mecanismo de corte começa a rodar. Se o mecanismo de corte continuar a rodar depois de ajustar a velocidade de ralenti, entre em contacto com o seu concessionário Tanaka.

NOTA

As rotações normais ao ralenti são de 2,500-3,000 min⁻¹.

NOTA

Alguns modelos, vendidos em regiões com severas regulamentações de controlo de emissões, não estão equipados

com os ajustes de alta e baixa velocidade do carburador. Estes ajustes permitem que o motor possa funcionar fora dos limites de emissões permissíveis. Nestes modelos, o velocidade de ralenti é o único ajuste do carburador.

Para modelos que estão equipados com ajustes de baixa e alta velocidades; os carburadores são afinados na fábrica. As pequenas afinações poderão otimizar o desempenho com base no clima, altitude, etc. Nunca rode os parafusos de afinação em incrementos superiores a 90 graus, uma vez que podem ocorrer danos no motor devido a uma afinação incorrecta. Se não estiver familiarizado com esta afinação, consulte um representante Tanaka.

⚠️ ADVERTÊNCIA

Quando o motor está em ralenti, o mecanismo de corte não deve rodar em nenhuma circunstância.

Filtro de ar (Fig. 28)

O filtro de ar deve ser limpo de poeira e sujidade para evitar:

- Falhas do carburador
- Problemas de arranque
- Redução da potência do motor
- Desgaste desnecessário das peças do motor
- Consumo de combustível anormalmente alto

Limpe o filtro de ar diariamente ou com ainda maior frequência quando trabalhar em zonas poeirentas.

Limpeza do filtro de ar

Remove o tampão do filtro de ar e o filtro (1). Lave-os em água de sabão morna. Verifi que se o filtro está seco antes de montá-lo novamente. Um filtro de ar em uso que tenha sido usado por algum tempo nunca poderá ficar totalmente limpo. Portanto, deve ser substituído periodicamente por um novo. Um filtro danificado deve ser substituído sempre.

Filtro de combustível (Fig. 29)

Drene todo o combustível do depósito de combustível e puxe a linha do filtro de combustível do depósito. Puxe o elemento do filtro para fora do suporte e limpe o elemento em água quente com detergente.

Lave bem até que todos os vestígios de detergente sejam eliminados. Aperte, não abane, qualquer água em excesso e permite que o elemento seque ao ar.

NOTA

Se o elemento estiver rígido devido à acumulação excessiva de sujidade, substitua-o.

Vela de ignição (Fig. 30)

O estado da vela de ignição é influenciado por:

- Ajustes incorrectos do carburador
- Mistura de combustível errada (demasiado óleo na gasolina)
- Filtro de ar sujo
- Condições de operação duras (p. ex. tempo frio)

Estes factores provocam depósitos nos eléctrodos da vela de ignição, que podem provocar falhas de funcionamento e dificuldades de arranque. Se o motor estiver com pouca potência, difícil de arrancar ou trabalhar a soluços em ralenti, verifique a vela de ignição antes de mais nada. Se a vela de ignição estiver suja, limpe-a e verifique a folga entre os eléctrodos. Ajuste a folga se necessário. A folga correcta é de 0,6 mm. A vela de ignição deve ser substituída após aproximadamente 100 horas de funcionamento, ou mais cedo se os eléctrodos estiverem muito corroidos.

NOTA

Nalgumas regiões, a lei exige o uso de uma vela de resistores para impedir a emissão de ruído electromagnético. Se o seu aparelho foi fornecido com uma vela de resistores, use o mesmo tipo de vela para substituí-la.

Ângulo da transmissão (Fig. 31)

Verifique o ângulo da transmissão ou o ângulo da engrenagem para o nível de massa lubrificante a aproximadamente cada 50 horas de utilização, retirando o bujão de massa lubrificante na parte lateral da transmissão.

Se não existir massa lubrificante nas partes laterais das engrenagens, encha a transmissão com massa lubrificante de qualidade à base de lítio até 3/4. Não encha completamente a transmissão.

Lâmina (Fig. 32)

ADVERTÊNCIA

Use luvas de protecção quando manusear ou efectuar manutenção na lâmina.

- Utilize uma lâmina afiada. Uma lâmina romba pode encravar e provocar ressaltos. Substitua a porca de aperto se estiver danificada cada e for difícil apertar.
- Quando substituir a lâmina, adquira uma recomendada pela Tanaka, com um orifício de fixação de 25,4 mm.
- Quando instalar uma lâmina de serra (2), coloque sempre o lado estampado virado para cima. Em caso de uma lâmina de 3 ou 4 dentes (1), pode ser utilizado em ambos os lados.
- Utilize a lâmina correcta para o tipo de trabalho.
- Quando substituir lâminas, utilize ferramentas adequadas.
- Quando as extremidades de corte ficarem rombas, volte a afiar tal como ilustrado. Uma afiação incorrecta pode provocar vibrações excessivas.
- Elimine lâminas que estão dobradas, empenadas, rachadas, quebradas ou danificadas de alguma forma.

NOTA

Quando afiar a lâmina, é importante manter o formato original de raio na base do dente, para evitar rachadelas.

Plano de manutenção

A seguir encontrará algumas instruções gerais de manutenção. Se precisar de mais informações, contacte o seu concessionário

Tanaka.

Manutenção diária

- Limpe o exterior do aparelho.
- Verifique se a cablagem não está danificada.
- Verifique a protecção da lâmina para a existência de dados ou rachadelas. Mude a protecção em caso de impactos ou rachadelas.
- Verifique se o acessório de corte está bem centrado, afiado e sem rachadelas. Um acessório de corte descentrado provoca vibrações pesadas que podem danificar a unidade.
- Verifique se a porca do acessório de corte está bem apertada.
- Certifique-se de que o resguardo de transporte da lâmina não está danificado e que possa ser instalado firmemente.
- Verifique se as porcas e parafusos estão suficientemente apertados.

Manutenção semanal

- Verifique o motor de arranque, especialmente o cabo.
- Limpe o exterior da vela de ignição.
- Retire a vela de ignição e verifique a folga entre os eléctrodos. Ajuste, se necessário, a 0,6 mm ou substitua a vela.
- Verifique se a admissão de ar no motor de arranque não está entupida.
- Controle o estado de lubrificação da engrenagem em ângulo: Enchimento até 3/4.
- Limpe o filtro de ar.

Manutenção mensal

- Lave o depósito de combustível com gasolina e, em seguida, limpe o filtro de combustível.
- Limpe o exterior do carburador e o espaço ao redor dele.

Manutenção trimestral

- Limpe as abas de arrefecimento no cilindro.
- Limpe a ventoinha e o espaço ao redor dela.
- Remova o carvão do silenciador.

PRECAUÇÃO







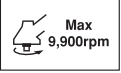


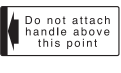

A limpeza das alhetas do cilindro, da ventoinha e do silenciador deve ser efectuada por um concessionário autorizado da Tanaka.

Absorvedor de faíscas

Se a sua unidade estiver equipada com um painel para absorção de faíscas, e as autoridades locais exigirem a utilização do absorvedor de faíscas para prevenir incêndios, por favor monte-o no silenciador, desmontando para isso o protector do silenciador e outras peças, conforme necessário.

(O absorvedor de faíscas cumpre as normas SAE J335-SEP90 e CSA CAN3-Z62 1-M77)

Επεξήγηση συμβολών**ΣΗΜΕΙΩΣΗ : Δεν υπάρχουν σε ορισμένες συσκευές.**

Σύμβολα	
⚠ ΠΡΟΕΙΔΟΠΟΙΗΣΗ Τα παρακάτω δείχνουν τα σύμβολα που χρησιμοποιούνται στο μηχάνημα. Βεβαιωθείτε ότι κατανοείτε τη σημασία τους πριν τη χρήση.	
	Είναι σημαντικό να διαβάσετε, να κατανοήσετε πλήρως και να τηρείτε τις ακόλουθες υποδείξεις ασφαλείας και προειδοποίησης. Η ακατάλληλη ή αμέλεια χρήση της συσκευής μπορεί να προκαλέσει σοβαρούς τραυματισμούς.
	Διαβάστε, κατανοήστε και ακολουθήστε όλες τις προειδοποιήσεις και οδηγίες αυτού του εγχειριδίου της συσκευής.
	Φοράτε πάντα προστατευτικά γυαλιά, κράνος και προστατευτικά αυτιών όταν χρησιμοποιείτε τη συσκευή.
	Μην χρησιμοποιήσετε μεταλλικές/άκαμπτες λάμες όταν εμφανίζεται αυτό το σημάδι στη συσκευή.
	Κρατήστε όλα τα παιδιά, τους παρισταμένους και τους βοηθούς 15 m μακριά από τη συσκευή. Εάν κάποιος σας πλησιάσει, σταματήστε το κινητήρα και το κοπτικό εξάρτημα αμέσως.
	Δώστε προσοχή στο πέταγμα αντικειμένων
	Δείχνει τη μέγιστη ταχύτητα του άξονα. Μην χρησιμοποιήσετε ένα κοπτικό εξάρτημα του οποίου η ανώτατη περιστροφή/λεπτό είναι κάτω από την περιστροφή/λεπτό του άξονα.
	Γάντια πρέπει να φοριούνται όταν χρειάζεται, π.χ., κατά τη συναρμολόγηση του κοπτικού εξαρτήματος.
	Χρησιμοποιήστε αντιολισθητικό και ανθεκτικό εξοπλισμό.
	Δείτε τη θέση της λαβής. Μην συνδέσετε τη λαβή πάνω από αυτό το σημείο.
	Εγγυημένο επίπεδο ηχητικής ισχύος
Πριν τη χρήση του μηχανήματός σας <ul style="list-style-type: none"> • Διαβάστε προσεκτικά το εγχειρίδιο. • Ελέγξτε ότι ο εξοπλισμός κοπής είναι σωστά συναρμολογημένος και ρυθμισμένος. • Εκκινήστε τη συσκευή και ελέγξτε την ρύθμιση του καρμπυρατέρ. Δείτε το "ΣΥΝΤΗΡΗΣΗ". 	
⚠ ΠΡΟΕΙΔΟΠΟΙΗΣΗ Η εξάτμιση του κινητήρα αυτού του προϊόντος περιέχει χημικά στοιχεία τα οποία είναι γνωστά στην Πολιτεία της Καλιφόρνιας ότι προκαλούν καρκίνο, ανωμαλίες στη γέννηση και άλλες βλάβες στην αναπαραγωγή.	

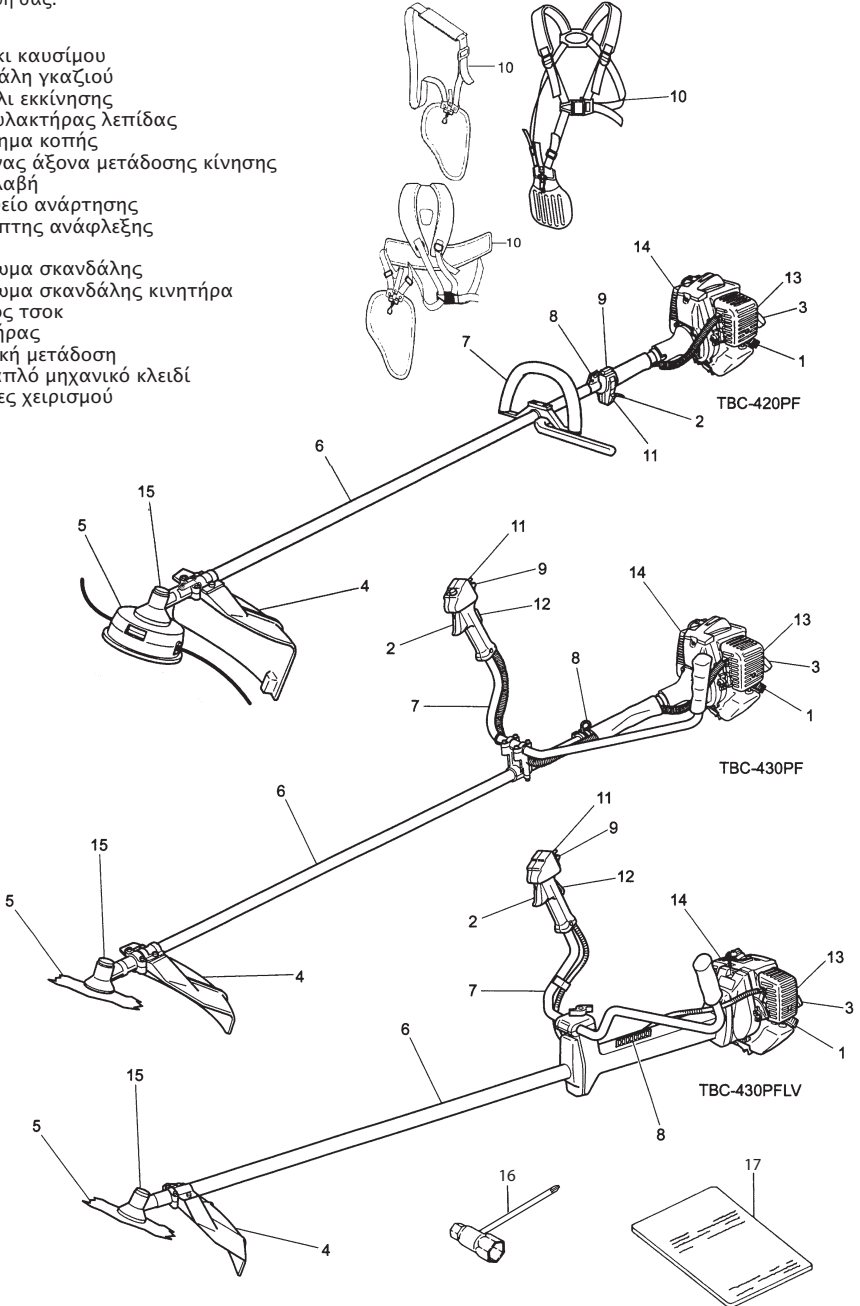
Περιεχόμενα

Τι είναι τι.....	2
Προειδοποιήσεις και υποδείξεις ασφαλείας	3
Τεχνικά χαρακτηριστικά	4
Διαδικασίες συναρμολόγησης	5
Διαδικασία λειτουργίας.....	6
Συντήρηση	7

Τι είναι τι

Καθώς αυτό το εγχειρίδιο καλύπτει παραπάνω από ένα μοντέλα, μπορεί να υπάρχουν κάποιες διαφορές ανάμεσα στις εικόνες και στη συσκευή σας. Χρησιμοποιήστε τις οδηγίες που αντιστοιχούν στη συσκευή σας.

1. Καπάκι καυσίμου
2. Σκανδάλη γκαζιού
3. Χερούλι εκκίνησης
4. Προφυλακτήρας λεπίδας
5. Εξάρτημα κοπής
6. Σωλήνας άξονα μετάδοσης κίνησης
7. Χειρολαβή
8. Στροφέιο ανάρτησης
9. Διακόπτης ανάφλεξης
10. Λουρί
11. Κλείδωμα σκανδάλης
12. Κλείδωμα σκανδάλης κινητήρα
13. Μοχλός τσοκ
14. Κινητήρας
15. Γωνιακή μετάδοση
16. Πολλαπλό μηχανικό κλειδί
17. Οδηγίες χειρισμού



Προειδοποιήσεις και υποδείξεις ασφαλείας

Δώστε ιδιαίτερη προσοχή στις προτάσεις που αποτελούνται από τις παρακάτω λέξεις:

⚠️ ΠΡΟΕΙΔΟΠΟΙΗΣΗ

Υποδεικνύει μια υψηλή πιθανότητα σοβαρού τραυματισμού ή βλάβης εξοπλισμού, αν δεν ακολουθηθούν οι οδηγίες.

ΠΡΟΕΙΔΟΠΟΙΗΣΗ

Υποδεικνύει μια πιθανότητα τραυματισμού ή βλάβης εξοπλισμού αν δεν ακολουθηθούν οι οδηγίες.

ΣΗΜΕΙΩΣΗ

Βοηθητική πληροφορία για σωστή λειτουργία και χρήση.

Ασφάλεια χρήστη

- Πάντοτε να φοράτε μια προστατευτική προσωπίδα ή προστατευτικά γυαλιά.
- Πάντα να φοράτε χοντρό, μακρύ παντελόνι και αντιστοίχες μπότες και γάντια. Μην φοράτε φαρδιά ρούχα, κοσμημάτα, κοντά παντελόνια, σανδάλια ή να είστε ξυπόλυτοι. Αφαιράστε τα μαλλιά σας σε ύψος πάνω από τον ώμο.
- Μην κάνετε χρήση αυτού του εργαλείου όταν ήσαστε κουρασμένοι, αρρωστοί ή υπό την επήρεια αλκοόλ, ναρκωτικών ή φαρμάκων.
- Ποτέ μην επιτρέψετε σε ένα παιδί να ή ένα άπειρο άτομο να χειριστεί αυτό το εργαλείο.
- Φοράτε προστατευτικά ακοής. Δώστε προσοχή γύρω σας. Προσέξτε τους παραβρισκόμενους οι οποίοι μπορεί να σας υποδεικνύουν κάποιο πρόβλημα. Αφαιρέστε αμέσως τον εξοπλισμό ασφαλείας μετά το σήσιμο του κινητήρα.
- Ποτέ μην ξεκινάτε ή λειτουργείτε τον κινητήρα μέσα σε ένα κλειστό δωμάτιο ή κτίριο. Η εισπνοή των καυσαερίων της εξάτμισης μπορεί να επιφέρει το θάνατο.
- Διατηρείτε τις λαβές καθαρές από λάδι και καύσιμα.
- Κρατάτε τα χέρια μακριά από το εξάρτημα κοπής.
- Μην αρπάζετε ή κρατάτε τη συσκευή από το εξάρτημα κοπής.
- Πάντα να φοράτε γάντια όταν συναρμολογείτε ή αποσυναρμολογείτε το κοπή εξάρτημα, διαφορικά μπορεί να προκύψει σοβαρός τραυματισμός.
- Όταν η συσκευή είναι κλειστή, βεβαιωθείτε ότι το εξάρτημα κοπής έχει σταματήσει να λειτουργεί πριν τοποθετήσετε τη συσκευή κάτω.
- Κατά την παρατεταμένη λειτουργία, κατά διαστήματα κάνετε ένα διάλειμμα για να αποφύγετε το πιθανό σύνδρομο της δόνησης χεριού-βραχιονίου (HAVS) που προκαλείται από την έντονη δόνηση.

⚠️ ΠΡΟΕΙΔΟΠΟΙΗΣΗ

Τα συστήματα κατά της δόνησης δεν εγγυώνται ότι δεν θα υποστείτε το σύνδρομο χεριού-βραχιονίου ή ένα σύνδρομο καρδιακού σωλήνα. Για αυτό να πρέπει οι τακτικοί χρήστες να ελέγχουν συχνά την κατάσταση των χεριών και δακτύλων τους. Αν παρουσιαστεί κάποιο από τα παραπάνω συμπτώματα, συμβουλευτείτε άμεσα έναν ιατρό.

⚠️ ΠΡΟΕΙΔΟΠΟΙΗΣΗ

Εάν χρησιμοποιείτε κάποιες ηλεκτρικές/ηλεκτρονικές ιατρικές συσκευές όπως έναν βηματοδότη, συμβουλευτείτε τον ιατρό όπως επίσης και τον κατασκευαστή της συσκευής πριν την χρήση του οποιοδήποτε μηχανοκίνητου εξοπλισμού.

Ασφάλεια συσκευής/μηχανήματος

- Ελέγξτε όλη τη συσκευή/μηχάνημα πριν από κάθε χρήση. Αντικαταστήστε τα εξάρτηματα που έχουν φθαρεί. Ελέγξτε τις διαρροές καυσίμου και βεβαιωθείτε ότι όλοι οι σύνδεσμοι βρίσκονται στη θέση τους και είναι σφιγμένοι.
- Αντικαταστήστε τα εξάρτηματα που παρουσιάζουν ρωγμές, ραγίσματα ή έχουν πάθει οποιοδήποτε ζημία, πριν την χρήση της συσκευής/μηχανήματος.
- Σιγουρευτείτε ότι ο προφυλακτικός της λάμας είναι σωστά τοποθετημένος.
- Κρατήστε τα άλλα άτομα μακριά όταν ρυθμίζετε το καρμπυρατέρ.
- Χρησιμοποιείτε μόνο ανταλλακτικά που συστήνονται για αυτή τη συσκευή/μηχάνημα από τον κατασκευαστή.

⚠️ ΠΡΟΕΙΔΟΠΟΙΗΣΗ

Ποτέ μην τοποθετείτε τη συσκευή/μηχάνημα με οποιοδήποτε τρόπο. Μην χρησιμοποιείτε τη συσκευή/μηχάνημα για άλλη χρήση εκτός από αυτή για την οποία προορίζεται.

Ασφάλεια καυσίμου

- Ανακατεύετε και ρίχνετε το καύσιμο σε εξωτερικό χώρο και όπου δεν υπάρχουν σπίλες ή φλόγες.
- Χρησιμοποιείτε ένα δοχείο κατάλληλο για καύσιμα.
- Μην καπνίζετε ή επιτρέπετε το κάπνισμα κοντά σε καύσιμα ή στη συσκευή/μηχάνημα ή κατά την χρήση της συσκευής/μηχανήματος.
- Σκουπίστε όλες τις κηλίδες καυσίμου πριν την εκκίνηση του κινητήρα.

- Μετακινήθειτε τουλάχιστον 3 μέτρα μακριά από την περιοχή τροφοδοσίας καυσίμου πριν την εκκίνηση του κινητήρα.
- Σταματήστε τον κινητήρα πριν την αφαίρεση του κατακίου του καυσίμου.
- Αδειάστε τη δεξαμενή πριν την αποθήκευση της συσκευής/μηχανήματος. Συνιστάται το αδειασμα του καυσίμου μετά από κάθε χρήση. Αν το καύσιμο παραμένει στη δεξαμενή, αποθηκεύστε το ώστε να μην υπάρξει διαρροή.
- Αποθηκεύστε τη συσκευή/μηχάνημα και το καύσιμο σε χώρο όπου οι ατμοί του καυσίμου δεν μπορούν να φτάσουν σε σπινθήρες ή ανοικτές φλόγες από θερμαντήρες νερού, ηλεκτρικούς κινητήρες ή διακοπές, λέβητες κλπ.

⚠️ ΠΡΟΕΙΔΟΠΟΙΗΣΗ

Το καύσιμο μπορεί να ευκολιά να αναφλεγεί, εκραγεί ή να εισπνευστούν οι ατμοί του, έτσι προσέξτε ιδιαίτερα κατά τον χειρισμό ή το γέμισμα του καυσίμου.

Ασφάλεια κοπής

- Μη κόβετε οποιοδήποτε άλλο υλικό εκτός από γρασίδι και θάμνους.
- Ελέγξτε τη περιοχή κοπής πριν από κάθε χρήση. Αφαιρέστε αντικείμενα τα οποία μπορούν να πεταχτούν ή να μπλεχτούν.
- Για την προστασία της αναπνοής, φορέστε μια μάσκα προστασίας ενάντια στα αεροζόλια κατά την κοπή του γρασιδιού στο οποίο προηγήθηκε ψεκασμός φυτοφαρμάκων.
- Κρατήστε τους άλλους συμμεριλαμβανόμενων των παιδιών, ζώων και τους παραβρισκόμενους και βοηθούς μακριά από τη ζώνη κινδύνου. Σταματήστε τον κινητήρα αμέσως όταν κάποιος σας πλησιάσει.
- Πάντα κρατάτε τον κινητήρα στη δεξιά πλευρά του σώματός σας.
- Κρατείστε τη συσκευή/μηχάνημα γερά και με τα δύο χέρια.
- Διατηρήστε σταθερό πατάμα και ισορροπία. Μην τεντώνεστε.
- Κρατήστε όλα τα μέρη του σώματός σας μακριά από το σιγαστέρη και το εξάρτημα κοπής όταν η μηχανή λειτουργεί.
- Κρατείστε το εξάρτημα κοπής κάτω από το ύψος της μέσης.
- Κατά την μετακίνησή σας σε μια νέα περιοχή εργασίας, φροντίστε να σφίξετε το μηχάνημα και διασφαλίστε ότι όλα τα εξαρτήματα κοπής είναι σταματημένα.
- Ποτέ να μην τοποθετείτε το μηχάνημα στο έδαφος όταν αυτό βρισκείται σε λειτουργία.
- Πάντοτε να διασφαρίζετε ότι ο κινητήρας είναι εκτός λειτουργίας και τα εξαρτήματα κοπής είναι πλήρως σταματημένα πριν καθαρίσετε τα θραύσματα ή αφαιρέσετε το γρασίδι από τα εξαρτήματα κοπής.
- Πάντοτε να έχετε ένα κουτί πρώτων βοηθειών όταν χειρίζεστε οποιοδήποτε μηχανοκίνητο εργαλείο.
- Ποτέ να μην ξεκινάτε ή λειτουργείτε τον κινητήρα μέσα σε ένα κλειστό δωμάτιο ή κτίριο ή/και κοντά σε ένα εύφλεκτο υγρό. Η εισπνοή των καυσαερίων της εξάτμισης μπορεί να επιφέρει το θάνατο.
- Παρακαλώτε να χρησιμοποιείτε τη συσκευή/το μηχάνημα σύμφωνα με την πρακτική και την τοπική νομοθεσία.

Ασφάλεια συντήρησης

- Διατηρήστε τη συσκευή/μηχάνημα σύμφωνα με τις απαιτούμενες διαδικασίες.
- Αποσυνδέστε το μπουζί πριν από την εκτέλεση της συντήρησης εκτός από την περίπτωση των ρυθμίσεων του καρμπυρατέρ.
- Κρατήστε τα άλλα άτομα μακριά όταν ρυθμίζετε το καρμπυρατέρ.
- Χρησιμοποιείτε μόνο αυθεντικά ανταλλακτικά της Tanaka όπως συνιστάται από τον κατασκευαστή.

ΠΡΟΕΙΔΟΠΟΙΗΣΗ

Μην αποσυναρμολογείτε τον εκκινητήρα ανατύλιξης. Σοβαροί τραυματισμοί μπορούν να προκληθούν από αναπήδηση του εκκινητήρα.

⚠️ ΠΡΟΕΙΔΟΠΟΙΗΣΗ

Η ακατάλληλη συντήρηση μπορεί να οδηγήσει σε σοβαρή βλάβη του κινητήρα ή σε σοβαρό τραυματισμό.

Μεταφορά και αποθήκευση

- Μεταφέρετε τη συσκευή/μηχάνημα με το χέρι με τη μηχανή σταματημένη και το σιγαστέρη μακριά από το σώμα σας.
- Αρστήτε τη μηχανή να κρυσώσει, αδειάστε τη δεξαμενή καυσίμου και ασφαλίστε τη συσκευή/μηχάνημα πριν την αποθήκευση ή μεταφορά σε ένα όχημα.
- Αδειάστε τη δεξαμενή πριν την αποθήκευση της συσκευής/μηχανήματος. Συνιστάται το αδειασμα του καυσίμου μετά από κάθε χρήση. Αν το καύσιμο παραμένει στη δεξαμενή, αποθηκεύστε το ώστε να μην υπάρξει διαρροή.
- Αποθηκεύστε τη συσκευή/μηχάνημα μακριά από παιδιά.
- Καθαρίζετε και συντηρείτε τη συσκευή προσεκτικά και αποθηκεύστε σε ξηρό μέρος.
- Βεβαιωθείτε ότι η μηχανή είναι σβησμένη κατά τη μεταφορά ή την αποθήκευση.
- Όταν τη μεταφέρετε σε ένα αμάξι, καλύψτε τη ληπίδα με το κάλυμμα της.

Στις περιπτώσεις που σας δεν καλύπτει αυτός ο οδηγός, χρησιμοποιήστε τη βοήθεια του κέντρου υποστήριξης πελάτη ή επικοινωνήστε με τον εμπορικό αντιπρόσωπο της Tanaka αν χρειαστείτε βοήθεια.

Τεχνικά χαρακτηριστικά

ΜΟΝΤΕΛΟ		TBC-420PF	TBC-430PF	TBC-430PFLV
Κινητήρας				
Εκτόπιση (cm ³) (ml)		39.8 (2.43 cu.in)		
Μπουζί		NGK RCJ8Y ή παρόμοιος		
Ρελαντί (min ⁻¹)		2,800		
Προτεινόμενη μέγιστη ταχύτητα (min ⁻¹)		11,500		
Ταχύτητα άξονα εξόδου κίνησης (min ⁻¹)		8,700		
Μέγιστη ισχύς του κινητήρα (kW)		1.28 kw (@6,500 min ⁻¹)		
Χωρητικότητα δεξαμενής καυσίμου (cm ³) (ml)		1,000 (33.8 fl. oz)		
Καθαρό βάρος (kg)		7.3 (16.1 lbs)	7.7 (16.9 lbs)	8.3 (18.3 lbs)
Εξάρτημα κοπής	Τύπος / Δια. (mm)	Κατάλληλο καλώδιο	Μεταλλική λεπίδα 3Τx255	Μεταλλική λεπίδα 3Τx305
Επίπεδο ηχητικής πίεσης LpA (dB (A))	(ISO 22868)			
	Παρόμοιος	99.2	99.2	95.5
	Αβεβαιότητα	3	3	3
Μετρημένη στάθμη ηχητικής ισχύος LwA σε (dB (A))	(ISO 22868)			
	Παρόμοιος	112	108	108
Εγγυημένη στάθμη ηχητικής ισχύος LwA σε (dB (A))	(2000/14/EC)			
	Επιτάχυνση	116	116	116
Επίπεδο δόνησης (m/s ²)	(ISO 22867)			
Ισοδύναμο (Πρόσθια / Αριστερή λαβή)		3.9	3.4	3.4
Ισοδύναμο (Οπίσθια / Δεξιά λαβή)		2.7	4.3	2.6
Αβεβαιότητα		1.5	1.5	1.5
Ρελαντί (Πρόσθια / Αριστερή λαβή)		3.0	3.4	3.6
Ρελαντί (Οπίσθια / Δεξιά λαβή)		2.8	3.3	2.3
Επιτάχυνση (Πρόσθια / Αριστερή λαβή)		4.5	3.4	3.3
Επιτάχυνση (Οπίσθια / Δεξιά λαβή)		2.5	5.2	2.9

ΣΗΜΕΙΩΣΗ : Τα ισοδύναμα επίπεδα θορύβου/δόνησης είναι υπολογισμένα ως η σταθμισμένη στο χρόνο συνολική ενέργεια για τα επίπεδα θορύβου/δόνησης υπό διαφορετικές συνθήκες εργασίας με την ακόλουθη κατανομή του χρόνου: 1/2 ρελαντί, 1/2 επιτάχυνση.

* Όλα τα δεδομένα μπορούν να τροποποιηθούν χωρίς προειδοποίηση.

Διαδικασίες συναρμολόγησης

Κινητήριος άξονας στο κινητήρα (Εικ. 1)

Συνδέστε τον κινητήρα στη θήκη του συμπλέκτη (2) με τις τέσσερις βίδες ή τα μπουλόνια (1) που παρέχονται.

Τοποθέτηση της λαβής (Εικ. 2)

Συνδέστε τη λαβή στο σωλήνα του άξονα μετάδοσης κίνησης με τη γωνία προς το κινητήρα.

Πριν από τη λειτουργία ρυθμίστε τη θέση στο πιο βολικό μέρος αλλά όχι πολύ κοντά στη κεφαλή του κινητήρα.

ΣΗΜΕΙΩΣΗ

Αν η συσκευή σας έχει ετικέτα πάνω στον σωλήνα του άξονα μετάδοσης κίνησης με οδηγίες για την τοποθέτηση της λαβής ακολουθήστε τις.

Τοποθέτηση της λαβής (Εικ. 3, 4)

Αφαιρέστε το υποστήριγμα της λαβής (1) από τη συνδεσμολογία. (Εικ. 3)

Τοποθετήστε τις λαβές και συνδέστε χαλαρά το υποστήριγμα της λαβής με τα τέσσερα μπουλόνια. Ρυθμίστε στην κατάλληλη θέση. Κατόπιν στερεώστε το καλά με τα μπουλόνια.

Απαγκιστρώστε το προστατευτικό παράβλημα και τυλίξτε τα κορδόνια σταματήματος του σωλήνα και τη ντίζα του γκαζιού (1) με αυτό. (Εικ. 6)

ΣΗΜΕΙΩΣΗ για το TBC-430PFLV (Εικ. 5, 6)

Ο άξονας μετάδοσης κίνησης και ο κινητήρας αυτού του μοντέλου έχουν προ-συναρμολογηθεί στο εργοστάσιο. Το μόνο που πρέπει να κάνετε είναι να συνδέσετε την πρόσφυση του γκαζιού στη λαβή με μια βίδα και ένα παξιμάδι και μετά να τη τοποθετήσετε στα υποστήριγμα της λαβής. Βιδώστε καλά το παξιμάδι με τα δάκτυλα.

Σύρμα τροφοδοσίας/καλώδιο σταματήματος

Αφαιρέστε το κάλυμμα του φίλτρου αέρα. (Εικ. 7)

Συνδέστε τα καλώδια σταματήματος. (Εικ. 8)

Συνδέστε το άκρο του σύρματος τροφοδοσίας. (Εικ. 8)
Καλύψτε το σύρμα τροφοδοσίας και τα καλώδια σταματήματος μαζί με τον παρεχόμενο προστατευτικό σωλήνα μέχρι το σημείο του καλύμματος του φίλτρου αέρα. (Εικ. 9)

Τοποθέτηση του προφυλακτήρα λεπίδας (Εικ. 10)

ΣΗΜΕΙΩΣΗ

Σε ορισμένα μοντέλα το υποστήριγμα προφυλακτήρα ενδέχεται να είναι ήδη συνδεδεμένο στο κιβώτιο ταχυτήτων.

Τοποθετήστε το προφυλακτήρα της λάμας στον σωλήνα του άξονα μετάδοσης κίνησης νάντια στη γωνιακή μετάδοση. Σφίξτε το υποστήριγμα του προφυλακτήρα καλά έτσι ώστε ο προφυλακτήρας της λάμας να μην πριστράφεται ή να μετακινείται προς τα κάτω κατά τη λειτουργία.

ΠΡΟΕΙΔΟΠΟΙΗΣΗ

Κάποιοι προφυλακτήρες λεπίδας είναι εφοδιασμένοι με αιχμηρά άκρα. Προσοχή κατά το χειρισμό τους.

ΣΗΜΕΙΩΣΗ (Εικ. 10)

Όταν γίνεται χρήση της αλουμιένιας κεφαλής της Tanaka (CH-100 ή CH-300) στη συσκευή σας, το αιχμηρό άκρο (2) (Εάν παρέχεται) που περιλαμβάνεται στη τσάντα εργαλείων, πρέπει να στερεώνεται καλά στον προφυλακτήρα χρησιμοποιώντας τα μπουλόνια που φαίνεται (3).

Όταν χρησιμοποιείτε μια κεφαλή κοπτικού, με προφυλακτήρα λεπίδας δύο τεμαχίων, συνδέστε την προέκταση του προφυλακτήρα στον προφυλακτήρα λεπίδας. (Εικ. 11)

ΣΗΜΕΙΩΣΗ

Κατά τη σύνδεση της προέκτασης του προφυλακτήρα στον προφυλακτήρα της λεπίδας, το αιχμηρό άκρο πρέπει να αφαιρείται από τον προφυλακτήρα της λεπίδας (εάν έχει τοποθετηθεί).

ΣΗΜΕΙΩΣΗ

Εάν η συσκευή σας έχει στον άξονα μετάδοσης κίνησης ετικέτα με οδηγίες για την τοποθέτηση της λαβής, ακολουθείστε την εικόνα.

ΣΗΜΕΙΩΣΗ

Για την αφαίρεση της προέκτασης του προφυλακτήρα, ανατρέξτε στα σχέδια. Φοράτε γάντια καθώς η επέκταση έχει αιχμηρά άκρα, έπειτα σπρώξτε τις τέσσερις τετράγωνες προεξοχές στον προφυλακτήρα μια προς μια με τη σειρά. (Εικ. 12)

Τοποθέτηση της λεπίδας κοπής (Εικ. 13, 14)

(Εάν παρέχεται)

Όταν τοποθετείτε μια λεπίδα κοπής, σιγουρευτείτε ότι δεν υπάρχουν ραγίσματα ή οποιαδήποτε ζημιά σε αυτή και ότι οι άκρες κοπής είναι στραμμένες στη σωστή κατεύθυνση.

ΣΗΜΕΙΩΣΗ

- Κατά την εγκατάσταση του καλύμματος στήριξης του κόπτη (1), σιγουρευτείτε ότι έχετε τοποθετήσει την κόλλη πλευρά προς τα επάνω.
- Εισάγετε το κλειδί Άλλεν (2) στην τρύπα της γωνιακής μετάδοσης προκειμένου να κλειδωθεί ο συγκρατητής του κόπτη (3). Παρακαλώ σημειώστε ότι το μπουλόνι στερέωσης του κόπτη ή το παξιμάδι (4) έχει αριστερόστροφο σπείραμα, (ξεσφίγγει κατά τη φορά του ρολογιού/ σφίγγει κατά την αντίθετη φορά). Σφίξτε το μπουλόνι στερέωσης ή το παξιμάδι με το γαλλικό κλειδί.

ΣΗΜΕΙΩΣΗ

Αν η συσκευή σας είναι του τύπου στερέωσης με παξιμάδι και είναι εφοδιασμένη με περόνη η λάμα πρέπει να στερεώνεται με καινούργια περόνη (5) κάθε φορά που τοποθετείται. (Εικ. 15)

ΠΡΟΕΙΔΟΠΟΙΗΣΗ

Πριν τη λειτουργία σιγουρευτείτε ότι η λεπίδα έχει τοποθετηθεί σωστά.

ΠΡΟΕΙΔΟΠΟΙΗΣΗ

Εάν η συσκευή σας είναι εφοδιασμένη με προστατευτικό κάλυμμα κάτω από τη λεπίδα κοπής, ελέγξτε εάν υπάρχει φθορά ή ραγίσματα πριν από τη χρήση. Εάν βρεθεί οποιαδήποτε ζημιά ή φθορά, αντικαταστήστε το, επειδή είναι αναλώσιμο είδος.

Εγκατάσταση ημι-αυτόματης κεφαλής κοπής

ΣΗΜΕΙΩΣΗ!

Για την εγκατάσταση δείτε το Εγχειρίδιο ιδιοκτήτη, που παρέχεται μαζί με τη κεφαλή κοπής.

⚠️ ΠΡΟΕΙΔΟΠΟΙΗΣΗ!

Για εξαιρετική απόδοση και αξιοπιστία, πάντα να χρησιμοποιείτε την νότιο γραμμή κοπής της Tanaka. Ποτέ μη χρησιμοποιείτε καλώδιο ή άλλα υλικά τα οποία μπορούν να είναι επικίνδυνο να εκτοξευτούν.

Εγκατάσταση κεφαλής κοπής Brain

ΣΗΜΕΙΩΣΗ

Για την εγκατάσταση συμβουλευτείτε το Εγχειρίδιο ιδιοκτήτη Brain, που παρέχεται μαζί με την κεφαλή κοπής Brain.

⚠️ ΠΡΟΕΙΔΟΠΟΙΗΣΗ

Για τις κεφαλές Tanaka Brain ή για τις κεφαλές Tanaka από κράμα, χρησιμοποιείστε μόνο την εύκαμπτη, μη μεταλλική σειρά που συστήνεται από τον κατασκευαστή. Ποτέ μη χρησιμοποιείτε σύρμα ή συρμάτινα σχοινιά. Μπορεί να κοπούν και να αποτελέσουν κίνδυνο εάν εκτοξευθούν.

ΣΗΜΕΙΩΣΗ

Όταν χρησιμοποιείτε κεφαλή Tanaka από κράμα (CH-100), το αρχικό μήκος της γραμμής κοπής πρέπει να είναι περίπου 17 εκ. το καθένα. (Εικ. 16)

Διαδικασία λειτουργίας

Καύσιμο (Εικ. 17)

⚠️ ΠΡΟΕΙΔΟΠΟΙΗΣΗ

- Ο κόφτης είναι εφοδιασμένος με δίχρονο κινητήρα. Πάντοτε να λειτουργείτε τον κινητήρα με καύσιμο που είναι αναμιγμένο με λάδι.
- Να παρέχετε επαρκή αερισμό, κατά την παροχή καυσίμου ή το χειρισμό καυσίμου.
- Το καύσιμο περιέχει εύφλεκτα υγρά και είναι δυνατόν να τραυματιστείτε βραχιά όταν το εισπνέετε ή το ρίξετε πάνω στο σώμα σας. Προσέχετε πάντα κατά το χειρισμό του καυσίμου. Πάντοτε να παρέχετε καλό αερισμό κατά τον χειρισμό του καυσίμου μέσα στο κτίριο.

Καύσιμο

- Πάντοτε να χρησιμοποιείτε επώνυμη αμόλυβδη βενζίνη 89 οκτανίων.
- Χρησιμοποιείτε αυθεντικό δίχρονο λάδι ή ένα μίγμα μεταξύ 25:1 έως 50:1, παρακαλούμε να συμβουλευτείτε τη φιάλη λαδιού ή τον εμπορικό αντιπρόσωπο της Tanaka για την αναλογία.
- μόνο για την πολιτεία της Καλιφόρνια σε αναλογία 50:1.
- Εάν δεν είναι διαθέσιμο το αυθεντικό λάδι, χρησιμοποιείτε ένα λάδι ποιότητας αντι-οξειδωτικού προσθέτου με ρητή επισήμανση χρήσης για αερόψυκτους δίχρονους κινητήρες (JASO FC GRADE OIL ή ISO EGC GRADE). Μην χρησιμοποιείτε BIA ή TCW (για υδροψυκτους δίχρονους κινητήρες) ανάμικτο λάδι.
- Ποτέ μην χρησιμοποιείτε λάδι μεταβλητής ρευστότητας (10 W/30) ή χρησιμοποιημένο λάδι.
- Πάντοτε να αναμιγνύετε το καύσιμο και το λάδι σε ένα ξεχωριστό καθαρό δοχείο.

Ξεκινάτε πάντοτε με τη μισή ποσότητα του λαδιού που είναι να χρησιμοποιηθεί.

Μετά συμπληρώστε την πλήρη ποσότητα λαδιού. Αναμίξτε (ανακινήστε) το μίγμα καυσίμου. Προσθέστε την υπόλοιπη ποσότητα λαδιού.

Αναμίξτε (ανακινήστε) το μίγμα καυσίμου πριν το βάλετε στη δεξαμενή καυσίμου.

Ανάμιξη ποσότητας δίχρονου πετρελαίου και βενζίνης

Βενζίνη (Λίτρα)	Δίχρονο λάδι (ml)	
	Αναλογία 50:1	Αναλογία 25:1
0.5	10	20
1	20	40
2	40	80
4	80	160

Παροχή καυσίμου

⚠️ ΠΡΟΕΙΔΟΠΟΙΗΣΗ

- Πάντοτε να σβήνετε τον κινητήρα πριν από τον ανεφοδιασμό καυσίμου.
- Ανοίξτε αργά τη δεξαμενή καυσίμου, όταν την ανεφοδιάζετε με καύσιμο, έτσι ώστε να εξαφανιστεί μια πιθανή υπερπίεση.
- Μετά τον ανεφοδιασμό σφίξτε προσεκτικά το καπάκι καυσίμου.
- Πάντα να μετακινείτε τη συσκευή 3 μ από την περιοχή ανεφοδιασμού πριν να τη θέσετε σε λειτουργία.
- Πλένετε πάντα με σαπούνι οποιοδήποτε καύσιμο που έπεσε πάνω στα ρούχα σας.
- Βεβαιωθείτε ότι ελέγχετε οποιαδήποτε διαρροή καυσίμου μετά τον ανεφοδιασμό.

Πριν τον ανεφοδιασμό, καθαρίστε καλά το καπάκι της δεξαμενής για να εξασφαλίσετε ότι δεν θα πέσουν βρωμιές στη δεξαμενή. Εξασφαλίστε ότι το καύσιμο είναι καλά αναμιγμένο, κουνώντας το δοχείο, πριν την παροχή καυσίμου.

Ξεκινώντας (Εικ. 18, 19, 20, 21)

ΠΡΟΕΙΔΟΠΟΙΗΣΗ

Πριν την εκκίνηση, σιγουρευτείτε ότι το εξάρτημα κοπής δεν ακουμπάει κατά.

1. Τοποθετείτε το διακόπτη ανάφλεξης (1) στη θέση ON. (Εικ. 18, 19)
 - * Σπρώξτε το βολβό αρχικής πλήρωσης καυσίμου (4) μερικές φορές έτσι ώστε το καύσιμο να τρέξει μέσω του σωλήνα επιστροφής (5) (Εάν παρέχεται) (Εικ. 20).
2. Με την ασφάλεια της σκανδάλης του γκαζιού (2) πατημένη (αν παρέχεται), πατήστε τη σκανδάλη του γκαζιού και σπρώξτε το κλείδωμα της σκανδάλης του γκαζιού (3), στη συνέχεια αφήστε σιγά-σιγά τη σκανδάλη του γκαζιού και μετά την ασφάλεια της σκανδάλης του γκαζιού. Η ενέργεια αυτή θα κλειδώσει το γκάτζι στη θέση εκκίνησης. (Εικ. 18, 19)
3. Ρυθμίστε το μοχλό τσοκ στη θέση CLOSED (κλειστό) (4). (Εικ. 21)
4. Τραβήξτε απότομα τον εκκινητήρα ανατύλιξης, προσέχοντας να κρατήσετε το χερούλι και να μην το αφήσετε να γυρίσει πίσω.
5. Όταν ακούτε τον κινητήρα να προσπαθεί να ξεκινήσει, τοποθετήστε το μοχλό τσοκ πίσω στη θέση λειτουργία RUN (ανοιχτό). Έπειτα τραβήξτε ξανά τον εκκινητήρα ανατύλιξης απότομα.

ΣΗΜΕΙΩΣΗ

Αν ο κινητήρας δεν ξεκινά, επαναλάβετε τα βήματα από το 2 έως το 5.

6. Μετά την εκκίνηση του κινητήρα, τραβήξτε τη σκανδάλη γκαζιού για να ελευθερωθεί η ασφάλεια γκαζιού. Έπειτα αφήστε τον κινητήρα να ξεσταθεί για 2-3 λεπτά πριν τη χρήση οποιουδήποτε φορτίου.

Κοπή (Εικ. 22, 23, 24, 25)

- Κατά την κοπή, να λειτουργείτε τον κινητήρα με πάνω από 6500 στροφές το λεπτό. Παρατεταμένη λειτουργία σε χαμηλές στροφές το λεπτό μπορεί να προκαλέσει πρόωρη φθορά του συμπλέκτη.
- Κόψτε το γρασίδι από τα δεξιά προς τα αριστερά.
- Μπορεί να παρουσιαστεί προωστική ισχύς λεπίδας όταν η περιστρεφόμενη λεπίδα έρθει σε επαφή με ένα στερεό αντικείμενο στην κρίσιμη επιφάνεια. Μπορεί να προκληθεί μια επικίνδυνη αντίδραση έχοντας ως αποτέλεσμα τη βίαιη εξακόντιση ολόκληρης της συσκευής και του χειριστή της. Αυτό το φαινόμενο

ονομάζεται προσωπική ισχύς λεπίδας. Ως αποτέλεσμα, ο χειριστής μπορεί να χάσει τον έλεγχο της συσκευής κάτι το οποίο μπορεί να προκαλέσει σοβαρό ή θανατηφόρο τραυματισμό. Η προσωπική ισχύς της λεπίδας είναι πιθανότερο να εμφανιστεί σε περιοχές όπου είναι δύσκολο να δει κάποιος το υλικό προς κοπή.

- Φοράτε το λουρί όπως φαίνεται στην εικόνα (εάν παρέχεται). Η λεπίδα περιστρέφεται αντίθετα από τη φορά του ρολογιού, έτσι, σας συμβουλευόμαστε να χειρίζεστε τη συσκευή από τα δεξιά προς τα αριστερά για αποτελεσματική κοπή. Κρατείστε τα άτομα που παρακολουθούν σε απόσταση το λιγότερο 15 μ. από το χώρο εργασίας.

ΣΗΜΕΙΩΣΗ

Πιέστε το κουμπί γρήγορης απελευθέρωσης ή τραβήξτε το πτερόνιο απελευθέρωσης έκτακτης ανάγκης (εάν παρέχεται) σε περίπτωση έκτακτης ανάγκης. (Εικ. 24)

⚠ ΠΡΟΕΙΔΟΠΟΙΗΣΗ

Εάν το εξάρτημα κοπής χτυπήσει πάνω σε πέτρες ή άλλα θραύσματα, σταματήστε τον κινητήρα και σιγουρευτείτε ότι το εξάρτημα και τα σχετικά τμήματα είναι άθικτα. Όταν γρασίδι ή φύλλα τυλιχτούν γύρω από το εξάρτημα, σταματήστε τον κινητήρα και αφαιρέστε τα.

Σταμάτημα (Εικ. 26)

Ελλατώστε την ταχύτητα του κινητήρα και λειτουργήστε τη συσκευή στο ρελαντί για μερικά λεπτά, έπειτα κλείστε το διακόπτη ανάφλεξης.

⚠ ΠΡΟΕΙΔΟΠΟΙΗΣΗ

Ένα εξάρτημα κοπής μπορεί να προκαλέσει τραυματισμό καθώς συνεχίζει να περιστρέφεται αφού σταματήσει ο κινητήρας ή ελευθερωθεί ο έλεγχος λειτουργίας. Όταν η συσκευή είναι κλειστή, βεβαιωθείτε ότι το εξάρτημα κοπής έχει σταματήσει να λειτουργεί πριν τοποθετήσετε τη συσκευή κάτω.

Συντήρηση

Η ΣΥΝΤΗΡΗΣΗ, ΑΝΤΙΚΑΤΑΣΤΑΣΗ Ή Η ΕΠΙΣΚΕΥΗ ΤΩΝ ΣΥΣΚΕΥΩΝ ΕΛΕΓΧΟΥ ΤΩΝ ΚΑΥΣΑΕΡΙΩΝ ΚΑΙ ΤΟΥ ΣΥΣΤΗΜΑΤΟΣ ΜΠΟΡΟΥΝ ΝΑ ΓΙΝΟΥΝ ΑΠΟ ΕΝΑ ΣΥΝΕΡΓΕΙΟ ΕΙΔΙΚΟ ΣΕ ΕΚΤΟΣ ΔΡΟΜΟΥ ΚΙΝΗΤΗΡΕΣ Ή ΑΠΟ ΈΝΑΝ ΤΕΧΝΙΚΟ.

Ρύθμιση του καρμπυρατέρ (Εικ. 27)

⚠ ΠΡΟΕΙΔΟΠΟΙΗΣΗ

Το εξάρτημα κοπής μπορεί να περιστρέφεται κατά τη διάρκεια των ρυθμίσεων του καρμπυρατέρ.

⚠ ΠΡΟΕΙΔΟΠΟΙΗΣΗ

Ποτέ μην εκκινείτε τον κινητήρα χωρίς να έχετε συναρμολογήσει πλήρως το κάλυμμα του συμπλεκτή και το σωλήνα! Διαφορετικά ο συμπλεκτής μπορεί να λασκάρει και να προκαλέσει τραυματισμό. Στο καρμπυρατέρ, το καύσιμο ανακατεύεται με αέρα. Κατά τη δοκιμή του κινητήρα στο εργοστάσιο, το καρμπυρατέρ είναι ρυθμισμένο. Μια πρόσθετη ρύθμιση μπορεί να απαιτηθεί, σύμφωνα με το κλίμα και το υψόμετρο. Το καρμπυρατέρ έχει μια δυνατότητα ρύθμισης. **T = Βίδα ρύθμισης ταχύτητας ρελαντί.**

Ρύθμιση ταχύτητας ρελαντί (T)

Ελέγξτε ότι το φίλτρο του αέρα είναι καθαρό. Όταν η ταχύτητα του ρελαντί είναι σωστή, το εξάρτημα κοπής

δεν θα περιστρέφεται. Αν απαιτείται ρύθμιση, κλείστε (δεξιόστροφα) την T-βίδα, με τον κινητήρα σε λειτουργία, μέχρι το εξάρτημα κοπής να αρχίσει να περιστρέφεται. Ξεβιδώστε (αριστερόστροφα) τη βίδα μέχρι να σταματήσει το εξάρτημα κοπής. Η σωστή ταχύτητα του ρελαντί έχει επιτευχθεί όταν ο κινητήρας δουλεύει ομαλά σε όλες τις θέσεις, πολύ πιο κάτω από τις στροφές ανά λεπτό που έχει όταν το εξάρτημα κοπής αρχίζει να περιστρέφεται. Αν το εξάρτημα κοπής περιστρέφεται ακόμα μετά τη ρύθμιση ταχύτητας του ρελαντί, επικοινωνήστε με τον εμπορικό αντιπρόσωπο της Tanaka.

ΣΗΜΕΙΩΣΗ

Οι κανονικές στροφές ανά ώρα σε λειτουργία ρελαντί είναι 2,500~3,000 στροφές ανά ώρα.

ΣΗΜΕΙΩΣΗ

Μερικά μοντέλα που πωλούνται σε περιοχές με αυστηρούς νόμους εκπομπής καυσαερίων δεν διαθέτουν τις ρυθμίσεις για υψηλή και χαμηλή ταχύτητα. Τέτοιες ρυθμίσεις μπορεί να επιτρέψουν τη λειτουργία του κινητήρα έξω από το επιτρεπόμενο όριο εκπομπής καυσαερίων. Για αυτά τα μοντέλα, η μόνη ρύθμιση που καρμπυρατέρ είναι η ρύθμιση της ταχύτητας του ρελαντί.

Για μοντέλα εξοπλισμένα με ρυθμίσεις χαμηλής και υψηλής ταχύτητας, τα καρμπυρατέρ είναι προρυθμισμένα από το εργοστάσιο. Δευτερεύουσες ρυθμίσεις μπορεί να βελτιστοποιήσουν την απόδοση με βάση το κλίμα, το υψόμετρο κτλ. Ποτέ μη περιστρέψετε τις ρυθμιστικές βίδες κατά διαστήματα μεγαλύτερα των 90°, καθώς μπορεί να προκληθεί βλάβη στον κινητήρα λόγω λανθασμένης ρύθμισης. Εάν δεν είστε εξοικειωμένοι με τον τύπο ρύθμισης ζητήστε βοήθεια από τον εμπορικό αντιπρόσωπο της Tanaka.

⚠ ΠΡΟΕΙΔΟΠΟΙΗΣΗ

Όταν ο κινητήρας βρίσκεται σε ρελαντί, το εξάρτημα κοπής δεν πρέπει σε καμία περίπτωση να περιστρέφεται.

Φίλτρο αέρα (Εικ. 28)

Το φίλτρο αέρα πρέπει να είναι καθαρό από σκόνη και βρωμιά για την αποφυγή:

- Δυσλειτουργίας καρμπυρατέρ
- Προβλημάτων εκκίνησης
- Μείωσης δύναμης του κινητήρα
- Περιττής φθοράς των μερών του κινητήρα
- Μη κανονικής κατανάλωσης καυσίμου

Καθαρίζετε το φίλτρο αέρα καθημερινά ή συχνότερα όταν εργάζεστε σε περιοχές με υπερβολική σκόνη.

Καθαρισμός του φίλτρου αέρα

Αφαιρέστε το κάλυμμα του φίλτρου αέρα και το φίλτρο (1). Ξεπλένετε με ζεστό σαπουνόνερο. Ελέγξτε ότι το φίλτρο είναι καθαρό πριν την επανασυναρμολόγηση. Ένα φίλτρο αέρα που έχει χρησιμοποιηθεί για κάποιο διάστημα, δεν μπορεί να καθαριστεί πλήρως. Επομένως, πρέπει να αντικαθίσταται τακτικά με ένα νέο. Ένα καταστραμμένο φίλτρο πρέπει να αντικαθίσταται.

Φίλτρο καυσίμου (Εικ. 29)

Αδειάστε όλο το καύσιμο από τη δεξαμενή καυσίμου και αφαιρέστε το φίλτρο καυσίμου από τη δεξαμενή. Τραβήξτε τα στοιχεία του φίλτρου έξω από το στήριγμα και ξεπλύνετε το φίλτρο με ζεστό νερό και απορρυπαντικό. Ξεπλύνετε καλά μέχρι να ξεβγαθεί όλο το απορρυπαντικό. Πιέστε, μην σύψετε, το παραπανίσιο νερό και αφήστε το

φίλτρο να στεγνώσει με τον αέρα.

ΣΗΜΕΙΩΣΗ

Εάν το φίλτρο είναι σκληρό εξαιτίας υπερβολικής βρωμιάς, αντικαταστήστε το.

Μπουζί (Εικ. 30)

Η κατάσταση του μπουζί επηρεάζεται από:

- Λανθασμένη ρύθμιση του καρμπυρατέρ
 - Λανθασμένο μίγμα καυσίμου (παραπάνω από την κανονική ποσότητα λαδιού στη βενζίνη)
 - Βρώμικο φίλτρο αέρα
 - Δύσκολες συνθήκες λειτουργίας (όπως ψυχρός καιρός)
- Αυτοί οι παράγοντες δημιουργούν επικαθήσεις στα ηλεκτρόδια του μπουζί και μπορεί να προκαλέσουν δυσλειτουργία και δυσκολίες εκκίνησης. Αν ο κινητήρας έχει μικρή ισχύ, δυσκολεύεται να ξεκινήσει ή δεν λειτουργεί σωστά στην ταχύτητα του ρελαντί, πάντοτε ελέγχετε πρώτα το μπουζί. Αν το μπουζί είναι βρώμικο, καθαρίστε το και ελέγξτε το κενό των ηλεκτροδίων. Επαναρυθμίστε εάν είναι απαραίτητο. Το σωστό κενό είναι 0,6 χιλ. Το μπουζί πρέπει να αντικατασταθεί μετά από περίπου 100 ώρες λειτουργίας ή νωρίτερα εάν τα ηλεκτρόδια είναι πολύ φθαρμένα.

ΣΗΜΕΙΩΣΗ

Σε ορισμένες περιοχές οι τοπικές διατάξεις απαιτούν τη χρήση ενός μπουζί αντίστασης για την καταστολή των σημάτων ανάφλεξης. Αν αυτό το μηχάνημα ήταν αρχικά εφοδιασμένο με μπουζί αντίστασης, χρησιμοποιείστε τον ίδιο τύπο μπουζί κατά την αντικατάσταση.

Γωνιακή μετάδοση (Εικ. 31)

Ελέγξτε τη γωνιακή μετάδοση ή το γωνιακό γρανάζι για το επίπεδο του γράσου κάθε 50 ώρες λειτουργίας αφαιρώντας το βύσμα πλήρωσης του γράσου στην πλευρά της γωνιακής μετάδοσης.

Εάν δεν υπάρχει γράσο στο πλαίσια των ταχυτήτων, γεμίστε τη μετάδοση με ένα γενικής χρήσης, καλής ποιότητας γράσο βασισμένο στο λίθιο μέχρι τα 3/4. Μην γεμίζετε εντελώς τη μετάδοση.

Λεπίδα (Εικ. 32)

⚠ ΠΡΟΕΙΔΟΠΟΙΗΣΗ

Φοράτε προστατευτικά γάντια κατά το χειρισμό ή τη συντήρηση της λεπίδας.

- Χρησιμοποιείτε αιχμηρή λεπίδα. Μια στομωμένη λάμα είναι πιο πιθανό να ραγίσει και να κλωστήσει. Αντικαταστήστε το παξιμάδι σύσφιξης εάν είναι φθαρμένο και δύσκολο να σφίξει.
- Όταν αντικαθιστάτε τη λεπίδα, αγοράστε μια η οποία συνιστάται από την Tanaka, με τρύπα στερέωσης 25,4 χιλ. (μία ίντσα).
- Όταν τοποθετείτε μια πριονωτή λάμα (2), πάντα να τοποθετείτε τη σφραγισμένη πλευρά προς τα επάνω. Στην περίπτωση λεπίδας 3 ή 4 δοντιών (1), αυτή μπορεί να χρησιμοποιηθεί και από τις δύο πλευρές.
- Χρησιμοποιήστε τη σωστή λεπίδα ανάλογα με το είδος της εργασίας.
- Όταν αντικαθιστάτε τις λεπίδες, να χρησιμοποιείτε τα κατάλληλα εργαλεία.
- Όταν οι άκρες κοπής στομώσουν, ακονίστε τις ξανά ή λιμάρετε τις όπως φαίνεται στην εικόνα. Το λανθασμένο ακόνισμα μπορεί να προκαλέσει υπερβολική δόνηση.
- Πετάξτε τις λεπίδες που παρουσιάζουν κάμψη, στρέβλωση, ράγισμα, σπάσιμο ή έχουν με οποιοδήποτε

τρόπο φθαρεί.

ΣΗΜΕΙΩΣΗ

Όταν ακονίζετε τη λεπίδα είναι σημαντικό να διατηρήσετε την αρχική μορφή της ακτίνας στη βάση του δοντιού για την αποφυγή του ραγίσματος.

Πρόγραμμα συντήρησης

Παρακάτω θα βρείτε ορισμένες γενικές οδηγίες συντήρησης. Για περισσότερες πληροφορίες απευθυνθείτε σε έναν εμπορικό αντιπρόσωπο της Tanaka.

Ημερήσια συντήρηση

- Καθαρίστε το εξωτερικό της συσκευής.
- Ελέγξτε ότι το λουρί δεν έχει φθαρεί.
- Ελέγξτε τον προφυλακτήρα της λεπίδας για ζημιά ή ραγίσματα. Αντικαταστήστε τον προφυλακτήρα σε περίπτωση χτυπήματος ή ραγίσματος.
- Ελέγξτε ότι το εξάρτημα κοπής είναι κατάλληλα κεντραρισμένο, αιχμηρό και χωρίς ραγίσματα. Ένα μη κεντραρισμένο εξάρτημα κοπής προκαλεί ισχυρές δονήσεις που μπορούν να βλάψουν τη συσκευή.
- Ελέγξτε ότι το παξιμάδι του εξαρτήματος κοπής είναι επαρκώς σφιγμένο.
- Βεβαιωθείτε ότι ο προφυλακτήρας μεταφοράς της αλυσίδας δεν έχει ζημιά και μπορεί να στερεωθεί με ασφάλεια.
- Ελέγξτε ότι τα παξιμάδια και οι βίδες είναι επαρκώς σφιγμένα.

Εβδομαδιαία συντήρηση

- Ελέγξτε τον εκκινητήρα, ειδικά το σκονί.
- Καθαρίστε το εξωτερικό μπουζί.
- Αφαιρέστε το μπουζί και ελέγξτε το κενό του ηλεκτροδίου. Ρυθμίστε το στα 0,6 χιλ ή αλλάξτε το μπουζί.
- Βεβαιωθείτε ότι δεν εμποδίζεται η εισαγωγή αέρα στον εκκινητήρα.
- Ελέγξτε ότι το γωνιακό γρανάζι είναι γεμάτο με γράσο μέχρι τα 3/4.
- Καθαρίστε το φίλτρο αέρα.

Μηνιαία συντήρηση

- Ξεπλύντε τη δεξαμενή καυσίμου με βενζίνη και καθαρίστε το φίλτρο καυσίμου.
- Καθαρίστε το εξωτερικό του καρμπυρατέρ και το χώρο γύρω από αυτό.

Τριμηνιαία συντήρηση

- Να καθαρίζετε τα περυσία ψύξης στον κύλινδρο.
- Καθαρίστε τον ανεμιστήρα και το χώρο γύρω από αυτό.
- Καθαρίστε το αγκαστήρα από τη μούτζουρα.


ΠΡΟΕΙΔΟΠΟΙΗΣΗ

Ο καθαρισμός των πτερυγίων των κυλίνδρων, του ανεμιστήρα και του αγκαστήρα πρέπει να γίνεται μόνο από ένα αντιπρόσωπο του σέρβις εξουσιοδοτημένο από την Tanaka.

Παγίδα σπινθήρων

Εάν η συσκευή σας είναι φοδιασμένη με μια παγίδα σπινθήρων και ο νόμος στην περιοχή σας απαιτεί τη χρήση παγίδας σπινθήρων για την αποφυγή της πιθανής πυρκαγιάς, παρακαλώ συνδέστε την στο αγκαστήρα μετακινώντας το προστατευτικό του αγκαστήρα και τα άλλα σχετικά εξαρτήματα. (Η παγίδα σπινθήρων είναι varmoniosμένη μ τις οδηγίες SAE J335-SEP90 και CSA CAN3-Z62. 1-M77)

MEMO

<p>GB</p> <p>EC DECLARATION OF CONFORMITY (Applies to Europe only) We declare under our sole responsibility that this product is in conformity with Directive 2006/42/EC, 2004/108/EC and 2000/14/EC. The following standards have been taken into consideration. EN ISO 12100, EN ISO 11806-1, CISPR 12 Annex V (2000/14/EC): For information relating to noise emissions, see the chapter specifications. The European Standards Manager at Hitachi Koki Europe Ltd. is authorized to compile the technical file. This declaration is applicable to the product affixed CE marking.</p>	<p>NL</p> <p>ECVERKLARING VAN CONFORMITEIT (Geldt alleen voor Europa) Wij verklaren onder eigen verantwoordelijkheid dat dit product voldoet aan de richtlijn 2006/42/EC, 2004/108/EC en 2000/14/EC. De volgende standaards zijn toegepast. EN ISO 12100, EN ISO 11806-1, CISPR 12 Aanvulling V (2000/14/EC): Voor informatie over de lawaai-emissie wordt u verwezen naar het hoofdstuk met de specificaties. De manager voor Europese normen van Hitachi Koki Europe Ltd. heeft de bevoegdheid tot het samenstellen van het technische bestand. Deze verklaring is van toepassing op producten voorzien van de CEmarkeringen</p>
<p>DE</p> <p>ERKLÄRUNG ZUR KONFORMITÄT MIT CE-REGELN (Gilt nur für Europa) Wir erklären eigenverantwortlich, dass dieses Produkt den Bestimmungen der Richtlinien 2006/42/EG, 2004/108/EG und 2000/14/EG des Europäischen Rates entspricht. Die nachfolgenden Standards wurden in Betracht gezogen. EN ISO 12100, EN ISO 11806-1, CISPR 12 Anhang V (2000/14/EG): Informationen zur Geräuschentwicklung finden Sie im Kapitel Spezifizierungen. Der Manager für europäische Standards bei der Hitachi Koki Europe Ltd. ist zum Verfassen der technischen Datei befugt. Diese Erklärung gilt für Produkte, die die CE-Markierung tragen.</p>	<p>ES</p> <p>DECLARACIÓN DE CONFORMIDAD DE LA CE (De aplicación sólo en Europa) Declaramos bajo nuestra exclusiva responsabilidad que este producto es conforme con las Directivas 2006/42/CE, 2004/108/CE y 2000/14/CE. Se han tenido en consideración las siguientes normas. EN ISO 12100, EN ISO 11806-1, CISPR 12 Anexo V (2000/14/CE): Para más información sobre la emisión de ruidos, consulte la sección de especificaciones. El Jefe de Normas Europeas de Hitachi Koki Europe Ltd. está autorizado para recopilar archivos técnicos. Esta declaración se aplica a los productos con marcas de la CE.</p>
<p>FR</p> <p>DECLARATION DE CONFORMITE CE (Concerne l'Europe uniquement) Nous déclarons sur la foi de notre seule responsabilité que ce produit est conforme aux dispositions des Directives du Conseil de l'Union européenne 2006/42/EC, 2004/108/EC et 2000/14/EC. Les normes suivantes ont été prises en considération. EN ISO 12100, EN ISO 11806-1, CISPR 12 Annexe V (2000/14/EC): Pour les informations relatives aux émissions de bruits, reportez-vous au chapitre Caractéristiques. Le responsable des normes européennes d'Hitachi Koki Europe Ltd. est autorisé à compiler les données techniques. Cette déclaration s'applique aux produits désignés CE.</p>	<p>PT</p> <p>DECLARAÇÃO DE CONFORMIDADE CE (Aplica-se apenas à Europa) Declarámos para os devidos efeitos que este produto cumpre os requisitos das directivas comunitárias 2006/42/CE, 2004/108/CE e 2000/14/CE. As seguintes normas harmonizadas foram aplicadas. EN ISO 12100, EN ISO 11806-1, CISPR 12 Anexo V (2000/14/CE): Para obter mais informações relacionadas com emissões de ruído, consulte as especificações do capítulo. O Gestor de Normas Europeias da Hitachi Koki Europe Ltd. está autorizado a compilar o ficheiro técnico. Esta declaração se aplica aos produtos designados CE.</p>
<p>IT</p> <p>DICHIARAZIONE DI CONFORMITÀ CE (Si applica solo all'Europa) Dichiariamo sotto la nostra esclusiva responsabilità che questo prodotto è conforme alle Direttive del Consiglio 2006/42/CE, 2004/108/CE e 2000/14/CE. Sono stati presi in considerazione i seguenti standard. EN ISO 12100, EN ISO 11806-1, CISPR 12 Allegato V (2000/14/CE): Per informazioni riguardo alle emissioni di rumore, consultare le specifiche del capitolo. Il Responsabile delle Norme Europee di Hitachi Koki Ltd. è autorizzato a compilare la scheda tecnica. Questa dichiarazione è applicabile ai prodotti cui sono applicati marchi CE.</p>	<p>GR</p> <p>ΕΚ ΔΗΛΩΣΗ ΕΝΑΡΜΟΝΙΣΜΟΥ (Εφαρμόζεται μόνο για την Ευρώπη) Δηλώνουμε με αποκλειστική μας ευθύνη ότι αυτό το προϊόν βρίσκεται σε συμμόρφωση με τις οδηγίες του Ευρωπαϊκού Συμβουλίου 2006/42/ΕΚ, 2004/108/ΕΚ και 2000/14/ΕΚ. Τα παρακάτω πρότυπα έχουν ληφθεί υπόψη. EN ISO 12100, EN ISO 11806-1, CISPR 12 Παράρτημα V (2000/14/ΕΚ): Για πληροφορίες σχετικά με την εκπομπή θορύβου, βλέπε τις προδιαγραφές του κεφαλαίου. Ο υπεύθυνος για τα ευρωπαϊκά πρότυπα στην Hitachi Koki Europe Ltd. είναι εξουσιοδοτημένος να συντάσσει τον τεχνικό φάκελο. Αυτή η δήλωση ισχύει στο προϊόν με το σήμαδι CE.</p>
<p>Representative office in Europe Hitachi PowerTools Europe GmbH Siemensring 34, 47877 Willich 1, F. R. Germany</p> <p>Technical file at: Hitachi Koki Europe Ltd. Clonshaugh Business & Technology Park, Dublin 17, Ireland</p> <p>Head office in Japan Hitachi Koki Co., Ltd. Shinagawa Intercity Tower A, 15-1, Konan 2-chome, Minato-ku, Tokyo, Japan</p> <div style="text-align: right;">  <p>31. 12. 2014 <i>A. Yoshida</i> A. Yoshida Vice-President & Director</p> </div>	

 **Hitachi Koki Co., Ltd.**