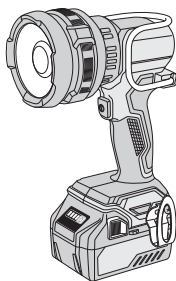


Model
Modèle
Modelo

UB 18DH

Cordless Spotlight
Projecteur Sans Fil
Linterna Inalámbrica



Without charger and battery
Sans chargeur et batterie
Sin cargador y batería

SAFETY INSTRUCTIONS AND INSTRUCTION MANUAL

WARNING

IMPROPER OR UNSAFE use of this spotlight can result in death or serious bodily injury!
This manual contains important information about product safety. Please read and understand this manual **BEFORE** operating the spotlight. Please keep this manual available for other users and owners before they use the spotlight. This manual should be stored in safe place.

INSTRUCTIONS DE SECURITE ET MODE D'EMPLOI

AVERTISSEMENT

Une utilisation **INCORRECTE OU DANGEREUSE** de ce projecteur peut entraîner la mort ou de sérieuses blessures corporelles!
Ce mode d'emploi contient d'importantes informations à propos de la sécurité de ce produit. Veuillez lire et de comprendre ce mode d'emploi **AVANT** d'utiliser le projecteur. Laissez ce mode d'emploi à la disposition des autres utilisateurs et propriétaires avant utilisation du projecteur. Ce mode d'emploi doit être conservé dans un endroit sûr.

INSTRUCCIONES DE SEGURIDAD Y MANUAL DE INSTRUCCIONES

ADVERTENCIA

¡Una utilización **INCORRECTA O INSEGURA** de esta linterna puede provocar la muerte o daños corporales importantes!
Este manual contiene información importante sobre la seguridad del producto. Lea y comprenda este manual **ANTES** de utilizar la linterna. Guarde proporcione este manual a los demás usuarios y propietarios antes de que utilicen esta linterna. Este manual debe almacenarse en un lugar seguro.

IMPORTANT SAFETY INFORMATION

Read and understand all of the safety precautions, warnings and operating instructions in the Instruction Manual before operating or maintaining this spotlight.

Most accidents that result from spotlight operation and maintenance are caused by the failure to observe basic safety rules or precautions. An accident can often be avoided by recognizing a potentially hazardous situation before it occurs, and by observing appropriate safety procedures.

Basic safety precautions are outlined in the "SAFETY" section of this Instruction Manual and in the sections which contain the operation and maintenance instructions.

Hazards that must be avoided to prevent bodily injury or machine damage are identified by WARNINGS on the spotlight and in this Instruction Manual.

NEVER use this spotlight in a manner that has not been specifically recommended by metabo HPT.

MEANINGS OF SIGNAL WORDS

WARNING indicates a potentially hazardous situations which, if ignored, could result in death or serious injury.

CAUTION indicates a potentially hazardous situations which, if not avoided, may result in minor or moderate injury, or may cause machine damage.




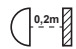
NOTE emphasizes essential information.

MEANINGS OF SYMBOLS

Symbols

WARNING

The following show symbols used for the machine. Be sure that you understand their meaning before use.

	To reduce the risk of injury, user must read instruction manual.	V	volts
			direct currents
	Do not stare at operating lamp.	W	watts
	Keep the light and the object being illuminated at least 0.2 m apart.	ta	ambient temperature

IMPORTANT SAFETY INSTRUCTIONS

When using an electrical appliance, basic precautions should always be followed, including the following:

READ ALL INSTRUCTIONS BEFORE USING (THIS APPLIANCE)

WARNING

To reduce the risk of fire, electric shock, or injury:

1. Do not allow to be used as a toy. Close attention is necessary when used by or near children.
2. Use only as described in this manual. Use only manufacturer's recommended attachments.
3. Do not use spotlight in explosive atmospheres, such as in the presence of flammable or combustible liquids, gasses or dust.
4. Be careful of electrical shock.
5. When not in use or during inspection and maintenance, be sure to turn the switch OFF on the unit, and remove the battery from it.
6. Do not cover the spotlight with cloth, cardboards or other materials when the light is on. Keep the light and the object being illuminated at least 20 cm apart. Failure to observe these warnings may result in fire.
7. When the light is turned on, do not look directly into it, point it at people or animals, or aim it toward the eyes.
8. The lens will remain at a high temperature when lit and immediately after use, so do not touch it.
9. Do not use, leave, or store the spotlight in the rain or in humid places.
10. Do not leave the spotlight in a car or the like that tends to be exposed to be searching heat of the sun (above 122°F (50°C)). Otherwise, troubles can result.
11. Do not leave the spotlight unattended while it is turned on.
12. When placing the spotlight in a high location for use, ensure that the location is stable. Additionally, secure it in place with string, etc. to prevent it from falling. If it falls, it may result in injury or damage.
13. Do not use the spotlight if the lens is damaged or detached.

14. Do not charge the unit outdoors.
15. Use only the charger supplied by the manufacturer to recharge.
16. Do not incinerate the appliance even if it is severely damaged. The batteries can explode in a fire.
17. This product does not have a water-resistant structure.
18. Do not touch the inside of the head with tweezers or other metal objects.

GENERAL SAFETY RULES

SAVE THESE INSTRUCTIONS

- 1) **Work area safety**
 - a) **Keep work area clean.**
Cluttered areas invite accidents.
 - b) **Do not operate spotlight in explosive atmospheres, such as in the presence of flammable liquids, gases or dust.**
- 2) **Electrical safety**
 - a) **Avoid body contact with earthed or grounded surfaces such as pipes, radiators, ranges and refrigerators.**
There is an increased risk of electric shock if your body is earthed or grounded.
 - b) **Do not expose spotlight to wet conditions.**
Water entering a spotlight will increase the risk of electric shock.
- 3) **Personal safety**
 - a) **Stay alert, watch what you are doing and use common sense when use spotlight.**

- 4) **Battery powered spotlight use and care**
- a) **Recharge only with the charger specified by the manufacturer.**
A charger that is suitable for one type of battery pack may create a risk of fire when used with another battery pack.
 - b) **Use spotlight only with specifically designated battery packs.**
Use of any other battery packs may create a risk of injury and fire.
 - c) **When battery pack is not in use, keep it away from other metal objects like paper clips, coins, keys, nails, screws, or other small metal objects that can make a connection from one terminal to another.**
Shorting the battery terminals together may cause burns or a fire.
 - d) **Under abusive conditions, liquid may be ejected from the battery, avoid contact. If contact accidentally occurs, flush with water. If liquid contacts eyes, additionally seek medical help.**
Liquid ejected from the battery may cause irritation or burns.
- 5) **Service**
- a) **Have your spotlight serviced by a qualified repair person using only identical replacement parts.**
This will ensure that the safety of the spotlight is maintained.
 - b) **If appliance is not working as it should, has been dropped, damaged, left outdoors, or dropped into water, return it to a service center.**

SPECIFIC SAFETY RULES

1. **Do not use in locations where inflammable materials such as lacquer, paint, benzene, thinner or gasoline are present.**
Explosion or fires might result.
 2. **Do not use near objects generating high heat.**
Fires might occur if used near such locations.
 3. **If you notice that the unit is generating unusually high temperatures, operating poorly, or making abnormal noises, immediately stop using and shut off the power switch. Request an inspection and repair from the dealer where you purchased the unit or a metabo HPT Authorized Service Center.**
4. **If the unit is mistakenly dropped or strikes another object, make a thorough check of the unit for cracks, breakage or deformation, etc.**
Injuries might occur if the unit has cracks, breakage or deformation.
 5. **Precautions during transport**
 - **Turn the switch off on the tool and remove the battery.**
 - **Carry the tool by the handle on its body.**
 - **When transporting it via vehicle, take appropriate steps to prevent it from falling over or being damaged.**
 6. **NEVER use a spotlight for applications other than those specified in the instruction manual.**
 7. **Handle spotlight correctly.**
Operate the spotlight according to the instructions provided herein. Do not drop or throw the spotlight. **NEVER** allow the spotlight to be operated by children, individuals unfamiliar with its operation or unauthorized personnel.
 8. **Keep all screws, bolts and covers tightly in place.**
Keep all screws, bolts, and plates tightly mounted. Check their condition periodically.
 9. **Do not wipe plastic parts with solvent.**
Solvents such as gasoline, thinner benzene, carbon tetrachloride, and alcohol may damage and crack plastic parts. Do not wipe them with such solvents.
Wipe plastic parts with a soft cloth lightly dampened with soapy water and dry thoroughly.
 10. **Do not use the product if the tool or the battery terminals (battery mount) are deformed.**
Installing the battery could cause a short circuit that could result in smoke emission or ignition.
 11. **Keep the tool's terminals (battery mount) free of swarf and dust.**
 - Prior to use, make sure that swarf and dust have not collected in the area of the terminals.
 - During use, try to avoid swarf or dust on the tool from falling on the battery.
 - When suspending operation or after use, do not leave the tool in an area where it may be exposed to falling swarf or dust.
Doing so could cause a short circuit that could result in smoke emission or ignition.

IMPORTANT SAFETY INSTRUCTIONS FOR BATTERY CHARGER

WARNING

Death or serious bodily injury could result from improper or unsafe use of battery chargers. To avoid these risks, follow these basic safety instructions:

READ ALL INSTRUCTIONS

1. This manual contains important safety and operating instructions for battery charger Model UC18YFSL.
2. Before using battery charger, read all instructions and cautionary markings on (1) battery charger, (2) battery, and (3) product using battery.
3. To reduce risk of injury, charge metabo HPT rechargeable battery models of the multi volt series and the BSL18 series. Other models of batteries may burst causing personal injury and damage.

4. Use of an attachment not recommended or sold by the battery charger manufacturer may result in a risk of fire, electric shock, or injury to persons.
5. To reduce risk of damage to electric plug and cord, pull by plug when disconnecting battery charger.
6. Make sure cord is located so that it will not be stepped on, tripped over, or otherwise subjected to damage or stress.
7. An extension cord should not be used unless absolutely necessary. Use of improper extension cord could result in a risk of fire and electric shock.

If extension cord must be used make sure:

- a. That blades of extension cord are the same number, size, and shape as those of plug on battery charger:
- b. That extension cord is properly wired and in good electrical condition; and
- c. That wire size is large enough for AC ampere rating of battery charger as specified in Table 1.

Table 1

RECOMMENDED MINIMUM AWG SIZE FOR EXTENSION CORDS FOR BATTERY CHARGERS

AC Input Rating Amperes*		AWG Size of Cord			
Equal to or greater than	but less than	Length of Cord, Feet (Meter)			
		25 (7.5)	50 (15)	100 (30)	150 (45)
0	2	18	18	18	16
2	3	18	18	16	14
3	4	18	18	16	14

- * If the input rating of a battery charger is given in watts rather than in amperes, the corresponding ampere rating is to be determined by dividing the wattage rating by the voltage rating—for example:

$$\frac{1,250 \text{ watts}}{125 \text{ volts}} = 10 \text{ amperes}$$

8. Do not operate battery charger with damaged cord or plug—replace them immediately.

9. Do not operate battery charger if it has received a sharp blow, been dropped, or otherwise damaged in any way; take it to a qualified serviceman.
10. Do not disassemble battery charger; take it to a qualified serviceman when service or repair is required. Incorrect reassembly may result in a risk of electric shock or fire.
11. To reduce risk of electric shock, unplug charger from receptacle before attempting any maintenance or cleaning. Removing the battery will not reduce this risk.

IMPORTANT SAFETY INSTRUCTIONS FOR USE OF THE BATTERY AND BATTERY CHARGER

You must charge the battery before you can use the tool. Before using the model UC18YFSL battery charger, be sure to read all instructions and cautionary statements on it, the battery and in this manual.

CAUTION

USE ONLY metabo HPT BATTERY MODELS OF THE MULTI VOLT SERIES AND THE BSL18 SERIES. OTHER MODELS OF BATTERIES MAY BURST AND CAUSE INJURY!

Follow these instructions to avoid the risk of injury:

WARNING

Improper use of the battery or battery charger can lead to serious injury. To avoid these injuries:

1. **NEVER** disassemble the battery.
2. **NEVER** incinerate the battery, even if it is damaged or is completely worn out. The battery can explode in a fire.
3. **NEVER** short-circuit the battery.
4. **NEVER** insert any objects into the battery charger's air vents. Electric shock or damage to the battery charger may result.
5. **NEVER** charge outdoors. Keep the battery away from direct sunlight and use only where there is low humidity and good ventilation.
6. **NEVER** charge when the temperature is below 32°F (0°C) or above 104°F (40°C).
7. **NEVER** connect two battery chargers together.
8. **NEVER** insert foreign objects into the hole for the battery or the battery charger.
9. **NEVER** use a booster transformer when charging.
10. **NEVER** use DC power to charge.
11. **NEVER** store the battery or battery charger in places where the temperature may reach or exceed 104°F (40°C) such as inside metal box or car.
12. **NEVER** expose the battery or battery charger to rain or wet conditions.

13. **ALWAYS** operate charger on standard household electrical power (120 volts). Using the charger on any other voltage may overheat and damage the charger.
14. **ALWAYS** wait at least 15 minutes between charges to avoid overheating the charger.
15. **ALWAYS** disconnect the power cord from its receptacle when the charger is not in use.

CAUTION ON LITHIUM-ION BATTERY

To extend the lifetime, the lithium-ion battery equips with the protection function to stop the output.

In the cases of 1 to 3 described below, when using this product, even if the switch is turned ON, the light may not turn on. This is not the trouble but the result of protection function.

1. When the remaining battery power runs out, the light turns off.
In such case, charge it up immediately.
 2. If the tool is overloaded, the light may turn off. In this case, release the switch of tool and eliminate causes of overloading. After that, you can use it again.
 3. If the battery is overheated under overload work, the battery power may stop.
In this case, stop using the battery and let the battery cool. After that, you can use it again.
- Furthermore, please heed the following warning and caution.

WARNING

In order to prevent any battery leakage, heat generation, smoke emission, explosion and ignition beforehand, please be sure to heed the following precautions.

1. Make sure that swarf and dust do not collect on the battery.
 - During work make sure that swarf and dust do not fall on the battery.
 - Make sure that any swarf and dust falling on the tool during work do not collect on the battery.
 - Do not store an unused battery in a location exposed to swarf and dust.
 - Before storing a battery, remove any swarf and dust that may adhere to it and do not store it together with metal parts (screws, nails, etc.).
2. Do not pierce battery with a sharp object such as a nail, strike with a hammer, step on, throw or subject the battery to severe physical shock.
3. Do not use an apparently damaged or deformed battery.

4. Do not use the battery in reverse polarity.
5. Do not connect directly to an electrical outlets or car cigarette lighter sockets.
6. Do not use the battery for a purpose other than those specified.
7. If the battery charging fails to complete even when a specified recharging time has elapsed, immediately stop further recharging.
8. Do not put or subject the battery to high temperatures or high pressure such as into a microwave oven, dryer, or high pressure container.
9. Keep away from fire immediately when leakage or foul odor are detected.
10. Do not use in a location where strong static electricity generates.
11. If there is battery leakage, foul odor, heat generated, discolored or deformed, or in any way appears abnormal during use, recharging or storage, immediately remove it from the equipment or battery charger, and stop use.
12. Do not immerse the battery or allow any fluids to flow inside. Conductive liquid ingress, such as water, can cause damage resulting in fire or explosion. Store your battery in a cool, dry place, away from combustible and flammable items. Corrosive gas atmospheres must be avoided.

CAUTION

1. If liquid leaking from the battery gets into your eyes, do not rub your eyes and wash them well with fresh clean water such as tap water and contact a doctor immediately.
If left untreated, the liquid may cause eye-problems.
2. If liquid leaks onto your skin or clothes, wash well with clean water such as tap water immediately.
There is a possibility that this can cause skin irritation.
3. If you find rust, foul odor, overheating, discolor, deformation, and/or other irregularities when using the battery for the first time, do not use and return it to your supplier or vendor.

WARNING

If an electrically conductive foreign object enters the terminals of the lithium ion battery, a short-circuit may occur resulting in the risk of fire. Please observe the following matters when storing the battery.

- Do not place electrically conductive cuttings, nails, steel wire, copper wire or other wire in the storage case.
- Either install the battery in the tool or store by securely pressing into the battery cover until the ventilation holes are concealed to prevent short-circuits (See Fig. 3).

REGARDING LITHIUM-ION BATTERY TRANSPORTATION

When transporting a lithium-ion battery, please observe the following precautions.

WARNING

Notify the transporting company that a package contains a lithium-ion battery, inform the company of its power output and follow the instructions of the transportation company when arranging transport.

- Lithium-ion batteries that exceed a power output of 100 Wh are considered to be in the freight classification of Dangerous Goods and will require special application procedures.
- For transportation abroad, you must comply with international law and the rules and regulations of the destination country.

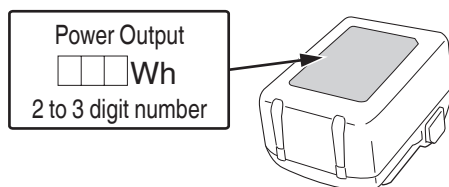


Fig. 1

**SAVE THESE INSTRUCTIONS
AND
MAKE THEM AVAILABLE TO OTHER USERS
AND
OWNERS OF THIS SPOTLIGHT!**

FUNCTIONAL DESCRIPTION

NOTE

The information contained in this Instruction Manual is designed to assist you in the safe operation and maintenance of the spotlight.

NEVER operate, or attempt any maintenance on the spotlight unless you have first read and understood all safety instructions contained in this manual.

Some illustrations in this Instruction Manual may show details or attachments that differ from those on your own spotlight.

NAME OF PARTS

1. Cordless Spotlight (UB18DH)

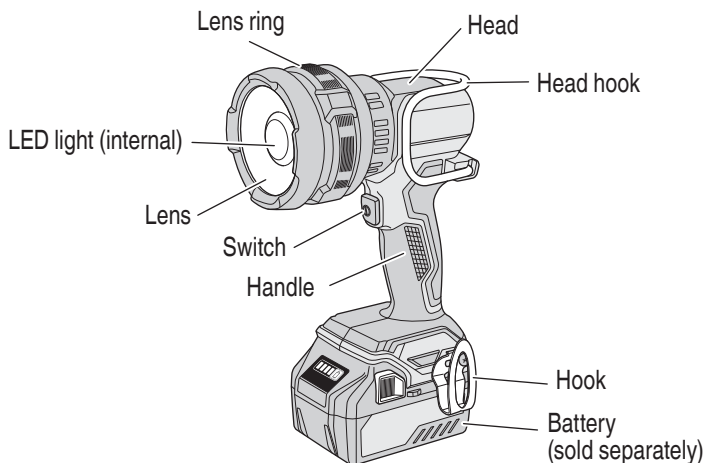
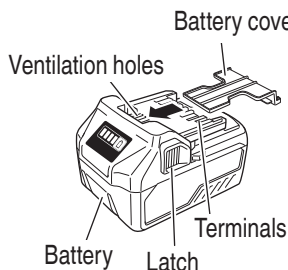


Fig. 2

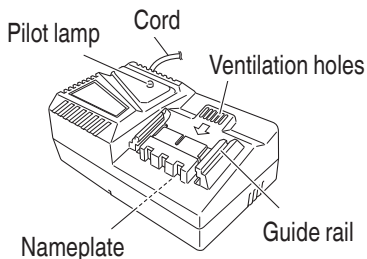
2. Battery
(optional accessories...sold separately)



<BSL36A18>

Fig. 3

3. Battery Charger
(optional accessories...sold separately)



<UC18YFSL>

Fig. 4

SPECIFICATIONS

1. Cordless Spotlight

Model	UB18DH			
Brightness	1,050 lm*1			
LED (white)	10 W			
Operating time, approx. (Using full charged battery)*2		3.0 Ah	5.0 Ah	8.0 Ah
	High	Approx. 4.5 hours	Approx. 8 hours	Approx. 12.5 hours
	Medium	Approx. 7 hours	Approx. 12 hours	Approx. 19 hours
	Low	Approx. 14.5 hours	Approx. 24 hours	Approx. 38.5 hours
	Strobe	Approx. 9.5 hours	Approx. 15.5 hours	Approx. 25 hours
Battery	Type	Li-ion battery Multi volt type, BSL18 series		
	Voltage	DC 18 V		
Weight (without battery)	1.8 lbs. (0.8 kg)			

*1 When in wide mode and set to High

*2 The operating times shown are reference values only.

The actual time varies depending on the type and charging state of the battery, the usage conditions, etc.

2. Battery Charger

Model	UC18YFSL
Input power source	Single phase: AC 120 V 60 Hz
Charging time (At a temperature of 68°F (20°C))	BSL36A18: Approx. 75 min
Charging voltage	DC 14.4–18 V
Charging current	DC 3.5 A
Weight	1.1 lbs. (0.5 kg)

NOTE: The charging time may vary according to temperature and power source voltage.

ASSEMBLY AND OPERATION

APPLICATIONS

Illumination of work site

REMOVAL AND INSTALLATION METHOD OF BATTERY

- How to install the battery.
Always insert it all the way until it locks in place with a little click. (Fig. 5-a).

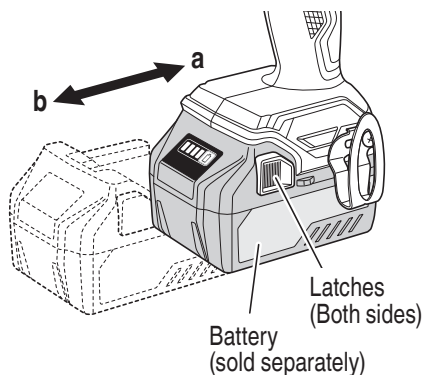


Fig. 5

- How to remove the battery.
While pressing the 2 latches (one on each side), slide it and pull it out. (Fig. 5-b).

NOTE

If any water or dust enters the body of the tool or the terminals of the battery, a failure may occur.

CHARGING METHOD

NOTE

Before plugging into the receptacle, make sure the following points.

- The power source voltage is stated on the nameplate.
- The cord is not damaged.

⚠ WARNING

Do not charge at voltage higher than indicated on the nameplate.
If charged at voltage higher than indicated on the nameplate, the charger will burn out.

1. Connect the charger's power cord to a receptacle. When the power cord is connected, the charge indicator lamp will blink in red. (At 1-second intervals)



⚠ WARNING

Do not use the electrical cord if damaged. Have it repaired immediately.

2. Insert the battery to the battery charger.
Firmly Insert the battery into the battery charger as shown in Fig. 6.

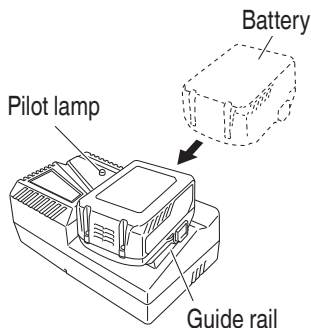







Fig. 6

3. Charging
 When inserting a battery in the charger, the pilot lamp will light up continuously in red.
 When the battery becomes fully recharged, the pilot lamp will blink in red. (At 1- second intervals.) (See Table 2)

- (1) Lamp indication
 The indications of the pilot lamp will be as shown in Table 2, according to the condition of the battery charger or the battery.

Table 2

Indications of the pilot lamp				
Pilot lamp (red)	Before charging	Blinks	Lights for 0.5 seconds. Does not light for 0.5 seconds. (off for 0.5 seconds) 	/
	While charging	Lights	Lights continuously 	
	Charging complete	Blinks	Lights for 0.5 seconds. Does not light for 0.5 seconds. (off for 0.5 seconds) 	
	Overheat standby	Blinks	Lights for 1 second. Does not light for 0.5 seconds. (off for 0.5 seconds) 	Battery overheated. Unable to charge. (Charging will commence when battery cools)
	Charging impossible	Flickers	Lights for 0.1 seconds. Does not light for 0.1 seconds. (off for 0.1 seconds) 	Malfunction in the battery or the charger

- (2) Regarding the temperature of the rechargeable battery.
 The temperatures for rechargeable batteries are as shown in the Table 3, and batteries that have become hot should be cooled for a while before being recharged.

NOTE
 The recharging time may vary according to the ambient temperature.

Table 3

Rechargeable batteries	Temperatures at which the battery can be recharged
BSL36A18	32°F-122°F (0°C-50°C)

4. Disconnect battery charger from the receptacle.

- (3) Regarding recharging time (At 68°F (20°C))

CAUTION
 Do not pull the plug out of the receptacle by pulling on the cord.
 Make sure to grasp the plug when removing from receptacle to avoid damaging cord.

Table 4 Charging time

Battery \ Charger	UC18YFSL
BSL36A18	Approx. 75 min

5. Remove the battery from the battery charger. Supporting the battery charger with hand, pull out the battery from the battery charger.

NOTE
 Be sure to pull out the battery from the battery charger after use, and then keep it.

Regarding electric discharge in case of new batteries, etc.

As the internal chemical substance of new batteries and batteries that have not been used for an extended period is not activated, the electric discharge might be low when using them the first and second time. This is a temporary phenomenon, and normal time required for recharging will be restored by recharging the batteries 2–3 times.

How to make the batteries perform longer

- (1) Recharge the batteries before they become completely exhausted.
When you feel that the power of the tool becomes weaker, stop using the tool and recharge its battery. If you continue to use the tool and exhaust the electric current, the battery may be damaged and its life will become shorter.
- (2) Avoid recharging at high temperatures.
A rechargeable battery will be hot immediately after use. If such a battery is recharged immediately after use, its internal chemical substance will deteriorate, and the battery life will be shortened. Leave the battery and recharge it after it has cooled for a while.

⚠ CAUTION

- When the battery charger has been continuously used, the battery charger will be heated, thus constituting the cause of the failures. Once the charging has been completed, give 15 minutes rest until the next charging.
- If the battery is charged while it is heated because it has been left for a long time in a location subject to direct sunlight or because the battery has just been used, the pilot lamp of the charger lights for 1 second, does not light for 0.5 seconds (off for 0.5 seconds).
The battery will not be recharged. In such a case, let the battery cool before charging.
- When the pilot lamp flickers (at 0.2-second intervals), check for and take out any foreign objects in the charger's battery connector. If there are no foreign objects, it is probable that the battery or charger is malfunctioning. Take it to your authorized Service Center.

HOW TO USE

1. Turning the light on
Press the switch to turn the light on. (Fig. 7)

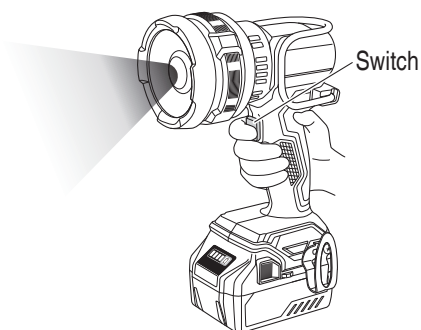


Fig. 7

2. Brightness (High/Medium/Low)
The brightness of the LED can be adjusted between 3 levels. Each time the switch is pressed, the LED switches between "High" → "Medium" → "Low" → "Off".
3. Changing operating mode (spot mode/wide mode)
Change the position of the lens ring to switch the operating mode.
Spot mode is a function that concentrates the light for long-distance illumination. (Fig. 8-a)
Wide mode is a function that spreads the light to broadly illuminate the surroundings. (Fig. 8-b)

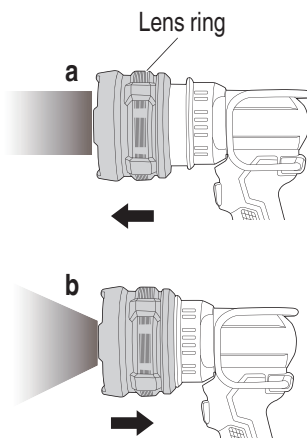


Fig. 8

4. **Strobe mode**
 Press and hold the switch to switch to Strobe Mode (blinking). (Fig. 9)
 When in Strobe Mode, press the switch to turn off the light.
 When in Strobe Mode, press and hold the switch to deactivate Strobe Mode.

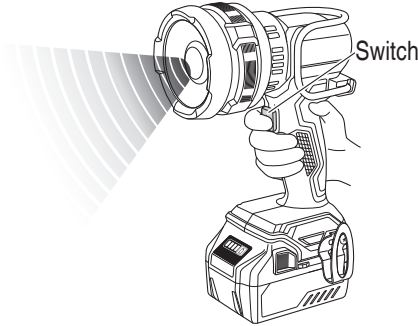


Fig. 9

5. **Low battery notification function**
 While the light is lit, when the remaining battery becomes low and there are 10 minutes or less of light-up time remaining, the LED light repeatedly blinks 3 times once per minute. (Fig. 10)
 When in Strobe Mode, the low battery notification function does not activate.
 The remaining light-up time varies depending on the brightness setting of the light and on the type and condition of the battery, so it is only an estimate.

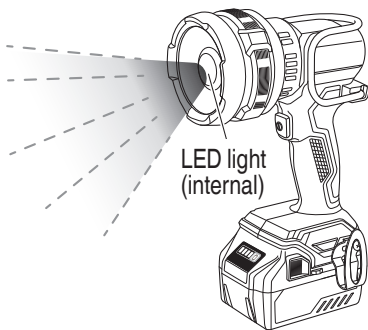


Fig. 10

NOTE

When using a Multi-volt battery, please refer to the indicator lamp on the battery for the battery remaining power.

6. **Changing the angle of the light**
 The vertical angle can be changed 90°. (Fig. 11)

CAUTION

When changing the angle of the head, be careful not to pinch your fingers between the head and handle.

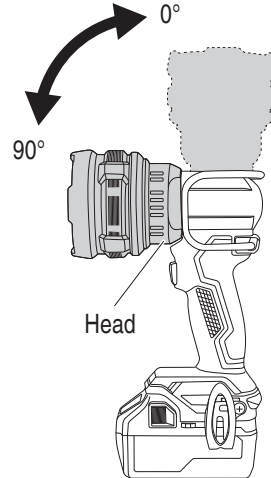


Fig. 11

7. **Hanging the spotlight for use**
 When using the spotlight while it is hung by a hook, hang it from a stable and sturdy object. (Fig. 12)

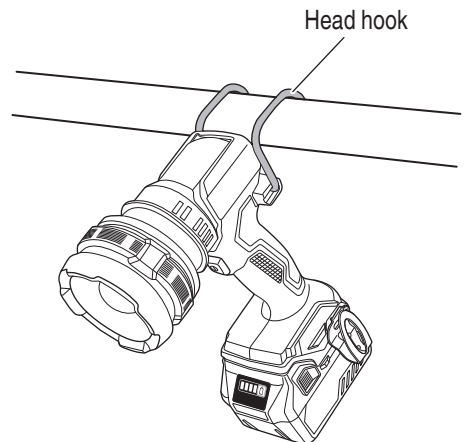


Fig. 12

MAINTENANCE AND INSPECTION

WARNING

When not using the spotlight for a long time, performing maintenance on it, inspecting it, or storing it, be sure to turn OFF the switch and pull out the battery.

1. Check the Screws
Loose screws are dangerous. Regularly inspect them and make sure they are tight.

WARNING

Using this spotlight with loosened screws is extremely dangerous.

2. Check for Dust
Dust may be removed with a soft cloth or a cloth dampened with soapy water. Do not use bleach, chlorine, gasoline or thinner, for they may damage the plastics.
3. Inspection of terminals (tool and battery)
Check to make sure that swarf and dust have not collected on the terminals.
On occasion check prior, during and after operation.

CAUTION

Remove any swarf or dust which may have collected on the terminals.
Failure to do so may result in malfunction.

4. Disposal of the exhausted battery

WARNING

Do not dispose of the exhausted battery. The battery must explode if it is incinerated. The battery is recyclable. At the end of its useful life, under various state and local laws, it may be illegal to dispose of this battery into the municipal waste stream. Check with your local solid waste officials for details in your area for recycling options or proper disposal.

5. Storage
Storing in a place below 104°F (40°C) and out of the reach of children.

NOTE

Storing lithium-ion batteries
Make sure the lithium-ion batteries have been fully charged before storing them.
Prolonged storage (3 months or more) of batteries with a low charge may result in performance deterioration, significantly reducing battery usage time or rendering the batteries incapable of holding a charge.
If the battery usage time is extremely short despite repeated charging and use, consider the batteries dead and purchase new batteries.

6. Service and repairs
All quality spotlight will eventually require servicing or replacement of parts because of wear from normal use. To assure that only authorized replacement parts will be used, all service and repairs must be performed by a metabo HPT AUTHORIZED SERVICE CENTER, ONLY.

CAUTION

In the operation and maintenance of spotlight, the safety regulations and standards prescribed in each country must be observed.

Important notice on the batteries for the metabo HPT cordless power tools

Please always use one of our designated genuine batteries. We cannot guarantee the safety and performance of our cordless power tool when used with batteries other than these designated by us, or when the battery is disassembled and modified (such as disassembly and replacement of cells or other internal parts).

ACCESSORIES

WARNING

ALWAYS use Only authorized metabo HPT replacement parts and accessories. **NEVER** use replacement parts or accessories which are not intended for use with this spotlight. Contact metabo HPT if you are not sure whether it is safe to use a particular replacement part or accessory with your spotlight.

The use of any other attachment or accessory can be dangerous and could cause injury or mechanical damage.

NOTE

Accessories are subject to change without any obligation on the part of the metabo HPT.

STANDARD ACCESSORIES

UB18DH (NN)	Battery, Battery charger and Battery cover are not contained.
----------------	---

OPTIONAL ACCESSORIES.....sold separately

- (1) Battery (BSL1830C / BSL1850C / BSL36A18 / BSL36B18 / BSL36C18)
- (2) Battery charger (UC18YFSL / UC18YKSL / UC18YSL3)
- (3) Battery cover (Code No. 329897)
- (4) Carring belt (Code No. 336558)

NOTE

Specifications are subject to change without any obligaiton on the part of the metabo HPT.

INFORMATIONS IMPORTANTES DE SÉCURITÉ

Veillez lire et comprendre toutes les précautions de sécurité, les avertissements et les instructions de fonctionnement présents dans ce mode d'emploi avant d'utiliser ou d'entretenir ce projecteur.

La plupart des accidents causés lors de l'utilisation ou de l'entretien d'un projecteur proviennent d'un non-respect des règles ou précautions de base de sécurité. Un accident peut la plupart du temps être évité si l'on reconnaît une situation de danger potentiel avant qu'elle ne se produise, et en observant les procédures de sécurité appropriées.

Les précautions de base de sécurité sont mises en évidence dans la section "SECURITE" de ce mode d'emploi et dans les sections qui contiennent les instructions de fonctionnement et d'entretien.

Les dangers qui doivent être évités pour prévenir des blessures corporelles ou un endommagement de la machine sont identifiés par AVERTISSEMENTS sur le projecteur et dans ce mode d'emploi.

N'utilisez **JAMAIS** ce projecteur d'une manière qui n'est pas spécifiquement recommandée par metabo HPT.



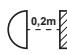
SIGNIFICATION DES MOTS D'AVERTISSEMENT

AVERTISSEMENT indique des situations potentiellement dangereuses qui, si elles sont ignorées, pourraient entraîner la mort ou de sérieuses blessures.

PRECAUTION indique des situations dangereuses potentielles qui, si elles ne sont pas évitées, peuvent entraîner de mineures et légères blessures ou endommager la machine.

REMARQUE met en relief des informations essentielles.

SIGNIFICATION DES SYMBOLES

Symboles			
⚠ AVERTISSEMENT			
Les symboles suivants sont utilisés pour l'outil. Bien se familiariser avec leur signification avant d'utiliser l'outil.			
	Pour réduire tout risque de blessure, l'utilisateur doit lire le mode d'emploi.	V	volts
		≡	courants continus
	Ne regardez pas fixement la lampe allumée.	W	watts
	Gardez la lampe et l'objet éclairé à une distance d'au moins 0,2 m.	ta	Température ambiante

IMPORTANTES INSTRUCTIONS DE SÉCURITÉ

L'utilisation d'un appareil électrique nécessite toujours certaines précautions de base, notamment:

LISEZ TOUTES LES INSTRUCTIONS AVANT UTILISATION (DE CET APPAREIL)

AVERTISSEMENT

Pour réduire le risque d'incendie, de choc électrique ou de blessure:

1. Ne laissez pas les enfants se servir de l'appareil comme d'un jouet. Redoublez d'attention si l'appareil est utilisé par des enfants ou à proximité d'enfants.
2. Utilisez l'appareil uniquement conformément aux instructions du présent manuel. Utilisez uniquement les accessoires recommandés par le fabricant.
3. N'utilisez pas le projecteur dans des atmosphères explosives, notamment en présence de liquides, de gaz ou de poussières inflammables ou combustibles.
4. Veillez à éviter les chocs électriques
5. Vérifiez que l'interrupteur est sur OFF et veillez à retirer la batterie lorsque l'unité n'est pas utilisée ainsi que lors des opérations de contrôle ou de maintenance.
6. Ne pas couvrir le projecteur avec un tissu, du carton ou tout autre matériau lorsqu'elle est allumée. Gardez la lampe et l'objet éclairé à une distance d'au moins 20 cm. Le non-respect de ces mises en garde peut entraîner un incendie.
7. Lorsque la lampe est allumée, ne la regardez pas directement, ne la pointez pas vers des personnes ou des animaux, ou ne la dirigez pas vers les yeux.
8. La lentille reste à une température élevée lorsque la lampe est allumée immédiatement après utilisation. Évitez donc de la toucher.
9. Abstenez-vous d'utiliser, laisser ou ranger le projecteur sous la pluie ou dans des endroits humides.
10. Ne laissez pas le projecteur dans un véhicule ou similaire, où il risque d'être exposé à la chaleur du soleil (supérieure à 122°F (50°C)). Il risque sinon de présenter un dysfonctionnement.

11. Ne laissez pas le projecteur sans surveillance lorsqu'elle est allumée.
12. Lorsque vous placez le projecteur en hauteur pour l'utiliser, assurez-vous que l'emplacement est stable. De plus, fixez-le en place au moyen d'une corde, etc. pour l'empêcher de tomber. En cas de chute, cela peut entraîner des blessures ou des dommages.
13. N'utilisez pas le projecteur si la lentille est endommagée ou détachée.
14. Ne rechargez pas l'unité à l'extérieur.
15. Utilisez exclusivement le chargeur fourni par le fabricant pour recharger.
16. Ne pas incinérer l'appareil même s'il est gravement endommagé. Les batteries peuvent exploser lors d'un incendie.
17. Ce produit n'est pas doté d'une structure résistante à l'eau.
18. Ne touchez pas l'intérieur de la tête avec des pinces ou d'autres objets métalliques.

REGLES GENERALE DE SECURITE

CONSERVER CES INSTRUCTIONS

- 1) **Sécurité de l'aire de travail**
 - a) **Maintenir l'espace de travail propre.**
Les endroits en désordre sont propices aux accidents.
 - b) **N'utilisez pas le projecteur en présence de liquides, gaz ou poussières inflammables, au risque de provoquer une explosion.**
- 2) **Sécurité électrique**
 - a) **Éviter tout contact avec les surfaces mises à la masse telles que les tuyaux, radiateurs, bandes et réfrigérateurs.**
Le risque de choc électrique est accru en cas de mise à la masse du corps.

- b) **N'exposez pas le projecteur à l'humidité.**
Si de l'eau pénètre dans le projecteur, cela augmente les risques de choc électrique.
- 3) **Sécurité personnelle**
- a) **Rester vigilant, regarder ce que vous êtes en train de faire et faire preuve de bon sens dans votre utilisation du projecteur.**
- 4) **Utilisation et entretien du projecteur alimenté sur batterie**
- a) **Rechargez la batterie uniquement avec le chargeur recommandé par le fabricant.**
Un chargeur qui est compatible à un type bien précis de batterie peut entraîner un risque d'incendie s'il est utilisé avec une autre batterie.
- b) **Utilisez le projecteur uniquement avec les batteries spécifiées.**
L'utilisation d'autres batteries peut entraîner un risque de blessures et d'incendie.
- c) **Lorsque la batterie est inutilisée, la garder à l'écart d'objets métalliques comme des trombones, des pièces de monnaie, des clés, des clous, des vis ou autres petits objets métalliques pouvant raccorder les bornes.**
La connexion des bornes peut entraîner des blessures ou un incendie.
- d) **En cas d'utilisation dans des conditions extrêmes, du liquide peut être émis de la batterie. Éviter tout contact. en cas de contact accidentel, rincer à l'eau. Si le liquide entre en contact avec les yeux, consulter un médecin.**
Le liquide émis par la batterie peut entraîner des irritations et des brûlures.
- 5) **Service**
- a) **Faites entretenir le projecteur par un technicien habilité utilisant exclusivement des pièces de rechange identiques.**
Cela garantira la sécurité du projecteur.
- b) **Si l'appareil ne fonctionne pas normalement, qu'il est tombé, détérioré, qu'il a séjourné à l'extérieur ou est tombé dans l'eau, faites-le contrôler dans un centre de maintenance.**

RÈGLES DE SÉCURITÉ SPÉCIFIQUES

- N'utilisez pas le projecteur en présence de matériaux inflammables tels que la laque, la peinture, le benzène, le diluant ou la gazoline.**
Cela peut provoquer une explosion ou un incendie.
- Ne pas utiliser près d'objets générant une chaleur élevée.**
Cela peut provoquer un incendie.
- Si vous observez que l'appareil génère des températures anormalement élevées, fonctionne mal ou produit des bruits anormaux, cessez immédiatement l'utilisation et coupez l'interrupteur d'alimentation. Faites-le inspecter et réparer chez votre distributeur ou dans un service après-vente metabo HPT agréé.**
- Si l'unité tombe ou se cogne malencontreusement contre un autre objet, inspectez-la minutieusement pour vérifier l'absence de craquelures, de cassures ou de déformations, etc.**
Toute craquelure, cassure ou déformation peut entraîner des blessures.
- Précautions pendant le transport.**
 - Éteignez l'outil et retirez la batterie.
 - Transportez l'outil par sa poignée.
 - Lorsque la machine est transportée à l'intérieur d'un véhicule, prenez des mesures adaptées pour éviter qu'elle ne chute et ne soit ainsi détériorée.
- NE JAMAIS utiliser un projecteur pour des applications autres que celles indiquées dans le mode d'emploi.**
- Manipulez le projecteur correctement.**
Utilisez le projecteur comme indiqué dans ce mode d'emploi. Ne lancez ou ne laissez pas tomber le projecteur. Ne permettez **JAMAIS** aux enfants, aux personnes non expérimentées ou aux personnes non autorisées de se servir du projecteur.
- Maintenir toutes les vis, tous les boulons et les couvercles fermement en place.**
Maintenir toutes les vis, tous les boulons et les couvercles fermement montés. Vérifier leurs conditions périodiquement.

9. **Ne pas essuyer les parties en plastique avec du solvant.**

Les solvants comme l'essence, les diluants, la benzine, le tétrachlorure de carbone et l'alcool peuvent endommager et fissurer les parties en plastique. Ne pas les essuyer avec de tels solvants.

Essuyer les parties en plastique avec un chiffon doux légèrement imbibé d'une solution d'eau savonneuse et sécher minutieusement.

10. **N'utilisez pas le produit si l'outil ou les bornes de la batterie (fixation de la batterie) sont déformés.**

Installer la batterie peut entraîner un court-circuit qui pourrait provoquer des émissions de fumée ou une ignition.

11. **Gardez les bornes de l'outil (fixation de la batterie) exemptes de copeaux et de poussière.**

○ Avant toute utilisation, assurez-vous qu'aucun copeau ou poussière ne s'est accumulé sur la zone des bornes.

○ Pendant l'utilisation, essayez d'éviter que des copeaux ou de la poussière provenant de l'outil ne tombent sur la batterie.

○ Lors de la suspension de l'opération ou après l'utilisation, ne laissez pas l'outil dans un endroit où il pourrait être exposé à des copeaux ou de la poussière.

Le non-respect de cette consigne peut entraîner un court-circuit qui pourrait provoquer des émissions de fumée ou une ignition.

**CONSIGNES DE SÉCURITÉ
IMPORTANTES POUR LE CHARGEUR
DE BATTERIE**

⚠ AVERTISSEMENT

Une utilisation incorrecte ou dangereuse des chargeurs de batterie peut entraîner la mort ou des blessures graves.

LIRE TOUT CE MODE D'EMPLOI

1. Ce manuel renferme des consignes de sécurité et d'utilisation importantes pour le chargeur de batterie modèle UC18YFSL.
2. Avant d'utiliser le chargeur de batterie, lire toutes les étiquettes d'instruction et de précaution apposées sur (1) le chargeur de batterie, (2) la batterie, et (3) le produit utilisant la batterie.
3. Pour réduire les risques de blessures, charger les modèles de batteries rechargeables metabo HPT de la série Multi Volt et de la série BSL18. Les autres modèles de batterie pourraient exploser et provoquer des blessures ou des dommages.
4. L'utilisation d'un accessoire non recommandé ou non vendu par le fabricant du chargeur de batterie risque de provoquer un feu, une décharge électrique ou des blessures.
5. Pour réduire tout risque de dommage de la fiche et du cordon électrique, débrancher le cordon du chargeur en tirant sur la fiche.
6. Vérifier que le cordon est placé de façon que personne ne puisse marcher dessus, se prendre les pieds dedans, ni l'endommager ou le soumettre à des contraintes.
7. Ne pas utiliser de cordon de rallonge si cela n'est pas absolument nécessaire. L'utilisation d'un cordon de rallonge incorrect pourrait entraîner un feu ou une décharge électrique. Si l'on doit utiliser un cordon de rallonge, s'assurer que:
 - a. Les broches de la rallonge ont les mêmes numéro, taille et forme que celles de la fiche du chargeur ;
 - b. Le cordon de rallonge est correctement raccordé et en bon état électrique ;
 - c. Le calibre du fil doit être au moins suffisant pour l'intensité nominale CA (ampères) du chargeur de batterie spécifiées dans le Tableau 1.

Tableau 1

**CALIBRE MINIMUM RECOMMANDÉ POUR LES CORDONS DE RALLONGE
DES CHARGEURS DE BATTERIE**

Intensité nominale d'entrée CA (ampères)*		Calibre du cordon			
Egal ou supérieur à	mais non inférieur à	Longueur de cordon en pieds (mètres)			
		25 (7,5)	50 (15)	100 (30)	150 (45)
0	2	18	18	18	16
2	3	18	18	16	14
3	4	18	18	16	14

* Si l'intensité nominale d'entrée du chargeur de batterie est donnée en watts et non en ampères, calculer la capacité en ampères correspondante en divisant la capacité en ampères par la capacité de tension, par exemple:

$$\frac{1250 \text{ watts}}{125 \text{ volts}} = 10 \text{ ampères}$$

8. Ne pas utiliser le chargeur si son cordon ou sa fiche sont endommagés - Le remplacer immédiatement.
9. Ne pas utiliser le chargeur s'il a reçu un coup, s'il est tombé ou endommagé de toute autre manière. L'apporter à un réparateur qualifié.
10. Ne pas démonter le chargeur ni le produit qui reçoit la batterie ; si un entretien ou des réparations sont nécessaires, les apporter à un réparateur qualifié. Un remontage incorrect pourrait provoquer une décharge électrique ou un feu.
11. Pour réduire tout risque de décharge électrique, débrancher le chargeur de la prise secteur avant tout entretien ou nettoyage. Il ne suffit pas de sortir la batterie.

**CONSIGNES DE SÉCURITÉ
IMPORTANTES POUR L'UTILISATION
DE LA BATTERIE ET DU CHARGEUR
DE BATTERIE**

Vous devez charger la batterie avant de pouvoir utiliser l'outil. Avant d'utiliser le chargeur de batterie modèle UC18YFSL, bien lire attentivement toutes les consignes et les avertissements signalés sur le chargeur, sur la batterie ou dans ce manuel.

⚠ PRECAUTION
UTILISER UNIQUEMENT LES MODÈLES DE BATTERIE metabo HPT DES SÉRIES MULTI VOLT ET BSL18. LES AUTRES MODÈLES DE BATTERIE POURRAIENT EXPLOSER OU PROVOQUER DES BLESSURES!

Pour éviter tout risque de blessure, observer les consignes suivantes:

⚠ AVERTISSEMENT
Une utilisation incorrecte de la batterie ou du chargeur de batterie risque de provoquer des blessures. Pour éviter tout risque de blessure:

1. **NE JAMAIS** démonter la batterie.
2. **NE JAMAIS** jeter la batterie au feu, même si elle est endommagée ou complètement usée. La batterie risque d'exploser au feu.
3. **NE JAMAIS** court-circuiter la batterie.
4. **NE JAMAIS** insérer d'objets dans les ouïes d'aération du chargeur. Il pourrait en résulter un choc électrique ou des dommages du chargeur.
5. **NE JAMAIS** effectuer la recharge à l'extérieur. Eloigner la batterie des rayons directs du soleil et utiliser exclusivement dans des endroits à faible humidité et bien aérés.
6. **NE JAMAIS** effectuer la recharge si la température est inférieure à 32°F (0°C) ou supérieure à 104°F (40°C).
7. **NE JAMAIS** raccorder deux chargeurs de batterie ensemble.

8. **NE JAMAIS** insérer de corps étrangers dans l'orifice de la batterie ou du chargeur de batterie.
9. **NE JAMAIS** utiliser de transformateur-élévateur pour la recharge.
10. **NE JAMAIS** utiliser l'alimentation CC pour charger.
11. **NE JAMAIS** ranger la batterie ou le chargeur de batterie dans un endroit où la température peut atteindre ou dépasser 104°F (40°C), comme à l'intérieur d'une boîte métallique ou d'une voiture.
12. **NE JAMAIS** exposer la batterie ou le chargeur de batterie à la pluie ou l'humidité.
13. **TOUJOURS** alimenter le chargeur sur une prise secteur domestique standard (120 volts). L'utilisation du chargeur à une autre tension peut entraîner une surchauffe et endommager le chargeur.
14. **TOUJOURS** attendre au moins 15 minutes entre deux recharges pour éviter toute surchauffe du chargeur.
15. **TOUJOURS** débrancher le cordon d'alimentation de la prise secteur lorsqu'on ne se sert pas du chargeur.

PRÉCAUTIONS RELATIVES A LA BATTERIE AU LITHIUM ION

Pour prolonger sa durée de vie, la batterie lithium-ion est équipée d'une fonction de protection qui coupe automatiquement l'alimentation.

Dans les cas 1 à 3 décrits ci-dessous, lors de l'utilisation de ce produit, même si l'interrupteur est sur Marche, la lampe peut ne pas s'allumer. Il ne s'agit pas d'un dysfonctionnement, mais du fonctionnement normal de la protection.

1. Lorsque la batterie restante est épuisée, la lampe s'éteint.
Dans ce cas de figure, chargez immédiatement la batterie.
2. En cas de surcharge de l'outil, la lampe peut s'éteindre. Dans ce cas, relâcher le commutateur de l'outil et éliminer les causes de la surcharge. Vous pouvez ensuite recommencer à utiliser l'outil.
3. En cas de surchauffe due à un travail trop intensif, l'alimentation de la batterie peut se couper.
Dans ce cas, arrêtez toute utilisation de la batterie et laissez-la refroidir. Vous pouvez ensuite recommencer à l'utiliser.

En outre, respectez la précaution et l'avertissement suivants.

AVERTISSEMENT

Afin d'éviter toute fuite de la batterie, génération de chaleur, émission de fumée, explosion et inflammation, respectez scrupuleusement les précautions suivantes :

1. Assurez-vous que les copeaux et la poussière ne s'accumulent pas sur la batterie.
 - Lorsque vous travaillez, assurez-vous que les copeaux et la poussière ne tombent pas sur la batterie.
 - S'assurer que les copeaux et la poussière qui tombent sur l'outil lors de la tâche ne s'accumulent pas sur la batterie.
 - Ne conservez pas une batterie inutilisée dans un endroit qui est exposé aux copeaux et à la poussière.
 - Avant de stocker une batterie, retirez tous les copeaux et la poussière qui ont pu y adhérer et ne la conservez pas avec des pièces métalliques (vis, clous, etc.).
2. Ne percez pas la batterie à l'aide d'un objet pointu tel qu'un clou. Ne la frappez pas à l'aide d'un marteau. Ne marchez pas dessus, ne la lancez pas et ne la soumettez pas un à choc physique important.
3. N'utilisez pas une batterie dont l'extérieur est déformé ou laisse penser qu'elle est défectueuse.
4. N'insérez pas la batterie à l'envers (pôles inversés).
5. Ne raccordez pas directement la batterie à une prise électrique ou à un allume-cigare.
6. N'utilisez pas la batterie à d'autres fins que celle spécifiée.
7. En cas d'échec du chargement d'une batterie, même après un certain délai, arrêtez immédiatement le rechargement.
8. N'exposez pas la batterie à des températures ou à une pression élevées (four à micro-ondes, séchoir, conteneur sous haute pression).
9. Maintenez à la batterie à l'écart de toute flamme en cas de détection d'une fuite ou d'une mauvaise odeur.
10. Ne pas utiliser à proximité d'une source puissante d'électricité statique.

11. En cas de fuite de la batterie, de mauvaise odeur, de génération de chaleur, de décoloration, de déformation ou d'anomalie en cours d'utilisation, de rechargement ou d'entreposage, ôtez immédiatement la batterie de l'équipement ou du chargeur de batterie et ne l'utilisez plus.
12. Ne plongez jamais la batterie dans de l'eau ou tout autre liquide, et ne laissez aucun liquide s'infiltrer à l'intérieur de la batterie. L'entrée de liquides conducteurs, tel que de l'eau, peut causer des dommages pouvant entraîner un incendie ou une explosion. Rangez votre batterie dans un endroit frais et sec, à l'écart d'objets combustibles et inflammables. Les atmosphères corrosives doivent être évitées.

PRECAUTION

1. En cas de projection dans les yeux de liquide ayant fuit de la batterie, ne vous frottez pas les yeux, rincez-les à l'eau claire et contactez immédiatement un médecin.
En l'absence de traitement, le liquide peut détériorer l'oeil.
2. En cas de projection de liquide ayant fuit de la batterie sur votre peau ou vos vêtements, rincez immédiatement ces derniers à l'eau claire (au robinet).
Le liquide peut provoquer une irritation de la peau.
3. En cas de détection de rouille, de mauvaise odeur, de surchauffe, de décoloration, de déformation et/ou autres anomalies lors de la première utilisation de la batterie, n'utilisez pas cette dernière et renvoyez-la au fournisseur ou au fabricant.

AVERTISSEMENT

Un court-circuit risque de se produire et causer un incendie, si un corps étranger conducteur d'électricité passe dans les bornes de la pile au lithium-ion. Veuillez respecter les consignes suivantes pour le rangement de la pile.

- **Ne pas mettre d'objet conducteur d'électricité, tels que clous, fil d'acier, de cuivre ou autre fil dans la mallette de rangement.**
- **Soit ranger la batterie avec l'outil ou de manière sécuritaire en l'enfonçant dans le couvercle jusqu'à ce que les orifices de ventilation soient dissimulés afin d'éviter les courts-circuits (voir la Fig. 3).**

À PROPOS DU TRANSPORT DE LA BATTERIE LITHIUM-ION

Lors du transport d'une batterie lithium-ion, veuillez observer les précautions suivantes.

AVERTISSEMENT

Informez la société de transport qu'un paquet contient une batterie lithium-ion, informez la société de sa puissance de sortie et suivez les instructions de la société de transport lors de l'organisation du transport.

- Les batteries lithium-ion qui dépassent une puissance de sortie de 100 Wh font partie de la classification de transport des produits dangereux et nécessitent l'application de procédures spéciales.
- Pour un transport vers l'étranger, vous devez vous conformer aux lois internationales et aux normes et réglementations en vigueur dans le pays de destination.

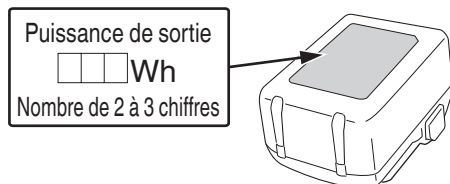


Fig. 1

**CONSERVEZ CES INSTRUCTIONS
ET
METTEZ-LES A LA DISPOSITION DES AUTRES
UTILISATEURS
ET
PROPRIETAIRES DE CE PROJECTEUR !**

DESCRIPTION FONCTIONNELLE

REMARQUE

Les informations contenues dans ce mode d'emploi sont conçues pour une utilisation et un entretien sans danger du projecteur.

N'utilisez et n'entrez jamais une révision du projecteur sans avoir d'abord lu et compris toutes les instructions de sécurité contenues dans ce manuel.

Certaines illustrations dans ce mode d'emploi peuvent montrer des détails ou des accessoires différents de ceux de votre projecteur.

NOM DES PARTIES

1. Projecteur sans fil (UB18DH)

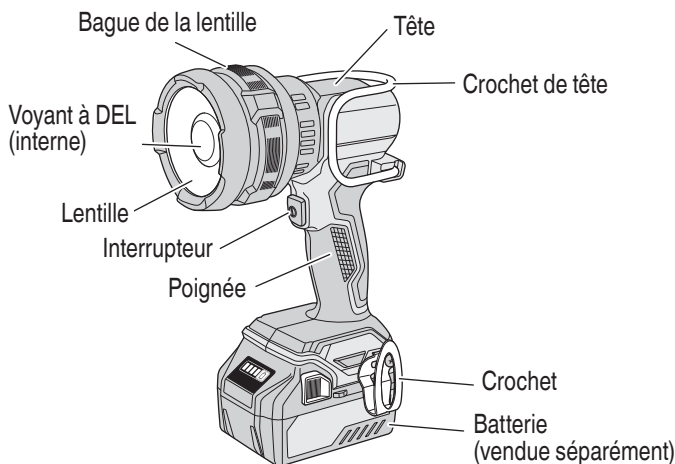
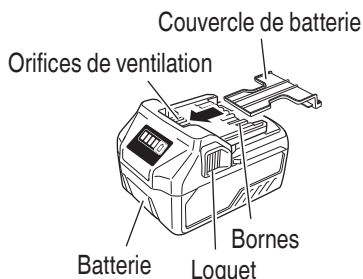


Fig. 2

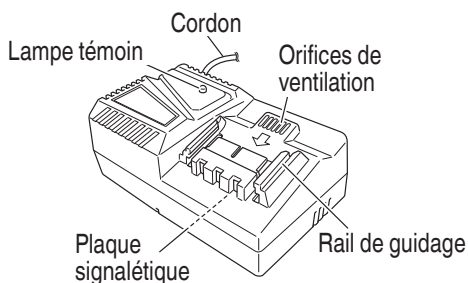
2. Batterie (accessoires en option...vendus séparément)



<BSL36A18>

Fig. 3

3. Chargeur de batterie (accessoires en option...vendus séparément)



<UC18YFSL>

Fig. 4

SPECIFICATIONS

1. Projecteur sans fil

Modèle		UB18DH		
Luminosité		1050 lm*1		
DEL (blanche)		10 W		
Durée de fonctionnement, Env. (avec une batterie chargée)*		3,0 Ah	5,0 Ah	8,0 Ah
	Élevé	Env. 4,5 heures	Env. 8 heures	Env. 12,5 heures
	Moyen	Env. 7 heures	Env. 12 heures	Env. 19 heures
	Faible	Env. 14,5 heures	Env. 24 heures	Env. 38,5 heures
	Stroboscopique	Env. 9,5 heures	Env. 15,5 heures	Env. 25 heures
Batterie	Type	Batterie Li-ion type Multi Volt, série BSL18		
	Tension	CC 18V		
Poids (sans la batterie)		1,8 lbs. (0,8 kg)		

*1 En mode large et réglé sur Élevé

*2 Les durées de fonctionnement indiquées ne sont que des valeurs de référence.

La durée réelle varie selon le type et l'état de charge de la batterie, les conditions d'utilisation, etc.

2. Chargeur de batterie

Modèle	UC18YFSL
Source d'alimentation d'entrée	Monophasée: CA 120 V 60 Hz
Durée de recharge (à une température de 68°F (20°C))	BSL36A18: Env. 75 min
Tension de charge	CC 14,4 V-18 V
Courant de charge	CC 3,5 A
Poids	1,1 lbs. (0,5 kg)

REMARQUE: La durée de recharge peut varier en fonction de la température et de la tension de la source d'alimentation.

ASSEMBLAGE ET FONCTIONNEMENT

UTILISATIONS

Éclairage du chantier

MÉTHODE DE RETRAIT ET D'INSTALLATION DE LA BATTERIE

- Installation de la batterie.
Insérez-le toujours à fond jusqu'à ce qu'il se verrouille en place avec un déclic. (Fig. 5-a).

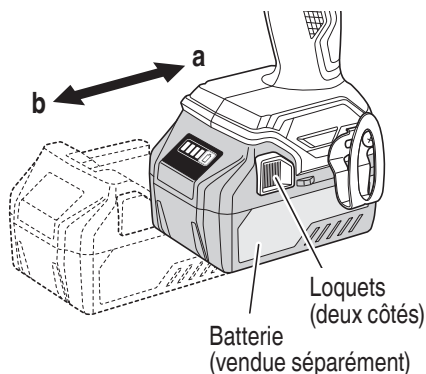


Fig. 5

- Retrait de la batterie.
Tout en appuyant sur les 2 loquets (un de chaque côté), faites-la glisser et tirez-la vers l'extérieur. (Fig. 5-b).

REMARQUE

Si de l'eau ou de la poussière pénètre dans le corps de l'outil ou les bornes de la batterie, une défaillance peut se produire.

MÉTHODE DE RECHARGE

REMARQUE

Avant de brancher le chargeur dans la prise, vérifiez les points suivants.

- La tension de la source d'alimentation est indiquée sur la plaque signalétique.
- Le cordon n'est pas endommagé.

⚠ AVERTISSEMENT

Ne pas effectuer de recharge à une tension supérieure à la tension indiquée sur la plaque signalétique.

Si la recharge est effectuée à une tension supérieure à la tension indiquée sur la plaque signalétique, le chargeur sera brûlé.

1. Brancher le cordon d'alimentation du chargeur dans une prise murale. Une fois que le cordon d'alimentation est branché, le témoin de charge clignote en rouge. (A intervalles d'une seconde)



⚠ AVERTISSEMENT

Ne pas utiliser le cordon électrique s'il est endommagé. Le faire réparer immédiatement.

2. Insérer la batterie dans le chargeur de batterie. Insérer la batterie dans le chargeur de batterie comme indiqué à la Fig. 6.

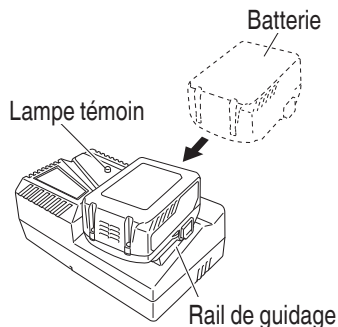







Fig. 6

3. Recharge
 Lorsque vous insérez une batterie dans le chargeur, la lampe témoin s'allume en rouge en continu.
 Lorsque la batterie est totalement rechargée, le voyant d'état de chargement clignote en rouge (à intervalles d'une seconde). (Voir Tableau 2)

- (1) Indication du voyant
 Les indications du témoin lumineux sont expliquées dans le Tableau 2, en fonction de l'état du chargeur de batterie ou de la batterie.

Tableau 2

Explications de la lampe témoin			
Lampe témoin (rouge)	Avant la recharge	Clignote	S'allume pendant 0,5 seconde. Ne s'allume pas pendant 0,5 seconde. (Eteint pendant 0,5 seconde) 
	Pendant la recharge	S'allume	S'allume sans interruption 
	Recharge terminée	Clignote	S'allume pendant 0,5 seconde. Ne s'allume pas pendant 0,5 seconde. (Eteint pendant 0,5 seconde) 
	Veille en surchauffe	Clignote	S'allume pendant 1 seconde. Ne s'allume pas pendant 0,5 seconde. (Eteint pendant 0,5 seconde) 
	Recharge impossible	Clignote	S'allume pendant 0,1 seconde. Ne s'allume pas pendant 0,1 seconde. (Eteint pendant 0,1 seconde) 
			Batterie en surchauffe. Chargement impossible (le chargement commencera une fois que la batterie sera froide).
			Anomalie de la batterie ou du chargeur

- (2) Au sujet de la température de la batterie rechargeable.
 Les températures des batteries rechargeables sont indiquées dans le Tableau 3. Laisser refroidir les batteries qui ont chauffé avant de les recharger.

REMARQUE

Le temps de recharge peut varier en fonction de la température ambiante.

4. Débrancher le chargeur de batterie de la prise.

⚠ PRECAUTION

**Ne pas débrancher la fiche de la prise en tirant sur le cordon.
 Pour éviter tout dommage lorsqu'on débranche la fiche de la prise, bien tenir la fiche proprement dite.**

- (3) Durée de recharge (A 68°F (20°C))

Tableau 4 Temps de recharge

Batterie \ Chargeur	UC18YFSL
BSL36A18	Env. 75 min

REMARQUE

Bien sortir la batterie du chargeur de batterie après usage, et la conserver.

En ce qui concerne le courant de décharge d'une batterie neuve

Etant donnée que les substances chimiques internes sont restées inactives dans le cas des batteries neuves ou des batteries qui sont restées longtemps inutilisées, le courant de décharge risque d'être très faible lors des première et deuxième utilisations. Ce phénomène est temporaire et le temps de recharge normal sera rétabli quand les batteries auront été rechargées 2 ou 3 fois.

Comment prolonger la durée de vie des batteries

- (1) Recharger les batteries avant qu'elles ne soient complètement épuisées. Quand la puissance de l'outil utilisé faiblit, l'éteindre et recharger la batterie. Si l'outil continue d'être utilisé jusqu'à épuisement du courant électrique, la batterie risque d'être endommagée et sa durée de vie se raccourcira.
- (2) Eviter d'effectuer la recharge sous des températures élevées.

Une batterie est toujours chaude immédiatement après son utilisation. Si la batterie est rechargée immédiatement après utilisation, les substances chimiques internes risquent de se détériorer et la durée de vie de la batterie se raccourcira. Laisser la batterie refroidir un moment avant de l'utiliser.

⚠ PRECAUTION

- Si le chargeur a fonctionné pendant longtemps de suite, il sera chaud, ce qui risque de provoquer des pannes. Lorsque la recharge est terminée, laisser le chargeur refroidir pendant environ 15 secondes avant de passer à la recharge suivante.
- Si la batterie est chaude quand elle est rechargée, parce qu'elle est restée longtemps en plein soleil ou parce qu'elle vient juste d'être utilisée, la lampe pilote du chargeur clignote en s'allumant pendant 1 seconde, puis en s'éteignant pendant 0,5 seconde.
La batterie ne se rechargera pas. Dans ce cas, laisser la batterie refroidir avant de la recharger.

- Quand la lampe témoin clignote rapidement (à intervalles de 0,2 seconde), vérifier le chargeur et retirer tout objet étranger qui serait tombé dans son connecteur. S'il n'y a rien d'amormal, il est alors probable que la batterie ou le chargeur fonctionne mal. Dans ce cas, les enlever et les porter à un réparateur agréé.

COMMENT UTILISER

1. Mise en marche de la lampe
Appuyez sur l'interrupteur pour allumer la lampe. (Fig. 7)

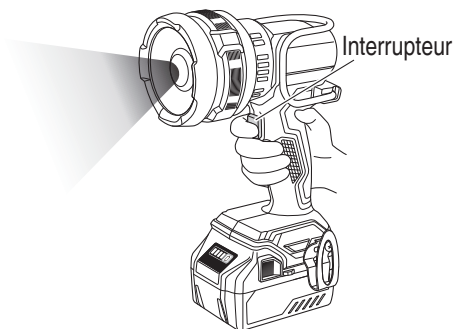


Fig. 7

2. Luminosité (élevée/moyenne/faible)
La luminosité de la DEL peut être réglée entre 3 niveaux. Chaque fois que l'interrupteur est enfoncé, la DEL permute entre « Élevée » → « Moyenne » → « Faible » → « Éteinte ».
3. Modifier le mode de fonctionnement (mode spot/mode large)
Modifiez la position de la bague de la lentille pour changer de mode de fonctionnement. Le mode spot est une fonction qui concentre la lumière pour un éclairage longue distance. (Fig. 8-a)
Le mode large est une fonction qui répand la lumière pour éclairer largement les environs. (Fig. 8-b)

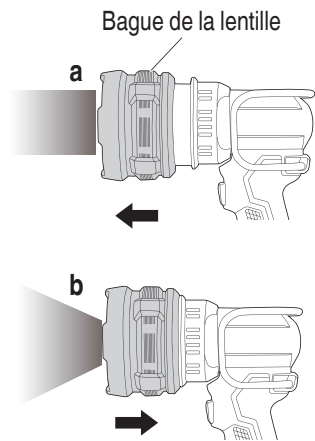


Fig. 8

4. Mode stroboscopique
 Maintenez enfoncé l'interrupteur pour passer au mode stroboscopique (clignotant). (Fig. 9)
 En mode stroboscopique, appuyez sur l'interrupteur pour éteindre la lumière.
 En mode stroboscopique, maintenez enfoncé l'interrupteur pour désactiver le mode stroboscopique.

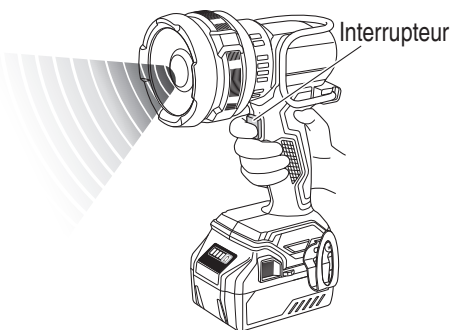


Fig. 9

5. Fonction de notification de batterie faible
 Alors que le voyant est allumé, lorsque la batterie restante devient faible et que le temps d'éclairage restant est de 10 minutes ou moins, le voyant à DEL clignote répétitivement 3 fois, une fois par minute. (Fig. 10)
 En mode stroboscopique, la fonction de notification de batterie faible ne s'active pas.

Le temps d'éclairage restant varie en fonction du réglage de la luminosité de l'éclairage et du type et de l'état de la batterie, il ne s'agit donc que d'une estimation.

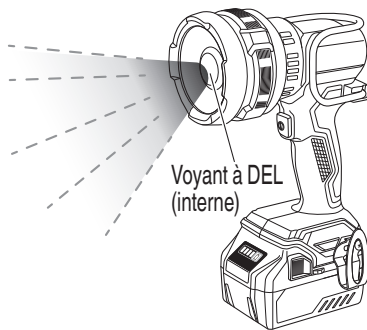


Fig. 10

REMARQUE

Lorsque vous utilisez une batterie Multi-volt, veuillez-vous référer au témoin lumineux de la batterie pour connaître la puissance restante de la batterie.

6. Changement de l'angle de la lumière
 L'angle vertical peut être changé de 90°. (Fig. 11)

⚠ PRECAUTION

Lorsque vous changez l'angle de la tête, prenez soin de ne pas vous pincer les doigts entre la tête et la poignée.

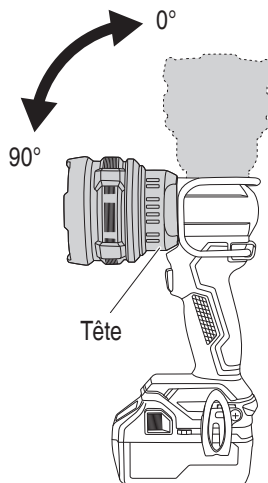


Fig. 11

7. Suspension du projecteur pour l'utiliser
Lorsque vous utilisez le projecteur alors qu'il est suspendue à un crochet, accrochez-la à un objet stable et robuste. (Fig. 12)

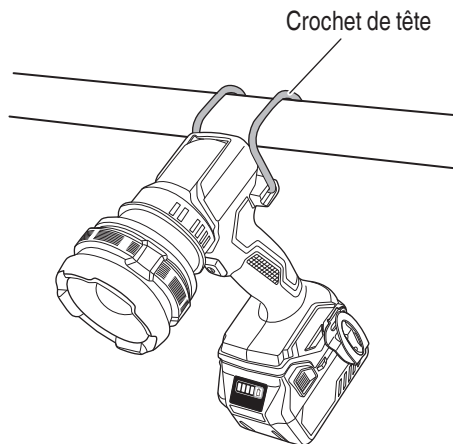


Fig. 12

ENTRETIEN ET INSPECTION

⚠ AVERTISSEMENT

Si vous prévoyez ne pas utiliser le projecteur pendant une longue période, pour un entretien, une inspection ou un rangement, veillez à mettre l'interrupteur sur Arrêt et à retirer la batterie.

1. Vérifier les vis
Des vis mal serrées sont dangereuses. Les inspecter régulièrement et vérifier qu'elles sont serrées à fond.

⚠ AVERTISSEMENT

L'utilisation de ce projecteur avec des vis mal serrées s'avère extrêmement dangereuse.

2. Vérifier s'il y a de la poussière.
Enlever la poussière avec un chiffon doux ou un chiffon humecté d'eau savonneuse. Ne pas utiliser de décolorant, chlorure, essence ou diluant, car ces produits pourraient endommager le plastique.

3. Inspection des bornes (outil et batterie)
Assurez-vous qu'il n'y a pas de copeaux ou de poussières accumulés sur les bornes.
À l'occasion, vérifier avant, pendant et après le fonctionnement.

⚠ PRECAUTION

Retirez tous les copeaux ou la poussière qui se sont accumulés sur les bornes.
Le non-respect de cette consigne pourrait provoquer un dysfonctionnement.

4. Mise au rebut d'une batterie usée

AVERTISSEMENT

Ne pas jeter la batterie usée aux ordures ménagères. La batterie risque d'exploser si elle est incinérée. La batterie est recyclable. Lorsqu'elle a atteint sa limite de service, selon les lois des états et les lois locales, il peut être illégal de jeter cette batterie aux ordures ménagères. Vérifier auprès de son service de ramassage d'ordures les options de recyclage et la procédure correcte de mise au rebut.

5. Rangement
Ranger dans un lieu dont la température est inférieure à 104°F (40°C), et hors de portée des enfants.

REMARQUE

Stockage des batteries au lithium-ion
Assurez-vous que les batteries au lithium-ion ont été entièrement chargées avant de les stocker.

Le stockage prolongé (3 mois ou plus) de batteries faiblement chargées peut entraîner une détérioration des performances, réduisant considérablement la durée d'autonomie des batteries alors incapables de tenir une charge. Si la durée d'autonomie de la batterie reste extrêmement courte malgré les charges et utilisations consécutives, considérez la batterie en fin de vie et procurez-vous en une neuve.

6. Entretien et réparation
Tout projecteur de qualité aura à un moment ou un autre besoin d'une réparation ou du remplacement d'une pièce en raison de l'usure normale de l'appareil. Pour assurer que seules des pièces de rechange autorisées seront utilisées, tous les entretiens et les réparations doivent être effectués uniquement par UN CENTRE DE SERVICE metabo HPT AUTORISÉ.

PRECAUTION

Lors de l'utilisation et de l'entretien d'un projecteur, respectez les règlements et les normes de sécurité en vigueur dans le pays en question.

Avis important sur les batteries pour outils électriques sans fil metabo HPT

Toujours utiliser une de nos batteries originales spécifiées. Nous ne saurions garantir la sécurité et la performance de notre outil électrique sans fil s'il est utilisé avec une batterie autre que celle que nous avons spécifié, ou encore si la batterie est démontée et modifiée (par exemple, le démontage et remplacement des cellules ou autres composants internes).

ACCESSOIRES

AVERTISSEMENT

Utilisez **TOUJOURS** uniquement des pièces de rechange et des accessoires metabo HPT. N'utilisez **JAMAIS** des pièces de rechange ou des accessoires qui ne sont pas prévus pour ce projecteur. En cas de doute, contactez metabo HPT pour savoir si une pièce de rechange ou un accessoire spécifique peut être utilisé(e) en toute sécurité avec votre projecteur.

L'utilisation de toute autre pièce annexe ou accessoire peut être dangereuse et peut causer des blessures ou des dommages mécaniques

REMARQUE

Les accessoires sont sujets à changement sans obligation de la part de metabo HPT.

ACCESSOIRES STANDARD

UB18DH (NN)	La batterie, le chargeur de batterie et le couvercle de la batterie ne sont pas inclus.
----------------	---

ACCESSOIRES SUR OPTION...vendus séparément

- (1) Batterie (BSL1830C / BSL1850C / BSL36A18 / BSL36B18 / BSL36C18)
- (2) Chargeur de batterie (UC18YFSL / UC18YKSL / UC18YSL3)
- (3) Couvercle de batterie (No. de code 329897)
- (4) Sangle de transport (No. de code 336558)

REMARQUE

Les spécifications sont sujettes à modification sans aucune obligation de la part de metabo HPT.

INFORMACIÓN IMPORTANTE SOBRE SEGURIDAD

Antes de utilizar o realizar cualquier trabajo de mantenimiento de esta linterna, lea y comprenda todas las precauciones de seguridad, advertencias e instrucciones de funcionamiento de este Manual de instrucciones.

La mayoría de los accidentes producidos en la operación y el mantenimiento de una linterna se deben a la falta de observación de las normas o precauciones de seguridad. Los accidentes normalmente podrán evitarse reconociendo una situación potencialmente peligrosa a tiempo y siguiendo los procedimientos de seguridad apropiados.

Las precauciones básicas de seguridad se describen en la sección "SEGURIDAD" de este Manual de instrucciones y en las secciones que contienen las instrucciones de operación y mantenimiento.

Para evitar lesiones o el daño de la linterna, los riesgos están identificados con ADVERTENCIAS en dicha linterna y en este Manual de instrucciones.

No utilice **NUNCA** esta linterna de ninguna forma que no esté específicamente recomendada por metabo HPT.



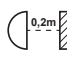
SIGNIFICADO DE LAS PALABRAS DE SEÑALIZACIÓN

ADVERTENCIA indica situaciones potencialmente peligrosas que, si se ignoran, pueden resultar en la muerte o en lesiones de gravedad.

PRECAUCIÓN indica situaciones potencialmente peligrosas que, de no evitarse, pueden resultar en lesiones menores o moderadas, o causar daños en la herramienta eléctrica.

NOTA acentúa información esencial.

SIGNIFICADO DE SÍMBOLOS

Símbolos			
⚠ ADVERTENCIA			
A continuación se muestran los símbolos usados para la máquina. Asegúrese de comprender su significado antes del uso.			
	Para disminuir el riesgo de lesiones, el usuario debe leer el manual de instrucciones.	V	tensión eléctrica
		— — —	corrientes continuas
	No mire fijamente a la lámpara cuando esté encendida.	W	watios
	La distancia entre la lámpara y el objeto que desee iluminar debe ser en todo momento de 0.2 m como mínimo.	ta	Temperatura ambiente

INSTRUCCIONES DE SEGURIDAD IMPORTANTES

Cuando utilice un aparato eléctrico, debe seguir siempre las precauciones básicas, incluidas las siguientes:

LEA TODAS LAS INSTRUCCIONES ANTES DE UTILIZAR (ESTE APARATO)

ADVERTENCIA

Para reducir el riesgo de incendio, descarga eléctrica o lesiones:

1. No deje que se utilice como juguete. Preste especial atención cuando sea utilizado por niños o cerca de éstos.
2. Utilice el aparato sólo como se describe en este manual. Utilice solamente accesorios recomendados por el fabricante.
3. No utilice la linterna en atmósferas explosivas, como, por ejemplo, en presencia de líquidos, gases o polvo inflamables o combustibles.
4. Tenga cuidado con las descargas eléctricas.
5. Cuando no lo utilice o durante la inspección y el mantenimiento, asegúrese de apagar la unidad y retire la batería.
6. No cubra la linterna con tela, cajas de cartón u otros materiales cuando la luz esté encendida. La distancia entre la lámpara y el objeto que desee iluminar debe ser en todo momento de 20 cm como mínimo. No respetar estas advertencias puede producir incendios.
7. Cuando la lámpara esté encendida, no la mire directamente, no la dirija hacia personas ni animales y no la apunte hacia los ojos.
8. La lente permanecerá a una temperatura alta cuando el LED esté encendido e inmediatamente después de su uso, por lo que no debe tocarla.
9. No use, deje ni guarde la linterna bajo la lluvia ni en lugares húmedos.
10. No dejar la linterna en un coche o similar expuesto al calor del sol (superior a 122°F (50°C)). De lo contrario podrían producirse problemas.
11. No deje la linterna desatendida mientras esté encendida.
12. Cuando coloque la linterna en un lugar alto para usarla, asegúrese de que ese lugar sea estable. Además, debe sujetarla con una cuerda, etc., para impedir que se caiga. Si se cae, puede causar lesiones o daños.
13. No utilice la linterna si la lente se daña o se suelta.
14. No cargue la unidad al aire libre.
15. Utilice solo el cargador suministrado por el fabricante para recargar la unidad.
16. No incinere el dispositivo, aunque presente daños graves. Las baterías pueden explotar en el fuego.
17. Este producto no tiene una estructura resistente al agua.
18. No toque el interior del cabezal con pinzas u otros objetos metálicos.

NORMAS GENERALES DE SEGURIDAD

CONSERVE ESTAS INSTRUCCIONES

- 1) **Seguridad en el área de trabajo**
 - a) **Mantenga la zona de trabajo limpia.**
Las zonas desordenadas provocan accidentes.
 - b) **No utilice la linterna en entornos explosivos como, por ejemplo, en presencia de líquidos inflamables, gases o polvo.**
- 2) **Seguridad eléctrica**
 - a) **Evite el contacto corporal con superficies conectadas a tierra como tuberías, radiadores y frigoríficos.**
Hay mayor riesgo de descarga eléctrica si su cuerpo está en contacto con el suelo.
 - b) **No exponga la linterna a la humedad.**
La entrada de agua en una linterna aumentará el riesgo de descarga eléctrica.

- 3) **Seguridad personal**
- a) **Permanezca alerta, tenga cuidado con lo que hace y aplique el sentido común cuando use la linterna.**
- 4) **Utilización y cuidado de la linterna a batería**
- a) **Recargue sólo con el cargador especificado por el fabricante.**
Un cargador que es apto para un tipo de paquete de pilas podría crear un riesgo de incendio cuando se utiliza con otro paquete de pilas.
- b) **Utilice una linterna sólo con los paquetes de pilas específicamente diseñados.**
La utilización de otros paquetes de pilas podría crear riesgo de daños e incendio.
- c) **Cuando no se utilice el paquete de pilas, manténgalo alejado de otros objetos metálicos como clips, monedas, llaves, clavos, tornillos u otros objetos metálicos pequeños que puedan hacer una conexión de un terminal a otro.**
Si se acortan los terminales de las pilas podrían producirse quemaduras o incendios.
- d) **Bajas condiciones abusivas, podría expulsarse líquido de la pila; evite todo contacto. En caso de que se produzca contacto accidentalmente, enjuague con agua. Si entra líquido en los ojos, busque ayuda médica.**
El líquido expulsado de la pila podría causar irritación o quemaduras.
- 5) **Revisión**
- a) **Lleve su linterna a que la revise un experto cualificado que utilice sólo piezas de repuesto idénticas.**
Esto garantizará el mantenimiento de la seguridad de la linterna.
- b) **Si el aparato no funciona como debería, se ha caído, dañado, dejado en el exterior o se ha caído al agua, llévelo a un servicio de atención al cliente.**

REGLAS DE SEGURIDAD ESPECÍFICAS

1. **No utilice la máquina en lugares en los que haya materiales inflamables como laca, pintura, benceno, disolvente o gasolina.**
Se puede producir una explosión o un incendio.
2. **No usar cerca de objetos que generen mucho calor.**
Cerca de estos lugares se pueden producir incendios.
3. **Si nota que la unidad está generando temperaturas inusualmente altas, funciona mal o hace ruidos anormales, deje de usarla inmediatamente y apague el interruptor de alimentación.**
Solicite una inspección y reparación a la tienda en la que adquirió la unidad o a un Centro de Servicio Autorizado de metabo HPT.
4. **Si la unidad se cae o choca accidentalmente con otro objeto, realice una revisión exhaustiva de la unidad para comprobar si presenta alguna raja, rotura, deformación, etc.**
Si la unidad presenta alguna raja, rotura o deformación, puede sufrir lesiones.
5. **Precauciones durante el transporte**
 - **Apague el interruptor de la herramienta y quite la batería.**
 - **Sostenga la herramienta por el mango de su cuerpo.**
 - **Cuando la transporte en un vehículo, tome las medidas adecuadas para evitar que se caiga o se dañe.**
6. **NUNCA use una linterna para aplicaciones diferentes de las especificadas en el manual de instrucciones.**
7. **Maneje correctamente la linterna.**
Maneje la linterna de acuerdo con las instrucciones ofrecidas aquí. No deje caer ni tire la linterna. **NO** permita **NUNCA** que los niños ni otras personas no autorizadas ni familiarizadas con la operación de la linterna la utilicen.
8. **Mantenga todos los tornillos, pernos, y cubiertas firmemente fijados en su lugar.**
Mantenga todos los tornillos, pernos, y cubiertas firmemente montados. Compruebe periódicamente su condición.

9. **No limpie las partes de plástico con disolvente.**
Los disolventes, como gasolina, diluidor de pintura, bencina, tetracloruro de carbono, y alcohol pueden dañar o rajar las partes de plástico. No las limpie con tales disolventes. Limpie las partes de plástico con un paño suave ligeramente humedecido en agua jabonosa y después séquelas bien.
 10. **No use el producto si la herramienta o los terminales de la batería (el soporte de la batería) están deformados.**
Instalar tal batería podría causar un cortocircuito que podría resultar en emisiones de humo o incendios.
 11. **Mantenga los terminales de la herramienta (soporte de la batería) libres de virutas y polvo.**
 - Antes de su uso, asegúrese de que no se han acumulado virutas ni polvo en la zona de los terminales.
 - Durante el uso, intente evitar que las virutas o el polvo de la herramienta caigan sobre la batería.
 - Al suspender la operación o tras el uso, no deje la herramienta en un área donde pueda estar expuesta a las virutas o al polvo que caen. De lo contrario, podría causar un cortocircuito que podría resultar en emisiones de humo o incendios.
2. Antes de utilizar el cargador de baterías, lea todas las instrucciones y tenga en cuenta las marcas de precaución de (1) el cargador de baterías, (2) la batería, y (3) el producto que utiliza la batería.
 3. Para reducir el riesgo de lesiones, cargue los modelos de batería recargable de metabo HPT de la serie Multi Volt y la serie BSL18. Otros modelos de baterías podrían explotar causando lesiones y daños.
 4. La utilización de un accesorio no recomendado o vendido por el fabricante del cargador de baterías puede resultar en el riesgo de incendios, en descargas eléctricas, o en lesiones.
 5. Para reducir el riesgo de dañar el cable y el enchufe, para desconectar el cable del cargador de baterías, tire del enchufe.
 6. Cerciórese de que el cable quede situado donde no pueda pisarse, donde nadie pueda tropezar con él, y donde no pueda recibir daños.
 7. A menos que sea absolutamente necesario, no deberá utilizarse un cable prolongador. La utilización de un cable prolongador inadecuado podría resultar en el riesgo de incendios y descargas eléctricas. Cuando tenga que utilizar un cable prolongador, cerciórese de que:
 - a. El enchufe del cable prolongador sea igual en tamaño y forma que el del cargador de baterías;
 - b. El cable prolongador esté adecuadamente conectado y en buenas condiciones eléctricas; y
 - c. Que el calibre del cable sea suficiente para el amperaje de CA del cargador de baterías, como se especifica en la Tabla 1.

INSTRUCCIONES IMPORTANTES DE SEGURIDAD PARA EL CARGADOR DE BATERÍAS

⚠ ADVERTENCIA

La utilización inadecuada del cargador de baterías puede resultar en lesiones serias o en la muerte. Para evitar estos riesgos, siga las instrucciones de seguridad ofrecidas a continuación.

LEA TODAS LAS INSTRUCCIONES

1. Este manual contiene instrucciones importantes de seguridad para el cargador de baterías modelo UC18YFSL.

Tabla 1

**CALIBRE (AWG) MÍNIMO RECOMENDADO PARA CABLES PROLONGADORES
PARA EL CARGADOR DE BATERÍAS**

Amperaje nominal de entrada de CA*		Calibre (AWG) del cable			
Igual o superior a	pero inferior a	Longitud del cable, Pies (metros)			
		25 (7.5)	50 (15)	100 (30)	150 (45)
0	2	18	18	18	16
2	3	18	18	16	14
3	4	18	18	16	14

* Si la entrada nominal del cargador de baterías se indica en vatios en vez de amperios, el amperaje nominal correspondiente se determinará dividiendo el vataje por la tensión, por ejemplo:

$$\frac{1,250 \text{ vatios}}{125 \text{ voltios}} = 10 \text{ amperios}$$

8. No utilice el cargador de baterías con un cable o un enchufe dañado. Si están dañados, reemplácelos inmediatamente.
9. No utilice el cargador de baterías si ha recibido un golpe, si ha caído, o si está dañado de alguna otra forma. Llévelo a un técnico cualificado.
10. No desarme el cargador de baterías. Cuando necesite reparación, llévelo a un técnico cualificado. El reensamblaje incorrecto podría resultar en el riesgo de incendios o descargas eléctricas.
11. Para reducir el riesgo de descargas eléctricas, desenchufe el cargador del tomacorriente antes de intentar realizar cualquier operación de mantenimiento o de limpiarlo. La extracción de la batería no reducirá este riesgo.

INSTRUCCIONES IMPORTANTES DE SEGURIDAD PARA LA BATERÍA Y EL CARGADOR DE BATERÍAS

Debe cargar la batería para poder usar la herramienta. Antes de utilizar el cargador de baterías modelo UC18YFSL, cerciórese de leer todas las instrucciones y precauciones del mismo, de la batería, y de este manual.

⚠ PRECAUCIÓN
USE SOLO MODELOS DE BATERÍA DE metabo HPT DE LAS SERIES MULTI VOLT Y BSL18. LOS DEMÁS MODELOS DE BATERÍAS PODRÍAN EXPLOTAR Y CAUSAR LESIONES!

Para evitar el riesgo de lesiones, siga las instrucciones ofrecidas a continuación:

⚠ ADVERTENCIA
La utilización inadecuada de la batería o del cargador de baterías puede conducir a lesiones serias. Para evitar estas lesiones:

1. **NUNCA** desarme la batería.
2. **NUNCA** incinere una batería, aunque esté dañada o completamente agotada.
3. **NUNCA** cortocircuite la batería.
4. **NUNCA** inserte ningún objeto en las ranuras de ventilación del cargador. Si lo hiciese podría recibir descargas eléctricas o dañar el cargador de baterías.
5. **NUNCA** cargue en exteriores. Mantenga la batería alejada de la luz solar directa, y utilícela solamente donde haya poca humedad y una buena ventilación.
6. **NUNCA** cargue cuando la temperatura sea inferior a 32°F (0°C) o superior a 104°F (40°C).
7. **NUNCA** conecte dos cargadores de baterías juntos.
8. **NUNCA** inserte objetos extraños en el orificio para la batería ni en el cargador de baterías.
9. **NUNCA** utilice un transformador elevador para cargar.

10. **NUNCA** utilice una fuente de alimentación de CC para cargar.
11. **NUNCA** almacene la batería ni el cargador de la batería en lugares en los que la temperatura pueda llegar a los 104°F (40°C) o superar dicha temperatura, como dentro de una caja metálica o un auto.
12. **NUNCA** exponga la batería ni el cargador de la batería a condiciones de lluvia a humedad.
13. **SIEMPRE** utilice el cargador con un tomacorriente (120 voltios). La utilización de un cargador con cualquier otra tensión podría hacer que éste se recalentase y dañase.
14. **SIEMPRE** espere 15 minutos por lo menos entre las cargas para evitar que el cargador se recaliente.
15. **SIEMPRE** desconecte el cable de alimentación del tomacorriente cuando no vaya a utilizar el cargador.

ADVERTENCIA DE LA BATERÍA DE LITIO

Para ampliar su duración, la batería de litio está equipada con la función de protección para detener la salida.

En los casos del 1 al 3 descritos más abajo, cuando utilice este producto, incluso si el interruptor está encendido, es posible que la lámpara no se encienda. No es un problema, sino el resultado de la función de protección.

1. Cuando la batería se agota, la lámpara se apaga.
En este caso, cárguela inmediatamente.
2. Si la herramienta se sobrecarga, la lámpara puede apagarse. En este caso, suelte el interruptor de la herramienta y elimine las causas de la sobrecarga. A continuación, puede volverla a utilizar.
3. Si la batería se calienta excesivamente al realizar un trabajo de sobrecarga, la potencia de la batería podría pararse.
En este caso, deje de utilizar la batería y deje que se enfríe. Posteriormente puede utilizarla de nuevo.

Asimismo, preste atención a las siguientes advertencias y precauciones.

⚠ ADVERTENCIA

Para evitar fugas de la batería, generación de calor, emisión de humo, explosiones e igniciones, preste atención a las siguientes precauciones.

1. Asegúrese de que no entran virutas o polvo en la batería.
 - Durante el trabajo, asegúrese de que no caen virutas o polvo en la batería.
 - Asegúrese de que las virutas y el polvo que caigan sobre la herramienta durante el trabajo no entren en la batería.
 - No almacene una batería sin utilizar en un lugar expuesto a virutas y polvo.
 - Antes de almacenar una batería, retire las virutas y el polvo que se haya adherido y no la almacene junto a piezas metálicas (tornillos, clavos, etc.).
2. No agujeree la batería con un objeto afilado como un clavo, no la golpee con un martillo, la pise, la tire o la esponga a fuertes impactos físicos.
3. No utilice una batería que pudiera estar dañada o deformada.
4. No utilice la batería con las polaridades cambiadas.
5. No conecte la batería directamente a salidas eléctricas o a los encendedores de cigarrillos de los coches.
6. No utilice la batería para un fin diferente a los especificados.
7. Si la carga de la batería no finaliza incluso cuando ha transcurrido un determinado tiempo de recarga, detenga inmediatamente la recarga.
8. No coloque o exponga la batería a temperaturas elevadas o alta presión como en un microondas, una secadora o un contenedor de gran presión.
9. Aléjela del fuego inmediatamente cuando se detecte una fuga o un olor raro.
10. No la utilice en un lugar donde se genere gran electricidad estática.
11. Si hay una fuga de la batería, mal olor, se genera color, está descolorida o deformada, o de algún modo funciona de forma anormal durante su utilización, recarga o almacenamiento, retírela inmediatamente del equipo o del cargador de la batería y detenga su utilización.

12. No sumerja la batería ni permita que fluidos entren en ella. La entrada de líquidos conductores, como el agua, puede provocar daños que resulten en incendios o explosiones. Guarde la batería en un lugar fresco y seco, alejado de los materiales combustibles e inflamables. Las atmósferas con gases corrosivos deben ser evitadas.

⚠️ PRECAUCIÓN

- Si el líquido de fuga de la batería entra en contacto con los ojos, no se los frote y lávelos bien con agua limpia como, por ejemplo, agua del grifo y póngase en contacto con un médico inmediatamente.
Si no se trata, el líquido podría causar problemas de visión.
- Si el líquido de fuga entra en contacto con la piel o la ropa, lávela bien con agua limpia como, por ejemplo, agua del grifo inmediatamente. Podría producir irritación de la piel.
- Si observa óxido, mal olor, recalentamiento, decoloración, deformación y/u otras irregularidades al utilizar la batería por primera vez, no la utilice y devuélvasela a su proveedor o distribuidor.

⚠️ ADVERTENCIA

Si un objeto extraño conductor de electricidad entra en los terminales de la batería de litio, podría producirse un cortocircuito, resultando en un riesgo de incendio. Por favor, respete los siguientes consejos cuando almacene la batería.

- **No coloque cortes conductivos, clavos, cables de acero, cables de cobre u otros cables en la caja de almacenamiento.**
- **Instale la batería en la herramienta o guárdela presionando con firmeza la cubierta de la batería hasta que los orificios de ventilación queden ocultos para evitar cortocircuitos (ver Fig. 3).**

A PROPÓSITO DEL TRANSPORTE DE LA BATERÍA DE IONES DE LITIO

Al transportar una batería de iones de litio, tenga en cuenta las siguientes precauciones.

⚠️ ADVERTENCIA

Notifique a la compañía de transporte que un paquete contiene una batería de iones de litio, informe a la compañía eléctrica de su potencia de salida y siga las instrucciones de la compañía de transporte al preparar su transporte.

- **Las baterías de iones de litio que superen una potencia de salida de 100 Wh se considera que son materiales peligrosos en la Clasificación de Transporte y requieren procedimientos de aplicación especiales.**
- **Para el transporte en el extranjero, deberá cumplir con las leyes internacionales y las normas y regulaciones del país de destino.**

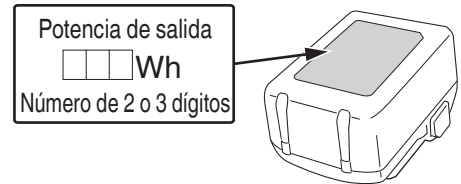


Fig. 1

**¡GUARDE ESTAS INSTRUCCIONES
Y
PÓNGALAS A DISPOSICIÓN DE OTROS
USUARIOS PROPIETARIOS DE
ESTA LINTERNA!**

DESCRIPCIÓN FUNCIONAL

NOTA

La información contenida en este Manual de instrucciones ha sido diseñada para ayudar a utilizar con seguridad y mantener esta linterna.

NUNCA haga funcionar ni efectúe el mantenimiento de la linterna antes de leer y comprender todas las instrucciones de seguridad contenidas en este manual.

Algunas ilustraciones de este Manual de Instrucciones pueden mostrar detalles o accesorios diferentes a los de la propia linterna.

NOMENCLATURA

1. Linterna inalámbrica (UB18DH)

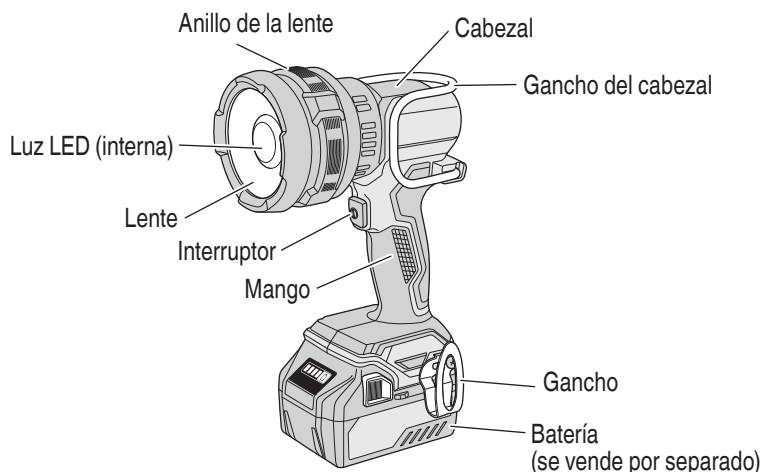


Fig. 2

2. Batería (accesorios opcionales...de venta por separado)

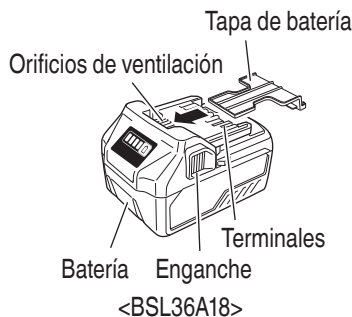


Fig. 3

3. Cargador de baterías (accesorios opcionales...de venta por separado)

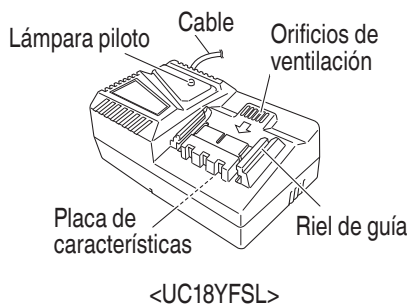


Fig. 4

ESPECIFICACIONES

1. Linterna inalámbrica

Modelo		UB18DH		
Brillo		1,050 lm*1		
LED (blanco)		10 W		
Tiempo de funcionamiento, aprox. (con la batería totalmente cargada)*2		3.0 Ah	5.0 Ah	8.0 Ah
	Alta	Aprox. 4.5 horas	Aprox. 8 horas	Aprox. 12.5 horas
	Media	Aprox. 7 horas	Aprox. 12 horas	Aprox. 19 horas
	Baja	Aprox. 14.5 horas	Aprox. 24 horas	Aprox. 38.5 horas
	Estroboscópico	Aprox. 9.5 horas	Aprox. 15.5 horas	Aprox. 25 horas
Batería	Tipo	Batería Li-ion tipo Multi Volt, y serie BSL18		
	Tensión	CC 18 V		
Peso (sin batería)		1.8 lbs. (0.8 kg)		

*1 En modo amplio y establecido en Alto.

*2 Los tiempos de funcionamiento mostrados son solo valores de referencia.

El tiempo real varía en función del tipo y el estado de carga de la batería, las condiciones de uso, etc.

2. Cargador de baterías

Modelo	UC18YFSL
Fuente de alimentación de entrada	Monofásica: AC 120 V 60 Hz
Tiempo de carga (A una temperatura de 68°F (20°C))	BSL36A18: Aprox. 75 min
Tensión de carga	14.4 V–18 V CC
Corriente de carga	CC 3.5 A
Peso	1.1 lbs. (0.5 kg)

NOTA: El tiempo de carga pueda variar de acuerdo con la temperatura y la tensión de la fuente de alimentación.

MONTAJE Y OPERACIÓN

APLICACIONES

Iluminación del lugar de trabajo

MÉTODO DE EXTRACCIÓN E INSTALACIÓN DE LA BATERÍA

- Forma de instalar la batería. Insértela siempre al máximo, hasta que se bloquee en su sitio con un pequeño clic. (Fig. 5-a).

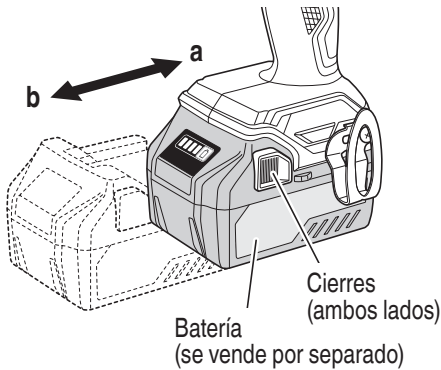


Fig. 5

- Forma de extraer la batería. Mientras presiona los 2 cierres (uno en cada lado), deslicela y jale de ella. (Fig. 5-b)

NOTA

Si entra agua o polvo en el cuerpo de la herramienta o en los terminales de la batería, puede producirse un fallo.

MÉTODO DE CARGA

NOTA

Antes de enchufar el cargador en un tomacorriente, tenga en cuenta los puntos siguientes.

- La tensión de la fuente de alimentación está indicada en la placa de características.
- El cable no deberá estar dañado.

⚠ ADVERTENCIA

No cargue con una tensión superior a la indicada en la placa de características. Si cargase con una tensión superior a la indicada en la placa de características, el cargador se quemaría.

1. Conecte el cable de alimentación del cargador a una toma. Cuando el cable de alimentación esté conectado, el testigo indicador de carga parpadeará en color rojo. (A intervalos de 1 segundo)



⚠ ADVERTENCIA

No utilice el cargador si su cable está dañado. Haga que se lo reparen inmediatamente.

2. Inserte la batería en el cargador de baterías. Inserte la batería en el cargador de baterías como muestra en la Fig 6.

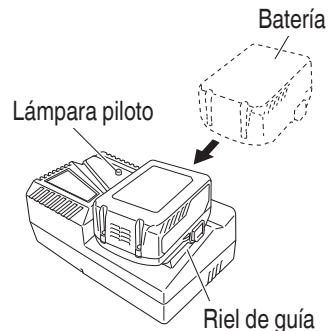







Fig. 6

3. Carga
 Cuando inserte una batería en el cargador, la lámpara piloto permanecerá encendida en rojo. Cuando la batería se haya cargado completamente, la lámpara piloto parpadeará en rojo. (A intervalos de 1 segundo). (Consulte la Tabla 2).
- (1) Indicaciones de la lámpara
 Las indicaciones de la lámpara piloto serán tal y como se muestran en la Tabla 2, de acuerdo con la condición del cargador de baterías o de la batería.

Tabla 2

Indicaciones de la lámpara indicadora			
Lámpara piloto (rojo)	Antes de la carga	Parpadeo	Se encenderá durante 0.5 segundos. No se encenderá durante 0.5 segundos. (Apagada durante 0.5 segundos) 
	Durante la carga	Iluminación	Iluminación permanente 
	Carga completa	Parpadeo	Se encenderá durante 0.5 segundos. No se encenderá durante 0.5 segundos. (Apagada durante 0.5 segundos) 
	Espera por recalentamiento	Parpadeo	Se encenderá durante 1 segundo. No se encenderá durante 0.5 segundos. (Apagada durante 0.5 segundos) 
	Carga imposible	Destello	Se encenderá durante 0.1 segundos. No se encenderá durante 0.1 segundos. (Apagada durante 0.1 segundos) 
			Batería recalentada. No puede cargarse (la carga comenzará cuando la batería se enfríe).
			Mal funcionamiento de la batería o del cargador

- (2) Temperatura de las baterías.
 La temperatura de las baterías se muestra en la Tabla 3, y las baterías que se hayan calentado deberán dejarse enfriar durante cierto tiempo antes de cargarlas.

Tabla 3

Baterías	Temperatura con la que podrá cargarse la batería
BSL36A18	32°F–122°F (0°C–50°C)

- (3) Tiempo de carga (A 68°F (20°C))

Tabla 4 Tiempo de carga

Cargador	UC18YFSL
Batería	
BSL36A18	Aprox. 75 min

NOTA

El tiempo de recarga puede variar de acuerdo con la temperatura ambiental.

4. Desconecte el cargador de baterías del tomacorriente.

⚠ PRECAUCIÓN

No desconecte el cable del tomacorriente tirando del mismo. Cerciérese de tirar del enchufe para desconectarlo del tomacorriente a fin de evitar dañar el cable.

5. Extraiga la batería del cargador de baterías. Sujutando el cargador de baterías con una mano, extraiga la batería del mismo.

NOTA

Asegúrese de extraer la batería del cargador de baterías después del uso, y guárdela después.

Descarga eléctrica en caso de baterías nuevas, etc.

Como la substancia química interna de las baterías nuevas o las que no se hayan utilizado durante mucho tiempo no está activada, la descarga eléctrica puede ser inferior cuando se utilicen por primera y segunda vez. Este fenómeno es temporal, y el tiempo normal requerido para la recarga se restablecerá recargando las baterías 2-3 veces.

Forma de hacer que las baterías duren más

- (1) Recargue las baterías antes de que se hayan agotado completamente. Si siente que la potencia de la herramienta eléctrica se debilita, deje de utilizarla y recargue su batería. Si continuase utilizando la herramienta hasta agotar la capacidad de la batería, ésta podría dañarse y su duración útil podría acortarse.
- (2) Evite realizar la recarga a altas temperaturas. Una batería se calentará inmediatamente después de haberla utilizado. Si recargase tal batería inmediatamente después de haberla utilizado, su substancia química interna se deterioraría, y la duración útil de la batería se acortaría. Deje la batería y recárguela después de que se haya enfriado durante cierto tiempo.

⚠ PRECAUCIÓN

- Si utiliza continuamente el cargador de baterías, éste se calentará, lo que puede causar averías. Después de haber finalizado la carga, espere 15 minutos antes de realizar la carga siguiente.
- Si carga la batería mientras está caliente por haber estado mucho tiempo en un lugar sometido a la luz solar directa, o por haber acabado de utilizarla, la lámpara de piloto del cargador parpadea durante 1 segundo y no se enciende durante 0.5 segundos (apagada durante 0.5 segundos). La batería no se cargará. En tal caso, deje que la batería se enfríe antes de cargarla.

- Cuando la lámpara piloto destelle (a intervalos de 0.2 segundos), realice una comprobación y extraiga los objetos extraños de la batería del cargador. Si no hay ningún objeto extraño, es posible que la batería o el cargador funcione mal. Llévelos a un agente de servicio técnico autorizado.

INSTRUCCIONES DE USO

1. Encendido de la lámpara
Presione el interruptor para encender la lámpara. (Fig. 7)

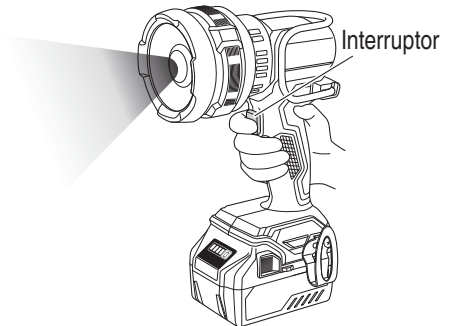


Fig. 7

2. Brillo (alto/medio/bajo)
El brillo del LED se puede ajustar en tres niveles. Cada vez que se presiona el interruptor, el LED cambia entre "Alto" → "Medio" → "Bajo" → "Apagado".
3. Cambiar modo de operación (modo de punto/amplio)
Recoloque el anillo de la lente para cambiar el modo de operación. El modo de punto es una función que concentra la luz para ofrecer iluminación de largo alcance. (Fig. 8-a)
El modo amplio es una función que dispersa la luz para iluminar adecuadamente el entorno. (Fig. 8-b)

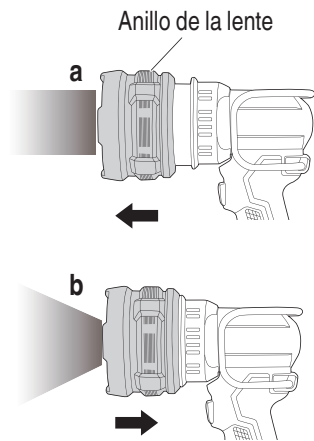


Fig. 8

4. **Modo estroboscópico**
Mantenga presionado el interruptor para cambiar al modo estroboscópico (parpadeo). (Fig. 9)
En Modo estroboscópico, pulse el interruptor para apagar la luz.
En Modo estroboscópico, mantenga pulsado el interruptor para desactivar el Modo estroboscópico.

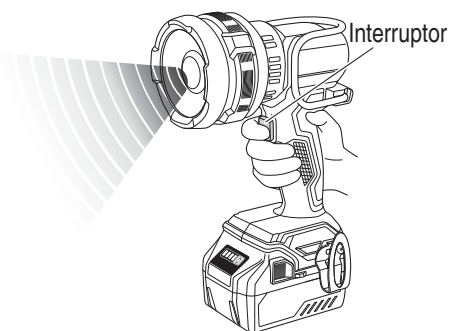


Fig. 9

5. **Función de notificación de batería baja**
Mientras la luz está encendida, cuando queda poca batería y el tiempo de iluminación restante es de 10 minutos o menos, la luz LED parpadea repetidamente 3 veces por minuto. (Fig. 10)
En el modo estroboscópico, la función de notificación de batería baja no se activa.

El tiempo de iluminación restante varía en función del ajuste del brillo de la luz y del tipo y estado de la batería, de modo que solo es una estimación.

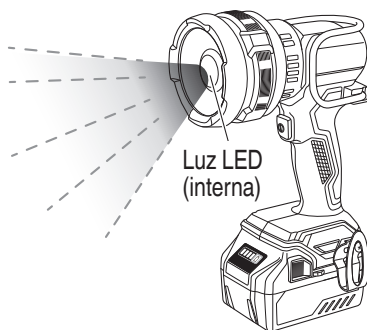


Fig. 10

NOTA

Cuando utilice una batería de voltio múltiple, consulte el indicador luminoso de la batería para conocer la carga restante.

6. **Cambio del ángulo de la lámpara**
El ángulo vertical puede cambiarse 90°. (Fig. 11)

⚠ PRECAUCIÓN

Al cambiar el ángulo del cabezal, tenga cuidado de no pillarse los dedos entre el cabezal y el asidero.

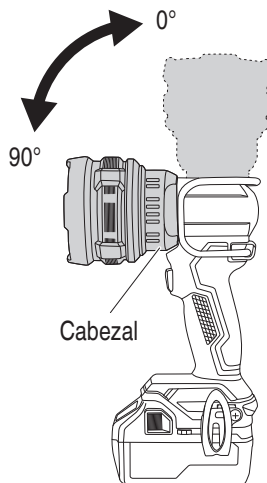


Fig. 11

7. Cómo colgar la linterna para usarla
Cuando use la linterna colgada de un gancho, cuélguela de un objeto estable y resistente. (Fig. 12)



Fig. 12

MANTENIMIENTO E INSPECCIÓN

⚠ ADVERTENCIA

Quando vaya a transcurrir mucho tiempo sin que use la linterna, cuando vaya a realizar operaciones de mantenimiento en ella, cuando vaya a inspeccionarla o cuando vaya a guardarla, asegúrese de apagar el interruptor y de jalar la batería.

1. Comprobación de los tornillos
Los tornillos son peligrosos. Inspecciónelos regularmente y cerciórese de que estén bien apretados.

⚠ ADVERTENCIA

La utilización de una linterna con tornillos flojos es extremadamente peligrosa.

2. Comprobación del polvo
El polvo podrá eliminarse con un paño suave y seco o ligeramente humedecido en agua jabonosa.
No utilice lejía, cloro, gasolina, ni diluidor de pintura, porque podrían dañar el plástico.

3. Inspección de los terminales (herramienta y batería)
Compruebe para asegurarse de que no se han acumulado virutas ni polvo en los terminales. En ocasiones verifique antes, durante y después de la operación.

⚠ PRECAUCIÓN

Retire las virutas o el polvo que pudiera haberse acumulado en los terminales. De lo contrario puede producirse un fallo en el funcionamiento.

4. Eliminación de las baterías agotadas

ADVERTENCIA

No tire las baterías agotadas. Las baterías pueden explotar si se incineran. La batería es reciclable. Cuando se agote su duración útil, de acuerdo con las leyes estatales y locales, puede ser ilegal tirar esta batería a la basura. Solicite a las autoridades locales los detalles sobre las opciones de reciclado o de la forma de deshacerse apropiadamente de la batería.

5. Almacenamiento
Guarde la herramienta en un lugar con menos de 104°F (40°C) y fuera del alcance de niños.

NOTA

Almacenar baterías de ion-litio
Compruebe que las baterías de ion-litio se han cargado completamente antes de almacenarlas.

Un almacenamiento prolongado de las baterías (3 meses o más) con carga baja podría deteriorar su funcionamiento, reduciendo en gran medida el tiempo de uso de la batería o haciendo que las baterías no puedan mantener una carga.

Si el tiempo de uso de la batería es extremadamente corto a pesar de haber cargado y utilizado la batería varias veces, deberá considerarla agotada y comprar una nueva.

6. Mantenimiento y reparación
Toda linterna de calidad requiere de vez en cuando el servicio de mantenimiento o el reemplazo de piezas debido a desgaste producido durante la utilización normal. Para asegurarse de que solamente se utilicen piezas de reemplazo autorizadas, todos los servicios de mantenimiento y reparación deberán realizarse SOLAMENTE EN UN CENTRO DE REPARACIONES AUTORIZADO POR metabo HPT.

PRECAUCIÓN

En el manejo y el mantenimiento de la linterna, se deberán observar las normas y reglamentos vigentes en cada país.

Aviso importante sobre las pilas de las herramientas inalámbricas de metabo HPT

Utilice siempre una de nuestras pilas genuinas. No podemos garantizar la seguridad y el funcionamiento de nuestra herramienta eléctrica inalámbrica cuando se utiliza con pilas diferentes a las indicadas por nosotros o cuando la pila se desmonta y modifica (como cuando se desmontan y sustituyen celdas u otras piezas internas).

ACCESORIOS

⚠️ ADVERTENCIA

UTILICE únicamente repuestos y accesorios autorizados por metabo HPT. No utilice NUNCA repuestos o accesorios no previstos para usar con esta linterna. Si tiene dudas en cuanto a la seguridad de usar determinado repuesto o accesorio junto con su linterna, póngase en contacto con metabo HPT.

La utilización de otros accesorios o elementos puede ser peligrosa y podría causar lesiones o daños mecánicos.

NOTA

Las especificaciones están sujetas a cambio sin ninguna obligación por parte de metabo HPT.

ACCESORIOS ESTÁNDAR

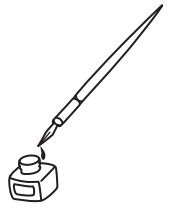
UB18DH (NN)	La batería, el cargador de baterías y la funda de la batería no se incluyen.
----------------	--

ACCESORIOS OPCIONALES.....de venta por separado

- (1) Batería (BSL1830C / BSL1850C / BSL36A18 / BSL36B18 / BSL36C18)
- (2) Cargador de baterías (UC18YFSL / UC18YKSL / UC18YSL3)
- (3) Tapa de batería (Núm. de código 329897)
- (4) Cinta de transporte (Núm. de código 336558)

NOTA

Las especificaciones están sujetas a cambio sin ninguna obligación por parte de metabo HPT.





Please contact Koki Holdings America Ltd.
at 1-800-59-TOOLS (toll free), or metabo HPT
AUTHORIZED POWER TOOL SERVICE
CENTER regarding COLLECTION.



Pour le RAMASSAGE, contacter Koki Holdings
America Ltd. au 1-800-59-TOOLS (appel gratuit),
ou UN SERVICE APRÈS-VENTE D'OUTILS
ÉLECTRIQUE AGRÉÉ PAR metabo HPT.



Con respecto a la RECOLECCIÓN de baterías,
póngase en contacto con Koki Holdings America
Ltd. número 1-800-59-TOOLS (llamada gratis),
o con metabo HPT AUTHORIZED POWER TOOL
SERVICE CENTER.

Issued by

Koki Holdings Co., Ltd.

Shinagawa Intercity Tower A, 15-1, Konan 2-chome,
Minato-ku, Tokyo 108-6020, Japan

Distributed by

Koki Holdings America Ltd.

1111 Broadway Ave,
Braselton, Georgia, 30517

Koki Holdings America Ltd. Canadian Branch

3405 American Drive, Units 9-10,
Mississauga, ON, L4V 1T6