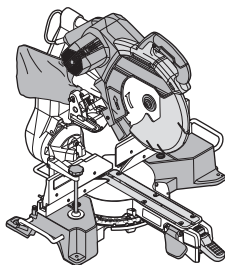


Model
Modèle
Modelo

C 12RSH3

(LED Light Equipment)
(Équipement de la DEL
d'éclairage)
(Equipo de iluminación LED)

Slide Compound Miter Saw
Scie à coupe d'onglet radiale
Tronzadora radial abatible



SAFETY INSTRUCTIONS AND INSTRUCTION MANUAL

WARNING

IMPROPER OR UNSAFE use of this power tool can result in death or serious bodily injury! This manual contains important information about product safety. Please read and understand this manual **BEFORE** operating the power tool. Please keep this manual available for other users and owners before they use the power tool. This manual should be stored in safe place.

INSTRUCTIONS DE SECURITE ET MODE D'EMPLOI

AVERTISSEMENT

Une utilisation **INCORRECTE OU DANGEREUSE** de cet outil motorisé peut entraîner la mort ou de sérieuses blessures corporelles!

Ce mode d'emploi contient d'importantes informations à propos de la sécurité de ce produit. Prière de lire et de comprendre ce mode d'emploi **AVANT** d'utiliser l'outil motorisé. Garder ce mode d'emploi à la disponibilité des autres utilisateurs et propriétaires avant qu'ils utilisent l'outil motorisé. Ce mode d'emploi doit être conservé dans un endroit sûr.

INSTRUCCIONES DE SEGURIDAD Y MANUAL DE INSTRUCCIONES

ADVERTENCIA

¡La utilización **INAPROPIADA O PELIGROSA** de esta herramienta eléctrica puede resultar en lesiones de gravedad o la muerte!
Este manual contiene información importante sobre la seguridad del producto. Lea y comprenda este manual **ANTES** de utilizar la herramienta eléctrica. Guarde este manual para que puedan leerlo otras personas antes de utilizar la herramienta eléctrica. Este manual debe ser guardado en un lugar seguro.



DOUBLE INSULATION
DOUBLE ISOLATION
AISLAMIENTO DOBLE

IMPORTANT SAFETY INSTRUCTIONS

Read and understand all of the safety precautions, warnings and operating instructions in the Instruction Manual before operating or maintaining this power tool.

Most accidents that result from power tool operation and maintenance are caused by the failure to observe basic safety rules or precautions. An accident can often be avoided by recognizing a potentially hazardous situation before it occurs, and by observing appropriate safety procedures.

Basic safety precautions are outlined in the "SAFETY" section of this Instruction Manual and in the sections which contain the operation and maintenance instructions.

Hazards that must be avoided to prevent bodily injury or machine damage are identified by WARNINGS on the power tool and in this Instruction Manual.

NEVER use this power tool in a manner that has not been specifically recommended by metabo HPT.





MEANINGS OF SIGNAL WORDS

WARNING indicates a potentially hazardous situations which, if ignored, could result in death or serious injury.

CAUTION indicates a potentially hazardous situations which, if not avoided, may result in minor or moderate injury, or may cause machine damage.

NOTE emphasizes essential information.

MEANINGS OF SYMBOLS

Symbols			
The following show symbols used for the machine. Be sure that you understand their meaning before use.			
	WARNING To reduce the risk of injury, user must read instruction manual.		WARNING Always wear eye protection.
	CAUTION Do not stare at operating lamp.		WARNING Always wear hearing protection.

SAFETY

GENERAL POWER TOOL SAFETY WARNINGS

WARNING

Read all safety warnings, instructions, illustrations and specifications provided with this power tool.

Failure to follow all instructions listed below may result in electric shock, fire and/or serious injury.

Save all warnings and instructions for future

reference.

The term "power tool" in the warnings refers to your mains-operated (corded) power tool or battery-operated (cordless) power tool.

- 1) **Work area safety**
 - a) **Keep work area clean and well lit.**

- Cluttered or dark areas invite accidents.
- b) **Do not operate power tools in explosive atmospheres, such as in the presence of flammable liquids, gases or dust.**
Power tools create sparks which may ignite the dust or fumes.
 - c) **Keep children and bystanders away while operating a power tool.**
Distractions can cause you to lose control.
- 2) **Electrical safety**
- a) **Power tool plugs must match the outlet. Never modify the plug in any way. Do not use any adapter plugs with earthed (grounded) power tools.**
Unmodified plugs and matching outlets will reduce risk of electric shock.
 - b) **Avoid body contact with earthed or grounded surfaces, such as pipes, radiators, ranges and refrigerators.**
There is an increased risk of electric shock if your body is earthed or grounded.
 - c) **Do not expose power tools to rain or wet conditions.**
Water entering a power tool will increase the risk of electric shock.
 - d) **Do not abuse the cord. Never use the cord for carrying, pulling or unplugging the power tool. Keep cord away from heat, oil, sharp edges or moving parts.**
Damaged or entangled cords increase the risk of electric shock.
 - e) **When operating a power tool outdoors, use an extension cord suitable for outdoor use.**
Use of a cord suitable for outdoor use reduces the risk of electric shock.
 - f) **If operating a power tool in a damp location is unavoidable, use a residual current device (RCD) protected supply.**
Use of an RCD reduces the risk of electric shock.
- 3) **Personal safety**
- a) **Stay alert, watch what you are doing and use common sense when operating a power tool. Do not use a power tool while you are tired or under the influence of drugs, alcohol or medication.**
A moment of inattention while operating power tools may result in serious personal injury.
 - b) **Use personal protective equipment. Always wear eye protection.**
Protective equipment such as a dust mask, non-skid safety shoes, hard hat, or hearing protection used for appropriate conditions will reduce personal injuries.
 - c) **Prevent unintentional starting. Ensure the switch is in the off-position before connecting to power source and/or battery pack, picking up or carrying the tool.**
Carrying power tools with your finger on the switch or energising power tools that have the switch on invites accidents.
 - d) **Remove any adjusting key or wrench before turning the power tool on.**
A wrench or a key left attached to a rotating part of the power tool may result in personal injury.
 - e) **Do not overreach. Keep proper footing and balance at all times.**
This enables better control of the power tool in unexpected situations.
 - f) **Dress properly. Do not wear loose clothing or jewellery. Keep your hair and clothing away from moving parts.**
Loose clothes, jewellery or long hair can be caught in moving parts.
 - g) **If devices are provided for the connection of dust extraction and collection facilities, ensure these are connected and properly used.**
Use of dust collection can reduce dust-related hazards.
 - h) **Do not let familiarity gained from frequent use of tools allow you to become complacent and ignore tool safety principles.**
A careless action can cause severe injury within a fraction of a second.
- 4) **Power tool use and care**
- a) **Do not force the power tool. Use the correct power tool for your application.**
The correct power tool will do the job better and safer at the rate for which it was designed.
 - b) **Do not use the power tool if the switch does not turn it on and off.**
Any power tool that cannot be controlled with the switch is dangerous and must be repaired.
 - c) **Disconnect the plug from the power source and/or remove the battery pack, if detachable, from the power tool before making any adjustments, changing accessories, or storing power tools.**
Such preventive safety measures reduce the risk of starting the power tool accidentally.
 - d) **Store idle power tools out of the reach of children and do not allow persons unfamiliar with the power tool or these instructions to operate the power tool.**
Power tools are dangerous in the hands of untrained users.

- e) **Maintain power tools and accessories. Check for misalignment or binding of moving parts, breakage of parts and any other condition that may affect the power tool's operation.**
If damaged, have the power tool repaired before use.
Many accidents are caused by poorly maintained power tools.
- f) **Keep cutting tools sharp and clean.**
Properly maintained cutting tools with sharp cutting edges are less likely to bind and are easier to control.
- g) **Use the power tool, accessories and tool bits etc. in accordance with these instructions, taking into account the working conditions and the work to be performed.**
Use of the power tool for operations different from those intended could result in a hazardous situation.
- h) **Keep handles and grasping surfaces dry, clean and free from oil and grease.**
Slippery handles and grasping surfaces do not allow for safe handling and control of the tool in unexpected situations.
- 5) **Service**
a) **Have your power tool serviced by a qualified repair person using only identical replacement parts.**
This will ensure that the safety of the power tool is maintained.

PRECAUTION

Keep children and infirm persons away.

When not in use, tools should be stored out of reach of children and infirm persons.

SAFETY INSTRUCTIONS FOR MITER SAWS

- Miter saws are intended to cut wood or wood-like products, they cannot be used with abrasive cut-off wheels for cutting ferrous material such as bars, rods, studs, etc.**
Abrasive dust causes moving parts such as the lower guard to jam. Sparks from abrasive cutting will burn the lower guard, the kerf insert and other plastic parts.
- Use clamps to support the workpiece whenever possible. If supporting the workpiece by hand, you must always keep your hand at least 100 mm from either side of the saw blade. Do not use this saw to cut pieces that are too small to be securely clamped or held by hand.**
If your hand is placed too close to the saw blade, there is an increased risk of injury from blade contact.
- The workpiece must be stationary and clamped or held against both the fence and the table. Do not feed the workpiece into the blade or cut "freehand" in any way.**
Unrestrained or moving workpieces could be thrown at high speeds, causing injury.
- Push the saw through the workpiece. Do not pull the saw through the workpiece. To make a cut, raise the saw head and pull it out over the workpiece without cutting, start the motor, press the saw head down and push the saw through the workpiece.**
Cutting on the pull stroke is likely to cause the saw blade to climb on top of the workpiece and violently throw the blade assembly towards the operator.
- Never cross your hand over the intended line of cutting either in front or behind the saw blade.**
Supporting the workpiece "cross handed" i.e. holding the workpiece to the right of the saw blade with your left hand or vice versa is very dangerous.
- Do not reach behind the fence with either hand closer than 100 mm from either side of the saw blade, to remove wood scraps, or for any other reason while the blade is spinning.**
The proximity of the spinning saw blade to your hand may not be obvious and you may be seriously injured.
- Inspect your workpiece before cutting. If the workpiece is bowed or warped, clamp it with the outside bowed face toward the fence. Always make certain that there is no gap between the workpiece, fence and table along the line of the cut.**
Bent or warped workpieces can twist or shift and may cause binding on the spinning saw blade while cutting. There should be no nails or foreign objects in the workpiece.
- Do not use the saw until the table is clear of all tools, wood scraps, etc., except for the workpiece.**
Small debris or loose pieces of wood or other objects that contact the revolving blade can be thrown with high speed.
- Cut only one workpiece at a time.**
Stacked multiple workpieces cannot be adequately clamped or braced and may bind on the blade or shift during cutting.
- Ensure the miter saw is mounted or placed on a level, firm work surface before use.**
A level and firm work surface reduces the risk of the miter saw becoming unstable.

11. **Plan your work.** Every time you change the bevel or miter angle setting, make sure the adjustable fence is set correctly to support the workpiece and will not interfere with the blade or the guarding system.

Without turning the tool "ON" and with no workpiece on the table, move the saw blade through a complete simulated cut to assure there will be no interference or danger of cutting the fence.

12. **Provide adequate support such as table extensions, saw horses, etc. for a workpiece that is wider or longer than the table top.**

Workpieces longer or wider than the miter saw table can tip if not securely supported. If the cut-off piece or workpiece tips, it can lift the lower guard or be thrown by the spinning blade.

13. **Do not use another person as a substitute for a table extension or as additional support.**

Unstable support for the workpiece can cause the blade to bind or the workpiece to shift during the cutting operation pulling you and the helper into the spinning blade.

14. **The cut-off piece must not be jammed or pressed by any means against the spinning saw blade.**

If confined, i.e. using length stops, the cut-off piece could get wedged against the blade and thrown violently.

15. **Always use a clamp or a fixture designed to properly support round material such as rods or tubing.**

Rods have a tendency to roll while being cut, causing the blade to "bite" and pull the work with your hand into the blade.

16. **Let the blade reach full speed before contacting the workpiece.**

This will reduce the risk of the workpiece being thrown.

17. **If the workpiece or blade becomes jammed, turn the miter saw off. Wait for all moving parts to stop and disconnect the plug from the power source and/or remove the battery pack. Then work to free the jammed material.**

Continued sawing with a jammed workpiece could cause loss of control or damage to the miter saw.

18. **After finishing the cut, release the switch, hold the saw head down and wait for the blade to stop before removing the cut-off piece.**

Reaching with your hand near the coasting blade is dangerous.

19. **Hold the handle firmly when making an incomplete cut or when releasing the switch before the saw head is completely in the down position.**

The braking action of the saw may cause the saw head to be suddenly pulled downward, causing a risk of injury.

SPECIFIC SAFETY RULES FOR USE OF THIS POWER TOOL


WARNING

The following specific operating instructions must be observed when using this POWER TOOL in order to avoid injury:

DO's

ALWAYS OBSERVE THE FOLLOWING RULES TO ASSURE SAFE USE OF THIS TOOL:

1. Review this Manual and familiarize yourself with the safety rules and operating instructions for this POWER TOOL before attempting to use it.
2. Remove all packing materials attached or connected to the tool before attempting to operate it.
3. Always confirm that the POWER TOOL is clean before using it.
4. Always wear snug-fitting clothing, non-skid footwear (preferably with steel toes) and eye protection when operating the POWER TOOL.
5. Always handle the POWER TOOL carefully. If the POWER TOOL falls or strikes against a hard object, it might become deformed or cracked or sustain other damage.
6. Always cease operating the saw at once, if you notice any abnormality whatsoever.
7. Always confirm that all components are mounted properly and securely before using the tool.
8. When replacing the saw blade, always confirm that the rpm rating of the new blade is correct for use on this tool.
9. Always shut off the power and wait for the saw blade to completely stop rotating before doing any maintenance or adjustments.
10. During slide cutting, always push the saw blade away from the operator.
11. Always clamp or otherwise secure the workpiece to the fence; otherwise the workpiece might be thrust from the table and cause bodily harm.
12. During miter or bevel cutting, always wait for the rotation of the blade to stop completely before lifting the saw blade.
13. Always make a trial run first before attempting any new use of the saw.

14. Always handle the saw blade with care when dismounting and mounting it.
 15. Always confirm that the workpiece is free of nails or other foreign objects before beginning a cut.
 16. Always keep your hands out of the path of the saw blade.
 17. Always confirm that the lower guard is in the proper place before using the saw.
 18. Always confirm that the lower guard does not obstruct the sliding motion of the saw before attempting slide cutting.
 19. Inspect the tool power cords periodically.
 20. Always confirm that the proper lengths and types of extension cords are being utilized, if necessary, before starting the tool.
 21. Always confirm that the motor air vents are fully open before using the tool.
 22. Always wait until the motor has reached full speed before starting a cut.
 23. Always keep the handles dry, clean and free of oil and grease. Hold the tool firmly when in use.
 24. Always use outboard stands to provide support for long workpieces that overhang the table of the slide compound miter saw.
 25. Always operate the tool after ensuring the workpiece is fixed properly with a vise assembly.
 26. The operating instructions provided with the tool shall direct the user to secure the tool to supporting structure if, during normal operation, there is a tendency for the tool to tip over, slide, or walk on the supporting surface.
 27. Ensure before each cut that the machine is stable.
 28. If the saw blade should become jammed, switch the machine off and hold the workpiece until the saw blade comes to a complete stop. To prevent kickback, the workpiece may not be moved until after the machine has come to a complete stop. Correct the cause for the jamming of the saw blade before restarting the machine.
 29. Use only saw blades that are marked with a maximum permitted speed equal or higher than the no-load speed marked on the POWER TOOL.
 30. Use only a saw blade diameter in accordance with the markings on the POWER TOOL.
 31. Replace the table insert when worn.
- DON'Ts**
- NEVER VIOLATE THE FOLLOWING RULES TO ASSURE SAFE USE OF THIS TOOL:**
1. Never operate the POWER TOOL unless you fully understand the operating instructions contained in this Manual.
 2. Never leave the POWER TOOL unattended without first unplugging the power cord.
 3. Never operate the POWER TOOL when you are tired, after you have taken any medications, or have consumed any alcoholic beverages.
 4. Never use the POWER TOOL for applications not specified in the instruction manual.
 5. Never operate the tool while wearing loose clothing, a necktie or jewelry, or while your hair is uncovered, to protect against getting caught in the moving machinery.
 6. Never reach around the saw blade.
 7. Never touch any moving parts, including the blade, while the saw is in use.
 8. Never remove any safety devices or blade guards; use of the tool without them would be hazardous.
 9. Never lock the lower guard; always confirm that it slides smoothly before using the tool.
 10. Never damage the power cord of the tool.
 11. Never attempt to move a plugged-in POWER TOOL while your finger is on the starting switch.
 12. Never use the POWER TOOL if the starting switch does not turn on and off properly.
 13. Never use the POWER TOOL if the plastic housing or the handle is cracked or deformed.
 14. Never use the POWER TOOL near flammable liquids or gases because sparking can cause an explosion.
 15. Never clean plastic components with solvents because the plastic may dissolve.
 16. Never operate the saw unless all the blade guards are in place.
 17. Never raise the saw blade from the workpiece until it has first come to a complete stop.
 18. When slide cutting, never pull the handle toward the operator, since this could cause the saw blade to kick up from the workpiece. Always push the handle away from the operator in a single, smooth motion.
 19. Never place your limbs inside of the line next to warning sign “” while the tool is being operated. This may cause hazardous conditions.
 20. Never use abrasive type blades on this saw.
 21. Never expose to rain or use in damp locations.
 22. Never cut ferrous metals or masonry.
 23. Do not replace the LED light with a different type.
 24. Do not stand in a line with the saw blade in front of the machine. Always stand aside of the saw blade. This protects your body against possible kickback. Keep hands, fingers and arms away from the rotating saw blade.
 25. Do not cross your arms when operating the tool arm.
 26. When the saw head is in the down position, never release the hand that is gripping the handle. Doing so could snap the saw head up, forcing the tool to fall and possibly cause injury.

⚠ WARNING

FOR YOUR OWN SAFETY READ THIS INSTRUCTION MANUAL BEFORE OPERATING THE SLIDE COMPOUND MITER SAW

1. Make sure to securely hold the tool during operation. Failure to do so can result in accidents or injuries. (Fig. 1)

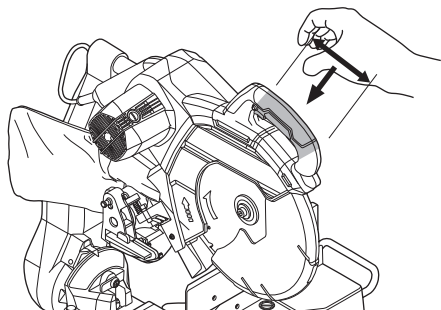


Fig. 1

2. Always wear eye protection when using the slide compound miter saw.
3. Always keep hands out of the path of the saw blade.
4. Never operate the saw without the guards in place.
5. Never perform any freehand operation with the slide compound miter saw.
6. Never reach around the saw blade.
7. Always turn off tool and wait for saw blade to stop before moving workpiece or changing settings.
8. Always disconnect power before changing blade or servicing.
9. Saw blade diameter is 12" (305 mm).
10. No load speed is 4,000 /min.
11. To reduce the risk of injury, return carriage to the full rear position after each crosscut operation.
12. Definitions for symbols used on this tool
 - V volts
 - Hz hertz
 - A amperes
 - n₀ no load speed
 - W watt
 - Ⓜ Class II Construction
 - /min revolutions or reciprocation per minute
 - ~ Alternating current

REPLACEMENT PARTS

When servicing use only identical replacement parts. Repairs should be conducted only by a metabo HPT authorized service center.

USE PROPER EXTENSION CORD

Make sure your extension cord is in good condition. When using an extension cord, be sure to use one heavy enough to carry the current your product will draw. An undersized cord will cause a drop in line voltage resulting in loss of power and overheating. Table shows the correct size to use depending on cord length and nameplate ampere rating. If in doubt, use the next heavier gage. The smaller the gage number, the heavier the cord.

Table 1

MINIMUM GAGE FOR CORD SETS					
Ampere Rating		AWG Size of Cord			
More than	Not more than	Total Length of Cord in Feet (Meter)			
		25 (7.6)	50 (15.2)	100 (30.5)	150 (45.7)
0 – 6		18	16	16	14
0 – 6		18	16	14	12
10 – 12		16	16	14	12
12 – 16		14	12	Not recommended	

⚠ WARNING

Avoid electrical shock hazard. Never use this tool with a damaged or frayed electrical cord or extension cord. Inspect all electrical cords regularly. Never use in or near water or in any environment where electric shock is possible.

DOUBLE INSULATION FOR SAFER OPERATION

To ensure safer operation of this power tool, metabo HPT has adopted a double insulation design. "Double insulation" means that two physically separated insulation systems have been used to insulate the electrically conductive materials connected to the power supply from the outer frame handled by the operator. Therefore, either the symbol "Ⓜ" or the words and "Double insulation" appear on the power tool or on the nameplate.

Although this system has no external grounding, you must still follow the normal electrical safety precautions given in this Instruction Manual, including not using the power tool in wet environments.

To keep the double insulation system effective, follow these precautions:

- Only metabo HPT AUTHORIZED SERVICE CENTER should disassemble or assemble this power tool, and only genuine metabo HPT replacement parts should be installed.
- Clean the exterior of the power tool only with a soft cloth moistened with soapy water and dry thoroughly.
- Never use solvents, gasoline or thinners on plastic components; otherwise the plastic may dissolve.

**SAVE THESE INSTRUCTIONS
AND
MAKE THEM AVAILABLE TO OTHER USERS
AND
OWNERS OF THIS TOOL!**

FUNCTIONAL DESCRIPTION

NOTE

The information contained in this Instruction Manual is designed to assist you in the safe operation and maintenance of the power tool.

NEVER operate, or attempt any maintenance on the tool unless you have first read and understood all safety instructions contained in this manual.

Some illustrations in this Instruction Manual may show details or attachments that differ from those on your own power tool.

NAME OF PARTS

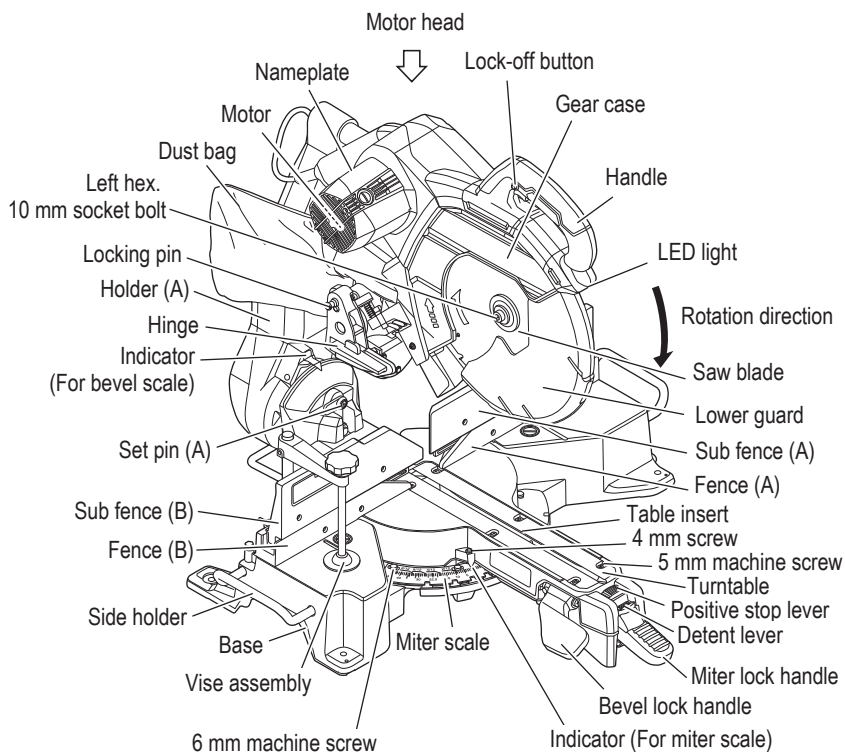


Fig. 2

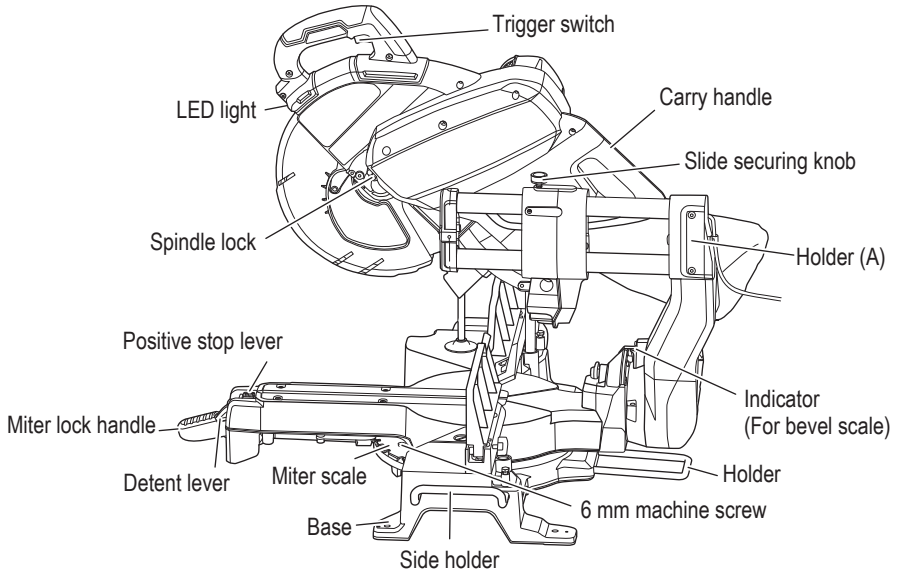


Fig. 3

SPECIFICATIONS

Model		C 12RSH3
Motor	Type	Series commutator motor
	Power source	Single-phase AC 60Hz
	Voltage	120 V
	Full-load current	15 A
LED light		Yes
Applicable saw blade		Outside Dia. 12" (305 mm), Hole Dia. 1" (25.4 mm), Maximum kerf 7/64" (2.8 mm)
No load speed		4,000 /min
Miter sawing range		Left 0°-45° Right 0°-57°
Bevel sawing range		Left 0°-45° Right 0°-45°
Compound sawing range	Left (Bevel) 0°-45°	Left (Miter) 0°-45°, Right (Miter) 0°-45°
	Right (Bevel) 0°-45°	Right (Miter) 0°-45°, Left (Miter) 0°-45°
Net weight		56.1 lbs. (25.4 kg)
Cord		2 Conductor type cable 6ft. (1.8 m)

Table 2: Max. sawing dimension

	Head	Turntable	Max. sawing dimension		
			Max. height	Max. width	With aux. board
Miter	0	0	4-3/16" (107 mm)	12-1/4" (312 mm)	-
			*4-11/16" (120 mm)	10-3/16" (260 mm)	1" (25 mm)
		Left 45° or Right 45°	4-3/16" (107 mm)	8-5/8" (220 mm)	-
			*4-11/16" (120 mm)	7-1/16" (180 mm)	1" (25 mm)
		Right 57°	4-3/16" (107 mm)	6-11/16" (170 mm)	-
			*4-3/4" (120 mm)	5-1/8" (130 mm)	1" (25 mm)
Bevel	Left 45°	0	2-3/4" (70 mm)	12-1/4" (312 mm)	-
			*2-15/16" (75 mm)	10-3/16" (260 mm)	1" (25 mm)
	Right 45°	0	1-3/4" (45 mm)	12-1/4" (312 mm)	-
			*1-15/16" (50 mm)	10-3/16" (260 mm)	1" (25 mm)
Compound	Left 45°	Left 45°	2-3/4" (70 mm)	8-5/8" (220 mm)	-
			*2-15/16" (75 mm)	7-1/16" (180 mm)	1" (25 mm)
		Right 45°	2-3/4" (70 mm)	8-5/8" (220 mm)	-
			*2-15/16" (75 mm)	7-1/16" (180 mm)	1" (25 mm)
	Right 45°	Left 45°	1-3/4" (45 mm)	8-5/8" (220 mm)	-
			*1-15/16" (50 mm)	7-1/16" (180 mm)	1" (25 mm)
		Right 45°	1-3/4" (45 mm)	8-5/8" (220 mm)	-
			*1-15/16" (50 mm)	7-1/16" (180 mm)	1" (25 mm)

When cutting the workpiece which has the dimension of ""* there might be some possibility of the lower end of the circular saw to touch with the workpiece, even if the motor head is located at the lower limit position. Pay attention when cutting the workpiece. For further details, refer to "PRACTICAL APPLICATIONS" on page 20. Mount the auxiliary board on the fence surface Refer to "5. Cutting large workpieces" on page 22 (Fig. 27).

ASSEMBLY AND OPERATION

APPLICATIONS

- Cutting various types of wood.
- Cutting aluminum sash.

PREPARATION BEFORE OPERATION

1. Power source
Ensure that the power source to be utilized conforms to the power source requirements specified on the product nameplate.
2. Power switch
Ensure that the switch is in the OFF position. If the plug is connected to a receptacle while the switch is in the ON position, the power tool will start operating immediately and can cause serious injury.
3. Extension cord
When the work area is far away from the power source, use an extension cord of sufficient thickness and rated capacity. The extension cord should be kept as short as practicable.



⚠ WARNING

Damaged cord must be replaced or repaired.

4. Remove all packing materials attached or connected to the tool before attempting to operate it.
5. Installation
Attach the power tool to a level, horizontal work bench in accordance with Fig. 4.
Select 5/16" (8 mm) diameter bolts suitable in length for the thickness of the work bench. Bolt length should be at least 1-9/16" (40 mm) plus the thickness of the work bench.
For example, use 2-9/16" (65 mm) or larger bolts for a 1" (25 mm) thick work bench.

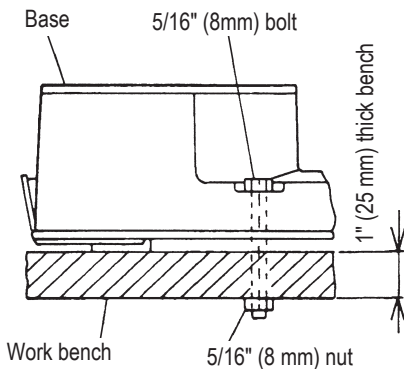
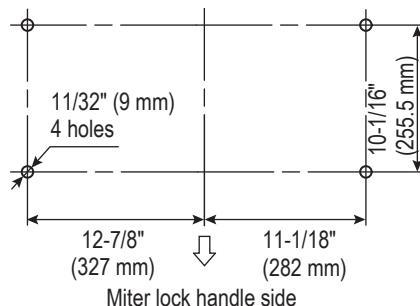


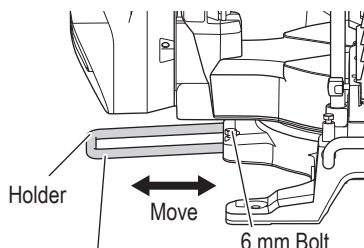
Fig. 4

The holder attached to the rear of the base helps stabilize the power tool.

Holder adjustment:

Loosen the 6 mm bolt with the 10 mm box wrench. Adjust the holder until its bottom surface contacts the work bench surface.

After adjustment, firmly tighten the 6 mm bolt.



Adjust the holder until its bottom surface contacts the work bench surface.

Fig. 5

6. Releasing the locking pin
When the power tool is prepared for shipping, its main parts are secured by a locking pin. Press the handle slightly down and pull out the locking pin to disengage the cutting head. During transport, lock the locking pin into the gear case.

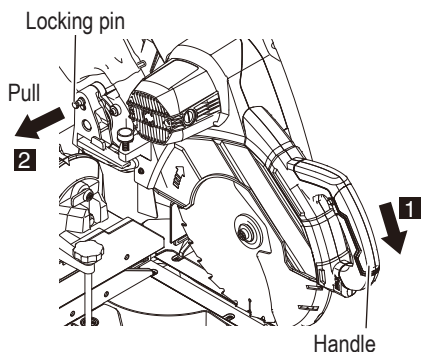


Fig. 6

7. Installing the dust bag, side holder, stopper and vises (The stopper is an optional accessory.)
To empty the dust bag, pull out the dust bag assembly from dust port. Open zipper on underside of bag and empty into waste container. **Check frequently and empty the dust bag before it gets full.**

When bevel angle cutting, adjust the support bar and install the dust bag so that it hangs down vertically.

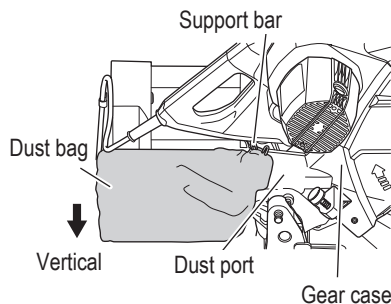


Fig. 7

⚠ WARNING

Do not use this saw to cut and/or sand metals. The hot chips or sparks may ignite saw dust from the bag material.

⚠ CAUTION

- Empty the dust bag frequently to prevent the duct and the lower guard from becoming clogged. Sawdust will accumulate more quickly than normal during bevel cutting.
- After cutting wood, before starting to cut aluminum sash, discard the chips that are in the dust bag.

(Attach the vise assembly as shown in Fig. 2, Fig. 3 and Fig. 23.)

BEFORE USING

⚠ WARNING

Check steps 1 through 10 before you have installed the power supply to the tool.

1. Make sure the power source is appropriate for the tool.

⚠ WARNING

Never connect the power tool unless the available AC power source is of the same voltage as that specified on the nameplate of the tool. Never connect this power tool to a DC power source.

2. Make sure the trigger switch is turned OFF.

⚠ WARNING

If the power cord is connected to the power source with the trigger switch turned ON the power tool will start suddenly and can cause a serious accident.

3. Check the saw blade for visible defects.
Confirm that the saw blade is free of cracks or other visible damage.
4. Confirm that the saw blade is attached securely to the power tool.
Using the supplied 8 mm hex. bar wrench, tighten the left hex. 10 mm socket bolt on the saw blade spindle to secure the saw blade.
For details, see Fig. 48-a, Fig. 48-b, and Fig. 48-c in the section on "SAW BLADE MOUNTING AND DISMOUNTING".
5. Check the lower guard for proper operation.

⚠ WARNING

NEVER OPERATE THE POWER TOOL if the lower guard does not function smoothly.

Lower guard is designed to protect the operator from coming into contact with the saw blade during operation of the tool.

Always check that the lower guard moves smoothly and covers the saw blade properly.

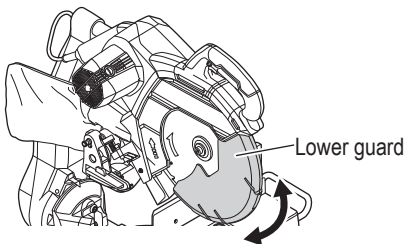


Fig. 8

6. Confirm the position of the spindle lock before using the tool.
After installing the saw blade, confirm that the spindle lock has been returned to the released position before using the power tool (see Fig. 3).
7. Check the Power Receptacle.
To prevent overheating, accidental stopping or intermittent operation, confirm that the power cord

plug fits properly in the electrical receptacle and does not fall out after it is inserted. Repair or replace the receptacle if it is faulty.

8. Confirm the tool's power cord is not damaged.
Repair or replace the power cord if an inspection indicates that it is damaged.
9. Eye protection

⚠ WARNING

Operating the tool without wearing proper eye protection may result in serious injury.

Always wear eye protection with side shields that meets the requirements of ANSI Standard Z87.1.
Ordinary eyeglasses do not provide adequate protection because they do not contain impact resistant safety glass.

10. Electric brake

⚠ WARNING

Please be aware of the reaction of the Motor Head (Fig. 2) when the brake is activated. Braking causes the Motor Head to jerk downward and the user should be prepared for this reaction, especially when the trigger switch is released before the blade is completely down. Failure to be familiar with, and prepared for, the operational characteristics of the tool may cause serious injury.

AFTER CONNECTING THE POWER PLUG TO AN APPROPRIATE AC POWER SOURCE, CHECK THE OPERATION OF THE TOOL AS FOLLOWS:

This tool is equipped with an electric brake which will typically stop the blade within 5 seconds after the trigger switch is released.

Occasionally, there will be a delay in the brake engaging which will result in a longer blade stopping time. On rare occasions, the brake may not engage at all and the saw blade will coast to a stop.

If the brake fails to engage frequently, depress and release the trigger switch to turn the tool on and off 4 or 5 times. If the brake still does not engage, have the tool serviced at a metabo HPT authorized service center.

11. Trial Run

After confirming that no one is standing behind, the power tool start and confirm that no operating abnormalities exist before attempting a cutting operation.

12. Inspect the rotating stability of the saw blade.
For precise cutting, rotate the saw blade and check for deflection to confirm that the blade is not noticeably unstable; otherwise vibrations might occur and cause an accident.

BEFORE CUTTING

1. Positioning the table insert

Table inserts are installed on the turntable. When shipping the tool from the factory, the table inserts are so fixed that the saw blade does not contact them. The burr of the bottom surface of the workpiece is remarkably reduced, if the table insert is fixed so that the gap between the side surface of the table insert and the saw blade will be minimum. Before using the tool, eliminate this gap in accordance with the following procedure.

(1) Right angle cutting

Loosen the three 5 mm machine screws, then secure the left side table insert and temporarily tighten the 5 mm machine screws of both ends. Then fix a workpiece (about 7-7/8" (200 mm) wide) with the vise assembly and cut it off. After aligning the cutting surface with the edge of the table insert, securely tighten the 5 mm machine screws of both ends. Remove the workpiece and securely tighten the 5 mm center machine screw. Adjust the right hand table insert in the same way. (Fig. 9-a)

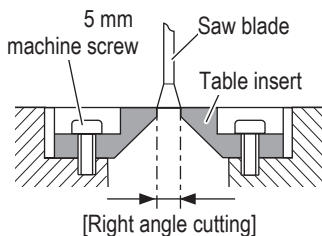


Fig. 9-a

(2) Left and right bevel angle cutting

Adjust the table insert in the manner shown in Fig. 9-b and Fig. 9-c following the same procedure for right angle cutting.

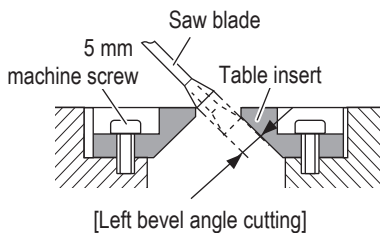


Fig. 9-b

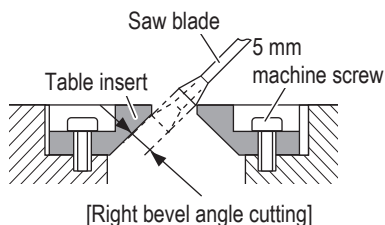


Fig. 9-c

⚠ CAUTION

After adjusting the table insert for right angle cutting, the table insert will be cut to some extent if it is used for bevel angle cutting. When bevel cutting operation is required, adjust the table insert for bevel angle cutting.

2. Checking the saw blade lower limit position
Check that the saw blade can be lowered 10 mm to 11 mm below the table insert.
When you replace a saw blade with a new one, adjust the lower limit position so that the saw blade will not cut the turntable or complete cutting cannot be done. Furthermore, when changing the position of an 8 mm depth adjustment bolt that serves as a lower limit position stopper of the saw blade.
- (1) Turn the 8 mm depth adjustment bolt, change the height where the bolt head and the hinge contacts, and adjust the lower limit position of the saw blade. (Fig. 10-a)

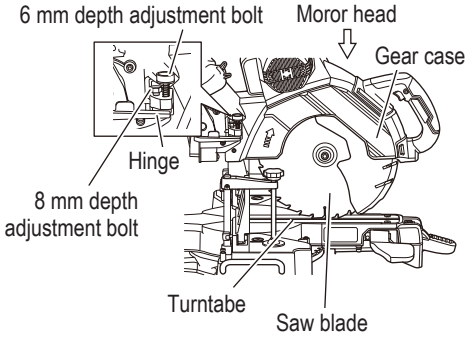


Fig. 10-a

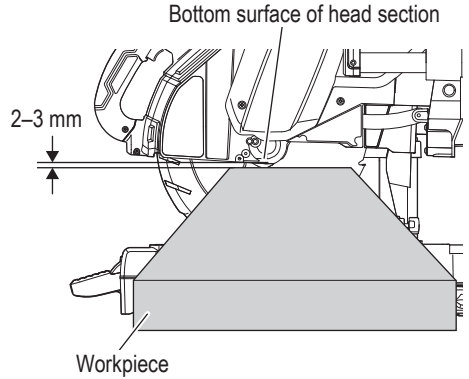


Fig. 10-c

- Lower limit position of saw blade when cutting a large workpiece
When cutting a workpiece 4-7/32" (107 mm) to 4-11/16" (120 mm) in height in right-angle cutting or 2-3/4" (70 mm) to 2-15/16" (75 mm) in left bevel angle cutting or 1-3/4" (45 mm) to 1-15/16" (50 mm) in right bevel angle cutting, adjust the lower limit position so that the base of the motor head (see Fig. 10-a) will not come in contact with the workpiece.

NOTE

Confirm that the saw blade is adjusted so that it will not cut into the turntable.

Lower the motor head, and turn the 6 mm depth adjustment bolt and make adjustments so that there can be a clearance of 5/64" to 1/8" (2 mm to 3 mm) between the lower limit position of the motor head and the top of the workpiece at the saw blade's lower limit position where the head of the 6 mm depth adjustment bolt contacts the hinge. (Fig. 10-b)

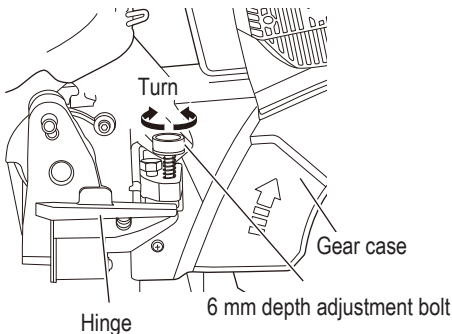


Fig. 10-b

- Confirmation for use of sub fence (A)

⚠ WARNING

When right bevel angle cutting, loosen the 6 mm wing bolt, then slide the sub fence (A) outward and remove it as shown in Fig. 11. Failure to do so may result in the main body or saw blade coming into contact with the sub fence (A) and causing injury.

This power tool is equipped with a sub fence (A). In the case of direct angle cutting and left bevel angle cutting, use the sub fence (A). Then, you can realize stable cutting of the material with a wide back face.

⚠ CAUTION

In the case of direct angle cutting and left bevel angle cutting, slide inward to the position where the sub fence (A) hits, and secure it with 6 mm wing bolt. (as shown in Fig. 11)

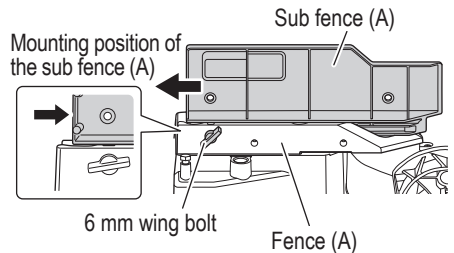


Fig. 11

5. Confirmation for use of sub fence (B)

⚠ WARNING

When left bevel angle cutting, loosen the 6 mm wing bolt, then slide the sub fence (B) outward, as shown in Fig. 12.

Failure to do so may result in the main body or saw blade coming into contact with the sub fence (B) and causing injury.

This power tool is equipped with a sub fence (B). In the case of direct angle cutting and right bevel angle cutting, use the sub fence (B). Then, you can realize stable cutting of the material with a wide back face.

⚠ CAUTION

In the case of direct angle cutting and right bevel angle cutting, slide inward to the position where the sub fence (B) hits, and secure it with 6 mm wing bolt. (as shown in Fig. 12)

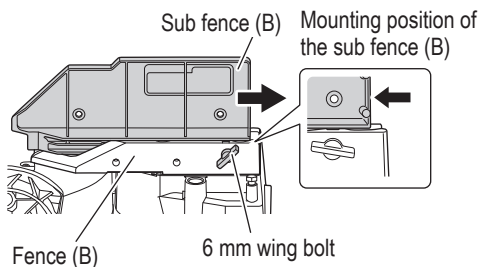


Fig. 12

6. Oblique angle

⚠ WARNING

When changing the oblique angle, hold down the motor head. If the motor head moves to an oblique angle suddenly, it may result in injury or damage to the main body.

Before the power tool is shipped from the factory, it is adjusted for 0°, right angle, left 45° bevel cutting angle and right 45° bevel cutting angle with the 8 mm set screws.

When changing the adjustment, change the height of the 8 mm set screws by turning them. (Fig. 13-a, Fig. 13-b)

When changing the bevel angle to the left 45°, loosen the 6 mm wing bolt shown in Fig. 12, then slide the sub fence (B) outward and incline the motor head to the left.

To change the bevel angle to the right at 45°, move the sub fence (A) outward and loosen the bevel lock handle, then pull out the set pin (A) toward the front, and tilt the motor head to the right. (Fig. 13-b)

When the motor head is straight upright, the set pin (A) is held tightly in place, so tilt the motor head slightly to the left when pulling out the set pin (A) before tilting the motor head to the right.

When adjusting the motor head to 0°, always return the set pin (A) to its initial position as shown in Fig. 13-b.

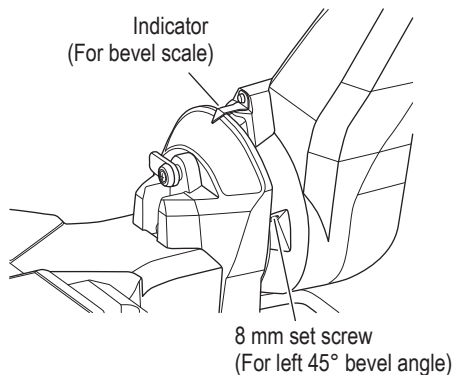


Fig. 13-a

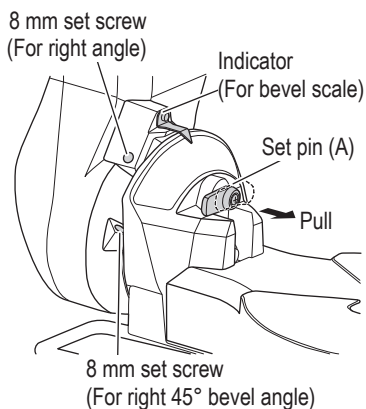


Fig. 13-b

7. Securing the workpiece

⚠ WARNING

Always clamp or vise to secure the workpiece to the fence; otherwise the workpiece might be thrust from the table and cause bodily harm.

8. Installing the side holder

The side holder helps keep longer workpieces stable and in place during the cutting operation. As indicating in Fig. 14, installing the side holder in the holes on the side of base and fasten it with 6 mm bolt.

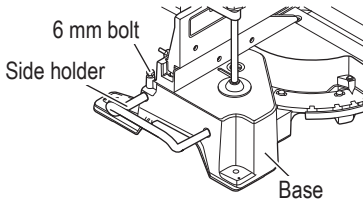


Fig. 14

⚠ CAUTION

When transporting or carrying the tool, do not grasp the holder. There is the danger of the holder slipping out of the base. For the correct way to hold the tool, refer to "TRANSPORTATION OF THE MAIN BODY".

9. Installing the holders ... (Optional accessory)

The holders help keep longer workpieces stable and in place during the cutting operation.

- (1) As indicated in Fig. 15, use a steel square for aligning the upper edge of the holders with the base surface. Loosen the 6 mm wing nut. Turn a height adjustment bolt 6 mm, and adjust the height of the holder.
- (2) After adjustment, firmly tighten the wing nut and fasten the holder with the 6 mm wing knob (optional accessory). If the length of Height Adjustment Bolt 6 mm is insufficient, spread a thin plate beneath. Make sure the end of Height Adjustment Bolt 6 mm does not protrude from the holder. (Fig. 15)

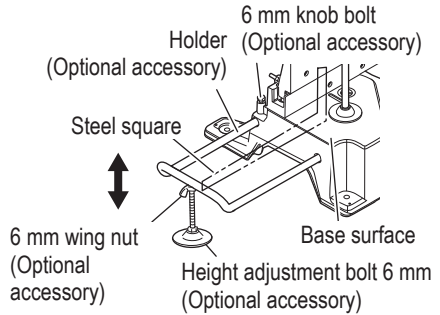


Fig. 15

10. Stopper for precision cutting ... (Stopper and holder are optional accessory)

The stopper facilitates continuous precision cutting in lengths of 11 in. to 17-3/4 in. (280 mm to 450 mm). To install the stopper, attach it to the holder with the 6 mm wing bolt as shown in Fig. 16.

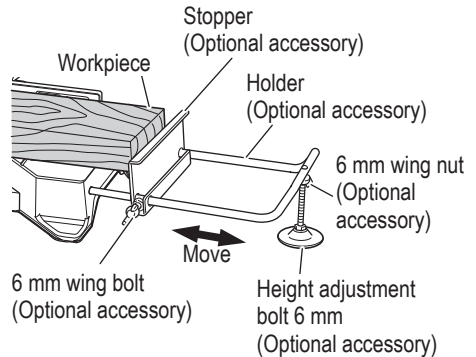


Fig. 16

11. Slide carriage system

⚠ WARNING

To reduce the risk of injury, return slide carriage to the full rear position after each crosscut operation.

For chop cutting operations on small workpieces, slide the cutting head assembly completely toward the rear of the unit and tighten the slide securing knob.

To cut wide boards up to 312 mm, the slide securing knob must be loosened to allow the cutting head slide freely. (Fig. 17)

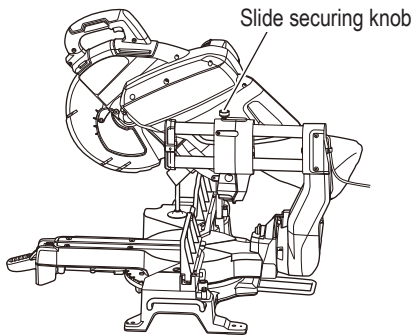


Fig. 17

12. Miter scale adjustment

- Down the head and insert the locking pin. Unlock the miter lock handle and swing the turntable until the positive stop locks it at the 0° miter position. Do not lock the miter lock handle. Place a square against the saw's fence and blade, as shown in Fig. 18 (Do not touch the tips of the blade teeth with the square.

To do so will cause an inaccurate measurement.)

If the saw blade is not exactly perpendicular to the fence, loosen the 6 mm machine screws (4 pcs.) that hold the miter scale and move the miter lock handle and the scale left or right until the blade is perpendicular to the fence, as measured with the square.

Retighten the 6 mm machine screws (4 pcs.).

(Fig. 18) Pay no attention to the reading of the indicator (for miter scale) at this time.

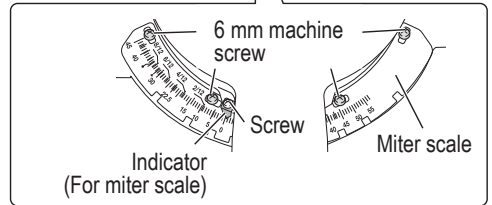
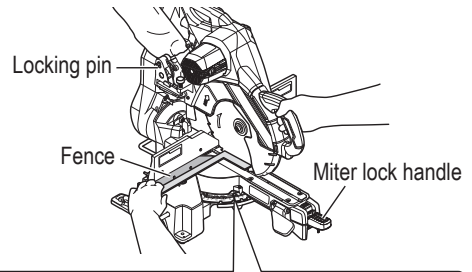


Fig. 18

○ Indicator (for miter scale) adjustment

Unlock the miter lock handle to move the turntable to the 0° position. With the miter lock handle unlocked, allow the positive stop to snap into place as you rotate the turntable to 0°.

Observe the indicator (for miter scale) and miter scale as shown in Fig. 18. If the indicator (for miter scale) does not indicate exactly 0° loosen the 4 mm screw holding the indicator (for miter scale). In place reposition the indicator (for miter scale) and tighten the 4 mm screw.

13. Miter angle adjustment

The slide compound miter saw scale can be easily read, showing miter angles from 0° to 45° to the left and right. The miter saw table has nine of the most common angle settings with positive stops at 0°, 15°, 22.5°, 31.6°, and 45°. These positive stops position the blade at the desired angle quickly and accurately. Follow the process below for quickest and most accurate adjustments. (Fig. 19)

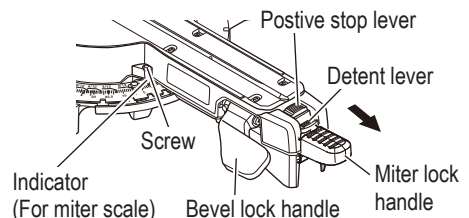


Fig. 19

Adjusting miter angles:

- (1) Push up the miter lock handle to release the turntable.
- (2) Push down the positive stop lever until the detent lever catches on it to release the "positive stop".
- (3) Rotate the turntable and set the indicator to line up with the desired angle of the miter scale. At this time, when using the positive stop function, pull the detent lever in the direction of the arrow near the desired angle as shown in Fig. 19, release the detent lever, and move the turntable to secure it in place at the desired angle via the positive stop function. (0°, 15°, 22.5°, 31.6°, and 45°)
- (4) Push down the miter lock handle to secure the turntable in place.

Detent lever (Fig. 19)

The detent lever allows for the table to be micro adjusted, disengaging the positive detent stops feature. When a required miter angle is close to a positive detent stop, this detent lever prevents the wedge on the positive stop lever from slipping into that detent slot on the base.

14. LED lighting system (Fig. 20) [XACT CUT LED™]

⚠ CAUTION

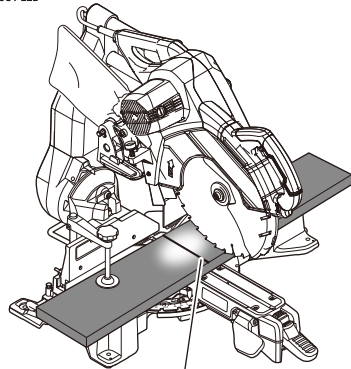
Do not stare at operating lamp. Staring into the light beam may result in serious injury or vision loss.

The LED lighting system [XACT CUT LED™] casts the shadow of the blade onto the workpiece. This results in greater accuracy of cuts and requires no adjustments.

The LED light will light up just by plugging the power plug in to the outlet.

Bring the motor head down so the blade is approximately 1/4 in. (6 mm) from the workpiece. The shadow of the blade will be projected onto the workpiece, indicating where the blade teeth will make contact as the cut is made.

To turn the LED light off, unplug the power plug from the outlet.



Shadow of blade teeth projected onto workpiece

Fig. 20

PRACTICAL APPLICATIONS

⚠ WARNING

- To avoid personal injury, never remove or place a workpiece on the table while the tool is being operated.
- Never place your limbs inside of the line next to warning sign while the tool is being operated. This may cause hazardous conditions.

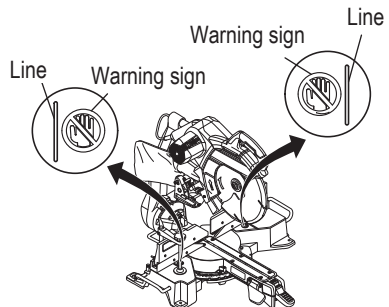


Fig. 21

1. Switch operation

The tool will not start unless the Lock-off button is pressed while the switch is pulled back.

The Lock-off button can be engaged by pressing it from the left.

After the switch is on, the saw blade will continue to operate as long as you pull on the trigger switch, even if you release the Lock-off button. When the switch is released, the Lock-off button automatically disengages to prevent inadvertent motor startup.

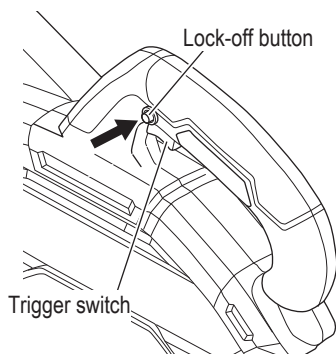


Fig. 22

⚠ WARNING

Never lock the Lock-off button in depressed position. Pulling back the switch would then cause the tool to suddenly start operating, which could result in injury.

2. Securing workpiece
 - Using the Vise Assembly (Standard accessory)
 - (1) The vise assembly can be mounted on the base.
 - (2) Turn the upper knob and securely fix the workpiece in position (Fig. 23).

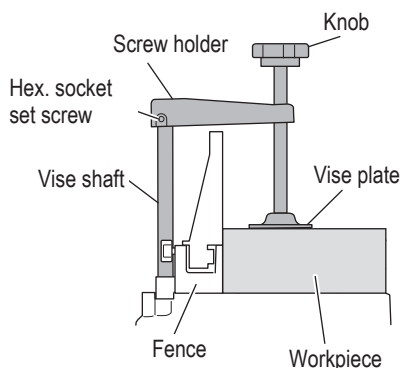


Fig. 23

⚠ WARNING

Use clamps to support the workpiece whenever possible. If supporting the workpiece by hand, you must always keep your hand at least 100 mm from either side of the saw blade. Do not use this saw to cut pieces that are too small to be securely clamped or held by hand. If your hand is placed too close to the saw blade, there is an increased risk of injury from blade contact, and the workpiece might be thrust from the table and cause bodily harm.

⚠ CAUTION

Always confirm that the motor head (Fig. 3) does not contact the vise assembly when it is lowered for cutting. If there is any danger that it may do so, loosen the Hex. socket set screw and move the vise assembly to a position where it will not contact the saw blade.

- Using the Clamp (Commercially available)

For base molding with height and other materials that will not allow the use of the vise assembly (standard accessory), make sure the material is fixed in position with commercially available clamps. (Fig. 24)

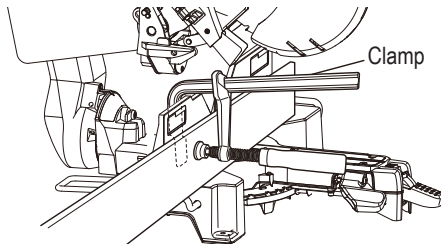


Fig. 24

3. Cutting Operation

- (1) As shown in Fig. 25 the width of the saw blade is the width of the cut. Therefore, slide the workpiece to the right (viewed from the operator's position) when length ⑥ is desired, or to the left when length ⑤ is desired. Use the LED light, project the shadow of the blade onto the workpiece, align the left side or right side of shadow of the blade with the ink line on the workpiece.

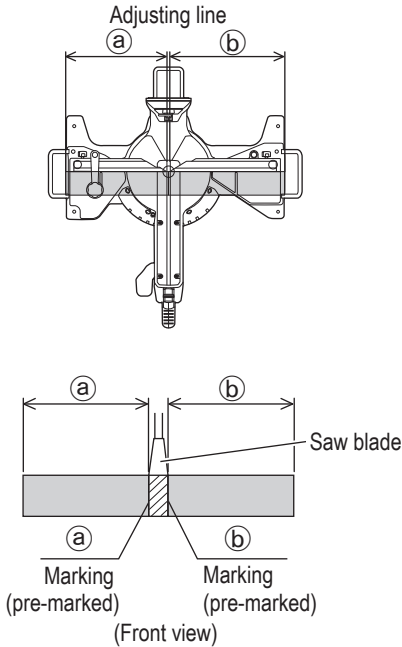


Fig. 25

- (2) Once the saw blade reaches maximum speed, push the handle down carefully until the saw blade approaches the workpiece.
- (3) Once the saw blade contacts the workpiece, push the handle down gradually to cut into the workpiece.
- (4) After cutting the workpiece to the desired depth, turn the power tool OFF and let the saw blade stop completely before raising the handle from the workpiece to return it to the full retract position.

! WARNING

- Confirm that the trigger switch is turned OFF and the power plug has been removed from the receptacle whenever the tool is not in use.
- Always turn the power off and let the saw blade stop completely before raising the handle from the workpiece. If the handle is raised while the saw blade is still rotating, the cut-off piece may become jammed against the saw blade causing fragments to scatter about dangerously.
- Every time one cutting or deep-cutting operation is finished, turn the trigger switch off, and check that the saw blade has stopped. Then raise the handle, and return it to the full retract position.
- Be absolutely sure to remove the cut material from the top of the turntable, and then proceed to the next step.

- Continued cutting operation can result in overload of the motor. Touch the motor and if it's hot, stop your cutting operation at once and rest for 10 minutes or so, and then restart your cutting operation.

! CAUTION

Increased pressure on the handle will not increase the cutting speed. On the contrary, too much pressure may result in overload of the motor and/or decreased cutting efficiency.

4. Cutting narrow workpieces (Press cutting)
Slide the hinge down to holder (A), then tighten the slide securing knob. Lower the handle to cut the workpiece. Using the power tool this way will permit cutting of workpieces of up to 4-3/16" (107 mm) square.

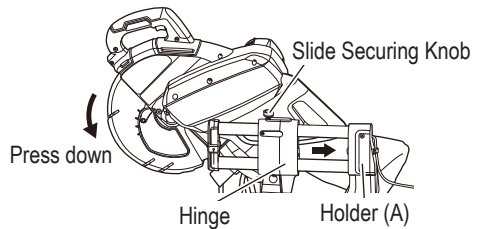


Fig.26

5. Cutting large workpieces
There may be case when a complete cutting cannot be done depending on the height of workpiece. In this case, mount an auxiliary board with the 6 mm flat head screws and the 6 mm nuts using the 7 mm holes on the fence surface (two holes on each side). Refer to page 11 "Table 2: Max. sawing dimension" for the thickness of the auxiliary board.

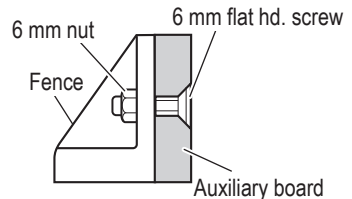


Fig. 27

6. Cutting wide workpieces (Slide cutting)
- (1) Workpieces up to 4-3/16" (107 mm) high and 12-1/4" (312 mm) wide:
Loosen the slide securing knob (see Fig. 26), grip the handle and slide the saw blade forward.
Then press down on the handle and slide the saw blade backward to cut the workpiece as indicated in Fig. 28. This facilitates cutting of workpieces of up to 4-3/16" (107 mm) in height and 12-1/4" (312 mm) in width.

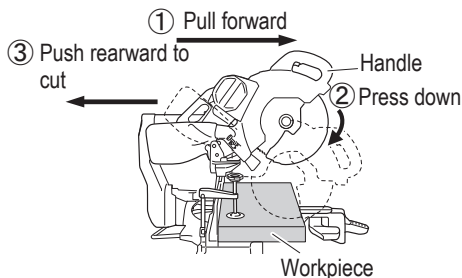


Fig. 28

- (2) Workpieces up to 4-11/16" (120 mm) high and 10-3/16" (260 mm) wide:
Workpieces of up to 4-11/16" (120 mm) in height and up to 10-3/16" (260 mm) in width can be cut in the same manner as described in paragraph 6-(1) above.

⚠ WARNING

- For slide cutting, follow the procedures indicated above in Fig. 28.
Forward slide cutting (toward the operator) is very dangerous because the saw blade could kick upward from the workpiece. Therefore, always slide the handle away from the operator.
- Always return the carriage to the full rear position after each crosscut operation in order to reduce the risk of injury.
- Never put your hand on the miter lock handle during the cutting operation because the saw blade comes close to the miter lock handle when the motor head is lowered.

⚠ CAUTION

- When cutting a workpiece of 4-3/4" (120 mm) height, adjust the lower limit position of the motor head so that the gap between the lower edge of the motor head and the workpiece will be 5/64" to 1/8" (2 to 3 mm) at the lower limit position.

- If the handle is pressed down with excessive or lateral force, the saw blade may vibrate during the cutting operation and cause unwanted cutting marks on the workpiece, thus reducing the quality of the cut. Accordingly, press the handle down gently and carefully.
- In slide cutting, gently push the handle back (rearwards) in a single, smooth operation. Stopping the handle movement during the cut will cause unwanted cutting marks on the workpiece.

7. Bevel cutting procedures

⚠ WARNING

When changing the oblique angle, hold down the motor head. If the motor head moves to an oblique angle suddenly, it may result in injury or damage to the main body.

- (1) Loosen the bevel lock handle and bevel the saw blade to the left or to the right.
To change the bevel angle to the right, loosen the bevel lock handle, then pull out the set pin (A) toward the front, and tilt the motor head to the right.
When the motor head is straight upright, the set pin (A) is held tightly in place, so tilt the motor head slightly to the left when pulling out the set pin (A) before tilting the motor head to the right.
- (2) Adjust the bevel angle to the desired setting while watching the bevel angle scale and indicator, then secure the bevel lock handle.

⚠ CAUTION

Always check that the bevel lock handle is secured and the motor head is clamped. If you attempt angle cutting without clamping the motor head, then the motor head might shift unexpectedly causing injuries.

- (3) Follow the procedures indicated in paragraphs 4,5 and 6 above. For maximum dimensions for bevel cutting, refer to page 11 "Table 2: Max. sawing dimension".

NOTE

The bevel lock handle adopts a clutch system. When contacting the bevel lock handle and the main body, pull the bevel lock handle in the direction of the arrow mark as illustrated in Fig. 29, and change the direction of the bevel lock handle.

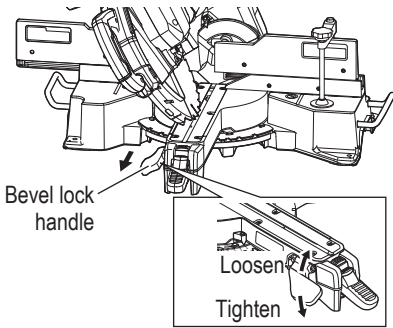


Fig. 29

8. Miter cutting procedures

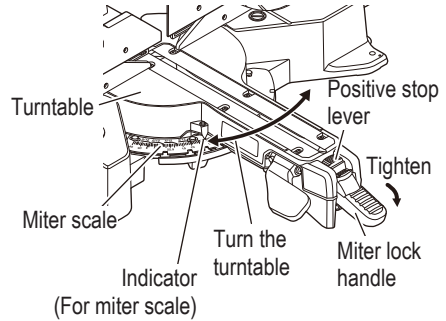


Fig. 30

⚠ WARNING

- When securing the workpiece in place on the left side of the blade and performing left bevel angle cutting, or when securing the workpiece in place on the right side of the blade and performing right bevel angle cutting, the cut-off material will be on the upper side of the saw blade. Always turn the power off and let the saw blade stop completely before raising the handle from the workpiece.
If the handle is raised while the saw blade is still rotating, the cut-off piece may become jammed against the saw blade causing fragments to scatter about dangerously.
- When stopping the bevel cutting operation halfway, start cutting after pulling back the motor head to the initial position. Starting from halfway, without pulling back, causes the lower guard to be caught in the cutting groove of the workpiece and to contact the saw blade.
- When right angle cutting, loosen the 6 mm wing bolt, then slide the sub fence (A) outward and remove it.
- When left angle cutting, loosen the 6 mm wing bolt, then slide the sub fence (B) outward.

⚠ CAUTION

When cutting a workpiece of 2-15/16" (75 mm) height in the left 45° bevel cutting position or a workpiece of 1-15/16" (50 mm) height in the right 45° bevel cutting position, adjust the lower limit position of the motor head so that the gap between the lower edge of the motor head and the workpiece will be 5/64" to 1/8" (2 to 3 mm) at the lower limit position (refer to "3. Lower limit position of saw blade when cutting a large workpiece" on page 16).

- (1) Unlock the miter table by lifting up on the miter lock handle.
- (2) While lightly pressing down on the positive stop lever until it engages the detent lever, grasp the miter lock handle and rotate the table left or right to the desired angle.
- (3) Once the desired miter angle is achieved, press down on the miter lock handle to secure the table into position.
- (4) If the desired miter angle is one of the nine positive stops noted below, please see the Miter detent lever section on page 20.
- (5) Use the LED light and position the workpiece on the table for pre-alignment of your cut.
- (6) The miter scale (Fig. 31) indicates both the cutting angle on the angle scale and the gradient on the grade scale.

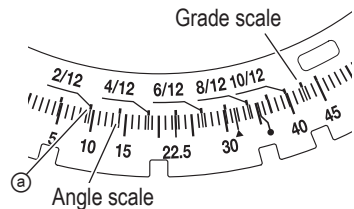


Fig. 31

- (7) The gradient, which is the ratio of the height to the base of the triangular section to be removed, may be used for setting the miter scale instead of the cutting angle, if desired (see Fig. 32).

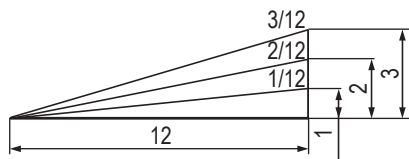


Fig. 32

- (8) Therefore, to cut a workpiece at a grade of 2/12, set the indicator to position ② as indicated in Fig. 31.

NOTE

- Positive stops are provided at the right and left of the 0° center setting, at 15°, 22.5°, 31.6° and 45° settings. Check that the miter scale and the tip of the indicator are properly aligned.
- Operation of the saw with the miter scale and indicator out of alignment will result in poor cutting precision.

⚠ CAUTION

Always check that the miter lock handle is secured and the turntable is clamped. If you attempt angle cutting without clamping the turntable, then the turntable might shift unexpectedly causing injuries.

9. Compound cutting procedures
Compound cutting can be performed by following the instructions in 7 and 8 above. For maximum dimensions for compound cutting, refer to page 11 "Table 2: Max. sawing dimension".

⚠ CAUTION

Always secure the workpiece with the right or left hand and cut it by sliding the round portion of the saw backwards with the other hand. It is very dangerous to rotate the turntable to the right or left during compound cutting because the saw blade may come into contact with the hand that is securing the workpiece. In case of compound cutting (angle + bevel) by left bevel, extend the sub-fence (B) fully before cutting operation. In case of compound cutting (angle + bevel) by right bevel, slide the sub-fence (A) outward and remove it.

10. Crown molding cutting procedures
Fig. 33 shows two common crown molding types having angles of (θ) 38° and 45°.

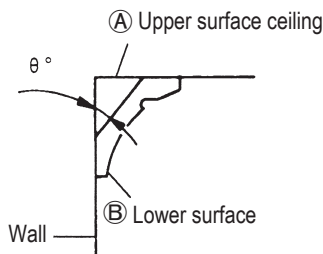


Fig. 33

For the typical crown molding fittings, see Fig. 34.

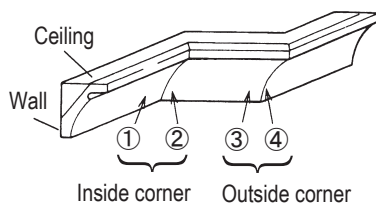


Fig. 34

The table below shows the miter angle and the bevel angle settings that are ideal for the two crown molding types.

NOTE

For convenience, positive stops are provided for the miter setting (left and right 31.6°) positions.

For miter cut setting

If the turntable has been set to either of the angles described, move the turntable adjusting miter lock handle a little to the right and left to stabilize the position and to properly align the miter angle scale and the tip of the indicator before the operation starts.

For bevel cut setting

Turn the bevel lock handle on bevel section to the right and check that the position is stable and that the bevel angle scale and the tip of the indicator are properly aligned. Then tighten the bevel lock handle.

Table 3

Type of Crown Molding	45° Type	38° Type
To process crown molding at positions ① and ④ in Fig. 34.		
Miter Angle Setting	right 35.3° (↓ mark)	right 31.6° (↓ mark)
Bevel Angle Setting	left 30° (↓ mark)	left 33.9° (↓ mark)
To process crown molding at positions ② and ③ in Fig. 34.		
Miter Angle Setting	left 35.3° (↓ mark)	left 31.6° (↓ mark)
Bevel Angle Setting	left 30° (↓ mark)	left 33.9° (↓ mark)

(1) Setting to cut crown moldings at positions ① and ④ in Fig. 34 (see Fig. 35; tilt the motor head to the left):

○ Turn the turntable to the right and set the Miter Angle as follows:

- For 45° type crown moldings: 35.3° (↓ mark)
- For 38° type crown moldings: 31.6° (↓ mark)

○ Tilt the motor head to the left and set the Bevel Angle as follows:

- For 45° type crown moldings: 30° (↓ mark)
- For 38° type crown moldings: 33.9° (↓ mark)

○ Position the crown molding so that the upper surface (A in Fig. 33) contacts the fence as indicated in Fig. 37.

(2) Setting to cut crown moldings at positions ② and ③ in Fig. 34 (see Fig. 36; tilt the head to the left):

○ Turn the turntable to the left and set the Miter Angle as follows:

- For 45° type crown moldings: 35.3° (↓ mark)
- For 38° type crown moldings: 31.6° (↓ mark)

○ Tilt the head to the left and set the Bevel Angle as follows:

- For 45° type crown moldings: 30° (↓ mark)
- For 38° type crown moldings: 33.9° (↓ mark)

○ Position the crown molding so that the lower surface (B in Fig. 33) contacts the fence as in Fig. 38.

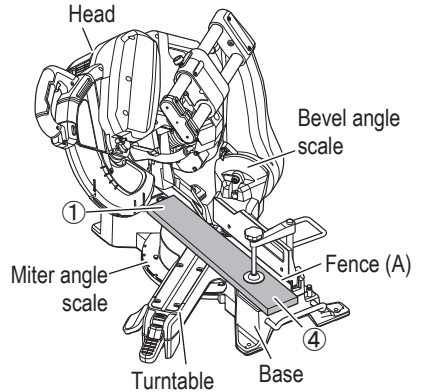


Fig. 35

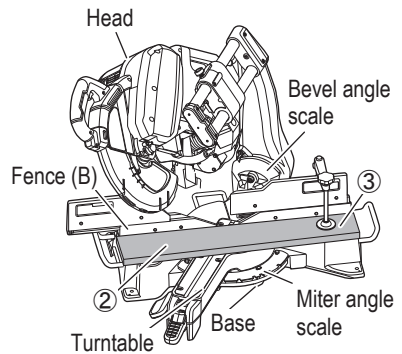


Fig. 36

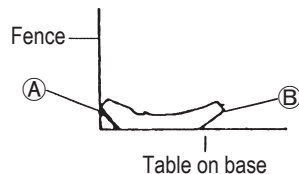


Fig. 37

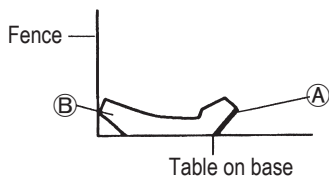


Fig. 38

(3) Setting to cut crown moldings at positions ① and ④ in Fig. 34 (see Fig. 39; tilt the head to the right):

○ Turn the turntable to the right and set the Miter Angle as follows:

- For 45° type crown moldings: 35.3° (↓ mark)
- For 38° type crown moldings: 31.6° (↓ mark)

○ Tilt the head to the right and set the Bevel Angle as follows:

- For 45° type crown moldings: 30° (↓ mark)
- For 38° type crown moldings: 33.9° (↓ mark)

○ Position the crown molding so that the upper surface (Ⓑ in Fig. 33) contacts the fence as indicated Fig. 41.

(4) Setting to cut crown moldings at positions ② and ③ in Fig. 34 (see Fig. 40; tilt the head to the right):

○ Turn the turntable to the left and set the Miter Angle as follows:

- For 45° type crown moldings: 35.3° (↓ mark)
- For 38° type crown moldings: 31.6° (↓ mark)

○ Tilt the head to the right and set the Bevel Angle as follows:

- For 45° type crown moldings: 30° (↓ mark)
- For 38° type crown moldings: 33.9° (↓ mark)

○ Position the crown molding so that the lower surface (Ⓐ in Fig. 33) contacts the fence as in Fig. 42.

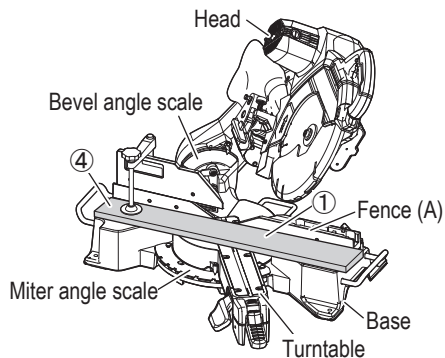


Fig. 39

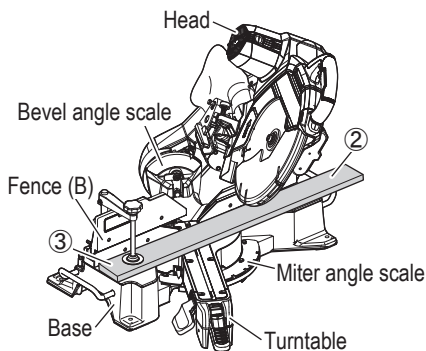


Fig. 40

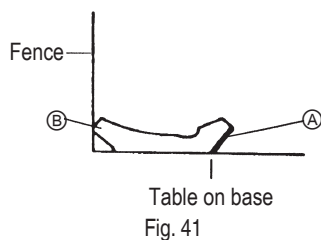


Fig. 41

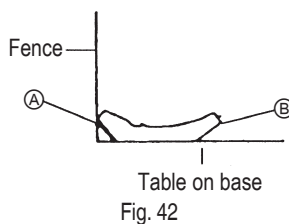


Fig. 42

Cutting method of crown molding without tilting the saw blade

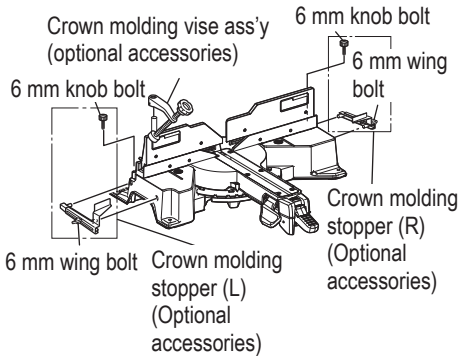


Fig. 43-a

- (1) Crown molding Stopper (L) and (R) (optional accessories) allow easier cuts of crown molding without tilting the saw blade. Install them in the base both-sides side to be shown in Fig. 43-a. After inserting Tighten the 6mm knob bolts to secure the crown molding Stoppers.

[Optional accessories used]

- Crown molding Vise Ass'y
- Crown molding Stopper (L)
- Crown molding Stopper (R)

- (2) The crown molding vise ass'y (Optional accessory) can be mounted on the base. It can unite with the slope of the crown molding and vice can be pressed down.

Then turn the upper knob, as necessary, to securely attach the crown molding in position. To raise or lower the vise assembly, first loosen the hex. socket set screw.

After adjusting the height, turn the upper knob, as necessary, to securely attach the crown molding in position. (See Fig. 43-b)

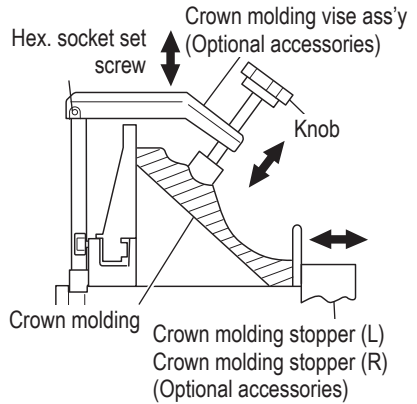


Fig. 43-b

⚠ WARNING

Always firmly clamp or vise to secure the crown molding to the fence; otherwise the crown molding might be thrust from the table and cause bodily harm.
Do not bevel cutting. The main body or saw blade may contact the sub fence, resulting in an injury.

⚠ CAUTION

Always confirm that the motor head (see Fig. 3) does not contact the crown molding vise ass'y when it is lowered for cutting. If there is any danger that it may do so, loosen the hex. socket set screw and move the crown molding vise ass'y to a position where it will not contact the saw blade.

Position crown molding with its WALL CONTACT EDGE against the guide fence and its CEILING CONTACT EDGE against the crown molding Stoppers as shown in Fig. 43-b.

Adjust the crown molding Stoppers according to the size of the crown molding.

Tighten the 6 mm wing bolt to secure the crown molding Stoppers.

Refer to the lower table for the miter angle.

	Position in Fig. 34	Miter angle	Finished piece
For inside corner	①	Right 45°	Save the right side of blade
	②	Left 45°	Save the left side of blade
For outside corner	③		Save the right side of blade
	④	Right 45°	Save the left side of blade

11. Groove cutting procedures

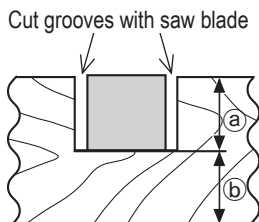


Fig. 44

6 mm depth adjustment bolt

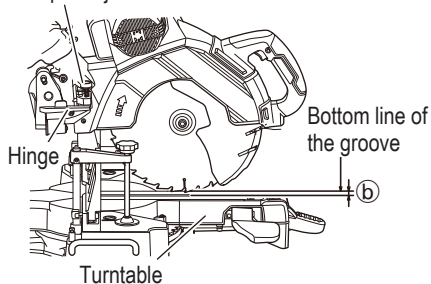


Fig. 45

Grooves in the workpiece can be cut as indicated in Fig. 44 by adjusting the 6 mm depth adjustment bolt.

Cutting depth adjustment procedure:

- (1) Lower the motor head, and turn the 6 mm depth adjustment bolt by hand shown in Fig. 45. (Where the head of the 6 mm depth adjustment bolt contacts the hinge.)

- (2) Adjust to the desired cutting depth by setting the distance between the saw blade and the surface of the turntable (see ⑥ in Fig. 44).

NOTE

When cutting a single groove at either end of the workpiece, remove the unneeded portion with a chisel.

12. Cutting easily-deformed materials, such as aluminum sash

Materials such as aluminum sash can easily deform when tightened too much in a vise assembly. This will cause inefficient cutting and possible overload of the motor. When cutting such materials, use a wood plate to protect the workpiece as shown in Fig. 46-a. Set the wood plate near the cutting section.

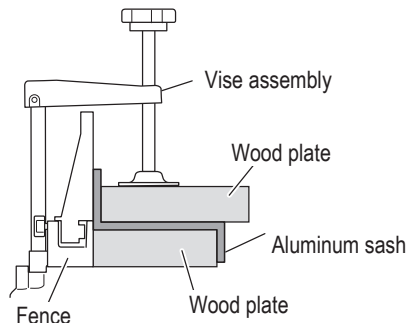


Fig. 46-a

When cutting aluminum materials, coat the saw blade with cutting oil (non-combustible) to achieve smooth cutting and a fine finish. In addition, in case of a U-shaped workpiece, use the wood plate as shown in Fig. 46-b to ensure stability in the lateral direction, and clamp it near the cutting section of the workpiece and tighten it using both the vise assembly and the clamp available in the market.

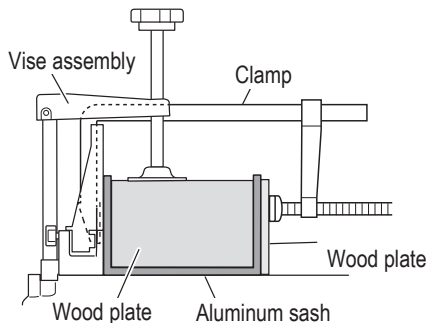


Fig. 46-b

13. Connecting the dust extractor (Sold separately) (Fig. 47)
 Do not inhale the harmful dusts generated in cutting operation.
 The dust can endanger the health of yourself and bystanders.
 Use of dust extractor can reduce dust related hazards.
 By connecting with dust extractor through adapter, joint and dust collection adapter, most of dust can be collected.
 Connect the dust extractor with adapter.
- (1) Connect in order of hose (id 38 mm x 3 m long) and adapter*2, joint (C)*1 and dust collection adapter*1 with the duct of power tool.
 Connection is done by pressing in the direction of the arrow. (Fig. 47)
 The dust collection adapter*1 is fixed to the duct by a hose band*1.

*1 Optional accessory

*2 Dust extractor's standard accessory

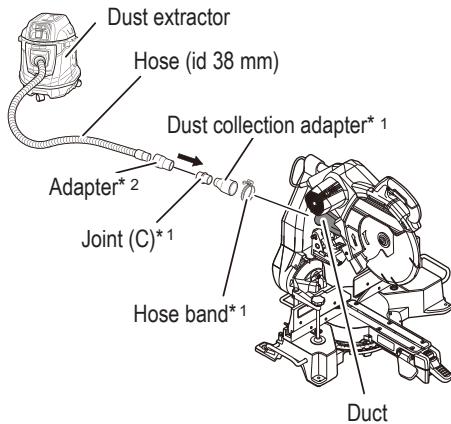


Fig. 47

OPTIONAL ACCESSORIES...sold separately

- Joint (C) (Code No. 337526)
- Dust collection adapter (with hose band) (Code No. 376291)

SAW BLADE MOUNTING AND DISMOUNTING

⚠ WARNING

- To prevent an accident or personal injury, always turn off the trigger switch and disconnect the power plug from the receptacle before removing or installing a saw blade. If cutting work is done in a state where the 10 mm bolt is not sufficiently tightened, the 10 mm bolt can get loose, the blade can come off, and the lower guard can get damaged, resulting in injuries. Also, check that the 10 mm bolts are properly tightened before plugging the power plug into the receptacle.
- If the 10 mm bolts are attached or detached using tools other than the 8 mm hex. bar wrench (standard accessory), excessive or improperly tightening occurs, resulting in injury.

1. Mounting the saw blade

- (1) Press in spindle lock and loosen 10 mm bolt with 8 mm hex. bar wrench (standard accessory).
 Since the 10 mm bolt is left-hand threaded, loosen by turning it to the right as shown in Fig. 48-a, Fig. 48-b.

NOTE

If the spindle lock cannot be easily pressed in to lock the spindle, turn the 10 mm bolt with 8 mm hex. bar wrench (standard accessory) while applying pressure on the spindle lock.

The saw blade spindle is locked when the spindle lock is pressed inward.

- (2) Remove the bolt and washer (B)

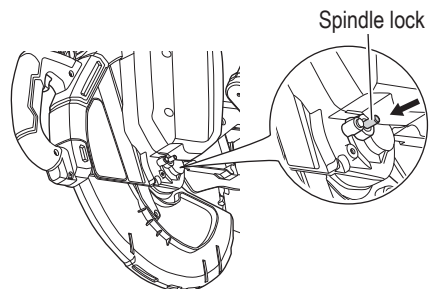


Fig. 48-a

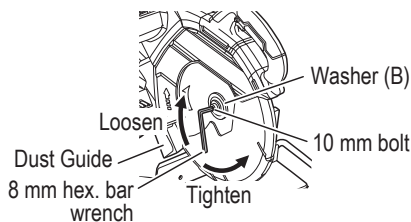


Fig. 48-b

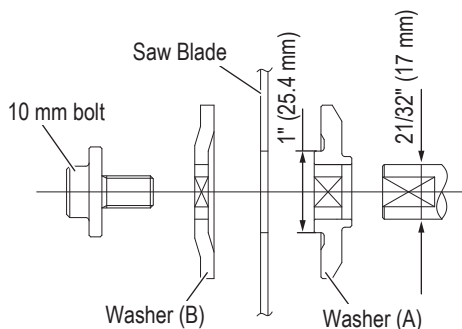


Fig. 48-c

- (3) Lift the lower guard and mount the saw blade.

⚠ WARNING

When mounting the saw blade, confirm that the rotation indicator mark on the saw blade and the rotation direction of the gear case (see Fig. 2) are properly matched.

- (4) Thoroughly clean washer (B) and the 10 mm bolt, and install them onto the saw blade spindle.

NOTE

When replacing the saw blade, be sure to thoroughly clean off any chips adhering to the washer (A) before installing the new saw blade. Be sure to install the washers (A) and (B) in the correct direction. (Fig. 48-c)

- (5) Press in the spindle lock and tighten the 10 mm bolt by turning it to the left by 8 mm hex. bar wrench (Standard accessory) as indicated in Fig. 48-b.

⚠ WARNING

Tighten the 10 mm bolt so it does not come loose during operation. Confirm the 10 mm bolt has been properly tightened before the power tool is started.

⚠ CAUTION

- A dust guide is installed inside behind the hinge. When removing or installing the saw blade, do not make contact with the dust guide. Contact may break or chip saw blade tips. (Fig. 48-b)
- Confirm that the spindle lock has returned to the retract position after installing or removing the saw blade.

2. Dismounting the saw blade

Dismount the saw blade by reversing the mounting procedures described in paragraph 1 above. The saw blade can easily be removed after lifting the lower guard.

⚠ CAUTION

Never attempt to install saw blades larger than 12" (305 mm) in diameter. Always install saw blades that are 11-9/16" (293 mm) to 12" (305 mm).

NOTE

After using the 8 mm hex. bar wrench, store it in your tool box not to lose it.

TRANSPORTATION OF THE MAIN BODY

⚠ WARNING

To avoid an accident or personal injury, always confirm that the trigger switch is turned OFF and the power plug has been disconnected from the receptacle before transportation of the main body.

The vice assembly could be dropped during transportation. Either remove the assembly or slip a piece of wood between the vice to firmly secure it. (Fig. 50)

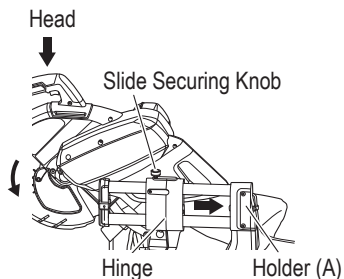


Fig. 49

Down the head and insert the locking pin (see page 13 “6. Releasing the locking pin”).

Also screw in the slide securing knob so that the hinge is positioned to hit the holder (A) and secure the head. (Fig. 49)

Lift up the miter lock handle, turn the turntable as far right as it will go, and secure the turntable by press down the miter lock handle to the fixed position. This will make the main body even more compact. (Fig. 50)

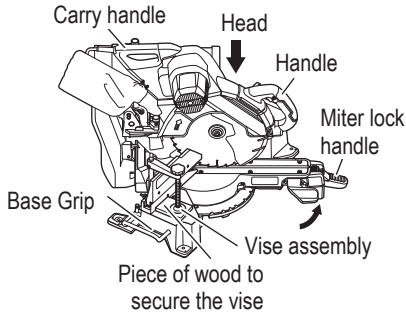


Fig. 50

When transporting the main body, carry it in your arms, holding the grip located on the base with both hands.

When transporting with two people, each person should use both their hands to hold the carry handle, handle and the base grip.

MAINTENANCE AND INSPECTION

⚠ WARNING

To avoid an accident or personal injury, always confirm that the trigger switch is turned OFF and the power plug has been disconnected from the receptacle before performing any maintenance or inspection of this tool.

Report to qualified person as soon as possible, if you discover the fault of machine including guards or blade saw.

1. Inspecting the saw blade
Always replace the saw blade immediately upon the first sign of deterioration or damage. A damaged saw blade can cause personal injury and a worn saw blade can cause ineffective operation and possible overload to the motor.

⚠ CAUTION

Never use a dull saw blade. When a saw blade is dull, its resistance to the hand pressure applied by the tool handle tends to increase, making it unsafe to operate the power tool.

2. Inspecting the carbon brushes (Fig. 51 and Fig. 52)
The carbon brushes in the motor are expendable parts. If the carbon brushes become excessively worn, motor trouble might occur. Therefore, inspect the carbon brushes periodically and replace them when they have become worn to the wear limit line as shown in Fig. 51. Also, keep the carbon brushes clean so that they will slide smoothly within the brush holders. The carbon brushes can easily be removed after removal of the brush caps (see Fig. 52) with a slotted (minus) screwdriver.

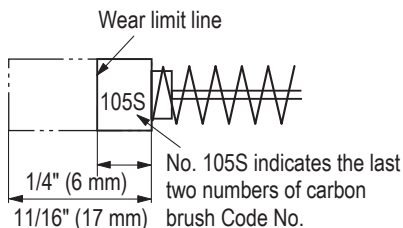


Fig. 51

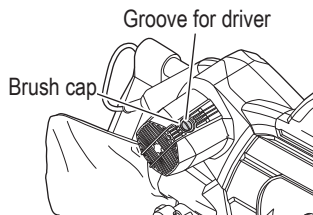


Fig. 52

NOTE

When replacing the carbon brushes, use only metabo HPT carbon brushes having "38" in the last two digit of its Code No. (see Fig. 51). If you use other carbon brushes, the electric brake will not operate.

3. About Handling the Motor (see Fig. 2)
Winding of the motor is said to be the heart of this tool. Exercise utmost caution not to damage the winding by exposing it to wash oil or water.

NOTE

Accumulation of dust and the like inside the motor can result in a malfunction. After using the motor for 50 hours or so, carry out no-load running, and blow in the dry air from a wind hole at the motor's rear. Such action is effective to discharge dust and the like.

4. Inspecting the screws
Regularly inspect each component of the power tool for looseness. Re-tighten screws on any loose part.

⚠ WARNING

To prevent personal injury, never operate the power tool if any components are loose.

5. Inspecting the lower guard for proper operation
Before each use of the tool, test the lower guard (see Fig. 8) to assure that it is in good condition and that it moves smoothly. Never use the tool unless the lower guard operates properly and it is in good mechanical condition.

NOTE

If the lower guard does not move smoothly, request repairs from the dealer from which you purchased the tool.

6. Storage

After operation of the tool has been completed, check that the following has been performed:

- (1) Trigger switch is in OFF position,
- (2) Power plug has been removed from the receptacle,

When the tool is not in use, keep it stored in a dry place out of the reach of children.

7. Lubrication

Lubricate the following sliding surfaces once a month to keep the power tool in good operating condition for a long time (see Fig. 2 and Fig. 3). Use of machine oil is recommended.

Oil supply points:

- Rotary portion of hinge
- Rotary portion of vise assembly
- Rotary portion of holder (A)

8. Cleaning

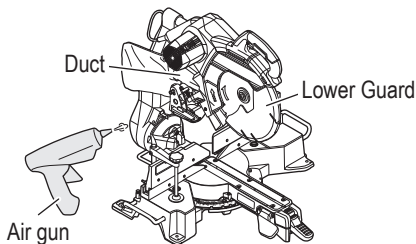


Fig. 53

Clean the machine, duct and lower guard by blowing with dry air from an air gun or other tool.

Periodically remove chips, dust and other waste material from the surface of the power tool, especially from the inside of the lower guard with a damp, soapy cloth. To avoid a malfunction of the motor, protect it from contact with oil or water.

If the LED light becomes invisible due to chips and the like adhered onto the window of the LED's light-emitting section, wipe and clean the window with a dry cloth or a soft cloth moistened with soapy water, etc.

⚠ CAUTION

In the operation and maintenance of power tools, the safety regulations and standards prescribed in each country must be observed.

MODIFICATIONS:

metabo HPT Power Tools are constantly being improved and modified to incorporate the latest technological advancements.

Accordingly, some parts may be changed without prior notice.

SERVICE AND REPAIRS

All quality power tools will eventually require servicing or replacement of parts because of wear from normal use.

To assure that only authorized replacement parts will be used, all service and repairs must be performed by a metabo HPT AUTHORIZED SERVICE CENTER, ONLY.

NOTE

Specifications are subject to change without any obligation on the part of metabo HPT.

ACCESSORIES

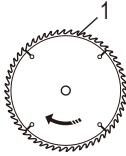

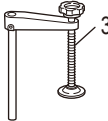

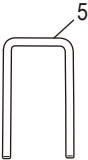
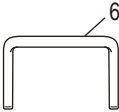
⚠ WARNING

ALWAYS use Only authorized metabo HPT replacement parts and accessories. **NEVER** use replacement parts or accessories which are not intended for use with this tool. Contact metabo HPT if you are not sure whether it is safe to use a particular replacement part or accessory with your tool.
The use of any other attachment or accessory can be dangerous and could cause injury or mechanical damage.

NOTE

Accessories are subject to change without any obligation on the part of the metabo HPT.

STANDARD ACCESSORIES

				
				
<ol style="list-style-type: none"> 1. 12" (305 mm) TCT Saw blade (For wood) (No. of teeth 32 Code No. 323522)..... 2. Dust bag (Code No. 322955M)..... 3. Vise Assembly (Code No. 339624)..... 4. 8 mm Hex. bar wrench (Code No. 955857)..... 5. Holder (Code No. 376730)..... 6. Side holder (Code No. 380332)..... 	<ol style="list-style-type: none"> 1 1 1 1 1 2 			

OPTIONAL ACCESSORIES.....SOLD separately

- Extension Holder and Stopper (for both sides) (Code No. 324369)
- Extension Holder (for single side) (Code No. 324464)
- Crown molding Vise Ass'y (Code No. 339660)
- Crown molding Stopper (L) (Code No. 339730)
- Crown molding Stopper (R) (Code No. 339731)

NOTE

Specifications are subject to change without any obligation on the part of the metabo HPT.

CONSIGNES DE SÉCURITÉ IMPORTANTES

Lire et comprendre toutes les précautions de sécurité, les avertissements et les instructions de fonctionnement dans ce mode d'emploi avant d'utiliser ou d'entretenir cet outil motorisé.

La plupart des accidents causés lors de l'utilisation ou de l'entretien de l'outil motorisé proviennent d'un non respect des règles ou précautions de base de sécurité. Un accident peut la plupart du temps être évité si l'on reconnaît une situation de danger potentiel avant qu'elle ne se produise, et en observant les procédures de sécurité appropriées.

Les précautions de base de sécurité sont mises en évidence dans la section "SECURITE" de ce mode d'emploi et dans les sections qui contiennent les instructions de fonctionnement et d'entretien.

Les dangers qui doivent être évités pour prévenir des blessures corporelles ou un endommagement de la machine sont identifiés par AVERTISSEMENTS sur l'outil motorisé et dans ce mode d'emploi.

NE JAMAIS utiliser cet outil motorisé d'une manière qui n'est pas spécifiquement recommandée par metabo HPT.





SIGNIFICATION DES MOTS D'AVERTISSEMENT

AVERTISSEMENT indique des situations potentiellement dangereuses qui, si elles sont ignorées, pourraient entraîner la mort ou de sérieuses blessures.

PRÉCAUTION indique des situations dangereuses potentielles qui, si elles ne sont pas évitées, peuvent entraîner de mineures et légères blessures ou endommager la machine.

REMARQUE met en relief des informations essentielles.

SIGNIFICATION DES SYMBOLES

Symboles			
Les symboles suivants sont utilisés pour l'outil. Bien se familiariser avec leur signification avant d'utiliser l'outil.			
	⚠️ AVERTISSEMENT Pour réduire tout risque de blessure, l'utilisateur doit lire le mode d'emploi.		⚠️ AVERTISSEMENT Toujours porter des verres de protection.
	⚠️ PRÉCAUTION Ne regardez pas fixement la lampe allumée.		⚠️ AVERTISSEMENT Porter des protections anti-bruit en permanence.

SECURITE

AVERTISSEMENTS DE SÉCURITÉ GÉNÉRAUX CONCERNANT LES OUTILS ÉLECTRIQUES

⚠️ AVERTISSEMENT

Lire toutes les consignes de sécurité, instructions, illustrations et spécifications fournies avec le présent outil électrique.
Le non-respect de toutes les instructions ci-dessous peut entraîner une décharge électrique, un incendie

et/ou de graves blessures.

Conservez tous les avertissements et toutes les instructions pour vous y référer ultérieurement.

Le terme "outil électrique", utilisé dans les

avertissements, se réfère aux outils électriques (câblé) ou aux outils à piles (sans fil).

1) Sécurité de l'aire de travail

a) Maintenir l'aire de travail propre et bien éclairée.

Les endroits encombrés ou sombres sont propices aux accidents.

b) Ne pas utiliser d'outils électriques en présence de liquides, gaz ou poussière inflammables, au risque de provoquer une explosion.

Les outils électriques créent des étincelles susceptibles d'enflammer la poussière.

c) Ne pas laisser les enfants et les visiteurs s'approcher de vous lorsque vous utiliser un outil électrique.

Les distractions peuvent faire perdre le contrôle.

2) Sécurité électrique

a) Les prises de l'outil électrique doivent correspondre à la prise secteur.

Ne jamais modifier la prise.

Ne pas utiliser d'adaptateurs avec les outils électriques mis à la masse.

Les prises non modifiées et les prises secteurs correspondantes réduisent les risques de choc électrique.

b) Éviter tout contact avec les surfaces mises à la masse, telles que les tuyaux, radiateurs, bandes et réfrigérateurs.

Le risque de choc électrique est accru en cas de mise à la masse du corps.

c) Ne pas exposer les outils électriques à la pluie ou à des conditions humides.

Si l'eau pénètre dans l'outil, cela augmente les risques de choc électrique.

d) Ne pas utiliser le cordon à tort. Ne jamais utiliser le cordon pour transporter ou débrancher l'outil électrique.

Maintenir le cordon loin de la chaleur, de l'huile, des bords pointus ou des pièces mobiles.

Les cordons endommagés ou usés augmentent les risques de choc électrique.

e) En cas d'utilisation d'un outil électrique à l'extérieur, utiliser un cordon de rallonge adapté à un usage extérieur.

L'utilisation d'un cordon adapté à l'usage extérieur réduit les risques de choc électrique.

f) Si vous devez utiliser un outil électrique dans un endroit humide, utilisez une alimentation protégée contre les courants résiduels.

L'utilisation d'un dispositif de protection contre les courants résiduels réduit le risque de choc électrique.

3) Sécurité personnelle

a) Restez alerte, regarder ce que vous faites et usez de votre bon sens en utilisant un outil électrique.

Ne pas utiliser d'outil électrique si vous êtes sous l'influence de drogues, d'alcool ou de médicaments.

Pendant l'utilisation d'outils électrique, un instant d'inattention peut entraîner des blessures graves.

b) Utiliser un équipement de protection individuelle. Toujours porter des verres de protection.

Un équipement de protection tel qu'un masque anti-poussière, des chaussures de sécurité antidérapantes, un casque de protection ou une protection auditive, utilisé dans des conditions appropriées réduira les risques de blessures.

c) Empêcher les démarrages intempestifs. Veiller à ce que l'interrupteur soit en position d'arrêt avant de brancher à une source d'alimentation et/ou une batterie, de ramasser l'outil au sol ou de le transporter.

Transporter les outils électriques avec le doigt sur l'interrupteur ou brancher les outils électriques avec l'interrupteur en position de marche peut entraîner des accidents.

d) Retirer toute clé de sécurité ou clé avant de mettre l'outil électrique en marche.

Laisser une clé ou une clé de sécurité sur une partie mobile de l'outil électrique peut engendrer des blessures.

e) Ne pas trop se pencher. Toujours garder une bonne assise et un bon équilibre pendant le travail.

Cela permet un meilleur contrôle de l'outil électrique dans des situations imprévisibles.

f) Porter des vêtements adéquats. Ne pas porter de vêtements amples ni de bijoux. Maintenir les cheveux et les vêtements loin des pièces mobiles.

Les vêtements amples ou les cheveux longs peuvent se prendre dans les pièces mobiles.

g) En cas de dispositifs destinés au raccordement d'installations d'extraction et de recueil de la poussière, veiller à ce qu'ils soient correctement raccordés et utilisés.

L'utilisation d'un dispositif de collecte de la poussière peut réduire les dangers associés à la poussière.

- h) **Ne pas laisser la familiarité due à une utilisation fréquente des outils vous faire baisser la garde et ignorer les principes de sécurité de l'outil.**

Une fraction de seconde d'inattention peut causer de graves blessures.

4) **Utilisation et entretien d'un outil électrique**

- a) **Ne pas forcer sur l'outil électrique. Utiliser l'outil électrique adapté à vos travaux.**

Le bon outil électrique fera le travail mieux et en toute sécurité au régime pour lequel il a été conçu.

- b) **Ne pas utiliser l'outil électrique si l'interrupteur ne le met pas en position de marche et d'arrêt.**

Tout outil ne pouvant être contrôlé par l'interrupteur est dangereux et doit être réparé.

- c) **Débrancher la fiche de la source d'alimentation et/ou retirer la batterie, si elle est amovible, de l'outil électrique avant de procéder à tout réglage, changer d'accessoires ou ranger les outils électriques.**

Ces mesures préventives de sécurité réduisent les risques de démarrage accidentel de l'outil électrique.

- d) **Stockez les outils électriques inutilisés hors de la portée des enfants et ne pas laisser des personnes non familiarisées avec l'outil ou ces instructions utiliser l'outil électrique.**

Les outils électriques sont dangereux entre les mains d'utilisateurs non habilités.

- e) **Entretien des outils électriques et les accessoires. Contrôler tout mauvais alignement ou grippage des pièces mobiles, toute rupture de pièces et toute autre situation pouvant affecter le fonctionnement de l'outil électrique.**

Faire réparer l'outil électrique endommagé avant toute utilisation.

De nombreux accidents sont dus à des outils mal entretenus.

- f) **Maintenir les outils coupants aiguisés et propres.**

Des outils coupants bien entretenus avec des bords aiguisés sont moins susceptibles de se coincer et plus simples à contrôler.

- g) **Utiliser l'outil électrique, les accessoires et les mèches de l'outil, etc. conformément à ces instructions en tenant compte des conditions d'utilisation et du travail à réaliser.**

L'utilisation de l'outil électrique pour des opérations différentes de celles pour lesquelles il a été conçu est dangereuse.

- h) **Conserver les poignées et les surfaces de prise sèches, propres et exemptes d'huile et de graisse.**

Des poignées et des surfaces de prise glissantes ne permettent pas une manipulation sûre et la maîtrise de l'outil en cas de situations imprévues.

5) **Service**

- a) **Faire entretenir l'outil électrique par un technicien habilité à l'aide de pièces de rechange identiques exclusivement.**

Cela garantira le maintien de la sécurité de l'outil électrique.

PRÉCAUTION

Tenez les enfants et les personnes infirmes à l'écart. Lorsqu'ils ne sont pas utilisés, les outils devraient être rangés hors de la portée des enfants et des personnes infirmes.

CONSIGNES DE SÉCURITÉ POUR SCIES À ONGLET

1. **Les scies à onglet sont conçues pour couper le bois ou les produits similaires au bois, elles ne peuvent pas être utilisées avec des meules à tronçonner abrasives pour couper des matériaux ferreux comme des barres, des tiges, des goujons, etc.**
La poussière abrasive cause le blocage des pièces en mouvement comme la protection inférieure. Des étincelles du tronçonnage abrasif brûleront la protection inférieure, le pare-éclats et les autres pièces en plastique.
2. **Utilisez des dispositifs de serrage pour soutenir la pièce lorsque cela est possible. Si vous soutenez la pièce avec la main, vous devez toujours maintenir votre main à au moins 100 mm de tout côté de la lame de scie. N'utilisez pas cette scie pour couper des pièces qui sont trop petites pour être serrées de façon sécuritaire ou tenues à la main.**
Si votre main est placée trop près de la lame de scie, il y a un risque accru de blessure suite au contact de la lame.
3. **La pièce doit être stationnaire et serrée ou tenue à la fois contre le guide et la table. N'entraînez en aucun cas la pièce dans la lame ou coupez à main levée.**
Les pièces incontrôlées ou en mouvement pourraient être jetées à grande vitesse, causant des blessures.
4. **Poussez la lame à travers la pièce. Ne tirez pas la lame à travers la pièce. Pour faire une coupe, soulevez la tête de scie et tirez-la par dessus la**

pièce sans couper, démarrez le moteur, appuyez la tête de scie vers le bas et poussez la scie à travers la pièce.

Si vous coupez en tirant, vous risquez de faire grimper la lame de scie sur le haut de la pièce et de violemment jeter l'ensemble de la lame en direction de l'opérateur.

5. **Ne croisez jamais vos mains par dessus le trait de coupe prévu que ce soit devant ou derrière la lame de scie.**

Soutenir la pièce les mains croisées, à savoir en tenant la pièce vers la droite de la lame de scie avec votre main gauche ou vice versa est très dangereux.

6. **N'atteignez pas le dos du guide avec une main plus proche que 100 mm de tout côté de la lame de scie pour retirer des chutes de bois, ou pour toute autre raison alors que la lame tourne.**

La proximité de la lame de scie tournante avec votre main peut ne pas être évidente et vous pourriez être gravement blessé.

7. **Inspectez votre pièce avant la coupe. Si la pièce est arquée ou déformée, serrez-la avec la face externe arquée tournée vers le guide. Assurez-vous toujours qu'il n'y a pas d'espace entre la pièce, le guide et la table le long du trait de coupe.**

Les pièces pliées ou déformées peuvent se tordre ou bouger, et causer le grippage de la lame de scie en rotation pendant la coupe. Il ne devrait pas y avoir de clous ou de corps étrangers dans la pièce.

8. **N'utilisez pas la scie tant que la table n'est pas dégagée de tous les outils, chutes de bois, etc., sauf pour la pièce.**

Les petits débris ou les petits morceaux de bois ou autres objets qui entrent en contact avec la lame en rotation peuvent être jetés à grande vitesse.

9. **Coupez seulement une pièce à la fois.**

Les multiples pièces empilées ne peuvent pas être serrées ou unies correctement et peuvent gripper la lame ou bouger pendant la coupe.

10. **Assurez-vous que la scie à onglet est montée ou placée sur une surface de travail plane et ferme avant utilisation.**

Une surface de travail plane et ferme réduit le risque que la scie à onglet devienne instable.

11. **Planifiez votre travail. Chaque fois que vous changez le réglage des angles d'onglet et de biseau, assurez-vous que le guide réglable est**

correctement réglé pour soutenir la pièce et ne perturbera pas la lame ou le système de protection.

Sans placer l'outil sur Marche et sans pièce sur la table, déplacez la lame de scie à travers une coupe simulée complète pour assurer qu'il n'y a pas d'interférence ou de danger de couper le guide.

12. **Prévoyez un soutien adéquat comme des extensions de table, des chevalets de sciage, etc., pour une pièce qui est plus large ou plus longue que le haut de la table.**

Les pièces plus longues ou plus larges que la table de la scie à onglet peuvent basculer si elles ne sont pas soutenues de façon sécuritaire. Si la pièce découpée ou la pièce bascule, elle peut soulever la protection inférieure ou être jetée par la lame en rotation.

13. **N'utilisez pas une autre personne comme substitut pour une extension de table ou comme soutien additionnel.**

Un soutien instable pour la pièce peut causer le grippage de la lame ou le décalage de la pièce pendant l'opération de coupe vous tirant vous et l'aidant dans la lame en rotation.

14. **La pièce découpée ne doit pas être bloquée ou appuyée par quelque procédé que ce soit contre la lame de scie en rotation.**

Si confinée, à savoir au moyen de butées longitudinales, la pièce découpée pourrait être enfoncée contre la lame et jetée violemment.

15. **Utilisez toujours un dispositif de serrage ou de fixation conçu pour soutenir correctement les matériaux ronds comme les tiges ou les tubes.**

Les tiges ont tendance à rouler pendant la coupe, faisant « mordre » la lame et tirant la pièce avec votre main dans la lame.

16. **Laissez la lame atteindre la pleine vitesse avant d'entrer en contact avec la pièce.**

Cela réduira le risque que la pièce soit jetée.

17. **Si la pièce ou la lame est coincée, éteignez la scie à onglet. Attendez que toutes les pièces en mouvement s'arrêtent et débranchez la fiche de la source d'alimentation et/ou retirez la batterie. Puis travaillez pour retirer le matériau coincé.**

Si vous continuez à scier avec une pièce coincée, cela pourrait causer une perte de contrôle ou endommager la scie à onglet.

18. **Après avoir fini la coupe, relâchez la gâchette, maintenez vers le bas la tête de scie et attendez que la lame s'arrête avant de retirer la pièce découpée.**

Approcher votre main de la lame en roue libre est dangereux.

19. **Tenez fermement la poignée lorsque vous faites une coupe incomplète ou lorsque vous relâchez la gâchette avant que la tête de scie ne soit complètement sur la position basse.**

L'action de freinage de la scie peut faire que la tête de scie est tirée brusquement vers le bas, causant un risque de blessure.

RÈGLES DE SÉCURITÉ SPÉCIFIQUES POUR L'UTILISATION DE CET OUTIL ÉLECTRIQUE

AVERTISSEMENT

Pour éviter tout risque de blessure, les consignes de sécurité spéciales suivantes devront être respectées lors de l'utilisation de l'outil.

CHOSSES À FAIRE

TOUJOURS OBSERVER LES CONSIGNES SUIVANTES POUR GARANTIR UNE UTILISATION EN TOUTE SÉCURITÉ:

1. Bien lire le manuel et se familiariser avec les consignes de sécurité et les instructions d'utilisation de l'OUTIL ÉLECTRIQUE avant de l'utiliser.
2. Retirer tous les matériaux d'emballage qui sont attachés ou connectés à l'outil avant d'essayer de le faire fonctionner.
3. Toujours vérifier que l'OUTIL ÉLECTRIQUE est propre avant de l'utiliser.
4. Toujours porter des vêtements bien ajustés et des chaussures anti-dérapantes (de préférence avec des doigts de pied en acier) et des lunettes de protection lorsqu'on utilise l'OUTIL ÉLECTRIQUE.
5. Toujours manier l'OUTIL ÉLECTRIQUE avec soin. Si l'OUTIL ÉLECTRIQUE tombe ou qu'il heurte un objet dur, il risque de se déformer, de se fendiller ou autre dommage.
6. Toujours cesser immédiatement d'utiliser la scie si l'on remarque quelque chose d'anormal.
7. Toujours vérifier que les pièces sont toutes correctement montées et fixées avant d'utiliser l'outil.
8. Pour le remplacement de la lame, toujours vérifier que le régime nominal de la nouvelle lame convient pour l'outil.
9. Toujours mettre l'outil hors tension et attendre que la lame ait complètement cessé de tourner avant tout remplacement ou tout réglage.
10. Pendant une coupe avec chariot, toujours repousser la lame loin de l'opérateur.
11. Toujours visser ou fixer la pièce sur la garde, pour qu'elle ne risque pas d'être éjectée de la table et de provoquer des blessures.

12. Pendant une coupe d'onglet ou de biseau, toujours attendre que la lame ait complètement cessé de tourner avant de la relever.
13. Toujours faire un essai avant d'utiliser la scie pour un nouvel usage.
14. Toujours manipuler la scie avec soin lorsqu'on la démonte ou qu'on la monte.
15. Toujours vérifier qu'il n'y a ni clou ni aucun autre corps étranger dans la pièce avant de commencer une coupe.
16. Toujours éloigner les mains du trajet de lame.
17. Toujours vérifier que la protection inférieure est en place avant d'utiliser la scie.
18. Toujours vérifier que la protection inférieure ne gêne pas le mouvement du chariot avant toute coupe avec chariot.
19. Inspecter périodiquement les cordons d'alimentation.
20. Le cas échéant, toujours vérifier que l'on utilise des cordons et des rallonges du type et de la longueur voulus avant de mettre l'outil en marche.
21. Toujours vérifier que les événements d'aération du moteur sont complètement dégagés avant d'utiliser l'outil.
22. Toujours attendre que le moteur ait atteint sa vitesse de régime avant d'entamer une coupe.
23. Toujours maintenir les poignées sèches, propres et sans huile ni graisse. Tenir l'outil fermement pendant le travail.
24. Toujours utiliser des supports extérieurs pour soutenir les pièces longues qui dépassent de la table de la scie à coupe d'onglet.
25. Toujours commencer par s'assurer que la pièce est correctement fixée dans un étau.
26. Le mode d'emploi fourni avec l'outil explique à l'utilisateur comment fixer l'outil sur la structure de support si, pendant un fonctionnement normal, l'outil a tendance à se renverser, à glisser, ou à se déplacer sur la surface de support.
27. Assurez-vous que la machine soit stable avant chaque coupe.
28. Si la lame de scie se coince, mettez la machine hors tension et maintenez la pièce jusqu'à ce que la lame de scie s'arrête complètement. Pour éviter tout recul, la pièce ne peut être déplacée qu'après l'arrêt complet de machine. Remédiez à la cause du problème du blocage de la lame de scie avant de redémarrer la machine.
29. Utilisez uniquement des lames de scie dont la vitesse maximale autorisée est égale ou supérieure à la vitesse à vide indiquée sur l'OUTIL ÉLECTRIQUE.
30. Utilisez uniquement une lame de scie dont le diamètre correspond aux repères sur l'OUTIL ÉLECTRIQUE.
31. Remplacez l'insert de table lorsqu'il est usé.

CHOSSES A NE PAS FAIRE

POUR GARANTIR UNE UTILISATION EN TOUTE SÉCURITÉ, NE JAMAIS VIOLER LES CONSIGNES SUIVANTES:

1. Ne jamais utiliser l'OUTIL ELECTRIQUE si l'on ne comprend pas bien les instructions de ce manuel.
2. Ne jamais s'éloigner de l'OUTIL ELECTRIQUE sans débrancher auparavant son cordon d'alimentation.
3. Ne jamais utiliser l'OUTIL ELECTRIQUE quand on est fatigué, après avoir pris des médicaments ou consommé des boissons alcoolisées.
4. Ne jamais utiliser l'OUTIL ELECTRIQUE pour des applications non spécifiées dans ce mode d'emploi.
5. Ne jamais faire fonctionner l'outil si l'on porte des vêtements lâches, une cravate ou des bijoux, ou sans se couvrir les cheveux, pour éviter qu'ils ne se prennent dans les pièces mobiles.
6. Ne jamais s'approcher de la lame.
7. Ne jamais toucher les pièces en mouvement, y compris la lame, pendant le fonctionnement de la scie.
8. Ne jamais retirer les dispositifs de sécurité ni les protections de lame; l'utilisation de l'outil serait dangereuse sans ces pièces.
9. Ne jamais verrouiller le protection inférieure; toujours vérifier qu'il glisse régulièrement avant d'utiliser l'outil.
10. Ne jamais endommager le cordon d'alimentation de l'outil.
11. Quand l'OUTIL ELECTRIQUE est branché, ne jamais tenter de le déplacer avec le doigt sur l'interrupteur de marche.
12. Ne jamais utiliser l'OUTIL ELECTRIQUE si l'interrupteur de marche ne fonctionne pas correctement.
13. Ne jamais utiliser l'OUTIL ELECTRIQUE si le logement en plastique ou la poignée sont déformés ou fendillés.
14. Ne jamais utiliser l'OUTIL ELECTRIQUE à proximité d'un liquide ou d'un gaz inflammable, car les étincelles pourraient provoquer une explosion.
15. Ne jamais nettoyer les composants en plastique avec des solvants car cela risquerait de dissoudre le plastique.
16. Ne jamais faire fonctionner la scie si les protections de lame ne sont pas toutes en place.
17. Ne jamais relever la lame de la pièce tant que la lame n'est pas complètement arrêtée.
18. Lors d'une coupe avec chariot, ne jamais tirer la poignée vers l'opérateur car cela pourrait provoquer un retour de lame. Toujours repousser la poignée loin de l'opérateur d'un mouvement régulier et ininterrompu.

19. Ne jamais amener les membres à l'intérieur de la ligne à côté du signe d'avertissement "⚠" quand l'outil fonctionne. Cela pourrait être dangereux.
20. Ne jamais utiliser de lames de type abrasif avec cette scie.
21. Ne jamais exposer à la pluie ni utiliser dans un endroit humide.
22. Ne jamais couper de métaux ferreux ni de maçonnerie.
23. Ne pas remplacer la DEL d'éclairage par une DEL d'un autre type.
24. Ne vous tenez pas debout dans une ligne avec la lame de scie à l'avant de la machine. Tenez-vous toujours à côté de la lame de scie. Cela protège votre corps contre les risques de recul. N'approchez jamais vos mains, vos doigts et vos bras de la lame de scie.
25. Ne croisez pas vos bras lors de l'utilisation du bras de l'outil.
26. Lorsque la tête de scie est en position basse, ne relâchez jamais la main qui saisit la poignée. Cela pourrait faire basculer la tête de scie vers le haut et forcer l'outil à tomber et éventuellement provoquer des blessures.

⚠ AVERTISSEMENT

POUR VOTRE PROPRE SÉCURITÉ, LIRE CE MANUEL D'INSTRUCTIONS AVANT DE FAIRE FONCTIONNER LA SCIE À COUPE D'ONGLET RADIALE.

1. S'assurer de bien tenir l'outil pendant le fonctionnement. Le non-respect de cette consigne peut entraîner des accidents ou des blessures. (Fig. 1)

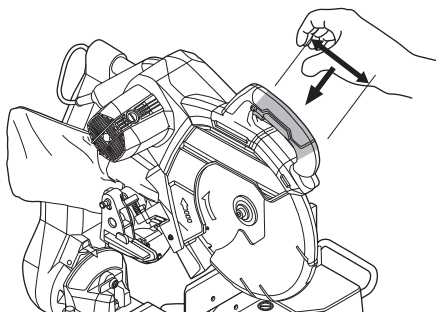


Fig. 1

2. Toujours porter des lunettes de protection lorsqu'on utilise la scie à coupe d'onglet radiale.
3. Toujours éloigner les mains du trajet de lame.
4. Ne jamais faire fonctionner la scie si les protections ne sont pas en place.

5. Ne jamais effectuer d'opération à la volée avec la scie à coupe d'onglet radiale.
6. Ne jamais s'approcher de la lame.
7. Toujours mettre la scie hors tension et attendre que la lame ait complètement cessé de tourner avant de déplacer la pièce ou de modifier les réglages.
8. Toujours débrancher l'alimentation avant de changer la lame ou de procéder au dépannage.
9. Le diamètre de la lame est de 12" (305 mm).
10. La vitesse à vide est de 4 000 /min.
11. Pour réduire tout risque de blessure, ramener le chariot complètement vers l'arrière après chaque opération de coupe.
12. Définitions pour les symboles utilisés sur cet outil
 V volts
 Hz hertz
 A ampères
 No Vitesse à vide
 W watts
 □ Construction de classe II
 ---/min..... rotations ou mouvements de va-et-vient par minute
 ~ Courant alternatif

Tableau 1

CALIBRE MINIMUM POUR LES CORDONS					
Intensité nominale		Calibre du cordon			
Supérieure à	Non Supérieure à	Longueur totale de cordon en pieds (mètres)			
		25 (7,6)	50 (15,2)	100 (30,5)	150 (45,7)
0-6		18	16	16	14
0-6		18	16	14	12
10-12		16	16	14	12
12-16		14	12	Non recommandé	

⚠ AVERTISSEMENT

Éviter tout risque de choc électrique. Ne jamais utiliser l'outil avec un cordon électrique ou un cordon de rallonge endommagé ou dénudé. Inspecter régulièrement les cordons électriques. Ne jamais utiliser dans l'eau ou à proximité d'eau, ni dans un environnement susceptible de provoquer un choc électrique.

PIECES DE RECHANGE

Pour les réparations, utiliser exclusivement des pièces de rechange identiques. Les réparations devront être effectuées exclusivement par un centre de service après-vente metabo HPT agréé.

UTILISER LE CORDON DE RALLONGE APPROPRIÉ

Utiliser exclusivement un cordon de rallonge en bon état. Lorsqu'on utilise un cordon de rallonge, veiller à ce qu'il soit suffisamment lourd pour supporter le courant dont l'appareil aura besoin. Un cordon trop petit provoquera une chute de la tension de ligne, ce qui entraînera une perte de puissance et une surchauffe. Le tableau indique le calibre à utiliser en fonction de la longueur du cordon et de l'intensité nominale indiquée sur la plaque signalétique. En cas de doute, utiliser un calibre supérieur. Plus le numéro du calibre est petit, plus le cordon est lourd.

DOUBLE ISOLATION POUR UN FONCTIONNEMENT PLUS SUR

Pour assurer un fonctionnement plus sûr de cet outil électrique, metabo HPT a adopté une conception à double isolation. "Double isolation" signifie que deux systèmes d'isolation physiquement séparés ont été utilisés pour isoler les matériaux conducteurs d'électricité connectés à l'outil électrique à partir du cadre extérieur manipulé par l'utilisateur. C'est pourquoi, le symbole "□" ou les mots "Double insulation" (double isolation) apparaissent sur l'outil électrique ou sur la plaque signalétique. Bien que ce système n'ait pas de mise à la terre extérieure, il est quand même nécessaire de suivre les précautions de sécurité électrique données dans ce mode d'emploi, y compris de ne pas utiliser l'outil électrique dans un environnement humide.

Pour garder le système de double isolation effectif, suivre ces précautions:

- Seuls les CENTRES DE SERVICE AUTORISES metabo HPT peuvent démonter et remonter cet outil électrique et uniquement des pièces de rechange metabo HPT garanties d'origine doivent être utilisées.

- Nettoyer l'extérieur de l'outil électrique uniquement avec un chiffon doux légèrement imbibé d'une solution savonneuse et essuyer minutieusement.
- Ne jamais utiliser de solvants, d'essence ou de diluants sur les parties en plastique; sinon le plastique risquerait de se dissoudre.

**CONSERVER CES INSTRUCTIONS
ET
LES METTRE A LA DISPOSITION DES AUTRES
UTILISATEURS
ET
PROPRIETAIRES DE CET OUTIL!**

DESCRIPTION FONCTIONNELLE

REMARQUE

Les informations contenues dans ce mode d'emploi sont conçues pour assister l'utilisateur dans une utilisation sans danger et un entretien de l'outil motorisé.

NE JAMAIS utiliser ni entreprendre une révision de l'outil sans avoir d'abord lu et compris toutes les instructions de sécurité contenues dans ce manuel.

Certaines illustrations dans ce mode d'emploi peuvent montrer des détails ou des accessoires différents de ceux de l'outil motorisé utilisé.

NOM DES PIÈCES

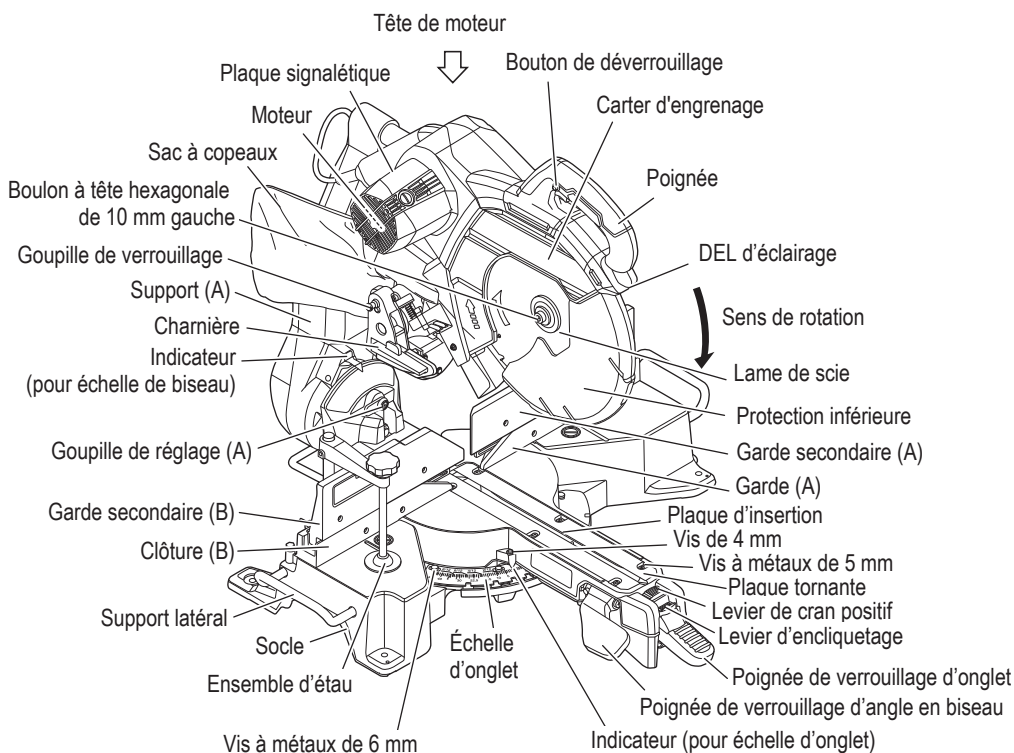


Fig. 2

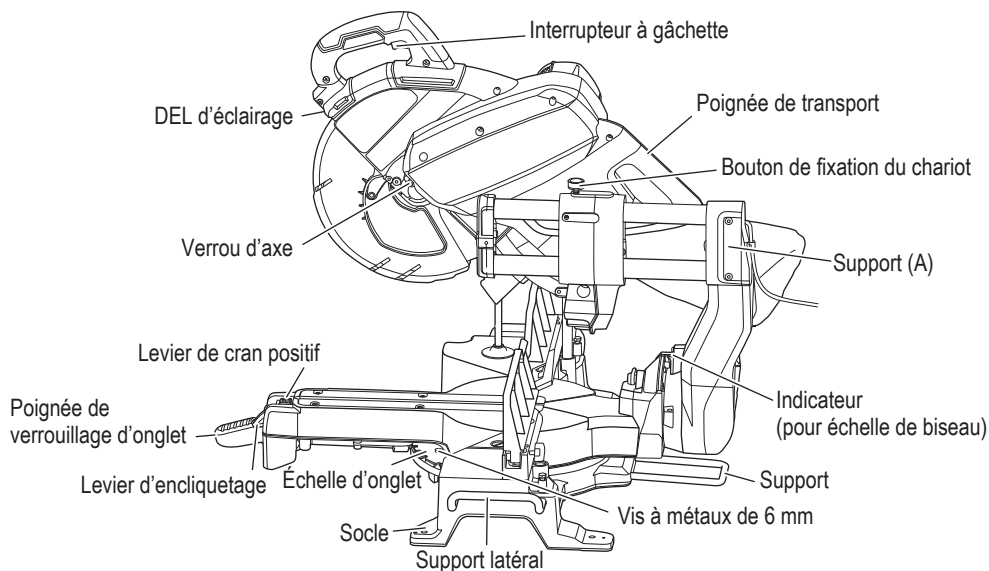


Fig. 3

SPÉCIFICATIONS

Modèle		C 12RSH3
Moteur	Type	Moteur à commutateur série
	Alimentation	Courant alternatif monophasé 60 Hz
	Tension	120 V
	Courant à pleine charge	15 A
DEL d'éclairage		Oui
Lame applicable		Dia. Extérieur 12" (305 mm), Dia. d'orifice 1" (25,4 mm) Incision maximale de la scie 7/64" (2,8 mm)
Vitesse à vide		4 000 /min
Plage de coupe d'onglet		0°-45° à gauche 0°-57° à droite
Plage de coupe de biseau		0°-45° à gauche 0°-45° à droite
Plage de coupe mixte	0°-45° à gauche (biseau)	0°-45° à gauche (onglet), 0°-45° à droite (onglet)
	0°-45° à droite (biseau)	0°-45° à droite (onglet), 0°-45° à gauche (onglet)
Poids net		56,1 lbs. (25,4 kg)
Cordon		Câble à 2 conducteurs de 6ft. (1,8 m)

Tableau 2: Dimension de coupe max.

	Tête	Plaque tournante	Dimension de coupe max.		
			Hauteur max.	Largeur max.	Avec planche aux.
Coupe d'onglet	0	0	4-3/16" (107 mm)	12-1/4" (312 mm)	-
			* 4-11/16" (120 mm)	10-3/16" (260 mm)	1" (25 mm)
		Gauche 45° ou Droit 45°	4-3/16" (107 mm)	8-5/8" (220 mm)	-
			* 4-11/16" (120 mm)	7-1/16" (180 mm)	1" (25 mm)
		Droit 57°	4-3/16" (107 mm)	6-11/16" (170 mm)	-
			* 4-3/4" (120 mm)	5-1/8" (130 mm)	1" (25 mm)
Coupe de biseau	Gauche 45°	0	2-3/4" (70 mm)	12-1/4" (312 mm)	-
			* 2-15/16" (75 mm)	10-3/16" (260 mm)	1" (25 mm)
	Droit 45°	0	1-3/4" (45 mm)	12-1/4" (312 mm)	-
			* 1-15/16" (50 mm)	10-3/16" (260 mm)	1" (25 mm)
Coupe mixte	Gauche 45°	Gauche 45°	2-3/4" (70 mm)	8-5/8" (220 mm)	-
			* 2-15/16" (75 mm)	7-1/16" (180 mm)	1" (25 mm)
		Droit 45°	2-3/4" (70 mm)	8-5/8" (220 mm)	-
			* 2-15/16" (75 mm)	7-1/16" (180 mm)	1" (25 mm)
	Droit 45°	Gauche 45°	1-3/4" (45 mm)	8-5/8" (220 mm)	-
			* 1-15/16" (50 mm)	7-1/16" (180 mm)	1" (25 mm)
		Droit 45°	1-3/4" (45 mm)	8-5/8" (220 mm)	-
			* 1-15/16" (50 mm)	7-1/16" (180 mm)	1" (25 mm)

Lors de la coupe d'une pièce d'une dimension de « * », il est possible que l'extrémité inférieure de la scie circulaire touche la pièce, même si la tête du moteur se trouve située à la limite inférieure. Faire attention lors de la coupe. Pour les détails, voir « APPLICATIONS PRATIQUES », à la page 56. Monter la planche auxiliaire sur la surface de la garde. Voir « 5. Coupe de pièces volumineuses », page 58 (Fig. 27).

ASSEMBLAGE ET FONCTIONNEMENT

UTILISATIONS

- Coupe de divers types de bois.
- Coupe de châssis en aluminium.

PRÉPARATION AVANT L'UTILISATION

1. Source d'alimentation
S'assurer que la source d'alimentation utilisée est conforme aux exigences de source d'alimentation spécifiées sur la plaque signalétique du produit.
2. Interrupteur d'alimentation
S'assurer que l'interrupteur est sur la position d'arrêt. Si la fiche est branchée dans une prise alors que l'interrupteur est sur la position de marche, l'outil électrique se mettra immédiatement à fonctionner et pourra causer de graves blessures.
3. Cordon prolongateur
Quand l'espace de travail est éloigné de la source de courant, utiliser un cordon prolongateur d'épaisseur suffisante et de la capacité nominale. Le cordon prolongateur devrait être conservé aussi que court que possible.



⚠ AVERTISSEMENT

Un cordon endommagé doit être remplacé ou réparé.

4. Retirer tous les matériaux d'emballage qui sont attachés ou connectés à l'outil avant d'essayer de le faire fonctionner.
5. Installation
Fixer l'outil électrique sur un établi horizontal et de niveau conformément à la Fig. 4. Sélectionner des boulons d'un diamètre 5/16" (8 mm) dont la longueur convient pour l'épaisseur de l'établi. La longueur des boulons devra être d'au moins 1-9/16" (40 mm) plus l'épaisseur de l'établi. Par exemple, utiliser des boulons de 2-9/16" (65 mm) ou plus avec un établi de 1" (25 mm) d'épaisseur.

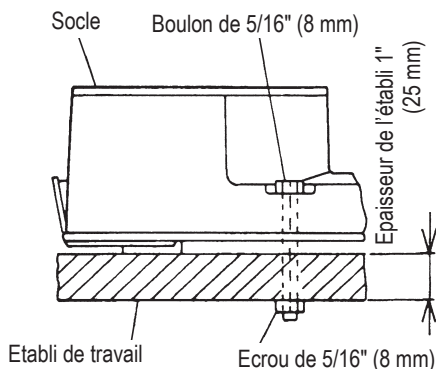
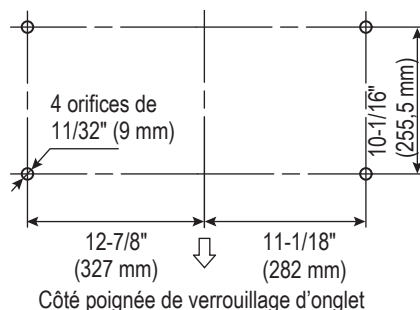


Fig. 4

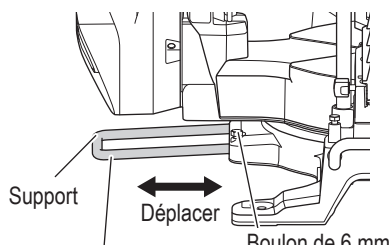
Le support fixé à l'arrière du socle aide à stabiliser l'outil électrique.

Réglage du support

Desserrer le boulon de 6 mm à l'aide de la clé à douille de 10 mm.

Régler le support jusqu'à ce que sa surface inférieure soit en contact avec la surface du banc.

Après le réglage, visser le boulon de 6 mm à fond.



Régler le support jusqu'à ce que sa surface inférieure soit en contact avec la surface du banc.

Fig. 5

6. Libérer la goupille de verrouillage
 Quand l'outil électrique quitte nos usines, ses pièces principales sont fixées à l'aide d'une goupille de verrouillage.
 Enfoncer légèrement vers le bas la poignée et sortir la goupille de sécurité pour débloquer la tête de coupe.
 Pendant le transport, verrouiller la goupille de verrouillage dans le carter d'engrenage.

Goupille de verrouillage

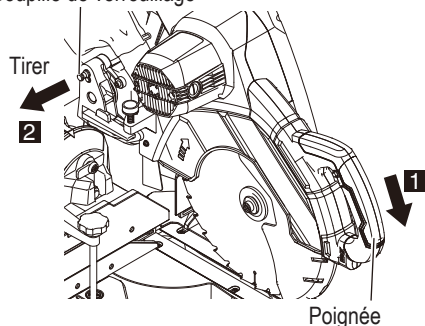


Fig. 6

7. Installer le sac à copeaux, le support latéral, la butée et les étaux
 (La butée est un accessoire en option.)
 Pour vider le sac à copeaux, sortir l'ensemble du sac à copeaux du capteur de poussière. Ouvrir la fermeture éclair sous le sac et vider dans la poubelle.
Inspecter fréquemment et vider le sac à copeaux avant qu'il ne soit plein.

Lors de la coupe en biseau, régler la barre de soutien et installer le sac à copeaux de sorte qu'il soit suspendu verticalement.

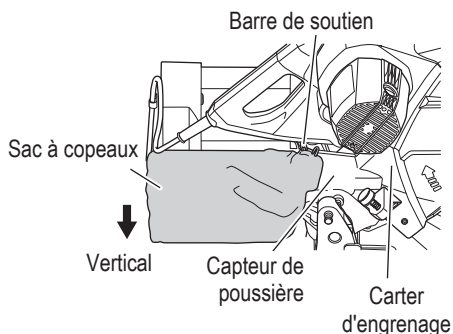


Fig. 7

⚠ AVERTISSEMENT

Ne pas utiliser cette scie pour couper et/ou poncer des métaux.

Les copeaux chauds ou les étincelles pourraient enflammer la poussière de sciure du matériau du sac.

⚠ PRÉCAUTION

- Vider le sac à copeaux fréquemment pour éviter que le conduit et le protection inférieure ne soient bouchés.

Les copeaux s'accumulent plus rapidement lors d'une coupe de biseau.

- Après avoir coupé du bois et avant de commencer à couper un châssis en aluminium, jeter les copeaux qui se trouvent dans le sac à copeaux.

(Fixer l'ensemble d'étau comme illustré à la Fig. 2, Fig. 3 and Fig. 23.)

AVANT L'UTILISATION

⚠ AVERTISSEMENT

Vérifier les étapes 1 à 10 avant d'installer le bloc d'alimentation sur l'outil.

1. S'assurer que la source d'alimentation convient pour l'outil.

⚠ AVERTISSEMENT

**Ne jamais raccorder l'outil électrique si l'alimentation secteur n'est pas de la tension spécifiée sur la plaque signalétique de l'outil.
 Ne jamais raccorder l'outil à une source de courant continu.**

- Vérifier que la gâchette est sur OFF.

⚠ AVERTISSEMENT

Si l'on raccorde le cordon d'alimentation alors que la gâchette est enclenchée, l'outil se mettra brusquement en marche, ce qui peut provoquer un grave accident.

- Vérifier s'il y a des défauts visibles sur la lame. S'assurer qu'il n'y a ni fissures ni dommages visibles sur la lame.
- Vérifier que la lame est solidement fixée sur l'outil électrique.
Au moyen de la clé hexagonale 8 mm fournie, serrer le boulon à tête hexagonale de 10 mm gauche sur la broche de la lame de scie pour fixer la lame de scie. Pour les détails, voir Fig. 48-a, Fig. 48-b, et Fig. 48-c dans la section "INSTALLATION ET RETRAIT DE LA LAME".
- Vérifier que la protection inférieure fonctionne correctement.

⚠ AVERTISSEMENT

NE JAMAIS FAIRE FONCTIONNER L'OUTIL ÉLECTRIQUE si la protection inférieure ne se déplace pas en souplesse.

La protection inférieure a pour but de protéger l'opérateur contre tout contact avec la lame de scie pendant le fonctionnement de l'outil.
Toujours vérifier que la protection inférieure se déplace en douceur et qu'elle recouvre la lame de scie.

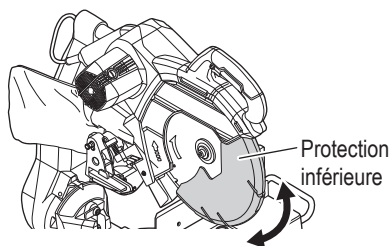


Fig. 8

- Vérifier la position du verrou d'axe avant d'utiliser l'outil.
Après avoir installé la lame de scie, vérifier que le verrou d'axe est revenu sur sa position libérée avant d'utiliser l'outil électrique (voir Fig. 3).

- Vérifier la prise d'alimentation.
Pour éviter toute surchauffe, arrêt accidentel ou fonctionnement intermittent, vérifier que la fiche du cordon d'alimentation rentre à fond dans la prise secteur et qu'elle ne ressort pas après l'insertion. Réparer ou remplacer la fiche si elle est défectueuse.
- Vérifier que le cordon d'alimentation de l'outil n'est pas endommagé.
Réparer ou remplacer le cordon si l'on constate un dommage.
- Lunette de protection

⚠ AVERTISSEMENT

Utiliser l'outil sans porter des lunettes de protection peut entraîner des blessures graves.

Toujours porter des lunettes de protection avec protections latérales qui répondent aux exigences de la norme ANSI Z87.1.
Les lunettes ordinaires n'assurent pas une protection suffisante parce que les verres ne sont pas faits en verre de sécurité résistants aux chocs.

- Frein électrique

⚠ AVERTISSEMENT

Faire attention à la réactivité de la tête de moteur (Fig. 2), lorsque le frein est activé. Le freinage provoque un mouvement brusque vers le bas de la tête de moteur et l'utilisateur doit s'attendre à cette réaction, surtout lorsque la gâchette est relâchée avant que la lame soit complètement rentrée. À défaut de se familiariser avec cela, et d'y être préparé, les caractéristiques de fonctionnement de l'outil peuvent provoquer des blessures graves.

APRÈS AVOIR BRANCHÉ LA FICHE D'ALIMENTATION DANS UNE SOURCE D'ALIMENTATION APPROPRIÉE, VÉRIFIER LE FONCTIONNEMENT DE L'OUTIL COMME SUIT :

Cet outil est équipé d'un frein électrique qui arrêtera généralement la lame 5 secondes après que la gâchette soit relâchée.

De temps en temps, il y aura un décalage entre le moment où le frein est engagé et l'arrêt complet de la lame qui se traduira éventuellement par un plus long temps d'arrêt. En de rares occasions, le frein pourrait ne pas s'engager du tout et la lame de la scie continuera alors à tourner encore et ce jusqu'à son arrêt.

Si le frein ne parvient pas à s'engager à maintes reprises, appuyer et relâcher la gâchette pour activer et désactiver l'outil 4 ou 5 fois. Si le frein ne s'engage toujours pas, faire réparer l'outil dans un centre de réparation agréé metabo HPT.

11. Marche d'essai
Après avoir vérifié qu'il n'y a personne derrière, mettre l'outil électrique en marche et vérifier qu'il n'y a pas d'anomalie de fonctionnement avant d'effectuer une coupe.
12. Vérifier la stabilité de rotation de la lame.
Pour assurer des coupes précises, faire tourner la lame et vérifier qu'il n'y a pas de flèche pour s'assurer que la lame ne présente pas d'instabilité évidente ; sinon, cela risque de provoquer des vibrations et un accident.

AVANT LA COUPE

1. Installation de la plaque d'insertion
Les plaques d'insertion s'installent sur la plaque tournante. Quand l'outil quitte nos usines, les plaques d'insertion sont fixées de façon que la lame n'entre pas en contact avec.
Les ébarbures sur le fond de la pièce seront considérablement réduites si la plaque d'insertion est fixée de façon que l'écart entre la surface latérale de la plaque d'insertion et la lame soit minimal. Avant d'utiliser l'outil, supprimer cet écart en procédant comme suit.
- (1) Coupe à angle droit
Desserrer les trois vis de 5 mm, puis mettre la plaque d'insertion de gauche et fixer provisoirement les vis de 5 mm aux deux extrémités. Puis, fixer une pièce d'environ 7-7/8" (200 mm) avec l'ensemble d'étau et la couper. Aligner la surface de coupe sur le bord de la plaque d'insertion, et visser solidement les vis de 5 mm aux deux extrémités. Retirer la pièce et visser solidement la vis centrale de 5 mm. Régler la plaque d'insertion de droite de la même manière. (Fig. 9-a)

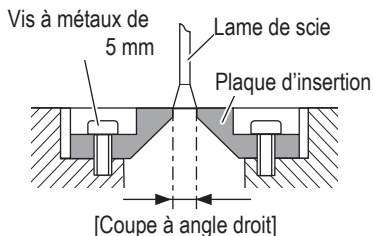


Fig. 9-a

- (2) Coupe de biseau à gauche et à droite
Régler la plaque d'insertion comme indiqué à la Fig. 9-b et Fig. 9-c en procédant comme pour la coupe à angle droit.

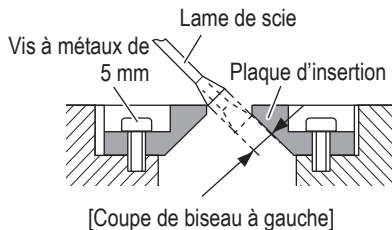


Fig. 9-b

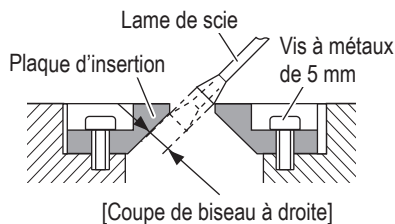


Fig. 9-c

⚠ PRÉCAUTION

Après avoir réglé la plaque d'insertion pour la coupe à angle droit, la plaque d'insertion sera légèrement coupée si on l'utilise pour des coupes de biseau.
Pour effectuer une coupe de biseau, régler la plaque d'insertion pour une coupe à angle de biseau.

2. Vérification de la position limite inférieure de la lame de scie
Vérifier que la lame de scie s'abaisse jusqu'à 10 à 11 mm en-dessous de la plaque d'insertion.
Lors du remplacement d'une lame de scie, régler la position limite inférieure de manière à ce que la lame de scie ne coupe pas la plaque tournante ou qu'une découpe complète ne soit pas possible.
En outre, lors du changement de position d'un boulon de réglage de profondeur de 8 mm faisant office de position limite inférieure de la butée de la lame de scie.
- (1) Tourner le boulon de réglage de profondeur de 8 mm, changer la hauteur de la tête du boulon et des contacts de la charnière, et régler la position limite inférieure de la lame de scie. (Fig. 10-a)

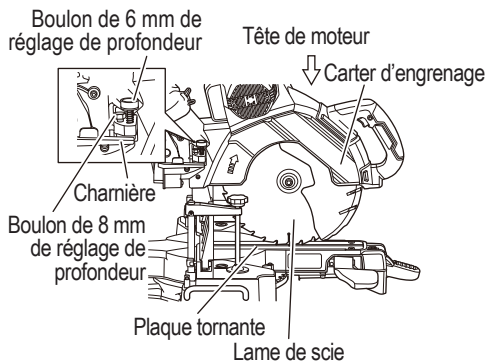


Fig. 10-a

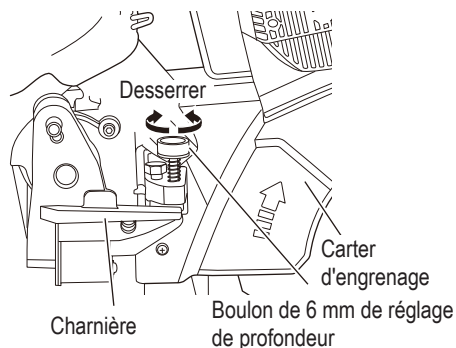


Fig. 10-b

- Position limite inférieure de la lame de scie pour la coupe d'une pièce importante
 Pour couper à angle droit une pièce dont la hauteur est comprise entre 4-7/32" (107 mm) et 4-11/16" (120 mm), pour faire une coupe en biseau à gauche d'une pièce dont la hauteur est comprise entre 2-3/4" (70 mm) et 2-15/16 (75 mm) ou une coupe en biseau à droite d'une pièce dont la hauteur est comprise entre 1-3/4" (45 mm) et 1-15/16 (50 mm), régler la position limite inférieure de manière que la base de la tête du moteur (voir la Fig. 10-a) ne vienne pas en contact avec la pièce.

REMARQUE

Confirmer que la lame de scie est réglée de façon à ne pas couper la plaque tournante.

Abaisser la tête du moteur et tourner le boulon de 6 mm de réglage de profondeur et régler de manière qu'il y ait un jeu de 5/64" à 1/8" (2 à 3 mm) entre la position limite inférieure de la tête du moteur et le dessus de la pièce pour la position limite inférieure de la lame de scie position où la tête du boulon de 6 mm de réglage de profondeur vient en contact avec le charnière. (Fig. 10-b)

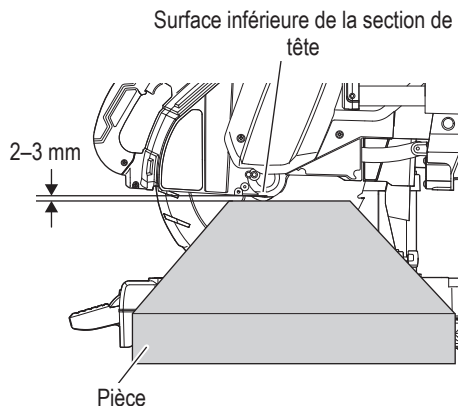


Fig. 10-c

- Vérification de l'utilisation de la garde secondaire (A)

⚠ AVERTISSEMENT

Lors d'une coupe d'angle en biseau droit, desserrer la vis papillon de 6 mm, puis faites glisser la garde secondaire (A) vers l'extérieur et retirez-la, comme le montre la Fig. 11. Le non-respect de cette consigne pourrait entraîner le corps principal ou la lame de la scie d'entrer en contact avec la garde secondaire (A) et causer des dommages.

Cet outil électrique est équipé d'une garde secondaire (A). Dans le cas d'une coupe droite ou d'une coupe en biseau à gauche, utiliser la garde secondaire (A). On pourra ensuite exécuter une coupe stable du matériau avec une large face arrière.

⚠ PRÉCAUTION

Dans le cas d'une coupe à angle direct et d'une coupe en biseau à gauche, faire glisser vers l'intérieur jusqu'à la position où la garde secondaire (A) touche et la fixer avec une vis papillon de 6 mm. (Comme illustré sur la Fig. 11)

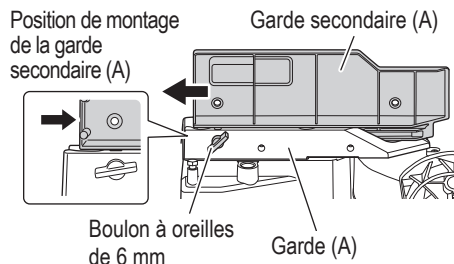


Fig. 11

5. Vérification de l'utilisation de la garde secondaire (B)

⚠ AVERTISSEMENT

Lors d'une coupe d'angle en biseau gauche, desserrer la vis papillon de 6 mm, puis faites glisser la garde secondaire (B) vers l'extérieur, comme le montre la Fig. 12. Le non-respect de cette consigne pourrait entraîner le corps principal ou la lame de la scie d'entrer en contact avec la garde secondaire (B) et causer des dommages.

Cet outil électrique est équipé d'une garde secondaire (B). Dans le cas d'une coupe à angle direct et d'une coupe en biseau à droite, utiliser la garde secondaire (B). On pourra ensuite exécuter une coupe stable du matériau avec une large face arrière.

⚠ PRÉCAUTION

Dans le cas d'une coupe à angle direct et d'une coupe en biseau à droite, faire glisser vers l'intérieur jusqu'à la position où la garde secondaire (B) touche et la fixer avec une vis papillon de 6 mm. (Comme illustré sur la Fig. 12)

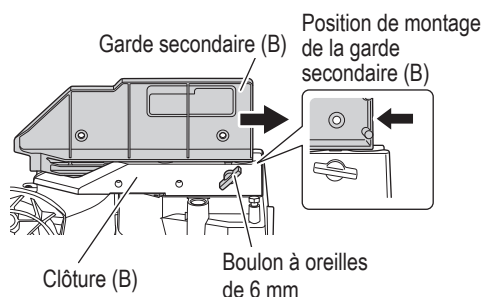


Fig. 12

6. Angle oblique

⚠ AVERTISSEMENT

Lors du changement d'angle oblique, maintenir la tête du moteur enfoncée. Si la tête du moteur se déplace subitement en angle oblique, cela peut entraîner des blessures ou des dommages au corps principal.

Quand l'outil électrique quitte nos usines, il est réglé pour un angle droit de 0°, un angle de coupe de biseau de 45° à gauche et un angle de coupe de biseau de 45° à droite avec les vis de réglage de 8 mm.

Pour modifier le réglage, changer la hauteur des vis de réglage de 8 mm en les tournant. (Fig. 13-a, Fig. 13-b)

Lors du changement de l'angle de biseau à 45° à gauche, desserrer la vis papillon de 6 mm illustrée sur la Fig. 12 puis faire glisser la garde secondaire (B) vers l'extérieur et incliner la tête du moteur vers la gauche.

Pour régler l'angle de biseau à 45°, déplacer le garde secondaire (A) vers l'extérieur et desserrer la poignée de verrouillage d'angle en biseau, puis tirer la goupille de réglage (A) vers l'avant et incliner la tête du moteur vers la droite. (Fig. 13-b)

Lorsque la tête du moteur est droite, la goupille de réglage (A) est maintenue fermement en place, de sorte que la tête du moteur s'incline légèrement vers la gauche quand on tire la goupille de réglage (A) vers l'extérieur avant d'incliner la tête du moteur vers la droite.

Lors du réglage de la tête du moteur sur 0°, replacer la goupille de réglage (A) dans sa position initiale, comme le montre la Fig. 13-b.

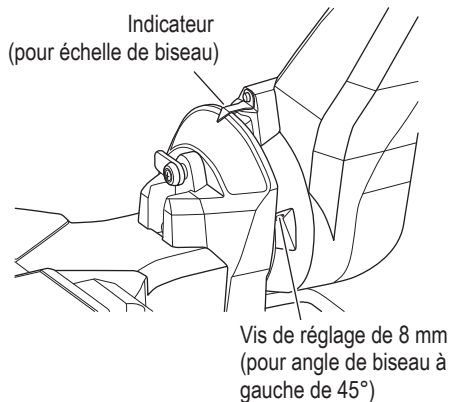


Fig. 13-a

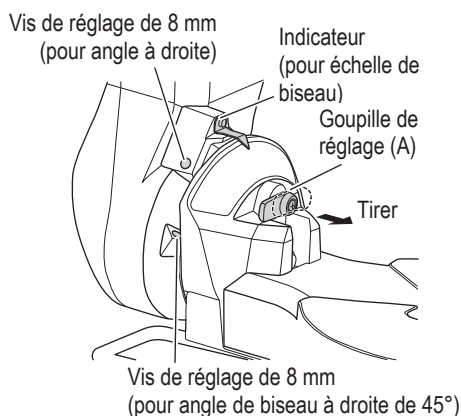


Fig. 13-b

7. Fixation de la pièce

⚠ AVERTISSEMENT

Toujours utiliser un dispositif de fixation ou l'étau pour fixer la pièce à la garde ; sinon, la pièce risque d'être éjectée de la table et de blesser quelqu'un.

8. Installation du support latéral

Le support latéral permet de maintenir les pièces plus longues stables et en place pendant l'opération de coupe.

Comme indiqué sur la Fig. 14, installer le support latéral dans les trous sur le côté du socle et le serrer avec la vis de 6 mm.

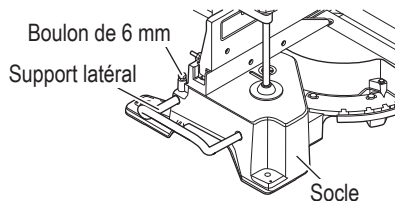


Fig. 14

⚠ PRÉCAUTION

Lors du transport ou du déplacement de l'outil, ne saisissez pas le support. Il y a un risque que le support glisse hors de la base.

Pour la manière correcte de tenir l'outil, veuillez vous référer à "TRANSPORT DU CORPS PRINCIPAL".

9. Installation des supports ... (Accessoire en option)
Les supports permettent de maintenir les pièces plus longues stables et en place pendant l'opération de coupe.
- (1) Comme indiqué sur la Fig. 15, utiliser une équerre en acier pour aligner le bord supérieur des supports avec la surface du socle.
Desserrer l'écrou à oreilles de 6 mm. Tourner un boulon de réglage de la hauteur de 6 mm et régler la hauteur du support.
- (2) Après le réglage, serrer fermement l'écrou à oreilles et fixer le support avec la vis papillon de 6 mm (accessoire en option). Si la longueur du boulon de réglage de la hauteur de 6 mm est insuffisante, placer une plaque mince en dessous. S'assurer que l'extrémité du boulon de réglage de la hauteur de 6 mm ne dépasse pas du support. (Fig. 15)

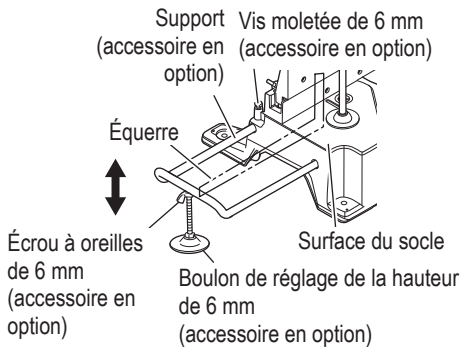


Fig. 15

10. Butée pour coupe de précision ... (La butée et le support sont des accessoires en option)
 La butée facilite une coupe de précision continue dans des longueurs comprises entre 11 po et 17-3/4 po (280 mm et 450 mm).
 Pour installer la butée, la fixer au support à l'aide de la vis papillon de 6 mm comme illustré sur la Fig. 16.

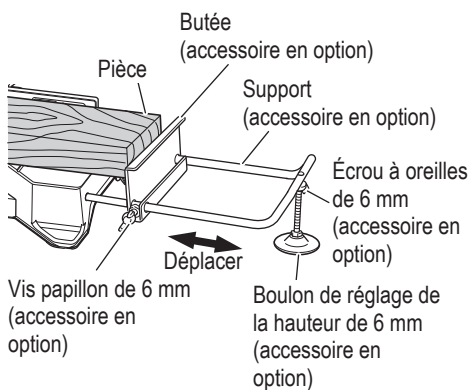


Fig. 16

11. Dispositif de chariot coulissant

⚠ AVERTISSEMENT

Pour éviter tout risque de blessure, toujours ramener le chariot coulissant complètement vers l'arrière après chaque coupe en travers.

Pour les opérations de tronçonnage sur de petites pièces à travailler, faire glisser complètement l'ensemble de la tête de coupe vers l'arrière de l'appareil et serrer le bouton de fixation du chariot. Pour découper des planches larges de jusqu'à

312 mm, le bouton de fixation du chariot doit être desserré pour permettre à la tête de coupe de glisser librement. (Fig. 17)

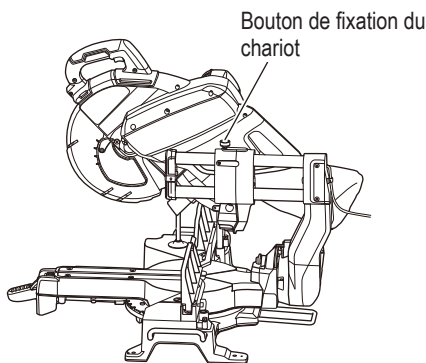


Fig. 17

12. Réglage de l'échelle d'onglet
- Abaisser la tête et insérer la goupille de verrouillage. Déverrouiller la poignée de verrouillage d'onglet et faire pivoter la plaque tournante jusqu'à ce que le cran positif la bloque sur la position d'onglet à 0°. Ne pas verrouiller la poignée de verrouillage d'onglet. Placer une équerre contre la garde et la lame de la scie, comme illustré sur la Fig. 18 (Ne pas toucher les pointes des dents de la lame avec l'équerre. Cela entraînerait une mesure inexacte.) Si la lame de scie n'est pas exactement perpendiculaire à la garde, desserrer les vis à métaux de 6 mm (x4) qui maintiennent l'échelle d'onglet et déplacer la poignée de verrouillage d'onglet et l'échelle vers la gauche ou la droite jusqu'à ce que la lame soit perpendiculaire à la garde, tel que mesuré par l'équerre. Resserrer les vis à métaux de 6 mm (x4). (Fig. 18) Ne pas faire attention à la lecture de l'indicateur (pour l'échelle d'onglet) à ce moment.

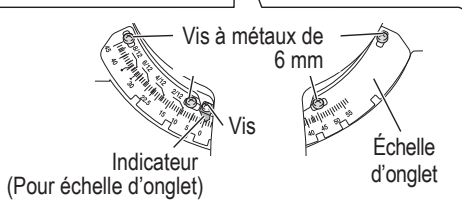
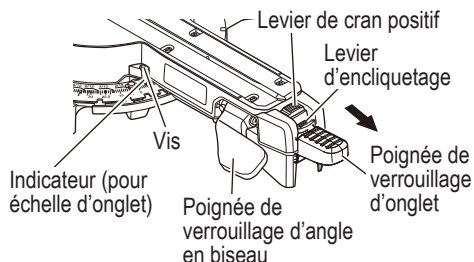
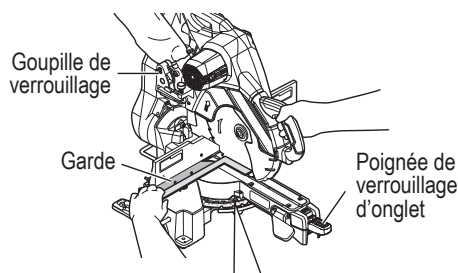


Fig. 18

Fig. 19

Réglage des angles d'onglet :

- Réglage de l'indicateur (Pour échelle d'onglet)
Déverrouiller la poignée de verrouillage d'onglet pour déplacer la plaque tournante sur la position 0°. Avec la poignée de verrouillage d'onglet déverrouillée, laisser le cran positif se loger en place tout en tournant la plaque tournante sur 0°. Observer l'indicateur (pour échelle d'onglet) et l'échelle d'onglet comme illustré sur la Fig. 18. Si l'indicateur (pour échelle d'onglet) n'indique pas exactement 0°, desserrer la vis de 4 mm maintenant l'indicateur (pour échelle d'onglet). Repositionner en place l'indicateur (pour échelle d'onglet) et serrer la vis de 4 mm.

- (1) Pousser vers le haut la poignée de verrouillage d'onglet pour déverrouiller la plaque tournante.
- (2) Pousser vers le bas le levier de cran positif jusqu'à ce que le levier d'encliquetage s'y accroche pour libérer le « cran positif ».
- (3) Faire pivoter la plaque tournante et régler l'indicateur pour qu'il s'aligne sur l'angle souhaité de l'échelle d'onglet. À ce moment, en utilisant la fonction de cran positif, tirer sur le levier d'encliquetage dans la direction de la flèche à proximité de l'angle souhaité comme illustré sur la Fig. 19, relâcher le levier d'encliquetage puis déplacer la plaque tournante pour la fixer à l'angle souhaité via la fonction de cran positif. (0°, 15°, 22,5°, 31,6° et 45°)
- (4) Pousser vers le bas la poignée de verrouillage d'onglet pour verrouiller la plaque tournante en position.

13. Réglage de l'angle d'onglet

L'échelle de la scie à coupe d'onglet radiale peut être facilement lue, indiquant les angles d'onglet de 0° à 45° vers la gauche et la droite. La table de la scie à onglet comporte neuf des réglages d'angle les plus courants avec des crans positifs à 0°, 15°, 22,5°, 31,6° et 45°. Ces crans positifs positionnent la lame à l'angle désirée rapidement et précisément. Suivre la procédure ci-dessous pour les réglages les plus rapides et les plus précis. (Fig. 19)

Levier d'encliquetage (Fig. 19)

Le levier d'encliquetage permet de régler avec une grande précision la table et de déverrouiller la fonction d'arrêt d'encliquetage à contact positif. Quand un angle d'onglet requis est proche d'un arrêt d'encliquetage à contact positif, ce levier d'encliquetage empêche la cale sur le levier de cran positif de glisser dans la fente du cran sur le socle.

14. Système d'éclairage DEL (Fig. 20) [XACT CUT LED™]

⚠ PRÉCAUTION

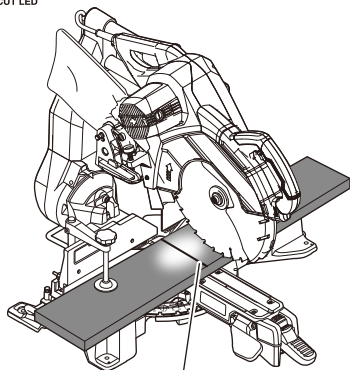
Ne regardez pas fixement la lampe allumée. Le fait de regarder dans le faisceau lumineux peut causer des blessures graves ou une perte de la vision.

Le système d'éclairage DEL [XACT CUT LED™] projette l'ombre de la lame sur la pièce. Cela permet d'obtenir une plus grande précision des coupes et ne nécessite aucun réglage.

La DEL d'éclairage s'allume simplement en insérant la fiche d'alimentation dans la prise.

Abaissier la tête de moteur de manière à ce que la lame se trouve à environ 1/4 po (6 mm) de la pièce. L'ombre de la lame est projetée sur la pièce, indiquant l'endroit où les dents de la lame entreraient en contact au fur et à mesure de la coupe.

Pour éteindre la DEL d'éclairage, retirer la fiche d'alimentation de la prise.



Ombre des dents de la lame projetée sur la pièce

Fig. 20

APPLICATIONS PRATIQUES

⚠ AVERTISSEMENT

- Pour éviter tout risque de blessure, ne jamais retirer ni installer la pièce sur la table pendant que l'outil fonctionne.
- Ne jamais amener les membres à l'intérieur de la ligne à côté du signe d'avertissement quand l'outil fonctionne. Cela pourrait être dangereux.

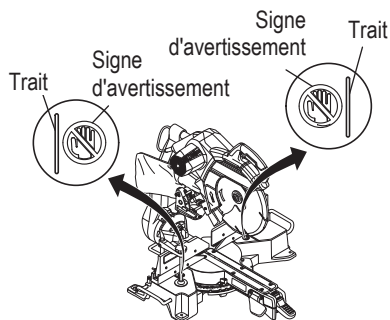


Fig. 21

1. Fonctionnement de la gâchette
L'outil ne démarre que si le bouton de déverrouillage est enfoncé pendant que la gâchette est tirée vers l'arrière.
Le bouton de déverrouillage peut être engagé en appuyant dessus depuis la gauche.
Une fois la gâchette activée, la lame de scie continue de fonctionner tant que vous appuyez sur l'interrupteur à gâchette, même si vous relâchez le bouton de déverrouillage. Lorsque la gâchette est relâchée, le bouton de déverrouillage se désengage automatiquement pour empêcher le démarrage involontaire du moteur.

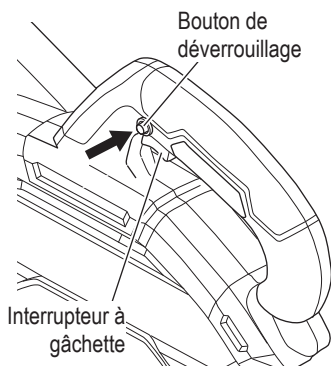


Fig. 22

⚠ AVERTISSEMENT

Ne jamais verrouiller le bouton de déverrouillage en position enfoncée.
Si la gâchette est tirée vers l'arrière, l'outil se mettra soudainement en marche, ce qui peut entraîner des blessures.

2. Fixation de la pièce
○ Utilisation de l'ensemble d'étau (Accessoire standard)

- (1) L'étau d'assemblage peut être monté sur la base.
- (2) Tourner le bouton supérieur et fixer solidement la pièce en place (Fig. 23).

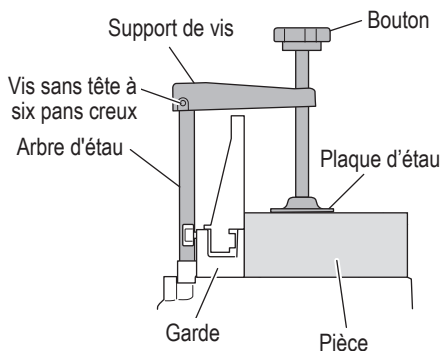


Fig. 23

⚠ AVERTISSEMENT

Utilisez des dispositifs de serrage pour soutenir la pièce lorsque cela est possible. Si vous soutenez la pièce avec la main, vous devez toujours maintenir votre main à au moins 100 mm de tout côté de la lame de scie. N'utilisez pas cette scie pour couper des pièces qui sont trop petites pour être serrées de façon sécuritaire ou tenues à la main.

En plaçant la main trop près de la lame de scie, il y a un risque accru de blessure suite au contact de la lame, et la pièce peut être projetée hors de la table et causer des blessures corporelles.

⚠ PRÉCAUTION

Toujours vérifier que la tête du moteur (Fig. 3) n'entre pas en contact avec l'ensemble d'étau quand on l'abaisse pour la coupe. Si ce risque existe, desserrer légèrement la vis sans tête à six pans creux et déplacer l'ensemble d'étau jusqu'à un point où il n'entrera pas en contact avec la lame.

- Utilisation du dispositif de fixation (en vente dans le commerce)

Pour les corniches complexes en hauteur et d'autres matériaux qui ne permettent pas l'utilisation de l'ensemble d'étau (accessoire standard), s'assurer que le matériau est fixé en position avec des dispositifs de fixation en vente dans le commerce. (Fig. 24)

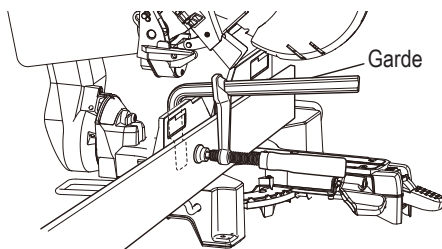


Fig. 24

3. Coupe
 - (1) Comme indiqué à la Fig. 25, la largeur de la lame est la largeur de coupe. En conséquence, glisser la pièce vers la droite (vue de la position de l'opérateur) pour obtenir la longueur (b), et sur la gauche pour obtenir la longueur (a).

Utiliser l'éclairage DEL, projeter l'ombre de la lame sur la pièce, aligner le côté gauche ou droit de l'ombre de la lame sur le trait d'encre sur la pièce.

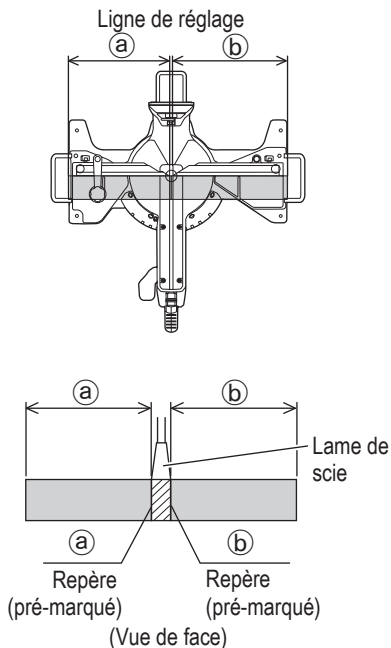


Fig. 25

- (2) Quand la lame a atteint sa vitesse maximale, abaisser doucement la poignée jusqu'à ce que la lame approche de la pièce.
- (3) Quand la lame touche la pièce, appuyer progressivement sur la poignée pour couper la pièce.

- (4) Quand la pièce est coupée à la longueur voulue, mettre l'outil électrique hors tension et attendre que la lame soit complètement arrêtée avant de relever la poignée en position complètement rentrée.

⚠ AVERTISSEMENT

- Vérifier que l'interrupteur à gâchette est coupé (OFF) et que la fiche d'alimentation est débranchée de la prise secteur quand on ne sert pas de l'outil.
- Toujours couper l'alimentation et attendre que la lame se soit complètement arrêtée avant de relever la poignée de la pièce. Si la poignée de la pièce est soulevée alors que la lame de scie tourne encore, le morceau coupé peut se bloquer contre la lame et des fragments peuvent être projetés dangereusement.
- Chaque fois qu'une opération de coupe normale ou profonde est terminée, mettre le gachette sur la position d'arrêt et s'assurer que la lame de scie est arrêtée. Cela fait, soulever la poignée et la replacer dans la position de retrait total.
- Ne pas oublier de retirer les morceaux coupés de dessus la plaque tournante avant de procéder à l'opération suivante.
- La coupe continue peut conduire à une surcharge du moteur. Toucher le moteur et s'il est chaud, arrêter votre coupe tout de suite et laisser reposer pendant 10 minutes ou plus, puis reprendre votre coupe.

⚠ PRÉCAUTION

Une pression accrue sur la poignée n'augmentera pas la vitesse de coupe. Au contraire, une pression excessive risque de surcharger le moteur et/ou de réduire le rendement.

4. Coupe de pièces minces (Coupe à pression simple)
Glisser la charnière sur le support (A), et serrer le bouton de fixation de glissière.
Abaisser la poignée pour couper la pièce. Cette façon d'utiliser l'outil électrique permet de couper des pièces d'une section allant jusqu'à 4-3/16" (107 mm).

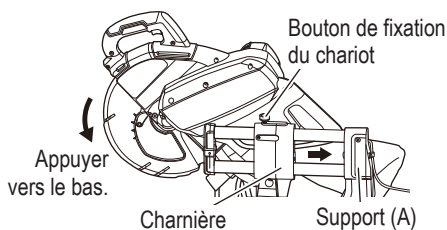


Fig. 26

5. Coupe de pièces volumineuses
Il peut arriver que la coupe ne puisse pas s'effectuer complètement en fonction de la hauteur de la pièce. Dans ce cas, monter une planche auxiliaire à l'aide des vis à tête plate de 6 mm et des écrous de 6 mm en utilisant les orifices de 7 mm de la surface de la garde (deux orifices de chaque côté). Voir page 46 « Tableau 2 : Dimension de coupe max. » pour l'épaisseur de la planche auxiliaire.

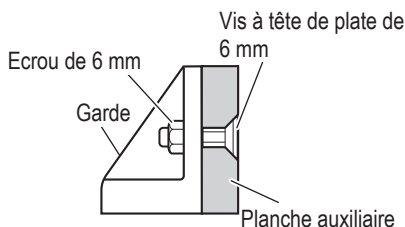


Fig. 27

6. Coupe de pièces larges (Coupe avec chariot)
(1) Pièces d'une hauteur allant jusqu'à 4-3/16" (107 mm) et d'une largeur allant jusqu'à 12-1/4" (312 mm):
Desserrer le bouton de fixation de glissière et incliner la lame vers l'avant (Voir Fig. 26).
Puis enfoncer la poignée et faire glisser la lame de scie en arrière pour couper la pièce comme indiqué à la Fig. 28. Cela facilitera la coupe des pièces d'une hauteur allant jusqu'à 4-3/16" (107 mm) et d'une largeur allant jusqu'à 12-1/4" (312 mm).

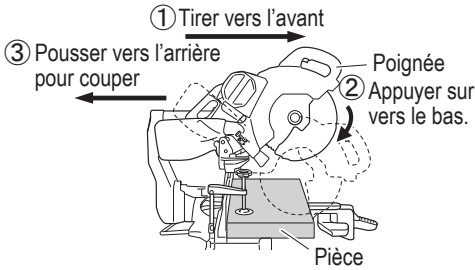


Fig. 28

- (2) Pièces d'une hauteur allant jusqu'à 4-11/16" (120 mm) et d'une largeur allant jusqu'à 10-3/16" (260 mm):
Les pièces d'une hauteur allant jusqu'à 4-11/16" (120 mm) et d'une largeur allant jusqu'à 10-3/16" (260 mm) se coupent de la même façon que décrit au paragraphe 6 - (1) ci-dessus.

⚠ AVERTISSEMENT

- Lors d'une coupe avec chariot, procéder comme indiqué à la Fig. 28. Une coupe avec chariot vers l'avant (vers l'opérateur) serait très dangereuse car la lame pourrait effectuer un retour vers le haut. En conséquence, toujours déplacer la poignée loin de l'opérateur.
- Toujours ramener le chariot complètement vers l'arrière après chaque coupe en travers de façon à réduire tout risque de blessure.
- Ne jamais mettre la main sur la poignée de verrouillage d'onglet pendant une coupe, car la lame de scie vient tout près de la poignée de verrouillage d'onglet lorsque la tête du moteur est abaissée.

⚠ PRÉCAUTION

- Lorsqu'on coupe une pièce de 4-3/4" (120 mm) de hauteur, régler la position de limite inférieure de la tête du moteur de façon que l'écart entre le bord inférieur de la tête du moteur et la pièce soit de 5/64" à 1/8" (2 à 3 mm) à la position de limite inférieure.
- Si l'on appuie trop fort ou de biais sur la poignée, la lame risque de vibrer pendant la coupe, ce qui laissera des marques de coupe peu esthétiques sur la pièce et réduira la qualité de coupe. On abaissera donc la poignée doucement et avec soin.

- Lors d'une coupe avec chariot, ramener délicatement la poignée (vers l'arrière) d'un mouvement régulier et ininterrompu. Le fait d'arrêter la poignée pendant la coupe laissera des marques de coupe peu esthétiques sur la pièce.

7. Procédures de coupe en biseau

⚠ AVERTISSEMENT

Lors du changement d'angle oblique, maintenir la tête du moteur enfoncée. Si la tête du moteur se déplace subitement en angle oblique, cela peut entraîner des blessures ou des dommages au corps principal.

- (1) Desserrer la poignée de verrouillage d'angle en biseau et placer en biseau la lame de scie sur la gauche ou la droite.
Pour régler l'angle de biseau vers la droite, desserrer la poignée de verrouillage d'angle en biseau, puis tirer la goupille de réglage (A) vers l'avant et incliner la tête du moteur vers la droite.
Lorsque la tête du moteur est droite, la goupille de réglage (A) est maintenue fermement en place, de sorte que la tête du moteur s'incline légèrement vers la gauche quand on tire la goupille de réglage (A) vers l'extérieur avant d'incliner la tête du moteur vers la droite.
- (2) Régler l'angle de biseau sur le réglage souhaité tout en observant l'échelle et l'indicateur d'angle en biseau, puis fixer la poignée de verrouillage d'angle en biseau.

⚠ PRÉCAUTION

Toujours s'assurer que la poignée de verrouillage d'angle en biseau est sécurisée et que la tête de moteur est serrée. Si l'on effectue une coupe à angle sans bloquer la tête du moteur, elle risque de bouger de façon imprévue et de provoquer des blessures.

- (3) Effectuer les opérations des paragraphes 4, 5 et 6 ci-dessus. Pour les dimensions de coupe en biseau maximales, voir la page 46 « Tableau 2 : Dimension de coupe max. »

REMARQUE

La poignée de verrouillage d'angle en biseau est dotée d'un système d'embrayage. Lors du contact avec la poignée de verrouillage d'angle en biseau et le corps principal, tirer la poignée de verrouillage d'angle en biseau dans la direction de la flèche comme illustré sur la Fig. 29, puis changer la direction de la poignée de verrouillage d'angle en biseau.

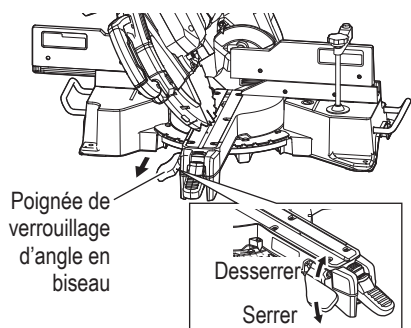


Fig. 29

⚠ AVERTISSEMENT

- Lors de la fixation de la pièce en place sur le côté gauche de la lame et de l'exécution d'une coupe en biseau à gauche ou lors de la fixation de la pièce en place sur le côté droit de la lame et de l'exécution d'une coupe en biseau à droite, le matériau à couper sera sur le côté supérieur de la lame de scie. Toujours couper l'alimentation et attendre que la lame se soit complètement arrêtée avant de relever la poignée de la pièce.

Si la poignée de la pièce est soulevée alors que la lame de scie tourne encore, le morceau coupé peut se bloquer contre la lame et des fragments peuvent être projetés dangereusement.

- Si l'on interrompt la coupe de biseau à mi-chemin, recommencer la coupe après avoir ramené la tête du moteur à sa position d'origine. Si l'on commence à mi-chemin sans avoir ramené la tête, le protection inférieure se coincera dans l'encoche de coupe de la pièce et il touchera la lame.
- Lors d'une coupe d'angle vers la droite, desserrer la vis papillon de 6 mm, puis faites glisser la garde secondaire (A) vers l'extérieur et retirez-la.
- Lors d'une coupe d'angle vers la gauche, desserrer la vis papillon de 6 mm, puis faites glisser la garde secondaire (B) vers l'extérieur.

⚠ PRÉCAUTION

Lorsqu'on coupe une pièce de 2-15/16" (75 mm) de hauteur à la position d'angle de biseau de 45° vers la gauche, ou une pièce de 1-15/16" (50 mm) de hauteur à la position d'angle de biseau de 45° vers la droite, régler la position de limite inférieure de la tête du moteur de façon que l'écart entre le bord inférieur de la tête du moteur et la pièce soit à 5/64" à 1/8" (2 à 3 mm) de la position de limite inférieure (voir « 3. Position limite inférieure de la lame de scie pour la coupe d'une pièce importante » à la page 51).

8. Procédure de coupe d'onglet

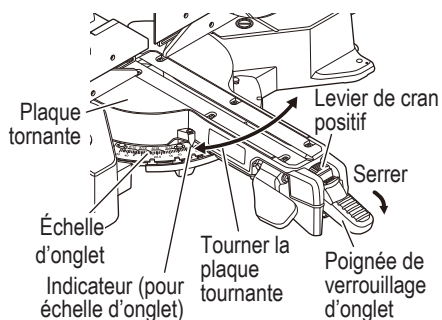


Fig. 30

- (1) Déverrouiller la table de scie à onglet en soulevant la poignée de verrouillage d'onglet.
- (2) Tout en appuyant légèrement sur le levier de cran positif jusqu'à ce qu'il accroche le levier d'encliquetage, saisir la poignée de verrouillage d'onglet et tourner la table à gauche ou à droite à l'angle souhaité.
- (3) Une fois l'angle d'onglet souhaité obtenu, enfoncer la poignée de verrouillage d'onglet pour sécuriser la table sur la position.
- (4) Si l'angle d'onglet souhaité est un des neuf crans positifs listés ci-dessous, voir la section Levier d'encliquetage d'onglet à la page 55.
- (5) Utiliser la DEL d'éclairage et positionner la pièce sur la table pour le préalignement de votre coupe.
- (6) L'échelle d'onglet (Fig. 31) indique à la fois l'angle de coupe de l'échelle d'angle et le degré de l'échelle de degré.

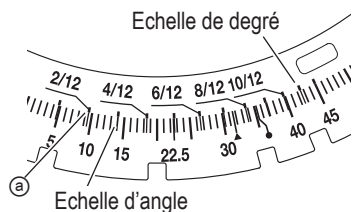


Fig. 31

- (7) Le degré, qui est le rapport de la hauteur sur le socle de la section triangulaire à retirer, pourra être utilisé pour régler l'échelle d'onglet à la place de l'angle de coupe, au besoin (voir Fig. 32).

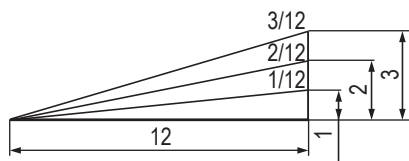


Fig. 32

- (8) En conséquence, pour couper une pièce à un angle de 2/12, régler l'indicateur sur la position (a), comme indiqué à la Fig. 31.

REMARQUE

- Des crans positifs sont prévus à droite et à gauche du réglage central de 0°, à 15°, 22,5°, 31,6° et 45°. Vérifier que l'échelle d'onglet et l'extrémité de l'indicateur sont alignés correctement.
- L'utilisation de la scie avec l'échelle d'onglet et l'indicateur non alignés causera une précision de coupe médiocre.

⚠ PRÉCAUTION

Toujours confirmer que la poignée de verrouillage d'onglet est sécurisée et que la plaque tournante est serrée. Si l'on effectue une coupe à angle sans bloquer la table tournante, elle risque de bouger de façon imprévue et de provoquer des blessures.

9. Procédures de coupe mixte
La coupe mixte s'effectue en suivant les instructions de 7 et 8 ci-dessus. Pour les dimensions maximales de la coupe mixte, voir page 46, « Tableau 2 : Dimension de coupe max. »

⚠ PRÉCAUTION

Toujours fixer la pièce de la main droite ou gauche et la couper en glissant la section ronde de la scie vers l'arrière avec l'autre main. Il serait très dangereux de faire tourner la plaque tournante vers la droite ou vers la gauche pendant une coupe mixte, car la lame de scie risquerait d'entrer en contact avec la main qui tient la pièce.
Dans le cas d'une coupe mixte (angle + biseau) à biseau gauche, complètement déployer la garde secondaire (B) avant de procéder à l'opération de coupe.
Dans le cas d'une coupe mixte (angle + biseau) à biseau droit, faire glisser la garde secondaire (A) vers l'extérieur et la retirer.

10. Procédures de coupe en corniche complexe
La Fig. 33 montre deux types de corniche complexe courants ayant des angles de (θ) 38° et de 45°.

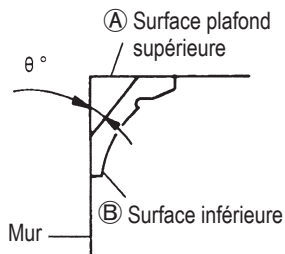


Fig. 33

Pour les montures de corniche complexe, voir la Fig. 34.

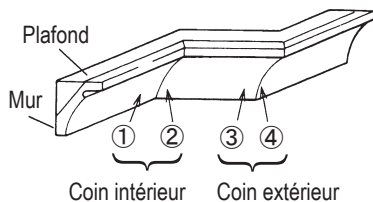


Fig. 34

Le tableau ci-dessous montre les réglages d'angle d'onglet et d'angle de biseau qui conviennent le mieux pour les deux types de corniche complexe.

REMARQUE

A des fins de commodité, des crans positifs sont prévus à la fois pour les positions de réglage d'onglet (31,6° à gauche et à droite).

Réglage d'une coupe d'onglet

Si la plaque tournante est réglée sur l'un des angles décrits, déplacer la poignée de verrouillage d'onglet de réglage de la plaque tournante légèrement vers la droite ou vers la gauche pour stabiliser la position et aligner correctement l'échelle d'angles d'onglet et l'extrémité de l'indicateur avant de commencer le travail.

Réglage d'une coupe de biseau

Tourner la poignée de verrouillage d'angle en biseau de la section en biseau vers la droite et s'assurer que la position est stable et que l'échelle d'angle de biseau et l'extrémité de l'indicateur sont soigneusement alignées. Puis serrer la poignée de verrouillage d'angle en biseau.

Tableau 3

Type de corniche complexe	Type 45°	Type 38°
Pour découper une corniche complexe aux positions ① et ④ de la Fig. 34.		
Réglage d'angle d'onglet	Droit 35,3° (repère ↓)	Droit 31,6° (repère ↓)
Réglage d'angle de biseau	Gauche 30° (repère ↓)	Gauche 33,9° (repère ↓)
Pour découper une corniche complexe aux positions ② et ③ de la Fig. 34		
Réglage d'angle d'onglet	Gauche 35,3° (repère ↓)	Gauche 31,6° (repère ↓)
Réglage d'angle de biseau	Gauche 30° (repère ↓)	Gauche 33,9° (repère ↓)

- (1) Réglage de coupe en corniche complexe aux positions ① et ④ de la Fig. 34 (voir Fig. 35; incliner la tête vers la gauche):
 - Tourner la plaque tournante vers la droite et régler l'angle d'onglet comme suit:
 - Pour des corniches complexes de type 45°: 35,3° (repère ↓)

- Pour des corniches complexes de type 38°: 31,6° (repère ↓)
- Incliner la tête vers la gauche et régler l'angle de biseau comme suit:
 - Pour des corniches complexes de type 45°: 30° (repère ↓)
 - Pour des corniches complexes de type 38°: 33,9° (repère ↓)
- Disposer la corniche complexe de façon que la surface supérieure (A) sur la Fig. 33) touche la garde comme indiqué à la Fig. 37.
- (2) Réglage de coupe en corniche complexe aux positions ② et ③ de la Fig. 34 (voir Fig. 36; incliner la tête vers la gauche):
 - Tourner la plaque tournante vers la gauche et régler l'angle d'onglet comme suit:
 - Pour des corniches complexes de type 45°: 35,3° (repère ↓)
 - Pour des corniches complexes de type 38°: 31,6° (repère ↓)
 - Incliner la tête vers la gauche et régler l'angle de biseau comme suit:
 - Pour des corniches complexes de type 45°: 30° (repère ↓)
 - Pour des corniches complexes de type 38°: 33,9° (repère ↓)
 - Disposer la corniche complexe de façon que la surface inférieure (B) sur la Fig. 33) touche la garde comme indiqué à la Fig. 38.

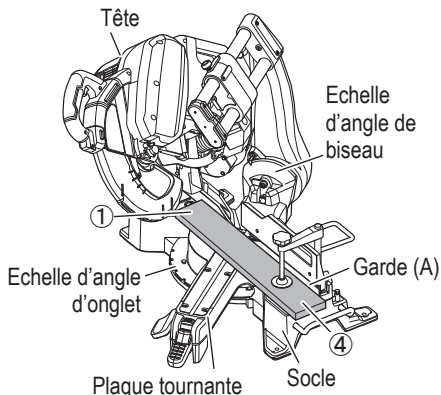


Fig. 35

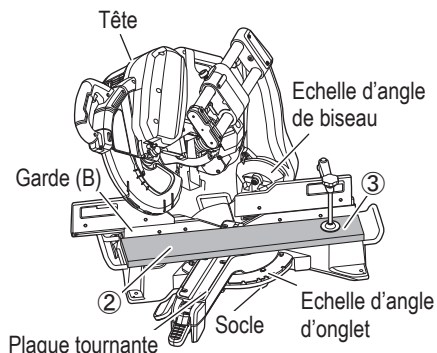


Fig. 36

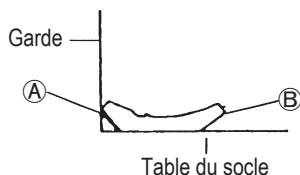


Fig. 37

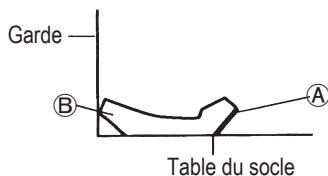


Fig. 38

(3) Réglage de coupe en corniche complexe aux positions ① et ④ de la Fig. 34 (voir Fig. 39; incliner la tête vers la droite):

- Tourner la plaque tournante vers la droite et régler l'angle d'onglet comme suit:
 - Pour des corniches complexes de type 45°: 35,3° (repère ↓)
 - Pour des corniches complexes de type 38°: 31,6° (repère ↓)

- Incliner la tête vers la droite et régler l'angle de biseau comme suit:
 - Pour des corniches complexes de type 45°: 30° (repère ↓)
 - Pour des corniches complexes de type 38°: 33,9° (repère ↓)

- Disposer la corniche complexe de façon que la surface supérieure (B) sur la Fig. 33) touche la garde comme indiqué à la Fig. 41.

(4) Réglage de coupe en corniche complexe aux positions ② et ③ de la Fig. 34 (voir Fig. 40; incliner la tête vers la droite):

- Tourner la plaque tournante vers la gauche et régler l'angle d'onglet
 - Pour des corniches complexes de type 45°: 35,3° (repère ↓)
 - Pour des corniches complexes de type 38°: 31,6° (repère ↓)
- Incliner la tête vers la droite et régler l'angle de biseau comme suit:
 - Pour des corniches complexes de type 45°: 30° (repère ↓)
 - Pour des corniches complexes de type 38°: 33,9° (repère ↓)

- Disposer la corniche complexe de façon que la surface inférieure (A) sur la Fig. 33) touche la garde comme indiqué à la Fig. 42.

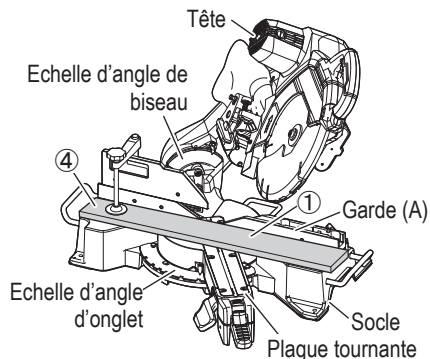


Fig. 39

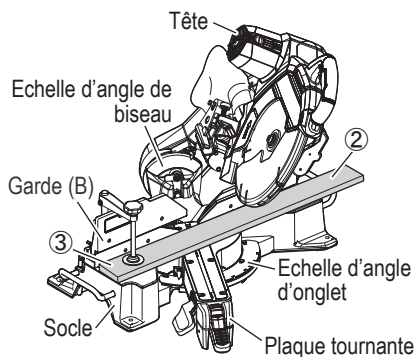


Fig. 40



Table du socle
Fig. 41

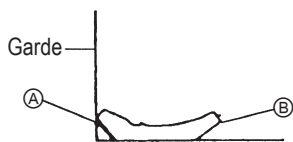


Table du socle
Fig. 42

Méthode de coupe des moulures de corniche sans inclinaison de la lame de scie

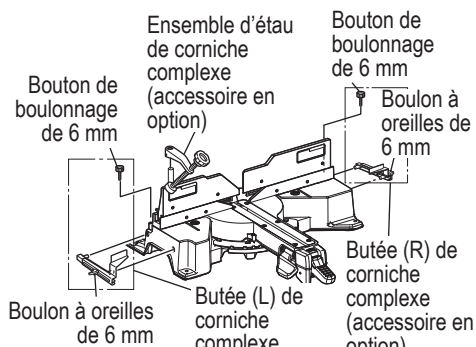


Fig. 43-a

- (1) Les butées (L) et (R) de corniche complexe (accessoire en option) permettent des coupes plus faciles de corniches complexes sans inclinaison de la lame de scie. Les installer dans le socle des deux côtés comme illustré sur la Fig 43-a. Après insertion, serrer les vis moletées de 6 mm pour maintenir en place les butées de corniche complexe.

[Accessoires en option utilisés]

- Ensemble d'étau de corniche complexe
- Butée (L) de corniche complexe
- Butée de corniche complexe (R)

- (2) L'ensemble d'étau de corniche complexe (accessoire en option) peut être monté sur le socle. Il peut s'adapter à l'inclinaison de la corniche complexe et peut être appuyé vers le bas.

Ensuite, tourner le bouton supérieur, si nécessaire, pour fixer solidement la corniche complexe en place. Pour lever ou abaisser l'ensemble d'étau, desserrer tout d'abord la vis sans tête à six pans creux.

Après avoir réglé la hauteur, tourner le bouton supérieur, si nécessaire, pour bien fixer la moulure de couronnement en position. (Voir Fig. 43-b)

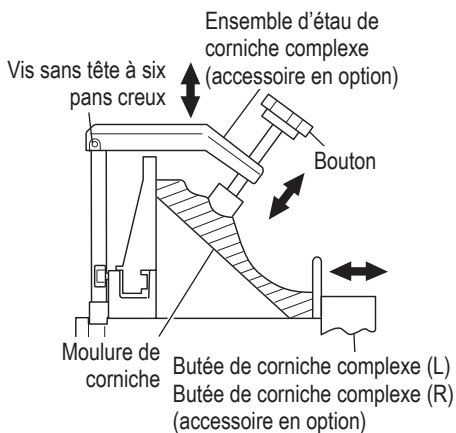


Fig. 43-b

⚠ AVERTISSEMENT

Maintenir ou serrer dans un étau la moulure de corniche contre la garde; dans le cas contraire, la moulure de corniche peut être projetée hors de la table et provoquer une blessure corporelle. Ne pas faire de coupe en biseau. L'outil ou la lame de scie peuvent venir en contact avec la garde secondaire, ce qui peut provoquer une blessure.

⚠ PRÉCAUTION

Toujours s'assurer que la tête du moteur (se reporter à la Fig. 3) ne vient pas en contact avec l'ensemble d'étau de corniche complexe quand il est abaissé pour la coupe. S'il y a un risque quelconque qu'il en soit ainsi, desserrer le bouton de boulonnage de 6mm et déplacer l'ensemble d'étau de corniche complexe de telle manière qu'il ne puisse pas y avoir de contact avec la lame de scie.

Positionner la corniche complexe de manière que le BORD DE CONTACT DE MUR soit contre la garde de guidage et que le BORD DE CONTACT DE PLAFOND soit contre les butées de corniche complexe, comme le montre la Fig. 43-b.

Régler les butées de corniche complexe en fonction de la taille de la corniche complexe.

Serrer le boulon à oreilles de 6 mm pour maintenir les butées de corniche complexe.

Se reporter au tableau qui suit pour les angles des coupes d'onglet.

	Position dans la Fig. 34	Angle de coupe d'onglet	Pièce finie
Pour le coin intérieur	①	Droit 45°	Conserver le côté droit de la lame
	②	Gauche 45°	Conserver le côté gauche de la lame
Pour corniche externe	③		Conserver le côté droit de la lame
	④	Droit 45°	Conserver le côté gauche de la lame

11. Procédures de coupe d'encoche

Découper les encoches avec la lame.

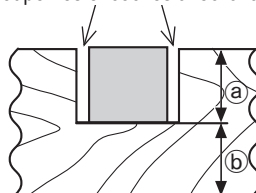


Fig. 44

Boulon de 6 mm de réglage de profondeur

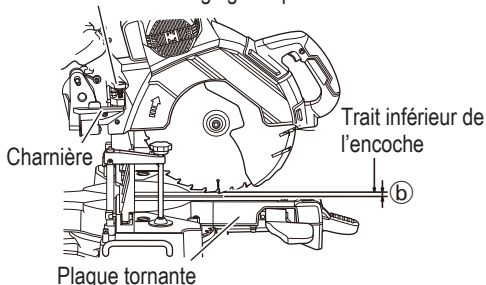


Fig. 45

Les encoches dans les pièces se découpent comme indiqué à la Fig. 44 en réglant le boulon de réglage de la profondeur de 6 mm.

Procédure de réglage de la profondeur de coupe:

- (1) Abaisser la tête du moteur et tourner le boulon de réglage de la profondeur de 6 mm à la main comme illustré sur la Fig. 45. (où la tête du boulon de réglage de la profondeur de 6 mm touche la charnière).
- (2) Régler la profondeur de coupe voulue en réglant la distance entre la lame et la surface du plaque tournante (voir **Ⓓ** à la Fig. 44).

REMARQUE

Quand on découpe une seule encoche à l'une des extrémités de la pièce, retirer la section inutile avec un ciseau

12. Coupe de matériaux qui se déforment facilement, par exemple une feuille d'aluminium

Les matériaux comme l'aluminium en feuille se déforment facilement quand ils sont serrés trop fort dans un étau. Cela ne permettra pas une bonne coupe et risque de provoquer une surcharge du moteur. Lors de la coupe de tels matériaux, utiliser une planche de bois pour protéger la pièce comme illustré sur la Fig. 46-a. Placer la planche de bois près de la section de coupe.

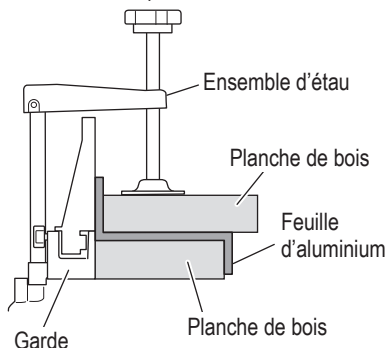


Fig. 46-a

Pour couper de l'aluminium, enduire la lame d'une huile de coupe (non-combustible) pour obtenir une coupe régulière et un bon fini. En outre, dans le cas d'une pièce en U, utiliser un morceau de bois comme le montre la Fig. 46-b pour réaliser la stabilité dans le sens latéral, le fixer près de la coupe de la pièce et le serrer en utilisant l'étau et un serre-joint disponible sur le marché.

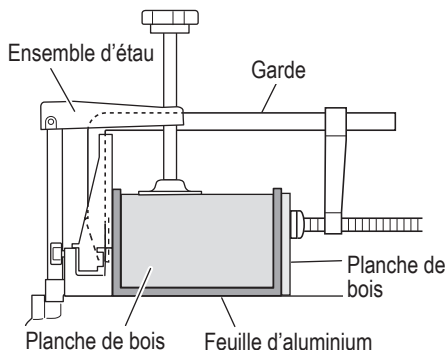


Fig. 46-b

13. Raccordement de l'extracteur de poussière (vendu séparément) (Fig. 47)

Ne pas inhaler les poussières nocives générées lors de la coupe.

La poussière peut mettre en danger votre santé et celle des personnes à proximité.

Utiliser un extracteur de poussière peut réduire les risques dus aux poussières.

En raccordant un extracteur de poussière par le biais d'un adaptateur, d'un joint et d'un adaptateur de collecte de poussière, la plupart des poussières peuvent être récupérées.

Raccorder l'extracteur de poussière avec l'adaptateur.

- (1) Procéder au raccordement dans l'ordre : tuyau (id 38 mm x 3 m de long) et adaptateur*2, joint (C)*1 et adaptateur de collecte de poussière*1 avec le conduit de l'outil électrique.

Le raccordement se fait en appuyant dans la direction de la flèche. (Fig. 47)

L'adaptateur pour collecteur à poussière*1 se fixe au conduit avec un collier de serrage*1.

*1 Accessoire en option

*2 Accessoire standard de l'extracteur de poussière

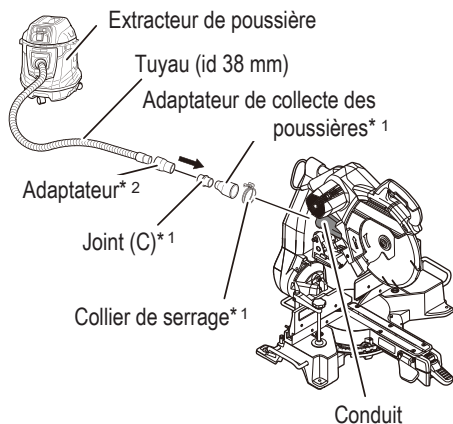


Fig. 47

ACCESSOIRES EN OPTION.....vendus séparément

- Joint (C) (N° de code 337526)
- Adaptateur pour dispositif de dé poussiérage (avec collier de serrage) (N° de code 376291)

INSTALLATION ET RETRAIT DE LA LAME

⚠ AVERTISSEMENT

- Pour éviter tout risque d'accident ou de blessure, toujours couper l'interrupteur à gâchette et débrancher la fiche de la prise secteur avant de retirer ou d'installer la lame. Si le travail de coupe est effectué alors que le boulon de 10 mm n'est pas suffisamment serré, le boulon de 10 mm risque de se défaire, la lame de se détacher et le protection inférieure de s'abîmer, ce qui provoquera des blessures. Par ailleurs, s'assurer que les boulons de 10 mm sont convenablement serrés avant de brancher la fiche du cordon d'alimentation sur une prise secteur.
- Si les boulons de 10 mm sont fixés ou retirés à l'aide d'outils autres que la clé hexagonale de 8 mm (accessoire standard), un serrage excessif ou incorrect se produit, causant des blessures.

1. Montage de la lame de scie
- (1) Enfoncer le verrou d'axe et desserrer le boulon de 10 mm avec une clé hexagonale de 8 mm (accessoire standard).

Le boulon de 10 mm ayant un filetage à gauche, le tourner vers la droite pour le desserrer, comme illustré sur la Fig. 48-a, la Fig. 48-b.

REMARQUE

Si le verrou d'axe ne peut pas être facilement enfoncé pour verrouiller la broche, tourner le boulon de 10 mm avec la clé hexagonale de 8 mm (accessoire standard) tout en exerçant une pression sur le verrou d'axe.

L'axe de la lame est verrouillé quand le verrou d'axe est enfoncé.

- (2) Retirer le boulon et la rondelle (B).

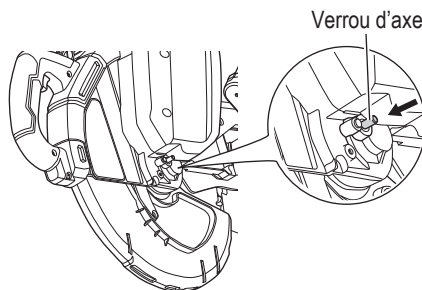


Fig. 48-a

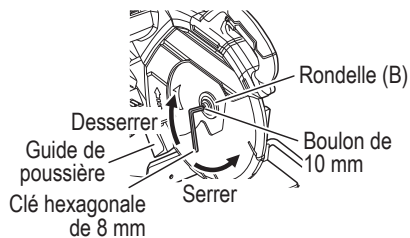


Fig. 48-b

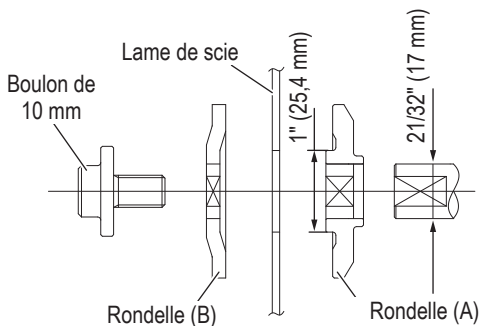


Fig. 48-c

- (3) Soulever le protection inférieure et installer la lame.

⚠ AVERTISSEMENT

Lors du montage de la lame de scie, s'assurer que la marque de sens de rotation sur la lame de scie et le sens de rotation sur le carter d'engrenage (voir la Fig. 2) sont les mêmes.

- (4) Nettoyer soigneusement la rondelle (B) et le boulon de 10 mm et les installer sur l'axe de la lame de scie.

REMARQUE

Lors du remplacement de la lame de scie, veiller à éliminer soigneusement tous les copeaux qui adhèrent à la rondelle (A) avant d'installer la nouvelle lame de scie. Veiller à installer les rondelles (A) et (B) dans la bonne direction.

(Fig. 48-c)

- (5) Appuyer sur le verrou d'axe et serrer le boulon de 10 mm en le tournant vers la gauche à l'aide de la clé hexagonale de 8 mm (accessoire standard), comme illustré sur la Fig. 48-b.

⚠ AVERTISSEMENT

Serrer le boulon 10 mm de façon qu'il ne se desserre pas pendant le fonctionnement. Vérifier que le boulon 10 mm est solidement vissé avant de mettre l'outil électrique en marche.

⚠ PRÉCAUTION

- Un guide poussière est installé à l'intérieur, derrière le carter d'engrenage. Lors du retrait ou de l'installation de la lame, ne pas toucher le guide-copeaux. Cela pourrait casser ou ébrécher les extrémités de la lame. (Fig. 48-b)
- Vérifier que le verrou d'axe est revenu en position rentrée après le retrait ou l'installation de la lame.

2. Retrait de la lame

Démonter la lame en procédant dans l'ordre inverse de l'installation décrite au paragraphe 1 ci-dessus. La lame s'enlève facilement si la protection inférieure est relevé.

⚠ PRÉCAUTION

Ne jamais tenter d'installer des lames de scie de plus de 12" (305 mm) de diamètre. Installez toujours des lames de scie comprises entre 11-9/16" (293 mm) et 12" (305 mm).

REMARQUE

Ranger la clé hexagonale de 8 mm après emploi afin de ne pas l'égarer.

TRANSPORT DU CORPS PRINCIPAL

⚠ AVERTISSEMENT

Pour éviter tout risque d'accident ou de blessure, toujours vérifier que l'interrupteur à gâchette est coupé et que la fiche d'alimentation est débranchée de la prise secteur avant de transporter le corps principal.

L'étau risque de tomber pendant le transport. Retirez l'ensemble ou glissez une pièce de bois dans l'étau pour le fixer fermement. (Fig. 50)

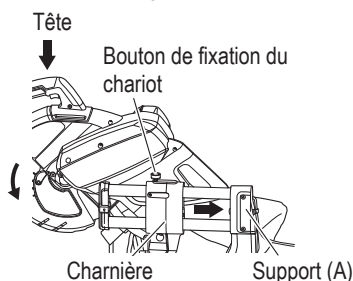


Fig. 49

Abaisser la tête et insérer la goupille de verrouillage (voir page 48 « 6. Libérer la goupille de verrouillage »). Vissez également le bouton de fixation du chariot de sorte que la charnière soit positionnée de manière à heurter le support (A) et à fixer la tête. (Fig. 49)

Soulever la poignée de verrouillage d'onglet, tourner la plaque tournante vers la droite jusqu'au bout et fixer la plaque tournante en enfonçant la poignée de verrouillage d'onglet sur la position fixe. Le corps principal sera ainsi encore plus compact. (Fig. 50)

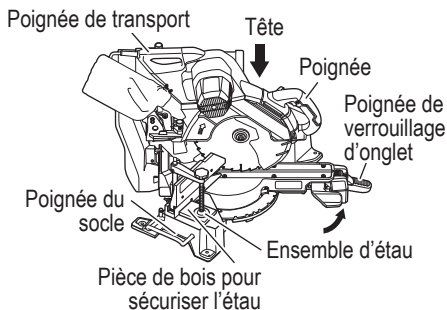


Fig. 50

Lorsque vous transportez le corps principal, portez-le dans vos bras en tenant à deux mains la poignée située sur le socle.

Si le transport est effectué par deux personnes, chaque personne doit utiliser ses deux mains pour tenir la poignée de transport, la poignée et la poignée du socle.

ENTRETIEN ET INSPECTION

⚠ AVERTISSEMENT

Pour éviter tout risque d'accident ou de blessure, toujours vérifier que l'interrupteur à gâchette est coupé et que la fiche d'alimentation est débranchée de la prise secteur avant d'entretenir ou d'inspecter l'outil.
Si l'on constate une défaillance de l'outil, y compris des protections et de la lame de scie, communiquer avec un personnel qualifié sans tarder.

1. Inspection de la lame de scie
Toujours remplacer la lame dès qu'elle présente des signes d'usure ou de dommage.
Une lame endommagée risque de provoquer des blessures, et une lame usée peut réduire le rendement et provoquer une surcharge du moteur.

⚠ PRÉCAUTION

Ne jamais utiliser de lame émoussée. Si la lame est émoussée, sa résistance à la pression de la main appliquée par la poignée de l'outil a tendance à augmenter, ce qui rend le fonctionnement de l'outil électrique peu sûr.

2. Inspecter les balais carbone (Fig. 51 et Fig. 52)
Les balais carbone du moteur sont des pièces consommables.
Si les balais en carbone sont usés, le moteur risque d'avoir des anomalies.
En conséquence, inspecter périodiquement les balais en carbone et les remplacer lorsqu'ils ont atteint la limite d'usure comme indiqué à la Fig. 51.
Par ailleurs, maintenir les balais carbone propres de façon qu'ils glissent régulièrement dans les porte-balai.
Les balais carbone sont faciles à retirer ; pour cela, retirer les têtes porte-balai (voir Fig. 52) avec un tournevis à tête plate (signe moins).

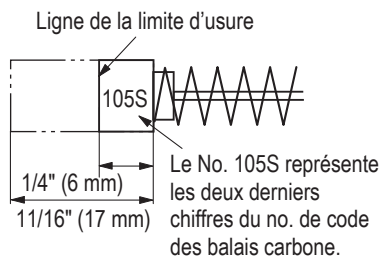


Fig. 51

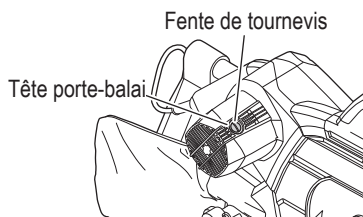


Fig. 52

REMARQUE

Lors du remplacement des balais carbone, utiliser uniquement des balais carbone metabo HPT dont le n° «38» représente les deux derniers chiffres du n° de code (voir Fig. 51). Si vous utilisez d'autres balais carbone, le frein électrique ne fonctionnera pas.

3. A propos de l'entretien du moteur (se reporter à la Fig. 2)
L'enroulement du moteur est le cœur de cet outil. Veiller tout particulièrement à ne pas endommager l'enroulement en l'exposant à l'huile ou à l'eau.

REMARQUE

L'accumulation de poussières dans le moteur peut entraîner une anomalie de fonctionnement.
Après avoir fait tourner le moteur pendant 50 heures environ, le laisser tourner à vide et souffler de l'air sec dans le perçage à l'arrière du moteur. Cette action a pour effet de débarrasser le moteur des poussières et saletés.

4. Inspection des vis
Inspecter régulièrement chaque composant de l'outil électrique pour voir s'il n'est pas lâche.
Resserrer les vis des pièces lâches.

⚠ AVERTISSEMENT

Pour éviter tout risque de blessure, ne jamais faire fonctionner l'outil électrique si certains de ses composants sont lâches.

5. Inspection du bon fonctionnement de la protection inférieure
Avant chaque utilisation, faire un essai de la protection inférieure (voir Fig. 8) pour s'assurer qu'elle est en bon état et qu'elle se déplace en douceur.

Ne jamais utiliser l'outil si la protection inférieure ne fonctionne pas correctement et qu'elle n'est pas en bon état mécanique.

REMARQUE

Si la protection inférieure ne se déplace pas de façon fluide, la faire réparer par le détaillant auprès duquel on a acheté l'outil.

6. Remisage

Quand le travail est terminé, vérifier que l'on a bien effectué toutes les opérations suivantes:

- (1) Interrupteur à gâchette en position OFF,
- (2) Fiche d'alimentation débranchée de la prise secteur,

Si l'on ne prévoit pas de se servir de l'outil, le ranger dans un lieu sec et hors de portée des enfants.

7. Graissage

Graisser les surfaces de glissement suivantes une fois par mois pour maintenir l'outil électrique en bon état de marche pendant longtemps (voir Fig. 2 et Fig. 3). Il est recommandé d'utiliser une huile de machine.

Points de graissage:

- Section rotative de la charnière
- Section rotative de l'ensemble d'étau
- Section rotative du support (A)

8. Nettoyage

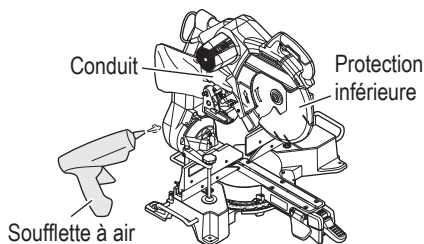


Fig. 53

Nettoyez la machine, le conduit et la protection inférieure en soufflant de l'air sec à partir d'un pistolet pneumatique ou d'un autre outil.

Retirer périodiquement les copeaux et autres déchets de la surface de l'outil électrique, en particulier par l'intérieur de la protection inférieure, avec un chiffon humecté de savon. Pour éviter un dysfonctionnement du moteur, protégez-le du contact avec de l'huile ou de l'eau.

Si la DEL d'éclairage devient invisible en raison de copeaux collés sur la fenêtre de la section émettant la

lumière de la DEL, essuyer et nettoyer la fenêtre avec un chiffon sec ou un chiffon doux humidifié avec de l'eau savonneuse, etc.

⚠ PRÉCAUTION

Lors de l'utilisation et de l'entretien d'un outil électrique, respecter les règlements et les normes de sécurité en vigueur dans le pays en question.

MODIFICATIONS:

Les outils électriques metabo HPT sont constamment améliorés et modifiés afin d'incorporer les tout derniers progrès technologiques.

En conséquence, il est possible que certaines pièces soient modifiées sans avis préalable.

SERVICE APRÈS-VENTE ET RÉPARATIONS

Tous les outils motorisés de qualité auront éventuellement besoin d'une réparation ou du remplacement d'une pièce à cause de l'usure normale de l'outil. Pour assurer que seules des pièces de rechange autorisées seront utilisées, tous les entretiens et les réparations doivent être effectués uniquement par UN CENTRE DE SERVICE metabo HPT AUTORISE.

REMARQUE

Les spécifications sont sujettes à modification sans obligations de la part de metabo HPT.

ACCESSOIRES

⚠ AVERTISSEMENT

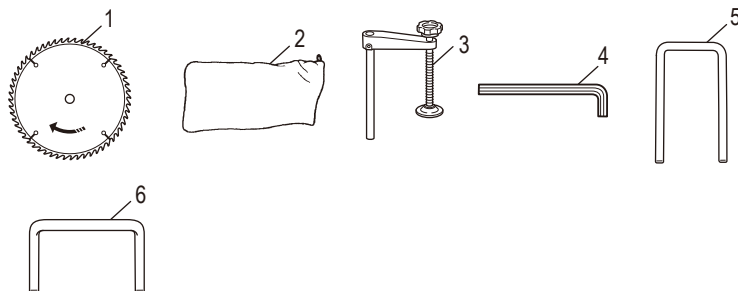
TOUJOURS utiliser uniquement des pièces de rechange et des accessoires metabo HPT. **NE JAMAIS** utiliser de pièce de rechange ou d'accessoires qui ne sont pas prévus pour être utilisés avec cet outil. En cas de doute, contacter metabo HPT pour savoir si une pièce de rechange ou un accessoire particulier peuvent être utilisés en toute sécurité avec votre outil.

L'utilisation de tout autre attachement ou accessoire peut être dangereux et peut causer des blessures ou des dommages mécaniques.

REMARQUE

Les accessoires sont sujets à changement sans obligation de la part de metabo HPT.

ACCESSOIRES STANDARD



1.	Lame de scie 12" (305 mm) TCT (pour bois) (N° de dent 32 N° de code 323522).....	1
2.	Sac à copeaux (N° de code 322955M).....	1
3.	Ensemble d'étau (N° de code 339624).....	1
4.	Clé hexagonale de 8 mm (N° de code 955857)	1
5.	Support (N° de code 376730).....	1
6.	Support latéral (N° de code 380332)	2

ACCESSOIRES EN OPTION...vendus séparément

- Support d'extension et butée (pour les deux côtés) (N° de code 324369)
- Support d'extension (pour un seul côté) (N° de code 324464)
- Ensemble d'étau pour corniche complexe (N° de code 339660)
- Butée (L) de corniche complexe (N° de code 339730)
- Butée (R) de corniche complexe (N° de code 339731)

REMARQUE

Les spécifications sont sujettes à modification sans aucune obligation de la part de metabo HPT.

INSTRUCCIONES IMPORTANTES SOBRE SEGURIDAD

Antes de utilizar o de realizar cualquier trabajo de mantenimiento de esta herramienta eléctrica, lea y comprenda todas las precauciones de seguridad, advertencias e instrucciones de funcionamiento de este Manual de instrucciones.

La mayoría de los accidentes producidos en la operación y el mantenimiento de una herramienta eléctrica se deben a la falta de observación de las normas o precauciones de seguridad. Los accidentes normalmente podrán evitarse reconociendo una situación potencialmente peligrosa a tiempo y siguiendo los procedimientos de seguridad apropiados.

Las precauciones básicas de seguridad se describen en la sección "SEGURIDAD" de este Manual de instrucciones y en las secciones que contienen las instrucciones de operación y mantenimiento.

Para evitar lesiones o el daño de la herramienta eléctrica, los riesgos están identificados con ADVERTENCIAS en dicha herramienta y en este Manual de instrucciones.

No utilice **NUNCA** esta herramienta eléctrica de ninguna forma que no esté específicamente recomendada por metabo HPT.





SIGNIFICADO DE LAS PALABRAS DE SEÑALIZACIÓN

ADVERTENCIA indica situaciones potencialmente peligrosas que, si se ignoran, pueden resultar en la muerte o en lesiones de gravedad.

PRECAUCIÓN indica situaciones potencialmente peligrosas que, de no evitarse, pueden resultar en lesiones menores o moderadas, o causar daños en la herramienta eléctrica.

NOTA acentúa información esencial.

SIGNIFICADO DE SÍMBOLOS

Símbolos			
A continuación se muestran los símbolos usados para la máquina. Asegúrese de comprender su significado antes del uso.			
	ADVERTENCIA Para disminuir el riesgo de lesiones, el usuario debe leer el manual de instrucciones.		ADVERTENCIA Utilice siempre una protección ocular.
	PRECAUCIÓN No mire fijamente a la lámpara cuando esté encendida.		ADVERTENCIA Utilice siempre una protección ocular.

SEGURIDAD

ADVERTENCIAS DE SEGURIDAD GENERAL DE LA HERRAMIENTA ELÉCTRICA

⚠ ADVERTENCIA

Lea todas las advertencias de seguridad, instrucciones, ilustraciones y especificaciones proporcionadas con esta herramienta eléctrica.

Si no sigue las instrucciones que se indican a continuación, podrían producirse descargas eléctricas, incendios o lesiones graves.

Guarde todas las advertencias e instrucciones para futura referencia.

El término "herramienta eléctrica" en las advertencias hace referencia a la herramienta eléctrica que funciona con la red de suministro (con cable) o a la herramienta eléctrica que funciona con pilas (sin cable).

1) Seguridad en el área de trabajo

a) **Mantenga la zona de trabajo limpia y bien iluminada.**

Las zonas desordenadas o oscuras pueden provocar accidentes.

b) **No utilice las herramientas eléctricas en entornos explosivos como, por ejemplo, en presencia de líquidos inflamables, gases o polvo.**

Las herramientas eléctricas crean chispas que pueden hacer que el polvo desprenda humo.

c) **Mantenga a los niños y transeúntes alejados cuando utilice una herramienta eléctrica.**

Las distracciones pueden hacer que pierda el control.

2) Seguridad eléctrica

a) **Los enchufes de las herramientas eléctricas tienen que ser adecuados a la toma de corriente.**

No modifique el enchufe.

No utilice enchufes adaptadores con herramientas eléctricas conectadas a tierra.

Si no se modifican los enchufes y se utilizan tomas de corriente adecuadas se reducirá el riesgo de descarga eléctrica.

b) **Evite el contacto corporal con superficies conectadas a tierra, como tuberías, radiadores y frigoríficos.**

Hay mayor riesgo de descarga eléctrica si su cuerpo está en contacto con el suelo.

c) **No exponga las herramientas eléctricas a la lluvia o a la humedad.**

La entrada de agua en una herramienta eléctrica aumentará el riesgo de descarga eléctrica.

d) **No utilice el cable incorrectamente. No utilice el cable para transportar, tirar de la herramienta eléctrica o desenchufarla. Mantenga el cable alejado del calor, del aceite, de bordes afilados o piezas móviles.**

Los cables dañados o enredados aumentan el riesgo de descarga eléctrica.

e) **Cuando utilice una herramienta eléctrica al aire libre, utilice un cable prolongador adecuado para utilizarse al aire libre.**

La utilización de un cable adecuado para usarse al aire libre reduce el riesgo de descarga eléctrica.

f) **Si no se puede evitar el uso de una herramienta eléctrica en un lugar húmedo, utilice un suministro protegido mediante un dispositivo de corriente residual (RCD).**

El uso de un RCD reduce el riesgo de descarga eléctrica.

3) Seguridad personal

a) **Esté atento, preste atención a lo que hace y utilice el sentido común cuando utilice una herramienta eléctrica.**

No utilice una herramienta eléctrica cuando esté cansado o esté bajo la influencia de drogas, alcohol o medicación.

La distracción momentánea cuando utiliza herramientas eléctricas puede dar lugar a importantes daños personales.

b) **Utilice un equipo de protección. Utilice siempre una protección ocular.**

El equipo de protección como una máscara para el polvo, zapatos de seguridad antideslizantes, casco o protección para oídos utilizado para condiciones adecuadas reducirá los daños personales.

c) **Evite un inicio involuntario. Asegúrese de que el interruptor está en "off" antes de conectar la herramienta a una fuente de alimentación y/o batería, cogerla o transportarla.**

El transporte de herramientas eléctricas con el dedo en el interruptor o el encendido de herramientas eléctricas con el interruptor encendido puede provocar accidentes.

d) **Retire las llaves de ajuste antes de encender la herramienta eléctrica.**

Si se deja una llave en una pieza giratoria de la herramienta eléctrica podrían producirse daños personales.

- e) **No se extralimite. Mantenga un equilibrio adecuado en todo momento.**
Esto permite un mayor control de la herramienta eléctrica en situaciones inesperadas.
- f) **Vístase adecuadamente. No lleve prendas sueltas o joyas. Mantenga su pelo y la ropa alejados de las piezas móviles.**
La ropa suelta, las joyas y el pelo largo pueden pillarse en las piezas móviles.
- g) **Si se proporcionan dispositivos para la conexión de extracción de polvo e instalaciones de recogida, asegúrese de que están conectados y se utilizan adecuadamente.**
La utilización de un sistema de recogida de polvo puede reducir los riesgos relacionados con el polvo.
- h) **No permita que operar frecuentemente con herramientas le haga ser complaciente e ignorar los principios de seguridad de la herramienta.**
Una acción descuidada puede provocar lesiones severas en una fracción de segundo.
- 4) **Utilización y mantenimiento de las herramientas eléctricas**
- a) **No fuerce la herramienta eléctrica. Utilice la herramienta eléctrica correcta para su aplicación.**
La herramienta eléctrica correcta trabajará mejor y de forma más segura si se utiliza a la velocidad para la que fue diseñada.
- b) **No utilice la herramienta eléctrica si el interruptor no la enciende y apaga.**
Las herramientas eléctricas que no pueden controlarse con el interruptor son peligrosas y deben repararse.
- c) **Desconecte el conector de la fuente de alimentación o desconecte el paquete de baterías, si puede ser desmontado, de la herramienta eléctrica antes de realizar ajustes, cambiar accesorios o almacenar las herramientas eléctricas.**
Estas medidas de seguridad preventivas reducen el riesgo de que la herramienta eléctrica se ponga en marcha accidentalmente.
- d) **Guarde las herramientas eléctricas que no se utilicen para que no las cojan los niños y no permita que utilicen las herramientas eléctricas personas no familiarizadas con las mismas o con estas instrucciones.**
Las herramientas eléctricas son peligrosas si son utilizadas por usuarios sin formación.
- e) **Mantenga adecuadamente las herramientas eléctricas y los accesorios. Verifique el fallo de alineación o de unión de las partes móviles, la rotura de las partes y otras condiciones que puedan afectar a la operación de la herramienta eléctrica.**
Si sufre daños, solicite una reparación de la herramienta eléctrica antes de ser utilizada.
Se producen muchos accidentes por no realizar un mantenimiento correcto de las herramientas eléctricas.
- f) **Mantenga las herramientas de corte afiladas y limpias.**
Las herramientas de corte correctamente mantenidas con los bordes de corte afilados son más fáciles de controlar.
- g) **Utilice la herramienta eléctrica, los accesorios y las brocas de la herramienta, etc. de acuerdo con estas instrucciones, teniendo en cuenta las condiciones laborales y el trabajo que se va a realizar.**
La utilización de la herramienta eléctrica para operaciones diferentes a pretendidas podría dar lugar a una situación peligrosa.
- h) **Mantenga los asideros y las superficies de agarre secas, limpias y libres de aceite y grasa.**
Los asideros y las superficies de agarre resbaladizas no permiten un manejo y un control seguros de la herramienta en situaciones inesperadas.
- 5) **Revisión**
- a) **Lleve su herramienta a que la revise un experto cualificado que utilice sólo piezas de repuesto idénticas.**
Esto garantizará el mantenimiento de la seguridad de la herramienta eléctrica.

PRECAUCIÓN

Mantenga a los niños y a las personas enfermas alejados.

Cuando no se utilicen, las herramientas deberán almacenarse fuera del alcance de los niños y las personas enfermas.

INSTRUCCIONES DE SEGURIDAD PARA LA SIERRA PARA CORTAR INGLETES

- Las sierras para cortar ingletes están diseñadas para cortar madera o productos parecidos a la madera. No pueden usarse con discos de corte abrasivos para cortar material ferroso, como, por ejemplo, barras, varillas, topes, etc.**

El polvo abrasivo provoca el atascamiento de las piezas móviles, como, por ejemplo, la protección inferior. Las chispas procedentes del corte abrasivo quemarán la protección inferior, la protección de la vía u otras piezas de plástico.
- Utilice abrazaderas para sostener la pieza de trabajo siempre que sea posible. Si sostiene la pieza de trabajo con la mano, siempre debe mantener la mano al menos 100 mm del otro lado de la cuchilla de la sierra. No utilice esta sierra si las piezas que desea cortar son demasiado pequeñas para sujetarse de forma segura con las abrazaderas o con la mano.**

Si coloca la mano demasiado cerca de la cuchilla de la sierra, puede sufrir lesiones, ya que el riesgo de entrar en contacto con la cuchilla es mayor.
- La pieza de trabajo debe estar fija y sujeta con las abrazaderas o con el tope limitador y la mesa. No introduzca la pieza de trabajo en la cuchilla ni la corte “a mano” de ninguna manera.**

Las piezas de trabajo móviles o sin sujeciones podrían salir despedidas a gran velocidad, lo que puede provocar lesiones.
- Empuje la sierra a través de la pieza de trabajo. No tire de la sierra cuando está cortando la pieza de trabajo. Para realizar un corte, levante el cabezal de la sierra y extráigalo de la pieza de trabajo sin realizar ningún corte. A continuación, inicie el motor, presione el cabezal de la sierra y empuje la sierra a través de la pieza de trabajo.**

Si realiza un corte por tracción, es probable que la cuchilla de la sierra se monte en la parte superior de la pieza de trabajo y arroje con fuerza el conjunto de cuchilla hacia el operario.
- Nunca meta la mano en la línea de corte prevista de la parte delantera o posterior de la cuchilla de la sierra.**

Es muy peligroso sujetar la pieza de trabajo “con la mano metida”, es decir, mientras se sostiene la pieza de trabajo en el lado derecho de la cuchilla de la sierra con la mano izquierda o viceversa.
- No coloque la mano detrás del tope limitador a menos de 100 mm de cada lado de la cuchilla de la sierra para quitar restos de madera, o con cualquier otro fin, mientras la cuchilla está en funcionamiento.**

Es posible que no pueda percibir con exactitud lo cerca que está la cuchilla de la mano y podría sufrir graves lesiones.
- Inspeccione la pieza de trabajo antes de realizar el corte. Si la pieza de trabajo está curvada o deformada, sujétela con el lado curvado exterior hacia el tope limitador. Asegúrese en todo momento de que no haya ningún hueco entre la pieza de trabajo, el tope limitador y la mesa a lo largo de la línea de corte.**

Las piezas de trabajo curvadas o deformadas pueden girarse o cambiar de posición y pueden provocar un atascamiento en la cuchilla de la sierra mientras está en funcionamiento. Asegúrese de que no haya clavos ni otros objetos extraños en la pieza de trabajo.
- No use la sierra hasta que en la mesa no haya herramientas, restos de madera, etc.; solo puede estar la pieza de trabajo.**

Los pequeños restos, piezas sueltas de madera u otros objetos que entren en contacto con la cuchilla mientras esta está girando pueden salir despedidos con gran velocidad.
- Solo corte una pieza de trabajo cada vez.**

No se pueden sujetar ni asegurar varias piezas de trabajo apiladas, ya que podrían provocar el atascamiento de la cuchilla o un cambio de posición de las piezas de trabajo durante el corte.
- Asegúrese de que la sierra para cortar ingletes está montada o colocada en una superficie de trabajo nivelada y estable antes de utilizarla.**

Al colocarla en una superficie de trabajo nivelada y estable se reduce el riesgo de que la sierra sea inestable.
- Planifique su trabajo. Cada vez que cambie el ajuste del ángulo de biselado o del inglete, compruebe que el tope limitador ajustable está establecido correctamente para sostener la pieza de trabajo y que no obstaculizará a la cuchilla o al sistema de protección.**

Sin que la herramienta esté activada y sin ninguna pieza de trabajo sobre la mesa, mueva la cuchilla de la sierra a través de un corte simulado completo para asegurarse de que no habrá ningún tipo de obstáculo ni peligro de cortar el tope limitador.

12. **Utilice una sujeción adecuada, como, por ejemplo, extensiones de mesa, caballetes de aserrar, etc. para una pieza de trabajo que es más ancha o larga que la superficie de la mesa.**
Las piezas de trabajo más largas o anchas que la mesa de la sierra para cortar ingletes pueden volcarse si no se sujetan de forma segura. Si la pieza de trabajo o la pieza de corte se vuelcan, pueden levantar la protección inferior o pueden salir disparadas al entrar en contacto con la cuchilla en funcionamiento.
13. **No solicite la ayuda de otra persona para sustituir el uso de una extensión de mesa ni como sujeción adicional.**
Una sujeción inestable de la pieza de trabajo puede provocar el atascamiento de la cuchilla o el cambio de posición de la pieza de trabajo durante la operación de corte, lo que puede acercarlos a usted y a su ayudante hacia la cuchilla en funcionamiento.
14. **La pieza de corte no debe estar atascada ni presionada contra la cuchilla de la sierra en funcionamiento.**
Si se bloquea, es decir, si se hace uso de topes, la pieza de corte podría quedarse atascada en la cuchilla y salir disparada con fuerza.
15. **Utilice en todo momento una abrazadera o una fijación diseñadas para sujetar correctamente material con forma redonda como varillas o tubos.**
Las varillas tienen la tendencia de enrollarse cuando se cortan, lo que provoca que la cuchilla “muerda” la pieza de trabajo y se tenga que tirar de ella con la mano hacia la cuchilla.
16. **Deje que la cuchilla alcance la velocidad máxima antes de que entre en contacto con la pieza de trabajo.**
Esto reducirá el riesgo de que la pieza de trabajo salga despedida.
17. **Si la pieza de trabajo o la cuchilla se quedan atascadas, desconecte la sierra para cortar ingletes. Espere a que todas las piezas móviles se detengan y desconecte el enchufe de la fuente de alimentación y extraiga la batería. A continuación, trate de liberar el material atascado.**
Si sigue cortando una pieza de trabajo atascada, podría producirse una pérdida de control o daños en la sierra.
18. **Después de finalizar el corte, deje de pulsar el interruptor, sujete la sierra con el cabezal hacia abajo y espere a que la cuchilla deje de funcionar antes de retirar la pieza de corte.**
No coloque la mano cerca de la cuchilla de corte en funcionamiento, ya que es peligroso.
19. **Sujete firmemente el mango cuando realice un corte incompleto o cuando deje de pulsar el interruptor antes de que el cabezal de la sierra se encuentre completamente hacia abajo.**
La acción de frenado de la sierra puede provocar que el cabezal de la misma se mueva hacia abajo repentinamente, lo que puede provocar lesiones.

NORMAS DE SEGURIDAD ESPECÍFICAS PARA LA UTILIZACIÓN DE ESTA HERRAMIENTA

⚠ ADVERTENCIA

Las instrucciones de operación específicas siguientes deberán observarse cuando se utilice esta HERRAMIENTA ELÉCTRICA a fin de evitar lesiones:

LO QUE DEBERÁ HACERSE

TENGA SIEMPRE EN CUENTA LAS NORMAS SIGUIENTES PARA PODER UTILIZAR CON SEGURIDAD ESTA HERRAMIENTA:

1. Antes de intentar utilizar esta HERRAMIENTA ELÉCTRICA, lee este manual y familiarícese con las normas de seguridad y las instrucciones de operación.
2. Quite todo el material de embalaje adherido o vinculado con la herramienta antes de usarla.
3. Antes de utilizar la HERRAMIENTA ELÉCTRICA, confirme que esté limpia.
4. Para utilizar la HERRAMIENTA ELÉCTRICA, vistase ropa ajustada, calzado no deslizante (preferiblemente con punteras reforzadas con acero) y gafas protectoras.
5. Maneje la HERRAMIENTA ELÉCTRICA con cuidado. Si la HERRAMIENTA ELÉCTRICA se cae o se golpea contra un objeto duro, puede deformar o rajarse, o sufrir otros daños.
6. Si nota cualquier anomalía, deje de utilizar inmediatamente la sierra.
7. Antes de utilizar la herramienta, compruebe si todos los componentes están montados adecuadamente y con seguridad.
8. Cuando reemplace la hoja de sierra, confirme que las rpm de la nueva sean correctas para utilizarse con esta unidad.
9. Antes de realizar cualquier trabajo de mantenimiento o ajuste, desconecte la alimentación y espere hasta que la hoja de sierra se haya parado completamente.
10. Durante la operación de corte, empuje siempre la hoja de sierra alejándola de usted.
11. Sujete o asegure la pieza de trabajo en la escuadra de guía, ya que de lo contrario podría salirse de la mesa y causar lesiones serias.

12. Durante el corte de ingletes o en bisel, espere siempre hasta que la hoja de sierra se haya parado completamente antes de levantarla.
13. Realice siempre una prueba antes de intentar utilizar una hoja de sierra nueva.
14. Maneje siempre la hoja de sierra con cuidado con la desmonte o monte.
15. Antes de utilizar la sierra, compruebe siempre si la pieza de trabajo está exenta de puntas y demás objetos extraños.
16. Mantenga siempre las manos alejadas del trayecto de la hoja de sierra.
17. Antes de utilizar la sierra, confirme que el revestimiento de protección inferior esté en el lugar apropiado.
18. Antes de intentar cortar, confirme siempre que el revestimiento de protección inferior no obstruya el movimiento de deslizamiento de la sierra.
19. Inspeccione periódicamente el cable de alimentación de la herramienta.
20. Antes de poner en funcionamiento la herramienta, confirme si la longitud del cable de alimentación y de los cables prolongadores, si va a utilizarlos, es apropiada.
21. Antes de utilizar la herramienta, confirme que los orificios de ventilación del motor estén completamente abiertos.
22. Antes de comenzar a cortar, espere siempre hasta que el motor haya alcanzado la velocidad plena.
23. Mantenga siempre las empuñaduras secas, limpias, y exentas de aceite y grasa. Cuando utilice la herramienta, sujétela firmemente.
24. Para piezas de trabajo que sobrepasen la mesa de la sierra compuesta deslizante, utilice soportes.
25. Utilice siempre la herramienta después de haberse asegurado de que la pieza de trabajo esté adecuadamente fijada con un tornillo de carpintero.
26. El manual de instrucciones suministrado con la herramienta indica al usuario que asegure la herramienta a la estructura de soporte si, durante la operación normal, la herramienta tiende a volcarse, deslizarse, o moverse por la superficie de soporte.
27. Asegúrese antes de cada corte que la máquina esté estable.
28. Si la hoja de la sierra se atasca, desconecte la máquina y sostenga la pieza hasta que la hoja de la sierra se detenga por completo. Para evitar retrocesos, la pieza no podrá moverse hasta después de que la máquina se haya detenido completamente. Corrija la causa del atasco de la hoja de la sierra antes de volver a encender la máquina.
29. Utilice únicamente hojas de sierra marcadas con una velocidad máxima permitida igual o superior a la velocidad sin carga marcada en la HERRAMIENTA ELÉCTRICA.
30. Utilice solo un diámetro de la hoja de sierra de acuerdo con las marcas en la HERRAMIENTA ELÉCTRICA.
31. Reemplace la inserción de la mesa cuando esté desgastada.

LO QUE NO DEBERÁ HACERSE

NO VIOLE NUNCA LAS NORMAS SIGUIENTES PARA PODER UTILIZAR CON SEGURIDAD ESTA HERRAMIENTA:

1. No utilice nunca la HERRAMIENTA ELÉCTRICA a menos que haya comprendido completamente las instrucciones de operación contenidas en este manual.
2. No deje nunca la HERRAMIENTA ELÉCTRICA desatendida sin haber desenchufado antes el cable de alimentación.
3. No utilice nunca la HERRAMIENTA ELÉCTRICA cuando esté cansado, después de haber ingerido medicamentos, o cuando haya tomado bebidas alcohólicas.
4. No utilice nunca la HERRAMIENTA ELÉCTRICA para aplicaciones no especificadas en este manual.
5. No utilice nunca la herramienta con ropa floja, corbata, ni joyas, ni si haberse cubierto el pelo para evitar que puedan quedar atrapados en las partes móviles.
6. No acerque nunca las manos a la hoja de sierra.
7. No toque nunca las partes móviles, incluyendo la hoja de sierra, mientras esté utilizando la sierra.
8. No quite nunca ningún dispositivo de seguridad ni los protectores de la hoja de sierra, ya que la utilización de la herramienta sin ellos podría resultar peligrosa.
9. No bloquee nunca el revestimiento de protección inferior; confirme que se deslice suavemente antes de utilizar la herramienta.
10. No dañe nunca el cable de alimentación de la herramienta.
11. No intente mover nunca una HERRAMIENTA ELÉCTRICA con el dedo en el interruptor de disparo.
12. No intente nunca utilizar la HERRAMIENTA ELÉCTRICA si el interruptor de disparo no funciona adecuadamente.
13. No utilice nunca la HERRAMIENTA ELÉCTRICA si la envoltura de plástico o la empuñadura está rajada o deformada.
14. No utilice nunca la HERRAMIENTA ELÉCTRICA cerca de líquidos ni gases inflamables porque las chispas podrían causar una explosión.
15. No limpie nunca los componentes de plástico con disolventes, porque el plástico podría disolverse.
16. No utilice nunca la herramienta a menos que los protectores de la hoja de sierra estén en su lugar.
17. No levante nunca la hoja de sierra de la pieza de trabajo mientras no se haya parado completamente.

18. Cuando corte deslizando, no tire nunca de la empuñadura hacia usted mismo, ya que esto podría hacer que la hoja de sierra se saliese de la pieza de trabajo. Empuje siempre la empuñadura alejándola de usted mismo con un solo movimiento uniforme.
19. No coloque nunca sus miembros dentro de la línea cerca del signo de advertencia “⚠” mientras esté utilizando la herramienta. Esto podría resultar peligroso.
20. No utilice nunca hojas de tipo abrasivo con esta herramienta.
21. No exponga nunca la herramienta a la lluvia, ni la utilice en lugares húmedos.
22. No corte nunca metales ferrosos ni mampostería.
23. No cambie la luz LED por una de otro tipo.
24. No se coloque alineado con la hoja de la sierra delante de la máquina. Colóquese siempre a un lado de la hoja de la sierra. De esta manera su cuerpo quedará protegido de un posible retroceso. Mantenga las manos, dedos y brazos alejados de la hoja de la sierra mientras la hoja esté girando.
25. No cruce sus brazos al operar el brazo de la herramienta.
26. Cuando el cabezal de la sierra esté en la posición baja, nunca suelte la mano que está agarrando la empuñadura.
Si lo hace, podría romper el cabezal de la sierra, forzando la caída de la herramienta y posiblemente causar lesiones.
2. Para utilizar esta sierra ingletadora deslizando, utilice siempre gafas protectoras.
3. Mantenga siempre las manos fuera del trayecto de la hoja de sierra.
4. No utilice nunca la sierra sin los protectores en su lugar.
5. No realice ninguna operación sin las manos con esta sierra ingletadora deslizando.
6. No acerque nunca las manos a la hoja de sierra.
7. Antes de mover la pieza de trabajo o de cambiar los ajustes espere siempre a que la hoja de sierra se haya parado completamente.
8. Desconecte siempre la alimentación antes de cambiar la hoja o revisar la herramienta.
9. El diámetro de la hoja de sierra es de 12" (305 mm).
10. La velocidad sin carga es de 4,000 /min.
11. Para reducir el riesgo de lesiones, haga el retornar el carro a la posición la posición completamente hacia atrás después de cada operación de corte.
12. Definiciones para los símbolos utilizados en esta herramienta
 V voltios
 Hz hertzios
 A amperios
 No velocidad sin carga
 W vatios
 □ Construcción de Clase II
 ---/min Revoluciones o reciprocación por minuto
 ~ Corriente alterna

⚠ ADVERTENCIA

POR SU PROPIA SEGURIDAD, LEA ESTE MANUAL DE INSTRUCCIONES ANTES DE UTILIZAR LA TRONZADORA RADIAL ABATIBLE

1. Asegúrese de sostener firmemente la herramienta durante la operación. De lo contrario, podría sufrir un accidente o lesiones. (Fig. 1).

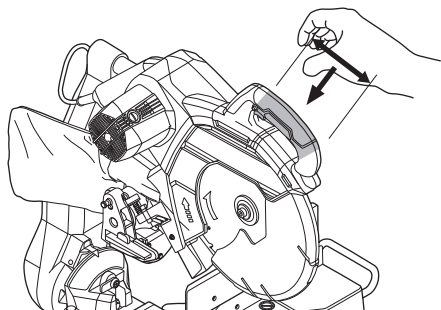


Fig. 1

PIEZAS DE REEMPLAZO

Para la reparación de una herramienta, utilice solamente piezas de reemplazo idénticas. Las reparaciones solamente deberán realizarse en un centro de servicio autorizado por metabo HPT.

UTILICE EL CABLE PROLONGADOR ADECUADO

Cerciórese de que el cable prolongador esté en buenas condiciones. Cuando utilice un cable prolongador, cerciórese de que tenga el calibre (grosor) suficiente como para poder conducir la corriente necesaria para la herramienta. Un cable de calibre inferior causaría la caída de tensión, lo que resultaría en pérdida de potencia y en recalentamiento. En la tabla siguiente se indica el calibre correcto de acuerdo con la longitud del cable y la indicación de amperaje de la tabla de características. Si tienes dudas, utiliza el calibre siguiente más pesado. Cuando menor sea el número de calibre, mayor será el cable.

Tabla 1

CALIBRE MÍNIMO PARA CONJUNTOS DE CABLES					
Amperaje nominal		Calibre (AWG) del cable			
Más de	No más de	Longitud total del cable en pies (metros)			
		25 (7.6)	50 (15.2)	100 (30.5)	150 (45.7)
0-6		18	16	16	14
0-6		18	16	14	12
10-12		16	16	14	12
12-16		14	12	No se recomienda	

ADVERTENCIA

Evite descargas eléctricas. No utilice nunca esta herramienta con un cable de alimentación o prolongador dañado ni reparado. Inspeccione regularmente todos los cables eléctricos. No utilice nunca la herramienta cerca del agua ni en ningún otro lugar en el que exista el riesgo de descargas eléctricas.

AISLAMIENTO DOBLE PARA OFRECER UNA OPERACIÓN MÁS SEGURA

Para garantizar una operación más segura de esta herramienta eléctrica, metabo HPT ha adoptado un diseño de aislamiento doble. "Aislamiento doble" significa que se han utilizado dos sistemas de aislamiento físicamente separados para aislar los materiales eléctricamente conductores conectados a la fuente de alimentación del bastidor exterior manejado por el operador. Por lo tanto, en la herramienta eléctrica o en su placa de características aparecen el símbolo "☐" o las palabras "Double insulation" (aislamiento doble). Aunque este sistema no posee puesta a tierra externa, usted deberá seguir las precauciones sobre seguridad eléctrica ofrecidas en este Manual de instrucciones, incluyendo la no utilización de la herramienta eléctrica en ambientes húmedos.

Para mantener efectivo el sistema de aislamiento doble, tenga en cuenta las precauciones siguientes:

- Esta herramienta solamente deberá ser desmontada y montada en un CENTRO DE SERVICIO AUTORIZADO POR metabo HPT, y sólo deberán utilizarse piezas de reemplazo genuinas de metabo HPT.
- Limpie el exterior de la herramienta eléctrica solamente con un paño suave humedecido en agua jabonosa, y después séquela bien.
- No utilice disolventes, gasolina, ni diluidor de pintura para limpiar las partes de plástico, ya que podría disolverlas.

**¡GUARDE ESTAS INSTRUCCIONES
Y
PÓNGALAS A DISPOSICIÓN DE OTROS USUARIOS
Y
PROPIETARIOS DE ESTA HERRAMIENTA!**

DESCRIPCIÓN FUNCIONAL

NOTA

La información contenida en este Manual de instrucciones ha sido diseñada para ayudarle a utilizar con seguridad y mantener esta herramienta eléctrica.

NUNCA haga funcionar ni efectúe el mantenimiento de la herramienta antes de leer y comprender todas las instrucciones de seguridad contenidas en este manual.

Algunas ilustraciones de este Manual de Instrucciones pueden mostrar detalles o accesorios diferentes a los de la propia herramienta eléctrica.

NOMENCLATURA DE PARTES

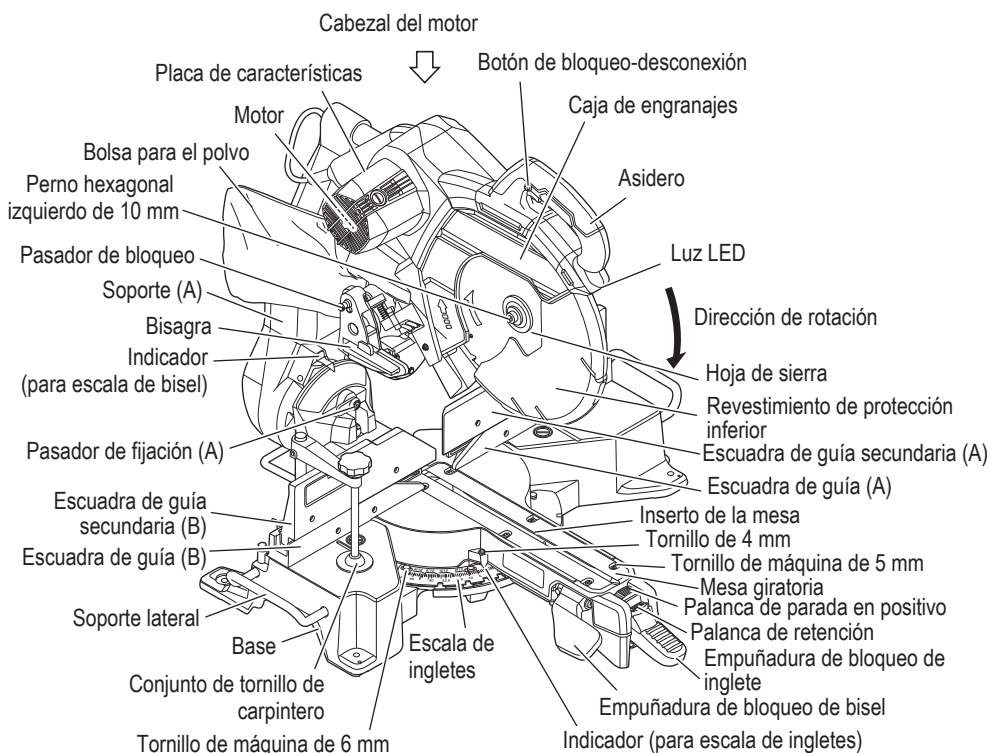


Fig. 2

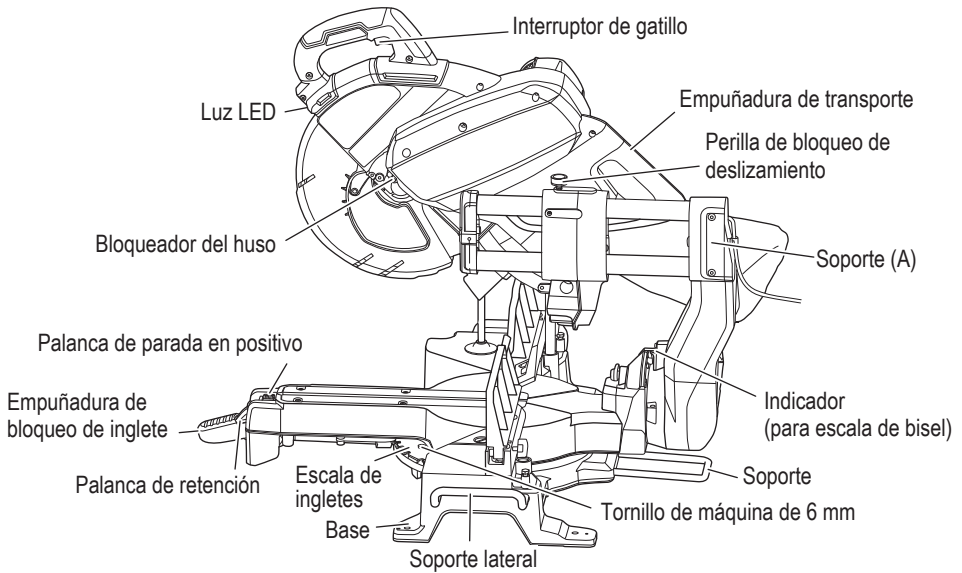


Fig. 3

ESPECIFICACIONES

Modelo	C 12RSH3	
Motor	Tipo	Motor conmutador en serie
	Fuente de alimentación	Monofásica, CA, 60 Hz
	Tensión	120 V
	Corriente a plena carga	15 A
Luz LED	Sí	
Hoja de sierra aplicable	Diámetro exterior: 12" (305 mm) Diámetro del orificio: 1" (25.4 mm) Espesor de corte máximo de 7/64" (2.8 mm)	
Velocidad sin carga	4,000 /min	
Margen de corte de ingletes	0-45° a la izquierda 0-57° a la derecha	
Margen de corte en bisel	0-45° a la izquierda 0-45° a la derecha	
Margen de corte compuesto	0-45° a la izquierda (bisel)	0-45° a la izquierda (inglete), 0-45° a la derecha (inglete)
	0-45° a la derecha (bisel)	0-45° a la derecha (inglete), 0-45° a la izquierda (inglete)
Peso neto	56.1 lbs. (25.4 kg)	
Cable	Cable de tipo de 2 conductores de 6 pies (1.8 m)	

Tabla 2: Dimensión máxima de corte

	Cabezal	Mesa giratoria	Dimensión máxima de corte		
			Altura máx.	Anchura máx.	Con tabla aux.
Ingletes	0	0	4-3/16" (107 mm)	12-1/4" (312 mm)	-
			* 4-11/16" (120 mm)	10-3/16" (260 mm)	1" (25mm)
		Izquierdo 45° o Derecho 45°	4-3/16" (107 mm)	8-5/8" (220 mm)	-
			* 4-11/16" (120 mm)	7-1/16" (180 mm)	1" (25mm)
		Derecho 57°	4-3/16" (107 mm)	6-11/16" (170 mm)	-
			* 4-3/4" (120 mm)	5-1/8" (130 mm)	1" (25mm)
Bisel	Izquierdo 45°	0	2-3/4" (70 mm)	12-1/4" (312 mm)	-
			* 2-15/16" (75 mm)	10-3/16" (260 mm)	1" (25mm)
	Derecho 45°	0	1-3/4" (45 mm)	12-1/4" (312 mm)	-
			* 1-15/16" (50 mm)	10-3/16" (260 mm)	1" (25mm)
Compuesto	Izquierdo 45°	Izquierdo 45°	2-3/4" (70 mm)	8-5/8" (220 mm)	-
			* 2-15/16" (75 mm)	7-1/16" (180 mm)	1" (25mm)
		Derecho 45°	2-3/4" (70 mm)	8-5/8" (220 mm)	-
			* 2-15/16" (75 mm)	7-1/16" (180 mm)	1" (25mm)
	Derecho 45°	Izquierdo 45°	1-3/4" (45 mm)	8-5/8" (220 mm)	-
			* 1-15/16" (50 mm)	7-1/16" (180 mm)	1" (25mm)
		Derecho 45°	1-3/4" (45 mm)	8-5/8" (220 mm)	-
			* 1-15/16" (50 mm)	7-1/16" (180 mm)	1" (25mm)

Cuando corte la pieza de trabajo con las dimensiones de "*" puede existir la posibilidad de que el extremo inferior de la sierra circular toque la pieza de trabajo, incluso aunque el cabezal del motor se encuentre en la posición del límite superior. Preste atención cuando corte la pieza de trabajo. Para más detalles, consulte "APLICACIONES PRÁCTICAS" de la página 93. Monte la tabla auxiliar sobre la superficie de la escuadra de guía. Consulte la sección "5. Corte de piezas de trabajo grandes" en la página 95 (Fig. 27).

MONTAJE Y OPERACIÓN

APLICACIONES

- Corte de varios tipos de madera
- Corte de banda de aluminio.

PREPARATIVOS PREVIOS A LA OPERACIÓN

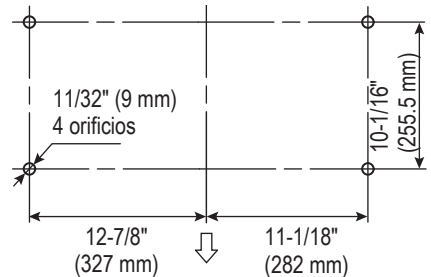
1. Fuente de alimentación
Compruebe que la fuente de alimentación utilizada cumpla con los requisitos especificados en la placa de características del producto.
2. Interruptor de alimentación
Compruebe que el interruptor esté en la posición OFF. Si el enchufe se conecta a un tomacorriente mientras el interruptor está encendido, la herramienta eléctrica comenzará a funcionar de inmediato, lo que podría ocasionar lesiones graves.
3. Cable prolongador
Cuando el área de trabajo esté lejos de la fuente de alimentación, utilice un cable prolongador con un grosor y una capacidad nominal suficientes. El cable prolongador debe mantenerse lo más corto posible.



⚠️ ADVERTENCIA

El cable dañado se debe reemplazar o reparar.

4. Quite todo el material de embalaje adherido o vinculado con la herramienta antes de usarla.
5. Instalación
Coloque la herramienta eléctrica sobre un banco de trabajo nivelado horizontal, como se muestra en la Fig. 4.
Seleccione pernos de 5/16" (8 mm) de diámetro y de la longitud adecuada al grosor del banco de trabajo. La longitud del perno deberá ser de 1-9/16" (40 mm) por lo menos más el grosor del banco de trabajo. Por ejemplo, utilice pernos de 2-9/16" (65 mm) o más para un banco de trabajo con grosor de 1" (25 mm).



Empuñadura de bloqueo de inglete lateral

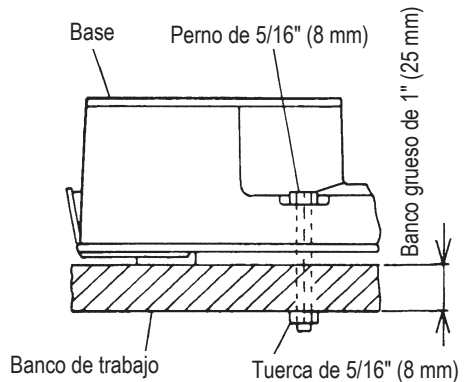
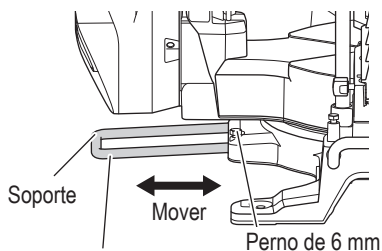


Fig. 4

El soporte fijado a la parte posterior de la base ayuda a estabilizar la herramienta eléctrica.

Ajuste del soporte:

Afloje el perno de 6 mm con la llave de cubo de Llave de cubo de 10 mm.
Ajuste el soporte hasta que su superficie inferior entre en contacto con la superficie del banco de trabajo.
Después del ajuste, apriete firmemente el perno de 6 mm.



Ajuste el soporte hasta que su superficie inferior entre en contacto con la superficie del banco de trabajo.

Fig. 5

6. Liberación del pasador de bloqueo
 Cuando la herramienta eléctrica esté preparada para transportarse, sus partes principales estarán aseguradas mediante el pasador de bloqueo. Presione la empuñadura ligeramente hacia abajo y saque el pasador de bloqueo para desacoplar el cabezal de corte.
 Durante el transporte, bloquee el pasador de bloqueo en la caja de engranajes.

Pasador de bloqueo

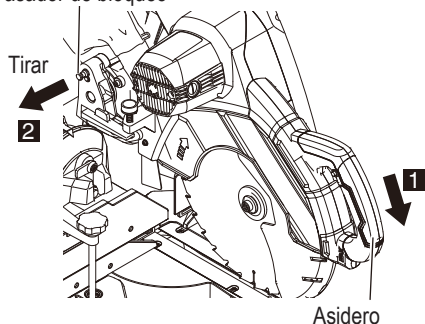


Fig. 6

7. Instalación de la bolsa para el polvo, el soporte lateral, el retén y los tornillos de carpintero (El retén es un accesorio opcional).
 Para vaciar la bolsa para el polvo, saque el conjunto de la bolsa para el polvo del puerto para el polvo. Abra la cremallera de la parte inferior de la bolsa y vacíela en un contenedor de residuos. **Verifique frecuentemente y vacíe la bolsa para el polvo antes de que se llene.**

Si se corta en bisel con ángulo, ajuste la barra de soporte e instale la bolsa para el polvo hacia abajo en posición vertical.

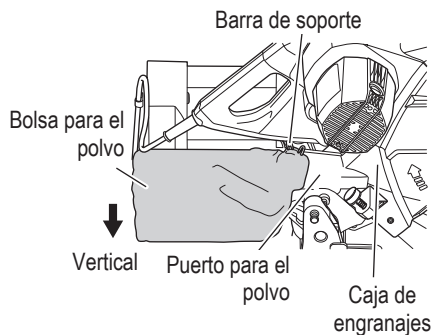


Fig. 7

⚠ ADVERTENCIA

No utilice esta sierra para cortar o lijar metales. Las chispas pueden hacer que el polvo del serrado en la bolsa se incendie.

⚠ PRECAUCIÓN

- Vacíe frecuentemente la bolsa para el polvo para evitar que se atasquen el conducto y el revestimiento de protección inferior. Durante el corte en bisel se acumulará más polvo de lo normal.
- Tras cortar madera, antes de empezar a cortar la banda de aluminio, apague las chispas en la bolsa para el polvo.

(Acople el conjunto de tornillo de carpintero como se visualiza en las Fig. 2, Fig. 3 y Fig. 23.)

ANTES DE LA UTILIZACIÓN

⚠ ADVERTENCIA

Siga los pasos del 1 al 10 antes de instalar la Fuente de alimentación en la herramienta.

1. Cerciórese de que la fuente de alimentación sea adecuada para la herramienta.

⚠ ADVERTENCIA

No conecte nunca la herramienta eléctrica a menos que la fuente de alimentación de CA disponible sea de la misma tensión que la especificada en la placa de características de dicha herramienta.

Nunca conecte esta herramienta eléctrica a una fuente de alimentación de CC.

2. Cerciórese de que el interruptor de disparo esté en OFF.

⚠️ ADVERTENCIA

Si conectase el cable de alimentación en la fuente de alimentación con el interruptor de disparo en ON, la herramienta se pondría repentinamente en funcionamiento y podría causar un accidente serio.

3. Compruebe si la hoja de sierra posee defectos visibles.
Confirme que la hoja de sierra esté exenta de rajaduras y de otros defectos visibles.
4. Confirme que la hoja de sierra esté fijada con seguridad a la herramienta eléctrica.
Utilice la llave de barra hexagonal de 8 mm para apretar el perno hexagonal izquierdo de 10 mm en el husillo de la hoja de sierra y fijar esta última.
Para obtener más información, consulte las Fig. 48-a, 48-b y 48-c en la sección "MONTAJE Y DESMONTAJE DE LA HOJA DE SIERRA".
5. Compruebe si el revestimiento de protección inferior funciona adecuadamente.

⚠️ ADVERTENCIA

NO UTILICE NUNCA LA HERRAMIENTA ELÉCTRICA si el revestimiento de protección inferior no funciona suavemente.

El revestimiento de protección inferior está diseñado para evitar que el operador entre en contacto con la hoja de sierra cuando utilice la herramienta.
Compruebe siempre si el revestimiento de protección inferior se mueve suavemente y si cubre adecuadamente la hoja de sierra.

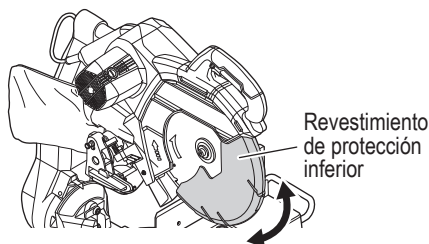


Fig. 8

6. Antes de utilizar la herramienta, confirme la posición del bloqueador del huso.
Luego de instalar la hoja de sierra, confirme que el

pasador de bloqueo haya vuelto a la posición liberada antes de usar la herramienta eléctrica (refiérase a la Fig. 3).

7. Compruebe el tomacorriente de CA.
Para evitar el recalentamiento, la parada accidental, o la operación intermitente, confirme que el enchufe del cable de alimentación esté firmemente insertado en el tomacorriente y que no se caiga después de haberlo insertado. Si el tomacorriente está defectuoso repare o reemplácelo.
8. Confirme que el cable de alimentación de la herramienta no esté dañado.
Repare o reemplace el cable de alimentación si una inspección indica que está dañado.

9. Protección ocular

⚠️ ADVERTENCIA

Operar la herramienta sin usar la protección ocular correcta podría ocasionar lesiones severas.

Siempre use protección ocular con protecciones laterales que cumpla con los requerimientos de la norma estándar ANSI Z87.1.

Las gafas comunes no proporcionan la protección adecuada debido a que no contienen cristal de seguridad resistente a impactos.

10. Freno eléctrico

⚠️ ADVERTENCIA

Tenga presente la reacción del cabezal del motor (Fig. 2) cuando se active freno. El frenado ocasiona que el cabezal del motor se mueva bruscamente hacia abajo y el usuario debe estar preparado para esta reacción, especialmente cuando se libera el interruptor de activación antes de que baje por completo la cuchilla. De no estar familiarizado ni preparado para su utilización, las características operacionales de la herramienta podrían ocasionar lesiones severas.

DESPUÉS DE HABER CONECTADO EL ENCHUFE DEL CABLE DE ALIMENTACIÓN EN UN TOMACORRIENTE DE CA APROPIADO, COMPRUEBE LA OPERACIÓN DE LA HERRAMIENTA DE LA FORMA SIGUIENTE:

Esta herramienta está equipada con un freno eléctrico que comúnmente detiene la cuchilla en un tiempo de 5 segundos después de liberar el interruptor de activación. Ocasionalmente, se producirá un retraso al aplicarse el freno lo que podría ocasionar que el tiempo de parada de la cuchilla sea mayor. En raras ocasiones, el freno podría no aplicarse por completo y la hoja de sierra avanzará hasta la parada.

Si el freno no se aplica frecuentemente, presione y suelte el interruptor de activación para encender y apagar la herramienta 4 o 5 veces. Si el freno aún no se activa, lleve la herramienta a revisión a un centro de servicio autorizado metabo HPT.

11. Operación de prueba

Después de haber confirmado que no se ha olvidado de nada, ponga en funcionamiento la herramienta eléctrica, y confirme que no haya ninguna anomalía antes de intentar realizar la operación de corte.

12. Inspeccione la estabilidad de rotación de la hoja de sierra.

Para cortar con precisión, gire la hoja de sierra y compruebe la deflexión para confirmar que la hoja no esté inestable, ya que de lo contrario, podrían producirse vibraciones y ocurrir un accidente.

ANTES DEL CORTE

1. Ubicación del inserto de la mesa

Los insertos de la mesa se instalan en la mesa giratoria. Cuando la herramienta sale de la fábrica, los insertos de la mesa están fijados de forma que la hoja de sierra no entre en contacto con ellos. Las rebabas de la superficie inferior de la pieza de trabajo se reducirán notablemente si el inserto de la mesa está fijado de forma que la separación entre la superficie lateral del inserto de la mesa y la hoja de sierra sea mínima. Antes de utilizar la herramienta, elimine esta separación de acuerdo con el procedimiento siguiente.

(1) Corte en ángulo recto

Afloje los tres tornillos de 5 mm, seguidamente asegure el inserto de mesa del lado izquierdo y apriete temporalmente los tornillos para metales de 5 mm de ambos extremos. Luego fije una pieza de trabajo (aproximadamente 7-7/8" (200 mm) de ancho) con el conjunto de tornillo de banco y córtela. Tras alinear la superficie de corte con el borde del inserto de mesa, apriete firmemente los tornillos para metales de 5 mm de ambos extremos. Retire la pieza de trabajo y apriete firmemente el tornillo para metales central de 5 mm. Ajuste de la misma manera el inserto de mesa del lado derecho. (Fig. 9-a)

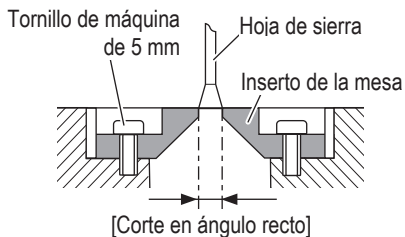


Fig. 9-a

- (2) Corte en bisel hacia la izquierda y la derecha
Ajuste el inserto de la mesa de la forma mostrada en la Fig. 9-b y Fig. 9-c siguiendo el mismo procedimiento que para el corte en ángulo recto.

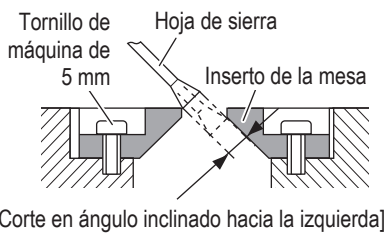


Fig. 9-b

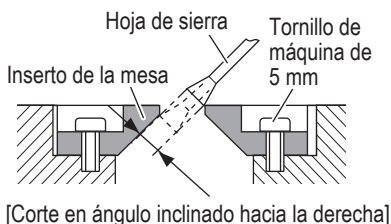


Fig. 9-c

⚠ PRECAUCIÓN

Después de haber ajustado el inserto de la mesa para el corte en ángulo recto, dicho inserto se cortará ligeramente si se utiliza para corte en bisel.

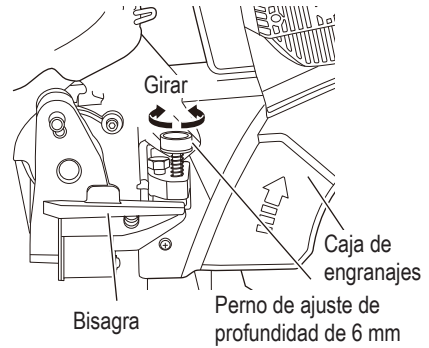
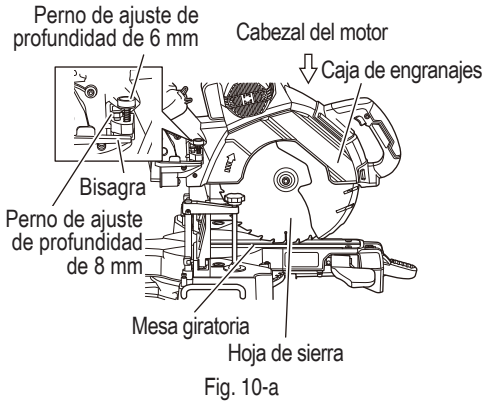
Cuando se requiera la operación de corte en bisel, ajuste el inserto de la mesa para dicho corte.

2. Comprobación de la posición de límite inferior de la hoja de sierra
Verifique que es posible bajar la hoja de sierra 10 mm a 11 mm por debajo del inserto de la mesa. Cuando reemplace una cuchilla de sierra por una

nueva, ajuste la posición de límite inferior de modo que la cuchilla de sierra no corte la plataforma o el corte completo no se pueda realizar.

Además, cuando cambie la posición de un perno de ajuste de 8 mm de profundidad que sirve como retén de posición de límite inferior de la cuchilla de sierra.

- (1) Gire el perno de ajuste de 8 mm de profundidad, cambie la altura donde la cabeza del perno y la bisagra se contactan, y ajuste la posición de límite inferior de la cuchilla de sierra. (Fig. 10-a)

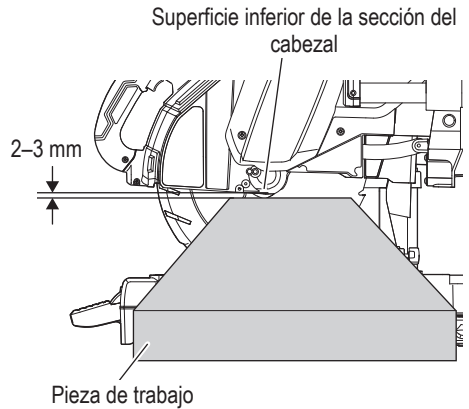


3. Posición de límite inferior de la hoja de sierra cuando se corta una pieza de trabajo grande
 Cuando corte una pieza de trabajo de entre 4-7/32" (107 mm) y 4-11/16" (120 mm) de altura en ángulo recto, entre 2-3/4" (70 mm) y 2-15/16 (75 mm) en ángulo a bisel izquierdo o entre 1-3/4" (45 mm) y 1-15/16 (50 mm) en el corte en ángulo a bisel derecho, ajuste la posición de límite inferior de manera que la base del cabezal del motor (consulte la Fig. 10-a) no entre en contacto con la pieza de trabajo.

NOTA

Verifique que la hoja de la sierra está ajustada para que no corte en la mesa giratoria.

Baje el cabezal del motor, y gire el perno de ajuste de profundidad de 6 mm, y realice los ajustes de manera que se pueda formar una holgura de 5/64" a 1/8" (2 mm a 3 mm) entre la posición de límite inferior de el cabezal del motor y la parte superior de la pieza de trabajo en la posición de límite inferior de la hoja de sierra donde la cabeza del perno de ajuste de profundidad de 6 mm entra en contacto con la bisagra. (Fig. 10-b)



4. Confirmación sobre el uso de la escuadra de guía secundaria (A)

⚠ ADVERTENCIA

Quando corte en bisel hacia la derecha, afloje el perno de aletas de 6 mm, luego deslice la guía auxiliar (A) hacia afuera y quítela, como se indica en la Fig. 11.

No hacerlo puede hacer que el cuerpo principal o la cuchilla de la sierra entre en contacto con la guía auxiliar (A) y produzca lesiones.

Esta herramienta mecánica está equipada con una escuadra de guía secundaria (A). En el caso de corte en ángulo directo y de corte en ángulo a bisel izquierdo, utilice la escuadra de guía secundaria (A). Esto le permitirá realizar un corte estable del material con una cara trasera ancha.

⚠ PRECAUCIÓN

En el caso del corte en ángulo directo y el corte en ángulo a bisel izquierdo, deslice hacia adentro hasta alcanzar la posición donde la escuadra de guía secundaria (A) hace tope y fíjela con un perno de aletas de 6 mm (como se muestra en la Fig. 11).

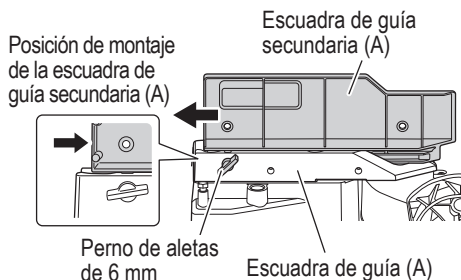


Fig. 11

5. Confirmación para el uso de la escuadra de guía secundaria (B)

⚠ ADVERTENCIA

Quando corte en bisel hacia la izquierda, afloje el perno de aletas de 6 mm, luego deslice la guía auxiliar (B) hacia afuera, como se indica en la Fig. 12.

No hacerlo puede hacer que el cuerpo principal o la cuchilla de la sierra entre en contacto con la guía auxiliar (B) y produzca lesiones.

Esta herramienta mecánica está equipada con una escuadra de guía secundaria (B). En el caso de corte en ángulo directo y de corte en ángulo a bisel derecho, utilice la escuadra de guía secundaria (B). Esto le permitirá realizar un corte estable del material con una cara trasera ancha.

⚠ PRECAUCIÓN

En el caso del corte en ángulo directo y el corte en ángulo a bisel derecho, deslice hacia adentro hasta alcanzar la posición donde la escuadra de guía secundaria (B) hace tope y fíjela con un perno de aletas de 6 mm. (como se muestra en la Fig. 12).

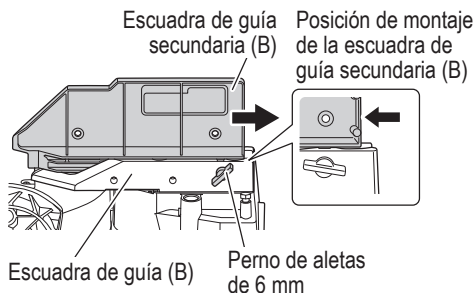


Fig. 12

6. Ángulo oblicuo

⚠ ADVERTENCIA

Quando cambie el ángulo oblicuo, agarre el cabezal del motor. Si el cabezal del motor cambia a un ángulo oblicuo repentinamente, podría resultar en lesiones físicas o daños en el cuerpo principal

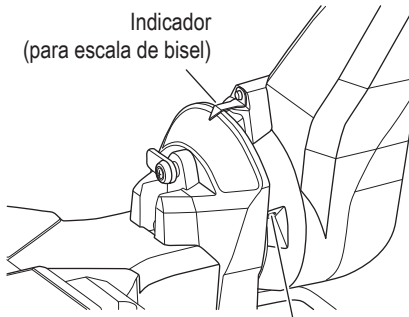
Quando la herramienta eléctrica sale de fábrica, se ajusta para un corte de 0° en ángulo recto, a bisel izquierdo de 45° y a bisel derecho de 45° con los tornillos de fijación de 8 mm.

Quando cambie el ajuste, rote los tornillos de fijación de 8 mm para cambiar su altura (Fig. 13-a, Fig. 13-b). Al cambiar el ángulo a bisel izquierdo de 45°, afloje el perno de aletas de 6 mm mostrado en la Fig. 12, deslice la escuadra de guía secundaria (B) hacia afuera e incline el cabezal del motor hacia la izquierda.

Para cambiar el ángulo del bisel hacia la derecha a 45°, mueva la escuadra de guía secundaria (A) hacia fuera y afloje el asidero de bloqueo del bisel, luego saque el pasador de fijación (A) hacia el frontal e incline el cabezal del motor hacia la derecha. (Fig. 13-b)

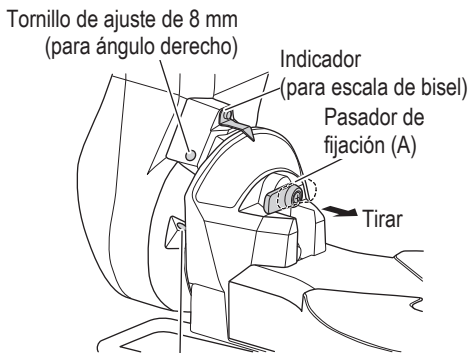
Quando el cabezal del motor está recto en vertical, el pasador de fijación (A) se retiene firmemente en su lugar, por lo que deberá inclinar el cabezal del motor ligeramente hacia la izquierda al sacar el pasador de fijación (A) antes de inclinar el cabezal del motor hacia la derecha.

Quando ajuste el cabezal del motor a 0°, siempre haga volver el pasador de fijación (A) a su posición inicial, tal como se observa en la Fig. 13-b.



Tornillo de ajuste de 8 mm
(para ángulo a bisel izquierdo
de 45°)

Fig. 13-a



Tornillo de ajuste de 8 mm
(para ángulo a bisel derecho de
45°)

Fig. 13-b

7. Inmovilización de la pieza de trabajo

⚠ ADVERTENCIA

Sujete siempre la pieza de trabajo a la escuadra de guía, ya que de lo contrario podría salirse de la mesa y causar lesiones serias.

8. Instalación del soporte lateral

El soporte lateral ayuda a mantener las piezas de trabajo más largas estables y en su lugar durante la operación de corte.

Tal y como se indica en la Fig. 14, el soporte lateral se debe instalar en los orificios del lateral de la base y apretarse con un perno de 6 mm.

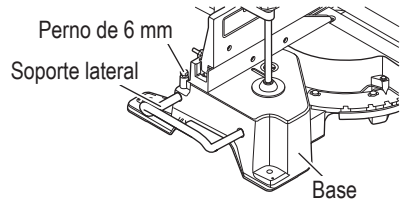


Fig. 14

⚠ PRECAUCIÓN

Al transportar o llevar la herramienta, no agarre el soporte. Existe el peligro de que el soporte se deslice fuera de la base.

Para la forma correcta de sujetar la herramienta, consulte "TRANSPORTE DEL CUERPO PRINCIPAL".

9. Instalación de los soportes ... (accesorios opcionales)
Los soportes ayudan a mantener las piezas de trabajo más largas estables y en su lugar durante la operación de corte.
 - (1) Como se indica en la Fig. 15, utilice una escuadra de acero para alinear el borde superior de los soportes con la superficie de la base.
Afloje el perno de aletas de 6 mm. Gire el perno de ajuste de altura de 6 mm y ajuste la altura del soporte.
 - (2) Después del ajuste, apriete con firmeza el perno de aletas y ajuste el soporte con la perilla de aletas de 6 mm (accesorio opcional). Si la longitud del perno de ajuste de altura de 6 mm es insuficiente, coloque una placa delgada debajo. Compruebe que el extremo del perno de ajuste de altura de 6 mm no sobresalga del soporte. (Fig. 15)

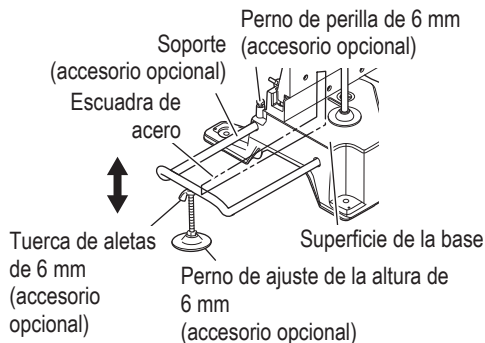


Fig. 15

10. Tope para corte de precisión (el tope y el soporte son accesorios opcionales)

El tope facilita un corte de precisión continuo en longitudes de 11 in a 17-3/4 in (280 mm a 450 mm). Para instalar el tope, fíjelo al soporte con el perno de aletas de 6 mm, tal y como se muestra en la Fig. 16.

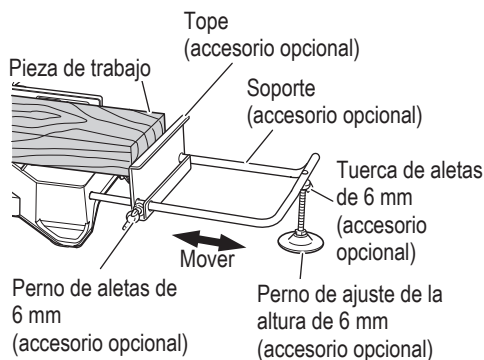


Fig. 16

11. Sistema de carro deslizante

⚠ ADVERTENCIA

Para reducir el riesgo de lesión, devuelva el carro deslizante hasta la posición totalmente atrás después de cada operación de corte.

Para operaciones de corte a trozos en piezas de trabajo pequeñas, deslice el conjunto del cabezal de corte completamente hacia la parte trasera de la unidad y apriete la perilla de fijación de deslizamiento.

Para cortar placas de hasta 312 mm, la perilla de

fijación de deslizamiento debe ser aflojada para permitir que el cabezal de corte se deslice libremente. (Fig. 17)

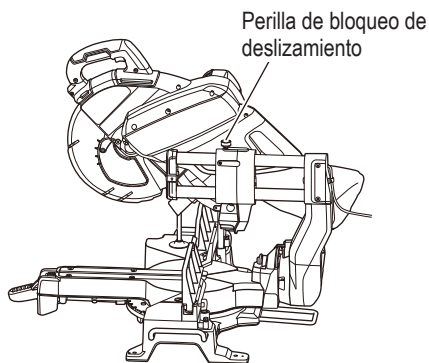


Fig. 17

12. Ajuste de la escala de ingletes

- Baje el cabezal e introduzca el pasador de bloqueo. Desbloquee la empuñadura de bloqueo e incline la mesa giratoria hasta que la parada en positivo la detenga en la posición de inglete 0°. No bloquee la empuñadura de bloqueo de inglete. Coloque una escuadra contra la hoja y la guía de la sierra, tal y como se muestra en la Fig. 18 (no toque las puntas de los dientes de la hoja con la escuadra, ya que la medición será imprecisa). Si la hoja de la sierra no queda exactamente perpendicular a la guía, afloje los tornillos de la máquina de 6 mm (4 uds.) que sujetan la escala de ingletes y mueva la empuñadura de bloqueo de inglete y la escala hacia la derecha o la izquierda hasta que la hoja quede perpendicular a la guía, según haya medido con la escuadra. Vuelva a apretar los pernos de la máquina de 6 mm (4 uds.) (Fig. 18). Ignore la lectura del indicador (para escala de ingletes) en este momento.

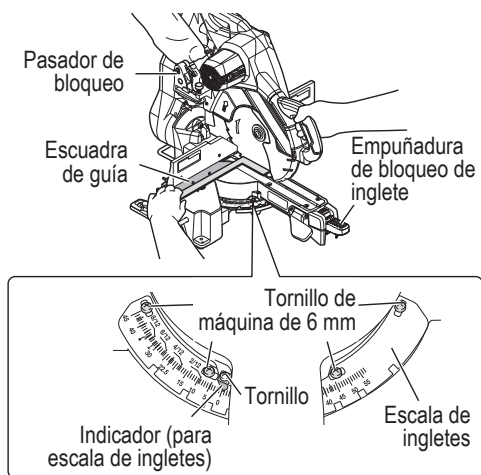


Fig. 18

- Ajuste del indicador (para escala de ingletes)
Desbloquee la empuñadura de bloqueo de inglete para mover la mesa giratoria a la posición de 0°. Tras desbloquear la empuñadura de bloqueo de inglete, deje que la parada en positivo encaje en su sitio mientras gira la mesa giratoria a 0°. Observe el indicador (para escala de ingletes) y la escala de ingletes que se muestran en la Fig. 18. Si el indicador (para escala de ingletes) no muestra exactamente 0°, afloje el tornillo de 4 mm que lo sujeta. Vuelva a colocar el indicador (para escala de ingletes) en su sitio y apriete el tornillo de 4 mm.

- 13. Ajuste del ángulo de inglete
La escala de sierra de inglete compuesta puede ser leída fácilmente; en ella se muestran ángulos de inglete de 0° a 45° hacia la izquierda y la derecha. La mesa de la sierra de inglete tiene nueve de los ajustes de ángulo más comunes con paradas en positivo en 0°, 15°, 22.5°, 31.6° y 45°. Estas paradas en positivo sitúan la hoja en el ángulo deseado de una forma rápida y precisa.
Siga el proceso indicado a continuación para lograr los ajustes más rápidos y precisos. (Fig. 19)

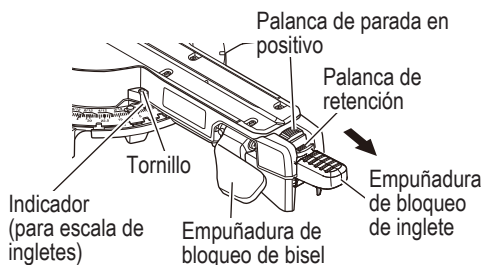


Fig. 19

- Ajustar los ángulos de inglete:
- (1) Empuje hacia arriba la empuñadura de bloqueo de inglete para soltar la mesa giratoria.
 - (2) Empuje hacia abajo la palanca de parada en positivo hasta que la palanca de retención se acople para soltar la "parada en positivo".
 - (3) Rote la mesa giratoria y configure el indicador para que se ajuste al ángulo deseado de la escala de ingletes. En este momento, al usar la función de parada en positivo, tire de la palanca de retención en la dirección de la fecha hasta el ángulo deseado, tal y como se muestra en la Fig. 19. A continuación, suelte la palanca de retención y mueva la mesa giratoria para fijarla en su sitio al ángulo deseado con la función de parada en positivo (0°, 15°, 22,5°, 31,6° y 45°).
 - (4) Empuje hacia abajo la empuñadura de bloqueo de inglete para fijar la mesa giratoria en su sitio.

Palanca de retención (Fig. 19)

La palanca de retención permite que la mesa se microajuste y desactiva la función de parada en positivo. Cuando un ángulo de inglete requerido está cerca de una parada de detención en positivo, esta palanca de retención evita que la cuña de la palanca de parada en positivo se deslice hasta la ranura de detención de la base.

- 14. Sistema de luces LED (Fig. 20) [XACT CUT LED™]

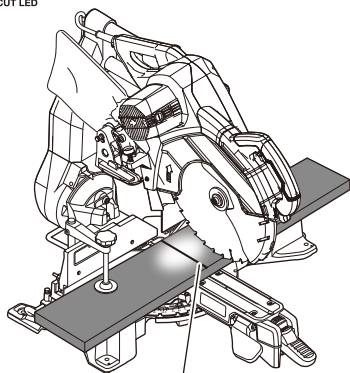
⚠ PRECAUCIÓN

No mire fijamente a la lámpara cuando esté encendida. Mirar fijamente al haz de luz puede ocasionar lesiones graves o la pérdida de la visión.

El sistema de iluminación LED [XACT CUT LED™] proyecta la sombra de la hoja sobre la pieza de trabajo. Esto se traduce en una mayor precisión de los cortes y no necesita ajustes.

La luz LED se encenderá al conectar el enchufe en la toma.

Baje el cabezal del motor para que la hoja esté a aproximadamente a 1/4 in (6 mm) de la pieza de trabajo. La sombra de la hoja se proyectará sobre la pieza de trabajo, indicando dónde harán contacto los dientes de la hoja a medida que se realiza el corte. Para apagar la luz LED, desconecte el enchufe de la toma.



Sombra de los dientes de la hoja proyectada sobre la pieza de trabajo

Fig. 20

APLICACIONES PRÁCTICAS

⚠ ADVERTENCIA

- Para evitar lesiones, no quite ni reemplace nunca la pieza de trabajo sobre la mesa mientras la herramienta esté en funcionamiento.
- No coloque nunca sus miembros dentro de la línea cerca del signo de advertencia mientras esté utilizando la herramienta. Esto podría resultar peligroso.

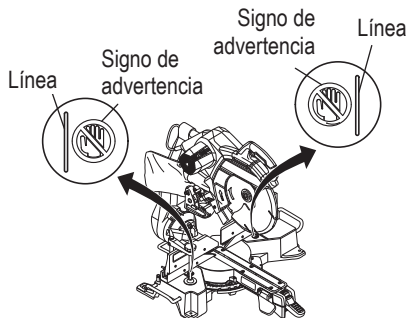


Fig. 21

1. Operación del interruptor
La herramienta no arrancará a menos que presione el botón de bloqueo-desconexión mientras el interruptor esté hacia atrás. El botón de bloqueo-desconexión puede activarse presionándolo desde la izquierda. Después de encender el interruptor, la hoja de sierra continuará funcionando mientras se presione el interruptor de disparo, incluso si usted suelta el botón de desactivación del bloqueo. Cuando se suelta el interruptor, el botón de bloqueo-desconexión se desactiva automáticamente para evitar un arranque involuntario del motor.

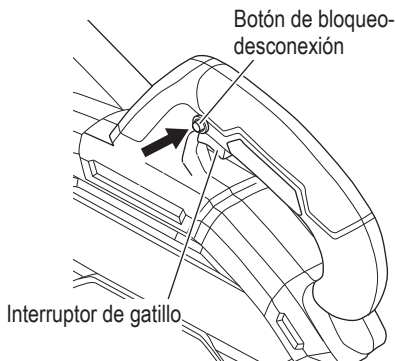


Fig. 22

⚠ ADVERTENCIA

Nunca bloquee el botón de bloqueo-desconexión en la posición presionada. Si jala el interruptor hacia atrás, la herramienta comenzará a funcionar repentinamente, lo que podría provocar lesiones.

2. Inmovilización de la pieza de trabajo
 - Utilización del conjunto de tornillo de carpintero (Accesorio estándar)
 - (1) La prensa de tornillo se puede colocar sobre la base.
 - (2) Gire la perilla superior y fije firmemente la pieza de trabajo en su lugar (Fig. 23).

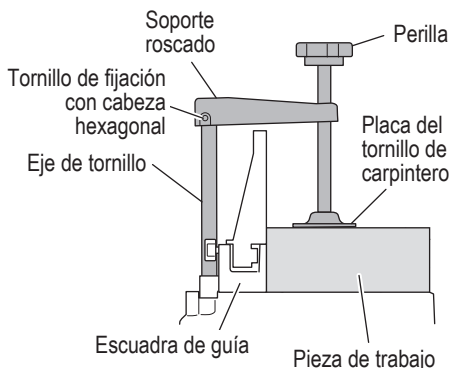


Fig. 23

⚠ ADVERTENCIA

Utilice abrazaderas para sostener la pieza de trabajo siempre que sea posible. Si sostiene la pieza de trabajo con la mano, siempre debe mantener la mano al menos 100 mm del otro lado de la cuchilla de la sierra. No utilice esta sierra si las piezas que desea cortar son demasiado pequeñas para sujetarse de forma segura con las abrazaderas o con la mano. Si coloca la mano demasiado cerca de la hoja de la sierra, habrá un mayor riesgo de lesiones por contacto. Además, la pieza de trabajo puede salir disparada de la mesa y causar daños físicos.

⚠ PRECAUCIÓN

Confirme siempre que el cabezal del motor (Fig. 3) no entre en contacto con el conjunto de tornillo de carpintero cuando descienda para realizar la operación de corte. Si existe el peligro de que pueda pasar esto, afloje ligeramente el tornillo de fijación con cabeza hexagonal y mueva el conjunto de tornillo de carpintero hasta una posición en la que no entre en contacto con la hoja de sierra.

- Uso de la abrazadera (disponible para venta)
Para molduras de base con altura y otros materiales que no permiten el uso del conjunto de tornillo de carpintero (accesorio estándar), compruebe de que el material esté fijado en su sitio con abrazaderas disponibles para venta (Fig. 24).

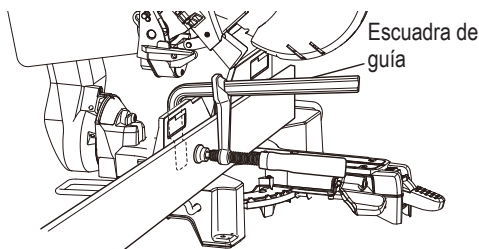


Fig. 24

3. Operación de corte
 - (1) Como se muestra en la Fig. 25, la anchura de la hoja de sierra es la de corte. Por lo tanto, deslice la pieza de trabajo hacia la derecha (vista desde la posición del operador) cuando desee la longitud (b), o hacia la izquierda cuando desee la longitud (a). Use la luz de trabajo LED, proyecte la sombra de la hoja sobre la pieza de trabajo y alinee el lado izquierdo o derecho de la hoja con la línea de tinta de la pieza de trabajo.

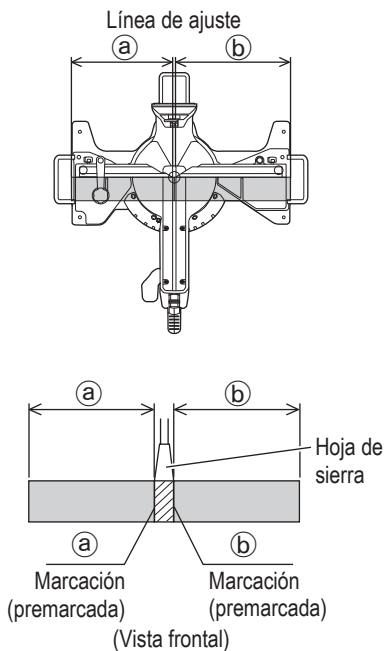


Fig. 25

- (2) Cuando la hoja de sierra haya alcanzado la velocidad máxima, empuje cuidadosamente hacia abajo la empuñadura hasta que la hoja de sierra se acerque a la pieza de trabajo.

- (3) Cuando la hoja de sierra haya entrado en contacto con la pieza de trabajo, empuje gradualmente hacia abajo la empuñadura para cortar dicha pieza.
- (4) Después de haber cortado la pieza de trabajo con la profundidad deseada, desconecte la alimentación de la herramienta eléctrica y deje que la hoja de sierra se pare completamente antes de levantar la empuñadura de la pieza de trabajo para devolverla a su posición de completamente retraída.

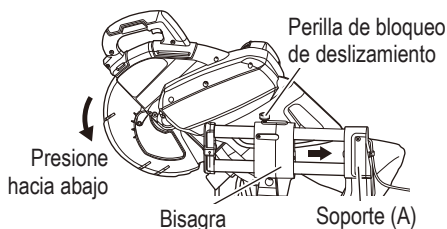


Fig. 26

⚠ ADVERTENCIA

- Cuando no vaya a utilizar la herramienta, confirme que el interruptor de disparo esté en OFF y de que el enchufe del cable de alimentación esté desconectado del tomacorriente.
- Desconecte siempre la alimentación y deje que la hoja de sierra se pare completamente antes de levantar le empuña dura de la pieza de trabajo. Si levanta la empuñadura mientras la hoja de sierra está girando, la pieza de corte puede atascarse contra la hoja de sierra haciendo que se esparzan peligrosamente virutas.
- Cada vez que finaliza una operación de corte o de corte de profundidad, desactive el interruptor de disparo, y compruebe que la hoja de sierra se encuentra detenida. Luego levante la empuñadura, y colóquela en la posición de retracción total.
- Cerciórese de retirar el material de corte de la parte superior de la mesa giratoria, y luego realice el paso siguiente.
- Una operación de corte continua podrá provocar la sobrecarga del motor. Toque el motor y, si está caliente, detenga la operación de corte y descanse durante 10 minutos aproximadamente.

⚠ PRECAUCIÓN

El aumento de la presión sobre la empuñadura no aumentará la velocidad de corte. Por el contrario, la presión excesiva puede resultar en sobrecarga del motor y/o en reducción de la eficacia de corte.

4. Corte de piezas de trabajo estrechas (Corte a presión)
Deslice la bisagra hacia abajo hasta el soporte (A), y después apriete la perilla de inmovilización de deslizamiento.
Baje la empuñadura para cortar la pieza de trabajo. Utilizando la herramienta eléctrica de esta forma podrá cortar piezas de trabajo cuadradas de hasta 4-3/16" (107 mm).

5. Corte de piezas de trabajo grandes
Dependiendo de la altura de la pieza de trabajo, puede suceder que no se pueda realizar un corte completo. En este caso, monte una tabla auxiliar con los tornillos de cabeza plana de 6 mm y las tuercas de 6 mm utilizando los orificios de 7 mm de la superficie de la escuadra de guía (dos orificios de cada lado).
Consulte la página 83, "Tabla 2: Dimensión máxima de corte" para ver el grosor de la tabla auxiliar.

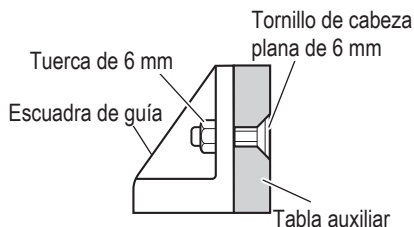


Fig. 27

6. Corte de piezas de trabajo anchas (Corte con deslizamiento)
 - (1) Piezas de trabajo de hasta 4-3/16" (107 mm) de altura y 12-1/4" (312 mm) de anchura:
Afloje la perilla (véase la Fig. 26) de inmovilización de deslizamiento, sujete la empuñadura, y deslice la hoja de sierra hacia adelante.
A continuación, presione hacia abajo la empuñadura y deslice la hoja de sierra hacia atrás para cortar la pieza de trabajo como se indica en la Fig. 28. Esto facilitará el corte de piezas de trabajo de hasta 4-3/16" (107 mm) de altura y 12-1/4" (312 mm) de anchura.

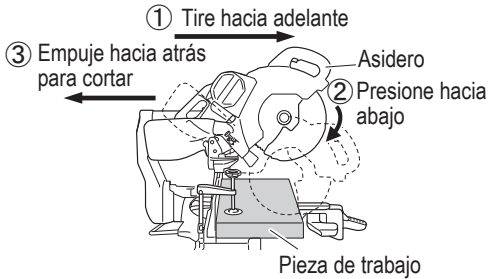


Fig. 28

- (2) Piezas de trabajo de hasta 4-11/16" (120 mm) de altura y 10-3/16" (260 mm) de anchura: Las piezas de trabajo de hasta 4-11/16" (120 mm) de altura y 10-3/16" (260 mm) de anchura podrán cortarse de la misma forma que la descrita en el párrafo 6-(1) anterior.

⚠️ ADVERTENCIA

- Para el corte deslizante, siga los procedimientos indicados en la Fig. 28 anterior. El corte deslizante hacia adelante (hacia el operador) es muy peligroso porque la hoja de sierra puede salir despedida de la pieza de trabajo. Por lo tanto, deslice siempre la empuñadura alejándola de usted mismo.
- Devuelva siempre el carro a la posición completamente posterior después de cada operación de corte en cruza fin de reducir el riesgo de lesiones.
- Nunca coloque su mano en la empuñadura de bloqueo de inglete durante la operación de corte, ya que la hoja de sierra se acerca a la empuñadura de bloqueo de inglete cuando se baja el cabezal del motor.

⚠️ PRECAUCIÓN

- Cuando corte una pieza de trabajo de 4-3/4" (120 mm) de altura, ajuste la posición del límite inferior de el cabezal del motor de forma que la separación entre el borde inferior de el cabezal del motor y la pieza de trabajo sea de 5/64" a 1/8" (2 a 3 mm) en la posición límite inferior.
- Si presiona la empuñadura con excesiva fuerza vertical o lateral, la hoja de sierra puede vibrar durante la operación de corte y causar marcas indeseadas en la pieza de trabajo reduciendo, de esta forma, la calidad del corte. Por consiguiente, presione suave y cuidadosamente la empuñadura.

- En el corte deslizante, presione suavemente la empuñadura hacia atrás (separándose del operador) con una operación única y uniforme. Si parase el movimiento de la empuñadura durante el corte, se producirían marcas de corte indeseadas en la pieza de trabajo.

7. Procedimientos de corte de ingletes

⚠️ ADVERTENCIA

Cuando cambie el ángulo oblicuo, agarre el cabezal del motor. Si el cabezal del motor cambia a un ángulo oblicuo repentinamente, podría resultar en lesiones físicas o daños en el cuerpo principal

- (1) Afloje la empuñadura de bloqueo de bisel y bisele la hoja de sierra a la izquierda o a la derecha. Para cambiar el ángulo del bisel hacia la derecha, saque el pasador de fijación (A) hacia el frontal e incline el cabezal del motor hacia la derecha. Cuando el cabezal del motor está recto en vertical, el pasador de fijación (A) se retiene firmemente en su lugar, por lo que deberá inclinar el cabezal del motor ligeramente hacia la izquierda al sacar el pasador de fijación (A) antes de inclinar el cabezal del motor hacia la derecha.
- (2) Ajuste el ángulo de bisel en la configuración deseada mientras observa la escala de ángulos de bisel y el indicador, luego asegure la empuñadura de bloqueo de bisel.

⚠️ PRECAUCIÓN

Siempre verifique que la empuñadura de bloqueo de bisel está fijada y el cabezal del motor está sujeto. Si intentase cortar en ángulo sin inmovilizar el cabezal del motor, ésta podría desplazarse inesperadamente y causar lesiones.

- (3) Siga los procedimientos indicados en los párrafos 4, 5 y 6 anteriores. Con respecto a las dimensiones máximas para biselado, consulte la página 83, "Tabla 2: Dimensión máxima de corte".

NOTA

La empuñadura de bloqueo de bisel fijación adopta un sistema de embrague. Cuando la empuñadura de bloqueo de bisel entra en contacto con el cuerpo principal, tire de la empuñadura de bloqueo de bisel en la dirección de la flecha, tal y como se observa en la Fig. 29, y cambie su dirección.

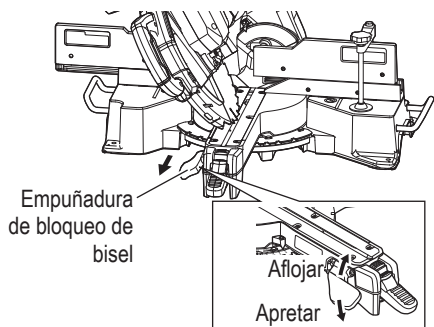


Fig. 29

⚠ ADVERTENCIA

- Al fijar la pieza de trabajo en su sitio a la izquierda de la hoja y realizar el corte en ángulo a bisel izquierdo o derecho, el material de corte quedará en la parte superior de la hoja de la sierra. Desconecte siempre la alimentación y deje que la hoja de sierra se pare completamente antes de levantar la empuñadura de la pieza de trabajo.

Si levanta la empuñadura mientras la hoja de sierra está girando, la pieza de corte puede atascarse contra la hoja de sierra haciendo que se esparzan peligrosamente virutas.

- Cuando pare en la mitad la operación de corte en bisel, comience a cortar después de haber devuelto el cabezal del motor hasta la posición inicial.

Si comenzase en el medio, sin haber tirado hacia atrás, el revestimiento de protección inferior podría quedar enganchada en la ranura de corte de la pieza de trabajo y entrar en contacto con la pieza de trabajo.

- Cuando corte en ángulo hacia la derecha, afloje el perno de aletas de 6 mm, luego deslice la guía auxiliar (A) hacia afuera y quítela.
- Cuando corte en ángulo hacia la izquierda, afloje el perno de aletas de 6 mm, luego deslice la guía auxiliar (B) hacia afuera.

⚠ PRECAUCIÓN

Para cortar una pieza de trabajo de 2-15/16" (75 mm) de altura y con un bisel de 45° hacia la izquierda, u otra de 1-15/16" (50 mm) de altura y con un bisel de 45° hacia la derecha ajuste la posición del límite inferior del cabezal del motor de forma que quede a 5/64 a 1/8" (2 a 3 mm) en la posición del límite inferior (consulte "3. Posición de límite inferior de la hoja de sierra cuando se corta una pieza de trabajo grande" de la página 88).

8. Procedimiento de corte de ingletes

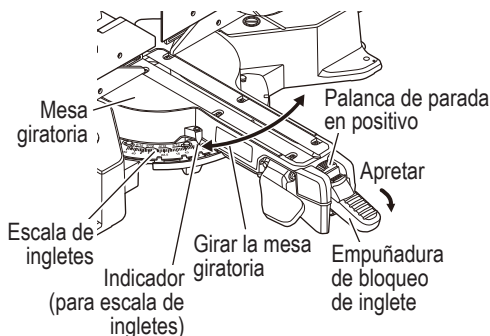


Fig. 30

- (1) Desbloquee la mesa de inglete levantando la empuñadura de bloqueo de inglete.
- (2) Mientras presiona levemente hacia abajo la palanca de parada en positivo para que se acople la palanca de retención, agarre la empuñadura de bloqueo de inglete y rote la mesa a izquierda o derecha hasta el ángulo deseado.
- (3) Una vez logrado el ángulo de inglete deseado, presione hacia abajo la empuñadura de bloqueo de inglete para fijar la mesa en su sitio.
- (4) Si el ángulo de inglete deseado es una de las nueve paradas en positivo indicadas debajo, consulte la sección de la palanca de retención de inglete en la página 92.
- (5) Use la luz LED y coloque la pieza de trabajo sobre la mesa para la alineación previa de su corte.
- (6) La escala de ingletes (Fig. 31) indica tanto el ángulo de corte de la escala de ángulos como el gradiente en la escala de ángulos.

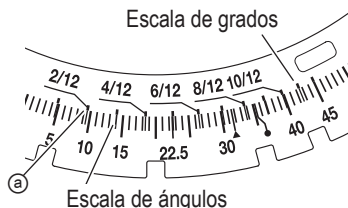


Fig. 31

- (7) El gradiente, que es la proporción de la altura hasta la base de la sección triangular a extraerse, puede utilizarse para el ajuste de la escala de ingletes en vez del ángulo de corte, si así se desea (consulte la Fig. 32).

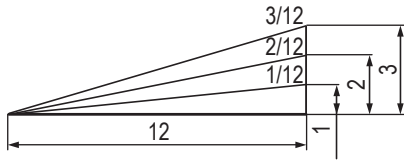


Fig. 32

- (8) Por lo tanto, para cortar una pieza de trabajo con un grado de 2/12, ajuste el indicador (a) la posición a como se indica en la Fig. 31.

NOTA

- En las posiciones hacia la derecha y la izquierda existen paradas a 0°, centro, 15°, 22.5°, 31.6°, y 45°. Compruebe que la escala de ingletes y la punta del indicador estén adecuadamente alineadas.
- La operación de la sierra con la escala y el indicador de inglete no alineados resultará en una precisión de corte deficiente.

⚠ PRECAUCIÓN

Siempre verifique que la empuñadura de bloqueo de inglete está fijada y la mesa giratoria está sujeta.
Si intenta realizar un corte en ángulo sin fijar la mesa giratoria, ésta puede moverse de forma inesperada y provocar lesiones.

9. Procedimientos de corte compuesto
El corte compuesto podrá realizarse siguiendo las instrucciones de 7 y 8 anteriores. Para conocer las dimensiones máximas de corte compuesto, consulte la página 83, "Tabla 2: Dimensión máxima de corte".

⚠ PRECAUCIÓN

Asegure siempre la pieza de trabajo con la mano derecha o izquierda y córtela deslizando la parte redonda de la sierra hacia atrás con la otra mano.

Es muy peligroso rotar la mesa giratoria hacia la izquierda o la derecha durante el corte compuesto, ya que la hoja de sierra puede entrar en contacto con la mano que esté asegurando la pieza de trabajo.

En caso de corte compuesto (ángulo + bisel) mediante bisel izquierdo, extienda el tope secundario (B) por completo antes de la operación de corte.

En caso de corte compuesto (ángulo + bisel) mediante bisel derecho, deslice la escuadra de guía secundaria (A) hacia afuera y retírela.

10. Procedimientos de corte con molduras en vértice
La Fig. 33 muestra dos tipos de moldura en vértice comunes con ángulos de (θ) 38° y 45°.

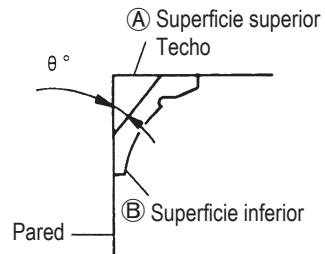


Fig. 33

Con respecto a las molduras en vértice típicas, consulte la Fig. 34.

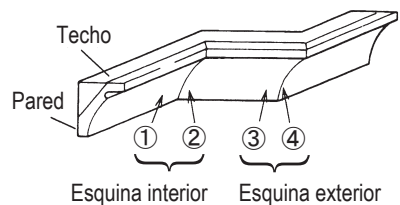


Fig. 34

En la tabla siguiente se muestran los ajustes de ángulo de ingletes y de corte en bisel para los dos tipos de moldura en el vértice.

NOTA

Por motivos de comodidad, existen posiciones con parada para los ajustes de corte de ingletes (izquierda y derecha de 31.6°).

Para el ajuste de corte de ingletes

Si la mesa giratoria se ha ajustado en cualquiera de los ángulos descritos, mueva la mesa giratoria ajustando la empuñadura de bloqueo de inglete ligeramente hacia la derecha y la izquierda para estabilizar la posición, y para alinear correctamente la escala de ángulo de inglete y la punta del indicador antes de que comience la operación.

Para el ajuste del corte en bisel

Rote la empuñadura de bloqueo de bisel de la sección de bisel hacia la derecha y compruebe que la posición sea estable y que tanto la escala de ángulos de bisel como la punta del indicador estén bien alineadas. Después, apriete la empuñadura de bloqueo de bisel.

Tabla 3

Tipo de moldura en vértice	Tipo de 45°	Tipo de 38°
Para procesar la moldura en vértices en las posiciones ① y ④ de la Fig. 34.		
Ajuste del ángulo de ingletes	Derecho 35.3° (marca ↓)	Derecho 31.6° (marca ↓)
	Izquierdo 30° (marca ↓)	Izquierdo 33.9° (marca ↓)
Para procesar la moldura en vértices en las posiciones ② y ③ de la Fig. 34.		
Ajuste del ángulo de ingletes	Izquierdo 35.3° (marca ↓)	Izquierdo 31.6° (marca ↓)
	Izquierdo 30° (marca ↓)	Izquierdo 33.9° (marca ↓)

- (1) Ajuste para cortar molduras en vértice a las posiciones ① y ④ de la Fig. 34 (consulte la Fig. 35, incline el cabezal hacia la izquierda):
- Gire la mesa giratoria hacia la derecha y ajuste el ángulo de ingletes de la forma siguiente:

- Para molduras en vértice de tipo de 45°: 35.3°
(marca ↓)
- Para molduras en vértice de tipo de 38°: 31.6°
(marca ↓)

- Incline el cabezal del motor hacia la izquierda y ajuste el ángulo de corte en bisel de la forma siguiente:
 - Para molduras en vértice de tipo de 45°: 30°
(marca ↓)
 - Para molduras en vértice de tipo de 38°: 33.9°
(marca ↓)
- Coloque la moldura en el vértice de forma que la superficie superior (A de la Fig. 33) entre en contacto con la escuadra de guía como se indica en la Fig. 37.
- (2) Ajuste para cortar molduras en vértice a las posiciones ② y ③ de la Fig. 34 (consulte la Fig. 36, incline el cabezal hacia la izquierda):
- Gire la mesa giratoria hacia la izquierda y ajuste el ángulo de ingletes de la forma siguiente:
 - Para molduras en vértice de tipo de 45°: 35.3°
(marca ↓)
 - Para molduras en vértice de tipo de 38°: 31.6°
(marca ↓)
- Incline el cabezal hacia la izquierda y ajuste el ángulo de corte en bisel de la forma siguiente:
 - Para molduras en vértice de tipo de 45°: 30°
(marca ↓)
 - Para molduras en vértice de tipo de 38°: 33.9°
(marca ↓)
- Coloque la moldura en el vértice de forma que la superficie inferior (B de la Fig. 33) entre en contacto con la escuadra de guía como se indica en la Fig. 38.

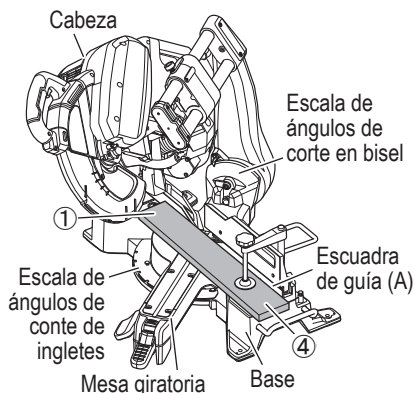


Fig. 35

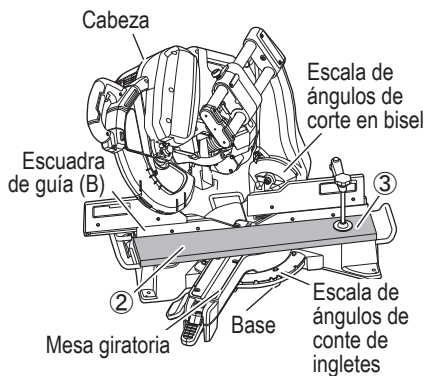


Fig. 36

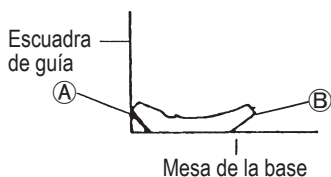


Fig. 37

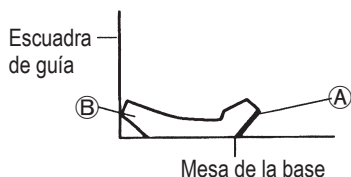


Fig. 38

- (3) Ajuste para cortar molduras en vértice a las posiciones ① y ④ de la Fig. 34 (consulte la Fig. 39, incline el cabezal hacia la derecha):
- Gire la mesa giratoria hacia la derecha y ajuste el ángulo de ingletes de la forma siguiente:
 - Para molduras en vértice de tipo de 45°: 35.3° (marca ↓)
 - Para molduras en vértice de tipo de 38°: 31.6° (marca ↓)
 - Incline el cabezal hacia la derecha y ajuste el ángulo de corte en bisel de la forma siguiente:
 - Para molduras en vértice de tipo de 45°: 30° (marca ↓)
 - Para molduras en vértice de tipo de 38°: 33.9° (marca ↓)
 - Coloque la moldura en el vértice de forma que la superficie superior (B) de la Fig. 33) entre en contacto con la escuadra de guía como se indica en la Fig. 41.
 - (4) Ajuste para cortar molduras en vértice en las posiciones ② y ③ de la Fig. 34 (consulte la Fig. 40, incline el cabezal hacia la derecha):
 - Gire la mesa giratoria hacia la izquierda y ajuste el ángulo de ingletes de la forma siguiente:
 - Para molduras en vértice de tipo de 45°: 35.3° (marca ↓)
 - Para molduras en vértice de tipo de 38°: 31.6° (marca ↓)
 - Incline el cabezal hacia la derecha y ajuste el ángulo de corte en bisel de la forma siguiente:
 - Para molduras en vértice de tipo de 45°: 30° (marca ↓)
 - Para molduras en vértice de tipo de 38°: 33.9° (marca ↓)
 - Coloque la moldura en el vértice de forma que la superficie inferior (A) de la Fig. 33) entre en contacto con la escuadra de guía como se indica en la Fig. 42.

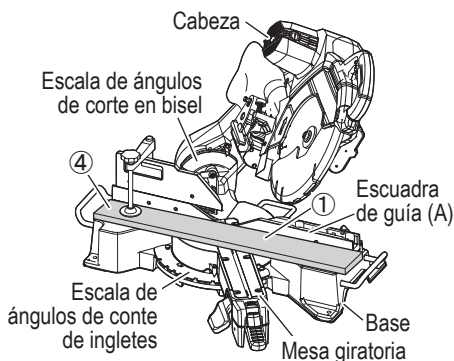


Fig. 39

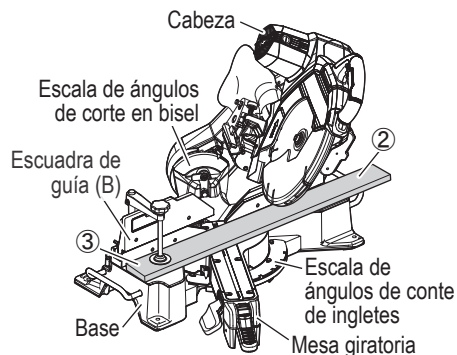
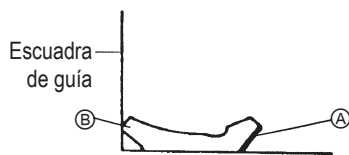


Fig. 40



Mesa de la base

Fig. 41



Mesa de la base

Fig. 42

Método de corte de moldura en vértice sin inclinar la hoja de sierra

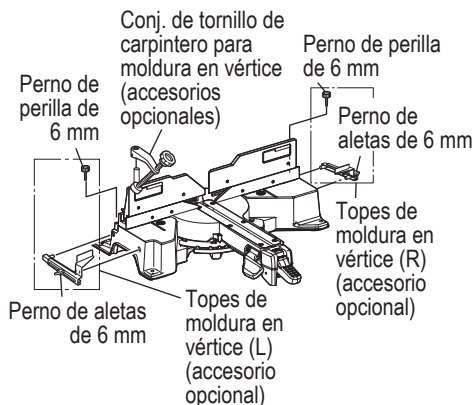


Fig. 43-a

- (1) Las topes de moldura en vértice (L) y (R) (accesorios opcionales) permiten facilitar los cortes de la moldura en vértice, sin inclinar la hoja de sierra. Instálelos en ambos lados de la base, tal y como se muestra en la Fig. 43-a. Tras insertarlos, apriete los pernos de perilla de 6 mm para asegurar los topes de la moldura en vértice.

[Accesorios opcionales utilizados]

- Conjunto de tornillo de carpintero para moldura en vértice
- Topes de moldura en vértice (L)
- Topes de moldura en vértice (R)

- (2) El conjunto de tornillo de carpintero para moldura en vértice (accesorio opcional) se puede colocar sobre la base. Es posible combinar con la inclinación de la moldura en vértice y presionar el conjunto de tornillo de carpintero hacia abajo.

Luego gire la perilla superior, según se requiera para que la moldura en vértice quede fijada en su lugar. Para levantar o bajar el conjunto de tornillo de carpintero, afloje primero el tornillo de fijación con cabeza hexagonal.

Después de ajustar la altura, gire la perilla superior, según sea necesario, para fijar bien la moldura de corona en su lugar. (Consulte la Fig. 43-b)

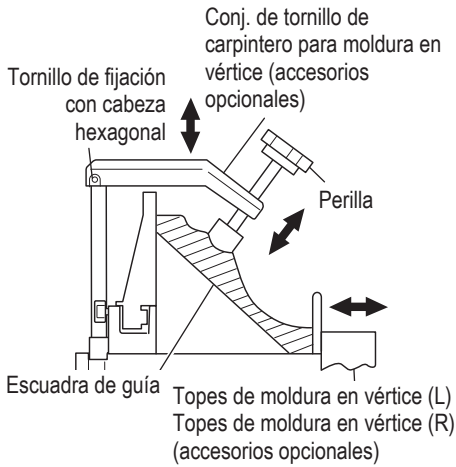


Fig. 43-b

⚠ ADVERTENCIA

Siempre asegure firmemente la moldura en vértice a la escuadra de guía; de lo contrario, la misma podría zafarse de la mesa y producir lesiones.

No efectúe el corte en bisel. El cuerpo principal o la hoja de sierra podría entrar en contacto con la escuadra de guía secundaria, y producir lesiones.

⚠ PRECAUCIÓN

Siempre compruebe que el cabezal del motor (véase Fig. 3) no haga contacto con el conj. de tornillo de carpintero para moldura en vértice cuando lo baje para realizar el corte. Si existe el riesgo de que esto suceda, afloje el Tornillo de fijación con cabeza hexagonal y mueva el conj. de tornillo de carpintero para moldura en vértice a una posición en que no haga contacto con la hoja de sierra.

Posicione la moldura en vértice con su BORDE EN CONTACTO CON LA PARED contra la escuadra de guía y su BORDE DE CONTACTO CON EL TECHO contra los topes de moldura en vértice, tal como se observa en la Fig. 43-b.

Ajuste los topes de moldura en vértice de acuerdo con el tamaño de la moldura en vértice.

Apriete el perno de aletas de 6 mm para asegurar los topes de la moldura en vértice.

Con respecto a los ángulos de inglete, refiérase a la siguiente tabla.

	Posición en la Fig. 34	Angulo de inglete	Pieza terminada
Para la esquina interior	①	Derecho 45°	Proteja el lado derecho de la hoja
	②	Izquierdo 45°	Proteja el lado izquierdo de la hoja
Para la esquina exterior	③		Proteja el lado derecho de la hoja
	④	Derecho 45°	Proteja el lado izquierdo de la hoja

11. Procedimientos de corte de ranuras

Corte de ranuras con una hoja de sierra

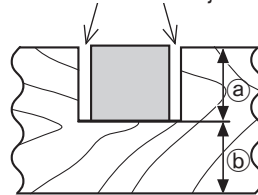


Fig. 44

Perno de ajuste de profundidad de 6 mm

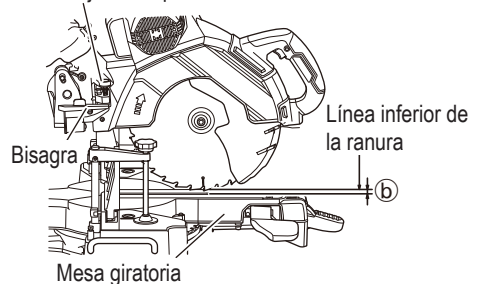


Fig. 45

Las ranuras podrán cortarse en la pieza de trabajo como se indica en la Fig. 44 regulando el perno de ajuste de profundidad de 6 mm.

Procedimiento de ajuste de la profundidad de corte:

- (1) Baje el cabezal del motor y rote el perno de ajuste en profundidad de 6 mm con la mano, tal y como se muestra en la Fig. 45. (Donde la cabeza del perno de ajuste en profundidad de 6 mm entra en contacto con la bisagra.)
- (2) Ajuste la profundidad de corte deseada regulando la distancia entre la hoja de sierra y la superficie de la mesa giratoria (consulte **b**) de la Fig. 44).

NOTA

Cuando corte una sola ranura en cualquier extremo de la pieza de trabajo, quite la parte innecesaria con un formón.

12. Corte fácil de materiales deformados, tales como vidrieras corredizas de aluminio

Los materiales tales como vidrieras corredizas de aluminio pueden deformarse fácilmente si se aprietan demasiado con el conjunto de tornillo de carpintero. Esto causará el corte ineficaz y posiblemente la sobrecarga del motor. Al cortar dichos materiales, utilice una placa de madera para proteger la pieza de trabajo, tal y como se muestra en la Fig. 46-a. Coloque la placa de madera junto a la sección de corte.

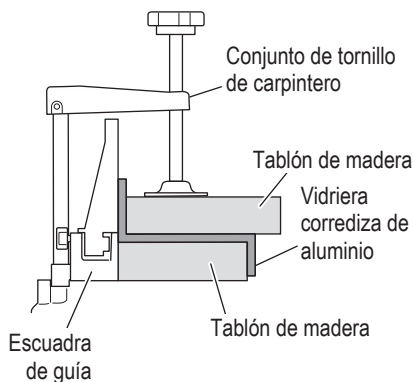


Fig. 46-a

Cuando corte materiales de aluminio, recubra la hoja de sierra con aceite para corte (no consumible) a fin de lograr un corte uniforme y un acabado fino. Asimismo, en el caso de una pieza de trabajo en forma de U, utilice un tablón de madera, tal como se observa en la Fig. 46-b para asegurar estabilidad en la dirección lateral, y asegúrela cerca de la sección de corte de la pieza de trabajo. Luego realice el apriete utilizando tanto el conjunto de tornillo de carpintero y abrazadera disponible en las tiendas del ramo.

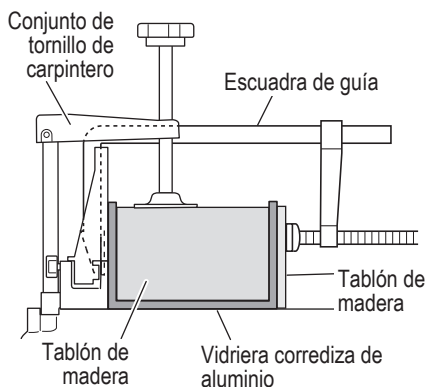


Fig. 46-b

13. Conexión del extractor de polvo (se vende por separado) (Fig. 47)

No respire el polvo perjudicial que se genera en la operación de corte.

El polvo puede comprometer su salud y la de las personas que estén cerca.

El uso de un extractor de polvo puede reducir los riesgos relacionados con el polvo.

Al conectar el extractor de polvo con un adaptador, una junta y un adaptador de recogida de polvo, se puede recoger la mayor parte del polvo.

Conecte el extractor de polvo con el adaptador.

- (1) Conecte por orden la manguera (38 mm x 3 m de largo) y el adaptador*2, la junta (C)*1 y el adaptador de recogida de polvo*1 al conducto de la herramienta eléctrica.

La conexión se realiza al presionar en la dirección de la flecha. (Fig. 47)

El adaptador de recogida de polvo*1 se fija al conducto con una banda de manguera*1.

*1 Accesorios opcionales

*2 Accesorio estándar del extractor de polvo

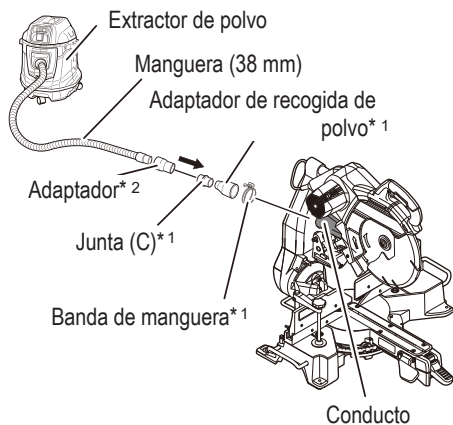


Fig. 47

ACCESORIOS OPCIONALES...de venta por separado

- Junta (C) (N.º de código 337526)
- Adaptador de recogida de polvo (con abrazadera para manguera) (N.º de código 376291)

MONTAJE Y DESMONTAJE DE LA HOJA DE SIERRA

⚠ ADVERTENCIA

- Para evitar accidentes o lesiones, suelte siempre el interruptor de disparo y desconecte el enchufe del cable de alimentación del tomacorriente antes de extraer o instalar la hoja de sierra. Si se realizara la tarea de corte sin haber apretado suficientemente el perno de 10 mm, éste se podría aflojar, la hoja se podría salir y el revestimiento de protección inferior se podría dañar, provocando lesiones. Compruebe asimismo que los pernos de 10 mm se encuentren correctamente apretados antes de desenchufar la clavija de alimentación de la toma de corriente.
- Si se instalan o retiran los pernos de 10 mm con una herramienta que no sea la llave de barra hexagonal de 8 mm (accesorio estándar), se producirá un apriete excesivo o inadecuado, lo cual podría provocar lesiones.

1. Montaje de la hoja de sierra
 - (1) Presione el bloqueador del husillo y afloje el perno de 10 mm con la llave de barra hexagonal de 8 mm (accesorio estándar). Como el perno de 10 mm está roscado hacia la izquierda, aflojelo girándolo hacia la derecha como se muestra en la Fig. 48-a, Fig. 48-b.

NOTA

Si el bloqueador del husillo no puede presionarse fácilmente para bloquearlo, presione el perno de 10 mm con la llave de barra hexagonal de 8 mm (accesorio estándar) para rotarlo. El cubo de la hoja de sierra se bloqueará al presionar hacia adentro el bloqueador del mismo.

- (2) Quite el perno y la arandela (B)

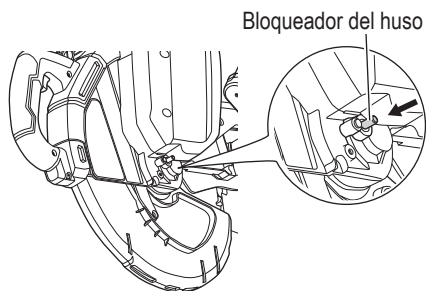


Fig. 48-a

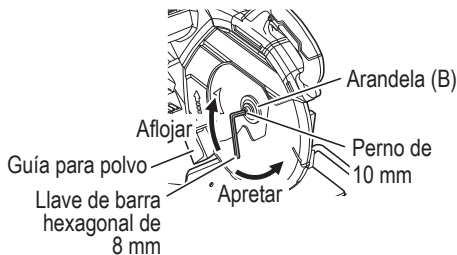


Fig. 48-b

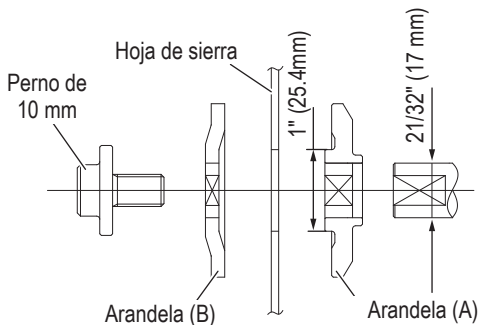


Fig. 48-c

- (3) Levante el revestimiento de protección inferior y monte la hoja de sierra.

⚠️ ADVERTENCIA

Cuando monte la hoja de sierra, confirme que la marca del indicador de rotación de la misma y del sentido de giro de la caja de engranajes (consulte la Fig. 2) hayan quedado correctamente adaptadas.

- (4) Limpie cuidadosamente la arandela (B) y el perno de 10 mm, e instáloselos en el huso de la hoja de sierra.

NOTA

Al reemplazar la hoja de sierra, asegúrese de apagar las chispas en el limpiador (A) antes de instalar la hoja de sierra nueva. Instale las arandelas (A) y (B) en la dirección correcta.

(Fig. 48-c)

- (5) Presione el bloqueador del husillo y apriete el perno de 10 mm girándolo hacia la izquierda con la llave de barra hexagonal de 8 mm (accesorio estándar), como se indica en la Fig. 48-b.

⚠️ ADVERTENCIA

Apriete el perno de 10 mm de forma que no se afloje durante la operación. Confirme que el perno de 10 mm haya quedado adecuadamente apretado antes de poner en funcionamiento la herramienta.

⚠️ PRECAUCIÓN

- Detrás de la caja de engranajes está instalada una guía para el polvo. Cuando quite o instale la hoja de sierra, no entre en contacto con la guía para polvo. Si entrase en contacto, podría romper las puntas de la hoja de sierra. (Fig. 48-b)
- Después de haber instalado o extraído la hoja de sierra, confirme que el bloqueador del huso haya vuelto a la posición de retracción.

2. Desmontaje de la hoja de sierra
Desmonte la hoja de sierra invirtiendo el proceso de montaje descrito en el párrafo 1 anterior. La hoja de sierra podrá extraerse fácilmente después de levantar el revestimiento de protección inferior.

⚠️ PRECAUCIÓN

No intente instalar nunca hojas de sierra de diámetro superior a 12" (305 mm). Siempre instale hojas de sierra que tengan entre 11-9/16" (293 mm) y 12" (305 mm).

NOTA

Luego de utilizar la llave de barra hexagonal de 8 mm, almacénela en la caja de herramientas para evitar perderla.

TRANSPORTE DEL CUERPO PRINCIPAL

⚠️ ADVERTENCIA

Para evitar accidentes o lesiones, confirme que el interruptor de disparo esté en OFF y de que el enchufe del cable de alimentación esté desconectado del tomacorriente antes de transportar el cuerpo principal.

El conjunto de tornillo de carpintero podría caerse durante el transporte. Retire el conjunto o deslice un trozo de madera entre el tornillo de carpintero para fijarlo firmemente. (Fig. 50)

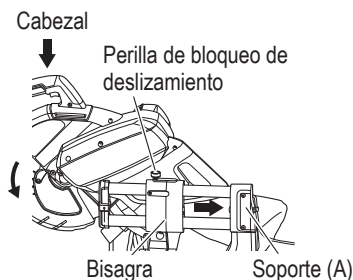


Fig. 49

Baje el cabezal e inserte el pasador de bloqueo (consulte la página 85, "6. Liberación del pasador de bloqueo"). También atornille la perilla de fijación de la corredera de manera que la bisagra quede en una posición tal que pueda golpear el soporte (A) y asegurar el cabezal. (Fig. 49)

Levante la empuñadura de bloqueo de inglete, gire la mesa giratoria lo más a la derecha posible y asegúrela presionando la empuñadura de bloqueo de inglete hacia la posición fija. Esto hará que el cuerpo principal sea aún más compacto. (Fig. 50)

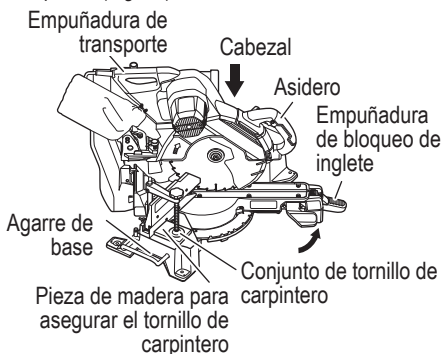


Fig. 50

Al transportar el cuerpo principal, llévelo en sus brazos, sujetando la empuñadura ubicada en la base con ambas manos.

Cuando sea transportado por dos personas, cada uno debe usar ambas manos para sujetar la empuñadura de transporte, la empuñadura y el agarre de la base.

MANTENIMIENTO E INSPECCIÓN

⚠ ADVERTENCIA

Para evitar accidentes o lesiones, confirme que el interruptor de disparo esté en OFF y de que el enchufe del cable de alimentación esté desconectado del tomacorriente antes de realizar cualquier operación de mantenimiento o de inspección de esta herramienta.

Si detecta alguna avería en la máquina, incluidas las cubiertas o la hoja de la sierra, comuníquelo inmediatamente a una persona cualificada.

1. Inspección de la hoja de sierra
Reemplace la hoja de sierra inmediatamente después de haber notado cualquier signo de deterioro o daño.
Una hoja de sierra dañada puede causar lesiones, y otra desgastada puede causar la operación inefectiva o la posible sobrecarga del motor.

⚠ PRECAUCIÓN

No utilice nunca una hoja de sierra mellada. Cuando la hoja de sierra esté mellada, su resistencia a la presión de la mano aplicada por la empuñadura de la herramienta tiende a aumentar, haciendo que la herramienta eléctrica funcione de forma insegura.

2. Inspección de las escobillas (Figs. 51 y 52)
Las escobillas del motor son piezas fungibles. Si las escobillas se desgastan excesivamente, es posible que el motor tenga problemas. Por lo tanto, inspeccione periódicamente las escobillas y reemplácelas cuando se hayan desgastado hasta la línea límite mostrada en la Fig. 51.
Además, mantenga las escobillas limpias de forma que se deslicen suavemente dentro de los portaescobillas.
Las escobillas podrán extraerse fácilmente después de haber quitado las tapas de los portaescobillas (consulte la Fig. 52) con un destornillador de punta plana.

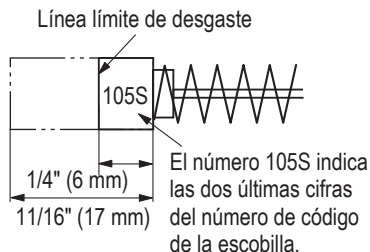


Fig. 51



Fig. 52

NOTA

Cuando cambie las escobillas de carbón, utilice solamente las escobillas metabo HPT conteniendo "38" los dos últimos dígitos de su n° de código (vea la Fig. 51). Si usa otras escobillas de carbón, el freno eléctrico no funcionará.

3. Cómo tratar el motor (consulte la Fig. 2)
El devanado del motor es el "corazón" mismo de esta herramienta. Preste suma atención para asegurarse de que el devanado no se dañe y/o se humedezca con aceite o agua.

NOTA

La acumulación de polvo u otras impurezas en el interior del motor puede provocar fallos de funcionamiento.
Después de usar el motor alrededor de unas 50 horas, efectúe el funcionamiento sin carga, y sople aire seco desde el orificio provisto en la parte trasera del motor. Esta acción es sumamente eficaz para descargar el polvo y similar.

4. Inspección de los tornillos
Inspeccione regularmente cada componente de la herramienta eléctrica para ver si están flojos. Reapriete los tornillos y cualquier pieza floja.

⚠ ADVERTENCIA

Para evitar lesiones, no utilice nunca la herramienta eléctrica si tiene alguna pieza floja.

5. Inspección del funcionamiento del revestimiento de protección inferior
 Antes de utilizar la herramienta, pruebe el revestimiento de protección inferior (consulte la Fig. 8) para asegurarse de que esté en buenas condiciones, y de que se mueva uniformemente. No utilice nunca la herramienta a menos que el revestimiento de protección inferior funcione de forma adecuada y esté en buenas condiciones mecánicas.

NOTA

Si el revestimiento de protección inferior no se mueve uniformemente, solicite al distribuidor donde compró la herramienta que lo repare.

6. Almacenamiento
 Después de haber utilizado la herramienta eléctrica, compruebe si:
 - (1) El interruptor de disparo está en la posición OFF,
 - (2) El enchufe del cable de alimentación está desconectado del tomacorriente de CA,

Cuando no vaya a utilizar la herramienta, guárdela en un lugar seco fuera del alcance de niños.

7. Lubricación
 Lubrique las superficies deslizables siguientes una vez al mes a fin de mantener la herramienta eléctrica en buenas condiciones de operación durante mucho tiempo (consulte la Fig. 2 y la Fig. 3). Se recomienda la utilización de aceite para máquinas.

Puntos de suministro de aceite:

- Parte giratoria de la bisagra
- Parte giratoria del conjunto del tornillo de carpintero
- Parte rotativa del soporte (A)

8. Limpieza

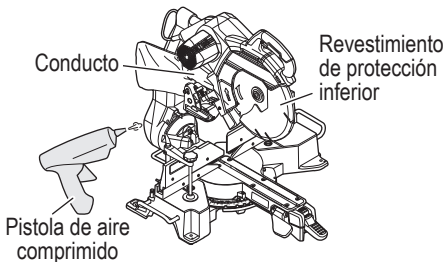


Fig. 53

Limpie la máquina, el conducto y la protección inferior con aire seco de una pistola de aire u otra herramienta. Limpie periódicamente las virutas y demás materiales de la superficie de la herramienta eléctrica, especialmente del interior del revestimiento de protección inferior, con un paño humedecido en una solución jabonosa. Para evitar el mal funcionamiento del motor, protéjalo contra el aceite y el agua.

Si no se puede ver la luz LED debido a virutas adheridas en el visor de la parte de emisión de luz LED, limpie la ventana con un paño seco o un paño suave humedecido con agua jabonosa, etc.

⚠ PRECAUCIÓN

En el manejo y el mantenimiento de las herramientas eléctricas, se deberán observar las normas y reglamentos vigentes en cada país.

MODIFICACIONES:

metabo HPT Power Tools introduce constantemente mejoras y modificaciones para incorporar los últimos avances tecnológicos. Por consiguiente, algunas partes pueden ser modificadas sin previo aviso.

SERVICIO Y REPARACIONES

Todas las herramientas eléctricas necesitarán con el tiempo mantenimiento o reemplazo de partes debido al desgaste que provoca el uso normal. Para asegurarse de que solamente se utilicen piezas de reemplazo autorizadas, todos los servicios de mantenimiento y reparación deberán realizarse SOLAMENTE EN UN CENTRO DE REPARACIONES AUTORIZADO POR metabo HPT.

NOTA

Las especificaciones están sujetas a cambio sin previo aviso sin ninguna obligación por parte de metabo HPT.

ACCESORIOS

⚠ ADVERTENCIA

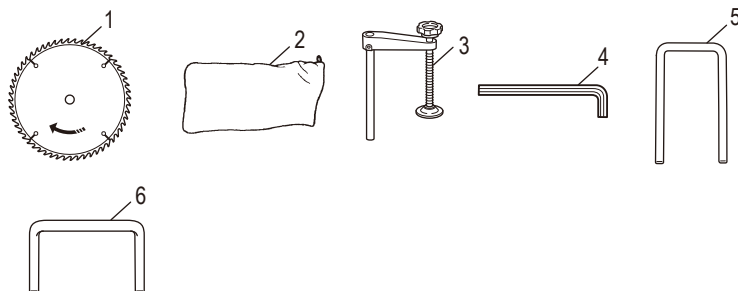
SIEMPRE utilice únicamente repuestos y accesorios autorizados por metabo HPT. NO utilice nunca repuestos o accesorios no previstos para usar con esta herramienta. Si tiene dudas en cuanto a la seguridad de usar determinado repuesto o accesorio junto con su herramienta, póngase en contacto con metabo HPT.

La utilización de otros accesorios puede resultar peligrosa y causar lesiones o daños mecánicos.

NOTA

Las especificaciones están sujetas a cambio sin ninguna obligación por parte de metabo HPT.

ACCESORIOS ESTÁNDAR



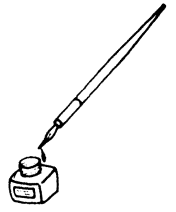
1. Hoja de sierra TCT de 305 mm (12") (Para madera) (n.º de dientes 32, n.º de código 323522).....	1
2. Bolsa para polvo (n.º de código 322955M).....	1
3. Conjunto de tornillo de carpintero (n.º de código 339624).....	1
4. Llave de barra hexagonal de 8 mm (n.º de código 955857).....	1
5. Soporte (n.º de código 376730).....	1
6. Soporte lateral (n.º de código 380332).....	2

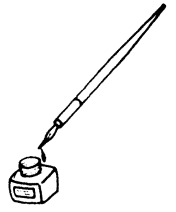
ACCESORIOS OPCIONALES.....de venta por separado

- Tope y soporte de extensión (para ambos lados) (n.º de código 324369)
- Soporte de extensión (para ambos lados) (n.º de código 324464)
- Conjunto de tornillo de carpintero para moldura en vértice (n.º de código 339660)
- Tope (L) de moldura en vértice (n.º de código 339730)
- Tope (R) de moldura en vértice (n.º de código 339731)

NOTA

Las especificaciones están sujetas a cambio sin ninguna obligación por parte de metabo HPT.





WARNING:

Some dust created by power sanding, sawing, grinding, drilling, and other construction activities contains chemicals known to the State of California to cause cancer, birth defects or other reproductive harm. Some examples of these chemicals are:

- Lead from lead-based paints,
- Crystalline silica from bricks and cement and other masonry products, and
- Arsenic and chromium from chemically-treated lumber.

Your risk from these exposures varies, depending on how often you do this type of work. To reduce your exposure to these chemicals: work in a well ventilated area, and work with approved safety equipment, such as those dust masks that are specially designed to filter out microscopic particles.

AVERTISSEMENT:

La poussière résultant d'un ponçage, d'un sciage, d'un meulage, d'un perçage ou de toute autre activité de construction renferme des produits chimiques qui sont connus par l'Etat de Californie pour causer des cancers, des défauts de naissance et autres anomalies de reproduction. Nous énumérons ci-dessus certains de ces produits chimiques:

- Plomb des peintures à base de plomb,
- Silice cristalline des briques et du ciment et autres matériaux de maçonnerie, et
- Arsenic et chrome du bois d'oeuvre traité chimiquement.

Le risque d'exposition à ces substances varie en fonction de la fréquence d'exécution de ce genre de travail. Pour réduire l'exposition à ces produits chimiques, travailler dans un lieu bien ventilé, et porter un équipement de protection agréé, par exemple un masque anti-poussière spécialement conçu pour filter les particules microscopiques.

ADVERTENCIA:

Algunos polvos creados por el lijado mecánico, el aserrado, el esmerilado, el taladrado y otras actividades de construcción contienen sustancias químicas conocidas por el Estado de California como agentes cancerígenos, defectos congénitos y otros daños reproductores. Algunos ejemplos de estas sustancias químicas son:

- El plomo de las pinturas a base de plomo,
- El sílice cristalino de los ladrillos y cemento y otros productos de mampostería, y
- El arsénico y el cromo de la madera tratada químicamente.

El riesgo resultante de la exposición varía según la frecuencia con que se realiza este tipo de trabajo. Para reducir la exposición a estas sustancias químicas: trabaje en un lugar bien ventilado y realice el trabajo utilizando el equipamiento apropiado, tal como las máscaras para el polvo especialmente diseñados para eliminar las partículas minúsculas.

Issued by

Koki Holdings Co., Ltd.

Shinagawa Intercity Tower A, 15-1, Konan 2-chome,
Minato-ku, Tokyo 108-6018, Japan

Distributed by

Koki Holdings America Ltd.

1111 Broadway Ave,
Braselton, Georgia, 30517

Koki Holdings America Ltd. Canadian Branch

3405 American Drive, Units 9-10,
Mississauga, ON, L4V 1T6