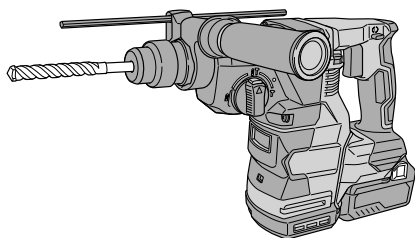
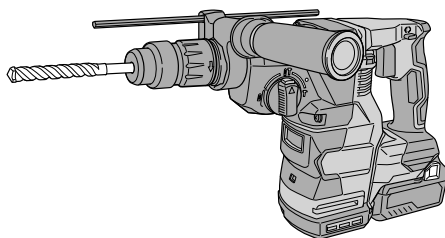


HIKOKI

DH 3628DA • DH 3628DC



DH3628DA

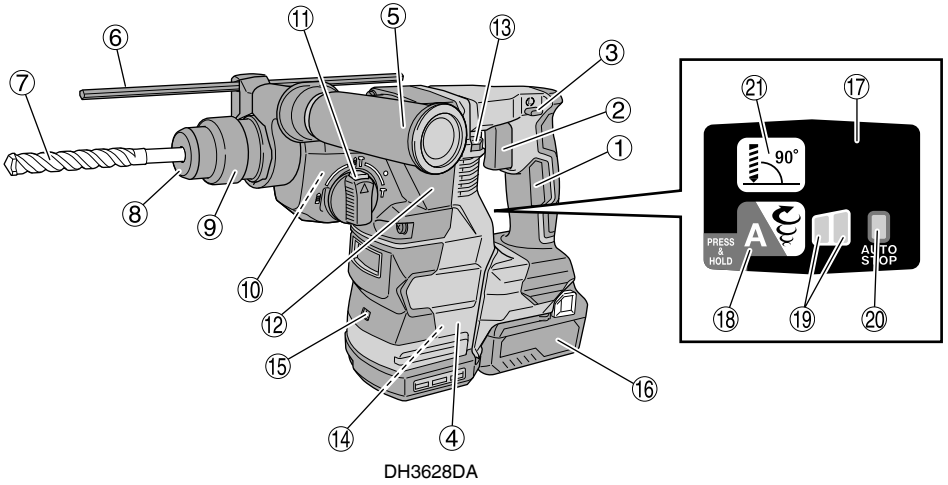


DH3628DC

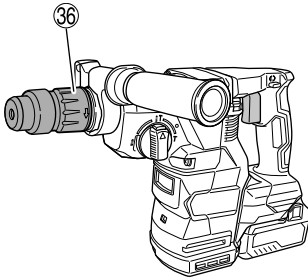


Handling instructions

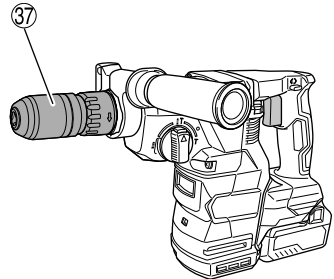
1



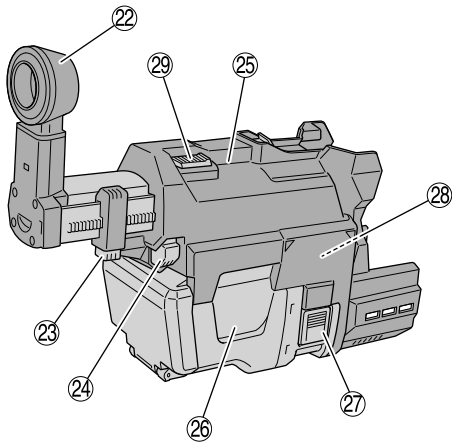
DH3628DA

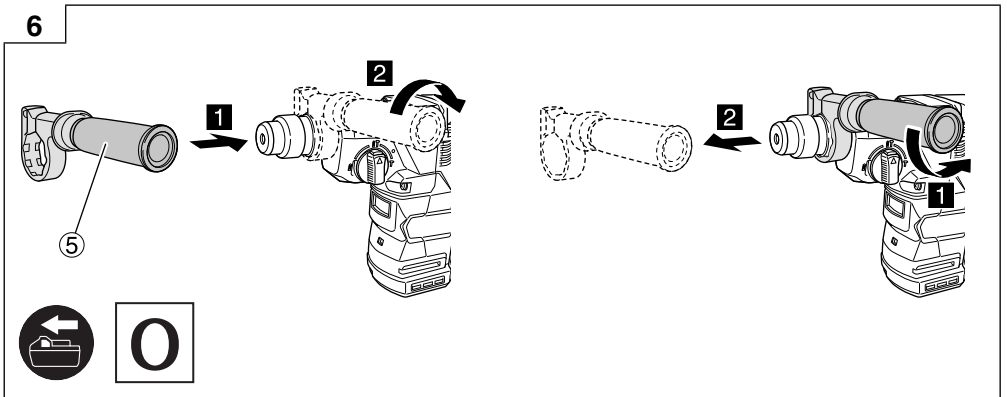
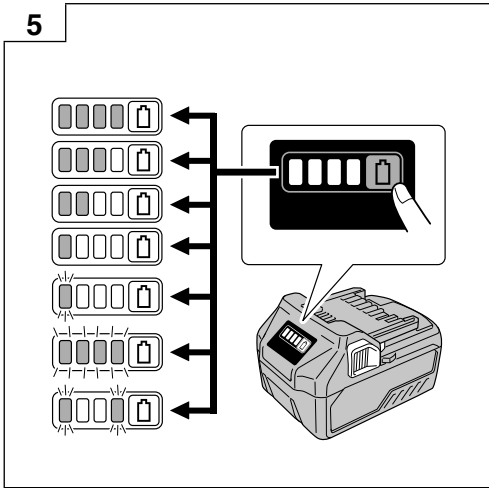
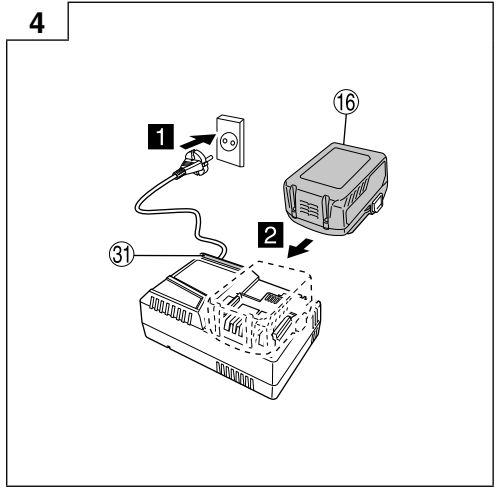
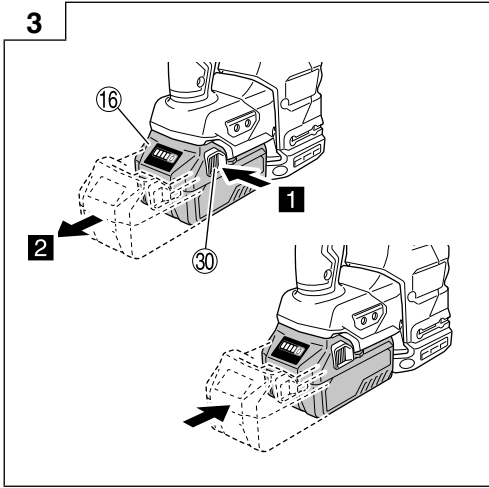


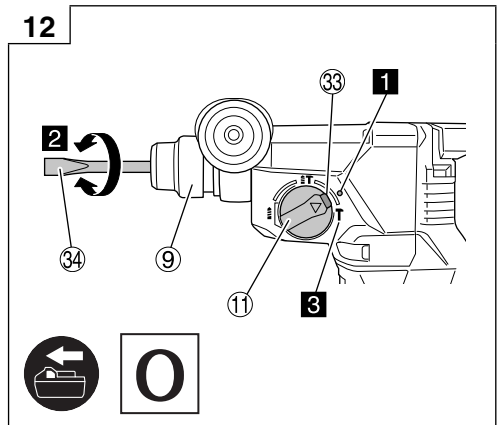
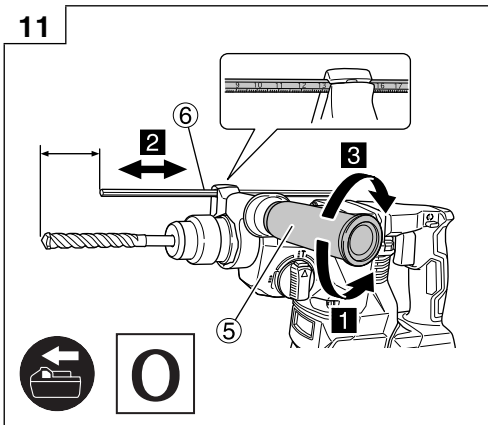
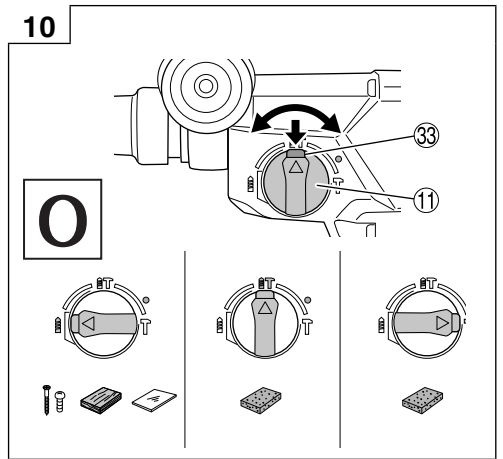
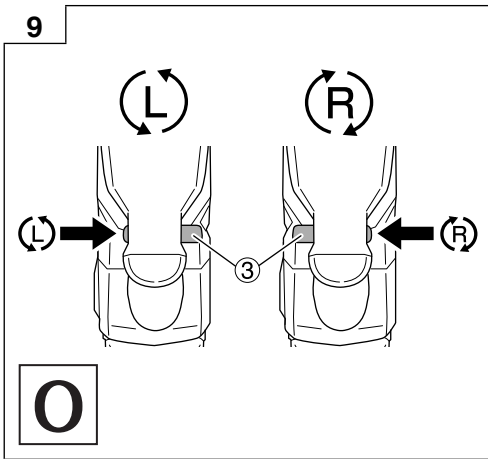
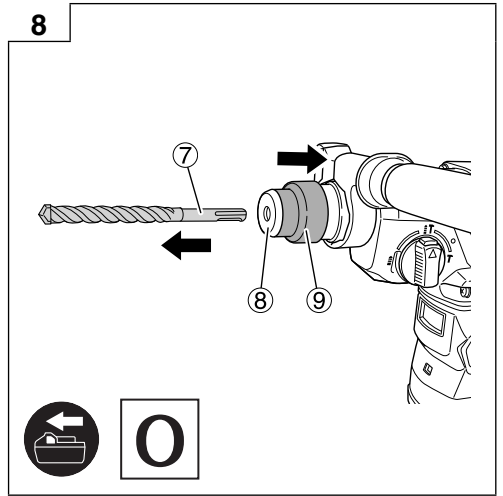
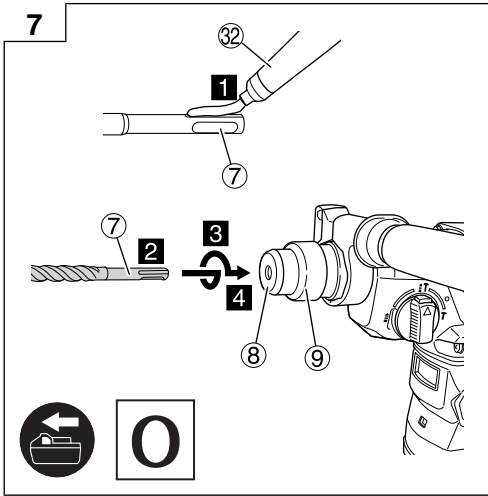
DH3628DC



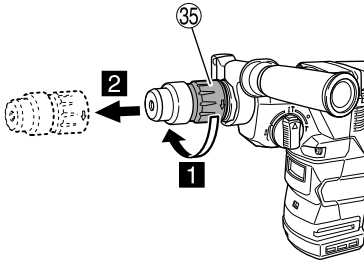
2



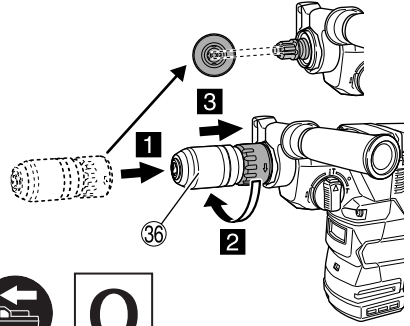




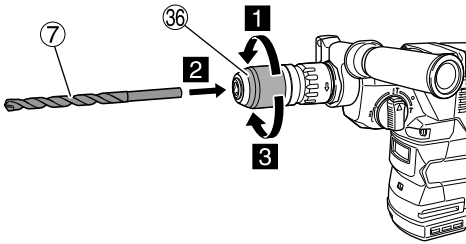
13



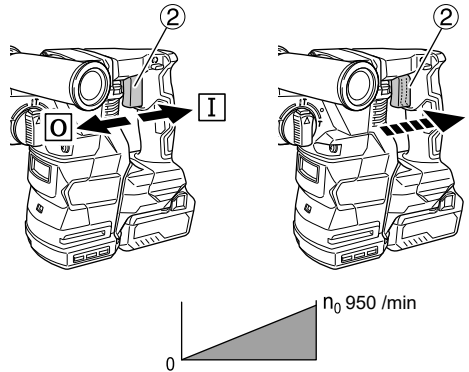
14



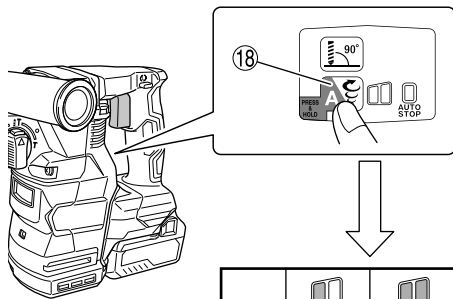
15



16

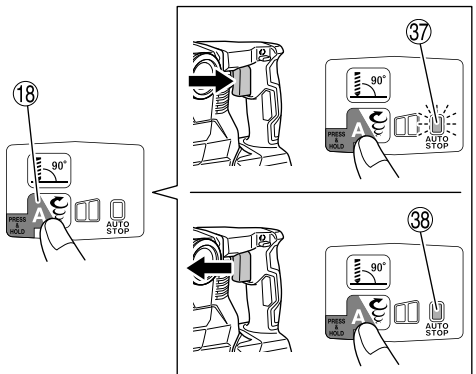


17

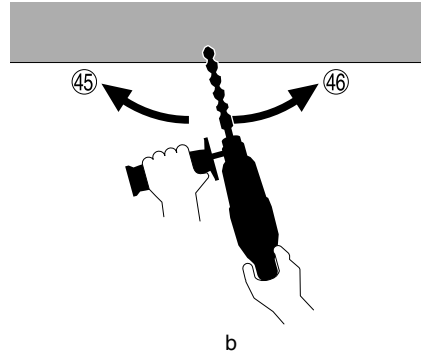
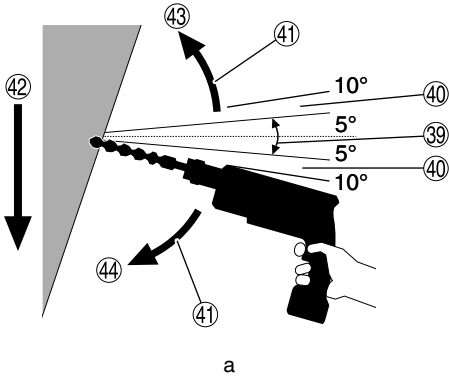


| | | |
|-------|------|------|
| | | |
| n_0 | 700 | 950 |
| Bpm | 3170 | 4300 |

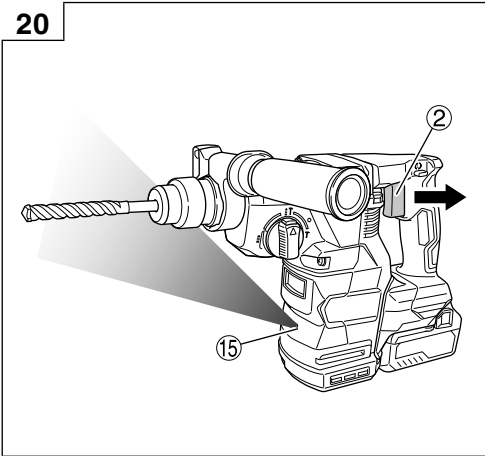
18



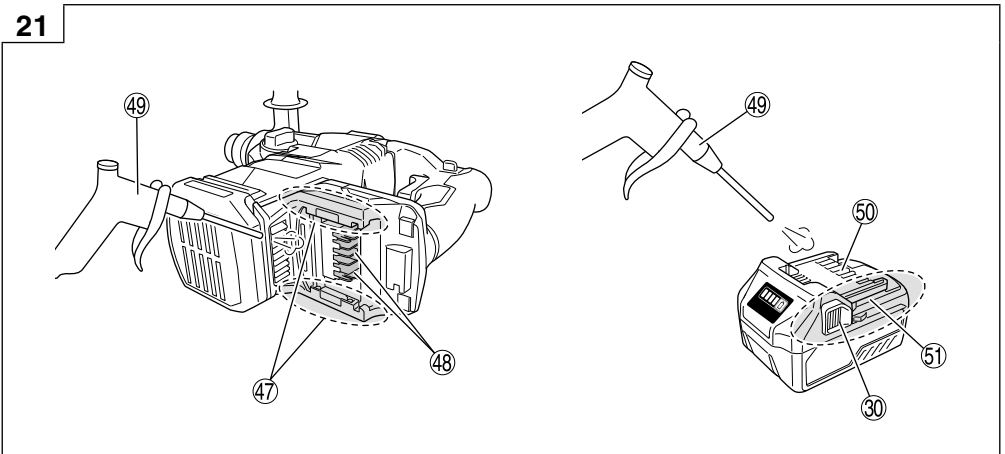
19



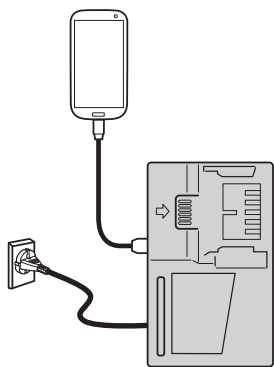
20



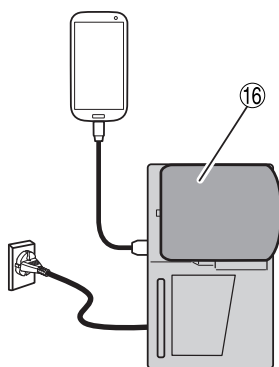
21



22

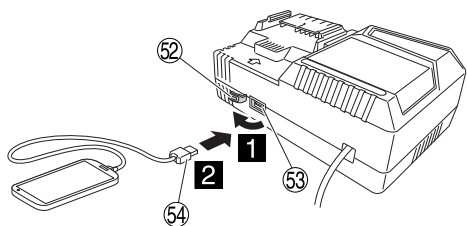


a

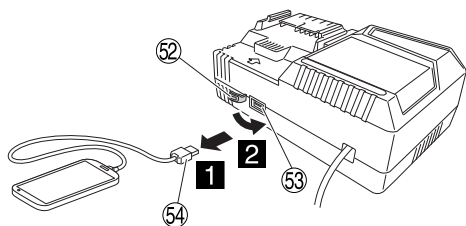


b

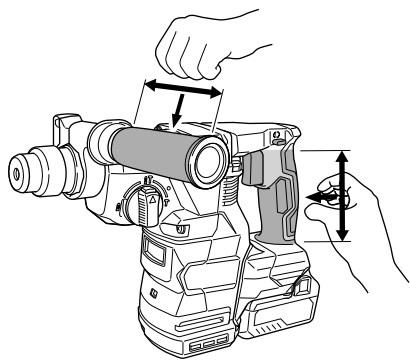
23



24



25



GENERAL POWER TOOL SAFETY WARNINGS

WARNING

Read all safety warnings, instructions, illustrations and specifications provided with this power tool.

Failure to follow all instructions listed below may result in electric shock, fire and/or serious injury.

Save all warnings and instructions for future reference.

The term "power tool" in the warnings refers to your mains-operated (corded) power tool or battery-operated (cordless) power tool.

1) Work area safety

- a) **Keep work area clean and well lit.**
Cluttered or dark areas invite accidents.
- b) **Do not operate power tools in explosive atmospheres, such as in the presence of flammable liquids, gases or dust.**
Power tools create sparks which may ignite the dust or fumes.
- c) **Keep children and bystanders away while operating a power tool.**
Distractions can cause you to lose control.

2) Electrical safety

- a) **Power tool plugs must match the outlet. Never modify the plug in any way. Do not use any adapter plugs with earthed (grounded) power tools.**
Unmodified plugs and matching outlets will reduce risk of electric shock.
- b) **Avoid body contact with earthed or grounded surfaces, such as pipes, radiators, ranges and refrigerators.**
There is an increased risk of electric shock if your body is earthed or grounded.
- c) **Do not expose power tools to rain or wet conditions.**
Water entering a power tool will increase the risk of electric shock.
- d) **Do not abuse the cord. Never use the cord for carrying, pulling or unplugging the power tool. Keep cord away from heat, oil, sharp edges or moving parts.**
Damaged or entangled cords increase the risk of electric shock.
- e) **When operating a power tool outdoors, use an extension cord suitable for outdoor use.**
Use of a cord suitable for outdoor use reduces the risk of electric shock.
- f) **If operating a power tool in a damp location is unavoidable, use a residual current device (RCD) protected supply.**
Use of an RCD reduces the risk of electric shock.

3) Personal safety

- a) **Stay alert, watch what you are doing and use common sense when operating a power tool. Do not use a power tool while you are tired or under the influence of drugs, alcohol or medication.**
A moment of inattention while operating power tools may result in serious personal injury.
- b) **Use personal protective equipment. Always wear eye protection.**
Protective equipment such as a dust mask, non-skid safety shoes, hard hat or hearing protection used for appropriate conditions will reduce personal injuries.

- c) **Prevent unintentional starting. Ensure the switch is in the off-position before connecting to power source and/or battery pack, picking up or carrying the tool.**

Carrying power tools with your finger on the switch or energising power tools that have the switch on invites accidents.

- d) **Remove any adjusting key or wrench before turning the power tool on.**

A wrench or a key left attached to a rotating part of the power tool may result in personal injury.

- e) **Do not overreach. Keep proper footing and balance at all times.**

This enables better control of the power tool in unexpected situations.

- f) **Dress properly. Do not wear loose clothing or jewellery. Keep your hair and clothing away from moving parts.**

Loose clothes, jewellery or long hair can be caught in moving parts.

- g) **If devices are provided for the connection of dust extraction and collection facilities, ensure these are connected and properly used.**

Use of dust collection can reduce dust-related hazards.

- h) **Do not let familiarity gained from frequent use of tools allow you to become complacent and ignore tool safety principles.**

A careless action can cause severe injury within a fraction of a second.

4) Power tool use and care

- a) **Do not force the power tool. Use the correct power tool for your application.**

The correct power tool will do the job better and safer at the rate for which it was designed.

- b) **Do not use the power tool if the switch does not turn it on and off.**

Any power tool that cannot be controlled with the switch is dangerous and must be repaired.

- c) **Disconnect the plug from the power source and/or remove the battery pack, if detachable, from the power tool before making any adjustments, changing accessories, or storing power tools.**

Such preventive safety measures reduce the risk of starting the power tool accidentally.

- d) **Store idle power tools out of the reach of children and do not allow persons unfamiliar with the power tool or these instructions to operate the power tool.**

Power tools are dangerous in the hands of untrained users.

- e) **Maintain power tools and accessories. Check for misalignment or binding of moving parts, breakage of parts and any other condition that may affect the power tool's operation. If damaged, have the power tool repaired before use.**

Many accidents are caused by poorly maintained power tools.

- f) **Keep cutting tools sharp and clean.**

Properly maintained cutting tools with sharp cutting edges are less likely to bind and are easier to control.

- g) **Use the power tool, accessories and tool bits etc. in accordance with these instructions, taking into account the working conditions and the work to be performed.**

Use of the power tool for operations different from those intended could result in a hazardous situation.

- h) **Keep handles and grasping surfaces dry, clean and free from oil and grease.**
Slippery handles and grasping surfaces do not allow for safe handling and control of the tool in unexpected situations.
- 5) **Battery tool use and care**
- a) **Recharge only with the charger specified by the manufacturer.**
A charger that is suitable for one type of battery pack may create a risk of fire when used with another battery pack.
- b) **Use power tools only with specifically designated battery packs.**
Use of any other battery packs may create a risk of injury and fire.
- c) **When battery pack is not in use, keep it away from other metal objects, like paper clips, coins, keys, nails, screws or other small metal objects, that can make a connection from one terminal to another.**
Shorting the battery terminals together may cause burns or a fire.
- d) **Under abusive conditions, liquid may be ejected from the battery; avoid contact. If contact accidentally occurs, flush with water. If liquid contacts eyes, additionally seek medical help.**
Liquid ejected from the battery may cause irritation or burns.
- e) **Do not use a battery pack or tool that is damaged or modified.**
Damaged or modified batteries may exhibit unpredictable behaviour resulting in fire, explosion or risk of injury.
- f) **Do not expose a battery pack or tool to fire or excessive temperature.**
Exposure to fire or temperature above 130°C may cause explosion.
- g) **Follow all charging instructions and do not charge the battery pack or tool outside the temperature range specified in the instructions.**
Charging improperly or at temperatures outside the specified range may damage the battery and increase the risk of fire.
- 6) **Service**
- a) **Have your power tool serviced by a qualified repair person using only identical replacement parts.**
This will ensure that the safety of the power tool is maintained.
- b) **Never service damaged battery packs.**
Service of battery packs should only be performed by the manufacturer or authorized service providers.
3. **Hold the power tool by insulated gripping surfaces, when performing an operation where the cutting accessory may contact hidden wiring.**
Cutting accessory contacting a "live" wire may make exposed metal parts of the power tool "live" and could give the operator an electric shock.
- Safety instructions when using long drill bits with rotary hammers**
4. **Always start drilling at low speed and with the bit tip in contact with the workpiece.**
At higher speeds, the bit is likely to bend if allowed to rotate freely without contacting the workpiece, resulting in personal injury.
5. **Apply pressure only in direct line with the bit and do not apply excessive pressure.**
Bits can bend causing breakage or loss of control, resulting in personal injury.

ADDITIONAL SAFETY WARNINGS

- Do not allow foreign matter to enter the hole for connecting the rechargeable battery.
- Never disassemble the rechargeable battery and charger.
- Never short-circuit the rechargeable battery. Shortcircuiting the battery will cause a great electric current and overheat. It results in burn or damage to the battery.
- Do not dispose of the battery in fire. If the battery is burnt, it may explode.
- When using this unit continuously, the unit may overheat, leading to damage in the motor and switch. Please leave it without using it for approximately 15 minutes.
- Do not insert object into the air ventilation slots of the charger. Inserting metal objects or inflammables into the charger air ventilation slots will result in electrical shock hazard or damaged charger.
- Bring the battery to the shop from which it was purchased as soon as the post-charging battery life becomes too short for practical use. Do not dispose of the exhausted battery.
- Before starting to break, chip or drill into a wall, floor or ceiling, thoroughly confirm that such items as electric cables or conduits are not buried inside.
- Ensure that the power switch is in the OFF position. If the battery is installed while the power switch is in the ON position, the power tool will start operating immediately, which could cause a serious accident.
- Do not touch the bit during or immediately after operation. The bit becomes very hot during operation and could cause serious burns.
- Always hold the body handle and side handle of the power tool firmly. Otherwise the counterforce produced may result in inaccurate and even dangerous operation.
- Wear a dust mask
Do not inhale the harmful dusts generated in drilling or chiseling operation. The dust can endanger the health of yourself and bystanders.
- Make sure that the battery is installed firmly. If it is at all loose it could come off and cause an accident.
- To prevent accidents, make sure to turn the switch off and pull out the battery before changing accessories, storing, carrying or when not using the tools.
- Mounting the drill bit
 - To prevent accidents, make sure to turn the switch off and pull out the battery.
 - When using tools such as bull points, drill bits, etc., make sure to use the genuine parts designated by our company.
 - Clean the shank portion of the drill bit.
 - Check the latching by pulling on the drill bit.

PRECAUTION

Keep children and infirm persons away.
When not in use, tools should be stored out of reach of children and infirm persons.

CORDLESS ROTARY HAMMER SAFETY WARNINGS

Safety instructions for all operations

- Wear ear protectors**
Exposure to noise can cause hearing loss.
- Use the auxiliary handle(s), if supplied with the tool.**
Loss of control can cause personal injury.

16. Operate the change lever only when the motor is at a full stop. Operating the change lever while the motor is running may cause the tip tool to unexpectedly rotate and result in an accident. (Fig. 10)
17. Rotation + hammering
DH3628DC: Using drill bit holder
(standard accessories)
When the drill bit touches construction iron bar, the bit will stop immediately and the rotary hammer will react to revolve. Therefore firmly tighten the side handle, hold the body handle and side handles.
18. Rotation only
DH3628DC: Using drill chuck holder
(standard accessories)
 - To drill wood or metal material using the drill chuck and chuck adapter (optional accessories).
 - Not using dust extractor system
 - Do not apply excessive force during operation. Doing so will not only damage the tip of the drill bit, but also reduce the service life of the rotary hammer.
 - A drill bit can snap off upon penetrating a drilled hole. When the drill is near penetration, lighten the pressure on the rotary hammer and continue drilling until penetration is achieved.
 - Do not attempt to drill anchor holes or holes in concrete with the machine set in the rotation only function.
 - Do not attempt to use the rotary hammer in the rotation and striking mode with the drill chuck and chuck adapter attached. This would seriously shorten the service life of every component of the machine.
19. Hammering only
DH3628DC: Using drill bit holder
(standard accessories)
 - Not using dust extractor system
20. Do not look directly into the light. Such actions could result in eye injury.
Wipe off any dirt or grime attached to the lens of the LED light with a soft cloth, being careful not to scratch the lens.
Scratches on the lens of the LED light can result in decreased brightness.
21. Make sure to securely hold the tool as shown in Fig. 25 during operation.

CAUTION ON LITHIUM-ION BATTERY

To extend the lifetime, the lithium-ion battery equips with the protection function to stop the output.

In the cases of 1 to 3 described below, when using this product, even if you are pulling the switch, the motor may stop. This is not the trouble but the result of protection function.

1. When the battery power remaining runs out, the motor stops.
In such a case, charge it up immediately.
2. If the tool is overloaded, the motor may stop. In this case, release the switch of tool and eliminate causes of overloading. After that, you can use it again.
3. If the battery is overheated under overload work, the battery power may stop.
In this case, stop using the battery and let the battery cool. After that, you can use it again.

Furthermore, please heed the following warning and caution.

WARNING

In order to prevent any battery leakage, heat generation, smoke emission, explosion and ignition beforehand, please be sure to heed the following precautions.

1. Make sure that swarf and dust do not collect on the battery.
 - During work make sure that swarf and dust do not fall on the battery.
 - Make sure that any swarf and dust falling on the power tool during work do not collect on the battery.
 - Do not store an unused battery in a location exposed to swarf and dust.
 - Before storing a battery, remove any swarf and dust that may adhere to it and do not store it together with metal parts (screws, nails, etc.).
2. Do not pierce battery with a sharp object such as a nail, strike with a hammer, step on, throw or subject the battery to severe physical shock.
3. Do not use an apparently damaged or deformed battery.
4. Do not use the battery in reverse polarity.
5. Do not connect directly to an electrical outlets or car cigarette lighter sockets.
6. Do not use the battery for a purpose other than those specified.
7. If the battery charging fails to complete even when a specified recharging time has elapsed, immediately stop further recharging.
8. Do not put or subject the battery to high temperatures or high pressure such as into a microwave oven, dryer, or high pressure container.
9. Keep away from fire immediately when leakage or foul odor are detected.
10. Do not use in a location where strong static electricity generates.
11. If there is battery leakage, foul odor, heat generated, discolored or deformed, or in any way appears abnormal during use, recharging or storage, immediately remove it from the equipment or battery charger, and stop use.
12. Do not immerse the battery or allow any fluids to flow inside. Conductive liquid ingress, such as water, can cause damage resulting in fire or explosion. Store your battery in a cool, dry place, away from combustible and flammable items. Corrosive gas atmospheres must be avoided.

CAUTION

1. If liquid leaking from the battery gets into your eyes, do not rub your eyes and wash them well with fresh clean water such as tap water and contact a doctor immediately.
If left untreated, the liquid may cause eye-problems.
2. If liquid leaks onto your skin or clothes, wash well with clean water such as tap water immediately.
There is a possibility that this can cause skin irritation.
3. If you find rust, foul odor, overheating, discolor, deformation, and/or other irregularities when using the battery for the first time, do not use and return it to your supplier or vendor.

WARNING

If a conductive foreign matter enters in the terminal of lithium ion battery, the battery may be shorted, causing fire. When storing the lithium ion battery, obey surely the rules of following contents.

- Do not place conductive debris, nail and wires such as iron wire and copper wire in the storage case.
- To prevent shorting from occurring, load the battery in the tool or insert securely the battery cover for storing until the ventilator is not seen.

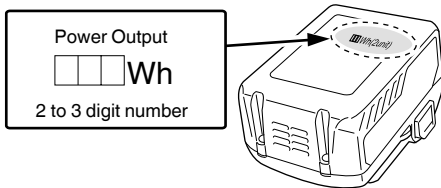
REGARDING LITHIUM-ION BATTERY TRANSPORTATION

When transporting a lithium-ion battery, please observe the following precautions.

WARNING

Notify the transporting company that a package contains a lithium-ion battery, inform the company of its power output and follow the instructions of the transportation company when arranging transport.

- Lithium-ion batteries that exceed a power output of 100 Wh are considered to be in the freight classification of Dangerous Goods and will require special application procedures.
- For transportation abroad, you must comply with international law and the rules and regulations of the destination country.



USB DEVICE CONNECTION PRECAUTIONS (UC18YSL3)

When an unexpected problem occurs, the data in a USB device connected to this product may be corrupted or lost. Always make sure to back up any data contained in the USB device prior to use with this product.

Please be aware that our company accepts absolutely no responsibility for any data stored in a USB device that is corrupted or lost, nor for any damage that may occur to a connected device.

WARNING

- Prior to use, check the connecting USB cable for any defect or damage.
Using a defective or damaged USB cable can cause smoke emission or ignition.
- When the product is not being used, cover the USB port with the rubber cover.
Buildup of dust etc. in the USB port can cause smoke emission or ignition.

NOTE

- There may be an occasional pause during USB recharging.
- When a USB device is not being charged, remove the USB device from the charger.
Failure to do so may not only reduce the battery life of a USB device, but may also result in unexpected accidents.
- It may not be possible to charge some USB devices, depending on the type of device.

















NAMES OF PARTS (Fig. 1–Fig. 25)

| | | | |
|---|----------------------------|---|-------------------------------|
| ① | Handle | ⑳ | Filter |
| ② | Switch trigger | ㉑ | Button |
| ③ | Pushing button | ㉒ | Latch |
| ④ | Housing | ㉓ | Charge indicator lamp |
| ⑤ | Side handle | ㉔ | Grease |
| ⑥ | Depth gauge | ㉕ | Pushing button (Change lever) |
| ⑦ | Drill bit | ㉖ | Cold chisel |
| ⑧ | Front cap | ㉗ | Bit holder ass'y |
| ⑨ | Grip | ㉘ | Chuck holder ass'y |
| ⑩ | Name plate | ㉙ | Auto stop lamp: Blinks |
| ⑪ | Change lever | ㉚ | Auto stop lamp: Lights |
| ⑫ | Gear cover | ㉛ | Level LED: Green lights |
| ⑬ | Level LED | ㉜ | Level LED: Green blinks |
| ⑭ | Motor | ㉝ | Level LED: Red lights |
| ⑮ | LED light | ㉞ | Gravity direction |
| ⑯ | Battery | ㉟ | UP |
| ⑰ | Display panel | ㊱ | DOWN |
| ⑱ | Changeover switch | ㊲ | LEFT |
| ⑲ | Display lamp | ㊳ | RIGHT |
| ㉑ | Auto stop lamp | ㊴ | Battery sliding grooves |
| ㉒ | Level LED switch | ㊵ | Terminal (Product) |
| ㉓ | Nozzle | ㊶ | Air gun |
| ㉔ | Depth adjustment button | ㊷ | Terminal (Battery) |
| ㉕ | Nozzle adjustment button | ㊸ | Sliding grooves |
| ㉖ | Dust housing | ㊹ | Rubber cover |
| ㉗ | Dust box | ㊺ | USB port |
| ㉘ | Dust box latch (both side) | ㊻ | USB cable |

SYMBOLS




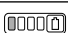


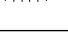
WARNING

The following show symbols used for the machine. Be sure that you understand their meaning before use.

| | |
|--|--|
|  | DH3628DA / DH3628DC: Cordless Rotary Hammer |
|  | To reduce the risk of injury, user must read instruction manual. |
| V | Rated voltage |
| n_0 | No-load speed |
| Bpm | Full-load impact rate |
| ϕ max | Drilling diameter, max. |
|  | Weight* |
|  | Concrete |
|  | Steel |
|  | Wood |
|  | Hammering only function |
|  | Rotation only function |
|  | Rotation and hammering function |
|  | Disconnect the battery |
|  | Switching ON |
|  | Switching OFF |
|  | Low mode |
|  | Normal mode |
|  | Clockwise rotation |
|  | Counterclockwise rotation |

* Depending on attached battery. The heaviest weight is measured with BSL36B18 (sold separately).

Battery

| | |
|---|--|
|  | Lights ; The battery remaining power is over 75%. |
|  | Lights ; The battery remaining power is 50%–75%. |
|  | Lights ; The battery remaining power is 25%–50%. |
|  | Lights ; The battery remaining power is less than 25%. |
|  | Blinks ; The battery remaining power is nearly empty. Recharge the battery soonest possible. |
|  | Blinks ; Output suspended due to high temperature. Remove the battery from the tool and allow it to fully cool down. |
|  | Blinks ; Output suspended due to failure or malfunction. The problem may be the battery so please contact your dealer. |

STANDARD ACCESSORIES


In addition to the main unit (1 unit), the package contains the accessories listed on page 20.

Standard accessories are subject to change without notice.


APPLICATIONS

Rotation and hammering function 

- Drilling anchor holes
- Drilling holes in concrete
- Drilling holes in tile

Rotation only function  (without dust extractor system)

- Drilling in steel or wood (with optional accessories)
- Tightening machine screws, wood screws (with optional accessories)

Hammering only function  (without dust extractor system)

- Light-duty chiselling of concrete, groove digging and edging.

SPECIFICATIONS

The specifications of this machine are listed in the Table on page 20.

*1 Specifications are for when a dust extractor system has been installed.

NOTE

- Existing batteries (BSL3660/3626X/3626/3625/3620, BSL18xx and BSL14xx series) cannot be used with this tool.
- Due to HiKOKI's continuing program of research and development, the specifications herein are subject to change without prior notice.

CHARGING

Before using the power tool, charge the battery as follows.

1. Connect the charger's power cord to the receptacle.

When connecting the plug of the charger to a receptacle, the charge indicator lamp will blink in red (At 1- second intervals).

2. Insert the battery into the charger.

Firmly insert the battery into the charger as shown in Fig. 4 (on page 3).

3. Charging

When inserting a battery in the charger, the charge indicator lamp will blink in blue.

When the battery becomes fully recharged, the charge indicator lamp will light up in green. (See Table 1)

(1) Charge indicator lamp indication

The indications of the charge indicator lamp will be as shown in Table 1, according to the condition of the charger or the rechargeable battery.

Table 1

| Indications of the charge indicator lamp | | | | |
|---|---------------------|-------------------|--|---|
| Charge indicator lamp (RED / BLUE / GREEN / PURPLE) | Before charging | Blinks (RED) | Lights for 0.5 seconds. Does not light for 0.5 seconds. (off for 0.5 seconds) | Plugged into power source |
| | While charging | Blinks (BLUE) | Lights for 0.5 seconds. Does not light for 1 second. (off for 1 second) | Battery capacity at less than 50% |
| | | Blinks (BLUE) | Lights for 1 second. Does not light for 0.5 seconds. (off for 0.5 seconds) | Battery capacity at less than 80% |
| | | Lights (BLUE) | Lights continuously | Battery capacity at more than 80% |
| | Charging complete | Lights (GREEN) | Lights continuously (Continuous buzzer sound: about 6 seconds) | |
| | Overheat standby | Blinks (RED) | Lights for 0.3 seconds. Does not light for 0.3 seconds. (off for 0.3 seconds) | Battery overheated. Unable to charge. (Charging will commence when battery cools) |
| | Charging impossible | Flickers (PURPLE) | Lights for 0.1 seconds. Does not light for 0.1 seconds. (Intermittent buzzer sound: about 2 seconds) | Malfunction in the battery or the charger |

(2) Regarding the temperatures and charging time of the rechargeable battery

The temperatures and charging time will become as shown in Table 2.

Table 2

| Charger | | UC18YSL3 | | | | | |
|---------|--|---|--|--|--|--------------------------------|-------------------|
| Battery | Type of battery | Li-ion | | | | | |
| | Temperatures at which the battery can be recharged | 0°C–50°C | | | | | |
| | Charging voltage | V | 14.4 | | 18 | | |
| | Charging time, approx. (At 20°C) | min | BSL14xx series | | BSL18xx series | | Multi volt series |
| | | | (4 cells) | (8 cells) | (5 cells) | (10 cells) | (10 cells) |
| | | BSL1415S : 15 BSL1415 : 15 BSL1415X : 15 BSL1420 : 20 BSL1425 : 25 BSL1430C : 30 | BSL1430 : 20 BSL1440 : 26 BSL1450 : 32 BSL1460 : 38 | BSL1815S : 15 BSL1815 : 15 BSL1815X : 15 BSL1820 : 20 BSL1825 : 25 BSL1830C : 30 BSL1850C : 32 | BSL1830 : 20 BSL1840 : 26 BSL1850 : 32 BSL1860 : 38 | BSL36A18 : 32 BSL36B18 : 52 | |
| USB | Charging voltage | V | 5 | | | | |
| | Charging current | A | 2 | | | | |

NOTE

The recharging time may vary according to the ambient temperature and power source voltage.

4. Disconnect the charger's power cord from the receptacle.

5. Hold the charger firmly and pull out the battery.

NOTE

Be sure to pull out the battery from the charger after use, and then keep it.

Regarding electric discharge in case of new batteries, etc.

As the internal chemical substance of new batteries and batteries that have not been used for an extended period is not activated, the electric discharge might be low when using them the first and second time. This is a temporary phenomenon, and normal time required for recharging will be restored by recharging the batteries 2–3 times.

How to make the batteries perform longer.

- (1) Recharge the batteries before they become completely exhausted.
When you feel that the power of the tool becomes weaker, stop using the tool and recharge its battery. If you continue to use the tool and exhaust the electric current, the battery may be damaged and its life will become shorter.
- (2) Avoid recharging at high temperatures.
A rechargeable battery will be hot immediately after use. If such a battery is recharged immediately after use, its internal chemical substance will deteriorate, and the battery life will be shortened. Leave the battery and recharge it after it has cooled for a while.

CAUTION

- If the battery is charged while it is heated because it has been left for a long time in a location subject to direct sunlight or because the battery has just been used, the charge indicator lamp of the charger lights for 0.3 seconds, does not light for 0.3 seconds (off for 0.3 seconds). In such a case, first let the battery cool, then start charging.
- When the charge indicator lamp flickers (at 0.2-second intervals), check for and take out any foreign objects in the charger's battery connector. If there are no foreign objects, it is probable that the battery or charger is malfunctioning. Take it to your authorized Service Center.
- Since the built-in micro computer takes about 3 seconds to confirm that the battery being charged with UC18YSL3 is taken out, wait for a minimum of 3 seconds before reinserting it to continue charging. If the battery is reinserted within 3 seconds, the battery may not be properly charged.

MOUNTING AND OPERATION

| Action | Figure | Page |
|--|--------|--------|
| Names of parts - Cordless rotary hammer | 1 | 2 |
| Names of parts - Dust extractor system for Rotary hammer*1 | 2 | 2 |
| Removing and inserting the battery | 3 | 3 |
| Charging | 4 | 3 |
| Remaining battery indicator | 5 | 3 |
| Installing / Removing the side handle | 6 | 3 |
| Inserting SDS-plus drilling tools | 7 | 4 |
| Removing SDS-plus drilling tools | 8 | 4 |
| Selecting rotation direction | 9 | 4 |
| Selecting the operating mode | 10 | 4 |
| Adjusting the drilling depth | 11 | 4 |
| Changing the chisel position | 12 | 4 |
| Removing the quick release chuck (DH3628DC)*2 | 13 | 5 |
| Inserting the quick release chuck (DH3628DC) | 14 | 5 |
| Inserting round shank applications tools (DH3628DC) | 15 | 5 |
| Switch operation | 16 | 5 |
| Setting the speed | 17 | 5 |
| Auto stop function | 18 | 5 |
| LED level function-side view | 19-a | 6 |
| LED level function-top view | 19-b | 6 |
| How to use the LED light | 20 | 6 |
| Cleaning of the battery installation compartment | 21 | 6 |
| Charging a USB device from a electrical outlet | 22-a | 7 |
| Charging a USB device and battery from a electrical outlet | 22-b | 7 |
| How to recharge USB device | 23 | 7 |
| When charging of USB device is completed | 24 | 7 |
| Installing the side handle | 25 | 7 |
| Selecting accessories*3 | — | 21, 22 |

*1 For details on how to use the Dust extractor system, refer to the system's instruction manual.

*2 If it is hard to pull out the drill chuck holder or the drill bit holder, align the change lever with the **T** mark and turn the lock grip.

*3 For detailed information regarding each tool, contact a HIKOKI authorized service center.

SELECT OPERATION MODE

Pressing the changeover switch allows the selection of rotation speed and the auto stop function.

- Rotation speed (Low mode/Normal mode) (Fig. 17)
Select either Low mode or Normal mode and operate the tool in the selected speed.
- Auto stop mode (on/off) (Fig. 18)
This product is equipped with an auto stop function to support continuous drilling work. The function features a memory mode for storing the work time for drilling from switch ON to switch OFF, and an auto stop mode that automatically stops the motor from the second drilling onward should the work exceed the stored work time while the switch is ON.

AUTO STOP FUNCTION

In selection mode, pressing the button for longer than two seconds will move to memory mode. (Fig. 18)
(At the same time the auto stop lamp will blink.)

Conduct drilling when the auto stop lamp is flashing. The time between switching ON and switching OFF is stored by the tool.

(At the same time, the auto stop lamp will light up.)

Conduct drilling when the auto stop lamp is flashing. Continuous drilling is possible as the memory storage time will be recorded by the tool until the auto stop function's auto stop mode is cancelled.

The auto stop function is cancelled by pressing the changeover switch once again for over two seconds.
(At the same time, the auto stop lamp will switch off.)

CAUTION

- Switch ON the tool once you place the tip of the tool on the work material.
- The rotation speed and the level at which the switch is pulled during drilling is not stored to memory.
- Fully carry out drilling in one go during auto stop mode.
- The motor will stop even if you switch OFF within the memory storage time.
- When you switch OFF within the memory storage time, the count will be reset. If you rework a task in which a hole has been partially drilled, the memory storage time will be fully recounted.
- The auto stop function will remain active until canceled.

REACTIVE FORCE CONTROL

This product is equipped with a Reactive Force Control (RFC) feature that reduces jerking of the tool body.

If the tool bit is suddenly overburdened, any jerking of the tool body is reduced by activation of the slip clutch or by stopping of the motor by the sensor built into the tool body.

If the motor is stopped because of overburdening detection by the controller, the display lamp will blink while the switch is pulled. In addition, the lamp will continue blinking for approximately three seconds after the switch is released. The motor will remain stopped while the lamp is blinking. (Fig. 26)

Because the RFC feature may not activate or its performance may be insufficient depending on the working environment and conditions, be careful not to suddenly overburden the tool bit while operating.

- Possible causes of sudden overburdening
 - ① Tool bit biting into material
 - ② Impact against nails, metal or other hard objects

③ Tasks involving prying or any excess application of pressure, etc.

Also, other causes include any combination of the aforementioned.

- When the reactive force control (RFC) is triggered
When the RFC is triggered and the motor stops, turn off the tool's switch and remove the cause of the overburdening before continuing operation.

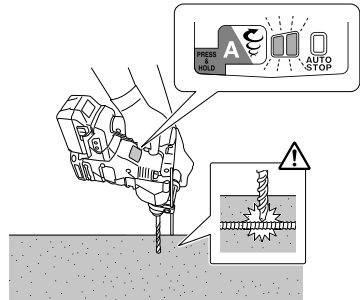


Fig. 26

LED LEVEL FUNCTION

The LED level function uses a red or green LED to indicate whether the tool is horizontal or vertical.

1. To turn on the LED level function during use, pull the switch trigger gently. Press the level LED switch when the display lamp on the panel lights up. (Fig. 1)
2. The level LED on the tool side lights up or blinks in the color shown below when the level LED switch is pressed. (Fig. 19)
Green lights: Within 5° of horizontal or vertical
Green blinks: Within 5°–10° of horizontal or vertical
Red lights: Not within 10° of horizontal or vertical

CAUTION

- This function does not work while drilling holes (while the trigger switch is pulled). Use it to check tilting of the tool before or after drilling.
- The angle is approximate.
- 3. Press the level LED switch once again to turn it off. The previous settings will be retained once it is turned back on again.

CAUTION

- This function indicates vertical and horizontal directions with respect to gravity and does not indicate whether the tool is perpendicular to surfaces that may be at an angle.
- The LED level function detects tilt for surfaces (such as walls) that are perpendicular with respect to gravity (Fig. 19-a (43) (44)), but it cannot detect horizontal tilting with respect to the surfaces (Fig. 19-b (45) (46)).

ABOUT THE PROTECTION FUNCTION

This tool has a built-in protection circuit for preventing damage to the unit in the event of an abnormality. Depending on the following, the display lamp will flash, and the unit will cease to operate. Verify the problem indicated by the flashing and take the necessary steps to correct the problem.

When pressing the changeover switch, do so when the switch is not being pulled.

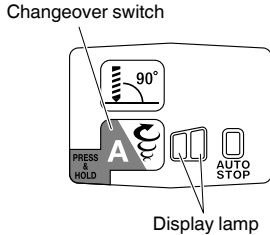


Fig. 27

Table 3

| Display lamp flashing | Cause | Solution |
|-----------------------|--|---|
| | Operation has ceased because the internal temperature has exceeded the temperature limit. (High temperature protection function) | Allow the unit to cool for 15 to 30 minutes. When the temperature goes down and the display lamp blinking stops, pull the switch trigger to recover operation. |
| | Sudden overburdening of the tool bit has activated the RFC, stopping further operation of the tool. RFC (See page 15 "REACTIVE FORCE CONTROL") | Release the switch trigger and leave it until the display lamp blinking stops. Pull the switch trigger again to recover operation. Before continuing operation, remove the cause of the overburden. |

NOTE

Despite taking steps to correct a problem, the display lamp may continue to blink. Should this be the case, the unit may require repair. If so, please contact the outlet from which this product was purchased for repairs.

LUBRICATION

This Rotary Hammer is of full air-tight construction to protect against dust.

Therefore, this Rotary Hammer can be used without lubrication for long periods.

After purchase, periodically replace grease. Ask for grease replacement at the nearest authorized Service Center.

CAUTION

A specific grease is used with this machine, therefore, the normal performance of the machine may be badly affected by use of different grease. Please be sure to let one of our service centers to undertake replacement of the grease.

MAINTENANCE AND INSPECTION

WARNING

Be sure to turned off the switch and remove the battery before maintenance and inspection.

1. Inspecting the tool

Since use of as dull tool will degrade efficiency and cause possible motor malfunction, sharpen or replace the tool as soon as abrasion is noted.

2. Inspecting the mounting screws

Regularly inspect all mounting screws and ensure that they are properly tightened. Should any of the screws be loose, retighten them immediately. Failure to do so could result in serious hazard.

3. Maintenance of the motor

The motor unit winding is the very "heart" of the power tool. Exercise due care to ensure the winding does not become damaged and/or wet with oil or water.

4. Inspection of terminals (tool and battery)

Check to make sure that swarf and dust have not collected on the terminals.

On occasion check prior, during and after operation.

CAUTION

Remove any swarf or dust which may have collected on the terminals.

Failure to do so may result in malfunction.

5. Cleaning on the outside

When the power tool is stained, wipe with a soft dry cloth or a cloth moistened with soapy water. Do not use chloric solvents, gasoline or paint thinner, for they melt plastics.

6. Cleaning the battery installation compartment and the battery

After drilling concrete, if concrete dust has accumulated on the battery installation compartment and the battery, clean off the accumulated concrete dust with an air gun or a dry cloth before using the tool. (Fig. 21)

Also, after cleaning, ensure that the battery can be installed and removed smoothly from the tool.

CAUTION

Using the tool when the battery is covered with concrete dust may lead to accidents such as the battery falling during use.

Furthermore, such use may cause a malfunction or contact failure between the battery and the terminals.

7. Storage

Store the power tool and battery in a place in which the temperature is less than 40°C and out of reach of children.

NOTE

Storing lithium-ion batteries.

Make sure the lithium-ion batteries have been fully charged before storing them.

Prolonged storage (3 months or more) of batteries with a low charge may result in performance deterioration, significantly reducing battery usage time or rendering the batteries incapable of holding a charge.

However, significantly reduced battery usage time may be recovered by repeatedly charging and using the batteries two to five times.

If the battery usage time is extremely short despite repeated charging and use, consider the batteries dead and purchase new batteries.

CAUTION

In the operation and maintenance of power tools, the safety regulations and standards prescribed in each country must be observed.

Important notice on the batteries for the HiKOKI cordless power tools

Please always use one of our designated genuine batteries. We cannot guarantee the safety and performance of our cordless power tool when used with batteries other than these designated by us, or when the battery is disassembled and modified (such as disassembly and replacement of cells or other internal parts).

NOTE

Due to HiKOKI's continuing program of research and development, the specifications herein are subject to change without prior notice.

TROUBLESHOOTING

Use the inspections in the table below if the tool does not operate normally. If this does not remedy the problem, consult your dealer or the HIKOKI Authorized Service Center.





1. Power tool

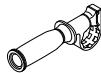
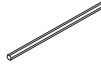
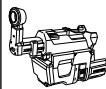
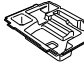


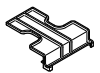
| Symptom | Possible cause | Remedy |
|--|---|---|
| Tool doesn't run | No remaining battery power | Charge the battery. |
| | Battery isn't securely attached. | Push in the battery until a click is heard. |
| | Concrete dust has accumulated on the terminals of the battery installation compartment as well as on the battery sliding grooves. | Clean off the accumulated concrete dust with an air gun or a dry cloth. |
| Tool suddenly stopped | Tool was overburdened | Get rid of the problem causing the overburden. |
| | Reactive force control was activated | |
| | The battery is overheated. | Let the battery cool down. |
| Tool bits -can't be attached -fall off | The shape of the attachment portion doesn't match | For the SDS-plus shank type, use a bit with a diameter that is within the designated range. |
| Holes can't be smoothly drilled. | The drill is worn | Replace with a new drill. |
| | The drill is rotating in reverse | Switch to forward rotation. |
| Screw head slips or comes loose. | Bit number doesn't match with the screw size | Install a suitable bit. |
| | The bit is worn | Replace with a new bit. |
| Battery cannot be installed | Attempting to install a battery other than that specified for the tool. | Please install a multi volt type battery. |


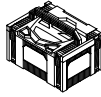
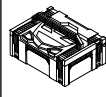
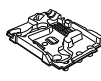
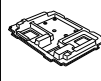
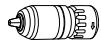
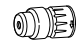
2. Charger

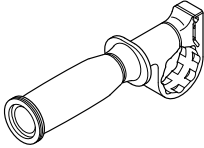
| Symptom | Possible cause | Remedy |
|--|---|---|
| The charge indicator lamp rapidly flickers purple, and battery charging doesn't begin. | The battery is not inserted all the way. | Insert the battery firmly. |
| | There is foreign matter in the battery terminal or where the battery is attached. | Remove the foreign matter. |
| The charge indicator lamp blinks red, and battery charging doesn't begin. | The battery is not inserted all the way. | Insert the battery firmly. |
| | The battery is overheated. | If left alone, the battery will automatically begin charging if its temperature decreases, but this may reduce battery life. It is recommended that the battery be cooled in a well-ventilated location away from direct sunlight before charging it. |
| Battery usage time is short even though the battery is fully charged. | The battery's life is depleted. | Replace the battery with a new one. |
| The battery takes a long time to charge. | The temperature of the battery, the charger, or the surrounding environment is extremely low. | Charge the battery indoors or in another warmer environment. |
| | The charger's vents are blocked, causing its internal components to overheat. | Avoid blocking the vents. |
| | The cooling fan is not running. | Contact a HIKOKI Authorized Service Center for repairs. |
| Charging of a USB device pauses midway. | The charger was plugged into an electrical socket while the USB device was being charged using the battery as the power source. | This is not a malfunction. The charger pauses USB charging for about 5 seconds when it is differentiating between power sources. |
| | A battery was inserted into the charger while the USB device was being charged using a power socket as the power source. | |

| Symptom | Possible cause | Remedy |
|--|--|---|
| Charging of the USB device pauses midway when the battery and the USB device are being charged at the same time. | The battery has become fully charged. | This is not a malfunction. The charger pauses USB charging for about 5 seconds while it checks whether the battery has successfully completed charging. |
| Charging of the USB device doesn't start when the battery and the USB device are being charged at the same time. | The remaining battery capacity is extremely low. | This is not a malfunction. When the battery capacity reaches a certain level, USB charging automatically begins. |

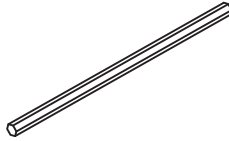
| | | | | |
|---|-------------|------------|------------|------------|
| | DH3628DA | DH3628DC | DH3628DA*1 | DH3628DC*1 |
| V | 36 V | | | |
| n ₀ | 0-950 /min | | | |
| Bpm | 0-4300 /min | | | |
| φ max  | 28 mm | | 20 mm | |
| φ max  | 13 mm | | - | |
| φ max  | 32 mm | | - | |
|  | 3.9-4.2 kg | 4.1-4.4 kg | 4.9-5.2 kg | 5.2-5.4 kg |

| | | | | | | | | |
|----------|------|---|---|---|---|---|---|--|
| | |  |  |  |  |  |  |  |
| DH3628DA | 2XCS | 1 | 1 | 1 | 1 | 2 | - | 1 |
| | 2XC | 1 | 1 | - | - | 2 | - | 1 |
| | 2WC | 1 | 1 | - | - | - | 2 | 2 |
| | NNPS | 1 | 1 | 1 | 1 | - | - | - |
| | NNP | 1 | 1 | - | - | - | - | - |
| DH3628DC | NN | 1 | 1 | - | - | - | - | - |
| | 2XCS | 1 | 1 | 1 | 1 | 2 | - | 1 |
| | 2XC | 1 | 1 | - | - | 2 | - | 1 |
| | 2WC | 1 | 1 | - | - | - | 2 | 2 |
| | NNPS | 1 | 1 | 1 | 1 | - | - | - |
| NNP | 1 | 1 | - | - | - | - | - | |
| NN | 1 | 1 | - | - | - | - | - | |

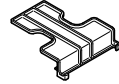
| | | | | | | | | |
|----------|------|---|---|---|---|---|---|--|
| | |  |  |  |  |  |  |  |
| DH3628DA | 2XCS | 1 | 1 | 1 | 1 | 1 | - | - |
| | 2XC | 1 | 1 | - | 1 | 1 | - | - |
| | 2WC | 1 | 1 | - | 1 | 1 | - | - |
| | NNPS | - | - | 2 | 1 | - | - | - |
| | NNP | - | - | 1 | 1 | - | - | - |
| DH3628DC | NN | - | - | - | - | - | - | - |
| | 2XCS | 1 | 1 | 1 | 1 | 1 | 1 | 1 |
| | 2XC | 1 | 1 | - | 1 | 1 | 1 | 1 |
| | 2WC | 1 | 1 | - | 1 | 1 | 1 | 1 |
| | NNPS | - | - | 2 | 1 | - | 1 | 1 |
| NNP | - | - | 1 | 1 | - | 1 | 1 | |
| NN | - | - | - | - | - | 1 | 1 | |



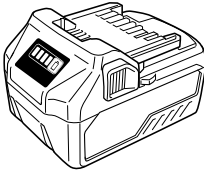
335273



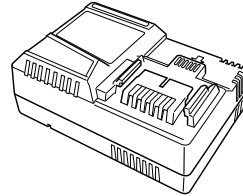
303709



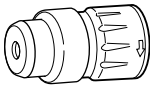
329897



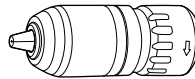
BSL36..18



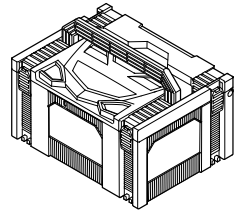
UC18YSL3 (14,4V-18V)



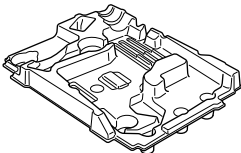
375010



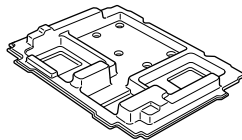
377959



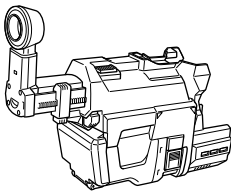
337108



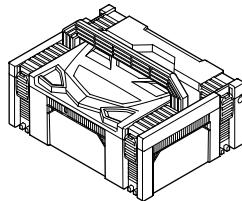
379786



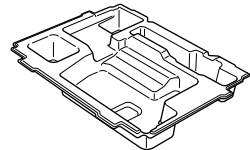
379787



379135 (DH3628DA)
379139 (DH3628DC)

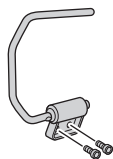
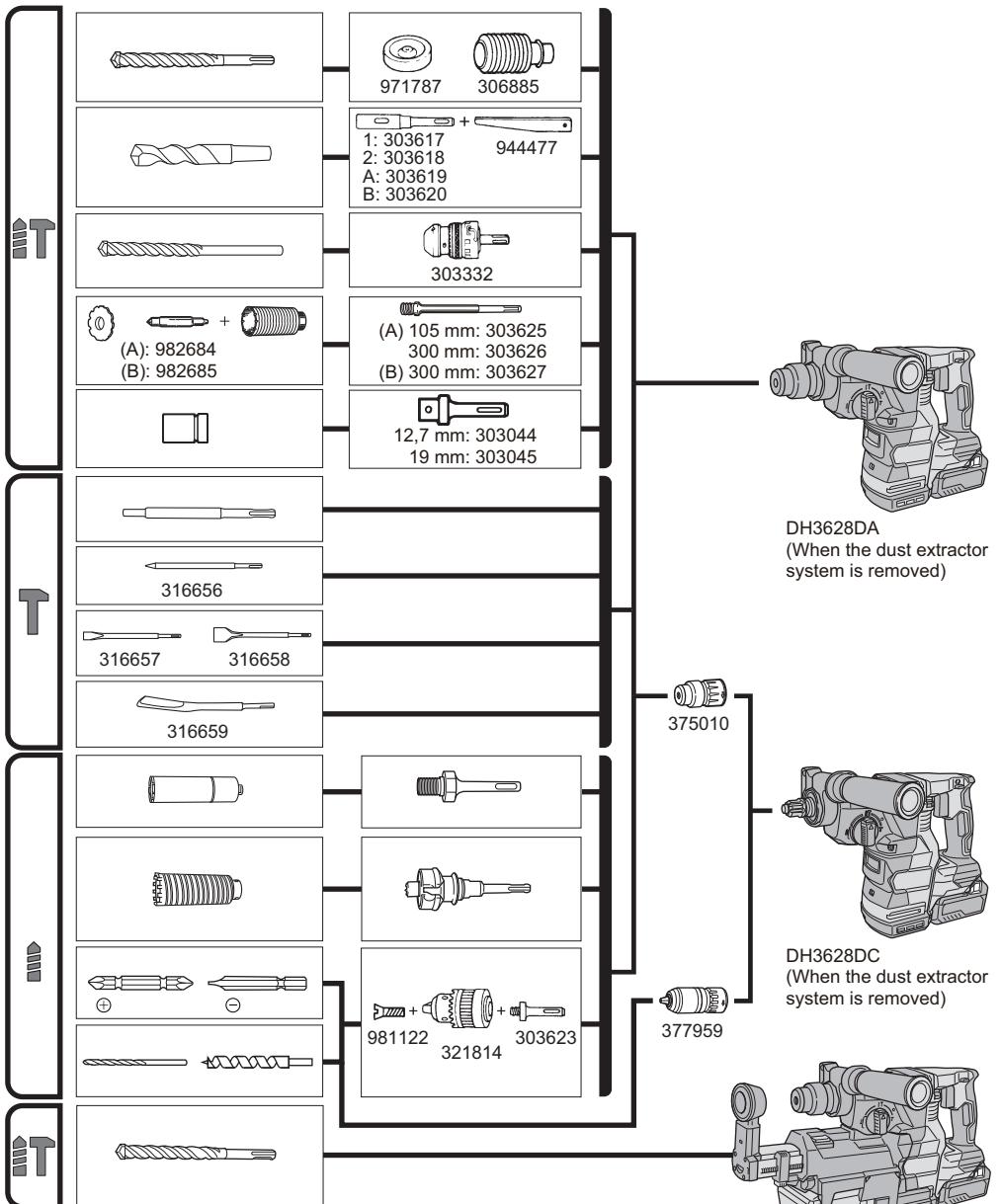


336471

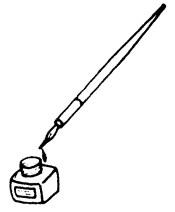


379788

379136 (DH3628DA)
379140 (DH3628DC)



379770



Koki Holdings Co., Ltd.

Shinagawa Intercity Tower A, 15-1, Konan 2-chome,
Minato-ku, Tokyo, Japan