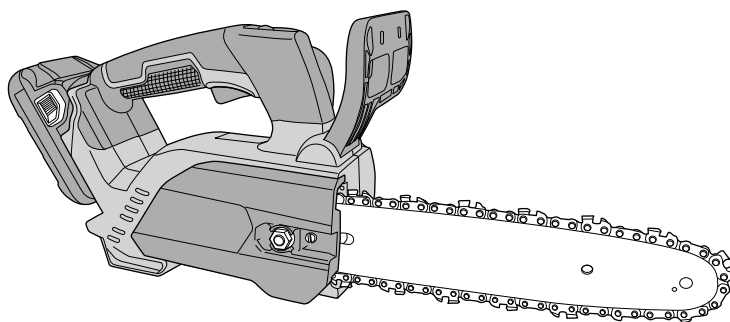
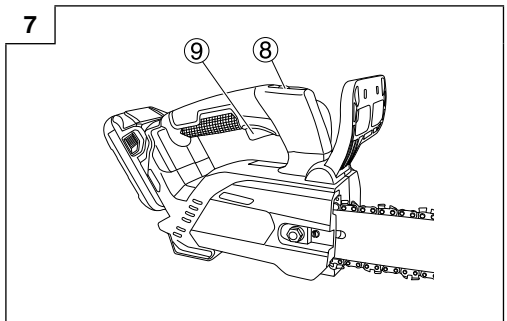
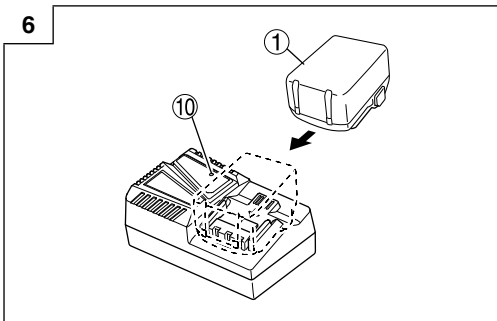
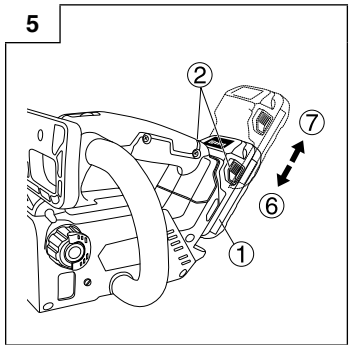
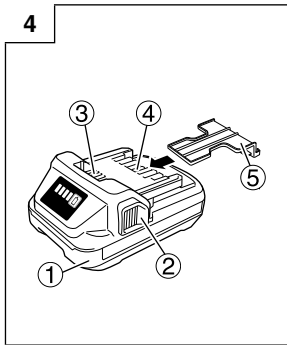
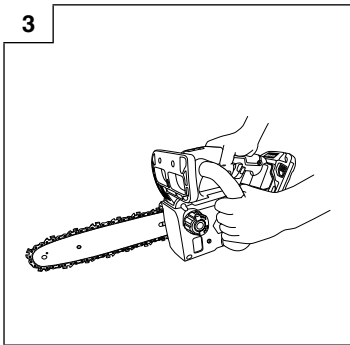
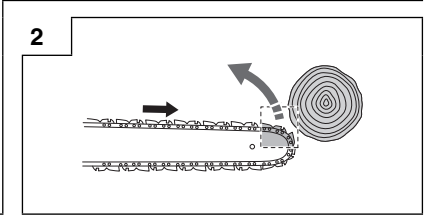
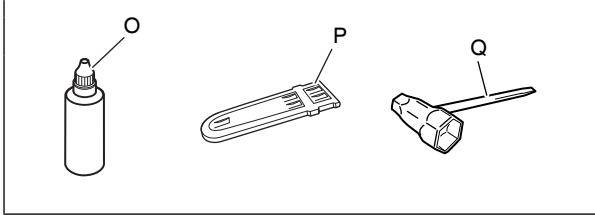
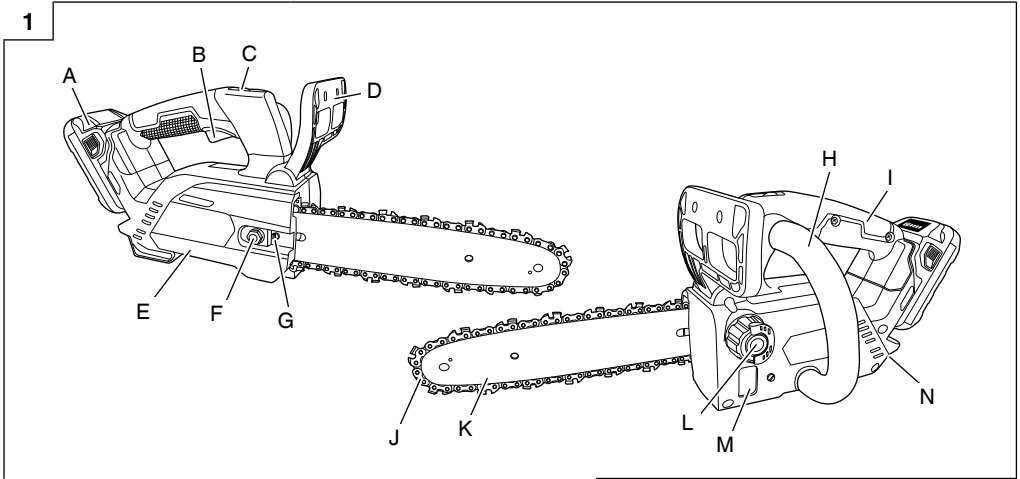


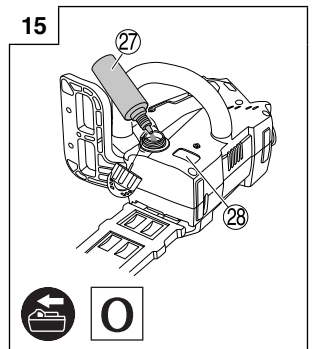
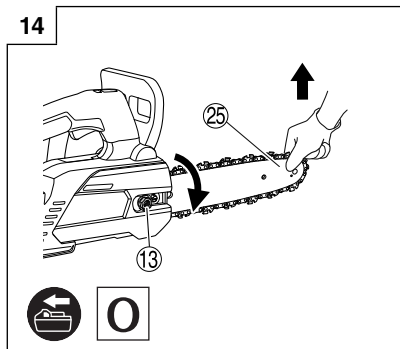
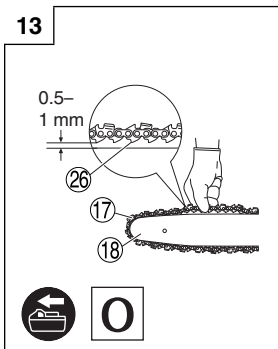
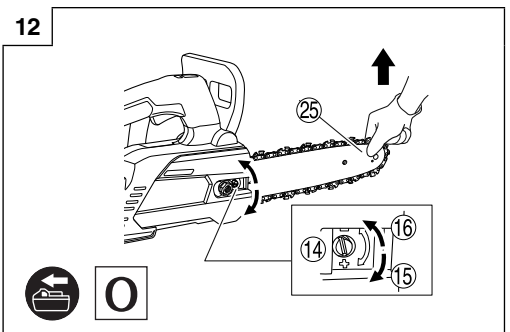
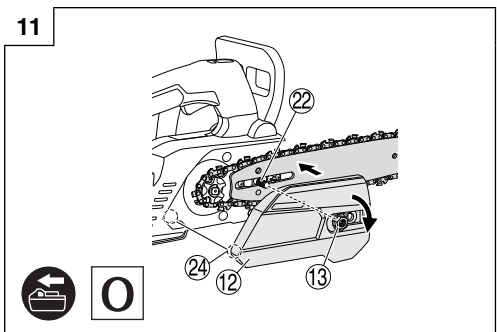
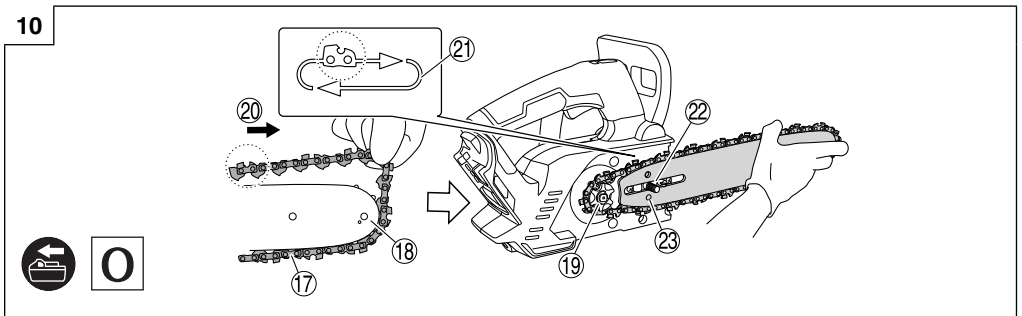
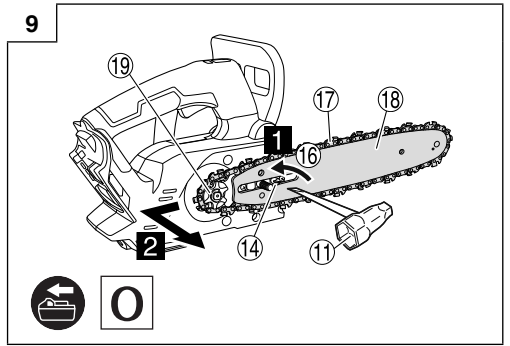
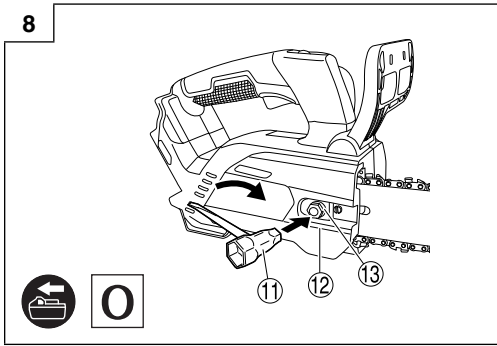
HIKOKI

CS 1825DC

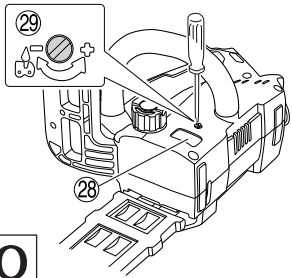


Handling instructions

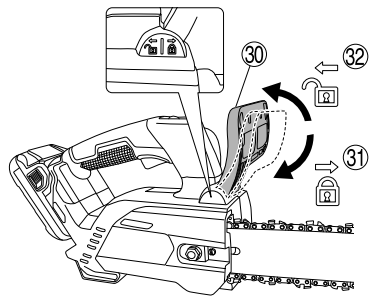




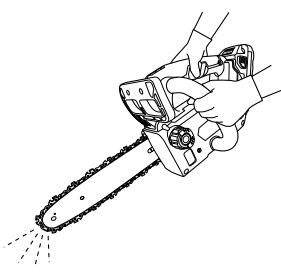
16



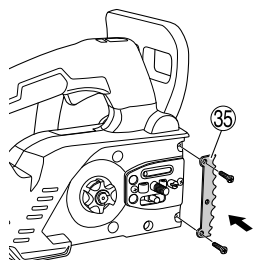
17



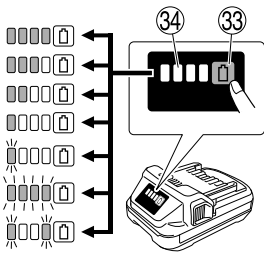
18



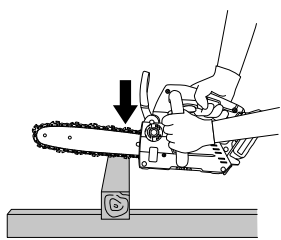
19



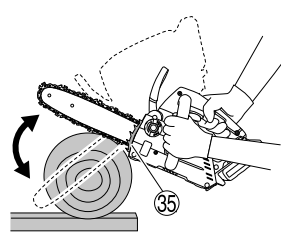
20



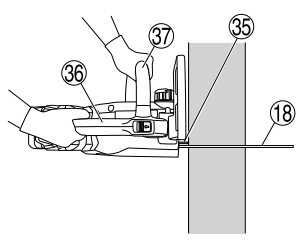
21



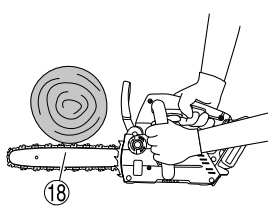
22



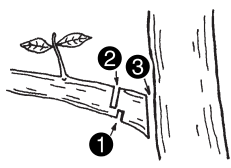
23



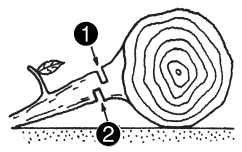
24



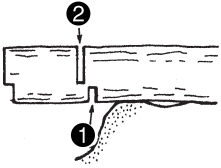
25



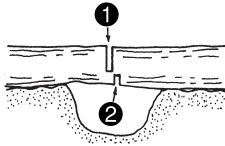
26



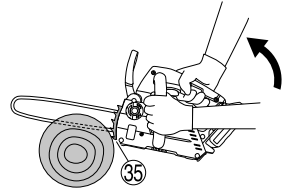
27



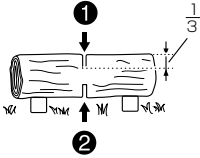
28



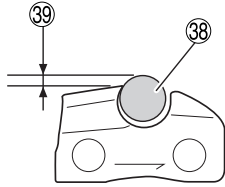
29



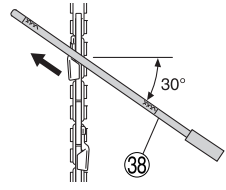
30



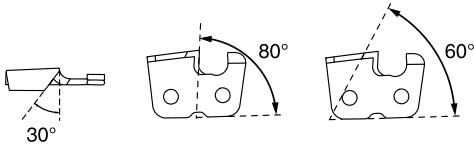
31



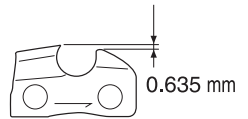
32



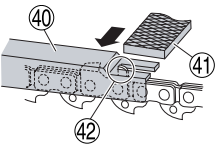
33



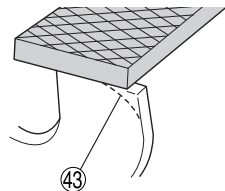
34



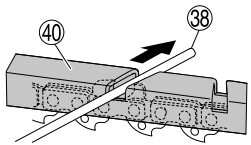
35



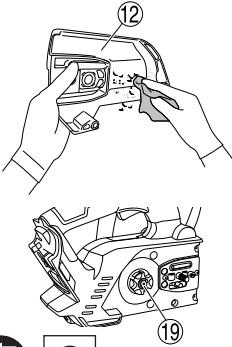
36



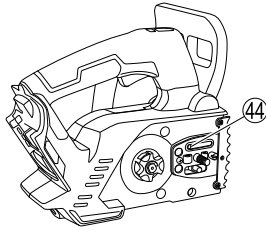
37



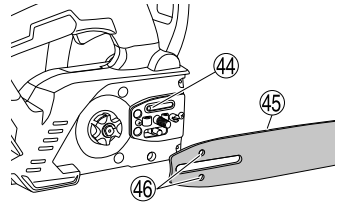
38



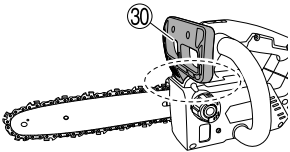
39



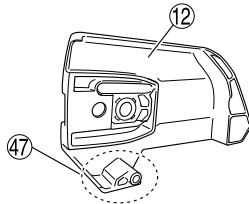
40



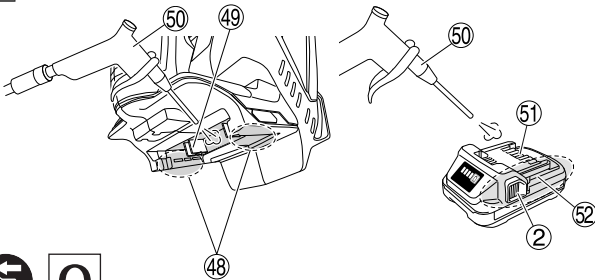
41



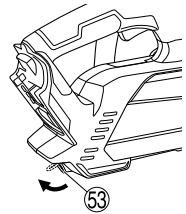
42



43



44



SYMBOLS

WARNING

The following show symbols used for the machine. Be sure that you understand their meaning before use.

	CS1825DC: Cordless Chain Saw
	To reduce the risk of injury, user must read instruction manual.
	Do not use a power tool in the rain and moisture or leave it outdoors when it is raining.
	Read, understand and follow all warnings and instructions in this manual and on the unit.
	Always wear eye, head and ear protectors when using this unit.
	Beware of chain saw kickback and avoid contact with bar tip.
	Always use chain saw two-handed.
	It is important that you wear the protective clothing for feet, legs, hands, fore-arms and head.
	This chain saw is for use by trained tree service operator only. Use without proper training can result in severe injuries.
	Chain oil delivery rate adjustment
	Disconnect the battery

WHAT IS WHAT? (Fig. 1)

- A: Battery (sold separately): Power source to drive the unit.
 B: Switch: Device activated by the finger.
 C: Lock-off lever: Lever that prevents the accidental operation of the trigger.
 D: Chain brake: Device for stopping or locking the saw chain.
 E: Side cover: Protective cover to the guide bar, saw chain, clutch and sprocket when the chain saw is in use.
 F: Nut: Nut for securing side cover.
 G: Tensioning screw: Device for adjusting tension of saw chain.
 H: Front handle: Support handle located at or towards the front of the main body.
 I: Rear handle (Top handle): Support handle located on the rear of the main body.
 J: Saw chain: Chain, serving as a cutting tool.
 K: Guide bar: The part that supports and guides the saw chain.
 L: Oil tank cap: Cap for closing the oil tank.
 M: Oil sight glass: Window to check chain oil amount.
 N: Hook: Tool for hanging the unit with rope etc.
 O: Oil feeder: Container for oil.
 P: Chain case: Case for covering the guide bar and saw chain when the unit is not being used.
 Q: Combi box spanner: The tool for removing or installing a side cover and tensioning the saw chain.

⚠ WARNING

This chain saw (CS1825DC) is designed especially for tree care and surgery. Only persons trained in tree care and surgery may use this saw. Observe all literature, procedures and recommendations from the relevant professional organization. Failure to do so constitutes a high accident risk. We recommend always using a rising platform for sawing in trees. Rappelling techniques are extremely dangerous and require special training. The operator must be trained in and familiar with the use of safety equipment and working and climbing techniques. Always use the restraining equipment for both the operator and the saw.

GENERAL POWER TOOL SAFETY WARNINGS

⚠ WARNING

Read all safety warnings, instructions, illustrations and specifications provided with this power tool.

Failure to follow all instructions listed below may result in electric shock, fire and/or serious injury.

Save all warnings and instructions for future reference.

The term "power tool" in the warnings refers to your mains-operated (corded) power tool or battery-operated (cordless) power tool.

1) Work area safety

- Keep work area clean and well lit.**
Cluttered or dark areas invite accidents.
- Do not operate power tools in explosive atmospheres, such as in the presence of flammable liquids, gases or dust.**
Power tools create sparks which may ignite the dust or fumes.
- Keep children and bystanders away while operating a power tool.**
Distractions can cause you to lose control.

2) Electrical safety

- Power tool plugs must match the outlet. Never modify the plug in any way. Do not use any adapter plugs with earthed (grounded) power tools.**
Unmodified plugs and matching outlets will reduce risk of electric shock.
- Avoid body contact with earthed or grounded surfaces, such as pipes, radiators, ranges and refrigerators.**
There is an increased risk of electric shock if your body is earthed or grounded.
- Do not expose power tools to rain or wet conditions.**
Water entering a power tool will increase the risk of electric shock.
- Do not abuse the cord. Never use the cord for carrying, pulling or unplugging the power tool. Keep cord away from heat, oil, sharp edges or moving parts.**
Damaged or entangled cords increase the risk of electric shock.
- When operating a power tool outdoors, use an extension cord suitable for outdoor use.**
Use of a cord suitable for outdoor use reduces the risk of electric shock.
- If operating a power tool in a damp location is unavoidable, use a residual current device (RCD) protected supply.**
Use of an RCD reduces the risk of electric shock.

3) Personal safety

- a) **Stay alert, watch what you are doing and use common sense when operating a power tool. Do not use a power tool while you are tired or under the influence of drugs, alcohol or medication.**

A moment of inattention while operating power tools may result in serious personal injury.

- b) **Use personal protective equipment. Always wear eye protection.**

Protective equipment such as a dust mask, non-skid safety shoes, hard hat or hearing protection used for appropriate conditions will reduce personal injuries.

- c) **Prevent unintentional starting. Ensure the switch is in the off-position before connecting to power source and/or battery pack, picking up or carrying the tool.**

Carrying power tools with your finger on the switch or energising power tools that have the switch on invites accidents.

- d) **Remove any adjusting key or wrench before turning the power tool on.**

A wrench or a key left attached to a rotating part of the power tool may result in personal injury.

- e) **Do not overreach. Keep proper footing and balance at all times.**

This enables better control of the power tool in unexpected situations.

- f) **Dress properly. Do not wear loose clothing or jewellery. Keep your hair and clothing away from moving parts.**

Loose clothes, jewellery or long hair can be caught in moving parts.

- g) **If devices are provided for the connection of dust extraction and collection facilities, ensure these are connected and properly used.**

Use of dust collection can reduce dust-related hazards.

- h) **Do not let familiarity gained from frequent use of tools allow you to become complacent and ignore tool safety principles.**

A careless action can cause severe injury within a fraction of a second.

4) Power tool use and care

- a) **Do not force the power tool. Use the correct power tool for your application.**

The correct power tool will do the job better and safer at the rate for which it was designed.

- b) **Do not use the power tool if the switch does not turn it on and off.**

Any power tool that cannot be controlled with the switch is dangerous and must be repaired.

- c) **Disconnect the plug from the power source and/or remove the battery pack, if detachable, from the power tool before making any adjustments, changing accessories, or storing power tools.**

Such preventive safety measures reduce the risk of starting the power tool accidentally.

- d) **Store idle power tools out of the reach of children and do not allow persons unfamiliar with the power tool or these instructions to operate the power tool.**

Power tools are dangerous in the hands of untrained users.

- e) **Maintain power tools and accessories. Check for misalignment or binding of moving parts, breakage of parts and any other condition that may affect the power tool's operation. If damaged, have the power tool repaired before use.**

Many accidents are caused by poorly maintained power tools.

- f) **Keep cutting tools sharp and clean.**

Properly maintained cutting tools with sharp cutting edges are less likely to bind and are easier to control.

- g) **Use the power tool, accessories and tool bits etc. in accordance with these instructions, taking into account the working conditions and the work to be performed.**

Use of the power tool for operations different from those intended could result in a hazardous situation.

- h) **Keep handles and grasping surfaces dry, clean and free from oil and grease.**

Slippery handles and grasping surfaces do not allow for safe handling and control of the tool in unexpected situations.

5) Battery tool use and care

- a) **Recharge only with the charger specified by the manufacturer.**

A charger that is suitable for one type of battery pack may create a risk of fire when used with another battery pack.

- b) **Use power tools only with specifically designated battery packs.**

Use of any other battery packs may create a risk of injury and fire.

- c) **When battery pack is not in use, keep it away from other metal objects, like paper clips, coins, keys, nails, screws or other small metal objects, that can make a connection from one terminal to another.**

Shorting the battery terminals together may cause burns or a fire.

- d) **Under abusive conditions, liquid may be ejected from the battery; avoid contact. If contact accidentally occurs, flush with water. If liquid contacts eyes, additionally seek medical help.**

Liquid ejected from the battery may cause irritation or burns.

- e) **Do not use a battery pack or tool that is damaged or modified.**

Damaged or modified batteries may exhibit unpredictable behaviour resulting in fire, explosion or risk of injury.

- f) **Do not expose a battery pack or tool to fire or excessive temperature.**

Exposure to fire or temperature above 130°C may cause explosion.

- g) **Follow all charging instructions and do not charge the battery pack or tool outside the temperature range specified in the instructions.**

Charging improperly or at temperatures outside the specified range may damage the battery and increase the risk of fire.

6) Service

- a) **Have your power tool serviced by a qualified repair person using only identical replacement parts.**

This will ensure that the safety of the power tool is maintained.

- b) **Never service damaged battery packs.**

Service of battery packs should only be performed by the manufacturer or authorized service providers.

PRECAUTION

Keep children and infirm persons away.

When not in use, tools should be stored out of reach of children and infirm persons.

CORDLESS CHAIN SAW SAFETY WARNINGS

1) General chain saw safety warnings

- a) **This chain saw is not intended for tree felling.** Use of the chain saw for operations different than intended could result in serious injury to the operator or bystanders.
- b) **The operator must be trained in safe climbing techniques and in the use of all recommended additional safety equipment, such as harness, loops, straps, rope and karabiners, and other fall arrest systems for the operator and the saw.** Establishing a secure location in the tree at each working position is essential to avoid a hazardous situation.
- c) **Wear eye protection, ear protection and protective equipment for head, forearms, hands, legs and feet that is suitable for tree climbing.** Adequate protective equipment will reduce personal injury from flying debris or accidental contact with the saw chain.
- d) **Cut wood only. Do not use chain saw for purposes not intended. For example: do not use chain saw for cutting metal, plastic, masonry or non-wood building materials.** Use of the chain saw for operations different than intended could result in a hazardous situation.
- e) **Always hold the chain saw with your right hand on the rear handle and your left hand on the front handle.** Holding the chain saw with a reversed hand configuration increases the risk of personal injury and should never be done.
- f) **Hold the chain saw by insulated gripping surfaces only, because the saw chain may contact hidden wiring.** Saw chains contacting a "live" wire may make exposed metal parts of the chain saw "live" and could give the operator an electric shock.
- g) **Keep all parts of the body away from the saw chain when the chain saw is operating. Before you start the chain saw, make sure the saw chain is not contacting anything.** A moment of inattention while operating chain saws may cause entanglement of your clothing or body with the saw chain.
- h) **When cutting a limb that is under tension, be alert for spring back.** When the tension in the wood fibres is released, the spring loaded limb may strike the operator and/or throw the chain saw out of control.
- i) **Use extreme caution when cutting thin branches.** The slender material may catch the saw chain and be whipped toward you or pull you off balance.
- j) **Follow all instructions when clearing jammed material, storing or servicing the chain saw. Make sure the switch is off and the battery pack is removed.** Unexpected actuation of the chain saw while clearing jammed material or servicing may result serious personal injury.
- k) **Carry the chain saw by the front handle with the chain saw switched off and away from your body. When transporting or storing the chain saw, always fit the guide bar cover.** Proper handling of the chain saw will reduce the likelihood of accidental contact with the moving saw chain.
- l) **Follow instructions for lubricating, chain tensioning and changing the bar and chain.** Improperly tensioned or lubricated chain may either break or increase the chance for kickback.

2) Causes and operator prevention of kickback:

Kickback may occur when the nose or tip of the guide bar touches an object, or when the wood closes in and pinches the saw chain in the cut. (Fig. 2)

Tip contact in some cases may cause a sudden reverse reaction, kicking the guide bar up and back towards the operator.

Pinching the saw chain along the top of the guide bar may push the guide bar rapidly back towards the operator.

Either of these reactions may cause you to lose control of the saw which could result in serious personal injury. Do not rely exclusively upon the safety devices built into your saw. As a chain saw user, you should take several steps to keep your cutting jobs free from accident or injury.

Kickback is the result of machine misuse and/or incorrect operating procedures or conditions and can be avoided by taking proper precautions as given below:

- a) **Maintain a firm grip, with thumbs and fingers encircling the chain saw handles, with both hands on the saw and position your body and arm to allow you to resist kickback forces.** (Fig. 3) Kickback forces can be controlled by the operator, if proper precautions are taken. Do not let go of the chain saw.
- b) **Do not overreach.** This helps prevent unintended tip contact and enables better control of the chain saw in unexpected situations.
- c) **Only use replacement guide bars and saw chains specified by the manufacturer.** Incorrect replacement guide bars and saw chains may cause chain breakage and/or kickback.
- d) **Follow the manufacturer's sharpening and maintenance instructions for the saw chain.** Decreasing the depth gauge height can lead to increased kickback.

ADDITIONAL SAFETY WARNINGS

1. Work without pressure. In addition, always keep your body warm.
2. Keep all parts of the body away from the saw chain when the chain saw is operating.
3. Before commencing work, reflect fully on the work procedures involved and work to avoid accidents, otherwise injury may occur.
4. Do not use in the event of bad weather, such as strong wind, rain, snow, fog, or in areas prone to rockfall or avalanches.
In bad weather, judgment may be impaired and the vibration may result in disaster.
5. When visibility is poor, such as during bad weather or night, do not use the unit. In addition, do not use it in rain or in a location exposed to rain.
Unstable foothold or loss of balance may result in an accident.
6. Check the guide bar and saw chain before starting the unit.
 - If the guide bar or saw chain is cracked, or the product is scratched or bent, do not use the unit.
 - Check if the guide bar and saw chain are securely installed. If the guide bar or saw chain is broken or dislodged, this may result in an accident.
7. Before starting work, check to ensure the switch does not engage unless the lock-off lever is pressed.
If the unit does not working properly, immediately stop using and request repair from your HiKOKI Authorized Service Center.
8. Install the saw chain properly, in accordance with the instruction manual.
If installed incorrectly, the saw chain will come off the guide bar and injury may occur.

9. Never remove any of the safety devices equipped on the chain saw (chain brake, lock-off lever, chain catcher etc.).
In addition, do not alter or immobilize them.
Injury may occur.
10. In the following cases, switch the unit off and ensure the saw chain is no longer moving:
 - When not in use.
 - When shifting to a new work location.
 - When inspecting, adjusting or replacing the saw chain, guide bar, chain case and any other part.
 - When refilling the chain oil.
 - When removing dust etc. from the body.
 - When removing obstacles, trash or sawdust generated from work from the work area.
 - When you take off the unit, or when you get away from the unit.
 - Otherwise, if you sense danger or anticipate risk.
If the saw chain is still moving, an accident may occur.
11. Work should generally be performed individually.
When multiple individuals are involved, ensure sufficient spacing between them.
12. Remain more than 15 m away from other people.
In addition, when working with multiple persons, remain 15 m or more apart.
 - There is a risk of impact with scatters and other accidents.
 - Prepare a whistle alert etc. and determine appropriate contact method for other workers beforehand.
13. Before cutting standing trees, ensure the following:
 - Determine a safe evacuation location prior to cutting.
 - Remove obstacles (e.g., branches, shrubs) in advance.
14. During use, if the unit performance deteriorates, or you notice any abnormal sound or vibration, immediately switch off and discontinue use, and return to your HiKOKI Authorized Service Center for inspection or repair.
If you continue using, injury may occur.
15. If the unit is accidentally dropped or exposed to impact, inspect carefully for damage or cracks and ensure there is no deformation.
If the unit is damaged, cracked or deformed, injury may occur.
16. When transporting the unit by car, secure the unit to prevent it moving.
There is a risk of accident.
17. Do not switch the unit on while the chain case is attached.
Injury may occur.
18. Ensure there are no nails and other foreign objects in the material.
If the saw chain impact on the nail etc., injury may occur.
19. To avoid the guide bar becoming entangled with the material when chopping on a verge or when subject to the weight of material while cutting, install a supporting platform close to the cutting position.
If the guide bar becomes entangled, injury may occur.
20. If the unit is to be transported or stored after use, either remove the saw chain, or attach the chain case.
If the saw chain comes into contact with your body, injury may occur.
21. Adequately care for the unit.
 - To ensure work can be performed safely and efficiently, care for the saw chain to ensure it provides optimal cutting performance.
 - When replacing the saw chain or guide bar, maintaining the body, filling oil etc., follow the instruction manual.
22. Ask the shop to repair the unit.
 - Do not modify this product, since it already complies with the applicable safety standards.
 - Always refer to your HiKOKI Authorized Service Center for all repairs.
Attempting to repair the unit yourself may result in an accident or injury.
23. When not using the unit, ensure it is properly stored.
Drain off the chain oil, and keep in a dry place out of reach of children or a locked location.
24. If the warning label is no longer visible, peels off or is otherwise unclear, apply a new warning label.
For the warning label, refer to your HiKOKI Authorized Service Center.
25. When working, if local rules or regulations apply, comply with the same.
26. Make sure that the battery is installed firmly. If it is at all loose it could come off and cause an accident.
27. Do not use the product if the tool or the battery terminals (battery mount) are deformed.
Installing the battery could cause a short circuit that could result in smoke emission or ignition.
28. Keep the tool's terminals (battery mount) free of swarf and dust.
 - Prior to use, make sure that swarf and dust have not collected in the area of the terminals.
 - During use, try to avoid swarf or dust on the tool from falling on the battery.
 - When suspending operation or after use, do not leave the tool in an area where it may be exposed to falling swarf or dust.
Doing so could cause a short circuit that could result in smoke emission or ignition.
29. Always use the tool and battery at temperatures between -5°C and 40°C.

PRECAUTIONS FOR BATTERY AND CHARGER (sold separately)

1. Always charge the battery at a temperature of 0°C–40°C. A temperature of less than 0°C will result in over charging which is dangerous. The battery cannot be charged at a temperature higher than 40°C.
The most suitable temperature for charging is that of 20°C–25°C.
2. Do not use the charger continuously.
When one charging is completed, leave the charger for about 15 minutes before the next charging of battery.
3. Do not allow foreign matter to enter the hole for connecting the rechargeable battery.
4. Never disassemble the rechargeable battery or charger.
5. Never short-circuit the rechargeable battery.
Short-circuiting the battery will cause a great electric current and overheat. It results in burn or damage to the battery.
6. Do not dispose of the battery in fire.
If the battery is burnt, it may explode.
7. Using an exhausted battery will damage the charger.
8. Bring the battery to the shop from which it was purchased as soon as the post-charging battery life becomes too short for practical use. Do not dispose of the exhausted battery.
9. Do not insert objects into the air ventilation slots of the charger.
Inserting metal objects or flammable into the charger air ventilation slots will result in an electrical shock hazard or damage to the charger.

CAUTION ON LITHIUM-ION BATTERY

To extend the lifetime, the lithium-ion battery equips with the protection function to stop the output.

In the cases of 1 to 3 described below, when using this product, even if you are pulling the switch, the motor may stop. This is not the trouble but the result of protection function.

- When the battery power remaining runs out, the motor stops.
In such case, charge it up immediately.
- If the tool is overloaded, the motor may stop. In this case, release the switch of tool and eliminate causes of overloading. After that, you can use it again.
- If the battery is overheated under overload work, the battery power may stop.
In this case, stop using the battery and let the battery cool. After that, you can use it again.

Furthermore, please heed the following warning and caution.

WARNING

In order to prevent any battery leakage, heat generation, smoke emission, explosion and ignition beforehand, please be sure to heed the following precautions.

- Make sure that swarf and dust do not collect on the battery.
 - During work make sure that swarf and dust do not fall on the battery.
 - Make sure that any swarf and dust falling on the power tool during work do not collect on the battery.
 - Do not store an unused battery in a location exposed to swarf and dust.
 - Before storing a battery, remove any swarf and dust that may adhere to it and do not store it together with metal parts (screws, nails, etc.).
- Do not pierce battery with a sharp object such as a nail, strike with a hammer, step on, throw or subject the battery to severe physical shock.
- Do not use an apparently damaged or deformed battery.
- Do not use the battery for a purpose other than those specified.
- If the battery charging fails to complete even when a specified recharging time has elapsed, immediately stop further recharging.
- Do not put or subject the battery to high temperatures or high pressure such as into a microwave oven, dryer, or high pressure container.
- Keep away from fire immediately when leakage or foul odor are detected.
- Do not use in a location where strong static electricity generates.
- If there is battery leakage, foul odor, heat generated, discolored or deformed, or in any way appears abnormal during use, recharging or storage, immediately remove it from the equipment or battery charger, and stop use.
- Do not immerse the battery or allow any fluids to flow inside. Conductive liquid ingress, such as water, can cause damage resulting in fire or explosion. Store your battery in a cool, dry place, away from combustible and flammable items. Corrosive gas atmospheres must be avoided.

CAUTION

- If liquid leaking from the battery gets into your eyes, do not rub your eyes and wash them well with fresh clean water such as tap water and contact a doctor immediately.
If left untreated, the liquid may cause eye-problems.
- If liquid leaks onto your skin or clothes, wash well with clean water such as tap water immediately.
There is a possibility that this can cause skin irritation.

- If you find rust, foul odor, overheating, discolor, deformation, and/or other irregularities when using the battery for the first time, do not use and return it to your supplier or vendor.

WARNING

If an electrically conductive foreign object enters the terminals of the lithium ion battery, a short-circuit may occur resulting in the risk of fire. Please observe the following matters when storing the battery.

- Do not place electrically conductive cuttings, nails, steel wire, copper wire or other wire in the storage case.
- Either install the battery in the power tool or store by securely pressing into the battery cover until the ventilation holes are concealed to prevent short-circuits (See Fig. 4).

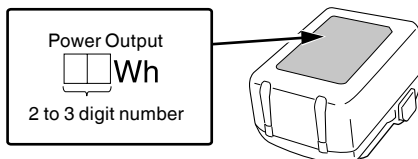
REGARDING LITHIUM-ION BATTERY TRANSPORTATION

When transporting a lithium-ion battery, please observe the following precautions.

WARNING

Notify the transporting company that a package contains a lithium-ion battery, inform the company of its power output and follow the instructions of the transportation company when arranging transport.

- Lithium-ion batteries that exceed a power output of 100 Wh are considered to be in the freight classification of Dangerous Goods and will require special application procedures.
- For transportation abroad, you must comply with international law and the rules and regulations of the destination country.



NAMES OF PARTS (Fig. 1–Fig. 44)

①	Battery (sold separately)	⑭	Tensioning screw
②	Latch	⑮	Increase the tension
③	Ventilation holes	⑯	Decrease the tension
④	Terminals	⑰	Saw chain
⑤	Battery cover	⑱	Guide bar
⑥	Insert	⑲	Sprocket
⑦	Pull out	⑳	Blade direction
⑧	Lock-off lever	㉑	Illustration showing blade direction
⑨	Switch	㉒	Bolt
⑩	Pilot lamp	㉓	Chain tensioner boss
⑪	Combi box spanner	㉔	Lug
⑫	Side cover	㉕	Guide bar tip
⑬	Nut	㉖	Drive link

27	Chain oil	41	Flat file
28	Oil sight glass	42	Protruding depth gauge head
29	Oil pump adjuster	43	Round off
30	Chain brake	44	Chain oil spout
31	Actuation	45	Groove
32	Release	46	Oil hole
33	Battery level indicator switch	47	Chain catcher
34	Battery level indicator lamp	48	Battery sliding grooves
35	Spike (sold separately)	49	Terminal (Product)
36	Rear handle (Top handle)	50	Air blow gun
37	Front handle	51	Terminal (Battery)
38	Round file	52	Sliding grooves
39	1/5 of diameter of file	53	Hook
40	Depth gauge jointer		

STANDARD ACCESSORIES

In addition to the main unit (1 unit), the package contains the accessories listed on page 19.

Standard accessories are subject to change without notice.

APPLICATIONS

- Cutting of timber/logs
- Pruning of garden trees

CHARGING

Battery and battery charger are not included with this product.

Before using the power tool, charge the battery as follows.

1. **Connect the charger's power cord to the receptacle.**

When connecting the plug of the charger to a receptacle, the pilot lamp will blink in red (At 1-second intervals).

2. **Insert the battery into the charger.**

Firmly insert the battery into the charger as shown in Fig. 6.

3. **Charging**

When inserting a battery in the charger, charging will commence and the pilot lamp will light continuously in red.

When the battery becomes fully recharged, the pilot lamp will blink in red. (At 1-second intervals) (See Table 1)

- **Pilot lamp indication**

The indications of the pilot lamp will be as shown in Table 1, according to the condition of the charger or the rechargeable battery.

SPECIFICATIONS

1. Power tool

Model	CS1825DC
Voltage	18 V
Saw chain	Type: 90PX-040X Pitch: 9.5 mm (3/8") Gauge: 1.1 mm (0.043")
Guide bar	Type: 104MLEA041 Size: 250 mm (Max. cutting length)
Sprocket	Number of teeth: 6 Pitch 9.5 mm (3/8")
No-load chain speed	12.1 m/s (730 m/min)
Chain oil tank capacity	70 ml
Battery available for this tool	BSL1820M, BSL1830C, BSL1840M, BSL1850, BSL1850C, BSL1850MA, BSL36A18, BSL36B18
Weight*	2.0 kg

* Weight: Saw chain, guide bar, chain case, oil, battery not included






NOTE

Due to HiKOKI's continuing program of research and development, the specifications herein are subject to change without prior notice.

2. Battery (sold separately)

Model	BSL1820M
Voltage	18 V
Battery capacity	2.0 A

Table 1

Indications of the pilot lamp (RED)		
Before charging	Lights on for 0.5 seconds and off for 0.5 seconds Blinks 	Plugged into power source
While charging	Lights continuously Lights 	—
Charging complete	Lights on for 0.5 seconds and off for 0.5 seconds Blinks 	—
Overheat standby	Lights on for 1 second and off for 0.5 seconds Blinks 	Battery overheated. Unable to charge. (Charging will commence when battery cools)
Charging impossible	Lights on for 0.1 seconds and off for 0.1 seconds Flickers 	Malfunction in the battery or the charger

- Regarding the temperatures and charging time of the battery.
The temperatures and charging time will become as shown in **Table 2**.

Table 2

Battery		Charger	UC18YFSL
Charging voltage		V	14.4–18
Weight		kg	0.5
Temperatures at which the battery can be recharged			0°C–50°C
Charging time for battery capacity, approx. (At 20°C)			
1.5 Ah	min		22
2.0 Ah	min		30
2.5 Ah	min		35
3.0 Ah	min		45
4.0 Ah	min		60
5.0 Ah	min		75
6.0 Ah	min		90
8.0 Ah	min		120
Number of battery cells			4–10

NOTE

The recharging time may vary according to temperature and power source voltage.

CAUTION

When the battery charger has been continuously used, the battery charger will be heated, thus constituting the cause of the failures. Once the charging has been completed, give 15 minutes rest until the next charging.

4. Disconnect the charger's power cord from the receptacle.

5. Hold the charger firmly and pull out the battery.

NOTE

Be sure to pull out the battery from the charger after use, and then keep it.

Regarding electric discharge in case of new batteries, etc.

As the internal chemical substance of new batteries and batteries that have not been used for an extended period is not activated, the electric discharge might be low when using them the first and second time. This is a temporary phenomenon, and normal time required for recharging will be restored by recharging the batteries 2–3 times.

How to make the batteries perform longer.

- (1) Recharge the batteries before they become completely exhausted.
When you feel that the power of the tool becomes weaker, stop using the tool and recharge its battery. If you continue to use the tool and exhaust the electric current, the battery may be damaged and its life will become shorter.
- (2) Avoid recharging at high temperatures.
A rechargeable battery will be hot immediately after use. If such a battery is recharged immediately after use, its internal chemical substance will deteriorate, and the battery life will be shortened. Leave the battery and recharge it after it has cooled for a while.

CAUTION

- If the battery is charged while it is heated because it has been left for a long time in a location subject to direct sunlight or because the battery has just been used, the pilot lamp of the charger lights for 1 second, does not light for 0.5 seconds (off for 0.5 seconds). In such a case, first let the battery cool, then start charging.
- When the pilot lamp flickers (at 0.2-second intervals), check for and take out any foreign objects in the charger's battery connector. If there are no foreign objects, it is probable that the battery or charger is malfunctioning. Take it to your authorized Service Center.

MOUNTING AND OPERATION

Action	Figure	Page
Removing and inserting the battery	5	2
Switch operation*1	7	2
Using the hook*2	44	6
Selecting accessories	—	20

***1 Switch operation**

When the switch is engaged while sliding the lock-off lever, the saw chain rotates. (Fig. 7)

Unless the lock-off lever is being slid, the switch cannot be engaged.

After the switch is engaged, the saw chain continues rotating as long as it is pressed down.

When the switch is released, a brake is applied to stop the saw chain rotation.

WARNING

Do not secure the lock-off lever in the slid position. If the switch is accidentally engaged, the unit may unexpectedly start and injury may occur.

***2 Using the hook**

WARNING

When using the hook, ensure the unit is securely suspended to avoid the risk of falling. If the unit falls, an accident may occur.

INSTALLING (REPLACING) SAW CHAIN

WARNING

- To prevent accidents, always switch the unit off, and remove the battery.
- Don't use the saw chain or the guide bar other than those specified in "SPECIFICATIONS".

CAUTION

Wear thick gloves and be careful to avoid injury with the saw chain.

NOTE

- When removing the saw chain, remove sawdust from the oil spout, oil hole, and guide bar groove. If sawdust accumulates, this may cause the unit to fail.
- Use the correct type of saw chain in accordance with the specifications.

If you install the wrong type of guide bar, the saw chain may come off and injury may occur.

- 1. Removing the side cover (Fig. 8)**
Turn the nut and remove the side cover.
- 2. Removing the saw chain and guide bar (Fig. 9)**
Rotate the tensioning screw in the "–" direction to introduce a small amount of slack in the saw chain, then detach from the sprocket. Detach along with the guide bar in the direction indicated by the arrow.

3. Engaging the new saw chain in the sprocket (Fig. 10)

- ① Attach the saw chain from the guide bar tip. Make sure the saw chain is oriented so that the blade faces in the direction shown in the illustration below the sprocket.
- ② Insert the bolt and chain tensioner boss into the hole in the guide bar while holding the chain and guide bar tip. Engage the end of the saw chain to the sprocket and mount the guide bar to the saw body.

4. Installing the side cover (Fig. 11)

- ① Attach the side cover by inserting the lug into the slot in the saw body. Make sure the saw chain does not come loose from the guide bar.
- ② Rotate the nut once to temporarily fix it. Remove any dirt around the side cover before reattaching.

5. Adjusting the saw chain tension (Fig. 12)

- While lifting the guide bar tip, turn the tensioning screw to adjust the saw chain tension.
- Turn the tensioning screw to the "+" to increase the saw chain tension, and to the "-" to decrease it.

6. Checking the saw chain tension (Fig. 13)

Adjust the saw chain tension so that the gap between the saw chain drive link and the guide bar is 0.5 to 1 mm when you lift the saw chain slightly near the center of the guide bar.

7. Securing the nut (Fig. 14)

When adjustment is complete, lift up the guide bar, and fully tighten the nut.

WARNING

After adjusting the saw chain tension, ensure the nut is fully tightened.
If it is loose, injury may occur.

INSPECTION AND PREPARATION PRIOR TO USE

Prior to use, make the following inspection and preparation.

WARNING

- To prevent accidents, always perform steps 1 to 3 ensuring the battery is removed from the body.
- Do not secure the lock-off lever in the slid position. If the switch is accidentally engaged, the unit may unexpectedly start and injury may occur.

1. Ensuring the switch is off

- If you insert the battery without knowing whether the switch is engaged, the unit may unexpectedly start, which may result in an accident.
- When the switch is engaged while the lock-off lever is in the slid position, the unit switches on, and when the switch is released, the unit switches off.

2. Checking the saw chain tension

- If the saw chain tension is incorrect, there is a risk of damage to the saw chain or guide bar and malfunction. Referring to steps 5 to 7 "Installing (replacing) saw chain," ensure an appropriate tension is set.
- While the saw chain is still new, it is particularly stretchy, so periodically check the tension and adjust as required.
- Also check the nut is securely tightened.

3. Checking the chain oil

- This unit is delivered without chain oil inside. Ensure the oil tank is filled with the chain oil provided before use. (Fig. 15)
- Periodically check the oil sight glass during work and replenish oil as required.
- If the chain oil supplied runs out, use HiKOKI chain oil sold separately or equivalent chain oil on the market.
- The chain oil lubricates automatically.
The discharge rate for auto lubrication is factory preset to the maximum.

To reduce the discharge rate, turn the oil pump adjuster on the right side of the oil sight glass clockwise. (Fig. 16)

NOTE

- The oil tank capacity is about 70 ml.
Make sure no oil leaks or overflows from the oil tank when replenishing the chain oil.
- We recommend that you stock up with chain oil. If you continue working without chain oil, the saw chain may burn through, or the motor may fail.
- Be careful to avoid dust or other foreign matter from entering the oil tank. If dust and other foreign matter enter the oil tank, the unit may fail.
- Chain oil left in the tank may leak due to the structure of this unit. Although this does not indicate a malfunction, it may soil the storage location, so be careful. When storing, empty the oil from the oil tank, and place an item under the main body which can absorb any leaks.
- Replenish the oil after every approximately 10 minutes of operation. (*Varies depending on the cutting usage conditions)

4. Installing the battery (Fig. 5)

As shown in Fig. 5, push firmly until it clicks into place.

CAUTION

Securely attach the battery.

If the battery is not securely attached, it may come off and injury may occur.

5. Checking operation of chain brake (Fig. 17)

WARNING

- Although the chain brake is an emergency stop device, this is not completely reliable. Operate carefully to avoid the risk of kickback.
- The chain brake is intended for use in emergencies and when starting up. Do not use it indiscriminately.
- To avoid impaired movement of the chain brake due to buildup of sawdust etc., clean regularly.
- The chain brake is an important component to ensure safe use.
If you have any concern regarding the chain brake operation, request repair from your HiKOKI Authorized Service Center.

The chain brake is an emergency stop device that stops the saw chain when the unit is subject to kickback etc., to reduce risk.

(Refer to "Causes and operator prevention of kickback.")

Push the chain brake in the direction indicated by the arrow (③) to apply the chain brake and stop the saw chain. To release the chain brake, release the switch and pull back on the chain brake.

CAUTION

The chain brake functions only when power is turned on. Check chain brake function in a location with no people or obstructions nearby.

- (1) Press the switch while sliding the lock-off lever.
- (2) Once the saw chain begins turning, push the chain brake forward toward the saw chain.
- (3) If the saw chain stops, the chain brake is functioning as it should. To release the brake, release the switch and pull back on the chain brake.

6. Checking chain oil discharge (Fig. 18)

- When switching the unit on, chain oil automatically lubricates the saw chain and guide bar.
- If oil does not seem to emerge 2 to 3 minutes after the unit starts, check if any sawdust has accumulated around the oil spout.
(Refer to "Cleaning the chain oil spout.")
(Refer to "Checking the chain oil.")

7. Installing of the spike (sold separately) (Fig. 19)

When using the spike, refer to "Installing (replacing) saw chain", remove the saw chain and guide bar, and then install the spike with the two screws provided.

REMAINING BATTERY INDICATOR








You can check the battery's remaining capacity by pressing the remaining battery indicator switch to light the indicator lamp. (Fig. 20, Table 3)

The indicator will shut off approximately 3 seconds after the remaining battery indicator switch is pressed.

It is best to use the remaining battery indicator as a guide since there are slight differences such as ambient temperature and the condition of the battery.

Also, the remaining battery indicator may vary from those equipped to a tool or charger (Battery is not included, sold separately).

Table 3

State of lamp	Battery Remaining Power
	Lights ; The battery remaining power is over 75%.
	Lights ; The battery remaining power is 50%–75%.
	Lights ; The battery remaining power is 25%–50%.
	Lights ; The battery remaining power is less than 25%.
	Blinks ; The battery remaining power is nearly empty. Recharge the battery soonest possible.
	Blinks ; Output suspended due to high temperature. Remove the battery from the tool and allow it to fully cool down.
	Blinks ; Output suspended due to failure or malfunction. The problem may be the battery so please contact your dealer.

NOTE

Do not give a strong shock to the switch panel or break it. It may lead to a trouble.

CUTTING PROCEDURES

WARNING

- When working in trees, wear appropriate protection on your eyes, head, hands, legs, and arms, as well as slip-resistant foot protection.
- Prior to operation, ensure that chain brake works.
- During use, grip the handle securely with both hands. (Fig. 3)
- When cutting timber from the bottom, ensure the saw chain does not impact with the timber. If the unit is pushed back, injury may occur.
- During work breaks or after work, always switch the unit off, and remove the battery from the main body.

Always monitor the workplace and surrounding area, ensure there are no objects which could cause injuries, accidents or failure, and if any are present, remove them in advance.

In particular, when establishing a foothold for working, ensure there is no instability or any object which could be tripped over.

① Ensuring the unit is switched off

If the storage battery is inserted while the switch is unknowingly engaged, the unit may unexpectedly start, which may result in an accident.

② Installing the battery (Fig. 5)

As shown in Fig. 5, push firmly until it clicks into place.

③ Engaging the switch

Ensuring the saw chain is not in contact with the timber, engage the switch, and start cutting when the saw chain speed has increased.

CAUTION

- When switching the unit on, ensure the saw chain does not contact with material or anything else.
- During use, be careful to ensure the saw chain does not contact with other material or object. In particular, when you have finished cutting, be careful to ensure it does not touch the ground.

NOTE

Refill the oil tank early to prevent the unit running out of oil.

1. General cutting procedures

- (1) Switch ON the power while keeping the saw slightly away from the wood to be cut. Start sawing only after the unit has reached full speed.
- (2) When sawing a slender piece of wood, press the base section of the guide bar against the wood and saw downward as shown in Fig. 21.
- (3) When sawing a thick piece of wood, press the spike (sold separately) on the front section of the unit against the wood and cut it with a lever action while using the spike as a fulcrum as shown in Fig. 22.
- (4) When cutting wood horizontally, turn the unit body to the right so that the guide bar is below and hold the upper side of the front handle with your left hand. Hold the guide bar horizontally and place the spike (sold separately) that is on the front of the unit body on the lumbar. Using the spike as a fulcrum, cut into the wood by turning the rear handle to the right. (Fig. 23)
- (5) When cutting into wood from the bottom, touch the upper part of the guide bar to the wood lightly. (Fig. 24)
- (6) As well as carefully studying the handling instructions, ensure practical instruction in the operation of the chain saw prior to use, or at least practice working with the chain saw by cutting lengths of round timber on a sawing trestle.
- (7) When cutting logs or timbers which are not supported, support them properly by immobilizing them during cutting using a sawing trestle or other proper method.

CAUTION

- When cutting wood from the bottom, there is a danger that the unit body may be pushed back toward the user if the chain strongly impacts with the wood.
- Do not cut all the way through the wood by starting from the bottom since there is the danger of the guide bar flying up out of control when the cut is finished.
- Always prevent the operating chain saw from touching the ground or wire fences.

2. Branch cutting

- (1) Cutting branches from a standing tree:
A thick branch should initially be cut off at a point away from the trunk of the tree.
First cut in about one third of the way from below, and then cut off the branch from above. Finally, cut off the remaining portion of the branch even with the trunk of the tree. (Fig. 25)

CAUTION

- Always be careful to avoid falling branches.
- Always be alert for chain saw recoil.

SHARPENING OF THE CHAIN BLADE

WARNING

To prevent accidents, always turn off the switch and remove the battery from the main body.

CAUTION

Always wear thick gloves when handling the saw chain.

NOTE

Sharpen the saw chain and adjust the depth gauge at the central position on the guide bar, with the saw chain attached to the main body.

When the sharpness of saw chains deteriorates, the motor and each part of the body are burdened and the efficiency declines.

For optimal performance of the unit, frequent maintenance is necessary to keep the saw chain sharp.

1. Blade sharpening

Use a 4 mm diameter round file.

The round file should be held against the chain blade so that one-fifth of its diameter extends above the top of the blade, as shown in **Fig. 31**.

Sharpen the blades by keeping the round file at a 30° angle in relation to the guide bar, as shown in **Fig. 32**.

File the blades by gently pushing the round file in the direction of the grip.

Make sure the round file does not touch the saw chain when drawing back the file.

Ensure that all saw blades are filed at the same angle, or the cutting efficiency of the tool will be impaired. Appropriate angles for sharpening the blades correctly are shown in **Fig. 33**. (Round file is sold separately.)

2. Adjustment of depth gauge

WARNING

Do not sand the top part of the bumper tie strap and bumper drive link, nor cause the shape of said parts to deform.

Adjustment of depth gauges must be in line with the predetermined dimensions and shapes, otherwise the risk of kickback may increase, causing an injury.



Depth gauges shall be all lined up in the same manner because they are used to adjust depth at the position where the cutter inlays into the wood.

When sharpening the saw chain, be sure to check the depth gauge every two or three times. (**Fig. 34**)

Place a depth gauge jointer on the saw chain, leave the gauge visible at the groove, and use a flat file to bevel the portion out of the depth gauge jointer. (**Fig. 35**) (Depth gauge jointer and flat file are sold separately.)

After filing away the depth gauge, round off the front side of the depth gauge as it was. (**Fig. 36**)

After sharpening the saw chain, place it into chain oil to wash off the filings.

If filings are not cleaned off, the saw chain and guide bar will quickly wear while in use.

The depth gauge jointer can also be used when dressing with a round file. (**Fig. 37**)

(2) Cutting branches from fallen trees:

First cut off branches that do not touch the ground, then cut off those which touch the ground. When cutting thick branches that touch the ground, first cut in about half of the way from above, then cut the branch off from below. (**Fig. 26**)

CAUTION

- When cutting off branches which touch the ground, be careful that the guide bar does not become bound by pressure.
- During the final cutting stage, beware of the log suddenly rolling.

3. Log cutting

When cutting a log positioned as shown in **Fig. 27**, first cut in about one third of the way from below, then cut down all the way from above. When cutting a log that straddles a hollow as shown in **Fig. 28**, first cut in about two thirds of the way from above, then cut upward from below.

CAUTION

- Ensure the guide bar does not become bound in the log by pressure.
- When working on inclined ground, be sure to stand on the uphill side of the log. If you stand on the downhill side, the cut-off log may roll toward you.

4. Cutting a log laid flat

Make sure the log is stable.

Push the spike against the log. Use the spike as a fulcrum about which the handle can be lifted to facilitate cutting. (**Fig. 29**)

5. Cutting a log supported at both ends

Start by sawing to a depth of approximately one third from the top, then saw from underneath to complete the cut.

The guide bar may become stuck within the saw cut if you attempt to cut all the way through from the top. (**Fig. 30**)

Precaution for cutting work

For large-scale operation or non-stop work

This tool comes with an over-heat protection circuit that protects the electronic parts that control the rechargeable battery. During sustained use or during operations under high loads generated by pressure against the tool, tool temperature will rise and eventually trigger the over-heat protection circuit, which will shut down the tool.

If this happens, let the tool cool for a length of time. When the temperature drops, it will again become possible to use the tool. When the rechargeable battery has to be exchanged during continuous operation, let the tool rest for about 15 minutes.

Gripping/pushing force of chain saw

Always grip the chain saw securely.

In addition, do not force the chain saw more than necessary. When cutting, additional force exerted on the chain saw will not accelerate the cutting speed. This will strain the motor, impair the performance, and damage or cause malfunction of the motor or guide bar. Use the unit in the range where the saw chain is at a reasonable speed.

In particular, when the saw chain stops (becomes jammed) due to the excessive force, it may cause an injury or failure of the unit.

Chain catcher

- The chain catcher is located on the power head just below the chain to further prevent the possibility of a broken chain striking the chain saw user.
- When the saw chain is cut, replace it with a new one referring to "Installing (replacing) saw chain".

MAINTENANCE AND INSPECTION

After operation, perform inspection and maintenance of each part when storing the unit.

WARNING

During maintenance and inspection, always switch off the unit and remove the battery from the main body.

CAUTION

Always wear thick gloves when handling the saw chain.

1. Inspection of saw chains

- Occasionally inspect the saw chain. In the event of any abnormality, replace it with a new one referring to "Installing (replacing) saw chain".
- Inspect the chain tension and check if it is correctly tightened.
- Stop using the unit when the saw chain becomes blunt and sharpen it referring to "Sharpening of the chain blade".
- After use, carefully lubricate the saw chain and guide bars with oil for rust-proofing.

NOTE

When cleaning the side cover, sprocket, chain oil spout, and guide bar, see the procedure "Installing (replacing) saw chain" and remove the saw chain.

2. Cleaning the side cover and sprocket (Fig. 38)

Clean and remove any swarf or dust left inside the parts.

3. Cleaning the chain oil spout (Fig. 39)

Before cleaning the chain oil spout, remove the side cover and guide bar.

4. Cleaning the guide bar (Fig. 40)

When sawdust and similar become clogged in the groove of the guide bar or oil spout, the oil may not flow, which may result in the unit failing.

Remove the guide bar and clean any sawdust clogged in the groove after use and when replacing the saw chain. (Refer to "Installing (replacing) saw chain.")

5. Cleaning the chain brake (Fig. 41)

Use a brush to remove any swarf from the gap to the saw body.

6. Inspecting the chain catcher (Fig. 42)

The chain catcher is designed to protect the operator from being struck by the saw chain if the chain comes loose or is severed.

The chain catcher is integrated into the side cover.

Check to confirm that the chain catcher is not damaged.

7. Inspecting the mounting screws

Regularly inspect all mounting screws and ensure that they are properly tightened. Should any of the screws be loose, retighten them immediately. Failure to do so could result in serious hazard.

8. Maintenance of the motor

The motor unit winding is the very "heart" of the power tool.

Exercise due care to ensure the winding does not become damaged and/or wet with oil or water.

9. Cleaning the battery installation compartment and the battery (Fig. 43)

WARNING

Wear protective glasses and a dust mask when cleaning with an air blow gun.

Failure to do so may result in inhalation or exposure of the eyes to debris or dust.

Use a brush or air blow gun to remove any swarf or dust and keep the saw clean.

NOTE

- Allowing swarf and dust to build up during use may cause the battery to fall off or other accidents. Allowing swarf and dust to build up can also result in malfunctions, including faulty contact between the battery and the terminals.

- After cleaning, check to confirm that the battery can be easily detached and reattached to the tool body.

10. Cleaning of the outside

When the chain saw is stained, wipe with a soft dry cloth or a cloth moistened with soapy water. Do not use chloric solvents, gasoline or paint thinner, for they melt plastics.

11. Storage

- Clean all parts thoroughly. Coat metal parts with a thin layer of corrosion inhibitor.
- Be sure to repair any damaged areas before storing.
- When storing the unit, perform cleaning and maintenance of each part and mount the chain case to the guide bar.
- Store the power tool and battery in a place in which the temperature is less than 40°C and out of reach of children.

NOTE

Storing Lithium-ion Batteries

Make sure the lithium-ion batteries have been fully charged before storing them.

Prolonged storage (3 months or more) of batteries with a low charge may result in performance deterioration, significantly reducing battery usage time or rendering the batteries incapable of holding a charge.

However, significantly reduced battery usage time may be recovered by repeatedly charging and using the batteries two to five times.

If the battery usage time is extremely short despite repeated charging and use, consider the batteries dead and purchase new batteries.

CAUTION

In the operation and maintenance of power tools, the safety regulations and standards prescribed in each country must be observed.

Important notice on the batteries for the HiKOKI cordless power tools

Please always use one of our designated genuine batteries. We cannot guarantee the safety and performance of our cordless power tool when used with batteries other than these designated by us, or when the battery is disassembled and modified (such as disassembly and replacement of cells or other internal parts).

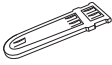



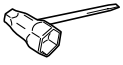
NOTE

Due to HiKOKI's continuing program of research and development, the specifications herein are subject to change without prior notice.

TROUBLESHOOTING

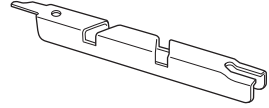
Use the inspections in the table below if the tool does not operate normally. If this does not remedy the problem, consult your dealer or the HIKOKI Authorized Service Center.

Symptom	Possible cause	Remedy
The motor sounds but the saw chain... <input type="radio"/> does not move <input type="radio"/> does not move freely	The chain brake may be activated.	Release by pulling the chain brake toward you.
	The saw chain tension is excessive.	Check the saw chain tension, and if it is too tight, loosen the tension.
	Saw chain comes out of the sprocket.	Check the saw chain is properly engaged on the sprocket.
	Inside the side cover... → sawdust is jammed → foreign matter is trapped	Clean the side cover.
	In the guide bar groove... → sawdust is jammed → oil does not flow	Clean the guide bar groove and the oil hole. Make sure there is oil in the oil tank, and replenish as required.
Poor sharpness	The saw chain... → is worn out or the blade is broken → is rusted	Sharpen the saw chain. If the wear or breakage is very severe, replace with a new saw chain.
	The direction of the saw chain is reversed,	Re-attach ensuring the correct direction.
	Saw chain tension is loose.	Check the saw chain tension and tighten if it is loose.
Chain oil <input type="radio"/> is slow-flowing <input type="radio"/> does not come out (seizes up)	Lack of chain oil in the tank.	Replenish with chain oil.
	Chain oil spout is clogged.	Clean the chain oil spout.

					
CS1825DC (NN)	1	1	1	1	1



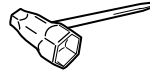
90PX-040X (3/8 × 10")



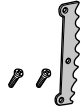
6697724



104MLEA041 (10")

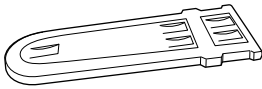


6698582

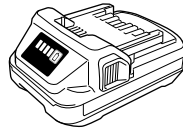


379897

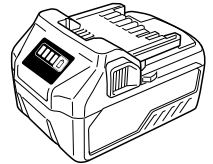
379896



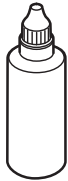
10" : 379898



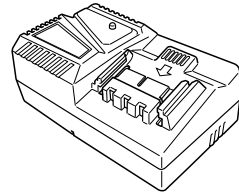
BSL18...



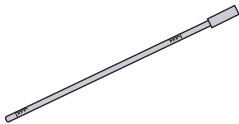
BSL36..18



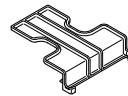
957681



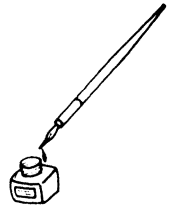
UC18YFSL (14.4 V-18 V)

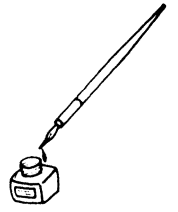


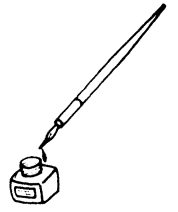
6698688



329897







Koki Holdings Co., Ltd.

Shinagawa Intercity Tower A, 15-1, Konan 2-chome,
Minato-ku, Tokyo, Japan