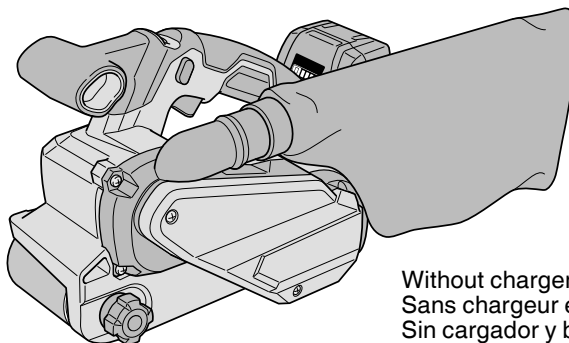


Model
Modèle
Modelo

SB 3608DA

Cordless Belt Sander
Sableuse à courroie sans fil
Lijadora de banda inalámbrica



Without charger and battery
Sans chargeur et batterie
Sin cargador y batería

SAFETY INSTRUCTIONS AND INSTRUCTION MANUAL

⚠ WARNING

IMPROPER OR UNSAFE use of this power tool can result in death or serious bodily injury! This manual contains important information about product safety. Please read and understand this manual **BEFORE** operating the power tool. Please keep this manual available for other users and owners before they use the power tool. This manual should be stored in safe place.

INSTRUCTIONS DE SECURITE ET MODE D'EMPLOI

⚠ AVERTISSEMENT

Une utilisation **INCORRECTE OU DANGEREUSE** de cet outil motorisé peut entraîner la mort ou de sérieuses blessures corporelles!
Ce mode d'emploi contient d'importantes informations à propos de la sécurité de ce produit. Prière de lire et de comprendre ce mode d'emploi **AVANT** d'utiliser l'outil motorisé. Garder ce mode d'emploi à la disponibilité des autres utilisateurs et propriétaires avant qu'ils utilisent l'outil motorisé. Ce mode d'emploi doit être conservé dans un endroit sûr.

INSTRUCCIONES DE SEGURIDAD Y MANUAL DE INSTRUCCIONES

⚠ ADVERTENCIA

¡La utilización **INAPROPIADA O PELIGROSA** de esta herramienta eléctrica puede resultar en lesiones de gravedad o la muerte!
Este manual contiene información importante sobre la seguridad del producto. Lea y comprenda este manual **ANTES** de utilizar la herramienta eléctrica. Guarde este manual para que puedan leerlo otras personas antes de utilizar la herramienta eléctrica. Este manual debe ser guardado en un lugar seguro.

IMPORTANT SAFETY INFORMATION

Read and understand all of the safety precautions, warnings and operating instructions in the Instruction Manual before operating or maintaining this power tool.

Most accidents that result from power tool operation and maintenance are caused by the failure to observe basic safety rules or precautions. An accident can often be avoided by recognizing a potentially hazardous situation before it occurs, and by observing appropriate safety procedures.

Basic safety precautions are outlined in the "SAFETY" section of this Instruction Manual and in the sections which contain the operation and maintenance instructions.

Hazards that must be avoided to prevent bodily injury or machine damage are identified by WARNINGS on the power tool and in this Instruction Manual.

Never use this power tool in a manner that has not been specifically recommended by metabo HPT.

MEANINGS OF SIGNAL WORDS

WARNING indicates a potentially hazardous situations which, if ignored, could result in death or serious injury.

CAUTION indicates a potentially hazardous situations which, if not avoided, may result in minor or moderate injury, or may cause machine damage.

NOTE emphasizes essential information.

SAFETY

GENERAL POWER TOOL SAFETY WARNINGS

WARNING

Read all safety warnings, instructions, illustrations and specifications provided with this power tool.
Failure to follow all instructions listed below may result in electric shock, fire and/or serious injury.

Save all warnings and instructions for future reference.

The term "power tool" in the warnings refers to your mains-operated (corded) power tool or battery-operated (cordless) power tool.

- 1) **Work area safety**
 - a) **Keep work area clean and well lit.**
Cluttered or dark areas invite accidents.
 - b) **Do not operate power tools in explosive atmospheres, such as in the presence of flammable liquids, gases or dust.**
Power tools create sparks which may ignite the dust or fumes.
 - c) **Keep children and bystanders away while operating a power tool.**
Distractions can cause you to lose control.
- 2) **Electrical safety**
 - a) **Power tool plugs must match the outlet.**
Never modify the plug in any way.
Do not use any adapter plugs with earthed (grounded) power tools.
Unmodified plugs and matching outlets will reduce risk of electric shock.
 - b) **Avoid body contact with earthed or grounded surfaces, such as pipes, radiators, ranges and refrigerators.**

There is an increased risk of electric shock if your body is earthed or grounded.
 - c) **Do not expose power tools to rain or wet conditions.**
Water entering a power tool will increase the risk of electric shock.
 - d) **Do not abuse the cord. Never use the cord for carrying, pulling or unplugging the power tool.**
Keep cord away from heat, oil, sharp edges or moving parts.
Damaged or entangled cords increase the risk of electric shock.
 - e) **When operating a power tool outdoors, use an extension cord suitable for outdoor use.**
Use of a cord suitable for outdoor use reduces the risk of electric shock.
 - f) **If operating a power tool in a damp location is unavoidable, use a residual current device (RCD) protected supply.**
Use of an RCD reduces the risk of electric shock.

- 3) **Personal safety**
- a) **Stay alert, watch what you are doing and use common sense when operating a power tool. Do not use a power tool while you are tired or under the influence of drugs, alcohol or medication.**
A moment of inattention while operating power tools may result in serious personal injury.
- b) **Use personal protective equipment. Always wear eye protection.**
Protective equipment such as a dust mask, non-skid safety shoes, hard hat, or hearing protection used for appropriate conditions will reduce personal injuries.
- c) **Prevent unintentional starting. Ensure the switch is in the off-position before connecting to power source and/or battery pack, picking up or carrying the tool.**
Carrying power tools with your finger on the switch or energising power tools that have the switch on invites accidents.
- d) **Remove any adjusting key or wrench before turning the power tool on.**
A wrench or a key left attached to a rotating part of the power tool may result in personal injury.
- e) **Do not overreach. Keep proper footing and balance at all times.**
This enables better control of the power tool in unexpected situations.
- f) **Dress properly. Do not wear loose clothing or jewellery. Keep your hair and clothing away from moving parts.**
Loose clothes, jewellery or long hair can be caught in moving parts.
- g) **If devices are provided for the connection of dust extraction and collection facilities, ensure these are connected and properly used.**
Use of dust collection can reduce dust-related hazards.
- h) **Do not let familiarity gained from frequent use of tools allow you to become complacent and ignore tool safety principles.**
A careless action can cause severe injury within a fraction of a second.
- 4) **Power tool use and care**
- a) **Do not force the power tool. Use the correct power tool for your application.**
The correct power tool will do the job better and safer at the rate for which it was designed.
- b) **Do not use the power tool if the switch does not turn it on and off.**
Any power tool that cannot be controlled with the switch is dangerous and must be repaired.
- c) **Disconnect the plug from the power source and/or remove the battery pack, if detachable, from the power tool before making any adjustments, changing accessories, or storing power tools.**
Such preventive safety measures reduce the risk of starting the power tool accidentally.
- d) **Store idle power tools out of the reach of children and do not allow persons unfamiliar with the power tool or these instructions to operate the power tool.**
Power tools are dangerous in the hands of untrained users.
- e) **Maintain power tools and accessories. Check for misalignment or binding of moving parts, breakage of parts and any other condition that may affect the power tool's operation. If damaged, have the power tool repaired before use.**
Many accidents are caused by poorly maintained power tools.
- f) **Keep cutting tools sharp and clean.**
Properly maintained cutting tools with sharp cutting edges are less likely to bind and are easier to control.
- g) **Use the power tool, accessories and tool bits etc. in accordance with these instructions, taking into account the working conditions and the work to be performed.**
Use of the power tool for operations different from those intended could result in a hazardous situation.
- h) **Keep handles and grasping surfaces dry, clean and free from oil and grease.**
Slippery handles and grasping surfaces do not allow for safe handling and control of the tool in unexpected situations.
- 5) **Battery tool use and care**
- a) **Recharge only with the charger specified by the manufacturer.**
A charger that is suitable for one type of battery pack may create a risk of fire when used with another battery pack.
- b) **Use power tools only with specifically designated battery packs.**
Use of any other battery packs may create a risk of injury and fire.
- c) **When battery pack is not in use, keep it away from other metal objects, like paper clips, coins, keys, nails, screws or other small metal objects, that can make a connection from one terminal to another.**
Shorting the battery terminals together may cause burns or a fire.

- d) **Under abusive conditions, liquid may be ejected from the battery; avoid contact. If contact accidentally occurs, flush with water. If liquid contacts eyes, additionally seek medical help.**
Liquid ejected from the battery may cause irritation or burns.
- e) **Do not use a battery pack or tool that is damaged or modified.**
Damaged or modified batteries may exhibit unpredictable behaviour resulting in fire, explosion or risk of injury.
- f) **Do not expose a battery pack or tool to fire or excessive temperature.**
Exposure to fire or temperature above 265 °F may cause explosion.
- g) **Follow all charging instructions and do not charge the battery pack or tool outside the temperature range specified in the instructions.**
Charging improperly or at temperatures outside the specified range may damage the battery and increase the risk of fire.
- 6) **Service**
- a) **Have your power tool serviced by a qualified repair person using only identical replacement parts.**
This will ensure that the safety of the power tool is maintained.
- b) **Never service damaged battery packs.**
Service of battery packs should only be performed by the manufacturer or authorized service providers.

– WARNING –

To reduce the risk of injury, user must read instruction manual.

SPECIFIC SAFETY RULES AND SYMBOLS

1. **Hold the power tool by insulated gripping surfaces, because the sanding surface may contact hidden wiring.**
Cutting a "live" wire may make exposed metal parts of the power tool "live" and could give the operator an electric shock.
2. **Use clamps or another practical way to secure and support the workpiece to a stable platform.**
Holding the work by hand or against your body leaves it unstable and may lead to loss of control.
3. **ALWAYS wear ear protectors when using the tool for extended periods.**
Prolonged exposure to high intensity noise can cause hearing loss.
4. **NEVER** touch the tool bit with bare hands after operation.
5. **ALWAYS** securely grip the Belt Sander.
6. **NEVER touch moving parts.**
NEVER place your hands, fingers or other body parts near the tool's moving parts.
7. **NEVER operate without all guards in place.**
NEVER operate this tool without all guards or safety features in place and in proper working order. If maintenance or servicing requires the removal of a guard or safety feature, be sure to replace the guard or safety feature before resuming operation of the tool.
8. **Use right tool.**
Don't force small tool or attachment to do the job of a heavy-duty tool.
Don't use tool for purpose not intended—for example— don't use circular saw for cutting tree limbs or logs.
9. **NEVER use a power tool for applications other than those specified.**
NEVER use a power tool for applications other than those specified in the Instruction Manual.
10. **Handle tool correctly.**
Operate the tool according to the instructions provided herein. Do not drop or throw the tool. **Never** allow the tool to be operated by children, individuals unfamiliar with its operation or unauthorized personnel.
11. **Keep all screws, bolts and covers tightly in place.**
Keep all screws, bolts, and plates tightly mounted. Check their condition periodically.
12. **Do not use power tools if the plastic housing or handle is cracked.**
Cracks in the tool's housing or handle can lead to electric shock. Such tools should not be used until repaired.
13. **Sanding belt and accessories must be securely mounted to the tool.**
Prevent potential injuries to yourself or others. Sanding belt and accessories which have been mounted to the tool should be secure and tight.
14. **Keep motor air vent clean.**
The tool's motor air vent must be kept clean so that air can freely flow at all times. Check for dust build-up frequently.
15. **NEVER use a tool which is defective or operating abnormally.**
If the tool appears to be operating unusually, making strange noises, or otherwise appears defective, stop using it immediately and arrange for repairs by a metabo HPT authorized service center.
16. **NEVER leave tool running unattended. Turn power off.**
Don't leave tool until it comes to a complete stop.



17. Carefully handle power tools.

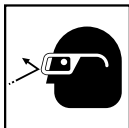
Should a power tool be dropped or struck against hard materials inadvertently, it may be deformed, cracked, or damaged.

18. Do not wipe plastic parts with solvent.

Solvents such as gasoline, thinner benzene, carbon tetrachloride, and alcohol may damage and crack plastic parts. Do not wipe them with such solvents.

Wipe plastic parts with a soft cloth lightly dampened with soapy water and dry thoroughly.

19. ALWAYS wear eye protection that meets the requirement of the latest revision of ANSI Standard Z87.1.



20. NEVER leave the belt sander on a table, the floor, etc. while it is spinning.

21. NEVER apply water or lubricating oil, otherwise hazards from electrical shocks may result.

22. ALWAYS operate the belt sander safely for correct use.

This belt sander is a portable dry plane surface sander that was designed for finishing wood and metal surfaces and ground coats.

23. Make sure that there are no cracks, scratches, or other abnormalities on the pad before use.

24. Use the sanding belt and accessories specified by metabo HPT.

25. Do not leave the tool running. Operate the tool only when hand-held.

26. When operating the tool, do not wear work gloves as such cloth wear can get caught in the tool.

27. When working at elevated locations, clear the area of other people and aware of conditions below you.

28. When sanding metal, sparks are generated. Keep other persons and flammable substances away from the work area.

29. ALWAYS wear a protective mask when operating the random orbit sander.

Ventilate your work area adequately when you perform sanding operations.

30. Align the inside arrow mark on the sanding belt with the corresponding mark on the tool.

31. Sanding by applying impact and cutting by side-of-belt contact should be avoided.

32. Be careful of sanding sparks.

33. As certain that the sanding workpiece contains neither nails nor other harmful foreign matter.

34. Sanding glass fiber not recommended.

35. After operation, blow away the dust on the belt and the pulleys.

36. Place the workpiece on a stable surface when sanding.

37. Do not sand a steel plate for extended periods while applying excessive pressure.

There is a risk that hot sanding particles could damage the dust bag.

38. Check to confirm that the sanding belt is free of cracks or other damage before use.

39. Definitions for symbols used on this tool

Vvolts

==direct current

Nono load speed

--/minrevolutions or reciprocation per minute

In the following cases, clean the dust bag and fully remove any dust.

Dust remaining in the dust bag may cause ignition.

● Sanding steel sheets after sanding materials such as wood

● After completing sanding work

Do not throw sanding dust on an open fire because materials in fine particle form may be explosive:

40. Because the cordless power tool operates by battery power, be aware of the fact that it can begin to operate at any time.

41. When working at elevated locations, clear the area of other people and aware of conditions below you.

42. Do not use the product if the tool or the battery terminals (battery mount) are deformed.

Installing the battery could cause a short circuit that could result in smoke emission or ignition.

43. Keep the tool's terminals (battery mount) free of swarf and dust.

○ Prior to use, make sure that swarf and dust have not collected in the area of the terminals.

○ During use, try to avoid swarf or dust on the tool from falling on the battery.

○ When suspending operation or after use, do not leave the tool in an area where it may be exposed to falling swarf or dust.

Doing so could cause a short circuit that could result in smoke emission or ignition.

44. Always use the tool and battery at temperatures between 23°F (-5°C) and 104°F (40°C).

IMPORTANT SAFETY INSTRUCTIONS FOR CHARGER OR ADAPTER

The term "charger or adapter" in the safety instructions refers to your battery charger or AC/DC adapter.

⚠ WARNING

Death or serious bodily injury could result from improper or unsafe use of charger or adapter. To avoid these risks, follow these basic safety instructions:

READ ALL INSTRUCTIONS

1. This manual contains important safety and operating instructions for battery charger Model UC18YFSL or AC/DC adapter Model ET36A.

2. Before using charger or adapter, read all instructions and cautionary markings on (1) charger or adapter, (2) battery, and (3) product using battery.

3. When charging the battery with a battery charger, reduce the risk of injury by charging metabo HPT rechargeable battery multi volt type series and BSL18 series. Other type of batteries may burst causing personal injury and damage.
4. Do not expose charger or adapter to rain or snow.
5. Use of an attachment not recommended or sold by the charger or adapter manufacturer may result in a risk of fire, electric shock, or injury to persons.
6. To reduce risk of damage to electric plug and cord, pull by plug when disconnecting charger or adapter.
7. Make sure cord is located so that it will not be stepped on, tripped over, or otherwise subjected to damage or stress.
8. An extension cord should not be used unless absolutely necessary. Use of improper extension cord could result in a risk of fire and electric shock.
If extension cord must be used make sure:
 - a. That blades of extension cord are the same number, size, and shape as those of plug on charger or adapter;
 - b. That extension cord is properly wired and in good electrical condition; and
 - c. That wire size is large enough for AC ampere rating of charger or adapter as specified in Table 1.

Table 1
RECOMMENDED MINIMUM AWG SIZE FOR
EXTENSION CORDS FOR CHARGER OR ADAPTER

AC Input Rating Amperes*		AWG Size of Cord			
Equal to or greater than	but less than	Length of Cord, Feet (Meter)			
		25 (7.5)	50 (15)	100 (30)	150 (45)
0	2	18	18	18	16
2	3	18	18	16	14
3	4	18	18	16	14

* If the input rating of a charger or adapter is given in watts rather than in amperes, the corresponding ampere rating is to be determined by dividing the wattage rating by the voltage rating—for example:

$$\frac{1,250 \text{ watts}}{125 \text{ volts}} = 10 \text{ amperes}$$

9. Do not operate charger or adapter with damaged cord or plug—replace them immediately.
10. Do not operate charger or adapter if it has received a sharp blow, been dropped, or otherwise damaged in any way; take it to a qualified serviceman.
11. Do not disassemble charger or adapter; take it to a qualified serviceman when service or repair is required. Incorrect reassembly may result in a risk of electric shock or fire.
12. To reduce risk of electric shock, unplug charger or adapter from receptacle before attempting any maintenance or cleaning. Removing the battery will not reduce this risk.
13. This AC/DC adapter is for use only with specific tools, including SB3608DA. The adapter might be suitable for use with other metabo HPT battery operated tools. It is necessary to confirm suitability by referencing the instruction manual of the specific tool or by consulting our web site <https://www.metabo-hpt.com/>. Failure to confirm suitability before using the adapter with specific tools could result in fire hazard.

**IMPORTANT SAFETY INSTRUCTIONS
FOR USE OF THE BATTERY AND
CHARGER OR ADAPTER**

You must charge the battery before you can use the power tool. Before using the model UC18YFSL battery charger, be sure to read all instructions and cautionary statements on it, the battery and in this manual.

⚠ CAUTION
USE ONLY metabo HPT BATTERY MODELS OF THE MULTI VOLT SERIES. OTHER TYPES OF BATTERIES MAY BURST AND CAUSE INJURY!

Follow these instructions to avoid the risk of injury:

⚠ WARNING
Improper use of the battery or battery charger can lead to serious injury. To avoid these injuries:

1. **NEVER** disassemble the battery or AC/DC adapter.
2. **NEVER** incinerate the battery or AC/DC adapter, even if it is damaged or is completely worn out. The battery can explode in a fire.
3. **NEVER** short-circuit the battery or AC/DC adapter.
4. **NEVER** insert any objects into the charger or adapter's air vents. Electric shock or damage to the charger or adapter may result.
5. **NEVER** use outdoors. Keep the battery or AC/DC adapter away from direct sunlight and use only where there is low humidity and good ventilation.

6. **NEVER** charge when the temperature is below 32°F (0°C) or above 104°F (40°C). (UC18YFSL)
NEVER use when the temperature is below 32°F (0°C) or above 104°F (40°C). (ET36A)
7. **NEVER** connect two charger or adapter together.
8. **NEVER** insert foreign objects into the hole for the battery or the charger or adapter.
9. **NEVER** use a booster transformer.
10. **NEVER** use DC power.
11. **NEVER** store the battery or charger or adapter in places where the temperature may reach or exceed 104°F (40°C) such as inside metal box or car.
12. **NEVER** expose the battery or charger or adapter to rain or wet conditions.
13. **ALWAYS** operate charger or adapter on standard household electrical power (120 volts). Using the charger or adapter on any other voltage may overheat and damage the charger.
14. **ALWAYS** wait at least 15 minutes between charges to avoid overheating the charger. (UC18YFSL)
15. **ALWAYS** disconnect the power cord from its receptacle when the charger or adapter is not in use.
[The information below applies only to ET36A]
16. Do not use the product if the tool or the AC/DC adapter terminals (AC/DC adapter mount) are deformed. Installing the AC/DC adapter could cause a short circuit that could result in smoke emission or ignition.
17. Keep the tool's terminals (AC/DC adapter mount) free of swarf and dust.
 - Prior to use, make sure that swarf and dust have not collected in the area of the terminals.
 - During use, try to avoid swarf or dust on the tool from falling on the AC/DC adapter.
 - When suspending operation or after use, do not leave the tool in an area where it may be exposed to falling swarf or dust.
Doing so could cause a short circuit that could result in smoke emission or ignition.
18. The product is intended for Use in Pollution Degree 2 or PD2 environments. Operate only in areas of non-conductive pollution. A temporary conductivity caused by condensation is normally expected.
19. This is a precision machine so do not drop or expose to impact.
20. Do not use this product near a pacemaker or other similar implanted device, which may be affected by a magnetic field produced by this product.
21. The adapter, power supply box and the inside of the DC cord generates a boosted high voltage of 380 V so please be careful of the following.
 - Do not disassemble the product.
 - Do not drop or expose to impact.
In the event the product is damaged from strong impact, do not use the product.
 - Do not use the product in areas exposed to rain, snow, iron powder or wet condition.

- Do not touch the product with wet hands.
- Do not spill or pour liquid onto the product.
- Do not pull the cord with excessive force.
- Use the product in a well-ordered work environment.

⚠ CAUTION

1. When the mesh of the vent is plugged by objects such as wood shavings, try to keep the objects out when you clear the mesh.
(If not properly maintained, the temperature protective feature could shut the product off)
2. When the temperature protective feature frequently cuts the power off , do not overload the machine with continued work, but let the machine rest for a little before continuing operation.
3. The machine does get hot. However, this does not indicate an abnormality.
Keep the electricity running and operate the internal fan to cool the machine before carrying it elsewhere. When carrying the product, make sure to use the cord armor. The case may be hot so please be careful.
4. During use, do not pull the cord to move the Box. Doing so may result in damage.
5. Do not use more than a single cord reel of 30 meters. Doing so may result in damage.
6. During use, if the machine stops running after the Box's LED lamp blinks, confirm the power supply environment.
7. Do not drag the cord when using or carrying the machine.
Doing so may tear the cord insulation or break the cord which could result in electric shock.
8. Do not stretch the cord out any more than required.
When using tools such as gardening clippers or circular saws, always make sure of the power cord's position to avoid cutting the cord during operation.
9. To use the AC/DC adapter after it shuts down due to high temperature, disconnect the box's power plug, wait for the LED lamp to go out and then reconnect the box's power plug.
If the machine cuts off even after sufficiently cooling it off with the built-in fan, discontinue use as there may be a problem with the machine.
10. Do not use this product near a radio. Doing so could cause noise from the radio, making it difficult to listen to a broadcast.
11. This is a power source for multi volt products. Do not use with 18 V products or chargers. Doing so could result in damage.
12. Overload behavior may differ when compared with BSL36B18 battery use.
With the battery where the LED should blink on the main unit, the LED on the AC/DC adapter may blink instead.

PRECAUTIONS FOR AC/DC ADAPTER

The adapter equips with the protection function to stop the output. In the cases of 1 to 2 described below, when using this product, even if you are pulling the switch, the motor may stop. This is not the trouble but the result of protection function.

1. If the tool is overloaded, output may stop. In this case, release the switch of tool and eliminate causes of overloading.
2. If the adapter is overheated under overload work, output may stop. In situations like this, discontinue use of the adapter and detach it from the tool. Allow the adapter to cool in a location such as a shaded area with good air circulation.

CAUTION ON LITHIUM-ION BATTERY

To extend the lifetime, the lithium-ion battery equips with the protection function to stop the output.

In the cases of 1 to 3 described below, when using this product, even if you are pulling the switch, the motor may stop. This is not the trouble but the result of protection function.

1. When the battery power remaining runs out, the motor stops.
In such case, charge it up immediately.
2. If the tool is overloaded, the motor may stop. In this case, release the switch of tool and eliminate causes of overloading. After that, you can use it again.
3. If the battery is overheated under overload work, the battery power may stop.
In this case, stop using the battery and let the battery cool. After that, you can use it again.

Furthermore, please heed the following warning and caution.

⚠ WARNING

In order to prevent any battery leakage, heat generation, smoke emission, explosion and ignition beforehand, please be sure to heed the following precautions.

1. Make sure that swarf and dust do not collect on the battery.
 - During work make sure that swarf and dust do not fall on the battery.
 - Make sure that any swarf and dust falling on the power tool during work do not collect on the battery.
 - Do not store an unused battery in a location exposed to swarf and dust.
 - Before storing a battery, remove any swarf and dust that may adhere to it and do not store it together with metal parts (screws, nails, etc.).
2. Do not pierce battery with a sharp object such as a nail, strike with a hammer, step on, throw or subject the battery to severe physical shock.
3. Do not use an apparently damaged or deformed battery.

4. Do not use the battery for a purpose other than those specified.
5. If the battery charging fails to complete even when a specified recharging time has elapsed, immediately stop further recharging.
6. Do not put or subject the battery to high temperatures or high pressure such as into a microwave oven, dryer, or high pressure container.
7. Keep away from fire immediately when leakage or foul odor are detected.
8. Do not use in a location where strong static electricity generates.
9. If there is battery leakage, foul odor, heat generated, discolored or deformed, or in any way appears abnormal during use, recharging or storage, immediately remove it from the equipment or battery charger, and stop use.
10. Do not immerse the battery or allow any fluids to flow inside. Conductive liquid ingress, such as water, can cause damage resulting in fire or explosion. Store your battery in a cool, dry place, away from combustible and flammable items. Corrosive gas atmospheres must be avoided.

⚠ CAUTION

1. If liquid leaking from the battery gets into your eyes, do not rub your eyes and wash them well with fresh clean water such as tap water and contact a doctor immediately.
If left untreated, the liquid may cause eye-problems.
2. If liquid leaks onto your skin or clothes, wash well with clean water such as tap water immediately.
There is a possibility that this can cause skin irritation.
3. If you find rust, foul odor, overheating, discolor, deformation, and/or other irregularities when using the battery for the first time, do not use and return it to your supplier or vendor.

⚠ WARNING

If an electrically conductive foreign object enters the terminals of the lithium ion battery, a short-circuit may occur resulting in the risk of fire. Please observe the following matters when storing the battery.

- **Do not place electrically conductive cuttings, nails, steel wire, copper wire or other wire in the storage case.**
- **Either install the battery in the power tool or store by securely pressing into the battery cover until the ventilation holes are concealed to prevent short-circuits (See Fig. 3).**

REGARDING LITHIUM-ION BATTERY TRANSPORTATION

When transporting a lithium-ion battery, please observe the following precautions.

⚠ WARNING

Notify the transporting company that a package contains a lithium-ion battery, inform the company of its power output and follow the instructions of the transportation company when arranging transport.

- Lithium-ion batteries that exceed a power output of 100 Wh are considered to be in the freight classification of Dangerous Goods and will require special application procedures.
- For transportation abroad, you must comply with international law and the rules and regulations of the destination country.

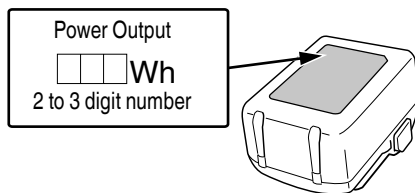


Fig. 1

**SAVE THESE INSTRUCTIONS
AND
MAKE THEM AVAILABLE TO
OTHER USERS
AND
OWNERS OF THIS TOOL!**

FUNCTIONAL DESCRIPTION

NOTE

The information contained in this Instruction Manual is designed to assist you in the safe operation and maintenance of the power tool.

NEVER operate, or attempt any maintenance on the tool unless you have first read and understood all safety instructions contained in this manual.

Some illustrations in this Instruction Manual may show details or attachments that differ from those on your own power tool.

NAME OF PARTS

1. Cordless Belt Sander

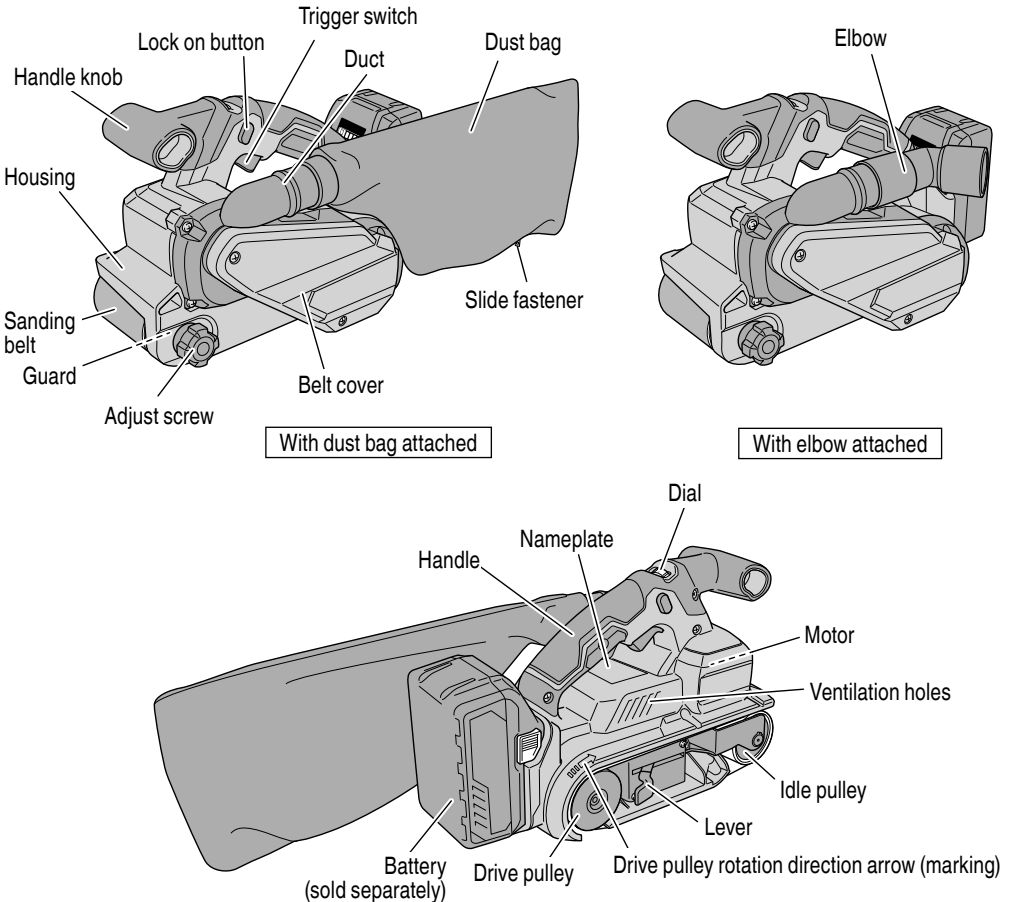
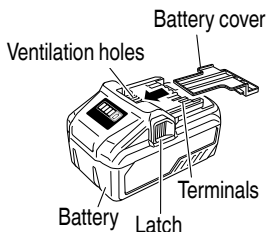


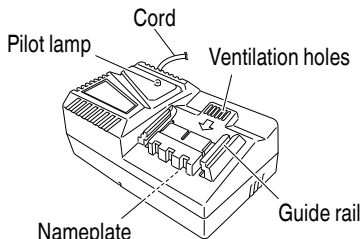
Fig. 2

2. Battery
(optional accessories...sold separately)



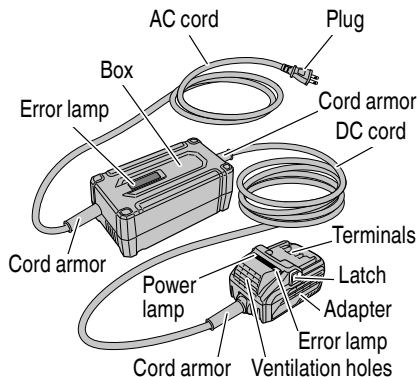
<BSL36B18>
Fig. 3

3. Battery Charger
(optional accessories...sold separately)



<UC18YFSL>
Fig. 4

4. AC/DC Adapter
(optional accessories...sold separately)



<ET36A>
Fig. 5

SPECIFICATIONS

1. Cordless Belt Sander

Model		SB3608DA
Motor		DC brushless motor
Sanding belt size		3" x 21" (76 mm x 533 mm)
No-load belt speed		400-1,475 ft/min (122-450 m/min)
Power supply	Type*	Li-ion battery Model BSL36B18 / AC/DC adapter Model ET36A (sold separately)
	Voltage	36 V
Weight		9.9 lbs. (4.5 kg) (BSL36B18 and dust bag attached)

* Existing batteries (BSL3660/3626/3620, BSL18 and BSL14 series, etc.) cannot be used with this tool. If using the AC/DC adapter, please read and understand its manual before operating the power tool.

2. Battery Charger

Model	UC18YFSL
Input power source	Single phase: AC 120 V 60 Hz
Charging time (At a temperature of 68°F (20°C))	BSL36B18: Approx. 120 min
Charging voltage	DC 14.4–18 V
Charging current	DC 3.5 A
Weight	1.1 lbs. (0.5 kg)

NOTE: The charging time may vary according to temperature and power source voltage.

3. AC/DC Adapter

Model	ET36A
Input power source	Single phase: AC 120 V 60 Hz
Output voltage	36V
Operating temperature range	14°F (-10°C)–104°F (40°C)
Weight	Adapter : 1.8 lbs. (0.8 kg) Box : 2.6 lbs. (1.2 kg)

Electric control

- Braking Function
Brake is activated when the switch is turned off, stopping the motor's rotation.
- Full speed at all times in the range up to rated load
- Soft-start
- Variable speed
- Overload protection
This protection feature cuts off the power to the motor in the event of overloading of motor or a conspicuous reduction in rotational speed during operation. When the overload protection feature has been activated, the motor may stop. In this case, release the tool switch and eliminate causes of overloading. After that you can use it again.
- Overheat protection
This protection feature cuts off the power to the motor and stops the power tool in the event of overheating of motor during operation. When the overheat protection feature has been activated, the motor may stop. In this case, release the tool switch and cool it down in a few minutes. After that you can use it again.
- Restart prevention function
When the power is still switched on, the tool will not restart when a battery is installed. This function can be canceled once the tool is switched off.

ASSEMBLY AND OPERATION

APPLICATIONS

- Sanding finish and flooring finish of woodwork products.
- Base polishing of Lumber-coated planes.
- Sanding finishes of metal surfaces.
- Base polishing of metal-coated planes, rust removal, or paint removal paint to refinishing.
- Surficial finish of slate, concrete, and so on.

INSTALLING AND REMOVING THE BATTERY

⚠ WARNING

Check to confirm that the switch is turned off before inserting the battery into the tool.

Inserting the battery with the switch turned on may cause the tool to malfunction.

- How to install the battery.
Align the battery with the groove in tool and slip it into place.
Always insert it all the way until it locks in place with a little click. If not, it may accidentally fall out of the tool, causing injury to you or someone around you (Fig. 6).
- How to remove the battery.
Withdraw battery from the tool while pressing the latch (2 pcs) of the battery (Fig. 6).

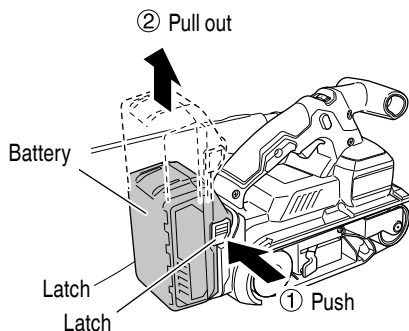


Fig. 6

CHARGING METHOD

NOTE

Before plugging into the receptacle, make sure the following points.

- The power source voltage is stated on the nameplate.
- The cord is not damaged.

⚠ WARNING

Do not charge at voltage higher than indicated on the nameplate.

If charged at voltage higher than indicated on the nameplate, the charger will burn out.

1. Connect the charger's power cord to a receptacle. When the power cord is connected, the charge indicator lamp will blink in red. (At 1-second intervals)



⚠ WARNING

Do not use the electrical cord if damaged. Have it repaired immediately.

2. Insert the battery to the battery charger. Firmly insert the battery into the battery charger as shown in Fig. 7.

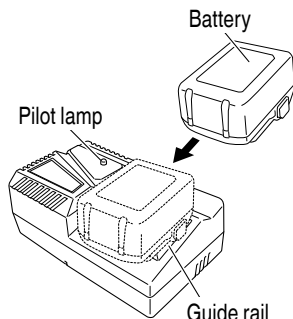


Fig. 7

3. Charging

When inserting a battery in the charger, the pilot lamp will light up continuously in red.

When the battery becomes fully recharged, the pilot lamp will blink in red. (At 1-second intervals.) (See Table 2)

- (1) Lamp indication

The indications of the pilot lamp will be as shown in Table 2, according to the condition of the battery charger or the battery.

Table 2

Indications of the pilot lamp (RED)		
Before charging	Lights on for 0.5 seconds and off for 0.5 seconds Blinks ■ ■ ■	Plugged into power source
While charging	Lights continuously Lights ■■■■■■■■■■	—
Charging complete	Lights on for 0.5 seconds and off for 0.5 seconds Blinks ■ ■ ■	—
Overheat standby	Lights on for 1 second and off for 0.5 seconds Blinks ■■■■■■■■■■	Battery overheated. Unable to charge. (Charging will commence when battery cools)
Charging impossible	Lights on for 0.1 seconds and off for 0.1 seconds Flickers ■■■■■■■■■■	Malfunction in the battery or the charger

- (2) Regarding the temperature of the rechargeable battery.
The temperatures for rechargeable batteries are as shown in the Table 3, and batteries that have become hot should be cooled for a while before being recharged.

Table 3

Rechargeable batteries	Temperatures at which the battery can be recharged
BSL36B18	32°F–122°F (0°C–50°C)

- (3) Regarding recharging time (At 68°F (20°C))

Table 4 Charging time

Battery \ Charger	UC18YFSL
BSL36B18	Approx. 120 min

NOTE

The recharging time may vary according to the ambient temperature.

4. Disconnect battery charger from the receptacle.

⚠ CAUTION
Do not pull the plug out of the receptacle by pulling on the cord.
Make sure to grasp the plug when removing from receptacle to avoid damaging cord.

5. Remove the battery from the battery charger.
Supporting the battery charger with hand, pull out the battery from the battery charger.

NOTE
Be sure to pull out the battery from the battery charger after use, and then keep it.

Regarding electric discharge in case of new batteries, etc.

As the internal chemical substance of new batteries and batteries that have not been used for an extended period is not activated, the electric discharge might be low when using them the first and second time. This is a temporary phenomenon, and normal time required for recharging will be restored by recharging the batteries 2–3 times.

How to make the batteries perform longer

- (1) Recharge the batteries before they become completely exhausted.
When you feel that the power of the tool becomes weaker, stop using the tool and recharge its battery. If you continue to use the tool and exhaust the electric current, the battery may be damaged and its life will become shorter.
- (2) Avoid recharging at high temperatures.
A rechargeable battery will be hot immediately after use. If such a battery is recharged immediately after use, its internal chemical substance will deteriorate, and the battery life will be shortened. Leave the battery and recharge it after it has cooled for a while.

- ⚠ CAUTION**
- When the battery charger has been continuously used, the battery charger will be heated, thus constituting the cause of the failures. Once the charging has been completed, give 15 minutes rest until the next charging.
 - If the battery is charged while it is heated because it has been left for a long time in a location subject to direct sunlight or because the battery has just been used, the pilot lamp of the charger lights for 1 second, does not light for 0.5 seconds (off for 0.5 seconds). The battery will not be recharged. In such a case, let the battery cool before charging.

- When the pilot lamp flickers (at 0.2-second intervals), check for and take out any foreign objects in the charger's battery connector. If there are no foreign objects, it is probable that the battery or charger is malfunctioning. Take it to your authorized Service Center.

PRIOR TO OPERATION

⚠ WARNING

To avoid serious accidents, ensure the switch is in the OFF position, and pull out the battery.

1. Check the work area environment
Check the work area to make sure that it is clear of debris and clutter.
Clear the area of unnecessary personnel. Ensure that lighting and ventilation is adequate.
2. Power switch
Ensure that the switch is in the OFF position.
3. Installing the sanding belt

⚠ CAUTION

Use only sanding belt size specified on the product nameplate.

- (1) Pull lever with finger, idle pulley will then move backward.

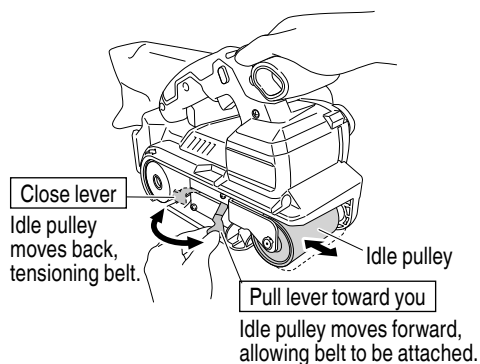


Fig. 8

- (2) Place over the drive pulley and idle pulley, passing it over the outside of the shoe plate, and making sure that the arrow on the inside of the belt coincides with the corresponding mark on the tool.

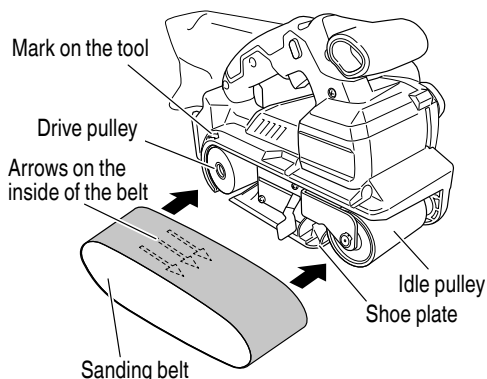


Fig. 9

- (3) Push lever with finger, idle pulley will then move forward and give proper tension to sanding belt. In this case, be careful not to be hit your finger by lever.
Then, adjust sanding belt position. (refer to page 17)

⚠ CAUTION

Sanding belt installed in the wrong direction will lower work efficiency and shorten life of sanding belt.

4. How to remove sanding belt
Pull lever with finger, sanding belt will then sag and can be taken off pulleys easily.

NOTE

- The drive pulley and idle pulley will be hot after use.
 - Use an air blower or similar device to remove any debris from around the pulleys with the sanding belt removed.
5. Attaching and removing the dust bag (Fig. 10)
 - (1) Attaching the dust bag
Insert the dust bag into the duct on the body of the power tool.
 - (2) Removing the dust bag
Hold the duct, and pull out the dust bag.

⚠ WARNING

Clean the dust bag before and after sanding metal, and remove any sanding dust from inside. Metal sanding dust can cause fires.

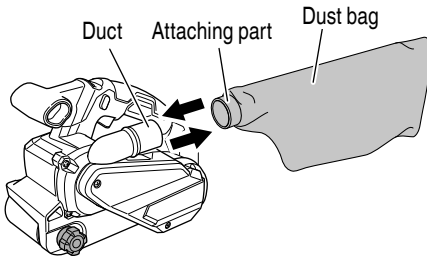


Fig. 10

⚠ WARNING

Prior to the sanding operation, make sure the material of surface you are going to sand. If the surface under sanding operation is expected to generate harmful / toxic dusts such as lead painted surface, make sure the dust bag or appropriate dust extraction system is connected with dust outlet tightly. Wear the dust mask additionally, if available. Do not inhale or touch the harmful / toxic dusts generated in sanding operation, the dust can endanger the health of yourself and bystanders.

⚠ CAUTION

If too much dust accumulates in the dust bag, the dust collection power will be reduced. Dispose of dust as soon as possible.

6. Attaching and Removing the Elbow (Fig. 11)
 Attach the elbow to the duct before use. Adjust the angle of the elbow so that the dust is discharged away from your body.

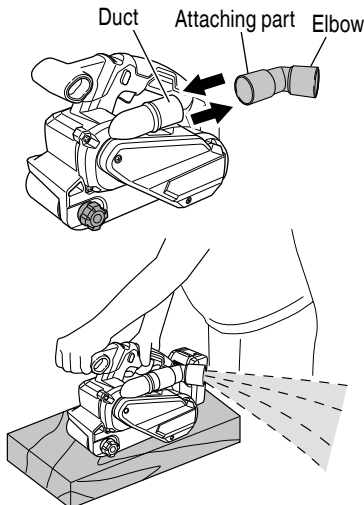


Fig. 11

7. About the mode change function
 The unit has "Transmission mode" and "Auto mode".
- With Transmission mode, the belt sander's number of revolutions can be set at one of five stages. When operating in Transmission mode, the set number of revolutions will be maintained regardless of changes in load.
 - With Auto mode, you can lower noise and vibration by lowering the maximum number of revolutions while in a no-load state. While in Auto mode, the number of revolutions will be raised if the load becomes greater during operation. On the other hand, the number of revolutions will be lowered if the load decreases during operation. (Table 5)
 - Set the mode using the dial according to work application (Fig. 12)

Table 5

Dial setting	Belt speed
1	400 ft/min
2	710 ft/min
3	1,020 ft/min
4	1,320 ft/min
5	1,475 ft/min
A	400 ft/min (No load)
	1,475 ft/min (With load)

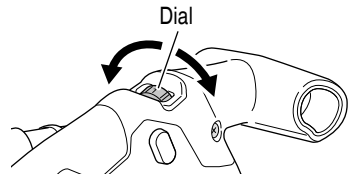


Fig. 12

8. Check battery insertion

⚠ CAUTION
 Until the battery locks in place with a little click, if not, it may accidentally fall out of the tool causing injury to you or someone around you.

OPERATION

⚠ WARNING

- Be sure to turn off the switch, then remove the battery from the tool in the following situations:
 - When stopping or ending work
 - When attaching or removing accessories or optional parts
 - When maintaining, inspecting, or storing the tool

⚠ CAUTION

- To extend the lifetime, the tool and the lithium-ion battery are equipped with a protection function to stop the output. Therefore, if the tool is overloaded, the motor may stop. However, this is not the trouble but the result of protection function. In this case, release the switch of tool and eliminate the causes of overloading. Additionally, refer to “CAUTION ON LITHIUM-ION BATTERY”. If it still does not run, request repairs from a metabo HPT authorized service center.

⚠ WARNING

Never apply water or grinding fluid when sanding. This could result in electrical shock.

1. How to adjust sanding position

Adjust sanding belt so that the edge protrudes 1/16"–1/8" (1.6 mm–3 mm) past edges of pulleys.

If sanding belt is operated too far on the inside, it may cause abrasion and damage machine. Adjust sanding belt position by turning adjust screw (Fig. 13)

- Turn adjust screw clockwise to move belt in.
- Turn adjust screw counterclockwise to move belt out.

⚠ WARNING

- If the sanding belt is positioned too close to the inside, it may come into contact with the guard, producing sparks.
- Do not peer inside between the sanding belt and housing. Doing so risks dust or other debris entering your eyes.

NOTE

- If sanding belt moves during operation, adjustment can be made while in operation.
- Setting the dial to low speed (e.g., mode 1) makes it easier to adjust.
- If the sanding belt is positioned too close to the inside, it may come into contact with the guard, causing the belt to tear.

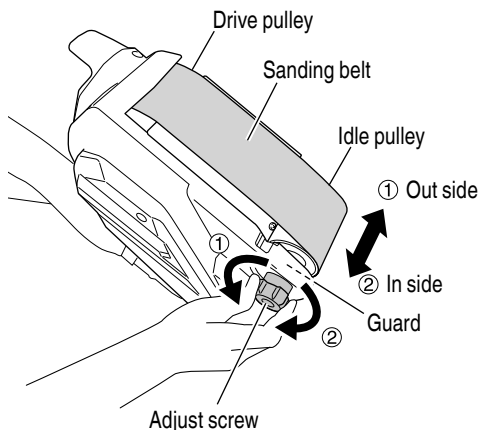


Fig. 13

2. How to hold the belt sander

Grasp handle and handle knob and hold machine against surface to be worked on so that it contacts surface lightly.

Hold both handles firmly, and take great care to keep your fingers away from the pulleys and sanding belt while working.

Weight of machine itself is sufficient for sanding and polishing at highest efficiency.

Do not apply any additional pressure, for this would place unnecessary load on motor, shorten life of sanding belt and lower work efficiency. (Fig. 14)

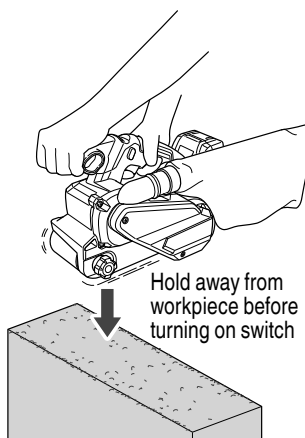


Fig. 14

3. How to move the belt sander

Move machine forward first and then backward, repeating this motion. (Fig. 14)

4. How to select proper sanding belt
Choose sanding belt of proper grain size and grain type for your specific purpose, by referring to Table 6 and 7 below.

Table 6

Derived finish	Proper grain size
Coarse finish	30-40
Medium finish	40-100
Semi fine finish	80-240
Fine finish	180-400

Table 7

Grain type	Surface to be worked on
AA	Steel, Wood
WA	Wood, Bamboo

- For grain sizes, refer to Table 6.
- Sanding belt grain should be coarser than sandpaper used for manual work.
- Use sanding belt of same grain size until uniform surface is obtained. Changing grain sizes may result in poor finish.

5. Switching the sander ON and OFF (Fig. 15)
The power switch is turned ON when the trigger is pulled, and if the lock-on button is once depressed, the power switch becomes locked, allowing continuous operation.
The lock-on button can be released pulling the trigger. (Fig. 15)

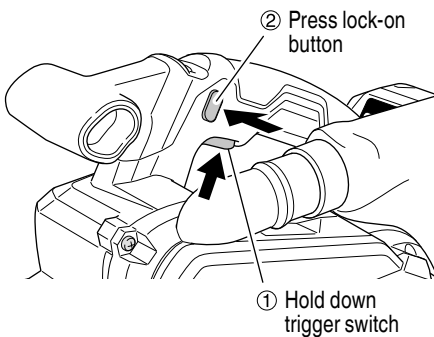


Fig. 15

Never turn the power switch ON when the sander is contacting the surface to be sanded. This is necessary to preclude damage to the material. The same applies when switching the power OFF.

6. How to work on corner
Corners can be sanded and polished by using machine as in Fig. 16.

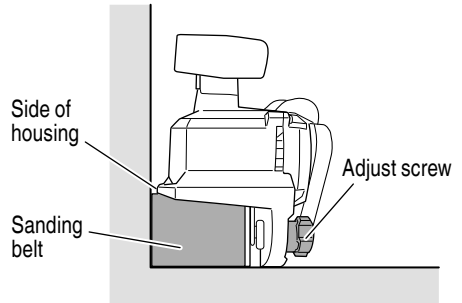


Fig. 16

⚠ CAUTION

- Immediately after use, always ensure that the switch is in the OFF position and pull out the battery.
- Since the sander may suck in dust and debris, be careful not to place it where there is much dust and debris when it is still spinning right after use.
- Do not operate the tool without the sanding belt fitted. Doing so may damage the pulleys.

ATTACHING THE DUST COLLECTOR

⚠ WARNING

- For details on how to use the dust collector and the type of dust that can be collected, read the dust collector instruction manual carefully.
Attaching the elbow to the duct on the tool enables the metabo HPT power tool dust collector to be connected. (Fig. 17)

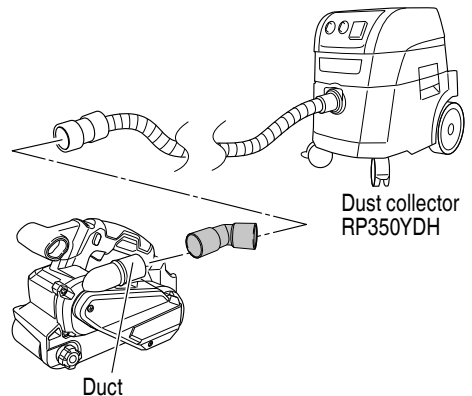


Fig. 17

ABOUT REMAINING BATTERY INDICATOR

You can check the battery's remaining capacity by pressing the remaining battery indicator switch to light the indicator lamp. (Fig. 18, Table 8)

The indicator will shut off approximately 3 seconds after the remaining battery indicator switch is pressed.

It is best to use the remaining battery indicator as a guide since there are slight differences such as ambient temperature and the condition of the battery.

Also, the remaining battery indicator may vary from those equipped to a tool or charger.

Remaining battery indicator lamp Remaining battery indicator switch

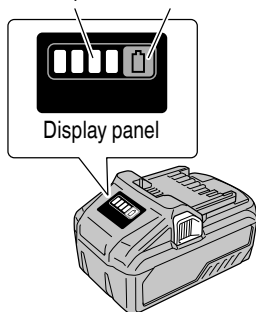


Fig. 18

Table 8

State of lamp	Battery Remaining Power
	Lights ; The battery remaining power is over 75%.
	Lights ; The battery remaining power is 50% – 75%.
	Lights ; The battery remaining power is 25% – 50%.
	Lights ; The battery remaining power is less than 25%.
	Blinks ; The battery remaining power is nearly empty. Recharge the battery soonest possible.
	Blinks ; Output suspended due to high temperature. Remove the battery from the tool and allow it to fully cool down.
	Blinks ; Output suspended due to failure or malfunction. The problem may be the battery so please contact your dealer.












As the remaining battery indicator shows somewhat differently depending on ambient temperature and battery characteristics, read it as a reference.

NOTE

Do not give a strong shock to the switch panel or break it. It may lead to a trouble.

ABOUT ERROR LAMP OF AC/DC ADAPTER

Table 9

Indications of the indicator lamp						
	Status	Power Lamp (GREEN)	Error lamp (RED)		Indicates	
Adapter	Before use	Blinks 	Light off 		Plugged into power source	
	Power on	Lights 	Light off 		Tool can be used	
	Power suspended	Blinks 	Blinks 	Lights for 0.5 seconds. Does not light for 0.5 seconds. (off for 0.5 seconds) 		Adapter cannot be used due to high temperature. (Can be used once the adapter is cooled)
		Lights 		Lights for 0.1 seconds. Does not light for 0.1 seconds. (off for 0.1 seconds) 		Overload
Box	Power suspended	/	Blinks 	Lights for 0.5 seconds. Does not light for 0.5 seconds. (off for 0.5 seconds) 	Cannot be used because the temperature in the box is too high (Can be used once the box is cooled)	

MAINTENANCE AND INSPECTION

⚠ WARNING

- **Be sure to turn off the switch and pull out the battery before doing any inspection or maintenance.**

1. Emptying and cleaning the dust bag (Fig. 19)
 - (1) Hold the duct, and pull out the dust bag.
 - (2) The bag inlet can be opened by unzipping the slide fastener.

If the dust bag contains too much dust, dust collection will be affected. Empty the dust bag as soon as possible when it gets full.

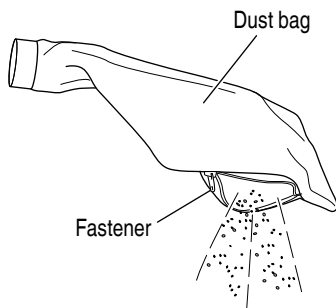


Fig. 19

2. Inspecting the sanding belt

The abrasive performance of the sanding belt will decrease if its abrasive particles become worn away or clogged, greatly reducing the efficiency of the tool. If this occurs, replace with a new sanding belt.
 3. Inspecting the screws

Regularly inspect all screws and ensure that they are fully tightened. Should any of the screws be loosened, retighten them immediately.
- ⚠ **CAUTION**
Using this power tool with loosened screws is extremely dangerous.
4. Maintenance of the motor

The motor unit winding is the very "heart" of the power tool. Exercise due care to ensure the winding does not become damaged and/or wet with oil or water.

5. Inspection of terminals (tool and battery)

Check to make sure that swarf and dust have not collected on the terminals.
 On occasion check prior, during and after operation.

⚠ CAUTION

Remove any swarf or dust which may have collected on the terminals.
 Failure to do so may result in malfunction.

6. Check for dust

⚠ WARNING

Wear protective glasses and a dust mask when cleaning the dust bag with an air gun.
Failure to do so may result in inhalation or exposure of the eyes to debris or dust.

Use an air gun or other similar tool to remove materials, chips, etc. which have adhered to the body, and wipe with a soft dry cloth or a cloth moistened with soapy water. Do not use chloric solvents, gasoline or paint thinner, for they melt plastics.

7. Disposal of the exhausted battery

⚠ WARNING

Do not dispose of the exhausted battery. The battery must explode if it is incinerated. The battery is recyclable. At the end of its useful life, under various state and local laws, it may be illegal to dispose of this battery into the municipal waste stream. Check with your local solid waste officials for details in your area for recycling options or proper disposal.

8. Storage

Store the power tool and the battery in a place in which the temperature is less than 40°C and out of reach of children.

NOTE

Storing lithium-ion batteries
 Make sure the lithium-ion batteries have been fully charged before storing them.
 Prolonged storage (3 months or more) of batteries with a low charge may result in performance deterioration, significantly reducing battery usage time or rendering the batteries incapable of holding a charge.

However, significantly reduced battery usage time may be recovered by repeatedly charging and using the batteries two to five times.

If the battery usage time is extremely short despite repeated charging and use, consider the batteries dead and purchase new batteries.

9. Service and repairs

All quality power tools will eventually require servicing or replacement of parts because of wear from normal use. To assure that only authorized replacement parts will be used, all service and repairs must be performed by a metabo HPT AUTHORIZED SERVICE CENTER, ONLY.

⚠ CAUTION

In the operation and maintenance of power tools, the safety regulations and standards prescribed in each country must be observed.

Important notice on the batteries for the metabo HPT cordless power tools

Please always use one of our designated genuine batteries. We cannot guarantee the safety and performance of our cordless power tool when used with batteries other than these designated by us, or when the battery is disassembled and modified (such as disassembly and replacement of cells or other internal parts).

ACCESSORIES

⚠ WARNING

ALWAYS use Only authorized metabo HPT replacement parts and accessories. Never use replacement parts or accessories which are not intended for use with this tool. Contact metabo HPT if you are not sure whether it is safe to use a particular replacement part or accessory with your tool. The use of any other attachment or accessory can be dangerous and could cause injury or mechanical damage.

NOTE

Accessories are subject to change without any obligation on the part of the metabo HPT.

STANDARD ACCESSORIES

SB3608DA (NN)	<input type="radio"/> Endless sanding belt (WA#80) (Code No. 939733)	1
	<input type="radio"/> Dust bag (Code No. 379358M)	1
	<input type="radio"/> Elbow (Code No. 379359)	1
Battery, Battery charger and Battery cover are not contained.		

OPTIONAL ACCESSORIES sold separately

(1) Endless sanding belt

Code No.	Grain size	Grain type	Belt size
939731	40	WA	3" x 21" (76 mm x 533 mm)
939732	60		
939733	80		
939734	100		
939735	120		
939736	150		
939737	180		
939738	240		
939739	30	AA	
939740	40		
939741	60		
939742	80		
939743	100		
939744	120		
939745	150		
939746	180		
939747	240		
939748	320		
939749	400		

(2) Battery (BSL36A18, BSL36B18)

(3) Battery charger (UC18YFSL)

(4) Battery cover (Code No. 329897)

(5) AC/DC adapter (ET36A)

NOTE

Specifications are subject to change without any obligation on the part of the metabo HPT.

INFORMATIONS IMPORTANTES DE SÉCURITÉ

Lire et comprendre toutes les précautions de sécurité, les avertissements et les instructions de fonctionnement dans ce mode d'emploi avant d'utiliser ou d'entretenir cet outil motorisé.

La plupart des accidents causés lors de l'utilisation ou de l'entretien de l'outil motorisé proviennent d'un non respect des règles ou précautions de base de sécurité. Un accident peut la plupart du temps être évité si l'on reconnaît une situation de danger potentiel avant qu'elle ne se produise, et en observant les procédures de sécurité appropriées.

Les précautions de base de sécurité sont mises en évidence dans la section "SECURITE" de ce mode d'emploi et dans les sections qui contiennent les instructions de fonctionnement et d'entretien.

Les dangers qui doivent être évités pour prévenir des blessures corporelles ou un endommagement de la machine sont identifiés par AVERTISSEMENTS sur l'outil motorisé et dans ce mode d'emploi.

NE JAMAIS utiliser cet outil motorisé d'une manière qui n'est pas spécifiquement recommandée par metabo HPT.

SIGNIFICATION DES MOTS D'AVERTISSEMENT

AVERTISSEMENT indique des situations potentiellement dangereuses qui, si elles sont ignorées, pourraient entraîner la mort ou de sérieuses blessures.

PRÉCAUTION indique des situations dangereuses potentielles qui, si elles ne sont pas évitées, peuvent entraîner de mineures et légères blessures ou endommager la machine.

REMARQUE met en relief des informations essentielles.

SECURITE

AVERTISSEMENTS DE SÉCURITÉ GÉNÉRAUX CONCERNANT LES OUTILS ÉLECTRIQUES

⚠ AVERTISSEMENT:

Lire toutes les consignes de sécurité, instructions, illustrations et spécifications fournies avec le présent outil électrique.

Le non-respect de toutes les instructions ci-dessous peut entraîner une décharge électrique, un incendie et/ou de graves blessures.

Conservez tous les avertissements et toutes les instructions pour vous y référer ultérieurement.

Le terme "outil électrique", utilisé dans les avertissements, se réfère aux outils électriques (câblé) ou aux outils à piles (sans fil).

1) Sécurité de l'aire de travail

a) Maintenir l'aire de travail propre et bien éclairée.

Les endroits encombrés ou sombres sont propices aux accidents.

b) Ne pas utiliser d'outils électriques en présence de liquides, gaz ou poussière inflammables, au risque de provoquer une explosion.

Les outils électriques créent des étincelles susceptibles d'enflammer la poussière.

c) Ne pas laisser les enfants et les visiteurs s'approcher de vous lorsque vous utilisez un outil électrique.

Les distractions peuvent faire perdre le contrôle.

2) Sécurité électrique

a) Les prises de l'outil électrique doivent correspondre à la prise secteur.

Ne jamais modifier la prise.

Ne pas utiliser d'adaptateurs avec les outils électriques mis à la masse.

Les prises non modifiées et les prises secteurs correspondantes réduisent les risques de choc électrique.

b) Éviter tout contact avec les surfaces mises à la masse, telles que les tuyaux, radiateurs, bandes et réfrigérateurs.

Le risque de choc électrique est accru en cas de mise à la masse du corps.

c) Ne pas exposer les outils électriques à la pluie ou à des conditions humides.

Si l'eau pénètre dans l'outil, cela augmente les risques de choc électrique.

d) Ne pas utiliser le cordon à tort. Ne jamais utiliser le cordon pour transporter ou débrancher l'outil électrique.

Maintenir le cordon loin de la chaleur, de l'huile, des bords pointus ou des pièces mobiles.

Les cordons endommagés ou usés augmentent les risques de choc électrique.

- e) **En cas d'utilisation d'un outil électrique à l'extérieur, utiliser un cordon de rallonge adapté à un usage extérieur.**
L'utilisation d'un cordon adapté à l'usage extérieur réduit les risques de choc électrique.
- f) **Si vous devez utiliser un outil électrique dans un endroit humide, utilisez une alimentation protégée contre les courants résiduels.**
L'utilisation d'un dispositif de protection contre les courants résiduels réduit le risque de choc électrique.
- 3) **Sécurité personnelle**
- a) **Restez alerte, regarder ce que vous faites et usez de votre bon sens en utilisant un outil électrique.**
Ne pas utiliser d'outil électrique si vous êtes sous l'influence de drogues, d'alcool ou de médicaments.
Pendant l'utilisation d'outils électrique, un instant d'inattention peut entraîner des blessures graves.
- b) **Utiliser un équipement de protection individuelle. Toujours porter des verres de protection.**
L'utilisation d'équipements de protection tels que les masques anti-poussière, les chaussures de sécurité anti-dérapantes, les casques ou les protections auditives dans des conditions appropriées réduisent les risques de blessures.
- c) **Empêcher les démarrages intempestifs. Veiller à ce que l'interrupteur soit en position d'arrêt avant de brancher à une source d'alimentation et/ou une batterie, de ramasser l'outil au sol ou de le transporter.**
Transporter les outils électriques avec le doigt sur l'interrupteur ou brancher les outils électriques avec l'interrupteur en position de marche peut entraîner des accidents.
- d) **Retirer toute clé de sécurité ou clé avant de mettre l'outil électrique en marche.**
Laisser une clé ou une clé de sécurité sur une partie mobile de l'outil électrique peut engendrer des blessures.
- e) **Ne pas trop se pencher. Toujours garder une bonne assise et un bon équilibre pendant le travail.**
Cela permet un meilleur contrôle de l'outil électrique dans des situations imprévisibles.
- f) **Porter des vêtements adéquats. Ne pas porter de vêtements amples ni de bijoux. Maintenir les cheveux et les vêtements loin des pièces mobiles.**
Les vêtements amples ou les cheveux longs peuvent se prendre dans les pièces mobiles.
- g) **En cas de dispositifs destinés au raccordement d'installations d'extraction et de recueil de la poussière, veiller à ce qu'ils soient correctement raccordés et utilisés.**
- L'utilisation d'un dispositif de collecte de la poussière peut réduire les dangers associés à la poussière.
- h) **Ne pas laisser la familiarité due à une utilisation fréquente des outils vous faire baisser la garde et ignorer les principes de sécurité de l'outil.**
Une fraction de seconde d'inattention peut causer de graves blessures.
- 4) **Utilisation et entretien d'un outil électrique**
- a) **Ne pas forcer sur l'outil électrique. Utiliser l'outil électrique adapté à vos travaux.**
Le bon outil électrique fera le travail mieux et en toute sécurité au régime pour lequel il a été conçu.
- b) **Ne pas utiliser l'outil électrique si l'interrupteur ne le met pas en position de marche et d'arrêt.**
Tout outil ne pouvant être contrôlé par l'interrupteur est dangereux et doit être réparé.
- c) **Débrancher la fiche de la source d'alimentation et/ou retirer la batterie, si elle est amovible, de l'outil électrique avant de procéder à tout réglage, changer d'accessoires ou ranger les outils électriques.**
Ces mesures préventives de sécurité réduisent les risques de démarrage accidentel de l'outil électrique.
- d) **Stockez les outils électriques inutilisés hors de la portée des enfants et ne pas laisser des personnes non familiarisées avec l'outil ou ces instructions utiliser l'outil électrique.**
Les outils électriques sont dangereux entre les mains d'utilisateurs non habilités.
- e) **Entretien des outils électriques et les accessoires. Contrôler tout mauvais alignement ou grippage des pièces mobiles, toute rupture de pièces et toute autre situation pouvant affecter le fonctionnement de l'outil électrique. Faire réparer l'outil électrique endommagé avant toute utilisation.**
De nombreux accidents sont dus à des outils mal entretenus.
- f) **Maintenir les outils coupants aiguisés et propres.**
Des outils coupants bien entretenus avec des bords aiguisés sont moins susceptibles de se coincer et plus simples à contrôler.
- g) **Utiliser l'outil électrique, les accessoires et les mèches de l'outil, etc. conformément à ces instructions en tenant compte des conditions d'utilisation et du travail à réaliser.**
L'utilisation de l'outil électrique pour des opérations différentes de celles pour lesquelles il a été conçu est dangereuse.

- h) **Conserver les poignées et les surfaces de prise sèches, propres et exemptes d'huile et de graisse.**
Des poignées et des surfaces de prise glissantes ne permettent pas une manipulation sûre et la maîtrise de l'outil en cas de situations imprévues.
- 5) **Utilisation et entretien de la batterie**
- a) **Recharger la batterie uniquement avec le chargeur recommandé par le fabricant.**
Un chargeur inadéquat pour le type de batterie peut entraîner un risque d'incendie en cas d'utilisation avec une autre batterie.
- b) **Utiliser les outils électriques uniquement avec les batteries spécifiées.**
L'utilisation d'autres batteries peut entraîner un risque de blessures et d'incendie.
- c) **Lorsque la batterie est inutilisée, la garder à l'écart d'objets métalliques comme des trombones, des pièces de monnaie, des clés, des clous, des vis ou autres petits objets métalliques pouvant raccorder les bornes.**
La connexion des bornes peut entraîner des blessures ou un incendie.
- d) **En cas d'utilisation dans des conditions extrêmes, du liquide peut être émis de la batterie. Éviter tout contact, en cas de contact accidentel, rincer à l'eau. Si le liquide entre en contact avec les yeux, consulter un médecin.**
Le liquide émis par la batterie peut entraîner des irritations et des brûlures.
- e) **Ne pas utiliser une batterie ou un outil endommagé ou modifié.**
Des batteries endommagées ou modifiées peuvent se comporter de façon imprévisible, entraînant un risque d'incendie, d'explosion ou de blessure.
- f) **Ne pas exposer une batterie ou un outil au feu ou à une température excessive.**
Une exposition au feu ou à une température supérieure à 265 °F peut provoquer une explosion.
- g) **Suivre toutes les instructions de charge et ne pas charger la batterie ou l'outil en dehors de la plage de températures spécifiée dans les instructions.**
Une charge incorrecte ou à des températures en dehors de la plage spécifiée peut endommager la batterie et augmenter le risque d'incendie.
- 6) **Service**
- a) **Faire entretenir l'outil électrique par un technicien habilité à l'aide de pièces de rechange identiques exclusivement.**
Cela garantira le maintien de la sécurité de l'outil électrique.

- b) **Ne jamais réparer les batteries endommagées.**
L'entretien des batteries ne doit être effectué que par le fabricant ou un prestataire de service agréé.

– AVERTISSEMENT –

Pour réduire tout risque de blessure, l'utilisateur doit lire le mode d'emploi.

REGLES DE SECURITE SPECIFIQUES ET SYMBOLES

- Tenir l'outil électrique par les surfaces de préhension isolées car la surface de ponçage peut entrer en contact avec un câblage caché.**
Couper un fil « sous tension » peut transmettre le courant aux parties métalliques exposées de l'outil électrique et provoquer une décharge électrique pour l'opérateur.
 - Utilisez des pinces ou autre dispositif adapté pour fixer et soutenir la pièce à usiner sur une plate-forme stable.**
Le fait de soutenir manuellement la pièce contre votre corps provoque une instabilité pouvant entraîner une perte de contrôle.
 - TOUJOURS porter des bouchons d'oreille lors de l'utilisation de l'outil pendant de longues périodes.**
Une exposition prolongée à un son de forte intensité peut endommager l'ouïe de l'utilisateur.
-
- NE JAMAIS** toucher la mèche avec des mains nues après l'utilisation.
 - TOUJOURS** tenir fermement la courroie de la ponceuse.
 - NE JAMAIS toucher les parties mobiles.**
NE JAMAIS placer ses mains, ses doigts ou toute autre partie de son corps près des parties mobiles de l'outil.
 - NE JAMAIS utiliser l'outil sans que tous les dispositifs de sécurité ne soient en place.**
NE JAMAIS faire fonctionner cet outil sans que tous les dispositifs et caractéristiques de sécurité ne soient en place et en état de fonctionnement. Si un entretien ou une réparation nécessite le retrait d'un dispositif ou d'une caractéristique de sécurité, s'assurer de bien remettre en place le dispositif ou la caractéristique de sécurité avant de recommencer à utiliser l'outil.
 - Utiliser l'outil correct.**
Ne pas forcer sur un petit outil ou accessoire pour faire le travail d'un outil de grande puissance.
Ne pas utiliser un outil pour un usage pour lequel il n'a pas été prévu : par exemple, ne pas utiliser une scie circulaire pour couper des branches d'arbre ou des bûches.

9. **NE JAMAIS utiliser un outil motorisé pour des applications autres que celles spécifiées.**

NE JAMAIS utiliser un outil motorisé pour des applications autres que celles spécifiées dans le mode d'emploi.

10. **Manipuler l'outil correctement.**

Utiliser l'outil de la façon indiquée dans ce mode d'emploi. Ne pas laisser tomber ou lancer l'outil. **NE JAMAIS** permettre que l'outil soit utilisé par des enfants, des personnes non familiarisées avec son fonctionnement ou un personnel non autorisé.

11. **Maintenir toutes les vis, tous les boulons et les couvercles fermement en place.**

Maintenir toutes les vis, tous les boulons et les couvercles fermement montés. Vérifier leurs conditions périodiquement.

12. **Ne pas utiliser les outils motorisés si le revêtement de plastique ou la poignée est fendu.**

Des fentes dans le revêtement ou la poignée peuvent entraîner une électrocution. De tels outils ne doivent pas être utilisés avant d'être réparés.

13. **La bande abrasive et les accessoires doivent être montés en toute sécurité sur l'outil.**

Éviter les blessures potentielles personnelles et aux autres. La bande abrasive et les accessoires montés sur l'outil doivent être fermement fixés et sécurisés.

14. **Garder propres les événements d'air du moteur.**

Les événements d'air du moteur doivent être maintenus propres de façon que l'air puisse circuler librement tout le temps. Vérifier les accumulations de poussière fréquemment.

15. **NE JAMAIS utiliser un outil défectueux ou qui fonctionne anormalement.**

Si l'outil n'a pas l'air de fonctionner normalement, fait des bruits étranges ou sans cela paraît défectueux, arrêter de l'utiliser immédiatement et le faire réparer par un centre de service metabo HPT autorisé.

16. **NE JAMAIS laisser fonctionner l'outil sans surveillance. Le mettre hors tension.**

Ne pas abandonner l'outil avant qu'il ne soit complètement arrêté.

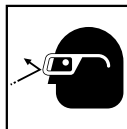
17. **Manipuler l'outil motorisé avec précaution.**

Si un outil motorisé tombe ou frappe un matériau dur accidentellement, il risque d'être déformé, fendu ou endommagé.

18. **Ne pas essuyer les parties en plastique avec du solvant.**

Les solvants comme l'essence, les diluants, la benzine, le tétrachlorure de carbone et l'alcool peuvent endommager et fissurer les parties en plastique. Ne pas les essuyer avec de tels solvants. Essuyer les parties en plastique avec un chiffon doux légèrement imbibé d'une solution d'eau savonneuse et sécher minutieusement.

19. **TOUJOURS** porter des lunettes de protection qui respectent les dernières révisions du Standard ANSI Z87.1.



20. **NE JAMAIS** laisser la ponceuse à bande sur une table, le sol, etc. pendant qu'elle tourne.

21. **NE JAMAIS** appliquer d'eau ni d'huile de lubrification, car cela pourrait provoquer des chocs électriques.

22. **TOUJOURS** utiliser la ponceuse à bande en toute sécurité pour une utilisation correcte.

Cette ponceuse à bande est une ponceuse de surface plane sèche portable conçue pour la finition des surfaces en bois et en métal et des couches de fond.

23. S'assurer qu'il n'y a pas de fissures, d'éraflures ou d'autres anomalies sur le patin avant l'utilisation.

24. Utiliser la bande abrasive et les accessoires spécifiés par metabo HPT.

25. Ne pas s'éloigner de l'outil pendant qu'il fonctionne. Toujours le tenir dans la main quand il fonctionne.

26. Lors du fonctionnement de l'outil, ne pas porter de gants de travail, car le tissu usé peut se coincer dans l'outil.

27. Lors d'un travail en hauteur, évacuer tout le monde de l'aire de travail et vérifier ce qu'il y a en-dessous.

28. Le sablage du métal génère des étincelles. Tenir les autres personnes et les substances inflammables à l'écart de l'aire de travail.

29. **TOUJOURS** porter un masque de protection lors de l'utilisation de la sableuse orbitale aléatoire.

Ventiler votre aire de travail adéquatement lors des opérations de sablage.

30. Aligner la flèche intérieure sur la bande abrasive avec la marque correspondante sur l'outil.

31. Il convient d'éviter de poncer en appliquant un impact et en découpant le contact du côté de la bande.

32. Faire attention aux projections de ponçage.

33. Vérifier que la pièce à poncer ne contient pas de clous ou d'autres corps étrangers dangereux.

34. Le ponçage au papier de verre n'est pas recommandé.

35. Après utilisation, éliminez la poussière sur la bande et les poulies.

36. Placer la pièce à usiner sur une surface stable lors du ponçage.

37. Ne pas poncer une plaque d'acier pendant une période prolongée tout en appliquant une pression excessive.

Il existe un risque que des particules de ponçage chaudes puissent endommager le collecteur de poussières.

38. Vérifier pour confirmer que la bande abrasive est exempte de fissures ou autres dommages avant l'utilisation.

39. Définitions pour les symboles utilisés sur cet outil
- V volts
 - courant continu
 - No vitesse sans charge
 - /min rotations ou mouvements de va-et-vient par minute

Dans les cas suivants, nettoyer le sac à poussière et retirer complètement la poussière éventuelle.

La poussière demeurant dans le sac à poussière pourrait causer une ignition.

- Sablage de tôles d'acier après le sablage de matériaux comme du bois

- Après avoir complété un travail de sablage

Ne pas jeter la poussière du sablage dans un feu ouvert, car les matériaux sous forme de particule fine peuvent être explosifs :

- 40. Étant donné que l'outil électrique sans fil fonctionne sur batterie, il faut savoir qu'il peut se mettre à fonctionner à tout moment.
- 41. Lors d'un travail en hauteur, évacuer tout le monde de l'aire de travail et vérifier ce qu'il y a en-dessous.
- 42. N'utilisez pas le produit si l'outil ou les bornes de la batterie (fixation de la batterie) sont déformés. Installer la batterie peut entraîner un court-circuit qui pourrait provoquer des émissions de fumée ou une ignition.
- 43. Gardez les bornes de l'outil (fixation de la batterie) exemptes de copeaux et de poussière.
 - Avant toute utilisation, assurez-vous qu'aucun copeau ou poussière ne s'est accumulé sur la zone des bornes.
 - Pendant l'utilisation, essayez d'éviter que des copeaux ou de la poussière provenant de l'outil ne tombent sur la batterie.
 - Lors de la suspension de l'opération ou après l'utilisation, ne laissez pas l'outil dans un endroit où il pourrait être exposé à des copeaux ou de la poussière.

Le non-respect de cette consigne peut entraîner un court-circuit qui pourrait provoquer des émissions de fumée ou une ignition.
- 44. Toujours utiliser l'outil et la batterie à des températures comprises entre 23°F (-5°C) et 104°F (40°C).

CONSIGNES DE SÉCURITÉ IMPORTANTES POUR LE CHARGEUR OU L'ADAPTATEUR

Le terme « chargeur ou adaptateur » dans les consignes de sécurité fait référence à votre chargeur de batterie ou adaptateur secteur.

⚠ AVERTISSEMENT

Une utilisation non sécuritaire ou incorrecte du chargeur ou de l'adaptateur peut entraîner des blessures graves voire mortelles.

Pour éviter ces risques, suivre ces instructions de sécurité de base:

LIRE TOUT CE MODE D'EMPLOI

1. Ce manuel renferme des consignes de sécurité et d'utilisation importantes pour le chargeur de batterie modèle UC18YFSL ou l'adaptateur secteur modèle ET36A.
2. Avant d'utiliser le chargeur ou l'adaptateur, lire toutes les instructions et les mises en garde sur (1) le chargeur ou l'adaptateur, (2) la batterie et (3) le produit utilisant la batterie.
3. Lors de la recharge de la batterie avec un chargeur de batterie, réduire le risque de blessure en chargeant des batteries rechargeables metabo HPT multivolt et de la série BSL18. Les autres types de batterie pourraient exploser et provoquer des blessures ou des dommages.
4. Ne pas exposer l'adaptateur secteur à la pluie ni à la neige.
5. L'utilisation d'un accessoire non recommandé ou non vendu par le fabricant du chargeur ou de l'adaptateur risque de provoquer un feu, une décharge électrique ou des blessures.
6. Pour réduire tout risque de dommage de la fiche et du cordon électriques, débrancher le cordon du chargeur ou de l'adaptateur en tirant sur la fiche.
7. Vérifier que le cordon est placé de façon que personne ne puisse marcher dessus, se prendre les pieds dedans, ni l'endommager ou le soumettre à des contraintes.
8. Ne pas utiliser de cordon de rallonge si cela n'est pas absolument nécessaire. L'utilisation d'un cordon de rallonge incorrect pourrait entraîner un feu ou une décharge électrique. Si l'on doit utiliser un cordon de rallonge, s'assurer que:
 - a. Les broches de la rallonge ont les mêmes numéro, taille et forme que celles de la fiche du chargeur ou de l'adaptateur;
 - b. Le cordon de rallonge est correctement raccordé et en bon état électrique ;
 - c. Le calibre du fil doit être au moins suffisant pour l'intensité nominale CA (ampères) du chargeur ou de l'adaptateur spécifiée dans le Tableau 1.

Tableau 1

**CALIBRE MINIMUM RECOMMANDÉ POUR LES CORDONS
DE RALLONGE POUR CHARGEUR OU ADAPTEUR**

Intensité nominale d'entrée CA (ampères)*		Calibre du cordon			
Egal ou supérieur à	mais non inférieur à	Longueur de cordon en pieds (mètres)			
		25 (7,5)	50 (15)	100 (30)	150 (45)
0	2	18	18	18	16
2	3	18	18	16	14
3	4	18	18	16	14

- * Si l'intensité nominale d'entrée du chargeur ou de l'adaptateur est donnée en watts et non en ampères, calculer la capacité en ampères correspondante en divisant la capacité en ampères par la capacité de tension, par exemple :

$$\frac{1\ 250\ \text{watts}}{125\ \text{volts}} = 10\ \text{ampères}$$

9. Ne pas utiliser le chargeur ou l'adaptateur si son cordon ou sa fiche sont endommagés – Les remplacer immédiatement.
10. Ne pas utiliser le chargeur ou l'adaptateur s'il a reçu un coup, s'il est tombé ou endommagé de toute autre manière. L'apporter à un réparateur qualifié.
11. Ne pas démonter le chargeur ou l'adaptateur; si un entretien ou des réparations sont nécessaires, l'apporter à un réparateur qualifié. Un remontage incorrect pourrait provoquer une décharge électrique ou un feu.
12. Pour réduire tout risque de décharge électrique, débrancher le chargeur ou l'adaptateur de la prise avant tout entretien ou nettoyage. Il ne suffit pas de sortir la batterie.
13. Cet adaptateur secteur est destiné à être utilisé seulement avec des outils spécifiques, y compris le SB3608DA. Il pourrait convenir pour l'utilisation avec d'autres outils metabo HPT alimentés sur batterie. Il est nécessaire de confirmer l'adaptabilité en se référant au manuel d'instructions de l'outil spécifique ou en consultant notre site Web <https://www.metabo-hpt.com/>. Le défaut de confirmer l'adaptabilité avant d'utiliser l'adaptateur avec les outils spécifiques pourrait causer un risque d'incendie.

**CONSIGNES DE SÉCURITÉ
IMPORTANTES POUR L'UTILISATION DE
LA BATTERIE ET DU CHARGEUR OU DE
L'ADAPTEUR**

Pour pouvoir utiliser l'outil électrique, il faudra recharger la batterie. Avant d'utiliser le chargeur de batterie modèle UC18YFSL, bien lire attentivement toutes les consignes et les avertissements signalés sur le chargeur, sur la batterie ou dans ce manuel.

⚠ PRÉCAUTION
UTILISER UNIQUEMENT LES MODÈLES DE BATTERIE metabo HPT DE LA SÉRIE MULTI-VOLT. LES AUTRES TYPES DE BATTERIE POURRAIENT EXPLOSER OU PROVOQUER DES BLESSURES.

Pour éviter tout risque de blessure, observer les consignes suivantes:

⚠ AVERTISSEMENT
Une utilisation incorrecte de la batterie ou du chargeur de batterie risque de provoquer des blessures. Pour éviter tout risque de blessure:

1. **NE JAMAIS** démonter la batterie ou l'adaptateur secteur.
2. **NE JAMAIS** jeter la batterie ou l'adaptateur secteur au feu, même s'ils sont endommagés ou complètement usés. La batterie risque d'exploser au feu.
3. **NE JAMAIS** court-circuiter la batterie ou l'adaptateur secteur.
4. **NE JAMAIS** insérer d'objets dans les ouïes d'aération du chargeur ou de l'adaptateur. Il pourrait en résulter une décharge électrique ou des dommages du chargeur ou de l'adaptateur.
5. **NE JAMAIS** utiliser à l'extérieur. Éloigner la batterie ou l'adaptateur secteur hors d'atteinte des rayons directs du soleil et utiliser exclusivement dans des endroits à faible humidité et bien aérés.

6. **NE JAMAIS** charger si la température est inférieure à 32°F (0°C) ou supérieure à 104°F (40°C). (UC18YFSL)
NE JAMAIS utiliser si la température est inférieure à 32°F (0°C) ou supérieure à 104°F (40°C). (ET36A)
 7. **NE JAMAIS** raccorder deux chargeurs ou adaptateurs ensemble.
 8. **NE JAMAIS** insérer de corps étrangers dans l'orifice de la batterie, le chargeur ou l'adaptateur.
 9. **NE JAMAIS** utiliser de transformateur-élévateur.
 10. **NE JAMAIS** utiliser d'alimentation CC.
 11. **NE JAMAIS** ranger la batterie, le chargeur ou l'adaptateur dans un lieu où la température peut atteindre ou dépasser 104°F (40°C) comme à l'intérieur d'une boîte en métal ou d'une voiture.
 12. **NE JAMAIS** exposer la batterie, le chargeur ou l'adaptateur à la pluie ou des conditions humides.
 13. **TOUJOURS** alimenter le chargeur ou l'adaptateur sur une prise secteur domestique standard (120 volts). L'utilisation du chargeur ou de l'adaptateur à une autre tension peut entraîner une surchauffe et les endommager.
 14. **TOUJOURS** attendre au moins 15 minutes entre deux recharges pour éviter toute surchauffe du chargeur. (UC18YFSL)
 15. **TOUJOURS** débrancher le cordon d'alimentation de la prise lorsqu'on ne se sert pas du chargeur ou de l'adaptateur.
- [Les informations ci-dessous concernent seulement ET36A]
16. Ne pas utiliser le produit si les bornes de l'outil ou de l'adaptateur secteur (monture pour adaptateur secteur) sont déformées.
L'installation de l'adaptateur secteur risquerait de causer un court-circuit provoquant une émission de fumée ou une ignition.
 17. Conserver les bornes de l'outil (monture pour adaptateur secteur) exemptes d'ébarbures et de poussières.
 - Avant utilisation, s'assurer qu'aucune ébarbure ou poussière ne s'est accumulée sur les bornes.
 - Pendant l'utilisation, essayer d'empêcher les ébarbures et la poussière sur l'outil de tomber sur l'adaptateur secteur.
 - En cas d'interruption de la tâche ou après utilisation, ne pas laisser l'outil dans un endroit où il pourrait être exposé à la chute d'ébarbures ou de poussières.
Cela risquerait de causer un court-circuit provoquant une émission de fumée ou une ignition.
 18. Ce produit est conçu pour utilisation dans des environnements de degré de pollution 2 ou PD2. Opérer seulement dans des zones de pollution non conductrice. Une conductivité temporaire causée par la condensation est normalement attendue.
 19. Cette machine étant de haute précision, ne pas l'échapper, ni ne l'exposer à un impact.
 20. Ne pas utiliser ce produit à proximité d'un stimulateur cardiaque ou d'autres appareils implantés similaires, qui peuvent être affectés par le champ magnétique généré par ce produit.
 21. L'adaptateur, le boîtier d'alimentation électrique et l'intérieur du cordon CC générant une haute tension survoltée de 380 V, faire attention aux points suivants.
 - Ne pas démonter le produit.
 - Ne pas l'échapper, ni ne l'exposer à un impact.
Dans le cas où le produit est endommagé par un impact violent, ne pas l'utiliser.
 - Ne pas utiliser le produit dans des zones exposées à la pluie, à la neige, à la poudre de fer ou à des conditions humides.
 - Ne pas toucher le produit avec les mains mouillées.
 - Ne pas renverser ou verser de liquide sur le produit.
 - Ne pas tirer sur le cordon avec une force excessive.
 - Utiliser le produit dans un environnement de travail bien ordonné.
- ⚠ **PRÉCAUTION**
1. Quand le maillage du trou d'aération est bouché par des objets comme des copeaux de bois, essayer de maintenir les objets à l'extérieur lors du nettoyage du maillage.
(En cas de maintenance incorrecte, la fonction de protection de la température pourrait arrêter le produit)
 2. Quand la fonction de protection de la température coupe fréquemment l'alimentation, ne pas surcharger la machine avec un travail continu, mais laisser la machine reposer un peu avant de continuer l'opération.
 3. La machine chauffe. Toutefois, cela n'indique pas une anomalie.
Faire marcher l'électricité et opérer le ventilateur interne pour refroidir la machine avant de la transporter ailleurs.
Lors du transport du produit, veiller à utiliser le blindage de cordon. L'étui pouvant être chaud, prière d'être prudent.
 4. Pendant l'utilisation, ne pas tirer sur le cordon pour déplacer le boîtier. Cela risque de causer des dégâts.
 5. Ne pas utiliser plus d'une bobine de cordon de 30 mètres, sous peine de causer des dégâts.
 6. Pendant l'utilisation, si la machine s'arrête de fonctionner après que le voyant DEL du boîtier clignote, confirmer l'environnement de l'alimentation électrique.
 7. Ne pas traîner le cordon lors de l'utilisation ou du transport de la machine, sous peine de déchirer l'isolation du cordon ou de casser le cordon ce qui peut causer une décharge électrique.

8. Ne pas étirer le cordon plus que nécessaire.
Lors de l'utilisation de cisailles de jardin ou de scies circulaires, toujours s'assurer de l'emplacement du cordon d'alimentation afin d'éviter de le couper pendant le fonctionnement.
9. Pour utiliser l'adaptateur secteur après son arrêt en raison d'une température élevée, déconnecter la fiche d'alimentation du boîtier, patienter jusqu'à ce que le voyant DEL s'éteigne, puis reconnecter la fiche d'alimentation du boîtier.
Si la machine s'arrête même après l'avoir suffisamment refroidie avec le ventilateur intégré, cesser de l'utiliser, car la machine peut présenter un problème.
10. Ne pas utiliser ce produit près d'un poste de radio, sous peine de générer du bruit depuis la radio, rendant difficile l'écoute d'une émission.
11. Il s'agit d'une source d'alimentation pour produits multivolt. Ne pas utiliser avec des produits ou chargeurs de 18 V, sous peine de causer des dégâts.
12. Le comportement de surcharge peut différer en comparaison avec l'utilisation de la batterie BSL36B18.
Lorsque vous connectez la batterie au chargeur, le voyant DEL de la batterie devrait clignoter sur l'unité principale, mais il se peut que le voyant DEL sur l'adaptateur secteur clignote à sa place.

PRÉCAUTIONS POUR L'ADAPTATEUR SECTEUR

L'adaptateur est équipé d'une fonction de protection pour arrêter la puissance fournie. Dans les cas 1 à 2 décrits ci-dessous, lors de l'utilisation de ce produit, même si le commutateur est enclenché, le moteur peut s'arrêter. Il ne s'agit pas d'une anomalie, mais du résultat de la fonction de protection.

1. Si l'outil est surchargé, la puissance fournie peut s'arrêter. Dans ce cas, relâcher le commutateur de l'outil et éliminer les causes de la surcharge.
2. Si l'adaptateur surchauffe en cas de surcharge de travail, la puissance fournie peut s'arrêter. Dans de telles situations, cesser l'utilisation de l'adaptateur et le détacher de l'outil. Laisser refroidir l'adaptateur dans un endroit ombragé avec une bonne circulation d'air.

PRÉCAUTIONS RELATIVES A LA BATTERIE AU LITHIUM ION

Pour prolonger sa durée de vie, la batterie lithium-ion est équipée d'une fonction de protection qui coupe automatiquement l'alimentation.

Dans les cas 1 à 3 décrits ci-dessous, il est possible que le moteur s'arrête lorsque vous utilisez ce produit, même si vous actionnez le commutateur. Il ne s'agit pas d'un dysfonctionnement, mais du fonctionnement normal de la protection.

1. Lorsque la charge restante de la batterie diminue, le moteur s'arrête.
Dans ce cas de figure, chargez immédiatement la batterie.
 2. En cas de surcharge de l'outil, actionnez le commutateur de l'outil et éliminez les causes de la surcharge. Vous pouvez ensuite recommencer à utiliser l'outil.
 3. En cas de surchauffe due à un travail trop intensif, l'alimentation de la batterie peut se couper.
Dans ce cas, arrêtez toute utilisation de la batterie et laissez-la refroidir. Vous pouvez ensuite recommencer à l'utiliser.
- En outre, respectez la précaution et l'avertissement suivants.

⚠ AVERTISSEMENT

Afin d'éviter toute fuite de la batterie, génération de chaleur, émission de fumée, explosion et inflammation, respectez scrupuleusement les précautions suivantes :

1. Assurez-vous que les copeaux et la poussière ne s'accumulent pas sur la batterie.
- Lorsque vous travaillez, assurez-vous que les copeaux et la poussière ne tombent pas sur la batterie.
- Assurez-vous que les copeaux et la poussière qui tombent sur l'outil lorsque vous travaillez ne s'accumulent pas sur la batterie.
- Ne conservez pas une batterie inutilisée dans un endroit qui est exposé aux copeaux et à la poussière.
- Avant de stocker une batterie, retirez tous les copeaux et la poussière qui ont pu y adhérer et ne la conservez pas avec des pièces métalliques (vis, clous, etc.).
2. Ne percez pas la batterie à l'aide d'un objet pointu tel qu'un clou. Ne la frappez pas à l'aide d'un marteau. Ne marchez pas dessus, ne la lancez pas et ne la soumettez pas un à choc physique important.
3. N'utilisez pas une batterie dont l'extérieur est déformé ou laisse penser qu'elle est défectueuse.
4. N'utilisez pas la batterie à d'autres fins que celle spécifiée.
5. En cas d'échec du chargement d'une batterie, même après un certain délai, arrêtez immédiatement le rechargement.
6. N'exposez pas la batterie à des températures ou à une pression élevées (four à micro-ondes, séchoir, conteneur sous haute pression).
7. Maintenez à la batterie à l'écart de toute flamme en cas de détection d'une fuite ou d'une mauvaise odeur.
8. Ne pas utiliser à proximité d'une source puissante d'électricité statique.

9. En cas de fuite de la batterie, de mauvaise odeur, de génération de chaleur, de décoloration, de déformation ou d'anomalie en cours d'utilisation, de rechargement ou d'entreposage, ôtez immédiatement la batterie de l'équipement ou du chargeur de batterie et ne l'utilisez plus.
10. Ne plongez jamais la batterie dans de l'eau ou tout autre liquide, et ne laissez aucun liquide s'infiltrer à l'intérieur de la batterie. L'entrée de liquides conducteurs, tel que de l'eau, peut causer des dommages pouvant entraîner un incendie ou une explosion. Rangez votre batterie dans un endroit frais et sec, à l'écart d'objets combustibles et inflammables. Les atmosphères corrosives doivent être évitées.

⚠ PRÉCAUTION

1. En cas de projection dans les yeux de liquide ayant fuit de la batterie, ne vous frottez pas les yeux, rincez-les à l'eau claire et contactez immédiatement un médecin.
En l'absence de traitement, le liquide peut détériorer l'oeil.
2. En cas de projection de liquide ayant fuit de la batterie sur votre peau ou vos vêtements, rincez immédiatement ces derniers à l'eau claire (au robinet).
Le liquide peut provoquer une irritation de la peau.
3. En cas de détection de rouille, de mauvaise odeur, de surchauffe, de décoloration, de déformation et/ou autres anomalies lors de la première utilisation de la batterie, n'utilisez pas cette dernière et renvoyez-la au fournisseur ou au fabricant.

⚠ AVERTISSEMENT

Un court-circuit risque de se produire et causer un incendie, si un corps étranger conducteur d'électricité passe dans les bornes de la pile au lithium-ion. Veuillez respecter les consignes suivantes pour le rangement de la pile.

- Ne pas mettre d'objet conducteur d'électricité, tels que clous, fil d'acier, de cuivre ou autre fil dans la mallette de rangement.
- Soit ranger le bloc de pile avec l'outil électrique ou de manière sécuritaire en l'enfonçant dans le couvercle jusqu'à ce que les orifices de ventilation soient dissimulés afin d'éviter les courts-circuits. (Voir la Fig. 3)

À PROPOS DU TRANSPORT DE LA BATTERIE LITHIUM-ION

Lors du transport d'une batterie lithium-ion, veuillez observer les précautions suivantes.

⚠ AVERTISSEMENT

Informez la société de transport qu'un paquet contient une batterie lithium-ion, informez la société de sa puissance de sortie et suivez les instructions de la société de transport lors de l'organisation du transport.

- Les batteries lithium-ion qui dépassent une puissance de sortie de 100 Wh font partie de la classification de transport des produits dangereux et nécessitent l'application de procédures spéciales.
- Pour un transport vers l'étranger, vous devez vous conformer aux lois internationales et aux normes et réglementations en vigueur dans le pays de destination.

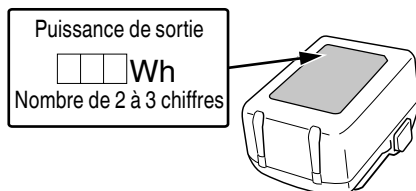


Fig. 1

**CONSERVER CES INSTRUCTIONS
ET
LES METTRE A LA DISPOSITION
DES AUTRES UTILISATEURS
ET
PROPRIETAIRES DE CET OUTIL !**

DESCRIPTION FONCTIONNELLE

REMARQUE

Les informations contenues dans ce mode d'emploi sont conçues pour assister l'utilisateur dans une utilisation sans danger et un entretien de l'outil motorisé.

NE JAMAIS utiliser ni entreprendre une révision de l'outil sans avoir d'abord lu et compris toutes les instructions de sécurité contenues dans ce manuel.

Certaines illustrations dans ce mode d'emploi peuvent montrer des détails ou des accessoires différents de ceux de l'outil motorisé utilisé.

NOM DES PARTIES

1. Sableuse à courroie sans fil

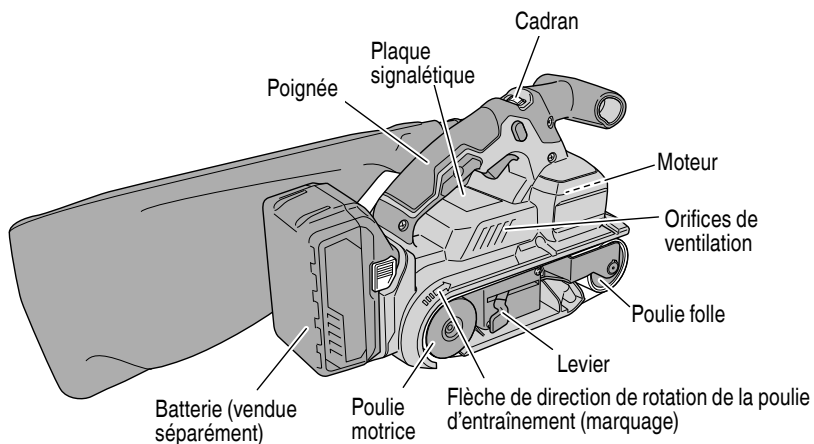
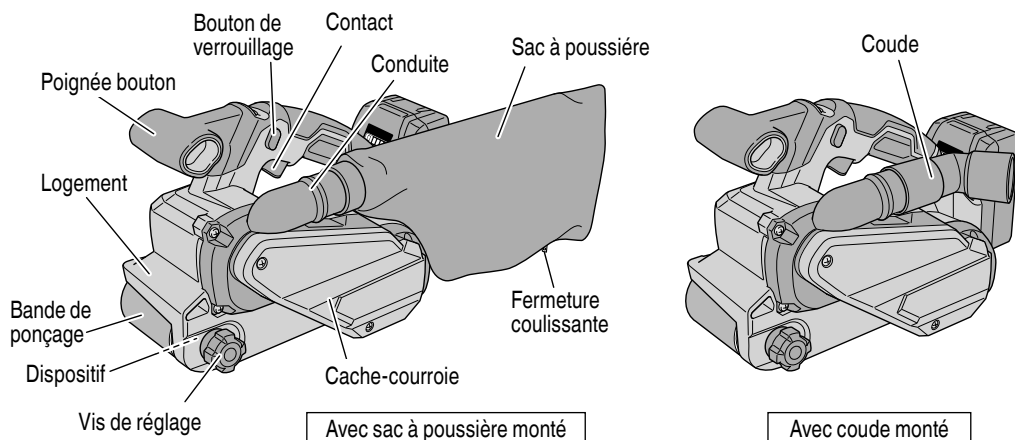
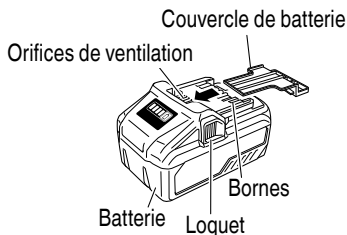


Fig. 2

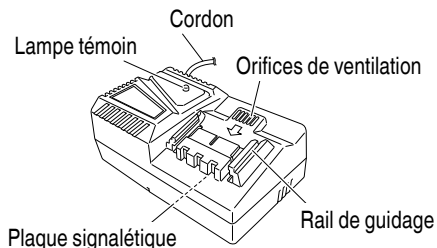
2. Batterie (accessoires en option...vendus séparément)



<BSL36B18>

Fig. 3

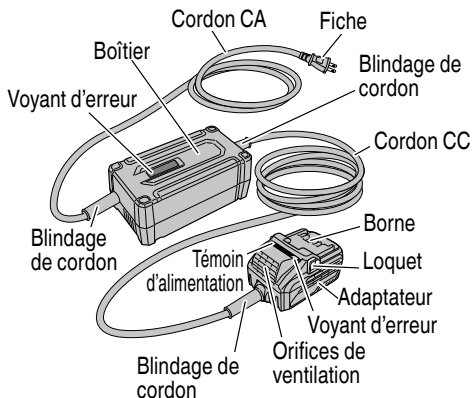
3. Chargeur de batterie (accessoires en option...vendus séparément)



<UC18YFSL>

Fig. 4

4. Adaptateur secteur (accessoires en option...vendus séparément)



<ET36A>

Fig. 5

SPECIFICATIONS

1. Sableuse à courroie sans fil

Modèle		SB3608DA
Moteur		Moteur sans balai à courant continu
Taille de la bande de ponçage		3" x 21" (76 mm x 533 mm)
Vitesse de la courroie sans charge		400-1 475 pieds/min (122-450 m/min)
Alimentation	Type*	Batterie au Li-ion modèle BSL36B18/ Adaptateur secteur modèle ET36A (vendu séparément)
	Tension	36 V
Poids		9,9 lbs. (4,5 kg) (BSL36B18 et sac à poussière monté)

* Les batteries existantes (séries BSL3660/3626/3620, BSL18 et BSL14) ne peuvent pas être utilisées avec cet outil. Si vous utilisez l'adaptateur secteur, veuillez lire et comprendre son manuel avant de faire fonctionner l'outil électrique.

2. Chargeur de batterie

Modèle	UC18YFSL
Source d'alimentation d'entrée	Monophasée: CA 120 V 60 Hz
Durée de recharge (à une température de 68°F (20°C))	BSL36B18: Env. 120 min
Tension de charge	CC 14,4 V-18 V
Courant de charge	CC 3,5 A
Poids	1,1 lbs. (0,5 kg)

REMARQUE: La durée de recharge peut varier en fonction de la température et de la tension de la source d'alimentation.

3. Adaptateur secteur

Modèle	ET36A
Source d'alimentation d'entrée	Monophasée: CA 120 V 60 Hz
Tension de sortie	36 V
Plage de la température de fonctionnement	14°F (-10°C)-104°F (40°C)
Poids	Adaptateur : 1,8 lbs. (0,8 kg) Boîtier : 2,6 lbs. (1,2 kg)

Commande électrique

- Fonction de freinage
Le frein est activé lorsque l'interrupteur est désactivé, arrêtant la rotation du moteur.
- Une vitesse maximum à tout moment dans la fourchette de puissance donnée
- Démarrage en douceur
- Vitesse variable
- Protection contre les surcharges
Ce dispositif de protection coupe l'alimentation du moteur en cas de surcharge du moteur ou de réduction manifeste de la vitesse de rotation pendant le fonctionnement.
Lorsque la fonction de protection de surcharge est activée, le moteur peut s'arrêter.
Dans ce cas, relâchez le commutateur de l'outil et éliminez les causes de la surcharge.
Après cela, vous pouvez utiliser l'appareil de nouveau.
- Protection contre la surchauffe
Ce dispositif de protection coupe l'alimentation du moteur et arrête l'outil électrique en cas de surchauffe du moteur pendant le fonctionnement.
Lorsque la fonction de protection contre la surchauffe est activée, le moteur peut s'arrêter.
Dans ce cas, relâchez le commutateur de l'outil et laissez le refroidir quelques minutes.
Après cela, vous pouvez utiliser l'appareil de nouveau.
- Fonction de prévention de redémarrage
Quand l'alimentation est encore en marche, l'outil ne redémarrera pas quand une batterie est installée.
Cette fonction peut être annulée une fois que l'outil est hors tension.

ASSEMBLAGE ET FONCTIONNEMENT

APPLICATIONS

- Ponçage et finition de produits en bois.
- Polissage de base de plans en petit bois d'oeuvre.
- Ponçage de surfaces métalliques.
- Polissage de surfaces métalliques, retrait de rouille ou retrait de peinture pour la finition.
- Finition de surface de l'ardoise, du béton, etc.

INSTALLATION ET RETRAIT DE LA BATTERIE

⚠ AVERTISSEMENT

Vérifier pour confirmer que le commutateur est mis sur arrêt avant d'insérer la batterie dans l'outil.

L'insertion de la batterie avec le commutateur mis sur marche peut entraîner un dysfonctionnement de l'outil.

- Installation de la batterie.
Aligner la batterie sur la rainure dans l'outil et la faire glisser en place.
Toujours insérer la batterie à fond, jusqu'à ce qu'elle se bloque avec un petit déclic. Sinon, elle risque de tomber accidentellement de l'outil et de blesser l'opérateur ou d'autres personnes alentour (Fig. 6).
- Retrait de la batterie.
Retirer la batterie de l'outil tout en appuyant sur le loquet (2 pièces) de la batterie (Fig. 6).

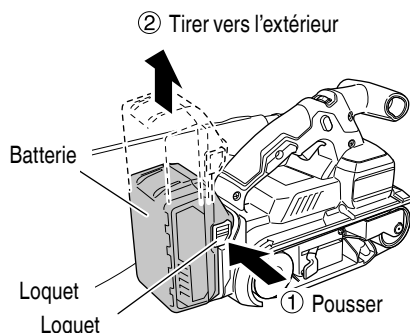


Fig. 6

MÉTHODE DE RECHARGE

REMARQUE

Avant de brancher le chargeur dans la prise, vérifier les points suivants.

- La tension de la source d'alimentation est indiquée sur la plaque signalétique.
- Le cordon n'est pas endommagé.

⚠ AVERTISSEMENT

Ne pas effectuer de recharge à une tension supérieure à la tension indiquée sur la plaque signalétique.

Si la recharge est effectuée à une tension supérieure à la tension indiquée sur la plaque signalétique, le chargeur sera brûlé.

1. Brancher le cordon d'alimentation du chargeur dans une prise murale. Une fois que le cordon d'alimentation est branché, le témoin de charge clignote en rouge. (A intervalles d'une seconde)



⚠ **AVERTISSEMENT**
Ne pas utiliser le cordon électrique s'il est endommagé. Le faire réparer immédiatement.

2. Insérer la batterie dans le chargeur de batterie. Insérer la batterie dans le chargeur de batterie comme indiqué à la Fig. 7.

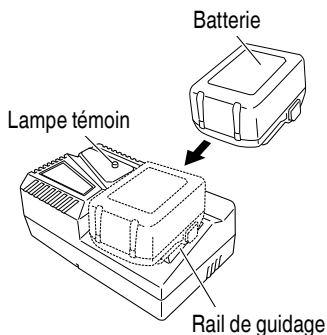


Fig. 7

3. Recharge






Lorsque vous insérez une batterie dans le chargeur, la lampe témoin s'allume en rouge en continu.

Lorsque la batterie est totalement rechargée, le voyant d'état de chargement clignote en rouge (à intervalles d'une seconde). (Voir Tableau 2)

(1) Indication du voyant

Les indications du témoin lumineux sont expliquées dans le Tableau 2, en fonction de l'état du chargeur de batterie ou de la batterie.

Tableau 2

Indications de la lampe témoin (ROUGE)		
Avant la charge	S'allume pendant 0,5 seconde et s'éteint pendant 0,5 seconde Clignote 	Branché sur la source d'alimentation électrique
Pendant la charge	S'allume sans interruption S'allume 	—
Charge terminée	S'allume pendant 0,5 seconde et s'éteint pendant 0,5 seconde Clignote 	—
Veille en surchauffe	S'allume pendant 1 seconde et s'éteint pendant 0,5 seconde Clignote 	Batterie en surchauffe. Impossible de charger. (La charge commencera une fois que la batterie sera froide).
Charge impossible	S'allume pendant 0,1 seconde et s'éteint pendant 0,1 seconde Scintille 	Anomalie de la batterie ou du chargeur

(2) Au sujet de la température de la batterie rechargeable.

Les températures des batteries rechargeables sont indiquées dans le Tableau 3. Laisser refroidir les batteries qui ont chauffé avant de les recharger.

Tableau 3

Batteries rechargeables	Températures de recharge de la batterie
BSL36B18	32°F-122°F (0°C-50°C)

(3) Durée de recharge (A 68°F (20°C))

Tableau 4 Temps de recharge

Batterie	Chargeur
BSL36B18	UC18YFSL Env. 120 min

REMARQUE

Le temps de recharge peut varier en fonction de la température ambiante.

4. Débrancher le chargeur de batterie de la prise.

⚠ **PRÉCAUTION**

Ne pas débrancher la fiche de la prise en tirant sur le cordon.

Pour éviter tout dommage lorsqu'on débranche la fiche de la prise, bien tenir la fiche proprement dite.

5. Retirer la batterie du chargeur de batterie.

Sortir la batterie du chargeur tout en la soutenant de la main.

REMARQUE

Bien sortir la batterie du chargeur de batterie après usage, et la conserver.

En ce qui concerne le courant de décharge d'une batterie neuve

Etant donnée que les substances chimiques internes sont restées inactives dans le cas des batteries neuves ou des batteries qui sont restées longtemps inutilisées, le courant de décharge risque d'être très faible lors des première et deuxième utilisations. Ce phénomène est temporaire et le temps de recharge normal sera rétabli quand les batteries auront été rechargées 2 ou 3 fois.

Comment prolonger la durée de vie des batteries

(1) Recharger les batteries avant qu'elles ne soient complètement épuisées.

Quand la puissance de l'outil utilisé faiblit, l'éteindre et recharger la batterie. Si l'outil continue d'être utilisé jusqu'à épuisement du courant électrique, la batterie risque d'être endommagée et sa durée de vie se raccourcira.

(2) Eviter d'effectuer la recharge sous des températures élevées.

Une batterie est toujours chaude immédiatement après son utilisation. Si la batterie est rechargée immédiatement après utilisation, les substances chimiques internes risquent de se détériorer et la durée de vie de la batterie se raccourcira. Laisser la batterie refroidir un moment avant de l'utiliser.

⚠ PRÉCAUTION

- Si le chargeur a fonctionné pendant longtemps de suite, il sera chaud, ce qui risque de provoquer des pannes. Lorsque la recharge est terminée, laisser le chargeur refroidir pendant environ 15 secondes avant de passer à la recharge suivante.
- Si la batterie est chaude quand elle est rechargée, parce qu'elle est restée longtemps en plein soleil ou parce qu'elle vient juste d'être utilisée, la lampe pilote du chargeur clignote en s'allumant pendant 1 seconde, puis en s'éteignant pendant 0,5 seconde.
La batterie ne se rechargera pas. Dans ce cas, laisser la batterie refroidir avant de la recharger.
- Quand la lampe témoin clignote rapidement (à intervalles de 0,2 seconde), vérifier le chargeur et retirer tout objet étranger qui serait tombé dans son connecteur. S'il n'y a rien d'anormal, il est alors probable que la batterie ou le chargeur fonctionne mal. Dans ce cas, les enlever et les porter à un réparateur agréé.

AVANT L'UTILISATION

⚠ AVERTISSEMENT

Pour éviter des accidents graves, s'assurer que l'interrupteur est sur OFF et extraire la batterie.

1. Vérifier l'aire de travail
Vérifier l'aire de travail pour s'assurer qu'il n'y a ni débris ni désordre.
Evacuer l'aire de travail des personnes non autorisées. S'assurer que l'éclairage et la ventilation sont adéquats.
2. Interrupteur d'alimentation
S'assurer que l'interrupteur est sur la position OFF (arrêt).
3. Installation de la bande abrasive

⚠ PRÉCAUTION

Utiliser uniquement la taille de bande abrasive indiquée sur la plaque signalétique du produit.

- (1) Tirer sur le levier avec le doigt, la poulie folle se déplacera ensuite vers l'arrière.

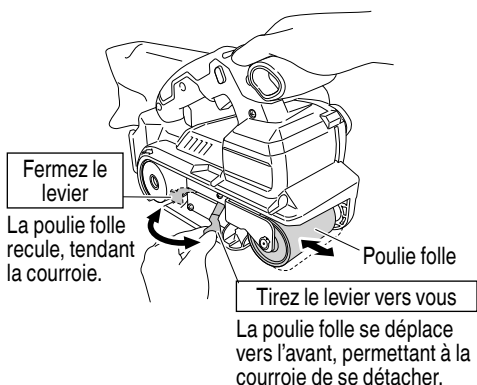


Fig. 8

- (2) Positionner la poulie d'entraînement et la poulie de renvoi en les faisant passer par l'extérieur de la plaque griffe et en veillant à ce que la flèche à l'intérieur de la bande coïncide avec la marque correspondante sur l'outil.

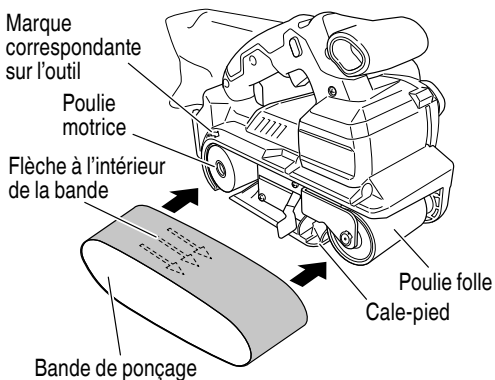


Fig. 9

- (3) Pousser sur le levier avec le doigt, la poulie folle se déplacera vers l'avant et donnera la tension correcte à la bande de ponçage.
Dans ce cas, veiller à ne pas vous coincer le doigt avec le levier.
Ensuite, régler la position de la bande de ponçage. (vous reporter à la page 40)

⚠ PRECAUTION

Si elle est installée dans la mauvaise direction, la bande de ponçage ne fonctionnera pas correctement et sa durée de vie sera diminuée.

4. Retrait de la bande de ponçage
Tirer sur le levier avec le doigt, la bande de ponçage fléchit et peut être extraite des poulies facilement.

REMARQUE

- La poulie d'entraînement et la poulie de renvoi chauffent après l'utilisation.
- Utiliser un souffleur d'air ou un appareil similaire pour éliminer les débris autour des poulies, avec la bande de ponçage retirée.

5. Fixation et retrait du sac à poussière (Fig. 10)

- (1) Fixation du sac à poussière
Insérer le sac à poussière dans le conduit sur le corps de l'outil électrique.

- (2) Retrait du sac à poussière
Tenir le conduit et extraire le sac à poussière.

⚠ AVERTISSEMENT

Nettoyer le sac à poussière avant et après le ponçage du métal, et enlever la poussière de ponçage qui se trouve à l'intérieur. La poussière de ponçage du métal peut provoquer des incendies.

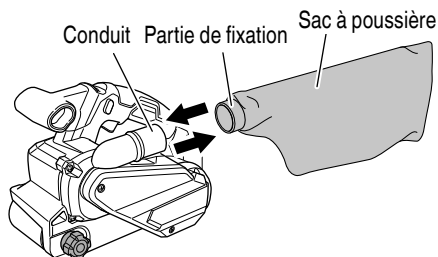


Fig. 10

⚠ AVERTISSEMENT

Avant le sablage, vérifiez le matériau de la surface que vous allez sabler.

Si la surface en cours de sablage est susceptible de générer des poussières nocives/toxiques telles qu'une surface peinte au plomb, assurez-vous que le sac à poussière ou le système d'extraction de poussière approprié est bien connecté à la sortie de poussière.

Portez un masque anti-poussière en plus, si disponible.

N'inhaliez pas et ne touchez pas les poussières nocives/toxiques générées lors du sablage, la poussière peut être nocive pour votre santé et celle des passants.

⚠ PRÉCAUTION

Si une quantité excessive de poussière s'accumule dans le sac à poussière, la puissance de collecte de la poussière sera réduite. Jeter la poussière le plus tôt possible.

6. Fixation et retrait du coude (Fig. 11)

Fixer le coude au conduit avant l'utilisation. Ajuster l'angle du coude de manière à ce que la poussière n'atteigne pas le corps.

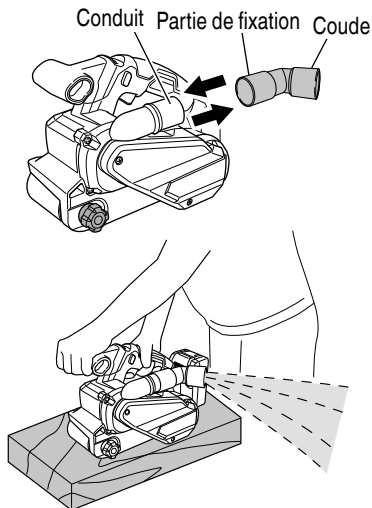


Fig. 11

7. À propos de la fonction de changement de mode
L'appareil a un « Mode de transmission » et un « Mode auto ».

- Avec le mode de transmission, le nombre de tours de la sableuse à courroie peut être réglé sur l'une des cinq étapes.

Lorsque l'appareil fonctionne en mode de transmission, le nombre de tours fixé sera maintenu quels que soient les changements de la charge.

- Avec le mode auto, vous pouvez réduire le bruit et les vibrations en réduisant le nombre maximum de tours en étant à un état sans charge.

En mode auto, le nombre de tours sera augmenté si la charge devient plus grande durant l'opération.

D'autre part, le nombre de tours sera réduit si la charge diminue durant l'opération. (Tableau 5)

- Régler le mode à l'aide de la molette en fonction de l'application de travail (Fig. 12)

Tableau 5

Réglage de la molette	Vitesse de la bande
1	400 pieds/min
2	710 pieds/min
3	1 020 pieds/min
4	1 320 pieds/min
5	1 475 pieds/min
A	400 pieds/min (Pas de charge)
	1 475 pieds/min (Avec charge)

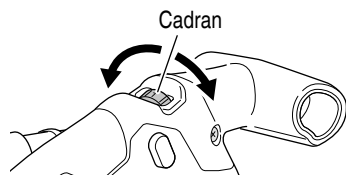


Fig. 12

8. Vérifier l'insertion de la batterie

⚠ PRÉCAUTION

Enfoncer la batterie jusqu'à ce qu'elle se mette en place dans un petit dé clic. Sinon, elle risque de tomber accidentellement de l'outil et de blesser l'opérateur ou les personnes alentour.

UTILISATION

⚠ AVERTISSEMENT

- Veiller à couper le contact, puis à retirer la batterie de l'outil dans les situations suivantes :
 - Lors de l'arrêt ou de la fin du travail
 - Lors de la fixation ou du retrait d'accessoires ou de pièces optionnelles
 - Lors de la maintenance, de l'inspection ou du stockage de l'outil

⚠ PRÉCAUTION

- Pour prolonger la durée de vie, l'outil et la batterie au lithium-ion sont équipés d'une fonction de protection qui coupe automatiquement l'alimentation. Par conséquent, en cas de surcharge de l'outil, il est possible que le moteur s'arrête. Il ne s'agit cependant pas d'un dysfonctionnement, mais du fonctionnement normal de la protection. Dans ce cas, actionnez le commutateur de l'outil et éliminez les causes de la surcharge. De plus, se reporter aux "PRÉCAUTIONS RELATIVES A LA BATTERIE AU LITHIUM ION". S'il ne fonctionne toujours pas, confier sa réparation à un centre de service autorisé de metabo HPT.

⚠ AVERTISSEMENT

Ne jamais utiliser d'eau ou de fluide de sablage au cours des opérations de sablage. Cela peut entraîner un risque de commotion électrique.

1. Réglage de la position de ponçage
 Régler la bande de ponçage de façon à ce que la bordure dépasse de 1/16"-1/8" (1,6 à 3 mm) au-delà des bordures des poulies.
 Si la bande de ponçage est utilisée trop à l'intérieur, ceci peut provoquer l'abrasion et l'endommagement de l'appareil. Régler la position de la bande de ponçage en tournant la vis de réglage (Fig. 13).
 - Tourner la vis de réglage dans le sens des aiguilles d'une montre pour déplacer la bande vers l'intérieur.
 - Tourner la vis de réglage dans le sens contraire des aiguilles d'une montre pour déplacer la bande vers l'extérieur.

⚠ AVERTISSEMENT

- Si la bande de ponçage est positionnée trop près de l'intérieur, elle peut entrer en contact avec le protecteur et produire des étincelles.
- Ne pas regarder à l'intérieur entre la courroie de ponçage et le revêtement. Autrement, des poussières ou autres débris risquent de pénétrer dans vos yeux.

REMARQUE

- Si la bande de ponçage bouge pendant l'utilisation, il est possible de faire des réglages en cours d'utilisation.
- Régler le cadran sur une vitesse lente (p. ex., sur le mode 1) facilite l'exécution du réglage.
- Si la bande de ponçage est positionnée trop près de l'intérieur, elle peut entrer en contact avec le protecteur et provoquer l'usure de la bande.

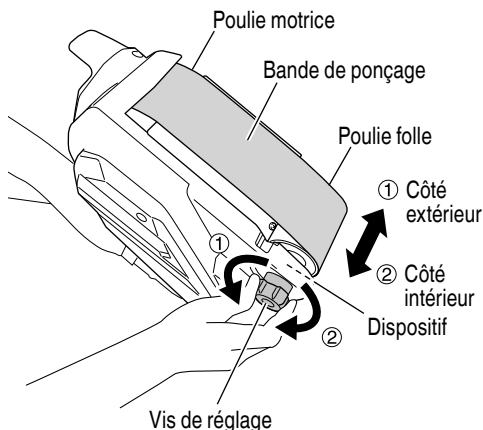


Fig. 13

2. Comment tenir la ponceuse à bande
 Tenir la poignée et le bouton de la poignée et tenir la poignée contre la surface à travailler de façon à ce qu'il soit en contact léger avec la surface.
 Tenir les deux poignées fermement et faire très attention d'éloigner les doigts des poulies et de la bande abrasive tout en travaillant.
 Le poids de l'appareil lui-même suffit au ponçage et au polissage en plein régime.
 Ne pas appliquer de pression supplémentaire au risque d'exercer une charge excessive sur le moteur, de réduire la durée de vie de la bande de ponçage et de réduire l'efficacité de l'appareil (Fig. 14).

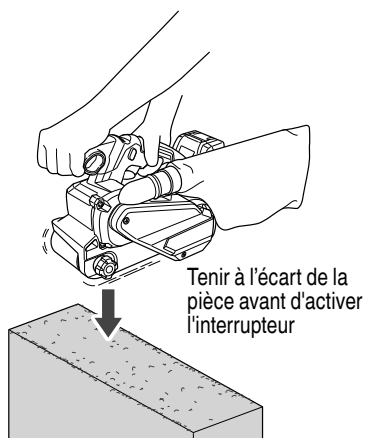


Fig. 14

3. Comment déplacer la ponceuse à bande
 Déplacer l'appareil vers l'avant puis vers l'arrière plusieurs fois. (Fig. 14)
4. Choix de la bonne bande de ponçage, d'une taille et d'un type de grain adaptés aux fins spécifiques. Vous reporter aux Tableaux 6 et 7 ci-après.

Tableau 6

Finition dérivée	Taille de grain appropriée
Finition grossière	30-40
Finition moyenne	40-100
Finition semi-fine	80-240
Finition fine	180-400

Tableau 7

Type de grain	Surface à travailler
AA	Acier, Bois
WA	Bois, Bambou

- Pour les tailles de grain, vous reporter au Tableau 6.
 - Le grain de la bande de ponçage doit être plus grosse que le papier de verre utilisé pour les travaux manuels.
 - Utiliser une bande de ponçage de la même taille de grain jusqu'à obtention d'une surface uniforme. Le changement de grain peut entraîner une mauvaise finition.
5. Mise en MARCHÉ et ARRÊT de la sableuse (Fig. 15)
 L'interrupteur d'alimentation est allumé lorsque la gâchette est tirée, et si le bouton de verrouillage est enfoncé une fois, l'interrupteur d'alimentation se verrouille, permettant un fonctionnement continu. Le bouton de verrouillage peut être libéré en tirant sur le contact (Fig. 15).

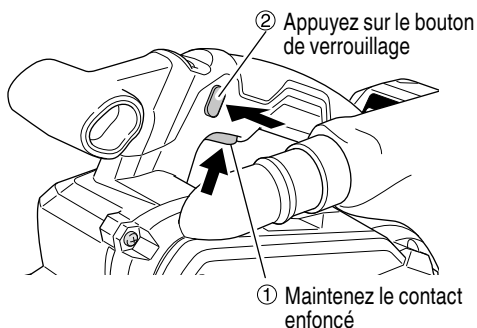


Fig. 15

Ne jamais mettre l'interrupteur d'alimentation sur MARCHÉ (ON) lorsque la sableuse est en contact avec la surface à sabler. Cette précaution est nécessaire pour éviter d'endommager la pièce à travailler. La même précaution doit être prise lorsque l'interrupteur d'alimentation est mis sur ARRÊT (OFF).

6. Ponçage des coins
 Les coins peuvent être poncés et polis en utilisant l'appareil comme cela est indiqué dans l'Fig. 16.

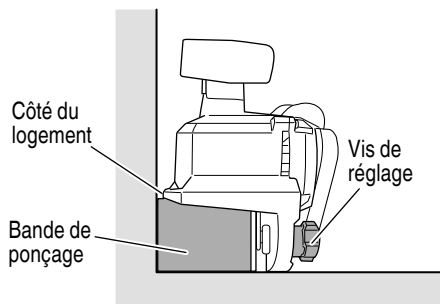


Fig. 16

⚠ PRÉCAUTION

- Immédiatement après l'utilisation, toujours vérifier que l'interrupteur est sur OFF et extraire la batterie.
- La sableuse pouvant aspirer de la poussière et des débris, veiller à ne pas la placer dans un endroit accusant une forte présence de poussière et de débris lorsqu'elle est encore en train de tourner tout de suite après l'utilisation.
- Ne pas mettre en marche l'outil sans fixer la bande abrasive. Sinon, cela risque d'endommager les poulies.

FIXATION DU CAPTEUR DE POUSSIÈRE

⚠ AVERTISSEMENT

- Pour plus de détails sur l'utilisation du collecteur de poussières et le type de poussière qui peut être collectée, lire le mode d'emploi du collecteur de poussière attentivement.

La fixation du coude au conduit de l'outil permet de connecter le collecteur de poussières de l'outil électrique metabo HPT. (Fig. 17)

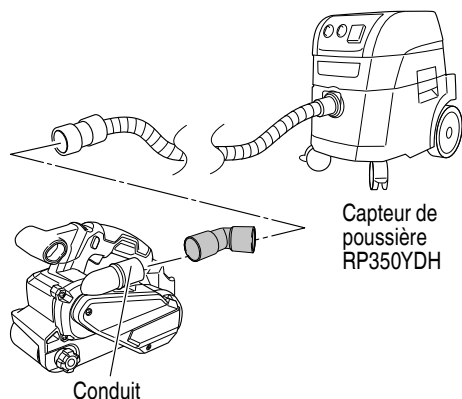


Fig. 17

TÉMOIN DE BATTERIE RÉSIDUELLE

Vous pouvez vérifier la capacité résiduelle de la batterie en appuyant sur le commutateur d'indicateur de batterie résiduelle pour allumer le témoin de l'indicateur. (Fig. 18, Tableau 8)

L'indicateur s'éteindra environ 3 secondes après avoir appuyé sur le commutateur de l'indicateur de batterie résiduelle.

Il est préférable d'utiliser l'indicateur de batterie résiduelle en tant que guide étant donné qu'il existe de légères différences, par exemple en fonction de la température ambiante et de l'état de la batterie.

De plus, l'indicateur de batterie résiduelle peut être différent de ceux équipés sur un outil ou un chargeur.

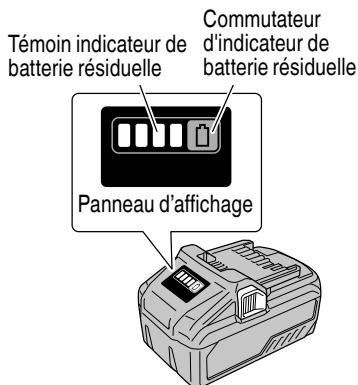


Fig. 18

Tableau 8

Statut de la lampe	Puissance batterie résiduelle
	S'allume ; La puissance résiduelle de la batterie est de plus de 75%.
	S'allume ; La puissance résiduelle de la batterie se situe entre 50 et 75%.
	S'allume ; La puissance résiduelle de la batterie se situe entre 25 et 50%.
	S'allume ; La puissance résiduelle de la batterie est de moins de 25%.
	Clignote ; La puissance résiduelle de la batterie est presque nulle. Rechargez la batterie le plus rapidement possible.
	Clignote ; Sortie suspendue en raison d'une température élevée. Retirez la batterie de l'outil et laissez-la refroidir complètement.
	Clignote ; Sortie interrompue en raison d'une défaillance ou un dysfonctionnement. Le problème ne provient peut-être pas de la batterie ; veuillez contacter votre revendeur.












Le témoin lumineux de puissance batterie résiduelle peut s'allumer différemment selon la température ambiante et les caractéristiques de la batterie. Utilisez donc ce tableau comme référence.

REMARQUE

Ne donnez pas de choc violent au panneau de commutation et ne le cassez pas. Cela peut provoquer des défaillances.

À PROPOS DU VOYANT D'ERREUR DE L'ADAPTATEUR SECTEUR

Tableau 9

Indications du témoin lumineux						
	Statut	Témoin d'alimentation (VERT)	Voyant d'erreur (ROUGE)		Indique	
Adaptateur	Avant utilisation	Clignote 	S'éteint 		Branché dans une source d'alimentation	
	Sous tension	S'allume 	S'éteint 		L'outil peut être utilisé	
	Alimentation suspendue	Clignote 	Clignote 	S'allume pendant 0,5 seconde. Ne s'allume pas pendant 0,5 seconde. (Éteint pendant 0,5 seconde) 		L'adaptateur ne peut pas être utilisé en raison d'une température élevée. (Peut être utilisé une fois que l'adaptateur a refroidi)
		S'allume 		S'allume pendant 0,1 seconde. Ne s'allume pas pendant 0,1 seconde. (Éteint pendant 0,1 seconde) 		Surcharge
Boîtier	Alimentation suspendue		Clignote 	S'allume pendant 0,5 seconde. Ne s'allume pas pendant 0,5 seconde. (Éteint pendant 0,5 seconde) 	Impossible à utiliser, car la température dans le boîtier est trop élevée (Peut être utilisé une fois que la boîte a refroidi)	

ENTRETIEN ET INSPECTION

⚠ **AVERTISSEMENT**

- **S'assurer d'éteindre l'interrupteur et de retirer la batterie avant de procéder à une inspection ou à un entretien.**

1. Vidage et nettoyage du sac à poussière (Fig. 19).
 - (1) Tenir le conduit et extraire le sac à poussière.
 - (2) L'entrée du sac peut être ouverte en dézipant la fermeture coulissante.

Si le sac à poussière contient trop de poussière, le captage de la poussière en sera affecté. Vider le sac à poussière dès que possible lorsqu'il est plein.

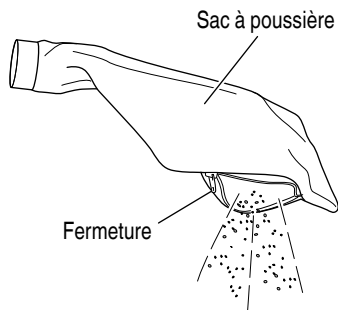


Fig. 19

2. Vérification de la bande abrasive
La performance abrasive de la bande abrasive diminue si ses particules abrasives sont usées ou bouchées, ce qui réduit considérablement l'efficacité de l'outil. Si cela se produit, remplacer par une nouvelle bande abrasive.
3. Inspection des vis
Inspecter régulièrement toutes les vis et s'assurer qu'elles sont serrées à fond. Si l'une des vis était desserrée, la resserrer immédiatement.

⚠ **PRÉCAUTION**

L'utilisation de cet outil électrique avec des vis desserrées est extrêmement dangereuse.

4. Entretien du moteur
Le bobinage de l'ensemble moteur est le "cœur" même de l'outil électro-portatif. Veiller soigneusement à ce que ce bobinage ne soit pas endommagé et/ou mouillé par de l'huile ou de l'eau.

5. Inspection des bornes (outil et batterie)
Assurez-vous qu'il n'y a pas de copeaux ou de poussières accumulés sur les bornes.
À l'occasion, vérifier avant, pendant et après le fonctionnement.

⚠ **PRÉCAUTION**

Retirez tous les copeaux ou la poussière qui se sont accumulés sur les bornes.
Le non-respect de cette consigne pourrait provoquer un dysfonctionnement.

6. Vérifier s'il y a de la poussière.

⚠ **AVERTISSEMENT**

Porter des lunettes de protection et un masque anti-poussière lors du nettoyage du sac à poussière avec un pistolet pneumatique. Le non-respect de cette consigne peut entraîner l'inhalation de débris ou de poussière ou leur exposition avec les yeux.

Utiliser un pistolet pneumatique ou un autre outil similaire pour enlever les matériaux, les copeaux, etc., qui sont collés sur le corps et essuyer avec un chiffon doux et sec ou un chiffon humecté d'eau savonneuse. N'utilisez pas de solvants à base de chlore, d'essence ou de diluant sous peine de faire fondre le plastique.

7. Mise au rebut d'une batterie usée

⚠ **AVERTISSEMENT**

Ne pas jeter la batterie usée aux ordures ménagères. La batterie risque d'exploser si elle est incinérée. La batterie est recyclable. Lorsqu'elle a atteint sa limite de service, selon les lois des états et les lois locales, il peut être illégal de jeter cette batterie aux ordures ménagères. Vérifier auprès de son service de ramassage d'ordures les options de recyclage et la procédure correcte de mise au rebut.

8. Rangement
Stocker l'outil électrique et la batterie dans un endroit où la température est inférieure à 40°C et hors de portée des enfants.

REMARQUE

Stockage des batteries au lithium-ion

Assurez-vous que les batteries au lithium-ion ont été entièrement chargées avant de les stocker.

Le stockage prolongé (3 mois ou plus) de batteries faiblement chargées peut entraîner une détérioration des performances, réduisant considérablement la durée d'autonomie des batteries alors incapables de tenir une charge.

Il est cependant possible de recouvrer la capacité d'autonomie d'une batterie considérablement endommagée en alternant deux à cinq fois charge et utilisation.

Si la durée d'autonomie de la batterie reste extrêmement courte malgré les charges et utilisations consécutives, considérez la batterie en fin de vie et procurez-vous en une neuve.

9. Entretien et réparation

Tous les outils motorisés de qualité auront éventuellement besoin d'une réparation ou du remplacement d'une pièce à cause de l'usure normale de l'outil. Pour assurer que seules des pièces de rechange autorisées seront utilisées, tous les entretiens et les réparations doivent être effectués uniquement par UN CENTRE DE SERVICE metabo HPT AUTORISÉ.

⚠ PRÉCAUTION

Lors de l'utilisation et de l'entretien d'un outil électrique, respecter les règlements et les normes de sécurité en vigueur dans le pays en question.

Avis important sur les batteries pour outils électriques sans fil metabo HPT

Toujours utiliser une de nos batteries originales spécifiées. Nous ne saurions garantir la sécurité et la performance de notre outil électrique sans fil s'il est utilisé avec une batterie autre que celle que nous avons spécifié, ou encore si la batterie est démontée et modifiée (par exemple, le démontage et remplacement des cellules ou autres composants internes).

ACCESSOIRES

⚠ AVERTISSEMENT

TOUJOURS utiliser uniquement des pièces de rechange et des accessoires metabo HPT. NE JAMAIS utiliser de pièce de rechange ou d'accessoires qui ne sont pas prévus pour être utilisés avec cet outil. En cas de doute, contacter metabo HPT pour savoir si une pièce de rechange ou un accessoire particulier peuvent être utilisés en toute sécurité avec votre outil. L'utilisation de tout autre attachement ou accessoire peut être dangereux et peut causer des blessures ou des dommages mécaniques.

REMARQUE

Les accessoires sont sujets à changement sans obligation de la part de metabo HPT.

ACCESSOIRES STANDARD

SB3608DA (NN)	<input type="radio"/> Bande de ponçage infini (WA#80) (No de code. 939733)..... 1 <input type="radio"/> Sac à poussière (No de code. 379358M)..... 1 <input type="radio"/> Coude (No de code. 379359)..... 1
La batterie, le chargeur de batterie et le couvercle de la batterie ne sont pas inclus.	

ACCESSOIRES SUR OPTION vendus séparément

(1) Bande de ponçage infini

No de code	Taille de grain	Type de grain	Taille de la bande
939731	40	WA	3" x 21" (76 mm x 533 mm)
939732	60		
939733	80		
939734	100		
939735	120		
939736	150		
939737	180		
939738	240		
939739	30	AA	
939740	40		
939741	60		
939742	80		
939743	100		
939744	120		
939745	150		
939746	180		
939747	240		
939748	320		
939749	400		

- (2) Batterie (BSL36A18, BSL36B18)
- (3) Chargeur de batterie (UC18YFSL)
- (4) Couvercle de batterie (No de code. 329897)
- (5) Adaptateur secteur (ET36A)

REMARQUE

Les spécifications sont sujettes à modification sans aucune obligation de la part de metabo HPT.

INFORMACIÓN IMPORTANTE SOBRE SEGURIDAD

Antes de utilizar o de realizar cualquier trabajo de mantenimiento de esta herramienta eléctrica, lea y comprenda todas las precauciones de seguridad, advertencias e instrucciones de funcionamiento de este Manual de instrucciones.

La mayoría de los accidentes producidos en la operación y el mantenimiento de una herramienta eléctrica se deben a la falta de observación de las normas o precauciones de seguridad. Los accidentes normalmente podrán evitarse reconociendo una situación potencialmente peligrosa a tiempo y siguiendo los procedimientos de seguridad apropiados.

Las precauciones básicas de seguridad se describen en la sección "SEGURIDAD" de este Manual de instrucciones y en las secciones que contienen las instrucciones de operación y mantenimiento.

Para evitar lesiones o el daño de la herramienta eléctrica, los riesgos están identificados con ADVERTENCIAS en dicha herramienta y en este Manual de instrucciones.

No utilice **NUNCA** esta herramienta eléctrica de ninguna forma que no esté específicamente recomendada por metabo HPT.

SIGNIFICADO DE LAS PALABRAS DE SEÑALIZACIÓN

ADVERTENCIA indica situaciones potencialmente peligrosas que, si se ignoran, pueden resultar en la muerte o en lesiones de gravedad.

PRECAUCIÓN indica situaciones potencialmente peligrosas que, de no evitarse, pueden resultar en lesiones menores o moderadas, o causar daños en la herramienta eléctrica.

NOTA acentúa información esencial.

SEGURIDAD

ADVERTENCIAS DE SEGURIDAD GENERAL DE LA HERRAMIENTA ELÉCTRICA

⚠ ADVERTENCIA

Lea todas las advertencias de seguridad, instrucciones, ilustraciones y especificaciones proporcionadas con esta herramienta eléctrica.

Si no sigue las instrucciones que se indican a continuación, podrían producirse descargas eléctricas, incendios o lesiones graves.

Guarde todas las advertencias e instrucciones para futura referencia.

El término "herramienta eléctrica" en las advertencias hace referencia a la herramienta eléctrica que funciona con la red de suministro (con cable) o a la herramienta eléctrica que funciona con pilas (sin cable).

1) Seguridad en el área de trabajo

a) Mantenga la zona de trabajo limpia y bien iluminada.

Las zonas desordenadas o oscuras pueden provocar accidentes.

b) No utilice las herramientas eléctricas en entornos explosivos como, por ejemplo, en presencia de líquidos inflamables, gases o polvo.

Las herramientas eléctricas crean chispas que pueden hacer que el polvo desprenda humo.

c) Mantenga a los niños y transeúntes alejados cuando utilice una herramienta eléctrica.

Las distracciones pueden hacer que pierda el control.

2) Seguridad eléctrica

a) Los enchufes de las herramientas eléctricas tienen que ser adecuados a la toma de corriente.

No modifique el enchufe.

No utilice enchufes adaptadores con herramientas eléctricas conectadas a tierra.

Si no se modifican los enchufes y se utilizan tomas de corriente adecuadas se reducirá el riesgo de descarga eléctrica.

b) Evite el contacto corporal con superficies conectadas a tierra, como tuberías, radiadores y frigoríficos.

Hay mayor riesgo de descarga eléctrica si su cuerpo está en contacto con el suelo.

- c) **No exponga las herramientas eléctricas a la lluvia o a la humedad.**
La entrada de agua en una herramienta eléctrica aumentará el riesgo de descarga eléctrica.
- d) **No utilice el cable incorrectamente. No utilice el cable para transportar, tirar de la herramienta eléctrica o desenchufarla.**
Mantenga el cable alejado del calor, del aceite, de bordes afilados o piezas móviles. Los cables dañados o enredados aumentan el riesgo de descarga eléctrica.
- e) **Cuando utilice una herramienta eléctrica al aire libre, utilice un cable prolongador adecuado para utilizarse al aire libre.**
La utilización de un cable adecuado para usarse al aire libre reduce el riesgo de descarga eléctrica.
- f) **Si no se puede evitar el uso de una herramienta eléctrica en un lugar húmedo, utilice un suministro protegido mediante un dispositivo de corriente residual (RCD).**
El uso de un RCD reduce el riesgo de descarga eléctrica.
- 3) **Seguridad personal**
- a) **Esté atento, preste atención a lo que hace y utilice el sentido común cuando utilice una herramienta eléctrica.**
No utilice una herramienta eléctrica cuando esté cansado o esté bajo la influencia de drogas, alcohol o medicación.
La distracción momentánea cuando utiliza herramientas eléctricas puede dar lugar a importantes daños personales.
- b) **Utilice un equipo de protección. Utilice siempre una protección ocular.**
El equipo de protección como una máscara para el polvo, zapatos de seguridad antideslizantes, casco o protección para oídos utilizado para condiciones adecuadas reducirá los daños personales.
- c) **Evite un inicio involuntario. Asegúrese de que el interruptor está en "off" antes de conectar la herramienta a una fuente de alimentación y/o batería, cogerla o transportarla.**
El transporte de herramientas eléctricas con el dedo en el interruptor o el encendido de herramientas eléctricas con el interruptor encendido puede provocar accidentes.
- d) **Retire las llaves de ajuste antes de encender la herramienta eléctrica.**
Si se deja una llave en una pieza giratoria de la herramienta eléctrica podrían producirse daños personales.
- e) **No se extralimite. Mantenga un equilibrio adecuado en todo momento.**
Esto permite un mayor control de la herramienta eléctrica en situaciones inesperadas.
- f) **Vístase adecuadamente. No lleve prendas sueltas o joyas. Mantenga su pelo y la ropa alejados de las piezas móviles.**
La ropa suelta, las joyas y el pelo largo pueden pillarse en las piezas móviles.
- g) **Si se proporcionan dispositivos para la conexión de extracción de polvo e instalaciones de recogida, asegúrese de que están conectados y se utilizan adecuadamente.**
La utilización de un sistema de recogida de polvo puede reducir los riesgos relacionados con el polvo.
- h) **No permita que operar frecuentemente con herramientas le haga ser complaciente e ignorar los principios de seguridad de la herramienta.**
Una acción descuidada puede provocar lesiones severas en una fracción de segundo.
- 4) **Utilización y mantenimiento de las herramientas eléctricas**
- a) **No fuerce la herramienta eléctrica. Utilice la herramienta eléctrica correcta para su aplicación.**
La herramienta eléctrica correcta trabajará mejor y de forma más segura si se utiliza a la velocidad para la que fue diseñada.
- b) **No utilice la herramienta eléctrica si el interruptor no la enciende y apaga.**
Las herramientas eléctricas que no pueden controlarse con el interruptor son peligrosas y deben repararse.
- c) **Desconecte el conector de la fuente de alimentación o desconecte el paquete de baterías, si puede ser desmontado, de la herramienta eléctrica antes de realizar ajustes, cambiar accesorios o almacenar las herramientas eléctricas.**
Estas medidas de seguridad preventivas reducen el riesgo de que la herramienta eléctrica se ponga en marcha accidentalmente.
- d) **Guarde las herramientas eléctricas que no se utilicen para que no las cojan los niños y no permita que utilicen las herramientas eléctricas personas no familiarizadas con las mismas o con estas instrucciones.**
Las herramientas eléctricas son peligrosas si son utilizadas por usuarios sin formación.
- e) **Mantenga adecuadamente las herramientas eléctricas y los accesorios. Verifique el fallo de alineación o de unión de las partes móviles, la rotura de las partes y otras condiciones que puedan afectar a la operación de la herramienta eléctrica. Si sufre daños, solicite una reparación de la herramienta eléctrica antes de ser utilizada.**
Se producen muchos accidentes por no realizar un mantenimiento correcto de las herramientas eléctricas.

- f) **Mantenga las herramientas de corte afiladas y limpias.**
Las herramientas de corte correctamente mantenidas con los bordes de corte afilados son más fáciles de controlar.
- g) **Utilice la herramienta eléctrica, los accesorios y las brocas de la herramienta, etc. de acuerdo con estas instrucciones, teniendo en cuenta las condiciones laborales y el trabajo que se va a realizar.**
La utilización de la herramienta eléctrica para operaciones diferentes a pretendidas podría dar lugar a una situación peligrosa.
- h) **Mantenga los asideros y las superficies de agarre secas, limpias y libres de aceite y grasa.**
Los asideros y las superficies de agarre resbaladizas no permiten un manejo y un control seguros de la herramienta en situaciones inesperadas.
- 5) **Utilización y cuidado de las herramientas a pilas**
- a) **Recargue sólo con el cargador especificado por el fabricante.**
Un cargador que es apto para un tipo de paquete de pilas podría crear un riesgo de incendio cuando se utiliza con otro paquete de pilas.
- b) **Utilice herramientas eléctricas sólo con paquetes de pilas específicamente diseñados.**
La utilización de otros paquetes de pilas podría crear riesgo de daños e incendio.
- c) **Cuando no se utilice el paquete de pilas, manténgalo alejado de otros objetos metálicos como clips, monedas, llaves, clavos, tornillos u otros objetos metálicos pequeños que puedan hacer una conexión de un terminal a otro.**
Si se acortan los terminales de las pilas podrían producirse quemaduras o incendios.
- d) **Bajas condiciones abusivas, podría expulsarse líquido de la pila; evite todo contacto. En caso de que se produzca contacto accidentalmente, enjuague con agua. Si entra líquido en los ojos, busque ayuda médica.**
El líquido expulsado de la pila podría causar irritación o quemaduras.
- e) **No use paquetes de baterías o herramientas dañados o modificados.**
Las baterías dañadas o modificadas podrían comportarse impredeciblemente y causar un incendio, una explosión o riesgo de lesiones.
- f) **No exponga los paquetes de batería o las herramientas al fuego o temperaturas excesivas.**
La exposición al fuego o a temperaturas por encima de 265 °F pueden causar una explosión.

- g) **Siga todas las instrucciones de carga y no cargue el paquete de baterías ni la herramienta fuera de la gama de temperatura especificada en las instrucciones.**
La carga incorrecta o a temperaturas fuera de la gama especificada pueden dañar la batería y aumentar el riesgo de incendio.

- 6) **Revisión**
- a) **Lleve su herramienta a que la revise un experto cualificado que utilice sólo piezas de repuesto idénticas.**
Esto garantizará el mantenimiento de la seguridad de la herramienta eléctrica.
- b) **Nunca dé servicio a paquetes de baterías dañados.**
El servicio de los paquetes de baterías solo debe ser realizado por el fabricante o proveedores de servicios autorizados.

– ADVERTENCIA –

Para disminuir el riesgo de lesiones, el usuario debe leer el manual de instrucciones.

NORMAS Y SÍMBOLOS ESPECÍFICOS DE SEGURIDAD

- Sostenga la herramienta eléctrica por las superficies de agarre aisladas puesto que la superficie de lijado podría entrar en contacto con cables ocultos.**
Cortar un cable con corriente puede hacer que las partes metálicas expuestas de la herramienta eléctrica se “energicen” y provocar una descarga eléctrica al operador.
 - Utilice agarraderas u otra forma práctica para fijar y soportar la pieza a una plataforma estable.**
Si sujeta el trabajo con la mano o contra el cuerpo hace que esté inestable y podría hacer que se pierda el control.
 - SIEMPRE utilice protectores auditivos cuando tenga que utilizar la herramienta durante mucho tiempo.**
La exposición prolongada a ruido de gran intensidad puede causar la sordera.
- 
- NO toque NUNCA una broca de la herramienta con las manos desnudas después de la operación.**
 - SIEMPRE coja firmemente la lijadora de banda.**
 - NO toque NUNCA las piezas móviles.**
NO coloque NUNCA sus manos, dedos, ni demás partes del cuerpo cerca de las piezas móviles de la herramienta.

7. **NO utilice NUNCA la herramienta sin los protectores colocados en su lugar.**
NO utilice NUNCA esta herramienta sin los protectores de seguridad correctamente instalados. Si el trabajo de mantenimiento o de reparación requiere el desmontaje de un protector de seguridad, cerciórese de volver a instalarlo antes de utilizar la herramienta.
 8. **Utilice la herramienta correcta.**
No fuerce herramientas ni accesorios pequeños para realizar un trabajo pesado.
No utilice las herramientas para fines no proyectados, por ejemplo, no utilice una sierra circular para cortar ramas o lenos.
 9. **NO utilice NUNCA una herramienta eléctrica para aplicaciones que no sean las especificadas.**
NO utilice NUNCA una herramienta eléctrica para aplicaciones no especificadas en este Manual de instrucciones.
 10. **Maneje correctamente la herramienta.**
Maneje la herramienta de acuerdo con las instrucciones ofrecidas aquí. No deje caer ni tire la herramienta. NO permita NUNCA que los niños ni otras personas no autorizadas ni familiarizadas con la operación de la herramienta utilicen ésta.
 11. **Mantenga todos los tornillos, pernos, y cubiertas firmemente fijados en su lugar.**
Mantenga todos los tornillos, pernos, y cubiertas firmemente montados. Compruebe periódicamente su condición.
 12. **No utilice herramientas eléctricas si la carcasa o la empuñadura de plástico está rajada.**
Las rajaduras en la carcasa o en la empuñadura de plástico pueden conducir a descargas eléctricas. Tales herramientas no deberán utilizarse mientras no se hayan reparado.
 13. **La banda de lijado y los accesorios deben estar instalados correctamente a la herramienta.**
Evite lesiones personales y de otras personas. La banda de lijado y los accesorios que hayan sido instalados a la herramienta deben estar bien asegurados y apretados.
 14. **La banda de lijado y los accesorios deben estar instalados correctamente a la herramienta.**
El conducto de ventilación del motor limpio para que el aire pueda circular libremente en todo momento. La banda de lijado y los accesorios que hayan sido instalados a la herramienta deben estar bien asegurados y apretados.
 15. **NO utilice NUNCA una herramienta defectuosa o que funcione anormalmente.**
Si la herramienta parece que funciona anormalmente, produciendo ruidos extraños, etc., deje inmediatamente de utilizarla y solicite su arreglo a un centro de servicio autorizado por metabo HPT.
 16. **NO deje NUNCA la herramienta en funcionamiento desatendida. Desconecte su alimentación.**
No deje sola la herramienta hasta mientras no se haya parado completamente.
 17. **Maneje con cuidado las herramientas eléctricas.**
Si una herramienta eléctrica se ha caído o ha chocado inadvertidamente contra materiales duros, es posible que se haya deformado, rajado, o dañado.
 18. **No limpie las partes de plástico con disolvente.**
Los disolventes, como gasolina, diluidor de pintura, bencina, tetracloruro de carbono, y alcohol pueden dañar o rajar las partes de plástico. No las limpie con tales disolventes.
Limpie las partes de plástico con un paño suave ligeramente humedecido en agua jabonosa y después séquelas bien.
 19. **SIEMPRE utilice gafas protectoras que cumplan con los requerimientos de la última revisión de la norma ANSI Z87.1.**
- 
20. **NUNCA** deje la lijadora de banda sobre una mesa, suelto, etc., mientras esté girando.
 21. **No** aplique NUNCA agua ni aceite lubricante, o podrían producirse descargas eléctricas.
 22. **SIEMPRE** opere la lijadora de banda de modo seguro para el uso correcto.
Esta lijadora de banda es una lijadora de superficie plana en seco y portátil que fue diseñada para el acabado de la madera, las superficies de metal y los profundos.
 23. Asegúrese de que no haya grietas, arañazos u otras anomalías en la almohadilla antes de usarla.
 24. Use la banda de lijado y los accesorios especificados por metabo HPT.
 25. No deje la herramienta en marcha. Opere la herramienta sólo mientras la sujeta con la mano.
 25. No lleve guantes de trabajo al manipular la herramienta, porque ese tipo de prenda puede quedar atrapada.
 27. Cuando trabaje en lugares elevados, no permita que haya nadie en el área, y tenga en cuenta las condiciones del lugar situado debajo de usted.
 28. Al lijar metal, se generan chispas. Mantenga a otras personas y las sustancias inflamables alejadas de la zona de trabajo.
 29. **SIEMPRE** lleve una máscara protectora cuando opere la lijadora orbital excéntrica.
Ventile el área de trabajo adecuadamente cuando realice operaciones de lijado.
 30. Alinee la marca de flecha del lado interior de la banda de lijado con la marca correspondiente de la herramienta.
 31. Debe evitarse lijar aplicando impacto y cortando mediante contacto con el lateral de la cinta.

32. Tenga cuidado con las chispas procedentes del lijado.
33. Observe que la pieza no tiene clavos u otras materias extrañas dañinas.
34. No se recomienda fibra de vidrio lijadora.
35. Tras la operación, elimine el polvo de la cinta y las poleas.
36. Coloque la pieza de trabajo sobre una superficie firme cuando lije.
37. No lije una placa de acero durante largos períodos de tiempo mientras aplica una presión excesiva. Las partículas del lijado calientes aumentan el riesgo de dañar la bolsa colectora de polvo.
38. Compruebe que la banda de lijado esté libre de agrietada u otros daños antes de usarla.
39. Definiciones para las magnitudes utilizadas en esta herramienta
Vtensión eléctrica
---corriente continua
Novelocidad sin carga
---/min.....revoluciones o reciprocación por minuto

En los siguientes casos, limpie la bolsa colectora de polvo y elimine totalmente el polvo.
El polvo restante en la bolsa colectora de polvo puede causar incendios.

- Lijar láminas de acero luego de lijar materiales como madera.
 - Tras finalizar trabajos de lijado.
- No tire el polvo de lijado sobre el fuego, ya que los materiales en forma de partículas finas pueden ser explosivos:
40. Como la herramienta eléctrica inalámbrica opera con alimentación de batería, tenga en cuenta el hecho de que puede comenzar a operar en cualquier momento.
 41. Cuando trabaje en lugares elevados, no permita que haya nadie en el área, y tenga en cuenta las condiciones del lugar situado debajo de usted.
 42. No use el producto si la herramienta o los terminales de la batería (el soporte de la batería) están deformados.
Instalar tal batería podría causar un cortocircuito que podría resultar en emisiones de humo o incendios.
 43. Mantenga los terminales de la herramienta (soporte de la batería) libres de virutas y polvo.
 - Antes de su uso, asegúrese de que no se han acumulado virutas ni polvo en la zona de los terminales.
 - Durante el uso, intente evitar que las virutas o el polvo de la herramienta caigan sobre la batería.
 - Al suspender la operación o tras el uso, no deje la herramienta en un área donde pueda estar expuesta a las virutas o al polvo que caen.
De lo contrario, podría causar un cortocircuito que podría resultar en emisiones de humo o incendios.
 44. Utilice siempre la herramienta y la batería a temperaturas entre 23°F (-5°C) y 104°F (40°C).

INSTRUCCIONES IMPORTANTES DE SEGURIDAD PARA EL CARGADOR O ADAPTADOR

El término “cargador o adaptador” en las instrucciones de seguridad hace referencia al cargador de baterías o al adaptador de CA/CC.

⚠ ADVERTENCIA

La utilización inadecuada del cargador o adaptador puede resultar en lesiones serias o en la muerte. Para evitar estos riesgos, siga las instrucciones de seguridad ofrecidas a continuación.

LEA TODAS LAS INSTRUCCIONES

1. Este manual contiene instrucciones importantes de seguridad para el cargador de baterías modelo UC18YFSL o el adaptador de CA/CC modelo ET36A.
2. Antes de utilizar el cargador o adaptador, lea todas las instrucciones y tenga en cuenta las marcas de precaución de (1) el cargador o adaptador, (2) la batería y (3) el producto que utiliza la batería.
3. Cuando cargue la batería con un cargador de baterías, reduzca el riesgo de lesiones mediante la carga de la batería recargable de metabo HPT de las series de tipo voltio múltiple y BSL18. Otros tipos de baterías podrían explotar causando lesiones y daños.
4. No exponga el adaptador de CA/CC a la lluvia ni a la nieve.
5. La utilización de un accesorio no recomendado o vendido por el fabricante del cargador o adaptador puede resultar en el riesgo de incendios, en descargas eléctricas o en lesiones.
6. Para reducir el riesgo de dañar el cable y el enchufe, para desconectar el cable del cargador o adaptador, tire del enchufe.
7. Cerciórese de que el cable quede situado donde no pueda pisarse, donde nadie pueda tropezar con él, y donde no pueda recibir daños.
8. A menos que sea absolutamente necesario, no deberá utilizarse un cable prolongador. La utilización de un cable prolongador inadecuado podría resultar en el riesgo de incendios y descargas eléctricas.
Cuando tenga que utilizar un cable prolongador, cerciórese de que:
 - a. El enchufe del cable prolongador sea igual en tamaño y forma que el del cargador o adaptador;
 - b. El cable prolongador esté adecuadamente conectado y en buenas condiciones eléctricas; y
 - c. El calibre del cable sea suficiente para el amperaje de CA del cargador o adaptador, como se especifica en la Tabla 1.

Tabla 1

**CALIBRE (AWG) MÍNIMO RECOMENDADO PARA CABLES
PROLONGADORES PARA EL CARGADOR O ADAPTADOR**

Amperaje nominal de entrada de CA*		Calibre (AWG) del cable			
Igual o superior a	pero inferior a	Longitud del cable, Pies (metros)			
		25 (7.5)	50 (15)	100 (30)	150 (45)
0	2	18	18	18	16
2	3	18	18	16	14
3	4	18	18	16	14

- * Si la entrada nominal del cargador o adaptador se indica en vatios en vez de amperios, el amperaje nominal correspondiente se determinará dividiendo el vataje por la tensión, por ejemplo:

$$\frac{1,250 \text{ vatios}}{125 \text{ voltios}} = 10 \text{ amperios}$$

9. No utilice el cargador o adaptador con un cable o un enchufe dañado. Si están dañados, reemplácelos inmediatamente.
10. No utilice el cargador o adaptador si ha recibido un golpe, si ha caído o si está dañado de alguna otra forma. Llévelo a un técnico cualificado.
11. No desarme el cargador o adaptador. Cuando necesite reparación, llévelo a un técnico cualificado. El reensamblaje incorrecto podría resultar en el riesgo de incendios o descargas eléctricas.
12. Para reducir el riesgo de descargas eléctricas, desenchufe el cargador o adaptador del tomacorriente antes de intentar realizar cualquier operación de mantenimiento o de limpiarlo. La extracción de la batería no reducirá este riesgo.
13. Este adaptador de CA/CC solo debe utilizarse con herramientas específicas, como SB3608DA. El adaptador puede ser apto para utilizarse con otras herramientas alimentadas con batería metabo HPT. Es necesario confirmar su aptitud en el manual de instrucciones de la herramienta específica o en nuestro sitio web (<https://www.metabo-hpt.com/>). No confirmar esta aptitud antes de utilizar el adaptador con herramientas específicas puede causar peligro de incendio.

**INSTRUCCIONES IMPORTANTES DE
SEGURIDAD PARA LA BATERÍA Y EL
CARGADOR O ADAPTADOR**

Usted deberá cargar la batería antes de utilizar la herramienta eléctrica. Antes de utilizar el cargador de baterías modelo UC18YFSL, cerciórese de leer todas las instrucciones y precauciones del mismo, de la batería, y de este manual.

⚠ PRECAUCIÓN
USE ÚNICAMENTE LOS MODELOS DE BATERÍA DE metabo HPT DE LA SERIE MULTIVOLTAJE. LOS DEMÁS TIPOS DE BATERÍAS PODRÍAN EXPLOTAR Y CAUSAR LESIONES!

Para evitar el riesgo de lesiones, siga las instrucciones ofrecidas a continuación:

⚠ ADVERTENCIA
La utilización inadecuada de la batería o del cargador de baterías puede conducir a lesiones serias. Para evitar estas lesiones:

1. **NUNCA** desarme la batería ni el adaptador de CA/CC.
2. **NUNCA** incinere una batería ni un adaptador de CA/CC, aunque estén dañados o completamente agotados. La batería puede explotar en el fuego.
3. **NUNCA** cortocircuite la batería ni el adaptador de CA/CC.
4. **NUNCA** inserte ningún objeto en las ranuras de ventilación del cargador o adaptador. Si lo hiciese podría recibir descargas eléctricas o dañar el cargador o adaptador.
5. **NUNCA** cargue en exteriores. Mantenga la batería o el adaptador de CA/CC alejados de la luz solar directa, y utilícelos solamente donde haya poca humedad y una buena ventilación.
6. **NUNCA** cargue cuando la temperatura sea inferior a 32°F (0°C) o superior a 104°F (40°C). (UC18YFSL)
NUNCA cargue cuando la temperatura sea inferior a 32°F (0°C) o superior a 104°F (40°C). (ET36A)
7. **NUNCA** conecte dos cargadores o adaptadores juntos.
8. **NUNCA** inserte objetos extraños en el orificio para la batería ni en el cargador o adaptador.

9. **NUNCA** utilice un transformador elevador.
10. **NUNCA** utilice una fuente de alimentación de CC.
11. **NUNCA** almacene la batería ni el cargador o adaptador en lugares en los que la temperatura pueda llegar a los 104°F (40°C) o superar dicha temperatura, como dentro de una caja metálica o un auto.
12. **NUNCA** exponga la batería ni el cargador o adaptador a condiciones de lluvia o humedad.
13. **SIEMPRE** utilice el cargador o adaptador con un tomacorriente (120 V). La utilización de un cargador o adaptador con cualquier otra tensión podría hacer que este se recalentase y dañase.
14. **SIEMPRE** espere 15 minutos por lo menos entre las cargas para evitar que el cargador se recaliente. (UC18YFSL)
15. **SIEMPRE** desconecte el cable de alimentación del tomacorriente cuando no vaya a utilizar el cargador o adaptador.

[La información que sigue solo se aplica a ET36A]

16. No use el producto si la herramienta o los terminales del adaptador de CA/CC (montaje del adaptador de CA/CC) están deformados.
Instalar el adaptador de CA/CC podría causar un cortocircuito que podría resultar en emisiones de humo o incendios.
17. Mantenga los terminales de la herramienta (montaje del adaptador de CA/CC) libres de virutas y polvo.
 - Antes de usarlo, asegúrese de que las virutas y el polvo no se han acumulado en el área de los terminales.
 - Durante el uso, intente evitar que las virutas o el polvo de la herramienta caigan al adaptador de CA/CC.
 - Cuando suspenda la operación o luego del uso, no deje la herramienta en un área en la que pueda estar expuesta a la caída de virutas o polvo.
De lo contrario, podría causar un cortocircuito que podría resultar en emisiones de humo o incendios.
18. Este producto está diseñado para ser usado en entornos de Nivel de contaminación 2 o PD2. Utilizar solo en áreas de contaminación no conductiva. Cabe esperar que se produzca una conductividad temporal provocada por la condensación.
19. Esta es una máquina de precisión, así que no debe dejarla caer ni someterla a impactos.
20. No utilice este producto cerca de un marcapasos u otro dispositivo implantado similar, dado que puede verse afectado por el campo magnético que genera este producto.
21. El adaptador, la caja de fuente de potencia y el interior del cable de CC generan un alto voltaje potenciado de 380 V, así que debe tener precaución con lo siguiente.
 - No desmonte el producto.
 - No lo deje caer ni lo exponga a impactos.
Si el producto sufre daños por un impacto fuerte, no lo utilice.

- No utilice el producto en áreas expuestas a lluvia, nieve, polvo de hierro o a la humedad.
- No toque el producto con las manos mojadas.
- No vierta ni deje caer líquido sobre el producto.
- No jale del cable con fuerza excesiva.
- Utilice el producto en un entorno bien ordenado.

⚠ PRECAUCIÓN

1. Cuando la rejilla de ventilación esté obstruida de objetos como astillas de madera, intente mantener los objetos alejados mientras limpia la rejilla (si no se realiza un mantenimiento apropiado, la función de protección de temperatura puede apagar el producto).
2. Si la función de protección de temperatura suele apagar la alimentación, no sobrecargue la máquina con trabajos continuados; deje descansar la máquina brevemente antes de continuar la operación.
3. La máquina se calienta. Sin embargo, esto no indica una anomalía.
Mantenga la electricidad en funcionamiento y opere el ventilador interno para que enfrie la máquina antes de llevarla a otro sitio.
Cuando transporte el producto, asegúrese de usar el armazón de cable. La carcasa puede estar caliente, así que debe tener cuidado.
4. Durante la utilización, no tire del cable para mover la caja. Si lo hace, podrían producirse daños.
5. No use más de un solo carrete de cable de 30 metros. Si lo hace, podrían producirse daños.
6. Durante la utilización, si la máquina deja de funcionar después de que parpadee la luz LED de la caja, confirme el entorno de la fuente de alimentación.
7. No arrastre el cable al usar o transportar la máquina. Hacerlo podría romper el aislamiento del cable o el propio cable, lo que podría resultar en un choque eléctrico.
8. No estire el cable más allá de lo requerido.
Cuando utilice herramientas como tijeras de jardinero o sierras circulares, tenga en cuenta siempre la posición del cable de alimentación para evitar cortar el cable durante la operación.
9. Para usar el adaptador de CA/CC luego de que se apague debido a una temperatura elevada, desconecte la clavija de alimentación de la caja, espere a que la luz LED se apague y, luego, reconecte la clavija de alimentación de la caja.
Si la máquina se apaga incluso luego de enfriarla suficientemente con el ventilador incorporado, deje de usarla, ya que puede haber un problema con ella.
10. No use este producto cerca de una radio. Hacerlo puede causar ruido en la radio, lo que podría complicar la escucha de emisiones.
11. Esta fuente de potencia está diseñada para productos de varios voltajes. No la use con productos o cargadores de 18 V. Hacerlo podría resultar en daños.

12. El comportamiento de sobrecarga puede diferir cuando se compara con el uso de la batería BSL36B18. Cuando conecta la batería al cargador, solo el LED del cargador debe parpadear en la unidad principal, pero el LED del adaptador de CA/CC también puede parpadear.

PRECAUCIONES PARA EL ADAPTADOR DE CA/CC

El adaptador está equipado con la función de protección para detener la salida. En los casos 1 y 2 descritos más abajo, cuando utilice este producto, incluso si tira del interruptor, el motor puede detenerse. No es un problema, sino el resultado de la función de protección.

1. Si la herramienta se sobrecarga, la salida puede detenerse. En este caso, suelte el interruptor de la herramienta y elimine las causas de la sobrecarga.
2. Si el adaptador se calienta excesivamente al realizar un trabajo de sobrecarga, la salida podría pararse. En este caso, deje de utilizar el adaptador y desconéctelo de la herramienta. Deje que el adaptador se enfríe en un lugar como un área sombreada con una buena circulación del aire.

ADVERTENCIA DE LA BATERÍA DE LITIO

Para ampliar su duración, la batería de litio está equipada con la función de protección para detener la salida.

En los casos 1 a 3 descritos más abajo, cuando utilice este producto, incluso si tira del interruptor, el motor puede detenerse. No es un problema, sino el resultado de la función de protección.

1. Cuando la batería restante se agota, el motor se detiene. En este caso, cárguela inmediatamente.
2. Si la herramienta se sobrecarga, el motor puede detenerse. En este caso, suelte el interruptor de la herramienta y elimine las causas de la sobrecarga. A continuación, puede volverla a utilizar.
3. Si la batería se calienta excesivamente al realizar un trabajo de sobrecarga, la potencia de la batería podría pararse. En este caso, deje de utilizar la batería y deje que se enfríe. Posteriormente puede utilizarla de nuevo.

Asimismo, preste atención a las siguientes advertencias y precauciones.

⚠️ ADVERTENCIA

Para evitar fugas de la batería, generación de calor, emisión de humo, explosiones e igniciones, preste atención a las siguientes precauciones.

1. Asegúrese de que no entran virutas o polvo en la batería.
- Durante el trabajo, asegúrese de que no caen virutas o polvo en la batería.

- Asegúrese de que las virutas o el polvo que caen sobre la herramienta eléctrica durante el trabajo no entran en la batería.
 - No almacene una batería sin utilizar en un lugar expuesto a virutas y polvo.
 - Antes de almacenar una batería, retire las virutas y el polvo que se haya adherido y no la almacene junto a piezas metálicas (tornillos, clavos, etc.).
2. No agujeree la batería con un objeto afilado como un clavo, no la golpee con un martillo, la pise, la tire o la esponja a fuertes impactos físicos.
 3. No utilice una batería que pudiera estar dañada o deformada.
 4. No utilice la batería para un fin diferente a los especificados.
 5. Si la carga de la batería no finaliza incluso cuando ha transcurrido un determinado tiempo de recarga, detenga inmediatamente la recarga.
 6. No coloque o esponja la batería a temperaturas elevadas o alta presión como en un microondas, una secadora o un contenedor de gran presión.
 7. Aléjela del fuego inmediatamente cuando se detecte una fuga o un olor raro.
 8. No la utilice en un lugar donde se genere gran electricidad estática.
 9. Si hay una fuga de la batería, mal olor, se genera color, está descolorida o deformada, o de algún modo funciona de forma anormal durante su utilización, recarga o almacenamiento, retírela inmediatamente del equipo o del cargador de la batería y detenga su utilización.
 10. No sumerja la batería ni permita que fluidos entren en ella. La entrada de líquidos conductores, como el agua, puede provocar daños que resulten en incendios o explosiones. Guarde la batería en un lugar fresco y seco, alejado de los materiales combustibles e inflamables. Las atmósferas con gases corrosivos deben ser evitadas.

⚠️ PRECAUCIÓN

1. Si el líquido de fuga de la batería entra en contacto con los ojos, no se los frote y lávelos bien con agua limpia como, por ejemplo, agua del grifo y póngase en contacto con un médico inmediatamente. Si no se trata, el líquido podría causar problemas de visión.
2. Si el líquido de fuga entra en contacto con la piel o la ropa, lávela bien con agua limpia como, por ejemplo, agua del grifo inmediatamente. Podría producir irritación de la piel.
3. Si observa óxido, mal olor, recalentamiento, decoloración, deformación y/u otras irregularidades al utilizar la batería por primera vez, no la utilice y devuélvasela a su proveedor o distribuidor.

⚠ ADVERTENCIA

Si un objeto extraño conductor de electricidad entra en los terminales de la batería de litio, podría producirse un cortocircuito, resultando en un riesgo de incendio. Por favor, respete los siguientes consejos cuando almacene la batería.

- No coloque cortes conductivos, clavos, cables de acero, cables de cobre u otros cables en la caja de almacenamiento.
- Instale el paquete de baterías en la herramienta eléctrica o almacénelo presionando la tapa de baterías hasta que se oculten los orificios de ventilación para evitar cortocircuitos. (Ver Fig. 3)

A PROPÓSITO DEL TRANSPORTE DE LA BATERÍA DE IONES DE LITIO

Al transportar una batería de iones de litio, tenga en cuenta las siguientes precauciones.

⚠ ADVERTENCIA

Notifique a la compañía de transporte que un paquete contiene una batería de iones de litio, informe a la compañía eléctrica de su potencia de salida y siga las instrucciones de la compañía de transporte al preparar su transporte.

- Las baterías de iones de litio que superen una potencia de salida de 100 Wh se considera que son materiales peligrosos en la Clasificación de Transporte y requieren procedimientos de aplicación especiales.
- Para el transporte en el extranjero, deberá cumplir con las leyes internacionales y las normas y regulaciones del país de destino.

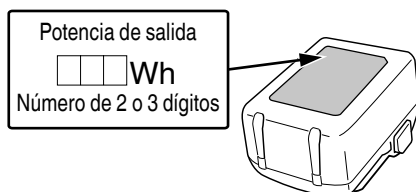


Fig. 1

**¡GUARDE ESTAS INSTRUCCIONES
Y
PÓNGALAS A DISPOSICIÓN DE
OTROS USUARIOS
Y
PROPIETARIOS DE ESTA
HERRAMIENTA!**

DESCRIPCIÓN FUNCIONAL

NOTA

La información contenida en este Manual de instrucciones ha sido diseñada para ayudarle a utilizar con seguridad y mantener esta herramienta eléctrica.

NUNCA haga funcionar ni efectúe el mantenimiento de la herramienta antes de leer y comprender todas las instrucciones de seguridad contenidas en este manual.

Algunas ilustraciones de este Manual de Instrucciones pueden mostrar detalles o accesorios diferentes a los de la propia herramienta eléctrica.

NOMENCLATURA

1. Lijadora de banda inalámbrica

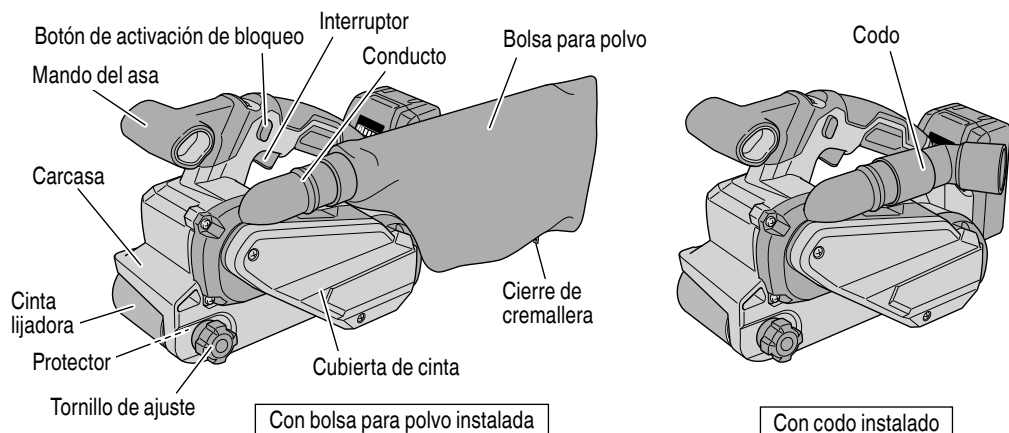
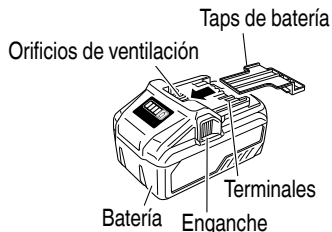


Fig. 2

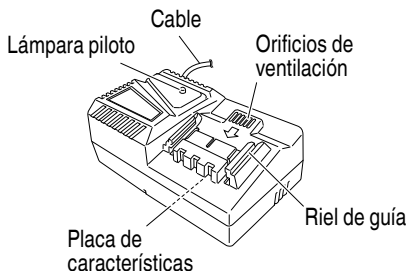
2. Batería
(accesorios opcionales...de venta por separado)



<BSL36B18>

Fig. 3

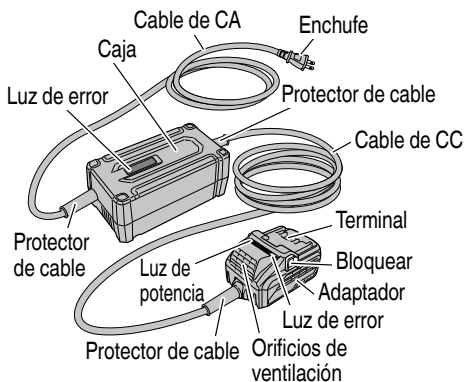
3. Cargador de baterías
(accesorios opcionales...de venta por separado)



<UC18YFSL>

Fig. 4

4. Adaptador de CA/CC
(accesorios opcionales...de venta por separado)



<ET36A>

Fig. 5

ESPECIFICACIONES

1. Lijadora de banda inalámbrica

Modelo		SB3608DA
Motor		Motor sin escobillas CC
Tamaño de la cinta lijadora		3' x 21" (76 mm x 533 mm)
Velocidad de cinta sin carga		400–1,475 pies/min (122–450 m/min)
Fuente de alimentación	Tipo*	Batería de Li-ion modelo BSL36B18 / adaptador de CA/CC modelo ET36A (vendido por separado)
	Tensión	36 V
Peso		9.9 lbs. (4.5 kg) (BSL36DB18 y bolsa para polvo instalada)

* Las baterías existentes (series BSL3660/3626/3620, BSL18 y BSL14) no pueden ser usadas con esta herramienta. Si usa el adaptador de CA/CC, lea y comprenda su manual antes de operar la herramienta eléctrica.

2. Cargador de baterías

Modelo	UC18YFSL
Fuente de alimentación de entrada	Monofásica: AC 120 V 60 Hz
Tiempo de carga (A una temperatura de 68°F (20°C))	BSL36B18: Aprox. 120 min
Tensión de carga	14.4 V–18 V CC
Corriente de carga	CC 3.5 A
Peso	1.1 lbs. (0.5 kg)

NOTA: El tiempo de carga pueda variar de acuerdo con la temperatura y la tensión de la fuente de alimentación.

3 Adaptador de CA/CC

Modelo	ET36A
Fuente de alimentación de entrada	Monofásica: CA 120 V 60 Hz
Tensión de salida	36 V
Intervalo de temperatura de funcionamiento	14°F (-10°C)–104°F (40°C)
Peso	Adaptador : 1.8 lbs. (0.8 kg) Caja: 2.6 lbs. (1.2 kg)

Control eléctrico

- Función de frenado
El freno se activa cuando se apaga el interruptor, por lo que la rotación del motor se detiene.
- Plena velocidad en todo momento dentro de la gama hasta la carga nominal
- Arranque suave
- Velocidad variable
- Protección de sobrecarga
Esta función de protección corta el suministro de energía hacia el motor en caso de sobrecarga del motor o de una reducción evidente de la velocidad de rotación durante la operación.
Cuando la función de protección de sobrecarga se activa, el motor puede detenerse.
En este caso, suelte el interruptor de la herramienta y elimine la causa de la sobrecarga.
Posteriormente puede utilizarla de nuevo.

- Protección de sobrecalentamiento
Esta función de protección corta el suministro de energía hacia el motor y detiene la herramienta eléctrica en caso de sobrecalentamiento del motor durante la operación.
Cuando la función de protección de sobrecalentamiento se activa, el motor puede detenerse.
En este caso, suelte el interruptor de la herramienta y deje que se enfríe durante unos minutos.
Posteriormente puede utilizarla de nuevo.
- Función de prevención de reinicio
Cuando el interruptor de alimentación aún está conectado, la herramienta no puede volver a ponerse en marcha cuando es instalada una batería.
Esta función se puede cancelar una vez que la herramienta esté apagada.

MONTAJE Y OPERACIÓN

APLICACIONES

- Acabado de lijado y acabado de revestimiento para suelos de productos de carpintería.
- Pulido de base de planos revestidos de madera.
- Acabados de lijado de superficies metálicas.
- Pulido de base de planos revestidos de metal, eliminación de óxido o retirada de pintura para reacabado.
- Acabado superficial de pizarra, hormigón, etc.

INSTALAR Y REMOVER LA BATERÍA

⚠ ADVERTENCIA

Asegúrese de que el interruptor esté en la posición de apagado antes de insertar la batería en la herramienta.

La inserción de la batería con el interruptor en encendido puede provocar un mal funcionamiento de la herramienta.

- Forma de instalar la batería.
Alinee la batería con la ranura de la herramienta y deslícela para colocarla en su sitio. Insértela siempre completamente hasta que se encuentre cerca (Fig. 6).
- Forma de extraer la batería.
Retire la batería de la herramienta mientras presiona el cerrojo (2 unidades) de la batería (Fig. 6).

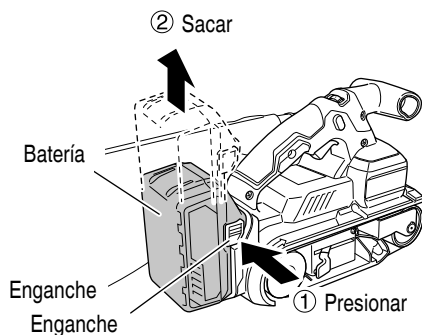


Fig. 6

MÉTODO DE CARGA

NOTA

Antes de enchufar el cargador en un tomacorriente, tenga en cuenta los puntos siguientes.

- La tensión de la fuente de alimentación está indicada en la placa de características.
- El cable no deberá estar dañado.

⚠ ADVERTENCIA

No cargue con una tensión superior a la indicada en la placa de características.

Si cargase con una tensión superior a la indicada en la placa de características, el cargador se quemaría.

1. Conecte el cable de alimentación del cargador a una toma. Cuando el cable de alimentación esté conectado, el testigo indicador de carga parpadeará en color rojo. (A intervalos de 1 segundo)



⚠ ADVERTENCIA

No utilice el cargador si su cable está dañado. Haga que se lo reparen inmediatamente.

2. Inserte la batería en el cargador de baterías. Inserte la batería en el cargador de baterías como muestra en la Fig. 7.

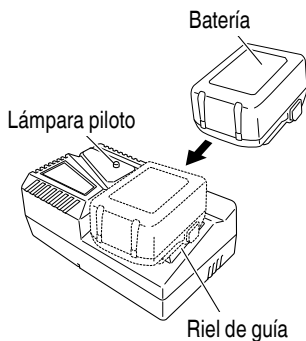


Fig. 7

3. Carga






Cuando inserte una batería en el cargador, la lámpara piloto permanecerá encendida en rojo.

Cuando la batería se haya cargado completamente, la lámpara piloto parpadeará en rojo. (A intervalos de 1 segundo). (Consulte la Tabla 2).

(1) Indicaciones de la lámpara

Las indicaciones de la lámpara piloto serán tal y como se muestran en la Tabla 2, de acuerdo con la condición del cargador de baterías o de la batería.

Tabla 2

Indicaciones de la lámpara piloto (ROJO)		
Antes de la carga	Se enciende durante 0.5 segundos y se apaga durante 0.5 segundos Parpadea 	Conectada a la corriente
Durante la carga	Se enciende de forma continua Se enciende 	—
Carga completa	Se enciende durante 0.5 segundos y se apaga durante 0.5 segundos Parpadea 	—
Espera por recalentamiento	Se enciende durante 1 segundo y se apaga durante 0.5 segundos Parpadea 	Batería recalentada. No puede cargarse (la carga comenzará cuando la batería se enfríe).
Carga imposible	Se enciende durante 0.1 segundos y se apaga durante 0.1 segundos Destellos 	Fallo de funcionamiento de la batería o del cargador

(2) Temperatura de las baterías.

La temperatura de las baterías se muestra en la Tabla 3, y las baterías que se hayan calentado deberán dejarse enfriar durante cierto tiempo antes de cargarlas.

Tabla 3

Baterías	Temperatura con la que podrá cargarse la batería
BSL36B18	32°F–122°F (0°C–50°C)

(3) Tiempo de carga (A 68°F (20°C))

Tabla 4 Tiempo de carga

Batería	Cargador
BSL36B18	UC18YFSL Aprox. 120 min

NOTA

El tiempo de recarga puede variar de acuerdo con la temperatura ambiental.

4. Desconecte el cargador de baterías del tomacorriente.

⚠ PRECAUCIÓN

No desconecte el cable del tomacorriente tirando del mismo.

Cerciórese de tirar del enchufe para desconectarlo del tomacorriente a fin de evitar dañar el cable.

5. Extraiga la batería del cargador de baterías. Sujetando el cargador de baterías con una mano, extraiga la batería del mismo.

NOTA

Asegúrese de extraer la batería del cargador de baterías después del uso, y guárdela después.

Descarga eléctrica en caso de baterías nuevas, etc.

Como la sustancia química interna de las baterías nuevas o las que no se hayan utilizado durante mucho tiempo no está activada, la descarga eléctrica puede ser inferior cuando se utilicen por primera y segunda vez. Este fenómeno es temporal, y el tiempo normal requerido para la recarga se restablecerá recargando las baterías 2–3 veces.

Forma de hacer que las baterías duren más

(1) Recargue las baterías antes de que se hayan agotado completamente.

Si siente que la potencia de la herramienta eléctrica se debilita, deje de utilizarla y recargue su batería. Si continuase utilizando la herramienta hasta agotar la capacidad de la batería, ésta podría dañarse y su duración útil podría acortarse.

- (2) Evite realizar la recarga a altas temperaturas. Una batería se calentará inmediatamente después de haberla utilizado. Si recargase tal batería inmediatamente después de haberla utilizado, su substancia química interna se deterioraría, y la duración útil de la batería se acortaría. Deje la batería y recárguela después de que se haya enfriado durante cierto tiempo.

⚠ PRECAUCIÓN

- Si utiliza continuamente el cargador de baterías, éste se calentará, lo que puede causar averías. Después de haber finalizado la carga, espere 15 minutos antes de realizar la carga siguiente.
- Si carga la batería mientras esté caliente por haber estado mucho tiempo en un lugar sometido a la luz solar directa, o por haber acabado de utilizarla, la lámpara de piloto del cargador parpadea durante 1 segundo y no se enciende durante 0.5 segundos (apagada durante 0.5 segundos). La batería no se cargará. En tal caso, deje que la batería se enfríe antes de cargarla.
- Cuando la lámpara piloto destelle (a intervalos de 0.2 segundos), realice una comprobación y extraiga los objetos extraños de la batería del cargador. Si no hay ningún objeto extraño, es posible que la batería o el cargador funcione mal. Llévelos a un agente de servicio técnico autorizado.

ANTES DE LA OPERACIÓN

⚠ ADVERTENCIA

Para evitar accidentes graves, asegúrese de apagar el interruptor y extraiga la batería.

1. Compruebe el entorno del área de trabajo
Compruebe el área de trabajo para asegurarse de que esté libre de desperdicios y obstáculos. Compruebe que en el área no haya personal innecesario. Cerciérese de que la iluminación y la ventilación sean adecuadas.
2. Interruptor de alimentación
Cerciérese de que el interruptor de alimentación esté en la posición OFF.
3. Instalando la banda de lijado

⚠ PRECAUCIÓN

Use únicamente el tamaño de banda de lijado especificado en la placa de características del producto.

- (1) Tire de la palanca con el dedo; la polea de marcha lenta se desplazará hacia atrás.

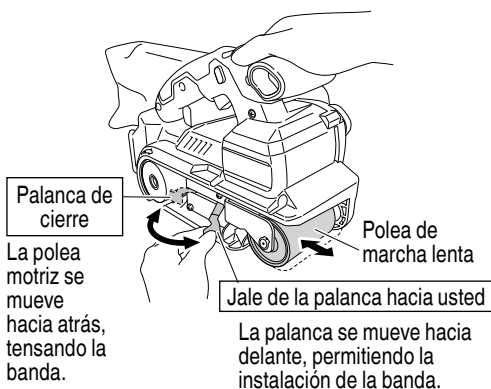


Fig. 8

- (2) Colóquela encima de la polea motriz y la polea libre, pasándola por el exterior de la placa de la zapata y asegúrese de que la flecha del lado interior de la banda coincida con la marca correspondiente en la herramienta.

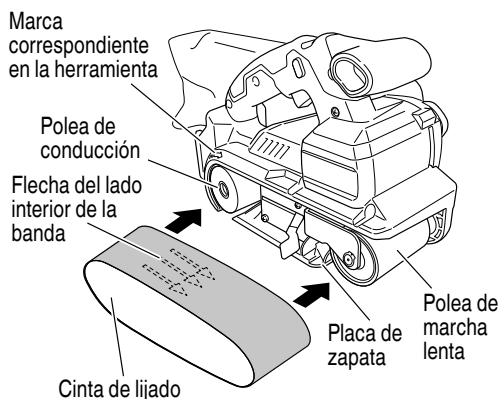


Fig. 9

- (3) Pulse la palanca con el dedo; la polea de marcha lenta se desplazará hacia delante y proporcionará una tensión adecuada a la cinta de lijado. En este caso, tenga cuidado de no golpearse el dedo con la palanca. A continuación, ajuste la posición de la cinta de lijado. (consulte la página 63)

⚠ PRECAUCIÓN

La cinta de lijado instalada en la dirección incorrecta reducirá la eficacia del trabajo y acortará la vida de la cinta de lijado.

4. Cómo retirar la cinta de lijado
Tire de la palanca con el dedo; la cinta de lijado se compará y puede retirarse de las poleas fácilmente.

NOTA

- La polea motriz y la polea libre estarán calientes después de su uso.
 - Utilice un soplador de aire o un dispositivo similar para eliminar cualquier residuo que pueda haber alrededor de las poleas con la banda de lijado retirada.
5. Acoplamiento y extracción de la bolsa colectora de polvo (Fig. 10)
 - (1) Acoplamiento de la bolsa colectora de polvo
Inserte la bolsa colectora de polvo en el conducto del cuerpo de la herramienta eléctrica.
 - (2) Extracción de la bolsa colectora de polvo
Sujete el conducto y saque la bolsa colectora de polvo.

⚠ ADVERTENCIA

Limpie la bolsa colectora de polvo antes y después de lijar el metal, y elimine el polvo de lijado del interior. El polvo de lijado de metal puede causar incendios.

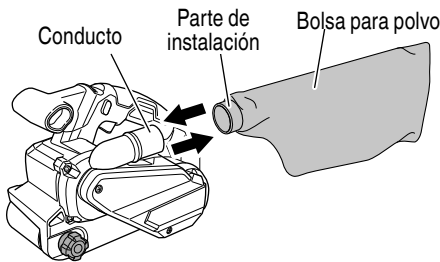


Fig. 10

⚠ ADVERTENCIA

Antes de lijar, asegúrese de que el material de la superficie que va a lijar.

Si se espera que la superficie bajo operación de lijado genere polvos nocivos/tóxicos, como una superficie pintada con plomo, asegúrese de que la bolsa colectora de polvo o el sistema de extracción de polvo apropiado estén conectados firmemente con la salida de polvo.

Use la máscara contra el polvo adicionalmente, si está disponible.

No inhale ni toque los polvos nocivos/tóxicos generados en la operación de lijado, el polvo puede poner en peligro su salud y la de los transeúntes.

⚠ PRECAUCIÓN

Si se acumula demasiado polvo en la bolsa colectora de polvo, la potencia de recolección de polvo se verá reducida. Deshágase del polvo a la mayor brevedad posible.

6. Colocación y extracción del Codo (Fig. 11)
Fije el codo al conducto antes de usar. Ajuste el ángulo del codo para que el polvo se descargue lejos de su cuerpo.

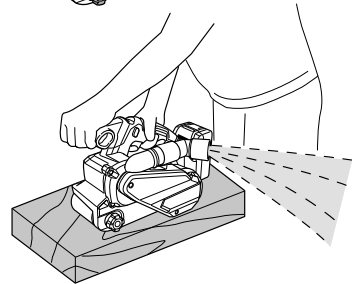
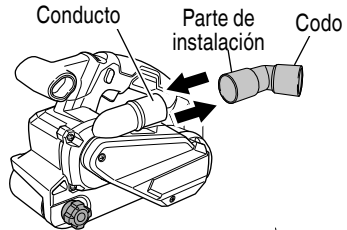


Fig. 11

7. Sobre la función de cambio del modo
La unidad tiene "Modo de transmisión" y "Modo automático"
 - En el modo de transmisión, el número de revoluciones de la lijadora de banda se puede ajustar a una de cinco etapas.
Al operar en el modo de transmisión, el número establecido de revoluciones se mantendrá independientemente de los cambios en la carga.
 - Con el modo automático, podrá reducir ruidos y vibraciones bajando el número máximo de revoluciones mientras está en un estado sin carga.
Mientras se encuentra en el modo automático, el número de revoluciones se elevará si la carga se vuelve mayor durante la operación.
Por otro lado, el número de revoluciones se reducirá si la carga disminuye durante la operación. (Tabla 5)
 - Ajuste el modo usando el dial según la aplicación del trabajo (Fig. 12)

Tabla 5

Ajuste del dial	Velocidad de la banda
1	400 pies/min
2	710 pies/min
3	1,020 pies/min
4	1,320 pies/min
5	1,475 pies/min
A	400 pies/min (Sin carga)
	1,475 pies/min (Con carga)

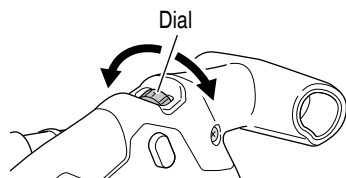


Fig. 12

8. Compruebe la batería insertada

⚠ PRECAUCIÓN

Inserte la batería hasta que encaje en su lugar con un ligero chasquido, ya que de lo contrario podría caerse accidentalmente de la herramienta y causar lesiones.

OPERACIÓN

⚠ ADVERTENCIA

- Asegúrese de apagar el interruptor, luego remueva la batería de la herramienta en las situaciones siguientes:
 - Cuando se detenga o finalice el trabajo
 - Cuando coloque o extraiga accesorios o piezas opcionales
 - Cuando mantenga, inspeccione o almacene la herramienta

⚠ PRECAUCIÓN

- Para extender la vida útil, la herramienta y la batería de iones de litio están equipadas con una función de protección para detener la salida. Por lo tanto, si se sobrecarga al batería, el motor puede detenerse. No obstante, esto no es un problema, sino el resultado de la función de protección. En este caso, suelte el interruptor de la herramienta y elimine las causas de la sobrecarga.

Adicionalmente, refiérase a “ADVERTENCIA DE LA BATERÍA DE LITIO”. Si sigue sin operar, solicite la reparación a un centro de servicio autorizado de metabo HPT.

⚠ ADVERTENCIA

No aplicar runca agua ni fluido abrasivo cuando se está lijando. Esto podría causar una descarga eléctrica.

1. Cómo ajustar la posición de lijado.

Ajuste la cinta de lijado de forma que el borde sobresalga 1/16”-1/ 8” (1.6 mm- 3 mm) de los bordes de las poleas.

Si la cinta de lijado se opera demasiado lejos en la parte interna, puede causar abrasión y dañar la máquina. Ajuste la posición de la cinta de lijado girando el tornillo de ajuste (Fig. 13)

 - Gire el tornillo de ajuste en dirección de las agujas del reloj para introducir la cinta.
 - Gire el tornillo de ajuste en dirección contraria a las agujas del reloj para sacar la cinta.

⚠ ADVERTENCIA

- Si la banda de lijado se coloca demasiado cerca del interior, puede entrar en contacto con el protector y producir chispas.
- No mire en el interior entre la banda de lijado y la carcasa. Si lo hiciere, correría el riesgo de que el polvo u otros residuos entrasen en sus ojos.

NOTA

- Si la cinta de lijado se mueve durante la operación, pueden realizarse ajustes mientras está en funcionamiento.
- El ajuste del dial a baja velocidad (por ejemplo, modo 1) facilita el ajuste.
- Si la banda de lijado se coloca demasiado cerca del interior, puede entrar en contacto con el protector y hacer que se rompa la banda.

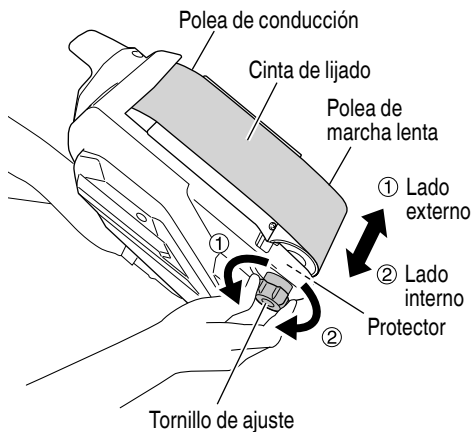


Fig. 13

2. Cómo sujetar la lijadora de banda
 Agarre el mango y utilice el botón. Sujete la máquina contra la superficie en la que se trabaje de forma que contacte con la superficie ligeramente. Sostenga ambos mangos con firmeza y tenga mucho cuidado de mantener sus dedos alejados de las poleas y de la banda de lijado mientras trabaja. El peso de la misma máquina es suficiente para lijar y pulir con una eficacia superior. No aplique presión adicional, ya que se colocaría una carga innecesaria en el motor, acortando la vida de la cinta de lijado y reduciendo la eficacia del trabajo. (Fig. 14)

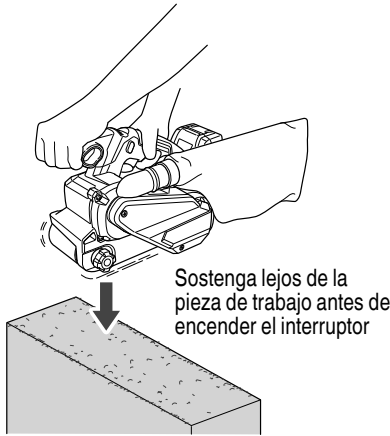


Fig. 14

3. Cómo mover la lijadora de banda
 Mueva la máquina hacia delante primero y luego hacia atrás, repitiendo este movimiento. (Fig.14)
4. Consulte la Tabla 6 y 7 de abajo para seleccionar una cinta adecuada de lijado de tamaño y tipo de grano adecuados para su fin específico.

Tabla 6

Acabado derivado	Tamaño adecuado de grano
Acabado grueso	30-40
Acabado medio	40-100
Acabado semi-fino	80-240
Acabado fino	180-400

Tabla 7

Tipo de grano	Superficie a trabajar
AA	Acero, madera
WA	Madera, bambú

- Para tamaños de grano, consulte la Tabla 6.
 - El grano de la cinta de lijado debe ser más grueso que el papel de lija utilizado para trabajo manual.
 - Utilice cinta de lijado del mismo tamaño de grano hasta que se obtenga una superficie uniforme. Al cambiar los tamaños de grano podría obtenerse un acabado pobre.
5. Encendido y apagado de la lijadora (Fig. 15)
 El interruptor de encendido se activa cuando se pulsa el gatillo, y si el botón de activación del bloqueo es presionado una vez, el interruptor de encendido se bloquea, permitiendo un funcionamiento continuo. El botón de activación del bloqueo puede soltarse tirando del activador. (Fig. 15)

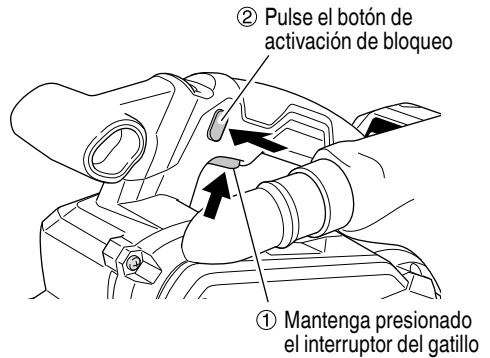


Fig. 15

No encender nunca la lijadora cuando esté en contacto con la superficie a lijar. Esto es para prevenir daños en la pieza a trabajar. Lo mismo puede aplicarse al apagar la lijadora.

6. Cómo trabajar en las esquinas
 Las esquinas pueden lijarse y pulirse utilizando la máquina como en la Fig. 16.

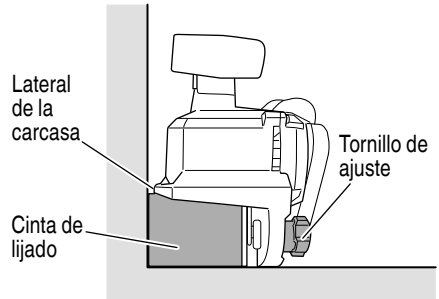


Fig. 16

⚠ PRECAUCIÓN

- Inmediatamente luego del uso, asegúrese de apagar el interruptor y extraiga la batería.
- Como la lijadora aspira, procure no colocarla cerca de polvo o de suciedad mientras sigue girando nada más usarla.
- No utilice la herramienta sin la banda de lijado colocada. Si no hace, podría dañar las poleas.

CONECTAR EL COLECTOR DE POLVO**⚠ ADVERTENCIA**

Para obtener detalles sobre el uso del colector de polvo y el tipo de polvo que puede ser recolectado, lea atentamente el manual de instrucciones del colector de polvo.

La fijación del codo en el conducto de la herramienta permite conectar el colector de polvo en las herramientas eléctricas HPT de metabo. (Fig. 17)

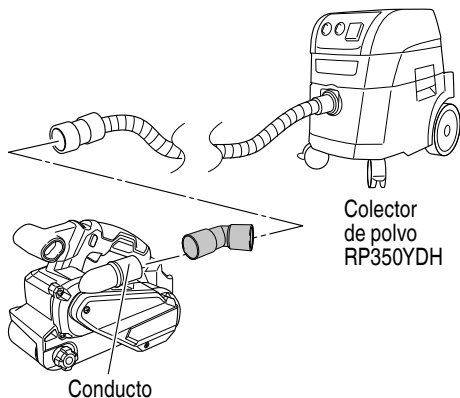


Fig. 17

INDICADOR DE BATERÍA RESTANTE

Puede comprobar la capacidad restante de la batería presionando el interruptor del indicador de batería restante para encender la lámpara indicadora. (Fig. 18, Tabla 8)

El indicador se apaga aproximadamente 3 segundos después de pulsar el interruptor del indicador de batería restante.

Se recomienda utilizar el indicador de batería restante como guía dado que hay ligeras diferencias tales como la temperatura ambiente y el estado de la batería.

Asimismo, el indicador de batería restante podría variar de aquellos equipados en la herramienta o en el cargador.

Lámpara indicadora de batería restante Interruptor del indicador de batería restante

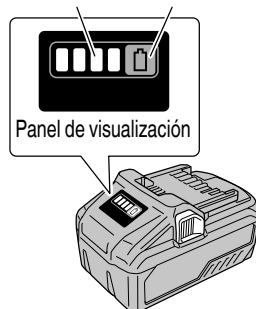


Fig. 18

Tabla 8

Estado de la lámpara	Carga de batería restante
	Se enciende; La carga restante de la batería se encuentra por encima del 75%.
	Se enciende; La carga restante de la batería es del 50% - 75%.
	Se enciende; La carga restante de la batería es del 25% - 50%.
	Se enciende; La carga restante de la batería es menos del 25%.
	Parpadea; La carga restante de la batería está prácticamente agotada. Cargue la batería lo antes posible.
	Parpadea; La salida se suspendió debido a una alta temperatura. Extraiga la batería de la herramienta y deje que se enfríe.
	Parpadea; Salida suspendida debido a un fallo o mal funcionamiento. El problema puede estar relacionado con la batería, contáctese con su distribuidor.

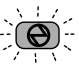

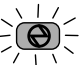


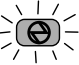





Dado que el indicador de batería restante muestra resultados ligeramente diferentes según la temperatura ambiental y las características de la batería, utilice su lectura como referencia.

NOTA

No golpee con fuerza ni rompa el panel de interruptores.
Pueden producirse problemas.

ACERCA DEL PILOTO DE ERROR DEL ADAPTADOR DE CA/CC

Tabla 9

Indicaciones del testigo indicador					
	Estado	Luz de potencia (VERDE)	Luz de error (ROJO)		Indica
Adaptador	Antes de la utilización	Parpadea 	Luz apagada 		Con conexión a la fuente de alimentación
	Encendido	Luces 	Luz apagada 		La herramienta puede ser usada
	Alimentación suspendida	Parpadea  Luces 	Parpadea 	Se enciende durante 0.5 segundos. No se enciende durante 0.5 segundos. (apagada durante 0.5 segundos) 	El adaptador no puede ser usado debido a una temperatura elevada. (el adaptador podrá ser usado cuando se enfríe)
				Se enciende durante 0.1 segundos. No se enciende durante 0.1 segundos. (apagada durante 0.1 segundos) 	Sobrecarga
Caja	Alimentación suspendida	/	Parpadea 	Se enciende durante 0.5 segundos. No se enciende durante 0.5 segundos. (apagada durante 0.5 segundos) 	No puede ser usado porque la temperatura de la caja es demasiado alta. (Se puede utilizar una vez que la caja se haya enfriado)

MANTENIMIENTO E INSPECCIÓN

⚠ **ADVERTENCIA**

- **Asegúrese de apagar el interruptor y extraiga la batería antes de realizar cualquier inspección o mantenimiento.**

1. Vaciar y limpiar la bolsa colectora de polvo (Fig. 19)
 - (1) Sujete el conducto y saque la bolsa colectora de polvo.
 - (2) La entrada de la bolsa puede abrirse abriendo el fijador de deslizamiento.

Si la bolsa colectora de polvo contiene demasiado polvo, la recolección del polvo se verá afectada. Vacíe la bolsa para polvo tan pronto como sea posible cuando ella se llene.

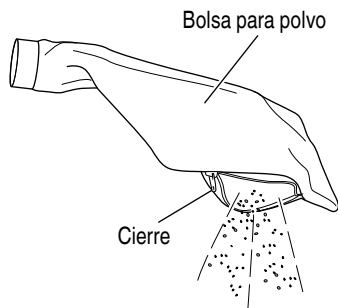


Fig. 19

2. Inspección de la banda de lijado
El rendimiento abrasivo de la banda de lijado disminuirá si sus partículas abrasivas se desgastan o se obstruyen, reduciendo en gran medida la eficacia de la herramienta. Si esto ocurre, reemplácela con una nueva banda de lijado.
3. Inspección de los tornillos
Inspeccione regularmente todos los tornillos y asegúrese de que estén completamente apretados. Si hay algún tornillo flojo, apriételo inmediatamente.

⚠ **PRECAUCIÓN**

Utilizar esta herramienta eléctrica con los tornillos sueltos es extremadamente peligroso.

4. Mantenimiento de motor
La unidad de bobinado del motor es el verdadero "corazón" de las herramientas eléctricas. Prestar el mayor cuidado a asegurarse de que el bobinado no se dañe y/o se humedezca con aceite o agua.

5. Inspección de los terminales (herramienta y batería)
Compruebe para asegurarse de que no se han acumulado virutas ni polvo en los terminales. En ocasiones verifique antes, durante y después de la operación.

⚠ **PRECAUCIÓN**

Retire las virutas o el polvo que pudiera haberse acumulado en los terminales.

De lo contrario puede producirse un fallo en el funcionamiento.

6. Comprobación del polvo

⚠ **ADVERTENCIA**

Lleve gafas de protección y una máscara de polvo al limpiar la bolsa colectora de polvo con una pistola de aire.

No hacerlo puede resultar en inhalación o exposición de los ojos a restos o a polvo.

Use una pistola de aire o alguna herramienta similar para eliminar materiales, virutas, etc. que se hayan podido adherir al cuerpo principal y limpie las superficies con un trapo seco y suave o un trapo humedecido con agua jabonosa. No utilice disolventes clóricos, gasolina ni disolventes para pinturas, ya que funden los materiales plásticos.

7. Eliminación de las baterías agotadas

⚠ **ADVERTENCIA**

No tire las baterías agotadas. Las baterías pueden explotar si se incineran. La batería es reciclable. Cuando se agote su duración útil, de acuerdo con las leyes estatales y locales, puede ser ilegal tirar esta batería a la basura. Solicite a las autoridades locales los detalles sobre las opciones de reciclado o de la forma de deshacerse apropiadamente de la batería.

8. Almacenamiento
Guarde la herramienta eléctrica y la batería en un lugar en donde la temperatura sea inferior a 40°C y lejos del alcance de los niños.

NOTA

Almacenar baterías de ion-litio

Compruebe que las baterías de ion-litio se han cargado completamente antes de almacenarlas.

Un almacenamiento prolongado (3 meses o más) de las baterías con carga baja podría deteriorar su funcionamiento, reduciendo en gran medida el tiempo de uso de la batería o haciendo que las baterías no puedan mantener una carga.

No obstante, la reducción en gran medida del tiempo de uso de la batería puede recuperarse si se carga y utiliza de dos a cinco veces.

Si el tiempo de uso de la batería es extremadamente corto a pesar de haber cargado y utilizado la batería varias veces, deberá considerarla agotada y comprar una nueva.

9. Mantenimiento y reparación

Todas las herramientas eléctricas de calidad requieren de vez en cuando el servicio de mantenimiento o el reemplazo de piezas debido al desgaste producido durante la utilización normal. Para asegurarse de que solamente se utilicen piezas de reemplazo autorizadas, todos los servicios de mantenimiento y reparación deberán realizarse SOLAMENTE EN UN CENTRO DE REPARACIONES AUTORIZADO POR metabo HPT.

⚠ PRECAUCIÓN

En el manejo y el mantenimiento de las herramientas eléctricas, se deberán observar las normas y reglamentos vigentes en cada país.

Aviso importante sobre las pilas de las herramientas inalámbricas de metabo HPT

Utilice siempre una de nuestras pilas genuinas. No podemos garantizar la seguridad y el funcionamiento de nuestra herramienta eléctrica inalámbrica cuando se utiliza con pilas diferentes a las indicadas por nosotros o cuando la pila se desmonta y modifica (como cuando se desmontan y sustituyen celdas u otras piezas internas).

ACCESORIOS

⚠ ADVERTENCIA

SIEMPRE utilice únicamente repuestos y accesorios autorizados por metabo HPT. NO utilice NUNCA repuestos o accesorios no previstos para usar con esta herramienta. Si tiene dudas en cuanto a la seguridad de usar determinado repuesto o accesorio junto con su herramienta, póngase en contacto con metabo HPT. La utilización de otros accesorios puede resultar peligrosa y causar lesiones o daños mecánicos.

NOTA

Los accesorios están sujetos a cambio sin ninguna obligación por parte de metabo HPT.

ACCESORIOS ESTÁNDAR

SB3608DA (NN)	<input type="radio"/> Cinta de lijado interminable (WA#80) (N.º de código 939733).....	1
	<input type="radio"/> Bolsa colectora de polvo (N.º de código 379358M).....	1
	<input type="radio"/> Codo (N.º de código 379359).....	1
La batería, el cargador de baterías y la funda de la batería no se incluyen.		

ACCESORIOS OPCIONALES De venta por separado

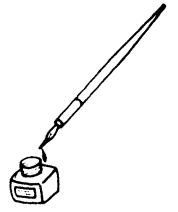
(1) Cinta de lijado interminable

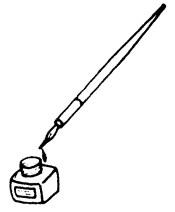
N.º de código	Tamaño de grano	Tipo de grano	Tamaño de cinta
939731	40	WA	3" x 21" (76 mm x 533 mm)
939732	60		
939733	80		
939734	100		
939735	120		
939736	150		
939737	180		
939738	240		
939739	30	AA	
939740	40		
939741	60		
939742	80		
939743	100		
939744	120		
939745	150		
939746	180		
939747	240		
939748	320		
939749	400		

- (2) Batería (BSL36A18, BSL36B18)
- (3) Cargador de baterías (UC18YFSL)
- (4) Tapa de batería (Núm. de código 329897)
- (5) Adaptador de CA/CC (ET36A)

NOTA

Las especificaciones están sujetas a cambio sin ninguna obligación por parte de metabo HPT.





WARNING:

Some dust created by power sanding, sawing, grinding, drilling, and other construction activities contains chemicals known to the State of California to cause cancer, birth defects or other reproductive harm. Some examples of these chemicals are:

- Lead from lead-based paints,
- Crystalline silica from bricks and cement and other masonry products, and
- Arsenic and chromium from chemically-treated lumber.

Your risk from these exposures varies, depending on how often you do this type of work. To reduce your exposure to these chemicals: work in a well ventilated area, and work with approved safety equipment, such as those dust masks that are specially designed to filter out microscopic particles.

AVERTISSEMENT:

La poussière résultant d'un ponçage, d'un sciage, d'un meulage, d'un perçage ou de toute autre activité de construction renferme des produits chimiques qui sont connus par l'Etat de Californie pour causer des cancers, des défauts de naissance et autres anomalies de reproduction. Nous énumérons ci-dessus certains de ces produits chimiques:

- Plomb des peintres à base de plomb,
- Silice cristalline des briques et du ciment et autres matériaux de maçonnerie, et
- Arsenic et chrome du bois d'oeuvre traité chimiquement.

Le risque d'exposition à ces substances varie en fonction de la fréquence d'exécution de ce genre de travail. Pour réduire l'exposition à ces produits chimiques, travailler dans un lieu bien ventilé, et porter un équipement de protection agréé, par exemple un masque anti-poussière spécialement conçu pour filter les particules microscopiques.

ADVERTENCIA:

Algunos polvos creados por el lijado mecánico, el aserrado, el esmerilado, el taladrado y otras actividades de construcción contienen sustancias químicas conocidas por le Estado de California como agentes cancerígenos, defectos congénitos y otros daños reproductores. Algunos ejemplos de estas sustancias químicas son:

- El plomo de las pinturas a base de plomo,
- El sílice cristalino de los ladrillos y cemento y otros productos de mampostería, y
- El arsénico y el cromo de la madera tratada químicamente.

El riesgo resultante de la exposición varía según la frecuencia con que se realiza este tipo de trabajo. Para reducir la exposición a esta sustancias químicas: trabaje en un lugar bien ventilado y realice el trabajo utilizando el equipamiento apropiado, tal como las máscaras para el polvo especialmente diseñados para eliminar las partículas minúsculas.



Please contact Koki Holdings America Ltd. at 1-800-59-TOOLS (toll free), or metabo HPT AUTHORIZED POWER TOOL SERVICE CENTER regarding COLLECTION.

Pour le RAMASSAGE, contacter Koki Holdings America Ltd. au 1-800-59-TOOLS (appel gratuit), ou UN SERVICE APRÈS-VENTE D'OUTILS ÉLECTRIQUE AGRÉÉ PAR metabo HPT.

Con respecto a la RECOLECCIÓN de baterías, póngase en contacto con Koki Holdings America Ltd. número 1-800-59-TOOLS (llamada gratis), o con metabo HPT AUTHORIZED POWER TOOL SERVICE CENTER.

Issued by

Koki Holdings Co., Ltd.

Shinagawa Intercity Tower A, 15-1, Konan 2-chome,
Minato-ku, Tokyo 108-6020, Japan

Distributed by

Koki Holdings America Ltd.

1111 Broadway Ave,
Braselton, Georgia, 30517

Koki Holdings America Ltd. Canadian Branch

3405 American Drive, Units 9-10,
Mississauga, ON, L4V 1T6

210
Code No. C99746962 G
Printed in China