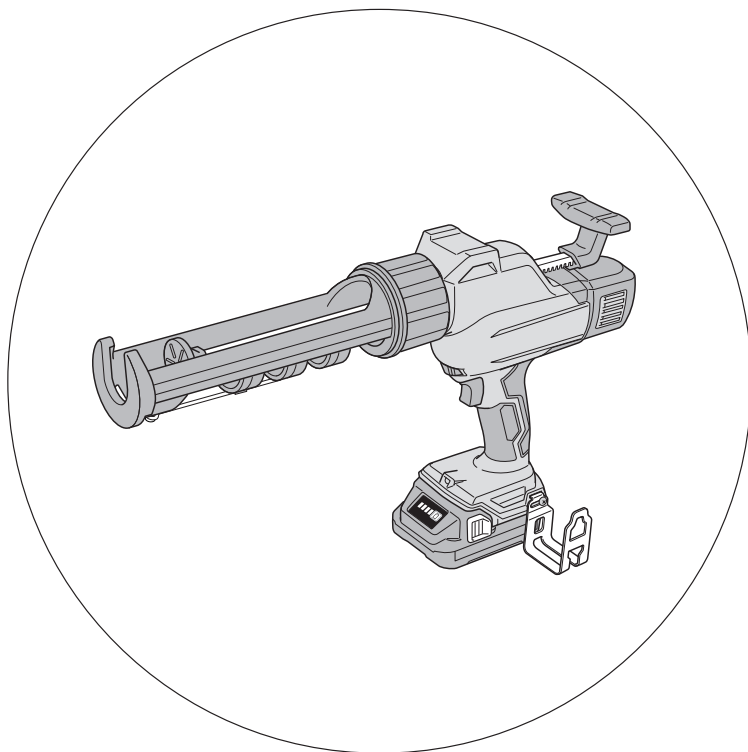
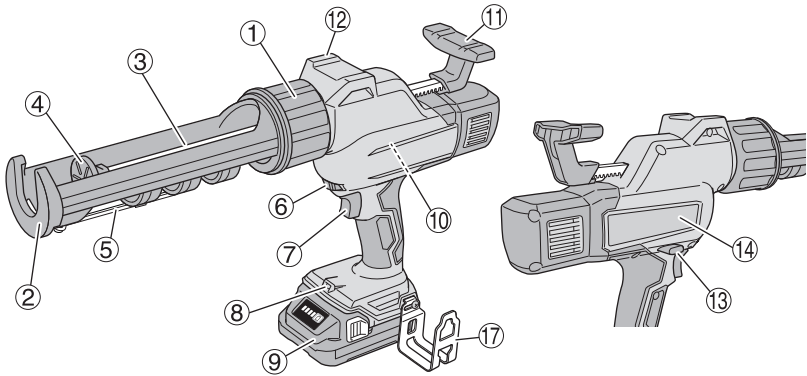
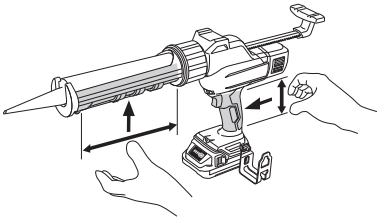
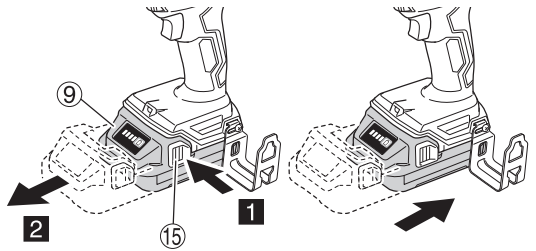
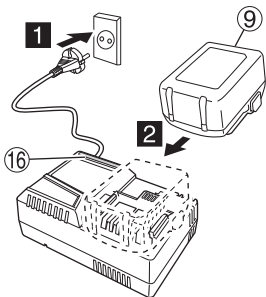
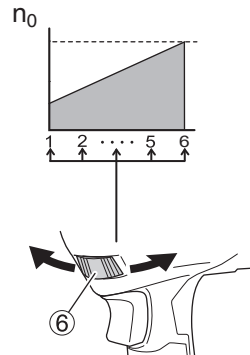


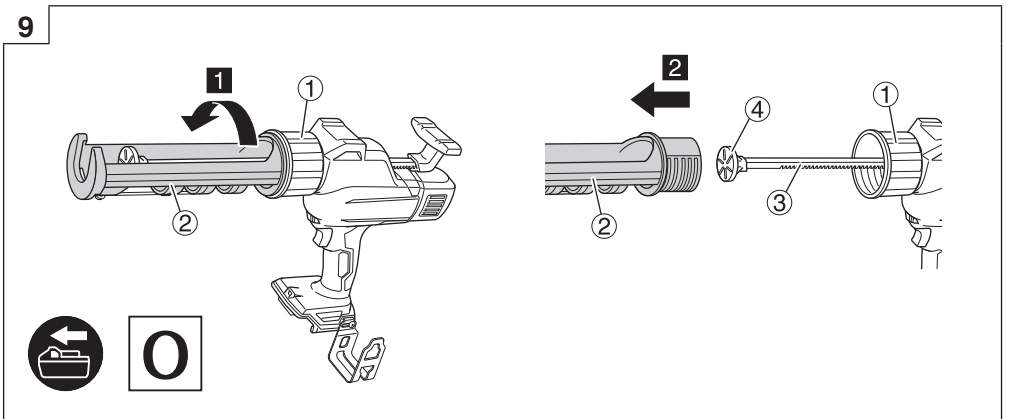
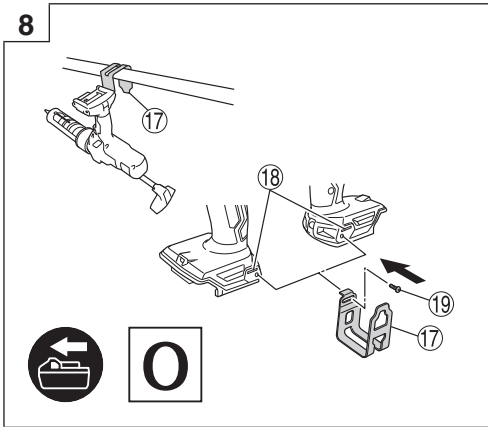
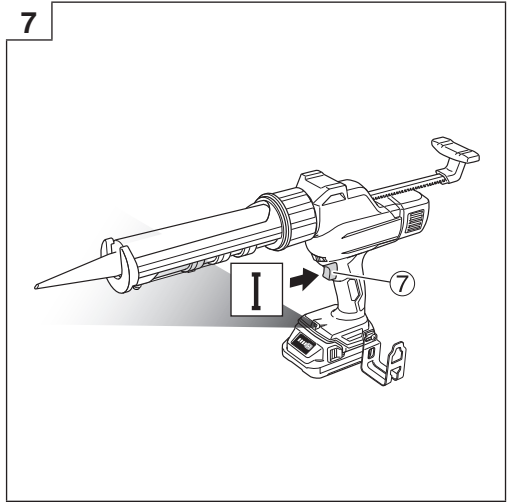
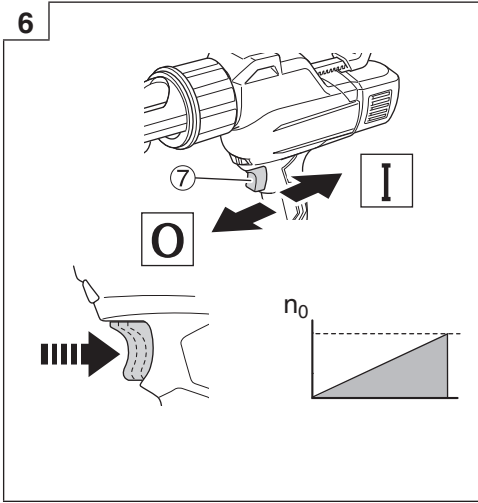
AC18DA



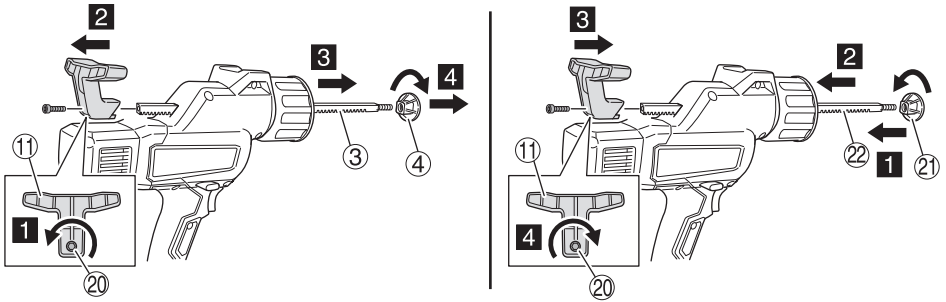
en Handling instructions

zh 使用說明書

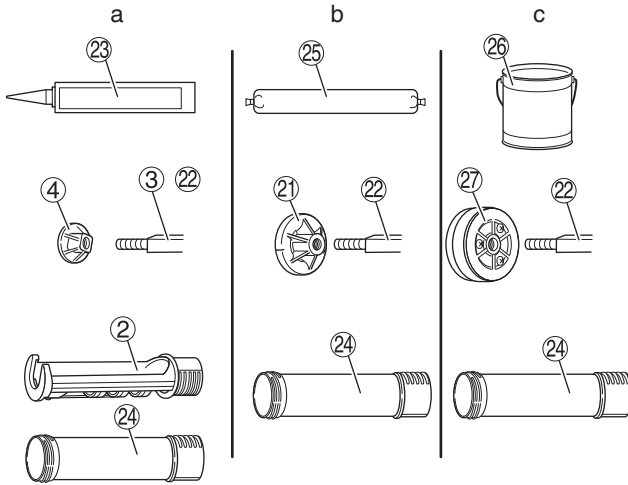
1**2****3****4****5**



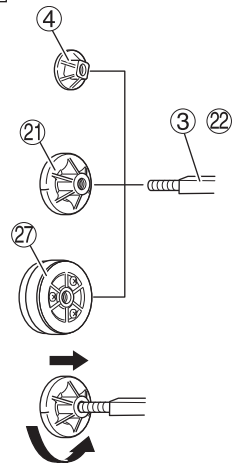
10



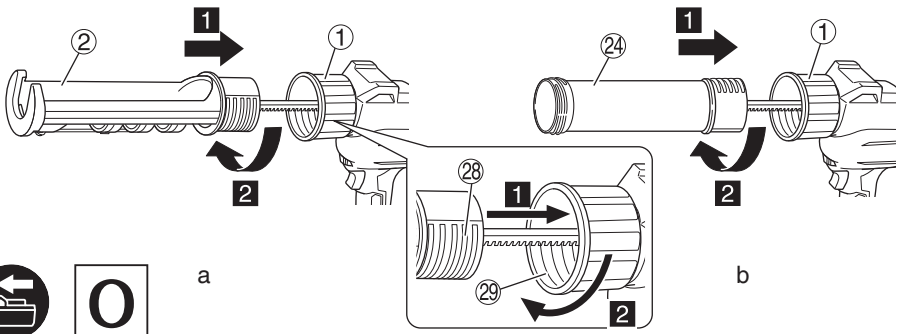
11



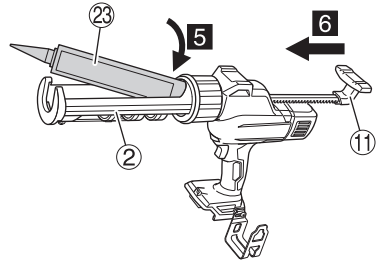
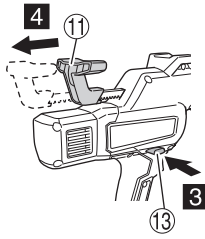
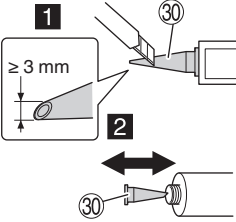
12



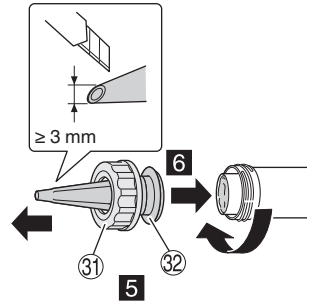
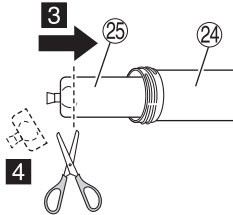
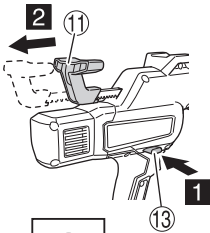
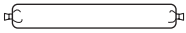
13



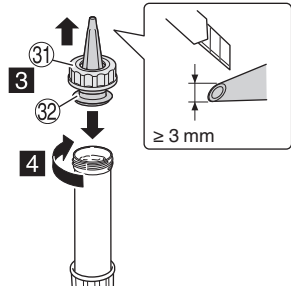
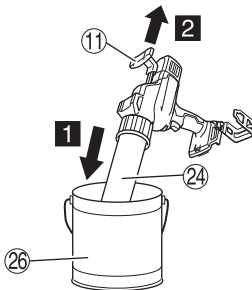
14



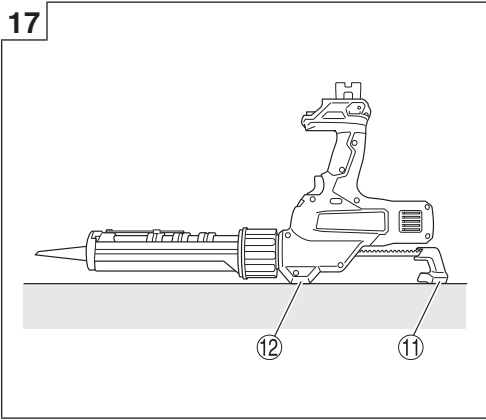
15



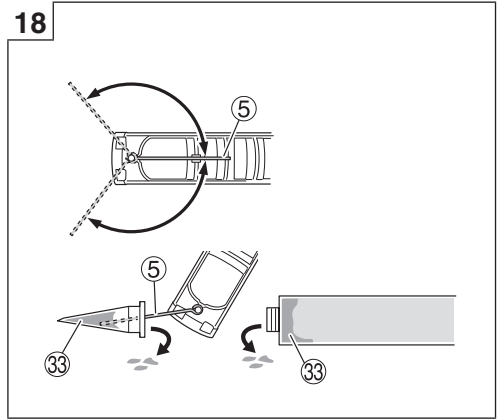
16



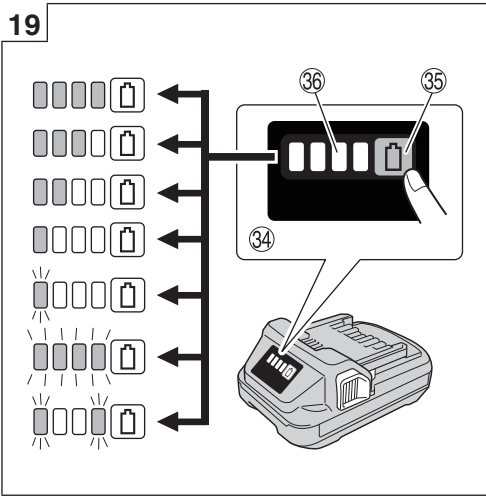
17



18



19



GENERAL POWER TOOL SAFETY WARNINGS

⚠ WARNING

Read all safety warnings, instructions, illustrations and specifications provided with this power tool.

Failure to follow all instructions listed below may result in electric shock, fire and/or serious injury.

Save all warnings and instructions for future reference.

The term "power tool" in the warnings refers to your mains-operated (corded) power tool or battery-operated (cordless) power tool.

1) Work area safety

- a) **Keep work area clean and well lit.**
Cluttered or dark areas invite accidents.
- b) **Do not operate power tools in explosive atmospheres, such as in the presence of flammable liquids, gases or dust.**
Power tools create sparks which may ignite the dust or fumes.
- c) **Keep children and bystanders away while operating a power tool.**
Distractions can cause you to lose control.

2) Electrical safety

- a) **Power tool plugs must match the outlet. Never modify the plug in any way. Do not use any adapter plugs with earthed (grounded) power tools.**
Unmodified plugs and matching outlets will reduce risk of electric shock.
- b) **Avoid body contact with earthed or grounded surfaces, such as pipes, radiators, ranges and refrigerators.**
There is an increased risk of electric shock if your body is earthed or grounded.
- c) **Do not expose power tools to rain or wet conditions.**
Water entering a power tool will increase the risk of electric shock.
- d) **Do not abuse the cord. Never use the cord for carrying, pulling or unplugging the power tool. Keep cord away from heat, oil, sharp edges or moving parts.**
Damaged or entangled cords increase the risk of electric shock.
- e) **When operating a power tool outdoors, use an extension cord suitable for outdoor use.**
Use of a cord suitable for outdoor use reduces the risk of electric shock.
- f) **If operating a power tool in a damp location is unavoidable, use a residual current device (RCD) protected supply.**
Use of an RCD reduces the risk of electric shock.

3) Personal safety

- a) **Stay alert, watch what you are doing and use common sense when operating a power tool. Do not use a power tool while you are tired or under the influence of drugs, alcohol or medication.**
A moment of inattention while operating power tools may result in serious personal injury.
- b) **Use personal protective equipment. Always wear eye protection.**
Protective equipment such as a dust mask, non-skid safety shoes, hard hat or hearing protection used for appropriate conditions will reduce personal injuries.

- c) **Prevent unintentional starting. Ensure the switch is in the off-position before connecting to power source and/or battery pack, picking up or carrying the tool.**

Carrying power tools with your finger on the switch or energising power tools that have the switch on invites accidents.

- d) **Remove any adjusting key or wrench before turning the power tool on.**

A wrench or a key left attached to a rotating part of the power tool may result in personal injury.

- e) **Do not overreach. Keep proper footing and balance at all times.**

This enables better control of the power tool in unexpected situations.

- f) **Dress properly. Do not wear loose clothing or jewellery. Keep your hair and clothing away from moving parts.**

Loose clothes, jewellery or long hair can be caught in moving parts.

- g) **If devices are provided for the connection of dust extraction and collection facilities, ensure these are connected and properly used.**

Use of dust collection can reduce dust-related hazards.

- h) **Do not let familiarity gained from frequent use of tools allow you to become complacent and ignore tool safety principles.**

A careless action can cause severe injury within a fraction of a second.

4) Power tool use and care

- a) **Do not force the power tool. Use the correct power tool for your application.**

The correct power tool will do the job better and safer at the rate for which it was designed.

- b) **Do not use the power tool if the switch does not turn it on and off.**

Any power tool that cannot be controlled with the switch is dangerous and must be repaired.

- c) **Disconnect the plug from the power source and/or remove the battery pack, if detachable, from the power tool before making any adjustments, changing accessories, or storing power tools.**

Such preventive safety measures reduce the risk of starting the power tool accidentally.

- d) **Store idle power tools out of the reach of children and do not allow persons unfamiliar with the power tool or these instructions to operate the power tool.**

Power tools are dangerous in the hands of untrained users.

- e) **Maintain power tools and accessories. Check for misalignment or binding of moving parts, breakage of parts and any other condition that may affect the power tool's operation. If damaged, have the power tool repaired before use.**

Many accidents are caused by poorly maintained power tools.

- f) **Keep cutting tools sharp and clean.**

Properly maintained cutting tools with sharp cutting edges are less likely to bind and are easier to control.

- g) **Use the power tool, accessories and tool bits etc. in accordance with these instructions, taking into account the working conditions and the work to be performed.**

Use of the power tool for operations different from those intended could result in a hazardous situation.

- h) **Keep handles and grasping surfaces dry, clean and free from oil and grease.**

Slippery handles and grasping surfaces do not allow for safe handling and control of the tool in unexpected situations.

English

5) Battery tool use and care

- a) **Recharge only with the charger specified by the manufacturer.**

A charger that is suitable for one type of battery pack may create a risk of fire when used with another battery pack.

- b) **Use power tools only with specifically designated battery packs.**

Use of any other battery packs may create a risk of injury and fire.

- c) **When battery pack is not in use, keep it away from other metal objects, like paper clips, coins, keys, nails, screws or other small metal objects, that can make a connection from one terminal to another.**

Shorting the battery terminals together may cause burns or a fire.

- d) **Under abusive conditions, liquid may be ejected from the battery; avoid contact. If contact accidentally occurs, flush with water. If liquid contacts eyes, additionally seek medical help.**

Liquid ejected from the battery may cause irritation or burns.

- e) **Do not use a battery pack or tool that is damaged or modified.**

Damaged or modified batteries may exhibit unpredictable behaviour resulting in fire, explosion or risk of injury.

- f) **Do not expose a battery pack or tool to fire or excessive temperature.**

Exposure to fire or temperature above 130°C may cause explosion.

- g) **Follow all charging instructions and do not charge the battery pack or tool outside the temperature range specified in the instructions.**

Charging improperly or at temperatures outside the specified range may damage the battery and increase the risk of fire.

6) Service

- a) **Have your power tool serviced by a qualified repair person using only identical replacement parts.**

This will ensure that the safety of the power tool is maintained.

- b) **Never service damaged battery packs.**

Service of battery packs should only be performed by the manufacturer or authorized service providers.

PRECAUTION

Keep children and infirm persons away.

When not in use, tools should be stored out of reach of children and infirm persons.

CORDLESS CAULKING GUN SAFETY WARNINGS

1. During use, hold the tool body securely with both hands. (Fig. 2)
2. Do not put an unreasonable burden on the tool that causes the motor to lock, such as attempting to use hardened sealing material.
Remove hardened sealing material, as it may cause malfunction.
3. Before use, refer also to the directions on the packaging of the sealing material to ensure that you use it correctly.
4. Wear safety glasses while working.
5. Do not use in locations where inflammable materials such as lacquer, paint, benzene, thinner or gasoline are present.

6. If you notice that the unit is generating unusually high temperatures, operating poorly, or making abnormal noises, immediately stop using and shut off the power switch. Request an inspection and repair from the dealer where you purchased the unit or a HIKOKI Authorized Service Center.

Continuing to use while operating abnormally might cause injuries.

7. If the unit is mistakenly dropped or strikes another object, make a thorough check of the unit for cracks, breakage or deformation, etc.
Injuries might occur if the unit has cracks, breakage or deformation.

8. Never touch moving parts.

Never place your hands, fingers or other body parts near the tool's moving parts.

9. NEVER leave tool running unattended. Turn power off. Don't leave tool until it comes to a complete stop.
10. When operating the tool in high locations, make sure there is nobody below.
11. Never operate from an unstable footing, such as when on a ladder or step ladder.
Doing so may cause an injury.

12. Do not strike the tool with other objects; avoid strong impacts such as dropping the tool; and do not allow the tool to get wet.

Any one of these can damage the built-in precision parts and result in malfunction.

13. Do not expose directly your eye to the light by looking into the light.

If your eye is continuously exposed to the light, your eye will be hurt.

Wipe off any dirt or grime attached to the lens of the LED light with a soft cloth, being careful not to scratch the lens.

Scratches on the lens of the LED light can result in decreased brightness.

14. Precautions during transport

- Release the switch on the body of the machine and remove the battery.
- Carry the machine by the handle on its body.
- When transporting it via vehicle, take appropriate steps to prevent it from falling over or being damaged.

ADDITIONAL SAFETY WARNINGS

1. Always charge the battery at a temperature of 0°C–40°C. A temperature of less than 0°C will result in over charging which is dangerous. The battery cannot be charged at a temperature higher than 40°C.
The most suitable temperature for charging is that of 20°C–25°C.
2. Do not use the charger continuously.
When one charging is completed, leave the charger for about 15 minutes before the next charging of battery.
3. Do not allow foreign matter to enter the hole for connecting the rechargeable battery.
4. Never disassemble the rechargeable battery and charger.
5. Never short-circuit the rechargeable battery.
Shortcircuiting the battery will cause a great electric current and overheat. It results in burn or damage to the battery.
6. Do not dispose of the battery in fire. If the battery is burnt, it may explode.
7. Bring the battery to the shop from which it was purchased as soon as the post-charging battery life becomes too short for practical use. Do not dispose of the exhausted battery.

8. Do not insert object into the air ventilation slots of the charger. Inserting metal objects or inflammables into the charger air ventilation slots will result in electrical shock hazard or damaged charger.
9. When using this unit continuously, the unit may overheat, leading to damage in the motor and switch. Therefore, whenever the housing becomes hot, give the tool a break for a while.
10. Make sure that the battery is installed firmly. If it is at all loose it could come off and cause an accident.
11. Do not use the product if the tool or the battery terminals (battery mount) are deformed.
Installing the battery could cause a short circuit that could result in smoke emission or ignition.
12. Keep the tool's terminals (battery mount) free of swarf and dust.
 - Prior to use, make sure that swarf and dust have not collected in the area of the terminals.
 - During use, try to avoid swarf or dust on the tool from falling on the battery.
 - When suspending operation or after use, do not leave the tool in an area where it may be exposed to falling swarf or dust.
Doing so could cause a short circuit that could result in smoke emission or ignition.
13. Always use the tool and battery at temperatures between -5°C and 40°C.

CAUTION ON LITHIUM-ION BATTERY

To extend the lifetime, the lithium-ion battery equips with the protection function to stop the output.

In the cases of 1 to 3 described below, when using this product, even if you are pulling the switch, the motor may stop. This is not the trouble but the result of protection function.

1. When the battery power remaining runs out, the motor stops.
In such a case, charge it up immediately.
2. If the tool is overloaded, the motor may stop. In this case, release the switch of tool and eliminate causes of overloading. After that, you can use it again.
3. If the battery is overheated under overload work, the battery power may stop.
In this case, stop using the battery and let the battery cool. After that, you can use it again.

Furthermore, please heed the following warning and caution.

WARNING

In order to prevent any battery leakage, heat generation, smoke emission, explosion and ignition beforehand, please be sure to heed the following precautions.

1. Make sure that swarf and dust do not collect on the battery.
 - During work make sure that swarf and dust do not fall on the battery.
 - Make sure that any swarf and dust falling on the power tool during work do not collect on the battery.
 - Do not store an unused battery in a location exposed to swarf and dust.
 - Before storing a battery, remove any swarf and dust that may adhere to it and do not store it together with metal parts (screws, nails, etc.).
2. Do not pierce battery with a sharp object such as a nail, strike with a hammer, step on, throw or subject the battery to severe physical shock.
3. Do not use an apparently damaged or deformed battery.
4. Do not use the battery for a purpose other than those specified.
5. If the battery charging fails to complete even when a specified recharging time has elapsed, immediately stop further recharging.

6. Do not put or subject the battery to high temperatures or high pressure such as into a microwave oven, dryer, or high pressure container.
7. Keep away from fire immediately when leakage or foul odor are detected.
8. Do not use in a location where strong static electricity generates.
9. If there is battery leakage, foul odor, heat generated, discolored or deformed, or in any way appears abnormal during use, recharging or storage, immediately remove it from the equipment or battery charger, and stop use.
10. Do not immerse the battery or allow any fluids to flow inside. Conductive liquid ingress, such as water, can cause damage resulting in fire or explosion. Store your battery in a cool, dry place, away from combustible and flammable items. Corrosive gas atmospheres must be avoided.

CAUTION

1. If liquid leaking from the battery gets into your eyes, do not rub your eyes and wash them well with fresh clean water such as tap water and contact a doctor immediately.
If left untreated, the liquid may cause eye-problems.
2. If liquid leaks onto your skin or clothes, wash well with clean water such as tap water immediately.
There is a possibility that this can cause skin irritation.
3. If you find rust, foul odor, overheating, discolor, deformation, and/or other irregularities when using the battery for the first time, do not use and return it to your supplier or vendor.

WARNING

If a conductive foreign matter enters in the terminal of lithium ion battery, the battery may be shorted, causing fire. When storing the lithium ion battery, obey surely the rules of following contents.

- Do not place conductive debris, nail and wires such as iron wire and copper wire in the storage case.
- To prevent shorting from occurring, load the battery in the tool or insert securely the battery cover for storing until the ventilator is not seen.

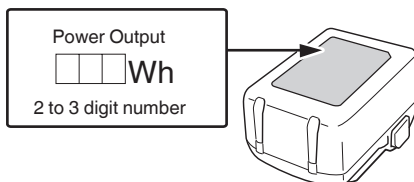
REGARDING LITHIUM-ION BATTERY TRANSPORTATION

When transporting a lithium-ion battery, please observe the following precautions.

WARNING

Notify the transporting company that a package contains a lithium-ion battery, inform the company of its power output and follow the instructions of the transportation company when arranging transport.





- Lithium-ion batteries that exceed a power output of 100 Wh are considered to be in the freight classification of Dangerous Goods and will require special application procedures.
- For transportation abroad, you must comply with international law and the rules and regulations of the destination country.






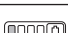

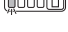

English

NAMES OF PARTS (Fig. 1–Fig. 19)

①	Holder nut	⑲	Screw
②	300 ml holder	⑳	Screw (back part of rack handle)
③	Rack (push-out rod) (300 ml holder)	㉑	Piston (for sausages) (sold separately)
④	Piston (for cartridges)	㉒	Rack (push-out rod) (600 ml holder) (sold separately)
⑤	Pin	㉓	Cartridges
⑥	Dial	㉔	600 ml holder (sold separately)
⑦	Trigger switch	㉕	Sausages
⑧	LED light	㉖	Buckets
⑨	Battery	㉗	Piston (for buckets) (sold separately)
⑩	Motor	㉘	Protrusion of holder
⑪	Rack handle	㉙	Groove
⑫	Protrusion (top of body)	㉚	Nozzle
⑬	Release button	㉛	Holder cap
⑭	Name plate	㉜	Nozzle (sold separately)
⑮	Latch	㉝	Hardened sealing material
⑯	Charge indicator lamp	㉞	Display panel
⑰	Hook	㉟	Remaining battery indicator switch
⑱	Groove	㊱	Remaining battery indicator lamp

	Disconnect the battery
	Switching ON
	Switching OFF
	Warning

Battery

	Lights ; The battery remaining power is over 75%
	Lights ; The battery remaining power is 50%–75%.
	Lights ; The battery remaining power is 25%–50%.
	Lights ; The battery remaining power is less than 25%
	Blinks ; The battery remaining power is nearly empty. Recharge the battery soonest possible.
	Blinks ; Output suspended due to high temperature. Remove the battery from the tool and allow it to fully cool down.
	Blinks ; Output suspended due to failure or malfunction. The problem may be the battery so please contact your dealer.

STANDARD ACCESSORIES

In addition to the main unit (1 unit), the package contains the accessories listed on page 24.

Standard accessories are subject to change without notice.






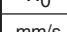
APPLICATIONS

- Applying in ducts, kitchens and bathrooms, exterior walls, etc.
- Filling joints of exterior walls or tile
- Reinforcing airtightness and waterproofing
- Joining and attaching plate glass, and repairing aquariums

SYMBOLS

WARNING

The following show symbols used for the machine.
Be sure that you understand their meaning before use.

	AC18DA: Cordless Caulking Gun
	To reduce the risk of injury, user must read instruction manual.
	Direct current
	Rated voltage
	No-load speed
	millimeters per second

SPECIFICATIONS

1. Power tool

Model	AC18DA
Voltage	18 V
Dispensing speed	0–14 mm/s
Maximum dispensing force	3000 N
Battery available for this tool*	Multi volt battery, BSL18 Series
Weight	2.3 kg (BSL1820M)

* Existing batteries (BSL3660/3620/3626, etc.) cannot be used with this tool.

NOTE

Due to HIKOKI's continuing program of research and development, the specifications herein are subject to change without prior notice.

2. Battery (sold separately)

Model	BSL1820M
Voltage	18 V
Battery capacity	2.0 Ah
Available cordless products*	Multi volt series, 18 V product
Available charger	Sliding charger for lithium ion batteries

* Please see our general catalogue for details.

3. Charger (sold separately)

Model	UC18YSL3
Charging voltage	14.4 V–18 V
Weight	0.6 kg

CHARGING

Before using the power tool, charge the battery as follows.

1. Connect the charger's power cord to the receptacle.
When connecting the plug of the charger to a receptacle, the charge indicator lamp will blink in red (At 1- second intervals).

2. Insert the battery into the charger.

Firmly insert the battery into the charger as shown in **Fig. 4** (on page 2).

3. Charging

When inserting a battery in the charger, the charge indicator lamp will blink in blue.

When the battery becomes fully recharged, the charge indicator lamp will light up in green. (See **Table 1**)

(1) Charge indicator lamp indication

The indications of the charge indicator lamp will be as shown in **Table 1**, according to the condition of the charger or the rechargeable battery.

Table 1

Indications of the charge indicator lamp				
Charge indicator lamp (RED / BLUE / GREEN / PURPLE)	Before charging	Blinks (RED)	Lights for 0.5 seconds. Does not light for 0.5 seconds. (off for 0.5 seconds)	Plugged into power source
	While charging	Blinks (BLUE)	Lights for 0.5 seconds. Does not light for 1 second. (off for 1 second)	Battery capacity at less than 50%
		Blinks (BLUE)	Lights for 1 second. Does not light for 0.5 seconds. (off for 0.5 seconds)	Battery capacity at less than 80%
		Lights (BLUE)	Lights continuously	Battery capacity at more than 80%
	Charging complete	Lights (GREEN)	Lights continuously (Continuous buzzer sound: about 6 seconds)	
	Overheat standby	Blinks (RED)	Lights for 0.3 seconds. Does not light for 0.3 seconds. (off for 0.3 seconds)	Battery overheated. Unable to charge. (Charging will commence when battery cools)
	Charging impossible	Flickers (PURPLE)	Lights for 0.1 seconds. Does not light for 0.1 seconds. (off for 0.1 seconds) (Intermittent buzzer sound: about 2 seconds)	Malfunction in the battery or the charger

English

- (2) Regarding the temperatures and charging time of the rechargeable battery
The temperatures and charging time will become as shown in **Table 2**.

Table 2

Charger		UC18YSL3					
Battery	Type of battery	Li-ion					
	Temperatures at which the battery can be recharged	0°C–50°C					
	Charging voltage	V	14.4		18		
	Charging time, approx. (At 20°C)	min	BSL14xx series		BSL18xx series		Multi volt series
			(4 cells)	(8 cells)	(5 cells)	(10 cells)	(10 cells)
		BSL1415S : 15 BSL1415 : 15 BSL1415X : 15 BSL1420 : 20 BSL1425 : 25 BSL1430C : 30	BSL1430 : 20 BSL1440 : 26 BSL1450 : 32 BSL1460 : 38	BSL1815S : 15 BSL1815 : 15 BSL1815X : 15 BSL1820 : 20 BSL1820M : 20 BSL1825 : 25 BSL1830C : 30 BSL1850C : 32	BSL1830 : 20 BSL1840 : 26 BSL1850 : 32 BSL1860 : 38	BSL36A18 : 32 BSL36B18 : 52	

NOTE

The recharging time may vary according to the ambient temperature and power source voltage.

4. **Disconnect the charger's power cord from the receptacle.**

5. **Hold the charger firmly and pull out the battery.**

NOTE

Be sure to pull out the battery from the charger after use, and then keep it.

- When the charge indicator lamp flickers (at 0.2-second intervals), check for and take out any foreign objects in the charger's battery connector. If there are no foreign objects, it is probable that the battery or charger is malfunctioning. Take it to your authorized Service Center.

Regarding electric discharge in case of new batteries, etc.

As the internal chemical substance of new batteries and batteries that have not been used for an extended period is not activated, the electric discharge might be low when using them the first and second time. This is a temporary phenomenon, and normal time required for recharging will be restored by recharging the batteries 2–3 times.

How to make the batteries perform longer.

- (1) Recharge the batteries before they become completely exhausted.
When you feel that the power of the tool becomes weaker, stop using the tool and recharge its battery. If you continue to use the tool and exhaust the electric current, the battery may be damaged and its life will become shorter.
- (2) Avoid recharging at high temperatures.
A rechargeable battery will be hot immediately after use. If such a battery is recharged immediately after use, its internal chemical substance will deteriorate, and the battery life will be shortened. Leave the battery and recharge it after it has cooled for a while.

CAUTION

- If the battery is charged while it is heated because it has been left for a long time in a location subject to direct sunlight or because the battery has just been used, the charge indicator lamp of the charger lights for 0.3 seconds, does not light for 0.3 seconds (off for 0.3 seconds). In such a case, first let the battery cool, then start charging.

MOUNTING AND OPERATION

Action	Figure	Page
Removing and inserting the battery	3	2
Charging	4	2
Adjusting operating speed*1	5	2
Switch operation*2	6	3
How to use the LED light	7	3
How to use the hook*3	8	3
Removing the holder	9	3
Exchanging the rack (push-out rod)*4	10	4
Types of pistons*5	11	4
Exchanging the piston*6	12	4
Attaching the 300 ml holder	13-a	4
Attaching the 600 ml holder	13-b	4
Using cartridges*7	14	5
Using sausages*7	15	5
Using buckets*7	16	5
Temporarily setting down the tool while working*8	17	6
Removing hardened sealing material*9	18	6

Remaining battery indicator	19	6
Selecting accessories	—	25

*1 Adjusting operating speed

This can be performed even while working. Adjust the speed together with the amount that the switch is pulled.

CAUTION

If the diameter of the cross section of the nozzle is 3 mm or smaller, or if there is an attempt to abruptly dispense at high speed while under low-temperature conditions, the sealing material may leak out on the piston side. Begin at low speed, and gradually increase speed to suit the hardness of the sealing material.

*2 Switch operation

Immediately after the switch is released, the piston retracts slightly to prevent sealing material remaining at the end of the nozzle from dripping.

*3 How to use the Hook

The hook can be used to hang up the unit temporarily during operations.

CAUTION

The hook should never be used to hang the unit on your person.

When using the hook, check to make sure that the main unit will not slip and fall, or become unstable by the wind, etc. Never hang the unit from your belt or trousers as this could cause accidents.

*4 Exchanging the rack (push-out rod)

NOTE

Install the rack (push-out rod) with its teeth facing downward.

*5 Types of pistons

There are 3 types of pistons for different sealing materials.

a: Cartridges

b: Sausages

c: Buckets

Choose a holder and piston according to the sealing material.

*6 Exchanging the piston

The piston can be detached from the rack (push-out rod) by twisting the piston counter-clockwise. To attach it, twist it in the opposite direction to screw it in. Exchanging it does not require any tools.

*7 Using cartridges, sausages, and buckets

CAUTION

Do not make the diameter of the cut cross-section of the nozzle 3 mm or smaller. Doing so may cause leakage of sealing material on the piston side or damage to the holder or holder cap.

*8 Temporarily setting down the tool while working

NOTE

The tool can be temporarily set down upside-down while working. When doing so, set it down on a stable surface.

*9 Removing hardened sealing material

Use the pin included with the 300 ml holder to scrape out and remove the hardened portion of the sealing material inside the nozzle and cartridge, then return the pin to the holder.

NOTE

Be careful not to scratch the inside of the container with the pin.

LED LIGHT WARNING SIGNALS

If any of the safeguard functions is activated during operation of this product, the LED light will blink as notification while the switch is pulled, as described below. If any of the safeguard functions are triggered during operation, the LED light will blink as described in **Table 3**. When any of the safeguard functions are triggered, immediately remove your finger from the switch and follow the instructions described under corrective action.

Table 3

Safeguard Function	LED Light Display	Corrective Action
Overload Protection	On 0.1 second/ off 0.5 second ■ ■ ■	Remove the cause of the overload.

MAINTENANCE AND INSPECTION

WARNING

Be sure to turned off the switch and remove the battery before maintenance and inspection.

1. Inspecting the mounting screws

Regularly inspect all mounting screws and ensure that they are properly tightened. Should any of the screws be loose, retighten them immediately. Failure to do so could result in serious hazard.

2. Maintenance of the motor

The motor unit winding is the very "heart" of the power tool.

Exercise due care to ensure the winding does not become damaged and/or wet with oil or water.

3. Inspection of terminals (tool and battery)

Check to make sure that swarf and dust have not collected on the terminals.

On occasion check prior, during and after operation.

CAUTION

Remove any swarf or dust which may have collected on the terminals.

Failure to do so may result in malfunction.

4. Cleaning on the outside

When the power tool is stained, wipe with a soft dry cloth or a cloth moistened with soapy water. Do not use chloric solvents, gasoline or paint thinner, for they melt plastics.

If the nose grill is blocked with debris, the power tool will work less efficiently.

Clean it gently when necessary with a soft brush.

5. Storage

Store the power tool and the battery in a place in which the temperature is less than 40°C and out of reach of children.

NOTE

Storing lithium-ion batteries.

Make sure the lithium-ion batteries have been fully charged before storing them.

Prolonged storage (3 months or more) of batteries with a low charge may result in performance deterioration, significantly reducing battery usage time or rendering the batteries incapable of holding a charge.

However, significantly reduced battery usage time may be recovered by repeatedly charging and using the batteries two to five times.

If the battery usage time is extremely short despite repeated charging and use, consider the batteries dead and purchase new batteries.

English

CAUTION

In the operation and maintenance of power tools, the safety regulations and standards prescribed in each country must be observed.

SELECTING ACCESSORIES

The accessories of this machine are listed on page 25. For details regarding each bit type, please contact the HiKOKI Authorized Service Center.

Important notice on the batteries for the HiKOKI cordless power tools

Please always use one of our designated genuine batteries. We cannot guarantee the safety and performance of our cordless power tool when used with batteries other than these designated by us, or when the battery is disassembled and modified (such as disassembly and replacement of cells or other internal parts).

NOTE

Due to HiKOKI's continuing program of research and development, the specifications herein are subject to change without prior notice.

TROUBLESHOOTING

Use the inspections in the table below if the tool does not operate normally. If this does not remedy the problem, consult your dealer or the HiKOKI Authorized Service Center.

Symptom	Possible cause	Remedy
Tool doesn't run	No remaining battery power	Charge the battery.
Tool suddenly stopped	The battery is overheated.	Let the battery cool down.
Battery cannot be installed	Attempting to install a battery other than that specified for the tool.	Please install batteries that are multi volt or BSL18xx series.

一般安全規則

⚠ 警告

閱讀本電動工具提供的所有安全警告、指示、說明和規範。

未遵守下列之說明可能導致觸電、火災及 / 或嚴重傷害。

請妥善保存所有警告與說明，以供未來參考之用。

「電動工具」一詞在警告中，係指電源操作（有線）之電動工具或電池操作（無線）之電動工具。

1) 工作場所安全

- a) 保持工作場所清潔及明亮。
雜亂或昏暗的區域容易發生意外。
- b) 勿在易產生爆炸之環境中操作，譬如有易燃液體、瓦斯或粉塵存在之處。
電動工具產生火花會引燃粉塵或煙氣。
- c) 當操作電動工具時，保持兒童及過往人員遠離。
分神會讓你失去控制。

2) 電氣安全

- a) 電動工具插頭必須與插座配合，絕不可以任何方法修改插頭，且不得使用任何轉接插頭於有接地之電動工具。
不修改插頭及所結合之插座可減少電擊。
- b) 避免身體接觸到接地面諸如管子、散熱器、爐灶及冰箱。
如果你的身體接地或搭地，會增加電擊的危險。
- c) 勿讓電動工具淋雨或曝露在潮濕的環境下。
電動工具進水會增加電擊的危險。
- d) 勿濫用電源線。絕勿使用電源線去纏繞、拖拉電動工具或拔插頭，保持電源線遠離熱氣、油氣、尖角或可動零件。
損壞或纏繞的電源線會增加電擊之危險。
- e) 電動工具在室外操作時要使用一適合室外用的延長線。
使用合適之室外用延長線會減少電擊的危險。
- f) 若無法避免在潮濕地區操作電動工具，請使用以殘餘電流裝置 (RCD) 保護的電源。
使用 RCD 可降低觸電危險。

3) 人員安全

- a) 保持機警，注意你正在做什麼，並運用普通常識操作電動工具。
當你感到疲勞或受藥品、酒精或醫療影響時，勿操作電動工具。
操作中瞬間的不注意可能造成人員嚴重的傷害。
- b) 使用個人防護裝備，經常配戴安全眼鏡。
配戴防塵口罩、防滑安全鞋、硬帽等防護裝備，或在適當情況下使用聽覺防護，可減少人員傷害。

- c) 防止意外啟動。在連接電源及 / 或電池組、拿起或攜帶工具前，請確認開關是在「off」(關閉)的位置。
以手指放在開關握持電動工具，或在電動工具的開關於“on”的狀況下插上插頭，都會導致意外發生。
- d) 在將電動工具啟動前，先卸下任何調整用鑰匙或扳手。
扳手或鑰匙遺留在電動工具的轉動部位時，可能導致人員傷害。
- e) 身體勿過度伸張，任何時間要保持站穩及平衡。以便在不預期的狀態下，能對電動工具有較好的控制。
- f) 衣著要合宜，別穿太鬆的衣服或戴首飾。
保持您的頭髮、衣服遠離轉動部位。
寬鬆的衣服、手飾及長髮會被捲入轉動部位。
- g) 如果裝置要用於粉塵抽取及集塵設施，要確保其連接及正當使用。
使用集塵裝置可減少與灰塵相關的危險。
- h) 請勿因頻繁使用本工具，熟悉操作而忽略本工具的安全原則。
粗心的行動有可能瞬間即造成嚴重傷害。

4) 電動工具之使用及注意事項

- a) 勿強力使用電動工具，使用正確之電動工具為你所需。
正確使用電動工具會依其設計條件使工作做得更好更安全。
- b) 如果開關不能轉至開及關的位置，勿使用電動工具。
任何電動工具不能被開關所控制是危險的，必須要修理。
- c) 在進行任何調整、更換配件或收存電動工具之前，請斷開插頭與電源的連接，且 / 或將電池從電動工具中取出（如果電池為可拆卸式）。
此種預防安全措施可減少意外開啟電動機之危險。
- d) 收存停用之電動工具，遠離兒童，且不容許不熟悉電動工具或未瞭解操作電動工具說明書的人操作電動工具。
在未受過訓練的人手裡，電動工具極為危險。
- e) 保養電動工具和配件。檢核是否有可動零件錯誤的結合或卡住、零件破裂及可能影響電動工具操作的任何其他情形。電動工具如果損壞，在使用前要修好。
許多意外皆肇因於不良的保養。
- f) 保持切割工具銳利清潔。
適當的保養切割工具，保持銳利之切割鋒口，可減少卡住並容易控制。
- g) 按照說明書使用電動工具、配件及刀具時，必須考量工作條件及所執行之工作。
若未依照這些使用說明操作電動工具時，可能造成相關之危害情況。

- h) 保持把手和握持面乾燥、清潔，且未沾到油脂和潤滑油。
滑溜的把手和握持面在操作時會有安全上的問題，且可能造成本工具意外失去控制。

5) 電池式工具的使用及注意事項

- a) 需再充電時，僅能使用製造商指定的充電器。因充電器僅適合同一型式的電池組，若使用任何其它電池組時，將導致起火的危險。
- b) 使用電動工具時，僅能使用按照其特性設計的電池組。
因使用其它任何電池組時，將導致人員傷害及起火的危險。
- c) 當電池組不在使用時，需保存遠離其它的金屬物件，例如：迴紋針、錢幣、鑰匙、圖釘、螺釘，或類似能造成端子與端子間連接的其它較小金屬物件。
因電池組端子間短路時，將導致燃燒或起火的危險。
- d) 在誤用情況下，電解液可能自電池中噴出；請避免接觸。當發生意外接觸時，請用清水沖洗。若電解液觸及眼睛時，請儘速尋求醫療協助。
因自電池中噴出的電解液，將導致灼傷或刺激皮膚。
- e) 請勿使用損壞或改造的電池組或工具。
損壞或改造的電池可能會發生不可預知的行為，進而導致火災、爆炸或受傷的風險。
- f) 請勿使電池組或工具接觸到火源或處於溫度過高的地方。
接觸火源或溫度超過 130°C 可能會引起爆炸。
- g) 請遵循所有充電指示，並且不要在說明書指定的溫度範圍之外為電池組或工具充電。
充電不當或溫度超出指定範圍可能會損壞電池並增加火災的風險。

6) 維修

- a) 讓你的電動工具由合格修理人員僅使用相同的維修零件更換。
如此可確保電動工具的安全得以維持。
- b) 切勿對損壞的電池組進行維修。
電池組的維修只能由製造商或授權服務商進行。

注意事項

不可讓孩童和體弱人士靠近工作場所。
應將不使用的工具存放在孩童和體弱人士伸手不及的地方。

注膠槍安全警告

1. 使用過程中請用雙手緊握工具機身。(圖 2)
2. 請勿對會導致馬達鎖定的工具施加不合理的負擔，例如嘗試使用硬化密封材料。
去除硬化密封材料，因為其可能導致故障。
3. 使用前，亦參閱密封材料包裝上的說明，以確保正確使用。
4. 工作時戴上護目鏡。
5. 請勿在有易燃物質（如噴漆、油漆、苯、稀釋劑或汽油）的地方使用。
6. 如果您發現本機產生異常高溫、運作不良或發出異常噪音，請立即停止使用並關閉電源開關。請要求您所購買本機的經銷商或 HiKOKI 授權服務中心進行檢查和維修。
在異常運作時繼續使用可能會導致受傷。
7. 如果本機不慎掉落或撞擊到其他物品，請仔細檢查本機是否有裂痕、破損或變形等。
如果本機有裂痕、破損或變形，可能會導致受傷。
8. 切勿觸摸移動中的零件。
切勿將手、手指或其他身體部位靠近工具的移動中的零件。
9. 切勿讓工具處於無人看守的狀態。關閉電源。
在完全停止之前不要離開工具。
10. 在高處操作本工具時，確保下方無人。
11. 請勿在如梯子或階梯上等腳步不穩定的地方操作。
否則可能會造成受傷。
12. 請勿以其他物體撞擊工具；避免工具掉落等強烈撞擊；並且不要讓工具弄濕。
這其中任何一種行為都可能損壞內建精密零件並導致故障。
13. 不要直視光而使眼睛直接暴露於光下。使眼睛持續暴露於光下會致其受傷。
用軟布擦去附著在 LED 鏡頭上的灰塵或污垢，注意不要刮傷鏡頭。
LED 鏡頭上的刮痕可能會導致亮度下降。
14. 運輸時的注意事項
 - 釋放機器機體上的開關並取出電池。
 - 握住機體上的握把搬運機器。
 - 使用車輛運輸時，請採取適當措施，防止其掉落或損壞。

附加安全警告

1. 給電池充電時溫度必須為 0°C – 40°C。溫度低於 0°C 會導致過度充電，這是很危險的。不能在溫度高於 40°C 時給電池充電。
最合適的充電溫度是 20°C – 25°C。

2. 請勿連續使用充電器。
完成一次充電後，將充電器放置約 15 分鐘後才能再次給電池充電。
3. 勿讓雜質進入充電電池連接口內。
4. 切勿拆卸充電電池與充電器。
5. 切勿使充電電池短路。
電池短路將會造成很大的電流和過熱，從而燒壞電池。
6. 請勿將電池丟入火中。電池受熱會爆炸。
7. 充電後電池壽命若太短不夠使用，請儘快將電池送往經銷店。不可將用過的電池丟棄。
8. 請勿將異物插入充電器的通風口。若將金屬異物或易燃物插入通風口，將引起觸電事故或使充電器受損。
9. 連續使用本機時，銼鑽可能出現過熱而導致馬達和開關損壞。因此，每當機殼變熱時，讓工具休息一會兒。
10. 確保電池安裝牢固。如果有鬆動，可能會脫落而造成事故。
11. 如果工具或電池端子（電池座）變形，請勿使用本產品。
安裝電池可能會造成短路，從而導致冒煙或起火。
12. 保持工具的端子（電池座）沒有削屑和灰塵。
○ 使用前請確認端子區域沒有堆積削屑和灰塵。
○ 使用過程中盡量避免工具上的削屑或灰塵掉落在電池上。
○ 暫停操作或使用後，請勿將工具留在可能暴露於有掉落削屑或灰塵的區域。
否則可能會造成短路，從而導致冒煙或起火。
13. 務必在 -5°C 至 40°C 的溫度下使用本工具和電池。

鋰離子電池使用注意事項

為延長使用壽命，鋰離子電池備配停止輸出的保護功能。

若是在使用本產品時發生下列 1 至 3 的情況，即使按下開關，馬達也可能停止。這並非故障，而是啟動保護功能的結果。

1. 在殘留的電池電力即將耗盡時，馬達會停止。
在這種情況下，請立即予以充電。
2. 若工具超過負荷，馬達亦可能停止。在這種情況下，請鬆開工具的開關，試著消除超過負荷的原因。之後您就可以再度使用。
3. 若電池在過載工作情況下過熱，電池電力可能會中止。
在這種情況下，請停止使用電池，讓電池冷卻。之後您就可以再度使用。

此外，請留心下列的警告及注意事項。

警告

為事先防止電池發生滲漏、發熱、冒煙、爆炸及起火等事故，請確保留意下列事項。

1. 確保電池上沒有堆積削屑及灰塵。
○ 在工作時確定削屑及灰塵沒有掉落在電池上。
○ 確定所有工作時掉落在電動工具上的削屑和灰塵沒有堆積在電池上。
○ 請勿將未使用的電池存放在曝露於削屑和灰塵的位置。
○ 在存放電池之前，請清除任何可能附著在上面的削屑和灰塵，並請切勿將它與金屬零件（螺絲、釘子等）存放在一起。
2. 請勿以釘子等利器刺穿電池、以鐵錘敲打、踩踏、丟擲電池，或將其劇烈撞擊。
3. 切勿使用明顯損壞或變形的電池。
4. 請依規定方式使用電池，切勿移作他用。
5. 如果已過了再充電時間，電池仍無法完成充電，請立即停止繼續充電。
6. 請勿將電池放置於高溫或高壓處，例如微波爐、烘乾機或高壓容器內。
7. 發現有滲漏或異味時，請立即將電池遠離火源處。
8. 請勿在會產生強烈靜電的地方使用。
9. 如電池出現滲漏、異味、發熱、褪色或變形，或在使用、充電或存放時出現任何異常，請立即將它從裝備或電池充電器拆下，並停止使用。
10. 請勿將電池浸入任何液體，或讓任何液體流入電池內。若水等具有傳導性的液體滲入，可能會造成損壞，進而導致火災或爆炸。將電池存放在陰涼、乾燥的地方，遠離可燃及易燃物品。必須避免腐蝕性氣體環境。

注意

1. 若電池滲漏出的液體進入您的眼睛，請勿搓揉眼睛，並以自來水等乾淨清水充分沖洗，立刻送醫。若不加以處理，液體可能會導致眼睛不適。
2. 若液體滲漏至您的皮膚或衣物，請立即以自來水等清水沖洗。
上述情況可能會使皮膚受到刺激。
3. 若初次使用電池時發現生銹、異味、過熱、褪色、變形及／或其他異常情況時，請勿使用並將該電池退還給供應商或廠商。

警告

若具有導電性的異物進入鋰離子電池的端子，可能會造成短路，進而引發火災。請在存放電池時遵循以下事項。

- 請勿將導電物品，如鐵釘、鐵絲等金屬絲，銅線和電線放入儲存箱內。
- 為了防止發生短路，將電池裝入工具內或確實壓下電池蓋儲存電池，直至遮住通風孔為止。

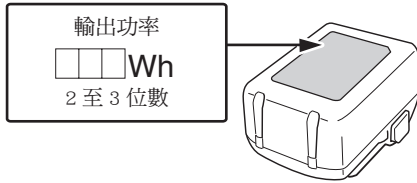
關於鋰離子電池的運輸

運輸鋰離子電池時，請遵守以下注意事項。

警告

安排運輸時，請通知運輸公司包裹中含有鋰離子電池，告知該電池之輸出功率，並按照運輸公司的指示。

- 輸出功率超過 100 Wh 的鋰離子電池被視為貨物分類中的危險物品，將需要特殊的申請程序。
- 對於國外的運輸，必須遵守國際法規則和目的國法規。



各部位名稱 (圖 1 - 圖 19)

① 支架螺帽	⑩ 齒條把手	⑭ 銘牌	⑲ 螺絲
② 300 ml 支架	⑪ 突起處 (機身頂部)	⑮ 門扣	⑳ 螺絲 (齒條把手後部)
③ 齒條 (推出桿) (300 ml 支架)	⑫ 釋放按鈕	⑯ 凹槽	㉑ 活塞 (蠟腸包用) (另售)
④ 活塞 (卡匣用)	⑬ 齒條 (推出桿) (600 ml 支架) (另售)	⑰ 掛鉤	㉒ 齒條 (推出桿) (600 ml 支架) (另售)
⑤ 銷	⑭ 卡匣	⑱ 凹槽	㉓ 卡匣
⑥ 轉盤	⑮ 600 ml 支架 (另售)	⑳ 噴嘴	㉔ 600 ml 支架 (另售)
⑦ 扳機開關	⑯ 蠟腸包		㉕ 蠟腸包
⑧ LED 燈	⑰ 水桶		㉖ 水桶
⑨ 電池	⑱ 活塞 (水桶用) (另售)		㉗ 活塞 (水桶用) (另售)
⑩ 馬達	⑲ 支架突起處		㉘ 支架突起處
⑪ 齒條把手	⑳ 凹槽		㉙ 凹槽
⑫ 突起處 (機身頂部)	㉑ 噴嘴		㉚ 噴嘴
⑬ 釋放按鈕			
⑭ 銘牌			
⑮ 門扣			
⑯ 凹槽			
⑰ 掛鉤			
⑱ 凹槽			
⑲ 螺絲			
⑳ 螺絲 (齒條把手後部)			
㉑ 活塞 (蠟腸包用) (另售)			
㉒ 齒條 (推出桿) (600 ml 支架) (另售)			
㉓ 卡匣			
㉔ 600 ml 支架 (另售)			
㉕ 蠟腸包			
㉖ 水桶			
㉗ 活塞 (水桶用) (另售)			
㉘ 支架突起處			
㉙ 凹槽			
㉚ 噴嘴			

⑳ 噴嘴 (另售)	㉓ 硬化密封材料	㉔ 顯示面板	㉕ 電池剩餘量指示燈開關
㉖ 噴嘴 (另售)	㉔ 顯示面板	㉕ 電池剩餘量指示燈	㉖ 電池剩餘量指示燈
㉗ 硬化密封材料	㉕ 電池剩餘量指示燈	㉖ 電池剩餘量指示燈	

符號

警告

以下為使用於本機器的符號。請確保您在使用前明白其意義。

	AC18DA : 注膠槍
	使用前請詳讀使用說明書。
	直流電流
V	額定電壓
n ₀	無負荷速度
mm/s	公釐 / 每秒
	取出電池
I	開關 ON
O	開關 OFF
	警告

電池

	亮起： 電池剩餘電量超過 75%。
	亮起： 電池剩餘電量為 50% - 75%。
	亮起： 電池剩餘電量為 25% - 50%。
	亮起： 電池剩餘電量少於 25%。
	閃爍： 電池剩餘電量幾近零。請盡快進行充電。
	閃爍： 由於高溫導致輸出被暫停。從工具中取出電池，並使其完全冷卻。
	閃爍： 由於故障或機能失常導致輸出被暫停。問題可能是電池，請聯繫您的經銷商。

標準附件

除了主機身(1台)以外，包裝盒內包含第24頁所列之附件。

標準附件可能不預先通告而徑予更改。

用途

- 適用於導管、廚衛、外牆等。
- 外牆或瓷磚填縫
- 加強氣密性和防水性
- 連接和安裝平板玻璃，以及修理水族箱

規格

1. 電動工具

機型	AC18DA
電壓	18 V
點膠速度	0–14 mm/s
最大點膠力	3000 N
可用於本工具的電池*	多伏特電池，BSL18系列
重量	2.3 kg (BSL1820M)

* 本工具不能使用現有的電池
(BSL3660/3620/3626等)。

註：

為求改進，本手冊所載規格可能不預先通告而徑予更改。

2. 電池（另售）

機型	BSL1820M
電壓	18 V
電池容量	2.0 Ah
可用的充電式產品*	多伏特系列，18V產品
可用的充電器	鋰離子電池用滑動式充電器

* 詳情請參閱本公司的綜合目錄。

3. 充電器（另售）





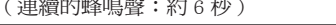


機型	UC18YSL3
充電電壓	14.4 V–18 V
重量	0.6 kg

充電

使用電動工具之前，按下述方法將電池進行充電。

1. 將充電器的電源線連接到插座。
當充電器的插頭連接到插座時，充電信號燈會閃爍紅燈（間隔為1秒）。
 2. 將電池裝入充電器。
將電池確實插入充電器如圖4（第2頁）所示。
 3. 充電
當電池插入充電器時，充電信號燈會閃爍藍燈。
當電池完全充電時，充電信號燈會亮起綠燈。（見表1）
- (1) 充電信號燈指示
依據充電器或充電電池的狀態，充電信號燈會有不同的指示，如表1所示。

表 1

充電信號燈的指示				
充電信號燈 (紅 / 藍 / 綠 / 紫)	充電前	閃爍 (紅)	亮起 0.5 秒，熄滅 0.5 秒。(熄滅間 0.5 秒) 	插入電源
	充電時	閃爍 (藍)	亮起 0.5 秒，熄滅 1 秒。(熄滅間 1 秒) 	電池容量少於 50%
		閃爍 (藍)	亮起 1 秒，熄滅 0.5 秒。(熄滅間 0.5 秒) 	電池容量少於 80%
		亮起 (藍)	持續亮起 	電池容量超過 80%
	充電完成	亮起 (綠)	持續亮起  (連續的蜂鳴聲：約 6 秒)	
	過熱待機	閃爍 (紅)	亮起 0.3 秒，熄滅 0.3 秒。(熄滅間 0.3 秒) 	電池過熱。 無法充電。 (待電池降溫後便會開始充電)
	無法充電	快速閃爍 (紫)	亮起 0.1 秒，熄滅 0.1 秒。(熄滅間 0.1 秒)  (間歇的蜂鳴聲：約 2 秒)	電池或充電器故障

(2) 關於充電池的溫度和充電時間
溫度和充電時間如表 2 中所示。

表 2

充電器		UC18YSL3					
電池	電池類型	Li-ion					
	電池可充電的溫度	0°C – 50°C					
	充電電壓	V	14.4		18		
	充電時間， 約 (於 20°C)	分鐘	BSL14xx 系列		BSL18xx 系列		多伏特系列
			(4 個電池芯)	(8 個電池芯)	(5 個電池芯)	(10 個電池芯)	(10 個電池芯)
			BSL1415S: 15 BSL1415 : 15 BSL1415X: 15 BSL1420 : 20 BSL1425 : 25 BSL1430C: 30	BSL1430 : 20 BSL1440 : 26 BSL1450 : 32 BSL1460 : 38	BSL1815S: 15 BSL1815 : 15 BSL1815X: 15 BSL1820 : 20 BSL1820M: 20 BSL1825 : 25 BSL1830C: 30 BSL1850C: 32	BSL1830 : 20 BSL1840 : 26 BSL1850 : 32 BSL1860 : 38	BSL36A18 : 32 BSL36B18 : 52

註：
根據環境溫度和電源電壓，充電時間可能會有所不同。

4. 將充電器的電源線從插座拔下。
5. 拿穩充電器並取出電池。

註：

充電結束後，務必從充電器取出電池，然後妥善存放。

使用新電池或其他電池，產生電量較弱的問題時。

由於新電池及長時間未使用之電池的內部化學物質未活化，因此初次及第二次使用時的電量會較弱。此為暫時現象；在充電 2 至 3 次後，電量就會恢復正常。

怎樣讓電池使用時間更長。

- (1) 在電池電量完全耗盡之前給電池充電。
在感覺工具的動力變弱時，停止使用工具並為電池充電。如果繼續使用工具消耗電流，可能會造成對電池的損壞，電池使用壽命會縮短。
- (2) 避免在高溫下充電。
充電電池在剛使用後會發熱。如果在電池剛使用後為電池充電，電池的內部化學物質的性能會下降，電池使用壽命會縮短。請先將電池放置一會兒，待電池冷卻後再進行充電。

注意

- 電池因長時間放置在直射陽光處遭到日曬或剛使用後會發熱，若在此時進行充電，充電器的信號燈會亮起 0.3 秒，非亮起 0.3 秒（熄滅 0.3 秒）。此時您必須先待電池冷卻，再進行充電。
- 充電信號燈快速閃爍時（間隔時間為 0.2 秒），請檢查充電器的電池連接處是否有異物並加以清除。若沒有異物，則表示電池或充電器可能發生故障，請將其送往當地授權服務中心。

安裝 600 ml 支架	13-b	4
使用卡匣 *7	14	5
使用臘腸包 *7	15	5
使用水桶 *7	16	5
工作時暫時放下工具 *8	17	6
去除硬化密封材料 *9	18	6
電池剩餘量指示燈	19	6
選擇附件	—	25

*1 調整運作速度

即使在工作時也可執行此操作。與拉動開關的量一起調整速度。

注意

如果噴嘴的橫切面直徑為 3 mm 或更小，或者如果在低溫狀況下試圖以高速突然點膠，則密封材料可能會在活塞側洩漏。
從低速開始，逐漸增加速度以適應密封材料的硬度。

*2 開關操作

釋放開關後，活塞會立即略微縮回，以防止殘留在噴嘴末端的密封材料滴落。

*3 如何使用掛鉤

掛鉤可以用來在操作期間暫時吊掛本機。

注意

切勿使用掛鉤將本機吊掛在您身上。
使用掛鉤時，請檢查以確保主機身不會滑落，或因風等原因而不穩定等。
切勿將本機吊掛在腰帶或褲子上，否則可能會導致事故。

*4 更換齒條（推出桿）

註

安裝齒條（推出桿），齒面朝下。

*5 活塞類型

有 3 種類型的活塞用於不同的密封材料。
a: 卡匣
b: 臘腸包
c: 水桶
根據密封材料選擇支架和活塞。

*6 更換活塞

逆時針轉動活塞可將活塞與齒條（推出桿）分離。若要安裝活塞，請以相反方向扭轉以將其擰入。更換活塞不需要任何工具。

*7 使用卡匣、臘腸包和水桶

注意

請勿使噴嘴的切割橫切面直徑為 3 mm 或更小。否則可能會導致密封材料在活塞側洩漏或者支架或支架蓋損壞。

安裝和操作

動作	圖表	頁數
取出和安裝電池	3	2
充電	4	2
調整運作速度 *1	5	2
開關操作 *2	6	3
如何使用 LED 燈	7	3
如何使用掛鉤 *3	8	3
卸下支架	9	3
更換齒條（推出桿）*4	10	4
活塞類型 *5	11	4
更換活塞 *6	12	4
安裝 300 ml 支架	13-a	4

中國語

*8 工作時暫時放下工具

註

本工具可以在工作時臨時倒置。要倒置時，請將其放在穩定的表面上。

*9 去除硬化密封材料

使用 300 ml 支架隨附的銷刮掉並去除噴嘴和卡匣內密封材料的硬化部分，然後將銷放回支架上。

註

小心不要用銷刮傷容器內部。

LED 燈警示信號

如果在操作本產品期間啟動了任何安全保護功能，則在拉動開關的同時，LED 燈將閃爍作為通知，如下所述。該產品配備有保護工具本身及電池的功能。若在操作期間有任何的保護功能被啟動，LED 燈將閃爍如表 3 所述。當有任何的保護功能被啟動時，請立即從開關上移開手指，並按照下述校正動作的指示。

表 3

保護功能	LED 燈顯示	校正動作
過載保護	亮起 0.1 秒 / 熄滅 0.5 秒 ■ ■ ■	移除過載的原因。

維護和檢查

警告

進行維修和檢查之前，務必要關閉開關，並取出電池。

1. 檢查安裝螺釘

要經常檢查安裝螺釘是否緊固妥善。若發現螺釘鬆了，應立即重新扭緊，否則會導致嚴重的事故。

2. 電動機的維護

電動機繞線是電動工具的心臟部。應仔細檢查有無損傷，是否被油液或水沾濕。

3. 端子的檢查（工具和電池）

檢查以確保端子上沒有堆積削屑和灰塵。
有時於操作前、操作期間和操作後檢查。

注意

去除任何可能已堆積在端子上的削屑或灰塵。否則可能會導致故障。

4. 清理外部

電動工具髒汙時，請使用乾淨軟布或沾肥皂水的布擦拭。切勿使用氯溶液、汽油或稀釋劑，以免塑膠部分溶化。

如果機頭格柵被碎屑堵住，電動工具的作業效率就會降低。

必要時用軟刷輕輕清潔。

5. 收藏

電動工具和電池應收藏於溫度低於 40°C 而為小孩拿不到的地方。

註：

存放鋰離子電池。

存放鋰離子電池前，確保其已完全充電。

電池在低電力的狀態下長期存放（3 個月以上），可能會導致性能劣化，電池的使用時間顯著降低或無法再進行充電。

然而，反覆將電池充電和暫停充電二至五次，可能會改善電池使用時間的顯著降低情況。

反覆充電後，若電池的使用時間仍呈現極短現象，表示電池壽命已盡，請購買新的電池。

注意

在操作和維修電動工具中，必須遵守各國的安全規則和標準規定。

選擇配件

本機器的配件列在第 25 頁。

有關每種鑽頭類型的詳情，請聯繫 HIKOKI 授權服務中心。

HIKOKI 充電式工具電池重要注意事項

請務必使用本公司所指定的原廠電池。若未使用本公司所指定的電池，或使用經拆解及改裝的電池（例如，拆解後更換電池芯或其他內部零件），則本公司無法保證充電式工具的性能及操作安全。

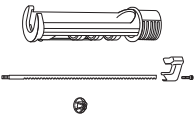
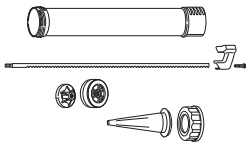


註：

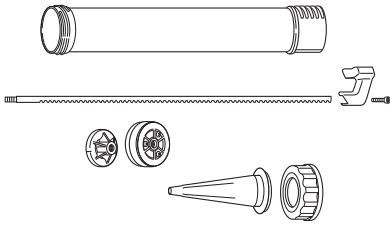
為求改進，本手冊所載規格可能不預先通告而徑予更改。

疑難排解

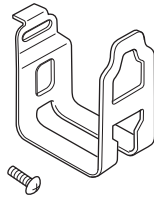
若電動工具無法正常運作，請參閱下表的檢查項目。若問題仍無法解決，請洽當地經銷商或 HIKOKI 所認可的維修中心。

情況	可能原因	解決方法
工具無法運轉	無剩餘電池電量	為電池充電。
工具突然停止	電池過熱。	讓電池冷卻下來。
電池無法安裝	試圖安裝非該工具所指定的電池。	請安裝多伏特型或 BSL18xx 系列電池。

	AC18DA	
	(NNSC)	(NN)
	1	1
	1	-
	1	1
	1	1



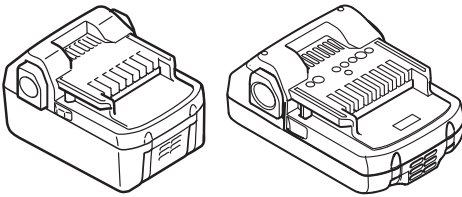
378712



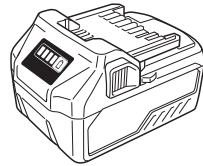
373035
373378



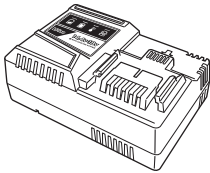
875769



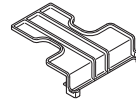
BSL18..



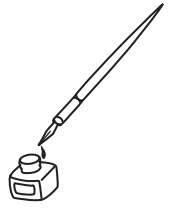
BSL36..18

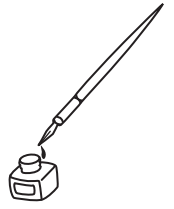


UC18YSL3 (14.4 V-18 V)



329897





Koki Holdings Co., Ltd.

Shinagawa Intercity Tower A, 15-1, Konan 2-chome,
Minato-ku, Tokyo, Japan