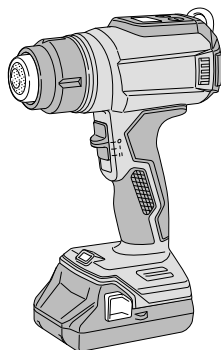


Model  
Modèle  
Modelo

## RH18DA

**Cordless Heat Gun**  
**Pistolet à air chaud sans fil**  
**Pistola de calor inalámbrica**



Without charger and battery  
Sans chargeur et batterie  
Sin cargador y batería

## SAFETY INSTRUCTIONS AND INSTRUCTION MANUAL

### **⚠ WARNING**

**IMPROPER OR UNSAFE** use of this power tool can result in death or serious bodily injury!  
This manual contains important information about product safety. Please read and understand this manual **BEFORE** operating the power tool. Please keep this manual available for other users and owners before they use the power tool. This manual should be stored in safe place.

## INSTRUCTIONS DE SECURITE ET MODE D'EMPLOI

### **⚠ AVERTISSEMENT**

Une utilisation **INCORRECTE OU DANGEREUSE** de cet outil motorisé peut entraîner la mort ou de sérieuses blessures corporelles!  
Ce mode d'emploi contient d'importantes informations à propos de la sécurité de ce produit. Prière de lire et de comprendre ce mode d'emploi **AVANT** d'utiliser l'outil motorisé. Garder ce mode d'emploi à la disponibilité des autres utilisateurs et propriétaires avant qu'ils utilisent l'outil motorisé. Ce mode d'emploi doit être conservé dans un endroit sûr.

## INSTRUCCIONES DE SEGURIDAD Y MANUAL DE INSTRUCCIONES

### **⚠ ADVERTENCIA**

¡La utilización **INAPROPIADA O PELIGROSA** de esta herramienta eléctrica puede resultar en lesiones de gravedad o la muerte!  
Este manual contiene información importante sobre la seguridad del producto. Lea y comprenda este manual **ANTES** de utilizar la herramienta eléctrica. Guarde este manual para que puedan leerlo otras personas antes de utilizar la herramienta eléctrica. Este manual debe ser guardado en un lugar seguro.

---

## IMPORTANT SAFETY INSTRUCTIONS

---

Read and understand all of the safety precautions, warnings and operating instructions in the Instruction Manual before operating or maintaining this power tool.

Most accidents that result from power tool operation and maintenance are caused by the failure to observe basic safety rules or precautions. An accident can often be avoided by recognizing a potentially hazardous situation before it occurs, and by observing appropriate safety procedures.

Basic safety precautions are outlined in the "SAFETY" section of this Instruction Manual and in the sections which contain the operation and maintenance instructions.

Hazards that must be avoided to prevent bodily injury or machine damage are identified by WARNINGS on the power tool and in this Instruction Manual.

**NEVER** use this power tool in a manner that has not been specifically recommended by metabo HPT.

---

## MEANINGS OF SIGNAL WORDS

---

**WARNING** indicates a potentially hazardous situations which, if ignored, could result in death or serious injury.

**CAUTION** indicates a potentially hazardous situations which, if not avoided, may result in minor or moderate injury, or may cause machine damage.

**NOTE** emphasizes essential information.

# SAFETY

---

## GENERAL POWER TOOL SAFETY WARNINGS

---

### WARNING

**Read all safety warnings and all instructions.**

Failure to follow the warnings and instructions may result in electric shock, fire and/or serious injury.

**Save all warnings and instructions for future reference.**

The term "power tool" in the warnings refers to your mains-operated (corded) power tool or battery-operated (cordless) power tool.

- 1) **Work area safety**
  - a) **Keep work area clean and well lit.**

Cluttered or dark areas invite accidents.
  - b) **Do not operate power tools in explosive atmospheres, such as in the presence of flammable liquids, gases or dust.**

Power tools create sparks which may ignite the dust or fumes.
  - c) **Keep children and bystanders away while operating a power tool.**

Distractions can cause you to lose control.
- 2) **Electrical safety**
  - a) **Power tool plugs must match the outlet. Never modify the plug in any way. Do not use any adapter plugs with earthed (grounded) power tools.**

Unmodified plugs and matching outlets will reduce risk of electric shock.
  - b) **Avoid body contact with earthed or grounded surfaces such as pipes, radiators, ranges and refrigerators.**

There is an increased risk of electric shock if your body is earthed or grounded.
  - c) **Do not expose power tools to rain or wet conditions.**

Water entering a power tool will increase the risk of electric shock.
  - d) **Do not abuse the cord. Never use the cord for carrying, pulling or unplugging the power tool.**

**Keep cord away from heat, oil, sharp edges or moving parts.**  
Damaged or entangled cords increase the risk of electric shock.
  - e) **When operating a power tool outdoors, use an extension cord suitable for outdoor use.**

Use of a cord suitable for outdoor use reduces the risk of electric shock.

- f) **If operating a power tool in a damp location is unavoidable, use a residual current device (RCD) protected supply.**  
Use of an RCD reduces the risk of electric shock.
- 3) **Personal safety**
- a) **Stay alert, watch what you are doing and use common sense when operating a power tool. Do not use a power tool while you are tired or under the influence of drugs, alcohol or medication.**  
A moment of inattention while operating power tools may result in serious personal injury.
- b) **Use personal protective equipment. Always wear eye protection.**  
Protective equipment such as dust mask, non-skid safety shoes, hard hat, or hearing protection used for appropriate conditions will reduce personal injuries.
- c) **Prevent unintentional starting. Ensure the switch is in the off-position before connecting to power source and/or battery pack, picking up or carrying the tool.**  
Carrying power tools with your finger on the switch or energising power tools that have the switch on invites accidents.
- d) **Remove any adjusting key or wrench before turning the power tool on.**  
A wrench or a key left attached to a rotating part of the power tool may result in personal injury.
- e) **Do not overreach. Keep proper footing and balance at all times.**  
This enables better control of the power tool in unexpected situations.
- f) **Dress properly. Do not wear loose clothing or jewellery. Keep your hair, clothing and gloves away from moving parts.**  
Loose clothes, jewellery or long hair can be caught in moving parts.
- g) **If devices are provided for the connection of dust extraction and collection facilities, ensure these are connected and properly used.**  
Use of dust collection can reduce dust-related hazards.
- 4) **Power tool use and care**
- a) **Do not force the power tool. Use the correct power tool for your application.**  
The correct power tool will do the job better and safer at the rate for which it was designed.
- b) **Do not use the power tool if the switch does not turn it on and off.**  
Any power tool that cannot be controlled with the switch is dangerous and must be repaired.
- c) **Disconnect the plug from the power source and/or the battery pack from the power tool before making any adjustments, changing accessories, or storing power tools.**  
Such preventive safety measures reduce the risk of starting the power tool accidentally.
- d) **Store idle power tools out of the reach of children and do not allow persons unfamiliar with the power tool or these instructions to operate the power tool.**  
Power tools are dangerous in the hands of untrained users.
- e) **Maintain power tools. Check for misalignment or binding of moving parts, breakage of parts and any other condition that may affect the power tool's operation.**  
**If damaged, have the power tool repaired before use.**  
Many accidents are caused by poorly maintained power tools.
- f) **Keep cutting tools sharp and clean.**  
Properly maintained cutting tools with sharp cutting edges are less likely to bind and are easier to control.
- g) **Use the power tool, accessories and tool bits etc. in accordance with these instructions, taking into account the working conditions and the work to be performed.**  
Use of the power tool for operations different from those intended could result in a hazardous situation.
- 5) **Battery tool use and care**
- a) **Don't open battery which may cause short circuit.**
- b) **Protect the battery from being long time sunshine and high temperature, flame, water and humidity ingress which may exist explosion dangerous.**
- c) **When battery pack is not in use, keep it away from other metal objects, like paper clips, coins, keys, nails, screws or other small metal objects, that can make a connection from one terminal to another. *Shorting the battery terminals together may cause burns or a fire.***
- d) **Under abusive conditions, liquid may be ejected from the battery; avoid contact. If contact accidentally occurs, flush with water. **If liquid contacts eyes, additionally seek medical help.****  
Liquid ejected from the battery may cause irritation or burns.

- e) If battery damaged or doesn't follow usage instruction, which may generate poisonous steam. Working area must ensure the air ventilation, if any uncomfortable then go to hospital for medical treatment as the steam from the battery could stimulate the aspiratory tract.
  - f) **Recharge only with the charger specified by the manufacturer.** *A charger that is suitable for one type of battery pack may create a risk of fire when used with another battery pack.*
  - g) **Use power tools only with specifically designated battery packs.** *Use of any other battery packs may create a risk of injury, overload and fire.*
  - h) **With sharp edges or tips object as nails or screw driver could damage the battery, which may cause inner short circuit, flame, smoke, explode or extreme heat.**
  - i) **Do not incinerate this heat gun even if it is severely damaged. The batteries can explode in a fire.**
- 6) **Service**
- a) **Have your power tool serviced by a qualified repair person using only identical replacement parts.**  
This will ensure that the safety of the power tool is maintained.

## - WARNING -

To reduce the risk of injury, user must read instruction manual.

---

## CORDLESS HEAT GUN SAFETY WARNINGS

---

### WARNING

1. Do not use the tool with wet hands.  
Failure to observe this may result in electric shocks.
2. Keep your hands and face away from the nozzle.
3. Always check the work area prior to use, and do not use the tool if safety cannot be guaranteed.  
Failure to observe this may result in inflammable articles concealed in or behind invisible areas (cases, ceilings, floors, hollow areas) being ignited.
4. Do not use the tool in the vicinity of volatile substances (thinner, gasoline, etc.)  
Failure to observe this may result in the outbreak of fire or explosions.
5. When working in elevated locations, make sure there are no people or flammable materials underneath.  
Failure to observe this may result in accidents.
6. Do not point the hot air directly at people or animals. Do not look into the nozzle. Do not use it as a hair dryer under any circumstances.

Failure to observe this may result in accidents or injury.

7. There are cases in which highly toxic gas will be emitted if used on plastic, lacquer or similar materials. Always ensure that the work area is fully ventilated, and wear a dust-protection mask.
8. Apply heat gently while moving the Heat Gun up, down, left and right.  
Aiming it constantly at a single location may result in the outbreak of smoke or fire.
9. Check the tool for damage, cracks or malformation in the event of it being accidentally dropped or subject to impact.  
Damage, cracks and malformation may result in injury.
10. Cease operations immediately in the event of the tool not operating properly or if abnormal noises or vibrations are noticed, and contact metabo HPT Authorized Service Center to request inspections and repairs.  
Continued use may result in injury.
11. Do not get away from the unit while it is switched on. Always return the switch to the OFF (O) position when you are finished working.  
Failure to observe this may result in accidents.

### Important safety Warning:

#### The appliance for indoor use only

- a) Hidden areas such as behind walls, ceilings, floors, soffit boards and other panels may contain flammable materials that could be ignited by the heat gun when working in these locations. The ignition of these materials may not be readily apparent and could result in property damage and injury to persons.

When working in these locations, keep the heat gun moving in a back-and-forth motion.

Lingering or pausing in one spot could ignite the panel or the material behind it.

#### b) IMPORTANT SAFETY INSTRUCTIONS.

#### READ THESE INSTRUCTIONS

#### Extra safety instruction of cordless heat gun

- **Don't put hands on the air inlet or block the air ventilation in any way.**
- **During usage, nozzle and other accessory will be extremely high temperature, which can be touch after completely cool down.**
- **Cut off the power source before put down the machine.**
- **Please avoid the machine in unattended status when the machine is running.**
- **Unintentional of cordless heat gun could lead to fire risk.**
- **Please not to use cordless heat gun in humidity or easy flammable, explosive places.**
- **Storage the cordless heat gun when completely cool down.**

- Ensure appropriate air ventilation to expel the poisonous smoke which may generate during usage.
- Not to take it as blower.
- Do not block air inlet or outlet, which could lead to cordless heat gun extremely hot and damaged.
- Not to have cordless heat gun towards anybody.
- Not to touch metal air ventilation which may have extremely high temperature, it will remain in high temperature after turning off machine within 30 min.
- Not to have cordless heat gun which under using or after usage immediately close to any object.
- Not to have any object drop into the nozzle cause electric shock, when the machine under usage, it will cause high temperature, not to look down the nozzle.

### WARNING

Extreme care should be taken when stripping paint. The peelings, residue and vapors of paint may contain lead, which is poisonous. Any pre-1977 paint may contain lead and paint applied to homes prior to 1950 is likely to contain lead. Once deposited on surfaces, hand to mouth contact can result in the ingestion of lead. Exposure to even low levels of lead can cause irreversible brain and nervous system damage; young and unborn children are particularly vulnerable.

Before beginning any paint removal process you should determine whether the paint you are removing contains lead. This can be done by your local health department or by a professional who uses a paint analyzer to check the lead content of the paint to be removed. **LEAD-BASED PAINT SHOULD ONLY BE REMOVED BY A PROFESSIONAL AND SHOULD NOT BE REMOVED USING A HEAT GUN.**

Persons removing paint should follow these guidelines:

1. Move the work piece outdoors. If this is not possible, keep the work area well ventilated. Open the windows and put an exhaust fan in one of them. Be sure the fan is moving the air from inside to outside.
2. Remove or cover any carpets, rugs, furniture, clothing, cooking utensils and air ducts.
3. Place drop cloths in the work area to catch any paint chips or peelings. Wear protective clothing such as extra work shirts, overalls and hats.
4. Work in one room at a time. Furnishings should be removed or placed in the center of the room and covered. Work areas should be sealed off from the rest of the dwelling by sealing doorways with drop cloths.
5. Children, pregnant or potentially pregnant women and nursing mothers should not be present in the work area until the work is done and all clean up is complete.

6. Wear a dust respirator mask or a dual filter (dust and fume) respirator mask which has been approved by the Occupational Safety and Health Administration (OSHA), the National Institute of Safety and Health (NIOSH), or the United States Bureau of Mines. These masks and replaceable filters are readily available at major hardware stores. Be sure the mask fits. Beards and facial hair may keep masks from sealing properly. Change filters often. **DISPOSABLE PAPER MASKS ARE NOT ADEQUATE.**
7. Use caution when operating the heat gun. Keep the heat gun moving as excessive heat will generate fumes which can be inhaled by the operator.
8. Keep food and drink out of the work area. Wash hands, arms and face and rinse mouth before eating or drinking. Do not smoke or chew gum or tobacco in the work area.
9. Clean up all removed paint and dust by wet mopping the floors. Use a wet cloth to clean all walls, sills and any other surface where paint or dust is clinging. **DO NOT SWEEP, DRY DUST OR VACUUM.** Use a high phosphate detergent or trisodium phosphate (TSP) to wash and mop areas.
10. At the end of each work session put the paint chips and debris in a double plastic bag, close it with tape or twist ties and dispose of properly.
11. Remove protective clothing and work shoes in the work area to avoid carrying dust into the rest of the dwelling. Wash work clothes separately. Wipe shoes off with a wet rag that is then washed with the work clothes. Wash hair and body thoroughly with soap and water.

### WARNING

To reduce the risk of fire or electric shock, do not expose this product to rain or moisture. Store indoors. Read instruction manual before using.

### CAUTION

1. Parts of the nozzle supplied are sharp, so use gloves when removing them from the case and when attaching or detaching them.
2. The nozzle, the tip of the nozzle and the material that was heated are extremely hot during and immediately after using the tool, so use gloves and avoid touching them directly.
3. Do not use inside boxes, drawers or other enclosed spaces. Aiming it constantly at a single location may result in the outbreak of smoke or fire.
4. Do not switch the tool on and off repeatedly. Failure to observe this may result in malfunctions.
5. Do not point the heat-air release nozzle downwards immediately after use. Failure to observe this may result in the tool overheating, leading to malfunctions.

6. Make sure that the Heat Gun has cooled completely before storing it away.  
Failure to observe this may result in burns or malformation of the storage case.
7. Do not expose directly your eye to the light by looking into the light.  
If your eye is continuously exposed to the light, your eye will be hurt.

## **SPECIFIC SAFETY RULES AND SYMBOLS**

1. **NEVER operate from an unstable footing, such as when on a ladder or step ladder.**  
Doing so may cause an injury.
2. **Before operation, remove any objects in the area that may cause injury or accident.**
3. **Precautions during transport**
  - Turn off the switch on the body of the machine and remove the battery.
  - Carry the machine by the handle on its body.
  - When transporting it via vehicle, take appropriate steps to prevent it from falling over or being damaged.
4. **NEVER use a Heat gun for applications other than those specified.**  
**NEVER** use a Heat gun for applications other than those specified in the Instruction Manual.
5. **Keep all screws, bolts and covers tightly in place.**  
Keep all screws, bolts, and plates tightly mounted. Check their condition periodically.
6. **Do not use Heat gun if the plastic housing or handle is cracked.**  
Cracks in the Heat gun's housing or handle can lead to electric shock. Such Heat gun should not be used until repaired.
7. **NEVER use a Heat gun which is defective or operating abnormally.**  
If the Heat gun appears to be operating unusually, making strange noises, or otherwise appears defective, stop using it immediately and arrange for repairs by a metabo HPT authorized service center.
8. **Do not wipe plastic parts with solvent.**  
Solvents such as gasoline, thinner benzine, carbon tetrachloride, and alcohol may damage and crack plastic parts. Do not wipe them with such solvents. Wipe plastic parts with a soft cloth lightly dampened with soapy water and dry thoroughly.
9. Definitions for symbols used on this tool  
V ..... volts  
= ..... direct current
10. Do not use the product if the tool or the battery terminals (battery mount) are deformed.  
Installing the battery could cause a short circuit that could result in smoke emission or ignition.

11. Keep the tool's terminals (battery mount) free of swarf and dust.
  - Prior to use, make sure that swarf and dust have not collected in the area of the terminals.
  - During use, try to avoid swarf or dust on the tool from falling on the battery.
  - When suspending operation or after use, do not leave the tool in an area where it may be exposed to falling swarf or dust.  
Doing so could cause a short circuit that could result in smoke emission or ignition.

## **IMPORTANT SAFETY INSTRUCTIONS FOR BATTERY CHARGER**

### **⚠ WARNING**

**Death or serious bodily injury could result from improper or unsafe use of battery chargers. To avoid these risks, follow these basic safety instructions:**

### **READ ALL INSTRUCTIONS**

1. This manual contains important safety and operating instructions for battery charger Model UC18YFSL.
2. Before using battery charger, read all instructions and cautionary markings on (1) battery charger, (2) battery, and (3) product using battery.
3. To reduce risk of injury, charge metabo HPT rechargeable battery models of the multi volt series and the BSL18 series. Other models of batteries may burst causing personal injury and damage.
4. Use of an attachment not recommended or sold by the battery charger manufacturer may result in a risk of fire, electric shock, or injury to persons.
5. To reduce risk of damage to electric plug and cord, pull by plug when disconnecting battery charger.
6. Make sure cord is located so that it will not be stepped on, tripped over, or otherwise subjected to damage or stress.
7. An extension cord should not be used unless absolutely necessary. Use of improper extension cord could result in a risk of fire and electric shock.  
If extension cord must be used make sure:
  - a. That blades of extension cord are the same number, size, and shape as those of plug on battery charger:
  - b. That extension cord is properly wired and in good electrical condition; and
  - c. That wire size is large enough for AC ampere rating of battery charger as specified in Table 1.

Table 1

**RECOMMENDED MINIMUM AWG SIZE FOR  
EXTENSION CORDS FOR BATTERY CHARGERS**

AC Input Rating Amperes*		AWG Size of Cord			
Equal to or greater than	but less than	Length of Cord, Feet (Meter)			
		25 (7.5)	50 (15)	100 (30)	150 (45)
0	2	18	18	18	16
2	3	18	18	16	14
3	4	18	18	16	14

\* If the input rating of a battery charger is given in watts rather than in amperes, the corresponding ampere rating is to be determined by dividing the wattage rating by the voltage rating—for example:

$$\frac{1,250 \text{ watts}}{125 \text{ volts}} = 10 \text{ amperes}$$

8. Do not operate battery charger with damaged cord or plug-replace them immediately.
9. Do not operate battery charger if it has received a sharp blow, been dropped, or otherwise damaged in any way; take it to a qualified serviceman.
10. Do not disassemble battery charger; take it to a qualified serviceman when service or repair is required. Incorrect reassembly may result in a risk of electric shock or fire.
11. To reduce risk of electric shock, unplug charger from receptacle before attempting any maintenance or cleaning. Removing the battery will not reduce this risk.

### **IMPORTANT SAFETY INSTRUCTIONS FOR USE OF THE BATTERY AND BATTERY CHARGER**

You must charge the battery before you can use the power tool. Before using the model UC18YFSL battery charger, be sure to read all instructions and cautionary statements on it, the battery and in this manual.

**REMEMBER: USE ONLY metabo HPT BATTERY MODELS OF THE MULTI VOLT SERIES AND THE BSL18 SERIES. OTHER MODELS OF BATTERIES MAY BURST AND CAUSE INJURY!**

Follow these instructions to avoid the risk of injury:

**⚠ WARNING Improper use of the battery or battery charger can lead to serious injury. To avoid these injuries:**

1. **NEVER** disassemble the battery.
2. **NEVER** incinerate the battery, even if it is damaged or is completely worn out. The battery can explode in a fire.

3. **NEVER** short-circuit the battery.
4. **NEVER** insert any objects into the battery charger's air vents. Electric shock or damage to the battery charger may result.
5. **NEVER** charge outdoors. Keep the battery away from direct sunlight and use only where there is low humidity and good ventilation.
6. **NEVER** charge when the temperature is below 32°F (0°C) or above 104°F (40°C).
7. **NEVER** connect two battery chargers together.
8. **NEVER** insert foreign objects into the hole for the battery or the battery charger.
9. **NEVER** use a booster transformer when charging.
10. **NEVER** use DC power to charge.
11. **NEVER** store the battery or battery charger in places where the temperature may reach or exceed 104°F (40°C) such as inside metal box or car.
12. **NEVER** expose the battery or battery charger to rain or wet conditions.
13. **ALWAYS** operate charger on standard household electrical power (120 volts). Using the charger on any other voltage may overheat and damage the charger.
14. **ALWAYS** wait at least 15 minutes between charges to avoid overheating the charger.
15. **ALWAYS** disconnect the power cord from its receptacle when the charger is not in use.

### **CAUTION ON LITHIUM-ION BATTERY**

To extend the lifetime, the lithium-ion battery equips with the protection function to stop the output. In the cases of 1 to 3 described below, when using this product, even if you are pulling the switch, the motor may stop. This is not the trouble but the result of protection function.

1. When the battery power remaining runs out, the motor stops.  
In such case, charge it up immediately.
2. If the tool is overloaded, the motor may stop. In this case, release the switch of tool and eliminate causes of overloading. After that, you can use it again.
3. If the battery is overheated under overload work, the battery power may stop.  
In this case, stop using the battery and let the battery cool. After that, you can use it again.

Furthermore, please heed the following warning and caution.

## **⚠ WARNING**

In order to prevent any battery leakage, heat generation, smoke emission, explosion and ignition beforehand, please be sure to heed the following precautions.

1. Make sure that swarf and dust do not collect on the battery.
  - During work make sure that swarf and dust do not fall on the battery.
  - Make sure that any swarf and dust falling on the power tool during work do not collect on the battery.
  - Do not store an unused battery in a location exposed to swarf and dust.
  - Before storing a battery, remove any swarf and dust that may adhere to it and do not store it together with metal parts (screws, nails, etc.).
2. Do not pierce battery with a sharp object such as a nail, strike with a hammer, step on, throw or subject the battery to severe physical shock.
3. Do not use an apparently damaged or deformed battery.
4. Do not use the battery for a purpose other than those specified.
5. If the battery charging fails to complete even when a specified recharging time has elapsed, immediately stop further recharging.
6. Do not put or subject the battery to high temperatures or high pressure such as into a microwave oven, dryer, or high pressure container.
7. Keep away from fire immediately when leakage or foul odor are detected.
8. Do not use in a location where strong static electricity generates.
9. If there is battery leakage, foul odor, heat generated, discolored or deformed, or in any way appears abnormal during use, recharging or storage, immediately remove it from the equipment or battery charger, and stop use.
10. Do not immerse the battery or allow any fluids to flow inside. Conductive liquid ingress, such as water, can cause damage resulting in fire or explosion. Store your battery in a cool, dry place, away from combustible and flammable items. Corrosive gas atmospheres must be avoided.

## **⚠ CAUTION**

1. If liquid leaking from the battery gets into your eyes, do not rub your eyes and wash them well with fresh clean water such as tap water and contact a doctor immediately.  
If left untreated, the liquid may cause eye-problems.
2. If liquid leaks onto your skin or clothes, wash well with clean water such as tap water immediately.  
There is a possibility that this can cause skin irritation.

3. If you find rust, foul odor, overheating, discolor, deformation, and/or other irregularities when using the battery for the first time, do not use and return it to your supplier or vendor.

## **⚠ WARNING**

If an electrically conductive foreign object enters the terminals of the lithium ion battery, a short-circuit may occur resulting in the risk of fire. Please observe the following matters when storing the battery.

- **Do not place electrically conductive cuttings, nails, steel wire, copper wire or other wire in the storage case.**
- **Either install the battery in the power tool or store by securely pressing into the battery cover until the ventilation holes are concealed to prevent short-circuits (See Fig. 3).**

## **REGARDING LITHIUM-ION BATTERY TRANSPORTATION**

When transporting a lithium-ion battery, please observe the following precautions.

## **⚠ WARNING**

Notify the transporting company that a package contains a lithium-ion battery, inform the company of its power output and follow the instructions of the transportation company when arranging transport.

- Lithium-ion batteries that exceed a power output of 100 Wh are considered to be in the freight classification of Dangerous Goods and will require special application procedures.
- For transportation abroad, you must comply with international law and the rules and regulations of the destination country.

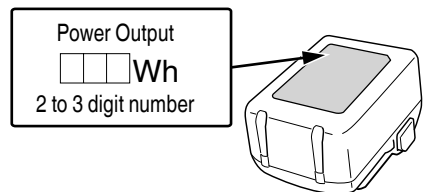


Fig. 1



**SAVE THESE INSTRUCTIONS  
AND  
MAKE THEM AVAILABLE TO OTHER USERS  
AND  
OWNERS OF THIS TOOL!**

# FUNCTIONAL DESCRIPTION

**NOTE**  
The information contained in this Instruction Manual is designed to assist you in the safe operation and maintenance of the power tool.

**NEVER** operate, or attempt any maintenance on the tool unless you have first read and understood all safety instructions contained in this manual.

Some illustrations in this Instruction Manual may show details or attachments that differ from those on your own power tool.

## NAME OF PARTS

1. Cordless Heat Gun

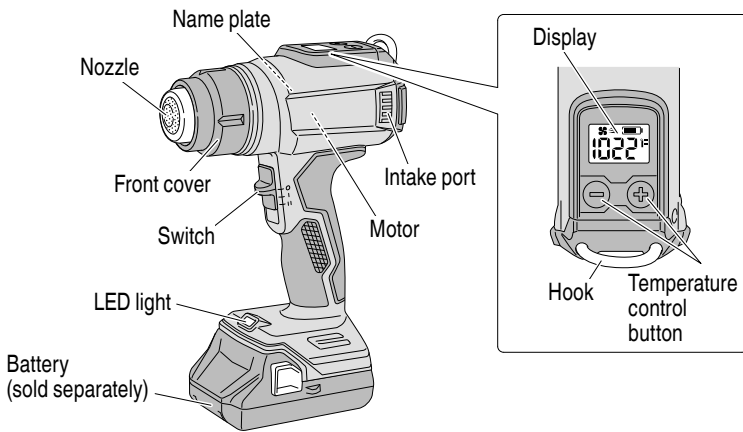
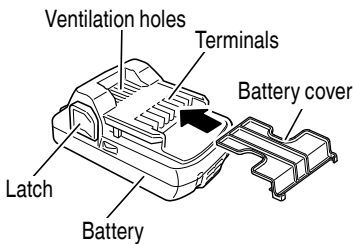


Fig. 2

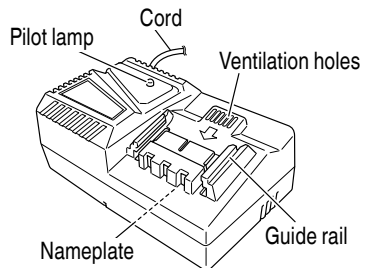
2. Battery (optional accessories...sold separately)



<BSL1830C>

Fig. 3

3. Battery Charger (optional accessories...sold separately)



<UC18YFSL>

Fig. 4

## SPECIFICATIONS

### 1. Cordless Heat Gun

Model		RH18DA
Motor		DC motor
Capacity	Air temperature	set I : 86 – 752°F (30 – 400°C) set II : 86 – 1,022°F (30 – 550°C)
	Air volume	set I : 7.1 CFM (200 L/min) set II : 10.6 CFM (300 L/min)
Battery*	Type	Li-ion battery Model BSL1830C
	Voltage	DC 18 V
Weight		2.2 lbs (1.0 kg) (BSL1830C attached)

\* When using 14.4 V (BSL14xx series), the air volume/temperature and remaining battery indicator do not perform the specified functions.

### 2. Battery Charger

Model	UC18YFSL
Input power source	Single phase: AC 120 V 60 Hz
Charging time (At a temperature of 68°F (20°C))	BSL1830C: Approx. 45 min
Charging voltage	DC 14.4–18 V
Charging current	DC 3.5 A
Weight	1.1 lbs. (0.5 kg)

**NOTE:** The charging time may vary according to temperature and power source voltage.

# ASSEMBLY AND OPERATION

## APPLICATIONS

When observing the safety rules and using the metabo HPT-specified accessories, this Cordless Heat Gun is intended for all applications with hot air that are listed in these operating instruction.

### Applications

- Shrinking of shrink down tubing, solder connectors and solder terminals, packaging and electrical components.
- Deforming of articles made from acrylic, PVC, and polystyrene, tubing, plates and profiles, as well as moist woods.
- Welding of thermoplastic polymer, flooring materials of PVC and linoleum, PVC-coated fabric, tarpaulins and foils.
- Soldering of tin, special silver solder, SMD elements, cable lugs, and for loosening soldered connections.
- Paint removal –Removal of old and even thick coatings of oil paint, varnish and synthetic plaster.
- Drying of colour shade samples, filter, adhesives, construction joints and stucco forms.
- Joining adhesives-Large-surface gluing with contact adhesives, activation of pressure-sensitive adhesives, acceleration of bonding processes, releasing of bonding points as well as releasing or bonding of edge bond or veneer.
- Defrosting of icy stairs and steps, door locks, trunk lids, car doors or water pipes, as well as for defrosting refrigerators and ice boxes.
- Disinfection-With hot air of 1,022°F (550°C), you can quickly rid animal sties/stables of bacteria. Woodworm infestation can be controlled (Caution: Danger of fire! Do not heat up the wooden surface excessively).

## INSTALLING AND REMOVING THE BATTERY

- How to install the battery.  
Align the battery with the groove in tool and slip it into place.  
Always insert it all the way until it locks in place with a little click. If not, it may accidentally fall out of the tool, causing injury to you or someone around you (Fig. 5).
- How to remove the battery.  
Withdraw battery from the tool while pressing the latch (2 pcs) of the battery (Fig. 5).

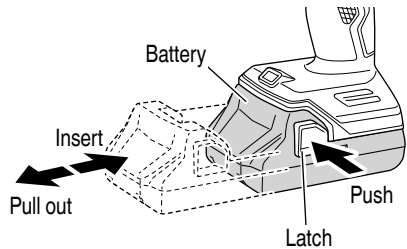


Fig. 5

## CHARGING METHOD

### NOTE

Before plugging into the receptacle, make sure the following points.

- The power source voltage is stated on the nameplate.
- The cord is not damaged.

### ⚠ WARNING

**Do not charge at voltage higher than indicated on the nameplate.  
If charged at voltage higher than indicated on the nameplate, the charger will burn out.**

1. Connect the charger's power cord to a receptacle. When the power cord is connected, the charge indicator lamp will blink in red. (At 1-second intervals)



### ⚠ WARNING

**Do not use the electrical cord if damaged. Have it repaired immediately.**



4. Disconnect battery charger from the receptacle.

## ⚠ CAUTION

**Do not pull the plug out of the receptacle by pulling on the cord.**

**Make sure to grasp the plug when removing from receptacle to avoid damaging cord.**

5. Remove the battery from the battery charger.  
Supporting the battery charger with hand, pull out the battery from the battery charger.

## NOTE

Be sure to pull out the battery from the battery charger after use, and then keep it.

### Regarding electric discharge in case of new batteries, etc.

As the internal chemical substance of new batteries and batteries that have not been used for an extended period is not activated, the electric discharge might be low when using them the first and second time. This is a temporary phenomenon, and normal time required for recharging will be restored by recharging the batteries 2-3 times.

### How to make the batteries perform longer

- (1) Recharge the batteries before they become completely exhausted.  
When you feel that the power of the tool becomes weaker, stop using the tool and recharge its battery. If you continue to use the tool and exhaust the electric current, the battery may be damaged and its life will become shorter.
- (2) Avoid recharging at high temperatures.  
A rechargeable battery will be hot immediately after use. If such a battery is recharged immediately after use, its internal chemical substance will deteriorate, and the battery life will be shortened. Leave the battery and recharge it after it has cooled for a while.

## ⚠ CAUTION

- When the battery charger has been continuously used, the battery charger will be heated, thus constituting the cause of the failures. Once the charging has been completed, give 15 minutes rest until the next charging.

- If the battery is charged while it is heated because it has been left for a long time in a location subject to direct sunlight or because the battery has just been used, the pilot lamp of the charger lights for 1 second, does not light for 0.5 seconds (off for 0.5 seconds).

**The battery will not be recharged. In such a case, let the battery cool before charging.**

- When the pilot lamp flickers (at 0.2-second intervals), check for and take out any foreign objects in the charger's battery connector. If there are no foreign objects, it is probable that the battery or charger is malfunctioning. Take it to your authorized Service Center.

## PRIOR TO OPERATION

### ⚠ CAUTION

**To avoid serious accident, ensure the switch is in the OFF (○) position, and pull out the battery.**

1. Check the work area environment  
Check the work area to make sure that it is clear of debris and clutter.  
Clear the area of unnecessary personnel. Ensure that lighting and ventilation is adequate.
2. Power switch  
Ensure that the switch is in the OFF (○) position.
3. Installing and removing the nozzle

### ⚠ CAUTION

**The nozzle is extremely hot immediately after use, so do not touch it.**

Replace the nozzle according to the job at hand. Insert the nozzle firmly into the front cover until it can go no further. (Fig. 7)

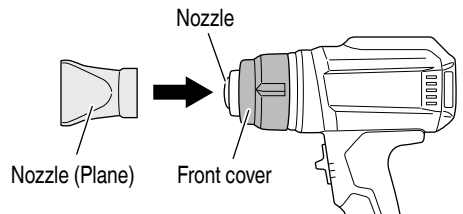


Fig. 7

You can remove the nozzle without touching it by rotating the front cover counterclockwise. (Fig. 8)

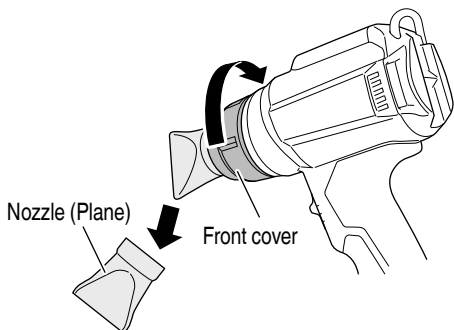


Fig. 8

**NOTE**

- Be careful not to remove the nozzle during work.
- When removing it, be careful not to damage the surroundings or the nozzle.

**CAUTION**

- Before attaching a nozzle, allow the unit to cool down completely or use a suitable tool.
- A hot nozzle can set a surface on fire. Place down hot nozzles only on fireproof surfaces.
- An incorrect or defective nozzle can lead to heat accumulation and damage the unit. Use only metabo HPT-specified nozzles according to the table that are suitable for your unit.

4. Using the Hook (Fig. 9)

**CAUTION**

- If the nozzle is hot, do not hang it for transportation.
- The hook is behind the head. Use by pulling up the top and then rotating the end of the hook.

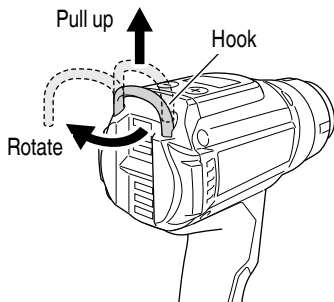


Fig. 9

5. Check battery insertion

**CAUTION**

Until the battery locks in place with a little click, if not, it may accidentally fall out of the tool causing injury to you or someone around you.

**OPERATION****WARNING**

Be sure to turn off the switch, then remove the battery from the tool in the following situations:

- When stopping or ending work
- When attaching or removing a nozzle

**CAUTION**

To extend the lifetime, the lithium-ion battery equips with the protection function to stop the output. Therefore, if the tool is overloaded, the motor may stop. However, this is not the trouble but the result of protection function. In this case, release the switch of tool and eliminate the causes of overloading.

1. Switch Operations and Temperature Adjustments  
Slide the switch down to select from two levels of air volume, [set I] and [set II]. (Fig. 10-a)  
By pressing the temperature control button, you can adjust the set temperature in 8°F (10°C) increments within the range in Table 5 for each set. The set temperature is displayed on the LCD <Display>. (Fig. 10-b)

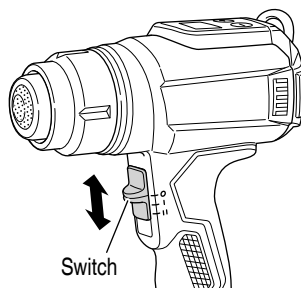


Fig. 10-a

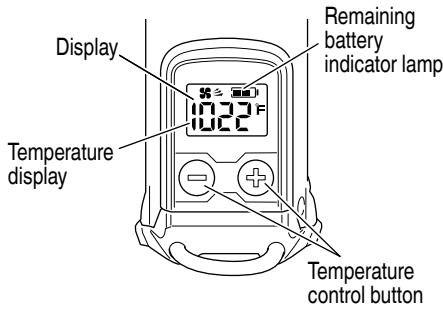


Fig. 10-b

Table 5

	Temperature	Air volume
set I	86 – 752°F (30 – 400°C)	7.1 CFM (200 L/min)
set II	86 – 1,022°F (30 – 550°C)	10.6 CFM (300 L/min)

**NOTE**

- There may be a difference between the displayed temperature and the actual temperature.
  - Press and hold the + and - temperature control buttons at the same time to switch between Fahrenheit (°F) and Celsius (°C).
2. About remaining battery indicator  
The remaining battery level is also displayed on the LCD <Display>.

Table 6

State of lamp	Battery Remaining Power
▣ ▣ ▣ ▣ ▣	Over 70%
▣ ▣ ▣ ▣	55%–70%
▣ ▣ ▣ ▣	35%–55%
▣ ▣ ▣ ▣	20%–35%
▣ ▣ ▣ ▣	Less than 20%

As the remaining battery indicator shows somewhat differently depending on ambient temperature and battery characteristics, read it as a reference.

**NOTE**

- When using a battery with a remaining battery indicator, please refer to the indicator lamp on the battery for the battery remaining power.
  - Do not give a strong shock to the display panel or break it. It may lead to a trouble.
3. How to use the LED light (Fig. 11)  
The LED light will light the area at the tip of the tool when the switch is on.  
The LED light will automatically power off when the switch is OFF.

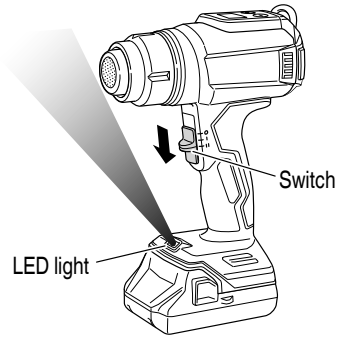


Fig. 11

**CAUTION**

- Do not expose directly your eye to the light by looking into the light.  
If your eye is continuously exposed to the light, your eye will be hurt.
- Wipe off any dirt or grime attached to the lens of the LED light with a soft cloth, being careful not to scratch the lens.  
Scratches on the lens of the LED light can result in decreased brightness.

4. Temperature Settings

**WARNING**

- Do not use the tool in the vicinity of volatile substances (thinner, gasoline, etc.)
- Do not bring the nozzle in close contact with your hands or face during use.  
The nozzle is extremely hot immediately after use, so do not touch it.

Set the temperature in consideration of the article to be heated.  
Also, pay attention to the surrounding material that will be heated at the same time.



First of all, apply the hot air from a distance while checking that there are no changes in the article being heated, and then move it closer until it reaches an appropriate distance.

#### Heating inflammable substances (paper, wood, plastic, etc.)

Set the switch to the [set I] position and apply the heat with the nozzle at least 4" (10 cm) away from the article being heated.

Gently move the tip of the nozzle up, down, left and right to apply the heat.

Applying heat constantly to one location may result in malformation or the outbreak of smoke.

#### Heating non-flammable substances (metal, stone, concrete, etc.)

Set the switch to the [set I] position, and if there are no problems, move it to the [set II] position.

Apply the heat with the nozzle at least 2" (5 cm) away from the article being heated.

Holding the nozzle too close may result in the tool overheating, leading to malfunctions.

#### 5. Work facing up

#### ⚠ CAUTION

- When using the tool facing up, place it on a stable surface.

When working with both hands, such as when bending a pipe, you can lay down the heat gun and use it with the nozzle side facing up.

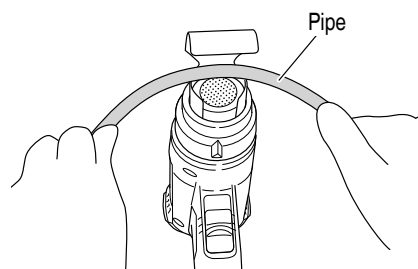


Fig. 12

#### WORK EXAMPLE

#### ⚠ CAUTION

Parts of the nozzles supplied are sharp, so use gloves when removing them from the case and when attaching or detaching them.

Select the nozzle in consideration of the shape of the article being heated and the area being heated.

#### 1. Peeling off paint (Fig. 13)

Use nozzle (plane) or nozzle (round) to soften the paint with the hot air, and then remove it with the scraper.

Note that heating the paint too much may result in it scorching and becoming harder, making it difficult to scrape off.

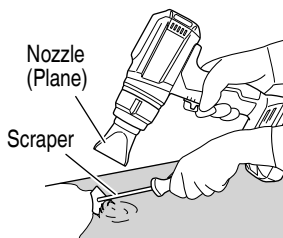


Fig. 13

#### 2. Softening adhesive (Fig. 14)

Use nozzle (plane) or nozzle (round) to soften the surface and make it easy to peel, and then pull up one of the edges, blow heat underneath it and gently peel it off so that none of the adhesive remains.

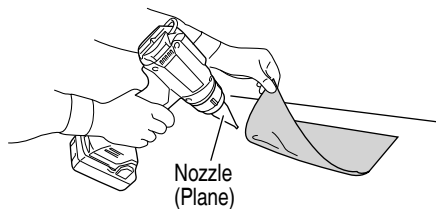


Fig. 14

#### 3. Heat wrapping (Fig. 15)

Use nozzle (plane) to heat-wrap shrink film and tubes. The material will change color or crack if hot air is blown onto it from a close distance, so maintain an appropriate distance while monitoring progress.

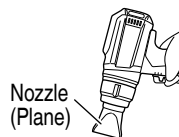


Fig. 15

4. Forming resin pipes (Fig. 16)  
 Use nozzle (curved surface) to evenly heat the circumference of the resin pipe.  
 To prevent the inside of the pipe from narrowing when bending it, etc., pour sand inside, block both ends and then gently bend it.

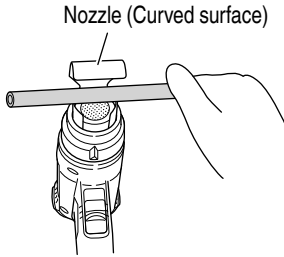


Fig. 16

5. Defrosting water pipes (Fig. 17)  
 Use nozzle (curved surface) to heat the frozen area from the edge to the center. Do not mistake gas pipes for water pipes and heat them.  
 Take care to avoid damaging frozen resin areas on water pipes.

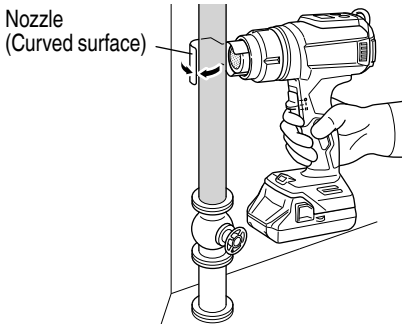


Fig. 17

**WARNING SIGNALS**

This product features functions that are designed to protect the tool itself as well as the battery. If any of the safeguard functions are triggered during work, the LED light and the temperature display will blink for a few seconds as described in Table 7.

When any of the safeguard functions are triggered, immediately switch off and follow the instructions described under corrective action.

Table 7

Safeguard Function	LED light Display	Display	Corrective Action
Overload Protection	On 0.5 sec./ off 0.5 sec.	888	Remove the cause of the overload.
Temperature Protection	■ ■ ■	90°F	Allow the tool and battery to thoroughly cool.

## MAINTENANCE AND INSPECTION

### **⚠ WARNING**

- **Be sure to turn off the switch and pull out the battery before doing any inspection or maintenance.**
- **Inspect and clean the nozzle while it is cool.**

1. Check the Screws  
Loose screws are dangerous. Regularly inspect them and make sure they are tight.

### **⚠ CAUTION**

**Using this power tool with loosened, screws is extremely dangerous.**

2. Check for Dust  
Dust may be removed with a soft cloth or a cloth dampened with soapy water.  
Do not use bleach, chlorine, gasoline or thinner, for they may damage the plastics.  
For safe and efficient working, always keep the unit and its ventilations slots clean.
3. Inspection of terminals (tool and battery)  
Check to make sure that swarf and dust have not collected on the terminals.  
On occasion check prior, during and after operation.

### **⚠ CAUTION**

**Remove any swarf or dust which may have collected on the terminals.  
Failure to do so may result in malfunction.**

4. Disposal of the exhausted battery

### **⚠ WARNING**

**Do not dispose of the exhausted battery. The battery must explode if it is incinerated. The product that you have purchased contains a rechargeable battery. The battery is recyclable. At the end of its useful life, under various state and local laws, it may be illegal to dispose of this battery into the municipal waste stream. Check with your local solid waste officials for details in your area for recycling options or proper disposal.**

5. Storage  
Storing in a place below 104°F (40°C) and out of the reach of children.

### **NOTE**

Storing lithium-ion batteries

Make sure the lithium-ion batteries have been fully charged before storing them.

Prolonged storage (3 months or more) of batteries with a low charge may result in performance deterioration, significantly reducing battery usage time or rendering the batteries incapable of holding a charge.

However, significantly reduced battery usage time may be recovered by repeatedly charging and using the batteries two to five times.

If the battery usage time is extremely short despite repeated charging and use, consider the batteries dead and purchase new batteries.

6. Service and repairs  
All quality power tools will eventually require servicing or replacement of parts because of wear from normal use. To assure that only authorized replacement parts will be used, all service and repairs must be performed by a metabo HPT AUTHORIZED SERVICE CENTER, ONLY.

### **⚠ CAUTION**

**In the operation and maintenance of power tools, the safety regulations and standards prescribed in each country must be observed.**

#### **Important notice on the batteries for the metabo HPT cordless power tools**

Please always use one of our designated genuine batteries. We cannot guarantee the safety and performance of our cordless power tool when used with batteries other than these designated by us, or when the battery is disassembled and modified (such as disassembly and replacement of cells or other internal parts).

## TROUBLESHOOTING GUIDE

### WARNING

- To avoid injury from an accidental start, turn the switch OFF and remove the plug from the power source or remove the battery from the main body before making any adjustments.
- All electrical or mechanical repairs should be done only by qualified service technicians. Contact metabo HPT Authorized Service Center.

#### 1. Power tool

Symptom	Possible cause	Remedy
Tool doesn't run	No remaining battery power	Charge the battery.
	The switch was at a position between I and OFF (O) for a certain amount of time.	Set the switch to the OFF (O) position once before moving it.
White smoke comes out	On first use, the oils in the heat insulating material may vaporize due to heating and produce a small amount of white smoke.	The smoke will stop after a few minutes of continuous use.
Tool suddenly stopped	The battery is overheated.	Let the battery cool down.
Battery cannot be installed	Attempting to install a battery other than that specified for the tool.	Please install batteries that are multi volt or BSL18xx series.

#### 2. Charger

Problem	Possible Cause	Possible Solution
The charge indicator lamp rapidly flickers purple, and battery charging doesn't begin.	The battery is not inserted all the way.	Insert the battery firmly.
	There is foreign matter in the battery terminal or where the battery is attached.	Remove the foreign matter.
The charge indicator lamp blinks red, and battery charging doesn't begin.	The battery is not inserted all the way.	Insert the battery firmly.
	The battery is overheated.	If left alone, the battery will automatically begin charging if its temperature decreases, but this may reduce battery life. It is recommended that the battery be cooled in a well-ventilated location away from direct sunlight before charging it.
Battery usage time is short even though the battery is fully charged.	The battery's life is depleted.	Replace the battery with a new one.
The battery takes a long time to charge.	The temperature of the battery, the charger, or the surrounding environment is extremely low.	Charge the battery indoors or in another warmer environment.
	The charger's vents are blocked, causing its internal components to overheat.	Avoid blocking the vents.
	The cooling fan is not running.	Contact a metabo HPT Authorized Service Center for repairs.

Problem	Possible Cause	Possible Solution
The USB power lamp has switched off and the USB device has stopped charging.	The battery's capacity has become low.	Replace the battery with one that has capacity remaining.
		Plug the charger's power plug into an electric socket.
USB power lamp does not switch off even though the USB device has finished charging.	The USB power lamp lights up green to indicate that USB charging is possible.	This is not a malfunction.
It is unclear what the charging status of a USB device is, or whether its charging is complete.	The USB power lamp does not switch off even when charging is complete.	Examine the USB device that is charging to confirm its charging status.
Charging of a USB device pauses midway.	The charger was plugged into an electrical socket while the USB device was being charged using the battery as the power source.	This is not a malfunction. The charger pauses USB charging for about 5 seconds when it is differentiating between power sources.
	A battery was inserted into the charger while the USB device was being charged using a power socket as the power source.	
Charging of the USB device pauses midway when the battery and the USB device are being charged at the same time.	The battery has become fully charged.	This is not a malfunction. The charger pauses USB charging for about 5 seconds while it checks whether the battery has successfully completed charging.
Charging of the USB device doesn't start when the battery and the USB device are being charged at the same time.	The remaining battery capacity is extremely low.	This is not a malfunction. When the battery capacity reaches a certain level, USB charging automatically begins.

## ACCESSORIES

### **⚠ WARNING**

**ALWAYS** use Only authorized metabo HPT replacement parts and accessories. **NEVER** use replacement parts or accessories which are not intended for use with this tool. Contact metabo HPT if you are not sure whether it is safe to use a particular replacement part or accessory with your tool.

The use of any other attachment or accessory can be dangerous and could cause injury or mechanical damage.

### **NOTE**

Accessories are subject to change without any obligation on the part of the metabo HPT.

---

### **STANDARD ACCESSORIES**

---

(1) Nozzle (round).....	1
(2) Nozzle (plane).....	1
(3) Nozzle (curved surface).....	1

---

### **OPTIONAL ACCESSORIES.....sold separately**

---

- Battery (BSL1830C)
- Battery charger (UC18YFSL)

### **NOTE**

Specifications are subject to change without any obligation on the part of the metabo HPT.

## CONSIGNES DE SÉCURITÉ IMPORTANTES

Lire et comprendre toutes les précautions de sécurité, les avertissements et les instructions de fonctionnement dans ce mode d'emploi avant d'utiliser ou d'entretenir cet outil motorisé.

La plupart des accidents causés lors de l'utilisation ou de l'entretien de l'outil motorisé proviennent d'un non respect des règles ou précautions de base de sécurité. Un accident peut la plupart du temps être évité si l'on reconnaît une situation de danger potentiel avant qu'elle ne se produise, et en observant les procédures de sécurité appropriées.

Les précautions de base de sécurité sont mises en évidence dans la section "SECURITE" de ce mode d'emploi et dans les sections qui contiennent les instructions de fonctionnement et d'entretien.

Les dangers qui doivent être évités pour prévenir des blessures corporelles ou un endommagement de la machine sont identifiés par AVERTISSEMENTS sur l'outil motorisé et dans ce mode d'emploi.

**NE JAMAIS** utiliser cet outil motorisé d'une manière qui n'est pas spécifiquement recommandée par metabo HPT.

## SIGNIFICATION DES MOTS D'AVERTISSEMENT

**AVERTISSEMENT** indique des situations potentiellement dangereuses qui, si elles sont ignorées, pourraient entraîner la mort ou de sérieuses blessures.

**PRECAUTION** indique des situations dangereuses potentielles qui, si elles ne sont pas évitées, peuvent entraîner de mineures et légères blessures ou endommager la machine.

**REMARQUE** met en relief des informations essentielles.

# SÉCURITÉ

## AVERTISSEMENTS DE SÉCURITÉ GÉNÉRAUX CONCERNANT LES OUTILS ÉLECTRIQUES

### ⚠ AVERTISSEMENT

#### **Lire tous les avertissements de sécurité et toutes les instructions**

Tout manquement à observer ces avertissements et instructions peut engendrer des chocs électriques, des incendies et/ou des blessures graves.

#### **Conservez tous les avertissements et toutes les instructions pour vous y référer ultérieurement.**

Le terme "outil électrique", utilisé dans les avertissements, se réfère aux outils électriques (câblé) ou aux outils à piles (sans fil).

- 1) **Sécurité de l'aire de travail**
  - a) **Maintenir l'aire de travail propre et bien éclairée.**  
Les endroits encombrés ou sombres sont propices aux accidents.
  - b) **Ne pas utiliser d'outils électriques en présence de liquides, gaz ou poussière inflammables, au risque de provoquer une explosion.**  
Les outils électriques créent des étincelles susceptibles d'enflammer la poussière.
  - c) **Ne pas laisser les enfants et les visiteurs s'approcher de vous lorsque vous utiliser un outil électrique.**  
Les distractions peuvent faire perdre le contrôle.
- 2) **Sécurité électrique**
  - a) **Les prises de l'outil électrique doivent correspondre à la prise secteur.**  
**Ne jamais modifier la prise.**  
**Ne pas utiliser d'adaptateurs avec les outils électriques mis à la masse.**  
Les prises non modifiées et les prises secteurs correspondantes réduisent les risques de choc électrique.
  - b) **Éviter tout contact avec les surfaces mises à la masse telles que les tuyaux, radiateurs, bandes et réfrigérateurs.**  
Le risque de choc électrique est accru en cas de mise à la masse du corps.
  - c) **Ne pas exposer les outils électriques à la pluie ou à des conditions humides.**  
Si l'eau pénètre dans l'outil, cela augmente les risques de choc électrique.

- d) **Ne pas utiliser le cordon à tort. Ne jamais utiliser le cordon pour transporter ou débrancher l'outil électrique.**  
Maintenir le cordon loin de la chaleur, de l'huile, des bords pointus ou des pièces mobiles.  
Les cordons endommagés ou usés augmentent les risques de choc électrique.
- e) **En cas d'utilisation d'un outil électrique à l'extérieur, utiliser un cordon de rallonge adapté à un usage extérieur.**  
L'utilisation d'un cordon adapté à l'usage extérieur réduit les risques de choc électrique.
- f) **Si vous devez utiliser un outil électrique dans un endroit humide, utilisez une alimentation protégée contre les courants résiduels.**  
L'utilisation d'un dispositif de protection contre les courants résiduels réduit le risque de choc électrique.
- 3) **Sécurité personnelle**
- a) **Restez alerte, regarder ce que vous faites et usez de votre bon sens en utilisant un outil électrique.**  
**Ne pas utiliser d'outil électrique si vous êtes sous l'influence de drogues, d'alcool ou de médicaments.**  
Pendant l'utilisation d'outils électrique, un instant d'inattention peut entraîner des blessures graves.
- b) **Utiliser un équipement de protection individuelle. Toujours porter des verres de protection.**  
L'utilisation d'équipements de protection tels que les masques anti-poussière, les chaussures de sécurité anti-dérapantes, les casques ou les protections auditives dans des conditions appropriées réduisent les risques de blessures.
- c) **Empêcher les démarrages intempestifs. Veiller à ce que l'interrupteur soit en position d'arrêt avant de brancher à une source d'alimentation et/ou une batterie, de ramasser l'outil au sol ou de le transporter.**  
Transporter les outils électriques avec le doigt sur l'interrupteur ou brancher les outils électriques avec l'interrupteur en position de marche peut entraîner des accidents.
- d) **Retirer toute clé de sécurité ou clé avant de mettre l'outil électrique en marche.**  
Laisser une clé ou une clé de sécurité sur une partie mobile de l'outil électrique peut engendrer des blessures.
- e) **Ne pas trop se pencher. Toujours garder une bonne assise et un bon équilibre pendant le travail.**  
Cela permet un meilleur contrôle de l'outil électrique dans des situations imprévisibles.
- f) **Porter des vêtements adéquats. Ne pas porter de vêtements amples ni de bijoux. Maintenir les cheveux, les vêtements et les gants loin des pièces mobiles.**  
Les vêtements amples ou les cheveux longs peuvent se prendre dans les pièces mobiles.
- g) **En cas de dispositifs destinés au raccordement d'installations d'extraction et de recueil de la poussière, veiller à ce qu'ils soient correctement raccordés et utilisés.**  
L'utilisation d'un dispositif de collecte de la poussière peut réduire les dangers associés à la poussière.
- 4) **Utilisation et entretien d'un outil électrique**
- a) **Ne pas forcer sur l'outil électrique. Utiliser l'outil électrique adapté à vos travaux.**  
Le bon outil électrique fera le travail mieux et en toute sécurité au régime pour lequel il a été conçu.
- b) **Ne pas utiliser l'outil électrique si l'interrupteur ne le met pas en position de marche et d'arrêt.**  
Tout outil ne pouvant être contrôlé par l'interrupteur est dangereux et doit être réparé.
- c) **Débrancher la prise ou retirer la batterie avant de procéder à des réglages, au remplacement des accessoires ou au stockage des outils électriques.**  
Ces mesures préventives de sécurité réduisent les risques de démarrage accidentel de l'outil électrique.
- d) **Stockez les outils électriques inutilisés hors de la portée des enfants et ne pas laisser des personnes non familiarisées avec l'outil ou ces instructions utiliser l'outil électrique.**  
Les outils électriques sont dangereux entre les mains d'utilisateurs non habilités.
- e) **Entretien des outils électriques. Vérifier l'absence de mauvais alignement ou d'arrêt, d'endommagement de pièces ou toute autre condition susceptible d'affecter l'opération de l'outil.**  
**Si l'outil est endommagé, le faire réparer avant utilisation.**  
De nombreux accidents sont dus à des outils mal entretenus.
- f) **Maintenir les outils coupants aiguisés et propres.**  
Des outils coupants bien entretenus avec des bords aiguisés sont moins susceptibles de se coincer et plus simples à contrôler.
- g) **Utiliser l'outil électrique, les accessoires et les mèches de l'outil, etc. conformément à ces instructions en tenant compte des conditions d'utilisation et du travail à réaliser.**



L'utilisation de l'outil électrique pour des opérations différentes de celles pour lesquelles il a été conçu est dangereuse.

- 5) **Utilisation et entretien de la batterie**
- N'ouvrez pas la batterie au risque de provoquer un court-circuit.**
  - Protégez la batterie contre l'exposition prolongée au soleil, les températures élevées, les flammes, l'eau et l'humidité pour éviter tout risque d'explosion.**
  - Lorsque la batterie n'est pas utilisée, tenez-la à l'écart d'objets métalliques, comme des trombones, des pièces de monnaie, des clés, des clous, des vis ou tout autre petit objet métallique susceptibles d'établir une connexion entre les bornes. *Un court-circuit entre les bornes de la batterie peut provoquer des brûlures ou un incendie.***
  - En cas d'utilisation dans des conditions extrêmes, du liquide peut être émis de la batterie. Éviter tout contact. En cas de contact accidentel, rincer à l'eau. Si le liquide entre en contact avec les yeux, consulter un médecin. Le liquide émis par la batterie peut entraîner des irritations et des brûlures.**
  - Une batterie endommagée ou utilisée contrairement aux instructions peut générer des vapeurs toxiques. Votre espace de travail doit être suffisamment ventilé. Si vous constatez une gêne respiratoire, consultez un médecin à l'hôpital pour vérifier d'éventuelles lésions sur les voies respiratoires.**
  - Rechargez l'appareil uniquement avec le chargeur recommandé par le fabricant. *Un chargeur adapté à un type de batterie peut causer un incendie s'il est utilisé avec une autre batterie.***
  - Utilisez uniquement votre outil électrique avec la batterie spécifiquement recommandée pour votre outil. *L'utilisation de toute autre batterie présente un risque de blessure, de surcharge et d'incendie.***
  - Les objets à bords tranchants ou pointus, comme les clous ou les tournevis, peuvent endommager la batterie et provoquer un court-circuit interne, un incendie, de la fumée, une explosion ou une surchauffe.**
  - N'incinerez pas ce pistolet à air chaud même s'il est gravement endommagé. La batterie pourrait exploser.**
- 6) **Service**
- Faire entretenir l'outil électrique par un technicien habilité à l'aide de pièces de rechange identiques exclusivement.**  
Cela garantira le maintien de la sécurité de l'outil électrique.

## –AVERTISSEMENT–

**Pour réduire tout risque de blessure, l'utilisateur doit lire le mode d'emploi.**

### AVERTISSEMENT DE SÉCURITÉ CONCERNANT LE PISTOLET À AIR CHAUD SANS FIL

#### AVERTISSEMENT

- N'utilisez pas l'outil avec les mains mouillées.  
Le non-respect de cette précaution peut provoquer des chocs électriques.
- Tenez vos mains et votre visage éloignés de la buse.
- Vérifiez toujours la zone de travail avant utilisation, et n'utilisez pas l'outil si la sécurité n'est pas garantie.  
Le non-respect de cette précaution peut provoquer l'allumage d'articles inflammables cachés dans ou derrière des zones invisibles (dans des armoires, plafonds, sous des planchers, des zones creuses).
- N'utilisez pas l'outil à proximité de substances volatiles (diluants, gasoil, etc.)  
Le non-respect de cette instruction peut provoquer un début d'incendie ou des explosions.
- Lorsque vous travaillez en hauteur, assurez-vous que personne ni aucun matériau inflammable ne se trouvent en dessous.  
Le non-respect de cette précaution peut provoquer des accidents.
- Ne dirigez pas le souffle d'air chaud vers des personnes ou des animaux. Ne vous penchez pas au-dessus de la buse pour regarder à l'intérieur. En aucun cas, le décapeur ne doit être utilisé comme sèche-cheveux.  
Le non-respect de cette instruction peut provoquer des accidents ou une blessure.
- L'émission de gaz hautement toxiques est possible en cas d'utilisation sur du plastique, de la laque ou des matériaux similaires.  
Vérifiez toujours que la zone de travail est parfaitement ventilée et portez un masque de protection contre la poussière.
- Appliquez délicatement la chaleur tout en déplaçant le pistolet à air chaud sans fil vers le haut, le bas, la gauche et la droite.  
En l'utilisant constamment au même point, vous risquez de provoquer un début d'incendie ou l'émission de fumée.
- En cas de chute ou de choc accidentel, vérifiez que l'outil n'est pas endommagé, fendu ou déformé.  
Les détériorations, la présence de fissures et les déformations peuvent entraîner une blessure.

10. Arrêtez immédiatement l'utilisation de l'outil s'il ne fonctionne pas correctement ou si vous remarquez des vibrations ou bruits anormaux.  
Contactez votre revendeur ou un centre de service après-vente metabo HPT agréé afin de faire contrôler et réparer l'outil.  
Vous risquez de vous blesser si vous continuez à l'utiliser.
11. Ne vous éloignez pas de l'appareil pendant qu'il est en marche. Remettez toujours l'interrupteur en position d'arrêt (○) lorsque vous avez fini de travailler. Le non-respect de cette précaution peut provoquer des accidents.

### **Avertissements de sécurité importants : Appareil conçu pour une utilisation en intérieur uniquement**

- a) Les zones cachées comme derrière les murs, les plafonds, les planchers, les panneaux de coffrage et autres panneaux peuvent contenir des matériaux inflammables susceptibles d'être enflammés par le pistolet à air chaud sans fil lorsqu'on travaille dans ces emplacements. L'inflammation de ces matériaux peut ne pas se remarquer d'emblée et pourrait entraîner des dommages matériels et des blessures corporelles.

Lorsque vous travaillez dans ces emplacements, passez le pistolet à air chaud sans fil dans un mouvement de va-et-vient.

Le fait de s'attarder ou de marquer un temps d'arrêt en un point donné peut provoquer l'inflammation du panneau ou du matériau situé derrière celui-ci.

### **b) CONSIGNES DE SÉCURITÉ IMPORTANTES.**

#### **LISEZ CES INSTRUCTIONS**

#### **Instructions de sécurité supplémentaires concernant le pistolet à air chaud sans fil**

- **Ne bloquez pas l'entrée d'air avec vos mains ou de toute autre façon.**
- **Pendant l'utilisation, la buse et les accessoires seront très chauds. Attendez qu'ils refroidissent complètement avant de les toucher.**
- **Débranchez l'outil avant de le poser.**
- **Ne laissez pas l'outil sans surveillance lorsqu'il est en fonctionnement.**
- **La mise en marche involontaire d'un pistolet à air chaud peut provoquer un incendie.**
- **N'utilisez pas le pistolet à air chaud sans fil dans des endroits humides, inflammables ou explosifs.**
- **Attendez que votre pistolet à air chaud sans fil ait complètement refroidi avant de le ranger.**
- **Ventilez suffisamment votre zone de travail pour dissiper les fumées toxiques générées lors de l'utilisation.**
- **Ne l'utilisez pas en guise de souffleur.**

- **Ne bloquez pas l'entrée et la sortie d'air au risque de créer une surchauffe du pistolet à air chaud sans fil et de l'endommager.**
- **Ne dirigez pas le pistolet à air chaud vers une personne.**
- **La grille de ventilation peut rester extrêmement chaude jusqu'à 30 minutes après avoir éteint l'outil. Attendez qu'elle refroidisse avant de la toucher.**
- **Ne placez pas le pistolet à air chaud sans fil près d'un objet pendant ou immédiatement après l'utilisation.**
- **Ne faites rien tomber sur la buse pour éviter tout choc électrique. L'outil deviendra chaud lorsqu'il est utilisé. Ne dirigez pas la buse vers vos yeux.**

### **⚠ AVERTISSEMENT**

**Redoublez de précaution lors du décapage de la peinture. Les écailles, les résidus et les vapeurs de peinture peuvent contenir du plomb, lequel est toxique. Toute peinture datant d'avant 1977 peut contenir du plomb et la peinture appliquée avant 1950 dans les maisons d'habitation contient certainement du plomb. Une fois que le plomb s'est déposé sur les surfaces, il est possible d'en ingérer en portant la main à la bouche. L'exposition à une quantité même minime de plomb peut entraîner des lésions cérébrales et dommages du système nerveux irréversibles auxquels les enfants en bas âge et les bébés à naître sont particulièrement vulnérables.**

Avant de commencer toute opération de décapage de peinture, il faut déterminer si la peinture que vous allez enlever contient du plomb. Vous pouvez confier cette tâche à votre service de santé local ou à un spécialiste qui utilise un analyseur de peinture pour vérifier le contenu en plomb de la peinture à enlever. **LA PEINTURE À BASE DE PLOMB DOIT ÊTRE ENLEVÉE UNIQUEMENT PAR UN PROFESSIONNEL ET NE DOIT PAS ÊTRE ENLEVÉE AU PISTOLET À AIR CHAUD SANS FIL.**

Toute personne décapant de la peinture doit suivre les recommandations suivantes :

1. Déplacez la pièce à décaper à l'extérieur. Si cela est impossible, aérez constamment la zone de travail. Ouvrez les fenêtres et placez un ventilateur d'extraction sur l'une d'entre elles. Assurez-vous que le ventilateur déplace l'air de l'intérieur vers l'extérieur.
2. Enlevez ou couvrez les moquettes, tapis, meubles, vêtements, ustensiles de cuisine et conduites d'air.
3. Étendez des bâches sur la zone de travail afin de recueillir tout éclat ou écaille de peinture. Portez des vêtements de protection, comme des chemises de travail supplémentaires, combinaisons et casquettes.

4. Travaillez dans une pièce à la fois. Mieux vaut enlever les meubles ou les placer au centre de la pièce et les recouvrir. Les zones de travail doivent être coupées du reste du logement par des bâches pendues sur les portes.
5. Aucun enfant, aucune femme enceinte ou potentiellement enceinte et aucune femme allaitant ne doivent se trouver dans la zone de travail tant que le travail n'est pas fini et tout le nettoyage terminé.
6. Portez un masque respiratoire protecteur ou un masque respiratoire à filtre à double protection (poussières et vapeurs) homologué par l'OSHA (Occupational Safety and Health Administration), le NIOSH (National Institute of Safety and Health) ou le Bureau of Mines américain.  
Ces masques et filtres remplaçables s'obtiennent facilement dans les grandes quincailleries. Assurez-vous que le masque est à votre taille. La barbe et les poils du visage peuvent empêcher la bonne adhésion du masque.  
Remplacez souvent les filtres. **LES MASQUES JETABLES EN PAPIER NE SONT PAS SUFFISANTS.**
7. Utilisez le pistolet à air chaud sans fil avec précaution. Le pistolet à air chaud sans fil doit toujours être en mouvement, car une chaleur excessive dégagera des vapeurs que l'opérateur pourrait respirer.
8. Éloignez la nourriture et les boissons de la zone de travail. Lavez-vous les mains, les bras et le visage, et rincez-vous la bouche avant de boire ou de manger. Ne fumez pas, ne mâchez pas de gomme, ni ne chiquez du tabac dans la zone de travail.
9. Nettoyez toute la peinture décapée et la poussière en passant la vadrouille humide sur le sol. Utilisez un chiffon humide pour nettoyer tous les murs, rebords et autre surface où la peinture ou la poussière se sont déposées. **NE BALAYEZ PAS, N'ÉPOUSSEZ PAS À SEC, NI NE PASSEZ L'ASPIRATEUR.** Utilisez un détergent riche en phosphate ou en phosphate de sodium pour laver et passer la vadrouille sur les surfaces.
10. À la fin de chaque séance de travail, mettez les éclats de peinture et les débris dans un sac en plastique double que vous fermerez avec un ruban adhésif ou un lien torsadé et jetterez de façon adéquate.
11. Retirez les vêtements de protection et chaussures de travail sur le lieu de travail et évitez de transporter la poussière dans le reste du logement. Lavez les vêtements de travail séparément.  
Essayez les chaussures avec un chiffon humide que vous laverez avec les vêtements de travail.  
Lavez-vous bien les cheveux et le corps avec de l'eau et du savon.

## ⚠ AVERTISSEMENT

**Pour réduire le risque d'incendie ou de décharge électrique, n'exposez pas ce produit à la pluie ou l'humidité. Rangez-le à l'intérieur. Lisez le mode d'emploi avant utilisation.**

## ⚠ PRECAUTION

1. Les pièces composant la buse ayant des rebords tranchants, enfillez des gants pour les retirer du boîtier ainsi que pour les monter/démonter.
2. La buse, la pointe de la buse et le matériel qui a été chauffé sont extrêmement chauds pendant et immédiatement après l'utilisation de l'outil.  
Il est donc important de porter des gants et d'éviter de les toucher directement.
3. Ne pas l'utiliser à l'intérieur de boîtes, de tiroirs ou d'espaces confinés.  
En l'utilisant constamment au même point, cela peut déclencher un début d'incendie ou l'émission de fumée.
4. L'outil ne doit pas être mis sous tension et hors tension de manière répétée.  
Le non-respect de cette précaution peut entraîner des dysfonctionnements.
5. Ne dirigez pas la buse soufflant l'air chaud vers le bas juste après l'avoir utilisée.  
Le non-respect de cette précaution peut entraîner des surchauffes menant à des dysfonctionnements.
6. Vérifiez que le pistolet à air chaud sans fil a suffisamment refroidi avant de le ranger.  
Le non-respect de cette instruction peut provoquer des brûlures ou une déformation du boîtier de rangement.
7. N'exposez pas vos yeux directement à la lampe en la regardant.  
Une exposition continue de vos yeux à la lampe pourrait les blesser.

## REGLES DE SECURITE SPECIFIQUES ET SYMBOLES

1. **N'utilisez jamais l'appareil si vos pieds ne sont pas stables sur le sol, par exemple lorsque vous trouvez sur une échelle ou un escabeau.**  
Vous risqueriez de vous blesser ou de blesser un tiers.
2. **Avant utilisation, retirer tout objet se trouvant dans la zone qui pourrait provoquer des blessures ou un accident.**
3. **Précautions pendant le transport.**
  - **Mettez l'interrupteur en position d'arrêt et retirez la batterie.**
  - **Tenez la machine par sa poignée pour la transporter.**

- **Lorsque la machine est transportée à l'intérieur d'un véhicule, prenez des mesures adaptées pour éviter qu'elle ne chute et ne soit ainsi détériorée.**
  - 4. **Utilisez un pistolet à air chaud UNIQUEMENT aux fins pour lesquelles il est prévu.**  
N'utilisez JAMAIS le pistolet à air chaud pour un autre usage que celui pour lequel il est prévu dans le présent mode d'emploi.
  - 5. **Maintenir toutes les vis, tous les boulons et les couvercles fermement en place.**  
Maintenir toutes les vis, tous les boulons et les couvercles fermement montés. Vérifier leurs conditions périodiquement.
  - 6. **N'utilisez pas un pistolet à air chaud si le boîtier en plastique ou la poignée sont fissurés.**  
Des fissures dans le boîtier ou la poignée du pistolet à air chaud peuvent entraîner une électrocution. N'utilisez pas un pistolet à air chaud endommagé avant de le faire réparer.
  - 7. **N'utilisez JAMAIS un pistolet à air chaud s'il présente un défaut ou fonctionne de manière anormale.**  
Si le pistolet à air chaud semble fonctionner de manière inhabituelle, émet des bruits étranges ou semble défectueux, cessez immédiatement de l'utiliser et faites-le réparer par un centre de service après-vente metabo HPT.
  - 8. **Ne pas essuyer les parties en plastique avec du solvant.**  
Les solvants comme l'essence, les diluants, la benzine, le tétrachlorure de carbone et l'alcool peuvent endommager et fissurer les parties en plastique. Ne pas les essuyer avec de tels solvants. Essuyer les parties en plastique avec un chiffon doux légèrement imbibé d'une solution d'eau savonneuse et sécher minutieusement.
  - 9. Définitions pour les symboles utilisés sur cet outil  
V ..... volts  
= ..... courant continu
  - 10. N'utilisez pas le produit si l'outil ou les bornes de la batterie (fixation de la batterie) sont déformés.  
Installer la batterie peut entraîner un court-circuit qui pourrait provoquer des émissions de fumée ou une ignition.
  - 11. Gardez les bornes de l'outil (fixation de la batterie) exempts de copeaux et de poussière.
- Avant toute utilisation, assurez-vous qu'aucun copeau ou poussière ne s'est accumulé sur la zone des bornes.
  - Pendant l'utilisation, essayez d'éviter que des copeaux ou de la poussière provenant de l'outil ne tombent sur la batterie.

- Lors de la suspension de l'opération ou après l'utilisation, ne laissez pas l'outil dans un endroit où il pourrait être exposé à des copeaux ou de la poussière.  
Le non-respect de cette consigne peut entraîner un court-circuit qui pourrait provoquer des émissions de fumée ou une ignition.

---

## CONSIGNES DE SÉCURITÉ IMPORTANTES POUR LE CHARGEUR DE BATTERIE

---

### AVERTISSEMENT

**Une utilisation incorrecte ou dangereuse des chargeurs de batterie peut entraîner la mort ou des blessures graves.**

### LIRE TOUT CE MODE D'EMPLOI

1. Ce manuel renferme des consignes de sécurité et d'utilisation importantes pour le chargeur de batterie modèle UC18YFSL.
2. Avant d'utiliser le chargeur de batterie, lire toutes les étiquettes d'instruction et de précaution apposées sur (1) le chargeur de batterie, (2) la batterie, et (3) le produit utilisant la batterie.
3. Pour réduire les risques de blessures, charger les modèles de batteries rechargeables metabo HPT de la série Multi Volt et de la série BSL18. Les autres modèles de batterie pourraient exploser et provoquer des blessures ou des dommages.
4. L'utilisation d'un accessoire non recommandé ou non vendu par le fabricant du chargeur de batterie risque de provoquer un feu, une décharge électrique ou des blessures.
5. Pour réduire tout risque de dommage de la fiche et du cordon électrique, débrancher le cordon du chargeur en tirant sur la fiche.
6. Vérifier que le cordon est placé de façon que personne ne puisse marcher dessus, se prendre les pieds dedans, ni l'endommager ou le soumettre à des contraintes.
7. Ne pas utiliser de cordon de rallonge si cela n'est pas absolument nécessaire. L'utilisation d'un cordon de rallonge incorrect pourrait entraîner un feu ou une décharge électrique. Si l'on doit utiliser un cordon de rallonge, s'assurer que:
  - a. Les broches de la rallonge ont les mêmes numéro, taille et forme que celles de la fiche du chargeur ;
  - b. Le cordon de rallonge est correctement raccordé et en bon état électrique ;
  - c. Le calibre du fil doit être au moins suffisant pour l'intensité nominale CA (ampères) du chargeur de batterie spécifiées dans le Tableau 1.

Tableau 1

**CALIBRE MINIMUM RECOMMANDÉ POUR LES CORDONS DE RALLONGE  
DES CHARGEURS DE BATTERIE**

Intensité nominale d'entrée CA (ampères)*		Calibre du cordon			
Egal ou supérieur à	mais non inférieur à	Longueur de cordon en pieds (mètres)			
		25 (7,5)	50 (15)	100 (30)	150 (45)
0	2	18	18	18	16
2	3	18	18	16	14
3	4	18	18	16	14

\* Si l'intensité nominale d'entrée du chargeur de batterie est donnée en watts et non en ampères, calculer la capacité en ampères correspondante en divisant la capacité en ampères par la capacité de tension, par exemple:

$$\frac{1250 \text{ watts}}{125 \text{ volts}} = 10 \text{ ampères}$$

8. Ne pas utiliser le chargeur si son cordon ou sa fiche sont endommagés - Le remplacer immédiatement.
9. Ne pas utiliser le chargeur s'il a reçu un coup, s'il est tombé ou endommagé de toute autre manière. L'apporter à un réparateur qualifié.
10. Ne pas démonter le chargeur ni le produit qui reçoit la batterie ; si un entretien ou des réparations sont nécessaires, les apporter à un réparateur qualifié. Un remontage incorrect pourrait provoquer une décharge électrique ou un feu.
11. Pour réduire tout risque de décharge électrique, débrancher le chargeur de la prise secteur avant tout entretien ou nettoyage. Il ne suffit pas de sortir la batterie.

**CONSIGNES DE SÉCURITÉ  
IMPORTANTES POUR L'UTILISATION  
DE LA BATTERIE ET DU CHARGEUR DE  
BATTERIE**

Pour pouvoir utiliser la scie circulaire à batterie, il faudra recharger la batterie. Avant d'utiliser le chargeur de batterie modèle UC18YFSL, bien lire attentivement toutes les consignes et les avertissements signalés sur le chargeur, sur la batterie ou dans ce manuel.

**BIEN NOTER : UTILISER EXCLUSIVEMENT DES MODÈLES DE BATTERIE metabo HPT DE LA SÉRIE MULTI VOLT OU BSL18. LES AUTRES MODÈLES DE BATTERIE POURRAIENT EXPLOSER OU PROVOQUER DES BLESSURES!**

Pour éviter tout risque de blessure, observer les consignes suivantes:

**⚠ AVERTISSEMENT**

**Une utilisation incorrecte de la batterie ou du chargeur de batterie risque de provoquer des blessures. Pour éviter tout risque de blessure:**

1. **NE JAMAIS** démonter la batterie.
2. **NE JAMAIS** jeter la batterie au feu, même si elle est endommagée ou complètement usée. La batterie risque d'exploser au feu.
3. **NE JAMAIS** court-circuiter la batterie.
4. **NE JAMAIS** insérer d'objets dans les orifices d'aération du chargeur. Il pourrait en résulter un choc électrique ou des dommages du chargeur.
5. **NE JAMAIS** effectuer la recharge à l'extérieur. Eloigner la batterie des rayons directs du soleil et utiliser exclusivement dans des endroits à faible humidité et bien aérés.
6. **NE JAMAIS** effectuer la recharge si la température est inférieure à 32°F (0°C) ou supérieure à 104°F (40°C).
7. **NE JAMAIS** raccorder deux chargeurs de batterie ensemble.
8. **NE JAMAIS** insérer de corps étrangers dans l'orifice de la batterie ou du chargeur de batterie.
9. **NE JAMAIS** utiliser de transformateur-élévateur pour la recharge.
10. **NE JAMAIS** utiliser l'alimentation CC pour charger.
11. **NE JAMAIS** ranger la batterie ou le chargeur de batterie dans un endroit où la température peut atteindre ou dépasser 104°F (40°C), comme à l'intérieur d'une boîte métallique ou d'une voiture.
12. **NE JAMAIS** exposer la batterie ou le chargeur de batterie à la pluie ou l'humidité.
13. **TOUJOURS** alimenter le chargeur sur une prise secteur domestique standard (120 volts). L'utilisation du chargeur à une autre tension peut entraîner une surchauffe et endommager le chargeur.
14. **TOUJOURS** attendre au moins 15 minutes entre deux recharges pour éviter toute surchauffe du chargeur.
15. **TOUJOURS** débrancher le cordon d'alimentation de la prise secteur lorsqu'on ne se sert pas du chargeur.

## PRÉCAUTIONS RELATIVES A LA BATTERIE AU LITHIUM ION

Pour prolonger sa durée de vie, la batterie lithium-ion est équipée d'une fonction de protection qui coupe automatiquement l'alimentation.

Dans les cas 1 à 3 décrits ci-dessous, il est possible que le moteur s'arrête lorsque vous utilisez ce produit, même si vous actionnez le commutateur. Il ne s'agit pas d'un dysfonctionnement, mais du fonctionnement normal de la protection.

1. Lorsque la charge restante de la batterie diminue, le moteur s'arrête.  
Dans ce cas de figure, chargez immédiatement la batterie.
2. En cas de surcharge de l'outil, actionnez le commutateur de l'outil et éliminez les causes de la surcharge. Vous pouvez ensuite recommencer à utiliser l'outil.
3. En cas de surchauffe due à un travail trop intensif, l'alimentation de la batterie peut se couper.  
Dans ce cas, arrêtez toute utilisation de la batterie et laissez-la refroidir. Vous pouvez ensuite recommencer à l'utiliser.

En outre, respectez la précaution et l'avertissement suivants.

## ⚠ AVERTISSEMENT

Afin d'éviter toute fuite de la batterie, génération de chaleur, émission de fumée, explosion et inflammation, respectez scrupuleusement les précautions suivantes :

1. Assurez-vous que les copeaux et la poussière ne s'accumulent pas sur la batterie.
  - Lorsque vous travaillez, assurez-vous que les copeaux et la poussière ne tombent pas sur la batterie.
  - Assurez-vous que les copeaux et la poussière qui tombent sur l'outil lorsque vous travaillez ne s'accumulent pas sur la batterie.
  - Ne conservez pas une batterie inutilisée dans un endroit qui est exposé aux copeaux et à la poussière.
  - Avant de stocker une batterie, retirez tous les copeaux et la poussière qui ont pu y adhérer et ne la conservez pas avec des pièces métalliques (vis, clous, etc.).
2. Ne percez pas la batterie à l'aide d'un objet pointu tel qu'un clou. Ne la frappez pas à l'aide d'un marteau. Ne marchez pas dessus, ne la lancez pas et ne la soumettez pas un à choc physique important.
3. N'utilisez pas une batterie dont l'extérieur est déformé ou laissez penser qu'elle est défectueuse.
4. N'utilisez pas la batterie à d'autres fins que celle spécifiée.
5. En cas d'échec du chargement d'une batterie, même après un certain délai, arrêtez immédiatement le chargement.
6. N'exposez pas la batterie à des températures ou à une pression élevées (four à micro-ondes, séchoir, conteneur sous haute pression).

7. Maintenez à la batterie à l'écart de toute flamme en cas de détection d'une fuite ou d'une mauvaise odeur.
8. Ne pas utiliser à proximité d'une source puissante d'électricité statique.
9. En cas de fuite de la batterie, de mauvaise odeur, de génération de chaleur, de décoloration, de déformation ou d'anomalie en cours d'utilisation, de rechargement ou d'entreposage, ôtez immédiatement la batterie de l'équipement ou du chargeur de batterie et ne l'utilisez plus.
10. Ne plongez jamais la batterie dans de l'eau ou tout autre liquide, et ne laissez aucun liquide s'infiltrer à l'intérieur de la batterie. L'entrée de liquides conducteurs, tel que de l'eau, peut causer des dommages pouvant entraîner un incendie ou une explosion. Rangez votre batterie dans un endroit frais et sec, à l'écart d'objets combustibles et inflammables. Les atmosphères corrosives doivent être évitées.

## ⚠ PRECAUTION

1. En cas de projection dans les yeux de liquide ayant fuit de la batterie, ne vous frottez pas les yeux, rincez-les à l'eau claire et contactez immédiatement un médecin. En l'absence de traitement, le liquide peut détériorer l'œil.
2. En cas de projection de liquide ayant fuit de la batterie sur votre peau ou vos vêtements, rincez immédiatement ces derniers à l'eau claire (au robinet). Le liquide peut provoquer une irritation de la peau.
3. En cas de détection de rouille, de mauvaise odeur, de surchauffe, de décoloration, de déformation et/ou autres anomalies lors de la première utilisation de la batterie, n'utilisez pas cette dernière et renvoyez-la au fournisseur ou au fabricant.

## ⚠ AVERTISSEMENT

Un court-circuit risque de se produire et causer un incendie, si un corps étranger conducteur d'électricité passe dans les bornes de la pile au lithium-ion. Veuillez respecter les consignes suivantes pour le rangement de la pile.

- **Ne pas mettre d'objet conducteur d'électricité, tels que clous, fil d'acier, de cuivre ou autre fil dans la mallette de rangement.**
- **Soit ranger le bloc de pile avec l'outil électrique ou de manière sécuritaire en l'enfonçant dans le couvercle jusqu'à ce que les orifices de ventilation soient dissimulés afin d'éviter les courts-circuits. (Voir la Fig. 3)**

## À PROPOS DU TRANSPORT DE LA BATTERIE LITHIUM-ION

Lors du transport d'une batterie lithium-ion, veuillez observer les précautions suivantes.

### ⚠ AVERTISSEMENT

Informez la société de transport qu'un paquet contient une batterie lithium-ion, informez la société de sa puissance de sortie et suivez les instructions de la société de transport lors de l'organisation du transport.

- Les batteries lithium-ion qui dépassent une puissance de sortie de 100 Wh font partie de la classification de transport des produits dangereux et nécessitent l'application de procédures spéciales.

- Pour un transport vers l'étranger, vous devez vous conformer aux lois internationales et aux normes et réglementations en vigueur dans le pays de destination.

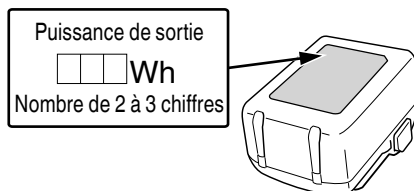


Fig. 1

**CONSERVER CES INSTRUCTIONS  
ET  
LES METTRE A LA DISPOSITION DES AUTRES  
UTILISATEURS  
ET  
PROPRIETAIRES DE CET OUTIL!**

## DESCRIPTION FONCTIONNELLE

### REMARQUE

Les informations contenues dans ce mode d'emploi sont conçues pour assister l'utilisateur dans une utilisation sans danger et un entretien de l'outil motorisé.

**NE JAMAIS** utiliser ni entreprendre une révision de l'outil sans avoir d'abord lu et compris toutes les instructions de sécurité contenues dans ce manuel.

Certaines illustrations dans ce mode d'emploi peuvent montrer des détails ou des accessoires différents de ceux de l'outil motorisé utilisé.

### NOM DES PARTIES

1. Pistolet à air chaud sans fil

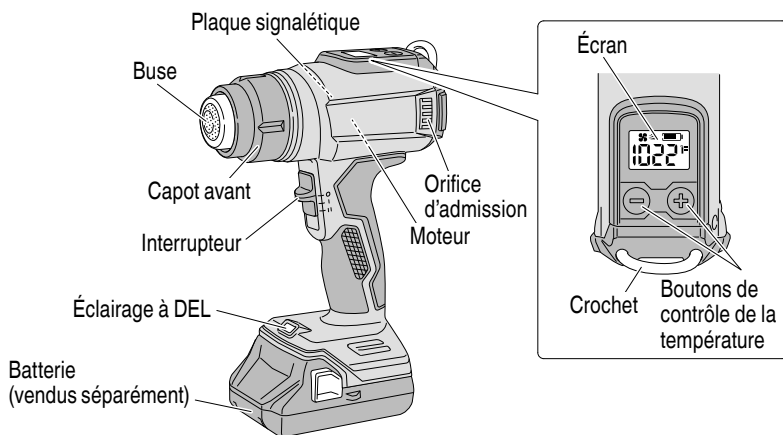
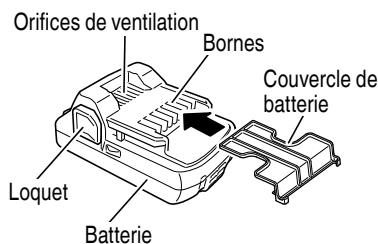


Fig. 2

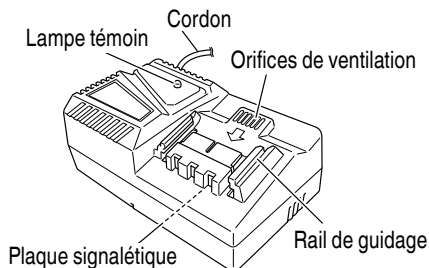
2. Batterie (accessoires en option...vendus séparément)



<BSL1830C>

Fig. 3

3. Chargeur de batterie (accessoires en option...vendus séparément)



<UC18YFSL>

Fig. 4



## SPECIFICATIONS

### 1. Pistolet à air chaud sans fil

Modèle		RH18DA
Moteur		CC moteur
Capacité	Température de l'air	Réglage I : 86–752°F (30–400°C) Réglage II : 86–1 022°F (30–550°C)
	Volume d'air	Réglage I : 7,1 pi <sup>3</sup> /min (200 L/min) Réglage II : 10,6 pi <sup>3</sup> /min (300 L/min)
Batterie*	Type	Batterie au Li-ion modèle BSL1830C
	Tension	CC 18V
Poids (sans fil)		2,2 lbs (1,0 kg) (BSL1830C attaché)

\* Lors de l'utilisation de l'alimentation à 14,4 V (série BSL14xx), l'indicateur de température/volume de l'air et de batterie ne fonctionne pas comme prévu.

### 2. Chargeur de batterie

Modèle	UC18YFSL
Source d'alimentation d'entrée	Monophasée: CA 120 V 60 Hz
Durée de recharge (à une température de 68°F (20°C))	BSL1830C: Env. 45 min
Tension de charge	CC 14,4 V–18 V
Courant de charge	CC 3,5 A
Poids	1,1 lbs. (0,5 kg)

**REMARQUE:** La durée de recharge peut varier en fonction de la température et de la tension de la source d'alimentation.

## ASSEMBLAGE ET FONCTIONNEMENT

### APPLICATIONS

Conformément aux consignes de sécurité, utilisez uniquement ce pistolet à air chaud sans fil avec les accessoires recommandés par HPT metabo pour toutes les utilisations avec air chaud figurant dans ce mode d'emploi.

#### Utilisations

- Retrait de gaines thermorétractables, de joints et raccord brasés, d'emballages et de composants électriques.
- Formage d'objets en acrylique, en PVC et en polystyrène, tuyaux, plaques et profilés ainsi que bois humides.
- Soudage de matières synthétiques thermoplastiques, de revêtements de sol en PVC ou en linoléum, de tissus, bâches ou feuilles revêtus de PVC.
- Brasage d'étain, d'argent d'apport spécial, de composants électroniques CMS, de cosses de câble ainsi que l'élimination de jonctions par brasage.
- Décapage – retrait des vieilles couches de peintures à huile, de vernis et d'enduit en matière synthétique, même épaisses.
- Séchage d'essais de peinture, filtres, colles, joints de construction et stucs divers.
- Collage – collage grande surface avec des adhésifs de contact, activation d'adhésifs autocollants, accélération des processus de collage, élimination des points de collage, ainsi que décollage ou collage d'arêtes ou de placage.
- Dégel des marches d'escalier verglacées, des serrures de portes, capots de coffres de voitures, portes de voitures ou conduites d'eau gelés, et décongélation des réfrigérateurs ou des bacs à glace.
- Désinfection – avec de l'air chaud à 1 022°F (550°C), les étales/écuries peuvent être rapidement désinfectées. Il est possible aussi de traiter les bois vermoulus. (Attention : risque d'incendie! Ne chauffez pas trop les surfaces en bois.).

### INSTALLATION ET RETRAIT DE LA BATTERIE

- Installation de la batterie.  
Aligner la batterie sur la rainure dans l'outil et la faire glisser en place.  
Toujours insérer la batterie à fond, jusqu'à ce qu'elle se bloque avec un petit déclic. Sinon, elle risque de tomber accidentellement de l'outil et de blesser l'opérateur ou d'autres personnes alentour (Fig. 5).

- Retrait de la batterie.  
Retirer la batterie de l'outil tout en appuyant sur le loquet (2 pièces) de la batterie (Fig. 5).

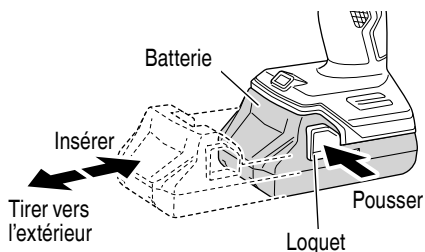


Fig. 5

### MÉTHODE DE RECHARGE

#### REMARQUE

Avant de brancher le chargeur dans la prise, vérifier les points suivants.

- La tension de la source d'alimentation est indiquée sur la plaque signalétique.
- Le cordon n'est pas endommagé.

#### ⚠ AVERTISSEMENT

**Ne pas effectuer de recharge à une tension supérieure à la tension indiquée sur la plaque signalétique.**

**Si la recharge est effectuée à une tension supérieure à la tension indiquée sur la plaque signalétique, le chargeur sera brûlé.**

1. Brancher le cordon d'alimentation du chargeur dans une prise murale. Une fois que le cordon d'alimentation est branché, le témoin de charge clignote en rouge. (A intervalles d'une seconde)



#### ⚠ AVERTISSEMENT

**Ne pas utiliser le cordon électrique s'il est endommagé. Le faire réparer immédiatement.**

2. Insérer la batterie dans le chargeur de batterie.  
Insérer la batterie dans le chargeur de batterie comme indiqué à la Fig. 6.

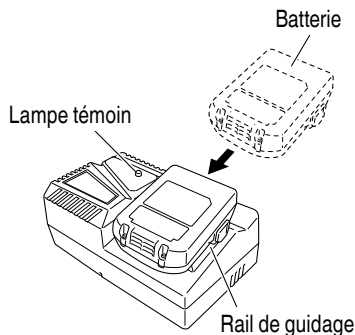


Fig. 6

3. Recharge  
Lorsque vous insérez une batterie dans le chargeur, la lampe témoin s'allume en rouge en continu.  
Lorsque la batterie est totalement rechargée, le voyant d'état de chargement clignote en rouge (à intervalles d'une seconde). (Voir Tableau 2)
- (1) Indication du voyant  
Les indications du témoin lumineux sont expliquées dans le Tableau 2, en fonction de l'état du chargeur de batterie ou de la batterie.

Tableau 2

Explications de la lampe témoin				
Lampe témoin (rouge)	Avant la recharge	Clignote	S'allume pendant 0,5 seconde. Ne s'allume pas pendant 0,5 seconde. (Eteint pendant 0,5 seconde)	
	Pendant la recharge	S'allume	S'allume sans interruption	
	Recharge terminée	Clignote	S'allume pendant 0,5 seconde. Ne s'allume pas pendant 0,5 seconde. (Eteint pendant 0,5 seconde)	
	Veille en surchauffe	Clignote	S'allume pendant 1 seconde. Ne s'allume pas pendant 0,5 seconde. (Eteint pendant 0,5 seconde)	Batterie en surchauffe. Chargement impossible (le chargement commencera une fois que la batterie sera froide).
	Recharge impossible	Clignote	S'allume pendant 0,1 seconde. Ne s'allume pas pendant 0,1 seconde. (Eteint pendant 0,1 seconde)	Anomalie de la batterie ou du chargeur

- (2) Au sujet de la température de la batterie rechargeable.  
Les températures des batteries rechargeables sont indiquées dans le Tableau 3. Laisser refroidir les batteries qui ont chauffé avant de les recharger.

Tableau 3

Batteries rechargeables	Températures de recharge de la batterie
BSL1830C	32°F-122°F (0°C-50°C)

- (3) Durée de recharge (A 68°F (20°C))

Tableau 4 Temps de recharge

Batterie \ Chargeur	UC18YFSL
BSL1830C	Env. 45 min

**REMARQUE**

Le temps de recharge peut varier en fonction de la température ambiante.

- Débrancher le chargeur de batterie de la prise.

## **⚠ PRECAUTION**

**Ne pas débrancher la fiche de la prise en tirant sur le cordon.**

**Pour éviter tout dommage lorsqu'on débranche la fiche de la prise, bien tenir la fiche proprement dite.**

- Retirer la batterie du chargeur de batterie.  
Sortir la batterie du chargeur tout en la soutenant de la main.

## **REMARQUE**

Bien sortir la batterie du chargeur de batterie après usage, et la conserver.

### **En ce qui concerne le courant de décharge d'une batterie neuve**

Etant donnée que les substances chimiques internes sont restées inactives dans le cas des batteries neuves ou des batteries qui sont restées longtemps inutilisées, le courant de décharge risque d'être très faible lors des première et deuxième utilisations. Ce phénomène est temporaire et le temps de recharge normal sera rétabli quand les batteries auront été rechargées 2 ou 3 fois.

### **Comment prolonger la durée de vie des batteries**

- Recharger les batteries avant qu'elles ne soient complètement épuisées.  
Quand la puissance de l'outil utilisé faiblit, l'éteindre et recharger la batterie. Si l'outil continue d'être utilisé jusqu'à épuisement du courant électrique, la batterie risque d'être endommagée et sa durée de vie se raccourcira.
- Eviter d'effectuer la recharge sous des températures élevées.  
Une batterie est toujours chaude immédiatement après son utilisation. Si la batterie est rechargée immédiatement après utilisation, les substances chimiques internes risquent de se détériorer et la durée de vie de la batterie se raccourcira. Laisser la batterie refroidir un moment avant de l'utiliser.

## **⚠ PRECAUTION**

- **Si le chargeur a fonctionné pendant longtemps de suite, il sera chaud, ce qui risque de provoquer des pannes. Lorsque la recharge est terminée, laisser le chargeur refroidir pendant environ 15 secondes avant de passer à la recharge suivante.**

- **Si la batterie est chaude quand elle est rechargée, parce qu'elle est restée longtemps en plein soleil ou parce qu'elle vient juste d'être utilisée, la lampe pilote du chargeur clignote en s'allumant pendant 1 seconde, puis en s'éteignant pendant 0,5 seconde.**

**La batterie ne se rechargera pas. Dans ce cas, laisser la batterie refroidir avant de la recharger.**

- **Quand la lampe témoin clignote rapidement (à intervalles de 0,2 seconde), vérifier le chargeur et retirer tout objet étranger qui serait tombé dans son connecteur. S'il n'y a rien d'amormal, il est alors probable que la batterie ou le chargeur fonctionne mal. Dans ce cas, les enlever et les porter à un réparateur agréé.**

## **AVANT L'UTILISATION**

### **⚠ PRECAUTION**

**Pour éviter tout risque d'accident grave, vérifier que l'interrupteur se trouve à la position OFF (○) (arrêt), et sortir la batterie.**

- Vérifier l'aire de travail  
Vérifier l'aire de travail pour s'assurer qu'il n'y a ni débris ni désordre.  
Evacuer l'aire de travail des personnes non autorisées. S'assurer que l'éclairage et la ventilation sont adéquats.
- Interrupteur d'alimentation  
S'assurer que l'interrupteur est sur la position OFF (○) (arrêt).
- Installation et retrait de la buse

### **⚠ PRECAUTION**

**Ne touchez pas la buse immédiatement après utilisation car elle est extrêmement chaude.**

Remplacez la buse par une buse adaptée au travail à effectuer. Insérez complètement la buse dans le capot avant jusqu'à ce qu'elle ne puisse pas aller plus loin. (Fig. 7)

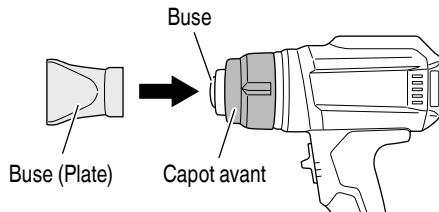


Fig. 7

Vous pouvez retirer la buse sans la toucher en faisant tourner le capot avant dans le sens antihoraire. (Fig. 8)

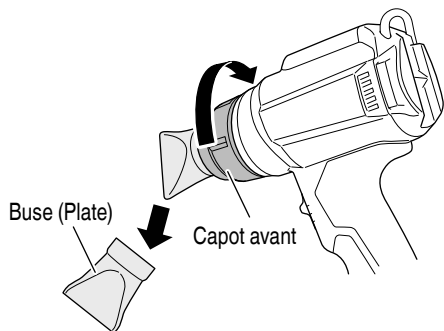


Fig. 8

**REMARQUE**

- Prenez garde de ne pas retirer la buse pendant le travail.
- Lors du retrait, faites attention de ne pas endommager les alentours ou la buse.

**⚠ PRECAUTION**

- Avant de fixer la buse, laissez l'appareil refroidir complètement ou utilisez un outil adapté.
- Une buse chaude peut enflammer une surface. Ne posez une buse chaude que sur une surface qui résiste au feu.
- Une buse incompatible ou défectueuse peut entraîner une accumulation de chaleur et endommager l'appareil. Utilisez uniquement une buse recommandée par metabo HPT et compatible avec votre appareil, en vous reportant au tableau.

4. Utilisation du crochet (Fig. 9)

**⚠ PRECAUTION**

- Si la buse est chaude, ne la suspendez pas pour la transporter.
- Le crochet se trouve derrière la tête de la buse. Tirez le crochet vers le haut, puis tournez l'extrémité du crochet pour l'utiliser.

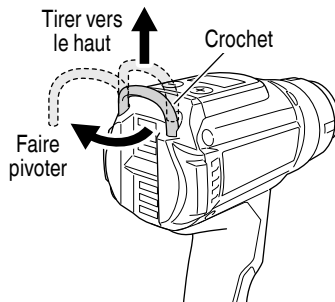


Fig. 9

5. Vérifier l'insertion de la batterie

**⚠ PRECAUTION**

Enfoncer la batterie jusqu'à ce qu'elle se mette en place dans un petit déclic. Sinon, elle risque de tomber accidentellement de l'outil et de blesser l'opérateur ou les personnes alentour.

**UTILISATION**

**⚠ AVERTISSEMENT**

Veillez à éteindre l'interrupteur, puis retirez la batterie de l'outil dans les cas suivants :

- Lors de l'arrêt ou de la fin du travail
- Lors de l'installation ou du retrait d'une buse

**⚠ PRECAUTION**

Pour prolonger sa durée de vie, la batterie lithiumion est équipée d'une fonction de protection qui coupe automatiquement l'alimentation. Par conséquent, en cas de surcharge de l'outil, il est possible que le moteur s'arrête. Il ne s'agit cependant pas d'un dysfonctionnement, mais du fonctionnement normal de la protection. Dans ce cas, actionnez le commutateur de l'outil et éliminez les causes de la surcharge.

## 1. Opérations de l'interrupteur et réglages de la température

Faites glisser l'interrupteur vers le bas pour choisir le [réglage I] ou le [réglage II] du volume d'air. (Fig. 10-a)  
 En appuyant sur le bouton de contrôle de la température, vous pouvez régler la température par paliers de 8°F (10°C) selon la plage correspondant à votre réglage (voir tableau 5). La température réglée s'affiche à l'<écran> ACL. (Fig. 10-b)

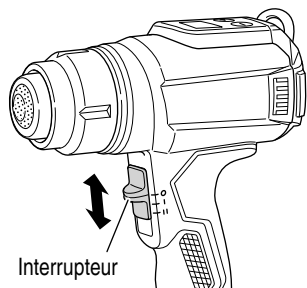


Fig. 10-a

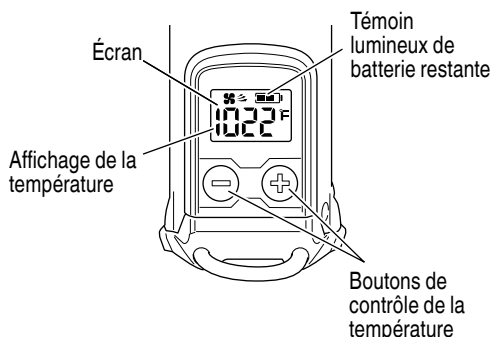


Fig. 10-b

Tableau 5

	Température	Volume d'air
Réglage I	86–752°F (30–400°C)	7,1 pi <sup>3</sup> /min (200 L/min)
Réglage II	86–1 022°F (30–550°C)	10,6 pi <sup>3</sup> /min (300 L/min)

### REMARQUE

- La température affichée peut être différente de la température réelle.
- Appuyez en même temps sur les boutons de contrôle de la température + et -, et maintenez-les enfoncés pour passer des degrés Fahrenheit (°F) aux degrés Celsius (°C), et inversement.

## 2. À propos du témoin lumineux de puissance batterie résiduelle

Le niveau de batterie restante s'affiche également à l'<écran> ACL.

Tableau 6

Etat de la lampe	La puissance résiduelle de la batterie
■ ■ ■ ■ ■	Plus de 70%
■ ■ ■ ■ ■	55%–70%
■ ■ ■ ■ ■	35%–55%
■ ■ ■ ■ ■	20%–35%
■ ■ ■ ■ ■	Moins de 20%

Le témoin lumineux de puissance batterie résiduelle peut s'allumer différemment selon la température ambiante et les caractéristiques de la batterie. Utilisez donc ce tableau comme référence.

### REMARQUE

- Lorsque vous utilisez une batterie avec un témoin de batterie restante, observez le témoin pour connaître l'autonomie de la batterie.
  - Ne donnez pas de choc violent sur l'écran. Cela pourrait provoquer des défaillances.
- ## 3. Comment utiliser la DEL d'éclairage. (Fig. 11)
- La DEL éclaire la zone à la pointe de l'outil quand l'interrupteur est enclenché.  
 La DEL s'éteint automatiquement quand l'interrupteur est en position d'arrêt.

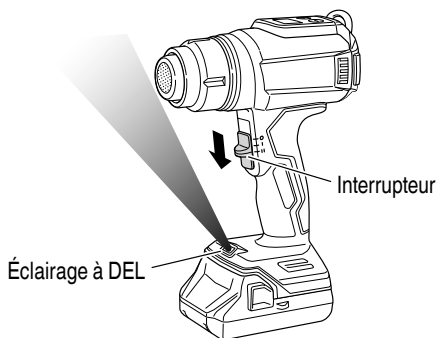


Fig. 11

**⚠ PRECAUTION**

- **N'exposez pas vos yeux directement à la lampe en la regardant.**  
Une exposition continue de vos yeux à la lampe pourrait les blesser.
- **Essuyer toute poussière ou saleté située sur la lentille du témoin DEL avec un chiffon doux, en faisant attention de ne pas rayer la lentille.**  
Des rayures sur la lentille du témoin DEL peuvent entraîner une baisse de la luminosité.

4. Réglage de la température

**⚠ AVERTISSEMENT**

- **N'utilisez pas le décapeur thermique à proximité de substances volatiles (diluants, gasoil, etc.)**
- **Pendant l'utilisation, n'approchez pas la buse de vos mains ou de votre visage.**  
Ne touchez pas la buse immédiatement après utilisation car elle est extrêmement chaude.

Ajustez la température en fonction de l'objet à chauffer. De même, faites attention aux matériaux environnants, qui seront chauffés en même temps. Commencez par appliquer l'air chaud soufflé à distance, tout en vérifiant que l'article chauffé n'est pas modifié par la chaleur, puis rapprochez-vous jusqu'à la distance appropriée.

**Chauffage de substances inflammables**  
(papier, bois, plastique etc.)

Mettez l'interrupteur sur le [réglage I] et appliquez la chaleur en approchant la buse à au moins 4 po (10 cm) de l'article chauffé. Déplacez lentement la pointe de la buse vers le haut, le bas, la gauche et la droite pour appliquer la chaleur. En appliquant la chaleur constamment sur le même point, vous risquez de déformer l'objet chauffé ou de provoquer l'émission de fumées.

**Chauffage de substances ininflammables**  
(métal, pierre, béton etc.)

Mettez l'interrupteur sur le [réglage I], et s'il n'y a pas de problèmes, passez-le sur le [réglage II]. Appliquez la chaleur en approchant la buse à au moins 2" (5 cm) de l'article chauffé. Si la buse est trop proche de l'objet chauffé, l'outil risque de chauffer et de provoquer des dysfonctionnements.

5. Travailler avec l'outil dirigé vers le haut

**⚠ PRECAUTION**

- **Lorsque vous utilisez l'outil dirigé vers le haut, placez-le sur une surface stable.**

Lorsque vous travaillez à deux mains (p. ex., lorsque vous pliez un tuyau), vous pouvez poser le pistolet à air chaud et diriger la buse vers le haut.

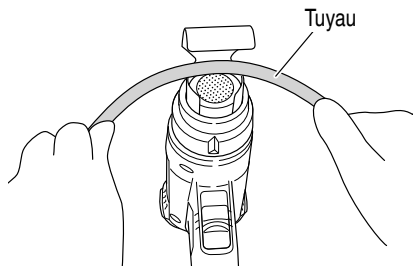


Fig. 12

**ETUDE DE CAS**

**⚠ PRECAUTION**

**Les pièces fournies composant les buses ont des rebords tranchants, donc, enfillez des gants pour les retirer du boîtier ainsi que pour les monter/démonter.**  
**Choisissez la buse en fonction de la forme de l'objet et de la surface chauffés.**

1. **Décapage de la peinture (Fig. 13)**  
Utilisez la buse (plate) ou la buse (ronde) pour ramollir la peinture à l'aide de l'air chaud soufflé, puis servez-vous du racloir pour la décoller. Attention si la peinture est trop chauffée, elle sera brûlée et durcie, ce qui rendra son retrait plus difficile.

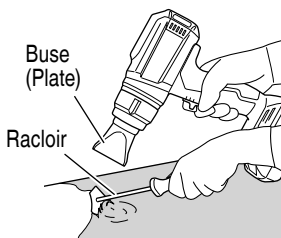
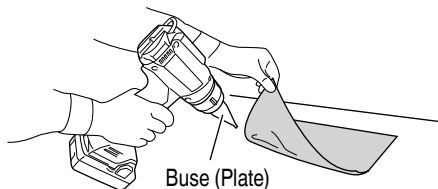


Fig. 13

2. Ramollissement de la colle (Fig. 14)

Utilisez une buse (plate) ou une buse (ronde) pour ramollir la surface et faciliter son écaillage puis décollez un rebord pour souffler l'air chaud par dessous et décollez délicatement jusqu'à ce qu'il ne reste plus de restes de colle.

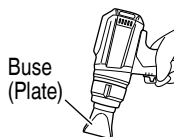


Buse (Plate)

Fig. 14

3. Emballage à chaud (Fig. 15)

Utilisez la buse (plate) pour l'emballage à chaud avec du film rétractable ou des tubes. Le matériau changera de couleur ou se fissurera si l'air chaud est soufflé de trop près. Maintenez donc une distance appropriée tout en surveillant la progression.

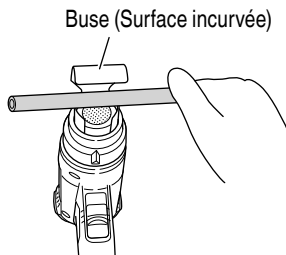


Buse (Plate)

Fig. 15

4. Formation de tuyaux en résine (Fig. 16)

Utilisez la buse (surface incurvée) pour chauffer uniformément la circonférence du tuyau en résine. Pour éviter le rétrécissement du diamètre interne du tuyau lorsqu'il est plié etc. versez du sable à l'intérieur, fermez les deux extrémités puis pliez délicatement le tuyau.

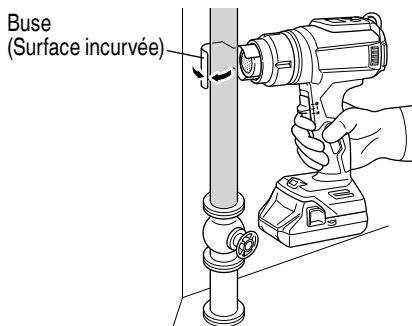


Buse (Surface incurvée)

Fig. 16

5. Dégivrage des canalisations d'eau (Fig. 17)

Utilisez la buse (surface incurvée) pour chauffer la zone gelée, en partant des extrémités pour revenir vers le centre. Ne confondez pas les canalisations d'eau avec des tubes en verre. Veillez à ne pas détériorer les parties en résine gelées des canalisations d'eau.



Buse (Surface incurvée)

Fig. 17






## MESSAGES D'AVERTISSEMENT

Cet appareil dispose de fonctions conçues pour protéger l'outil et la batterie.

Si l'une des fonctions de protection se déclenche pendant l'utilisation de l'appareil, le témoin à DEL et la température à l'écran clignoteront pendant quelques secondes, comme indiqué dans le tableau 7.

Lorsque l'une des fonctions de protection est enclenchée, éteindre immédiatement et suivre les instructions décrites sous l'action corrective.

Tableau 7

Fonction de protection	Affichage du témoin à DEL	Écran	Action corrective
Protection contre la surcharge	Allumé 0,5 s / Éteint 0,5 s		Réglez la cause de la surcharge.
Protection contre la température			Laissez l'outil et la batterie refroidir complètement.

## ENTRETIEN ET INSPECTION

### ⚠ AVERTISSEMENT

- S'assurer d'éteindre l'interrupteur et de retirer la batterie avant de procéder à une inspection ou à un entretien.
- Inspectez et nettoyez la buse une fois qu'elle a refroidi.

1. Vérifier les vis  
Des vis mal serrées sont dangereuses. Les inspecter régulièrement et vérifier qu'elles sont serrées à fond.

### ⚠ PRECAUTION

**Il serait extrêmement dangereux d'utiliser cet outil électrique avec des vis mal serrées.**

2. Vérifier s'il y a de la poussière  
Enlever la poussière avec un chiffon doux ou un chiffon humecté d'eau savonneuse. Ne pas utiliser de décolorant, chlorure, essence ou diluant, car ces produits pourraient endommager le plastique. Pour un travail sûr et efficace, maintenez toujours l'appareil et ses fentes d'aération propres.
3. Inspection des bornes (outil et batterie)  
Assurez-vous qu'il n'y a pas de copeaux ou de poussières accumulés sur les bornes. À l'occasion, vérifiez avant, pendant et après le fonctionnement.

### ⚠ PRECAUTION

**Retirez tous les copeaux ou la poussière qui se sont accumulés sur les bornes. Le non-respect de cette consigne pourrait provoquer un dysfonctionnement.**

4. Mise au rebut d'une batterie usée

### ⚠ AVERTISSEMENT

**Ne pas jeter la batterie usée aux ordures ménagères. La batterie risque d'exploser si elle est incinérée. L'appareil que vous avez acheté renferme une batterie rechargeable. La batterie est recyclable. Lorsqu'elle a atteint sa limite de service, selon les lois des états et les lois locales, il peut être illégal de jeter cette batterie aux ordures ménagères. Vérifier auprès de son service de ramassage d'ordures les options de recyclage et la procédure correcte de mise au rebut.**

5. Rangement  
Ranger dans un lieu dont la température est inférieure à 104°F (40°C), et hors de portée des enfants.

### REMARQUE

Stockage des batteries au lithium-ion  
Assurez-vous que les batteries au lithium-ion ont été entièrement chargées avant de les stocker.

Le stockage prolongé (3 mois ou plus) de batteries faiblement chargées peut entraîner une détérioration des performances, réduisant considérablement la durée d'autonomie des batteries alors incapables de tenir une charge.

Il est cependant possible de recouvrer la capacité d'autonomie d'une batterie considérablement endommagée en alternant deux à cinq fois charge et utilisation.

Si la durée d'autonomie de la batterie reste extrêmement courte malgré les charges et utilisations consécutives, considérez la batterie en fin de vie et procurez-vous en une neuve.

6. Entretien et réparation  
Tous les outils motorisés de qualité auront éventuellement besoin d'une réparation ou du remplacement d'une pièce à cause de l'usure normale de l'outil. Pour assurer que seules des pièces de rechange autorisées seront utilisées, tous les entretiens et les réparations doivent être effectués uniquement par UN CENTRE DE SERVICE metabo HPT AUTORISÉ.

### ⚠ PRECAUTION

**Lors de l'utilisation et de l'entretien d'un outil électrique, respecter les règlements et les normes de sécurité en vigueur dans le pays en question.**

#### **Avis important sur les batteries pour outils électriques sans fil metabo HPT**

Toujours utiliser une de nos batteries originales spécifiées. Nous ne saurions garantir la sécurité et la performance de notre outil électrique sans fil s'il est utilisé avec une batterie autre que celle que nous avons spécifiée, ou encore si la batterie est démontée et modifiée (par exemple, le démontage et remplacement des cellules ou autres composants internes).

## GUIDE DE DÉPANNAGE

### ⚠ AVERTISSEMENT

- Afin d'éviter un démarrage intempestif, placer l'interrupteur à la position d'arrêt (OFF) et débrancher la fiche de la source d'alimentation avant d'effectuer un quelconque ajustement.
- Toute réparation électrique ou mécanique doit être effectuée par un technicien qualifié. Contacter un centre de service autorisé de metabo HPT.

#### 1. Outil électrique

Symptôme	Cause probable	Solution
L'outil ne fonctionne pas	Batterie déchargée	Chargez la batterie.
	L'interrupteur a été placé entre la position I et la position d'arrêt (O) pendant un certain temps.	Placez l'interrupteur en position d'arrêt (O) une fois avant de changer sa position.
Apparition d'une fumée blanche	Lors de la première utilisation, l'huile contenue dans l'isolant thermique peut se vaporiser sous l'effet de la chaleur et produire une légère fumée blanche.	La fumée disparaîtra après quelques minutes d'utilisation continue.
L'outil s'est arrêté soudainement	La batterie est en surchauffe.	Laissez la batterie refroidir.
La batterie ne peut pas être installée	Essayer d'installer une batterie d'un autre type que celui défini pour l'outil.	Veuillez installer des batteries de type multivolt ou de série BSL18xx.

#### 2. Chargeur

Problème	Origine possible	Solution possible
Le témoin de charge clignote rapidement en violet et le chargement de la batterie ne démarre pas.	La batterie n'est pas insérée à fond.	Insérer fermement la batterie.
	Un corps étranger se trouve sur la borne de la batterie ou là où la batterie est fixée.	Retirez le corps étranger.
Le témoin de charge clignote en rouge et la charge de la batterie ne débute pas.	La batterie n'est pas insérée à fond.	Insérer fermement la batterie.
	La batterie a surchauffé.	Si la batterie est laissée en place et si la température diminue, la charge débutera automatiquement, mais ceci peut réduire la durée de vie de la batterie. Il est recommandé de laisser refroidir la batterie dans un endroit bien aéré éloigné des rayons directs du soleil avant de la charger.
Le temps de fonctionnement de la batterie est court alors même que la batterie est complètement chargée.	La durée de vie de la batterie est terminée.	Remplacer la batterie par une neuve.

Problème	Origine possible	Solution possible
La charge de la batterie prend du temps.	La température de la batterie, du chargeur ou de l'environnement alentour est très basse.	Charger la batterie à l'intérieur ou dans un autre environnement plus chaud.
	Les bouches d'aération du chargeur sont bloquées provoquant la surchauffe de ses éléments internes.	Éviter de bloquer les bouches d'aération.
	Le ventilateur de refroidissement ne fonctionne pas.	Communiquer avec un centre de service metabo HPT autorisé pour solliciter une réparation.
Le témoin d'alimentation USB s'est éteint et le périphérique USB a cessé la charge.	La capacité de la batterie est devenue faible.	Remplacer la batterie par une batterie ayant assez de capacité restante.
		Brancher la fiche du cordon d'alimentation du chargeur dans une prise électrique.
Le témoin d'alimentation USB ne s'éteint pas alors même que le périphérique USB a fini la charge.	Le témoin d'alimentation USB s'allume en vert pour indiquer que la charge USB est possible.	Il ne s'agit pas d'un dysfonctionnement.
Le statut de charge du périphérique USB ou la fin de la charge est incertain(e).	Le témoin d'alimentation USB ne s'éteint pas alors même que la charge est terminée.	Inspecter le périphérique USB en charge pour confirmer son statut de charge.
La charge du périphérique USB s'interrompt à mi-chemin.	Le chargeur a été branché dans une prise électrique alors même que le périphérique USB était chargé au moyen de la batterie comme source d'alimentation.	Il ne s'agit pas d'un dysfonctionnement. Le chargeur interrompt la charge USB pendant environ 5 secondes lorsqu'il fait la différence entre les sources d'alimentation.
	Une batterie a été insérée dans le chargeur alors même que le périphérique USB était chargé au moyen d'une prise secteur comme source d'alimentation.	
La charge du périphérique USB s'interrompt à mi-chemin lorsque la batterie et le périphérique USB sont chargés simultanément.	La batterie est complètement chargée.	Il ne s'agit pas d'un dysfonctionnement. Le chargeur interrompt la charge USB pendant environ 5 secondes alors qu'il vérifie si la charge de la batterie est terminée.
La charge du périphérique USB ne débute pas lorsque la batterie et le périphérique USB sont chargés simultanément.	La capacité restante de la batterie est très basse.	Il ne s'agit pas d'un dysfonctionnement. Lorsque la capacité de la batterie atteint un certain niveau, la charge USB débute automatiquement.

## ACCESSOIRES

### AVERTISSEMENT

**TOUJOURS** utiliser **UNIQUEMENT** des pièces de rechange et des accessoires metabo HPT. Ne jamais utiliser de pièce de rechange ou d'accessoires qui ne sont pas prévus pour être utilisés avec cet outil. En cas de doute, contacter metabo HPT pour savoir si une pièce de rechange ou un accessoire particulier peuvent être utilisés en toute sécurité avec votre outil.

L'utilisation de tout autre attachement ou accessoire peut être dangereux et peut causer des blessures ou des dommages mécaniques.

### REMARQUE

Les accessoires sont sujets à changement sans obligation de la part de metabo HPT.

---

### ACCESSOIRES STANDARD

(1) Buse (ronde).....	1
(2) Buse (plate).....	1
(3) Buse (surface incurvée).....	1

---

### ACCESSOIRES EN OPTION.....vendus séparément

- Batterie (BSL1830C)
- Chargeur de batterie (UC18YFSL)

### REMARQUE

Les spécifications sont sujettes à modification sans aucune obligation de la part de metabo HPT.

---

## **INSTRUCCIONES IMPORTANTES SOBRE SEGURIDAD**

---

Antes de utilizar o de realizar cualquier trabajo de mantenimiento de esta herramienta eléctrica, lea y comprenda todas las precauciones de seguridad, advertencias e instrucciones de funcionamiento de este Manual de instrucciones.

La mayoría de los accidentes producidos en la operación y el mantenimiento de una herramienta eléctrica se deben a la falta de observación de las normas o precauciones de seguridad. Los accidentes normalmente podrán evitarse reconociendo una situación potencialmente peligrosa a tiempo y siguiendo los procedimientos de seguridad apropiados.

Las precauciones básicas de seguridad se describen en la sección "SEGURIDAD" de este Manual de instrucciones y en las secciones que contienen las instrucciones de operación y mantenimiento.

Para evitar lesiones o el daño de la herramienta eléctrica, los riesgos están identificados con ADVERTENCIAS en dicha herramienta y en este Manual de instrucciones.

No utilice **NUNCA** esta herramienta eléctrica de ninguna forma que no esté específicamente recomendada por metabo HPT.

---

## **SIGNIFICADO DE LAS PALABRAS DE SEÑALIZACIÓN**

---

**ADVERTENCIA** indica situaciones potencialmente peligrosas que, si se ignoran, pueden resultar en la muerte o en lesiones de gravedad.

**PRECAUCIÓN** indica situaciones potencialmente peligrosas que, de no evitarse, pueden resultar en lesiones menores o moderadas, o causar daños en la herramienta eléctrica.

**NOTA** acentúa información esencial.

# **SEGURIDAD**

---

## **ADVERTENCIAS DE SEGURIDAD GENERAL DE LA HERRAMIENTA ELÉCTRICA**

---

### **⚠ ADVERTENCIA**

**Lea todas las instrucciones y todas las advertencias de seguridad.**

Si no se siguen las advertencias e instrucciones, podría producirse una descarga eléctrica, un incendio y/o daños graves.

**Guarde todas las advertencias e instrucciones para futura referencia.**

El término "herramienta eléctrica" en las advertencias hace referencia a la herramienta eléctrica que funciona con la red de suministro (con cable) o a la herramienta eléctrica que funciona con pilas (sin cable).

- 1) **Seguridad en el área de trabajo**
  - a) **Mantenga la zona de trabajo limpia y bien iluminada.**

Las zonas desordenadas o oscuras pueden provocar accidentes.
  - b) **No utilice las herramientas eléctricas en entornos explosivos como, por ejemplo, en presencia de líquidos inflamables, gases o polvo.**

Las herramientas eléctricas crean chispas que pueden hacer que el polvo desprenda humo.
  - c) **Mantenga a los niños y transeúntes alejados cuando utilice una herramienta eléctrica.**

Las distracciones pueden hacer que pierda el control.
- 2) **Seguridad eléctrica**
  - a) **Los enchufes de las herramientas eléctricas tienen que ser adecuados a la toma de corriente.**

**No modifique el enchufe.**  
**No utilice enchufes adaptadores con herramientas eléctricas conectadas a tierra.**  
Si no se modifican los enchufes y se utilizan tomas de corriente adecuadas se reducirá el riesgo de descarga eléctrica.
  - b) **Evite el contacto corporal con superficies conectadas a tierra como tuberías, radiadores y frigoríficos.**

Hay mayor riesgo de descarga eléctrica si su cuerpo está en contacto con el suelo.
  - c) **No exponga las herramientas eléctricas a la lluvia o a la humedad.**

La entrada de agua en una herramienta eléctrica aumentará el riesgo de descarga eléctrica.

- d) **No utilice el cable incorrectamente. No utilice el cable para transportar, tirar de la herramienta eléctrica o desenchufarla. Mantenga el cable alejado del calor, del aceite, de bordes afilados o piezas móviles.**  
Los cables dañados o enredados aumentan el riesgo de descarga eléctrica.
- e) **Cuando utilice una herramienta eléctrica al aire libre, utilice un cable prolongador adecuado para utilizarse al aire libre.**  
La utilización de un cable adecuado para usarse al aire libre reduce el riesgo de descarga eléctrica.
- f) **Si no se puede evitar el uso de una herramienta eléctrica en un lugar húmedo, utilice un suministro protegido mediante un dispositivo de corriente residual (RCD).**  
El uso de un RCD reduce el riesgo de descarga eléctrica.
- 3) **Seguridad personal**
- a) **Esté atento, preste atención a lo que hace y utilice el sentido común cuando utilice una herramienta eléctrica.**  
**No utilice una herramienta eléctrica cuando esté cansado o esté bajo la influencia de drogas, alcohol o medicación.**  
La distracción momentánea cuando utiliza herramientas eléctricas puede dar lugar a importantes daños personales.
- b) **Utilice un equipo de protección. Utilice siempre una protección ocular.**  
El equipo de protección como máscara para el polvo, zapatos de seguridad antideslizantes, casco o protección para oídos utilizado para condiciones adecuadas reducirá los daños personales.
- c) **Evite un inicio involuntario. Asegúrese de que el interruptor está en "off" antes de conectar la herramienta a una fuente de alimentación y/o batería, cogerla o transportarla.**  
El transporte de herramientas eléctricas con el dedo en el interruptor o el encendido de herramientas eléctricas con el interruptor encendido puede provocar accidentes.
- d) **Retire las llaves de ajuste antes de encender la herramienta eléctrica.**  
Si se deja una llave en una pieza giratoria de la herramienta eléctrica podrían producirse daños personales.
- e) **No se extralimite. Mantenga un equilibrio adecuado en todo momento.**  
Esto permite un mayor control de la herramienta eléctrica en situaciones inesperadas.
- f) **Vístase adecuadamente. No lleve prendas sueltas o joyas. Mantenga el pelo, la ropa y los guantes alejados de las piezas móviles.**  
La ropa suelta, las joyas y el pelo largo pueden pillarse en las piezas móviles.
- g) **Si se proporcionan dispositivos para la conexión de extracción de polvo e instalaciones de recogida, asegúrese de que están conectados y se utilizan adecuadamente.**  
La utilización de un sistema de recogida de polvo puede reducir los riesgos relacionados con el polvo.
- 4) **Utilización y mantenimiento de las herramientas eléctricas**
- a) **No fuerce la herramienta eléctrica. Utilice la herramienta eléctrica correcta para su aplicación.**  
La herramienta eléctrica correcta trabajará mejor y de forma más segura si se utiliza a la velocidad para la que fue diseñada.
- b) **No utilice la herramienta eléctrica si el interruptor no la enciende y apaga.**  
Las herramientas eléctricas que no pueden controlarse con el interruptor son peligrosas y deben repararse.
- c) **Antes de hacer ajustes, cambiar accesorios o almacenar las herramientas eléctricas, desconecte el enchufe de la fuente eléctrica y/o las baterías de la herramienta.**  
Estas medidas de seguridad preventivas reducen el riesgo de que la herramienta eléctrica se ponga en marcha accidentalmente.
- d) **Guarde las herramientas eléctricas que no se utilicen para que no las cojan los niños y no permita que utilicen las herramientas eléctricas personas no familiarizadas con las mismas o con estas instrucciones.**  
Las herramientas eléctricas son peligrosas si son utilizadas por usuarios sin formación.
- e) **Mantenimiento de las herramientas eléctricas. Compruebe si las piezas móviles están mal alineadas o unidas, si hay alguna pieza rota u otra condición que pudiera afectar al funcionamiento de las herramientas eléctricas.**  
**Si la herramienta eléctrica está dañada, llévela a reparar antes de utilizarla.**  
Se producen muchos accidentes por no realizar un mantenimiento correcto de las herramientas eléctricas.
- f) **Mantenga las herramientas de corte afiladas y limpias.**  
Las herramientas de corte correctamente mantenidas con los bordes de corte afilados son más fáciles de controlar.

- g) **Utilice la herramienta eléctrica, los accesorios y las brocas de la herramienta, etc. de acuerdo con estas instrucciones, teniendo en cuenta las condiciones laborales y el trabajo que se va a realizar.**  
La utilización de la herramienta eléctrica para operaciones diferentes a pretendidas podría dar lugar a una situación peligrosa.
- 5) **Utilización y cuidado de las herramientas a pilas**
- a) **No abra la batería, ya que puede causar un cortocircuito.**
- b) **Proteja la batería de la luz solar prolongada y de la exposición a altas temperaturas, llamas, agua y humedad, que pueden generar peligro de explosión.**
- c) **Cuando el paquete de baterías no esté en uso, manténgalo alejado de otros objetos metálicos, como clips, monedas, llaves, clavos, tornillos u otros objetos metálicos pequeños, que pueden conectar un terminal con otro. Un cortocircuito entre los terminales de la batería puede causar quemaduras o un incendio.**
- d) **Bajos condiciones abusivas, podría expulsarse líquido de la pila; evite todo contacto. En caso de que se produzca contacto accidentalmente, enjuague con agua. Si entra líquido en los ojos, busque ayuda médica.**  
El líquido expulsado de la pila podría causar irritación o quemaduras.
- e) **Si la batería está dañada o no sigue las instrucciones de uso, puede generar vapor tóxico. El área de trabajo debe garantizar la ventilación de aire; si se siente incómodo, diríjase al hospital para recibir tratamiento médico, ya que el vapor de la batería podría estimular el tracto de aspiración.**
- f) **Recargue solo con el cargador especificado por el fabricante. Un cargador adecuado para un tipo de paquete de baterías puede crear un riesgo de incendio cuando se usa con otro paquete de baterías.**
- g) **Use herramientas eléctricas solo con los paquetes de baterías designados específicamente. El uso de cualquier otro paquete de baterías puede generar riesgo de lesión, sobrecarga e incendio.**
- h) **Los objetos con bordes afilados o puntas, como clavos o destornilladores, pueden dañar la batería, lo que puede causar un cortocircuito interno, llamas, humo, explosión o calor extremo.**
- i) **No incinere esta pistola de calor incluso si está gravemente dañada. Las baterías pueden explotar en un incendio.**

## 6) Revisión

- a) **Lleve su herramienta a que la revise un experto cualificado que utilice sólo piezas de repuesto idénticas.**  
Esto garantizará el mantenimiento de la seguridad de la herramienta eléctrica.

## –ADVERTENCIA–

Para disminuir el riesgo de lesiones, el usuario debe leer el manual de instrucciones.

## ADVERTENCIAS DE SEGURIDAD DE LA PISTOLA DE CALOR INALÁMBRICA

### ⚠ ADVERTENCIA

- No use la herramienta con las manos mojadas.  
De lo contrario, podría producirse una descarga eléctrica.
- Mantenga las manos y la cara alejadas de la boquilla.
- Compruebe siempre el área de trabajo antes de utilizarlo y no use la herramienta si la seguridad no se puede garantizar.  
De lo contrario, los objetos inflamables tapados o colocados detrás de zonas invisibles (fundas, techos, suelos, zonas huecas) podrían incendiarse.
- No utilice la herramienta cerca de sustancias volátiles (disolvente, gasolina, etc.)  
De lo contrario, podría producirse un incendio o una explosión.
- Cuando trabaje en lugares elevados, asegúrese de que no haya personas o materiales inflamables debajo.  
De lo contrario, podrían producirse accidentes.
- No dirija el aire caliente directamente hacia personas o animales. No mire en la boquilla. No lo utilice como secador de pelo bajo ninguna circunstancia.  
De lo contrario, podrían producirse accidentes o lesiones.
- Puede que se emita gas altamente tóxico si se utiliza sobre plástico, laca o materiales similares.  
Compruebe siempre que el área de trabajo esté completamente ventilada y utilice una máscara de protección contra el polvo.
- Aplique calor suavemente mientras mueve la pistola de calor inalámbrica hacia arriba, hacia abajo, hacia la izquierda y hacia la derecha.  
Si se apunta constantemente a un único lugar podría producirse humo o un incendio.
- Si se cae accidentalmente o se golpea, compruebe que la herramienta no presente daños, grietas o deformaciones.  
Los daños, las grietas y las deformaciones podrían provocar lesiones.



10. Detenga la operación inmediatamente si la herramienta no funciona correctamente o si se observan ruidos o vibraciones anormales y póngase en contacto con un Centro de Servicios Autorizado metabo HPT para que la inspeccionen y reparen. Si sigue utilizándose podrían producirse lesiones.
11. No se aleje de la unidad cuando esté encendida. Siempre coloque el interruptor en la posición de OFF (apagado) (O) cuando termine de trabajar. De lo contrario podrían producirse accidentes.

### Advertencia de seguridad importante: Dispositivo solo para uso en interiores

- a) Las áreas ocultas como las partes de atrás de las paredes, techos, pisos, tablas de soffit y otros paneles pueden contener materiales inflamables que podrían encenderse por la pistola de calor al trabajar en estos lugares. La ignición de estos materiales podría no ser advertida rápidamente y podría causar daños a la propiedad y lesiones.

Al trabajar en estos lugares, mantenga la pistola de calor moviéndose para atrás y para adelante.

Detenerse o pausar en un punto podría encender el panel o el material detrás de él.

### b) INSTRUCCIONES DE SEGURIDAD IMPORTANTES.

#### LEA ESTAS INSTRUCCIONES

#### Instrucciones de seguridad adicionales para la pistola de calor inalámbrica

- No ponga las manos en la entrada de aire ni bloquee la ventilación de aire de ninguna manera.
- Durante el uso, la boquilla y otros accesorios estarán a temperaturas extremadamente altas, por lo que se podrán tocar después de que se enfríen por completo.
- Corte la fuente de alimentación antes de dejar la máquina.
- Evite que la máquina quede sin supervisión cuando esté en funcionamiento.
- La pistola de calor inalámbrica podría provocar un riesgo de incendio no intencionado.
- No utilice una pistola de calor inalámbrica en lugares húmedos o que sean fácilmente inflamables o explosivos.
- Guarde la pistola de calor inalámbrica cuando se enfríe por completo.
- Asegúrese de que haya una ventilación de aire adecuada para expulsar el humo tóxico que se puede generar durante el uso.
- No la utilice como un soplador.
- No bloquee la entrada o salida de aire, ya que podría provocar que la pistola de calor inalámbrica se caliente mucho y se dañe.
- No apunte la pistola de calor inalámbrica hacia nadie.

- No toque la ventilación de aire de metal, ya que puede tener una temperatura extremadamente alta; permanecerá a alta temperatura dentro de los 30 minutos después de apagar la máquina.
- No debe colocar la pistola de calor inalámbrica, en uso o después del uso, cerca de ningún objeto.
- No debe permitir que ningún objeto caiga en la boquilla y provoque una descarga eléctrica, ya que, si la máquina está en uso, causará un sobrecalentamiento. No mire a través de la boquilla.

### ⚠ ADVERTENCIA

Se debe tener sumo cuidado al quitar la pintura. La pintura descascarada, los residuos y vapores de pintura pueden contener plomo, el cual es tóxico. Cualquier pintura fabricada antes de 1977 puede contener plomo y es probable que la pintura aplicada en viviendas antes de 1950 contenga plomo. Una vez depositado en las superficies, el contacto mano-boca puede provocar la ingesta de plomo. La exposición, incluso a niveles bajos de plomo, puede causar daños irreversibles cerebrales y al sistema nervioso; los jóvenes y los nonatos son especialmente vulnerables.

Antes de comenzar cualquier proceso de eliminación de pintura, debe determinar si la pintura que eliminará contiene plomo. El departamento de salud local puede realizar esta tarea o bien un profesional que utilice un analizador de pintura para verificar la presencia de plomo en la pintura por eliminar. **LA PINTURA A BASE DE PLOMO SOLO DEBE SER ELIMINADA POR UN PROFESIONAL Y NO DEBE SER ELIMINADA CON UNA PISTOLA DE CALOR.**

Las personas que eliminen la pintura deben seguir estas directrices:

1. Lleve la pieza de trabajo afuera. De no ser posible, mantenga el área de trabajo bien ventilada. Abra las ventanas y coloque un extractor de aire en una de ellas. Corrobore que el extractor haga circular el aire de adentro hacia afuera.
2. Quite o cubra cualquier alfombra, alfombrilla, mueble, ropa, utensilio de cocina y conducto de aire.
3. Coloque lonas protectoras en el área de trabajo para que atrapen las gotas de pintura o la pintura descascarada. Use ropa de protección, como varias camisas de trabajo, mamelucos y sombreros.
4. Trabaje en una sola habitación al mismo tiempo. Los muebles deben ser quitados o colocados en el centro de la habitación y cubiertos. Las áreas de trabajo deben ser aisladas del resto de la vivienda cubriendo las entradas con lonas protectoras.

5. Los niños, las mujeres embarazadas o las mujeres que posiblemente estén embarazadas y las madres de niños de pecho no deben estar presentes en el área de trabajo hasta que se haya finalizado el trabajo y la limpieza por completo.
6. Utilice una máscara respiratoria antipolvo o una máscara respiratoria de doble filtro (antipolvo y antihumo) que haya sido aprobada por la Administración de Seguridad y Salud Ocupacional (OSHA, por sus siglas en inglés), el Instituto Nacional para la Seguridad y la Salud Ocupacional (NIOSH, por sus siglas en inglés) o el Bureau de Minas de los Estados Unidos.  
Estas máscaras y filtros de repuesto se pueden conseguir en las principales ferreterías. Asegúrese de que la máscara le quede bien. La barba y el bello facial pueden hacer que no se ajusten bien. Cámbiele los filtros con frecuencia. **LAS MÁSCARAS DE PAPEL DESECHABLES NO SON ADECUADAS.**
7. Tenga cuidado al usar la pistola de calor. Mantenga la pistola de calor inalámbrica en movimiento, debido a que el calor excesivo generará gases que pueden ser inhalados por el usuario.
8. Mantenga la comida y la bebida fuera del área de trabajo. Lávese las manos, los brazos y la cara, y enjuáguese la boca antes de comer o beber. No fume ni mastique goma de mascar o tabaco en el área de trabajo.
9. Limpie toda la pintura y el polvo eliminado pasando un trapeador mojado en los pisos. Utilice un paño mojado para limpiar todas las paredes, alféizares y cualquier otra superficie donde se haya adherido pintura o polvo. **NO BARRA, NO LIMPIE EN SECO NI PASE LA ASPIRADORA.** Utilice un detergente con altos niveles de fosfato o fosfato trisódico (FTS) para lavar y pasar el trapeador en las áreas de trabajo.
10. Al finalizar cada sesión de trabajo, ponga los restos de pintura y residuos en una bolsa de plástico doble, ciérrela con cinta adhesiva o precintos y elimínela como corresponde.
11. Qúitese la ropa de protección y los zapatos de trabajo en el área de trabajo a fin de evitar llevar el polvo al resto de la vivienda. Lave las prendas de trabajo por separado. Limpie los zapatos con un trapo mojado que luego se lavará junto con las ropas de trabajo. Lávese bien el pelo y el cuerpo con agua y jabón.

## ADVERTENCIA

**Para reducir el riesgo de incendio o de descarga eléctrica, no exponga este producto a la lluvia o humedad. Guárdelo en interiores. Lea el manual de instrucciones antes de usarlo.**

## PRECAUCIÓN

1. Las piezas de la boquilla suministrada están afiladas. Utilice guantes cuando las extraiga de la funda y cuando las instale o desinstale.
2. La boquilla, la punta de la boquilla y el material calentado estarán muy calientes durante la utilización de la herramienta y después de usarla. Utilice guantes y evite tocarlos directamente.
3. No utilice cajas internas, cajones u otros espacios cerrados.  
Si se apunta constantemente a un único lugar podría producirse humo o un incendio.
4. No encienda y apague la herramienta repetidamente. De lo contrario, podrían producirse fallas.
5. No dirija la boquilla de emisión de aire caliente hacia abajo inmediatamente después de su uso.  
De lo contrario, el decapador de aire caliente podría recalentarse y causar fallas.
6. Asegúrese de que la pistola de calor inalámbrica se haya enfriado completamente antes de almacenarla. De lo contrario, podrían producirse quemaduras o malformaciones en la funda de almacenamiento.
7. No exponga los ojos directamente a la luz; evite mirar hacia ella directamente.  
Si los ojos están expuestos de manera continua a la luz, pueden resultar lesionados.

## **NORMAS Y SÍMBOLOS ESPECÍFICOS DE SEGURIDAD**

1. **No opere la unidad desde un pavimento inestable como, por ejemplo, una escalera de mano.**  
Podrían producirse lesiones.
2. **Antes de la operación, retire cualquier objeto presente en la zona que pueda causar lesiones o accidentes.**
3. **Precauciones durante el transporte**
  - **Apague el interruptor en el cuerpo de la máquina y retire la batería.**
  - **Transporte la máquina mediante la empuñadura del cuerpo.**
  - **Cuando la transporte en un vehículo, tome las medidas adecuadas para evitar que se caiga o se dañe.**
4. **NUNCA utilice una pistola de calor para aplicaciones que no sean las especificadas.**  
**NUNCA** utilice una pistola de calor para aplicaciones que no sean las especificadas en este Manual de instrucciones.
5. **Mantenga todos los tornillos, pernos, y cubiertas firmemente fijados en su lugar.**  
Mantenga todos los tornillos, pernos, y cubiertas firmemente montados. Compruebe periódicamente su condición.

6. **No utilice la pistola de calor si la carcasa o la empuñadura de plástico están rajadas.**

Las rajaduras en la carcasa o en la empuñadura de plástico de la pistola de calor pueden conducir a descargas eléctricas. Dicha pistola de calor no deberá utilizarse mientras no se haya reparado.

7. **NUNCA utilice una pistola de calor defectuosa o que funcione anormalmente.**

Si la pistola de calor parece que funciona anormalmente, produciendo ruidos extraños, etc., o parece defectuosa, deje inmediatamente de utilizarla y solicite su arreglo a un centro de reparaciones autorizado por metabo HPT.

8. **No limpie las partes de plástico con disolvente.**

Los disolventes, como gasolina, diluidor de pintura, bencina, tetracloruro de carbono, y alcohol pueden dañar o rajar las partes de plástico. No las limpie con tales disolventes.

Limpie las partes de plástico con un paño suave ligeramente humedecido en agua jabonosa y después séquelas bien.

9. Definiciones para las magnitudes utilizadas en esta herramienta

V ..... tensión eléctrica

≡ ..... corriente continua

10. No use el producto si la herramienta o los terminales de la batería (el soporte de la batería) están deformados.

Instalar tal batería podría causar un cortocircuito que podría resultar en emisiones de humo o incendios.

11. Mantenga los terminales de la herramienta (soporte de la batería) libres de virutas y polvo.

○ Antes de su uso, asegúrese de que no se han acumulado virutas ni polvo en la zona de los terminales.

○ Durante el uso, intente evitar que las virutas o el polvo de la herramienta caigan sobre la batería.

○ Al suspender la operación o tras el uso, no deje la herramienta en un área donde pueda estar expuesta a las virutas o al polvo que caen.

De lo contrario, podría causar un cortocircuito que podría resultar en emisiones de humo o incendios.

## INSTRUCCIONES IMPORTANTES DE SEGURIDAD PARA EL CARGADOR DE BATERÍAS

### ⚠ ADVERTENCIA

La utilización inadecuada del cargador de baterías puede resultar en lesiones serias o en la muerte. Para evitar estos riesgos, siga las instrucciones de seguridad ofrecidas a continuación.

### LEA TODAS LAS INSTRUCCIONES

- Este manual contiene instrucciones importantes de seguridad para el cargador de baterías modelo UC18YFSL.
- Antes de utilizar el cargador de baterías, lea todas las instrucciones y tenga en cuenta las marcas de precaución de (1) el cargador de baterías, (2) la batería, y (3) el producto que utiliza la batería.
- Para reducir el riesgo de lesiones, cargue los modelos de batería recargable de metabo HPT de la serie Multi Volt y la serie BSL18. Otros modelos de baterías podrían explotar causando lesiones y daños.
- La utilización de un accesorio no recomendado o vendido por el fabricante del cargador de baterías puede resultar en el riesgo de incendios, en descargas eléctricas, o en lesiones.
- Para reducir el riesgo de dañar el cable y el enchufe, para desconectar el cable del cargador de baterías, tire del enchufe.
- Cerciórese de que el cable quede situado donde no pueda pisarse, donde nadie pueda tropezar con él, y donde no pueda recibir daños.
- A menos que sea absolutamente necesario, no deberá utilizarse un cable prolongador. La utilización de un cable prolongador inadecuado podría resultar en el riesgo de incendios y descargas eléctricas. Cuando tenga que utilizar un cable prolongador, cerciórese de que:
  - El enchufe del cable prolongador sea igual en tamaño y forma que el del cargador de baterías;
  - El cable prolongador esté adecuadamente conectado y en buenas condiciones eléctricas; y
  - Que el calibre del cable sea suficiente para el amperaje de CA del cargador de baterías, como se especifica en la Tabla 1.

Tabla 1

### CALIBRE (AWG) MÍNIMO RECOMENDADO PARA CABLES PROLONGADORES PARA EL CARGADOR DE BATERÍAS

Amperaje nominal de entrada de CA*		Calibre (AWG) del cable			
Igual o superior a	pero inferior a	Longitud del cable, Pies (metros)			
		25 (7.5)	50 (15)	100 (30)	150 (45)
0	2	18	18	18	16
2	3	18	18	16	14
3	4	18	18	16	14

- \* Si la entrada nominal del cargador de baterías se indica en vatios en vez de amperios, el amperaje nominal correspondiente se determinará dividiendo el vataje por la tensión, por ejemplo:

$$\frac{1,250 \text{ vatios}}{125 \text{ voltios}} = 10 \text{ amperios}$$

- No utilice el cargador de baterías con un cable o un enchufe dañado. Si están dañados, reemplácelos inmediatamente.
- No utilice el cargador de baterías si ha recibido un golpe, si ha caído, o si está dañado de alguna otra forma. Llévelo a un técnico cualificado.
- No desarme el cargador de baterías. Cuando necesite reparación, llévelo a un técnico cualificado. El reensamblaje incorrecto podría resultar en el riesgo de incendios o descargas eléctricas.
- Para reducir el riesgo de descargas eléctricas, desenchufe el cargador del tomacorriente antes de intentar realizar cualquier operación de mantenimiento o de limpiarlo. La extracción de la batería no reducirá este riesgo.

## INSTRUCCIONES IMPORTANTES DE SEGURIDAD PARA LA BATERÍA Y EL CARGADOR DE BATERÍAS

Usted deberá cargar la batería antes de utilizar el atornilladores de percusión inalámbrico. Antes de utilizar el cargador de baterías modelo UC18YFSL, cerciórese de leer todas las instrucciones y precauciones del mismo, de la batería, y de este manual.

**RECUERDE: ¡UTILICE SOLAMENTE MODELOS DE BATERÍAS metabo HPT DE LA SERIE DE VOLTIO MÚLTIPLE Y DE LA SERIE BSL18! LOS DEMÁS MODELOS DE BATERÍAS PODRÍAN EXPLOTAR Y CAUSAR LESIONES!**

Para evitar el riesgo de lesiones, siga las instrucciones ofrecidas a continuación:

### **ADVERTENCIA**

**La utilización inadecuada de la batería o del cargador de baterías puede conducir a lesiones serias. Para evitar estas lesiones:**

- NUNCA** desarme la batería.
- NUNCA** incinere una batería, aunque esté dañada o completamente agotada.
- NUNCA** cortocircuite la batería.
- NUNCA** inserte ningún objeto en las ranuras de ventilación del cargador. Si lo hiciese podría recibir descargas eléctricas o dañar el cargador de baterías.
- NUNCA** cargue en exteriores. Mantenga la batería alejada de la luz solar directa, y utilícela solamente donde haya poca humedad y una buena ventilación.
- NUNCA** cargue cuando la temperatura sea inferior a 32°F (0°C) o superior a 104°F (40°C).

- NUNCA** conecte dos cargadores de baterías juntos.
- NUNCA** inserte objetos extraños en el orificio para la batería ni en el cargador de baterías.
- NUNCA** utilice un transformador elevador para cargar.
- NUNCA** utilice una fuente de alimentación de CC para cargar.
- NUNCA** almacene la batería ni el cargador de la batería en lugares en los que la temperatura pueda llegar a los 104°F (40°C) o superar dicha temperatura, como dentro de una caja metálica o un auto.
- NUNCA** exponga la batería ni el cargador de la batería a condiciones de lluvia o humedad.
- SIEMPRE** utilice el cargador con un tomacorriente (120 voltios). La utilización de un cargador con cualquier otra tensión podría hacer que éste se recalentase y dañase.
- SIEMPRE** espere 15 minutos por lo menos entre las cargas para evitar que el cargador se recaliente.
- SIEMPRE** desconecte el cable de alimentación del tomacorriente cuando no vaya a utilizar el cargador.

## ADVERTENCIA DE LA BATERÍA DE LITIO

Para ampliar su duración, la batería de litio está equipada con la función de protección para detener la salida.

En los casos 1 a 3 descritos más abajo, cuando utilice este producto, incluso si tira del interruptor, el motor puede detenerse. No es un problema, sino el resultado de la función de protección.

- Cuando la batería restante se agota, el motor se detiene. En este caso, cárguela inmediatamente.
- Si la herramienta se sobrecarga, el motor puede detenerse. En este caso, suelte el interruptor de la herramienta y elimine las causas de la sobrecarga. A continuación, puede volverla a utilizar.
- Si la batería se calienta excesivamente al realizar un trabajo de sobrecarga, la potencia de la batería podría pararse. En este caso, deje de utilizar la batería y deje que se enfríe. Posteriormente puede utilizarla de nuevo.

Asimismo, preste atención a las siguientes advertencias y precauciones.

### **ADVERTENCIA**

Para evitar fugas de la batería, generación de calor, emisión de humo, explosiones e igniciones, preste atención a las siguientes precauciones.

- Asegúrese de que no entran virutas o polvo en la batería.
- Durante el trabajo, asegúrese de que no caen virutas o polvo en la batería.
  - Asegúrese de que las virutas o el polvo que caen sobre la herramienta eléctrica durante el trabajo no entran en la batería.
  - No almacene una batería sin utilizar en un lugar expuesto a virutas y polvo.

- Antes de almacenar una batería, retire las virutas y el polvo que se haya adherido y no la almacene junto a piezas metálicas (tornillos, clavos, etc.).
- 2. No agujeree la batería con un objeto afilado como un clavo, no la golpee con un martillo, la pise, la tire o la exponga a fuertes impactos físicos.
- 3. No utilice una batería que pudiera estar dañada o deformada.
- 4. No utilice la batería para un fin diferente a los especificados.
- 5. Si la carga de la batería no finaliza incluso cuando ha transcurrido un determinado tiempo de recarga, detenga inmediatamente la recarga.
- 6. No coloque o exponga la batería a temperaturas elevadas o alta presión como en un microondas, una secadora o un contenedor de gran presión.
- 7. Aléjela del fuego inmediatamente cuando se detecte una fuga o un olor raro.
- 8. No la utilice en un lugar donde se genere gran electricidad estática.
- 9. Si hay una fuga de la batería, mal olor, se genera color, está descolorida o deformada, o de algún modo funciona de forma anormal durante su utilización, recarga o almacenamiento, retírela inmediatamente del equipo o del cargador de la batería y detenga su utilización.
- 10. No sumerja la batería ni permita que fluidos entren en ella. La entrada de líquidos conductores, como el agua, puede provocar daños que resulten en incendios o explosiones. Guarde la batería en un lugar fresco y seco, alejado de los materiales combustibles e inflamables. Las atmósferas con gases corrosivos deben ser evitadas.

### ⚠ PRECAUCIÓN

1. Si el líquido de fuga de la batería entra en contacto con los ojos, no se los frote y lávelos bien con agua limpia como, por ejemplo, agua del grifo y póngase en contacto con un médico inmediatamente. Si no se trata, el líquido podría causar problemas de visión.
2. Si el líquido de fuga entra en contacto con la piel o la ropa, lávela bien con agua limpia como, por ejemplo, agua del grifo inmediatamente. Podría producir irritación de la piel.
3. Si observa óxido, mal olor, recalentamiento, decoloración, deformación y/u otras irregularidades al utilizar la batería por primera vez, no la utilice y devuélvasela a su proveedor o distribuidor.

### ⚠ ADVERTENCIA

Si un objeto extraño conductor de electricidad entra en los terminales de la batería de litio, podría producirse un cortocircuito, resultando en un riesgo de incendio. Por favor, respete los siguientes consejos cuando almacene la batería.

- **No coloque cortes conductivos, clavos, cables de acero, cables de cobre u otros cables en la caja de almacenamiento.**
- **Instale el paquete de baterías en la herramienta eléctrica o almacénelo presionando la tapa de baterías hasta que se oculten los orificios de ventilación para evitar cortocircuitos. (Ver Fig. 3)**

### A PROPÓSITO DEL TRANSPORTE DE LA BATERÍA DE IONES DE LITIO

Al transportar una batería de iones de litio, tenga en cuenta las siguientes precauciones.

### ⚠ ADVERTENCIA

**Notifique a la compañía de transporte que un paquete contiene una batería de iones de litio, informe a la compañía eléctrica de su potencia de salida y siga las instrucciones de la compañía de transporte al preparar su transporte.**

- **Las baterías de iones de litio que superen una potencia de salida de 100 Wh se considera que son materiales peligrosos en la Clasificación de Transporte y requieren procedimientos de aplicación especiales.**
- **Para el transporte en el extranjero, deberá cumplir con las leyes internacionales y las normas y regulaciones del país de destino.**

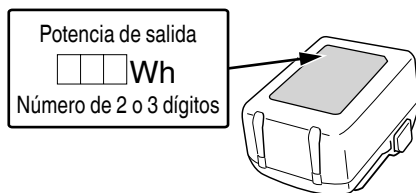


Fig. 1

**¡GUARDE ESTAS INSTRUCCIONES  
Y  
PÓNGALAS A DISPOSICIÓN DE OTROS USUARIOS  
Y  
PROPIETARIOS DE ESTA HERRAMIENTA!**

## DESCRIPCIÓN FUNCIONAL

### NOTA

La información contenida en este Manual de instrucciones ha sido diseñada para ayudarle a utilizar con seguridad y mantener esta herramienta eléctrica.

**NUNCA** haga funcionar ni efectúe el mantenimiento de la herramienta antes de leer y comprender todas las instrucciones de seguridad contenidas en este manual.

Algunas ilustraciones de este Manual de Instrucciones pueden mostrar detalles o accesorios diferentes a los de la propia herramienta eléctrica.

### NOMENCLATURA

1. Pistola de calor inalámbrica

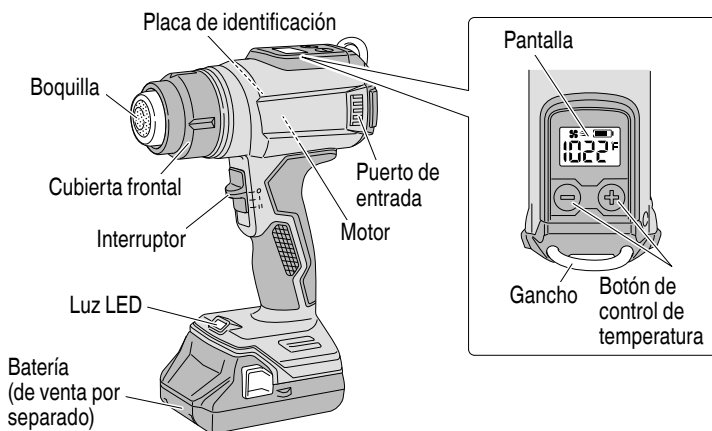
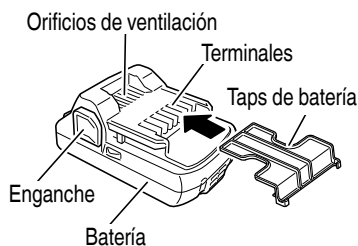


Fig. 2

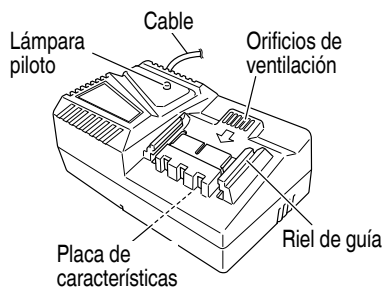
2. Batería (accesorios opcionales...de venta por separado)



<BSL1830C>

Fig. 3

3. Cargador de baterías (accesorios opcionales...de venta por separado)



<UC18YFSL>

Fig. 4

**ESPECIFICACIONES**

## 1. Pistola de calor inalámbrica

Modelo		RH18DA
Motor		Motor DC
Capacidad	Temperatura del aire	set I: 86 – 752°F (30 – 400°C) set II: 86 – 1,022°F (30 – 550°C)
	Volumen de aire	set I: 7.1 CFM (200 L/min) set II: 10.6 CFM (300 L/min)
Batería*	Tipo	Batería de Li-ion modelo BSL1830C
	Tensión	CC 18 V
Peso		2.2 lbs (1.0 kg) (BSL1830C instalada)

\* Cuando se utilizan 14,4 V (serie BSL14xx), el volumen de aire/temperatura y el indicador de batería restante no realizan las funciones especificadas.

## 2. Cargador de baterías

Modelo	UC18YFSL
Fuente de alimentación de entrada	Monofásica: AC 120 V 60 Hz
Tiempo de carga (A una temperatura de 68°F (20°C))	BSL1830: Aprox. 45 min
Tensión de carga	14.4 V–18 V CC
Corriente de carga	CC 3.5 A
Peso	1.1 lbs. (0.5 kg)

**NOTA:** El tiempo de carga pueda variar de acuerdo con la temperatura y la tensión de la fuente de alimentación.



# MONTAJE Y OPERACIÓN

## APLICACIONES

Respete las normas de seguridad y utilice los accesorios especificados por metabo HPT. Esta pistola de calor inalámbrica es adecuada para todos los usos con aire caliente mencionados en este manual de instrucciones de uso.

### Usos

- Contracción de tuberías termocontraíbles, conectores de soldaduras y terminales de soldaduras, embalajes y componentes eléctricos.
- Deformación de artículos fabricados de acrílico, PVC y poliestireno, tuberías, placas y perfiles, además de maderas húmedas.
- Soldadura de polímero termoplástico, materiales para pisos de PVC y linóleo, telas cubiertas en PVC, lonas y láminas de metal.
- Soldadura de estaño, soldadura de plata especial, elementos SMD, orejetas de cable, y para aflojar conexiones soldadas.
- Eliminación de pintura: eliminación de pintura al aceite vieja o incluso de gruesas capas de pintura al aceite, barniz y yeso sintético.
- Secado de muestras de tonos de colores, filtros, adhesivos, juntas de construcción y moldes de estuco.
- Unión de pegamentos: encolado de superficies grandes con adhesivos de contacto, activación de adhesivos sensibles a la presión, aceleración de procesos de adherencia, liberación de puntos de adherencia, además de para despegar o adherir bordes de unión o revestimientos.
- Descongelamiento de escaleras o escalones, cerraduras, tapas de maleteros, puertas de autos o cañerías de agua, además de para descongelar refrigeradores y congeladores.
- Desinfección: con aire caliente a 1,022°F (550°C), puede eliminar bacterias de chiqueros/establos. Se puede controlar la plaga de carcomas. (Precaución: ¡Peligro de incendio! No caliente la superficie de madera excesivamente).

## INSTALACIÓN Y EXTRACCIÓN DE LA BATERÍA

- Forma de instalar la batería. Alinee la batería con la ranura de la herramienta y deslicela para colocarla en su sitio. Insértela siempre completamente hasta que se encuentre cerca (Fig. 5).
- Forma de extraer la batería. Retire la batería de la herramienta mientras presiona el cerrojo (2 unidades) de la batería (Fig. 5).

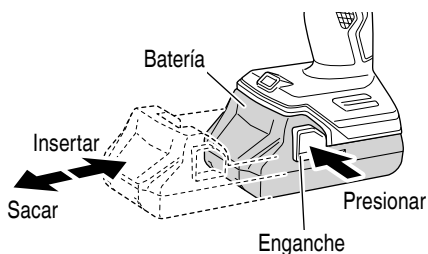


Fig. 5

## MÉTODO DE CARGA

### NOTA

Antes de enchufar el cargador en un tomacorriente, tenga en cuenta los puntos siguientes.

- La tensión de la fuente de alimentación está indicada en la placa de características.
- El cable no deberá estar dañado.

### ⚠ ADVERTENCIA

**No cargue con una tensión superior a la indicada en la placa de características.**

**Si cargase con una tensión superior a la indicada en la placa de características, el cargador se quemaría.**

1. Conecte el cable de alimentación del cargador a una toma. Cuando el cable de alimentación esté conectado, el testigo indicador de carga parpadeará en color rojo. (A intervalos de 1 segundo)



### ⚠ ADVERTENCIA

**No utilice el cargador si su cable está dañado. Haga que se lo reparen inmediatamente.**

2. Inserte la batería en el cargador de baterías.  
 Inserte la batería en el cargador de baterías como muestra en la Fig. 6.

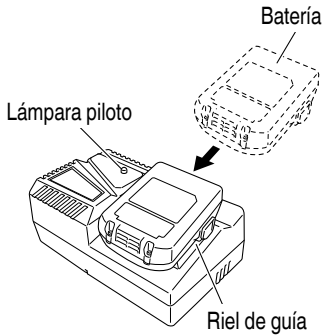


Fig. 6

3. Carga  
 Cuando inserte una batería en el cargador, la lámpara piloto permanecerá encendida en rojo.  
 Cuando la batería se haya cargado completamente, la lámpara piloto parpadeará en rojo. (A intervalos de 1 segundo). (Consulte la Tabla 2).

- (1) Indicaciones de la lámpara  
 Las indicaciones de la lámpara piloto serán tal y como se muestran en la Tabla 2, de acuerdo con la condición del cargador de baterías o de la batería.

Tabla 2

Indicaciones de la lámpara indicadora					
Lámpara piloto (rojo)	Antes de la carga	Parpadeo	Se encenderá durante 0.5 segundos. No se encenderá durante 0.5 segundos. (Apagada durante 0.5 segundos)	/	
	Durante la carga	Iluminación	Iluminación permanente		
	Carga completa	Parpadeo	Se encenderá durante 0.5 segundos. No se encenderá durante 0.5 segundos. (Apagada durante 0.5 segundos)		
	Espera por recalentamiento	Parpadeo	Se encenderá durante 1 segundo. No se encenderá durante 0.5 segundos. (Apagada durante 0.5 segundos)		Batería recalentada. No puede cargarse (la carga comenzará cuando la batería se enfríe).
	Carga imposible	Destello	Se encenderá durante 0.1 segundos. No se encenderá durante 0.1 segundos. (Apagada durante 0.1 segundos)		Mal funcionamiento de la batería o del cargador

- (2) Temperatura de las baterías.  
 La temperatura de las baterías se muestra en la Tabla 3, y las baterías que se hayan calentado deberán dejarse enfriar durante cierto tiempo antes de cargarlas.

Tabla 3

Baterías	Temperatura con la que podrá cargarse la batería
BSL1830C	32°F-122°F (0°C-50°C)

- (3) Tiempo de carga (A 68°F (20°C))

Tabla 4 Tiempo de carga

Batería	Cargador	UC18YFSL
BSL1830C		Aprox. 45 min

**NOTA**

El tiempo de recarga puede variar de acuerdo con la temperatura ambiental.

- Desconecte el cargador de baterías del tomacorriente.

### ⚠ PRECAUCIÓN

No desconecte el cable del tomacorriente tirando del mismo.

Cerciórese de tirar del enchufe para desconectarlo del tomacorriente a fin de evitar dañar el cable.

- Extraiga la batería del cargador de baterías. Sujutando el cargador de baterías con una mano, extraiga la batería del mismo.

### NOTA

Asegúrese de extraer la batería del cargador de baterías después del uso, y guárdela después.

### Descarga eléctrica en caso de baterías nuevas, etc.

Como la substancia química interna de las baterías nuevas o las que no se hayan utilizado durante mucho tiempo no está activada, la descarga eléctrica puede ser inferior cuando se utilicen por primera y segunda vez. Este fenómeno es temporal, y el tiempo normal requerido para la recarga se restablecerá recargando las baterías 2-3 veces.

### Forma de hacer que las baterías duren más

- Recargue las baterías antes de que se hayan agotado completamente. Si siente que la potencia de la herramienta eléctrica se debilita, deje de utilizarla y recargue su batería. Si continuase utilizando la herramienta hasta agotar la capacidad de la batería, ésta podría dañarse y su duración útil podría acortarse.
- Evite realizar la recarga a altas temperaturas. Una batería se calentará inmediatamente después de haberla utilizado. Si recargase tal batería inmediatamente después de haberla utilizado, su substancia química interna se deterioraría, y la duración útil de la batería se acortaría. Deje la batería y recárguela después de que se haya enfriado durante cierto tiempo.

### ⚠ PRECAUCIÓN

- Si utiliza continuamente el cargador de baterías, éste se calentará, lo que puede causar averías. Después de haber finalizado la carga, espere 15 minutos antes de realizar la carga siguiente.
- Si carga la batería mientras esté caliente por haber estado mucho tiempo en un lugar sometido a la luz solar directa, o por haber acabado de utilizarla, la lámpara de piloto del cargador parpadea durante 1 segundo y no se enciende durante 0.5 segundos (apagada durante 0.5 segundos). La batería no se cargará. En tal caso, deje que la batería se enfríe antes de cargarla.

- Cuando la lámpara piloto destelle (a intervalos de 0.2 segundos), realice una comprobación y extraiga los objetos extraños de la batería del cargador. Si no hay ningún objeto extraño, es posible que la batería o el cargador funcione mal. Llévelos a un agente de servicio técnico autorizado.

### ANTES DE LA OPERACIÓN

#### ⚠ PRECAUCIÓN

Para evitar accidentes serios, cerciórese de que el interruptor esté abierto (OFF) (O), y extraiga la batería.

- Compruebe el entorno del área de trabajo. Compruebe el área de trabajo para asegurarse de que esté libre de desperdicios y obstáculos. Compruebe que en el área no haya personal innecesario. Cerciórese de que la iluminación y la ventilación sean adecuadas.
- Interruptor de alimentación. Cerciórese de que el interruptor de alimentación esté en la posición OFF (O).
- Colocación y extracción de la boquilla

#### ⚠ PRECAUCIÓN

La boquilla estará extremadamente caliente después de su uso. No la toque.

Reemplace la boquilla en función del trabajo que deba realizar. Introduzca con firmeza la boquilla en la cubierta frontal lo máximo posible. (Fig. 7)

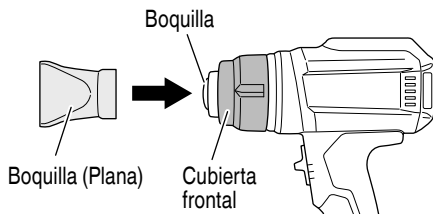


Fig. 7

Puede extraer la boquilla sin tocarla girando la cubierta frontal en sentido contrario a las agujas del reloj. (Fig. 8)

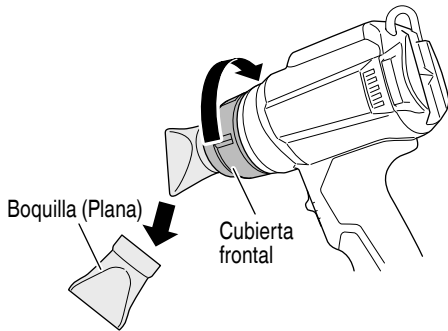


Fig. 8

## NOTA

- Tenga cuidado de no extraer la boquilla mientras realiza el trabajo.
- Al extraerla, tenga cuidado de no dañar los alrededores o la boquilla.

## ⚠ PRECAUCIÓN

- Antes de colocar una boquilla, deje que la unidad se enfríe por completo o utilice una herramienta apropiada.
- Una boquilla caliente puede prender fuego a una superficie. Coloque las boquillas calientes solo sobre superficies ignífugas.
- Una boquilla incorrecta o defectuosa puede llevar a una acumulación de calor y dañar la unidad. Utilice solo boquillas especificadas por metabo HPT para la unidad, de acuerdo con la tabla.

4. Utilización del gancho (Fig. 9)

## ⚠ PRECAUCIÓN

- Si la boquilla está caliente, no la cuelgue para transportarla.
- El gancho está detrás del cabezal. Utilícelo tirando hacia arriba de la parte superior y luego girando el extremo del gancho

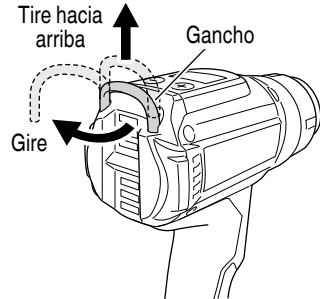


Fig. 9

5. Compruebe la batería insertada

## ⚠ PRECAUCIÓN

Inserte la batería hasta que encaje en su lugar con un ligero chasquido, ya que de lo contrario podría caerse accidentalmente de la herramienta y causar lesiones.

## OPERACIÓN

## ⚠ ADVERTENCIA

Asegúrese de apagar el interruptor, y luego extraiga la batería de la herramienta en las siguientes situaciones:

- Cuando se detenga o finalice el trabajo
- Cuando coloque o extraiga una boquilla

## ⚠ PRECAUCIÓN

Para ampliar su duración, la batería de litio está equipada con la función de protección para detener la salida. Por lo tanto, si se sobrecarga la batería, el motor puede detenerse. No obstante, esto no es un problema, sino el resultado de la función de protección. En este caso, suelte el interruptor de la herramienta y elimine las causas de la sobrecarga.

- Operaciones del interruptor y ajustes de la temperatura  
Deslice el interruptor hacia abajo para seleccionar entre dos niveles de volumen de aire, [set I] y [set II]. (Fig. 10-a)

Al presionar el botón de control de temperatura, puede ajustar la temperatura en incrementos de 8°F (10°C) dentro del rango de la Tabla 5 para cada set. La temperatura ajustada se muestra en la pantalla LCD <Pantalla>. (Fig. 10-b)

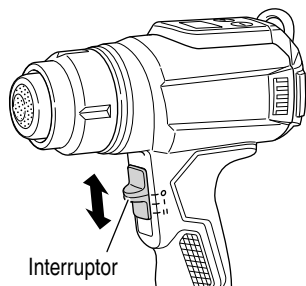


Fig. 10-a

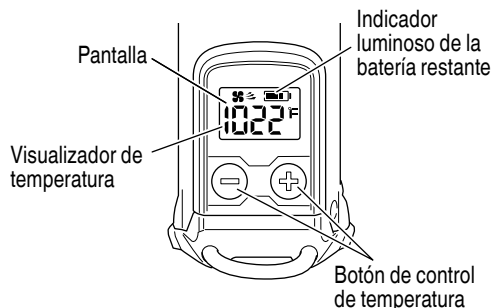


Fig. 10-b

Tabla 5

	Temperatura	Volumen de aire
set I	86 - 752°F (30 - 400°C)	7.1 CFM (200 L/min)
set II	86 - 1,022°F (30 - 550°C)	10.6 CFM (300 L/min)

**NOTA**

- Puede haber una diferencia entre la temperatura que se muestra y la temperatura real.
- Mantenga pulsados los botones de control de temperatura + y - al mismo tiempo para cambiar entre Fahrenheit (°F) y Celsius (°C).

- Acerca del indicador de batería restante  
El nivel de batería restante también se muestra en la pantalla LCD <Pantalla>.

Tabla 6

Estado de la lámpara	Carga de batería restante
▣ ▣ ▣ ▣ ▣	Más del 70%
▣ ▣ ▣ ▣ ▣	55%–70%
▣ ▣ ▣ ▣ ▣	35%–55%
▣ ▣ ▣ ▣ ▣	20%–35%
▣ ▣ ▣ ▣ ▣	Menos del 20%

Dado que el indicador de batería restante muestra resultados ligeramente diferentes según la temperatura ambiental y las características de la batería, utilice su lectura como referencia.

**NOTA**

- Cuando utilice una batería con un indicador de batería restante, consulte el indicador luminoso de la batería para conocer la carga restante de esta.
  - No golpee con fuerza ni rompa el panel de la pantalla. Pueden producirse problemas.
- Cómo usar la luz LED (Fig. 11)  
La luz LED iluminará el área de la punta de la herramienta cuando el interruptor esté encendido. La luz LED se apagará automáticamente cuando el interruptor esté apagado.

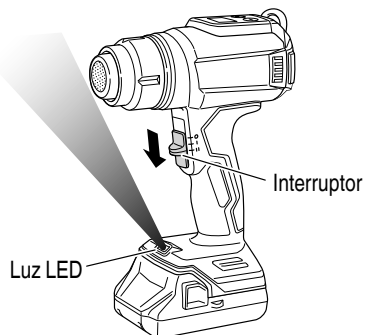


Fig. 11

**⚠ PRECAUCIÓN**

- No exponga los ojos directamente a la luz; evite mirar hacia ella directamente.  
Si los ojos están expuestos de manera continua a la luz, pueden resultar lesionados.
- Limpie cualquier resto de polvo o suciedad enganchado al objetivo de la luz LED con un paño suave, procurando no rayar la lente.  
Los arañazos en la lente de la luz LED pueden resultar en una reducción de brillo.

4. Ajustes de temperatura

**⚠ ADVERTENCIA**

- No utilice la herramienta cerca de sustancias volátiles (disolvente, gasolina, etc.)
- No acerque la boquilla a las manos o a la cara cuando la esté utilizando.  
La boquilla estará extremadamente caliente después de su uso. No la toque.

Ajuste la temperatura en función del objeto que vaya a calentar.

Asimismo, preste atención al material de alrededor que se calentará al mismo tiempo.

En primer lugar, aplique aire caliente de lejos y compruebe que no haya ningún cambio en el objeto que se está calentando. A continuación, acérquelo hasta que alcance una distancia adecuada.

**Calentamiento de sustancias inflamables**  
(papel, madera, plástico, etc.)

Ajuste el interruptor a la posición [set I] y aplique el calor con la boquilla a 4" (10 cm), como mínimo, del objeto que se esté calentando.

Mueva suavemente el extremo de la boquilla hacia arriba, hacia abajo, hacia la izquierda y hacia la derecha para aplicar el calor.

Si se aplica calor constantemente en un lugar podrían producirse malformaciones o humo.

**Calentamiento de sustancias no inflamables**  
(metal, piedra, hormigón, etc.)

Ajuste el interruptor a la posición [set I] y, si no hay ningún problema, desplácelo a la posición [set II].

Aplique el calor con la boquilla a 2" (5 cm) por lo menos del objeto que se esté calentando.

Si se mantiene la boquilla demasiado cerca, la herramienta podría recalentarse y causar fallas.

5. Trabajar con la herramienta apuntando hacia arriba

**⚠ PRECAUCIÓN**

- Cuando trabaje con la herramienta dirigida hacia arriba, colóquela sobre una superficie estable.

Cuando trabaje con ambas manos, como por ejemplo al doblar una tubería, puede apoyar la pistola de calor y utilizarla con el lado de la boquilla hacia arriba.

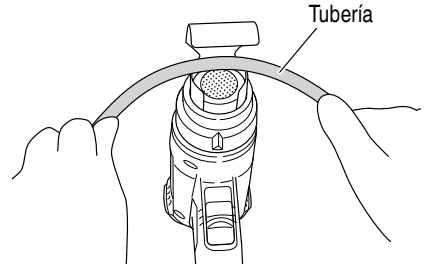


Fig. 12

**EJEMPLO DE TRABAJO**

**⚠ PRECAUCIÓN**

Las piezas de la boquilla suministrada están afiladas. Utilice guantes cuando las extraiga de la funda y cuando las instale o desinstale.

Seleccione la boquilla teniendo en cuenta la forma del objeto que vaya a calentarse y la zona que vaya a calentarse.

1. Levantamiento de pintura (Fig. 13)

Utilice una boquilla (plana) o una boquilla (redonda) para reblandecer la pintura con el aire caliente y, a continuación, retírela con el raspador.

Observe que un calentamiento excesivo de la pintura podría hacer que ésta se quemara o se endurezca, dificultando su raspado.

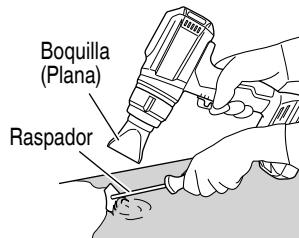


Fig. 13

## 2. Reblandecimiento del adhesivo (Fig. 14)

Utilice una boquilla (plana) o una boquilla redonda para reblandecer la superficie y facilitar su desprendimiento y, a continuación, tire de uno de los bordes, aplique calor por debajo y levántelo suavemente para que no se quede ninguna parte del adhesivo.

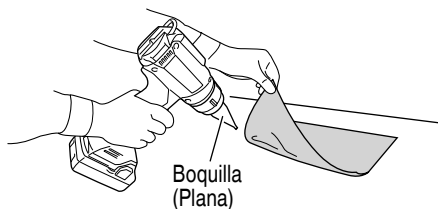


Fig. 14

## 3. Envoltura de calor (Fig. 15)

Utilice la boquilla (plana) para calentar plástico termorretráctil y tubos. El material cambiará de color o se agrietará si se aplica aire caliente encima desde una distancia próxima. Mantenga una distancia adecuada mientras controla el progreso.



Fig. 15

## 4. Formación de tubos de resina (Fig. 16)

Utilice una boquilla (superficie curva) para calentar uniformemente la circunferencia del tubo de resina. Para evitar que el interior del tubo se estreche cuando lo doble, vierta arena adentro, bloquee ambos extremos y dóblelo con suavidad.

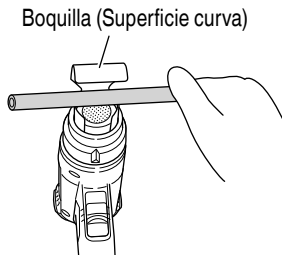


Fig. 16

## 5. Descongelación de tubos de agua (Fig. 17)

Utilice la boquilla (superficie curva) para calentar la zona congelada desde el borde hasta el centro. No confunda los tubos de agua con los tubos de cristal. Evite dañar las zonas de resina congeladas de los tubos de agua.

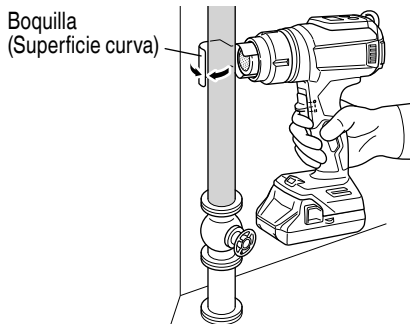


Fig. 17




**SEÑALES DE ADVERTENCIA**

Este producto dispone de funciones que han sido diseñadas para proteger la herramienta, así como la batería.

Si alguna de las funciones de protección se activa durante el trabajo, la luz LED y el visualizador de temperatura parpadearán durante unos segundos, como se describe en la Tabla 7.

Cuando se active cualquiera de las funciones de protección, inmediatamente apague el interruptor y siga las instrucciones descritas, según acción correctiva.

Tabla 7

Función de protección	Visualización de luz LED	Pantalla	Acción correctiva
Protección de sobrecarga	Encendido		Elimine la causa de la sobrecarga.
Protección de temperatura	0.5 s / apagado 0.5 s 		Deje que la herramienta y la batería se enfrien por completo.



# MANTENIMIENTO E INSPECCIÓN

## ⚠️ ADVERTENCIA

- **Asegúrese de apagar el interruptor y extraiga la batería antes de realizar cualquier inspección o mantenimiento.**
- **Inspeccione y limpie la boquilla cuando esté fría.**

1. Comprobación de los tornillos  
Los tornillos son peligrosos. Inspeccione los regularmente y cerciórese de que estén bien apretados.

## ⚠️ PRECAUCIÓN

**La utilización de una herramienta eléctrica con tornillos flojos es extremadamente peligrosa.**

2. Comprobación del polvo  
El polvo podrá eliminarse con un paño suave y seco o ligeramente humedecido en agua jabonosa.  
No utilice lejía, cloro, gasolina, ni diluidor de pintura, porque podrían dañar el plástico.  
Para un funcionamiento seguro y eficiente, siempre mantenga la unidad y sus ranuras de ventilación limpias.
3. Inspección de los terminales (herramienta y batería)  
Compruebe para asegurarse de que no se han acumulado virutas ni polvo en los terminales.  
En ocasiones verifique antes, durante y después de la operación.

## ⚠️ PRECAUCIÓN

**Retire las virutas o el polvo que pudiera haberse acumulado en los terminales.  
De lo contrario puede producirse un fallo en el funcionamiento.**

4. Eliminación de las baterías agotadas

## ⚠️ ADVERTENCIA

**No tire las baterías agotadas. Las baterías pueden explotar si se incineran. El producto que ha adquirido contiene una batería. La batería es reciclable. Cuando se agote su duración útil, de acuerdo con las leyes estatales y locales, puede ser ilegal tirar esta batería a la basura. Solicite a las autoridades locales los detalles sobre las opciones de reciclado o de la forma de deshacerse apropiadamente de la batería.**

5. Almacenamiento  
Guarde la herramienta en un lugar con menos de 104°F (40°C) y fuera del alcance de niños.

## NOTA

Almacenar baterías de ion-litio  
Compruebe que las baterías de ion-litio se han cargado completamente antes de almacenarlas.  
Un almacenamiento prolongado de las baterías (3 meses o más) con carga baja podría deteriorar su funcionamiento, reduciendo en gran medida el tiempo de uso de la batería o haciendo que las baterías no puedan mantener una carga.  
No obstante, la reducción en gran medida del tiempo de uso de la batería puede recuperarse si se carga y utiliza de dos a cinco veces.  
Si el tiempo de uso de la batería es extremadamente corto a pesar de haber cargado y utilizado la batería varias veces, deberá considerarla agotada y comprar una nueva.

6. Mantenimiento y reparación  
Todas las herramientas eléctricas de calidad requieren de vez en cuando el servicio de mantenimiento o el reemplazo de piezas debido al desgaste producido durante la utilización normal.  
Para asegurarse de que solamente se utilicen piezas de reemplazo autorizadas, todos los servicios de mantenimiento y reparación deberán realizarse **SOLAMENTE EN UN CENTRO DE REPARACIONES AUTORIZADO POR metabo HPT.**

## ⚠️ PRECAUCIÓN

**En el manejo y el mantenimiento de las herramientas eléctricas, se deberán observar las normas y reglamentos vigentes en cada país.**

### **Aviso importante sobre las pilas de las herramientas inalámbricas de metabo HPT**

Utilice siempre una de nuestras pilas genuinas. No podemos garantizar la seguridad y el funcionamiento de nuestra herramienta eléctrica inalámbrica cuando se utiliza con pilas diferentes a las indicadas por nosotros o cuando la pila se desmonta y modifica (como cuando se desmontan y sustituyen celdas u otras piezas internas).

## GUIA DE IDENTIFICACION DE PROBLEMAS

### ⚠ ADVERTENCIA

- Para evitar sufrir lesiones debido a un arranque accidental, ponga el interruptor en la posición OFF (apagado) y retire el enchufe de la lijadora de la fuente de alimentación antes de hacer cualquier ajuste.
- Todas las reparaciones eléctricas o mecánicas deberán ser realizadas únicamente por técnicos de servicio calificados. Póngase en contacto con un Centro de Servicio Autorizado de metabo HPT.

#### 1. Herramienta eléctrica

Síntoma	Posible causa	Solución
La herramienta no funciona	No queda carga en la batería.	Cargue la batería.
	El interruptor estuvo en una posición entre I y OFF (apagado) (O) durante cierto tiempo.	Coloque el interruptor en la posición OFF (apagado) (O) una vez, antes de moverlo.
Saldrá humo blanco	Durante su primer uso, los aceites del material aislante del calor pueden vaporizarse debido al calentamiento y producir una pequeña cantidad de humo blanco.	El humo dejará de salir después de unos minutos de uso continuo.
La herramienta se detiene repentinamente	La batería se ha sobrecalentado.	Deje que la batería se enfríe.
No se puede instalar la batería	Intentar instalar otra batería que no sea la especificada para la herramienta.	Instale una batería de tipo voltio múltiple o de la serie BSL18xx.

#### 2. Cargador

Problema	Posible Causa	Posible Solución
El testigo indicador de carga está parpadeando en púrpura rápidamente y la carga de la batería no comienza.	La batería no está insertada por completo.	Inserte la batería con firmeza.
	Hay materia extraña en el terminal de la batería o donde la batería está acoplada.	Quite la materia extraña.
El testigo indicador de carga parpadea en rojo y la batería no se carga.	La batería no está insertada por completo.	Inserte la batería con firmeza.
	La batería se ha sobrecalentado.	Si se deja así, la batería comenzará a cargarse automáticamente si su temperatura disminuye, pero esto podría reducir su vida útil. Se recomienda dejar enfriar la batería en un lugar bien ventilado alejado de la luz solar directa antes de cargarla.
El tiempo de uso de la batería es corto aunque esté totalmente cargada.	La batería se ha agotado.	Sustituya la batería por una nueva.

Problema	Posible Causa	Posible Solución
La batería tarda mucho tiempo en cargarse.	La temperatura de la batería, el cargador o los alrededores es extremadamente baja.	Cargue la batería en el interior o en otro lugar más cálido.
	Las rejillas del cargador están bloqueadas provocando el sobrecalentamiento de los componentes internos.	Evite bloquear las rejillas.
	El ventilador de enfriamiento no está funcionando.	Contacte con un Centro de reparaciones autorizado por metabo HPT para las reparaciones.
El indicador luminoso de alimentación USB se ha apagado y el dispositivo USB ha detenido la carga.	La capacidad de la batería es baja.	Sustituya la batería por una que tenga capacidad.
		Enchufe la toma de corriente del cargador a una toma eléctrica.
El indicador luminoso de alimentación USB no se apaga aunque el dispositivo USB ha finalizado el proceso de carga.	El indicador luminoso de alimentación USB se ilumina en verde para indicar que es posible realizar la carga USB.	Esto no es un fallo de funcionamiento.
No está claro cuál es el estado de carga de un dispositivo USB, o si la carga se ha completado.	El indicador luminoso de alimentación USB no se apaga aunque la carga se ha completado.	Examine el dispositivo USB que se está cargando para comprobar su estado de carga.
La carga de un dispositivo USB se para a la mitad.	El cargador se conectó a una toma eléctrica mientras el dispositivo USB se estaba cargando utilizando la batería como fuente de alimentación.	Esto no es un fallo de funcionamiento. El cargador pausa la carga USB durante unos 5 segundos cuando diferencia entre fuentes de alimentación.
	Se insertó una batería en el cargador mientras el dispositivo USB se estaba cargando utilizando una toma de corriente como fuente de alimentación.	
La carga del dispositivo USB se pausa a la mitad cuando la batería y el dispositivo USB se están cargando al mismo tiempo.	La batería se ha cargado por completo.	Esto no es un fallo de funcionamiento. El cargador pausa la carga USB durante unos 5 segundos mientras comprueba si la batería ha completado la carga.
La carga del dispositivo USB no se inicia cuando la batería y el dispositivo USB se están cargando al mismo tiempo.	La capacidad de batería restante es extremadamente baja.	Esto no es un fallo de funcionamiento. Cuando la capacidad de la batería alcanza un determinado nivel, la carga USB comienza automáticamente.

## ACCESORIOS

### ⚠ ADVERTENCIA

UTILICE únicamente repuestos y accesorios autorizados por metabo HPT. No utilice nunca repuestos o accesorios no previstos para usar con esta herramienta. Si tiene dudas en cuanto a la seguridad de usar determinado repuesto o accesorio junto con su herramienta, póngase en contacto con metabo HPT. La utilización de otros accesorios puede resultar peligrosa y causar lesiones o daños mecánicos.

### NOTA

Las especificaciones están sujetas a cambio sin ninguna obligación por parte de metabo HPT.

### ACCESORIOS ESTÁNDAR

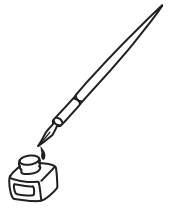
(1) Boquilla (redonda).....	1
(2) Boquilla (plana) .....	1
(3) Boquilla (superficie curva).....	1

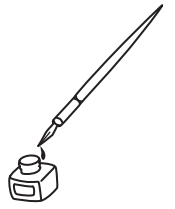
### ACCESORIOS OPCIONALES.....de venta por separado

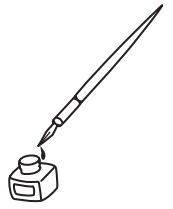
- Batería (BSL1830C)
- Cargador de baterías (UC18YFSL)

### NOTA

Las especificaciones están sujetas a cambio sin ninguna obligación por parte de metabo HPT.







## WARNING:

Some dust created by power sanding, sawing, grinding, drilling, and other construction activities contains chemicals known to the State of California to cause cancer, birth defects or other reproductive harm. Some examples of these chemicals are:

- Lead from lead-based paints,
- Crystalline silica from bricks and cement and other masonry products, and
- Arsenic and chromium from chemically-treated lumber.

Your risk from these exposures varies, depending on how often you do this type of work. To reduce your exposure to these chemicals: work in a well ventilated area, and work with approved safety equipment, such as those dust masks that are specially designed to filter out microscopic particles.

## AVERTISSEMENT:

La poussière résultant d'un ponçage, d'un sciage, d'un meulage, d'un perçage ou de toute autre activité de construction renferme des produits chimiques qui sont connus par l'Etat de Californie pour causer des cancers, des défauts de naissance et autres anomalies de reproduction. Nous énumérons ci-dessus certains de ces produits chimiques:

- Plomb des peintres à base de plomb,
- Silice cristalline des briques et du ciment et autres matériaux de maçonnerie, et
- Arsenic et chrome du bois d'oeuvre traité chimiquement.

Le risque d'exposition à ces substances varie en fonction de la fréquence d'exécution de ce genre de travail. Pour réduire l'exposition à ces produits chimiques, travailler dans un lieu bien ventilé, et porter un équipement de protection agréé, par exemple un masque anti-poussière spécialement conçu pour filter les particules microscopiques.

## ADVERTENCIA:

Algunos polvos creados por el lijado mecánico, el aserrado, el esmerilado, el taladrado y otras actividades de construcción contienen sustancias químicas conocidas por le Estado de California como agentes cancerígenos, defectos congénitos y otros daños reproductores. Algunos ejemplos de estas sustancias químicas son:

- El plomo de las pinturas a base de plomo,
- El sílice cristalino de los ladrillos y cemento y otros productos de mampostería, y
- El arsénico y el cromo de la madera tratada químicamente.

El riesgo resultante de la exposición varía según la frecuencia con que se realiza este tipo de trabajo. Para reducir la exposición a esta sustancias químicas: trabaje en un lugar bien ventilado y realice el trabajo utilizando el equipamiento apropiado, tal como las máscaras para el polvo especialmente diseñados para eliminar las partículas minúsculas.



Please contact Koki Holdings America Ltd. at 1-800-59-TOOLS (toll free), or metabo HPT AUTHORIZED POWER TOOL SERVICE CENTER regarding COLLECTION.

Pour le RAMASSAGE, contacter Koki Holdings America Ltd. au 1-800-59-TOOLS (appel gratuit), ou UN SERVICE APRÈS-VENTE D'OUTILS ÉLECTRIQUE AGRÉÉ PAR metabo HPT.

Con respecto a la RECOLECCIÓN de baterías, póngase en contacto con Koki Holdings America Ltd. número 1-800-59-TOOLS (llamada gratis), o con metabo HPT AUTHORIZED POWER TOOL SERVICE CENTER.

Issued by

# Koki Holdings Co., Ltd.

Shinagawa Intercity Tower A, 15-1, Konan 2-chome,  
Minato-ku, Tokyo 108-6020, Japan

Distributed by

# Koki Holdings America Ltd.

1111 Broadway Ave,  
Braselton, Georgia, 30517

# Koki Holdings America Ltd. Canadian Branch

3405 American Drive, Units 9-10,  
Mississauga, ON, L4V 1T6