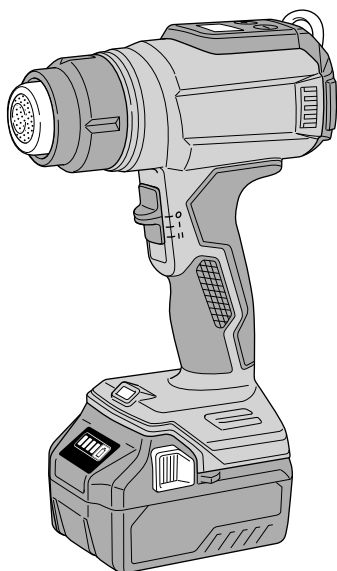
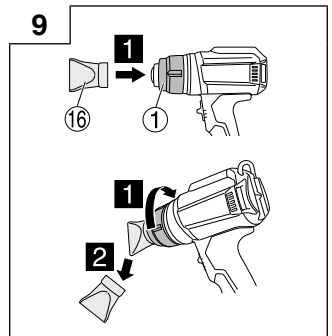
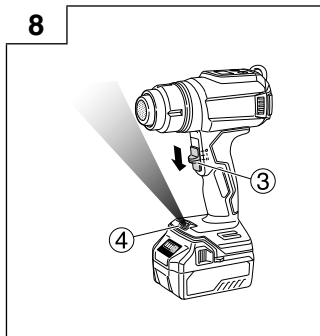
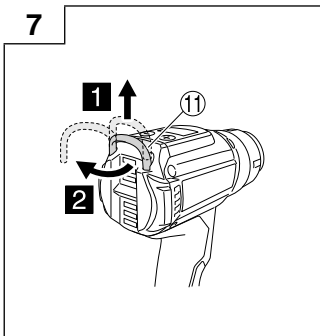
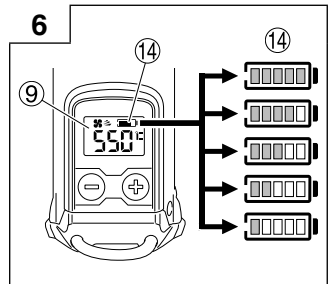
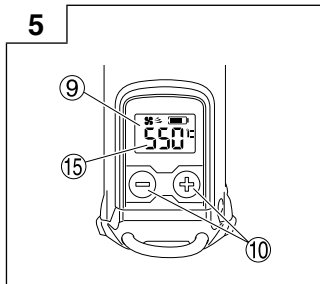
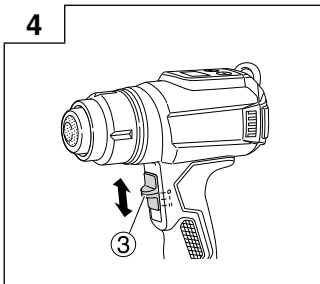
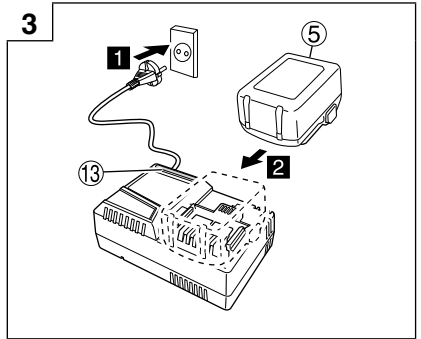
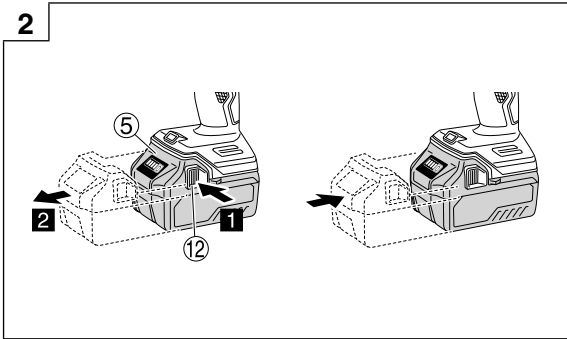
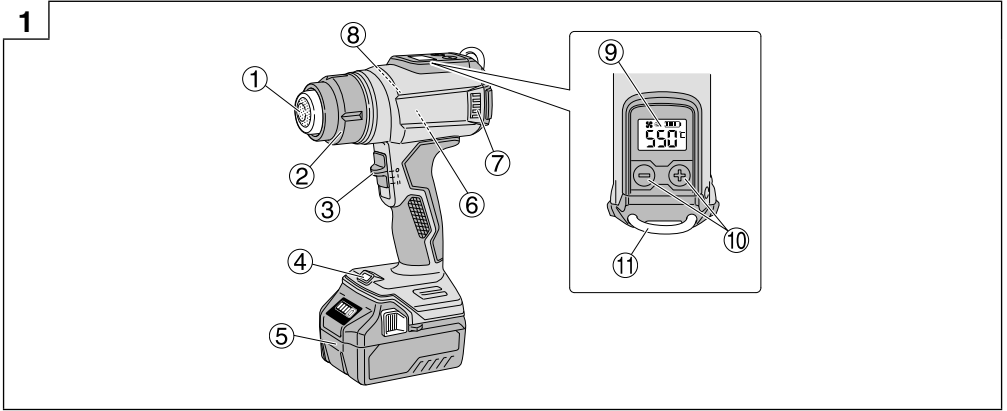


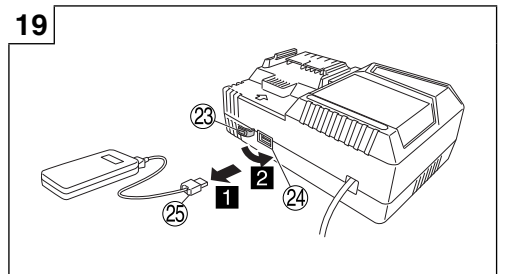
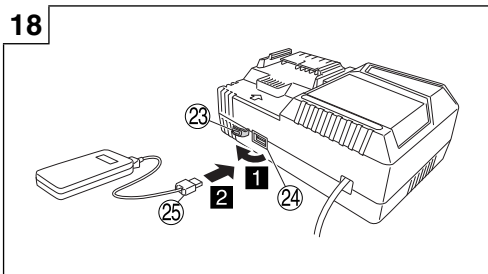
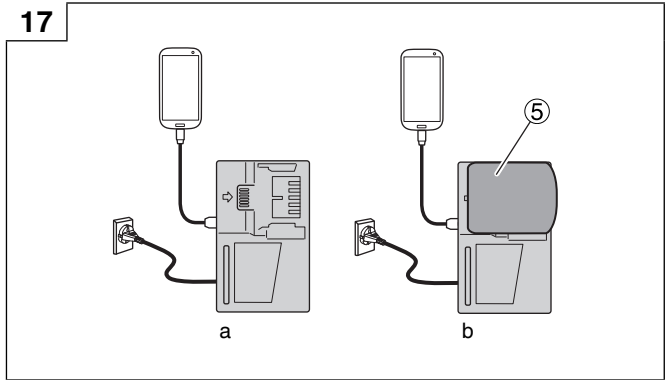
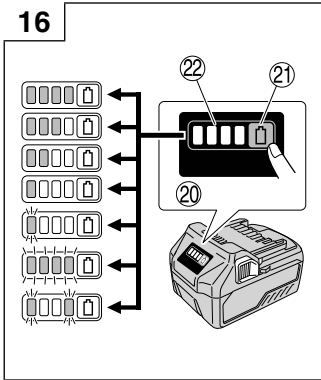
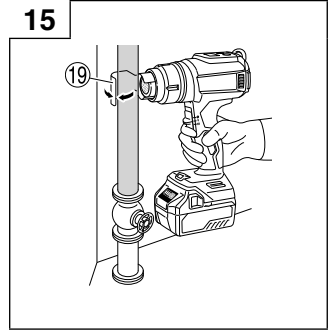
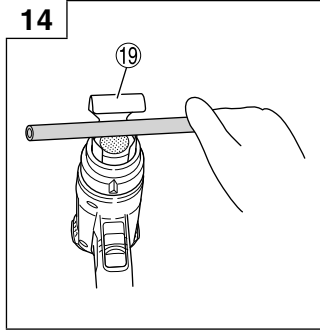
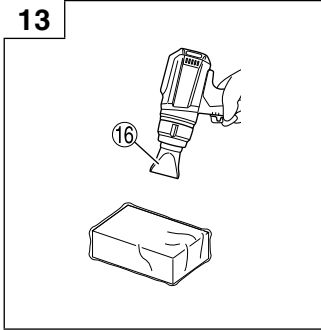
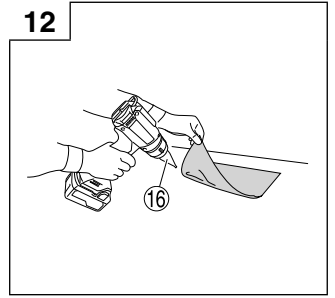
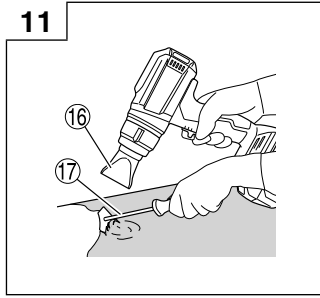
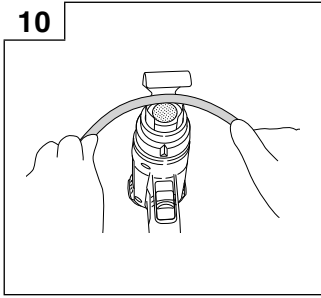
HIKOKI

RH 18DA



Handling instructions





GENERAL POWER TOOL SAFETY WARNINGS

WARNING

Read all safety warnings, instructions, illustrations and specifications provided with this power tool.

Failure to follow all instructions listed below may result in electric shock, fire and/or serious injury.

Save all warnings and instructions for future reference.

The term "power tool" in the warnings refers to your mains-operated (corded) power tool or battery-operated (cordless) power tool.

1) Work area safety

- a) **Keep work area clean and well lit.**
Cluttered or dark areas invite accidents.
- b) **Do not operate power tools in explosive atmospheres, such as in the presence of flammable liquids, gases or dust.**
Power tools create sparks which may ignite the dust or fumes.
- c) **Keep children and bystanders away while operating a power tool.**
Distractions can cause you to lose control.

2) Electrical safety

- a) **Power tool plugs must match the outlet. Never modify the plug in any way. Do not use any adapter plugs with earthed (grounded) power tools.**
Unmodified plugs and matching outlets will reduce risk of electric shock.
- b) **Avoid body contact with earthed or grounded surfaces, such as pipes, radiators, ranges and refrigerators.**
There is an increased risk of electric shock if your body is earthed or grounded.
- c) **Do not expose power tools to rain or wet conditions.**
Water entering a power tool will increase the risk of electric shock.
- d) **Do not abuse the cord. Never use the cord for carrying, pulling or unplugging the power tool. Keep cord away from heat, oil, sharp edges or moving parts.**
Damaged or entangled cords increase the risk of electric shock.
- e) **When operating a power tool outdoors, use an extension cord suitable for outdoor use.**
Use of a cord suitable for outdoor use reduces the risk of electric shock.
- f) **If operating a power tool in a damp location is unavoidable, use a residual current device (RCD) protected supply.**
Use of an RCD reduces the risk of electric shock.

3) Personal safety

- a) **Stay alert, watch what you are doing and use common sense when operating a power tool. Do not use a power tool while you are tired or under the influence of drugs, alcohol or medication.**
A moment of inattention while operating power tools may result in serious personal injury.
- b) **Use personal protective equipment. Always wear eye protection.**
Protective equipment such as a dust mask, non-skid safety shoes, hard hat or hearing protection used for appropriate conditions will reduce personal injuries.

- c) **Prevent unintentional starting. Ensure the switch is in the off-position before connecting to power source and/or battery pack, picking up or carrying the tool.**

Carrying power tools with your finger on the switch or energising power tools that have the switch on invites accidents.

- d) **Remove any adjusting key or wrench before turning the power tool on.**
A wrench or a key left attached to a rotating part of the power tool may result in personal injury.
 - e) **Do not overreach. Keep proper footing and balance at all times.**
This enables better control of the power tool in unexpected situations.
 - f) **Dress properly. Do not wear loose clothing or jewellery. Keep your hair and clothing away from moving parts.**
Loose clothes, jewellery or long hair can be caught in moving parts.
 - g) **If devices are provided for the connection of dust extraction and collection facilities, ensure these are connected and properly used.**
Use of dust collection can reduce dust-related hazards.
 - h) **Do not let familiarity gained from frequent use of tools allow you to become complacent and ignore tool safety principles.**
A careless action can cause severe injury within a fraction of a second.
- #### 4) Power tool use and care
- a) **Do not force the power tool. Use the correct power tool for your application.**
The correct power tool will do the job better and safer at the rate for which it was designed.
 - b) **Do not use the power tool if the switch does not turn it on and off.**
Any power tool that cannot be controlled with the switch is dangerous and must be repaired.
 - c) **Disconnect the plug from the power source and/or remove the battery pack, if detachable, from the power tool before making any adjustments, changing accessories, or storing power tools.**
Such preventive safety measures reduce the risk of starting the power tool accidentally.
 - d) **Store idle power tools out of the reach of children and do not allow persons unfamiliar with the power tool or these instructions to operate the power tool.**
Power tools are dangerous in the hands of untrained users.
 - e) **Maintain power tools and accessories. Check for misalignment or binding of moving parts, breakage of parts and any other condition that may affect the power tool's operation. If damaged, have the power tool repaired before use.**
Many accidents are caused by poorly maintained power tools.
 - f) **Keep cutting tools sharp and clean.**
Properly maintained cutting tools with sharp cutting edges are less likely to bind and are easier to control.
 - g) **Use the power tool, accessories and tool bits etc. in accordance with these instructions, taking into account the working conditions and the work to be performed.**
Use of the power tool for operations different from those intended could result in a hazardous situation.

CORDLESS HEAT GUN SAFETY WARNINGS

WARNING

1. This tool is not intended for use by persons (including children) with reduced physical, sensory or mental capabilities, or lack of experience and knowledge, unless they have been given supervision or instruction concerning use of the tool by a person responsible for their safety.
2. Children should be supervised to ensure that they do not play with the tool.
3. A fire may arise if the tool is not used with care, therefore:
Be careful when using the tool in places where there are combustible materials. Do not apply to the same place for a long time.
Do not use in presence of an explosive atmosphere.
Be aware that heat may be conducted to combustible materials which are out of sight.
Do not leave the tool unattended when in use.
4. Do not use the tool with wet hands. Failure to observe this may result in electric shocks.
5. Keep your hands and face away from the nozzle.
6. Always check the work area prior to use, and do not use the tool if safety cannot be guaranteed.
Failure to observe this may result in inflammable articles concealed in or behind invisible areas (cases, ceilings, floors, hollow areas) being ignited.

- h) **Keep handles and grasping surfaces dry, clean and free from oil and grease.**

Slippery handles and grasping surfaces do not allow for safe handling and control of the tool in unexpected situations.

5) Battery tool use and care

- a) **Recharge only with the charger specified by the manufacturer.**

A charger that is suitable for one type of battery pack may create a risk of fire when used with another battery pack.

- b) **Use power tools only with specifically designated battery packs.**

Use of any other battery packs may create a risk of injury and fire.

- c) **When battery pack is not in use, keep it away from other metal objects, like paper clips, coins, keys, nails, screws or other small metal objects, that can make a connection from one terminal to another.**

Shorting the battery terminals together may cause burns or a fire.

- d) **Under abusive conditions, liquid may be ejected from the battery; avoid contact. If contact accidentally occurs, flush with water. If liquid contacts eyes, additionally seek medical help.**

Liquid ejected from the battery may cause irritation or burns.

- e) **Do not use a battery pack or tool that is damaged or modified.**

Damaged or modified batteries may exhibit unpredictable behaviour resulting in fire, explosion or risk of injury.

- f) **Do not expose a battery pack or tool to fire or excessive temperature.**

Exposure to fire or temperature above 130 °C may cause explosion.

- g) **Follow all charging instructions and do not charge the battery pack or tool outside the temperature range specified in the instructions.**

Charging improperly or at temperatures outside the specified range may damage the battery and increase the risk of fire.

6) Service

- a) **Have your power tool serviced by a qualified repair person using only identical replacement parts.**

This will ensure that the safety of the power tool is maintained.

- b) **Never service damaged battery packs.**

Service of battery packs should only be performed by the manufacturer or authorized service providers.

PRECAUTION

Keep children and infirm persons away.

When not in use, tools should be stored out of reach of children and infirm persons.

7. When working in elevated locations, make sure there are no people or flammable materials underneath. Failure to observe this may result in accidents.
8. Do not point the hot air directly at people or animals. Do not look into the nozzle. Do not use it as a hair dryer under any circumstances. Failure to observe this may result in accidents or injury.
9. There are cases in which highly toxic gas will be emitted if used on plastic, lacquer or similar materials. Always ensure that the work area is fully ventilated, and wear a dust-protection mask.
10. Apply heat gently while moving the Heat Gun up, down, left and right. Aiming it constantly at a single location may result in the outbreak of smoke or fire.
11. Check the tool for damage, cracks or malformation in the event of it being accidently dropped or subject to impact. Damage, cracks and malformation may result in injury.
12. Cease operations immediately in the event of the tool not operating properly or if abnormal noises or vibrations are noticed, and contact a HiKOKI Authorized Service Center to request inspections and repairs. Continued use may result in injury.
13. Do not get away from the unit while it is switched on. Always return the switch to the OFF (O) position when you are finished working. Failure to observe this may result in accidents.
14. When removing the battery, please put the switch in OFF (O) position.

CAUTION

1. Parts of the nozzle supplied are sharp, so use gloves when removing them from the case and when attaching or detaching them.
2. The nozzle, the tip of the nozzle and the material that was heated are extremely hot during and immediately after using the tool, so use gloves and avoid touching them directly.
3. Do not use inside boxes, drawers or other enclosed spaces. Aiming it constantly at a single location may result in the outbreak of smoke or fire.
4. Make sure the nozzle is at least 5 cm away from the item being heated when using the tool. Also, do not cover or otherwise block the nozzle. Failure to observe this may result in the Heat Gun overheating, leading to malfunctions.
5. Do not switch the tool on and off repeatedly. Failure to observe this may result in malfunctions.
6. Do not point the nozzle downwards immediately after use. Failure to observe this may result in the tool overheating, leading to malfunctions.
7. Do not give a strong shock to the panel or break it. It may lead to a trouble.
8. When storing, make sure the tool is completely cooled. Failure to observe this may cause burns or storage case deformation.

9. Do not look directly into the light. Such actions could result in eye injury. Wipe off any dirt or grime attached to the lens of the LED light with a soft cloth, being careful not to scratch the lens. Scratches on the lens of the LED light can result in decreased brightness.

ADDITIONAL SAFETY WARNINGS

1. Always charge the battery at a temperature of 0°C–40°C. A temperature of less than 0°C will result in over charging which is dangerous. The battery cannot be charged at a temperature higher than 40°C. The most suitable temperature for charging is that of 20°C–25°C.
2. Do not use the charger continuously. When one charging is completed, leave the charger for about 15 minutes before the next charging of battery.
3. Do not allow foreign matter to enter the hole for connecting the rechargeable battery.
4. Never disassemble the rechargeable battery and charger.
5. Never short-circuit the rechargeable battery. Shortcircuiting the battery will cause a great electric current and overheat. It results in burn or damage to the battery.
6. Do not dispose of the battery in fire. If the battery is burnt, it may explode.
7. Bring the battery to the shop from which it was purchased as soon as the post-charging battery life becomes too short for practical use. Do not dispose of the exhausted battery.
8. Do not insert object into the air ventilation slots of the charger. Inserting metal objects or inflammables into the charger air ventilation slots will result in electrical shock hazard or damaged charger.
9. When using this unit continuously, the unit may overheat, leading to damage in the motor and switch. Therefore, whenever the housing becomes hot, give the tool a break for a while.
10. Make sure that the battery is installed firmly. If it is at all loose it could come off and cause an accident.
11. Do not use the product if the tool or the battery terminals (battery mount) are deformed. Installing the battery could cause a short circuit that could result in smoke emission or ignition.
12. Keep the tool's terminals (battery mount) free of swarf and dust.
 - Prior to use, make sure that swarf and dust have not collected in the area of the terminals.
 - During use, try to avoid swarf or dust on the tool from falling on the battery.
 - When suspending operation or after use, do not leave the tool in an area where it may be exposed to falling swarf or dust. Doing so could cause a short circuit that could result in smoke emission or ignition.
13. Always use the tool and battery at temperatures between -5°C and 40°C.

CAUTION ON LITHIUM-ION BATTERY

To extend the lifetime, the lithium-ion battery equips with the protection function to stop the output. In the cases of 1 to 3 described below, when using this product, even if you are pulling the switch, the motor may stop. This is not the trouble but the result of protection function.

1. When the battery power remaining runs out, the motor stops. In such a case, charge it up immediately.
2. If the tool is overloaded, the motor may stop. In this case, release the switch of tool and eliminate causes of overloading. After that, you can use it again.
3. If the battery is overheated under overload work, the battery power may stop. In this case, stop using the battery and let the battery cool. After that, you can use it again.

Furthermore, please heed the following warning and caution.

WARNING

In order to prevent any battery leakage, heat generation, smoke emission, explosion and ignition beforehand, please be sure to heed the following precautions.

1. Make sure that swarf and dust do not collect on the battery.
 - During work make sure that swarf and dust do not fall on the battery.
 - Make sure that any swarf and dust falling on the power tool during work do not collect on the battery.
 - Do not store an unused battery in a location exposed to swarf and dust.
 - Before storing a battery, remove any swarf and dust that may adhere to it and do not store it together with metal parts (screws, nails, etc.).
2. Do not pierce battery with a sharp object such as a nail, strike with a hammer, step on, throw or subject the battery to severe physical shock.
3. Do not use an apparently damaged or deformed battery.
4. Do not use the battery for a purpose other than those specified.
5. If the battery charging fails to complete even when a specified recharging time has elapsed, immediately stop further recharging.
6. Do not put or subject the battery to high temperatures or high pressure such as into a microwave oven, dryer, or high pressure container.
7. Keep away from fire immediately when leakage or foul odor are detected.
8. Do not use in a location where strong static electricity generates.
9. If there is battery leakage, foul odor, heat generated, discolored or deformed, or in any way appears abnormal during use, recharging or storage, immediately remove it from the equipment or battery charger, and stop use.
10. Do not immerse the battery or allow any fluids to flow inside. Conductive liquid ingress, such as water, can cause damage resulting in fire or explosion. Store your battery in a cool, dry place, away from combustible and flammable items. Corrosive gas atmospheres must be avoided.

CAUTION

1. If liquid leaking from the battery gets into your eyes, do not rub your eyes and wash them well with fresh clean water such as tap water and contact a doctor immediately. If left untreated, the liquid may cause eye-problems.
2. If liquid leaks onto your skin or clothes, wash well with clean water such as tap water immediately. There is a possibility that this can cause skin irritation.

3. If you find rust, foul odor, overheating, discolor, deformation, and/or other irregularities when using the battery for the first time, do not use and return it to your supplier or vendor.

WARNING

If a conductive foreign matter enters in the terminal of lithium ion battery, the battery may be shorted, causing fire. When storing the lithium ion battery, obey surely the rules of following contents.

- Do not place conductive debris, nail and wires such as iron wire and copper wire in the storage case.
- To prevent shorting from occurring, load the battery in the tool or insert securely the battery cover for storing until the ventilator is not seen.

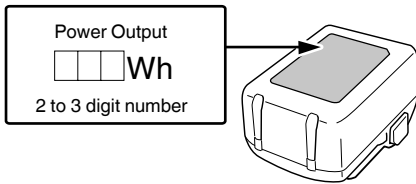
REGARDING LITHIUM-ION BATTERY TRANSPORTATION

When transporting a lithium-ion battery, please observe the following precautions.

WARNING

Notify the transporting company that a package contains a lithium-ion battery, inform the company of its power output and follow the instructions of the transportation company when arranging transport.

- Lithium-ion batteries that exceed a power output of 100 Wh are considered to be in the freight classification of Dangerous Goods and will require special application procedures.
- For transportation abroad, you must comply with international law and the rules and regulations of the destination country.



USB DEVICE CONNECTION PRECAUTIONS (UC18YSL3)

When an unexpected problem occurs, the data in a USB device connected to this product may be corrupted or lost. Always make sure to back up any data contained in the USB device prior to use with this product.

Please be aware that our company accepts absolutely no responsibility for any data stored in a USB device that is corrupted or lost, nor for any damage that may occur to a connected device.

WARNING

- Prior to use, check the connecting USB cable for any defect or damage. Using a defective or damaged USB cable can cause smoke emission or ignition.
- When the product is not being used, cover the USB port with the rubber cover. Buildup of dust etc. in the USB port can cause smoke emission or ignition.

NOTE

- There may be an occasional pause during USB recharging.

- When a USB device is not being charged, remove the USB device from the charger. Failure to do so may not only reduce the battery life of a USB device, but may also result in unexpected accidents.
- It may not be possible to charge some USB devices, depending on the type of device.

NAMES OF PARTS (Fig. 1 - Fig. 19)

①	Nozzle	⑭	Remaining battery indicator lamp (On main body)
②	Front cover	⑮	Temperature display
③	Switch	⑯	Nozzle (Plane)
④	LED light	⑰	Scraper
⑤	Battery (sold separately)	⑱	Nozzle (Round)
⑥	Motor	⑲	Nozzle (Curved surface)
⑦	Intake port	⑳	Display panel
⑧	Name plate	㉑	Remaining battery indicator switch
⑨	Display	㉒	Remaining battery indicator lamp
⑩	Temperature control button	㉓	Rubber cover
⑪	Hook	㉔	USB port
⑫	Latch	㉕	USB cable
⑬	Charge indicator lamp		

SYMBOLS

WARNING

The following show symbols used for the machine. Be sure that you understand their meaning before use.

	RH18DA: Cordless Heat Gun
	To reduce the risk of injury, user must read instruction manual.
	Direct current
	Rated voltage
	Disconnect the battery
	Switching ON
	Switching OFF
	Warning

Battery

	Lights ; The battery remaining power is over 75%
	Lights ; The battery remaining power is 50%–75%.
	Lights ; The battery remaining power is 25%–50%.
	Lights ; The battery remaining power is less than 25%
	Blinks ; The battery remaining power is nearly empty. Recharge the battery soonest possible.
	Blinks ; Output suspended due to high temperature. Remove the battery from the tool and allow it to fully cool down.
	Blinks ; Output suspended due to failure or malfunction. The problem may be the battery so please contact your dealer.

STANDARD ACCESSORIES

In addition to the main unit (1 unit), the package contains the accessories listed on page 15.

Standard accessories are subject to change without notice.

APPLICATIONS

- Peeling off paint
- Softening adhesive
- Removing putty from window frames
- Forming resin pipes
- Welding plastic
- Heat wrapping using heat-shrink film.
- Soldering work
- Drying work
- Defrosting work

SPECIFICATIONS

1. Power tool

Model		RH18DA	
Voltage		18 V	
Temperature/ air volume	set I	30 - 400°C / 200 L / min	
	set II	30 - 550°C / 300 L / min	
Battery available for this tool*		Multi volt battery, BSL18 Series	
Weight		1.3 kg (BSL36A18)	

* Existing batteries (BSL3660/3620/3626, etc.) cannot be used with this tool.
When using 14.4 V (BSL14xx series), the air volume/temperature and remaining battery indicator do not perform the specified functions.

NOTE

Due to HiKOKI's continuing program of research and development, the specifications herein are subject to change without prior notice.

2. Battery (sold separately)

Model	BSL36A18
Voltage	36 V / 18 V (Automatic Switching*)
Battery capacity	2.5 Ah / 5.0 Ah (Automatic Switching*)
Available cordless products**	Multi volt series, 18 V product
Available charger	Sliding charger for lithium ion batteries

* The tool itself will automatically switch over.

** Please see our general catalogue for details.

3. Charger (sold separately)

Model	UC18YSL3
Charging voltage	14.4 V–18 V
Weight	0.6 kg

CHARGING

Before using the power tool, charge the battery as follows.

1. **Connect the charger's power cord to the receptacle.**
When connecting the plug of the charger to a receptacle, the charge indicator lamp will blink in red (At 1- second intervals).
 2. **Insert the battery into the charger.**
Firmly insert the battery into the charger as shown in **Fig. 3** (on page 2).
 3. **Charging**
When inserting a battery in the charger, the charge indicator lamp will blink in blue.
When the battery becomes fully recharged, the charge indicator lamp will light up in green. (See **Table 1**)
- (1) Charge indicator lamp indication
The indications of the charge indicator lamp will be as shown in **Table 1**, according to the condition of the charger or the rechargeable battery.

Table 1

Indications of the charge indicator lamp				
Charge indicator lamp (RED / BLUE / GREEN / PURPLE)	Before charging	Blinks (RED)	Lights for 0.5 seconds. Does not light for 0.5 seconds. (off for 0.5 seconds)	Plugged into power source
	While charging	Blinks (BLUE)	Lights for 0.5 seconds. Does not light for 1 second. (off for 1 second)	Battery capacity at less than 50%
		Blinks (BLUE)	Lights for 1 second. Does not light for 0.5 seconds. (off for 0.5 seconds)	Battery capacity at less than 80%
		Lights (BLUE)	Lights continuously	Battery capacity at more than 80%
	Charging complete	Lights (GREEN)	Lights continuously (Continuous buzzer sound: about 6 seconds)	
	Overheat standby	Blinks (RED)	Lights for 0.3 seconds. Does not light for 0.3 seconds. (off for 0.3 seconds)	Battery overheated. Unable to charge. (Charging will commence when battery cools)
	Charging impossible	Flickers (PURPLE)	Lights for 0.1 seconds. Does not light for 0.1 seconds. (Intermittent buzzer sound: about 2 seconds)	Malfunction in the battery or the charger

(2) Regarding the temperatures and charging time of the rechargeable battery
The temperatures and charging time will become as shown in **Table 2**.

Table 2

Charger		UC18YSL3					
Battery	Type of battery	Li-ion					
	Temperatures at which the battery can be recharged	0°C–50°C					
	Charging voltage	V	14.4		18		
	Charging time, approx. (At 20°C)	min	BSL14xx series		BSL18xx series		Multi volt series
			(4 cells)	(8 cells)	(5 cells)	(10 cells)	(10 cells)
		BSL1415S : 15 BSL1415 : 15 BSL1415X : 15 BSL1420 : 20 BSL1425 : 25 BSL1430C : 30	BSL1430 : 20 BSL1440 : 26 BSL1450 : 32 BSL1460 : 38	BSL1815S : 15 BSL1815 : 15 BSL1815X : 15 BSL1820 : 20 BSL1820M : 20 BSL1825 : 25 BSL1830C : 30 BSL1850C : 32	BSL1830 : 20 BSL1840 : 26 BSL1850 : 32 BSL1860 : 38	BSL36A18 : 32 BSL36B18 : 52	
USB	Charging voltage	V	5				
	Charging current	A	2				

NOTE

The recharging time may vary according to the ambient temperature and power source voltage.

4. Disconnect the charger's power cord from the receptacle.

5. Hold the charger firmly and pull out the battery.

NOTE

Be sure to pull out the battery from the charger after use, and then keep it.

Regarding electric discharge in case of new batteries, etc.

As the internal chemical substance of new batteries and batteries that have not been used for an extended period is not activated, the electric discharge might be low when using them the first and second time. This is a temporary phenomenon, and normal time required for recharging will be restored by recharging the batteries 2–3 times.

How to make the batteries perform longer.

- (1) Recharge the batteries before they become completely exhausted.
When you feel that the power of the tool becomes weaker, stop using the tool and recharge its battery. If you continue to use the tool and exhaust the electric current, the battery may be damaged and its life will become shorter.
- (2) Avoid recharging at high temperatures.
A rechargeable battery will be hot immediately after use. If such a battery is recharged immediately after use, its internal chemical substance will deteriorate, and the battery life will be shortened. Leave the battery and recharge it after it has cooled for a while.

CAUTION

- If the battery is charged while it is heated because it has been left for a long time in a location subject to direct sunlight or because the battery has just been used, the charge indicator lamp of the charger lights for 0.3 seconds, does not light for 0.3 seconds (off for 0.3 seconds). In such a case, first let the battery cool, then start charging.
- When the charge indicator lamp flickers (at 0.2-second intervals), check for and take out any foreign objects in the charger's battery connector. If there are no foreign objects, it is probable that the battery or charger is malfunctioning. Take it to your authorized Service Center.

MOUNTING AND OPERATION

Action	Figure	Page
Removing and inserting the battery	2	2
Charging	3	2
Switch operation	4	2
Temperature Settings*1	5	2
Remaining battery indicator (On main body)*2	6	2
How to use the hook*3	7	2
How to use the LED light	8	2
Attaching/removing the nozzle*4	9	2
Work facing up*5	10	3
Remaining battery indicator	16	3
Charging a USB device from an electrical outlet	17-a	3

Charging a USB device and battery from an electrical outlet	17-b	3
How to recharge USB device	18	3
When charging of USB device is completed	19	3
Selecting accessories	—	16

***1 Temperature Settings**

WARNING

- Do not use the tool in the vicinity of volatile substances (thinner, gasoline, etc.)
- Do not bring the nozzle in close contact with your hands or face during use.
The nozzle is extremely hot immediately after use, so do not touch it.

NOTE

- There may be a difference between the displayed temperature and the actual temperature.
- Press and hold the + and - temperature control buttons at the same time to switch between Fahrenheit (°F) and Celsius (°C).

Set the temperature in consideration of the article to be heated.

Also, pay attention to the surrounding material that will be heated at the same time.

First of all, apply the hot air from a distance while checking that there are no changes in the article being heated, and then move it closer until it reaches an appropriate distance.

Heating inflammable substances

(paper, wood, plastic, etc.)

Set the switch to the [set I] position and apply the heat with the nozzle at least 10 cm away from the article being heated.

Gently move the tip of the nozzle up, down, left and right to apply the heat.

Applying heat constantly to one location may result in malformation or the outbreak of smoke.

Heating non-flammable substances

(metal, stone, concrete, etc.)






Set the switch to the [set I] position, and if there are no problems, move it to the [set II] position.

Apply the heat with the nozzle at least 5 cm away from the article being heated.

Holding the nozzle too close may result in the tool overheating, leading to malfunctions.

***2 Remaining battery indicator (On main body)**

Use as a guide only.

State of lamp	Battery Remaining Power
	Over 70%
	55%–70%
	35%–55%
	20%–35%
	Less than 20%

NOTE

When using a battery with a remaining battery indicator, please refer to the indicator lamp on the battery for the battery remaining power.

*3 How to use the hook

CAUTION

Do not hang the tool from your wrist or waist when moving around with the nozzle still hot.

*4 Attaching/removing the nozzle

CAUTION

The nozzle is extremely hot immediately after use, so do not touch it.

Insert the nozzle firmly into the front cover until it can go no further.

You can remove the nozzle without touching it by rotating the front cover counterclockwise.

NOTE

- Be careful not to remove the nozzle during work.
- When removing it, be careful not to damage the surroundings or the nozzle.

*5 Work facing up

CAUTION

When using the tool facing up, place it on a stable surface.

When working with both hands, such as when bending a pipe, you can lay down the heat gun and use it with the nozzle side facing up.

WORK EXAMPLE

CAUTION

Parts of the nozzles supplied are sharp, so use gloves when removing them from the case and when attaching or detaching them.

Select the nozzle in consideration of the shape of the article being heated and the area being heated.

NOTE

Do not block the intake or nozzle during use.

1. Peeling off paint (Fig. 11)

Use nozzle (plane) or nozzle (round) to soften the paint with the hot air, and then remove it with the scraper.

Note that heating the paint too much may result in it scorching and becoming harder, making it difficult to scrape off.

2. Softening adhesive (Fig. 12)

Use nozzle (plane) or nozzle (round) to soften the surface and make it easy to peel, and then pull up one of the edges, blow heat underneath it and gently peel it off so that none of the adhesive remains.

3. Heat wrapping (Fig. 13)

Use nozzle (plane) to heat-wrap shrink film and tubes. The material will change color or crack if hot air is blown onto it from a close distance, so maintain an appropriate distance while monitoring progress.

4. Forming resin pipes (Fig. 14)

Use nozzle (curved surface) to evenly heat the circumference of the resin pipe.

To prevent the inside of the pipe from narrowing when bending it, etc., pour sand inside, block both ends and then gently bend it.

5. Defrosting water pipes (Fig. 15)

Use nozzle (curved surface) to heat the frozen area from the edge to the center. Do not mistake gas pipes for water pipes and heat them.

Take care to avoid damaging frozen resin areas on water pipes.

WARNING SIGNALS

This product features functions that are designed to protect the tool itself as well as the battery. If any of the safeguard functions are triggered during work, the LED light and the temperature display will blink for a few seconds as described in **Table 3**. When any of the safeguard functions are triggered, immediately switch off and follow the instructions described under corrective action.

Table 3

Safeguard Function	LED light Display	Display	Corrective Action
Overload Protection	On 0.5 sec. / off 0.5 sec.	888	Remove the cause of the overload.
Temperature Protection	■ ■ ■	30℃	Allow the tool and battery to thoroughly cool.

MAINTENANCE AND INSPECTION

WARNING

○ Be sure to turned off the switch and remove the battery before maintenance and inspection.

○ Inspect and clean the nozzle while it is cool.

1. Inspecting the mounting screws

Regularly inspect all mounting screws and ensure that they are properly tightened. Should any of the screws be loose, retighten them immediately. Failure to do so could result in serious hazard.

2. Maintenance of the motor

The motor unit winding is the very "heart" of the power tool.

Exercise due care to ensure the winding does not become damaged and/or wet with oil or water.

3. Inspection of terminals (tool and battery)

Check to make sure that swarf and dust have not collected on the terminals.

On occasion check prior, during and after operation.

CAUTION

Remove any swarf or dust which may have collected on the terminals.

Failure to do so may result in malfunction.

4. Cleaning on the outside

When the power tool is stained, wipe with a soft dry cloth or a cloth moistened with soapy water. Do not use chloric solvents, gasoline or paint thinner, for they melt plastics.

5. Storage

Store the power tool and the battery in a place in which the temperature is less than 40°C and out of reach of children.

NOTE

Storing lithium-ion batteries.

Make sure the lithium-ion batteries have been fully charged before storing them.

Prolonged storage (3 months or more) of batteries with a low charge may result in performance deterioration, significantly reducing battery usage time or rendering the batteries incapable of holding a charge.

However, significantly reduced battery usage time may be recovered by repeatedly charging and using the batteries two to five times.

If the battery usage time is extremely short despite repeated charging and use, consider the batteries dead and purchase new batteries.

CAUTION

In the operation and maintenance of power tools, the safety regulations and standards prescribed in each country must be observed.

SELECTING ACCESSORIES

The accessories of this machine are listed on page 16. For details regarding each bit type, please contact the HiKOKI Authorized Service Center.

Important notice on the batteries for the HiKOKI cordless power tools

Please always use one of our designated genuine batteries. We cannot guarantee the safety and performance of our cordless power tool when used with batteries other than these designated by us, or when the battery is disassembled and modified (such as disassembly and replacement of cells or other internal parts).

GUARANTEE

We guarantee HiKOKI Power Tools in accordance with statutory/country specific regulation. This guarantee does not cover defects or damage due to misuse, abuse, or normal wear and tear. In case of complaint, please send the Power Tool, undismantled, with the GUARANTEE CERTIFICATE found at the end of this Handling instruction, to a HiKOKI Authorized Service Center.

NOTE

Due to HiKOKI's continuing program of research and development, the specifications herein are subject to change without prior notice.

TROUBLESHOOTING


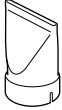

Use the inspections in the table below if the tool does not operate normally. If this does not remedy the problem, consult your dealer or the HiKOKI Authorized Service Center.

1. Power tool

Symptom	Possible cause	Remedy
Tool doesn't run	No remaining battery power	Charge the battery.
	The switch was at a position between I and OFF (O) for a certain amount of time.	Set the switch to the OFF (O) position once before moving it.
White smoke comes out	On first use, the oils in the heat insulating material may vaporize due to heating and produce a small amount of white smoke.	The smoke will stop after a few minutes of continuous use.
Tool suddenly stopped	The battery is overheated.	Let the battery cool down.
The battery remaining power on the machine does not match the battery with the remaining battery indicator.	—	Refer to the indicator lamp on the battery.
Battery cannot be installed	Attempting to install a battery other than that specified for the tool.	Please install batteries that are multi volt or BSL18xx series.

2. Charger

Symptom	Possible cause	Remedy
The charge indicator lamp rapidly flickers purple, and battery charging doesn't begin.	The battery is not inserted all the way.	Insert the battery firmly.
	There is foreign matter in the battery terminal or where the battery is attached.	Remove the foreign matter.
The charge indicator lamp blinks red, and battery charging doesn't begin.	The battery is not inserted all the way.	Insert the battery firmly.
	The battery is overheated.	If left alone, the battery will automatically begin charging if its temperature decreases, but this may reduce battery life. It is recommended that the battery be cooled in a well-ventilated location away from direct sunlight before charging it.
Battery usage time is short even though the battery is fully charged.	The battery's life is depleted.	Replace the battery with a new one.
The battery takes a long time to charge.	The temperature of the battery, the charger, or the surrounding environment is extremely low.	Charge the battery indoors or in another warmer environment.
	The charger's vents are blocked, causing its internal components to overheat.	Avoid blocking the vents.
	The cooling fan is not running.	Contact a HiKOKI Authorized Service Center for repairs.
The USB power lamp has switched off and the USB device has stopped charging.	The battery's capacity has become low.	Replace the battery with one that has capacity remaining.
		Plug the charger's power plug into an electric socket.
USB power lamp does not switch off even though the USB device has finished charging.	The USB power lamp lights up green to indicate that USB charging is possible.	This is not a malfunction.
It is unclear what the charging status of a USB device is, or whether its charging is complete.	The USB power lamp does not switch off even when charging is complete.	Examine the USB device that is charging to confirm its charging status.
Charging of a USB device pauses midway.	The charger was plugged into an electrical socket while the USB device was being charged using the battery as the power source.	This is not a malfunction. The charger pauses USB charging for about 5 seconds when it is differentiating between power sources.
	A battery was inserted into the charger while the USB device was being charged using a power socket as the power source.	
Charging of the USB device pauses midway when the battery and the USB device are being charged at the same time.	The battery has become fully charged.	This is not a malfunction. The charger pauses USB charging for about 5 seconds while it checks whether the battery has successfully completed charging.
Charging of the USB device doesn't start when the battery and the USB device are being charged at the same time.	The remaining battery capacity is extremely low.	This is not a malfunction. When the battery capacity reaches a certain level, USB charging automatically begins.

	RH18DA
	(NN)
	1
	1
	1



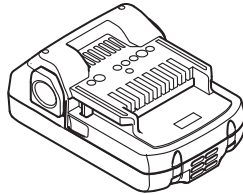
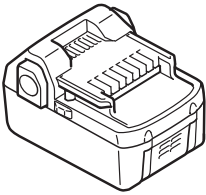
378685



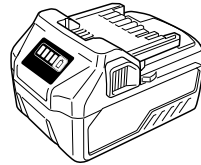
378687



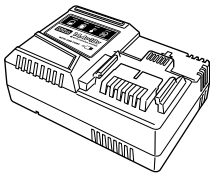
378686



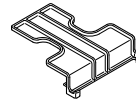
BSL18..



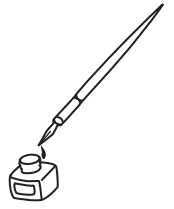
BSL36..18

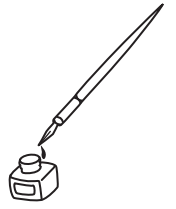


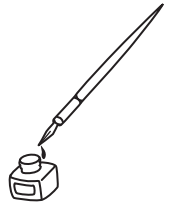
UC18YSL3 (14,4 V–18 V)



329897







Koki Holdings Co., Ltd.

Shinagawa Intercity Tower A, 15-1, Konan 2-chome,
Minato-ku, Tokyo, Japan