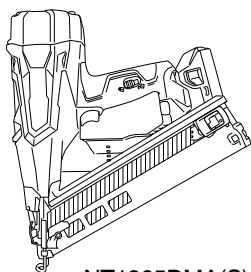


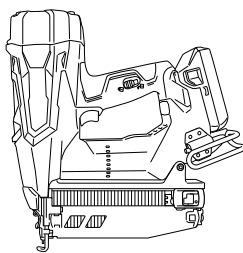
# metabo **HPT**

Instruction and safety manual  
Manuel d'instructions et de sécurité  
Instrucciones y manual de seguridad

Model **NT 1865DMA(S) • NT 1865DMA(Y)** Cordless Finish Nailer  
Modèle **NT 1865DM(S)** Cloueur de finition sans fil  
Modelo **NT 1865DM(S)** Clavadora de acabados a batería



NT1865DMA(S)  
NT1865DMA(Y)



NT1865DM(S)

## **⚠ DANGER**

**Improper use of this Nailer can result in death or serious injury!**  
**This Manual contains important information about product safety.**  
**Read and understand this Manual before operating the Nailer.**  
**Never allow anyone who has not reviewed this manual.**

## **⚠ DANGER**

**Une utilisation incorrecte et sans respecter la sécurité de ce cloueur risque d'entraîner la mort ou des blessures graves !**  
**Ce manuel renferme des instructions importantes sur la sécurité de l'outil.**  
**Lire et bien assimiler ce manuel avant d'utiliser le cloueur.**  
**Ne jamais laisser les personnes n'ayant pas étudié le manuel utiliser l'outil.**

## **⚠ PELIGRO**

**¡La utilización inadecuada e insegura de este clavador puede resultar en lesiones serias o en la muerte!**  
**Este manual contiene información importante sobre la seguridad del producto.**  
**Lea y entienda este manual antes de utilizar el clavador.**  
**No deje manejar esta herramienta a nadie que no haya leído este manual.**

---

## IMPORTANT INFORMATION

---



Read and understand tool labels and all of the operating instructions, safety precautions and warnings in this manual before operating or maintaining this nailer.  
Failure to follow warnings could result in DEATH or SERIOUS INJURY.

Most accidents that result from the operation and maintenance of Nailers are caused by the failure to observe basic safety rules or precautions. An accident can often be avoided by recognizing a potentially hazardous situation before it occurs, and by observing appropriate safety procedures.

Basic safety precautions are outlined in the “SAFETY” section of this Manual and in the sections which contain the operation and maintenance instructions.

Hazards that must be avoided to prevent bodily injury or machine damage are identified by DANGERS and WARNINGS on the Nailer and in this Manual.

**NEVER** use this Nailer for applications other than those specified in this Manual.

---

## DEFINITIONS OF SIGNAL WORDS

---

**DANGER** indicates an imminently hazardous situation which, if not avoided, will result in death or serious injury.

**WARNING** indicates a potentially hazardous situation which, if not avoided, could result in death or serious injury.

**CAUTION** indicates a potentially hazardous situation which, if not avoided, may result in minor or moderate injury, or may cause machine damage.

**NOTE** emphasizes essential information.

---

## EXPLANATION OF THE NAILING ACTION OF THE metabo HPT NAILER

---

- FULL SEQUENTIAL ACTUATION MECHANISM:  
First, press the push lever against the wood; next, pull the trigger to drive the fastener. Follow the same sequence to continue driving fasteners.
- CONTACT ACTUATION MECHANISM: (NT1865DMA(Y) excluded)  
First, pull the trigger; next, press the push lever against the wood to drive the fastener.  
If the trigger is held back, a fastener will be driven each time the push lever is pressed against the wood.

# SAFETY

## GENERAL POWER TOOL SAFETY WARNINGS

### ⚠ WARNING

#### Read all safety warnings and all instructions.

Failure to follow the warnings and instructions may result in electric shock, fire and/or serious injury.

#### Save all warnings and instructions for future reference.

The term "power tool" in the warnings refers to your mains-operated (corded) power tool or battery-operated (cordless) power tool.

### 1) Work area safety

- a) **Keep work area clean and well lit.**  
Cluttered or dark areas invite accidents.
- b) **Do not operate power tools in explosive atmospheres, such as in the presence of flammable liquids, gases or dust.**  
Power tools create sparks which may ignite the dust or fumes.
- c) **Keep children and bystanders away while operating a power tool.**  
Distractions can cause you to lose control.

### 2) Electrical safety

- a) **Power tool plugs must match the outlet. Never modify the plug in any way.**  
**Do not use any adapter plugs with earthed (grounded) power tools.**  
Unmodified plugs and matching outlets will reduce risk of electric shock.
- b) **Avoid body contact with earthed or grounded surfaces such as pipes, radiators, ranges and refrigerators.**  
There is an increased risk of electric shock if your body is earthed or grounded.
- c) **Do not expose power tools to rain or wet conditions.**  
Water entering a power tool will increase the risk of electric shock.
- d) **Do not abuse the cord. Never use the cord for carrying, pulling or unplugging the power tool. Keep cord away from heat, oil, sharp edges or moving parts.**  
Damaged or entangled cords increase the risk of electric shock.
- e) **When operating a power tool outdoors, use an extension cord suitable for outdoor use.**  
Use of a cord suitable for outdoor use reduces the risk of electric shock.
- f) **If operating a power tool in a damp location is unavoidable, use a residual current device (RCD) protected supply.**  
Use of an RCD reduces the risk of electric shock.

### 3) Personal safety

- a) **Stay alert, watch what you are doing and use common sense when operating a power tool. Do not use a power tool while you are tired or under the influence of drugs, alcohol or medication.**  
A moment of inattention while operating power tools may result in serious personal injury.
- b) **Use personal protective equipment. Always wear eye protection.**  
Protective equipment such as dust mask, non-skid safety shoes, hard hat, or hearing protection used for appropriate conditions will reduce personal injuries.
- c) **Prevent unintentional starting. Ensure the switch is in the off-position before connecting to power source and/or battery pack, picking up or carrying the tool.**  
Carrying power tools with your finger on the switch or energising power tools that have the switch on invites accidents.
- d) **Remove any adjusting key or wrench before turning the power tool on.**  
A wrench or a key left attached to a rotating part of the power tool may result in personal injury.
- e) **Do not overreach. Keep proper footing and balance at all times.**  
This enables better control of the power tool in unexpected situations.
- f) **Dress properly. Do not wear loose clothing or jewellery. Keep your hair, clothing and gloves away from moving parts.**  
Loose clothes, jewellery or long hair can be caught in moving parts.
- g) **If devices are provided for the connection of dust extraction and collection facilities, ensure these are connected and properly used.**  
Use of dust collection can reduce dust-related hazards.

## SAFETY — Continued

- 4) **Power tool use and care**
- a) **Do not force the power tool. Use the correct power tool for your application.**  
The correct power tool will do the job better and safer at the rate for which it was designed.
  - b) **Do not use the power tool if the switch does not turn it on and off.**  
Any power tool that cannot be controlled with the switch is dangerous and must be repaired.
  - c) **Disconnect the plug from the power source and/or the battery pack from the power tool before making any adjustments, changing accessories, or storing power tools.**  
Such preventive safety measures reduce the risk of starting the power tool accidentally.
  - d) **Store idle power tools out of the reach of children and do not allow persons unfamiliar with the power tool or these instructions to operate the power tool.**  
Power tools are dangerous in the hands of untrained users.
  - e) **Maintain power tools. Check for misalignment or binding of moving parts, breakage of parts and any other condition that may affect the power tool's operation.**  
**If damaged, have the power tool repaired before use.**  
Many accidents are caused by poorly maintained power tools.
  - f) **Keep cutting tools sharp and clean.**  
Properly maintained cutting tools with sharp cutting edges are less likely to bind and are easier to control.
  - g) **Use the power tool, accessories and tool bits etc. in accordance with these instructions, taking into account the working conditions and the work to be performed.**  
Use of the power tool for operations different from those intended could result in a hazardous situation.
- 5) **Battery tool use and care**
- a) **Recharge only with the charger specified by the manufacturer.**  
A charger that is suitable for one type of battery pack may create a risk of fire when used with another battery pack.
  - b) **Use power tools only with specifically designated battery packs.**  
Use of any other battery packs may create a risk of injury and fire.
  - c) **When battery pack is not in use, keep it away from other metal objects like paper clips, coins, keys, nails, screws, or other small metal objects, that can make a connection from one terminal to another.**  
Shorting the battery terminals together may cause burns or a fire.
  - d) **Under abusive conditions, liquid may be ejected from the battery; avoid contact. If contact accidentally occurs, flush with water. If liquid contacts eyes, additionally seek medical help.**  
Liquid ejected from the battery may cause irritation or burns.
- 6) **Service**
- a) **Have your power tool serviced by a qualified repair person using only identical replacement parts.**  
This will ensure that the safety of the power tool is maintained.
- **WARNING** –  
To reduce the risk of injury, user must read instruction manual.

## SAFETY — Continued

### NAILER SAFETY WARNINGS

#### ⚠ WARNING

- **Always assume that the tool contains fasteners.** *Careless handling of the nailer can result in unexpected firing of fasteners and personal injury.*
- **Do not point the tool towards yourself or anyone nearby.** *Unexpected triggering will discharge the fastener causing an injury.*
- **Do not actuate the tool unless the tool is placed firmly against the workpiece.** *If the tool is not in contact with the workpiece, the fastener may be deflected away from your target.*
- **Disconnect the tool from the power source when the fastener jams in the tool.** *While removing a jammed fastener, the nailer may be accidentally activated if it is plugged in.*
- **Use caution while removing a jammed fastener.** *The mechanism may be under compression and the fastener may be forcefully discharged while attempting to free a jammed condition.*
- **Do not use this nailer for fastening electric cables.** *It is not designed for electric cable installation and may damage the insulation of electric cables thereby causing electric shock or fire hazards.*

### IMPORTANT SAFETY INSTRUCTIONS FOR USING NAILERS

#### READ ALL INSTRUCTIONS

#### ⚠ DANGER

#### 1. OPERATORS AND OTHERS IN WORK AREA MUST WEAR SAFETY GLASSES WITH SIDE SHIELDS.



When operating the Nailer, always wear safety glasses with side shields, and make sure others in work area wear safety glasses, too.

Safety glasses must conform to the requirements of American National Standards Institute, ANSI Z87.1 and provide protection against flying particles both from the front and side.

The employer must enforce the use of safety glasses by the Nailer operator and others in work area.

#### ⚠ WARNING

#### 2. NEVER POINT TOOL AT YOURSELF OR OTHERS IN WORK AREA.



Always assume the Nailer contains fasteners.

Never point the Nailer at yourself toward yourself or others, whether it contains fasteners or not.

If fasteners are mistakenly driven, it can lead to severe injuries.

Never engage in horseplay with the Nailer.

Respect the Nailer as a working implement.

#### 3. KEEP FINGERS AWAY FROM TRIGGER WHEN NOT DRIVING FASTENERS TO AVOID ACCIDENTAL FIRING.

Never carry the Nailer with finger on trigger since you could drive a fastener unintentionally and injure yourself or someone else.

Always carry the Nailer by the handle only.

#### 4. CHOICE OF TRIGGERING METHOD IS IMPORTANT.

Read and understand section titled “Methods of operation.” (pages 23–25)

## SAFETY — Continued

5. **ALWAYS WEAR EAR AND HEAD PROTECTION.**  
Always wear ear protection to protect your ears from loud noise.  
Always wear head protection to protect your head from flying objects.
6. **OPERATE WITHIN PROPER TEMPERATURE RANGE.**  
The operating environment for this device is between 32°F (0°C) and 104°F (40°C) so ensure use within this temperature range.  
The device may fail to operate below 32°F (0°C) or above 104°F (40°C).
7. **STORE NAILER PROPERLY, AND BATTERY REMOVED.**  
When not in use, the Nailer, battery and battery charger should be stored in a dry place. Keep out of reach of children. Lock the storage area.
8. **KEEP WORK AREA CLEAN.**  
Cluttered areas invite injuries. Clear all work areas of unnecessary tools, debris, furniture, etc.
9. **KEEP VISITORS AWAY.**  
Do not let visitors handle the Nailer.  
All visitors should be kept safely away from work area.
10. **DRESS PROPERLY.**  
Do not wear loose clothing or jewelry as they can be caught in moving parts.  
Rubber gloves and nonskid footwear are recommended when working outdoors.  
Wear protective hair covering to contain long hair.
11. **CHECK PUSH LEVER BEFORE USE.**  
Make sure the push lever operates properly. (The push lever may be called "Safety".) Never use the Nailer unless the push lever is operating properly, otherwise the Nailer could drive a fastener unexpectedly. Do not tamper with or remove the push lever, otherwise the push lever becomes inoperable.
12. **KEEP ALL SCREWS AND COVERS TIGHTLY IN PLACE.**  
Keep all screws and covers tightly mounted. Check their condition periodically.  
Never use the Nailer if parts are missing or damaged.
13. **DO NOT LOAD FASTENERS WITH TRIGGER OR PUSH LEVER DEPRESSED.**  
When loading fasteners into the Nailer,
  - 1) do not depress the trigger;
  - 2) do not depress the push lever; and
  - 3) keep the Nailer pointed downward.
14. **KEEP FACE, HANDS AND FEET AWAY FROM FIRING HEAD DURING USE.**  
Never place your face, hands or feet closer than 8 inches (200 mm) from the firing head.  
A serious injury can result if the fasteners are deflected by the workpiece, or are driven away from the point of entry.
15. **PLACE NAILER PROPERLY ON WORKPIECE.**  
Do not drive fasteners on top of other fasteners or with the Nailer at too steep of an angle; the fasteners can ricochet and hurt someone.
16. **BEFORE STARTING WORK, CHECK THE FASTENING OPERATION SWITCHING DEVICE.**  
This metabo HPT nailer includes a fastening operation switching device.  
Before starting work, check the setting of the operation switching device.  
If the switching device is not set properly, the nailer will not operate correctly.
17. **BE CAREFUL OF DOUBLE FIRE DUE TO RECOIL.**  
If the push lever is unintentionally allowed to re-contact the workpiece following recoil, an unwanted fastener will be driven.  
In order to avoid this undesirable double fire,
  - Intermittent operation (Trigger firing)
    - 1) Set the switching device to FULL SEQUENTIAL ACTUATION MECHANISM.
    - 2) Pull the trigger rapidly and firmly.
  - Continuous operation (Push lever firing) (NT1865DMA(Y) excluded)
    - 1) Do not press the nailer against the wood with excessive force.
    - 2) Separate the nailer from the wood as it recoils after fastening.
18. **DO NOT DRIVE FASTENERS INTO THIN BOARDS OR NEAR CORNERS AND EDGES OF WORKPIECE.**  
The fasteners can be driven through or away from the workpiece and hit someone.
19. **NEVER DRIVE FASTENERS FROM BOTH SIDES OF A WALL AT THE SAME TIME.**  
The fasteners can be driven into and through the wall and hit a person on the opposite side.
20. **CHECK FOR LIVE WIRES.**  
Avoid the risk of severe electrical shock by checking for live electrical wires that may be hidden by walls, floors or ceilings. Turn off the breaker switch to ensure there are no live wires.
21. **DO NOT OVERREACH.**  
Keep proper footing and balance at all times.

## SAFETY — Continued

### 22. NEVER USE NAILER WHICH IS DEFECTIVE OR OPERATING ABNORMALLY.

If the Nailer appears to be operating unusually, making strange noises, or otherwise appears defective, stop using it immediately and arrange for repairs by a metabo HPT authorized service center.

### 23. REMOVE ALL REMAINING FASTENERS AND BATTERY FROM NAILER WHEN:

- 1) doing maintenance and inspection;
- 2) checking proper operation of push lever and trigger;
- 3) attaching or removing the nose cap;
- 4) clearing a jam;
- 5) it is not in use;
- 6) leaving work area;
- 7) moving it to another location; and
- 8) handing it to another person.

Never attempt to clear a jam or repair the Nailer unless you have removed battery and all remaining fasteners from the Nailer.

The Nailer should never be left unattended since people who are not familiar with the Nailer might handle it and injure themselves.

### 24. REMOVE BATTERY FROM NAILER WHEN:

- 1) loading fasteners;
- 2) turning the adjuster.

### 25. STAY ALERT.

Watch what you are doing. Use common sense.

Do not operate the Nailer when you are tired.

The Nailer should never be used by you if you are under the influence of alcohol, drugs or medication that makes you drowsy.

### 26. HANDLE NAILER CORRECTLY.

Operate the Nailer according to this Manual.

Never allow the Nailer to be operated by children, individuals unfamiliar with its operation or unauthorized personnel.

### 27. NEVER USE NAILER FOR APPLICATIONS OTHER THAN THOSE SPECIFIED IN THIS MANUAL.

### 28. HANDLE NAILER CAREFULLY.

Do not drop the Nailer or strike the Nailer against hard surfaces; and do not scratch or engrave signs on the Nailer. Handle the Nailer carefully.

### 29. MAINTAIN NAILER WITH CARE.

Keep the Nailer clean and lubricated for better and safer performance.

### 30. USE ONLY PARTS, ACCESSORIES OR FASTENERS SUPPLIED OR RECOMMENDED BY metabo HPT.

Unauthorized parts, accessories, or fasteners may void your warranty and can lead to malfunction and resulting injuries.

Only service personnel trained by metabo HPT, distributor or employer shall repair the Nailer.

### 31. NEVER MODIFY OR ALTER A NAILER.

Doing so may cause it to malfunction and personal injuries may result.

### 32. NEVER allow magnets (or similar magnetic devices) to be adjacent to the nailer, because the nailer has a magnetic sensor inside.

Doing so will cause a failure or risk of injury by malfunction.

## IMPORTANT SAFETY INSTRUCTIONS FOR BATTERY CHARGER

### ⚠ WARNING

**Death or serious bodily injury could result from improper or unsafe use of battery chargers.**

**To avoid these risks, follow these basic safety instructions:**

### READ ALL INSTRUCTIONS

1. This manual contains important safety and operating instructions for battery charger Model UC18YFSL.
2. Before using battery charger, read all instructions and cautionary markings on (1) battery charger, (2) battery, and (3) product using battery.
3. To reduce risk of injury, charge metabo HPT rechargeable battery type BSL18 series. Other type of batteries may burst causing personal injury and damage.
4. Use of an attachment not recommended or sold by the battery charger manufacturer may result in a risk of fire, electric shock, or injury to persons.
5. To reduce risk of damage to electric plug and cord, pull by plug when disconnecting battery charger.
6. Make sure cord is located so that it will not be stepped on, tripped over, or otherwise subjected to damage or stress.
7. An extension cord should not be used unless absolutely necessary. Use of improper extension cord could result in a risk of fire and electric shock. If extension cord must be used make sure:
  - a. That blades of extension cord are the same number, size, and shape as those of plug on battery charger;

## SAFETY — Continued

- b. That extension cord is properly wired and in good electrical condition; and
- c. That wire size is large enough for AC ampere rating of battery charger as specified in Table 1.

Table 1  
RECOMMENDED MINIMUM AWG SIZE FOR  
EXTENSION CORDS FOR BATTERY CHARGERS

AC Input Rating Amperes*		AWG Size of Cord			
Equal to or greater than	but less than	Length of Cord, Feet (Meter)			
		25 (7.5)	50 (15)	100 (30)	150 (45)
0	2	18	18	18	16
2	3	18	18	16	14
3	4	18	18	16	14

\* If the input rating of a battery charger is given in watts rather than in amperes, the corresponding ampere rating is to be determined by dividing the wattage rating by the voltage rating—for example:

$$\frac{1,250 \text{ watts}}{125 \text{ volts}} = 10 \text{ amperes}$$

- 8. Do not operate battery charger with damaged cord or plug—replace them immediately.
- 9. Do not operate battery charger if it has received a sharp blow, been dropped, or otherwise damaged in any way; take it to a qualified serviceman.
- 10. Do not disassemble battery charger; take it to a qualified serviceman when service or repair is required. Incorrect reassembly may result in a risk of electric shock or fire.
- 11. To reduce risk of electric shock, unplug charger from receptacle before attempting any maintenance or cleaning. Removing the battery will not reduce this risk.

### IMPORTANT SAFETY INSTRUCTIONS FOR USE OF THE BATTERY AND BATTERY CHARGER

You must charge the battery before you can use the power tool. Before using the model UC18YFSL battery charger, be sure to read all instructions and cautionary statements on it, the battery and in this manual.

**REMEMBER: USE ONLY metabo HPT BATTERY TYPES BSL18 SERIES. OTHER TYPES OF BATTERIES MAY BURST AND CAUSE INJURY!**

Follow these instructions to avoid the risk of injury:

### ⚠ WARNING

**Improper use of the battery or battery charger can lead to serious injury. To avoid these injuries:**

- 1. **NEVER** disassemble the battery.
- 2. **NEVER** incinerate the battery, even if it is damaged or is completely worn out. The battery can explode in a fire.
- 3. **NEVER** short-circuit the battery.
- 4. **NEVER** insert any objects into the battery charger's air vents. Electric shock or damage to the battery charger may result.
- 5. **NEVER** charge outdoors. Keep the battery away from direct sunlight and use only where there is low humidity and good ventilation.
- 6. **NEVER** charge when the temperature is below 32°F (0°C) or above 104°F (40°C).
- 7. **NEVER** connect two battery chargers together.
- 8. **NEVER** insert foreign objects into the hole for the battery or the battery charger.
- 9. **NEVER** use a booster transformer when charging.
- 10. **NEVER** use an engine generator or DC power to charge.
- 11. **NEVER** store the battery or battery charger in places where the temperature may reach or exceed 104°F (40°C) such as inside metal box or car.
- 12. **NEVER** expose the battery or battery charger to rain or wet conditions.
- 13. **ALWAYS** operate charger on standard household electrical power (120 volts). Using the charger on any other voltage may overheat and damage the charger.
- 14. **ALWAYS** wait at least 15 minutes between charges to avoid overheating the charger.



## SAFETY — Continued

15. **ALWAYS** disconnect the power cord from its receptacle when the charger is not in use.

### CAUTION ON LITHIUM-ION BATTERY

To extend the lifetime, the lithium-ion battery equips with the protection function to stop the output.

In the cases of 1 to 3 described below, when using this product, even if you are pulling the switch, the motor may stop. This is not the trouble but the result of protection function.

- When the battery power remaining runs out, the motor stops.  
In such case, charge it up immediately.
- If the tool is overloaded, the motor may stop. In this case, release the switch of tool and eliminate causes of overloading. After that, you can use it again.
- If the battery is overheated under overload work, the battery power may stop.  
In this case, stop using the battery and let the battery cool. After that, you can use it again.

Furthermore, please heed the following warning and caution.

#### **⚠ WARNING**

In order to prevent any battery leakage, heat generation, smoke emission, explosion and ignition beforehand, please be sure to heed the following precautions.

- Make sure that swarf and dust do not collect on the battery.
- During work make sure that swarf and dust do not fall on the battery.
- Make sure that any swarf and dust falling on the power tool during work do not collect on the battery.
- Do not store an unused battery in a location exposed to swarf and dust.
- Before storing a battery, remove any swarf and dust that may adhere to it and do not store it together with metal parts (screws, nails, etc.).
- Do not pierce battery with a sharp object such as a nail, strike with a hammer, step on, throw or subject the battery to severe physical shock.
- Do not use an apparently damaged or deformed battery.
- Do not use the battery in reverse polarity.
- Do not connect directly to an electrical outlets or car cigarette lighter sockets.
- Do not use the battery for a purpose other than those specified.

- If the battery charging fails to complete even when a specified recharging time has elapsed, immediately stop further recharging.
- Do not put or subject the battery to high temperatures or high pressure such as into a microwave oven, dryer, or high pressure container.
- Keep away from fire immediately when leakage or foul odor are detected.
- Do not use in a location where strong static electricity generates.
- If there is battery leakage, foul odor, heat generated, discolored or deformed, or in any way appears abnormal during use, recharging or storage, immediately remove it from the equipment or battery charger, and stop use.
- Do not immerse the battery or allow any fluids to flow inside. Conductive liquid ingress, such as water, can cause damage resulting in fire or explosion. Store your battery in a cool, dry place, away from combustible and flammable items. Corrosive gas atmospheres must be avoided.

#### **⚠ CAUTION**

- If liquid leaking from the battery gets into your eyes, do not rub your eyes and wash them well with fresh clean water such as tap water and contact a doctor immediately.  
If left untreated, the liquid may cause eye-problems.
- If liquid leaks onto your skin or clothes, wash well with clean water such as tap water immediately.  
There is a possibility that this can cause skin irritation.
- If you find rust, foul odor, overheating, discolor, deformation, and/or other irregularities when using the battery for the first time, do not use and return it to your supplier or vendor.

#### **⚠ WARNING**

If an electrically conductive foreign object enters the terminals of the lithium ion battery, a short-circuit may occur resulting in the risk of fire. Please observe the following matters when storing the battery.

- **Do not place electrically conductive cuttings, nails, steel wire, copper wire or other wire in the storage case.**
- **Either install the battery in the power tool or store by securely pressing into the battery cover until the ventilation holes are concealed to prevent short-circuits.**

## SAFETY — Continued

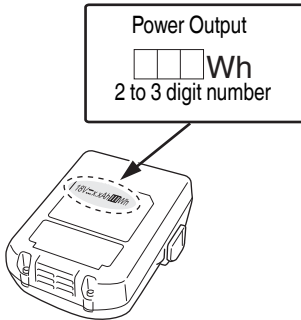
### REGARDING LITHIUM-ION BATTERY TRANSPORTATION

When transporting a lithium-ion battery, please observe the following precautions.

#### ⚠ WARNING

Notify the transporting company that a package contains a lithium-ion battery, inform the company of its power output and follow the instructions of the transportation company when arranging transport.

- Lithium-ion batteries that exceed a power output of 100 Wh are considered to be in the freight classification of Dangerous Goods and will require special application procedures.
- For transportation abroad, you must comply with international law and the rules and regulations of the destination country.



### EMPLOYER'S RESPONSIBILITIES

1. Ensure that this MANUAL is available to operators and personnel performing maintenance.
2. Ensure that Nailers are used only when operators and others in work area are wearing EYE PROTECTOR.
3. Enforce the use of EYE PROTECTOR by operators and others in work area.
4. Keep Nailers in safe working order.
5. Maintain Nailers properly.
6. Ensure that Nailers which require repair are not further used before repair.

**SAVE THESE INSTRUCTIONS  
AND  
MAKE THEM AVAILABLE TO OTHER USERS  
AND  
OWNERS OF THIS TOOL!**

# OPERATION

## NOTE

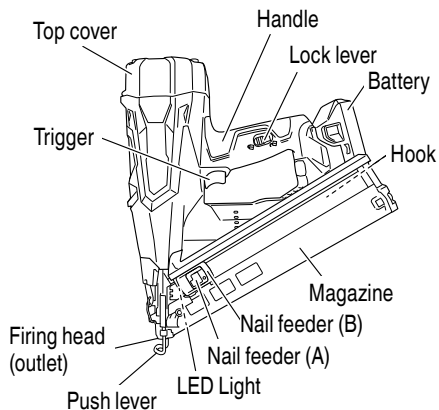
The information contained in this Manual is designed to assist you in the safe operation of the Nailer.

Some illustrations in this Manual may show details or attachments that differ from those on your own Nailer.

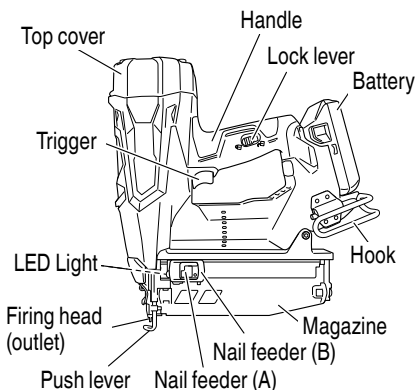
## NAME OF PARTS

### 1. Cordless Finish Nailer

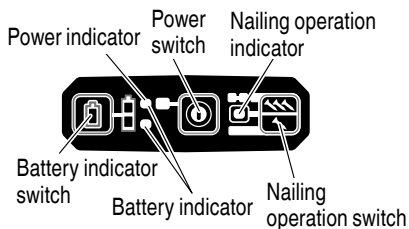
<NT1865DMA(S), NT1865DMA(Y)>



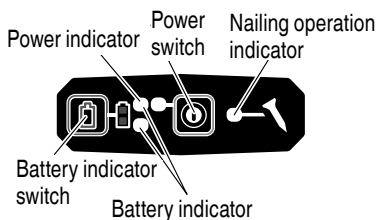
<NT1865DM(S)>



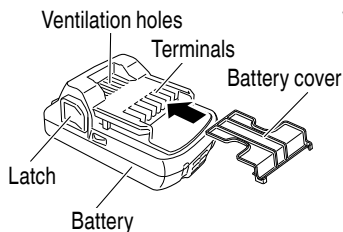
<NT1865DMA(S), NT1865DM(S)>



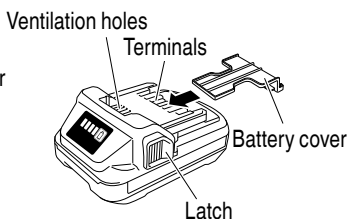
<NT1865DMA(Y)>



### 2. Battery

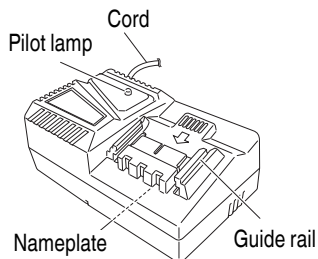


<BSL1830C>



<BSL1820M>

### 3. Battery Charger



<UC18YFSL>

## SPECIFICATIONS

### 1. Cordless Finish Nailer

Model		NT1865DMA(S)	NT1865DMA(Y)	NT1865DM(S)
Motor		DC Brushless		DC Brushless
Applicable Nail		15 Ga		16 Ga
Applicable Nail Length		1-1/4" to 2-1/2" (32 mm to 65 mm)		1" to 2-1/2" (25 mm to 65 mm)
Nail Loading capacity [nails]		100 (1 strip)		100 (2 strips)
Firing mode		Full sequential / Contact (Selectable)	Full sequential	Full sequential / Contact (Selectable)
Cycle rate	[Nails/ second]	3.0 (Intermittent)		
Battery	Model	BSL1830C / BSL1820M		
	Type	Li-ion battery		
	Voltage	DC 18V		
Weight	※ Include battery	7.5 lbs. (3.4 kg)		7.3 lbs. (3.3 kg)
Dimension	Height x Length x Width	13-1/2" x 12-5/32" x 4-1/2" (344 mm x 309 mm x 115 mm)		12-1/2" x 11-3/4" x 4-1/4" (315 mm x 298 mm x 108 mm)

### 2. Battery Charger

Model	UC18YFSL
Input power source	Single phase: AC 120 V 60 Hz
Charging time (At a temperature of 68°F (20°C))	BSL1830C: Approx. 45 min BSL1820M: Approx. 30 min
Charging voltage	DC 14.4–18 V
Charging current	DC 3.5 A
Weight	1.1 lbs. (0.5 kg)

**NOTE** The charging time may vary according to temperature and power source voltage.

## NAIL SELECTION

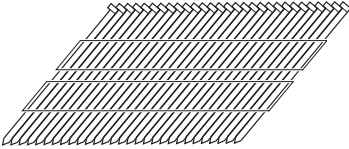
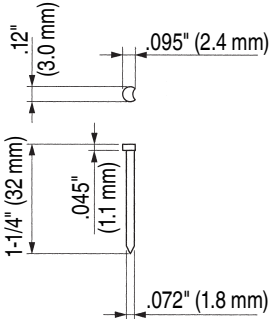

**⚠ WARNING**

- Be sure to use only the genuine metabo HPT nails for the NT1865DM(S), NT1865DMA(Y), NT1865DMA(S). The use of any other nails can result in tool malfunction and/or nail breakdown, leading to serious injuries.

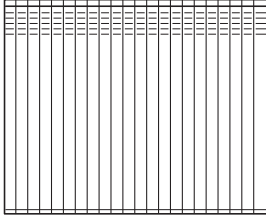
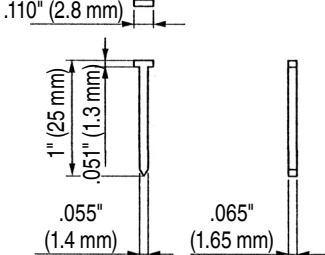
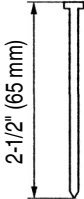
Only nails shown in the Table below can be driven with this Nailer.

### Dimensions of nails

#### <NT1865DMA(S), NT1865DMA(Y)>

	Min.	Max.
<p>15 Gauge finish nails (Angle: 34°)</p> 		

#### <NT1865DM(S)>

	Min.	Max.
<p>16 Gauge finish nails (straight)</p> 		

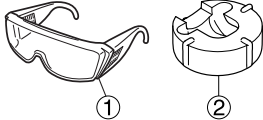
**ACCESSORIES**

**⚠ DANGER**

- Accessories other than those shown below can lead to malfunction and resulting injuries.

**STANDARD ACCESSORIES**

<p>NT1865DM(S) NT1865DMA(S) (LSRK)</p>	<div style="text-align: center;"> </div> <table border="0"> <tbody> <tr> <td>① Safety glasses.....</td> <td>1</td> </tr> <tr> <td>② Battery (BSL1830C).....</td> <td>1</td> </tr> <tr> <td>③ Battery Charger (UC18YFSL).....</td> <td>1</td> </tr> <tr> <td>④ Nose cap (mounted on tool).....</td> <td>1</td> </tr> <tr> <td>⑤ Battery cover (Code No. 329897).....</td> <td>1</td> </tr> <tr> <td>⑥ Contractor bag.....</td> <td>1</td> </tr> </tbody> </table>	① Safety glasses.....	1	② Battery (BSL1830C).....	1	③ Battery Charger (UC18YFSL).....	1	④ Nose cap (mounted on tool).....	1	⑤ Battery cover (Code No. 329897).....	1	⑥ Contractor bag.....	1
① Safety glasses.....	1												
② Battery (BSL1830C).....	1												
③ Battery Charger (UC18YFSL).....	1												
④ Nose cap (mounted on tool).....	1												
⑤ Battery cover (Code No. 329897).....	1												
⑥ Contractor bag.....	1												
<p>NT1865DM(S) NT1865DMA(S) NT1865DMA(Y) (BA)</p>	<div style="text-align: center;"> </div> <table border="0"> <tbody> <tr> <td>① Safety glasses.....</td> <td>1</td> </tr> <tr> <td>② Battery (BSL1820M).....</td> <td>1</td> </tr> <tr> <td>③ Battery Charger (UC18YFSL).....</td> <td>1</td> </tr> <tr> <td>④ Nose cap (mounted on tool).....</td> <td>1</td> </tr> <tr> <td>⑤ Battery cover (Code No. 329897).....</td> <td>1</td> </tr> <tr> <td>⑥ Contractor bag.....</td> <td>1</td> </tr> </tbody> </table>	① Safety glasses.....	1	② Battery (BSL1820M).....	1	③ Battery Charger (UC18YFSL).....	1	④ Nose cap (mounted on tool).....	1	⑤ Battery cover (Code No. 329897).....	1	⑥ Contractor bag.....	1
① Safety glasses.....	1												
② Battery (BSL1820M).....	1												
③ Battery Charger (UC18YFSL).....	1												
④ Nose cap (mounted on tool).....	1												
⑤ Battery cover (Code No. 329897).....	1												
⑥ Contractor bag.....	1												

NT1865DM(S) NT1865DMA(S) (NN)	 ① Safety glasses..... 1 ② Nose cap (mounted on tool)..... 1
-------------------------------------	---

## OPTIONAL ACCESSORIES

sold separately

- BATTERY (BSL1830C/BSL1820M)

### NOTE

Accessories are subject to change without any obligation on the part of metabo HPT.

## APPLICATIONS

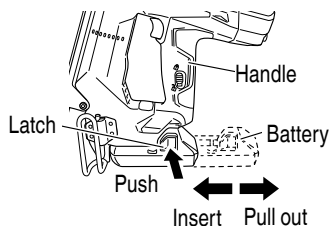
<NT1865DMA(S), NT1865DMA(Y), NT1865DM(S)>

- Nailing as finishing process for areas around the doors, windows as well as edgings.
- Securing the bottom of drawers. Making various cases and cabinets.

## REMOVAL AND INSTALLATION METHOD OF BATTERY

### ⚠ CAUTION

- **Be sure keep the fingers away from the trigger and push lever away from the wood.**
- How to install the battery.  
Align the battery with the groove in tool handle and slip it into place.  
Always insert it all the way until it locks in place with a little click. If not, it may accidentally fall out of the tool, causing injury to you or someone around you.
- How to remove the battery.  
Withdraw battery from the tool handle while pressing the latch (2 pcs) of the battery.



## CHARGING METHOD

### NOTE

Before plugging into the receptacle, make sure the following points.

- The power source voltage is stated on the nameplate.
- The cord is not damaged.

### ⚠ WARNING

**Do not charge at voltage higher than indicated on the nameplate.**

**If charged at voltage higher than indicated on the nameplate, the charger will burn up.**

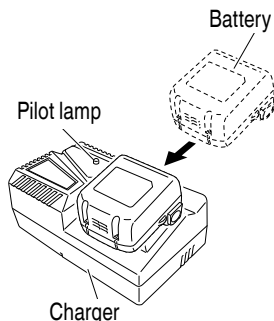
1. Connect the charger's power cord to a receptacle. When the power cord is connected, the charger's pilot lamp will blink in red. (At 1-second intervals)



### ⚠ WARNING

**Do not use the electrical cord if damaged. Have it repaired immediately.**

2. Insert the battery to the battery charger.  
Insert the battery into the battery charger as shown in the figure.



3. Charging

When the battery is connected to the battery charger, charging will commence and the pilot lamp will light in red. (See Table 2)

(1) Pilot lamp indication

The indications of the pilot lamp will be as shown in Table 2, according to the condition of the charger or the rechargeable battery.

**NOTE**

If the pilot lamp flickers in red, pull out the plug from the receptacle and check if the battery is properly mounted.

When the battery is fully charged, the pilot lamp will blink in red slowly. (At 1-second intervals) (See Table 2)

Table 2

Indications of the pilot lamp				
Pilot lamp (red)	Before charging	Blinks	Lights for 0.5 seconds. Does not light for 0.5 seconds. (off for 0.5 seconds) 	
	While charging	Lights	Lights continuously 	
	Charging complete	Blinks	Lights for 0.5 seconds. Does not light for 0.5 seconds. (off for 0.5 seconds) 	
	Overheat standby	Blinks	Lights for 1 second. Does not light for 0.5 seconds. (off for 0.5 seconds) 	Battery overheated. Unable to charge. (Charging will commence when battery cools)
	Charging impossible	Flickers	Lights for 0.1 seconds. Does not light for 0.1 seconds. (off for 0.1 seconds) 	Malfunction in the battery or the charger

(2) Regarding the temperature of the rechargeable battery.

The temperatures for rechargeable batteries are as shown in the Table 3, and batteries that have become hot should be cooled for a while before being recharged.

(3) Regarding recharging time (At 68°F (20°C))

Table 4 Charging time

Charger \ Battery	UC18YFSL
BSL1830C	Approx. 45 min
BSL1820M	Approx. 30 min

Table 3 Recharging ranges of batteries

Rechargeable batteries	Temperatures at which the battery can be recharged
BSL1830C	32°F-122°F
BSL1820M	(0°C-50°C)

**NOTE**

The charging time may vary according to temperature and power source voltage.

4. Disconnect battery charger from the receptacle.

**⚠ CAUTION**

**Do not pull the plug out of the receptacle by pulling on the cord.**  
**Make sure to grasp the plug when removing from receptacle to avoid damaging cord.**



- Remove the battery from the battery charger.  
Supporting the battery charger with hand, pull out the battery from the battery charger.

#### How to make the batteries perform longer

- Recharge the batteries before they become completely exhausted.  
When you feel that the power of the tool becomes weaker, stop using the tool and recharge its battery. If you continue to use the tool and exhaust the electric current, the battery may be damaged and its life will become shorter.
- Avoid recharging at high temperatures.  
A rechargeable battery will be hot immediately after use. If such a battery is recharged immediately after use, its internal chemical substance will deteriorate, and the battery life will be shortened. Leave the battery and recharge it after it has cooled for a while.

#### ⚠ CAUTION

- When the battery charger has been continuously used, the battery charger will be heated, thus constituting the cause of the failures. Once the charging has been completed, give 15 minutes rest until the next charging.
- If the battery is charged while it is heated because it has been left for a long time in a location subject to direct sunlight or because the battery has just been used, the pilot lamp of the charger lights for 1 second, does not light for 0.5 seconds (off for 0.5 seconds). In such a case, first let the battery cool, then start charging.
- When the pilot lamp flickers rapidly in red (at 0.2-second intervals), check for and take out any foreign objects in the charger's battery installation hole. If there are no foreign objects, it is probable that the battery or charger is malfunctioning. Take it to your authorized Service Center.

### BEFORE OPERATION

Read section titled "SAFETY" (pages 3-10).  
Make sure of the followings before operation.

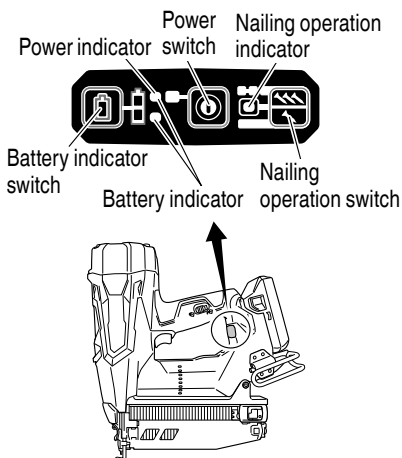
#### PREPARING THE BATTERY

Read section titled "SAFETY, IMPORTANT SAFETY INSTRUCTIONS FOR BATTERY CHARGER" (page 7).

You must charge the battery before use.

The charging method of battery is shown in page 15-17.

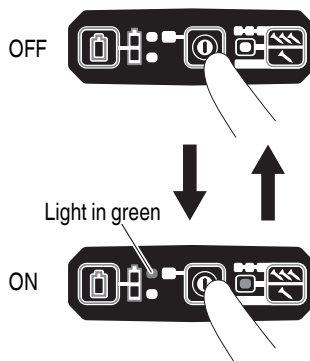
### HOW TO OPERATE OPERATION PANEL



- Power switch ON  
Under the condition of "Power switch OFF", push and hold on Power switch more than 1 second, then power indicator lights in Green.

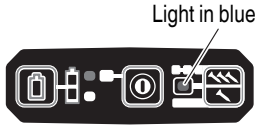
#### NOTE

- Do not press the push lever and/or pull the trigger during the process of turning the power switch ON. Doing so will prevent the power switch from turning ON.



- Power switch OFF  
Under the condition of "Power switch ON", push and hold on Power switch more than 1 second, then power indicator goes off.  
Under the condition of "Power switch ON", functions below are active.

- (3) Select Nailing operation mode  
(Full sequential actuation / Contact actuation)  
After power switch turn ON, always set in Full sequential actuation mode as initial. (Nailing operation indicator light in blue.)



To change nailing operation mode, push Nailing operation switch once. Every pushing, mode will change between "Full sequential" and "Contact".

Lighting (Blue):

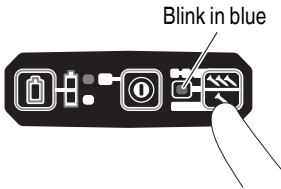
FULL SEQUENTIAL ACTUATION MECHANISM,

Blinking (Blue):

CONTACT ACTUATION MECHANISM

### NOTE

- NT1865DMA(Y) is only equipped for full sequential actuation mechanism mode and cannot be switched nailing operation mode.



- (4) Check Remaining battery level  
When pressing the battery indicator switch, the battery indicator shows Remaining battery level by status of LED lamp as below.

Status of indicator	
<p>2 LEDs (Red) light</p>	The battery remaining power is enough.
<p>1 LED (Red) lights</p>	The battery remaining power is about half.
<p>1 LED (Red) blinks</p>	The battery remaining power is nearly empty. Recharge the battery as soon as possible.

### NOTE

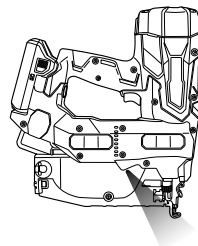
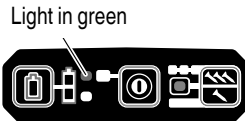
There are situations in which this product will not operate when two LEDs are lit on the remaining battery indicator.

This is not a malfunction but a control feature that is specific to this product. The tool will operate when the battery is recharged.

- (5) Other functions  
In case of operation error, LED lamps show as below.

Status of indicator	
<p>LED light</p> <p>LED light blink in an interval.</p> <ul style="list-style-type: none"> <li>• In case of too hot condition, Blink in 1 second interval.</li> <li>• In case of too cold condition, Blink in 0.5 second interval.</li> </ul> <p>After 10 seconds, automatically turn off LED light and Power switch.</p>	Machine is in too cold (below 23°F (-5°C) or too hot condition. Allow the nailer to cool or warm-up thoroughly in adequate condition.
<p>2 LEDs blink in Orange, after 10 seconds, automatically turn off Power switch.</p>	Contact metabo HPT for inspection

- (6) How to use the LED light  
While the power switch on, the LED light will automatically light up the tip portion of the tool.



**⚠ CAUTION**

- Do not expose directly your eye to the light by looking into the light. If your eye is continuously exposed to the light, your eye will be hurt.
- Wipe off any dirt or grime attached to the lens of the LED light with a soft cloth, being careful not to scratch the lens. Scratches on the lens of the LED light can result in decreased brightness.

(7) Remaining battery indicator

You can check the battery's remaining capacity by pressing the remaining battery indicator switch to light the indicator lamp. (Table 5)

The indicator will shut off approximately 3 seconds after the remaining battery indicator switch is pressed.

It is best to use the remaining battery indicator as a guide since there are slight differences such as ambient temperature and the condition of the battery. Also, the remaining battery indicator may vary from those equipped to a tool or charger.

Remaining battery indicator lamp      Remaining battery indicator switch

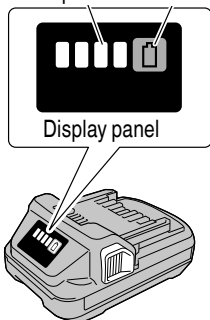


Table 5

State of lamp	Battery Remaining Power
	Lights ; The battery remaining power is over 75%.
	Lights ; The battery remaining power is 50%-75%.
	Lights ; The battery remaining power is 25%-50%.

	Lights ; The battery remaining power is less than 25%.
	Blinks ; The battery remaining power is nearly empty. Recharge the battery soonest possible
	Blinks ; Output suspended due to high temperature. Remove the battery from the tool and allow it to fully cool down.
	Blinks ; Output suspended due to failure or malfunction. The problem may be the battery so please contact your dealer.

As the remaining battery indicator shows somewhat differently depending on ambient temperature and battery characteristics, read it as a reference.

**NOTE**

Do not give a strong shock to the switch panel or break it. It may lead to a trouble.

**TESTING THE NAILER**

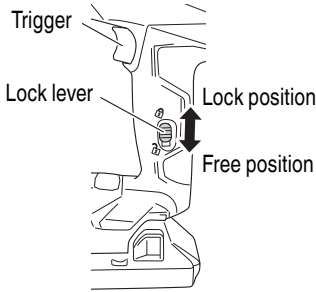
**⚠ DANGER**



- Operators and others in work area **MUST** wear safety glasses with side shields which conforms to ANSI Z87.1 specifications.

**⚠ WARNING**

- Make sure the trigger is locked when not firing nails.  
This Nailer has a lock mechanism to prevent the nails from being fired. Set the lock lever at the position to lock the trigger. Slide the lock lever to the position when the Nailer is to be used, and to the position when it is not in use.



- **Never use Nailer unless push lever is operating properly. The machine employs a preventive mechanism for unloaded operation.**

The machine enters a state where the push lever cannot be pushed up. This takes place when the magazine is not loaded with nails or when the remaining number of nails becomes less than 6 or 9.

**⚠ CAUTION**

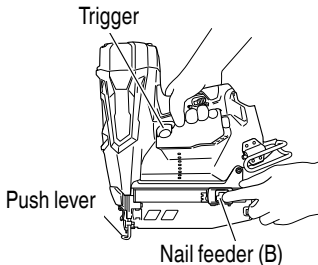
- **Use caution not to throw the push lever tip onto wood.**

Before actually beginning the nailing work, test the Nailer by using the checklist below. Conduct the tests in the following order.

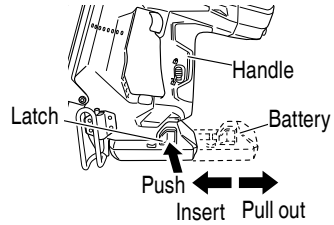
If abnormal operation occurs, stop using the Nailer and contact a metabo HPT authorized service center immediately.

- (1) REMOVE ALL NAILS AND BATTERY FROM NAILER.

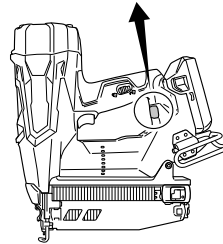
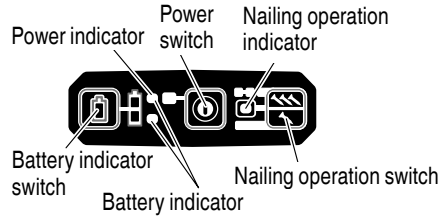
- ALL SCREWS MUST BE TIGHTENED.
- THE PUSH LEVER AND TRIGGER MUST MOVE SMOOTHLY with pulling back the nail feeder (B). Unnecessary to pulling back nail feeder)



- (2) Installing the battery. Do not operate the push lever or trigger while installing the battery.



- (3) Turn on the Power switch.

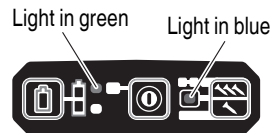


Turn on the Power switch by push and hold on Power switch more than 1 second.

Make sure the power indicator is lighting in green, and nailing operation indicator is lighting in blue. (FULL SEQUENTIAL ACTUATION MECHANISM,)

**NOTE**

- Do not press the push lever and/or pull the trigger during the process of turning the power switch ON. Doing so will prevent the power switch from turning ON.



**[Auto power off]**

When the power is turned on but the Nailer is not used for 30 minutes, the Nailer is automatically turned off. To turn on again, press the power switch.

 <b>WARNING</b>
--

**Never leave the Nailer with the power on. This could result in an accident.**

Nailing operation indicator

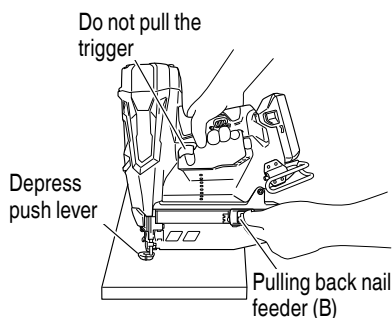
- Lighting (Blue):  
FULL SEQUENTIAL ACTUATION MECHANISM,
- Blinking (Blue):  
CONTACT ACTUATION MECHANISM  
(NT1865DMA(Y) excluded)

Make sure the battery indicator is not blinking.

If the battery indicator is blinking in red, the battery doesn't have enough power and it needs to be charged.

- (4) Remove the finger from the trigger and press the push lever against the workpiece with pulling back the nail feeder (B).

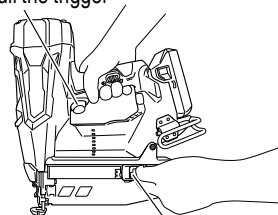
THE NAILER MUST NOT OPERATE.



- (5) Separate the push lever from the workpiece. Next, point the nailer downward, with pulling back the nail feeder (B), pull the trigger and then wait in that position for 5 seconds or longer.

THE NAILER MUST NOT OPERATE.

Pull the trigger



Pulling back nail feeder (B)

- (6) ① Without touching the trigger, depress the push lever against the workpiece with pulling back the nail feeder (B). Next, pull the trigger.

THE NAILER MUST OPERATE.

- ② Hold the trigger back and depress the push lever against the workpiece again.

THE NAILER MUST NOT OPERATE.

- ③ Separate the finger from the trigger. Next, ① is operated again.

THE NAILER MUST OPERATE.

- (7) Separate the push lever from the workpiece, pull the trigger. Depress the push lever against the workpiece within 2 seconds.

THE NAILER MUST NOT OPERATE.

- (8) Set the nailing operation indicator blinking ON mode. (CONTACT ACTUATION MECHANISM) (NT1865DMA(Y) excluded) Push the nailing operation switch once, make sure that the indicator is blinking Blue.

Blink in blue



- Separate the push lever from the workpiece, pull the trigger. Depress the push lever against the workpiece within 2 seconds.

THE NAILER MUST OPERATE.

- (9) If no abnormal operation is observed, you may load nails in the Nailer.  
Drive nails into the workpiece that is the same type to be used in the actual application.

☐ THE NAILER MUST OPERATE PROPERLY.

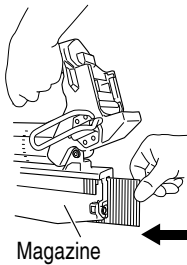
## LOADING NAILS

### ⚠ WARNING

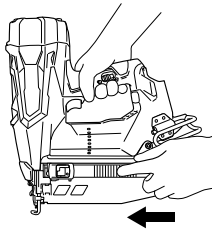
- When loading nails into Nailer,
  - 1) remove battery from the nailer;
  - 2) do not pull trigger;
  - 3) do not depress push lever; and
  - 4) keep nailer pointed downward.

<NT1865DMA(S), NT1865DMA(Y), NT1865DM(S)>  
**2-Action Nail Feeding!**

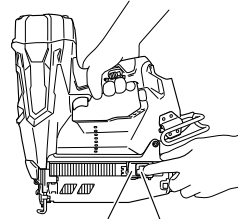
- (1) Insert nail strip into the back of the magazine.



- (2) Slide the nail strip forward in the magazine.



- (3) Push the nail feeder (A) to engage the nail feeder (B) to the nail strip.



Nail feeder (B) Nail feeder (A)

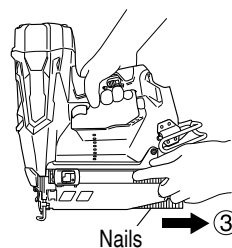
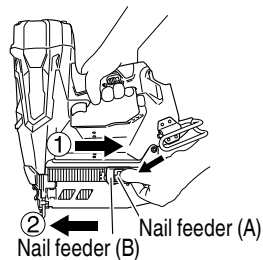
### NOTE

- Quietly push the nail feeder (A) and nail feeder (B) against the nail.  
If the nail feeder (A) and nail feeder (B) are released from backward the magazine and bumped against the nail, the connecting adhesive of the nail can be damaged.
- Use nail strip of more than 10 nails.
- Use an unbroken nail strip with nails of all the same length.

The Nailer is now ready to operate.

Removing the nails:

- ① Pull the nail feeder (B) backward.
- ② Return the nail feeder (B) forward quietly while pushing the nail feeder (A).
- ③ Pull out nails from the back of the magazine.



## NAILER OPERATION

Read section titled "SAFETY" (pages 3–10).

### ⚠ DANGER



- Operators and others in work area **MUST** wear safety glasses with side shields which conforms to ANSI Z87.1 specifications.

### ⚠ WARNING



- **NEVER** point tool at yourself or others in work area.
- Keep fingers **AWAY** from trigger when not driving nails to avoid accidental firing.
- Do not use the electrical cord if damaged. Have it repaired immediately.
- Choice of triggering method is important. Please read and understand "METHODS OF OPERATION" found below.
- Before starting work, check the nailing operation switching device. This metabo HPT nailer includes a nailing operation switching device. Before starting work, make sure that the switching device is properly set. If the switching device is not set properly, the nailer will not operate correctly.
- Never place your face, hands or feet near firing head when using.
- Do not drive nails on top of other nails or with Nailer at too steep of an angle; nails can ricochet and hurt someone.
- Do not drive nails into thin boards or near corners and edges of workpiece. Nails can be driven through or away from workpiece and hit someone.
- Never drive nails from both sides of a wall at the same time. Nails can be driven into and through the wall and hit a person on the opposite side.
- Never use Nailer which is defective or operating abnormally.
- Do not use Nailer as hammer.
- Remove all remaining fasteners and battery from nailer when:
  - 1) doing maintenance and inspection;
  - 2) checking proper operation of push lever and trigger;

- 3) attaching or removing the nose cap;
  - 4) cleaning a jam;
  - 5) it is not in use;
  - 6) leaving work area;
  - 7) moving it to another location; and
  - 8) handing it to another person.
- Remove battery from Nailer when:
    - 1) loading nails;
    - 2) turning the adjuster.

This metabo HPT nailer is equipped with a nailer operation switching device.

Use **FULL SEQUENTIAL ACTUATION MECHANISM** or **CONTACT ACTUATION MECHANISM** in accordance with the work to be performed.

Explanation of the various nailing operations

- **FULL SEQUENTIAL ACTUATION MECHANISM:**

First, press the push lever against the wood; next, pull the trigger to drive the nail.

Follow the same sequence to continue driving nails.

After nailing once, nailing will not be possible again until remove finger from the trigger and lift the tool off the wood surface completely.
- **CONTACT ACTUATION MECHANISM:**
  1. Pull the trigger.
  2. Press the push lever against the wood to drive the nail.
  3. If the trigger is held back, a nail will be driven each time the push lever is pressed against the wood.

The **NT1865DMA(S)**, **NT1865DMA(Y)**, **NT1865DM(S)** employs a preventive mechanism for unloaded operation.

The **NT1865DMA(S)**, **NT1865DMA(Y)**, **NT1865DM(S)** enters a state where the push lever cannot be pushed up. This takes place when the magazine is not loaded with nails or when the remaining number of nails becomes less than 6 or 9.

### ⚠ CAUTION

- Use caution not to throw the push lever tip onto wood when the push lever cannot be pushed up.

## METHODS OF OPERATION

This Nailer is equipped with the push lever and does not operate unless the push lever is depressed.

There are two methods of operation to drive nails with this Nailer.

They are:

1. Intermittent operation (Trigger fire);
  2. Continuous operation (Push lever fire);
- (1) Intermittent operation (Trigger fire)
- Use the **FULL SEQUENTIAL ACTUATION MECHANISM** setting.

**⚠ WARNING**

- For intermittent operation, Set the nailing operation switch to **FULL SEQUENTIAL ACTUATION MECHANISM** (Nailing operation indicator is light in blue.) (i.e. Set to **SINGLE ACTUATION MECHANISM**.)
- To avoid double firing or accidental firing due to recoil.
  - 1) Set to **FULL SEQUENTIAL ACTUATION MECHANISM**.
  - 2) Pull the trigger rapidly and firmly.

- ① Set the nailing operation switch to **FULL SEQUENTIAL ACTUATION MECHANISM** (Nailing operation indicator is light in blue.)
- ② Position the nail outlet on the workpiece with finger off the trigger.
- ③ Depress the push lever firmly until it is completely depressed.
- ④ Pull the trigger to drive a nail.
- ⑤ Remove finger from the trigger and lift the tool off the wood surface completely.

To continue nailing in a separate location, move the nailer along the wood, repeating steps ② - ⑤ as required.

**NOTE**

Operations ③ and ④ should be done within 2 seconds of each other. If more than 2 seconds pass after ③, the Nailer will not work properly. If this happens, retry from ③.

- (2) Continuous operation (Push lever fire)  
Using **CONTACT ACTUATION MECHANISM**  
(NT1865DMA(Y) excluded)

**⚠ WARNING**

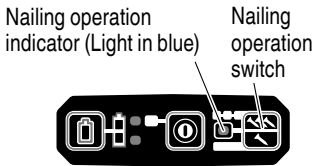
- To avoid double firing or accidental firing due to recoil.
  - 1) Do not press the nailer against the wood with excessive force.
  - 2) Separate the nailer from the wood as it recoils after nailing.

- ① Set the nailing operation switch to **CONTACT ACTUATION MECHANISM** (Nailing operation indicator is blink in blue.)
- ② Pull the trigger with the Nailer off the workpiece.
- ③ Depress the push lever against the workpiece to drive a nail.
- ④ Move the Nailer along the workpiece with a bouncing motion.

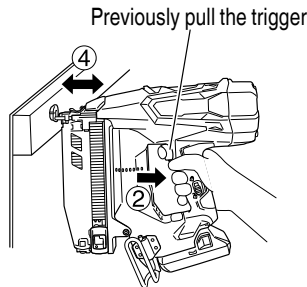
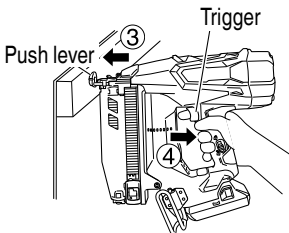
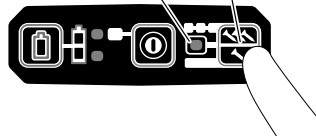
Each depression of the push lever will drive a nail. As soon as the desired number of nails have been driven, remove finger from the trigger.

**NOTE**

Operations ② and ③ should be done within 2 seconds of each other. If more than 2 seconds pass after ②, the Nailer will not work properly. If this happens, retry from ②.



Nailing operation indicator (blink in blue)      Nailing operation switch





**⚠ WARNING**

- Keep your finger off the trigger except during nailing operation, because serious injury could result if the push lever accidentally contacts you or others in work area.
- Keep hands and body away from the discharge area. This metabo HPT nailer may bounce from the recoil of driving a nail and unwanted subsequent nail may be driven, possibly causing injury.

**NOTE**

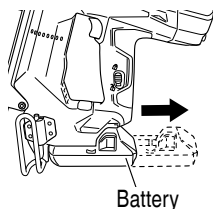
- If all warnings and instructions are followed, safe operation is possible with all two systems: FULL SEQUENTIAL ACTUATION MECHANISM, CONTACT ACTUATION MECHANISM. For NT1865DMA(Y), product only features the FULL SEQUENTIAL ACTUATION MECHANISM.
- Always handle nails and package carefully. If nails are dropped, collating bond may be broken, which will cause mis-feeding and jamming.
- After nailing:
  - 1) remove battery from the Nailer;
  - 2) remove all nails from the Nailer;

**ADJUSTING THE NAILING DEPTH**

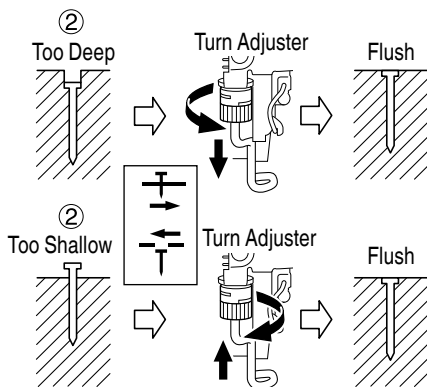
To assure that each nail penetrates to the same depth, be sure that the Nailer is always held firmly against the workpiece.

If nails are driven too deep or shallow into the workpiece, adjust the nailing in the following order.

- ① Remove the battery from the Nailer.



- ② If nails are driven too deep, turn the adjuster to the shallow side. Adjustments are in half-turn increments.



If nails are driven too shallow, turn the adjuster to the deep side.

- ③ Stop turning the adjuster when a suitable position is reached for a nailing test.
- ④ Connect the battery to the Nailer. ALWAYS WEAR SAFETY GLASSES. Perform a nailing test.
- ⑤ Remove the battery from the Nailer.
- ⑥ Choose a suitable position for adjuster.

**USING THE HOOK**

**⚠ WARNING**

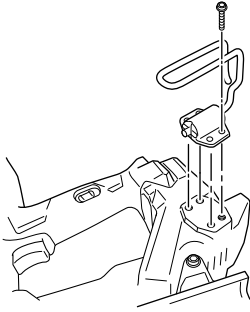
- When using the hook, turn off the power switch (green light "OFF"). Pay sufficient attention so that the main equipment does not fall. If the tool falls, there is a risk of accident.

Hook can be installed on the left or right side. (excluding NT1865DMA(S))

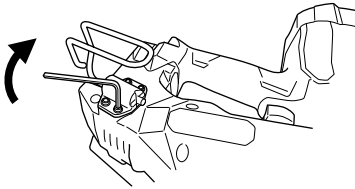
- (1) Securely hold the main unit and remove the screw using an allen wrench.



(2) Remove the hook and hook plate.



(3) Install the hook on the other side and securely fasten with screw.



**NOTE**

Hook can be used as a hanger.

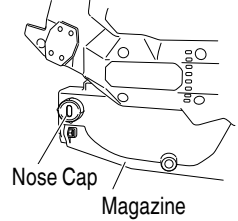
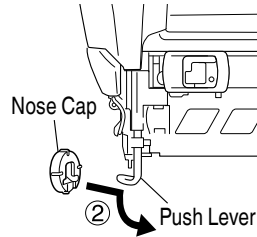
**USING THE NOSE CAP**

**⚠ WARNING**

- When attaching or detaching the nose cap, be sure to remove your finger from the trigger and remove all remaining fasteners and the battery from the nailer.

If you like to protect the surface of workpiece against scratches or markings made by the push lever, attach the accessory nose cap to the push lever.

- ① Remove all remaining fasteners and battery from nailer.
- ② Put the nose cap to the toe of the push lever.
- ③ The nose cap is marked to indicate the exit point of the nail, making alignment easier.
- ④ When not using the nose cap, secure in the storage compartment located on the reverse side of the magazine.



NT1865DMA(S), NT1865DMA(Y)

NT1865DM(S)

**NOTE**

- The nose cap may reduce nailing depth due to its thickness. Re-adjustment of nailing depth is required.

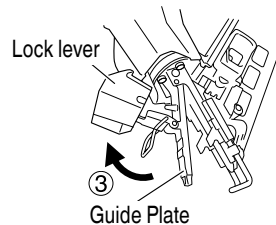
**CLEARING A JAM**

If nails are jammed in firing head, remove it, and adjust the nailing in the following order.

**⚠ CAUTION**

- Remove the battery from the Nailer.

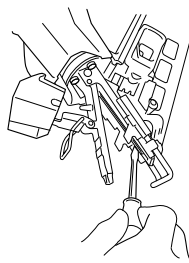
- ① Remove the battery from the Nailer.
- ② Remove all nails.
- ③ Release the Lock lever and open guide plate.



- ④ Remove the jammed nail with a slotted-head screwdriver.

### ⚠ CAUTION

- NEVER hit the driver blade.
- NEVER point the tool at yourself or another person, to avoid risk of injury by mis-firing. Even if the battery is removed from the nailer, there is still energy of compressed air remaining inside.



- ⑤ Close guide plate and latch.

### NOTE

- In case of frequent jam, contact a metabo HPT authorized service center.

## MAINTENANCE

### NOTE

The information contained in this Manual is designed to assist you in the safe maintenance of the Nailer.

Some illustrations in this Manual may show details or attachments that differ from those on your own Nailer.

### MAINTENANCE AND INSPECTION

<Nailer>

Read section titled "SAFETY" (pages 3–10).

#### ⚠ WARNING

- Remove battery and all remaining fasteners from Nailer when:
    - 1) doing maintenance and inspection; and
    - 2) clearing a jam.
1. Inspecting the magazine
    - ① Remove battery.
    - ② Clean the magazine. Remove dust and wooden chips which may have accumulated in the magazine.

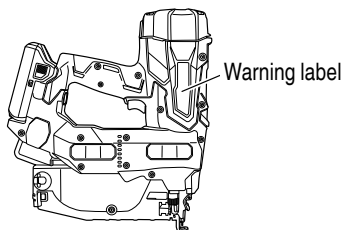
### ⚠ CAUTION

- Check that the nail feeder slides smoothly by pulling it with finger. If not smooth, nails can be driven at an irregular angle and hurt someone.

2. Storing
  - Do not store the Nailer, and battery in a cold weather environment. Keep them in a warm area.
  - When not in use, the Nailer, and battery should be stored in a warm and dry place. Keep it out of reach of children.
3. WARNING LABEL
 

Change the WARNING LABEL if missing or damaged.

A new WARNING LABEL is available from a metabo HPT authorized service center.



4. Maintenance chart (See page 28)
5. Operator troubleshooting (See page 28–29)
6. Disposal of the exhausted battery

**⚠ WARNING**

Do not dispose of the exhausted battery. The battery must explode if it is incinerated. The product that you have purchased contains a rechargeable battery. The battery is recyclable. At the end of its useful life, under various state and local laws, it may be illegal to dispose of this battery into the municipal waste stream. Check with your local solid waste officials for details in your area for recycling options or proper disposal.

- Storage  
Storing in a place below 104°F (40°C) and out of the reach of children.

**NOTE**

Storing lithium-ion batteries  
Make sure the lithium-ion batteries have been fully charged before storing them.  
Prolonged storage (3 months or more) of batteries with a low charge may result in performance deterioration, significantly reducing battery usage time or rendering the batteries incapable of holding a charge.  
However, significantly reduced battery usage time may be recovered by repeatedly charging and using the batteries two to five times.  
If the battery usage time is extremely short despite repeated charging and use, consider the batteries dead and purchase new batteries.

Maintenance chart

ACTION	WHY	HOW
Clean magazine and feeder mechanism.	Prevent a jam.	Blow clean daily.
Keep push lever working properly.	Promote operator safety and efficient Nailer operation.	Blow clean daily.

Operator troubleshooting

Most minor problems can be resolved quickly and easily using the table below.  
If problems persist, contact a metabo HPT authorized service center for assistance.

PROBLEM	CHECK METHOD	CORRECTION
Power switch doesn't turn on. Turn on once, but turn off automatically.	Low battery charge.	Charge the battery.
	Damaged internal electronics.	Contact metabo HPT for inspection.
	Push lever and/or trigger is ON state ?	Keep push lever and trigger in OFF state.
	Keep no operation over 30 minutes ? (Auto-power off function)	Push and hold power switch more than 1 second to switch "ON"

**⚠ CAUTION**

In the operation and maintenance of power tools, the safety regulations and standards prescribed in each country must be observed.

**Important notice on the batteries for the metabo HPT cordless power tools**

Please always use one of our designated genuine batteries. We cannot guarantee the safety and performance of our cordless power tool when used with batteries other than these designated by us, or when the battery is disassembled and modified (such as disassembly and replacement of cells or other internal parts).

**SERVICE AND REPAIRS**

**⚠ WARNING**

- Only service personnel trained by metabo HPT, distributor or employer shall repair the Nailer.
- Use only parts supplied or recommended by metabo HPT for repair.

All quality Nailers will eventually require servicing or replacement of parts because of wear from normal use.

**NOTE**

Specifications are subject to change without any obligation on the part of metabo HPT.

PROBLEM	CHECK METHOD	CORRECTION
Nailer doesn't operate (Power switch ON).	Nailer not enough pressed against workpiece.	Hold nailer firmly and press to the workpiece completely.
	Trigger not enough pulled.	Pull the trigger firmly.
	More than 2 seconds pass from push lever ON to trigger ON (or trigger ON to push lever ON).	Make sure that less than 2 seconds pass between push lever ON and trigger ON (or between trigger ON and push lever ON).
	Preventive mechanism activated. (No nails, or too few fasteners remaining) (NT1865DMA(S) / NT1865DM(S) only)	Reload the nails into magazine.
	Lock lever(Trigger lock function) is "ON" position.	Set Lock lever to "OFF" position. (Refer to page 19–20)
	Machine is too cold (below 23°F (-5°C)) or too hot. (LED light blinks at regular intervals, and power switch goes off after 10 seconds.) (Refer to page 18)	Allow the nailer to cool or warm-up thoroughly in adequate condition.
	Damaged internal electronics.	Contact metabo HPT for inspection.
Nailer operates, but no nail is driven.	Magazine is dirty.	Blow and wipe clean the magazine.
	Check for a jam.	Clear a jam (refer to page 26).
	Driver blade worn or damaged?	Contact metabo HPT for inspection.
	Ribbon spring weakened or damaged?	Replace ribbon spring.
	Nail feeder damaged?	Replace nail feeder.
	Check for proper nails.	Use only recommended nails.
Weak drive. Slow to cycle.	Check position of nailing depth adjustment adjuster.	Readjust according to page 25.
	Driver blade worn?	Contact metabo HPT for inspection.
	Compressed air pressure has become low.	Contact metabo HPT for inspection.
	Damaged internal electronics.	Contact metabo HPT for inspection.
Drives too deep.	Check position of nailing depth adjustment adjuster.	Readjust according to page 25.
Skipping nails. Intermittent feed.	Check for proper nails.	Use only recommended nails.
	Nail feeder damaged?	Replace nail feeder.
	Ribbon spring weakened or damaged?	Replace ribbon spring.
	Driver blade worn or damaged?	Contact metabo HPT for inspection.
Nails jam. Driven nail is bent.	Check for proper nails.	Use only recommended nails.
	Driver blade worn or damaged?	Contact metabo HPT for inspection.
Remaining battery indicator on the machine doesn't match to battery	—	Refer to the indicator lamp on the battery.

## INFORMATION IMPORTANTE



Lire et bien assimiler toutes les étiquettes de l'outil ainsi que toutes les instructions de fonctionnement, les consignes de sécurité et les avertissements de ce mode d'emploi avant d'utiliser ou d'entretenir ce cloueur.

Le non respect des avertissements pourrait entraîner la MORT ou des BLESSURES GRAVES.

La plupart des accidents résultant de l'utilisation ou de l'entretien des cloueurs sont dus au non respect de certaines consignes et précautions de sécurité élémentaires. Un accident peut souvent être évité en reconnaissant une situation potentiellement dangereuse avant qu'elle ne se produise, et en respectant les procédures de sécurité applicables.

Les consignes de sécurité élémentaires sont données dans la section "SECURITE" du manuel et dans les sections relatives aux instructions d'utilisation et d'entretien.

Les dangers à éviter pour empêcher tout risque de blessures ou de dommage de l'outil sont identifiés par les mots DANGER et AVERTISSEMENT, sur le cloueur et dans ce manuel.

Ne jamais utiliser ce cloueur pour des applications autres que celles qui sont spécifiées dans ce manuel.

## DEFINITION DES MOTS DE SIGNALISATION

**DANGER** indique une situation imminente dangereuse qui, si elle n'est pas évitée, entraînera la mort ou des blessures graves.

**AVERTISSEMENT** indique une situation potentiellement dangereuse qui, si elle n'est pas évitée, risque d'entraîner la mort ou des blessures graves.

**ATTENTION** indique une situation potentiellement dangereuse qui, si elle n'est pas évitée, risque d'entraîner des blessures légères ou modérées, ou d'endommager l'outil.

**REMARQUE** met en relief les informations essentielles.

## EXPLICATION DE L'ACTION DE CLOUAGE DU CLOUEUR metabo HPT

- **MÉCANISME DE DÉCLENCHEMENT SÉQUENTIEL COMPLET:**  
Appuyer tout d'abord le levier-poussoir contre le bois, puis tirer sur la gâchette pour enfoncer le clou. Procéder de la même façon pour continuer à enfoncer des clous.
- **MÉCANISME DE DÉCLENCHEMENT PAR CONTACT: (NT1865DMA(Y) non compris)**  
Tirer tout d'abord sur la gâchette, puis appuyer le levier-poussoir contre le bois pour enfoncer le clou.  
Si la gâchette est maintenue tirée, un clou s'enfonce chaque fois que l'on appuie le levier-poussoir contre le bois.

# SECURITE

## AVERTISSEMENTS DE SÉCURITÉ GÉNÉRAUX CONCERNANT LES OUTILS ÉLECTRIQUES

### △ AVERTISSEMENT

#### **Lire tous les avertissements de sécurité et toutes les instructions**

Tout manquement à observer ces avertissements et instructions peut engendrer des chocs électriques, des incendies et/ou des blessures graves.

#### **Conservez tous les avertissements et toutes les instructions pour vous y référer ultérieurement.**

Le terme "outil électrique", utilisé dans les avertissements, se réfère aux outils électriques (câblé) ou aux outils à piles (sans fil).

### 1) Sécurité de l'aire de travail

#### a) **Maintenir l'aire de travail propre et bien éclairée.**

Les endroits encombrés ou sombres sont propices aux accidents.

#### b) **Ne pas utiliser d'outils électriques en présence de liquides, gaz ou poussière inflammables, au risque de provoquer une explosion.**

Les outils électriques créent des étincelles susceptibles d'enflammer la poussière.

#### c) **Ne pas laisser les enfants et les visiteurs s'approcher de vous lorsque vous utiliser un outil électrique.**

Les distractions peuvent faire perdre le contrôle.

### 2) Sécurité électrique

#### a) **Les prises de l'outil électrique doivent correspondre à la prise secteur.**

**Ne jamais modifier la prise.**

**Ne pas utiliser d'adaptateurs avec les outils électriques mis à la masse.**

Les prises non modifiées et les prises secteurs correspondantes réduisent les risques de choc électrique.

#### b) **Éviter tout contact avec les surfaces mises à la masse telles que les tuyaux, radiateurs, bandes et réfrigérateurs.**

Le risque de choc électrique est accru en cas de mise à la masse du corps.

#### c) **Ne pas exposer les outils électriques à la pluie ou à des conditions humides.**

Si l'eau pénètre dans l'outil, cela augmente les risques de choc électrique.

#### d) **Ne pas utiliser le cordon à tort. Ne jamais utiliser le cordon pour transporter ou débrancher l'outil électrique.**

**Maintenir le cordon loin de la chaleur, de l'huile, des bords pointus ou des pièces mobiles.**

Les cordons endommagés ou usés augmentent les risques de choc électrique.

#### e) **En cas d'utilisation d'un outil électrique à l'extérieur, utiliser un cordon de rallonge adapté à un usage extérieur.**

L'utilisation d'un cordon adapté à l'usage extérieur réduit les risques de choc électrique.

#### f) **Si vous devez utiliser un outil électrique dans un endroit humide, utilisez une alimentation protégée contre les courants résiduels.**

L'utilisation d'un dispositif de protection contre les courants résiduels réduit le risque de choc électrique.

### 3) Sécurité personnelle

#### a) **Restez alerte, regarder ce que vous faites et usez de votre bon sens en utilisant un outil électrique.**

**Ne pas utiliser d'outil électrique si vous êtes sous l'influence de drogues, d'alcool ou de médicaments.**

Pendant l'utilisation d'outils électrique, un instant d'inattention peut entraîner des blessures graves.

#### b) **Utiliser un équipement de protection individuelle. Toujours porter des verres de protection.**

L'utilisation d'équipements de protection tels que les masques anti-poussière, les chaussures de sécurité anti-dérapantes, les casques ou les protections auditives dans des conditions appropriées réduisent les risques de blessures.

#### c) **Empêcher les démarrages intempestifs. Veiller à ce que l'interrupteur soit en position d'arrêt avant de brancher à une source d'alimentation et/ou une batterie, de ramasser l'outil au sol ou de le transporter.**

## SECURITE — Suite

Transporter les outils électriques avec le doigt sur l'interrupteur ou brancher les outils électriques avec l'interrupteur en position de marche peut entraîner des accidents.

- d) **Retirer toute clé de sécurité ou clé avant de mettre l'outil électrique en marche.**

Laisser une clé ou une clé de sécurité sur une partie mobile de l'outil électrique peut engendrer des blessures.

- e) **Ne pas trop se pencher. Toujours garder une bonne assise et un bon équilibre pendant le travail.**

Cela permet un meilleur contrôle de l'outil électrique dans des situations imprévisibles.

- f) **Porter des vêtements adéquats. Ne pas porter de vêtements amples ni de bijoux. Maintenir les cheveux, les vêtements et les gants loin des pièces mobiles.**

Les vêtements amples ou les cheveux longs peuvent se prendre dans les pièces mobiles.

- g) **En cas de dispositifs destinés au raccordement d'installations d'extraction et de recueil de la poussière, veiller à ce qu'ils soient correctement raccordés et utilisés.**

L'utilisation d'un dispositif de collecte de la poussière peut réduire les dangers associés à la poussière.

- 4) **Utilisation et entretien d'un outil électrique**

- a) **Ne pas forcer sur l'outil électrique. Utiliser l'outil électrique adapté à vos travaux.**

Le bon outil électrique fera le travail mieux et en toute sécurité au régime pour lequel il a été conçu.

- b) **Ne pas utiliser l'outil électrique si l'interrupteur ne le met pas en position de marche et d'arrêt.**

Tout outil ne pouvant être contrôlé par l'interrupteur est dangereux et doit être réparé.

- c) **Débrancher la prise ou retirer la batterie avant de procéder à des réglages, au remplacement des accessoires ou au stockage des outils électriques.**

Ces mesures préventives de sécurité réduisent les risques de démarrage accidentel de l'outil électrique.

- d) **Stockez les outils électriques inutilisés hors de la portée des enfants et ne pas laisser des personnes non familiarisées avec l'outil ou ces instructions utiliser l'outil électrique.**

Les outils électriques sont dangereux entre les mains d'utilisateurs non habilités.

- e) **Entretenir les outils électriques. Vérifier l'absence de mauvais alignement ou d'arrêt, d'endommagement de pièces ou toute autre condition susceptible d'affecter l'opération de l'outil.**

**Si l'outil est endommagé, le faire réparer avant utilisation.**

De nombreux accidents sont dus à des outils mal entretenus.

- f) **Maintenir les outils coupants aiguisés et propres.**

Des outils coupants bien entretenus avec des bords aiguisés sont moins susceptibles de se coincer et plus simples à contrôler.

- g) **Utiliser l'outil électrique, les accessoires et les mèches de l'outil, etc. conformément à ces instructions en tenant compte des conditions d'utilisation et du travail à réaliser.**

L'utilisation de l'outil électrique pour des opérations différentes de celles pour lesquelles il a été conçu est dangereuse.

- 5) **Utilisation et entretien de la batterie**

- a) **Recharger la batterie uniquement avec le chargeur recommandé par le fabricant.**

Un chargeur inadéquat pour le type de batterie peut entraîner un risque d'incendie en cas d'utilisation avec une autre batterie.

- b) **Utiliser les outils électriques uniquement avec les batteries spécifiées.**

L'utilisation d'autres batteries peut entraîner un risque de blessures et d'incendie.

- c) **Lorsque la batterie est inutilisée, la garder à l'écart d'objets métalliques comme des trombones, des pièces de monnaie, des clés, des clous, des vis ou autres petits objets métalliques pouvant raccorder les bornes.**

La connexion des bornes peut entraîner des blessures ou un incendie.

- d) **En cas d'utilisation dans des conditions extrêmes, du liquide peut être émis de la batterie. Éviter tout contact. En cas de contact accidentel, rincer à l'eau. Si le liquide entre en contact avec les yeux, consulter un médecin.**

Le liquide émis par la batterie peut entraîner des irritations et des brûlures.



## SECURITE — Suite

### 6) Service

- a) **Faire entretenir l'outil électrique par un technicien habilité à l'aide de pièces de rechange identiques exclusivement.**

Cela garantira le maintien de la sécurité de l'outil électrique.

### – AVERTISSEMENT –

**Pour réduire tout risque de blessure, l'utilisateur doit lire le mode d'emploi.**

## CONSIGNES DE SÉCURITÉ POUR CLOUEUR

### AVERTISSEMENT

- **Prenez toujours pour acquis que l'outil contient des clous.** *Une manipulation imprudente du cloueur peut entraîner un déclenchement inattendu des clous et des blessures physiques.*
- **Ne pointez pas l'outil vers vous-même ou vers toute personne se trouvant à proximité.** *Un déclenchement inattendu de la gâchette expulsera un clou causant une blessure.*
- **N'actionnez pas l'outil à moins qu'il ne soit placé fermement contre la pièce.** *Si l'outil n'entre pas en contact avec la pièce, le clou peut être dévié de sa cible.*
- **Débranchez l'outil de la source d'alimentation lorsqu'un clou est coincé dans l'outil.** *Le cloueur peut être accidentellement activé s'il est branché alors que vous retirez un clou coincé.*
- **Prenez garde lorsque vous retirez un clou coincé.** *Le mécanisme peut être comprimé et le clou peut être propulsé avec force pendant que vous essayez de le décoincer.*
- **N'utilisez pas ce cloueur pour attacher des câbles électriques.** *Il n'est pas conçu pour l'installation de câbles électriques et peut endommager l'isolation des câbles électriques, causant ainsi un choc électrique ou un risque d'incendie.*

## SECURITE — Suite

## CONSIGNES DE SECURITE IMPORTANTES POUR L'UTILISATION DU CLOUEUR

## LIRE TOUTES CES INSTRUCTIONS

## ⚠ DANGER

**1. LES OPÉRATEURS ET LES AUTRES PERSONNES DANS L'AIRE DE TRAVAIL DOIVENT PORTER DES LUNETTES DE PROTECTION AVEC VISIÈRES LATÉRALES.**

Quand on utilise le cloueur, toujours porter des lunettes de protection avec visières latérales, et veiller à ce que les autres personnes dans la zone de travail en portent également.

Les lunettes de protection devront respecter les exigences de l'ANSI (American National Standards Institute) Z87.1 et assurer la protection contre les projections de particules arrivant par l'avant et par le côté.

L'employeur doit veiller à ce que la personne qui utilise le cloueur et les autres personnes dans l'aire de travail portent des lunettes de protection.

## ⚠ AVERTISSEMENT

**2. NE JAMAIS DIRIGER L'OUTIL VERS SOI NI VERS QUELQU'UN D'AUTRE DANS L'AIRE DE TRAVAIL.**

Toujours supposer que le cloueur renferme des clous.

Ne jamais diriger le cloueur vers soi ni vers quelqu'un d'autre, qu'il renferme des clous ou non.

Si l'on enfonce des clous par erreur, cela risque de provoquer des blessures graves.

Ne jamais s'amuser avec le cloueur.

Le cloueur est un instrument de travail. Le respecter.

**3. NE PAS APPROCHER LES DOIGTS DE LA GÂCHETTE QUAND ON N'EFFECTUE PAS DE CLOUAGE POUR ÉVITER TOUT RISQUE DE DÉCLENCHEMENT ACCIDENTEL.**

Ne jamais transporter l'outil avec le doigt sur la gâchette, car on risquerait d'enfoncer accidentellement un clou et de se blesser ou de blesser quelqu'un d'autre.

Toujours transporter le cloueur exclusivement par sa poignée.

**4. LE CHOIX DE LA MÉTHODE D'UTILISATION DE LA GÂCHETTE EST IMPORTANT.**

Lire et bien assimiler la section intitulée "Méthodes d'utilisation". (pages 55–56).

**5. TOUJOURS PORTER DES PROTECTIONS ANTI-BRUIT ET UN CASQUE.**

Toujours porter des protections anti-bruit pour ne pas s'endommager l'ouïe.

Toujours porter un casque pour se protéger la tête contre les projectiles.

**6. FAIRE FONCTIONNER DANS LA PLAGE DE TEMPÉRATURE APPROPRIÉE.**

L'environnement de fonctionnement de cet appareil se situe entre 32°F (0°C) et 104°F (40°C); veiller à l'utiliser dans cet intervalle de températures.

L'appareil est susceptible de mal fonctionner à une température inférieure à 32°F (0°C) ou supérieure à 104°F (40°C).

**7. RANGER LE CLOUEUR CORRECTEMENT, AVEC LA BATTERIE SORTIE.**

Lorsqu'ils ne servent pas, ranger le cloueur, la batterie et le chargeur de batterie dans un endroit sec. Ranger hors de portée des enfants. Verrouiller la zone de rangement.

**8. MAINTENIR L'AIRE DE TRAVAIL PROPRE.**

Une aire encombrée invite les blessures. Enlever tous les outils inutiles, débris, meubles, etc. de l'aire de travail.

**9. ÉLOIGNER LES VISITEURS.**

Ne pas laisser les visiteurs manipuler le cloueur.

Tous les visiteurs devront rester en dehors de l'aire de travail.

**10. PORTER UN HABILLEMENT APPROPRIÉ.**

Ne porter ni vêtements lâches ni bijoux qui pourraient se prendre dans les pièces en mouvement.

Porter des gants de caoutchouc et des chaussures solides si l'on travaille dehors.

Si l'on a les cheveux longs, les maintenir serrés dans un couvre-chef.

## SECURITE — Suite

### 11. VERIFIER LE LEVIER-POUSSOIR AVANT L'UTILISATION.

S'assurer que le levier-poussoir fonctionne correctement. (Le levier-poussoir est parfois appelé "sécurité".) Ne jamais utiliser le cloueur si le levier-poussoir ne fonctionne pas correctement. Un clou pourrait s'enfoncer accidentellement. Ne pas toucher au levier-poussoir ni le retirer, car il pourrait ne plus fonctionner.

### 12. VEILLER A CE QUE TOUTES LES VIS ET LES COUVERCLES SOIENT EN PLACE ET BIEN SERRES.

Veiller à ce que les vis et les couvercles soient solidement fixés. Les vérifier périodiquement. Ne jamais utiliser le cloueur si des pièces manquent ou sont endommagées.

### 13. NE PAS CHARGER DE CLOUS SI LA GACHETTE OU LE LEVIER-POUSSOIR SONT ENFONCES.

Quand on charge des clous dans le cloueur,  
1) ne pas appuyer sur la gâchette ;  
2) ne pas actionner le levier-poussoir ; et  
3) diriger le cloueur vers le bas.

### 14. TENIR LE VISAGE, LES MAINS ET LES PIEDS ÉLOIGNÉS DE LA TÊTE DE CLOUAGE PENDANT L'UTILISATION.

Ne jamais approcher le visage, les mains ou les pieds à moins de 8 po (200 mm) de la tête de clouage.

Il y a risque de blessures graves si les clous sont déviés par la pièce ou qu'ils sont déportés au-delà du point d'entrée.

### 15. PLACER LE CLOUEUR CORRECTEMENT SUR LA PIÈCE.

Ne pas enfoncer de clous sur d'autres clous ni avec le cloueur à un angle trop aigu ; les clous pourraient ricocher et blesser quelqu'un.

### 16. AVANT DE COMMENCER LE TRAVAIL, VÉRIFIER LE DISPOSITIF DE COMMUTATION DE L'OPÉRATION DE CLOUAGE.

Ce cloueur metabo HPT comprend un dispositif de commutation de l'opération de clouage.

Avant de commencer le travail, vérifier le réglage du dispositif de commutation de l'opération de clouage.

Si le dispositif de commutation de l'opération de clouage n'est pas réglé correctement, le cloueur ne fonctionnera pas correctement.

### 17. FAIRE ATTENTION AUX DOUBLES ACTIVATIONS DUES AU RAPPEL.

Si on laisse le levier-poussoir entrer accidentellement en contact avec la pièce après le rappel, un clou risque d'être enfoncé.

Pour éviter ce risque,

#### ○ Fonctionnement intermittent (déclenchement par gâchette)

1) Régler le dispositif de commutation sur la position MÉCANISME DE DÉCLENCHEMENT SÉQUENTIEL COMPLET.

2) Tirer sur la gâchette rapidement et fermement.

#### ○ Fonctionnement continu (déclenchement par levier-poussoir) (NT1865DMA(Y) non compris)

1) Ne pas appuyer trop fort le cloueur contre le bois.

2) Eloigner le cloueur du bois car il effectue un rappel après le clouage.

### 18. NE PAS ENFONCER DE CLOUS DANS DES PLANCHES MINCES NI PRES DES COINS ET DES BORDS DE LA PIÈCE.

Les clous pourraient traverser la pièce ou s'enfoncer ailleurs que dans la pièce et blesser quelqu'un.

### 19. NE JAMAIS ENFONCER DE CLOUS DES DEUX CÔTÉS D'UN MUR EN MEME TEMPS.

Les clous pourraient traverser le mur et blesser quelqu'un de l'autre côté.

### 20. VERIFIER S'IL Y A DES FILS SOUS TENSION.

Pour éviter tout risque d'électrocution grave, vérifier s'il y a des fils sous tension dissimulés dans le mur, le plancher ou le plafond. Couper le disjoncteur pour s'assurer qu'il n'y a pas de fils sous tension.

### 21. NE PAS TROP SE PENCHER.

Conserver une bonne assise et un bon équilibre à tout moment.

### 22. NE JAMAIS UTILISER UN CLOUEUR DEFECTUEUX OU QUI NE FONCTIONNE PAS NORMALEMENT.

Si le cloueur semble ne pas fonctionner comme d'habitude, qu'il fait des bruits bizarres ou qu'il semble défectueux, cesser immédiatement de l'utiliser et le faire réparer par un service après-vente metabo HPT agréé.

### 23. RETIRER TOUS LES CLOUS RESTANT ET LA BATTERIE DU CLOUEUR LORSQUE:

- 1) on entretient ou inspecte le cloueur ;
- 2) vérifier le bon fonctionnement du bras de contact et de la détente ;
- 3) fixation et retrait du capuchon avant ;
- 4) on retire des clous coincés ;
- 5) on ne s'en sert pas ;

## SECURITE — Suite

- 6) on quitte l'aire de travail ;
- 7) on le transporte dans un autre endroit ; et
- 8) on le passe à quelqu'un d'autre.

Ne jamais essayer de retirer des clous coincés ou de réparer le cloueur à moins d'avoir extrait la batterie, ainsi que tous les clous restants du cloueur.

Ne jamais s'éloigner du cloueur car des personnes non familiarisées avec son fonctionnement pourraient le manipuler et se blesser.

### 24. RETIRER LA BATTERIE DU CLOUEUR QUAND:

- 1) on charge les clous ;
- 2) on tourne l'ajusteur.

### 25. RESTER SUR SES GARDES.

Regarder ce que l'on fait. Faire preuve de bon sens. Ne pas utiliser le cloueur lorsqu'on est fatigué.

Ne jamais utiliser le cloueur si l'on est sous l'influence de médicaments, d'alcool ou de toute autre substance soporifique.

### 26. MANIPULER LE CLOUEUR CORRECTEMENT.

Utiliser le cloueur en suivant les instructions du manuel.

Ne jamais permettre que le cloueur soit utilisé par des enfants, des personnes non familiarisées avec son fonctionnement ou des personnes non autorisées.

### 27. NE JAMAIS UTILISER LE CLOUEUR POUR DES APPLICATIONS AUTRES QUE CELLES QUI SONT SPECIFIEES DANS CE MANUEL.

### 28. MANIPULER LE CLOUEUR AVEC PRECAUTION.

Ne pas faire tomber le cloueur ni le heurter contre des surfaces dures et ne pas le rayer ni graver des inscriptions dessus. Manipuler le cloueur avec précaution.

### 29. ENTRETENIR SOIGNEUSEMENT LE CLOUEUR.

Veiller à ce que le cloueur soit toujours propre et graissé pour obtenir un fonctionnement optimal et en toute sécurité.

### 30. UTILISER EXCLUSIVEMENT DES PIECES, ACCESSOIRES OU CLOUS FOURNIS OU RECOMMANDES PAR metabo HPT.

Des pièces, accessoires ou clous non autorisés pourraient annuler la garantie, entraîner un mauvais fonctionnement et provoquer des blessures.

Les réparations du cloueur seront confiées exclusivement au personnel d'entretien formé par metabo HPT, au distributeur ou à l'employeur.

### 31. NE JAMAIS MODIFIER NI ALTÉRER UN CLOUEUR.

Cela pourrait provoquer un mauvais fonctionnement et entraîner des blessures physiques.

### 32. NE JAMAIS laisser d'aimants (ou d'autres dispositifs magnétiques similaires) à côté du cloueur car le cloueur possède un capteur magnétique interne.

Cela peut provoquer une panne ou un risque de blessure du fait d'un dysfonctionnement.

## CONSIGNES DE SÉCURITÉ IMPORTANTES POUR LE CHARGEUR DE BATTERIE

### AVERTISSEMENT

**Une utilisation incorrecte ou dangereuse des chargeurs de batterie peut entraîner la mort ou des blessures graves:**

### LIRE TOUT CE MODE D'EMPLOI

1. Ce manuel renferme des instructions de sécurité et de fonctionnement importantes pour le chargeur de batterie modèle UC18YFSL.
2. Avant d'utiliser le chargeur de batterie, lire toutes les étiquettes d'instruction et de précaution apposées sur (1) le chargeur de batterie, (2) la batterie, et (3) le produit utilisant la batterie.
3. Pour réduire le risque de blessure, charger les batteries rechargeables metabo HPT de la série BSL18. Les autres types de batterie pourraient exploser et provoquer des blessures ou des dommages.
4. L'utilisation d'un accessoire non recommandé ou non vendu par le fabricant du chargeur de batterie risque de provoquer un feu, une décharge électrique ou des blessures.
5. Pour réduire tout risque de dommage de la fiche et du cordon électrique, débrancher le cordon du chargeur en tirant sur la fiche.
6. Vérifier que le cordon est placé de façon que personne ne puisse marcher dessus, se prendre les pieds dedans, ni l'endommager ou le soumettre à des contraintes.
7. Ne pas utiliser de cordon de rallonge si cela n'est pas absolument nécessaire. L'utilisation d'un cordon de rallonge incorrect pourrait entraîner un feu ou une décharge électrique.

Si l'on doit utiliser un cordon de rallonge, s'assurer que:

- a. Les broches de la rallonge ont les mêmes numéro, taille et forme que celles de la fiche du chargeur;

## SECURITE — Suite

- b. Le cordon de rallonge est correctement raccordé et en bon état électrique;
- c. Le calibre du fil doit être au moins suffisant pour l'intensité nominale CA (ampères) du chargeur de batterie spécifiées dans le Tableau 1.

Tableau 1  
CALIBRE MINIMUM RECOMMANDÉ POUR LES CORDONS  
DE RALLONGE DES CHARGEURS DE BATTERIE

Intensité nominale d'entrée CA (ampères)*		Calibre du cordon			
Egal ou supérieur à	mais non inférieur à	Longueur de cordon en pieds (mètres)			
		25 (7,5)	50 (15)	100 (30)	150 (45)
0	2	18	18	18	16
2	3	18	18	16	14
3	4	18	18	16	14

\* Si l'intensité nominale d'entrée du chargeur de batterie est donnée en watts et non en ampères, calculer la capacité en ampères correspondante en divisant la capacité en ampères par la capacité de tension, par exemple:

$$\frac{1250 \text{ watts}}{125 \text{ volts}} = 10 \text{ ampères}$$

8. Ne pas utiliser le chargeur si son cordon ou sa fiche sont endommagés - Le remplacer immédiatement.
9. Ne pas utiliser le chargeur s'il a reçu un coup, s'il est tombé ou endommagé de toute autre manière. L'apporter à un réparateur qualifié.
10. Ne pas démonter le chargeur ni le produit qui reçoit la batterie; si un entretien ou des réparations sont nécessaires, les apporter à un réparateur qualifié. Un remontage incorrect pourrait provoquer une décharge électrique ou un feu.
11. Pour réduire tout risque de décharge électrique, débrancher le chargeur de la prise secteur avant tout entretien ou nettoyage. Il ne suffit pas de sortir la batterie.

### CONSIGNES DE SÉCURITÉ IMPORTANTES POUR L'UTILISATION DE LA BATTERIE ET DU CHARGEUR DE BATTERIE

Pour pouvoir utiliser l'outil électrique, il faudra recharger la batterie. Avant d'utiliser le chargeur de batterie modèle UC18YFSL, bien lire attentivement toutes les consignes et les avertissements signalés sur le chargeur, sur la batterie ou dans ce manuel.

BIEN NOTER: UTILISER EXCLUSIVEMENT DES BATTERIES metabo HPT SERIES BSL18. LES AUTRES TYPES DE BATTERIE POURRAIENT EXPLOSER OU PROVOQUER DES BLESSURES.

Pour éviter tout risque de blessure, observer les consignes suivantes:

#### AVERTISSEMENT

**Une utilisation incorrecte de la batterie ou du chargeur de batterie risque de provoquer des blessures. Pour éviter tout risque de blessure:**

1. **NE JAMAIS** démonter la batterie.
2. **NE JAMAIS** jeter la batterie au feu, même si elle est endommagée ou complètement usée. La batterie risque d'exploser au feu.
3. **NE JAMAIS** court-circuiter la batterie.
4. **NE JAMAIS** insérer d'objets dans les ouïes d'aération du chargeur. Il pourrait en résulter un choc électrique ou des dommages du chargeur.
5. **NE JAMAIS** effectuer la recharge à l'extérieur. Eloigner la batterie des rayons directs du soleil et utiliser exclusivement dans des endroits à faible humidité et bien aérés.
6. **NE JAMAIS** effectuer la recharge si la température est inférieure à 32°F (0°C) ou supérieure à 104°F (40°C).
7. **NE JAMAIS** raccorder deux chargeurs de batterie ensemble.
8. **NE JAMAIS** insérer de corps étrangers dans l'orifice de la batterie ou du chargeur de batterie.
9. **NE JAMAIS** utiliser de transformateur-élévateur pour la recharge.

## SECURITE — Suite

10. **NE JAMAIS** utiliser de générateur de moteur ni d'alimentation CC pour la recharge.
11. **NE JAMAIS** ranger la batterie ou le chargeur de batterie dans un endroit où la température peut atteindre ou dépasser 104°F (40°C), comme à l'intérieur d'une boîte métallique ou d'une voiture.
12. **NE JAMAIS** exposer la batterie ou le chargeur de batterie à la pluie ou l'humidité.
13. **TOUJOURS** alimenter le chargeur sur une prise secteur domestique standard (120 volts). L'utilisation du chargeur à une autre tension peut entraîner une surchauffe et endommager le chargeur.
14. **TOUJOURS** attendre au moins 15 minutes entre deux recharges pour éviter toute surchauffe du chargeur.
15. **TOUJOURS** débrancher le cordon d'alimentation de la prise secteur lorsqu'on ne se sert pas du chargeur.

### PRÉCAUTIONS RELATIVES A LA BATTERIE AU LITHIUM ION

Pour prolonger sa durée de vie, la batterie lithium-ion est équipée d'une fonction de protection qui coupe automatiquement l'alimentation.

Dans les cas 1 à 3 décrits ci-dessous, il est possible que le moteur s'arrête lorsque vous utilisez ce produit, même si vous actionnez le commutateur. Il ne s'agit pas d'un dysfonctionnement, mais du fonctionnement normal de la protection.

1. Lorsque la charge restante de la batterie diminue, le moteur s'arrête.  
Dans ce cas de figure, chargez immédiatement la batterie.
2. En cas de surcharge de l'outil, actionnez le commutateur de l'outil et éliminez les causes de la surcharge. Vous pouvez ensuite recommencer à utiliser l'outil.
3. En cas de surchauffe due à un travail trop intensif, l'alimentation de la batterie peut se couper.  
Dans ce cas, arrêtez toute utilisation de la batterie et laissez-la refroidir. Vous pouvez ensuite recommencer à l'utiliser.

En outre, respectez la précaution et l'avertissement suivants.

### ⚠ AVERTISSEMENT

Afin d'éviter toute fuite de la batterie, génération de chaleur, émission de fumée, explosion et inflammation, respectez scrupuleusement les précautions suivantes :

1. Assurez-vous que les copeaux et la poussière ne s'accumulent pas sur la batterie.
  - Lorsque vous travaillez, assurez-vous que les copeaux et la poussière ne tombent pas sur la batterie.
  - Assurez-vous que les copeaux et la poussière qui tombent sur l'outil lorsque vous travaillez ne s'accumulent pas sur la batterie.
  - Ne conservez pas une batterie inutilisée dans un endroit qui est exposé aux copeaux et à la poussière.
  - Avant de stocker une batterie, retirez tous les copeaux et la poussière qui ont pu y adhérer et ne la conservez pas avec des pièces métalliques (vis, clous, etc.).
2. Ne percez pas la batterie à l'aide d'un objet pointu tel qu'un clou. Ne la frappez pas à l'aide d'un marteau. Ne marchez pas dessus, ne la lancez pas et ne la soumettez pas un à choc physique important.
3. N'utilisez pas une batterie dont l'extérieur est déformé ou laisse penser qu'elle est défectueuse.
4. N'insérez pas la batterie à l'envers (pôles inversés).
5. Ne raccordez pas directement la batterie à une prise électrique ou à un allume-cigare.
6. N'utilisez pas la batterie à d'autres fins que celle spécifiée.
7. En cas d'échec du chargement d'une batterie, même après un certain délai, arrêtez immédiatement le rechargement.
8. N'exposez pas la batterie à des températures ou à une pression élevées (four à micro-ondes, séchoir, conteneur sous haute pression).
9. Maintenez à la batterie à l'écart de toute flamme en cas de détection d'une fuite ou d'une mauvaise odeur.
10. Ne pas utiliser à proximité d'une source puissante d'électricité statique.
11. En cas de fuite de la batterie, de mauvaise odeur, de génération de chaleur, de décoloration, de déformation ou d'anomalie en cours d'utilisation, de rechargement ou d'entreposage, ôtez immédiatement la batterie de l'équipement ou du chargeur de batterie et ne l'utilisez plus.

## SECURITE — Suite

12. Ne plongez jamais la batterie dans de l'eau ou tout autre liquide, et ne laissez aucun liquide s'infiltrer à l'intérieur de la batterie. L'entrée de liquides conducteurs, tel que de l'eau, peut causer des dommages pouvant entraîner un incendie ou une explosion. Rangez votre batterie dans un endroit frais et sec, à l'écart d'objets combustibles et inflammables. Les atmosphères corrosives doivent être évitées.

### ⚠ ATTENTION

- En cas de projection dans les yeux de liquide ayant fuit de la batterie, ne vous frottez pas les yeux, rincez-les à l'eau claire et contactez immédiatement un médecin.  
En l'absence de traitement, le liquide peut détériorer l'œil.
- En cas de projection de liquide ayant fuit de la batterie sur votre peau ou vos vêtements, rincez immédiatement ces derniers à l'eau claire (au robinet).  
Le liquide peut provoquer une irritation de la peau.
- En cas de détection de rouille, de mauvaise odeur, de surchauffe, de décoloration, de déformation et/ou autres anomalies lors de la première utilisation de la batterie, n'utilisez pas cette dernière et renvoyez-la au fournisseur ou au fabricant.

### ⚠ AVERTISSEMENT

Un court-circuit risque de se produire et causer un incendie, si un corps étranger conducteur d'électricité passe dans les bornes de la pile au lithium-ion. Veuillez respecter les consignes suivantes pour le rangement de la pile.

- **Ne pas mettre d'objet conducteur d'électricité, tels que clous, fil d'acier, de cuivre ou autre fil dans la mallette de rangement.**
- **Soit ranger le bloc de pile avec l'outil électrique ou de manière sécuritaire en l'enfonçant dans le couvercle jusqu'à ce que les orifices de ventilation soient dissimulés afin d'éviter les courts-circuits.**

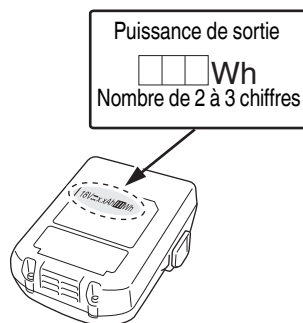
### À PROPOS DU TRANSPORT DE LA BATTERIE LITHIUM-ION

Lors du transport d'une batterie lithium-ion, veuillez observer les précautions suivantes.

#### ⚠ AVERTISSEMENT

Informez la société de transport qu'un paquet contient une batterie lithium-ion, informez la société de sa puissance de sortie et suivez les instructions de la société de transport lors de l'organisation du transport.

- Les batteries lithium-ion qui dépassent une puissance de sortie de 100 Wh font partie de la classification de transport des produits dangereux et nécessitent l'application de procédures spéciales.
- Pour un transport vers l'étranger, vous devez vous conformer aux lois internationales et aux normes et réglementations en vigueur dans le pays de destination.



## SECURITE — Suite

### **RESPONSABILITES DE L'EMPLOYEUR**

1. Veiller à ce que ce MANUEL reste à la disposition des personnes qui doivent utiliser ou entretenir le cloueur.
2. Veiller à ce que les cloueurs soient utilisés exclusivement lorsque les opérateurs et les autres personnes présentes dans l'aire de travail portent des LUNETTES DE PROTECTION.
3. Obliger les opérateurs et les autres personnes présentes dans l'aire de travail à porter des LUNETTES DE PROTECTION.
4. Maintenir les cloueurs en bon ordre de marche.
5. Entretenir les cloueurs correctement.
6. Veiller à ce que les cloueurs qui ont besoin d'être réparés ne soient plus utilisés avant d'être réparés.

**CONSERVER CES INSTRUCTIONS  
ET  
LES METTRE A LA DISPOSITION  
DES AUTRES UTILISATEURS  
ET  
PROPRIETAIRES DE CET OUTIL!**



# UTILISATION

## REMARQUE

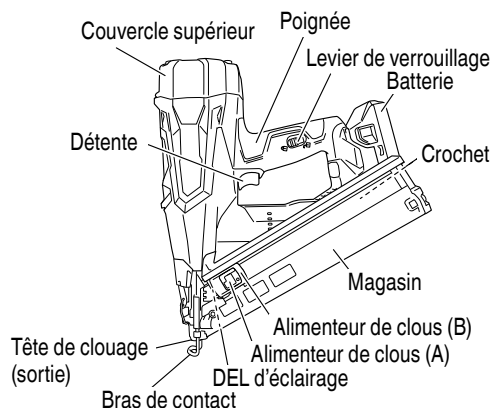
Les informations contenues dans ce manuel ont pour but d'aider l'opérateur à utiliser le cloueur en toute sécurité.

Certaines des illustrations du manuel peuvent montrer des détails ou des accessoires qui diffèrent de ceux de votre cloueur.

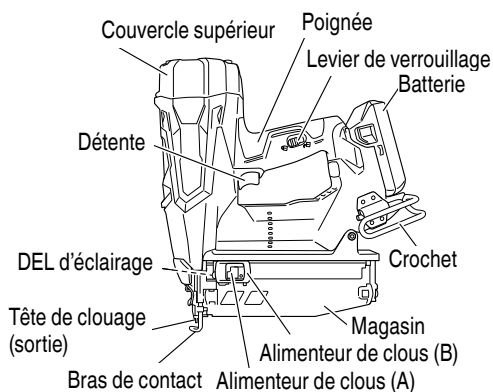
## NOM DES PIÈCES

### 1. Cloueur de finition sans fil

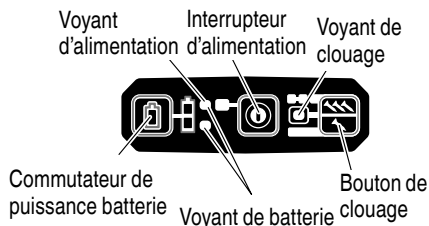
<NT1865DMA(S), NT1865DMA(Y)>



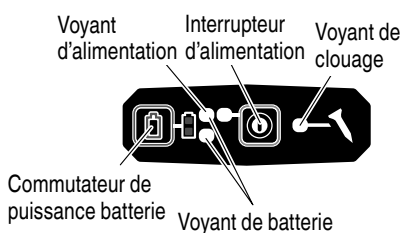
<NT1865DM(S)>



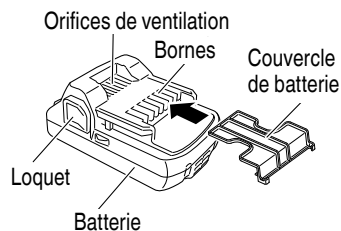
<NT1865DMA(S), NT1865DM(S)>



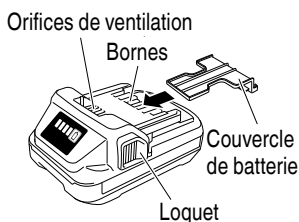
<NT1865DMA(Y)>



### 2. Batterie

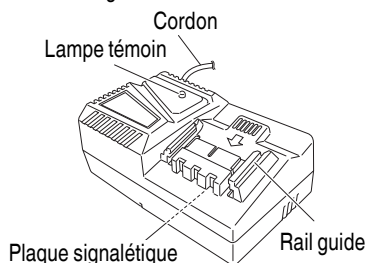


<BSL1830C>



<BSL1820M>

### 3. Chargeur de batterie



<UC18YFSL>

## SPECIFICATIONS

### 1. Cloueur de finition sans fil

Modèle		NT1865DMA(S)	NT1865DMA(Y)	NT1865DM(S)
Moteur		sans balais CC		sans balais CC
Clous utilisables		15 Ga		16 Ga
Longueur de clous utilisables		1-1/4 po à 2-1/2 po (32 mm à 65 mm)		1 à 2-1/2 po (25 mm à 65 mm)
Capacité de chargement de clous [clous]		100 (1 bande)		100 (2 bandes)
Mode de déclenchement		Entièrement séquentiel/ par contact (Sélectionnable)	Entièrement séquentiel	Entièrement séquentiel/ par contact (Sélectionnable)
Fréquence du cycle	[Clous par seconde]	3,0 (Intermittent)		
Batterie	Modèle	BSL1830C / BSL1820M		
	Type	Batterie au Li-ion		
	Tension	18 VCC		
Poids	✘ batterie comprise	7,5 lb (3,4 kg)		7,3 lb (3,3 kg)
Dimensions Hauteur x Longueur x largeur		13-1/2 po x 12-5/32 po x 4-1/2 po (344 mm x 309 mm x 115 mm)		12-1/2 po x 11-3/4 po x 4-1/4 po (315 mm x 298 mm x 108 mm)

### 2. Chargeur de batterie

Modèle	UC18YFSL
Source d'alimentation d'entrée	Monophasée: AC 120 V 60 Hz
Durée de recharge (à une température de 68°F (20°C))	BSL1830C: Approx. 45 min BSL1820M: Approx. 30 min
Tension de charge	CC 14,4–18 V
Courant de charge	CC 3,5 A
Poids	1,1 lbs. (0,5 kg)

**REMARQUE** La durée de recharge peut varier en fonction de la température et de la tension de la source d'alimentation.

## SELECTION DES CLOUS

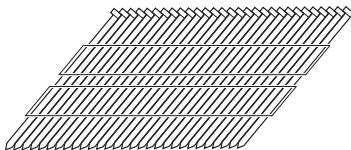
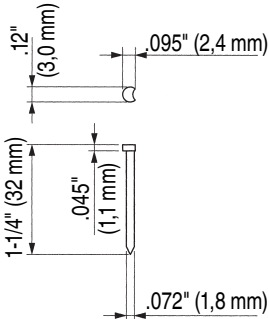
### ⚠ AVERTISSEMENT

- Bien utiliser exclusivement les clous metabo HPT d'origine avec le NT1865DM(S), NT1865DMA(Y), NT1865DMA(S). L'utilisation d'autres clous risque de provoquer un mauvais fonctionnement de l'outil et/ou une rupture des clous, et d'entraîner des blessures.

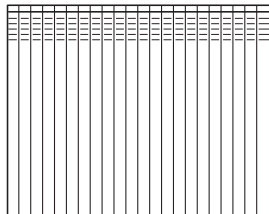
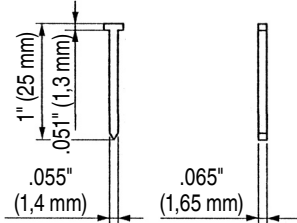
Seuls les clous indiqués dans le tableau ci-dessous pourront être utilisés avec ce cloueur.

### Dimensions des clous

#### <NT1865DMA(S), NT1865DMA(Y)>

Clous de finition de calibre 15 (Angle : 34°)	Min.	Max.
		

#### <NT1865DM(S)>

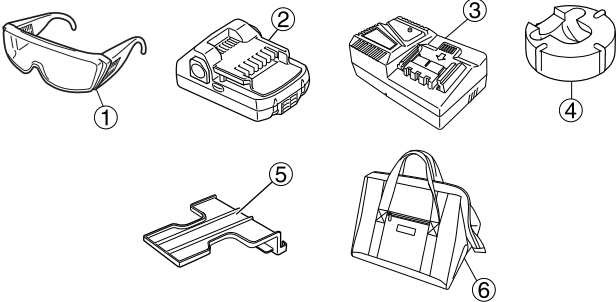
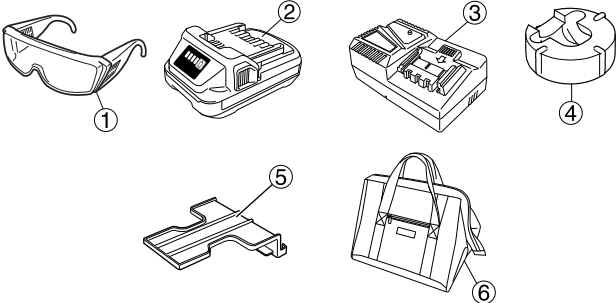
Clous de finition de calibre 16 (Droit)	Min.	Max.
		

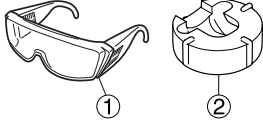
ACCESSORIES

**⚠ DANGER**

- Les accessoires autres que ceux indiqués ci-dessous risquent de mal fonctionner et de provoquer des blessures.

ACCESSOIRES STANDARD

<p>NT1865DM(S) NT1865DMA(S) (LSRK)</p>	<div style="text-align: center;">  </div> <table border="0"> <tbody> <tr> <td>① Lunettes de sécurité.....</td> <td>1</td> </tr> <tr> <td>② Batterie (BSL1830C) .....</td> <td>1</td> </tr> <tr> <td>③ Chargeur (UC18YFSL) .....</td> <td>1</td> </tr> <tr> <td>④ Capuchon de bec (monté sur l'outil).....</td> <td>1</td> </tr> <tr> <td>⑤ Coverde de batterie (Code No. 329897) .....</td> <td>1</td> </tr> <tr> <td>⑥ Sac à outils.....</td> <td>1</td> </tr> </tbody> </table>	① Lunettes de sécurité.....	1	② Batterie (BSL1830C) .....	1	③ Chargeur (UC18YFSL) .....	1	④ Capuchon de bec (monté sur l'outil).....	1	⑤ Coverde de batterie (Code No. 329897) .....	1	⑥ Sac à outils.....	1
① Lunettes de sécurité.....	1												
② Batterie (BSL1830C) .....	1												
③ Chargeur (UC18YFSL) .....	1												
④ Capuchon de bec (monté sur l'outil).....	1												
⑤ Coverde de batterie (Code No. 329897) .....	1												
⑥ Sac à outils.....	1												
<p>NT1865DM(S) NT1865DMA(S) NT1865DMA(Y) (BA)</p>	<div style="text-align: center;">  </div> <table border="0"> <tbody> <tr> <td>① Lunettes de sécurité.....</td> <td>1</td> </tr> <tr> <td>② Batterie (BSL1820M) .....</td> <td>1</td> </tr> <tr> <td>③ Chargeur (UC18YFSL) .....</td> <td>1</td> </tr> <tr> <td>④ Capuchon de bec (monté sur l'outil).....</td> <td>1</td> </tr> <tr> <td>⑤ Coverde de batterie (Code No. 329897) .....</td> <td>1</td> </tr> <tr> <td>⑥ Sac à outils.....</td> <td>1</td> </tr> </tbody> </table>	① Lunettes de sécurité.....	1	② Batterie (BSL1820M) .....	1	③ Chargeur (UC18YFSL) .....	1	④ Capuchon de bec (monté sur l'outil).....	1	⑤ Coverde de batterie (Code No. 329897) .....	1	⑥ Sac à outils.....	1
① Lunettes de sécurité.....	1												
② Batterie (BSL1820M) .....	1												
③ Chargeur (UC18YFSL) .....	1												
④ Capuchon de bec (monté sur l'outil).....	1												
⑤ Coverde de batterie (Code No. 329897) .....	1												
⑥ Sac à outils.....	1												

<p>NT1865DM(S) NT1865DMA(S) (NN)</p>	 <p>① Lunettes de sécurité..... 1 ② Capuchon de bec (monté sur l'outil)..... 1</p>
--	---

## ACCESSOIRES EN OPTION

vendus séparément

- BATTERIE (BSL1830C / BSL1820M)

### REMARQUE

Les accessoires sont sujets à modification sans préavis et sans aucune obligation de la part de metabo HPT.

## APPLICATIONS

<NT1865DMA(S), NT1865DMA(Y), NT1865DM(S)>

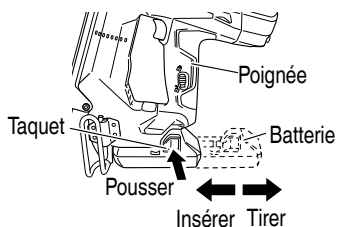
- Clouage de finition autour des portes, des fenêtres et des bordures.
- Fixation du fond de tiroirs. Fabrication de divers boîtiers et armoires.

## MÉTHODE DE RETRAIT ET D'INSTALLATION DE LA BATTERIE

### ⚠ ATTENTION

- S'assurer de ne pas toucher la détente du doigt et de détacher le bras de contact du bois.

- Installation de la batterie  
Aligner la batterie sur la fente de la poignée de l'outil et la glisser à l'intérieur.  
Toujours insérer la batterie à fond, jusqu'à ce qu'elle se bloque avec un petit déclic. Sinon, elle risque de tomber accidentellement de l'outil et de blesser l'opérateur ou d'autres personnes alentour.
- Retrait de la batterie  
Sortir la batterie de la poignée de l'outil tout en appuyant sur le taquet (2 taquets) de la batterie.



## MÉTHODE DE RECHARGE

### REMARQUE

Avant de brancher le chargeur dans la prise, vérifier les points suivants.

- La tension de la source d'alimentation est indiquée sur la plaque signalétique.
- Le cordon n'est pas endommagé.

### ⚠ AVERTISSEMENT

**Ne pas effectuer de recharge à une tension supérieure à la tension indiquée sur la plaque signalétique. Cela brûlerait le chargeur.**

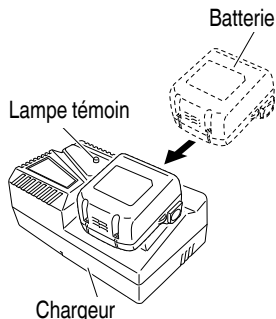
1. Brancher le cordon d'alimentation du chargeur sur une prise secteur.  
Quand vous raccordez la fiche du chargeur à une prise murale, la lampe témoin clignote en rouge. (À intervalles d'une seconde)



### ⚠ AVERTISSEMENT

**Ne pas utiliser le cordon électrique s'il est endommagé. Le faire réparer immédiatement.**

2. Insérer la batterie dans le chargeur de batterie.  
Insérer la batterie dans le chargeur de batterie comme indiqué à la figure.



**3. Recharge**

Quand la batterie est raccordée au chargeur de batterie, la recharge commence et la lampe témoin s'allume en rouge. (Voir le Tableau 2)

**(1) Indication de la lampe témoin**






Les indications de la lampe témoin sont expliquées dans le Tableau 2, selon la condition du chargeur ou de la batterie rechargeable.

**REMARQUE**

Si la lampe témoin clignote en rouge, débrancher la fiche de la prise et vérifier si la batterie est insérée correctement.

Quand la batterie est rechargée à fond, la lampe témoin clignote lentement en rouge. (A intervalles d'une seconde) (Voir le Tableau 2)

Tableau 2

Explications de la lampe témoin				
Lampe témoin (rouge)	Avant la recharge	Clignote	S'allume pendant 0,5 seconde. Ne s'allume pas pendant 0,5 seconde. (Eteint pendant 0,5 seconde) 	
	Pendant la recharge	S'allume	S'allume sans interruption 	
	Recharge terminée	Clignote	S'allume pendant 0,5 seconde. Ne s'allume pas pendant 0,5 seconde. (Eteint pendant 0,5 seconde) 	
	Veille en surchauffe	Clignote	S'allume pendant 1 seconde. Ne s'allume pas pendant 0,5 seconde. (Eteint pendant 0,5 seconde) 	Batterie en surchauffe. Chargement impossible (le chargement commencera une fois que la batterie sera froide).
	Recharge impossible	Clignote	S'allume pendant 0,1 seconde. Ne s'allume pas pendant 0,1 seconde. (Eteint pendant 0,1 seconde) 	Anomalie de la batterie ou du chargeur

**(2) Température admissible d'une batterie rechargeable.**  
La température admissible des batteries rechargeables est indiquée dans le Tableau 3, et les batteries qui ont chauffé devront être laissées à refroidir pendant quelque temps avant de pouvoir être rechargées.

Tableau 3 Plage de recharge des batteries

Batterie rechargeable	Température à laquelle la batterie peut être rechargée
BSL1830C	32°F-122°F
BSL1820M	(0°C-50°C)

**(3) Durée de recharge (A 68°F (20°C))**

Tableau 4 Temps de recharge

Chargeur \ Batterie	UC18YFSL
BSL1830C	Env. 45 min
BSL1820M	Env. 30 min

**REMARQUE**

La durée de recharge peut varier en fonction de la température et de la tension de la source d'alimentation.

- Débrancher le chargeur de batterie de la prise.

### ⚠ ATTENTION

**Ne pas débrancher la fiche de la prise en tirant sur le cordon.**

Pour éviter tout dommage lorsqu'on débranche la fiche de la prise, bien tenir la fiche proprement dite.

- Retirer la batterie du chargeur de batterie.  
Sortir la batterie du chargeur tout en la soutenant de la main.

### Comment prolonger la durée de vie des batteries

- Recharger les batteries avant qu'elles ne soient complètement épuisées.

Quand la puissance de l'outil utilisé faiblit, l'éteindre et recharger la batterie. Si l'outil continue d'être utilisé jusqu'à épuisement du courant électrique, la batterie risque d'être endommagée et sa durée de vie se raccourcira.

- Eviter d'effectuer la recharge sous des températures élevées.

Une batterie est toujours chaude immédiatement après son utilisation. Si la batterie est rechargée immédiatement après utilisation, les substances chimiques internes risquent de se détériorer et la durée de vie de la batterie se raccourcira. Laisser la batterie refroidir un moment avant de l'utiliser.

### ⚠ ATTENTION

- Si le chargeur a fonctionné pendant longtemps de suite, il sera chaud, ce qui risque de provoquer des pannes. Lorsque la recharge est terminée, laisser le chargeur refroidir pendant environ 15 minutes avant de passer à la recharge suivante.
- Si la batterie est chaude quand elle est rechargée, parce qu'elle est restée longtemps en plein soleil ou parce qu'elle vient juste d'être utilisée, la lampe pilote du chargeur clignote en s'allumant pendant 1 seconde, puis en s'éteignant pendant 0.5 seconde. Dans une telle éventualité, laisser la batterie refroidir, puis procéder à la recharge.
- Si la lampe témoin clignote rapidement en rouge (à intervalles de 0.2 seconde), vérifier s'il y a des corps étrangers dans l'orifice d'installation de la batterie du chargeur, et les enlever le cas échéant. S'il n'y a pas de corps étrangers, il s'agit probablement d'une anomalie de la batterie ou du chargeur. Les porter au service après-vente agréé.

## AVANT L'UTILISATION

Lire la section intitulée "SECURITE" (pages 31-40). Bien vérifier les points suivants avant de travailler.

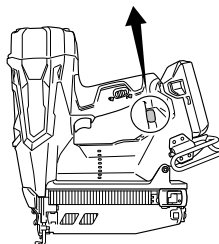
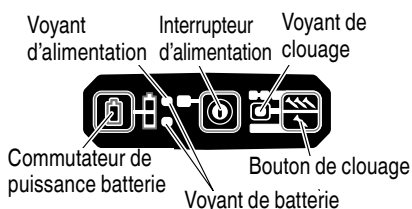
### PRÉPARATION DE LA PILE

Lire la section intitulée "SÉCURITÉ, CONSIGNES DE SÉCURITÉ IMPORTANTES POUR LE CHARGEUR DE BATTERIE" (page 36).

Il faut charger la batterie avant usage.

Le mode de chargement des batteries est indiqué aux pages 45-47.

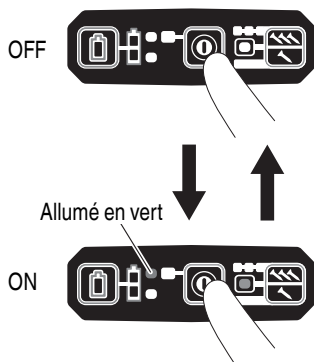
## COMMENT UTILISER LE PANNEAU DE COMMANDE



- Mise sous tension  
Avec l'outil hors tension, maintenez enfoncé l'interrupteur d'alimentation pendant plus d'une seconde, puis le voyant d'alimentation s'allumera en vert.

### REMARQUE

- Ne pas appuyer sur le levier-poussoir et/ou tirer sur la gâchette pendant que vous mettez l'interrupteur d'alimentation sur MARCHE. Faire ceci empêchera l'interrupteur d'alimentation de se mettre en MARCHE.



(2) Mise hors tension

Avec l'outil sous tension, maintenez enfoncé l'interrupteur d'alimentation pendant plus d'une seconde, puis le voyant d'alimentation s'éteindra. Avec l'outil sous tension, les fonctions ci-dessous sont actives.

(3) Sélectionner le mode de clouage

(Déclenchement entièrement séquentiel/par contact)  
Après la mise sous tension, réglez toujours le mode de déclenchement entièrement séquentiel au début. (Le voyant de clouage s'allume en bleu.)

Allumé en bleu



Pour changer de mode de clouage, enfoncez le bouton de clouage une fois. À chaque pression, le mode bascule entre « Entièrement séquentiel » et « Par contact ».

Allumé (bleu) :

MÉCANISME DE DÉCLENCHEMENT  
SÉQUENTIEL COMPLET

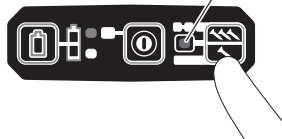
Clignotant (bleu) :

MÉCANISME DE DÉCLENCHEMENT PAR  
CONTACT

**REMARQUE**

- NT1865DMA(Y) est seulement équipé pour le mode de mécanisme de déclenchement séquentiel complet et ne peut pas être réglé sur le mode de clouage.

Clignote en bleu



(4) Vérifier la puissance batterie résiduelle

Lorsque vous appuyez sur le commutateur de puissance batterie, le voyant de batterie indique le niveau de puissance batterie résiduelle avec les voyants DEL comme indiqué ci-dessous.

Statut du voyant	
<p>2 voyants DEL (rouge) s'allument</p>	La puissance restante de la batterie est suffisante.
<p>1 voyant DEL (rouge) s'allume</p>	La puissance restante de la batterie est environ à la moitié.
<p>1 voyant DEL (rouge) clignote</p>	La puissance restante de la batterie est presque vide. Rechargez la batterie aussitôt que possible.

**REMARQUE**

Il y a des situations où ce produit ne fonctionnera pas quand deux DEL d'éclairage sont allumées sur le témoin de batterie résiduelle.

Il ne s'agit pas d'un mauvais fonctionnement, mais d'une fonction de contrôle spécifique à ce produit. L'outil fonctionnera une fois la batterie rechargée.

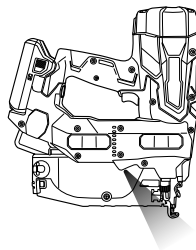


- (5) Autres fonctions  
En cas d'erreur de fonctionnement, les voyants DEL changent comme suit.

Statut du voyant	
 <p>DEL d'éclairage</p> <p>La DEL d'éclairage clignote par intervalles.</p> <ul style="list-style-type: none"> <li>• Si la machine est dans un environnement trop chaud: Clignote à intervalles d'1 seconde.</li> <li>• Si la machine est dans un environnement trop froid: Clignote à intervalles de 0.5 seconde.</li> </ul> <p>Au bout de 10 secondes, la DEL d'éclairage et l'interrupteur d'alimentation s'éteignent automatiquement.</p>	<p>La machine est dans un environnement trop froid (moins de 23°F (-5°C)) ou trop chaud. Laissez suffisamment refroidir ou chauffer le cloueur dans des conditions adéquates.</p>
 <p>2 voyants DEL clignotent en orange, au bout de 10 secondes, s'éteignent automatiquement.</p>	<p>Communiquez avec metabo HPT pour inspection.</p>

- (6) Comment utiliser la DEL d'éclairage  
Lorsque l'interrupteur d'alimentation est activé, la DEL illumine automatiquement la pointe de l'outil.

Allumé en vert



**⚠ ATTENTION**

- **N'exposez pas vos yeux directement à la lampe en la regardant.**  
**Une exposition continue de vos yeux à la lampe pourrait les blesser.**
- **Essayer toute poussière ou saleté située sur la lentille du témoin DEL avec un chiffon doux, en faisant attention de ne pas rayer la lentille.**  
**Des rayures sur la lentille du témoin DEL peuvent entraîner une baisse de la luminosité.**

- (7) Témoin de batterie résiduelle  
Vous pouvez vérifier la capacité résiduelle de la batterie en appuyant sur le commutateur d'indicateur de batterie résiduelle pour allumer le témoin de l'indicateur. (Tableau 5)  
L'indicateur s'éteindra environ 3 secondes après avoir appuyé sur le commutateur de l'indicateur de batterie résiduelle.  
Il est préférable d'utiliser l'indicateur de batterie résiduelle en tant que guide étant donné qu'il existe de légères différences, par exemple en fonction de la température ambiante et de l'état de la batterie.  
De plus, l'indicateur de batterie résiduelle peut être différent de ceux équipés sur un outil ou un chargeur.

Témoin indicateur de batterie résiduelle    Commutateur d'indicateur de batterie résiduelle

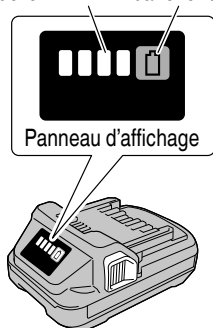


Tableau 5

Statut de la lampe	Puissance batterie résiduelle
	S'allume ; La puissance résiduelle de la batterie est de plus de 75%.
	S'allume ; La puissance résiduelle de la batterie se situe entre 50 et 75%.
	S'allume ; La puissance résiduelle de la batterie se situe entre 25 et 50%.
	S'allume ; La puissance résiduelle de la batterie est de moins de 25%.
	Clignote ; La puissance résiduelle de la batterie est presque nulle. Rechargez la batterie le plus rapidement possible.
	Clignote ; Sortie suspendue en raison d'une température élevée. Retirez la batterie de l'outil et laissez-la refroidir complètement.
	Clignote ; Sortie interrompue en raison d'une défaillance ou un dysfonctionnement. Le problème ne provient peut-être pas de la batterie ; veuillez contacter votre revendeur.

Le témoin lumineux de puissance batterie résiduelle peut s'allumer différemment selon la température ambiante et les caractéristiques de la batterie. Utilisez donc ce tableau comme référence.

**REMARQUE**

Ne pas faire subir de choc violent au panneau d'affichage ou l'endommager. Cela peut provoquer des défaillances.

**ESSAI DU CLOUEUR**

**⚠ DANGER**



- Les opérateurs et les autres personnes dans l'aire de travail DOIVENT porter des lunettes de protection avec visières latérales respectant les exigences ANSI Z87.1.

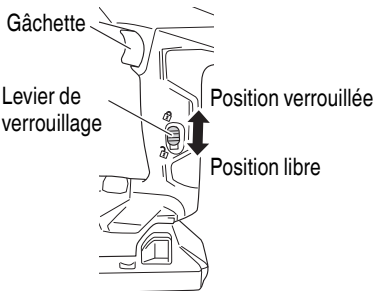
**⚠ AVERTISSEMENT**

- **Assurez-vous que la gâchette est verrouillée lorsque vous ne projetez pas de clous.**

Ce cloueur est pourvu d'un mécanisme de verrouillage pour empêcher les clous d'être propulsés.

Placez le levier de verrouillage sur la position pour verrouiller la gâchette.

Faites glisser le levier de verrouillage sur la position lorsque vous prévoyez utiliser le cloueur et sur la position lorsque vous ne l'utilisez pas.



- **Ne jamais utiliser le cloueur si le levier-poussoir ne fonctionne pas correctement.**

**La machine dispose d'un mécanisme pour prévenir le fonctionnement sans charge.**

La machine passe dans un état où le bras de contact ne peut être soulevé. Cela se produit quand le magasin ne contient pas de clous ou que le nombre de clous restants est inférieur à 6 ou 9.

**⚠ ATTENTION**

- Prendre soin de ne pas cogner le bout du bras de contact contre du bois.

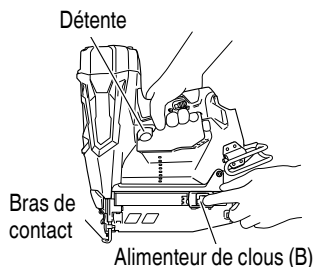
Avant de commencer le travail proprement dit, faire un essai de clouage en vérifiant les points ci-dessous. Effectuer les essais dans l'ordre indiqué.

S'il se produit un fonctionnement anormal, cesser immédiatement d'utiliser le cloueur et contacter un service après-vente agréé metabo HPT.

- (1) SORTIR TOUS LES CLOUS ET LA PILE DU CLOUEUR.

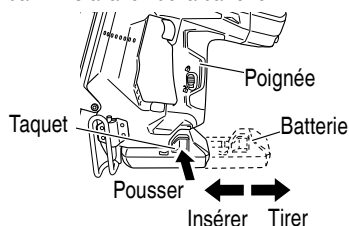
- TOUTES LES VIS DOIVENT ETRE SERREES A FOND.

- LE BRAS DE CONTACT ET LA DÉTENTE DOIVENT SE DÉPLACER EN DOUCEUR SI L'ON TIRE L'ALIMENTEUR DE CLOUS. inutile pour tirer l'alimenteur de clous)



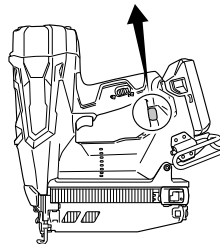
- (2) Installation de la batterie.

Ne pas actionner le bras de contact ou la détente pendant l'installation de la batterie.



- (3) Mettre l'interrupteur d'alimentation sur marche.

Voyant d'alimentation Interrupteur d'alimentation Voyant de clouage

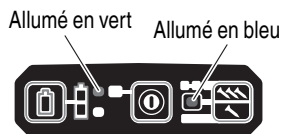


Mettez l'outil sous tension en maintenant enfoncé l'interrupteur d'alimentation pendant plus d'une seconde.

Assurez-vous que le voyant d'alimentation s'allume en vert et que le voyant de clouage s'allume en bleu. (MÉCANISME DE DÉCLENCHEMENT SÉQUENTIEL COMPLET)

**REMARQUE**

- Ne pas appuyer sur le levier-poussoir et/ou tirer sur la gâchette pendant que vous mettez l'interrupteur d'alimentation sur MARCHÉ. Faire ceci empêchera l'interrupteur d'alimentation de se mettre en MARCHÉ.



**[Extinction automatique]**

Si le cloueur est sous tension, mais n'est pas utilisé pendant 30 minutes, il s'éteint automatiquement. Pour le rallumer, appuyer sur l'interrupteur d'alimentation.

**⚠ AVERTISSEMENT**

Ne laissez jamais le cloueur sous tension. Cela pourrait provoquer un accident.

Voyant de clouage

- Allumé (bleu) :

MÉCANISME DE DÉCLENCHEMENT SÉQUENTIEL COMPLET

- Clignotant (bleu) :

MÉCANISME DE DÉCLENCHEMENT PAR CONTACT

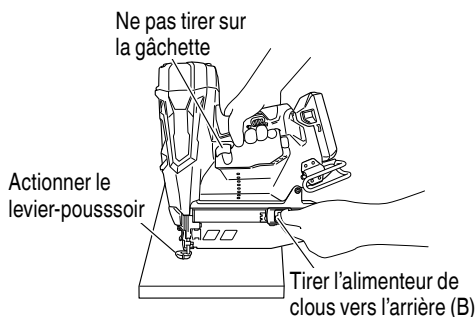
(NT1865DMA(Y) non compris)

Assurez-vous que le voyant de batterie ne clignote pas.

Si le voyant de batterie clignote en rouge, cela signifie que la batterie manque de puissance et doit être rechargée.

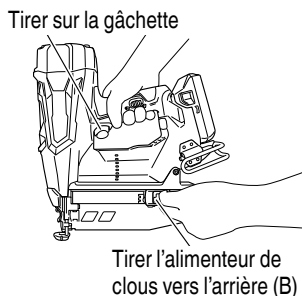
- (4) Retirer le doigt de la détente et presser le bras de contact contre la pièce à usiner en tirant l'alimenteur de clous (B) vers l'arrière.

LE CLOUEUR NE DOIT PAS FONCTIONNER.



- (5) Eloigner le levier-poussoir de la pièce. Ensuite, diriger le cloueur en position abaissée, l'alimenteur de clous (B) tiré vers l'arrière, presser la détente et attendre pendant au moins 5 secondes dans cette position.

LE CLOUEUR NE DOIT PAS FONCTIONNER.



- (6) ① Sans toucher la détente, enfoncer le bras de contact par pression contre la pièce à usiner en tirant l'alimenteur de clous (B) vers l'arrière. Ensuite, presser la détente.

LE CLOUEUR DOIT FONCTIONNER.

- ② Ramener la détente en arrière et enfoncer de nouveau le bras de contact par pression contre la pièce.

LE CLOUEUR NE DOIT PAS FONCTIONNER.

- ③ Détacher le doigt de la détente. Le réactionnement de ① suit.

LE CLOUEUR DOIT FONCTIONNER.

- (7) Détacher le bras de contact de la pièce à usiner, presser la détente. Enfoncer le bras de contact par pression contre la pièce à usiner dans les 2 secondes.

LE CLOUEUR NE DOIT PAS FONCTIONNER.

- (8) Réglez le mode de clignotement du voyant de clouage sur ON. (MÉCANISME DE DÉCLENCHEMENT PAR CONTACT)

(NT1865DMA(Y) non compris)

Appuyez une fois sur le bouton de clouage, en vous assurant que le voyant clignote en bleu.

Clignote en bleu



Détacher le bras de contact de la pièce à usiner, presser la détente.

Enfoncer le bras de contact par pression contre la pièce à usiner dans les 2 secondes.

LE CLOUEUR DOIT FONCTIONNER.

- (9) Si l'on ne remarque aucun fonctionnement anormal, on pourra mettre des clous dans le cloueur. Enfoncer les clous dans un matériau du même type que celui du travail proprement dit.

LE CLOUEUR DOIT FONCTIONNER CORRECTEMENT.

## CHARGEMENT DES CLOUS

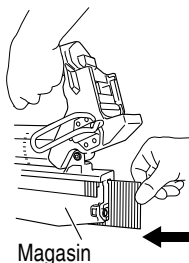
### ⚠ AVERTISSEMENT

- Lors du chargement des clous dans le cloueur,
  - 1) retirez la batterie du cloueur;
  - 2) ne pas tirer la gâchette;
  - 3) ne pas actionner le levier-poussoir ; et
  - 4) diriger le cloueur vers le bas.

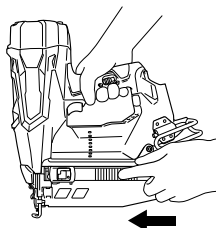
<NT1865DMA(S), NT1865DMA(Y), NT1865DM(S)>

### Approvisionnement en deux pas!

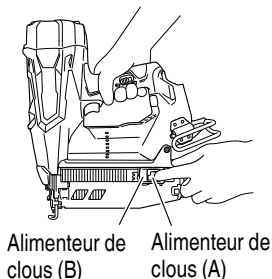
- (1) Insérer la recharge de clous dans le dos du magasin.



- (2) Faire coulisser la bande de clous vers l'avant dans le magasin.



- (3) Pousser l'alimenteur de clous (A) pour engager la bande de clous (B) dans ce dernier.



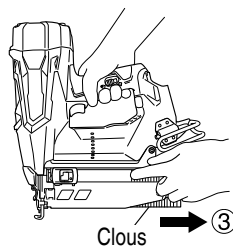
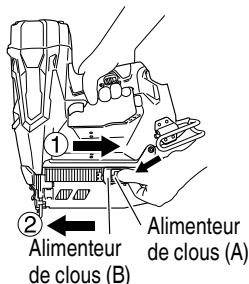
### REMARQUE

- Pousser doucement l'alimenteur de clous (A) et l'alimenteur de clous (B) contre le clou.
- Si le distributeur de clous (A) et l'alimenteur de clous (B) se dégagent de l'arrière du magasin et frappent le clou, la ligature collante du clou risque d'être endommagée.
- Utiliser une recharge de clous de plus de 10 clous.
- Utiliser une bande de clous intacte dont tous les clous sont de longueur égale.

Le cloueur est maintenant prêt à fonctionner.

Retirer les clous :

- ① Tirer l'alimenteur de clous (B) vers l'arrière.
- ② Ramener doucement l'alimenteur de clous (B) vers l'avant tout en poussant l'alimenteur de clous (A).
- ③ Extraire les clous de l'arrière du magasin.



## UTILISATION DU CLOUEUR

Lire la section intitulée "SECURITE" (pages 31-40).

### ⚠ DANGER



- Les opérateurs et les autres personnes dans l'aire de travail DOIVENT porter des lunettes de protection avec visières latérales respectant les exigences ANSI Z87.1.

### ⚠ AVERTISSEMENT



- NE JAMAIS diriger l'outil vers soi ni vers quelqu'un d'autre dans l'aire de travail.
- OUVREZ éloigner le doigt de la gâchette quand on n'effectue pas de clouage afin

d'éviter tout risque de déclenchement accidentel.

- Ne pas utiliser le cordon électrique s'il est endommagé.  
Le faire réparer immédiatement.
- Le choix de la méthode d'utilisation de la gâchette est important.  
Lire et bien assimiler la "METHODES D'UTILISATION" ci-dessous.

- Avant de commencer le travail, vérifier le dispositif de commutation de l'opération de clouage.

Ce cloueur metabo HPT comprend un dispositif de commutation de l'opération de clouage.

Avant de commencer le travail, vérifier que le dispositif de commutation est réglé correctement.

Si le dispositif de commutation de l'opération de clouage n'est pas réglé correctement, le cloueur ne fonctionnera pas correctement.

- Ne jamais approcher la tête, les mains ni les pieds de la tête de clouage.
- Ne pas enfoncer de clous sur d'autres clous ni avec le cloueur à un angle trop aigu ; les clous pourraient ricocher et blesser quelqu'un.
- Ne pas enfoncer de clous dans des planches minces ni près des coins et des bords de la pièce. Les clous pourraient traverser la pièce ou s'enfoncer ailleurs que dans la pièce et blesser quelqu'un.

- Ne jamais enfoncer de clous des deux côtés d'un mur en même temps. Les clous pourraient traverser le mur et blesser quelqu'un de l'autre côté.
- Ne jamais utiliser le cloueur s'il est défectueux ou qu'il ne fonctionne pas normalement.
- Ne pas se servir du cloueur comme d'un marteau.
- Retirer tous les clous restant et la batterie du cloueur lorsque:
  - 1) on entretient ou inspecte l'outil;
  - 2) on vérifie le bon fonctionnement du bras de contact et de la détente;
  - 3) fixation ou retrait du capuchon avant ;
  - 4) on élimine un blocage;
  - 5) on ne s'en sert pas ;
  - 6) on quitte l'aire de travail ;
  - 7) on le transporte dans un autre endroit ; et
  - 8) on le passe à quelqu'un d'autre.
- Retirer la batterie du cloueur quand:
  - 1) on charge les clous;
  - 2) on tourne l'ajusteur.

Ce cloueur metabo HPT est équipé d'un dispositif de commutation de l'opération de clouage.

Utiliser le MÉCANISME DE DÉCLENCHEMENT SÉQUENTIEL COMPLET ou le MÉCANISME DE DÉCLENCHEMENT PAR CONTACT en fonction du travail à effectuer.

Explication des diverses opérations de clouage

#### ○ MÉCANISME DE DÉCLENCHEMENT SÉQUENTIEL COMPLET :

D'abord, presser le levier de poussée contre le bois ; ensuite, appuyer sur la gâchette pour enfoncer le clou. Suivre le même processus pour continuer à planter des clous.

Après avoir cloué une fois, le clouage ne sera pas possible à nouveau tant que le doigt n'est pas retiré de la gâchette et que l'outil n'est pas complètement soulevé de la surface du bois.

#### ○ MÉCANISME DE DÉCLENCHEMENT PAR CONTACT :

1. Appuyer sur la gâchette.
2. Enfoncer le levier de poussée contre le bois pour enfoncer le clou.
3. Si la gâchette est maintenue appuyée, un clou sera enfoncé à chaque fois que le levier de poussée est pressé contre le bois.

La NT1865DMA(S), NT1865DMA(Y), NT1865DM(S) dispose d'un mécanisme pour prévenir le fonctionnement sans charge.

La NT1865DMA(S), NT1865DMA(Y), NT1865DM(S) passe dans un état où le bras de contact ne peut être soulevé. Cela se produit quand le magasin ne contient pas de clous ou que le nombre de clous restants est inférieur à 6 ou 9.

### ⚠ ATTENTION

- Prendre soin de ne pas cogner le bout du bras de contact contre du bois tandis que le bras ne peut pas être soulevé.

## METHODES D'UTILISATION

Le cloueur est équipé d'un levier-poussoir et il ne fonctionne pas tant que le levier-poussoir n'est pas enfoncé.

Il y a deux façons d'enfoncer des clous avec le cloueur.

Ces deux méthodes sont :

1. Fonctionnement intermittent (déclenchement par gâchette) :
  2. Fonctionnement continu (déclenchement par levier-poussoir) :
- (1) Fonctionnement intermittent (déclenchement par gâchette)

Utiliser le réglage MÉCANISME DE DÉCLENCHEMENT SÉQUENTIEL COMPLET.

### ⚠ AVERTISSEMENT

- Pour un fonctionnement intermittent, placez le bouton de clouage sur MÉCANISME DE DÉCLENCHEMENT SÉQUENTIEL COMPLET (le voyant de clouage s'allume en bleu.) (Ex. Régler sur MÉCANISME DE DÉCLENCHEMENT SIMPLE.)

- Pour éviter tout déclenchement double ou tout déclenchement accidentel du fait d'un rappel :

1) Régler sur MÉCANISME DE DÉCLENCHEMENT SÉQUENTIEL COMPLET.

2) Tirer sur la gâchette rapidement et fermement.

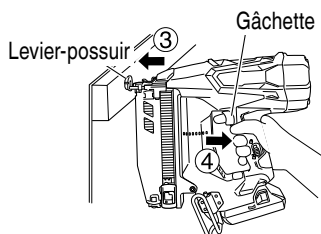
- ① Placez le bouton de clouage sur MÉCANISME DE DÉCLENCHEMENT SÉQUENTIEL COMPLET (le voyant de clouage s'allume en bleu.)
- ② Placer l'orifice de sortie des clous sur la pièce en enlevant le doigt de la gâchette.
- ③ Actionner fermement le levier-poussoir jusqu'à ce qu'il soit complètement enfoncé.
- ④ Tirer sur la gâchette pour enfoncer un clou.
- ⑤ Retirer le doigt de la détente et détacher complètement l'outil de la surface du bois.

Pour continuer à clouer à un autre endroit, déplacer le cloueur le long du bois en recommençant les opérations ② à ⑤ selon les besoins.

### REMARQUE

Les opérations ③ et ④ doivent être effectuées à 2 secondes l'une de l'autre. Si plus de 2 secondes s'écoulent après ③, le cloueur ne fonctionnera pas correctement. Si cela se produit, recommencer à partir de ③.

Témoin de l'opération de clouage (Allumé en bleu)      Commutateur de l'opération de clouage



- (2) Fonctionnement continu (déclenchement par levier-poussoir)

Utilisation du MÉCANISME DE DÉCLENCHEMENT PAR CONTACT

(NT1865DMA(Y) non compris)

### ⚠ AVERTISSEMENT

- Pour éviter tout déclenchement double ou tout déclenchement accidentel du fait d'un rappel.

1) Ne pas appuyer le cloueur trop fort contre le bois.

2) Eloigner le cloueur du bois car il effectue un rappel après le clouage.

- ① Placez le bouton de clouage sur MÉCANISME DE DÉCLENCHEMENT PAR CONTACT (le voyant de clouage clignote en bleu.)
- ② Tirer sur la gâchette en retirant le cloueur de la pièce.
- ③ Actionner le levier-poussoir contre la pièce pour enfoncer un clou.
- ④ Déplacer le cloueur le long de la pièce en lui faisant faire des bonds.

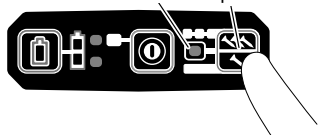
Chaque pression du levier-poussoir enfonce un clou.

Dès que le nombre de clous voulu est enfoncé, retirer le doigt de la gâchette.

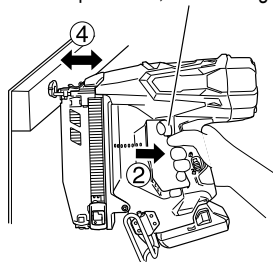
**REMARQUE**

Les opérations ② et ③ doivent être effectuées à 2 secondes l'une de l'autre. Si plus de 2 secondes s'écoulent après ②, le cloueur ne fonctionnera pas correctement. Si cela se produit, recommencer à partir de ②.

Témoin de l'opération de clouage (Clignote en bleu)      Commutateur de l'opération de clouage



Au préalable, tirer sur la gâchette



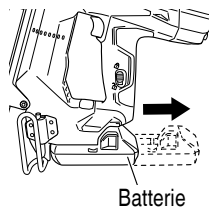
- Toujours manipuler les clous et l'emballage avec précaution. Si les recharges de clous tombent, le liant d'assemblage risque de se rompre, ce qui provoquera des erreurs d'alimentation et des bourrages.
- Après le clouage :
  - 1) retirer la batterie du cloueur ;
  - 2) sortir tous les clous du cloueur ;

**RÉGLAGE DE LA PROFONDEUR DE CLOUAGE**

Pour que chaque clou pénètre à la même profondeur, s'assurer de toujours tenir fermement le cloueur contre la pièce à usiner.

Si les clous sont trop ou pas assez enfoncés dans la pièce à usiner, régler le clouage dans la séquence suivante.

- ① Sortir la batterie du cloueur.



Batterie

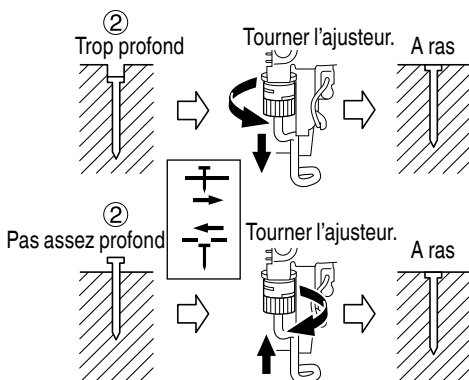
**⚠ AVERTISSEMENT**

- Ne pas mettre le doigt sur la gâchette sauf pendant une opération de clouage, car un contact accidentel du levier-poussoir sur l'opérateur ou sur les personnes alentour pourrait entraîner des blessures graves.
- Ne pas approcher les mains ni le corps de la section de sortie des clous. Ce cloueur metabo HPT risque de faire un bond sous l'effet du rappel après l'enfoncement d'un clou, ce qui pourrait enfoncer un autre clou non prévu et provoquer des blessures.

**REMARQUE**

- Si l'on respecte bien tous les avertissements et toutes les instructions, le fonctionnement s'effectuera sans danger avec les deux systèmes : MÉCANISME DE DÉCLENCHEMENT SÉQUENTIEL COMPLET, MÉCANISME DE DÉCLENCHEMENT PAR CONTACT. Pour NT1865DMA(Y), le produit est uniquement doté d'un MÉCANISME DE DÉCLENCHEMENT SÉQUENTIEL COMPLET.

- ② Si les clous s'enfoncent trop profondément, tourner l'ajusteur sur le côté peu profond. Les réglages s'effectuent par paliers d'un demi-tour.



Si les clous ne s'enfoncent pas assez profondément, tourner l'ajusteur sur le côté profond.

- ③ Cesser de tourner l'ajusteur quand on a trouvé la position qui convient lors de l'essai de clouage.
- ④ Brancher la batterie dans le cloueur. TOUJOURS PORTER DES LUNETTES DE PROTECTION. Effectuer un essai de clouage.



- ⑤ Sortir la batterie du cloueur.
- ⑥ Choisir une position de réglage adéquate.

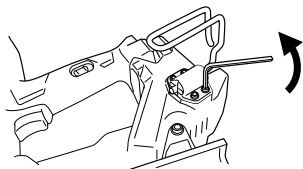
## EMPLOI DU CROCHET

### ⚠ AVERTISSEMENT

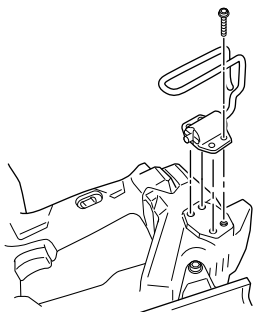
- Lorsqu'on utilise le crochet, mettre l'interrupteur d'alimentation sur arrêt (témoin vert "éteint") et faire attention à ce que l'élément principal ne tombe pas. Si l'outil tombe, il y a risque d'accident.

Le crochet peut être installé sur le côté gauche ou droit. (sauf le NT1865DMA(S))

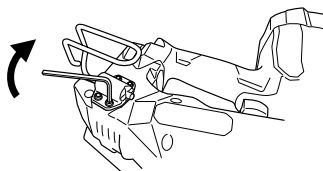
- (1) Tenir fermement la section principale et retirer la vis à l'aide d'une clé hexagonale.



- (2) Retirer le crochet et la plaque du crochet.



- (3) Fixer le crochet de l'autre côté et serrer à fond avec la vis.



### REMARQUE

Le crochet peut servir de dispositif de suspension.

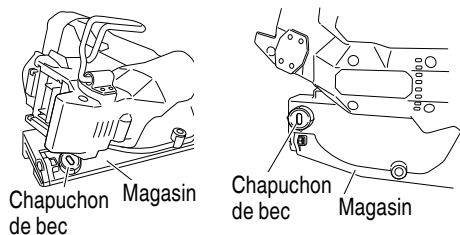
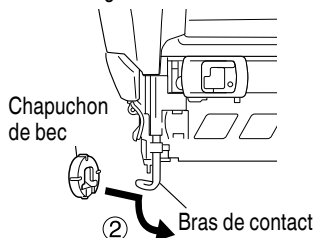
## UTILISATION DU CAPUCHON DE BEC

### ⚠ AVERTISSEMENT

- Lors de la fixation ou du retrait du capuchon de bec, s'assurer de retirer votre doigt de la gâchette et de retirer tous les clous restant et la batterie du cloueur.

Pour protéger la surface de la pièce de toute éraflure et de toutes les marques laissées par le levier-poussoir, fixer le capuchon de bec sur le levier-poussoir.

- ① Retirer tous les clous restant et la batterie du cloueur.
- ② Placer le capuchon de bec sur le sabot du levier-poussoir.
- ③ Le capuchon de la buse est identifié de manière à indiquer le point de projection du clou, ce qui permet d'effectuer plus facilement l'alignement.
- ④ Lorsqu'on ne se sert pas du capuchon avant, le ranger dans le compartiment de rangement situé sur le dessous du magasin.



NT1865DMA(S), NT1865DMA(Y) NT1865DM(S)

### REMARQUE

- Du fait de son épaisseur, le capuchon de bec peut réduire la profondeur de clouage. Re-régler la profondeur de clouage.

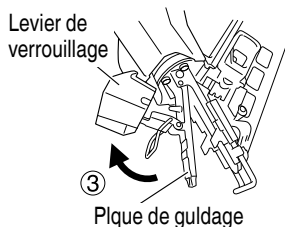
## ÉLIMINATION D'UN BLOCAGE

Si un clou se coince dans la tête de clouage, on le dégage et on règle le clouage par la démarche suivante.

### ⚠ ATTENTION

#### ● Sortir la batterie du cloueur.

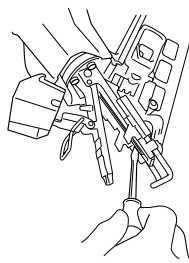
- ① Sortir la batterie du cloueur.
- ② Retirer tous les clous.
- ③ Libérer le levier de verrouillage et ouvrir la plaque de guidage.



- ④ Retirer le clou coincé avec un tournevis pour écrou à fente.

### ⚠ ATTENTION

- NE JAMAIS frapper la lame d'entraînement.
  - NE JAMAIS pointer l'outil vers vous ou une autre personne, pour éviter tout risque de blessure du fait d'un allumage défectueux.
- Même si la batterie est retirée du cloueur, il y a encore de l'énergie de l'air comprimé restant à l'intérieur.



- ⑤ Refermer la plaque de guidage et le cliquet d'arrêt.

### REMARQUE

- Si les clous se coincent fréquemment, contacter un service après-vente metabo HPT agréé.

## ENTRETIEN

### REMARQUE

Les informations contenues dans ce manuel ont pour but d'aider l'opérateur à utiliser le cloueur en toute sécurité.

Certaines des illustrations du manuel peuvent montrer des détails ou des accessoires qui diffèrent de ceux de votre cloueur.

## ENTRETIEN ET INSPECTION

<Cloueuse>

Lire la section intitulée "SECURITE" (pages 31-40).

### ⚠ AVERTISSEMENT

- Retirer du cloueur la batterie et tous les clous restant lorsque :
  - 1) on entretient ou on inspecte le cloueur ; et
  - 2) on retire des clous coincés.

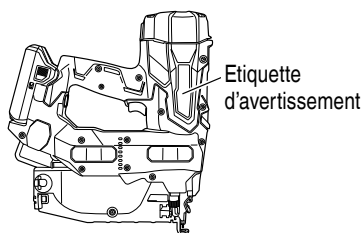
1. Inspection du magasin

- ① Extraire la batterie.
- ② Nettoyer le magasin. Ôter la poussière et les copeaux de bois pouvant s'être accumulés dans le magasin.

### ⚠ ATTENTION

- Vérifier que l'alimenteur de clous se déplace en souplesse en le poussant du doigt. S'il ne se déplace pas en souplesse, les clous risquent de s'enfoncer à un angle irrégulier et de blesser quelqu'un.

2. Remisage
  - Ne pas ranger le cloueur, la pile à combustible et la pile dans un milieu exposé au temps froid. Les conserver dans un endroit chaud.
  - Lorsqu'ils ne servent pas, ranger le cloueur, la pile à combustible et la batterie dans un endroit chaud et sec.  
Ranger hors de portée des enfants.
3. ETIQUETTE D'AVERTISSEMENT  
Remplacer l'ETIQUETTE D'AVERTISSEMENT si elle manque ou qu'elle est endommagée.  
Se procurer une nouvelle ETIQUETTE D'AVERTISSEMENT auprès d'un service après-vente metabo HPT agréé.



4. Tableau d'entretien (voir page 60)
5. Guide de dépannage de l'opérateur (voir pages 60–61)
6. Mise au rebut d'une batterie usée

**⚠ AVERTISSEMENT**

Ne pas jeter la batterie usée aux ordures ménagères. La batterie risque d'exploser si elle est incinérée. L'appareil que vous avez acheté renferme une batterie rechargeable. La batterie est recyclable. Lorsqu'elle a atteint sa limite de service, selon les lois des états et les lois locales, il peut être illégal de jeter cette batterie aux ordures ménagères. Vérifier auprès de son service de ramassage d'ordures les options de recyclage et la procédure correcte de mise au rebut.

7. Rangement  
Ranger dans un lieu dont la température est inférieure à 104°F (40°C), et hors de portée des enfants.

**REMARQUE**

Stockage des batteries au lithium-ion  
Assurez-vous que les batteries au lithium-ion ont été entièrement chargées avant de les stocker.

Le stockage prolongé (3 mois ou plus) de batteries faiblement chargées peut entraîner une détérioration des performances, réduisant considérablement la durée d'autonomie des batteries alors incapables de tenir une charge.

Il est cependant possible de recouvrer la capacité d'autonomie d'une batterie considérablement endommagée en alternant deux à cinq fois charge et utilisation.

Si la durée d'autonomie de la batterie reste extrêmement courte malgré les charges et utilisations consécutives, considérez la batterie en fin de vie et procurez-vous en une neuve.

**⚠ ATTENTION**

Lors de l'utilisation et de l'entretien d'un outil électrique, respecter les règlements et les normes de sécurité en vigueur dans le pays en question.

**Avis important sur les batteries pour outils électriques sans fil metabo HPT**

Toujours utiliser une de nos batteries originales spécifiées. Nous ne saurions garantir la sécurité et la performance de notre outil électrique sans fil s'il est utilisé avec une batterie autre que celle que nous avons spécifié, ou encore si la batterie est démontée et modifiée (par exemple, le démontage et remplacement des cellules ou autres composants internes).

**ENTRETIEN ET REPARATIONS**

**⚠ AVERTISSEMENT**

- Les réparations du cloueur seront confiées exclusivement au personnel d'entretien formé par metabo HPT, au distributeur ou à l'employeur.
- Pour les réparations, utiliser exclusivement des pièces fournies ou recommandées par metabo HPT.

Du fait de l'usure normale, les cloueurs de qualité finissent toujours par avoir besoin d'un entretien ou d'un remplacement de pièce.

**REMARQUE**

Les spécifications sont sujettes à modification sans préavis et sans aucune obligation de la part de metabo HPT.

Tableau d'entretien

Action	Pourquoi	Comment
Nettoyer le magasin et le mécanisme de l'alimenteur de clous.	Eviter que les clous ne se coincent.	Nettoyer en soufflant de l'air tous les jours.
Veiller à ce que le levier-poussoir fonctionne toujours correctement.	Assurer la sécurité de l'opérateur et un fonctionnement efficace du cloueur.	Nettoyer en soufflant de l'air tous les jours.

## Guide de dépannage pour l'utilisateur

La plupart des problèmes bénins peuvent être rapidement et facilement corrigés au moyen du tableau ci-dessous. Si le problème persiste, communiquez avec un centre de service metabo HPT autorisé pour obtenir de l'aide.

PROBLÈME	VÉRIFICATION	CORRECTION
Ne se met pas sous tension. S'allume une fois, mais s'éteint automatiquement.	Faible charge de la batterie.	Chargez la batterie.
	Composants électroniques internes endommagés.	Communiquer avec metabo HPT pour l'inspection.
	Le levier-poussoir et/ou la gâchette sont-ils en état MARCHE ?	Garder le levier-poussoir et la gâchette en état ARRÊT.
	Reste sans fonctionnement pendant plus de 30 minutes? (Fonction d'extinction automatique)	Maintenez enfoncé l'interrupteur d'alimentation pendant plus d'une seconde pour mettre l'outil sous tension.
Le cloueur ne fonctionne pas. (Interrupteur d'alimentation sur ON)	Le cloueur n'est pas assez appuyé contre la pièce.	Tenez fermement le cloueur et poussez-le complètement contre la pièce.
	Gâchette pas assez enclenchée.	Enclenchez complètement la gâchette.
	Plus de 2 secondes s'écoulent entre levier-poussoir MARCHE et gâchette MARCHE (ou entre gâchette MARCHE et levier-poussoir MARCHE).	S'assurer que moins de 2 secondes s'écoulent entre levier-poussoir MARCHE et gâchette MARCHE (ou entre gâchette MARCHE et levier-poussoir MARCHE).
	Mécanisme préventif activé. (Pas de clous, ou trop peu de clous restant) (NT1865DMA(S) / NT1865DM(S) seulement)	Recharger les clous dans le magasin.
	Le levier de verrouillage (fonction de verrouillage de la gâchette) est sur la position ON	Placez le levier de verrouillage sur la position OFF. (Voir page 50)
	La machine est trop froide (en dessous de 23 °F (-5 °C)) ou trop chaude. (Le témoin DEL clignote à intervalles réguliers, et le commutateur d'alimentation s'éteint au bout de 10 secondes.) (Voir page 49)	Laissez suffisamment refroidir ou chauffer le cloueur dans des conditions adéquates.
	Composants électroniques internes endommagés.	Communiquer avec metabo HPT pour l'inspection.

PROBLÈME	VÉRIFICATION	CORRECTION
Le cloueur fonctionne, mais aucun clou n'est enfoncé.	Le magasin est sale.	Nettoyant le magasin en soufflant de l'air et en l'essuyant.
	Vérifiez s'il y a des clous bloqués.	Retirez les clous bloqués (voir page 58).
	La lame d'entraînement est-elle usée ou endommagée?	Communiquer avec metabo HPT pour l'inspection.
	Le ressort à ruban est-il affaibli ou endommagé?	Remplacez le ressort à ruban.
	L'alimenteur de clous est-il endommagé?	Remplacez l'alimenteur de clous.
	Vérifiez si les bons clous sont utilisés.	Utilisez seulement les clous recommandés.
Enfoncement faible. Cycle lent.	Vérifiez la position de l'ajusteur de profondeur des clous.	Réajustez selon la page 56.
	La lame d'entraînement est-elle usée?	Communiquer avec metabo HPT pour l'inspection.
	La pression de l'air comprimé est devenue faible.	Communiquer avec metabo HPT pour l'inspection.
	Composants électroniques internes endommagés.	Communiquer avec metabo HPT pour l'inspection.
Enfoncement trop profond.	Vérifiez la position de l'ajusteur de profondeur des clous.	Réajustez selon la page 56.
Des clous sont sautés. Alimentation intermittente.	Vérifiez si les bons clous sont utilisés.	Utilisez seulement les clous recommandés.
	L'alimenteur de clous est-il endommagé?	Remplacez l'alimenteur de clous.
	Le ressort à ruban est-il affaibli ou endommagé?	Remplacez le ressort à ruban.
	La lame d'entraînement est-elle usée ou endommagée?	Communiquer avec metabo HPT pour l'inspection.
Des clous se coincent. Le clou enfoncé est tordu.	Vérifiez si les bons clous sont utilisés.	Utilisez seulement les clous recommandés.
	La lame d'entraînement est-elle usée ou endommagée?	Communiquer avec metabo HPT pour l'inspection.
Le témoin de batterie résiduelle sur la machine ne correspond pas à la batterie	—	Se reporter au témoin lumineux sur la batterie.

---

## INFORMACIÓN IMPORTANTE

---



Lea y comprenda el significado de las etiquetas de la herramienta y todas las instrucciones de funcionamiento, las precauciones de seguridad y las advertencias de este manual antes de realizar la operación o el mantenimiento de este clavador.

La negligencia en la observación de las advertencias puede producir la MUERTE o LESIONES DE GRAVEDAD.

La mayoría de los accidentes ocurridos al utilizar o mantener este clavador se deben a la falta de tener en cuenta las normas de seguridad y precauciones básicas. Los accidentes podrán evitarse en muchos casos dándose cuenta de una situación peligrosa antes de que se produzca, y siguiendo fielmente los procedimientos de seguridad apropiados.

Las precauciones básicas de seguridad se describen en la sección “SEGURIDAD” de este manual, y en las secciones que contienen las instrucciones sobre operación y mantenimiento.

Los riesgos que habrá que eludir para evitar lesiones o el daño de la máquina se identifican mediante PELIGRO y ADVERTENCIA en el clavador y en este manual.

No utilice **NUNCA** este clavador para aplicaciones que no sean las especificadas en este manual.

---

## DEFINICIÓN DE LAS PALABRAS CLAVE

---

**PELIGRO** indica una situación inminentemente peligrosa que, si no se evita, puede resultar en lesiones serias o en la muerte.

**ADVERTENCIA** indica una situación potencialmente peligrosa que, si no se evita, puede resultar en lesiones serias o en la muerte.

**PRECAUCIÓN** indica una situación potencialmente peligrosa que, si no se evita, puede resultar en lesiones menores, o en el daño de la máquina.

**NOTA** enfatiza información esencial.

---

## EXPLICACIÓN LA ACCIÓN DE CLAVADO DEL CLAVADOR metabo HPT

---

- MECANISMO DE ACTUACIÓN COMPLETAMENTE SECUENCIAL:  
En primer lugar, presione la palanca de empuje contra la madera y, a continuación, jale el gatillo para introducir el sujetador. Realice la misma secuencia para seguir introduciendo los sujetadores.
- MECANISMO DE ACTUACIÓN POR CONTACTO: (NT1865DMA(Y) excluido)  
En primer lugar, jale el gatillo y, seguidamente, presione la palanca de empuje contra la madera para que se introduzca el sujetador.  
Si mantiene el gatillo apretado, se introducirá un sujetador cada vez que se presiona la palanca de empuje contra la madera.

# SEGURIDAD

## ADVERTENCIAS DE SEGURIDAD GENERAL DE LA HERRAMIENTA ELÉCTRICA

### ⚠ ADVERTENCIA

**Lea todas las instrucciones y todas las advertencias de seguridad.**

Si no se siguen las advertencias e instrucciones, podría producirse una descarga eléctrica, un incendio y/o daños graves.

**Guarde todas las advertencias e instrucciones para futura referencia.**

El término “herramienta eléctrica” en las advertencias hace referencia a la herramienta eléctrica que funciona con la red de suministro (con cable) o a la herramienta eléctrica que funciona con pilas (sin cable).

### 1) Seguridad en el área de trabajo

#### a) Mantenga la zona de trabajo limpia y bien iluminada.

Las zonas desordenadas o oscuras pueden provocar accidentes.

#### b) No utilice las herramientas eléctricas en entornos explosivos como, por ejemplo, en presencia de líquidos inflamables, gases o polvo.

Las herramientas eléctricas crean chispas que pueden hacer que el polvo desprenda humo.

#### c) Mantenga a los niños y transeúntes alejados cuando utilice una herramienta eléctrica.

Las distracciones pueden hacer que pierda el control.

### 2) Seguridad eléctrica

#### a) Los enchufes de las herramientas eléctricas tienen que ser adecuados a la toma de corriente.

**No modifique el enchufe.**

**No utilice enchufes adaptadores con herramientas eléctricas conectadas a tierra.**

Si no se modifican los enchufes y se utilizan tomas de corriente adecuadas se reducirá el riesgo de descarga eléctrica.

#### b) Evite el contacto corporal con superficies conectadas a tierra como tuberías, radiadores y frigoríficos.

Hay mayor riesgo de descarga eléctrica si su cuerpo está en contacto con el suelo.

#### c) No exponga las herramientas eléctricas a la lluvia o a la humedad.

La entrada de agua en una herramienta eléctrica aumentará el riesgo de descarga eléctrica.

#### d) No utilice el cable incorrectamente. No utilice el cable para transportar, tirar de la herramienta eléctrica o desenchufarla.

**Mantenga el cable alejado del calor, del aceite, de bordes afilados o piezas móviles.**

Los cables dañados o enredados aumentan el riesgo de descarga eléctrica.

#### e) Cuando utilice una herramienta eléctrica al aire libre, utilice un cable prolongador adecuado para utilizarse al aire libre.

La utilización de un cable adecuado para usarse al aire libre reduce el riesgo de descarga eléctrica.

#### f) Si no se puede evitar el uso de una herramienta eléctrica en un lugar húmedo, utilice un suministro protegido mediante un dispositivo de corriente residual (RCD).

El uso de un RCD reduce el riesgo de descarga eléctrica.

### 3) Seguridad personal

#### a) Esté atento, preste atención a lo que hace y utilice el sentido común cuando utilice una herramienta eléctrica.

**No utilice una herramienta eléctrica cuando esté cansado o esté bajo la influencia de drogas, alcohol o medicación.**

La distracción momentánea cuando utiliza herramientas eléctricas puede dar lugar a importantes daños personales.

#### b) Utilice un equipo de protección. Utilice siempre una protección ocular.

El equipo de protección como máscara para el polvo, zapatos de seguridad antideslizantes, casco o protección para oídos utilizado para condiciones adecuadas reducirá los daños personales.

#### c) Evite un inicio involuntario. Asegúrese de que el interruptor está en “off” antes de conectar la herramienta a una fuente de alimentación y/o batería, cogerla o transportarla.

El transporte de herramientas eléctricas con el dedo en el interruptor o el encendido de herramientas eléctricas con el interruptor encendido puede provocar accidentes.

## SEGURIDAD — Continuación

- d) Retire las llaves de ajuste antes de encender la herramienta eléctrica.**  
Si se deja una llave en una pieza giratoria de la herramienta eléctrica podrían producirse daños personales.
- e) No se extralimite. Mantenga un equilibrio adecuado en todo momento.**  
Esto permite un mayor control de la herramienta eléctrica en situaciones inesperadas.
- f) Vístase adecuadamente. No lleve prendas sueltas o joyas. Mantenga el pelo, la ropa y los guantes alejados de las piezas móviles.**  
La ropa suelta, las joyas y el pelo largo pueden pillarse en las piezas móviles.
- g) Si se proporcionan dispositivos para la conexión de extracción de polvo e instalaciones de recogida, asegúrese de que están conectados y se utilizan adecuadamente.**  
La utilización de un sistema de recogida de polvo puede reducir los riesgos relacionados con el polvo.
- 4) Utilización y mantenimiento de las herramientas eléctricas**
- a) No fuerce la herramienta eléctrica. Utilice la herramienta eléctrica correcta para su aplicación.**  
La herramienta eléctrica correcta trabajará mejor y de forma más segura si se utiliza a la velocidad para la que fue diseñada.
- b) No utilice la herramienta eléctrica si el interruptor no la enciende y apaga.**  
Las herramientas eléctricas que no pueden controlarse con el interruptor son peligrosas y deben repararse.
- c) Antes de hacer ajustes, cambiar accesorios o almacenar las herramientas eléctricas, desconecte el enchufe de la fuente eléctrica y/o las baterías de la herramienta.**  
Estas medidas de seguridad preventivas reducen el riesgo de que la herramienta eléctrica se ponga en marcha accidentalmente.
- d) Guarde las herramientas eléctricas que no se utilicen para que no las cojan los niños y no permita que utilicen las herramientas eléctricas personas no familiarizadas con las mismas o con estas instrucciones.**  
Las herramientas eléctricas son peligrosas si son utilizadas por usuarios sin formación.
- e) Mantenimiento de las herramientas eléctricas. Compruebe si las piezas móviles están mal alineadas o unidas, si hay alguna pieza rota u otra condición que pudiera afectar al funcionamiento de las herramientas eléctricas.**  
Si la herramienta eléctrica está dañada, llévela a reparar antes de utilizarla.  
Se producen muchos accidentes por no realizar un mantenimiento correcto de las herramientas eléctricas.
- f) Mantenga las herramientas de corte afiladas y limpias.**  
Las herramientas de corte correctamente mantenidas con los bordes de corte afilados son más fáciles de controlar.
- g) Utilice la herramienta eléctrica, los accesorios y las brocas de la herramienta, etc. de acuerdo con estas instrucciones, teniendo en cuenta las condiciones laborales y el trabajo que se va a realizar.**  
La utilización de la herramienta eléctrica para operaciones diferentes a pretendidas podría dar lugar a una situación peligrosa.
- 5) Utilización y cuidado de las herramientas a pilas**
- a) Recargue sólo con el cargador especificado por el fabricante.**  
Un cargador que es apto para un tipo de paquete de pilas podría crear un riesgo de incendio cuando se utiliza con otro paquete de pilas.
- b) Utilice herramientas eléctricas sólo con paquetes de pilas específicamente diseñados.**  
La utilización de otros paquetes de pilas podría crear riesgo de daños e incendio.
- c) Cuando no se utilice el paquete de pilas, manténgalo alejado de otros objetos metálicos como clips, monedas, llaves, clavos, tornillos u otros objetos metálicos pequeños que puedan hacer una conexión de un terminal a otro.**  
Si se acortan los terminales de las pilas podrían producirse quemaduras o incendios.
- d) Bajos condiciones abusivas, podría expulsarse líquido de la pila; evite todo contacto. En caso de que se produzca contacto accidentalmente, enjuague con agua. Si entra líquido en los ojos, busque ayuda médica.**



## SEGURIDAD — Continuación

El líquido expulsado de la pila podría causar irritación o quemaduras.

### 6) Revisión

- a) **Lleve su herramienta a que la revise un experto cualificado que utilice sólo piezas de repuesto idénticas.**

Esto garantizará el mantenimiento de la seguridad de la herramienta eléctrica.

### – ADVERTENCIA –

Para disminuir el riesgo de lesiones, el usuario debe leer el manual de instrucciones.

## ADVERTENCIAS DE SEGURIDAD DE LA CLAVADORA

### ADVERTENCIA

- **Siempre asuma que la herramienta contiene clavos.** *Una manipulación descuidada de la clavadora puede resultar en el lanzamiento inesperado de clavos y lesiones personales.*
- **No apunte con la herramienta hacia usted mismo ni a nadie que se encuentre cerca.** *Un disparo inesperado provocará una descarga de la clavadora y lesiones.*
- **No accione la herramienta a menos que esté firmemente colocada contra la pieza de trabajo.** *Si la herramienta no está en contacto con la pieza de trabajo, el clavo podría desviarse de su objetivo.*
- **Desconecte la herramienta de la fuente de suministro eléctrico cuando se atasque un clavo en herramienta.** *Al extraer un clavo atascado, la clavadora se puede activar accidentalmente si está enchufada.*
- **Tenga cuidado al extraer un clavo atascado.** *El mecanismo puede estar sometido a compresión y el clavo puede descargarse por la fuerza cuando se intenta liberar una situación de atasco.*
- **No utilice esta clavadora para fijar cables eléctricos.** *No está diseñada para la instalación de cables eléctricos y puede dañar el aislamiento de los cables eléctricos, causando de ese modo descargas eléctricas o peligro de incendios.*

**SEGURIDAD** — Continuación**INSTRUCCIONES IMPORTANTES DE SEGURIDAD PARA LA UTILIZACIÓN DEL CLAVADOR****LEA TODAS LAS INSTRUCCIONES****⚠ PELIGRO**

- 1. LOS OPERADORES Y DEMÁS PERSONAS QUE SE ENCUENTREN EN EL ÁREA DE TRABAJO DEBEN USAR GAFAS PROTECTORAS CON BLINDAJES LATERALES.**



Antes de utilizar el clavador, utilice siempre gafas protectoras con blindajes laterales, y asegúrese de que también sea utilizada por todas las personas que se encuentren en el área de trabajo. Las gafas protectoras deberán estar de acuerdo con los requisitos del Instituto de Normas Nacionales Americanas, ANSI Z87.1 y proporcionar protección contra las partículas despedidas desde la parte frontal y posterior.

El empresario deberá hacer que el operador del clavador y demás personas que se encuentren en el área de trabajo utilicen en todo momento gafas protectoras.

**⚠ ADVERTENCIA**

- 2. NO DIRIJA NUNCA LA HERRAMIENTA HACIA SÍ MISMO O HACIA OTRAS PERSONAS DEL ÁREA DE TRABAJO.**



Piense siempre que el clavador puede tener clavos cargados.

No dirija nunca el clavador hacia sí mismo o hacia otras personas, independientemente de que contenga o no clavos.

Si utilizase los clavos incorrectamente, podrían producirse lesiones serias.

No juegue nunca con el clavador.

Trate el clavador como herramienta de trabajo.

- 3. PARA EVITAR UN DISPARO ACCIDENTAL, MANTENGA SUS DEMOS ALEJADOS DEL DISPARADOR CUANDO NO SE ESTÁN METIENDO LOS SUJETADORES.**

No transporte nunca el clavador con el dedo en el gatillo, porque podría lanzar un clavo y lesionarse usted mismo o a otra persona.

Transporte siempre el clavador por la empuñadura.

- 4. ES IMPORTANTE LA ELECCIÓN DE MÉTODO DE ACTIVACIÓN.**

Lea y comprenda la sección titulada "Métodos de operación". (páginas 86–87)

- 5. UTILICE SIEMPRE PROTECTORES PARA LOS OÍDOS Y LA CABEZA.**

Utilice siempre protectores para los oídos contra el ruido fuerte.

Utilice siempre un protector para la cabeza contra los objetos que puedan salir disparados.

- 6. UTILIZAR DENTRO DE LOS LÍMITES DE TEMPERATURA ADECUADOS.**

El entorno operativo para este dispositivo es de 32°F (0°C) a 104°F (40°C), por lo que debe utilizarlo dentro de este rango de temperatura.

El dispositivo puede fallar por debajo de 32°F (0°C) y por encima de 104°F (40°C).

- 7. GUARDE ADECUADAMENTE EL CLAVADOR Y EXTRAIGA LA BATERÍA.**

Cuando no vaya a utilizar el clavador, la batería y el cargador se deben guardar en un lugar seco. Manténgalo alejado de los niños. Cierre con llave el lugar de almacenamiento.

- 8. MANTENGA EL ÁREA DE TRABAJO LIMPIA.**

Las áreas desordenadas pueden provocar lesiones. Limpie bien el área de trabajo, apartando herramientas innecesarias, residuos, muebles, etc.

- 9. MANTENGA A LOS VISITANTES ALEJADOS.**

No permita que los visitantes toquen el clavador.

Todos los visitantes deberán permanecer alejados del área de trabajo.

## SEGURIDAD — Continuación

### 10. VÍSTASE ADECUADAMENTE.

No utilice ropa floja ni joyas, ya que podrían pillarse en las partes móviles.

Para trabajar en exteriores se recomienda utilizar guantes de goma y calzado no deslizante.

Si tiene el pelo largo, utilice un protector para recogerse.

### 11. COMPRUEBE LA PALANCA DE EMPUJE ANTES DE LA UTILIZACIÓN.

Cerchiórese de que la palanca de empuje funcione adecuadamente. (La palanca de empuje puede denominarse "Seguridad".) No utilice nunca el clavador a menos que la palanca de empuje funcione adecuadamente, ya que de lo contrario el clavador podría disparar inesperadamente un clavo. No cambie ni quite la palanca de empuje.

### 12. MANTENGA TODOS LOS TORNILLOS Y CUBIERTAS BIEN APRETADAS EN SU LUGAR.

Mantenga todos los tornillos y cubiertas firmemente apretados. Compruebe periódicamente su condición. No utilice nunca el clavador si hay piezas perdidas o dañadas.

### 13. NO CARGUE CLAVOS CON EL GATILLO O LA PALANCA DE EMPUJE PRESIONADA.

Al cargar los clavos en la Clavadora,

- 1) no apriete el gatillo;
- 2) no presione la palanca de empuje; ni
- 3) mantenga el clavador apuntado hacia abajo.

### 14. MANTENGA EL ROSTRO, LAS MANOS Y PIES ALEJADOS DEL CABEZAL DE DISPARO MIENTRAS LO ESTÉ UTILIZANDO.

No coloque el rostro, las manos ni pies a una distancia inferior a 8 pulgadas (200 mm) del cabezal de disparo.

Si la pieza de trabajo desvía los clavos o si éstos salen del punto de introducción puede sufrir lesiones serias.

### 15. COLOQUE EL CLAVADOR ADECUADAMENTE SOBRE LA PIEZA DE TRABAJO.

No clave un clavo sobre otro, ni con el clavador con un ángulo demasiado agudo, ya que los clavos podrían rebotar y herir a alguien.

### 16. ANTES DE EMPEZAR A TRABAJAR, VERIFIQUE EL DISPOSITIVO DE CONMUTACIÓN PARA LA OPERACIÓN DE SUJECCIÓN.

Este clavador metabo HPT incluye un dispositivo de conmutación para la operación de sujeción.

Antes de empezar a trabajar, verifique el ajuste del dispositivo de conmutación para la operación de clavado.

Si el dispositivo de conmutación para la operación de clavado no está debidamente ajustado, el clavador no funcionará correctamente.

### 17. TENGA CUIDADO CON EL DOBLE DISPARO DEBIDO AL CULATEO.

Si la palanca de empuje vuelve a entrar en contacto accidentalmente con la pieza de trabajo, producirá un culateo, y saldrá disparado un clavo inesperado.

Para evitar este doble disparo;

- Operación intermitente (disparo con el gatillo)
  - 1) Ajuste el mecanismo de conmutación a MECANISMO DE ACTUACIÓN COMPLETAMENTE SECUENCIAL.
  - 2) Jale el gatillo rápida y firmemente.
- Operación continua (disparo con la palanca de empuje) (NT1865DMA(Y) excluido)
  - 1) No presione el clavador contra la madera con una fuerza excesiva.
  - 2) Después de efectuar la sujeción, retire el clavador de la madera para evitar la reculada.

### 18. NO CLAVE EN PANELES FINOS, NI CERCA DE LAS ESQUINAS NI LOS BORDES DE LA PIEZA DE TRABAJO.

Los clavos podrían atravesar la pieza de trabajo y herir a alguien.

### 19. NO CLAVE NUNCA CLAVOS DESDE AMBOS LADOS DE UNA PARED AL MISMO TIEMPO.

Los clavos podrían traspasar el panel y lesionar a la persona que se encuentra en el lado opuesto.

### 20. COMPRUEBE SI HAY CABLES ACTIVOS.

Evite el riesgo de descargas eléctricas comprobando si hay cables activos escondidos en paredes, suelos, o techos. Abra el disyuntor para asegurarse de que no queden cables activos.

### 21. NO SE EXTRALIMITE.

Mantenga en todo momento un buen equilibrio.

### 22. NO UTILICE NUNCA UN CLAVADOR DEFECTUOSO O QUE FUNCIONE INCORRECTAMENTE.

Si el clavador parece funcionar anormalmente, si produce ruidos extraños, etc., deje de utilizarlo inmediatamente y solicite su reparación a un centro de servicio autorizado por metabo HPT.

### 23. QUITE TODOS LOS SUJETADORES RESTANTES Y LA BATERÍA DE LA CLAVADORA CUANDO:

- 1) realice trabajos de mantenimiento e inspección,
- 2) control del buen funcionamiento de la palanca de empuje y del gatillo;
- 3) fije o quite la tapa del morro,

## SEGURIDAD — Continuación

- 4) tenga que desatascarlo,
- 5) no vaya a utilizarlo,
- 6) abandone el área de trabajo,
- 7) lo traslade a otro lugar, y
- 8) vaya a entregárselo a otra persona.

No intente nunca desatascar ni reparar el clavador sin haber quitado la batería y todos los mecanismos de cierre del clavador.

No deje nunca el clavador desatendido, porque personas no familiarizadas con él podrían utilizarlo y sufrir lesiones.

### 24. EXTRAIGA LA BATERÍA DEL CLAVADOR CUANDO:

- 1) cargue los sujetadores,
- 2) gire el ajustador.

### 25. PERMANEZCA ALERTA.

Tenga en cuenta lo que esté haciendo. Utilice el sentido común.

No utilice el clavador cuando esté cansado.

No utilice nunca el clavador si se encuentra bajo la influencia del alcohol, drogas, o medicinas que le produzcan somnolencia.

### 26. MANEJE CORRECTAMENTE EL CLAVADOR.

Maneje el clavador de acuerdo con las instrucciones de este manual.

No permita nunca que los niños, personas no familiarizadas o no autorizadas, toquen el clavador.

### 27. NO UTILICE NUNCA EL CLAVADOR PARA APLICACIONES QUE NO SEAN LAS ESPECIFICADAS EN ESTE MANUAL.

### 28. MANEJE EL CLAVADOR CON CUIDADO.

No deje caer la Clavadora ni la golpee contra superficies duras; no arañe ni grabe signos en la Clavadora. Maneje la Clavadora con cuidado.

### 29. MANTENGA EL CLAVADOR CON CUIDADO.

Mantenga el clavador limpio y lubricado para que rinda al máximo y con la mayor seguridad.

### 30. UTILICE SOLAMENTE LAS PIEZAS, ACCESORIOS, Y CLAVOS QUE SUMINISTRE O RECOMIENDE metabo HPT.

Las piezas, accesorios, o clavos no autorizados pueden anular la garantía y provocar el mal funcionamiento, lo que podría resultar en lesiones.

El clavador solamente deberá ser reparado por metabo HPT, un distribuidor, o el empresario.

### 31. NO MODIFIQUE NI ALTERE NUNCA EL CLAVADOR.

Si lo hicese podría funcionar mal y provocar lesiones.

### 32. NUNCA acerque imanes (o dispositivos magnéticos similares) a la clavadora, ya que la clavadora tiene un sensor magnético en su interior.

Hacerlo provocará un fallo o riesgo de lesiones físicas por fallos de funcionamiento.

## INSTRUCCIONES IMPORTANTES DE SEGURIDAD PARA EL CARGADOR DE BATERÍAS

### ⚠ ADVERTENCIA

**La utilización inadecuada del cargador de baterías puede resultar en lesiones serias o en la muerte. Para evitar estos riesgos, siga las instrucciones de seguridad ofrecidas a continuación:**

### LEA TODAS LAS INSTRUCCIONES

1. Este manual contiene importantes instrucciones de seguridad y de funcionamiento para el cargador de batería modelo UC18YFSL.
2. Antes de utilizar el cargador de baterías, lea todas las instrucciones y tenga en cuenta las marcas de precaución de (1) el cargador de baterías, (2) la batería, y (3) el producto que utiliza la batería.
3. Para reducir el riesgo de lesiones, cargue la batería recargable metabo HPT del tipo de serie BSL18. Otros tipos de baterías podrían explotar causando lesiones y daños.
4. La utilización de un accesorio no recomendado o vendido por el fabricante del cargador de baterías puede resultar en el riesgo de incendios, en descargas eléctricas, o en lesiones.
5. Para reducir el riesgo de dañar el cable y el enchufe, para desconectar el cable del cargador de baterías, tire del enchufe.
6. Cerciórese de que el cable quede situado donde no pueda pisarse, donde nadie pueda tropezar con él, y donde no pueda recibir daños.
7. A menos que sea absolutamente necesario, no deberá utilizarse un cable prolongador. La utilización de un cable prolongador inadecuado podría resultar en el riesgo de incendios y descargas eléctricas. Cuando tenga que utilizar un cable prolongador, cerciórese de que:
  - a. El enchufe del cable prolongador sea igual en tamaño y forma que el del cargador de baterías;

## SEGURIDAD — Continuación

- b. El cable prolongador esté adecuadamente conectado y en buenas condiciones eléctricas; y
- c. Que el calibre del cable sea suficiente para el amperaje de CA del cargador de baterías, como se especifica en la Tabla 1.

Tabla 1

### CALIBRE (AWG) MÍNIMO RECOMENDADO PARA CABLES PROLONGADORES PARA EL CARGADOR DE BATERÍAS

Amperaje nominal de entrada de CA*		Calibre (AWG) del cable			
Igual o superior a	pero inferior a	Longitud del cable, Pies (metros)			
		25 (7.5)	50 (15)	100 (30)	150 (45)
0	2	18	18	18	16
2	3	18	18	16	14
3	4	18	18	16	14

\* Si la entrada nominal del cargador de baterías se indica en vatios en vez de amperios, el amperaje nominal correspondiente se determinará dividiendo el vataje por la tensión, por ejemplo:

$$\frac{1,250 \text{ vatios}}{125 \text{ voltios}} = 10 \text{ amperios}$$

- No utilice el cargador de baterías con un cable o un enchufe dañado. Si están dañados, reemplácelos inmediatamente.
- No utilice el cargador de baterías si ha recibido un golpe, si ha caído, o si está dañado de alguna otra forma. Llévelo a un técnico cualificado.
- No desarme el cargador de baterías. Cuando necesite reparación, llévelo a un técnico cualificado. El reensamblaje incorrecto podría resultar en el riesgo de incendios o descargas eléctricas.
- Para reducir el riesgo de descargas eléctricas, desenchufe el cargador del tomacorriente antes de intentar realizar cualquier operación de mantenimiento o de limpiarlo. La extracción de la batería no reducirá este riesgo.

### INSTRUCCIONES IMPORTANTES DE SEGURIDAD PARA LA BATERÍA Y EL CARGADOR DE BATERÍAS

Usted deberá cargar la batería antes de utilizar la herramienta eléctrica. Antes de utilizar el cargador de baterías modelo UC18YFSL, cerciédese de leer todas las instrucciones y precauciones del mismo, de la batería, y de este manual.

**RECUERDE: ¡UTILICE SOLAMENTE BATERÍAS metabo HPT DEL TIPO SERIE BSL18. LOS DEMÁS TIPOS DE BATERÍAS PODRÍAN EXPLOTAR Y CAUSAR LESIONES!**

Para evitar el riesgo de lesiones, siga las instrucciones ofrecidas a continuación:

#### ADVERTENCIA

**La utilización inadecuada de la batería o del cargador de baterías puede conducir a lesiones serias. Para evitar estas lesiones:**

- NUNCA** desarme la batería.
- NUNCA** incinere una batería, aunque esté dañada o completamente agotada.
- NUNCA** cortocircuite la batería.
- NUNCA** inserte ningún objeto en las ranuras de ventilación del cargador. Si lo hiciere podría recibir descargas eléctricas o dañar el cargador de baterías.
- NUNCA** cargue en exteriores. Mantenga la batería alejada de la luz solar directa, y utilícela solamente donde haya poca humedad y una buena ventilación.
- NUNCA** cargue cuando la temperatura sea inferior a 32°F (0°C) o superior a 104°F (40°C).
- NUNCA** conecte dos cargadores de baterías juntos.
- NUNCA** inserte objetos extraños en el orificio para la batería ni en el cargador de baterías.
- NUNCA** utilice un transformador elevador para cargar.
- NUNCA** utilice un motogenerador ni tensión de CC para cargar.
- NUNCA** almacene la batería ni el cargador de la batería en lugares en los que la temperatura pueda llegar a los 104 °F (40 °C) o superar dicha temperatura, como dentro de una caja metálica o un auto.
- NUNCA** exponga la batería ni el cargador de la batería a condiciones de lluvia a humedad.

## SEGURIDAD — Continuación

13. **SIEMPRE** utilice el cargador con un tomacorriente (120 voltios). La utilización de un cargador con cualquier otra tensión podría hacer que éste se recalentase y dañase.
14. **SIEMPRE** espere 15 minutos por lo menos entre las cargas para evitar que el cargador se recaliente.
15. **SIEMPRE** desconecte el cable de alimentación del tomacorriente cuando no vaya a utilizar el cargador.

### ADVERTENCIA DE LA BATERÍA DE LITIO

Para ampliar su duración, la batería de litio está equipada con la función de protección para detener la salida.

En los casos 1 a 3 descritos más abajo, cuando utilice este producto, incluso si tira del interruptor, el motor puede detenerse. No es un problema, sino el resultado de la función de protección.

1. Cuando la batería restante se agota, el motor se detiene.  
En este caso, cárguela inmediatamente.
2. Si la herramienta se sobrecarga, el motor puede detenerse. En este caso, suelte el interruptor de la herramienta y elimine las causas de la sobrecarga. A continuación, puede volverla a utilizar.
3. Si la batería se calienta excesivamente al realizar un trabajo de sobrecarga, la potencia de la batería podría pararse.  
En este caso, deje de utilizar la batería y deje que se enfríe. Posteriormente puede utilizarla de nuevo.

Asimismo, preste atención a las siguientes advertencias y precauciones.

#### ⚠ ADVERTENCIA

Para evitar fugas de la batería, generación de calor, emisión de humo, explosiones e igniciones, preste atención a las siguientes precauciones.

1. Asegúrese de que no entran virutas o polvo en la batería.
- Durante el trabajo, asegúrese de que no caen virutas o polvo en la batería.
- Asegúrese de que las virutas o el polvo que caen sobre la herramienta eléctrica durante el trabajo no entran en la batería.
- No almacene una batería sin utilizar en un lugar expuesto a virutas y polvo.
- Antes de almacenar una batería, retire las virutas y el polvo que se haya adherido y no la almacene junto a piezas metálicas (tornillos, clavos, etc.).

2. No agujeree la batería con un objeto afilado como un clavo, no la golpee con un martillo, la pise, la tire o la exponga a fuertes impactos físicos.
3. No utilice una batería que pudiera estar dañada o deformada.
4. No utilice la batería con las polaridades cambiadas.
5. No conecte la batería directamente a salidas eléctricas o a los encendedores de cigarrillos de los coches.
6. No utilice la batería para un fin diferente a los especificados.
7. Si la carga de la batería no finaliza incluso cuando ha transcurrido un determinado tiempo de recarga, detenga inmediatamente la recarga.
8. No coloque o exponga la batería a temperaturas elevadas o alta presión como en un microondas, una secadora o un contenedor de gran presión.
9. Aléjela del fuego inmediatamente cuando se detecte una fuga o un olor raro.
10. No la utilice en un lugar donde se genere gran electricidad estática.
11. Si hay una fuga de la batería, mal olor, se genera color, está descolorida o deformada, o de algún modo funciona de forma anormal durante su utilización, recarga o almacenamiento, retírela inmediatamente del equipo o del cargador de la batería y detenga su utilización.
12. No sumerja la batería ni permita que fluidos entren en ella. La entrada de líquidos conductores, como el agua, puede provocar daños que resulten en incendios o explosiones. Guarde la batería en un lugar fresco y seco, alejado de los materiales combustibles e inflamables. Las atmósferas con gases corrosivos deben ser evitadas.

#### ⚠ PRECAUCIÓN

1. Si el líquido de fuga de la batería entra en contacto con los ojos, no se los frote y lávelos bien con agua limpia como, por ejemplo, agua del grifo y póngase en contacto con un médico inmediatamente.  
Si no se trata, el líquido podría causar problemas de visión.
2. Si el líquido de fuga entra en contacto con la piel o la ropa, lávela bien con agua limpia como, por ejemplo, agua del grifo inmediatamente.  
Podría producir irritación de la piel.
3. Si observa óxido, mal olor, recalentamiento, decoloración, deformación y/u otras irregularidades al utilizar la batería por primera vez, no la utilice y devuélvasela a su proveedor o distribuidor.

## SEGURIDAD — Continuación

### ⚠ ADVERTENCIA

Si un objeto extraño conductor de electricidad entra en los terminales de la batería de litio, podría producirse un cortocircuito, resultando en un riesgo de incendio. Por favor, respete los siguientes consejos cuando almacene la batería.

- No coloque cortes conductivos, clavos, cables de acero, cables de cobre u otros cables en la caja de almacenamiento.
- Instale el paquete de baterías en la herramienta eléctrica o almacénelo presionando la tapa de baterías hasta que se oculten los orificios de ventilación para evitar cortocircuitos.

### A PROPÓSITO DEL TRANSPORTE DE LA BATERÍA DE IONES DE LITIO

Al transportar una batería de iones de litio, tenga en cuenta las siguientes precauciones.

### ⚠ ADVERTENCIA

Notifique a la compañía de transporte que un paquete contiene una batería de iones de litio, informe a la compañía eléctrica de su potencia de salida y siga las instrucciones de la compañía de transporte al preparar su transporte.

- Las baterías de iones de litio que superen una potencia de salida de 100 Wh se considera que son materiales peligrosos en la Clasificación de Transporte y requieren procedimientos de aplicación especiales.

- Para el transporte en el extranjero, deberá cumplir con las leyes internacionales y las normas y regulaciones del país de destino.



### RESPONSABILIDADES DEL EMPRESARIO

1. Asegúrese de que este MANUAL esté al alcance de los operadores y del personal de mantenimiento.
2. Asegúrese de que el clavador se utilice solamente cuando el operador y demás personas que se encuentren en el área de trabajo estén utilizando GAFAS PROTECTORAS PARA LOS OJOS.
3. Recalque que el operador y las demás personas que se encuentren en el área de trabajo necesitan utilizar GAFAS PROTECTORAS PARA LOS OJOS.
4. Mantenga el clavador en un orden de funcionamiento seguro.
5. Mantenga adecuadamente el clavador.
6. Si un clavador necesita reparación, no lo utilice.

**¡GUARDE ESTAS INSTRUCCIONES  
 Y  
 PÓNGALAS A DISPOSICIÓN DE  
 OTROS USUARIOS  
 Y  
 PROPIETARIOS DE ESTA  
 HERRAMIENTA!**

# OPERACIÓN

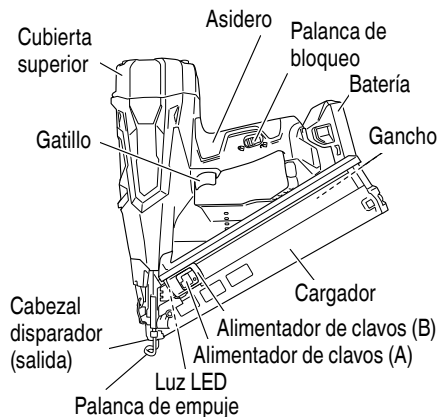
## NOTA

La información contenida en este manual ha sido diseñada para ayudarle a utilizar con seguridad este clavador.  
Algunas de las ilustraciones de este manual pueden mostrar detalles o accesorios diferentes a los de su propio clavador.

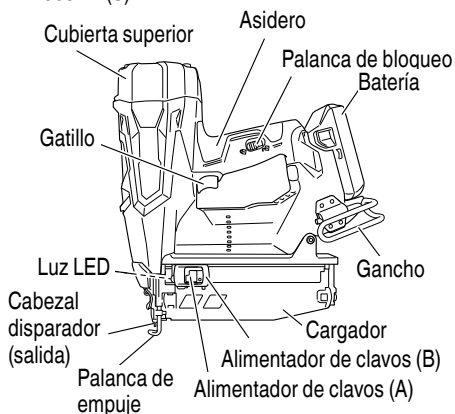
## NOMBRE DE LAS PIEZAS

### 1. Clavadora de acabados a batería

<NT1865DMA(S), NT1865DMA(Y)>



<NT1865DM(S)>



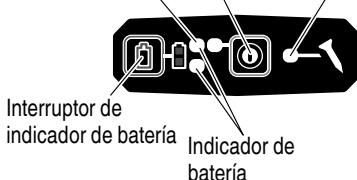
<NT1865DMA(S), NT1865DM(S)>

Indicador de alimentación, Interruptor de alimentación, Indicador de la operación de clavado

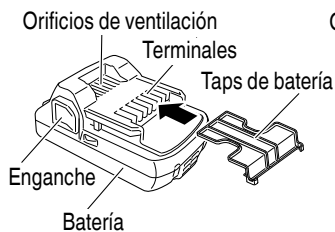


<NT1865DMA(Y)>

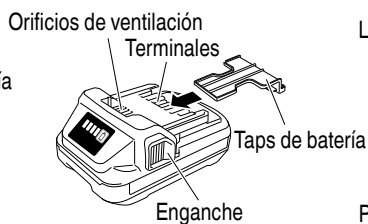
Indicador de alimentación, Interruptor de alimentación, Indicador de la operación de clavado



### 2. Batería

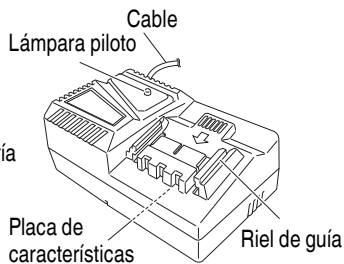


<BSL1830C>



<BSL1820M>

### 3. Cargador de la batería



<UC18YFSL>



## ESPECIFICACIONES

### 1. Clavadora de acabados a batería

Modelo	NT1865DMA(S)	NT1865DMA(Y)	NT1865DM(S)
Motor	DC sin escobillas		DC sin escobillas
Clavo aplicable	15 Ga		16 Ga
Longitud del clavo aplicable	De 1-1/4" a 2-1/2" (32 mm a 65 mm)		De 1" a 2-1/2" (de 25 mm a 65 mm)
Capacidad de carga de clavos [clavos]	100 (1 tira)		100 (2 tiras)
Modo de disparo	Totalmente secuencial/ Contacto (seleccionable)	Totalmente secuencial	Totalmente secuencial/ Contacto (seleccionable)
Velocidad del ciclo	[Clavos/ segundo]	3.0 (intermitente)	
Batería	Modelo	BSL1830C / BSL1820M	
	Tipo	Batería de ion litio	
	Voltaje	CC 18 V	
Peso	✘ Incluida batería	7.5 lb (3.4 kg)	7.3 lb (3.3 kg)
Dimensiones Alto x Largo x Ancho		13-1/2" x 12-5/32" x 4-1/2" (344 mm x 309 mm x 115 mm)	12-1/2" x 11-3/4" x 4-1/4" (315 mm x 298 mm x 108 mm)

### 2. Cargador de baterías

Modelo	UC18YFSL
Fuente de alimentación de entrada	Monofásica: 120 V CA, 60 Hz
Tiempo de carga (A una temperatura de 68°F (20°C))	BSL1830C: Approx. 45 min BSL1820M: Approx. 30 min
Tensión de carga	CC 14.4–18 V
Corriente de carga	CC 3.5 A
Peso	1.1 libras (0.5 kg)

**NOTA** El tiempo de carga pueda variar de acuerdo con la temperatura y la tensión de la fuente de alimentación.

**SELECCIÓN DE CLAVOS**

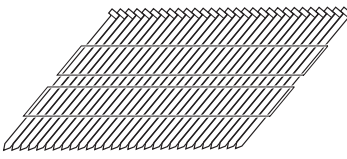
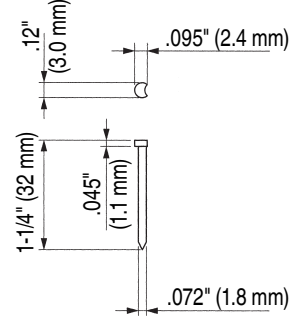
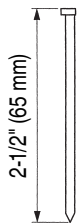
**⚠ ADVERTENCIA**

- Asegúrese de usar únicamente clavos legítimos metabo HPT para el NT1865DM(S), NT1865DMA(Y), el NT1865DMA(S). El uso de otros clavos puede producir un fallo de funcionamiento de la herramienta y/o la rotura del clavo, lo que provocaría a su vez lesiones de gravedad.

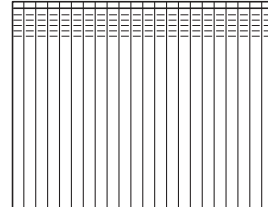
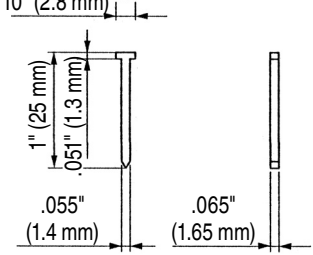

Con este clavador solamente podrán utilizarse los clavos indicados en la tabla siguiente.

**Dimensiones de los clavos**

**<NT1865DMA(S), NT1865DMA(Y)>**

	Min.	Max.
<p>Clavos de acabado de calibre 15 (Ángulo: 34°)</p> 		

**<NT1865DM(S)>**

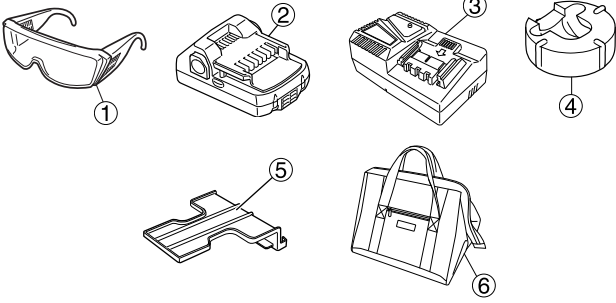
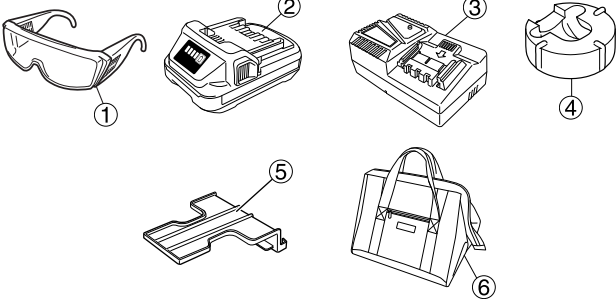
	Min.	Max.
<p>Clavos de acabado de calibre 16 (Recto)</p> 		

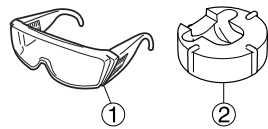
## ACCESORIOS

### ⚠ PELIGRO

- Los accesorios que no sean los mostrados a continuación pueden provocar el mal funcionamiento del clavador y resultar en lesiones.

## ACCESORIOS ESTÁNDAR

NT1865DM(S) NT1865DMA(S) (LSRK)	 <p>           ① Gafas protectoras ..... 1            ② Batería (BSL1830C) ..... 1            ③ Cargador de la batería (UC18YFSL) ..... 1            ④ Tapa para el morro (montada en la herramienta) ..... 1            ⑤ Taps de batería (Nº de código 329897) ..... 1            ⑥ Bolsa de herramientas ..... 1         </p>
NT1865DM(S) NT1865DMA(S) NT1865DMA(Y) (BA)	 <p>           ① Gafas protectoras ..... 1            ② Batería (BSL1820M) ..... 1            ③ Cargador de la batería (UC18YFSL) ..... 1            ④ Tapa para el morro (montada en la herramienta) ..... 1            ⑤ Taps de batería (Nº de código 329897) ..... 1            ⑥ Bolsa de herramientas ..... 1         </p>

<p>NT1865DM(S) NT1865DMA(S) (NN)</p>	 <p>① Gafas protectoras ..... 1 ② Tapa para el morro (montada en la herramienta) ..... 1</p>
--	---

**ACCESORIOS OPCIONALES**

vendido aparte

- BATERÍA (BSL1830C / BSL1820M)

**NOTA**

Los accesorios están sujetos a cambios sin ninguna obligación por parte de metabo HPT.

**APLICACIONES**

<NT1865DMA(S), NT1865DMA(Y), NT1865DM(S)>

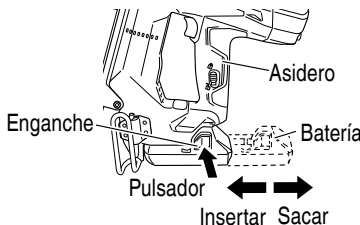
- El clavado como proceso de terminación en áreas periféricas de puertas, ventanas y también para el rebordeado.
- Reforzar el fondo de cajones. Construcción de distintos tipos de cajas y armarios.

**MÉTODO DE EXTRACCIÓN E INSTALACIÓN DE LA BATERÍA**

**⚠ PRECAUCIÓN**

- **Asegúrese de mantener los dedos alejados del gatillo y la palanca de empuje lejos de la madera.**

- Forma de instalar la batería  
Alinee la batería con la ranura de la empuñadura de la herramienta y deslicela en su lugar. Insértela siempre completamente hasta que se encuentre cerca.
- Forma de extraer la batería  
Extraiga la batería de la empuñadura de la herramienta mientras presiona el enganche (2 pzas.) de la batería.



**MÉTODO DE CARGA**

**NOTA**

Antes de enchufar el cargador en un tomacorriente, tenga en cuenta los puntos siguientes.

- La tensión de la fuente de alimentación está indicada en la placa de características.
- El cable no deberá estar dañado.

**⚠ ADVERTENCIA**

**No cargue con una tensión superior a la indicada en la placa de características.**

**Si cargase con una tensión superior a la indicada en la placa de características, el cargador se quemaría.**

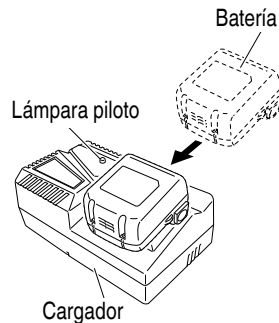
1. Enchufe el cable de alimentación del cargador a un tomacorriente de CA. Cuando haya conectado el enchufe del cargador a una toma de la red, la lámpara piloto se encenderá en rojo. (A intervalos de 1 segundo)



**⚠ ADVERTENCIA**

**No utilice el cargador si su cable está dañado. Haga que se lo reparen inmediatamente.**

2. Inserte la batería en el cargador de baterías. Inserte la batería en el cargador de baterías como se muestra en la figura.



## 3. Carga

Cuando inserte la batería en el cargador de baterías, se iniciará la carga, y la lámpara piloto se encenderá en rojo. (Consulte la Tabla 2)

## (1) Indicaciones de la lámpara piloto






Las indicaciones de la lámpara piloto mostradas en la Tabla 2, se producirán de acuerdo con la condición del cargador o de la batería.

**NOTA**

Si la lámpara piloto parpadea en rojo, desconecte el enchufe del tomacorriente y compruebe si la batería está correctamente insertada.

Cuando la batería se haya cargado completamente, la lámpara parpadeará lentamente en rojo. (A intervalos de 1 segundo) (Consulte la Tabla 2)

Table 2

Indicaciones de la lámpara indicadora			
Lámpara piloto (rojo)	Antes de la carga	Parpadeo	Se encenderá durante 0.5 segundos. No se encenderá durante 0.5 segundos. (Apagada durante 0.5 segundos) 
	Durante la carga	Iluminación	Iluminación permanente 
	Carga completa	Parpadeo	Se encenderá durante 0.5 segundos. No se encenderá durante 0.5 segundos. (Apagada durante 0.5 segundos) 
	Espera por recalentamiento	Parpadeo	Se encenderá durante 1 segundo. No se encenderá durante 0.5 segundos. (Apagada durante 0.5 segundos) 
	Carga imposible	Destello	Se encenderá durante 0.1 segundos. No se encenderá durante 0.1 segundos. (Apagada durante 0.1 segundos) 
			Batería recalentada. No puede cargarse (la carga comenzará cuando la batería se enfríe)
			Mal funcionamiento de la batería o del cargador

## (2) Temperatura de la batería

La temperatura de la batería recargable se muestra en la Tabla 3 y, si la batería se ha calentado, habrá que dejar que se enfríe durante cierto tiempo antes de recargarla.

Tabla 3 Márgenes de carga de las baterías

Batería recargable recharg	Temperatura a la que podrá recargarse la batería
BSL1830C	32°F-122°F
BSL1820M	(0°C-50°C)

## (3) Tiempo de carga (A 68°F (20°C))

Tabla 4 Tiempo de carga

Batería \ Cargador	UC18YFSL
BSL1830C	Aprox. 45 min
BSL1820M	Aprox. 30 min

**NOTA**

El tiempo de carga pueda variar de acuerdo con la temperatura y la tensión de la fuente de alimentación.

- Desconecte el cargador de baterías del tomacorriente.

### ⚠ PRECAUCIÓN

**No desconecte el cable del tomacorriente tirando del mismo.**

**Cerchiórese de tirar del enchufe para desconectarlo del tomacorriente a fin de evitar dañar el cable.**

- Extraiga la batería del cargador de baterías. Sujutando el cargador de baterías con una mano, extraiga la batería del mismo.

### Forma de hacer que las baterías duren más

- Recargue las baterías antes de que se hayan agotado completamente. Si siente que la potencia de la herramienta eléctrica se debilita, deje de utilizarla y recargue su batería. Si continuase utilizando la herramienta hasta agotar la capacidad de la batería, ésta podría dañarse y su duración útil podría acortarse.
- Evite realizar la recarga a altas temperaturas. Una batería se calentará inmediatamente después de haberla utilizado. Si recargase tal batería inmediatamente después de haberla utilizado, su substancia química interna se deterioraría, y la duración útil de la batería se acortaría. Deje la batería y recárguela después de que se haya enfriado durante cierto tiempo.

### ⚠ PRECAUCIÓN

- Si utiliza continuamente el cargador de baterías, éste se calentará, lo que puede causar averías. Después de haber finalizado la carga, espere 15 minutos antes de realizar la carga siguiente.
- Si carga la batería mientras esté caliente por haber estado mucho tiempo en un lugar sometido a la luz solar directa, o por haber acabado de utilizarla, la lámpara de piloto del cargador parpadea durante 1 segundo y no se enciende durante 0.5 segundos (apagada durante 0.5 segundos). En tales casos, deje primero que se enfríe la batería e inicie luego la carga.
- Cuando la lámpara piloto parpadee rápidamente en rojo (a intervalos de 0.2 segundos), compruebe y elimine los objetos extraños que haya en el orificio de instalación del cargador de baterías. Si no hay objetos extraños, es probable que la batería o que el cargador de baterías esté funcionando mal. Llévelos a un centro de reparaciones autorizado.

## ANTES DE LA OPERACIÓN

Lea la sección titulada “SEGURIDAD” (páginas 63–71).

Antes de la utilización, cerciórese de lo siguiente.

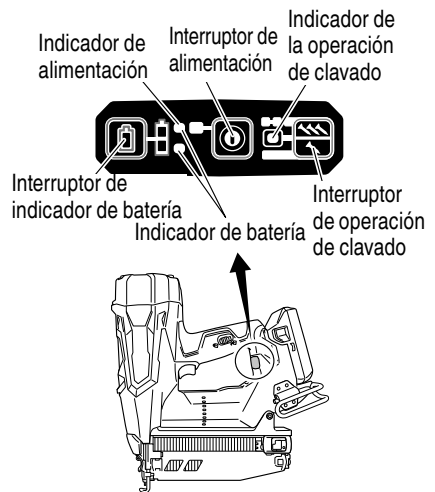
### PREPARACIÓN DE LA BATERÍA

Consulte la sección “SEGURIDAD, INSTRUCCIONES IMPORTANTES DE SEGURIDAD PARA EL CARGADOR DE BATERÍAS” (página 68).

Deberá cargar la batería antes de utilizarla.

En la página 76–78 se indica cómo cargarla.

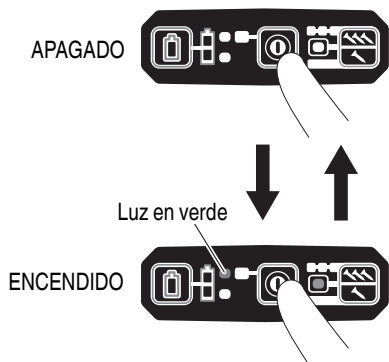
## CÓMO OPERAR EL PANEL DE OPERACIONES



- Interruptor de alimentación ENCENDIDO  
Bajo la condición de “Interruptor de alimentación APAGADO”, mantenga presionado el interruptor de alimentación más de un segundo y el indicador de alimentación se iluminará en verde.

### NOTA

- No presione la palanca de empuje y/o pulse el gatillo durante el proceso de encender la herramienta. Hacerlo impedirá que la herramienta se encienda.



## (2) Interruptor de alimentación APAGADO

Bajo la condición de "Interruptor de alimentación ENCENDIDO", mantenga presionado el interruptor de alimentación durante más de un segundo y el indicador de alimentación se apagará.

Bajo la condición de "Interruptor de alimentación ENCENDIDO", las siguientes funciones estarán activas.

## (3) Selección del modo de operación de clavado

(Actuación totalmente secuencial/Actuación por contacto)

Luego de colocar el interruptor de alimentación en ENCENDIDO, siempre se establece el modo de accionamiento en totalmente secuencial, al igual que de forma inicial. (Indicador de operación de clavado iluminado en azul).



Para cambiar el modo de operación de clavado, pulse una vez el interruptor de operación de clavado. Con cada pulsación, el modo cambiará entre "Totalmente secuencial" y "Contacto".

Iluminación (azul):

**MECANISMO DE ACTUACIÓN COMPLETAMENTE SECUENCIAL**

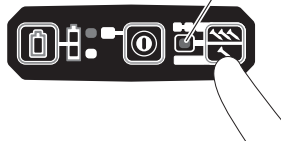
Parpadeando (azul):

**MECANISMO DE ACTUACIÓN POR CONTACTO**

**NOTA**

- NT1865DMA(Y) solo está equipado para el modo de mecanismo de actuación completamente secuencial y no se puede cambiar al modo de operación de clavado.

Parpadeando en azul



## (4) Comprobar el nivel de batería restante

Al presionar el interruptor indicador de batería, el indicador de batería muestra el nivel de batería restante mediante el estado de la lámpara LED, como se muestra más abajo.

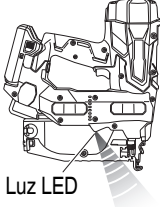

Estado del indicador	
<p>2 LED (rojo) se iluminan</p>	La alimentación restante en la batería es suficiente.
<p>1 LED (rojo) se ilumina</p>	La alimentación restante en la batería es aproximadamente la mitad.
<p>1 LED (rojo) parpadea</p>	La alimentación restante en la batería está casi agotada. Cargue la batería a la mayor brevedad posible.

**NOTA**

Hay situaciones en las que este producto no funcionará cuando se enciendan dos LED en el indicador de batería restante de la batería.

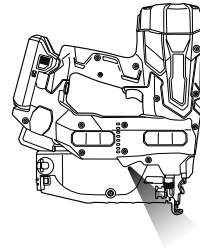
Esto no es un mal funcionamiento, sino una función de control que es específica de este producto. La herramienta funcionará cuando se recargue la batería.

- (5) Otras funciones  
En caso de un error de operación, las lámparas LED se iluminan de la forma siguiente.

Estado del indicador	
 <p>Luz LED</p> <p>Luz LED parpadea en un intervalo.</p> <ul style="list-style-type: none"> <li>• En caso de condición demasiado caliente, Parpadea en un intervalo de 1 segundo.</li> <li>• En caso de condición demasiado fría, Parpadea en un intervalo de 0.5 segundos.</li> </ul> <p>Después de 10 segundos, se apaga automáticamente la luz LED y el interruptor de alimentación.</p>	<p>La máquina está demasiado fría (por debajo de 23°F (-5°C)) o demasiado caliente. Espere a que la clavadora se enfríe o entre en calor en el estado correcto.</p>
 <p>2 LED parpadean en naranja, luego de 10 segundos, el interruptor de alimentación se apaga automáticamente.</p>	<p>Contáctese con metabo HPT para su inspección.</p>

- (6) Uso de la luz LED  
Cuando el interruptor de alimentación está encendido, la luz LED iluminará automáticamente la parte de la punta de la herramienta.

Luz en verde



**⚠ PRECAUCIÓN**

- **No exponga los ojos directamente a la luz; evite mirar hacia ella directamente.**  
**Si los ojos están expuestos de manera continua a la luz, pueden resultar lesionados.**
- **Limpie cualquier resto de polvo o suciedad enganchado al objetivo de la luz LED con un paño suave, procurando no rayar la lente.**  
**Los arañazos en la lente de la luz LED pueden resultar en una reducción de brillo.**

- (7) Indicador de batería restante  
Puede comprobar la capacidad restante de la batería presionando el interruptor del indicador de batería restante para encender la lámpara indicadora. (Tabla 5)

El indicador se apaga aproximadamente 3 segundos después de pulsar el interruptor del indicador de batería restante.

Se recomienda utilizar el indicador de batería restante como guía dado que hay ligeras diferencias tales como la temperatura ambiente y el estado de la batería.

Asimismo, el indicador de batería restante podría variar de aquellos equipados en la herramienta o en el cargador.



Lámpara  
indicadora de  
batería restante

Interruptor del  
indicador de  
batería restante

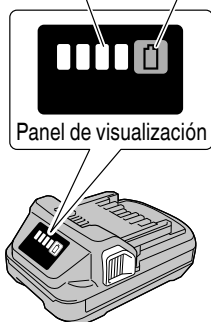


Tabla 5

Estado de la lámpara	Carga de batería restante
	Se enciende; La carga restante de la batería se encuentra por encima del 75%.
	Se enciende; La carga restante de la batería es del 50%–75%.
	Se enciende; La carga restante de la batería es del 25%–50%.
	Se enciende; La carga restante de la batería es menos del 25%.
	Parpadea; La carga restante de la batería está prácticamente agotada. Cargue la batería lo antes posible.
	Parpadea; La salida se suspendió debido a una alta temperatura. Extraiga la batería de la herramienta y deje que se enfríe.
	Parpadea; Salida suspendida debido a un fallo o mal funcionamiento. El problema puede estar relacionado con la batería, contáctese con su distribuidor.

Dado que el indicador de batería restante muestra resultados ligeramente diferentes según la temperatura ambiental y las características de la batería, utilice su lectura como referencia.

**NOTA**

Tenga cuidado de no dar sacudidas fuertes al panel de la pantalla o romperlo. Pueden producirse problemas.


**PRUEBA DEL CLAVADOR****⚠ PELIGRO**



- Los operadores y demás personas que se encuentren en el área de trabajo **DEBEN** usar gafas protectoras con blindajes laterales que cumplan con las especificaciones ANSI Z87.1.

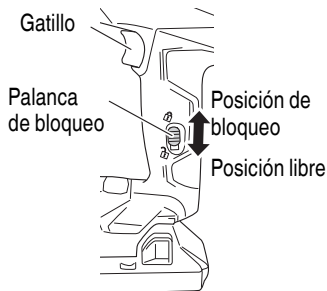
**⚠ ADVERTENCIA**

- **Asegúrese de que el gatillo está bloqueado cuando no esté clavando clavos.**

Esta clavadora tiene un mecanismo de bloqueo para evitar que los clavos se disparen.

Coloque la palanca de bloqueo en la posición  para bloquear el gatillo.

Deslice la palanca de bloqueo hasta la posición  cuando la clavadora vaya a usarse, y en la posición  cuando no se esté usando.



- **No utilice nunca el clavador a menos que la palanca de empuje funcione adecuadamente. Esta máquina emplea un mecanismo para evitar que se utilice sin estar cargada.**

Así, este mecanismo impide accionar la palanca de empuje. Este mecanismo se activa si el almacén no está cargado con clavos o cuando el número de clavos es inferior a 6 ó 9.

**⚠ PRECAUCIÓN**

- **Tenga cuidado de no golpear la punta de la palanca de empuje contra la madera.**

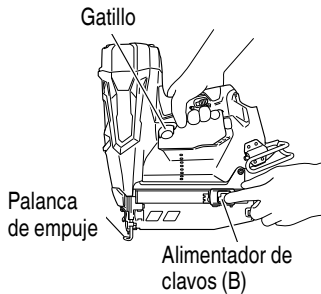
Antes de comenzar el trabajo, pruebe el clavador utilizando la lista de comprobaciones siguiente. Realice las comprobaciones en el orden indicado.

Si se produce alguna operación anormal, deje de utilizar el clavador y póngase inmediatamente en contacto con un centro de reparaciones autorizado por metabo HPT.

- (1) **RETIRE LOS CLAVOS Y LA BATERÍA DE LA CLAVADORA.**

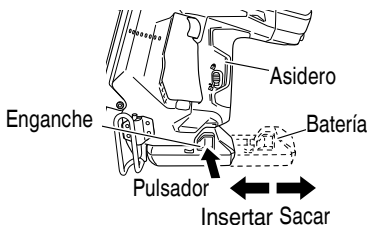
**TODOS LOS TORNILLOS DEBERÁN ESTAR APRETADOS.**

**LA PALANCA DE EMPUJE Y EL GATILLO DEBEN MOVERSE SUAVEMENTE** al accionar el alimentador de clavos (B). no es necesario volver a poner el alimentador de clavos)

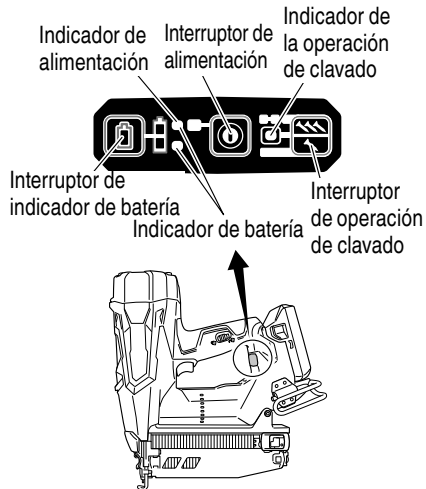


- (2) **Instalación de la batería.**

No accione la palanca de empuje ni el gatillo al instalar la batería.



- (3) **Active el interruptor de energía.**



Encienda el interruptor de alimentación manteniéndolo presionado durante más de un segundo.

Asegúrese de que el indicador de alimentación parpadea en verde y el indicador de la operación de clavado está iluminado en azul. (MECANISMO DE ACTUACIÓN COMPLETAMENTE SECUENCIAL)

**NOTA**

- No presione la palanca de empuje o pulse el gatillo durante el proceso de encender la herramienta. Hacerlo impedirá que la herramienta se encienda.



**[Apagado automático]**

Quando la alimentación está activada pero la clavadora no se usa por 30 minutos, la clavadora se apaga automáticamente. Para encenderla de nuevo, presione el interruptor de alimentación.

**⚠ ADVERTENCIA**

Nunca deje la clavadora con la alimentación activada. Esto podría resultar en un accidente.

Indicador de operación de clavado

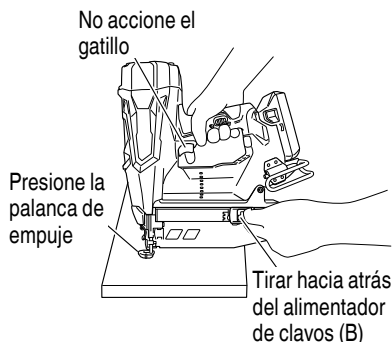
- Iluminación (azul):  
MECANISMO DE ACTUACIÓN  
COMPLETAMENTE SECUENCIAL
- Parpadeando (azul):  
MECANISMO DE ACTUACIÓN POR CONTACTO  
(NT1865DMA(Y) excluido)

Asegúrese de que el indicador de batería no está parpadeando.

Si el indicador de batería está parpadeando en rojo, la batería no tiene alimentación suficiente y debe ser cargada.

- (4) Retire el dedo del gatillo y pulse la palanca de empuje contra la pieza de trabajo, al tiempo que tira hacia atrás del alimentador de clavos (B).

EL CLAVADOR NO DEBERÁ FUNCIONAR.

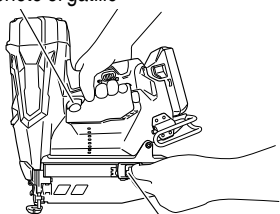


- (5) Retire el dedo del gatillo y presione la palanca de empuje contra la pieza de trabajo.

Seguidamente, dirija el clavador hacia abajo, tire hacia atrás el alimentador de clavos (B), tire del gatillo y espere en esa posición durante 5 segundos o más.

EL CLAVADOR NO DEBERÁ FUNCIONAR.

Apriete el gatillo



Tirar hacia atrás del  
alimentador de clavos (B)

- (6) ① Sin tocar el gatillo, presione la palanca de empuje contra la pieza de trabajo mientras tira hacia atrás el alimentador de clavos (B). Luego, tire del gatillo.

EL CLAVADOR DEBERÁ FUNCIONAR.

- ② Mantenga apretado el gatillo y presione nuevamente la palanca retráctil sobre la pieza de trabajo.

EL CLAVADOR NO DEBERÁ FUNCIONAR.

- ③ Retire los dedos del gatillo. A continuación, opere ① nuevamente.

LA CLAVADORA DEBERÁ FUNCIONAR.

- (7) Separe la palanca retráctil de la pieza de trabajo, apriete el gatillo.

Presione nuevamente la palanca retráctil sobre la pieza de trabajo en un lapso de 2 segundos.

EL CLAVADOR NO DEBERÁ FUNCIONAR.

- (8) Ajuste el indicador de operación de clavado en el modo ENCENDIDO parpadeante. (MECANISMO DE ACTUACIÓN POR CONTACTO) (NT1865DMA(Y) excluido)

Presione una vez el interruptor de operación de clavado, y asegúrese de que el indicador parpadea en azul.

Parpadeando en azul



Separe la palanca retráctil de la pieza de trabajo, apriete el gatillo.

Presione nuevamente la palanca retráctil sobre la pieza de trabajo en un lapso de 2 segundos.

EL CLAVADOR DEBERÁ FUNCIONAR.

- (9) Si no observa nada anormal, cargue clavos en el clavador.

Clave en la pieza de trabajo los mismos clavos que vaya a utilizar en la aplicación real.

EL CLAVADOR DEBERÁ FUNCIONAR ADECUADAMENTE.

## CARGA DE CLAVOS

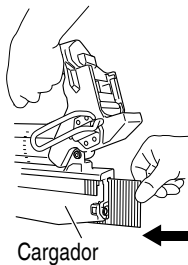
## ⚠ ADVERTENCIA

- Cuando cargue los clavos en el clavador,
  - 1) Remueva la batería de la clavadora;
  - 2) no tire del gatillo;
  - 3) no apriete la palanca de empuje; y
  - 4) mantenga el clavador apuntando hacia abajo.

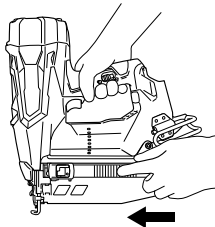
<NT1865DMA(S), NT1865DMA(Y), NT1865DM(S)>

## 2 Acción de alimentación de clavos!

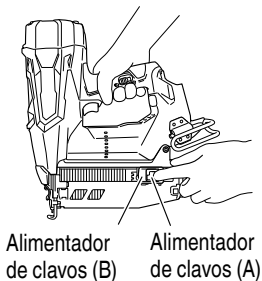
- (1) Inserte la tira de clavos en la parte trasera del cargador.



- (2) Deslice la tira de clavos hacia el cargador.



- (3) Empuje el alimentador de clavos (A) para acoplar el alimentador de clavos (B) en la ristra de clavos.



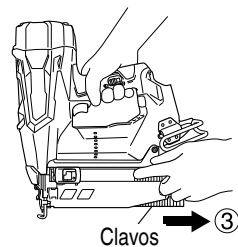
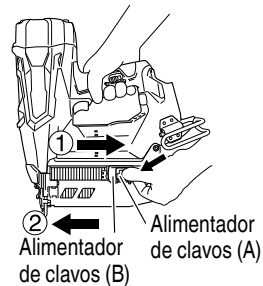
## NOTA

- Empuje con cuidado el alimentador de clavos (A) y el alimentador de clavos (B) contra el clavo. Si el alimentador de clavos (A) y el alimentador de clavos (B) salen hacia atrás del almacén y chocan contra el clavo, se puede dañar el adhesivo del clavo.
- Utilice una ristra de clavos que tenga más de 10 clavos.
- Utilice una correa de clavos que no esté rota y que tenga clavos de la misma longitud.

El clavador habrá quedado listo para funcionar.

Extraiga los clavos:

- ① Tire del alimentador de clavos (B) hacia atrás.
- ② Vuelva a echar hacia delante el alimentador de clavos (B) con cuidado al tiempo que empuja el alimentador de clavos (A).
- ③ Retire los clavos del fondo del almacén.



## OPERACIÓN DEL CLAVADOR

Lea la sección titulada "SEGURIDAD" (páginas 63–71).

### ⚠ PELIGRO



- Los operadores y demás personas que se encuentren en el área de trabajo **DEBEN** usar gafas protectoras con blindajes laterales que cumplan con las especificaciones ANSI Z87.1.

### ⚠ ADVERTENCIA



- No dirija **NUNCA** la herramienta hacia sí mismo o hacia otras personas del área de trabajo.
- Para evitar un disparo accidental, mantenga los dedos **ALEJADOS** del gatillo disparador cuando no se esté usando la herramienta.
- No utilice el cable eléctrico si está dañado. Hágalo reparar de inmediato.
- Es importante la elección de método de activación. Por favor lea y comprenda el "MÉTODOS DE OPERACIÓN" de abajo.
- Antes de empezar a trabajar, verifique el dispositivo de conmutación para la operación de clavado. Este clavador metabo HPT incluye un dispositivo de conmutación para la operación de clavado. Antes de empezar a trabajar, verifique el ajuste del dispositivo de conmutación para la operación de clavado. Si el dispositivo de conmutación para la operación de clavado no está debidamente ajustado, el clavador no funcionará correctamente.
- No acerque su cara, manos ni pies a la cabeza de disparo durante el uso.
- No clave un clavo sobre otro, ni con el clavador con un ángulo demasiado agudo, ya que los clavos podrían rebotar y herir a alguien.
- No clave clavos en paneles finos ni cerca de esquinas ni bordes de la pieza de trabajo. Los clavos podrían traspasar la pieza de trabajo y lesionar a alguien.

- No clave nunca clavos desde ambos lados de una pared al mismo tiempo. Los clavos podrían traspasar la pared y lesionar a la persona de la otra parte.
- No utilice nunca un clavador defectuoso o que funcione anormalmente.
- No utilice el clavador a modo de martillo normal.
- Quite todos los sujetadores restantes y la batería de la clavadora cuando:
  - 1) realizando mantenimiento e inspección;
  - 2) verificando la operación correcta de la palanca retráctil y del gatillo;
  - 3) fija o quita la tapa de la nariz;
  - 4) limpiando un atasco
  - 5) no vaya a utilizarlo,
  - 6) vaya a abandonar el área de trabajo,
  - 7) vaya a trasladarse a otro lugar, y
  - 8) vaya a entregárselo a otra persona.
- Extraiga la batería del clavador cuando:
  - 1) cargando los clavos;
  - 2) gire del ajustador.

Este clavador metabo HPT está equipado con un dispositivo de conmutación para la operación de clavado. Utilice el MECANISMO DE ACTUACIÓN COMPLETAMENTE SECUENCIAL o el MECANISMO DE ACTUACIÓN POR CONTACTO de acuerdo con la tarea que se va a realizar.

- Explicación sobre las diversas operaciones de clavado
- MECANISMO DE ACTUACIÓN COMPLETAMENTE SECUENCIAL:
 

En primer lugar, presione la palanca de empuje contra la madera; a continuación, pulse el gatillo para clavar el clavo.

Siga la misma secuencia para seguir clavando clavos.

Tras clavar una vez, no será posible volver a clavar hasta retirar el dedo del disparador y levantar completamente la herramienta de la superficie de madera.
  - MECANISMO DE ACTUACIÓN POR CONTACTO:
    1. Apriete el gatillo.
    2. Presione la palanca de empuje contra la madera para clavar un clavo.
    3. Si mantiene el gatillo en dicha posición, se clavará un clavo cada vez que presione la palanca de empuje contra la madera.

Esta NT1865DMA(S), NT1865DMA(Y), NT1865DM(S) emplea un mecanismo para evitar que se utilice sin estar cargada.

Así, este NT1865DMA(S), NT1865DMA(Y), NT1865DM(S) impide accionar la palanca de empuje. Este mecanismo se activa si el almacén no está cargado con clavos o cuando el número de clavos es inferior a 6 ó 9.

### ⚠ PRECAUCIÓN

- **Tenga cuidado de no empujar la punta de la palanca de empuje contra la madera cuando la palanca esté bloqueada.**

## MÉTODOS DE OPERACIÓN

Este clavador está equipado con una palanca de empuje, y no funcionará a menos que ésta esté presionada.

Existen dos métodos de operación para clavar clavos con este clavador.

Estos métodos son:

1. Operación intermitente (Disparo con el gatillo):
2. Operación continua (Disparo con la palanca de empuje):

- (1) Operación intermitente (Disparo con el gatillo)  
 Utilice el ajuste del MECANISMO DE ACTUACIÓN COMPLETAMENTE SECUENCIAL.

### ⚠ ADVERTENCIA

- **Para una operación intermitente, coloque el interruptor de operación de clavado en MECANISMO DE ACTUACIÓN COMPLETAMENTE SECUENCIAL (el indicador de operación de clavado está iluminado en azul). (Es decir, ajuste a MECANISMO DE ACTUACIÓN SIMPLE.)**

- **Para evitar el doble disparo o el disparo accidental debido a la reculada.**

- 1) Ajuste al MECANISMO DE ACTUACIÓN COMPLETAMENTE SECUENCIAL.
- 2) Jale el gatillo rápida y firmemente.

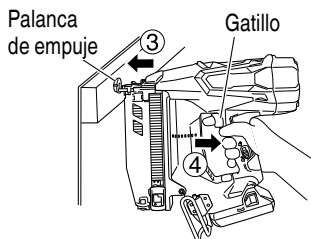
- ① Ajuste el interruptor de operación de clavado en MECANISMO DE ACTUACIÓN COMPLETAMENTE SECUENCIAL (el indicador de operación de clavado está iluminado en azul).
- ② Coloque la salida de los clavos sobre la pieza de trabajo con el dedo fuera del gatillo.
- ③ Presione a fondo la palanca de empuje.
- ④ Apriete el gatillo para clavar el clavo.
- ⑤ Quite el dedo del gatillo y levante completamente el dispositivo de la superficie de la madera.

Para continuar clavando en un lugar separado, mueva el clavador a lo largo de la madera, repitiendo los pasos ② – ⑤, según se requiera.

## NOTA

Las operaciones ③ y ④ deben realizarse con una diferencia máxima de dos segundos. Si pasan más de dos segundos después de ③, la clavadora no operará correctamente. Si esto ocurre, inténtelo de nuevo desde el paso ③.

Indicador de operación de la clavadora (Iluminado en azul)      Llave de operación de la clavadora



- (2) Operación continua (Disparo con la palanca de empuje)  
 Utilización del MECANISMO DE ACTUACIÓN POR CONTACTO  
 (NT1865DMA(Y) excluido)

### ⚠ ADVERTENCIA

- **Para evitar el doble disparo o el disparo accidental debido a la reculada.**

- 1) **No presione el clavador contra la madera con una fuerza excesiva.**
- 2) **Retire el clavador de la madera después de efectuar el clavado.**

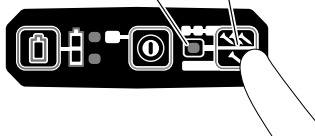
- ① Coloque el interruptor de operación de clavado en MECANISMO DE ACTUACIÓN POR CONTACTO (el indicador de operación de clavado parpadea en azul).
- ② Apriete el gatillo con el clavador fuera de la pieza de trabajo.
- ③ Presione la palanca de empuje contra la pieza de trabajo para clavar una punta.
- ④ Desplace el clavador por la pieza de trabajo con un movimiento de rebote.  
 Con cada presión de la palanca de empuje se clavará un clavo.

Después de haber clavado los clavos necesarios, separe el dedo del gatillo.

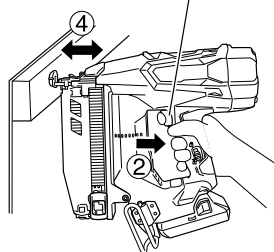
**NOTA**

Las operaciones ② y ③ deben realizarse con una diferencia máxima de dos segundos. Si pasan más de dos segundos después de ②, la clavadora no operará correctamente. Si esto ocurre, inténtelo de nuevo desde el paso ②.

Indicador de operación de la clavadora (Parpadea en azul)      Llave de operación de la clavadora



Apriete primero el gatillo



**⚠ ADVERTENCIA**

- Mantenga el dedo separado del gatillo excepto durante la operación de clavado, porque esto podría resultar en lesiones de gravedad si la palanca de empuje entrase accidentalmente en contacto con su cuerpo o con el de otras personas del área de trabajo.
- Mantenga las manos y el cuerpo alejados del área de descarga. Este clavador metabo HPT podría rebotar por la reculada producida al meter un clavo, y producir la introducción no intencional del siguiente clavo, con el riesgo de sufrir lesiones.

**NOTA**

- Si se respetan todas las advertencias y precauciones, se podrá realizar una operación segura con los dos sistemas: MECANISMO DE ACTUACIÓN COMPLETAMENTE SECUENCIAL, MECANISMO DE ACTUACIÓN POR CONTACTO. Para NT1865DMA(Y), el producto solo presenta el MECANISMO DE ACTUACIÓN COMPLETAMENTE SECUENCIAL.
- Siempre trate el paquete y los clavos con cuidado. Si dejara caer los clavos, se podría quebrar el adhesivo protector, lo cual provocaría a su vez errores de alimentación y atascos.

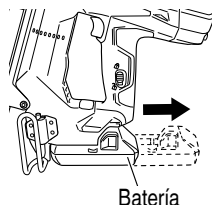
- Después de haber clavado los clavos:
  - 1) extraiga la batería del clavador;
  - 2) extraiga todos los clavos del clavador;

## AJUSTE DE LA PROFUNDIDAD DE CLAVADO

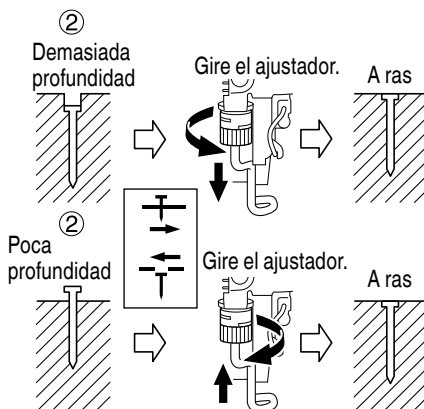
Para asegurarse de que todos los clavos penetran a la misma profundidad, asegúrese de sujetar la Clavadora firmemente contra la pieza de trabajo.

Si los clavos se disparan a demasiada profundidad o quedan en la superficie, ajuste el disparo como sigue.

- ① Retire la pila de la clavadora.



- ② Si los clavos penetran demasiado, gire el ajustador hacia la parte de menor profundidad. El ajuste se realiza en incrementos de media vuelta.



El ajuste se insertan demasiado poco, gire el regulador hacia la parte de mayor profundidad.

- ③ Deje de girar el ajustador cuando alcance la posición apropiada realizando una prueba de clavado.
- ④ Inserte la pila en la clavadora. UTILICE SIEMPRE GAFAS DE SEGURIDAD. Realice una prueba.
- ⑤ Retire la pila de la clavadora.
- ⑥ Seleccione una posición adecuada para el ajuste.

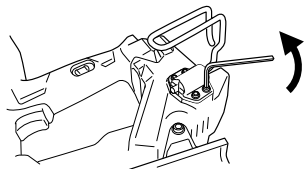
## USO DEL GANCHO

**⚠ ADVERTENCIA**

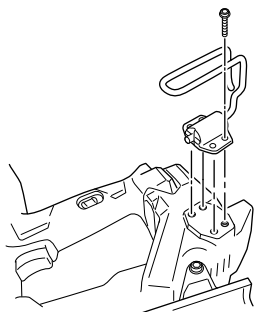
- Cuando use el gancho, apague el interruptor de energía (luz verde "OFF") preste mucha atención de modo que el equipo principal no se caiga.  
Si se cae la herramienta, existe riesgo de accidente.

El gancho puede instalarse a la izquierda o derecha. (NT1865DMA(S) excluido)

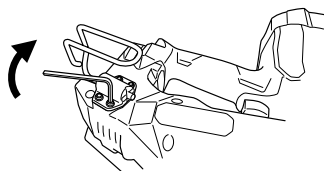
- (1) Fije la unidad principal de forma segura y quite el tornillo con una llave allen.



- (2) Saque el gancho y la placa de gancho.



- (3) Instale el gancho en el otro lateral y asegure firmemente con el tornillo.

**NOTA**

El gancho puede ser usado como colgador.

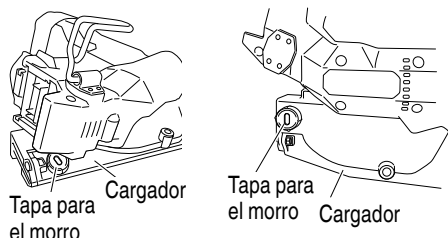
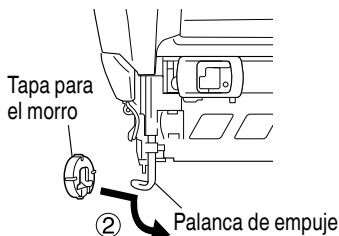
## UTILIZACIÓN DE LA TAPA PARA EL MORRO

**⚠ ADVERTENCIA**

- Al acoplar o desacoplar la tapa para el morro, asegúrese de quitar el dedo del gatillo y remover los sujetadores restantes y la batería de la clavadora.

Si desea proteger la superficie de la pieza de trabajo contra rascaduras o marcas de la palanca de empuje, instale la tapa para el morro accesoria en dicha palanca.

- ① Remueva todos los sujetadores restantes y la batería de la clavadora.
- ② Coloque la tapa para el morro en el talón de la palanca de empuje.
- ③ La tapa para el morro está marcada para indicar el punto de salida de la clavo, facilitando así la alineación.
- ④ Si no se utiliza la tapa de la nariz, asegúrela en el compartimiento provisto en el lado trasero del cargador.



NT1865DMA(S), NT1865DMA(Y)

NT1865DM(S)

**NOTA**

- La tapa para el morro puede reducir la profundidad de penetración de los clavos debido a su grosor. Cuando haya instalado la tapa, reajuste la profundidad de penetración de los clavos.



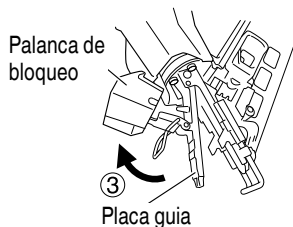
## EN CASO DE ATASCO

Si los clavos se atascan en el cabezal de disparo, ajuste el disparo en el orden siguiente.

### ⚠ PRECAUCIÓN

#### ● Retire la pila de la clavadora.

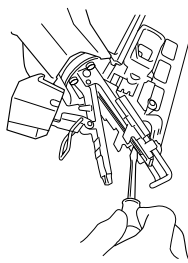
- ① Retire la pila de la clavadora.
- ② Extraiga todos los clavos.
- ③ Suelte la palanca de bloqueo y abra la placa de guía.



- ④ Extraiga el clavo atascado con un destornillador de clavo plana.

### ⚠ PRECAUCIÓN

- NUNCA golpee la hoja del motor.
- NUNCA apunte con la herramienta hacia usted mismo o a otra persona, para evitar riesgos de lesión física por un disparo inadecuado. Hasta si la batería se remueve de la clavadora, hay energía de aire comprimido restante en su interior.



- ⑤ Cierre la placa de guía y el enganche.

### NOTA

- En caso de atasco frecuente, póngase en contacto con un centro de servicio autorizado por metabo HPT.

## MANTENIMIENTO

### NOTA

La información contenida en este manual ha sido diseñada para ayudarle a mantener con seguridad este clavador.

Algunas ilustraciones de este manual pueden mostrar detalles o dispositivos diferentes a los de su propio clavador.

## MANTENIMIENTO E INSPECCIÓN

<Clavadora>

Lea la sección titulada "SEGURIDAD" (páginas 63–71).

### ⚠ ADVERTENCIA

- Remueva la batería y todos los sujetadores restantes de la clavadora cuando:
  - 1) realizar trabajos de mantenimiento e inspección; y
  - 2) desatascar el clavador.

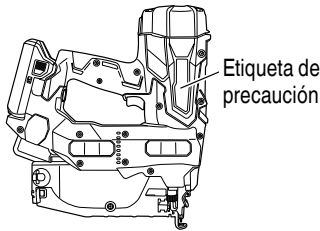
1. Inspección del cargador

- ① Retire la pila.
- ② Limpie el almacén. Si el alimentador de clavos (B) y el pomo de alimentación salen hacia atrás del almacén y chocan contra el clavo, se puede dañar el adhesivo del clavo.

### ⚠ PRECAUCIÓN

- Compruebe si el alimentador de clavos se desliza suavemente al empujarlo con el dedo. Si no lo hiciese, los clavos podrían clavarse con un ángulo irregular y lesionar a alguien.

2. Almacenamiento
  - No guarde la Clavadora, la célula de combustible ni la pila en lugares fríos.  
Guarde las piezas en un lugar cálido.
  - Mientras no la utilice, guarde la célula de combustible y la pila en un lugar seco y cálido.  
Manténgase fuera del alcance de los niños.
3. ETIQUETA DE PRECAUCIÓN  
Si la ETIQUETA DE PRECAUCIÓN se pierde o daña, cámbiela por otra.  
Solicite la nueva ETIQUETA DE PRECAUCIÓN a un centro de reparaciones autorizado por metabo HPT.



Etiqueta de precaución

4. Tabla de mantenimiento (Consulte la página 91.)
5. Solución de problemas por parte del operador (Consulte la página 91–92.)
6. Eliminación de las baterías agotadas

## ⚠ ADVERTENCIA

**No tire las baterías agotadas. Las baterías pueden explotar si se incineran. El producto que ha adquirido contiene una batería. La batería es reciclable. Cuando se agote su duración útil, de acuerdo con las leyes estatales y locales, puede ser ilegal tirar esta batería a la basura. Solicite a las autoridades locales los detalles sobre las opciones de reciclado o de la forma de deshacerse apropiadamente de la batería.**

7. Almacenamiento  
Guarde la herramienta en un lugar con menos de 104°F (40°C) y fuera del alcance de niños.

## NOTA

Almacenar baterías de ion-litio  
Compruebe que las baterías de ion-litio se han cargado completamente antes de almacenarlas.  
Un almacenamiento prolongado de las baterías (3 meses o más) con carga baja podría deteriorar su funcionamiento, reduciendo en gran medida el tiempo de uso de la batería o haciendo que las baterías no puedan mantener una carga.

No obstante, la reducción en gran medida del tiempo de uso de la batería puede recuperarse si se carga y utiliza de dos a cinco veces.

Si el tiempo de uso de la batería es extremadamente corto a pesar de haber cargado y utilizado la batería varias veces, deberá considerarla agotada y comprar una nueva.

## ⚠ PRECAUCIÓN

**En el manejo y el mantenimiento de las herramientas eléctricas, se deberán observar las normas y reglamentos vigentes en cada país.**

### Aviso importante sobre las pilas de las herramientas inalámbricas de metabo HPT

Utilice siempre una de nuestras pilas genuinas. No podemos garantizar la seguridad y el funcionamiento de nuestra herramienta eléctrica inalámbrica cuando se utiliza con pilas diferentes a las indicadas por nosotros o cuando la pila se desmonta y modifica (como cuando se desmontan y sustituyen celdas u otras piezas internas).

## SERVICIO Y REPARACIONES

### ⚠ ADVERTENCIA

- Este clavador solamente deberá repararlo personal entrenado por metabo HPT, un distribuidor, o el empresario.
- Para la reparación, utilice solamente las piezas suministradas o recomendadas por metabo HPT.

Todos los clavadores de calidad requerirán el servicio de mantenimiento o de reemplazo de piezas debido al desgaste con la utilización normal.

## NOTA

Las especificaciones están sujetas a cambio sin previo aviso sin ninguna obligación por parte de metabo HPT.

Tabla de mantenimiento

ACCIÓN	PARA	CÓMO
Limpieza del cargador y del mecanismo del alimentador.	Evitar atascos.	Sople diariamente.
Mantenimiento de la palanca de empuje en perfectas condiciones.	Garantizar la seguridad del operador y la operación eficaz del clavador.	Sople diariamente.

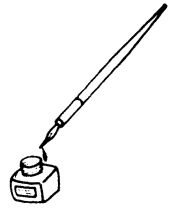
## Resolución de problemas del operador

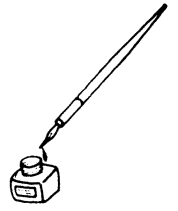
La mayoría de problemas menores pueden ser resueltos de manera rápida y sencilla utilizando la tabla a continuación.

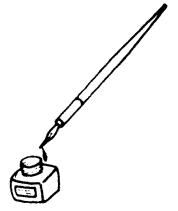
Si el problema persiste, contáctese con un centro de servicio técnico autorizado de metabo HPT para solicitar asistencia.

PROBLEMA	MÉTODO DE COMPROBACIÓN	CORRECCIÓN
El interruptor de alimentación no se enciende. Se enciende una vez, pero se apaga automáticamente.	Poca carga de batería.	Cargue la batería.
	Electrónica interna dañada.	Póngase en contacto con metabo HPT para la inspección.
	¿La palanca de empuje y/o el gatillo están activados?	Mantenga la palanca de empuje y el gatillo desactivados.
	¿Deja de operar luego de 30 minutos? (Función de apagado automático)	Mantenga presionado el interruptor de alimentación durante más de un segundo para cambiar a "ENCENDIDO"
La clavadora no opera (Interruptor de alimentación ENCENDIDO).	La clavadora no se ha presionado lo suficiente contra la pieza de trabajo.	Sostenga la clavadora firmemente y presiónela sobre la pieza de trabajo por completo.
	El gatillo no se ha presionado lo suficiente.	Presione el gatillo firmemente.
	Pasan más de dos segundos desde que se activa la palanca de empuje hasta que se activa el gatillo (o desde que se activa el gatillo hasta que se activa la palanca de empuje).	Asegúrese de que pasen menos de dos segundos desde que se activa la palanca de empuje hasta que se activa el gatillo (o desde que se activa el gatillo hasta que se activa la palanca de empuje).
	Se ha activado el mecanismo preventivo. (No quedan clavos, o quedan muy pocos sujetadores). (NT1865DMA(S) / NT1865DM(S) solo)	Vuelva a cargar clavos en el cartucho.
	La palanca de bloqueo (función de bloqueo del gatillo) está en la posición "ENCENDIDO".	Coloque la palanca de bloqueo en la posición "APAGADO". (Refiérase a la página 81).
	La máquina está demasiado fría (por debajo de 23 °F (-5 °C)) o demasiado caliente. (La luz LED parpadea en intervalos regulares, y el interruptor de alimentación se apaga luego de 10 segundos). (Refiérase a la página 80).	Espere que la clavadora se enfríe o se caliente en la condición adecuada.
	Electrónica interna dañada.	Póngase en contacto con metabo HPT para la inspección.

PROBLEMA	MÉTODO DE COMPROBACIÓN	CORRECCIÓN
La clavadora opera, pero no se expulsa ningún clavo.	El cartucho está sucio.	Sople y limpie el cartucho.
	Busque si hay atascos.	Elimine el atasco (refiérase a la página 89).
	¿La hoja del motor está gastada o dañada?	Póngase en contacto con metabo HPT para la inspección.
	¿El resorte de la cinta está dañado o debilitado?	Reemplace el resorte de la cinta.
	¿El alimentador de clavos está dañado?	Reemplace el alimentador de clavos.
	Compruebe si los clavos son los correctos.	Utilice solo los clavos recomendados.
Accionamiento débil. Ciclo lento.	Compruebe la posición del regulador de ajuste de profundidad de clavado.	Reajuste de acuerdo con la página 87.
	¿Hoja del motor gastada?	Póngase en contacto con metabo HPT para la inspección.
	La presión del aire comprimido es baja.	Póngase en contacto con metabo HPT para la inspección.
	Electrónica interna dañada.	Póngase en contacto con metabo HPT para la inspección.
Los clavos se clavan demasiado profundos.	Compruebe la posición del regulador de ajuste de profundidad de clavado.	Reajuste de acuerdo con la página 87.
Se omiten clavos. Alimentación intermitente.	Compruebe si los clavos son los correctos.	Utilice solo los clavos recomendados.
	¿El alimentador de clavos está dañado?	Reemplace el alimentador de clavos.
	¿El resorte de la cinta está dañado o debilitado?	Reemplace el resorte de la cinta.
	¿La hoja del motor está gastada o dañada?	Póngase en contacto con metabo HPT para la inspección.
Los clavos se atascan. El clavo clavado está doblado.	Compruebe si los clavos son los correctos.	Utilice solo los clavos recomendados.
	¿La hoja del motor está gastada o dañada?	Póngase en contacto con metabo HPT para la inspección.
El indicador de batería restante de la máquina no coincide con la batería.	—	Compruebe la lámpara indicadora de la batería.









Please contact Koki Holdings America Ltd.  
at 1-800-59-TOOLS (toll free), or metabo HPT  
AUTHORIZED POWER TOOL SERVICE  
CENTER regarding COLLECTION.



Pour le RAMASSAGE, contacter Koki Holdings  
America Ltd. au 1-800-59-TOOLS (appel gratuit),  
ou UN SERVICE APRÈS-VENTE D'OUTILS  
ÉLECTRIQUE AGRÉÉ PAR metabo HPT.



Con respecto a la RECOLECCIÓN de baterías,  
póngase en contacto con Koki Holdings America  
Ltd. número 1-800-59-TOOLS (llamada gratis),  
o con metabo HPT AUTHORIZED POWER TOOL  
SERVICE CENTER.

Issued by

## **Koki Holdings Co., Ltd.**

Shinagawa Intercity Tower A, 15-1, Konan 2-chome,  
Minato-ku, Tokyo 108-6020, Japan

Distributed by

## **Koki Holdings America Ltd.**

1111 Broadway Ave,  
Braselton, Georgia, 30517

## **Koki Holdings America Ltd. Canadian Branch**

3405 American Drive, Units 9-10,  
Mississauga, ON, L4V 1T6