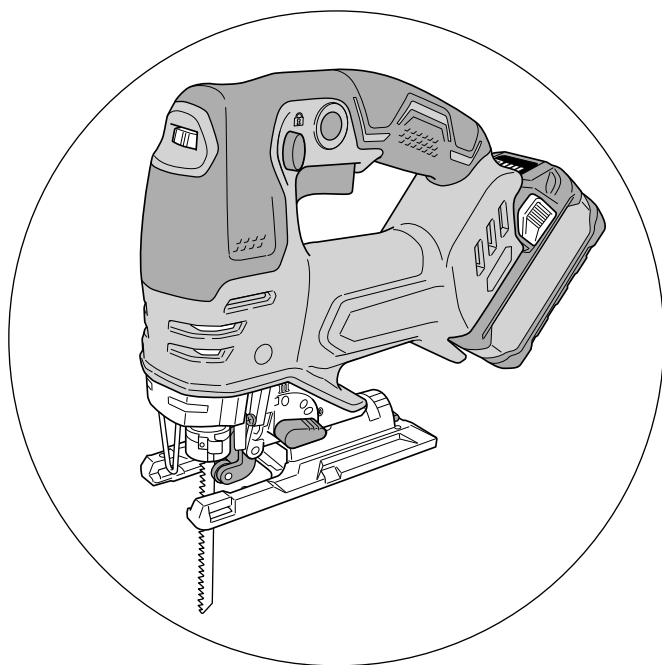
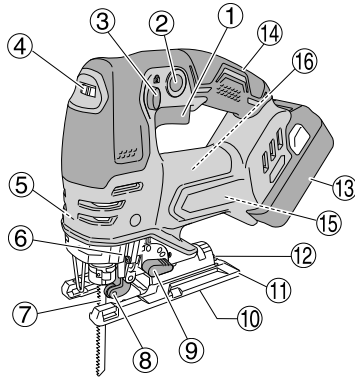


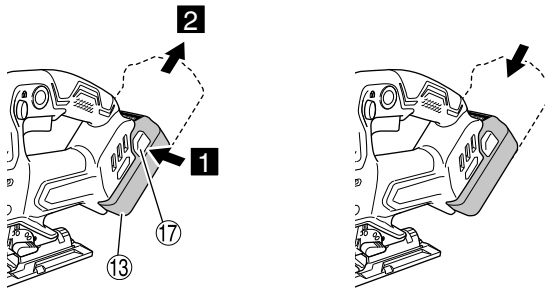
## CJ36DA



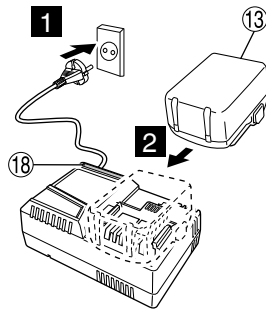
1



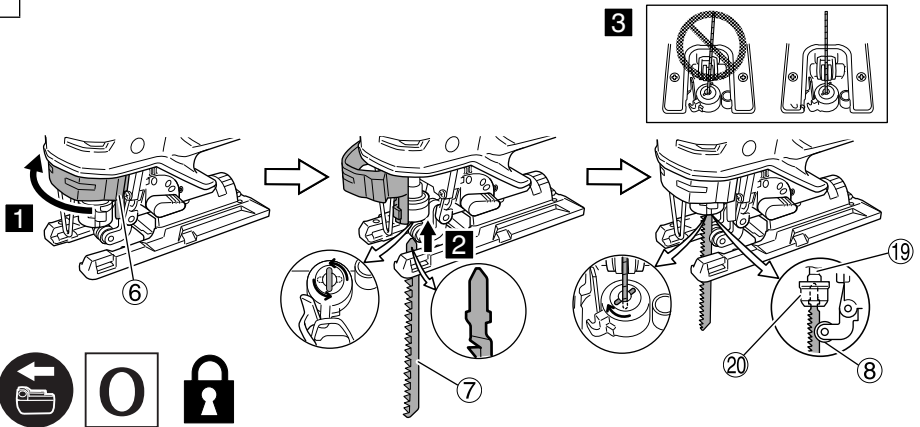
2



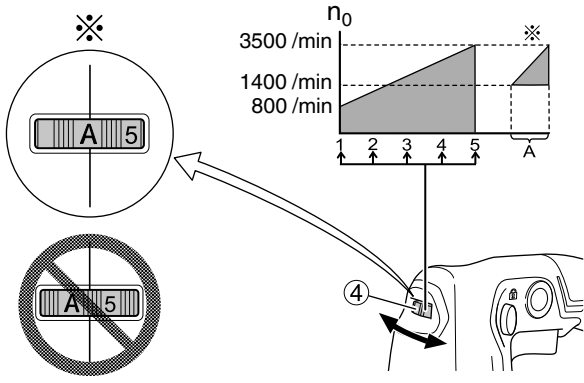
3



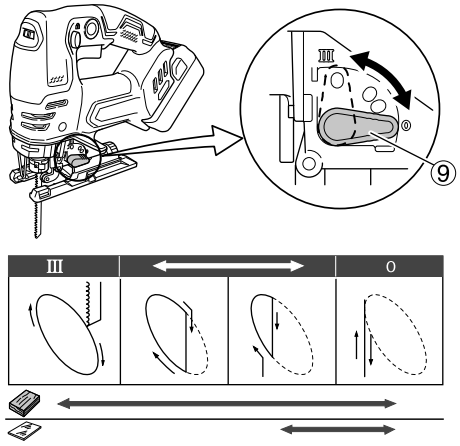
4



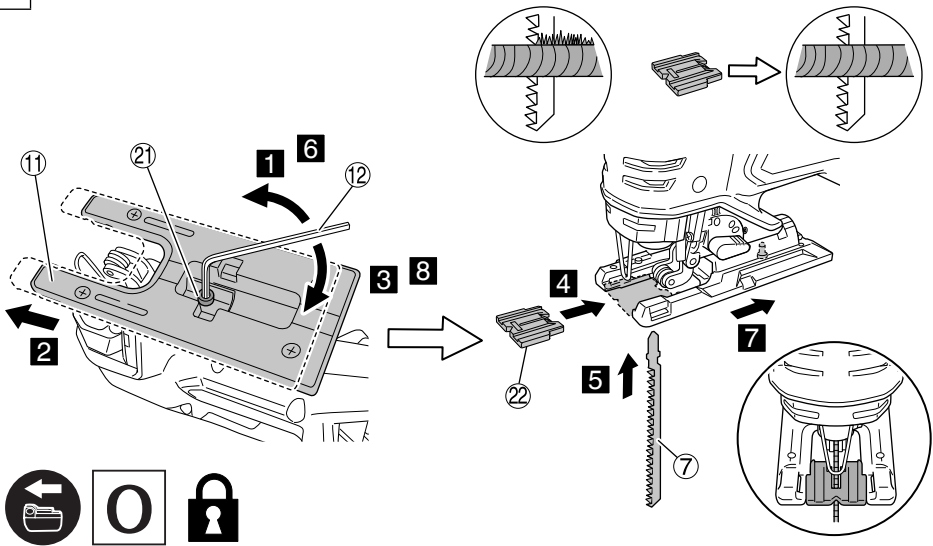
5



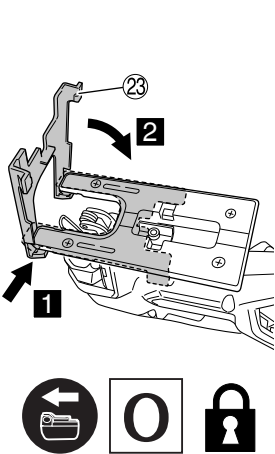
6



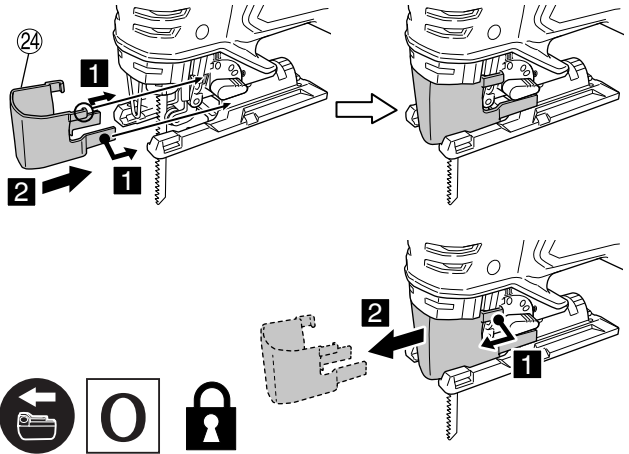
7



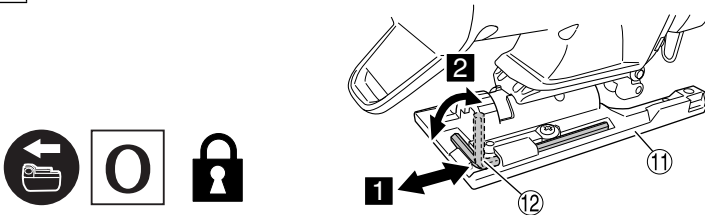
8



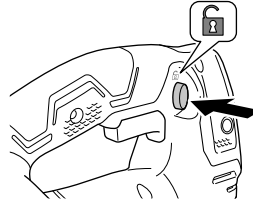
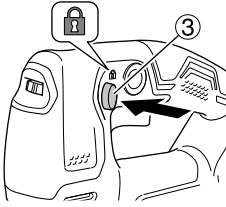
9



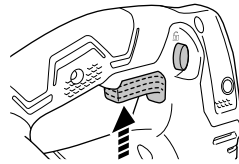
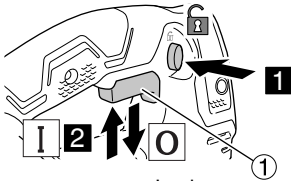
10



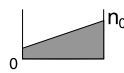
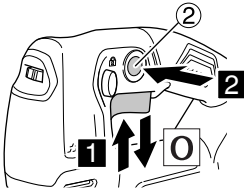
11



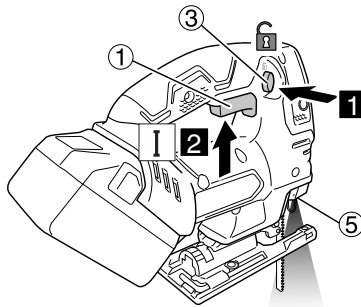
**1 + 2 = I**



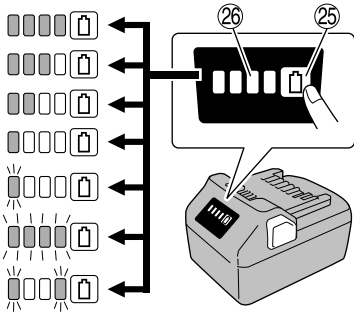
**1 + 2 = Lock**



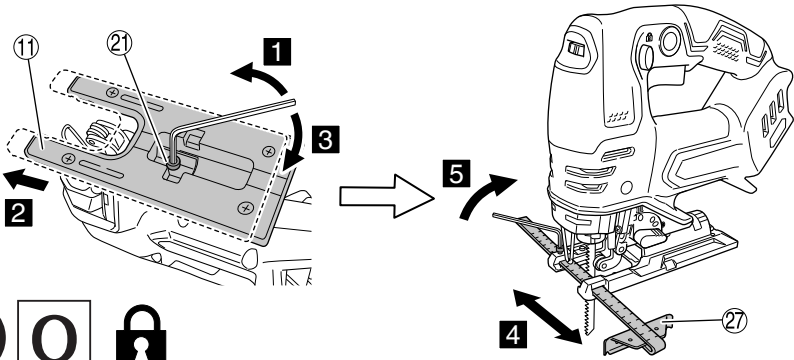
12



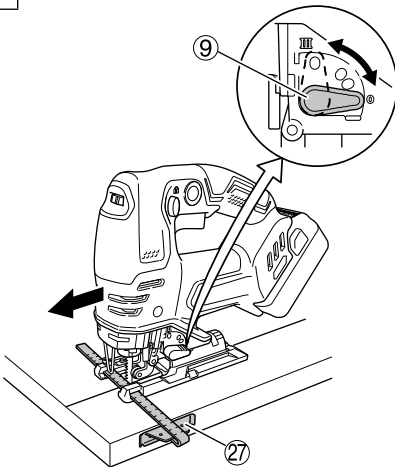
13



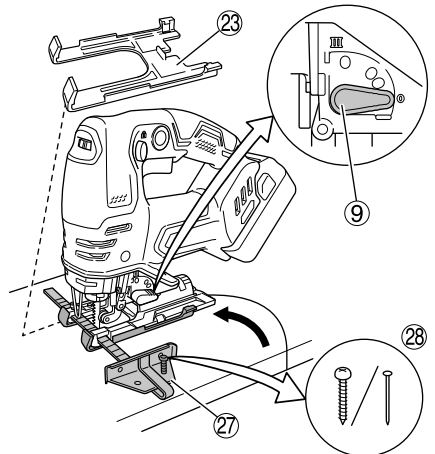
14



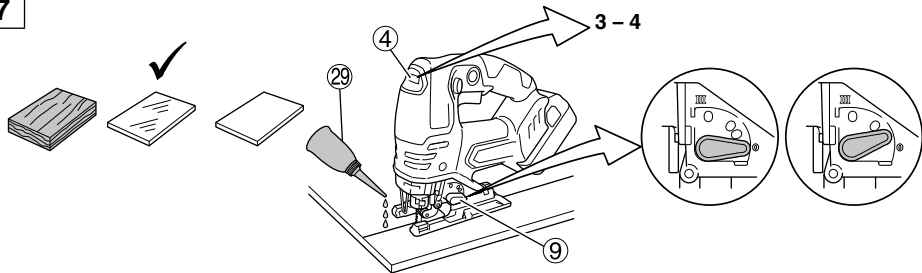
15



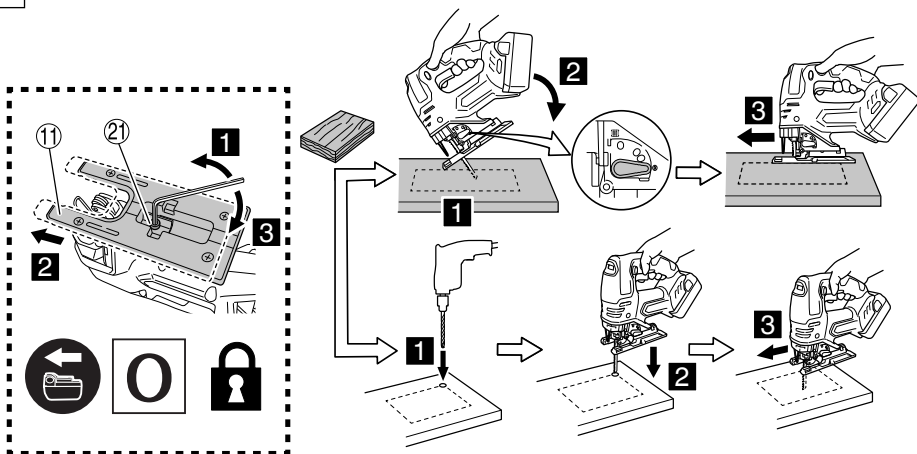
16



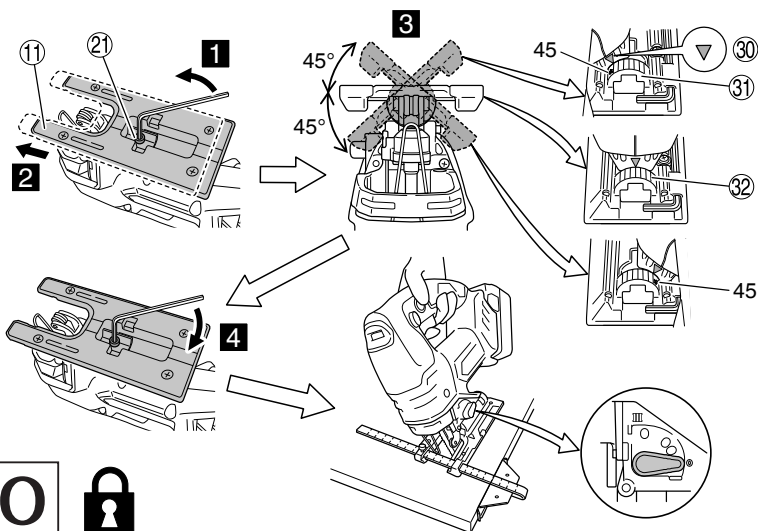
17



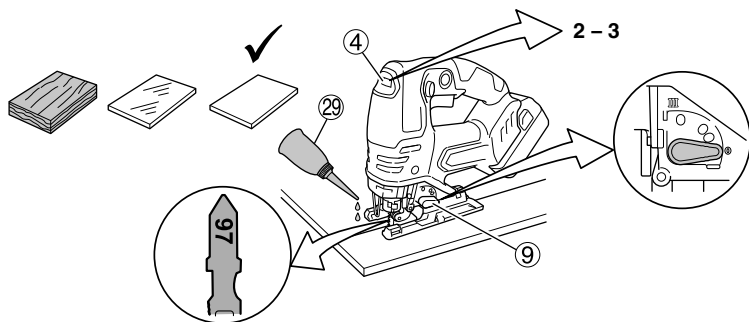
18



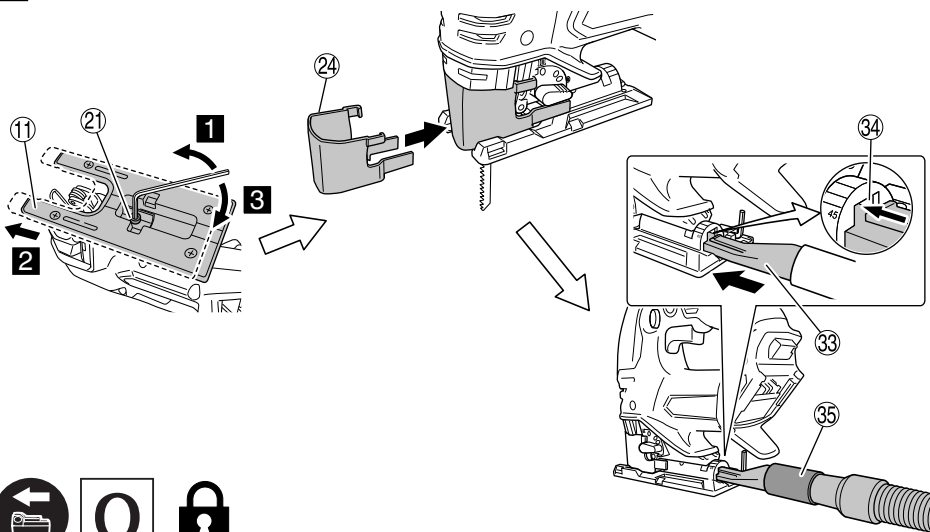
19



20



21



## GENERAL POWER TOOL SAFETY WARNINGS

### WARNING

Read all safety warnings, instructions, illustrations and specifications provided with this power tool.

Failure to follow all instructions listed below may result in electric shock, fire and/or serious injury.

Save all warnings and instructions for future reference.

The term "power tool" in the warnings refers to your mains-operated (corded) power tool or battery-operated (cordless) power tool.

#### 1) Work area safety

- a) **Keep work area clean and well lit.**  
*Cluttered or dark areas invite accidents.*
- b) **Do not operate power tools in explosive atmospheres, such as in the presence of flammable liquids, gases or dust.**  
*Power tools create sparks which may ignite the dust or fumes.*
- c) **Keep children and bystanders away while operating a power tool.**  
*Distractions can cause you to lose control.*

#### 2) Electrical safety

- a) **Power tool plugs must match the outlet.**  
Never modify the plug in any way.  
Do not use any adapter plugs with earthed (grounded) power tools.  
*Unmodified plugs and matching outlets will reduce risk of electric shock.*
- b) **Avoid body contact with earthed or grounded surfaces, such as pipes, radiators, ranges and refrigerators.**  
*There is an increased risk of electric shock if your body is earthed or grounded.*
- c) **Do not expose power tools to rain or wet conditions.**  
*Water entering a power tool will increase the risk of electric shock.*
- d) **Do not abuse the cord. Never use the cord for carrying, pulling or unplugging the power tool.**  
Keep cord away from heat, oil, sharp edges or moving parts.  
*Damaged or entangled cords increase the risk of electric shock.*
- e) **When operating a power tool outdoors, use an extension cord suitable for outdoor use.**  
*Use of a cord suitable for outdoor use reduces the risk of electric shock.*
- f) **If operating a power tool in a damp location is unavoidable, use a residual current device (RCD) protected supply.**  
*Use of an RCD reduces the risk of electric shock.*

#### 3) Personal safety

- a) **Stay alert, watch what you are doing and use common sense when operating a power tool.**  
Do not use a power tool while you are tired or under the influence of drugs, alcohol or medication.  
*A moment of inattention while operating power tools may result in serious personal injury.*
- b) **Use personal protective equipment. Always wear eye protection.**  
*Protective equipment such as a dust mask, non-skid safety shoes, hard hat or hearing protection used for appropriate conditions will reduce personal injuries.*

- c) **Prevent unintentional starting. Ensure the switch is in the off-position before connecting to power source and/or battery pack, picking up or carrying the tool.**

*Carrying power tools with your finger on the switch or energising power tools that have the switch on invites accidents.*

- d) **Remove any adjusting key or wrench before turning the power tool on.**

*A wrench or a key left attached to a rotating part of the power tool may result in personal injury.*

- e) **Do not overreach. Keep proper footing and balance at all times.**

*This enables better control of the power tool in unexpected situations.*

- f) **Dress properly. Do not wear loose clothing or jewellery. Keep your hair and clothing away from moving parts.**

*Loose clothes, jewellery or long hair can be caught in moving parts.*

- g) **If devices are provided for the connection of dust extraction and collection facilities, ensure these are connected and properly used.**

*Use of dust collection can reduce dust-related hazards.*

- h) **Do not let familiarity gained from frequent use of tools allow you to become complacent and ignore tool safety principles.**

*A careless action can cause severe injury within a fraction of a second.*

#### 4) Power tool use and care

- a) **Do not force the power tool. Use the correct power tool for your application.**

*The correct power tool will do the job better and safer at the rate for which it was designed.*

- b) **Do not use the power tool if the switch does not turn it on and off.**

*Any power tool that cannot be controlled with the switch is dangerous and must be repaired.*

- c) **Disconnect the plug from the power source and/or remove the battery pack, if detachable, from the power tool before making any adjustments, changing accessories, or storing power tools.**

*Such preventive safety measures reduce the risk of starting the power tool accidentally.*

- d) **Store idle power tools out of the reach of children and do not allow persons unfamiliar with the power tool or these instructions to operate the power tool.**

*Power tools are dangerous in the hands of untrained users.*

- e) **Maintain power tools and accessories. Check for misalignment or binding of moving parts, breakage of parts and any other condition that may affect the power tool's operation.**

*If damaged, have the power tool repaired before use.*

- f) **Keep cutting tools sharp and clean.**

*Properly maintained cutting tools with sharp cutting edges are less likely to bind and are easier to control.*

- g) **Use the power tool, accessories and tool bits etc. in accordance with these instructions, taking into account the working conditions and the work to be performed.**

*Use of the power tool for operations different from those intended could result in a hazardous situation.*

- h) **Keep handles and grasping surfaces dry, clean and free from oil and grease.**

## English

*Slippery handles and grasping surfaces do not allow for safe handling and control of the tool in unexpected situations.*

### 5) Battery tool use and care

#### a) Recharge only with the charger specified by the manufacturer.

*A charger that is suitable for one type of battery pack may create a risk of fire when used with another battery pack.*

#### b) Use power tools only with specifically designated battery packs.

*Use of any other battery packs may create a risk of injury and fire.*

#### c) When battery pack is not in use, keep it away from other metal objects, like paper clips, coins, keys, nails, screws or other small metal objects, that can make a connection from one terminal to another.

*Shorting the battery terminals together may cause burns or a fire.*

#### d) Under abusive conditions, liquid may be ejected from the battery; avoid contact. If contact accidentally occurs, flush with water. If liquid contacts eyes, additionally seek medical help.

*Liquid ejected from the battery may cause irritation or burns.*

#### e) Do not use a battery pack or tool that is damaged or modified.

*Damaged or modified batteries may exhibit unpredictable behaviour resulting in fire, explosion or risk of injury.*

#### f) Do not expose a battery pack or tool to fire or excessive temperature.

*Exposure to fire or temperature above 130 °C may cause explosion.*

#### g) Follow all charging instructions and do not charge the battery pack or tool outside the temperature range specified in the instructions.

*Charging improperly or at temperatures outside the specified range may damage the battery and increase the risk of fire.*

### 6) Service

#### a) Have your power tool serviced by a qualified repair person using only identical replacement parts.

*This will ensure that the safety of the power tool is maintained.*

#### b) Never service damaged battery packs.

*Service of battery packs should only be performed by the manufacturer or authorized service providers.*

## PRECAUTION

Keep children and infirm persons away.

When not in use, tools should be stored out of reach of children and infirm persons.

## ADDITIONAL SAFETY WARNINGS

1. Always charge the battery at a temperature of 0 °C – 40 °C. A temperature of less than 0 °C will result in over charging which is dangerous. The battery cannot be charged at a temperature higher than 40 °C. The most suitable temperature for charging is that of 20 °C – 25 °C.
2. Do not use the charger continuously. When one charging is completed, leave the charger for about 15 minutes before the next charging of battery.
3. Do not allow foreign matter to enter the hole for connecting the rechargeable battery.
4. Never disassemble the rechargeable battery and charger.
5. Never short-circuit the rechargeable battery. Shortcircuiting the battery will cause a great electric current and overheat. It results in burn or damage to the battery.
6. Do not dispose of the battery in fire. If the battery is burnt, it may explode.
7. Bring the battery to the shop from which it was purchased as soon as the post-charging battery life becomes too short for practical use. Do not dispose of the exhausted battery.
8. Do not insert object into the air ventilation slots of the charger. Inserting metal objects or inflammables into the charger air ventilation slots will result in electrical shock hazard or damaged charger.
9. When using this unit continuously, the unit may overheat, leading to damage in the motor and switch. Therefore, whenever the housing becomes hot, give the blade a break for a while.
10. If the machine is used continuously at low speed, an extra load is applied to the motor which can result in motor seizure. Always operate the power tool so that the blade is not caught by the material during operation. Always adjust the blade speed to enable smooth cutting.
11. Preparing and checking the work environment. Make sure that the work site meets all the conditions laid forth in the precautions.
12. Make sure that the battery is installed firmly. If it is at all loose it could come off and cause an accident.
13. Dust produced in operation  
*The dust produced in normal operation may affect the operator's health. Either of following way is recommended.*

#### a) Wear a dust mask

#### b) Use external dust collection equipment (optional accessories) (Fig. 21)

When using the external dust collection equipment, connect the adapter with the hose from external dust collection equipment.

14. During use, do not touch the metal portion of the tool.
15. Changing blades
  - Be sure to switch power OFF and disconnect the battery from the body when changing blades.
  - Do not open the lever when plunger is moving. (Fig. 4)
  - Confirm the protrusions of blade inserted to the blade holder surely. (Fig. 4)
  - Confirm the blade located between the groove of roller. (Fig. 4)
16. Always make sure to push in the lock off button to the locked position when not using.
17. Using the splinter guard when cutting wood materials will reduce splintering of cut surfaces.  
Insert the splinter guard in the space on the base, and push it completely.

## JIG SAW SAFETY WARNINGS

### 1. Hold the power tool by insulated gripping surfaces, when performing an operation where the cutting accessory may contact hidden wiring or its own cord.

*Cutting accessory contacting a "live" wire may make exposed metal parts of the power tool "live" and could give the operator an electric shock.*

### 2. Use clamps or another practical way to secure and support the workpiece to a stable platform.

*Holding the workpiece by hand or against your body leaves it unstable and may lead to loss of control.*

18. Chip cover
  - Chip cover prevents chips from flying off and improves the efficiency of dust collector.
  - There is a possibility that chip cover is frosted when cutting the metal.
19. In order to prevent blade dislodging, damage or excessive wear on the plunger, please make sure to have surface of the base plate attached to the work piece while sawing.
20. At low speed do not cut a wood with a thickness of more than 10 mm or metal with a thickness of more than 1 mm.
21. To ensure accurate cutting when using the guide (**Fig. 16**), always set the orbital position to "0".
22. When sawing a small circular arc, reduce the feeding speed of the machine. If the machine is fed too fast, it could cause the blade to break.
23. Circular cutting must be done with the blade approximately vertical to the bottom surface of the base.
24. Angular cutting can not be done when adopting dust collector.
25. Connecting with cleaner (sold separately)
 

By connecting with cleaner through dust collector and adapter (sold separately), most of dust can be collected.
26. When cutting metallic materials, use an appropriate cutting fluid (spindle oil, soapy water, etc.) to prolong the blade's service life. (**Fig. 17**) And cut the material at medium speed.
27. When cutting a window hole in materials other than lumber, initially bore a hole with a drill or similar tool from which to start cutting. (**Fig. 18**)
28. Do not fix and secure the switch lock. Besides, keep your finger off the switch trigger when the tool is being carried around. Otherwise, the main body switch can be inadvertently turned ON, resulting in unexpected accidents.
29. Do not expose directly your eye to the light by looking into the light.
 

If your eye is continuously exposed to the light, your eye will be hurt.
30. Never touch moving parts.
 

Never place your hands, fingers or other body parts near the tool's moving parts.
31. Never operate without all guards in place.
 

Never operate this tool without all guards or safety features in place and in proper working order. If maintenance or servicing requires the removal of a guard or safety feature, be sure to replace the guard or safety feature before resuming operation of the tool.
32. NEVER leave tool running unattended. Turn power off.
 

Don't leave tool until it comes to a complete stop.
33. Do not operate power tools in explosive atmospheres, such as in the presence of flammable liquids, gases or dust.
 

Jig saw create sparks which may ignite the dust or fumes.
34. The power tool is equipped with a temperature protection circuit to protect the motor. Continuous work may cause the temperature of the unit to rise, activating the temperature protection circuit and automatically stopping operation. If this happens, allow the power tool to cool before resuming use.
35. Do not use the product if the tool or the battery terminals (battery mount) are deformed.
 

Installing the battery could cause a short circuit that could result in smoke emission or ignition.
36. Keep the tool's terminals (battery mount) free of swarf and dust.
  - Prior to use, make sure that swarf and dust have not collected in the area of the terminals.
  - During use, try to avoid swarf or dust on the tool from falling on the battery.
  - When suspending operation or after use, do not leave the tool in an area where it may be exposed to falling swarf or dust.
 

Doing so could cause a short circuit that could result in smoke emission or ignition.

## CAUTION ON LITHIUM-ION BATTERY

To extend the lifetime, the lithium-ion battery equips with the protection function to stop the output.

In the cases of 1 to 3 described below, when using this product, even if you are pulling the switch, the motor may stop. This is not the trouble but the result of protection function.

1. When the battery power remaining runs out, the motor stops.
 

In such a case, charge it up immediately.
2. If the tool is overloaded, the motor may stop. In this case, release the switch of tool and eliminate causes of overloading. After that, you can use it again.
3. If the battery is overheated under overload work, the battery power may stop.
 

In this case, stop using the battery and let the battery cool. After that, you can use it again.

Furthermore, please heed the following warning and caution.

### WARNING

In order to prevent any battery leakage, heat generation, smoke emission, explosion and ignition beforehand, please be sure to heed the following precautions.

1. Make sure that swarf and dust do not collect on the battery.
  - During work make sure that swarf and dust do not fall on the battery.
  - Make sure that any swarf and dust falling on the power tool during work do not collect on the battery.
  - Do not store an unused battery in a location exposed to swarf and dust.
  - Before storing a battery, remove any swarf and dust that may adhere to it and do not store it together with metal parts (screws, nails, etc.).
2. Do not pierce battery with a sharp object such as a nail, strike with a hammer, step on, throw or subject the battery to severe physical shock.
3. Do not use an apparently damaged or deformed battery.
4. Do not use the battery in reverse polarity.
5. Do not connect directly to an electrical outlets or car cigarette lighter sockets.
6. Do not use the battery for a purpose other than those specified.
7. If the battery charging fails to complete even when a specified recharging time has elapsed, immediately stop further recharging.
8. Do not put or subject the battery to high temperatures or high pressure such as into a microwave oven, dryer, or high pressure container.
9. Keep away from fire immediately when leakage or foul odor are detected.
10. Do not use in a location where strong static electricity generates.
11. If there is battery leakage, foul odor, heat generated, discolored or deformed, or in any way appears abnormal during use, recharging or storage, immediately remove it from the equipment or battery charger, and stop use.

## English

12. Do not immerse the battery or allow any fluids to flow inside. Conductive liquid ingress, such as water, can cause damage resulting in fire or explosion. Store your battery in a cool, dry place, away from combustible and flammable items. Corrosive gas atmospheres must be avoided.

### CAUTION

- If liquid leaking from the battery gets into your eyes, do not rub your eyes and wash them well with fresh clean water such as tap water and contact a doctor immediately.  
If left untreated, the liquid may cause eye-problems.
- If liquid leaks onto your skin or clothes, wash well with clean water such as tap water immediately.  
There is a possibility that this can cause skin irritation.
- If you find rust, foul odor, overheating, discolor, deformation, and/or other irregularities when using the battery for the first time, do not use and return it to your supplier or vendor.

### WARNING

If a conductive foreign matter enters in the terminal of lithium ion battery, the battery may be shorted, causing fire. When storing the lithium ion battery, obey surely the rules of following contents.

- Do not place conductive debris, nail and wires such as iron wire and copper wire in the storage case.
- To prevent shorting from occurring, load the battery in the tool or insert securely the battery cover for storing until the ventilator is not seen.

## NAMES OF PARTS (Fig. 1 – Fig. 21)

|   |                       |   |                                       |
|---|-----------------------|---|---------------------------------------|
| ① | Switch                | ⑲ | Plunger                               |
| ② | Stopper               | ⑳ | Blade holder                          |
| ③ | Lock-off button       | ㉑ | Base bolt                             |
| ④ | Dial                  | ㉒ | Splinter guard                        |
| ⑤ | LED light             | ㉓ | Sub base (optional accessories)       |
| ⑥ | Lever                 | ㉔ | Chip cover                            |
| ⑦ | Blade                 | ㉕ | Battery level indicator switch        |
| ⑧ | Guide roller          | ㉖ | Battery level indicator lamp          |
| ⑨ | Change knob           | ㉗ | Guide (optional accessories)          |
| ⑩ | Base plate            | ㉘ | Wood screw / Nail                     |
| ⑪ | Base                  | ㉙ | Oiler                                 |
| ⑫ | Hexagonal bar wrench  | ㉚ | ▽ mark                                |
| ⑬ | Battery               | ㉛ | Semi-circular part                    |
| ⑭ | Handle                | ㉜ | Scale                                 |
| ⑮ | Motor                 | ㉝ | Dust collector (optional accessories) |
| ⑯ | Name plate            | ㉞ | Notch                                 |
| ⑰ | Latch                 | ㉟ | Adapter (optional accessories)        |
| ⑱ | Charge indicator lamp |   |                                       |

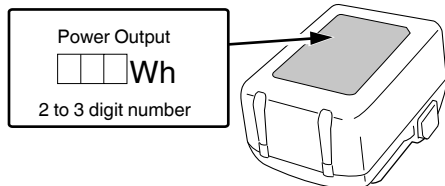
## REGARDING LITHIUM-ION BATTERY TRANSPORTATION

When transporting a lithium-ion battery, please observe the following precautions.

### WARNING

Notify the transporting company that a package contains a lithium-ion battery, inform the company of its power output and follow the instructions of the transportation company when arranging transport.





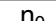





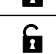




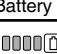
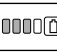
- Lithium-ion batteries that exceed a power output of 100 Wh are considered to be in the freight classification of Dangerous Goods and will require special application procedures.
- For transportation abroad, you must comply with international law and the rules and regulations of the destination country.
- If the BSL36B18 is installed in the power tool, the power output will exceed 100 Wh and the unit will be classified as Dangerous Goods for freight classification.





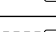


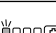
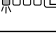
## SYMBOLS

### WARNING

The following show symbols used for the machine. Be sure that you understand their meaning before use.

|  |  |
|--|--|
|    | CJ36DA: Cordless Jig saw   |
|    | To reduce the risk of injury, user must read instruction manual. |
|    | Direct current   |
|    | Rated voltage  |
|    | No-load speed  |
|    | Weight   |
|    | Switching ON   |
|    | Switching OFF  |
|    | Switch locks to the "ON" position                                |
|    | Disconnect the battery   |
|    | Lock   |
|    | Unlock   |
|    | Wood   |
|   | Metal  |
|  | Stainless steel  |
|  | Warning  |
|  | Prohibited action  |

### Battery

|  |   |
|--|---|
|  | Lights ;<br>The battery remaining power is over 75%   |
|  | Lights ;<br>The battery remaining power is 50% – 75%.   |
|  | Lights ;<br>The battery remaining power is 25% – 50%.   |
|  | Lights ;<br>The battery remaining power is less than 25%  |
|  | Blinks ;<br>The battery remaining power is nearly empty. Recharge the battery soonest possible.                           |
|  | Blinks ;<br>Output suspended due to high temperature. Remove the battery from the tool and allow it to fully cool down.   |
|  | Blinks ;<br>Output suspended due to failure or malfunction. The problem may be the battery so please contact your dealer. |

## STANDARD ACCESSORIES

In addition to the main unit (1 unit), the package contains the accessories listed on page 30.

Standard accessories are subject to change without notice.

## APPLICATIONS

- Cutting various lumber and pocket cutting
- Cutting mild steel plate, aluminum plate, and copper plate
- Cutting synthetic resins, such as phenol resin and vinyl chloride
- Cutting thin and soft construction materials
- Cutting stainless steel plate (with No. 97 blade)

## SPECIFICATIONS

### 1. Power tool

|                                  |   |
|----------------------------------|---|
| Model                            | CJ36DA  |
| Voltage                          | 36 V  |
| Max. cutting depth               | Wood 160 mm<br>Mild steel 10 mm<br>Stainless steel 3.2 mm |
| No-Load Speed                    | 800 – 3500 /min   |
| Stroke                           | 26 mm   |
| Min. cutting radius              | 25 mm   |
| Battery available for this tool* | Multi volt battery  |
| Weight                           | 2.8 kg (BSL36A18X)<br>3.0 kg (BSL36B18X)                  |

\* Existing batteries (BSL3660/3620/3626, BSL18xx series, etc.) cannot be used with this tool.

### NOTE

Due to HiKOKI's continuing program of research and development, the specifications herein are subject to change without prior notice.

### 2. Battery

|                               |   |                       |
|-------------------------------|---|-----------------------|
| Model                         | BSL36A18<br>BSL36A18X                     | BSL36A18<br>BSL36A18X |
| Voltage                       | 36 V / 18 V (Automatic Switching*)        |                       |
| Battery capacity              | 2.5 Ah / 5.0 Ah                           | 4.0 Ah / 8.0 Ah       |
|                               | (Automatic Switching*)                    |                       |
| Available cordless products** | Multi volt series, 18 V product           |                       |
| Available charger             | Sliding charger for lithium ion batteries |                       |

\* The tool itself will automatically switch over.

\*\* Please see our general catalogue for details.

## CHARGING

Before using the power tool, charge the battery as follows.

**1. Connect the charger's power cord to the receptacle.**

When connecting the plug of the charger to a receptacle, the charge indicator lamp will blink in red (At 1- second intervals).

**2. Insert the battery into the charger.**

Firmly insert the battery into the charger as shown in Fig. 3 (on page 2).

**3. Charging**

When inserting a battery in the charger, the charge indicator lamp will blink in blue.

When the battery becomes fully recharged, the charge indicator lamp will light up in green. (See **Table 1**)

(1) Charge indicator lamp indication

The indications of the charge indicator lamp will be as shown in **Table 1**, according to the condition of the charger or the rechargeable battery.

**Table 1**

| Indications of the charge indicator lamp            |                     |                   |   |   |
|---|---------------------|-------------------|---|---|
| Charge indicator lamp (RED / BLUE / GREEN / PURPLE) | Before charging     | Blinks (RED)      | Lights for 0.5 seconds. Does not light for 0.5 seconds. (off for 0.5 seconds)   | Plugged into power source   |
|   | While charging      | Blinks (BLUE)     | Lights for 0.5 seconds. Does not light for 1 second. (off for 1 second)   | Battery capacity at less than 50%   |
|   |                     | Blinks (BLUE)     | Lights for 1 second. Does not light for 0.5 seconds. (off for 0.5 seconds)  | Battery capacity at less than 80%   |
|   |                     | Lights (BLUE)     | Lights continuously   | Battery capacity at more than 80%   |
|   | Charging complete   | Lights (GREEN)    | Lights continuously<br>(Continuous buzzer sound: about 6 seconds)   |   |
|   | Overheat standby    | Blinks (RED)      | Lights for 0.3 seconds. Does not light for 0.3 seconds. (off for 0.3 seconds)   | Battery overheated. Unable to charge. (Charging will commence when battery cools) |
|   | Charging impossible | Flickers (PURPLE) | Lights for 0.1 seconds. Does not light for 0.1 seconds. (off for 0.1 seconds)<br>(Intermittent buzzer sound: about 2 seconds) | Malfunction in the battery or the charger   |

(2) Regarding the temperatures and charging time of the rechargeable battery

The temperatures and charging time will become as shown in **Table 2**.

**Table 2**

| Charger |  | UC18YSL3  |  |   |  |   |                   |
|---------|--|---|--|---|--|---|-------------------|
| Battery | Type of battery                                    | Li-ion  |  |   |  |   |                   |
|         | Temperatures at which the battery can be recharged | 0°C – 50°C  |  |   |  |   |                   |
|         | Charging voltage                                   | V   | 14.4   | 18  |  |   |                   |
|         | Charging time, approx. (At 20°C)                   | min.  | BSL14xx series   |   | BSL18xx series   |   | Multi volt series |
|         |  |   | (4 cells)  | (8 cells)   | (5 cells)  | (10 cells)  | (10 cells)        |
|         |  | BSL1415S : 15<br>BSL1415 : 15<br>BSL1415X : 15<br>BSL1420 : 20<br>BSL1425 : 25<br>BSL1430C : 30 | BSL1430 : 20<br>BSL1440 : 26<br>BSL1450 : 32<br>BSL1460 : 38 | BSL1815S : 15<br>BSL1815 : 15<br>BSL1815X : 15<br>BSL1820 : 20<br>BSL1825 : 25<br>BSL1830C : 30 | BSL1830 : 20<br>BSL1840 : 26<br>BSL1850 : 32<br>BSL1860 : 38 | BSL36A18 : 32<br>BSL36A18X : 32<br>BSL36B18 : 52<br>BSL36B18X : 52<br>BSL36C18 : 20 |                   |

**NOTE**

The recharging time may vary according to the ambient temperature and power source voltage.

4. Disconnect the charger's power cord from the receptacle.

5. Hold the charger firmly and pull out the battery.

**NOTE**

Be sure to pull out the battery from the charger after use, and then keep it.

**Regarding electric discharge in case of new batteries, etc.**

As the internal chemical substance of new batteries and batteries that have not been used for an extended period is not activated, the electric discharge might be low when using them the first and second time. This is a temporary phenomenon, and normal time required for recharging will be restored by recharging the batteries 2 – 3 times.

**How to make the batteries perform longer.**

(1) Recharge the batteries before they become completely exhausted.

When you feel that the power of the tool becomes weaker, stop using the tool and recharge its battery. If you continue to use the tool and exhaust the electric current, the battery may be damaged and its life will become shorter.

(2) Avoid recharging at high temperatures.

A rechargeable battery will be hot immediately after use. If such a battery is recharged immediately after use, its internal chemical substance will deteriorate, and the battery life will be shortened. Leave the battery and recharge it after it has cooled for a while.

**CAUTION**

- If the battery is charged while it is heated because it has been left for a long time in a location subject to direct sunlight or because the battery has just been used, the charge indicator lamp of the charger lights for 0.3 seconds, does not light for 0.3 seconds (off for 0.3 seconds). In such a case, first let the battery cool, then start charging.
- When the charge indicator lamp flickers (at 0.2-second intervals), check for and take out any foreign objects in the charger's battery connector. If there are no foreign objects, it is probable that the battery or charger is malfunctioning. Take it to your authorized Service Center.
- Since the built-in micro computer takes about 3 seconds to confirm that the battery being charged with UC18YSL3 is taken out, wait for a minimum of 3 seconds before reinserting it to continue charging. If the battery is reinserted within 3 seconds, the battery may not be properly charged.

|  |    |    |
|--|----|----|
| Remaining battery indicator                  | 13 | 6  |
| Mounting the guide (sold separately)         | 14 | 6  |
| Rectilinear cutting                          | 15 | 6  |
| Cutting a circle or a circular arc           | 16 | 6  |
| Cutting metallic materials                   | 17 | 7  |
| Pocket cutting                               | 18 | 7  |
| Angular cutting                              | 19 | 7  |
| Concerning cutting of stainless steel plates | 20 | 8  |
| Connecting with cleaner (sold separately)    | 21 | 8  |
| Selecting accessories                        | —  | 31 |

\*1 The tool is equipped with two modes: "Standard Mode" and "AUTO Mode".

(1) Standard Mode

You can change the blade operating speed between 800 to 3500 /min by adjusting the dial from "1" to "5".

(2) AUTO Mode

AUTO Mode automatically selects a speed between 1400 and 3500 /min to suit the operating load and maintains that speed until the switch is turned off. This has the effect of lowering vibration and noise prior to and during operation.

Adjust the dial for the mode and speed that best suits your task conditions and materials.

Blade operating speed

| Mode          | Dial  | Blade operating speed                      |
|---------------|-------|--|
| Standard Mode | 1 – 5 | 800 – 3500 /min                            |
| AUTO Mode     | A     | No load: 1400 /min<br>With load: 3500 /min |

With AUTO Mode, the vibration frequency may not reach 3500 /min depending on variables such as the type of work.

\*2 Sub base

**NOTE**

When the sub base is attached, the blade's protrusion from the material being cut will be reduced by 3 mm. When the blade has been moved down to the lowest point, check to make sure that it is protruding from the material.

\*3 How to use the LED light

**NOTE**

To prevent the battery power consumption, turn off the LED light frequently. The light goes out automatically 10 seconds after the switch is released.

## MOUNTING AND OPERATION

| Action                                 | Figure | Page |
|--|--------|------|
| Removing and inserting the battery     | 2      | 2    |
| Charging                               | 3      | 2    |
| Changing blades                        | 4      | 3    |
| Adjusting the blade operating speed *1 | 5      | 3    |
| Adjusting the orbital operation        | 6      | 3    |
| Splinter guard                         | 7      | 4    |
| Sub base*2 (sold separately)           | 8      | 4    |
| Chip cover                             | 9      | 4    |
| Housing the hexagonal bar wrench       | 10     | 4    |
| Switch operation                       | 11     | 5    |
| How to use the LED light*3             | 12     | 5    |

## LED LIGHT WARNING SIGNALS

(Fig. 22)

This product features functions that are designed to protect the tool itself as well as the battery. When any of the safeguard functions are triggered, any of the LED light will blink as described in **Table 4**.

In this case, follow the instructions described under corrective action.

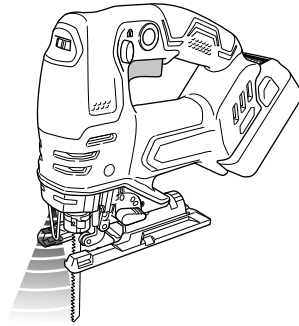




Fig. 22

Table 4

| Safeguard Function     | LED Light Display   | Corrective Action                              |
|------------------------|---|--|
| Overload Protection    | On 0.1 second/off 0.1 second<br> | Remove the cause of the overloading.           |
| Temperature Protection | On 0.5 second/off 0.5 second<br> | Allow the tool and battery to thoroughly cool. |

## SELECTION OF BLADES

### Accessory blades

To ensure maximum operating efficiency and results, it is very important to select the appropriate blade best suited to the type and thickness of the material to be cut. The blade number is engraved in the vicinity of the mounting portion of each blade.

## MAINTENANCE AND INSPECTION

### CAUTION

Be sure to turn off the switch and remove the battery before maintenance and inspection.

#### 1. Inspecting the blade

Continued use of a dull or damaged blade will result in reduced cutting efficiency and may cause overloading of the motor. Replace the blade with a new one as soon as excessive abrasion is noted.

#### 2. Inspecting the mounting screws

Regularly inspect all mounting screws and ensure that they are properly tightened. Should any of the screws be loose, retighten them immediately. Failure to do so could result in serious hazard.

#### 3. Maintenance of the motor

The motor unit winding is the very "heart" of the power tool. Exercise due care to ensure the winding does not become damaged and/or wet with oil or water.

#### 4. Inspection of terminals (tool and battery)

Check to make sure that swarf and dust have not collected on the terminals.

On occasion check prior, during and after operation.

### CAUTION

Remove any swarf or dust which may have collected on the terminals.

Failure to do so may result in malfunction.

#### 5. Cleaning on the outside

When the power tool is stained, wipe with a soft dry cloth or a cloth moistened with soapy water. Do not use chloric solvents, gasoline or paint thinner, for they melt plastics.

#### 6. Storage

Store the power tool in a place in which the temperature is less than 40°C and out of reach of children.

### NOTE

Storing lithium-ion batteries.

Make sure the lithium-ion batteries have been fully charged before storing them.

Prolonged storage (3 months or more) of batteries with a low charge may result in performance deterioration, significantly reducing battery usage time or rendering the batteries incapable of holding a charge.

However, significantly reduced battery usage time may be recovered by repeatedly charging and using the batteries two to five times.

If the battery usage time is extremely short despite repeated charging and use, consider the batteries dead and purchase new batteries.

### CAUTION

In the operation and maintenance of power tools, the safety regulations and standards prescribed in each country must be observed.

### Important notice on the batteries for the HIKOKI cordless power tools

Please always use one of our designated genuine batteries. We cannot guarantee the safety and performance of our cordless power tool when used with batteries other than these designated by us, or when the battery is disassembled and modified (such as disassembly and replacement of cells or other internal parts).

### NOTE

Due to HIKOKI's continuing program of research and development, the specifications herein are subject to change without prior notice.

## TROUBLESHOOTING

Use the inspections in the table below if the tool does not operate normally. If this does not remedy the problem, consult your dealer or the HIKOKI Authorized Service Center.

### 1. Power tool

| Symptom  | Possible cause   | Remedy  |
|--|--|---|
| Tool doesn't run   | No remaining battery power   | Charge the battery.   |
|  | Battery isn't fully installed.   | Push the battery in until you hear a click.   |
| Tool suddenly stopped  | Tool was overburdened  | Get rid of the problem causing the overburden.<br>During operation, lighten the applied pressure.   |
|  | Battery or tool overheated   | Allow the tool and battery to thoroughly cool.  |
| Blade<br>- can't be attached<br>- fall off                               | The shape of the attachment portion doesn't match  | Use the appropriate blade<br>(See "Selecting accessories")  |
|  | The lever is open.   | Close the lever.  |
|  | There is foreign matter inside the blade holder.   | Remove the foreign matter.  |
| Switch can't be pulled   | Lock-off button is pushed in   | Release the Lock-off button.  |
| An abnormal high-pitched noise occurs when the trigger switch is pulled. | The trigger switch is being pulled only slightly.  | This is not a malfunction.<br>It does not occur if the trigger switch is pulled more fully.   |
| Blade wears out too quickly.   | Number of strokes is too fast  | Switch the dial to a lower setting than the current one.<br>(Switch to low speed mode when cutting stainless steel plates)<br>(See "Adjusting operating speed") |
|  | Proper machine oil not used when cutting metallic materials  | Use machine oil (turbine oil, etc.)   |
|  | Too much applied pressure during operation   | During operation, lighten the applied pressure.   |
| Unable to properly cut.  | Blade is inappropriate for the quality and thickness of the material to be cut                       | Use the proper blade<br>(See "Selecting accessories")   |
|  | Speed and orbital position are inappropriate for the quality and thickness of the material to be cut | Set the appropriate speed and orbital position<br>(See "Adjusting operating speed")   |
|  | Blade is worn, degraded or damaged   | Replace with a new blade.   |
| Battery cannot be installed  | Attempting to install a battery other than that specified for the tool.                              | Please install a multi volt type battery.   |

# English

## 2. Charger

| Symptom   | Possible cause  | Remedy  |
|---|---|---|
| The charge indicator lamp is rapidly flickers purple, and battery charging doesn't begin. | The battery is not inserted all the way.  | Insert the battery firmly.  |
|   | There is foreign matter in the battery terminal or where the battery is attached.             | Remove the foreign matter.  |
| The charge indicator lamp blinks red, and battery charging doesn't begin.                 | The battery is not inserted all the way.  | Insert the battery firmly.  |
|   | The battery is overheated.  | If left alone, the battery will automatically begin charging if its temperature decreases, but this may reduce battery life. It is recommended that the battery be cooled in a well-ventilated location away from direct sunlight before charging it. |
| Battery usage time is short even though the battery is fully charged.                     | The battery's life is depleted.   | Replace the battery with a new one.   |
| The battery takes a long time to charge.  | The temperature of the battery, the charger, or the surrounding environment is extremely low. | Charge the battery indoors or in another warmer environment.  |
|   | The charger's vents are blocked, causing its internal components to overheat.                 | Avoid blocking the vents.   |
|   | The cooling fan is not running.   | Contact a HiKOKI Authorized Service Center for repairs.   |

## 一般安全規則

### ⚠ 警告

閱讀所有安全警告說明

未遵守警告與說明可能導致電擊、火災或其他嚴重傷害。

請妥善保存本使用說明書，以供未來參考之用。

「電動工具」一詞在警告中，係指電源操作（有線）之電動工具或電池操作（無線）之電動工具。

#### 1) 工作場所安全

- a) 保持工作場所清潔及明亮。  
雜亂或昏暗的區域容易發生意外。
- b) 勿在易產生爆炸之環境中操作，譬如有易燃液體、瓦斯或粉塵存在之處。  
電動工具產生火花會引燃粉塵或煙氣。
- c) 當操作電動工具時，確保兒童及過往人員遠離。  
分神會讓您失去控制。

#### 2) 電氣安全

- a) 電動工具插頭必須與插座配合，絕不可以任何方法修改插頭，且不得使用任何轉接插頭於有接地之電動工具。  
不修改插頭及所結合之插座，可減少電擊。
- b) 避免身體接觸到地面，諸如管子、散熱器、爐灶及冰箱。  
如果您的身體接地或觸地，會增加電擊的危險。
- c) 勿讓電動工具淋雨或曝露在潮濕的環境下。  
電動工具進水會增加電擊的危險。
- d) 勿濫用電源線。請勿使用電源線去纏繞、拖拉電動工具或拔插頭，保持電源線遠離熱氣、油氣、尖角或可動零件。  
損壞或纏繞的電源線會增加電擊之危險。
- e) 電動工具在室外操作時，請務必使用適合室外的延長線。  
使用合適之室外用延長線會減少電擊的危險。
- f) 若無法避免在潮濕地區操作電動工具，請使用以漏電斷路器 (RCD) 來保護電源。  
使用 RCD，可降低觸電危險。

#### 3) 人員安全

- a) 保持機警，注意您正在做什麼，並運用正確常識操作電動工具。  
當你感到疲勞或受藥品、酒精或醫療影響時，請勿操作電動工具。  
操作中瞬間的不注意，可能造成人員嚴重的傷害。

- b) 使用個人防護裝備，經常配戴安全眼鏡。  
配戴防塵口罩、防滑安全鞋、硬帽等防護裝備，或在適當情況下使用聽覺防護，可減少人員傷害。
  - c) 防止意外發生。在連接電源或電池組、拿起或攜帶工具前，請確認開關是在「off」（關閉）的位置。  
以手指放在開關握持電動工具，或在電動工具的開關於“on”的狀況下插上插頭，都會導致意外發生。
  - d) 在電動工具啟動前，先卸下任何調整用鑰匙或扳手。  
扳手或鑰匙遺留在電動工具的轉動部位時，可能導致人員傷害。
  - e) 身體勿過度伸張，任何時間要保持站穩及平衡。  
以便在不預期的狀態下，能對電動工具有較好的控制。
  - f) 衣著要合宜，別穿太鬆的衣服或戴首飾。  
保持你的頭髮、衣服及手套遠離轉動部位。  
寬鬆的衣服、手飾及長髮會被捲入轉動部位。
  - g) 如果裝置要用於粉塵抽取及集塵設施，要確保其連接及正當使用。  
使用集塵裝置可減少與灰塵相關的危險。
  - h) 請勿因頻繁使用本工具，熟悉操作而忽略本工具的安全原則。  
粗心的行動有可能瞬間即造成嚴重傷害。
- #### 4) 電動工具之使用及注意事項
- a) 勿強力使用電動工具，使用正確之電動工具為您所需。  
正確使用電動工具，會依其設計條件，使工作做得更好更安全。
  - b) 如果開關不能轉至開或關的位置，勿使用電動工具。  
任何電動工具不能被開關所控制是危險的，必須要修理。
  - c) 進行任何調整、更換配件或收存電動工具時，必須將插頭與電源分開，且需將電池組從電動工具中取出。  
此種預防安全措施，可減少意外開啟電動工具之危險。
  - d) 收存停用之電動工具，需遠離兒童，且不容許不熟悉電動工具或未瞭解操作電動工具說明的人操作電動工具。  
在未受過訓練的人手裡，電動工具極為危險。
  - e) 保養電動工具，檢查是否可動零件有錯誤的結合或卡住、零件破裂及可能影響電動工具操作的任何其他情形。  
電動工具如果損壞，在使用前要修好。  
許多意外皆肇因於不良的保養。

- f) 保持切割工具銳利清潔。  
適當的保養切割工具，保持銳利之切割鋒口，可減少卡住並容易控制。
  - g) 按照說明書使用電動工具、配件及刀具時，必須考量工作條件及所執行之工作。  
若未依照這些使用說明操作電動工具時，可能造成相關之危害情況。
  - h) 保持把手和握持面乾燥、清潔，且未沾到油脂和潤滑油。  
滑溜的把手和握持面在操作時會有安全上的問題，且可能造成本工具意外失去控制。
- 5) 電池式電動工具的使用及注意事項
- a) 需再充電時，僅能使用製造商指定的充電器。  
因充電器僅適合同一型式的電池組，若使用任何其它電池組時，將導致起火的危險。
  - b) 使用電動工具時，僅能使用按照其特性設計的電池組。  
因使用其它任何電池組時，將導致人員傷害及起火的危險。
  - c) 當電池組不再使用時，需保存好並遠離其它的金屬物件，例如：迴紋針、錢幣、鑰匙、圖釘、螺釘，或類似能造成端子與端子間連接的其它較小金屬物件。  
因電池組端子間短路時，將導致燃燒或起火的危險。
  - d) 在誤用情況下，電解液可能自電池中噴出；請避免接觸。當發生意外接觸時，請用清水沖洗。若電解液觸及眼睛時，請儘速尋求醫療協助。因自電池中噴出的電解液，將導致灼傷或刺激皮膚。
  - e) 請勿使用損壞或改造的電池組或電動工具。  
損壞或改造的電池可能會發生不可預知的行為，進而導致火災、爆炸或受傷的風險。
  - f) 請勿使電池組或電動工具接觸到火源或處於溫度過高的地方。  
接觸火源或溫度超過 130°C 可能會引起爆炸。
  - g) 請遵循所有充電指示，並且不要在說明書指定的溫度範圍之外為電池組或電動工具充電。  
充電不當或溫度超出指定範圍可能會損壞電池並增加火災的風險。
- 6) 維修
- a) 讓您的電動工具由合格修理人員僅使用相同的維修零件更換。  
如此可確保電動工具的安全得以維持。
  - b) 切勿對損壞的電池組進行維修。  
電池組的維修只能由製造商或授權服務維修店進行。

## 注意事項

不可讓孩童和體弱人士靠近工作場所。  
應將不使用的工具存放在孩童和體弱人士伸手不及的地方。

## 電動線鋸機安全警告

1. 進行切割配件可能接觸到暗線或工具纜線的 \ 操作時，請握著電動工具的絕緣手柄表面。  
「通電」電線的切割配件可能使電動工具的金屬零件「通電」，而造成操作人員觸電。
2. 通過夾具或其他實用方式將工件固定並支撐在穩定的平台上。將工件用手握住或靠住身體會使其不穩定從而可能導致失控。

## 附加安全警告

1. 給電池充電時溫度必須為 0°C - 40°C。溫度低於 0°C 會導致過度充電，這是很危險的。不能在溫度高於 40°C 時給電池充電。  
最合適的充電溫度是 20°C - 25°C。
2. 請勿連續使用充電器。  
完成一次充電後，將充電器放置約 15 分鐘後才能再次給電池充電。
3. 勿讓雜質進入充電電池連接口內。
4. 切勿拆卸充電電池與充電器。
5. 切勿使充電電池短路。  
電池短路將會造成很大的電流和過熱，從而燒壞電池。
6. 請勿將電池丟入火中。電池受熱會爆炸。
7. 充電後電池壽命若太短不夠使用，請儘快將電池送往經銷店。不可將用過的電池丟棄。
8. 請勿將異物插入充電器的通風口。若將金屬異物或易燃物插入通風口，將引起觸電事故或使充電器受損。
9. 連續使用本機時，鋸鑽可能出現過熱而導致馬達和開關損壞。因此，無論何時，當外殼變熱時，請讓鋸片稍停一會。
10. 如果以低速連續使用機器，會對馬達施加額外負載，從而導致馬達卡住。在操作電動工具的過程中，應使鋸片全程不被材料卡住。全程調整鋸片速度以實現滑順的切割。
11. 準備並檢查作業環境。確保作業現場滿足安全注意事項中所述的所有條件。
12. 確保電池安裝牢固。如果有鬆動，可能會脫落而造成事故。
13. 操作中產生的粉塵  
正常操作時產生的粉塵可能影響操作員的健康。建議採用以下任一方式。

a) 戴上防塵面具

b) 使用外部集塵設備（可選配件）（圖 21）

使用外部集塵設備時，用外部集塵設備的軟管連接適配器。

14. 使用過程中，請勿接觸工具的金屬部分。
15. 更換鋸片
  - 更換鋸片時，務必關閉電源並將電池與本體斷開。
  - 活塞在移動時請勿開啟槓桿。(圖 4)
  - 確保鋸片的突出部位插入鋸刀架中。(圖 4)
  - 確認鋸片位於軋輓的溝槽之間。(圖 4)
16. 未使用時，務必將解鎖按鈕推至鎖定位置。
17. 在鋸割木材時使用碎片防護罩可減少鋸割面的碎片。
  - 將碎片防護罩插入底座上的空間中，然後將其推到底。
18. 碎片防護蓋
  - 碎片防護蓋可防止碎片飛散並提高集塵效率。
  - 在鋸割金屬時，碎片防護蓋上可能會結霜。
19. 為防止鋸片移位、損壞或活塞過度磨損，請在鋸切時確保將底板面安裝至工件上。
20. 在低速時不要鋸割厚度超過 10 公釐的木材或厚度超過 1 公釐的金屬。
21. 為在使用導架時確保精確切割(圖 16)，請隨時將軌道位置設為“0”。
22. 曲線切鋸
  - 切鋸小圓弧形時，降低機器的進給速度。如果機器的進給速度太快，可能會導致鋸片損壞。
23. 圓形切鋸時必須確保鋸片大致與底座的下表面垂直。
24. 使用除塵器時無法進行角度切割。
25. 連接清潔器(另售)
  - 通過集塵器與適配器(另售)連接清潔器，可收集大部分粉塵。
26. 在鋸割金屬材料時，請使用合適的切削液(錠子油、肥皂水等)以延長鋸片的使用壽命。(圖 17)並以中速鋸割材料。
27. 在除木材以外的材料上鋸割窗孔時，首先用鑽頭或類似工具鑽一個孔，然後從此處開始鋸割。(圖 18)
28. 不要修理或固定開關鎖。此外，將工具隨身攜帶時，請保持手指遠離開關扳柄。否則，可能因無意開啟主體開關而導致意外事故。
29. 不要直視光而使眼睛直接暴露於光下。使眼睛持續暴露於光下會致其受傷。
30. 切勿觸摸移動部位。
  - 切勿將手、手指或身體其他部位靠近工具的移動部位。
31. 防護裝置未到位時切勿操作。
  - 所有防護裝置及安全裝置未就位且運行正常時，切勿操作本工具。如果在進行維護或維修時需要取下防護裝置或安全裝置，請務必將防護裝置或安全裝置歸位後再恢復工具操作。
32. 切勿在無人照看的情況下讓工具運行 關閉電源。
  - 在工具完全停止之前請勿離開。
33. 請勿在易爆環境中(如存在可燃物液體、氣體或粉塵時)操作電動工具。電動線鋸機會產生可點燃粉塵或煙霧的火花。
34. 本電動工具配備有溫度保護電路以保護馬達。連續作業可能會造成工具的溫度上升，啟動溫度保護電路並自動停止操作。如果發生這種情況，請在恢復使用前讓電動工具冷卻。
35. 如果工具或電池端子(電池座)變形，請勿使用本產品。
  - 安裝電池可能會造成短路，從而導致冒煙或起火。
36. 保持工具的端子(電池座)沒有削屑和灰塵。
  - 使用前請確認端子區域沒有堆積削屑和灰塵。
  - 使用過程中盡量避免工具上的削屑或灰塵掉落在電池上。
  - 暫停操作或使用後，請勿將工具留在可能暴露於有掉落削屑或灰塵的區域。
  - 否則可能會造成短路，從而導致冒煙或起火。

## 鋰離子電池使用注意事項

為延長使用壽命，鋰離子電池備配停止輸出的保護功能。

若是在使用本產品時發生下列 1 至 3 的情況，即使按下開關，馬達也可能停止。這並非故障，而是啟動保護功能的結果。

1. 在殘留的電池電力即將耗盡時，馬達會停止。
  - 在這種情況下，請立即予以充電。
2. 若工具超過負荷，馬達亦可能停止。在這種情況下，請鬆開工具的開關，試著消除超過負荷的原因。之後您就可以再度使用。
3. 若電池在過載工作情況下過熱，電池電力可能會中止。
  - 在這種情況下，請停止使用電池，讓電池冷卻。
  - 之後您就可以再度使用。

此外，請留心下列的警告及注意事項。

### 警告

為事先防止電池發生滲漏、發熱、冒煙、爆炸及起火等事故，請確保留意下列事項。

1. 確保電池上沒有堆積削屑及灰塵。
  - 在工作時確定削屑及灰塵沒有掉落在電池上。
  - 確定所有工作時掉落在電動工具上的削屑和灰塵沒有堆積在電池上。
  - 請勿將未使用的電池存放在曝露於削屑和灰塵的位置。
  - 在存放電池之前，請清除任何可能附著在上面的削屑和灰塵，並請切勿將它與金屬零件(螺絲、釘子等)存放在一起。
2. 請勿以釘子等利器刺穿電池、以鐵錘敲打、踩踏、丟擲電池，或將其劇烈撞擊。

## 中國語

3. 切勿使用明顯損壞或變形的電池。
4. 使用電池時請勿顛倒電極。
5. 請勿直接連接電源插座或汽車點煙器孔座。
6. 請依規定方式使用電池，切勿移作他用。
7. 如果已過了再充電時間，電池仍無法完成充電，請立即停止繼續充電。
8. 請勿將電池放置於高溫或高壓處，例如微波爐、烘乾機或高壓容器內。
9. 發現有滲漏或異味時，請立即將電池遠離火源處。
10. 請勿在會產生強烈靜電的地方使用。
11. 如電池出現滲漏、異味、發熱、褪色或變形，或在使用、充電或存放時出現任何異常，請立即將它從裝備或電池充電器拆下，並停止使用。
12. 請勿將電池浸入任何液體，或讓任何液體流入電池內。若水等具有導性的液體滲入，可能會造成損壞，進而導致火災或爆炸。將電池存放在陰涼、乾燥的地方，遠離可燃及易燃物品。必須避免腐蝕性氣體環境。

### 注意

1. 若電池滲漏出的液體進入您的眼睛，請勿搓揉眼睛，並以自來水等乾淨清水充分沖洗，立刻送醫。若不加以處理，液體可能會導致眼睛不適。
2. 若液體滲漏至您的皮膚或衣物，請立即以自來水等清水沖洗。  
上述情況可能會使皮膚受到刺激。
3. 若初次使用電池時發現生鏽、異味、過熱、褪色、變形及／或其他異常情況時，請勿使用並將該電池退還給供應商或廠商。

### 警告

若具有導電性的異物進入鋰離子電池的端子，可能會造成短路，進而引發火災。請在存放電池時遵循以下事項。

- 請勿將導電物品，如鐵釘、鐵絲等金屬絲，銅線和電線放入儲存箱內。
- 為了防止發生短路，將電池裝入工具內或確實壓下電池蓋儲存電池，直至遮住通風孔為止。

## 關於鋰離子電池的運輸

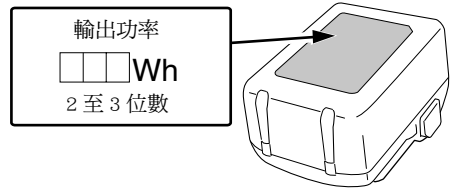
運輸鋰離子電池時，請遵守以下注意事項。

### 警告

安排運輸時，請通知運輸公司包裹中含有鋰離子電池，告知該電池之輸出功率，並按照運輸公司的指示。

- 輸出功率超過 100 Wh 的鋰離子電池被視為貨物分類中的危險物品，將需要特殊的申請程序。
- 對於國外的運輸，必須遵守國際法規則和目的國法規。

- 如果 BSL36B18 安裝在電動工具中，則功率輸出將超過 100 Wh，且本機將被歸類為貨運分類的危險貨物。



## 零件名稱 (圖 1 - 圖 21)

|          |          |                 |
|----------|----------|-----------------|
| ① 開關     | ⑬ 底座     | ⑲ 活塞            |
| ② 止動器    | ⑭ 六角棒形扳手 | ⑳ 鋸刀架           |
| ③ 鎖定按鈕   | ⑮ 電池     | ㉑ 底座螺栓          |
| ④ 撥盤     | ⑯ 握把     | ㉒ 碎屑防護罩         |
| ⑤ LED燈   | ⑰ 馬達     | ㉓ 副底座<br>(可選配件) |
| ⑥ 槓桿     | ⑱ 銘牌     | ㉔ 碎片防護蓋         |
| ⑦ 鋸片     | ⑲ 卡樺     | ㉕ 電池電量指示開關      |
| ⑧ 導軌     | ⑳ 充電指示燈  | ㉖ 電池電量指示燈       |
| ⑨ 更換旋鈕   |          | ㉗ 導架<br>(可選配件)  |
| ⑩ 座板     |          | ㉘ 木螺絲 / 釘子      |
| ⑪ 底座     |          | ㉙ 注油器           |
| ⑫ 六角棒形扳手 |          | ㉚ ▽ 標誌          |
| ⑬ 電池     |          | ㉛ 半圓形部分         |
| ⑭ 握把     |          | ㉜ 量尺            |
| ⑮ 馬達     |          | ㉝ 集塵器<br>(可選配件) |
| ⑯ 銘牌     |          | ㉞ 凹口            |
| ⑰ 卡樺     |          | ㉟ 適配器<br>(可選配件) |
| ⑱ 充電指示燈  |          |                 |

# 符號

## 警告

以下為使用於本機器的符號。請確保您在使用前明白其意義。

|  |              |
|--|--------------|
|  | CJ36DA: 線鋸機  |
|  | 使用前請詳讀使用說明書。 |
|  | 直流電流         |
|  | 額定電壓         |
|  | 無負荷速度        |
|  | 重量           |
|  | 開關ON         |
|  | 開關OFF        |
|  | 將鎖切換至「開」位置   |
|  | 取出電池         |
|  | 鎖定           |
|  | 解鎖           |
|  | 木材           |
|  | 金屬           |
|  | 不銹鋼          |
|  | 警告           |
|  | 禁止操作         |

## 電池

|  |   |
|--|---|
|  | 亮起：<br>電池剩餘電量超過 75%。                      |
|  | 亮起：<br>電池剩餘電量為 50% - 75%。                 |
|  | 亮起：<br>電池剩餘電量為 25% - 50%。                 |
|  | 亮起：<br>電池剩餘電量少於 25%。                      |
|  | 閃爍：<br>電池剩餘電量幾近零。請盡快進行充電。                 |
|  | 閃爍：<br>由於高溫導致輸出被暫停。從工具中取出電池，並使其完全冷卻。      |
|  | 閃爍：<br>由於故障或機能失常導致輸出被暫停。問題可能是電池，請聯繫您的經銷商。 |

## 標準附件

除了主機身(1 台)以外，包裝盒內包含第 30 頁所列之附件。

標準附件可能不預先通告而徑予更改。

## 用途

- 切鋸各種木材和槽孔切割
- 切鋸軟鋼板、鋁板和銅板
- 切鋸合成樹脂，如酚醛樹脂和氯乙烯
- 切鋸薄軟的建築材料
- 切鋸不銹鋼板（使用 No. 97 鋸片）



- (2) 關於充電電池的溫度和充電時間  
溫度和充電時間如表 2 中所示。

表 2

| 充電器 |                    | UC18YSL3   |  |  |  |  |   |
|-----|--------------------|------------|--|--|--|--|---|
| 電池  | 電池類型               | Li-ion     |  |  |  |  |   |
|     | 電池可充電的溫度           | 0°C - 50°C |  |  |  |  |   |
|     | 充電電壓               | V          | 14.4   |  | 18   |  |   |
|     | 充電時間，<br>約（於 20°C） | 分鐘         | BSL14xx 系列   |  | BSL18xx 系列   |  | 多伏特系列   |
|     |                    |            | (4 個電池芯)   | (8 個電池芯)   | (5 個電池芯)   | (10 個電池芯)  | (10 個電池芯)   |
|     |                    |            | BSL1415S: 15<br>BSL1415 : 15<br>BSL1415X: 15<br>BSL1420 : 20<br>BSL1425 : 25<br>BSL1430C: 30 | BSL1430 : 20<br>BSL1440 : 26<br>BSL1450 : 32<br>BSL1460 : 38 | BSL1815S: 15<br>BSL1815 : 15<br>BSL1815X: 15<br>BSL1820 : 20<br>BSL1825 : 25<br>BSL1830C: 30 | BSL1830 : 20<br>BSL1840 : 26<br>BSL1850 : 32<br>BSL1860 : 38 | BSL36A18 : 32<br>BSL36A18X : 32<br>BSL36B18 : 52<br>BSL36B18X : 52<br>BSL36C18 : 20 |

註：

根據環境溫度和電源電壓，充電時間可能會有所不同。

4. 將充電器的電源線從插座拔下。

注意

5. 拿穩充電器並取出電池。

註：

充電結束後，務必從充電器取出電池，然後妥善存放。

- 電池因長時間放置在直射陽光處遭到日曬或剛使用後會發熱，若在此時進行充電，充電器的信號燈會亮起 0.3 秒，非亮起 0.3 秒（熄滅 0.3 秒）。此時您必須先待電池冷卻，再進行充電。

- 充電信號燈快速閃爍時（間隔時間為 0.2 秒），請檢查充電器的電池連接處是否有異物並加以清除。若沒有異物，則表示電池或充電器可能發生故障，請將其送往當地授權服務中心。

- 由於 UC18YSL3 內置微電腦需要約 3 秒的時間確認進行充電的電池已被取出，請等待至少 3 秒後再將電池重新插入繼續充電。如果電池在 3 秒之內重新插入，電池可能無法正常充電。

使用新電池或其他電池，產生電量較弱的問題時。

由於新電池及長時間未使用之電池的內部化學物質未活化，因此初次及第二次使用時的電量會較弱。此為暫時現象；在充電 2 至 3 次後，電量就會恢復正常。

怎樣讓電池使用時間更長。

- (1) 在電池電量完全耗盡之前給電池充電。

在感覺工具的動力變弱時，停止使用工具並為電池充電。如果繼續使用工具消耗電流，可能會造成對電池的損壞，電池使用壽命會縮短。

- (2) 避免在高溫下充電。

充電電池在剛使用後會發熱。如果在電池剛使用後為電池充電，電池的內部化學物質的性能會下降，電池使用壽命會縮短。請先將電池放置一會兒，待電池冷卻後再進行充電。



## 鋸片的選擇

### 附件鋸片

為確保最高的作業效率和成果，按照被切鋸的材料類型和材料厚度選擇最合適的鋸片非常重要。每個鋸片的架設部位附近刻有鋸片編號。

### HiKOKI 充電式工具電池重要注意事項

請務必使用本公司所指定的原廠電池。若未使用本公司所指定的電池，或使用經拆解及改裝的電池（例如，拆解後更換電池芯或其他內部零件），則本公司無法保證充電式工具的性能及操作安全。

## 維護和檢查

### 注意

進行維修和檢查之前，務必要關閉開關，並取出電池。

#### 1. 檢查鋸片

持續使用鈍化或損壞的鋸片將導致切割效率降低，並可能導致馬達超載。當您發現鋸片已過度磨損時，請盡快更換新的鋸片。

#### 2. 檢查安裝螺釘

要經常檢查安裝螺釘是否緊固妥善。若發現螺釘鬆了，應立即重新扭緊，否則會導致嚴重的事故。

#### 3. 電動機的維護

電動機繞線是電動工具的心臟部。應仔細檢查有無損傷，是否被油液或水沾濕。

#### 4. 端子的檢查（工具和電池）

檢查以確保端子上沒有堆積削屑和灰塵。  
有時於操作前、操作期間和操作後檢查。

### 注意

去除任何可能已堆積在端子上的削屑或灰塵。  
否則可能會導致故障。

#### 5. 清理外部

電動工具髒汙時，請使用乾淨軟布或沾肥皂水的布擦拭。切勿使用氯溶液、汽油或稀釋劑，以免塑膠部分溶化。

#### 6. 收藏

電動工具應收藏於溫度低於 40°C 而為小孩拿不到的地方。

### 註：

存放鋰離子電池

存放鋰離子電池前，確保其已完全充電。

電池在低電力的狀態下長期存放（3 個月以上），可能會導致性能劣化，電池的使用時間顯著降低或無法再進行充電。

然而，反覆將電池充電和暫停充電二至五次，可能會改善電池使用時間的顯著降低情況。

### 注意

在操作和維修電動工具中，必須遵守各國的安全規則和標準規定。

### 註：

為求改進，本手冊所載規格可能不預先通告而經予更改。

## 疑難排解



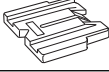
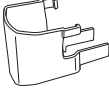


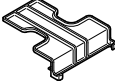
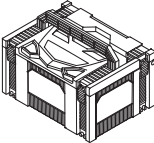
若電動工具無法正常運作，請參閱下表的檢查項目。若問題仍無法解決，請洽當地經銷商或 HiKOKI 所認可的維修中心。

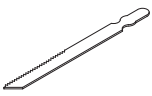
### 1. 電動工具

| 情況                   | 可能原因                   | 解決方法  |
|----------------------|------------------------|---|
| 工具無法運轉               | 無剩餘電池電量                | 為電池充電。  |
|                      | 電池未安裝牢固。               | 推動電池直至聽到咔嚓一聲。                                       |
| 工具突然停止               | 工具負擔過重                 | 除去造成工具負擔過重的問題。<br>在操作過程中，減輕施加的壓力。                   |
|                      | 電池或工具過熱                | 使工具和電池徹底冷卻。   |
| 鋸片<br>- 無法安裝<br>- 脫落 | 安裝部位的形狀不相配             | 使用適合的鋸片<br>(請參閱「選擇附件」)                              |
|                      | 槓桿開啟。                  | 關閉槓桿。   |
|                      | 鋸刀架中有異物。               | 除去異物。   |
| 開關無法拉動               | 鎖定按鈕被推入                | 釋放鎖定按鈕。   |
| 拉動扳機開關時產生異常尖銳的噪音。    | 扳機開關僅被稍微拉動。            | 這不是故障。<br>充分拉動扳機開關就不會產生該噪音。                         |
| 鋸片磨損太快。              | 行程數太快                  | 將撥盤設置切換為低於當前值。<br>(鋸割不銹鋼板時切換至低速模式)<br>(請參閱「調整運作速度」) |
|                      | 切割金屬材料時未使用適合的機油        | 使用機油(渦輪機油等)   |
|                      | 操作過程中施加的壓力太大           | 在操作過程中，減輕施加的壓力。                                     |
| 無法正確切割。              | 鋸片不適合要切割的材料的品質和厚度      | 使用適合的鋸片<br>(請參閱「選擇附件」)                              |
|                      | 速度和軌道位置不適合要切割的材質的品質及厚度 | 設定適當的速度和軌道位置<br>(請參閱「調整運作速度」)                       |
|                      | 鋸片磨損、劣化或損壞             | 將鋸片換新。  |
| 電池無法安裝               | 試圖安裝非該工具所指定的電池。        | 請安裝多伏特型電池。  |

## 2. 充電器

| 情況                    | 可能原因                  | 解決方法   |
|-----------------------|-----------------------|--|
| 充電指示燈迅速閃爍紫色，且電池不開始充電。 | 電池未完全插入。              | 牢固地插入電池。   |
|                       | 電池端子內或電池安裝處有異物。       | 移除異物。  |
| 充電指示燈閃爍紅色，且電池不開始充電。   | 電池未完全插入。              | 牢固地插入電池。   |
|                       | 電池過熱。                 | 若放著不管，當電池溫度降低後就會自動開始充電，但這可能會縮短電池的壽命。建議在充電前將電池放在遠離陽光直射且通風良好的位置進行冷卻。 |
| 即使電池已充滿電，電池的使用時間仍然很短。 | 電池壽命已耗盡。              | 更換新的電池。  |
| 電池的充電時間很長。            | 電池、充電器或周圍環境的溫度非常低。    | 在室內或其他較溫暖的環境進行電池的充電。   |
|                       | 充電器的通風口被堵塞，造成其內部組件過熱。 | 避免堵塞通風口。   |
|                       | 冷卻風扇未運轉。              | 聯繫 HiKOKI 授權服務中心以進行修理。   |

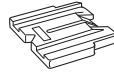
|  | CJ36DA  |       |      |
|--|---------|-------|------|
|  | (2XCPZ) | (NNP) | (NN) |
| <br>No. 41    | 1       | 1     | 1    |
|               | 1       | 1     | 1    |
|               | 1       | 1     | 1    |
|               | 1       | 1     | 1    |
| <br>BSL36A18X | 2       | —     | —    |
| <br>UC18YSL3  | 1       | —     | —    |
|               | 2       | —     | —    |
|              | 1       | 1     | —    |



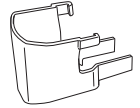
|    |        |
|----|--------|
| 41 | 879357 |
| 97 | 963400 |



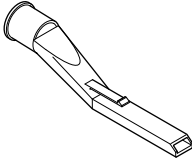
944458



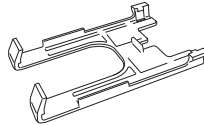
338997



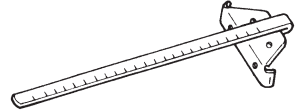
338996



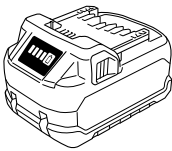
370492



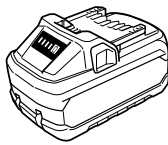
339018



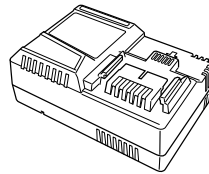
879391



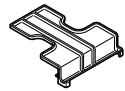
BSL36A18X



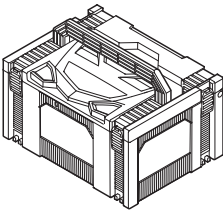
BSL36B18X



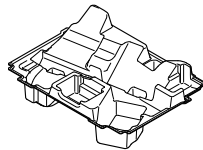
UC18YSL3 (14,4 V - 18 V)



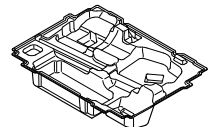
329897



337108



375861



375869

臺灣總代理：

明峯永業股份有限公司

電話：**(02) 2792 - 0123**

地址：臺北市內湖區新湖二路211號

網址：**<https://www.hikoki-powertools.com.tw>**

服務信箱：**[service@powertools.com.tw](mailto:service@powertools.com.tw)**

# Koki Holdings Co., Ltd.