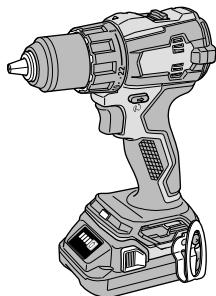


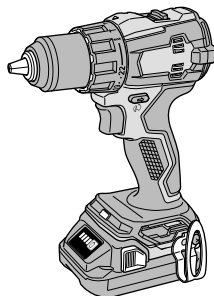
Model  
Modèle  
Modelo

**DS 18DEX**  
**DV 18DEX**

**Cordless Driver Drill**  
**Perceuse-visseuse sans fil**  
**Taladro atornillador inalámbrico**  
**Cordless Hammer Drill**  
**Perceuse à percussion sans fil**  
**Taladro de percusión inalámbrico**



DS18DEX



DV18DEX

## SAFETY INSTRUCTIONS AND INSTRUCTION MANUAL

### **⚠ WARNING**

**IMPROPER OR UNSAFE** use of this power tool can result in death or serious bodily injury!  
This manual contains important information about product safety. Please read and understand this manual before operating the power tool. Please keep this manual available for other users and owners before they use the power tool. This manual should be stored in safe place.

## INSTRUCTIONS DE SECURITE ET MODE D'EMPLOI

### **⚠ AVERTISSEMENT**

Une utilisation **INCORRECTE OU DANGEREUSE** de cet outil motorisé peut entraîner la mort ou de sérieuses blessures corporelles!

Ce mode d'emploi contient d'importantes informations à propos de la sécurité de ce produit. Prière de lire et de comprendre ce mode d'emploi **AVANT** d'utiliser l'outil motorisé. Garder ce mode d'emploi à la disponibilité des autres utilisateurs et propriétaires avant qu'ils utilisent l'outil motorisé. Ce mode d'emploi doit être conservé dans un endroit sûr.

## INSTRUCCIONES DE SEGURIDAD Y MANUAL DE INSTRUCCIONES

### **⚠ ADVERTENCIA**

¡La utilización **INAPROPIADA O PELIGROSA** de esta herramienta eléctrica puede resultar en lesiones de gravedad o la muerte!

Este manual contiene información importante sobre la seguridad del producto. Lea y comprenda este manual **ANTES** de utilizar la herramienta eléctrica. Guarde este manual para que puedan leerlo otras personas antes de utilizar la herramienta eléctrica. Este manual debe ser guardado en un lugar seguro.

---

## IMPORTANT SAFETY INFORMATION

---

Read and understand all of the safety precautions, warnings and operating instructions in the Instruction Manual before operating or maintaining this power tool.

Most accidents that result from power tool operation and maintenance are caused by the failure to observe basic safety rules or precautions. An accident can often be avoided by recognizing a potentially hazardous situation before it occurs, and by observing appropriate safety procedures.

Basic safety precautions are outlined in the "SAFETY" section of this Instruction Manual and in the sections which contain the operation and maintenance instructions.

Hazards that must be avoided to prevent bodily injury or machine damage are identified by WARNINGS on the power tool and in this Instruction Manual.

**NEVER** use this power tool in a manner that has not been specifically recommended by metabo HPT.

---

## MEANINGS OF SIGNAL WORDS

---

**WARNING** indicates a potentially hazardous situations which, if ignored, could result in death or serious injury.

**CAUTION** indicates a potentially hazardous situations which, if not avoided, may result in minor or moderate injury, or may cause machine damage.

**NOTE** emphasizes essential information.

# SAFETY

---

## GENERAL POWER TOOL SAFETY WARNINGS

---

### WARNING

**Read all safety warnings, instructions, illustrations and specifications provided with this power tool.**

Failure to follow all instructions listed below may result in electric shock, fire and/or serious injury.

**Save all warnings and instructions for future reference.**

The term "power tool" in the warnings refers to your mains-operated (corded) power tool or battery-operated (cordless) power tool.

#### 1) Work area safety

- a) **Keep work area clean and well lit.**  
Cluttered or dark areas invite accidents.
- b) **Do not operate power tools in explosive atmospheres, such as in the presence of flammable liquids, gases or dust.**  
Power tools create sparks which may ignite the dust or fumes.
- c) **Keep children and bystanders away while operating a power tool.**  
Distractions can cause you to lose control.

#### 2) Electrical safety

- a) **Power tool plugs must match the outlet.**  
**Never modify the plug in any way.**  
**Do not use any adapter plugs with earthed (grounded) power tools.**  
Unmodified plugs and matching outlets will reduce risk of electric shock.
- b) **Avoid body contact with earthed or grounded surfaces, such as pipes, radiators, ranges and refrigerators.**
- c) **Do not expose power tools to rain or wet conditions.**  
Water entering a power tool will increase the risk of electric shock.
- d) **Do not abuse the cord. Never use the cord for carrying, pulling or unplugging the power tool.**  
**Keep cord away from heat, oil, sharp edges or moving parts.**  
Damaged or entangled cords increase the risk of electric shock.
- e) **When operating a power tool outdoors, use an extension cord suitable for outdoor use.**  
Use of a cord suitable for outdoor use reduces the risk of electric shock.
- f) **If operating a power tool in a damp location is unavoidable, use a residual current device (RCD) protected supply.**  
Use of an RCD reduces the risk of electric shock.

- 3) **Personal safety**
- a) **Stay alert, watch what you are doing and use common sense when operating a power tool. Do not use a power tool while you are tired or under the influence of drugs, alcohol or medication.**  
A moment of inattention while operating power tools may result in serious personal injury.
- b) **Use personal protective equipment. Always wear eye protection.**  
Protective equipment such as a dust mask, non-skid safety shoes, hard hat, or hearing protection used for appropriate conditions will reduce personal injuries.
- c) **Prevent unintentional starting. Ensure the switch is in the off-position before connecting to power source and/or battery pack, picking up or carrying the tool.**  
Carrying power tools with your finger on the switch or energising power tools that have the switch on invites accidents.
- d) **Remove any adjusting key or wrench before turning the power tool on.**  
A wrench or a key left attached to a rotating part of the power tool may result in personal injury.
- e) **Do not overreach. Keep proper footing and balance at all times.**  
This enables better control of the power tool in unexpected situations.
- f) **Dress properly. Do not wear loose clothing or jewellery. Keep your hair and clothing away from moving parts.**  
Loose clothes, jewellery or long hair can be caught in moving parts.
- g) **If devices are provided for the connection of dust extraction and collection facilities, ensure these are connected and properly used.**  
Use of dust collection can reduce dust-related hazards.
- h) **Do not let familiarity gained from frequent use of tools allow you to become complacent and ignore tool safety principles.**  
A careless action can cause severe injury within a fraction of a second.
- 4) **Power tool use and care**
- a) **Do not force the power tool. Use the correct power tool for your application.**  
The correct power tool will do the job better and safer at the rate for which it was designed.
- b) **Do not use the power tool if the switch does not turn it on and off.**  
Any power tool that cannot be controlled with the switch is dangerous and must be repaired.
- c) **Disconnect the plug from the power source and/or remove the battery pack, if detachable, from the power tool before making any adjustments, changing accessories, or storing power tools.**  
Such preventive safety measures reduce the risk of starting the power tool accidentally.
- d) **Store idle power tools out of the reach of children and do not allow persons unfamiliar with the power tool or these instructions to operate the power tool.**  
Power tools are dangerous in the hands of untrained users.
- e) **Maintain power tools and accessories. Check for misalignment or binding of moving parts, breakage of parts and any other condition that may affect the power tool's operation. If damaged, have the power tool repaired before use.**  
Many accidents are caused by poorly maintained power tools.
- f) **Keep cutting tools sharp and clean.**  
Properly maintained cutting tools with sharp cutting edges are less likely to bind and are easier to control.
- g) **Use the power tool, accessories and tool bits etc. in accordance with these instructions, taking into account the working conditions and the work to be performed.**  
Use of the power tool for operations different from those intended could result in a hazardous situation.
- h) **Keep handles and grasping surfaces dry, clean and free from oil and grease.**  
Slippery handles and grasping surfaces do not allow for safe handling and control of the tool in unexpected situations.
- 5) **Battery tool use and care**
- a) **Recharge only with the charger specified by the manufacturer.**  
A charger that is suitable for one type of battery pack may create a risk of fire when used with another battery pack.
- b) **Use power tools only with specifically designated battery packs.**  
Use of any other battery packs may create a risk of injury and fire.
- c) **When battery pack is not in use, keep it away from other metal objects, like paper clips, coins, keys, nails, screws or other small metal objects, that can make a connection from one terminal to another.**  
Shorting the battery terminals together may cause burns or a fire.

- d) **Under abusive conditions, liquid may be ejected from the battery; avoid contact. If contact accidentally occurs, flush with water. If liquid contacts eyes, additionally seek medical help.**

Liquid ejected from the battery may cause irritation or burns.

- e) **Do not use a battery pack or tool that is damaged or modified.**

Damaged or modified batteries may exhibit unpredictable behaviour resulting in fire, explosion or risk of injury.

- f) **Do not expose a battery pack or tool to fire or excessive temperature.**

Exposure to fire or temperature above 265 °F may cause explosion.

- g) **Follow all charging instructions and do not charge the battery pack or tool outside the temperature range specified in the instructions.**

Charging improperly or at temperatures outside the specified range may damage the battery and increase the risk of fire.

## 6) Service

- a) **Have your power tool serviced by a qualified repair person using only identical replacement parts.**

This will ensure that the safety of the power tool is maintained.

- b) **Never service damaged battery packs.**

Service of battery packs should only be performed by the manufacturer or authorized service providers.

## – WARNING –

To reduce the risk of injury, user must read instruction manual.

## SPECIFIC SAFETY RULES AND SYMBOLS

1. **Always wear ear protectors when using the tool for extended periods.**



Prolonged exposure to high intensity noise can cause hearing loss.

2. **Use auxiliary handle(s)**

Loss of control can cause personal injury.

3. **Hold the power tool by insulated gripping surfaces, when performing an operation where the cutting accessory or fasteners may contact hidden wiring.**

Cutting accessory or fasteners contacting a “live” wire may make exposed metal parts of the power tool “live” and could give the operator an electric shock.

4. Make sure to securely hold the tool during operation. Failure to do so can result in accidents or injuries. (Fig. 1)

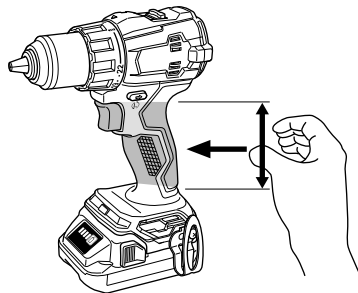


Fig. 1

5. Never place hands or other body parts near the drill bit or chuck during operation. Hold the drill by its handle only.

6. Because the cordless tool operates by battery power, be aware of the fact that it can begin to operate at any time.

7. When working at elevated locations, clear the area of all other people and be aware of conditions below you.

8. **Never touch moving parts.**

- Never place your hands, fingers or other body parts near the tool's moving parts.

9. **Never operate without all guards in place.**

- Never operate this tool without all guards or safety features in place and in proper working order. If maintenance or servicing requires the removal of a guard or safety feature, be sure to replace the guard or safety feature before resuming operation of the tool.

10. **Use right tool.**

- Don't force small tool or attachment to do the job of a heavy-duty tool.

- Don't use tool for purpose not intended —for example— don't use circular saw for cutting tree limbs or logs.

11. **Never use a power tool for applications other than those specified.**

- Never use a power tool for applications other than those specified in the instruction manual.

12. **Handle tool correctly.**

- Operate the tool according to the instructions provided herein. Do not drop or throw the tool. Never allow the tool to be operated by children, individuals unfamiliar with its operation or unauthorized personnel.

13. **Keep all screws, bolts and covers tightly in place.**

- Keep all screws, bolts, and plates tightly mounted. Check their condition periodically.

14. **Do not use power tools if the plastic housing or handle is cracked.**

Cracks in the tool's housing or handle can lead to electric shock. Such tools should not be used until repaired.

15. **Accessories must be securely mounted to the tool.**

Prevent potential injuries to yourself or others. Accessories which have been mounted to the tool should be secure and tight.

16. **Never use a tool which is defective or operating abnormally.**

If the tool appears to be operating unusually, making strange noises, or otherwise appears defective, stop using it immediately and arrange for repairs by a metabo HPT authorized service center.

17. **Carefully handle power tools.**

Should a power tool be dropped or struck against hard materials inadvertently, it may be deformed, cracked, or damaged.

18. **Do not wipe plastic parts with solvent.**

Solvents such as gasoline, thinner benzene, carbon tetrachloride, and alcohol may damage and crack plastic parts. Do not wipe them with such solvents.

Wipe plastic parts with a soft cloth lightly dampened with soapy water and dry thoroughly.

19. Always wear eye protection that meets the requirement of the latest revision of ANSI Standard Z87.1.



20. Because the cordless power tool operates by battery power, be aware of the fact that it can begin to operate at any time.

21. When working at elevated locations, clear the area of other people and aware of conditions below you.

22. Do not use the product if the tool or the battery terminals (battery mount) are deformed.

Installing the battery could cause a short circuit that could result in smoke emission or ignition.

23. Keep the tool's terminals (battery mount) free of swarf and dust.

- Prior to use, make sure that swarf and dust have not collected in the area of the terminals.

- During use, try to avoid swarf or dust on the tool from falling on the battery.

- When suspending operation or after use, do not leave the tool in an area where it may be exposed to falling swarf or dust.

24. Doing so could cause a short circuit that could result in smoke emission or ignition.

25. Always use the tool and battery at temperatures between 23°F (-5°C) and 104°F (40°C).

26. Definitions for symbols used on this tool

V ..... volts

== ..... direct current

No ..... no load speed

--/min.... revolutions or reciprocation per minute

## IMPORTANT SAFETY INSTRUCTIONS FOR BATTERY CHARGER

### WARNING

**Death or serious bodily injury could result from improper or unsafe use of battery chargers. To avoid these risks, follow these basic safety instructions:**

### READ ALL INSTRUCTIONS

1. This manual contains important safety and operating instructions for battery charger Model UC18YKSL.

2. Before using battery charger, read all instructions and cautionary markings on (1) battery charger, (2) battery, and (3) product using battery.

3. To reduce risk of injury, charge metabo HPT rechargeable battery types BSL18 series and multi volt series. Other models of batteries may burst causing personal injury and damage.

4. Use of an attachment not recommended or sold by the battery charger manufacturer may result in a risk of fire, electric shock, or injury to persons.

5. To reduce risk of damage to electric plug and cord, pull by plug when disconnecting battery charger.

6. Make sure cord is located so that it will not be stepped on, tripped over, or otherwise subjected to damage or stress.

7. An extension cord should not be used unless absolutely necessary. Use of improper extension cord could result in a risk of fire and electric shock.

If extension cord must be used make sure:

- a. That blades of extension cord are the same number, size, and shape as those of plug on battery charger:

- b. That extension cord is properly wired and in good electrical condition; and

- c. That wire size is large enough for AC ampere rating of battery charger as specified in Table 1.

Table 1  
RECOMMENDED MINIMUM AWG SIZE FOR  
EXTENSION CORDS FOR BATTERY CHARGERS

AC Input Rating Amperes*		AWG Size of Cord			
Equal to or greater than	but less than	Length of Cord, Feet (Meter)			
		25 (7.5)	50 (15)	100 (30)	150 (45)
0	2	18	18	18	16
2	3	18	18	16	14
3	4	18	18	16	14

\* If the input rating of a battery charger is given in watts rather than in amperes, the corresponding ampere rating is to be determined by dividing the wattage rating by the voltage rating—for example:

$$\frac{1,250 \text{ watts}}{125 \text{ volts}} = 10 \text{ amperes}$$

8. Do not operate battery charger with damaged cord or plug—replace them immediately.
9. Do not operate battery charger if it has received a sharp blow, been dropped, or otherwise damaged in any way; take it to a qualified serviceman.
10. Do not disassemble battery charger; take it to a qualified serviceman when service or repair is required. Incorrect reassembly may result in a risk of electric shock or fire.
11. To reduce risk of electric shock, unplug charger from receptacle before attempting any maintenance or cleaning. Removing the battery will not reduce this risk.

### IMPORTANT SAFETY INSTRUCTIONS FOR USE OF THE BATTERY AND BATTERY CHARGER

You must charge the battery before you can use the power tool. Before using the model UC18YKSL battery charger, be sure to read all instructions and cautionary statements on it, the battery and in this manual.

**⚠ CAUTION**  
**USE ONLY metabo HPT BATTERIES. OTHER MODELS OF BATTERIES MAY BURST AND CAUSE INJURY!**

Follow these instructions to avoid the risk of injury:

**⚠ WARNING:** Improper use of the battery or battery charger can lead to serious injury. To avoid these injuries:

1. **NEVER** disassemble the battery.
2. **NEVER** incinerate the battery, even if it is damaged or is completely worn out. The battery can explode in a fire.
3. **NEVER** short-circuit the battery.
4. **NEVER** insert any objects into the battery charger's air vents. Electric shock or damage to the battery charger may result.
5. **NEVER** charge outdoors. Keep the battery away from direct sunlight and use only where there is low humidity and good ventilation.
6. **NEVER** charge when the temperature is below 32°F (0°C) or above 104°F (40°C).
7. **NEVER** connect two battery chargers together.
8. **NEVER** insert foreign objects into the hole for the battery or the battery charger.
9. **NEVER** use a booster transformer when charging.
10. **NEVER** use an engine generator or DC power to charge.
11. **NEVER** store the battery or battery charger in places where the temperature may reach or exceed 104°F (40°C) such as inside metal box or car.
12. **NEVER** expose the battery or battery charger to rain or wet conditions.
13. **ALWAYS** operate charger on standard household electrical power (120 volts). Using the charger on any other voltage may overheat and damage the charger.
14. **ALWAYS** wait at least 15 minutes between charges to avoid overheating the charger.
15. **ALWAYS** disconnect the power cord from its receptacle when the charger is not in use.

### CAUTION ON LITHIUM-ION BATTERY

To extend the lifetime, the lithium-ion battery equips with the protection function to stop the output.

In the cases of 1 to 3 described below, when using this product, even if you are pulling the switch, the motor may stop. This is not the trouble but the result of protection function.

1. When the battery power remaining runs out, the motor stops.  
In such case, charge it up immediately.

2. If the tool is overloaded, the motor may stop. In this case, release the switch of tool and eliminate causes of overloading. After that, you can use it again.
3. If the battery is overheated under overload work, the battery power may stop.  
In this case, stop using the battery and let the battery cool. After that, you can use it again.

Furthermore, please heed the following warning and caution.

### **⚠ WARNING**

In order to prevent any battery leakage, heat generation, smoke emission, explosion and ignition beforehand, please be sure to heed the following precautions.

1. Make sure that swarf and dust do not collect on the battery.
  - During work make sure that swarf and dust do not fall on the battery.
  - Make sure that any swarf and dust falling on the power tool during work do not collect on the battery.
  - Do not store an unused battery in a location exposed to swarf and dust.
  - Before storing a battery, remove any swarf and dust that may adhere to it and do not store it together with metal parts (screws, nails, etc.).
2. Do not pierce battery with a sharp object such as a nail, strike with a hammer, step on, throw or subject the battery to severe physical shock.
3. Do not use an apparently damaged or deformed battery.
4. Do not use the battery for a purpose other than those specified.
5. If the battery charging fails to complete even when a specified recharging time has elapsed, immediately stop further recharging.
6. Do not put or subject the battery to high temperatures or high pressure such as into a microwave oven, dryer, or high pressure container.
7. Keep away from fire immediately when leakage or foul odor are detected.
8. Do not use in a location where strong static electricity generates.
9. If there is battery leakage, foul odor, heat generated, discolored or deformed, or in any way appears abnormal during use, recharging or storage, immediately remove it from the equipment or battery charger, and stop use.
10. Do not immerse the battery or allow any fluids to flow inside. Conductive liquid ingress, such as water, can cause damage resulting in fire or explosion. Store your battery in a cool, dry place, away from combustible and flammable items. Corrosive gas atmospheres must be avoided.

### **⚠ CAUTION**

1. If liquid leaking from the battery gets into your eyes, do not rub your eyes and wash them well with fresh clean water such as tap water and contact a doctor immediately.  
If left untreated, the liquid may cause eye-problems.
2. If liquid leaks onto your skin or clothes, wash well with clean water such as tap water immediately.  
There is a possibility that this can cause skin irritation.
3. If you find rust, foul odor, overheating, discolor, deformation, and/or other irregularities when using the battery for the first time, do not use and return it to your supplier or vendor.

### **⚠ WARNING**

If an electrically conductive foreign object enters the terminals of the lithium ion battery, a short-circuit may occur resulting in the risk of fire. Please observe the following matters when storing the battery.

- **Do not place electrically conductive cuttings, nails, steel wire, copper wire or other wire in the storage case.**
- **Either install the battery in the power tool or store by securely pressing into the battery cover until the ventilation holes are concealed to prevent short-circuits (See Fig. 4).**

## **REGARDING LITHIUM-ION BATTERY TRANSPORTATION**

When transporting a lithium-ion battery, please observe the following precautions.

### **⚠ WARNING**

**Notify the transporting company that a package contains a lithium-ion battery, inform the company of its power output and follow the instructions of the transportation company when arranging transport.**

- **Lithium-ion batteries that exceed a power output of 100 Wh are considered to be in the freight classification of Dangerous Goods and will require special application procedures.**
- **For transportation abroad, you must comply with international law and the rules and regulations of the destination country.**

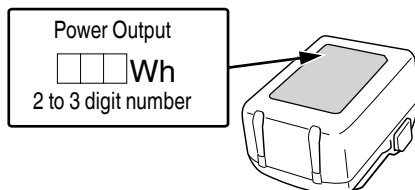


Fig. 2

**SAVE THESE INSTRUCTIONS  
AND  
MAKE THEM AVAILABLE TO OTHER USERS  
AND  
OWNERS OF THIS TOOL!**



## FUNCTIONAL DESCRIPTION

### NOTE

The information contained in this Instruction Manual is designed to assist you in the safe operation and maintenance of the power tool.

**NEVER** operate, or attempt any maintenance on the tool unless you have first read and understood all safety instructions contained in this manual.

Some illustrations in this Instruction Manual may show details or attachments that differ from those on your own power tool.

### NAME OF PARTS

#### 1. Cordless Driver Drill / Cordless Hammer Drill

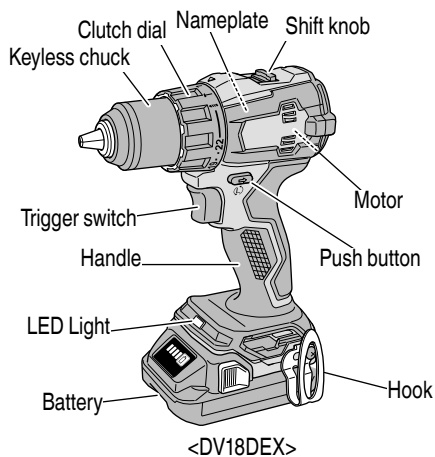
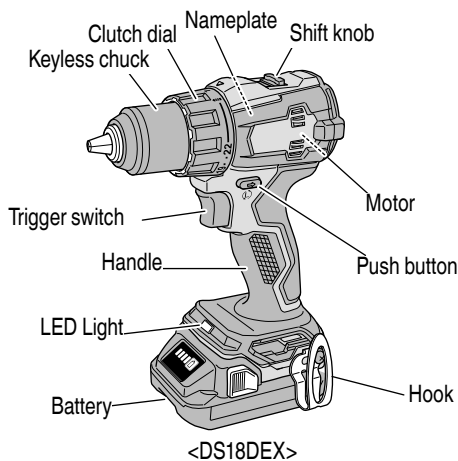
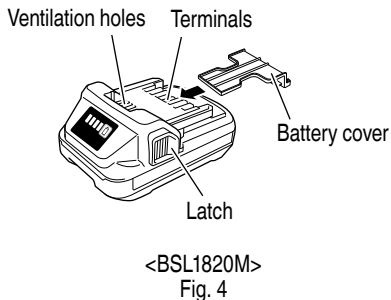
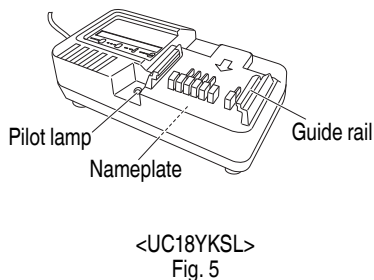


Fig. 3

#### 2. Battery



#### 3. Battery Charger



## SPECIFICATIONS

### 1. Cordless Driver Drill / Cordless Hammer Drill

Model		DS18DEX	DV18DEX	
Motor		DC brushless motor		
No-load speed	Low	0–550 /min		
	High	0–2,000 /min		
Impact rate	Low	————	0–8,250 /min	
	High	————	0–30,000 /min	
Capacity	Drilling	Brick*1	————	1/2 in. (13 mm)
		Wood*1 (Soft Wood)	2 in. (52 mm)	
		Metal*1 (Mild Steel)	1/2 in. (13 mm)	
	Screw Driver	Wood screw	3/8 in. x 4 in. (10 mm x 100 mm)	
Small screw		1/4 in. (6 mm)		
Drill chuck capacity		Maximum gripping diameter 1/2 in. (13 mm)		
Battery	Model	BSL1820M		
	Type	Li-ion battery		
	Voltage	DC 18 V		
Weight		3.5 lbs. (1.6 kg) (BSL 1820M attached)		

- \*1 Brick: Depth 1–1/4 in. (30 mm),  
 Wood: Thickness 1–1/2 in. (38 mm)  
 Metal: Thickness 1/16 in. (1.6 mm)

### 2. Battery Charger

Model	UC18YKSL
Input power source	Single phase: AC 120 V 60 Hz
Charging time (At a temperature of 68°F (20°C))	BSL1820M : Approx. 60 min
Charging voltage	DC 14.4–18 V
Charging current	DC 2.0 A
Weight	0.8 lbs. (0.35 kg)

**NOTE:** The charging time may vary according to temperature and power source voltage.

# ASSEMBLY AND OPERATION

## APPLICATIONS

<DV18DEX>

- Use as a hammer drill  
Drilling of soft bricks and concrete blocks.

<DS18DEX / DV18DEX>

- Use as a drill  
Drilling of soft steel, wood, plastic and aluminum materials.
- Use as a screwdriver  
Tightening and loosening of machine screws, wood screws and tapping screws.

## REMOVAL AND INSTALLATION METHOD OF BATTERY

- How to install the battery.  
Align the battery with the groove in tool handle and slip it into place.  
Always insert it all the way until it locks in place with a little click. If not, it may accidentally fall out of the tool, causing injury to you or someone around you (Fig. 6).
- How to remove the battery.  
Withdraw battery from the tool handle while pressing the latch (2 pcs) of the battery (Fig. 6).

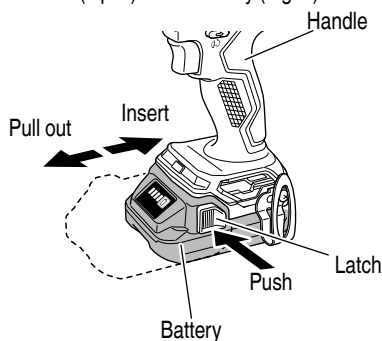


Fig. 6

## CHARGING METHOD

### NOTE

Before plugging into the receptacle, make sure the following points.

- The power source voltage is stated on the nameplate.
- The cord is not damaged.

### ⚠ WARNING

Do not charge at voltage higher than indicated on the nameplate.

If charged at voltage higher than indicated on the nameplate, the charger will burn out.

1. Connect the charger's power cord to a receptacle.  
When the power cord is connected, the charger's pilot lamp will blink in red. (At 1-second intervals)



### ⚠ WARNING

Do not use the electrical cord if damaged. Have it repaired immediately.

2. Insert the battery to the battery charger.  
Insert the battery into the battery charger as shown in Fig. 7. Make sure it contacts the bottom of the battery charger.

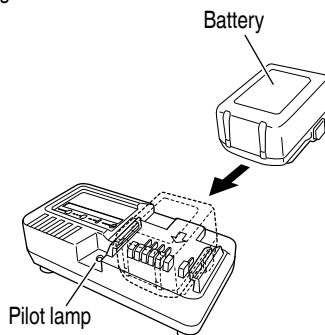


Fig. 7






3. Charging
  - When the battery is connected to the battery charger, charging will commence and the pilot lamp will light in red. (See Table 2)

### NOTE

If the pilot lamp does not light or blink in red, pull out the plug from the receptacle and check if the battery is properly mounted.

- When the battery is fully charged, the pilot lamp will blink in red slowly. (At 1-second intervals) (See Table 2)
- (1) Pilot lamp indication  
The indications of the pilot lamp will be as shown in Table 2, according to the condition of the charger or the rechargeable battery.

Table 2

Indications of the pilot lamp (RED)		
Before charging	ON/OFF at 0.5 sec. intervals 	Plugged into power source
While charging	Lights continuously 	—
Charging complete	ON/OFF at 0.5 sec. intervals 	—
Overheat standby	Lights for 1 sec. at intervals of 0.5 sec. 	Battery overheated. Unable to charge.*
Charging impossible	ON/OFF at 0.1 sec. intervals 	Malfunction in the battery or the charger

- \* Charging will commence when battery cools
- (2) Regarding the temperature of the rechargeable battery.  
The temperatures for rechargeable batteries are as shown in the Table 3, and batteries that have become hot should be cooled for a while before being recharged.

Table 3 Recharging ranges of batteries

Rechargeable batteries	Temperatures at which the battery can be recharged
BSL1820M	32°F–122°F (0°C–50°C)

- (3) Regarding recharging time (At 68°F (20°C))

Table 4 Charging time

Battery	Charger
BSL1820M	UC18YKSL Approx. 60 min

**NOTE**

The charging time may vary according to temperature and power source voltage.

- 4. Disconnect battery charger from the receptacle.

**⚠ CAUTION**  
**Do not pull the plug out of the receptacle by pulling on the cord.**  
**Make sure to grasp the plug when removing from receptacle to avoid damaging cord.**

- 5. Remove the battery from the battery charger. Supporting the battery charger with hand, pull out the battery from the battery charger.

**NOTE**

Be sure to pull out the battery from the battery charger after use, and then keep it.

**Regarding electric discharge in case of new batteries, etc.**

As the internal chemical substance of new batteries and batteries that have not been used for an extended period is not activated, the electric discharge might be low when using them the first and second time. This is a temporary phenomenon, and normal time required for recharging will be restored by recharging the batteries 2–3 times.

**How to make the batteries perform longer.**

- (1) Recharge the batteries before they become completely exhausted.  
When you feel that the power of the tool becomes weaker, stop using the tool and recharge its battery. If you continue to use the tool and exhaust the electric current, the battery may be damaged and its life will become shorter.
- (2) Avoid recharging at high temperatures.  
A rechargeable battery will be hot immediately after use. If such a battery is recharged immediately after use, its internal chemical substance will deteriorate, and the battery life will be shortened. Leave the battery and recharge it after it has cooled for a while.

**⚠ CAUTION**

- **When the battery charger has been continuously used, the battery charger will be heated, thus constituting the cause of the failures. Once the charging has been completed, give 15 minutes rest until the next charging.**
- **If the battery is charged while it is heated because it has been left for a long time in a location subject to direct sunlight or because the battery has just been used, the pilot lamp of the charger lights for 1 second, does not light for 0.5 seconds (off for 0.5 seconds). The battery will not be recharged. In such a case, let the battery cool before charging.**

- When the pilot lamp flickers (at 0.2-second intervals), check for and take out any foreign objects in the charger's battery connector. If there are no foreign objects, it is probable that the battery or charger is malfunctioning. Take it to your authorized Service Center.

## BEFORE USE

Check the work area to make sure that it is clear of debris and clutter.

Clear the area of unnecessary personnel. Ensure that lighting and ventilation is adequate.

## OPERATION

1. Mounting and dismounting of the bit.

- (1) Mounting the bit.

Loosen the sleeve by turning it toward the left (in the counterclockwise direction as viewed from the front) to open the clip on the keyless chuck. After inserting a driver bit, etc., into the keyless drill chuck, and tighten the sleeve by turning it toward the right (in the clockwise direction as viewed from the front). (See Fig. 8).

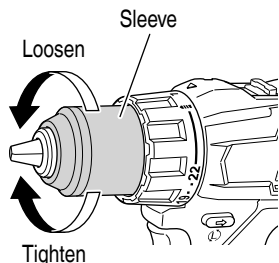


Fig. 8

### ⚠ CAUTION

When mounting a bit into the keyless chuck, tighten firmly. If the sleeve is not tight, the bit may slip or fall out, causing injury.

### NOTE

If the sleeve becomes loose during operation, tighten it further.

The tightening force becomes stronger when the sleeve is tightened.

- (2) Dismounting the bit

Loosen the sleeve by turning it toward the left (in the counterclockwise direction as viewed from the front), and then take out the bit etc. (See Fig. 8)

### NOTE

- If the sleeve is tightened in a state where the clip of the keyless chuck is opened to a maximum limit, a click noise may occur. This is the noise that occurs when the loosening of the keyless chuck is prevented and is not a malfunction.
  - When it is no longer possible to loosen the sleeve, use a vise or similar instrument to secure the bit. Set the clutch mode between 1 and 11 and then turn the sleeve to the loose side (left side) while operating the clutch. It should be easy now to loosen the sleeve.
2. Confirm that the battery is mounted correctly.
  3. Check the rotational direction.
 

The bit rotates clockwise (viewed from the rear side) by pushing the R-side of the push button. The L-side of the push button is pushed to turn the bit counterclockwise (See Fig. 9). (The (L) and (R) marks are provided on the body.)

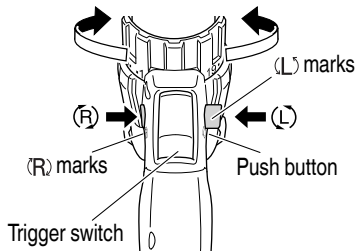


Fig. 9

### ⚠ CAUTION

The push button can not be switched while the power tool is turning. To switch the push button, stop the power tool, then set the push button.

4. Change rotation speed.

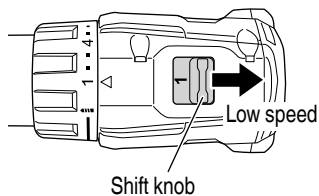


Fig. 10

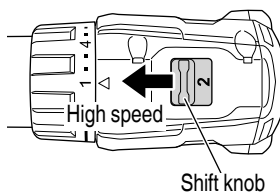


Fig. 11

Operate the shift knob to change the rotational speed. Move the shift knob in the direction of the arrow (See Figs. 10 and 11).

When the shift knob is set to “1”, the drill rotates at a low speed. When set to “2”, the drill rotates at a high speed.

**⚠ CAUTION**

- When changing the rotational speed with the shift knob, confirm that the switch is off. Changing the speed while the motor is rotating will damage the gears.

- When a large force is required for operation (operations indicated in the following chart) set the shift knob to “1”. If “2” is set and the unit is used, it may cause the motor to burn out or malfunction prematurely.

- The scope and suggestions for uses  
The usable scope for various types of work based on the mechanical structure of this unit is shown in Table 5.

Table 5

Work		Cap position	Suggestions
Drilling	Brick (DV18DEX)		Use for drilling purpose.
	Wood		Use for drilling purpose.
	Steel		
	Aluminum		
Screw tightening	Small screw	1-22	Use the bit and socket matching the screw diameter.
	Wood screw	1-	Use after drilling a pilot hole.

- Confirm the clutch dial position (See Fig. 12).

<DS18DEX>

The tightening torque of this unit can be adjusted according to the clutch dial position, at which the clutch dial is set.

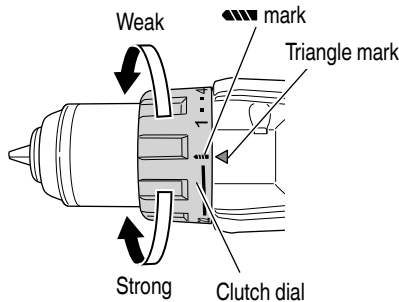


Fig. 12

- When using this unit as a screwdriver, line up the one of the numbers “1, 4, 7 ... 22” on the clutch dial, or the dot, with the triangle mark on the outer body.
- When using this unit as a drill, line up the clutch dial drill mark “” with the triangle mark on the outer body.

**⚠ CAUTION**

- The clutch dial cannot be set between the numbers “1, 4, 7 ... 22” or the dot.
- Do not use with the clutch dial set at the line between the number “22” and the drill mark “”. Doing so may cause damage (See Fig. 13).

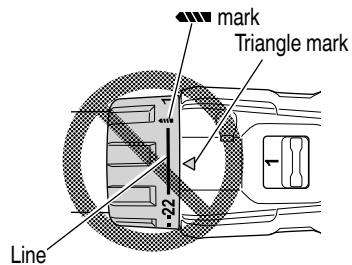




Fig. 13

<DV18DEX> (Fig. 14)

The three modes of screwdriver, drill and hammer drill can be switched by the position of the clutch dial in this unit.

- When using this unit as a screwdriver, line up the one of the numbers “1, 4, 7 ... 22” on the clutch dial, or the dot, with the triangle mark on the outer body.

- (2) When using this unit as a drill, line up the clutch dial drill mark “” with the triangle mark on the outer body.
- (3) When using this unit as a hammer drill, align the clutch dial hammer mark “” with the triangle mark on the outer body.

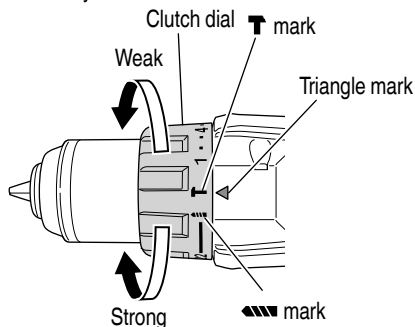


Fig. 14

**⚠ CAUTION**

- The clutch dial cannot be set between the number “1, 4, 7 ... 22” or the dot.
- Do not use with the clutch dial number at “22” and the line at the middle of the drill mark. Doing so may cause damage. (See Fig. 15)

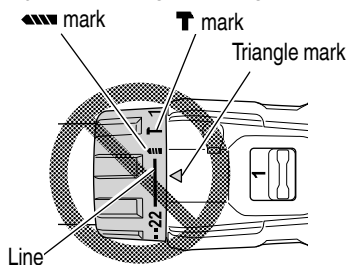
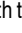



Fig. 15

- 7. Rotation to Hammer changeover (DV18DEX)  
The “Rotation (Rotation only)” and “Hammer (Hammer + Rotation)” can be switched by aligning the drill mark “” or the hammer mark “” with the triangle mark on the outer body.
  - To make holes in the metal, wood or plastic, switch to “Rotation (Rotation only)”.
  - To make holes in the bricks or concrete blocks, switch to “Hammer (Hammer + Rotation)”.

**⚠ CAUTION**

Do not use the Cordless hammer drill in the “Hammer” setting if the material can be bored by rotation only. Such action will not only reduce drill efficiency, but may also damage the drill tip.

- 8. Tightening torque adjustment.
  - (1) Tightening torque  
Tightening torque should correspond in its intensity to the screw diameter. When too strong power is used, the screw head may be broken or be injured. Be sure to adjust the clutch dial position according to the screw diameter. Refer to Table 6 for the clutch dial position tightening torques.
  - (2) Tightening torque indication (See Figs. 12 and 14)  
The tightening torque differs depending on the type of screw and the material being tightened. The unit indicates the tightening torque with the numbers “1, 4, 7 ... 22” on the clutch dial, and a dot. The tightening torque at position “1” is the weakest and the torque is strongest at the highest number.
  - (3) Adjusting the tightening torque (See Figs. 12 and 14)  
Rotate the clutch dial and line up the numbers “1, 4, 7, ... 22” on the clutch dial, or the dot, with the triangle mark on the outer body. Adjust the clutch dial in the weak or the strong torque direction according to the torque you need.

Table 6 Tightening torque

Clutch dial position	Tightening torque
1	Approximately 8.9 in.-lbs. (10.2 kg-cm)
4	Approximately 13.3 in.-lbs. (15.3 kg-cm)
7	Approximately 17.7 in.-lbs. (20.4 kg-cm)
10	Approximately 22.1 in.-lbs. (25.5 kg-cm)
13	Approximately 26.6 in.-lbs. (30.6 kg-cm)
16	Approximately 31.0 in.-lbs. (35.7 kg-cm)
19	Approximately 35.4 in.-lbs. (40.8 kg-cm)
22	Approximately 39.8 in.-lbs. (45.9 kg-cm)

- 9. Switch operation
  - When the trigger switch is depressed, the tool rotates. When the trigger is released, the tool stops. When releasing the trigger of the switch, the brake will be applied for immediate stopping.
  - The rotational speed of the drill can be controlled by varying the amount that the trigger switch is pulled. Speed is low when the trigger switch is pulled slightly and increases as the trigger switch is pulled more.

10. For drilling into brick (DV18DEX)  
Excessive pressing force never increases drilling speed. It will not only damage the drill tip or reduce working efficiency, but could also shorten the service life of drill bit. Operate the hammer drill within 10-20 kg pressing force while drilling into brick.

**⚠ CAUTION**

- The motor rotation may be locked to cease while the unit is used as drill. While operating the hammer drill, take care not to lock the motor.
- If the motor is locked, immediately turn the power off. If the motor is locked for a while, the motor or battery may be burnt.
- Too long hammering may cause the screw broken due to excessive tightening.

11. How to select rotational speed





**⚠ CAUTION**

- The selection examples shown in Table 7 should be considered as general standard. As different types of tightening screws and different materials to be tightened are used in actual works proper adjustments are naturally necessary.
- When using the driver drill/hammer drill with a machine screw at "2" (high speed), a screw may damage or a bit may loose due to the tightening torque is too strong. Use the driver drill/hammer drill at "1" (low speed) when using a machine screw.

**NOTE**

The use of the battery in a cold condition (below 0 degree Centigrade) can sometimes result in the weakened tightening torque and reduced amount of work. This, however, is a temporary phenomenon, and returns to normal when the battery warms up.

Table 7

Work		Cap Position	Rotating speed selection (Position of the shift knob)	
			"1" (Low speed)	"2" (High speed)
Screw tightening	Machine screw	1-22	For 1/4 in. (6 mm) or smaller diameter screws.	For 1/4 in. (6 mm) or smaller diameter screws.
	Wood screw	1- 	For #20 (10 mm) or smaller nominal diameter screws.	For #16 (6 mm) or smaller nominal diameter screws.
Drilling	Brick (DV18DEX)		For 1/2 in. (13 mm) or smaller diameters.	For 13/32 in. (10 mm) or smaller diameters.
	Wood		For 2 in. (52 mm) or smaller diameters.	For 1 in. (24 mm) or smaller diameters.
	Metal		—	For drilling with a metal working drill bit.










## 12. Remaining battery indicator

You can check the battery's remaining capacity by pressing the remaining battery indicator switch to light the indicator lamp. (Fig. 16, Table 8)

The indicator will shut off approximately 3 seconds after the remaining battery indicator switch is pressed. It is best to use the remaining battery indicator as a guide since there are slight differences such as ambient temperature and the condition of the battery. Also, the remaining battery indicator may vary from those equipped to a tool or charger.

Table 8

State of lamp	Battery Remaining Power
	Lights ; The battery remaining power is over 75%.
	Lights ; The battery remaining power is 50%–75%.
	Lights ; The battery remaining power is 25%–50%.
	Lights ; The battery remaining power is less than 25%.
	Blinks ; The battery remaining power is nearly empty. Recharge the battery soonest possible
	Blinks ; Output suspended due to high temperature. Remove the battery from the tool and allow it to fully cool down.
	Blinks ; Output suspended due to failure or malfunction. The problem may be the battery so please contact your dealer.

As the remaining battery indicator shows somewhat differently depending on ambient temperature and battery characteristics, read it as a reference.

Remaining battery indicator lamp      Remaining battery indicator switch

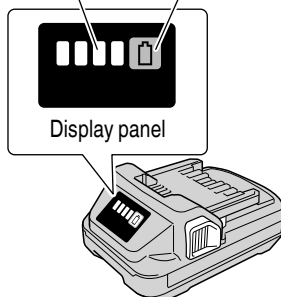


Fig. 16

### NOTE

Do not give a strong shock to the display panel or break it. It may lead to a trouble.

## 13. How to use the LED light

While the switch is pulled, the LED light will automatically light up the tip portion of the tool. (Fig. 17) The LED light will automatically turn off 10 seconds after the switch is released.

The LED light also functions as a warning signal that lights up during use. For details, see "16. LED light warning signals".

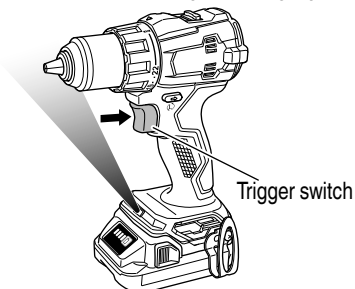


Fig. 17

### ⚠ CAUTION

- Do not expose directly your eye to the light by looking into the light. If your eye is continuously exposed to the light, your eye will be hurt.
- Wipe off any dirt or grime attached to the lens of the LED light with a soft cloth, being careful not to scratch the lens. Scratches on the lens of the LED light can result in decreased brightness.

14. Using the hook  
The hook is used to hang up the power tool to your waist belt while working.

**⚠ CAUTION**

- **When using the hook, hang up the power tool firmly not to drop accidentally. If the power tool is dropped, it may lead to an accident.**
- **When carrying the power tool with hooked to your waist belt, do not fit any bit to the tip of power tool. If the sharp bit such as drill is fitted to the power tool when carrying it with hooked to your waist belt, you will be injured.**
- **Install securely the hook. Unless the hook is securely installed, it may cause an injury while using.**

- (1) Removing the hook.  
Remove the screws fixing the hook with Philips screw driver. (Fig. 18)

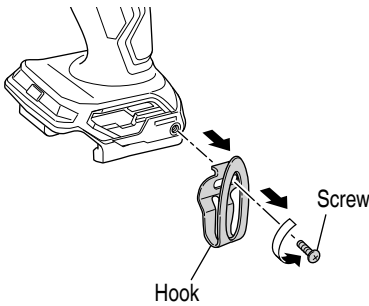


Fig. 18

- (2) Replacing the hook and tightening the screws.  
Install securely the hook in the groove of power tool and tighten the screws to fix the hook firmly. (Fig. 19)

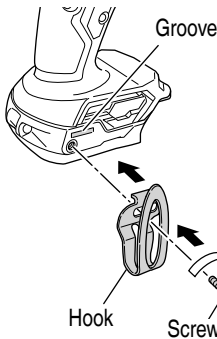


Fig. 19

15. Reactive force control  
This product features a reactive force control (RFC) to minimize the danger of twisting the operator's arms when tool itself suddenly jerks during operation. When the tool's built-in control detects a reactive force, it stops the motor's output before the entire tool jerks to lessen the twisting of the operator's arms. When this function activates, it will be indicated by the LED light blinking (0.1-second blinks/off 0.1 seconds). (Fig. 20)  
(See "16. LED light warning signals")  
However, as the function may not activate depending on situations or conditions during operation, so care should be taken to avoid any sudden overburdening of the tool bit when operating the tool.

- Possible causes of sudden overburdening
  - ① Tool bit biting into material
  - ② Impact against nails, metal or other hard objects
  - ③ Tasks involving prying or any excess application of pressure, etc.

Also, other causes include any combination of the aforementioned.

- When the reactive force control (RFC) is triggered  
When the RFC is triggered and the motor stops, turn off the tool's switch and remove the cause of the overburdening before continuing operation.

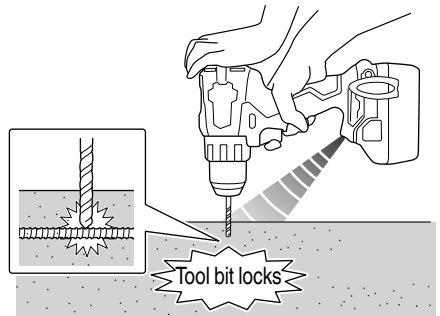


Fig. 20

16. LED light warning signals  
This product features functions that are designed to protect the tool itself as well as the battery. If any of the safeguard functions activate during operation, the LED light will blink as described in Table 9. When any of the safeguard functions are triggered, immediately remove your finger from the switch and follow the instructions described under corrective action.

Table 9

Safeguard Function	LED Light Display	Corrective Action
Overburden Protection	On 0.1 second/off 0.5 second ■ ■ ■ ■ ■ (rapid blinking) Blinks for	If the operating with the shift knob set on "2", adjust to "1" and continue operation. Remove the cause of the overburdening.
Reactive Force Control	approximately 3 seconds after the switch has been released.	Remove the cause of the overburdening. When operating the tool, firmly hold the tool to make sure it doesn't jerk.
Temperature Protection	On 0.5 second/Off 0.5 second ■■■ ■■■ ■■■ (slow blinking) Blinks while protection is in effect.	Allow the tool and battery to thoroughly cool.

## OPERATIONAL CAUTIONS

Resting the unit after continuous work

- (1) The power tool is equipped with a temperature protection circuit to protect the motor.  
Continuous bolt-tightening work may cause the temperature of the unit to rise, activating the temperature protection circuit and automatically stopping operation.  
If this happens, allow the power tool to cool before resuming use.
- (2) After use for continuous tightening wood screw works, rest the unit for 15 minutes or so when replacing the battery. The temperature of the motor, switch, etc., will rise if the work is started again immediately after battery replacement, eventually resulting in burnout.

## MAINTENANCE AND INSPECTION

### ⚠️ WARNING

**Pull out battery before doing any inspection or maintenance.**

1. Checking the condition of the bit  
The bits should be checked regularly. If worn or broken bits can slip or decrease the efficiency of the motor and burn it out.  
Replace worn bits with new ones.

### ⚠️ CAUTION

**If you use a driver bit of which point is worn or broken, it will be dangerous since it slips. So replace it with a new one.**

2. Check the Screws  
Loose screws are dangerous. Regularly inspect them and make sure they are tight.

### ⚠️ CAUTION

**Using this power tool with loosened, screws is extremely dangerous.**

3. Check for Dust  
Dust may be removed with a soft cloth or a cloth dampened with soapy water.  
Do not use bleach, chlorine, gasoline or thinner, for they may damage the plastics.
4. Inspection of terminals (tool and battery)  
Check to make sure that swarf and dust have not collected on the terminals.  
On occasion check prior, during and after operation.

### ⚠️ CAUTION

**Remove any swarf or dust which may have collected on the terminals.  
Failure to do so may result in malfunction.**

5. Disposal of the exhausted battery

### ⚠️ WARNING

**Do not dispose of the exhausted battery. The battery must explode if it is incinerated. The product that you have purchased contains a rechargeable battery. The battery is recyclable. At the end of its useful life, under various state and local laws, it may be illegal to dispose of this battery into the municipal waste stream. Check with your local solid waste officials for details in your area for recycling options or proper disposal.**

6. Storage

Store the power tool and battery in a place in which the temperature is less than 104°F (40°C) and out of reach of children.

### NOTE

Storing lithium-ion batteries

Make sure the lithium-ion batteries have been fully charged before storing them.

Prolonged storage (3 months or more) of batteries with a low charge may result in performance deterioration, significantly reducing battery usage time or rendering the batteries incapable of holding a charge.

However, significantly reduced battery usage time may be recovered by repeatedly charging and using the batteries two to five times.

If the battery usage time is extremely short despite repeated charging and use, consider the batteries dead and purchase new batteries.

7. Service and repairs

All quality power tools will eventually require servicing or replacement of parts because of wear from normal use. To assure that only authorized replacement parts will be used, all service and repairs must be performed by a metabo HPT AUTHORIZED SERVICE CENTER, ONLY.

### ⚠️ CAUTION

**In the operation and maintenance of power tools, the safety regulations and standards prescribed in each country must be observed.**

#### **Important notice on the batteries for the metabo HPT cordless power tools**

Please always use one of our designated genuine batteries. We cannot guarantee the safety and performance of our cordless power tool when used with batteries other than these designated by us, or when the battery is disassembled and modified (such as disassembly and replacement of cells or other internal parts).

## ACCESSORIES

### ⚠ WARNING

ALWAYS use Only authorized metabo HPT replacement parts and accessories. Never use replacement parts or accessories which are not intended for use with this tool. Contact metabo HPT if you are not sure whether it is safe to use a particular replacement part or accessory with your tool.

The use of any other attachment or accessory can be dangerous and could cause injury or mechanical damage.

### NOTE

Accessories are subject to change without any obligation on the part of the metabo HPT.

### STANDARD ACCESSORIES

<p>DS18DEX DV18DEX (2BGS)</p>	<div style="display: flex; flex-wrap: wrap; justify-content: space-around;"> <div style="text-align: center;"></div> <div style="text-align: center;"></div> <div style="text-align: center;"></div> <div style="text-align: center;"></div> <div style="text-align: center;"></div> <div style="text-align: center;"></div> </div> <p>           ① Phillips bit (No. 2 x 65L) (Code No. 983006) ..... 1            ② Battery (BSL1820M) ..... 1            ③ Battery Charger (UC18YKSL) ..... 1            ④ Battery Cover (Code No. 329897) ..... 1            ⑤ Bag (Code No. 375801M) ..... 1            ⑥ Hook ass'y (Code No. 379397) ..... 1         </p>
---------------------------------------	--

### OPTIONAL ACCESSORIES.....sold separately

- Battery (BSL1820M)

### NOTE

Specifications are subject to change without any obligation on the part of the metabo HPT.

## INFORMATIONS IMPORTANTES DE SÉCURITÉ

Lire et comprendre toutes les précautions de sécurité, les avertissements et les instructions de fonctionnement dans ce mode d'emploi avant d'utiliser ou d'entretenir cet outil motorisé.

La plupart des accidents causés lors de l'utilisation ou de l'entretien de l'outil motorisé proviennent d'un non respect des règles ou précautions de base de sécurité. Un accident peut la plupart du temps être évité si l'on reconnaît une situation de danger potentiel avant qu'elle ne se produise, et en observant les procédures de sécurité appropriées.

Les précautions de base de sécurité sont mises en évidence dans la section "SECURITE" de ce mode d'emploi et dans les sections qui contiennent les instructions de fonctionnement et d'entretien.

Les dangers qui doivent être évités pour prévenir des blessures corporelles ou un endommagement de la machine sont identifiés par AVERTISSEMENTS sur l'outil motorisé et dans ce mode d'emploi.

**NE JAMAIS** utiliser cet outil motorisé d'une manière qui n'est pas spécifiquement recommandée par metabo HPT.

## SIGNIFICATION DES MOTS D'AVERTISSEMENT

**AVERTISSEMENT** indique des situations potentiellement dangereuses qui, si elles sont ignorées, pourraient entraîner la mort ou de sérieuses blessures.

**PRECAUTION** indique des situations dangereuses potentielles qui, si elles ne sont pas évitées, peuvent entraîner de mineures et légères blessures ou endommager la machine.

**REMARQUE** met en relief des informations essentielles.

# SÉCURITÉ

## AVERTISSEMENTS DE SÉCURITÉ GÉNÉRAUX CONCERNANT LES OUTILS ÉLECTRIQUES

### AVERTISSEMENT

**Lire toutes les consignes de sécurité, instructions, illustrations et spécifications fournies avec le présent outil électrique.**

Le non-respect de toutes les instructions ci-dessous peut entraîner une décharge électrique, un incendie et/ou de graves blessures.

**Conservez tous les avertissements et toutes les instructions pour vous y référer ultérieurement.**

Le terme "outil électrique", utilisé dans les avertissements, se réfère aux outils électriques (câblé) ou aux outils à piles (sans fil).

#### 1) Sécurité de l'aire de travail

##### a) Maintenir l'aire de travail propre et bien éclairée.

Les endroits encombrés ou sombres sont propices aux accidents.

##### b) Ne pas utiliser d'outils électriques en présence de liquides, gaz ou poussière inflammables, au risque de provoquer une explosion.

Les outils électriques créent des étincelles susceptibles d'enflammer la poussière.

##### c) Ne pas laisser les enfants et les visiteurs s'approcher de vous lorsque vous utiliser un outil électrique.

Les distractions peuvent faire perdre le contrôle.

#### 2) Sécurité électrique

##### a) Les prises de l'outil électrique doivent correspondre à la prise secteur.

**Ne jamais modifier la prise.**

##### Ne pas utiliser d'adaptateurs avec les outils électriques mis à la masse.

Les prises non modifiées et les prises secteurs correspondantes réduisent les risques de choc électrique.

##### b) Éviter tout contact avec les surfaces mises à la masse, telles que les tuyaux, radiateurs, bandes et réfrigérateurs.

Le risque de choc électrique est accru en cas de mise à la masse du corps.

##### c) Ne pas exposer les outils électriques à la pluie ou à des conditions humides.

Si l'eau pénètre dans l'outil, cela augmente les risques de choc électrique.

##### d) Ne pas utiliser le cordon à tort. Ne jamais utiliser le cordon pour transporter ou débrancher l'outil électrique.

**Maintenir le cordon loin de la chaleur, de l'huile, des bords pointus ou des pièces mobiles.**

Les cordons endommagés ou usés augmentent les risques de choc électrique.

- e) **En cas d'utilisation d'un outil électrique à l'extérieur, utiliser un cordon de rallonge adapté à un usage extérieur.**  
L'utilisation d'un cordon adapté à l'usage extérieur réduit les risques de choc électrique.
- f) **Si vous devez utiliser un outil électrique dans un endroit humide, utilisez une alimentation protégée contre les courants résiduels.**  
L'utilisation d'un dispositif de protection contre les courants résiduels réduit le risque de choc électrique.
- 3) **Sécurité personnelle**
- a) **Restez alerte, regarder ce que vous faites et usez de votre bon sens en utilisant un outil électrique.**  
**Ne pas utiliser d'outil électrique si vous êtes sous l'influence de drogues, d'alcool ou de médicaments.**  
Pendant l'utilisation d'outils électrique, un instant d'inattention peut entraîner des blessures graves.
- b) **Utiliser un équipement de protection individuelle. Toujours porter des verres de protection.**  
L'utilisation d'équipements de protection tels que les masques anti-poussière, les chaussures de sécurité anti-dérapantes, les casques ou les protections auditives dans des conditions appropriées réduisent les risques de blessures.
- c) **Empêcher les démarrages intempestifs. Veiller à ce que l'interrupteur soit en position d'arrêt avant de brancher à une source d'alimentation et/ou une batterie, de ramasser l'outil au sol ou de le transporter.**  
Transporter les outils électriques avec le doigt sur l'interrupteur ou brancher les outils électriques avec l'interrupteur en position de marche peut entraîner des accidents.
- d) **Retirer toute clé de sécurité ou clé avant de mettre l'outil électrique en marche.**  
Laisser une clé ou une clé de sécurité sur une partie mobile de l'outil électrique peut engendrer des blessures.
- e) **Ne pas trop se pencher. Toujours garder une bonne assise et un bon équilibre pendant le travail.**  
Cela permet un meilleur contrôle de l'outil électrique dans des situations imprévisibles.
- f) **Porter des vêtements adéquats. Ne pas porter de vêtements amples ni de bijoux. Maintenir les cheveux et les vêtements loin des pièces mobiles.**

Les vêtements amples ou les cheveux longs peuvent se prendre dans les pièces mobiles.

- g) **En cas de dispositifs destinés au raccordement d'installations d'extraction et de recueil de la poussière, veiller à ce qu'ils soient correctement raccordés et utilisés.**  
L'utilisation d'un dispositif de collecte de la poussière peut réduire les dangers associés à la poussière.
- h) **Ne pas laisser la familiarité due à une utilisation fréquente des outils vous faire baisser la garde et ignorer les principes de sécurité de l'outil.**  
Une fraction de seconde d'inattention peut causer de graves blessures.
- 4) **Utilisation et entretien d'un outil électrique**
- a) **Ne pas forcer sur l'outil électrique. Utiliser l'outil électrique adapté à vos travaux.**  
Le bon outil électrique fera le travail mieux et en toute sécurité au régime pour lequel il a été conçu.
- b) **Ne pas utiliser l'outil électrique si l'interrupteur ne le met pas en position de marche et d'arrêt.**  
Tout outil ne pouvant être contrôlé par l'interrupteur est dangereux et doit être réparé.
- c) **Débrancher la fiche de la source d'alimentation et/ou retirer la batterie, si elle est amovible, de l'outil électrique avant de procéder à tout réglage, changer d'accessoires ou ranger les outils électriques.**  
Ces mesures préventives de sécurité réduisent les risques de démarrage accidentel de l'outil électrique.
- d) **Stockez les outils électriques inutilisés hors de la portée des enfants et ne pas laisser des personnes non familiarisées avec l'outil ou ces instructions utiliser l'outil électrique.**  
Les outils électriques sont dangereux entre les mains d'utilisateurs non habilités.
- e) **Entretenez les outils électriques et les accessoires. Contrôler tout mauvais alignement ou grippage des pièces mobiles, toute rupture de pièces et toute autre situation pouvant affecter le fonctionnement de l'outil électrique. Faire réparer l'outil électrique endommagé avant toute utilisation.**  
De nombreux accidents sont dus à des outils mal entretenus.
- f) **Maintenir les outils coupants aiguisés et propres.**  
Des outils coupants bien entretenus avec des bords aiguisés sont moins susceptibles de se coincer et plus simples à contrôler.

- g) **Utiliser l'outil électrique, les accessoires et les mèches de l'outil, etc. conformément à ces instructions en tenant compte des conditions d'utilisation et du travail à réaliser.**  
L'utilisation de l'outil électrique pour des opérations différentes de celles pour lesquelles il a été conçu est dangereuse.
- h) **Conserver les poignées et les surfaces de prise sèches, propres et exemptes d'huile et de graisse.**  
Des poignées et des surfaces de prise glissantes ne permettent pas une manipulation sûre et la maîtrise de l'outil en cas de situations imprévues.
- 5) **Utilisation et entretien de la batterie**
- a) **Recharger la batterie uniquement avec le chargeur recommandé par le fabricant.**  
Un chargeur inadéquat pour le type de batterie peut entraîner un risque d'incendie en cas d'utilisation avec une autre batterie.
- b) **Utiliser les outils électriques uniquement avec les batteries spécifiées.**  
L'utilisation d'autres batteries peut entraîner un risque de blessures et d'incendie.
- c) **Lorsque la batterie est inutilisée, la garder à l'écart d'objets métalliques comme des trombones, des pièces de monnaie, des clés, des clous, des vis ou autres petits objets métalliques pouvant raccorder les bornes.**  
La connexion des bornes peut entraîner des blessures ou un incendie.
- d) **En cas d'utilisation dans des conditions extrêmes, du liquide peut être émis de la batterie. Éviter tout contact. en cas de contact accidentel, rincer à l'eau. Si le liquide entre en contact avec les yeux, consulter un médecin.**  
Le liquide émis par la batterie peut entraîner des irritations et des brûlures.
- e) **Ne pas utiliser une batterie ou un outil endommagé ou modifié.**  
Des batteries endommagées ou modifiées peuvent se comporter de façon imprévisible, entraînant un risque d'incendie, d'explosion ou de blessure.
- f) **Ne pas exposer une batterie ou un outil au feu ou à une température excessive.**  
Une exposition au feu ou à une température supérieure à 265 °F peut provoquer une explosion.
- g) **Suivre toutes les instructions de charge et ne pas charger la batterie ou l'outil en dehors de la plage de températures spécifiée dans les instructions.**  
Une charge incorrecte ou à des températures en dehors de la plage spécifiée peut endommager la batterie et augmenter le risque d'incendie.

- 6) **Service**
- a) **Faire entretenir l'outil électrique par un technicien habilité à l'aide de pièces de rechange identiques exclusivement.**  
Cela garantira le maintien de la sécurité de l'outil électrique.
- b) **Ne jamais réparer les batteries endommagées.**  
L'entretien des batteries ne doit être effectué que par le fabricant ou un prestataire de service agréé.

## – AVERTISSEMENT –

**Pour réduire tout risque de blessure, l'utilisateur doit lire le mode d'emploi.**

## REGLES DE SÉCURITÉ SPÉCIFIQUES ET SYMBOLES

1. **Toujours porter des protecteurs d'oreille lors de l'utilisation de l'outil pendant de longues périodes.**



Une exposition prolongée à un son de forte intensité peut endommager l'ouïe de l'utilisateur.

2. **Utilisez les poignées auxiliaires.**  
Toute perte de contrôle peut entraîner des blessures.
3. **Lors d'une utilisation pendant laquelle l'accessoire de coupe ou des fixations peuvent entrer en contact avec un câblage caché, tenir l'outil électrique par les surfaces de préhension isolées.**  
L'accessoire de coupe ou des fixations qui entrent en contact avec des fils sous tension peuvent transmettre le courant aux parties métalliques exposées de l'outil électrique et provoquer une décharge électrique pour l'opérateur.
4. **S'assurer de bien tenir l'outil pendant le fonctionnement. Le non-respect de cette consigne peut entraîner des accidents ou des blessures. (Fig. 1)**

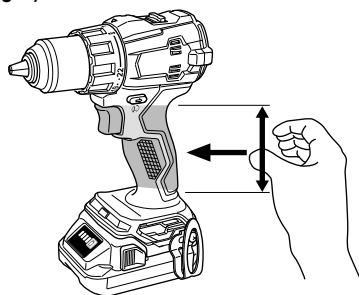
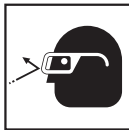


Fig. 1



5. Ne jamais approcher les mains ni aucune autre partie du corps de la mèche ou du mandrin pendant le travail. Tenir la perceuse uniquement par sa poignée.
6. Comme l'outil sans fil fonctionne avec l'énergie de la batterie, soyez conscient du fait qu'il peut commencer à fonctionner à tout moment.
7. Lors d'un travail en position élevée, évacuer tout le monde de l'aire de travail et ne pas oublier qu'on travaille en hauteur.
8. **Ne jamais toucher les parties mobiles.**  
Ne jamais placer ses mains, ses doigts ou toute autre partie de son corps près des parties mobiles de l'outil.
9. **Ne jamais utiliser l'outil sans que tous les dispositifs de sécurité ne soient en place.**  
Ne jamais faire fonctionner cet outil sans que tous les dispositifs et caractéristiques de sécurité ne soient en place et en état de fonctionnement. Si un entretien ou une réparation nécessite le retrait d'un dispositif ou d'une caractéristique de sécurité, s'assurer de bien remettre en place le dispositif ou la caractéristique de sécurité avant de recommencer à utiliser l'outil.
10. **Utiliser l'outil correct**  
Ne pas forcer sur un petit outil ou accessoire pour faire le travail d'un outil de grande puissance. Ne pas utiliser un outil pour un usage pour lequel il n'a pas été prévu: par exemple, ne pas utiliser une scie circulaire pour couper des branches d'arbre ou des bûches.
11. **Ne jamais utiliser un outil motorisé pour des applications autres que celles spécifiées.**  
Ne jamais utiliser un outil motorisé pour des applications autres que celles spécifiées dans le mode d'emploi.
12. **Manipuler l'outil correctement**  
Utiliser l'outil de la façon indiquée dans ce mode d'emploi. Ne pas laisser tomber ou lancer l'outil. Ne jamais permettre que l'outil soit utilisé par des enfants, des personnes non familiarisées avec son fonctionnement ou un personnel non autorisé.
13. **Maintenir toutes les vis, tous les boulons et les couvercles fermement en place.**  
Maintenir toutes les vis, tous les boulons et les couvercles fermement montés. Vérifier leurs conditions périodiquement.
14. **Ne pas utiliser les outils motorisés si le revêtement de plastique ou la poignée est fendu.**  
Des fentes dans le revêtement ou la poignée peuvent entraîner une électrocution. De tels outils ne doivent pas être utilisés avant d'être réparé.
15. **Les accessoires doivent être montés en toute sécurité sur l'outil.**  
Éviter les blessures potentielles personnelles et aux autres. Les accessoires montés sur l'outil doivent être fermement fixés et sécurisés.
16. **Ne jamais utiliser un outil défectueux ou qui fonctionne anormalement.**  
Si l'outil n'a pas l'air de fonctionner normalement, fait des bruits étranges ou sans cela paraît défectueux, arrêter de l'utiliser immédiatement et le faire réparer par un centre de service metabo HPT autorisé.
17. **Manipuler l'outil motorisé avec précaution.**  
Si un outil motorisé tombe ou frappe un matériau dur accidentellement, il risque d'être déformé, fendu ou endommagé.
18. **Ne pas essuyer les parties en plastique avec du solvant.**  
Les solvants comme l'essence, les diluants, la benzine, le tétrachlorure de carbone et l'alcool peuvent endommager et fissurer les parties en plastique. Ne pas les essuyer avec de tels solvants. Essuyer les parties en plastique avec un chiffon doux légèrement imbibé d'une solution d'eau savonneuse et sécher minutieusement.
19. Toujours porter des lunettes des protections conformes aux exigences des dernières révisions du standard ANSI Z87.1.



20. **Étant donné que l'outil électrique sans fil fonctionne sur batterie, il faut savoir qu'il peut se mettre à fonctionner à tout moment.**
21. **Lors d'un travail en hauteur, évacuer tout le monde de l'aire de travail et vérifier ce qu'il y a en-dessous.**
22. **N'utilisez pas le produit si l'outil ou les bornes de la batterie (fixation de la batterie) sont déformés.**  
Installer la batterie peut entraîner un court-circuit qui pourrait provoquer des émissions de fumée ou une ignition.
23. **Gardez les bornes de l'outil (fixation de la batterie) exemptes de copeaux et de poussière.**
  - Avant toute utilisation, assurez-vous qu'aucun copeau ou poussière ne s'est accumulé sur la zone des bornes.
  - Pendant l'utilisation, essayez d'éviter que des copeaux ou de la poussière provenant de l'outil ne tombent sur la batterie.
  - Lors de la suspension de l'opération ou après l'utilisation, ne laissez pas l'outil dans un endroit où il pourrait être exposé à des copeaux ou de la poussière.
24. Le non-respect de cette consigne peut entraîner un court-circuit qui pourrait provoquer des émissions de fumée ou une ignition.
25. Toujours utiliser l'outil et la batterie à des températures comprises entre 23°F (-5°C) et 104°F (40°C).

26. Définitions pour les symboles utilisés sur cet outil  
 V ..... volts  
 --- ..... courant continu  
 No ..... vitesse sans charge  
 ---/min.... rotations ou mouvements de va-et- vient par minute

**CONSIGNES DE SÉCURITÉ IMPORTANTES POUR LE CHARGEUR DE BATTERIE**

**⚠ AVERTISSEMENT**

**Une utilisation incorrecte ou dangereuse des chargeurs de batterie peut entraîner la mort ou des blessures graves.**

**LIRE TOUT CE MODE D'EMPLOI**

1. Ce manuel renferme des consignes de sécurité et d'utilisation importantes pour le chargeur de batterie modèle UC18YKSL.
2. Avant d'utiliser le chargeur de batterie, lire toutes les étiquettes d'instruction et de précaution apposées sur (1) le chargeur de batterie, (2) la batterie, et (3) le produit utilisant la batterie.
3. Pour réduire le risque de blessure, recharger les batteries rechargeables metabo HPT de la série BSL18 et de la série multi-volt. Les autres modèles de batterie pourraient exploser et provoquer des blessures ou des dommages.
4. L'utilisation d'un accessoire non recommandé ou non vendu par le fabricant du chargeur de batterie risque de provoquer un feu, une décharge électrique ou des blessures.
5. Pour réduire tout risque de dommage de la fiche et du cordon électrique, débrancher le cordon du chargeur en tirant sur la fiche.
6. Vérifier que le cordon est placé de façon que personne ne puisse marcher dessus, se prendre les pieds dedans, ni l'endommager ou le soumettre à des contraintes.
7. Ne pas utiliser de cordon de rallonge si cela n'est pas absolument nécessaire. L'utilisation d'un cordon de rallonge incorrect pourrait entraîner un feu ou une décharge électrique. Si l'on doit utiliser un cordon de rallonge, s'assurer que:
  - a. Les broches de la rallonge ont les mêmes numéro, taille et forme que celles de la fiche du chargeur ;
  - b. Le cordon de rallonge est correctement raccordé et en bon état électrique ;
  - c. Le calibre du fil doit être au moins suffisant pour l'intensité nominale CA (ampères) du chargeur de batterie spécifiées dans le Tableau 1.

Tableau 1

**CALIBRE MINIMUM RECOMMANDÉ POUR LES CORDONS DE RALLONGE DES CHARGEURS DE BATTERIE**

Intensité nominale d'entrée CA (ampères)*		Calibre du cordon			
Egal ou supérieur à	mais non inférieur à	Longueur de cordon en pieds (mètres)			
		25 (7,5)	50 (15)	100 (30)	150 (45)
0	2	18	18	18	16
2	3	18	18	16	14
3	4	18	18	16	14

- \* Si l'intensité nominale d'entrée du chargeur de batterie est donnée en watts et non en ampères, calculer la capacité en ampères correspondante en divisant la capacité en ampères par la capacité de tension, par exemple:
- $$\frac{1250 \text{ watts}}{125 \text{ volts}} = 10 \text{ ampères}$$
8. Ne pas utiliser le chargeur si son cordon ou sa fiche sont endommagés - Le remplacer immédiatement.
  9. Ne pas utiliser le chargeur s'il a reçu un coup, s'il est tombé ou endommagé de toute autre manière. L'apporter à un réparateur qualifié.
  10. Ne pas démonter le chargeur ni le produit qui reçoit la batterie ; si un entretien ou des réparations sont nécessaires, les apporter à un réparateur qualifié. Un remontage incorrect pourrait provoquer une décharge électrique ou un feu.
  11. Pour réduire tout risque de décharge électrique, débrancher le chargeur de la prise secteur avant tout entretien ou nettoyage. Il ne suffit pas de sortir la batterie.

## CONSIGNES DE SÉCURITÉ IMPORTANTES POUR L'UTILISATION DE LA BATTERIE ET DU CHARGEUR DE BATTERIE

Pour pouvoir utiliser l'outil électrique, il faudra recharger la batterie. Avant d'utiliser le chargeur de batterie modèle UC18YKSL, bien lire attentivement toutes les consignes et les avertissements signalés sur le chargeur, sur la batterie ou dans ce manuel.

### ⚠ PRECAUTION UTILISER EXCLUSIVEMENT DES BATTERIES metabo HPT. LES AUTRES MODÈLES DE BATTERIE POURRAIENT EXPLOSER OU PROVOQUER DES BLESSURES.

Pour éviter tout risque de blessure, observer les consignes suivantes:

### ⚠ AVERTISSEMENT Une utilisation incorrecte de la batterie ou du chargeur de batterie risque de provoquer des blessures. Pour éviter tout risque de blessure:

1. **NE JAMAIS** démonter la batterie.
2. **NE JAMAIS** jeter la batterie au feu, même si elle est endommagée ou complètement usée. La batterie risque d'exploser au feu.
3. **NE JAMAIS** court-circuiter la batterie.
4. **NE JAMAIS** insérer d'objets dans les ouïes d'aération du chargeur. Il pourrait en résulter un choc électrique ou des dommages du chargeur.
5. **NE JAMAIS** effectuer la recharge à l'extérieur. Eloigner la batterie des rayons directs du soleil et utiliser exclusivement dans des endroits à faible humidité et bien aérés.
6. **NE JAMAIS** effectuer la recharge si la température est inférieure à 32°F (0°C) ou supérieure à 104°F (40°C).
7. **NE JAMAIS** raccorder deux chargeurs de batterie ensemble.
8. **NE JAMAIS** insérer de corps étrangers dans l'orifice de la batterie ou du chargeur de batterie.
9. **NE JAMAIS** utiliser de transformateur-élévateur pour la recharge.
10. **NE JAMAIS** utiliser de générateur de moteur ni d'alimentation CC pour la recharge.
11. **NE JAMAIS** ranger la batterie ou le chargeur de batterie dans un endroit où la température peut atteindre ou dépasser 104°F (40°C), comme à l'intérieur d'une boîte métallique ou d'une voiture.
12. **NE JAMAIS** exposer la batterie ou le chargeur de batterie à la pluie ou l'humidité.

13. **TOUJOURS** alimenter le chargeur sur une prise secteur domestique standard (120 volts). L'utilisation du chargeur à une autre tension peut entraîner une surchauffe et endommager le chargeur.
14. **TOUJOURS** attendre au moins 15 minutes entre deux recharges pour éviter toute surchauffe du chargeur.
15. **TOUJOURS** débrancher le cordon d'alimentation de la prise secteur lorsqu'on ne se sert pas du chargeur.

## PRÉCAUTIONS RELATIVES A LA BATTERIE AU LITHIUM ION

Pour prolonger sa durée de vie, la batterie lithium-ion est équipée d'une fonction de protection qui coupe automatiquement l'alimentation.

Dans les cas 1 à 3 décrits ci-dessous, il est possible que le moteur s'arrête lorsque vous utilisez ce produit, même si vous actionnez le commutateur. Il ne s'agit pas d'un dysfonctionnement, mais du fonctionnement normal de la protection.

1. Lorsque la charge restante de la batterie diminue, le moteur s'arrête.  
Dans ce cas de figure, chargez immédiatement la batterie.
2. En cas de surcharge de l'outil, actionnez le commutateur de l'outil et éliminez les causes de la surcharge. Vous pouvez ensuite recommencer à utiliser l'outil.
3. En cas de surchauffe due à un travail trop intensif, l'alimentation de la batterie peut se couper.  
Dans ce cas, arrêtez toute utilisation de la batterie et laissez-la refroidir. Vous pouvez ensuite recommencer à l'utiliser.

En outre, respectez la précaution et l'avertissement suivants.

### ⚠ AVERTISSEMENT

Afin d'éviter toute fuite de la batterie, génération de chaleur, émission de fumée, explosion et inflammation, respectez scrupuleusement les précautions suivantes :

1. Assurez-vous que les copeaux et la poussière ne s'accumulent pas sur la batterie.
- Lorsque vous travaillez, assurez-vous que les copeaux et la poussière ne tombent pas sur la batterie.
  - Assurez-vous que les copeaux et la poussière qui tombent sur l'outil lorsque vous travaillez ne s'accumulent pas sur la batterie.
  - Ne conservez pas une batterie inutilisée dans un endroit qui est exposé aux copeaux et à la poussière.
  - Avant de stocker une batterie, retirez tous les copeaux et la poussière qui ont pu y adhérer et ne la conservez pas avec des pièces métalliques (vis, clous, etc.).

2. Ne percez pas la batterie à l'aide d'un objet pointu tel qu'un clou. Ne la frappez pas à l'aide d'un marteau. Ne marchez pas dessus, ne la lancez pas et ne la soumettez pas à un choc physique important.
3. N'utilisez pas une batterie dont l'extérieur est déformé ou laisse penser qu'elle est défectueuse.
4. N'utilisez pas la batterie à d'autres fins que celle spécifiée.
5. En cas d'échec du chargement d'une batterie, même après un certain délai, arrêtez immédiatement le rechargement.
6. N'exposez pas la batterie à des températures ou à une pression élevées (four à micro-ondes, séchoir, conteneur sous haute pression).
7. Maintenez la batterie à l'écart de toute flamme en cas de détection d'une fuite ou d'une mauvaise odeur.
8. Ne pas utiliser à proximité d'une source puissante d'électricité statique.
9. En cas de fuite de la batterie, de mauvaise odeur, de génération de chaleur, de décoloration, de déformation ou d'anomalie en cours d'utilisation, de rechargement ou d'entreposage, ôtez immédiatement la batterie de l'équipement ou du chargeur de batterie et ne l'utilisez plus.
10. Ne plongez jamais la batterie dans de l'eau ou tout autre liquide, et ne laissez aucun liquide s'infiltrer à l'intérieur de la batterie. L'entrée de liquides conducteurs, tel que de l'eau, peut causer des dommages pouvant entraîner un incendie ou une explosion. Rangez votre batterie dans un endroit frais et sec, à l'écart d'objets combustibles et inflammables. Les atmosphères corrosives doivent être évitées.

## ⚠ PRECAUTION

1. En cas de projection dans les yeux de liquide ayant fuit de la batterie, ne vous frottez pas les yeux, rincez-les à l'eau claire et contactez immédiatement un médecin.  
En l'absence de traitement, le liquide peut détériorer l'œil.
2. En cas de projection de liquide ayant fuit de la batterie sur votre peau ou vos vêtements, rincez immédiatement ces derniers à l'eau claire (au robinet). Le liquide peut provoquer une irritation de la peau.
3. En cas de détection de rouille, de mauvaise odeur, de surchauffe, de décoloration, de déformation et/ou autres anomalies lors de la première utilisation de la batterie, n'utilisez pas cette dernière et renvoyez-la au fournisseur ou au fabricant.

## ⚠ AVERTISSEMENT

Un court-circuit risque de se produire et causer un incendie, si un corps étranger conducteur d'électricité passe dans les bornes de la pile au lithium-ion. Veuillez respecter les consignes suivantes pour le rangement de la pile.

- Ne pas mettre d'objet conducteur d'électricité, tels que clous, fil d'acier, de cuivre ou autre fil dans la mallette de rangement.
- Soit ranger le bloc de pile avec l'outil électrique ou de manière sécuritaire en l'enfonçant dans le couvercle jusqu'à ce que les orifices de ventilation soient dissimulés afin d'éviter les courts-circuits. (Voir la Fig. 4)

## À PROPOS DU TRANSPORT DE LA BATTERIE LITHIUM-ION

Lors du transport d'une batterie lithium-ion, veuillez observer les précautions suivantes.

## ⚠ AVERTISSEMENT

Informez la société de transport qu'un paquet contient une batterie lithium-ion, informez la société de sa puissance de sortie et suivez les instructions de la société de transport lors de l'organisation du transport.

- Les batteries lithium-ion qui dépassent une puissance de sortie de 100 Wh font partie de la classification de transport des produits dangereux et nécessitent l'application de procédures spéciales.
- Pour un transport vers l'étranger, vous devez vous conformer aux lois internationales et aux normes et réglementations en vigueur dans le pays de destination.

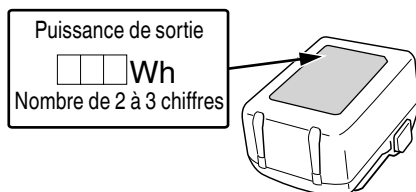


Fig. 2

**CONSERVER CES INSTRUCTIONS  
ET  
LES METTRE A LA DISPOSITION DES AUTRES  
UTILISATEURS  
ET  
PROPRIETAIRES DE CET OUTIL!**

## DESCRIPTION FONCTIONNELLE

### REMARQUE

Les informations contenues dans ce mode d'emploi sont conçues pour assister l'utilisateur dans une utilisation sans danger et un entretien de l'outil motorisé.

**NE JAMAIS** utiliser ni entreprendre une révision de l'outil sans avoir d'abord lu et compris toutes les instructions de sécurité contenues dans ce manuel.

Certaines illustrations dans ce mode d'emploi peuvent montrer des détails ou des accessoires différents de ceux de l'outil motorisé utilisé.

### NOM DES PARTIES

#### 1. Perceuse-visseuse sans fil / Perceuse à percussion sans fil

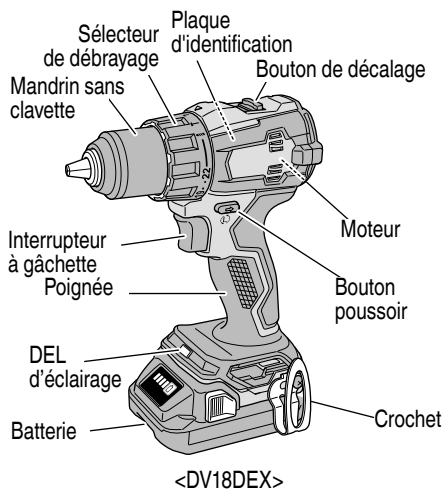
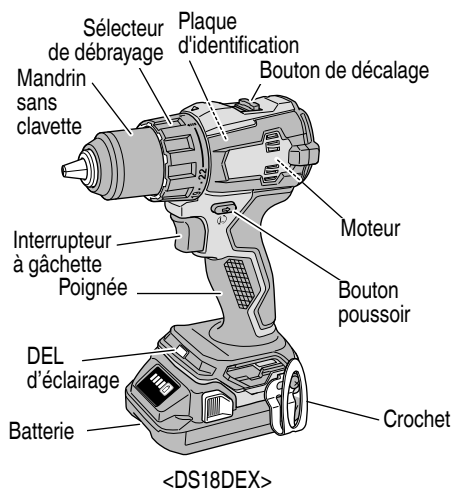
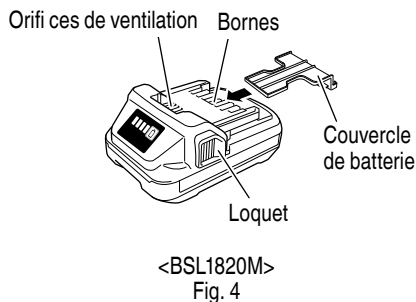
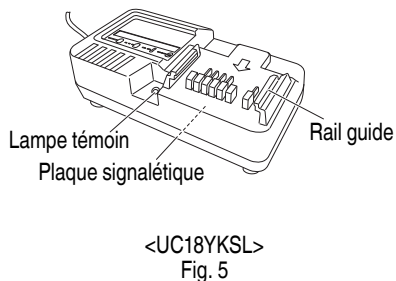


Fig. 3

#### 2. Batterie



#### 3. Chargeur de batterie



## SPECIFICATIONS

### 1. Perceuse-visseuse sans fil / Perceuse à percussion sans fil

Modèle		DS18DEX	DV18DEX
Moteur		Moteur CC sans balais	
Vitesse à vide	Bas	0–550 /min	
	Élevé	0–2 000 /min	
Taux de percussion	Bas	————	0–8 250 /min
	Élevé	————	0–30 000 /min
Capacité	Perçage	Brique*1	————
		Bois*1 (Bois résineux)	2 po. (52 mm)
		Métal*1 (Acier doux)	1/2 po. (13 mm)
	Vissage	Vis en bois	3/8 in. x 4 in. (10 mm x 100 mm)
		Petite vis	1/4 po. (6 mm)
Capacité de mandrin		Diamètre de serrage maximum 1/2 po. (13 mm)	
Batterie	Modèle	BSL1820M	
	Type	Batterie au Li-ion	
	Tension	CC 18 V	
Poids		3,5 lbs. (1,6 kg) (BSL1820M montée)	

\*1 Brique : Profondeur 1–1/4 po. (30 mm),  
 Laine : Épaisseur 1–1/2 po. (38 mm),  
 Métal : Épaisseur 1/16 po. (1,6 mm)

### 2. Chargeur de batterie

Modèle	UC18YKSL
Source d'alimentation d'entrée	Monophasée: CA 120 V 60 Hz
Durée de recharge (à une température de 68°F (20°C))	BSL1820M : Environ. 60 min
Tension de charge	CC 14,4 V–18 V
Courant de charge	CC 2,0 A
Poids	0,8 lbs. (0,35 kg)

**REMARQUE:** La durée de recharge peut varier en fonction de la température et de la tension de la source d'alimentation.

# ASSEMBLAGE ET FONCTIONNEMENT

## UTILISATIONS

<DV18DEX>

- Utilisation comme perceuse percussion  
Perçage de briques tendres et de blocs de béton.

<DS18DEX / DV18DEX>

- Utilisation comme mèche  
Perçage d'acier doux, de bois, de plastique et d'aluminium.
- Utilisation comme tournevis  
Serrage et desserrage de vis à métaux, vis en bois et vis auto-taraudeuses.

## MÉTHODE DE RETRAIT ET D'INSTALLATION DE LA BATTERIE

- Installation de la batterie  
Aligner la batterie sur la fente de la poignée de l'outil et la glisser à l'intérieur.  
Toujours insérer la batterie à fond, jusqu'à ce qu'elle se bloque avec un petit déclic. Sinon, elle risque de tomber accidentellement de l'outil et de blesser l'opérateur ou d'autres personnes alentour (Fig. 6).
- Retrait de la batterie  
Sortir la batterie de la poignée de l'outil tout en appuyant sur le taquet (2 taquets) de la batterie (Fig. 6).

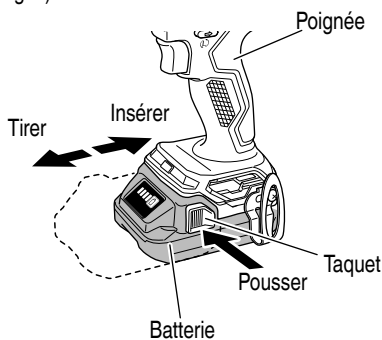


Fig. 6

## MÉTHODE DE RECHARGE

### REMARQUE

Avant de brancher le chargeur dans la prise, vérifier les points suivants.

- La tension de la source d'alimentation est indiquée sur la plaque signalétique.
- Le cordon n'est pas endommagé.

### ⚠ AVERTISSEMENT

Ne pas effectuer de recharge à une tension supérieure à la tension indiquée sur la plaque signalétique.

Si la recharge est effectuée à une tension supérieure à la tension indiquée sur la plaque signalétique, le chargeur sera brûlé.

1. Brancher le cordon d'alimentation du chargeur sur une prise secteur.  
Quand vous raccordez la fiche du chargeur à une prise murale, la lampe témoin clignote en rouge. (À intervalles d'une seconde)



### ⚠ AVERTISSEMENT

Ne pas utiliser le cordon électrique s'il est endommagé.  
Le faire réparer immédiatement.

2. Insérer la batterie dans le chargeur de batterie.  
Insérer la batterie dans le chargeur de batterie comme indiqué à la Fig. 7. Bien s'assurer qu'elle touche le fond du chargeur de batterie.

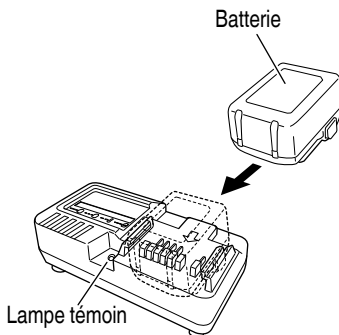


Fig. 7

3. Recharge

- Quand la batterie est raccordée au chargeur de batterie, la recharge commence et la lampe témoin s'allume en rouge. (Voir le Tableau 2)




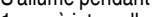

### REMARQUE

Si la lampe témoin ne s'allume pas ou clignote en rouge, débrancher la fiche de la prise et vérifier si la batterie est insérée correctement.



- Quand la batterie est rechargée à fond, la lampe témoin clignote lentement en rouge. (A intervalles d'une seconde) (Voir le Tableau 2)
- (1) Indication de la lampe témoin  
Les indications de la lampe témoin sont expliquées dans le Tableau 2, selon la condition du chargeur ou de la batterie rechargeable.

Tableau 2

Explications de la lampe témoin (RED)		
Avant la recharge	MARCHE/ARRÊT à intervalles de 0,5 sec. 	Branché à la source d'alimentation
Pendant la recharge	S'allume sans interruption 	—
Recharge terminée	MARCHE/ARRÊT à intervalles de 0,5 sec. 	—
Veille en surchauffe	S'allume pendant 1 sec. à intervalles de 0,5 sec. 	Batterie en surchauffe. Chargement impossible.*
Recharge impossible	MARCHE/ARRÊT à intervalles de 0,1 sec. 	Anomalie de la batterie ou du chargeur

\* Le chargement commencera une fois que la batterie sera froide).

- (2) Température admissible d'une batterie rechargeable.  
La température admissible des batteries rechargeables est indiquée dans le Tableau 3, et les batteries qui ont chauffé devront être laissées à refroidir pendant quelque temps avant de pouvoir être rechargées.

Tableau 3 Plage de recharge des batteries

Batterie rechargeable	Température à laquelle la batterie peut être rechargée
BSL1820M	32°F-122°F (0°C-50°C)

- (3) Durée de recharge (A 68°F (20°C))

Tableau 4 Temps de recharge

Batterie \ Chargeur	
Batterie	UC18YKSL
BSL1820M	Env. 60 min

**REMARQUE**

La durée de recharge peut varier en fonction de la température et de la tension de la source d'alimentation.

- 4. Débrancher le chargeur de batterie de la prise.

**⚠ PRECAUTION**

**Ne pas débrancher la fiche de la prise en tirant sur le cordon.**  
**Pour éviter tout dommage lorsqu'on débranche la fiche de la prise, bien tenir la fiche proprement dite.**

- 5. Retirer la batterie du chargeur de batterie.  
Sortir la batterie du chargeur tout en la soutenant de la main.

**REMARQUE**

Bien sortir la batterie du chargeur de batterie après usage, et la conserver.

**En ce qui concerne le courant de décharge d'une batterie neuve**

Etant donnée que les substances chimiques internes sont restées inactives dans le cas des batteries neuves ou des batteries qui sont restées longtemps inutilisées, le courant de décharge risque d'être très faible lors des première et deuxième utilisations. Ce phénomène est temporaire et le temps de recharge normal sera rétabli quand les batteries auront été rechargées 2 ou 3 fois.

**Comment prolonger la durée de vie des batteries.**

- (1) Recharger les batteries avant qu'elles ne soient complètement épuisées.  
Quand la puissance de l'outil utilisé faiblit, l'éteindre et recharger la batterie. Si l'outil continue d'être utilisé jusqu'à épuisement du courant électrique, la batterie risque d'être endommagée et sa durée de vie se raccourcira.
- (2) Eviter d'effectuer la recharge sous des températures élevées.  
Une batterie est toujours chaude immédiatement après son utilisation. Si la batterie est rechargée immédiatement après utilisation, les substances chimiques internes risquent de se détériorer et la durée de vie de la batterie se raccourcira. Laisser la batterie refroidir un moment avant de l'utiliser.

**⚠ PRECAUTION**

- Si le chargeur a fonctionné pendant longtemps de suite, il sera chaud, ce qui risque de provoquer des pannes. Lorsque la recharge est terminée, laissez le chargeur refroidir pendant environ 15 secondes avant de passer à la recharge suivante.
- Si la batterie est chaude quand elle est rechargée, parce qu'elle est restée longtemps en plein soleil ou parce qu'elle vient juste d'être utilisée, la lampe pilote du chargeur clignote en s'allumant pendant 1 seconde, puis en s'éteignant pendant 0,5 seconde.  
La batterie ne se rechargera pas. Dans ce cas, laissez la batterie refroidir avant de la recharger.
- Quand la lampe témoin clignote rapidement (à intervalles de 0,2 seconde), vérifiez le chargeur et retirez tout objet étranger qui serait tombé dans son connecteur. S'il n'y a rien d'anormal, il est alors probable que la batterie ou le chargeur fonctionne mal. Dans ce cas, les enlever et les porter à un réparateur agréé.

**AVANT L'UTILISATION**

Vérifier l'aire de travail pour s'assurer qu'il n'y a ni débris ni désordre.

Évacuer toutes les personnes non nécessaires au travail. S'assurer que l'éclairage et la ventilation sont satisfaisants.

**UTILISATION**

1. Pose et dépose du foret.

(1) Pose du foret

Desserrer le manchon en le tournant vers la gauche (dans le sens inverse des aiguilles d'une montre vu de face) pour ouvrir l'attache du mandrin sans clavette. Insérer la mèche, etc. dans le mandrin à attache sans clavette, et serrer le manchon en le tournant vers la droite (dans le sens des aiguilles d'une montre vu de face). (Voir Fig. 8).

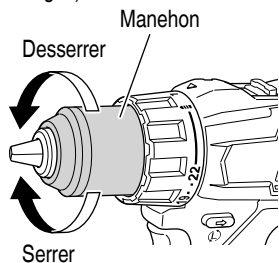


Fig. 8

**⚠ PRECAUTION**

Lorsqu'on monte un foret dans un mandrin sans clavette, bien serrer à fond. Si le manchon n'est pas serré, le foret risque de glisser ou de tomber et de provoquer des blessures.

**REMARQUE**

Si le manchon se relâche pendant le fonctionnement, le serrer davantage.

La force de serrage sera plus forte si le manchon est bien serré.

(2) Dépose du foret

Desserrer le manchon en le tournant vers la gauche (dans le sens inverse des aiguilles d'une montre vu de face), et sortir la mèche, etc. (Voir Fig. 8).

**REMARQUE**

○ Si l'on serre le manchon alors que l'attache du mandrin sans clavette est ouverte au maximum, un clic risque de se faire entendre. Ce bruit indique que le desserrage du mandrin sans clavette est empêché, et il est normal.

○ Lorsque le manchon ne peut pas être dévissé, bloquer l'outil emmanché dans un étau, etc., mettre l'embrayage sur 1 à 11 et tourner le manchon dans le sens contraire des aiguilles d'une montre tout en faisant fonctionner l'embrayage.

2. Vérifiez si la batterie a été correctement installée.

3. Vérifiez la direction de rotation.

La mèche tourne dans le sens horaire (vu de l'arrière) quand on appuie sur côté-R de bouton poussoir. En appuyant sur le côté-L de bouton poussoir la mèche tourne dans le sens anti-horaire (Voir Fig. 9). (Les repères (L) et (R) sont marqués sur le corps).

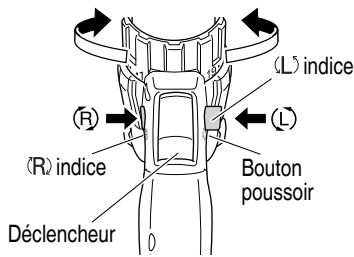
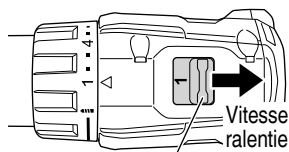


Fig. 9

**⚠ PRECAUTION**

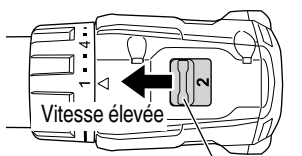
Il n'est pas possible de commuter le bouton-poussoir pendant que l'outil motorisé fonctionne. Pour commuter le bouton-poussoir, arrêter l'outil motorisé, puis régler le bouton-poussoir.

4. Changement de vitesse de rotation.



Bouton de décalage

Fig. 10



Bouton de décalage

Fig. 11

Actionnez le bouton de décalage pour changer la vitesse de rotation. Enfoncez le bouton de blocage pour relâcher le blocage et déplacez le bouton de décalage dans la direction de la flèche (Voir les Fig. 10 et 11).

Quand le bouton de décalage est mis sur "1" (petite vitesse), la perceuse tourne à petite vitesse.

Quand il est mis sur "2" (grande vitesse), la perceuse tourne à grande vitesse.

**⚠ PRECAUTION**

- Lorsque vous modifiez la vitesse de rotation avec le bouton de décalage, vérifiez que l'interrupteur est en position d'arrêt.

Le fait de changer la vitesse quand le moteur tourne endommagera l'engrenage.

- Pour une opération qui nécessite une grande force (opérations indiquées dans le tableau ci-dessous), régler le bouton de décalage sur "1". Si l'on utilise l'outil sur "2", cela risque de brûler le moteur ou de provoquer un mauvais fonctionnement prématuré.

5. Portée et recommandations pour l'utilisation.

La portée utilisable pour les différents types de travaux basée sur la structure mécanique de cet outil est indiquée au Tableau 5.

Tableau 5

Travail		Position du capuchon	Suggestions
Perçage	Brique (DV18DEX)		Utilisation à des fins de perçage.
	Bois		Utilisation à des fins de perçage.
	Acier		
	Aluminium		
Vissage	Petite vis	1-22	Utiliser la mèche et la douille correspondant au diamètre de la vis.
	Vis en bois	1-	Utiliser après avoir percé un trou d'amorce.

6. Vérification de la position du sélecteur de débrayage (Voir Fig. 12).

<DS18DEX>

Le couple de serrage est défini par la position du sélecteur de débrayage.

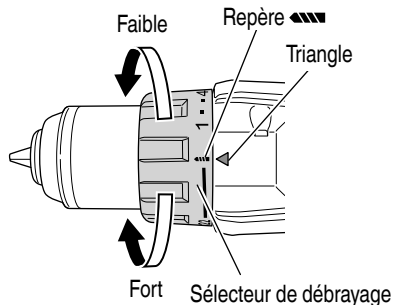


Fig. 12

- (1) En mode visseuse, alignez l'un des chiffres du sélecteur "1, 4, 7 ... 22" ou le point avec le repère triangulaire sur le corps.
- (2) En mode perceuse, alignez le symbole du foret "▲▲▲" sur le sélecteur de débrayage avec le repère triangulaire sur le corps.

**⚠ PRECAUTION**

- Il est impossible de positionner le sélecteur de débrayage entre les chiffres "1, 4, 7 ... 22" ou le point.
- N'utilisez pas l'outil avec le sélecteur de débrayage positionné entre le chiffre "22" et la ligne au centre du symbole du foret "▲▲▲", vous risqueriez de l'endommager (Voir Fig. 13).

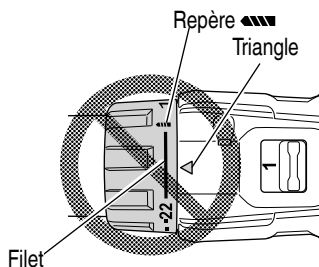


Fig. 13

<DV18DEX> (Fig. 14)

Les trois modes, à savoir tournevis, burin et burin à perceuse, se sélectionnent en changeant la position du sélecteur de débrayage de l'outil.

- (1) Lorsqu'on utilise cet outil comme tournevis, aligner l'un des chiffres "1, 4, 7 ... 22" du sélecteur de débrayage, ou le point, sur le repère triangulaire du boîtier extérieur.
- (2) Quand la perceuse est utilisée avec un mèche, aligner le repère "▲▲▲" sur le sélecteur de débrayage avec le triangle sur le corps de la perceuse.
- (3) Si l'outil est utilisé comme perceuse à percussion, amener le repère de percussion "T" du sélecteur de débrayage en regard du repère triangulaire du corps de l'outil.

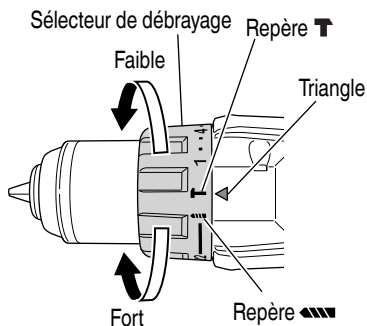


Fig. 14

**⚠ PRECAUTION**

- Il n'est pas possible de régler le sélecteur de débrayage entre les nombres "1, 4, 7 ... 22" ou le point.
- Ne pas utiliser avec le sélecteur de débrayage sur le nombre "22" et le trait au milieu du repère de perçage. Cela pourrait provoquer des dommages. (Voir Fig. 15)

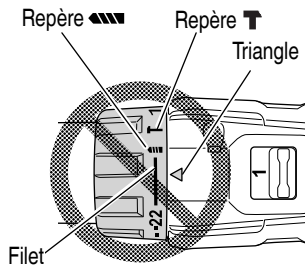


Fig. 15

7. Commutation rotation sur percussion (DV18DEX)  
 Les fonctions "Rotation (Rotation seulement)" et "Percussion (Percussion + rotation)" se commutent en amenant le repère de perçage "▲" ou le repère de percussion "■" sur le repère triangulaire du boîtier externe.
- Pour percer des orifices dans du métal, du bois ou du plastique, commuter sur "Rotation (Rotation seulement)".
  - Pour percer des orifices dans de la brique ou des blocs de béton, commuter sur "Percussion (Percussion + rotation)".

**⚠ PRECAUTION**

**Ne pas utiliser la visseuse/perceuse percussion sans fil en mode "Percussion" si le matériau ne doit être alésé qu'en rotation seulement. Cela non seulement réduirait l'efficacité du perçage, mais pourrait également endommager la mèche.**

8. Réglage du couple de serrage.
- (1) Couple de serrage  
 Le couple de serrage devra correspondre au diamètre de la vis utilisée. Si trop de force est utilisée, il se peut que la vis se casse ou s'endommage dans la partie de sa tête. Assurez-vous de positionner le sélecteur de débrayage en fonction du diamètre de la vis. Se reporter au Tableau 6 pour les couples de serrage selon la position du sélecteur de débrayage.
- (2) Indication du couple de serrage (Voir les Fig. 12 et 14)  
 Le couple de serrage varie en fonction du type de vis et du matériau à serrer.  
 Le couple de serrage est indiqué par les chiffres "1, 4, 7 ... 22" sur le sélecteur de débrayage et un noir. La position "1" correspond au couple le plus faible et le chiffre le plus élevé au couple le plus important.
- (3) Réglage du couple de serrage (Voir les Fig. 12 et 14)  
 Faites tourner le sélecteur de débrayage et alignez l'un des chiffres "1, 4, 7 ... 22" ou le point avec le repère triangulaire sur le corps. Faites tourner le sélecteur vers la droite ou la gauche, suivant le couple souhaité.

Tableau 6 Couple de serrage

Position du sélecteur de débrayage	Couple de serrage
1	Environ 8,9 po.-lbs. (10,2 kg-cm)
4	Environ 13,3 po.-lbs. (15,3 kg-cm)
7	Environ 17,7 po.-lbs. (20,4 kg-cm)
10	Environ 22,1 po.-lbs. (25,5 kg-cm)
13	Environ 26,6 po.-lbs. (30,6 kg-cm)
16	Environ 31,0 po.-lbs. (35,7 kg-cm)
19	Environ 35,4 po.-lbs. (40,8 kg-cm)
22	Environ 39,8 po.-lbs (45,9 kg-cm)

9. Fonctionnement de l'interrupteur
- Quand la gâchette de l'interrupteur est tirée, l'outil tourne. Quand la gâchette est relâchée, l'outil s'arrête. Lorsque le déclencheur est libéré, le frein arrête immédiatement l'outil.
  - La vitesse de rotation de la foreuse peut être contrôlée en faisant varier la force avec laquelle on appuie sur l'interrupteur. En appuyant légèrement sur l'interrupteur, la vitesse est basse et elle augmente lorsqu'on appuie plus fort.
10. Perçage du brique (DV18DEX)  
 Une force excessive n'augmentera pas la vitesse de forage ; Elle ne pourra qu'endommager la pointe du foret ou réduire le rendement, aussi bien que réduire la durée de vie du foret. Faire fonctionner la perceuse à percussion avec une force de 10 à 20 kg de pression lors du forage dans la brique.

**⚠ PRECAUTION**

- **Il se peut que la rotation du moteur se verrouille et s'arrête pendant que l'outil est utilisé en tant que perceuse. Pendant le fonctionnement de la perceuse à percussion, faites attention à ne pas verrouiller le moteur.**
- **Si le moteur a été verrouillé, débrancher immédiatement l'alimentation. Si le moteur reste verrouillé pendant un certain temps, le moteur ou la batterie seront brûlés.**
- **Une percussion trop prolongée peut casser la vis par suite d'un serrage excessif.**

11. Comment sélectionner une vitesse de rotation





**⚠ PRECAUTION**

- **Les exemples choisis et montrés au Tableau 7, seront pris en tant qu'exemples standard étant donné que différentes vis de serrages et différents matériels devant être serrés seront utilisés réellement, et pour lesquels un réglage approprié sera évidemment requis.**
- **Lors de l'utilisation de la perceuse-visseuse/perceuse à percussion à "2" (Grande vitesse) avec une vis à métaux, une vis peut être endommagée ou une mèche peut devenir lâche étant donné le couple de serrage trop élevé. Utiliser la perceuse-visseuse/perceuse à percussion à "1" (Petite vitesse) avec une vis à métaux.**

**REMARQUE**

L'utilisation de la batterie dans un environnement froid (en-dessous de 0 degré centi-grade) peut parfois entraîner un affaiblissement du couple de serrage et une réduction du volume de travail. Il s'agit d'un phénomène purement temporaire, et la batterie recommencera à fonctionner normalement lorsqu'elle se sera réchauffée.

Tableau 7

Travail		Position du capuchon	Sélection de vitesse de rotation (Position du bouton de changement)	
			"1" (Petite vitesse)	"2" (Grande vitesse)
Vissage	Vis mécanique	1-22	Pour vis de 1/4 po. (6 mm) ou moins diamètre	Pour vis de 1/4 po. (6 mm) ou moins diamètre
	Vis de bois	1- 	Pour vis de #20 (10 mm) ou moins, diamètre nominal	Pour vis de #16 (6 mm) ou moins diamètre nominal
Perçage	Brique (DV18DEX)		Pour diamètre de 1/2 po. (13 mm) ou moins	Pour diamètre de 13/32 po. (10 mm) ou moins
	Bois		Pour diamètre de 2 po. (52 mm) ou moins	Pour diamètre de 1 po. (24 mm) ou moins
	Métal		—	Pour forage avec perceuse à travailler le fer.

12. Témoin de batterie résiduelle






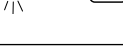

Vous pouvez vérifier la capacité résiduelle de la batterie en appuyant sur le commutateur d'indicateur de batterie résiduelle pour allumer le témoin de l'indicateur. (Fig. 16, Tableau 8)

L'indicateur s'éteindra environ 3 secondes après avoir appuyé sur le commutateur de l'indicateur de batterie résiduelle.

Il est préférable d'utiliser l'indicateur de batterie résiduelle en tant que guide étant donné qu'il existe de légères différences, par exemple en fonction de la température ambiante et de l'état de la batterie.

De plus, l'indicateur de batterie résiduelle peut être différent de ceux équipés sur un outil ou un chargeur.

Tableau 8

Statut de la lampe	Puissance batterie résiduelle
	S'allume ; La puissance résiduelle de la batterie est de plus de 75%.
	S'allume ; La puissance résiduelle de la batterie se situe entre 50 et 75%.
	S'allume ; La puissance résiduelle de la batterie se situe entre 25 et 50%.
	S'allume ; La puissance résiduelle de la batterie est de moins de 25%.
	Clignote ; La puissance résiduelle de la batterie est presque nulle. Rechargez la batterie le plus rapidement possible.
	Clignote ; Sortie suspendue en raison d'une température élevée. Retirez la batterie de l'outil et laissez-la refroidir complètement.
	Clignote ; Sortie interrompue en raison d'une défaillance ou un dysfonctionnement. Le problème ne provient peut-être pas de la batterie ; veuillez contacter votre revendeur.

Le témoin lumineux de puissance batterie résiduelle peut s'allumer différemment selon la température ambiante et les caractéristiques de la batterie. Utilisez donc ce tableau comme référence.

Témoin indicateur de batterie résiduelle  
Commutateur de puissance batterie résiduelle

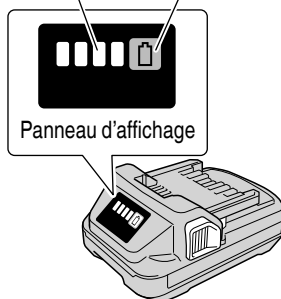


Fig. 16

REMARQUE

Ne pas faire subir de choc violent au panneau d'affichage ou l'endommager. Cela peut provoquer des défaillances.

13. Comment utiliser la DEL d'éclairage

Lorsque le commutateur est activé, la DEL illumine automatiquement la pointe de l'outil. (Fig. 17)

La DEL lumineuse s'éteint automatiquement 10 secondes après avoir relâché le commutateur.

La DEL lumineuse fonctionne également comme un signal d'avertissement qui s'allume pendant l'utilisation.

Pour plus d'informations, reportez-vous à la section "16. Messages d'alerte par témoin DEL".

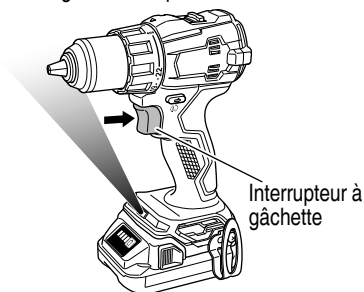


Fig. 17

**⚠ PRECAUTION**

- N'exposez pas vos yeux directement à la lampe en la regardant.  
Une exposition continue de vos yeux à la lampe pourrait les blesser.
- Essuyez toute poussière ou saleté située sur la lentille du témoin DEL avec un chiffon doux, en faisant attention de ne pas rayer la lentille.  
Des rayures sur la lentille du témoin DEL peuvent entraîner une baisse de la luminosité.

14. Utilisation du crochet

Le crochet sert à suspendre l'outil électrique à votre ceinture pendant le travail.

**⚠ PRECAUTION**

- Lorsque vous employez le crochet, accrochez fermement l'outil pour en éviter toute chute accidentelle.  
En cas de chute de l'outil électrique, un accident pourrait survenir.
- Lorsque vous portez l'outil accroché à votre ceinture, n'installez aucune mèche au bout de l'outil. Si une mèche tranchante, comme une fraise, est installée sur l'outil accroché à votre ceinture, vous pourriez vous blesser.
- Installez fermement le crochet. Une mauvaise installation pourrait provoquer des blessures pendant l'utilisation.

(1) Dépose du crochet.

Enlevez les vis qui maintiennent le crochet, à l'aide d'un tournevis Philips. (Fig. 18)

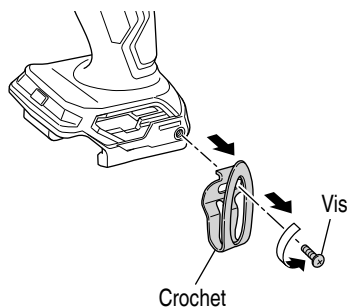


Fig. 18

(2) Remplacer le crochet et serrer les vis.

Installez le crochet à fond dans la gorge de l'outil électrique et serrez les vis pour le maintenir fermement. (Fig. 19)

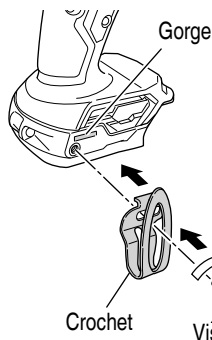


Fig. 19

15. Commande de force réactive

Cet appareil possède une commande de force réactive (CFR) afin de réduire le risque de torsion des bras de l'opérateur lorsque l'outil bouge brusquement pendant le fonctionnement.

Lorsque le contrôle intégré de l'outil détecte une force réactive, il arrête la sortie du moteur avant que l'ensemble de l'outil ne bouge d'un coup sec afin de diminuer la torsion des bras de l'opérateur.

L'activation de cette fonction est indiquée par un témoin DEL clignotant (clignotements de 0.1 seconde/arrêt pendant 0.1 seconde). (Fig. 20)

(Voir "16. Messages d'alerte par témoin DEL")

Cependant, étant donné que la fonction risque de ne pas se déclencher en fonction des situations ou des conditions de fonctionnement, il est nécessaire de faire attention d'éviter toute surcharge soudaine de la mèche lors du fonctionnement de l'outil.

● Causes possibles de surcharge soudaine

- ① Mèche pénétrant dans le matériau
- ② Impact contre des clous, du métal ou d'autres objets durs
- ③ Tâches impliquant des tractions ou toute pression excessive, etc.

Aussi, d'autres causes incluent n'importe quelle combinaison des éléments mentionnés ci-dessus.

● Lorsque la commande de force réactive (CFR) est déclenchée

Lorsque la CFR est déclenchée et que le moteur s'arrête, désactiver le commutateur de l'outil puis poursuivre l'opération après avoir éliminé ce qui cause la surcharge.

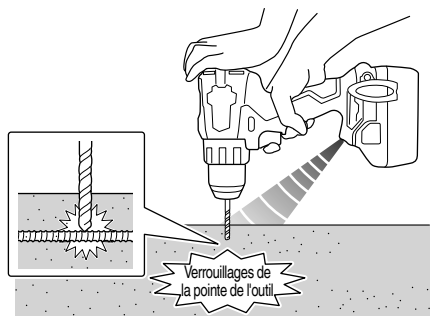


Fig. 20



16. Messages d'alerte par témoin DEL

Cet appareil dispose de fonctions qui sont conçues pour protéger l'outil lui-même, ainsi que la batterie. Si l'une des fonctions de sécurité se déclenche au cours du travail, le témoin DEL clignote tel que décrit dans le Tableau 9. Lorsque l'une des fonctions de protection est enclenchée, enlever immédiatement votre doigt du commutateur et suivre les instructions décrites sous l'action corrective.

Tableau 9

Fonction de protection	Affichage du témoin DEL	Action corrective
Protection surcharge	Marche 0.1 seconde/ Arrêt 0.5 seconde ■ ■ ■ ■ ■ (clignotement rapide) Clignote pendant environ 3 secondes après le relâchement de l'interrupteur.	En cas de fonctionnement avec le sélecteur de vitesse paramétré sur "2", régler sur "1" et continuer l'opération. Éliminer la cause de la surcharge.
Commande de force réactive		Éliminer la cause de la surcharge. Lors de l'utilisation de l'outil, tenir fermement l'outil pour être sûr qu'il ne bougera pas brusquement.
Protection température	Marche 0.5 seconde/ Arrêt 0.5 seconde ■ ■ ■ (clignotement lent) Clignote quand la protection est activée.	Laisser l'outil et la batterie refroidir complètement.

**PRECAUTIONS DE FONCTIONNEMENT**

Repos de l'appareil après un travail continu

(1) L'outil électrique est doté d'un circuit de protection thermique pour protéger le moteur.

Un serrage de boulons continu peut entraîner l'augmentation de la température de l'outil, ce qui déclenche le circuit de protection thermique et interrompt automatiquement l'opération.

Dans ce cas, laisser l'outil électrique refroidir avant de recommencer à l'utiliser.

(2) Après un travail de serrage de vis à bois de façon continue, laisser l'outil reposer pendant environ 15 minutes lors du remplacement de la batterie. La température du moteur, de la gâchette, etc. augmentera si le travail est repris tout de suite après le remplacement de la batterie, ce qui risque de provoquer un grillage.

## ENTRETIEN ET INSPECTION

### ⚠ AVERTISSEMENT

Sortir la batterie avant toute opération d'inspection ou d'entretien.

- Vérifier l'état de la mèche.  
Les mèches doivent être vérifiées régulièrement. Si elles sont usées ou cassées, elles risquent de glisser ou de réduire le rendement du moteur et de le brûler. Remplacer les mèches usées par des neuves.

### ⚠ PRECAUTION

**Si l'on utilise une mèche dont la pointe est usée ou cassée, elle sera dangereuse car elle risque de glisser. La remplacer par une neuve.**

- Vérifier les vis  
Des vis mal serrées sont dangereuses. Les inspecter régulièrement et vérifier qu'elles sont serrées à fond.

### ⚠ PRECAUTION

**Il serait extrêmement dangereux d'utiliser cet outil électrique avec des vis mal serrées.**

- Vérifier s'il y a de la poussière.  
Enlever la poussière avec un chiffon doux ou un chiffon humecté d'eau savonneuse. Ne pas utiliser de décolorant, chlorure, essence ou diluant, car ces produits pourraient endommager le plastique.
- Inspection des bornes (outil et batterie)  
Assurez-vous qu'il n'y a pas de copeaux ou de poussières accumulés sur les bornes.  
À l'occasion, vérifier avant, pendant et après le fonctionnement.

### ⚠ PRECAUTION

**Retirez tous les copeaux ou la poussière qui se sont accumulés sur les bornes.**

**Le non-respect de cette consigne pourrait provoquer un dysfonctionnement.**

- Mise au rebut d'une batterie usée

### ⚠ AVERTISSEMENT

**Ne pas jeter la batterie usée aux ordures ménagères. La batterie risque d'exploser si elle est incinérée. L'appareil que vous avez acheté renferme une batterie rechargeable. La batterie est recyclable. Lorsqu'elle a atteint sa limite de service, selon les lois des états et les lois locales, il peut être illégal de jeter cette batterie aux ordures ménagères. Vérifier auprès de son service de ramassage d'ordures les options de recyclage et la procédure correcte de mise au rebut.**

- Rangement

Stocker l'outil électrique et la batterie dans un endroit où la température est inférieure à 104 °F (40 °C) et hors de portée des enfants.

### REMARQUE

Stockage des batteries au lithium-ion

Assurez-vous que les batteries au lithium-ion ont été entièrement chargées avant de les stocker.

Le stockage prolongé (3 mois ou plus) de batteries faiblement chargées peut entraîner une détérioration des performances, réduisant considérablement la durée d'autonomie des batteries alors incapables de tenir une charge.

Il est cependant possible de recouvrer la capacité d'autonomie d'une batterie considérablement endommagée en alternant deux à cinq fois charge et utilisation.

Si la durée d'autonomie de la batterie reste extrêmement courte malgré les charges et utilisations consécutives, considérez la batterie en fin de vie et procurez-vous en une neuve.

- Entretien et réparation

Tous les outils motorisés de qualité auront éventuellement besoin d'une réparation ou du remplacement d'une pièce à cause de l'usure normale de l'outil. Pour assurer que seules des pièces de rechange autorisées seront utilisées, tous les entretiens et les réparations doivent être effectués uniquement par UN CENTRE DE SERVICE metabo HPT AUTORISÉ.

### ⚠ PRECAUTION

**Lors de l'utilisation et de l'entretien d'un outil électrique, respecter les règlements et les normes de sécurité en vigueur dans le pays en question.**

#### **Avis important sur les batteries pour outils électriques sans fil metabo HPT**

Toujours utiliser une de nos batteries originales spécifiées. Nous ne saurions garantir la sécurité et la performance de notre outil électrique sans fil s'il est utilisé avec une batterie autre que celle que nous avons spécifié, ou encore si la batterie est démontée et modifiée (par exemple, le démontage et remplacement des cellules ou autres composants internes).

## ACCESSOIRES

### ⚠ AVERTISSEMENT

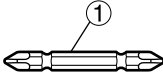

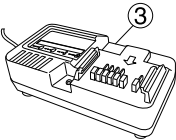
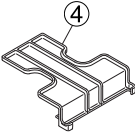
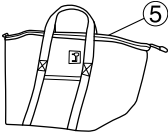

**TOUJOURS** utiliser **UNIQUEMENT** des pièces de rechange et des accessoires metabo HPT. Ne jamais utiliser de pièce de rechange ou d'accessoires qui ne sont pas prévus pour être utilisés avec cet outil. En cas de doute, contacter metabo HPT pour savoir si une pièce de rechange ou un accessoire particulier peuvent être utilisés en toute sécurité avec votre outil.

L'utilisation de tout autre attachement ou accessoire peut être dangereux et peut causer des blessures ou des dommages mécaniques.

### REMARQUE

Les accessoires sont sujets à changement sans obligation de la part de metabo HPT.

### ACCESSOIRES STANDARD

DS18DEX DV18DEX (2BGS)			
			
	① Mèche Phillips (No. 2 x 65L) (N° de code 983006) ..... 1	② Batterie (BSL1820M) ..... 1	③ Chargeur de batterie (UC18YKSL) ..... 1
	④ Couvercle de batterie (N° de code 329897) ..... 1	⑤ Sac (N° de code 375801M) ..... 1	⑥ Crochet prêt-à-assembler (N° de code 379397) ..... 1

### ACCESSOIRES EN OPTION.....vendus séparément

○ Batterie (BSL1820M)

### REMARQUE

Les spécifications sont sujettes à modification sans aucune obligation de la part de metabo HPT.

## INFORMACIÓN IMPORTANTE SOBRE SEGURIDAD

Antes de utilizar o de realizar cualquier trabajo de mantenimiento de esta herramienta eléctrica, lea y comprenda todas las precauciones de seguridad, advertencias e instrucciones de funcionamiento de este Manual de instrucciones.

La mayoría de los accidentes producidos en la operación y el mantenimiento de una herramienta eléctrica se deben a la falta de observación de las normas o precauciones de seguridad. Los accidentes normalmente podrán evitarse reconociendo una situación potencialmente peligrosa a tiempo y siguiendo los procedimientos de seguridad apropiados.

Las precauciones básicas de seguridad se describen en la sección "SEGURIDAD" de este Manual de instrucciones y en las secciones que contienen las instrucciones de operación y mantenimiento.

Para evitar lesiones o el daño de la herramienta eléctrica, los riesgos están identificados con ADVERTENCIAS en dicha herramienta y en este Manual de instrucciones.

No utilice **NUNCA** esta herramienta eléctrica de ninguna forma que no esté específicamente recomendada por metabo HPT.

## SIGNIFICADO DE LAS PALABRAS DE SEÑALIZACIÓN

**ADVERTENCIA** indica situaciones potencialmente peligrosas que, si se ignoran, pueden resultar en la muerte o en lesiones de gravedad.

**PRECAUCIÓN** indica situaciones potencialmente peligrosas que, de no evitarse, pueden resultar en lesiones menores o moderadas, o causar daños en la herramienta eléctrica.

**NOTA** acentúa información esencial.

# SEGURIDAD

## ADVERTENCIAS DE SEGURIDAD GENERAL DE LA HERRAMIENTA ELÉCTRICA

### ADVERTENCIA

**Lea todas las advertencias de seguridad, instrucciones, ilustraciones y especificaciones proporcionadas con esta herramienta eléctrica.**

Si no sigue las instrucciones que se indican a continuación, podrían producirse descargas eléctricas, incendios o lesiones graves.

**Guarde todas las advertencias e instrucciones para futura referencia.**

El término "herramienta eléctrica" en las advertencias hace referencia a la herramienta eléctrica que funciona con la red de suministro (con cable) o a la herramienta eléctrica que funciona con pilas (sin cable).1) Seguridad en el

área de trabajo

#### 1) Seguridad en el área de trabajo

a) **Mantenga la zona de trabajo limpia y bien iluminada.**

Las zonas desordenadas o oscuras pueden provocar accidentes.

b) **No utilice las herramientas eléctricas en entornos explosivos como, por ejemplo, en presencia de líquidos inflamables, gases o polvo.**

Las herramientas eléctricas crean chispas que pueden hacer que el polvo desprenda humo.

c) **Mantenga a los niños y transeúntes alejados cuando utilice una herramienta eléctrica.**

Las distracciones pueden hacer que pierda el control.

#### 2) Seguridad eléctrica

a) **Los enchufes de las herramientas eléctricas tienen que ser adecuados a la toma de corriente.**

**No modifique el enchufe.**

**No utilice enchufes adaptadores con herramientas eléctricas conectadas a tierra.**

Si no se modifican los enchufes y se utilizan tomas de corriente adecuadas se reducirá el riesgo de descarga eléctrica.

b) **Evite el contacto corporal con superficies conectadas a tierra, como tuberías, radiadores y frigoríficos.**

Hay mayor riesgo de descarga eléctrica si su cuerpo está en contacto con el suelo.

- c) **No exponga las herramientas eléctricas a la lluvia o a la humedad.**  
La entrada de agua en una herramienta eléctrica aumentará el riesgo de descarga eléctrica.
- d) **No utilice el cable incorrectamente. No utilice el cable para transportar, tirar de la herramienta eléctrica o desenchufarla.**  
**Mantenga el cable alejado del calor, del aceite, de bordes afilados o piezas móviles.**  
Los cables dañados o enredados aumentan el riesgo de descarga eléctrica.
- e) **Cuando utilice una herramienta eléctrica al aire libre, utilice un cable prolongador adecuado para utilizarse al aire libre.**  
La utilización de un cable adecuado para usarse al aire libre reduce el riesgo de descarga eléctrica.
- f) **Si no se puede evitar el uso de una herramienta eléctrica en un lugar húmedo, utilice un suministro protegido mediante un dispositivo de corriente residual (RCD).**  
El uso de un RCD reduce el riesgo de descarga eléctrica.
- 3) **Seguridad personal**
- a) **Esté atento, preste atención a lo que hace y utilice el sentido común cuando utilice una herramienta eléctrica.**  
**No utilice una herramienta eléctrica cuando esté cansado o esté bajo la influencia de drogas, alcohol o medicación.**  
La distracción momentánea cuando utiliza herramientas eléctricas puede dar lugar a importantes daños personales.
- b) **Utilice un equipo de protección. Utilice siempre una protección ocular.**  
El equipo de protección como una máscara para el polvo, zapatos de seguridad antideslizantes, casco o protección para oídos utilizado para condiciones adecuadas reducirá los daños personales.
- c) **Evite un inicio involuntario. Asegúrese de que el interruptor está en "off" antes de conectar la herramienta a una fuente de alimentación y/o batería, cogerla o transportarla.**  
El transporte de herramientas eléctricas con el dedo en el interruptor o el encendido de herramientas eléctricas con el interruptor encendido puede provocar accidentes.
- d) **Retire las llaves de ajuste antes de encender la herramienta eléctrica.**  
Si se deja una llave en una pieza giratoria de la herramienta eléctrica podrían producirse daños personales.
- e) **No se extralimite. Mantenga un equilibrio adecuado en todo momento.**  
Esto permite un mayor control de la herramienta eléctrica en situaciones inesperadas.
- f) **Vístase adecuadamente. No lleve prendas sueltas o joyas. Mantenga su pelo y la ropa alejados de las piezas móviles.**  
La ropa suelta, las joyas y el pelo largo pueden pillarse en las piezas móviles.
- g) **Si se proporcionan dispositivos para la conexión de extracción de polvo e instalaciones de recogida, asegúrese de que están conectados y se utilizan adecuadamente.**  
La utilización de un sistema de recogida de polvo puede reducir los riesgos relacionados con el polvo.
- h) **No permita que operar frecuentemente con herramientas le haga ser complaciente e ignorar los principios de seguridad de la herramienta.**  
Una acción descuidada puede provocar lesiones severas en una fracción de segundo.
- 4) **Utilización y mantenimiento de las herramientas eléctricas**
- a) **No fuerce la herramienta eléctrica. Utilice la herramienta eléctrica correcta para su aplicación.**  
La herramienta eléctrica correcta trabajará mejor y de forma más segura si se utiliza a la velocidad para la que fue diseñada.
- b) **No utilice la herramienta eléctrica si el interruptor no la enciende y apaga.**  
Las herramientas eléctricas que no pueden controlarse con el interruptor son peligrosas y deben repararse.
- c) **Desconecte el conector de la fuente de alimentación o desconecte el paquete de baterías, si puede ser desmontado, de la herramienta eléctrica antes de realizar ajustes, cambiar accesorios o almacenar las herramientas eléctricas.**  
Estas medidas de seguridad preventivas reducen el riesgo de que la herramienta eléctrica se ponga en marcha accidentalmente.
- d) **Guarde las herramientas eléctricas que no se utilicen para que no las cojan los niños y no permita que utilicen las herramientas eléctricas personas no familiarizadas con las mismas o con estas instrucciones.**  
Las herramientas eléctricas son peligrosas si son utilizadas por usuarios sin formación.
- e) **Mantenga adecuadamente las herramientas eléctricas y los accesorios. Verifique el fallo de alineación o de unión de las partes móviles, la rotura de las partes y otras condiciones que puedan afectar a la operación de la herramienta eléctrica. Si sufre daños, solicite una reparación de la herramienta eléctrica antes de ser utilizada.**

Se producen muchos accidentes por no realizar un mantenimiento correcto de las herramientas eléctricas.

- f) **Mantenga las herramientas de corte afiladas y limpias.**  
Las herramientas de corte correctamente mantenidas con los bordes de corte afilados son más fáciles de controlar.
  - g) **Utilice la herramienta eléctrica, los accesorios y las brocas de la herramienta, etc. de acuerdo con estas instrucciones, teniendo en cuenta las condiciones laborales y el trabajo que se va a realizar.**  
La utilización de la herramienta eléctrica para operaciones diferentes a pretendidas podría dar lugar a una situación peligrosa.
  - h) **Mantenga los asideros y las superficies de agarre secas, limpias y libres de aceite y grasa.**  
Los asideros y las superficies de agarre resbaladizas no permiten un manejo y un control seguros de la herramienta en situaciones inesperadas.
- 5) **Utilización y cuidado de las herramientas a pilas**
- a) **Recargue sólo con el cargador especificado por el fabricante.**  
Un cargador que es apto para un tipo de paquete de pilas podría crear un riesgo de incendio cuando se utiliza con otro paquete de pilas.
  - b) **Utilice herramientas eléctricas sólo con paquetes de pilas específicamente diseñados.**  
La utilización de otros paquetes de pilas podría crear riesgo de daños e incendio.
  - c) **Cuando no se utilice el paquete de pilas, manténgalo alejado de otros objetos metálicos como clips, monedas, llaves, clavos, tornillos u otros objetos metálicos pequeños que puedan hacer una conexión de un terminal a otro.**  
Si se acortan los terminales de las pilas podrían producirse quemaduras o incendios.
  - d) **Bajos condiciones abusivas, podría expulsarse líquido de la pila; evite todo contacto. En caso de que se produzca contacto accidentalmente, enjuague con agua. Si entra líquido en los ojos, busque ayuda médica.**  
El líquido expulsado de la pila podría causar irritación o quemaduras.
  - e) **No use paquetes de baterías o herramientas dañados o modificados.**  
Las baterías dañadas o modificadas podrían comportarse impredeciblemente y causar un incendio, una explosión o riesgo de lesiones.

- f) **No exponga los paquetes de batería o las herramientas al fuego o temperaturas excesivas.**

La exposición al fuego o a temperaturas por encima de 265 °F pueden causar una explosión.

- g) **Siga todas las instrucciones de carga y no cargue el paquete de baterías ni la herramienta fuera de la gama de temperatura especificada en las instrucciones.**

La carga incorrecta o a temperaturas fuera de la gama especificada pueden dañar la batería y aumentar el riesgo de incendio.

## 6) Revisión

- a) **Lleve su herramienta a que la revise un experto cualificado que utilice sólo piezas de repuesto idénticas.**

Esto garantizará el mantenimiento de la seguridad de la herramienta eléctrica.

- b) **Nunca dé servicio a paquetes de baterías dañados.**

El servicio de los paquetes de baterías solo debe ser realizado por el fabricante o proveedores de servicios autorizados.

## – ADVERTENCIA –

Para disminuir el riesgo de lesiones, el usuario debe leer el manual de instrucciones.

## NORMAS Y SÍMBOLOS ESPECÍFICOS DE SEGURIDAD

1. **Emplee siempre protectores auditivos cuando tenga que utilizar la herramienta durante mucho tiempo.**



La exposición prolongada a ruido de gran intensidad puede causar la pérdida del sentido del oído.

2. **Utilice los mangos auxiliares.**  
La pérdida de control puede causar daños personales.
3. **Sostenga la herramienta eléctrica por las superficies de agarre aisladas cuando deba realizar una operación en la que el accesorio de corte o los sujetadores puedan entrar en contacto con cables ocultos.**  
El accesorio de corte o los sujetadores que entren en contacto con un cable "con corriente" pueden hacer que las partes metálicas expuestas de la herramienta eléctrica se "energicen" y podrían provocar una descarga eléctrica al operador.

4. Asegúrese de sostener la herramienta con firmeza durante su funcionamiento. De lo contrario, podría sufrir un accidente o lesiones. (Fig. 1)

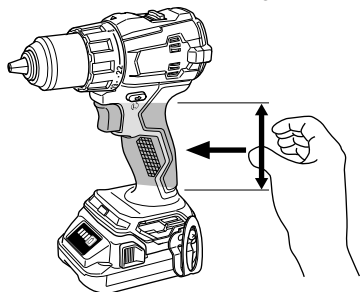


Fig. 1

5. No coloque las manos ni otras partes del cuerpo cerca de la broca ni del portabrocas durante la operación. Sujete el taladro detornillador solamente por su empuñadura.
6. Debido a que la herramienta inalámbrica funciona con energía de la batería, tenga en cuenta que puede comenzar a funcionar en cualquier momento.
7. Cuando trabaje en lugares elevados, despeje el área de otras personas y tenga en cuenta las condiciones que haya debajo de usted.
8. **No toque nunca las piezas móviles.**  
No coloque nunca sus manos, dedos, ni demás partes del cuerpo cerca de las piezas móviles de la herramienta.
9. **No utilice nunca la herramienta sin los protectores colocados en su lugar.**  
No utilice nunca esta herramienta sin los protectores de seguridad correctamente instalados. Si el trabajo de mantenimiento o de reparación requiere el desmontaje de un protector de seguridad, cerciórese de volver a instalarlo antes de utilizar la herramienta.
10. **Utilice la herramienta correcta.**  
No fuerce herramientas ni accesorios pequeños para realizar un trabajo pesado.  
No utilice las herramientas para fines no proyectados, por ejemplo, no utilice esta amoladora angular para cortar madera.
11. **No utilice nunca una herramienta eléctrica para aplicaciones que no sean las especificadas.**  
No utilice nunca una herramienta eléctrica para aplicaciones no especificadas en este manual de instrucciones.
12. **Maneje correctamente la herramienta.**  
Maneje la herramienta de acuerdo con las instrucciones ofrecidas aquí. No deje caer ni tire la herramienta. No permita nunca que los niños ni otras personas no autorizadas ni familiarizadas con la operación de la herramienta utilicen ésta.

13. **Mantenga todos los tornillos, pernos, y cubiertas firmemente fijados en su lugar.**

Mantenga todos los tornillos, pernos, y cubiertas firmemente montados. Compruebe periódicamente su condición.

14. **No utilice herramientas eléctricas si la carcasa o la empuñadura de plástico está rajada.**

Las rajaduras en la carcasa o en la empuñadura de plástico pueden conducir a descargas eléctricas. Tales herramientas no deberán utilizarse mientras no se hayan reparado.

15. **Los accesorios deben estar instalados correctamente a la herramienta.**

Evite lesiones personales y de otras personas. Los accesorios hayan sido instalados a la herramienta deben estar bien asegurados y ajustados.

16. **No utilice nunca una herramienta defectuosa o que funcione anormalmente.**

Si la herramienta parece que funciona anormalmente, produciendo ruidos extraños, etc., deje inmediatamente de utilizarla y solicite su arreglo a un centro de reparaciones autorizado por metabo HPT.

17. **Maneje con cuidado las herramientas eléctricas.**

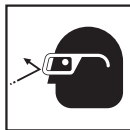
Si una herramienta eléctrica se ha caído o ha chocado inadvertidamente contra materiales duros, es posible que se haya deformado, rajado, o dañado.

18. **No limpie las partes de plástico con disolvente.**

Los disolventes, como gasolina, diluidor de pintura, bencina, tetracloruro de carbono, y alcohol pueden dañar o rajar las partes de plástico. No las limpie con tales disolventes.

Limpie las partes de plástico con un paño suave ligeramente humedecido en agua jabonosa y después séquelas bien.

19. Siempre utilice protección para los ojos que satisfaga los requisitos de la última versión de la norma Z87.1 de ANSI.



20. Como la herramienta eléctrica inalámbrica opera con alimentación de batería, tenga en cuenta el hecho de que puede comenzar a operar en cualquier momento.
21. Cuando trabaje en lugares elevados, no permita que haya nadie en el área, y tenga en cuenta las condiciones del lugar situado debajo de usted.
22. No use el producto si la herramienta o los terminales de la batería (el soporte de la batería) están deformados.  
Instalar tal batería podría causar un cortocircuito que podría resultar en emisiones de humo o incendios.
23. Mantenga los terminales de la herramienta (soporte de la batería) libres de virutas y polvo.

- Antes de su uso, asegúrese de que no se han acumulado virutas ni polvo en la zona de los terminales.
  - Durante el uso, intente evitar que las virutas o el polvo de la herramienta caigan sobre la batería.
  - Al suspender la operación o tras el uso, no deje la herramienta en un área donde pueda estar expuesta a las virutas o al polvo que caen.
24. De lo contrario, podría causar un cortocircuito que podría resultar en emisiones de humo o incendios.
  25. Utilice siempre la herramienta y la batería a temperaturas entre 23°F (-5°C) y 104°F (40°C).
  26. Definiciones para los símbolos utilizados en esta herramienta
    - V ..... voltios
    - ..... corriente continua
    - No ..... velocidad sin carga
    - /min ..... revoluciones o reciprocación por minuto

2. Antes de utilizar el cargador de baterías, lea todas las instrucciones y tenga en cuenta las marcas de precaución de (1) el cargador de baterías, (2) la batería, y (3) el producto que utiliza la batería.
3. Para reducir el riesgo de sufrir lesiones, cargue las baterías recargables metabo HPT de la serie BSL18 y serie multivoltaje. Otros modelos de baterías podrían explotar causando lesiones y daños.
4. La utilización de un accesorio no recomendado o vendido por el fabricante del cargador de baterías puede resultar en el riesgo de incendios, en descargas eléctricas, o en lesiones.
5. Para reducir el riesgo de dañar el cable y el enchufe, para desconectar el cable del cargador de baterías, tire del enchufe.
6. Cerciórese de que el cable quede situado donde no pueda pisarse, donde nadie pueda tropezar con él, y donde no pueda recibir daños.
7. A menos que sea absolutamente necesario, no deberá utilizarse un cable prolongador. La utilización de un cable prolongador inadecuado podría resultar en el riesgo de incendios y descargas eléctricas. Cuando tenga que utilizar un cable prolongador, cerciórese de que:

**INSTRUCCIONES IMPORTANTES DE SEGURIDAD PARA EL CARGADOR DE BATERÍAS**

**⚠ ADVERTENCIA**

**La utilización inadecuada del cargador de baterías puede resultar en lesiones serias o en la muerte. Para evitar estos riesgos, siga las instrucciones de seguridad ofrecidas a continuación.**

**LEA TODAS LAS INSTRUCCIONES**

1. Este manual contiene instrucciones importantes de seguridad para el cargador de baterías modelo UC18YKSL.

Tabla 1

**CALIBRE (AWG) MÍNIMO RECOMENDADO PARA CABLES PROLONGADORES PARA EL CARGADOR DE BATERÍAS**

Amperaje nominal de entrada de CA*		Calibre (AWG) del cable			
Igual o superior a	pero inferior a	Longitud del cable, Pies (metros)			
		25 (7.5)	50 (15)	100 (30)	150 (45)
0	2	18	18	18	16
2	3	18	18	16	14
3	4	18	18	16	14

\* Si la entrada nominal del cargador de baterías se indica en vatios en vez de amperios, el amperaje nominal correspondiente se determinará dividiendo el vataje por la tensión, por ejemplo:

$$\frac{1,250 \text{ vatios}}{125 \text{ voltios}} = 10 \text{ amperios}$$

8. No utilice el cargador de baterías con un cable o un enchufe dañado. Si están dañados, reemplácelos inmediatamente.

9. No utilice el cargador de baterías si ha recibido un golpe, si ha caído, o si está dañado de alguna otra forma. Llévelo a un técnico cualificado.
10. No desarme el cargador de baterías. Cuando necesite reparación, llévelo a un técnico cualificado. El reensamblaje incorrecto podría resultar en el riesgo de incendios o descargas eléctricas.



11. Para reducir el riesgo de descargas eléctricas, desenchufe el cargador del tomacorriente antes de intentar realizar cualquier operación de mantenimiento o de limpiarlo. La extracción de la batería no reducirá este riesgo.

## **INSTRUCCIONES IMPORTANTES DE SEGURIDAD PARA LA BATERÍA Y EL CARGADOR DE BATERÍAS**

Usted deberá cargar la batería antes de utilizar la herramienta eléctrica. Antes de utilizar el cargador de baterías modelo UC18YKSL, cerciórese de leer todas las instrucciones y precauciones del mismo, de la batería, y de este manual.

### **⚠ PRECAUCIÓN**

**¡UTILICE SOLAMENTE BATERÍAS metabo HPT. LOS DEMÁS MODELOS DE BATERÍAS PODRÍAN EXPLOTAR Y CAUSAR LESIONES!**

Para evitar el riesgo de lesiones, siga las instrucciones ofrecidas a continuación:

### **⚠ ADVERTENCIA**

**La utilización inadecuada de la batería o del cargador de baterías puede conducir a lesiones serias. Para evitar estas lesiones:**

1. **NUNCA** desarme la batería.
2. **NUNCA** incinere una batería, aunque esté dañada o completamente agotada.
3. **NUNCA** cortocircuite la batería.
4. **NUNCA** inserte ningún objeto en las ranuras de ventilación del cargador. Si lo hiciese podría recibir descargas eléctricas o dañar el cargador de baterías.
5. **NUNCA** cargue en exteriores. Mantenga la batería alejada de la luz solar directa, y utilícela solamente donde haya poca humedad y una buena ventilación.
6. **NUNCA** cargue cuando la temperatura sea inferior a 32°F (0°C) o superior a 104°F (40°C).
7. **NUNCA** conecte dos cargadores de baterías juntos.
8. **NUNCA** inserte objetos extraños en el orificio para la batería ni en el cargador de baterías.
9. **NUNCA** utilice un transformador elevador para cargar.
10. **NUNCA** utilice un motogenerador ni tensión de CC para cargar.
11. **NUNCA** almacene la batería ni el cargador de la batería en lugares en los que la temperatura pueda llegar a los 104°F (40°C) o superar dicha temperatura, como dentro de una caja metálica o un auto.
12. **NUNCA** exponga la batería ni el cargador de la batería a condiciones de lluvia o humedad.

13. **SIEMPRE** utilice el cargador con un tomacorriente (120 voltios). La utilización de un cargador con cualquier otra tensión podría hacer que éste se recalentase y dañase.
14. **SIEMPRE** espere 15 minutos por lo menos entre las cargas para evitar que el cargador se recaliente.
15. **SIEMPRE** desconecte el cable de alimentación del tomacorriente cuando no vaya a utilizar el cargador.

## **ADVERTENCIA DE LA BATERÍA DE LITIO**

Para ampliar su duración, la batería de litio está equipada con la función de protección para detener la salida.

En los casos 1 a 3 descritos más abajo, cuando utilice este producto, incluso si tira del interruptor, el motor puede detenerse. No es un problema, sino el resultado de la función de protección.

1. Cuando la batería restante se agota, el motor se detiene.  
En este caso, cárguela inmediatamente.
2. Si la herramienta se sobrecarga, el motor puede detenerse. En este caso, suelte el interruptor de la herramienta y elimine las causas de la sobrecarga. A continuación, puede volverla a utilizar.
3. Si la batería se calienta excesivamente al realizar un trabajo de sobrecarga, la potencia de la batería podría pararse.  
En este caso, deje de utilizar la batería y deje que se enfríe. Posteriormente puede utilizarla de nuevo.

Asimismo, preste atención a las siguientes advertencias y precauciones.

### **⚠ ADVERTENCIA**

Para evitar fugas de la batería, generación de calor, emisión de humo, explosiones e igniciones, preste atención a las siguientes precauciones.

1. Asegúrese de que no entran virutas o polvo en la batería.
  - Durante el trabajo, asegúrese de que no caen virutas o polvo en la batería.
  - Asegúrese de que las virutas o el polvo que caen sobre la herramienta eléctrica durante el trabajo no entran en la batería.
  - No almacene una batería sin utilizar en un lugar expuesto a virutas y polvo.
  - Antes de almacenar una batería, retire las virutas y el polvo que se haya adherido y no la almacene junto a piezas metálicas (tornillos, clavos, etc.).
2. No agujereee la batería con un objeto afilado como un clavo, no la golpee con un martillo, la pise, la tire o la exponga a fuertes impactos físicos.
3. No utilice una batería que pudiera estar dañada o deformada.
4. No utilice la batería para un fin diferente a los especificados.

5. Si la carga de la batería no finaliza incluso cuando ha transcurrido un determinado tiempo de recarga, detenga inmediatamente la recarga.
6. No coloque o exponga la batería a temperaturas elevadas o alta presión como en un microondas, una secadora o un contenedor de gran presión.
7. Aléjela del fuego inmediatamente cuando se detecte una fuga o un olor raro.
8. No la utilice en un lugar donde se genere gran electricidad estática.
9. Si hay una fuga de la batería, mal olor, se genera color, está descolorida o deformada, o de algún modo funciona de forma anormal durante su utilización, recarga o almacenamiento, retírela inmediatamente del equipo o del cargador de la batería y detenga su utilización.
10. No sumerja la batería ni permita que fluidos entren en ella. La entrada de líquidos conductores, como el agua, puede provocar daños que resulten en incendios o explosiones. Guarde la batería en un lugar fresco y seco, alejado de los materiales combustibles e inflamables. Las atmósferas con gases corrosivos deben ser evitadas.

**⚠ PRECAUCIÓN**

1. Si el líquido de fuga de la batería entra en contacto con los ojos, no se los frote y lávelos bien con agua limpia como, por ejemplo, agua del grifo y póngase en contacto con un médico inmediatamente. Si no se trata, el líquido podría causar problemas de visión.
2. Si el líquido de fuga entra en contacto con la piel o la ropa, lávela bien con agua limpia como, por ejemplo, agua del grifo inmediatamente. Podría producir irritación de la piel.
3. Si observa óxido, mal olor, recalentamiento, decoloración, deformación y/u otras irregularidades al utilizar la batería por primera vez, no la utilice y devuélvasela a su proveedor o distribuidor.

**⚠ ADVERTENCIA**

Si un objeto extraño conductor de electricidad entra en los terminales de la batería de litio, podría producirse un cortocircuito, resultando en un riesgo de incendio. Por favor, respete los siguientes consejos cuando almacene la batería.

- No coloque cortes conductivos, clavos, cables de acero, cables de cobre u otros cables en la caja de almacenamiento.
- Instale el paquete de baterías en la herramienta eléctrica o almacénelo presionando la tapa de baterías hasta que se oculten los orificios de ventilación para evitar cortocircuitos. (Ver Fig. 4)

**A PROPÓSITO DEL TRANSPORTE DE LA BATERÍA DE IONES DE LITIO**

Al transportar una batería de iones de litio, tenga en cuenta las siguientes precauciones.

**⚠ ADVERTENCIA**

Notifique a la compañía de transporte que un paquete contiene una batería de iones de litio, informe a la compañía eléctrica de su potencia de salida y siga las instrucciones de la compañía de transporte al preparar su transporte.

- Las baterías de iones de litio que superen una potencia de salida de 100 Wh se considera que son materiales peligrosos en la Clasificación de Transporte y requieren procedimientos de aplicación especiales.
- Para el transporte en el extranjero, deberá cumplir con las leyes internacionales y las normas y regulaciones del país de destino.

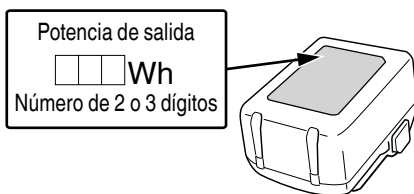


Fig. 2

**¡GUARDE ESTAS INSTRUCCIONES  
Y  
PÓNGALAS A DISPOSICIÓN DE OTROS USUARIOS  
Y  
PROPIETARIOS DE ESTA HERRAMIENTA!**

# DESCRIPCIÓN FUNCIONAL

## NOTA

La información contenida en este Manual de instrucciones ha sido diseñada para ayudarle a utilizar con seguridad y mantener esta herramienta eléctrica.

**NUNCA** haga funcionar ni efectúe el mantenimiento de la herramienta antes de leer y comprender todas las instrucciones de seguridad contenidas en este manual.

Algunas ilustraciones de este Manual de Instrucciones pueden mostrar detalles o accesorios diferentes a los de la propia herramienta eléctrica.

## NOMENCLATURA

### 1. Taladro atornillador inalámbrico / Taladro de percusión inalámbrico

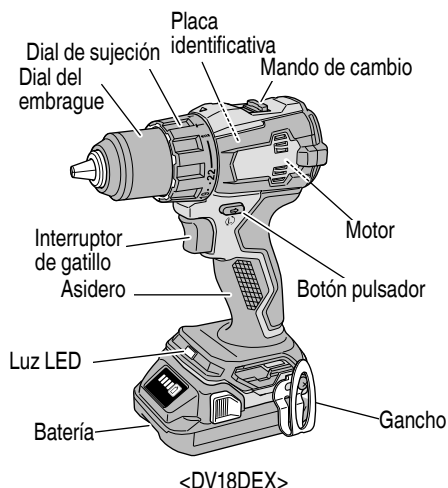
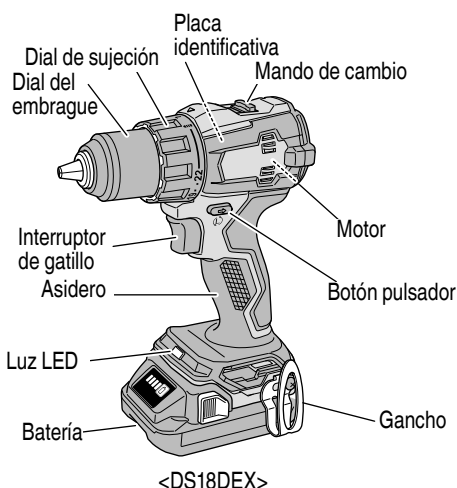


Fig. 3

### 2. Batería

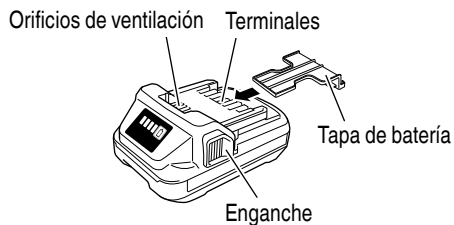


Fig. 4

### 3. Cargador de baterías

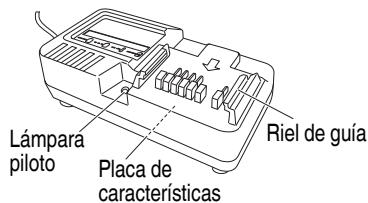


Fig. 5

**ESPECIFICACIONES**

## 1. Taladro atornillador inalámbrico / Taladro de percusión inalámbrico

Modelo		DS18DEX	DV18DEX
Motor		Motor de corriente continua sin escobillas	
Velocidad sin carga	Baja	0-550 /min	
	Alta	0-2,000 /min	
Velocidad de impacto	Baja	————	0-8,250 /min
	Alta	————	0-30,000 /min
Capacidad	Taladro	Ladrillo*1	————
		Madera*1 (Madera blanda)	2 pulg. (52 mm)
		Metal Capacidad*1 (Acero dulce)	1/2 pulg. (13 mm)
	Destornillador	Tornillo para madera	3/8 x 4 pulg. (10 mm x 100 mm)
		Tornillo pequeño	1/4 pulg. (6 mm)
Capacidad del portabrocas		Diámetro máximo de sujeción 1/2 pulg. (13 mm)	
Batería	Modelo	BSL1820M	
	Tipo	Batería de Li-ion	
	Tensión	CC 18 V	
Peso		3.5 lbs. (1.6 kg) (BSL1820M instalada)	

\*1 Ladrillo: Profundidad 1-1/4 pulg. (30 mm),  
Lana: Espesor 1-1/2 pulg. (38 mm),  
Metal: Espesor 1/16 pulg. (1.6 mm)

## 2. Cargador de baterías

Modelo	UC18YKSL
Fuente de alimentación de entrada	Monofásica: 120 V CA, 60 Hz
Tiempo de carga (A una temperatura de 68°F (20°C))	BSL1820M : Aprox. 60 min
Tensión de carga	14.4 V-18 V CC
Corriente de carga	2.0 A CC
Peso	0.8 libras (0.35 kg)

**NOTA:** El tiempo de carga pueda variar de acuerdo con la temperatura y la tensión de la fuente de alimentación.

# MONTAJE Y OPERACIÓN

## APLICACIONES

<DV18DEX>

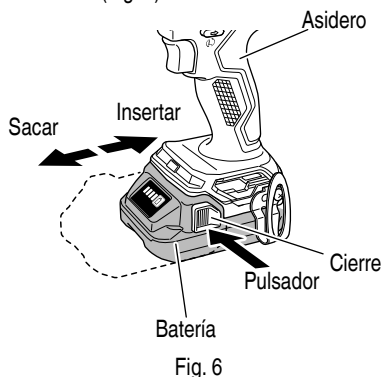
- Usar como taladro de percusión  
Taladrado de ladrillos blandos y bloques de hormigón.

<DS18DEX / DV18DEX>

- Utilización como taladro  
Taladrado de materiales de acero dulce, madera, plástico, y aluminio
- Utilización como destornillador  
Apriete y aflojado de tornillos para metal, tornillos para madera, y tornillos autorroscantes.

## MÉTODO DE EXTRACCIÓN E INSTALACIÓN DE LA BATERÍA

- Forma de instalar la batería  
Alinee la batería con la ranura de la empuñadura de la herramienta y deslícela en su lugar. Insértela siempre completamente hasta que se encuentre cerca (Fig.6).
- Forma de extraer la batería  
Extraiga la batería de la empuñadura de la herramienta mientras presiona el enganche (2 pzas.) de la batería (Fig. 6).



## MÉTODO DE CARGA

### NOTA

Antes de enchufar el cargador en un tomacorriente, tenga en cuenta los puntos siguientes.

- La tensión de la fuente de alimentación está indicada en la placa de características.
- El cable no deberá estar dañado.

### ⚠ ADVERTENCIA

No cargue con una tensión superior a la indicada en la placa de características.

Si cargase con una tensión superior a la indicada en la placa de características, el cargador se quemaría.

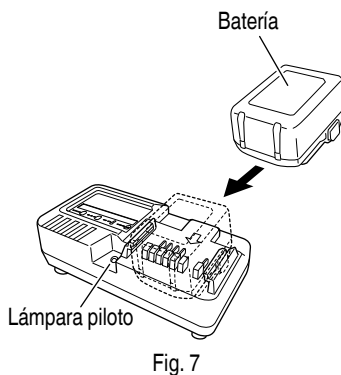
1. Enchufe el cable de alimentación del cargador a un tomacorriente de CA.  
Cuando haya conectado el enchufe del cargador a una toma de la red, la lámpara piloto se encenderá en rojo. (A intervalos de 1 segundo)



### ⚠ ADVERTENCIA

No utilice el cargador si su cable está dañado. Haga que se lo reparen inmediatamente.

2. Inserte la batería en el cargador de baterías. Inserte la batería en el cargador de baterías como se muestra en la Fig. 7. Cerciérese de que haya quedado en contacto con la base del cargador de baterías.



3. Carga




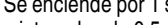
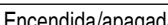
- Cuando inserte la batería en el cargador de baterías, se iniciará la carga, y la lámpara piloto se encenderá en rojo. (Consulte la Tabla 2)

### NOTA

Si la lámpara piloto no se enciende o parpadea en rojo, desconecte el enchufe del tomacorriente y compruebe si la batería está correctamente insertada.

- Cuando la batería se haya cargado completamente, la lámpara parpadeará lentamente en rojo. (A intervalos de 1 segundo) (Consulte la Tabla 2)
- (1) Indicaciones de la lámpara piloto  
Las indicaciones de la lámpara piloto mostradas en la Tabla 2, se producirán de acuerdo con la condición del cargador o de la batería.

Tabla 2

Indicaciones de la lámpara indicadora (RED)		
Antes de la carga	Encendida/apagada en intervalos de 0,5 s 	Conectada a la fuente de alimentación
Durante la carga	Se enciende de forma continua 	—
Carga completa	Encendida/apagada en intervalos de 0,5 s 	—
Espera por recalentamiento	Se enciende por 1 s a intervalos de 0,5 s 	Batería recalentada. No puede cargarse.*
Carga imposible	Encendida/apagada en intervalos de 0,1 s 	Mal funcionamiento de la batería o del cargador

\* La carga comenzará cuando la batería se enfríe

- (2) Temperatura de la batería  
La temperatura de la batería recargable se muestra en la Tabla 3 y, si la batería se ha calentado, habrá que dejar que se enfríe durante cierto tiempo antes de recargarla.

Tabla 3 Márgenes de carga de las baterías

Batería recargable	Temperatura a la que podrá recargarse la batería
BSL1820M	32°F–122°F (0°C–50°C)

- (3) Tiempo de carga (A 68°F (20°C))

Tabla 4 Tiempo de carga

Batería	Cargador
BSL1820M	UC18YKSL Aprox. 60 min

**NOTA**

El tiempo de carga pueda variar de acuerdo con la temperatura y la tensión de la fuente de alimentación.

- 4. Desconecte el cargador de baterías del tomacorriente.

**⚠ PRECAUCIÓN**  
**No desconecte el cable del tomacorriente tirando del mismo.**  
**Cerciérese de tirar del enchufe para desconectarlo del tomacorriente a fin de evitar dañar el cable.**

- 5. Extraiga la batería del cargador de baterías. Sujetando el cargador de baterías con una mano, extraiga la batería del mismo.

**NOTA**

Asegúrese de extraer la batería del cargador de baterías después del uso, y guárdela después.

**Descarga eléctrica en caso de baterías nuevas, etc.**

Como la sustancia química interna de las baterías nuevas o las que no se hayan utilizado durante mucho tiempo no está activada, la descarga eléctrica puede ser inferior cuando se utilicen por primera y segunda vez. Este fenómeno es temporal, y el tiempo normal requerido para la recarga se restablecerá recargando las baterías 2–3 veces.

**Forma de hacer que las baterías duren más.**

- (1) Recargue las baterías antes de que se hayan agotado completamente.  
Si siente que la potencia de la herramienta eléctrica se debilita, deje de utilizarla y recargue su batería. Si continuase utilizando la herramienta hasta agotar la capacidad de la batería, ésta podría dañarse y su duración útil podría acortarse.
- (2) Evite realizar la recarga a altas temperaturas  
Una batería se calentará inmediatamente después de haberla utilizado. Si recargase tal batería inmediatamente después de haberla utilizado, su sustancia química interna se deterioraría, y la duración útil de la batería se acortaría. Deje la batería y recárguela después de que se haya enfriado durante cierto tiempo.

**⚠ PRECAUCIÓN**

- Si utiliza continuamente el cargador de baterías, éste se calentará, lo que puede causar averías. Después de haber finalizado la carga, espere 15 minutos antes de realizar la carga siguiente.
- Si carga la batería mientras esté caliente por haber estado mucho tiempo en un lugar sometido a la luz solar directa, o por haber acabado de utilizarla, la lámpara de piloto del cargador parpadea durante 1 segundo y no se enciende durante 0.5 segundos (apagada durante 0.5 segundos).  
La batería no se cargará. En tal caso, deje que la batería se enfríe antes de cargarla.
- Cuando la lámpara piloto destelle (a intervalos de 0.2 segundos), realice una comprobación y extraiga los objetos extraños de la batería del cargador. Si no hay ningún objeto extraño, es posible que la batería o el cargador funcione mal. Llévelos a un agente de servicio técnico autorizado.

**ANTES DE LA UTILIZACIÓN**

Compruebe el área de trabajo para cerciorarse de que esté libre de escombros y bien ordenada. Despeje el área de personal innecesario. Cerciórese de que la iluminación y la ventilación sean adecuadas.

**OPERACIÓN**

## 1. Montaje y desmontaje de la broca.

## (1) Montaje de la broca

Afloje el manguito girándolo hacia la izquierda (en el sentido contrario a las agujas del reloj visto desde el frente) para abrir las mordazas del portabrocas sin llave. Después de insertar una broca, etc., en el portabrocas sin llave, apriete el manguito girándolo hacia la derecha (en el sentido de las agujas del reloj visto desde el frente) (Consulte la Fig. 8).

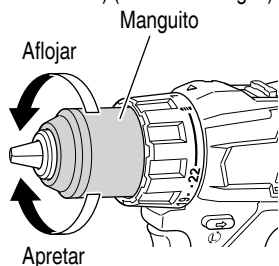


Fig. 8

**⚠ PRECAUCIÓN**

Cuando instale una broca en el portabroca sin llave, apriételo firmemente. Si el manguito no está apretado, la broca podría zafarse o caerse, y producir lesiones.

**NOTA**

Si el manguito se llegara a aflojar durante la operación, vuélvalo a apretar. La fuerza de apriete se vuelve mayor al apretarse el manguito.

## (2) Desmontaje de la broca

Afloje el manguito girándolo hacia la izquierda (en el sentido contrario a las agujas del reloj visto desde el frente), y extraiga la broca, etc. (Consulte la Fig. 8)

**NOTA**

- Si aprieta el manguito con las mordazas del portabrocas sin llave abiertas hasta el límite máximo, se podría escuchar un ruido de clic. Este ruido es producido por el portabrocas sin llave para evitar que se afloje, y no es una anomalía.
- Cuando el manguito no pueda desatornillarse, sujete la herramienta insertada en un tornillo de carpintero, etc. ajuste el modo de embrague a 1-11, y gire el manguito hacia la izquierda mientras accione el embrague.

## 2. Confirmar que la batería está puesta correctamente.

## 3. Examinar la dirección de rotación.

La broca rota hacia la derecha (mirándola desde atrás) al oprimir el lado R (der.) del botón pulsador. El lado L (izq.) del botón pulsador se usa para hacer girar la broca a la izquierda (Vea las Fig. 9). (Las marcas 'L' y 'R' están en el cuerpo del taladro.)

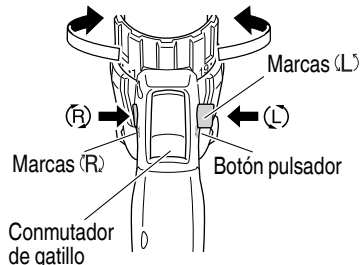
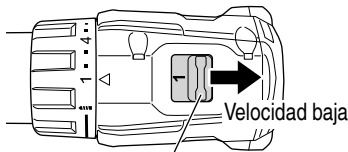


Fig. 9

**⚠ PRECAUCIÓN**

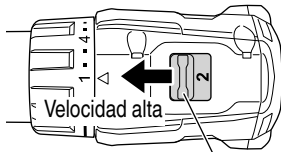
El botón pulsador no podrá utilizarse mientras el motor de la herramienta eléctrica está girando. Para accionarlo, parar en primer lugar el motor de la herramienta eléctrica.

4. Cambio de velocidad de rotación.



Mando de cambio

Fig. 10



Mando de cambio

Fig. 11

Operar la perilla de cambio para cambiar la velocidad de rotación. Oprimir el botón de cierre para desenganchar el cerrojo y mover la perilla de cambio en la dirección de la flecha (Ver las Figs. 10 y 11). Cuando la perilla de cambio se deja en "1", el taladro gira despacio, mientras que en la marca "2" gira rápidamente.

**⚠ PRECAUCIÓN**

- Cuando la velocidad de rotación se cambia con la perilla de cambio, confirme que el interruptor esté apagado. Cambiar la velocidad mientras rota el motor puede hacer que se dañen los engranajes.
- Cuando se requiera una gran fuerza para la operación (operaciones indicadas en la tabla siguiente) ponga el mando de cambio en "2". Si estuviese en "1" al utilizar la unidad, el motor podría quemarse o funcionar mal prematuramente.

5. Ambito y sugerencias para las utilizaciones  
El ámbito de utilización para los diversos tipos de trabajos basados en la estructura mecánica de esta unidad es como se indica en la Tabla 5.

Tabla 5

Trabajo		Posición de la tapa	Sugerencias
Taladrado	Ladrillos (DV18DEX)	T	Utilización para fines de taladrado.
	Madera	▬	Utilización para fines de taladrado.
	Acero		
	Aluminium		
Apriete de tornillos	Tornillo pequeño	1-22	Utilice la broca y el cubo adecuados al diámetro del tornillo.
	Tornillos para madera	1-▬	Utilice después de haber taladrado un orificio piloto.



6. Confirmar la posición del dial del embrague (Ver la Fig. 12).

<DS18DEX>

El par de apriete de esta unidad se puede ajustar en base a la posición de ajuste del dial del embrague.

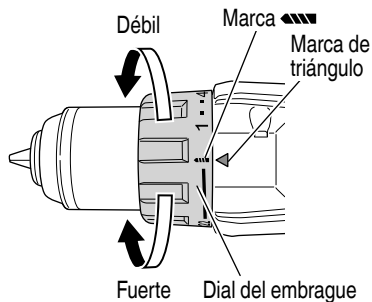


Fig. 12

- (1) Cuando utilice esta unidad como destornillador, alinee uno de los números "1, 4, 7 ... 22" del dial del embrague, o los puntos, con la marca de triángulo del cuerpo exterior.
- (2) Cuando utilice esta unidad como taladro, alinee la marca de taladro "▲" del dial del embrague con la marca de triángulo del cuerpo exterior.

### ⚠ PRECAUCIÓN

- El dial del embrague no se puede ajustar entre los números "1, 4, 7 ... 22" ni los puntos.
- Evite usar la unidad con el número del dial del embrague entre "22" y la línea provista en el medio de la marca del taladro "▲". Si lo hiciese, se podrían producir daños (Consulte la Fig. 13).

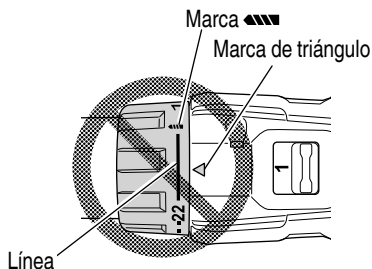


Fig. 13

<DV18DEX> (Fig. 14)

La posición del dial del embrague de esta unidad permite conmutar entre los tres modos, de atornillador, de taladro y de taladro de percusión.

- (1) Cuando utilice esta unidad como atornillador, alinee uno de los números "1, 4, 7... 22" del dial del embrague, o el punto, con la marca de triángulo de la tapa exterior.

- (2) Cuando utilice esta unidad como taladro, alinee la marca de taladro "▲" del dial del embrague con la marca de triángulo del cuerpo exterior.

- (3) Cuando utilice esta unidad como un taladro de percusión, hacer coincidir la marca de martillo "T" del dial del embrague con la marca de triángulo del cuerpo exterior.

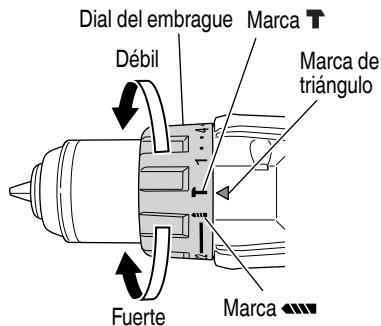


Fig. 14

### ⚠ PRECAUCIÓN

- El dial del embrague no puede ajustarse entre los números "1, 4, 7 ... 22" o el punto.
- No usar con el dial del embrague en el número "22" y la línea en el medio de la marca de taladro. Si lo hiciese, se podrían producir daños. (Consulte la Fig. 15)

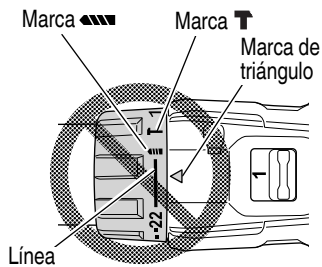


Fig. 15

7. Cambio de rotación a percusión (DV18DEX)

Es posible conmutar entre "Rotación (rotación solamente)" y "Percusión (percusión + rotación)" alineando la marca de taladro "▲" y la marca de percusión "T" con la marca de triángulo del cuerpo exterior.

- Para hacer agujeros en metal, madera o plástico, cambie a "Rotación (rotación solamente)".
- Para hacer agujeros en ladrillos o bloques de hormigón, cambie a "Percusión (percusión + rotación)".

## ⚠ PRECAUCIÓN

**No utilice el taladro atornillador de impacto a batería en el ajuste "Hammer" si el material se puede perforar mediante rotación solamente. Tal acción no sólo reducirá la eficiencia de taladrado, sino que se podrá dañar la broca de taladro.**

8. Ajuste del par de apriete.

(1) Par de apriete

La intensidad del par de apriete deberá corresponder con el diámetro del tornillo. Cuando se utiliza un par excesivo el tornillo se romperá o se dañará su cabeza. Asegúrese de ajustar la posición del dial del embrague de acuerdo con el diámetro del tornillo.

Consulte la Tabla 6 para conocer los pares de apriete de la posición del disco del embrague.

(2) Indicación del par de apriete (Consulte las Figs. 12 y 14)

El par de apriete difiere según el tipo de tornillo y del material que se está apretando.

La unidad indica el par de apriete mediante los números "1, 4, 7 ... 22" que aparecen en el dial del embrague, y los puntos. El par de apriete en la posición "1" es el más débil, y el más fuerte es el del número más alto.

(3) Ajuste del par de apriete (Consulte las Figs. 12 y 14)

Gire el dial del embrague y alinee los números "1, 4, 7, ... 22" del dial del embrague, o los puntos, con la marca de triángulo provista en el cuerpo exterior. Ajuste la tapa en la dirección de par débil o fuerte, según el par que necesite.

Tabla 6 Par de apriete

Posición del dial del embrague	Par de apriete
1	Aproximadamente 8.9 pulg.-lbs. (10.2 kg-cm)
4	Aproximadamente 13.3 pulg.-lbs. (15.3 kg-cm)
7	Aproximadamente 17.7 pulg.-lbs. (20.4 kg-cm)
10	Aproximadamente 22.1 pulg.-lbs. (25.5 kg-cm)
13	Aproximadamente 26.6 pulg.-lbs. (30.6 kg-cm)
16	Aproximadamente 31.0 pulg.-lbs. (35.7 kg-cm)
19	Aproximadamente 35.4 pulg.-lbs. (40.8 kg-cm)
22	Aproximadamente 39.8 pulg.-lbs. (45.9 kg-cm)

9. Operación del interruptor

○ Cuando se tira del gatillo del interruptor, la herramienta gira.

Cuando se suelta el gatillo, la herramienta se detiene. Cuando presione el disparado, el freno se aplicará inmediatamente.

○ La velocidad rotacional de la taladradora podrá controlarse variando la presión con la que se tire del interruptor de gatillo. La velocidad será baja cuando se tire ligeramente del gatillo, y aumentará a medida que se tire más de él.

10. Para taladrar ladrillos y metal (DV18DEX)

La fuerza excesiva no aumentará la velocidad de taladrado. No solamente dañará la punta de la broca o reducirá la eficacia de trabajo, sino que también acortará la duración útil de la broca. Utilice el taladro de percusión con una fuerza de presión de 10-20 kg cuando taladre ladrillos.

## ⚠ PRECAUCIÓN

● **El giro del motor podrá trabarse mientras que se usa la unidad como taladro.**

**Tenga cuidado de no bloquear el motor mientras que se está operando el taladro de percusión.**

● **Si se traba el motor, desconectarlo de inmediato. Si el motor se traba por cierto tiempo, puede quemarse tanto él como la batería.**

● **Un apriete excesivo podrá causar la rotura del tornillo.**

11. Cómo seleccionar la velocidad de rotación

## ⚠ PRECAUCIÓN





● **Los ejemplos de selección mostrados en la Tabla 7 deberán considerarse como el estándar general ya que en la actualidad se utilizan diferentes tipos de tornillos de apriete y diferentes materiales a ser apretados todos los cuales, necesitan naturalmente los ajustes apropiados.**

● **Si utiliza el taladro atornillador/taladro de percusión con un tornillo mecánico en "2" (alta velocidad), es posible que el tornillo se dañe o que se afloje la broca debido a que el par de apriete es demasiado fuerte. Emplee el taladro atornillador/taladro de percusión en "1" (baja velocidad) cuando utilice tornillos mecánicos.**

## NOTA

La utilización de la batería en lugares fríos (menos de 0 grados centígrados) puede resultar a veces en la reducción del par de apriete y el rendimiento del trabajo. Sin embargo, éste es un fenómeno temporal y, cuando la batería se caliente, volverá a la normalidad.

Tabla 7

Trabajo		Posición de la cubierta	Selección de la velocidad de rotación (Posición del mando de cambio)	
			"1" (Baja velocidad)	"2" (Alta velocidad)
Apriete de tornillos	Tornillo para metales	1-22	Para tornillos de 1/4 pulg. (6 mm) de diámetro o menos.	Para tornillos de 1/4 pulg. (6 mm) de diámetro o menos
	Tornillo para madera	1- 	Para tornillos de #20 (10 mm) de diámetro nominal o menos.	Para tornillos de #16. (6 mm) de diámetro nominal o menos.
Taladrado	Ladrillos (DV18DEX)		Para diámetro de 1/2 pulg. (13 mm) o menos.	Para diámetro de 13/32 pulg. (10 mm) o menos.
	Madera		Para diámetro de 2 pulg. (52 mm) o menos.	Para diámetro de 1 pulg. (24 mm) o menos.
	Metal		—	Para taladrar con un taladro de trabajos en hierro.

## 12. Indicador de batería restante







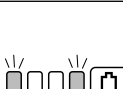
Puede comprobar la capacidad restante de la batería presionando el interruptor del indicador de batería restante para encender la lámpara indicadora. (Fig. 16, Tabla 8)

El indicador se apaga aproximadamente 3 segundos después de pulsar el interruptor del indicador de batería restante.

Se recomienda utilizar el indicador de batería restante como guía dado que hay ligeras diferencias tales como la temperatura ambiente y el estado de la batería.

Asimismo, el indicador de batería restante podría variar de aquellos equipados en la herramienta o en el cargador.

Tabla 8

Estado de la lámpara	Carga de batería restante
	Se enciende; La carga restante de la batería se encuentra por encima del 75%.
	Se enciende; La carga restante de la batería es del 50%–75%.
	Se enciende; La carga restante de la batería es del 25%–50%.
	Se enciende; La carga restante de la batería es menos del 25%.
	Parpadea; La carga restante de la batería está prácticamente agotada. Cargue la batería lo antes posible.
	Parpadea; La salida se suspendió debido a una alta temperatura. Extraiga la batería de la herramienta y deje que se enfríe.
	Parpadea; Salida suspendida debido a un fallo o mal funcionamiento. El problema puede estar relacionado con la batería, contáctese con su distribuidor.

Dado que el indicador de batería restante muestra resultados ligeramente diferentes según la temperatura ambiental y las características de la batería, utilice su lectura como referencia.

Lámpara indicadora de batería restante      Interruptor del indicador de batería restante

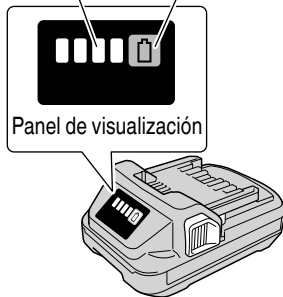


Fig. 16

**NOTA**

Tenga cuidado de no dar sacudidas fuertes al panel de la pantalla o romperlo. Pueden producirse problemas.

**13. Uso de la luz LED**

Cuando se tira del interruptor, la luz LED iluminará automáticamente la parte de la punta de la herramienta. (Fig. 17)

La luz LED se apagará automáticamente 10 segundos después de liberar el interruptor.

La luz LED también funciona como una señal de advertencia que se ilumina durante el uso.

Para obtener más información, consulte "16. Señales de aviso de luz LED".

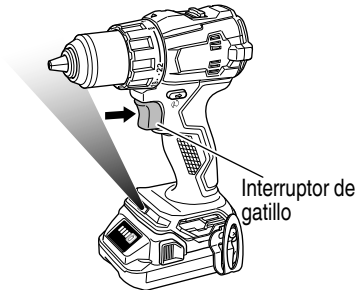


Fig. 17

**⚠ PRECAUCIÓN**

- No exponga los ojos directamente a la luz; evite mirar hacia ella directamente.

Si los ojos están expuestos de manera continua a la luz, pueden resultar lesionados.

- Limpie cualquier resto de polvo o suciedad enganchado al objetivo de la luz LED con un paño suave, procurando no rayar la lente.

Los arañazos en la lente de la luz LED pueden resultar en una reducción de brillo.

**14. Uso del gancho**

El gancho se usa para colgarse la herramienta con alimentación eléctrica del cinturón mientras se trabaja.

**⚠ PRECAUCIÓN**

- Cuando se utiliza el gancho, se debe sujetar la herramienta con firmeza para que no se caiga por accidente.

Al caer, puede provocar un accidente.

- No ajuste ninguna broca en el extremo de la herramienta de alimentación eléctrica si la lleva enganchada del cinturón. Si la herramienta tiene ajustada una broca afilada, por ejemplo una perforadora, y se lleva enganchada al cinturón, puede resultar lesionado.

- Instale el gancho de forma segura. Si no está correctamente colocado, puede provocar lesiones durante su uso.

**(1) Retirada del gancho.**

Extraiga los tornillos que sujetan el gancho con un destornillador Phillips. (Fig. 18)

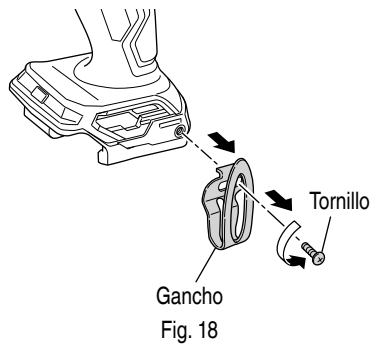


Fig. 18

- (2) Colocación del gancho y ajuste de los tornillos.  
 Instale el gancho en la ranura de la herramienta de alimentación eléctrica de forma segura y apriete los tornillos de manera que el gancho quede firmemente sujeto. (Fig. 19)

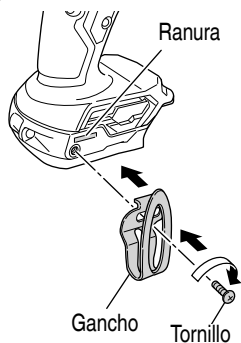


Fig. 19

#### 15. Control de fuerza reactiva

Este producto dispone de un control de fuerza reactiva (RFC) para minimizar el peligro de que el operador se tuerza los brazos cuando la herramienta dé sacudidas repentinamente durante el funcionamiento.

Cuando el control integrado de la herramienta detecta una fuerza reactiva, detiene la potencia del motor antes de que toda la herramienta se sacuda para disminuir la torsión de los brazos del operario.

Cuando se activa esta función, se indicará por el parpadeo de la luz LED (parpadeos de 0.1 segundos/ desactivado 0.1 segundos). (Fig. 20)

(Consulte "16. Señales de aviso de luz LED")

Sin embargo, debido a que la función podría no activarse, dependiendo de las condiciones o situaciones durante el funcionamiento, debe de tener cuidado de evitar cualquier sobrecarga repentina del taladro de la herramienta durante el uso de la herramienta.

- Posibles causas de sobrecarga repentina
  - ① Taladro de la herramienta taladrando material
  - ② Impacto contra clavos, metales u otros objetos duros
  - ③ Tareas que impliquen hacer palanca o cualquier exceso de aplicación de presión, etc.

Asimismo, otras causas incluyen cualquier combinación de las anteriormente mencionadas.

- Cuando el control de fuerza reactiva (RFC) es activado

Cuando se activa el RFC y el motor se detiene, desactive el interruptor de la herramienta y elimine la causa de la sobrecarga antes de continuar con la operación.

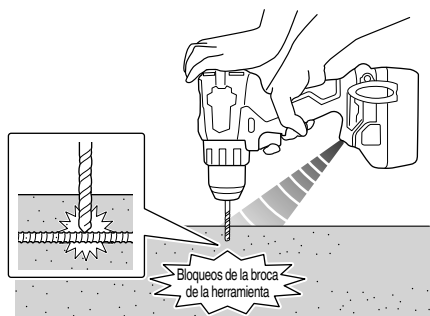


Fig. 20

## 16. Señales de aviso de luz LED

Este producto dispone de funciones que han sido diseñadas para proteger la herramienta así como la batería. Si alguna de las funciones de protección se activa durante el funcionamiento, la luz LED parpadeará así como se describe en la Tabla 9. Cuando se activa cualquiera de las funciones de protección, retire su dedo inmediatamente del interruptor y siga las instrucciones descritas bajo acción correctiva.

Tabla 9

Función de protección	Visualización de luz LED	Acción correctiva
Protección de sobrecarga	Encendido 0.1 segundos/ apagado 0.5 segundos ■ ■ ■ ■ ■ (parpadeo rápido)	Si se opera con el mando de cambio ajustado en "2", ajuste a "1" y continúe con la operación. Elimine la causa de la sobrecarga.
Control de fuerza reactiva	Parpadea durante aproximadamente 3 segundos después de que el interruptor se haya soltado.	Elimine la causa de la sobrecarga. Cuando use la herramienta, sujétela firmemente para asegurarse de que no dé sacudidas.
Protección de temperatura	Encendido 0.5 segundos/ apagado 0.5 segundos ■■■ ■■■ ■■■ (parpadeo lento) Parpadea mientras la protección está activada.	Deje que la herramienta y la batería se enfríen por completo.

**PRECAUCIONES OPERACIONALES**

Reposo de la herramienta después de un funcionamiento prolongado

- (1) La herramienta eléctrica está equipada con un circuito de protección de la temperatura para proteger el motor.

Apretar las tuercas continuamente puede hacer que la temperatura de la unidad aumente, activando el circuito de protección de la temperatura y parando el funcionamiento automáticamente.

Si ocurre esto, deje que la herramienta eléctrica se enfríe antes de volverla a utilizar.

- (2) Tras una tarea de apriete de tornillos de madera, deje la unidad en reposo durante unos 15 minutos al reemplazar la batería. Si reinicia la tarea inmediatamente después de reemplazar la batería, aumentaría la temperatura del motor, del interruptor, etc., con los consiguientes riesgos de quemadura.

# MANTENIMIENTO E INSPECCIÓN

## ⚠️ ADVERTENCIA

**Extraiga la batería antes de realizar cualquier trabajo de inspección o de mantenimiento.**

1. Comprobación de las condiciones de la broca  
Las brocas deberán comprobarse regularmente. Si una broca está desgastada o rota, puede patinar o reducir la eficacia del motor, o hacer que se queme. Reemplace las brocas gastadas por otras nuevas.

## ⚠️ PRECAUCIÓN

**Si utiliza una broca de destornillador con su punta desgastada o rota, puede resultar peligroso, porque patinará. Por lo tanto reemplácela por otra nueva.**

2. Comprobación de los tornillos  
Los tornillos son peligrosos. Inspecciónelos regularmente y cerciórese de que estén bien apretados.

## ⚠️ PRECAUCIÓN

**La utilización de una herramienta eléctrica con tornillos flojos es extremadamente peligrosa.**

3. Comprobación del polvo  
El polvo podrá eliminarse con un paño suave y seco o ligeramente humedecido en agua jabonosa. No utilice lejía, cloro, gasolina, ni diluidor de pintura, porque podrían dañar el plástico.
4. Inspección de los terminales (herramienta y batería)  
Compruebe para asegurarse de que no se han acumulado virutas ni polvo en los terminales. En ocasiones verifique antes, durante y después de la operación.

## ⚠️ PRECAUCIÓN

**Retire las virutas o el polvo que pudiera haberse acumulado en los terminales. De lo contrario puede producirse un fallo en el funcionamiento.**

5. Eliminación de las baterías agotadas

## ⚠️ ADVERTENCIA

**No tire las baterías agotadas. Las baterías pueden explotar si se incineran. El producto que ha adquirido contiene una batería. La batería es reciclable. Cuando se agote su duración útil, de acuerdo con las leyes estatales y locales, puede ser ilegal tirar esta batería a la basura. Solicite a las autoridades locales los detalles sobre las opciones de reciclado o de la forma de deshacerse apropiadamente de la batería.**

6. Almacenamiento

Guarde la herramienta eléctrica y la batería en un lugar en donde la temperatura sea inferior a 104°F (40°C) y lejos del alcance de los niños.

## NOTA

Almacenar baterías de ion-litio

Compruebe que las baterías de ion-litio se han cargado completamente antes de almacenarlas.

Un almacenamiento prolongado de las baterías (3 meses o más) con carga baja podría deteriorar su funcionamiento, reduciendo en gran medida el tiempo de uso de la batería o haciendo que las baterías no puedan mantener una carga.

No obstante, la reducción en gran medida del tiempo de uso de la batería puede recuperarse si se carga y utiliza de dos a cinco veces.

Si el tiempo de uso de la batería es extremadamente corto a pesar de haber cargado y utilizado la batería varias veces, deberá considerarla agotada y comprar una nueva.

7. Mantenimiento y reparación

Todas las herramientas eléctricas de calidad requieren de vez en cuando el servicio de mantenimiento o el reemplazo de piezas debido al desgaste producido durante la utilización normal. Para asegurarse de que solamente se utilicen piezas de reemplazo autorizadas, todos los servicios de mantenimiento y reparación deberán realizarse **SOLAMENTE EN UN CENTRO DE REPARACIONES AUTORIZADO POR metabo HPT.**

## ⚠️ PRECAUCIÓN

**En el manejo y el mantenimiento de las herramientas eléctricas, se deberán observar las normas y reglamentos vigentes en cada país.**

### **Aviso importante sobre las pilas de las herramientas inalámbricas de metabo HPT**

Utilice siempre una de nuestras pilas genuinas. No podemos garantizar la seguridad y el funcionamiento de nuestra herramienta eléctrica inalámbrica cuando se utiliza con pilas diferentes a las indicadas por nosotros o cuando la pila se desmonta y modifica (como cuando se desmontan y sustituyen celdas u otras piezas internas).

## ACCESORIOS

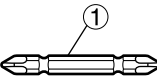

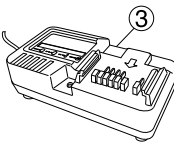
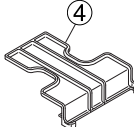
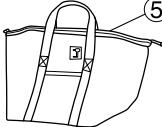

### ⚠ ADVERTENCIA

UTILICE únicamente repuestos y accesorios autorizados por metabo HPT. No utilice nunca repuestos o accesorios no previstos para usar con esta herramienta. Si tiene dudas en cuanto a la seguridad de usar determinado repuesto o accesorio junto con su herramienta, póngase en contacto con metabo HPT. La utilización de otros accesorios puede resultar peligrosa y causar lesiones o daños mecánicos.

### NOTA

Las especificaciones están sujetas a cambio sin ninguna obligación por parte de metabo HPT.

### ACCESORIOS ESTÁNDAR

<p>DS18DEX DV18DEX (2BGS)</p>	<div style="display: flex; justify-content: space-around; align-items: center;">    </div> <div style="display: flex; justify-content: space-around; align-items: center; margin-top: 20px;">    </div> <div style="margin-top: 20px;"> <p>① Broca de punta Phillips (Núm. 2 x 65L) (Nº de código 983006) ..... 1</p> <p>② Batería (BSL1820M) ..... 1</p> <p>③ Cargador de baterías (UC18YKSL) ..... 1</p> <p>④ Taps de batería (Nº de código 329897) ..... 1</p> <p>⑤ Bolsa (Nº de código 375801M) ..... 1</p> <p>⑥ Conjunto del gancho (Nº de código 379397) ..... 1</p> </div>
---------------------------------------	---

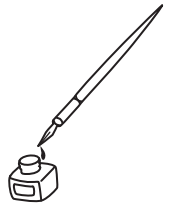
### ACCESORIOS OPCIONALES.....de venta por separado

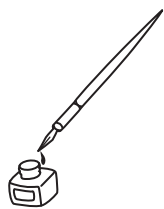
Batería (BSL1820M)

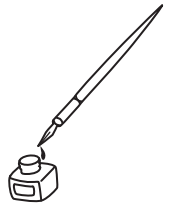
### NOTA

Las especificaciones están sujetas a cambio sin ninguna obligación por parte de metabo HPT.









## WARNING:

Some dust created by power sanding, sawing, grinding, drilling, and other construction activities contains chemicals known to the State of California to cause cancer, birth defects or other reproductive harm. Some examples of these chemicals are:

- Lead from lead-based paints,
- Crystalline silica from bricks and cement and other masonry products, and
- Arsenic and chromium from chemically-treated lumber.

Your risk from these exposures varies, depending on how often you do this type of work. To reduce your exposure to these chemicals: work in a well ventilated area, and work with approved safety equipment, such as those dust masks that are specially designed to filter out microscopic particles.

## AVERTISSEMENT:

La poussière résultant d'un ponçage, d'un sciage, d'un meulage, d'un perçage ou de toute autre activité de construction renferme des produits chimiques qui sont connus par l'Etat de Californie pour causer des cancers, des défauts de naissance et autres anomalies de reproduction. Nous énumérons ci-dessus certains de ces produits chimiques:

- Plomb des peintres à base de plomb,
- Silice cristalline des briques et du ciment et autres matériaux de maçonnerie, et
- Arsenic et chrome du bois d'oeuvre traité chimiquement.

Le risque d'exposition à ces substances varie en fonction de la fréquence d'exécution de ce genre de travail. Pour réduire l'exposition à ces produits chimiques, travailler dans un lieu bien ventilé, et porter un équipement de protection agréé, par exemple un masque anti-poussière spécialement conçu pour filter les particules microscopiques.

## ADVERTENCIA:

Algunos polvos creados por el lijado mecánico, el aserrado, el esmerilado, el taladrado y otras actividades de construcción contienen sustancias químicas conocidas por le Estado de California como agentes cancerígenos, defectos congénitos y otros daños reproductores. Algunos ejemplos de estas sustancias químicas son:

- El plomo de las pinturas a base de plomo,
- El sílice cristalino de los ladrillos y cemento y otros productos de mampostería, y
- El arsénico y el cromo de la madera tratada químicamente.

El riesgo resultante de la exposición varía según la frecuencia con que se realiza este tipo de trabajo. Para reducir la exposición a esta sustancias químicas: trabaje en un lugar bien ventilado y realice el trabajo utilizando el equipamiento apropiado, tal como las máscaras para el polvo especialmente diseñados para eliminar las partículas minúsculas.



Please contact Koki Holdings America Ltd. at 1-800-59-TOOLS (toll free), or metabo HPT AUTHORIZED POWER TOOL SERVICE CENTER regarding COLLECTION.

Pour le RAMASSAGE, contacter Koki Holdings America Ltd. au 1-800-59-TOOLS (appel gratuit), ou UN SERVICE APRÈS-VENTE D'OUTILS ÉLECTRIQUE AGRÉÉ PAR metabo HPT.

Con respecto a la RECOLECCIÓN de baterías, póngase en contacto con Koki Holdings America Ltd. número 1-800-59-TOOLS (llamada gratis), o con metabo HPT AUTHORIZED POWER TOOL SERVICE CENTER.

Issued by

# Koki Holdings Co., Ltd.

Shinagawa Intercity Tower A, 15-1, Konan 2-chome,  
Minato-ku, Tokyo 108-6020, Japan

Distributed by

# Koki Holdings America Ltd.

1111 Broadway Ave,  
Braselton, Georgia, 30517

# Koki Holdings America Ltd. Canadian Branch

3405 American Drive, Units 9-10,  
Mississauga, ON, L4V 1T6