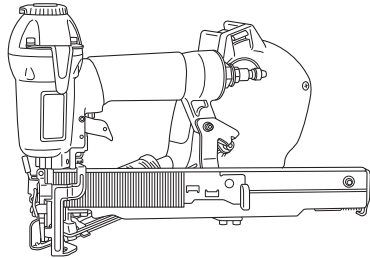


Instruction and safety manual Manuel d'instructions et de sécurité Instrucciones y manual de seguridad

Model
Modèle
Modelo

N 3808AP

Cap Stapler
Agrafeuse à capuchons
Grapadora de tapas



⚠ DANGER

Improper use of this Stapler can result in death or serious injury!
This Manual contains important information about product safety.
Read and understand this Manual before operating the Stapler.
Keep this Manual available for others before they use the Stapler.
Never allow anyone who has not reviewed this manual to use the tool.
This manual should be stored in safe place.

⚠ DANGER

Une utilisation incorrecte et sans respecter la sécurité de cette agrafeuse risque d'entraîner la mort ou des blessures graves !
Ce manuel renferme des instructions importantes sur la sécurité de l'outil.
Lire et bien assimiler ce manuel avant d'utiliser l'agrafeuse.
Conserver ce manuel à l'intention des autres utilisateurs de la agrafeuse.
Cet outil ne doit jamais être utilisé par une personne n'ayant pas pris connaissance du manuel.
Ce mode d'emploi doit être conservé dans un endroit sûr.

⚠ PELIGRO

¡La utilización inadecuada e insegura de esta grapadora puede resultar en lesiones serias o en la muerte!
Este manual contiene información importante sobre la seguridad del producto.
Lea y entienda este manual antes de utilizar la grapadora.
Guarde este manual a mano para que puedan consultarlo otras personas antes de utilizar la grapadora.
La herramienta no deberá utilizarse sin haber leído previamente este manual.
Este manual debe ser guardado en un lugar seguro.

CONTENTS

English	Page		Page
IMPORTANT SAFETY INFORMATION	3	WORKING ENVIRONMENT	12
DEFINITIONS OF SIGNAL WORDS	3	AIR SUPPLY	12
EXPLANATION OF THE STAPLING ACTION OF THE metabo HPT STAPLER	3	LUBRICATION	13
SAFETY		COLD WEATHER CARE	13
IMPORTANT SAFETY INSTRUCTIONS - FOR USING STAPLERS	4	TESTING THE STAPLER	13
RESPONSIBILITIES OF EMPLOYER, TOOL OWNER AND TOOL OPERATOR	8	ADJUSTING AIR PRESSURE	15
OPERATION		LOADING STAPLES	15
NAME OF PARTS	9	LOADING CAPS	16
SPECIFICATIONS	10	REMOVING CAPS	17
STAPLE AND CAP SELECTION	11	STAPLER OPERATION	17
ACCESSORIES	11	METHODS OF OPERATION	18
STANDARD ACCESSORIES	11	ADJUSTING THE STAPLING DEPTH	20
OPTIONAL ACCESSORIES	11	CHANGING THE EXHAUST DIRECTION	21
APPLICATIONS	12	HOOK	21
BEFORE OPERATION	12	MAINTENANCE	
		MAINTENANCE AND INSPECTION	22
		SERVICE AND REPAIRS	23
		PARTS LIST	76

TABLE DES MATIÈRES

Français	Page		Page
INFORMATION IMPORTANTE DE SÉCURITÉ	25	ENVIRONNEMENT DE TRAVAIL	35
DÉFINITION DES MOTS DE SIGNALISATION	25	ALIMENTATION D'AIR	35
EXPLICATION DE L'ACTION D'AGRAFAGE DE L'AGRAFEUSE metabo HPT	25	GRAISSAGE	36
SÉCURITÉ		ENTRETIEN PAR TEMPS FROID	36
CONSIGNES DE SÉCURITÉ IMPORTANTES POUR L'UTILISATION DE L'AGRAFEUSE	26	ESSAI DE L'AGRAFEUSE	36
RESPONSABILITÉS DE L'EMPLOYEUR, DU PROPRIÉTAIRE DE L'OUTIL ET DE L'OPÉRATEUR DE L'OUTIL	31	RÉGLAGE DE LA PRESSION D'AIR	38
UTILISATION		CHARGEMENT DES AGRAFES	38
NOM DES PIÈCES	32	CHARGEMENT DES CAPUCHONS	39
SPECIFICATIONS	33	RETRAIT DES CAPUCHONS	40
SELECTION DES AGRAFES ET DES CAPUCHONS	34	UTILISATION DE L'AGRAFEUSE	41
ACCESSOIRES	34	MÉTHODES D'UTILISATION	42
ACCESSOIRES STANDARDS	34	RÉGLAGE DE LA PROFONDEUR D'AGRAFAGE	44
ACCESSOIRES EN OPTION	34	CHANGEMENT DU SENS D'ÉCHAPPEMENT	45
APPLICATIONS	35	CROCHET	45
AVANT L'UTILISATION	35	ENTRETIEN	
		ENTRETIEN ET INSPECTION	46
		ENTRETIEN ET RÉPARATIONS	47
		LISTE DES PIÈCES	76

ÍNDICE

Español	Página		Página
INFORMACIÓN DE SEGURIDAD		ENTORNO DE TRABAJO	60
IMPORTANTE	50	SUMINISTRO DE AIRE	60
DEFINICIÓN DE LAS PALABRAS CLAVE	50	LUBRICACIÓN	61
EXPLICACIÓN LA ACCIÓN DE GRAPADO DE LA GRAPADORA metabo HPT	50	CUIDADOS PARA CLIMAS FRÍOS	61
SEGURIDAD		PRUEBA DE LA GRAPADORA	61
INSTRUCCIONES IMPORTANTES DE SEGURIDAD PARA LA UTILIZACIÓN DE LA GRAPADORA	51	AJUSTE DE LA PRESIÓN DE AIRE	63
RESPONSABILIDADES DEL EMPLEADOR, EL PROPIETARIO DE LA HERRAMIENTA Y EL OPERADOR DE LA HERRAMIENTA	56	CARGA DE GRAPAS	63
OPERACIÓN		CARGA DE TAPAS	64
NOMENCLATURA	57	EXTRACCIÓN DE TAPAS	65
ESPECIFICACIONES	58	OPERACIÓN DE LA GRAPADORA	66
SELECCIÓN DE GRAPAS Y TAPAS	59	MÉTODOS DE OPERACIÓN	67
ACCESORIOS	59	AJUSTE DE LA PROFUNDIDAD DE GRAPADO	69
ACCESORIOS ESTÁNDAR	59	CAMBIO DEL SENTIDO DEL AIRE DE ESCAPE	70
ACCESORIOS OPCIONALES	59	GANCHO	70
APLICACIONES	60	MANTENIMIENTO	
ANTES DE LA OPERACIÓN	60	MANTENIMIENTO E INSPECCIÓN	71
		SERVICIO Y REPARACIONES	72
		LISTA DE PIEZAS	76

IMPORTANT SAFETY INFORMATION



Read and understand tool labels and all of the operating instructions, safety precautions and warnings in this manual before operating or maintaining this Stapler.
Failure to follow warnings could result in DEATH or SERIOUS INJURY.

Most accidents that result from the operation and maintenance of Staplers are caused by the failure to observe basic safety rules or precautions. An accident can often be avoided by recognizing a potentially hazardous situation before it occurs, and by observing appropriate safety procedures.

Basic safety precautions are outlined in the "SAFETY" section of this Manual and in the sections which contain the operation and maintenance instructions.

Hazards that must be avoided to prevent bodily injury or machine damage are identified by DANGERS and WARNINGS on the Stapler and in this Manual.

NEVER use this Stapler for applications other than those specified in this Manual.

DEFINITIONS OF SIGNAL WORDS

DANGER indicates an imminently hazardous situation which, if not avoided, will result in death or serious injury.

WARNING indicates a potentially hazardous situation which, if not avoided, could result in death or serious injury.

CAUTION indicates a potentially hazardous situation which, if not avoided, may result in minor or moderate injury, or may cause machine damage.

NOTE emphasizes essential information.

EXPLANATION OF THE STAPLING ACTION OF THE metabo HPT STAPLER

- SINGLE SEQUENTIAL ACTUATION MECHANISM:
First, press the push lever against the workpiece; next, pull the trigger to drive the fastener.
After stapling once, stapling will not be possible again until the Trigger is released and pressed again.
- CONTACT ACTUATION MECHANISM:
First, press the push lever against the workpiece; next, pull the trigger to drive the fastener.
First, pull the trigger; next, press the push lever against the workpiece to drive the fastener.
If the Trigger is held back, a fastener will be driven each time the Push Lever is pressed against the workpiece.

SAFETY

IMPORTANT SAFETY INSTRUCTIONS-FOR USING STAPLERS

INSTRUCTIONS PERTAINING TO A RISK OF FIRE, ELECTRIC SHOCK, OR INJURY TO PERSONS

- **General**

To reduce the risks of electric shock, fire, and injury to persons, **READ ALL THE INSTRUCTIONS BEFORE USING THE TOOL.**

⚠ DANGER

1. OPERATORS AND OTHERS IN WORK AREA MUST WEAR EYE PROTECTION (SAFETY GLASSES WITH SIDE SHIELDS).



When operating the Stapler, always wear safety glasses with side shields, and make sure others in work area wear safety glasses, too.

Safety glasses must conform to the requirements of American National Standards Institute, ANSI Z87.1 and provide protection against flying particles both from the front and side.

Ordinary eyeglasses do not provide adequate protection.

The employer must enforce the use of safety glasses by the Stapler operator and others in work area.

2. NEVER USE REACTIVE GASES OR OTHER BOTTLED GASES. EXPLOSION MAY OCCUR.



Never use reactive gases such as oxygen, combustible gases or any other bottled gases as a power source for the Stapler.

Use of the above gases is dangerous, as the Stapler will explode.

Use only clean, dry, regulated compressed air.

⚠ WARNING

3. NEVER POINT TOOL AT YOURSELF OR OTHERS IN WORK AREA.



Always assume that the Stapler contains fasteners.

Never point the Stapler toward yourself or others, whether it contains fasteners or not.

If fasteners are mistakenly driven, it can lead to severe injuries.

Never engage in horseplay with the Stapler.

Respect the Stapler as a working implement.

4. DO NOT PLACE FINGER ON TRIGGER AND KEEP FINGERS AWAY FROM TRIGGER WHEN NOT DRIVING FASTENERS TO AVOID ACCIDENTAL DISCHARGE.

Never carry the Stapler with finger on Trigger since you could drive a fastener unintentionally and injure yourself or someone else.

Always carry the Stapler by the handle only.

5. KNOW AND UNDERSTAND WHAT TRIGGER SYSTEM YOU ARE USING.

Read and understand section titled "METHODS OF OPERATION." (pages 18–20)

6. DO NOT MAKE CONTACT WITH SAFETY TIP (PUSH LEVER) WHEN NOT DRIVING FASTENERS.

SAFETY — Continued

WARNING

When using tools, basic precautions should always be followed, including the following:

1. Work area

- (1) **Keep the work area clean and well lighted.**

Cluttered benches and dark areas increase the risks of electric shock, fire, and injury to persons.

- (2) **Do not operate the Stapler in explosive atmospheres, such as in the presence of flammable liquids, gases, or combustible dust.**

The Stapler is able to create sparks resulting in the ignition of the dust or fumes.

- (3) **Keep bystanders, children, and visitors away while operating the Stapler.** Distractions are able to result in the loss of control of the Stapler.

2. Personal safety


- (1) **Stay alert. Focus on your work and use common sense when working with the Stapler. Do not use the Stapler while tired, after having consumed drugs or alcohol, or while under the influence of medication.**

A moment of inattention while operating the Stapler increases the risk of injury to persons.

- (2) **Dress properly. Do not wear loose clothing or jewelry. Contain long hair. Keep hair, clothing, and gloves away from moving parts.**

Loose clothes, jewelry, or long hair increases the risk of injury to persons as a result of being caught in moving parts.

- (3) **Avoid unintentional starting. Be sure the switch is off before connecting to the air supply.** Do not carry the Stapler with your finger on the switch or connect the Stapler to the air supply with the switch on.

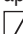
- (4)  **WARNING** – Disconnect the Stapler from the air source before making adjustments, doing Stapler maintenance, clearing jams, touching the Push Lever, affixing the hook, when not in use, leaving work area, leaving the Stapler outside of the operator's supervision or control, loading, or unloading the Stapler, handing it to another person, elevating, lowering or otherwise moving the Stapler to a new location. Never attempt to clear a jam or repair the Stapler unless you have disconnected air hose from the Stapler and

removed all remaining fasteners and caps from the Stapler. The Stapler should never be left unattended since people who are not familiar with the Stapler might handle it and injure themselves.

Such precautionary measures reduce the risk of injury to persons.

- (5) **Do not overreach. Keep proper footing and balance at all times.** Proper footing and balance enables better control of the Stapler in unexpected situations.


- (6) **Use safety equipment.** A dust mask, non-skid safety shoes and a hard hat must be used for the applicable conditions.

- (7)  **WARNING** – Risk of hearing loss. Wear hearing protection. Hearing protection shall have a Noise Reduction Rating (NRR) determined in accordance with US Environmental Protection Agency rules that is appropriate for noise exposure.

- (8) **Always wear head protection. Always wear head protection to protect your head from flying objects.**

Head protection shall conform to ANSI Z89.1, "American National Standard for Industrial Head Protection."

- (9) **Do not attach the hose or Stapler to your body.** Attach the hose to the structure to reduce the risk of loss of balance if the hose shifts.

- (10)  **WARNING** – Drive Staples into proper work surface only. Do not drive staple into other staples. This is able to cause the fastener to be deflected and hit someone, or cause the Stapler to react and result in a risk of injury to persons.

3. Stapler use and care

- (1) **Use clamps or another practical way to secure and support the workpiece to a stable platform.**

Holding the work by hand or against the body is unstable and is able to lead to loss of control.

- (2) **Do not force the Stapler.** Use the correct Stapler for the application. The correct Stapler will do the job better and safer at the rate for which the Stapler is designed.

SAFETY — Continued

⚠ WARNING

- (3) **Do not use the Stapler if the switch does not turn the Stapler on or off.** Any Stapler that cannot be controlled with the switch is dangerous and must be repaired.

Never use Stapler which is defective or operating abnormally. If the Stapler appears to be operating unusually, making strange noises, or otherwise appears defective, stop using it immediately and arrange for repairs by a metabo HPT authorized service center.

- (4) **Disconnect the Stapler from the air source before making any adjustments, changing accessories, or storing the Stapler.** Such preventive safety measures reduce the risk of starting the Stapler unintentionally.
- (5) **Store the Stapler when it is idle out of reach of children and other untrained persons.** A Stapler is dangerous in the hands of untrained users.
- (6) **Maintain the Stapler with care.** Keep the Stapler Clean and lubricated for better and safer performance.
- (7) **Check for misalignment or binding of moving parts, breakage of parts, and any other condition that may affect the Stapler's operation.**
If damaged, have the Stapler serviced before using. Because of high air pressure in the Stapler, cracks in the surface are dangerous. To avoid this, do not drop the Stapler or strike the Stapler against hard surfaces; and do not scratch or engrave signs on the Stapler. Many accidents are caused by poorly maintained Staplers. There is a risk of bursting if the Stapler is damaged.
- (8) **Do not use the Stapler that is not in proper working order. Tags and physical segregation shall be used for control.**
- (9) **Use only accessories that are identified by metabo HPT for the specific Stapler.** Use of an accessory not intended for use with the specific Staplers, increases the risk of injury to persons.
- (10) **Use only those fasteners listed in the Accessories section of this manual.** Fasteners not identified for use with this Stapler by metabo HPT are able to result in a risk of injury to persons or Stapler damage when used in this Stapler.

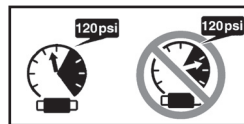
4. Service

- (1) **Tool service must be performed only by qualified repair personnel.**
- (2) **When servicing a Stapler, use only identical replacement parts. Use only authorized parts.**
- (3) **Use only the lubricants supplied with the Stapler or specified by metabo HPT.**

5. Air source

- (1) **Never connect to an air source that is capable of exceeding 200 psi (13.7 bar 14 kg/cm²) if a regulator fails.**

Over pressurizing the Stapler is able to result in bursting, abnormal operation, breakage of the Stapler or serious injury to persons.



DO NOT EXCEED 120 psi (8.3 bar 8.5 kg/cm²).

Use only clean, dry, regulated compressed air at the rated pressure or within the rated pressure range as marked on the Stapler.

Always verify prior to using the Stapler that the air source has been adjusted to the rated air pressure or within the rated air-pressure range.

- (2) **Never use reactive gases such as oxygen, carbon dioxide, combustible gases or any bottled gas as an air source for the Stapler.** Such gases are capable of explosion and serious injury to persons.
- #### 6. Others
- (1) **Before starting work, check the stapling operation switching device.**
This metabo HPT stapler includes a stapling operation switching device. Before starting work, check the setting of the operation switching device. If the switching device is not set properly, the Stapler will not operate correctly.
 - (2) **Always select the switching device that is appropriate to the application and the training of the operator.**

SAFETY — Continued

⚠ WARNING

- (3) **Be careful of double fire and being hit by the Stapler due to spring back (“recoil”).** After driving a staple, the Stapler may recoil causing it to move away from the work surface.
To reduce risk of injury always manage recoil by:
- 1) always maintaining control of the Stapler.
 - 2) allowing recoil to move the Stapler away from work surface.
 - 3) not resisting recoil such that the Stapler will be forced back into the work surface. In “CONTACT ACTUATION MECHANISM”, if push lever is allowed to re-contact work surface before the trigger is released, an unintended discharge of a staple will occur. In order to avoid this undesirable double fire,
 - Intermittent operation (Trigger fire)
 - ① Set the switching device to SINGLE SEQUENTIAL ACTUATION MECHANISM.
 - ② Pull the trigger rapidly and firmly.
 - Continuous operation (Push lever fire)
 - ① Set the switching device to CONTACT ACTUATION MECHANISM.
 - ② Do not press the Stapler against the workpiece with excessive force.
 - ③ Separate the Stapler from the workpiece as it recoils after stapling
 - 4) keeping face and body parts away from the Stapler.
- (4) **Never Use NON relieving coupler on Stapler.** If a non relieving coupler is used on the Stapler, the Stapler can remain charged with air after disconnecting and thus will be able to drive a fastener even after disconnecting. The Stapler and air hose must have a hose coupling such that all pressure is removed from the Stapler when the coupling joint is disconnected.
- (5) **Check Push Lever before use.** Make sure the Push Lever operates properly, and is not inoperable, disconnected, or altered. (The Push Lever may be called “Safety.”) Never use the Stapler unless the Push Lever is operating properly, otherwise the Stapler could drive a fastener unexpectedly. Do not tamper with or remove the Push Lever, or otherwise cause the Push Lever to become inoperable.
- (6) **Keep all screws and covers tightly in place.** Keep all screws and covers tightly mounted. Check their condition periodically. Never use the Stapler if parts are missing or damaged.
- (7) **Do not load fasteners with Trigger or Push Lever depressed.** When loading fasteners into the Stapler or when connecting the air hose,
- 1) do not depress the Trigger;
 - 2) do not depress the Push Lever; and
 - 3) keep the Stapler pointed downward.
- (8) **Keep hands and body away from firing head during use.** Never place your hands or feet closer than 8 inches (200 mm) from the firing head. A serious injury can result if the fasteners are deflected by the workpiece, or are driven away from the point of entry.
- (9) **When working close to an edge of a workpiece or at steep angles, or driving fasteners into thin workpiece use care to minimize chipping, splitting or splintering, or free flight, ricochet or piercing of fasteners, which may cause injury.**
- (10) **Never drive fasteners from both sides of a wall at the same time.** The fasteners can be driven into and through the wall and hit a person on the opposite side.
- (11) **Use extra caution when driving the Stapler into existing walls or other blind areas to prevent contact with hidden objects or persons on other side (eg., wires, pipes).**
- (12) **Check for live wires.** Avoid the risk of severe electrical shock by checking for live electrical wires that may be hidden by walls, floors or ceilings. Turn off the breaker switch to ensure there are no live wires.
- (13) **Do not lift, pull or lower the Stapler by the hose.**
- (14) **Do not disconnect air hose from Stapler with finger on Trigger.** The Stapler can fire when reconnected to An air supply.
- (15) **Handle Stapler correctly.** Operate the Stapler according to this Manual. Never allow the Stapler to be operated by children, individuals unfamiliar with its operation or unauthorized personnel.
- (16) **Never use Stapler for applications other than those specified in this manual.**

SAFETY — Continued

⚠ WARNING

- (17) **Never modify or alter a Stapler.** Doing so may cause it to malfunction and personal injuries may result.
- (18) **When switching between SINGLE SEQUENTIAL and CONTACT, disconnect the air hose and remove all staples.**
- (19) **When the hook is attached, operate only with SINGLE SEQUENTIAL ACTUATION MECHANISM and not with CONTACT ACTUATION MECHANISM.**
- (20) **Disconnect the air hose when affixing the hook.**
- (21) **Do not affix the hook on high or unstable locations. Also, do not affix it to the body, clothing, belt or other personal items.**

RESPONSIBILITIES OF EMPLOYER, TOOL OWNER AND TOOL OPERATOR

1. Ensure that this MANUAL is available to operators and personnel performing maintenance.
2. Select an appropriate switching device considering the applications for which the Stapler is used.
3. Train the operator in the safe use of the Stapler as described in this MANUAL.
4. Ensure that only persons who have read and understand this MANUAL operate the Stapler.
5. Ensure that Staplers are used only when operators and others in work area are wearing EYE PROTECTION, and other appropriate personal protective equipment such as HEAD, HEARING, FOOT PROTECTION.
6. Enforce the use of EYE PROTECTION by operators and others in work area.
7. Ensure that Staplers are kept in safe working order as described in this MANUAL.
8. Maintain Staplers properly.
9. Ensure that only qualified personnel shall repair Staplers.
10. Ensure that Staplers that require repair are removed from service and that tags and physical segregation are used as a means of control.

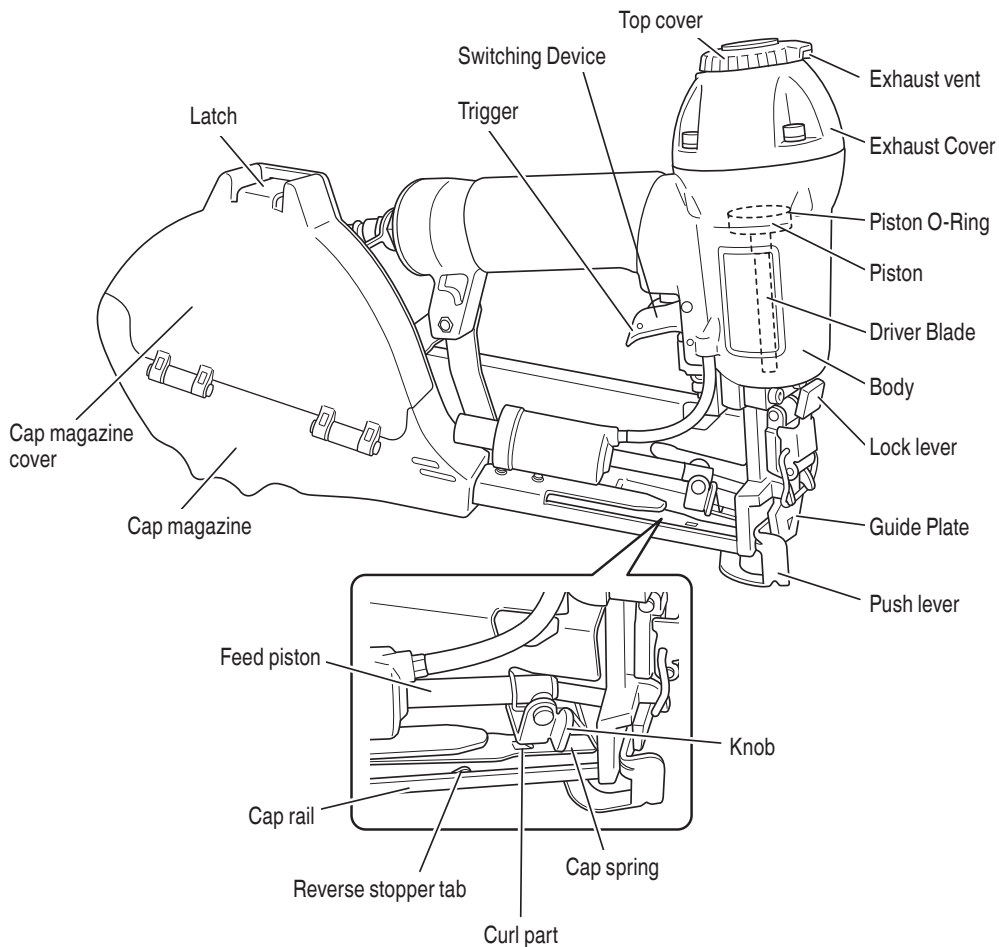
**SAVE THIS MANUAL AND
KEEP IT AVAILABLE FOR OTHERS!**

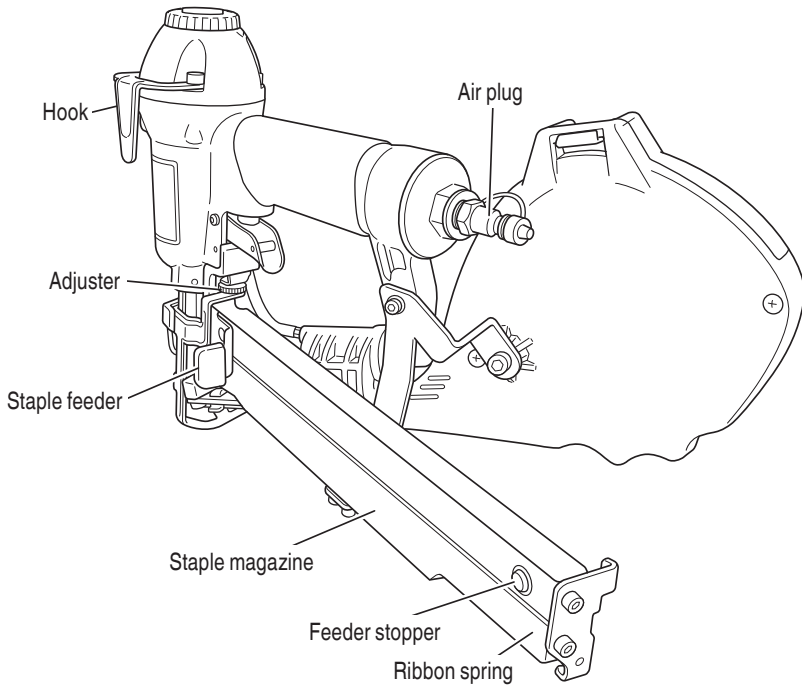
OPERATION

NOTE: The information contained in this Manual is designed to assist you in the safe operation of the Stapler.

Some illustrations in this Manual may show details or attachments that differ from those on your own Stapler.

NAME OF PARTS





SPECIFICATIONS

Operating pressure	70–120 psi (4.9–8.3 bar 5–8.5 kgf/cm ²)
Dimensions Length x Height x Width	14-3/32" x 8-29/32" x 7-13/16" (358 mm x 226 mm x 198 mm)
Weight	4.9 lbs. (2.2 kg)
Staple capacity	200 Staples (2 strips)
Cap capacity	200 Caps (1 reel)
Air consumption	.030 ft ³ /cycle at 100 psi (.85 ltr/cycle at 6.9 bar) (.85 ltr/cycle at 7 kgf/cm ²)
Air inlet	1/4" NPT Thread

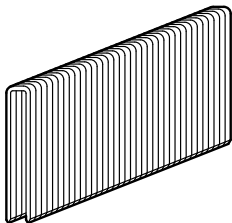


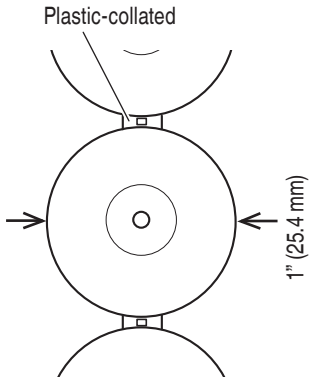
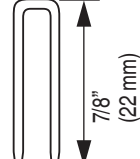
STAPLE AND CAP SELECTION

⚠ WARNING

- Be sure to use only the genuine metabo HPT staples and cap for the N3808AP. The use of any other staples and cap can result in tool malfunction and/or staple breakdown, leading to serious injuries.

Only staples and cap shown in the Table below can be driven with this Stapler.

Dimensions of staples

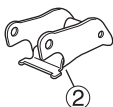
Staples			Cap
18 Gauge 7/16" Crown			Plastic cap
	Min.	Max.	Plastic-collated
	 <p>.049" (1.25 mm)</p>	 <p>1-1/2" (38 mm)</p>	 <p>1" (25.4 mm)</p>
	 <p>7/8" (22 mm)</p>		

ACCESSORIES

⚠ WARNING

- Accessories other than those shown below can lead to malfunction and resulting injuries.

STANDARD ACCESSORIES



- ① Eye protection 1
- ② Contact actuation trigger kit 1

OPTIONAL ACCESSORIES ... sold separately

- Pneumatic Tool Lubricant
 - .8 oz. (25 cc) oil feeder (Code No.877153)
 - 4 oz. (120 cc) oil feeder (Code No.874042)
 - 1 quart (1 ltr) can (Code No.876212)

NOTE: Accessories are subject to change without any obligation on the part of metabo HPT.

APPLICATIONS

- Foam board
- Moisture barrier / house wrap

BEFORE OPERATION

Read section titled “SAFETY” (pages 4–8).

Make sure of the following before operation.

WORKING ENVIRONMENT

⚠ WARNING

- No flammable gas, liquid or other flammable objects at worksite.
- Clear the area of children or unauthorized personnel.

AIR SUPPLY

⚠ DANGER



- NEVER use reactive gases or other bottled gases. Explosion may occur.

⚠ WARNING

- Never connect Stapler to pressure which potentially exceeds 200 psi (13.7 bar 14 kgf/cm²) if a regulator fails.
- Never use non relieving coupler on Stapler.

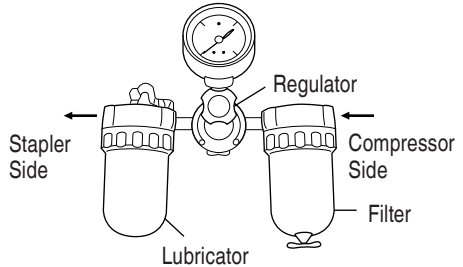
1. Power source
 - Use only clean, dry, regulated compressed air as a power source for this Stapler.
 - Air compressors used to supply compressed air to this Stapler must comply with the requirements of the latest version of ANSI Standard B 19.3 “Safety Standard For Compressors For Process Industries.”
 - Moisture or oil in the air compressor may accelerate wear and corrosion in the Stapler. Drain daily.

2. Filter-Regulator-Lubricator
 - Use a regulator with a pressure range of 0–120 psi (0–8.3 bar 0–8.5 kgf/cm²).
 - Filter-regulator-lubricator units supply an optimum condition for the Stapler and extend the Stapler life. These units should always be used.

FilterThe filter removes moisture and dirt mixed in compressed air.
 Drain daily unless fitted with an automatic drain.
 Keep the filter clean by regular maintenance.

Regulator.....The regulator controls the operating pressure for safe operation of the Stapler. Inspect the regulator before operation to be sure it operates properly.

LubricatorThe lubricator supplies an oil mist to the Stapler. Inspect the lubricator before operation to be sure the supply of lubricant is adequate. Use metabo HPT pneumatic tool lubricant.



3. Air hose

Compressed air supply hoses shall have a minimum working pressure rating equal to or greater than the pressure from the power source if a regulator fails, or 150 psi (10.4 bar 10.6 kgf/cm²), whichever is greater.
4. Air consumption

Using the Air consumption table and the Air compressor size formula, find a correct compressor size.

Air consumption table

	psi	80	90	100
Operating pressure	(bar)	(5.5)	(6.2)	(6.9)
	(kgf/cm ²)	(5.6)	(6.3)	(7)
Air consumption	ft ³ /cycle	.024	.027	.030
	(ltr/cycle)	(.69)	(.76)	(.85)

Air compressor size formula

Amount of air required

=number of Staplers

× average staples driven each minute per Stapler

× air consumption at given air pressure

× safety factor (always 1.2)

Example: 3 Staplers (N3808AP) operating at 100 psi driving 30 staples per minute

Amount of air required

= $3 \times 30 \times .030 \times 1.2$

=3.3 CFM (ft³/min) (93.5 ltr/min)

After making the calculations as shown above, you should find a compressor providing 3.3 CFM of air that is required.

LUBRICATION

It is important that the Stapler be properly lubricated.

Without proper lubrication, the Stapler will not work properly and parts will wear prematurely.

- Use metabo HPT pneumatic tool lubricant.

Do not use detergent oil or additives. These lubricants will harm the O-rings and other rubber parts. This will cause the Stapler to malfunction.

- Filter-regulator-lubricator units should always be used.

Keep the lubricator filled with metabo HPT pneumatic tool lubricant.

- If a lubricator is not available, supply 5–10 drops of metabo HPT pneumatic tool lubricant into the air plug on the Stapler twice a day.

COLD WEATHER CARE

- Do not store the Stapler in a cold weather environment.

Keep the Stapler in a warm area until beginning the work.

- If the Stapler is already cold, bring it in a warm area and allow the Stapler to warm up before use.

① Reduce the air pressure to 64 psi (4.4 bar 4.4 kgf/cm²).

② Remove all staples and caps from the Stapler.

③ Connect the air hose and free-fire (blank-fire) the Stapler.

The lowered air pressure will be enough to free-fire the Stapler.

Slow speed operation tends to warm up the moving part.

⚠ CAUTION

- Do not free-fire the Stapler at high pressure.

TESTING THE STAPLER

⚠ DANGER



- Operators and others in work area **MUST** wear safety glasses with side shields which conforms to ANSI Z87.1 specifications.

Ordinary eyeglasses do not provide adequate protection.

⚠ WARNING

- Never use Stapler unless push lever is operating properly.

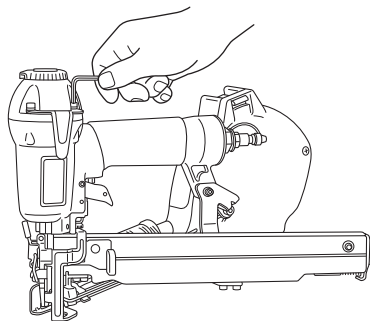
Before actually beginning the stapling work, test the Stapler by using the checklist below. Conduct the tests in the following order.

If abnormal operation occurs, stop using the Stapler and contact a metabo HPT authorized service center immediately.

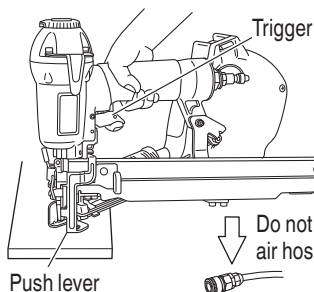
- (1) DISCONNECT AIR HOSE FROM STAPLER. REMOVE ALL STAPLES AND CAPS FROM STAPLER.

- ALL SCREWS MUST BE TIGHTENED.

If any screws are loose, tighten them.



- THE PUSH LEVER AND TRIGGER MUST MOVE SMOOTHLY.



- (2) REMOVE ALL STAPLES AND CAPS FROM STAPLER

Remove the hook if it is attached.

→ When the hook is attached, do not operate with CONTACT ACTUATION MECHANISM.

DO NOT push or rest Push Lever against any surface. DO NOT FORCE OR USE ANY TOOLS TO OPERATE SWITCH.

- (3) Adjust the air pressure to 70 psi (4.9 bar 5 kgf/cm²). Connect the air hose. Do not load any staples or caps in the Stapler.

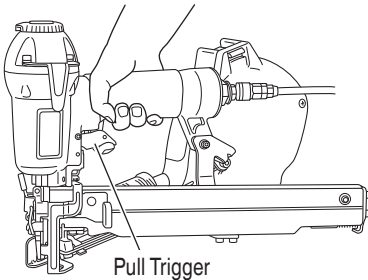
THE NAILER MUST NOT LEAK AIR.

- (4) Remove the finger from the trigger and press the push lever against the workpiece.

THE NAILER MUST NOT OPERATE.

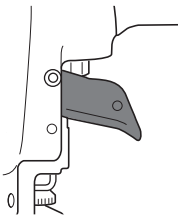
- (5) Separate the push lever from the workpiece. Next, point the Stapler downward, pull the trigger and then wait in that position for 5 seconds or longer.

THE STAPLER MUST NOT OPERATE.



CONTACT ACTUATION MECHANISM

Identified by: **BLACK TRIGGER**



- (1) With the Stapler off the workpiece, pull the Trigger. Next, depress the Push Lever against the workpiece.

THE STAPLER MUST OPERATE.

- (2) Next, depress the Push Lever against the workpiece. Now pull the Trigger.

THE STAPLER MUST OPERATE.

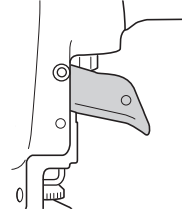
- (3) If no abnormal operation is observed, you may load staples and caps in the Stapler.

Drive staples into the workpiece that is the same type to be used in the actual application.

THE STAPLER MUST OPERATE PROPERLY.

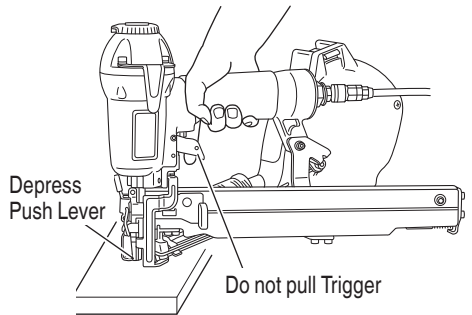
SINGLE SEQUENTIAL ACTUATION MECHANISM

Identified by: **RED TRIGGER**



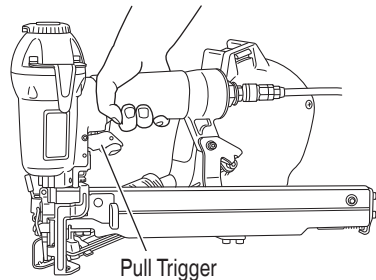
- (1) Remove the finger from the trigger and press the push lever against the workpiece.

THE STAPLER MUST NOT OPERATE.



- (2) Separate the push lever from the workpiece. Next, point the Stapler downward, pull the trigger and then wait in that position for 5 seconds or longer.

THE STAPLER MUST NOT OPERATE.



- (3) First pull the Trigger.
Next, depress the Push Lever against the workpiece.

THE STAPLER MUST NOT OPERATE.

- (4) Without touching the Trigger, depress the Push Lever against the workpiece.
Next, pull the Trigger.

THE STAPLER MUST OPERATE.

- (5) If no abnormal operation is observed, you may load staples and caps in the Stapler.
Drive staples into the workpiece that is the same type to be used in the actual application.

THE STAPLER MUST OPERATE PROPERLY.

ADJUSTING AIR PRESSURE

⚠ WARNING



- Do not exceed 120 psi (8.3 bar 8.5 kgf/cm²).

Adjust the air pressure at recommended operating pressure 70–120 psi (4.9–8.3 bar 5–8.5 kgf/cm²) according to the length of staples and the hardness of workpiece.

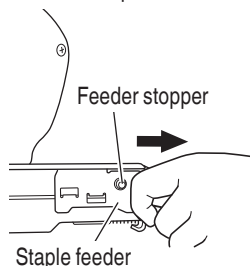
The correct air pressure is the lowest pressure which will do the job. Using the Stapler at a higher than required air pressure unnecessarily over stresses the Stapler.

LOADING STAPLES

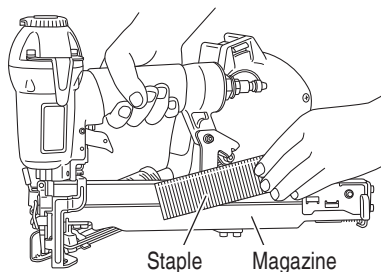
⚠ WARNING

- When loading staples into Stapler,
 - 1) do not pull trigger;
 - 2) do not depress push lever;
 - 3) disconnect air hose from stapler; and
 - 4) keep Stapler pointed downward.

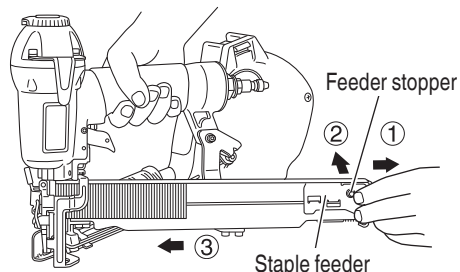
- (1) Pull the staple feeder backward, and confirm that the feeder stopper is securely lodged in the feeder stopper hole on the staple feeder.



- (2) Place the staple strip over the magazine. Make sure that the staple strip slides freely on the magazine.



- (3) Pull the staple feeder backward slightly, and press in the feeder stopper. Push the staple feeder forward. Gently set the staple feeder to the back of the loaded staples.



The Stapler is now ready to operate.

⚠ CAUTION

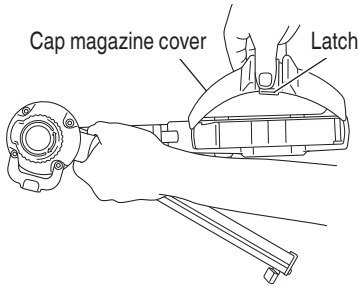
If the staple feeder is released all of a sudden, it can return abruptly, causing deformation and/or scatter, eventually ending up in clogged staples. Be absolutely sure to bring back the staple feeder, avoiding any impact.

LOADING CAPS

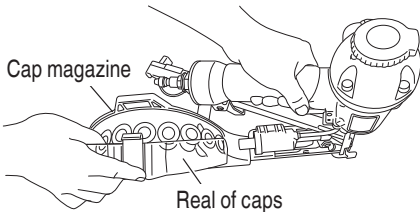
⚠ WARNING

- When loading staples into Stapler,
 - 1) do not pull trigger;
 - 2) do not depress push lever;
 - 3) disconnect air hose from stapler; and
 - 4) keep Stapler pointed downward.

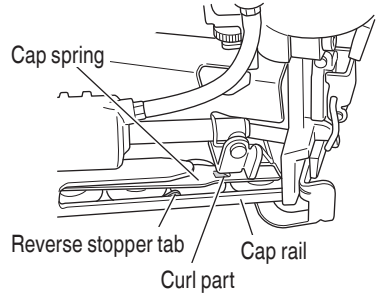
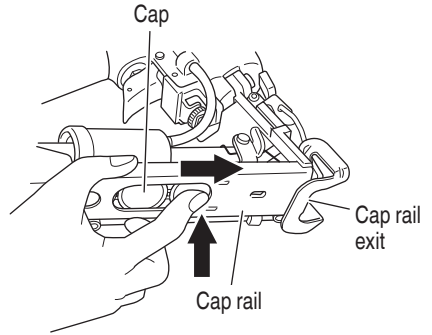
- (1) Press the latch of the cap magazine cover with your fingers and open the cap magazine cover.



- (2) Pull the caps slightly out of the reel then insert the reel of caps in the cap magazine.

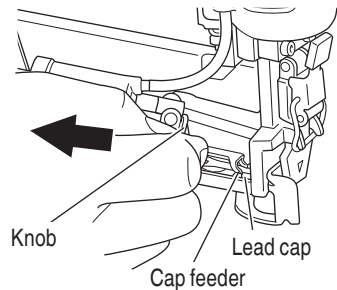


- (3) Press the cap spring up and guide the cap inside the cap rail. Set the second cap on the reverse stopper tab.



Pull in the opposite direction and verify that the setup is complete.

- (4) Close the cap magazine cover. Pull the knob in the direction of the arrow to pull back the cap feeder and feed the lead cap to the firing exit.

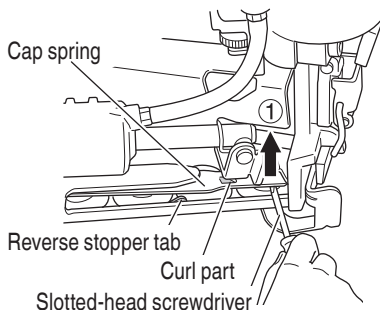


REMOVING CAPS

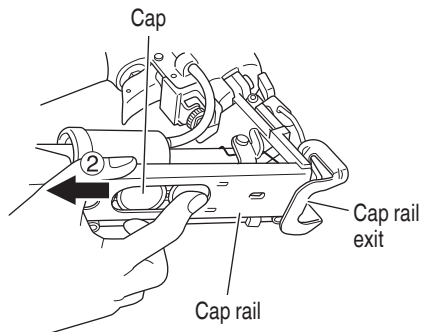
⚠ WARNING

- Remove air hose
- Remove staples

- (1) Gently press the cap spring up. (①)
(Use a slotted-head screwdriver or similar tool.)



- (2) As you remove the curl part of the cap spring from the cap, press the cap towards the cap magazine avoiding contact with reverse stopper tab of the cap rail. (②)



NOTE:

- Do not press the cap string too hard as a deformed cap spring will negatively affect the cap sending performance.
- If the cap rail exit becomes clogged, cut away the excess cap.

STAPLER OPERATION

Read section titled "SAFETY"(pages 4–8).

⚠ DANGER



- Operators and others in work area **MUST** wear safety glasses with side shields which conforms to ANSI Z87.1 specifications.
Ordinary eyeglasses do not provide adequate protection.

⚠ WARNING



- Only person who have read and understand this **MANUAL** should operate the Stapler.
- **NEVER** point tool at yourself or others in work area.
- Keep fingers **AWAY** from trigger when not driving staples to avoid accidental discharge.
- Know and understand what trigger system you are using.
Please read and understand "METHODS OF OPERATION" found below.
- Inspect the Stapler before operating to determine actuation system. Before starting work, check the stapling operation switching device.
This metabo HPT stapler includes a stapling operation switching device.
Before starting work, make sure that the switching device is properly set.
If the switching device is not set properly, the stapler will not operate correctly.
- Never place your hands or body closer than 8 inches (200 mm) from firing head when using.
- Do not drive staples into other staples; staples can ricochet and hurt someone.
- Do not actuate Stapler unless Stapler is placed firmly against the workpiece.
- In order to avoid double fire or unwanted ejection of a staple due to bouncing of the Stapler.
 - 1) do not push Stapler on workpiece with strong force;
 - 2) take Stapler away from workpiece using recoil;
 - 3) release trigger quickly when performing trigger fire.

- When working close to an edge of a workpiece or at steep angles, or driving fasteners into thin workpiece use care to minimize chipping, splitting or splintering, or free flight, ricochet or piercing of fasteners, which may cause injury.
- Never drive staples from both sides of a wall at the same time. Staples can be driven into and through the wall and hit a person on the opposite side.
- Never use Stapler which is defective or operating abnormally.
- Do not use Stapler as hammer.
- Disconnect air hose from Stapler when:
 - 1) it is not in use;
 - 2) leaving work area;
 - 3) elevating, lowering or otherwise moving it to another location;
 - 4) handing it to another person;
 - 5) changing switching device;
 - 6) performing any maintenance or repairs;
 - 7) clearing a jam;
 - 8) Stapler is outside of the operator's supervision or control;
 - 9) removing staples and caps from the magazine;
 - 10) adjusting stapling depth;
 - 11) turning the top cover; and
 - 12) When affixing the hook

There are two types of operation to drive staples with this Stapler.

Use CONTACT ACTUATION MECHANISM or SINGLE SEQUENTIAL ACTUATION MECHANISM in accordance with the work to be performed.

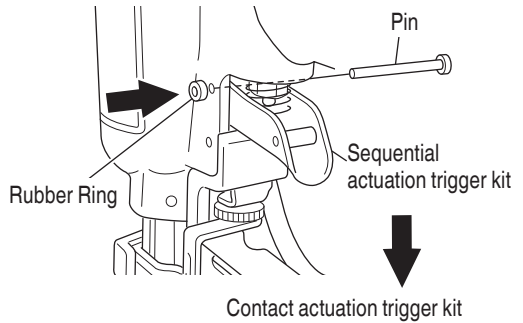
Explanation of the various stapling operations

- CONTACT ACTUATION MECHANISM: First, press the push lever against the workpiece; next, pull the trigger to drive the staple. Or, pull the trigger; next, press the push lever against the workpiece to drive the staple.

If the trigger is held back, a staple will be driven each time the push lever is pressed against the workpiece.

N3808AP is shipped with SEQUENTIAL ACTUATION KIT.

When switching from SEQUENTIAL ACTUATION KIT TO CONTACT ACTUATION KIT, replace to CONTACT ACTUATION KIT.



- SINGLE SEQUENTIAL ACTUATION MECHANISM: First, press the push lever against the workpiece; next, pull the trigger to drive the staple. After stapling once, stapling will not be possible again until the trigger is released and pressed again.

METHODS OF OPERATION

This Stapler is equipped with the push lever and does not operate unless the push lever is depressed (upward position). There are three methods of operation to drive staples with this Stapler.

They are:

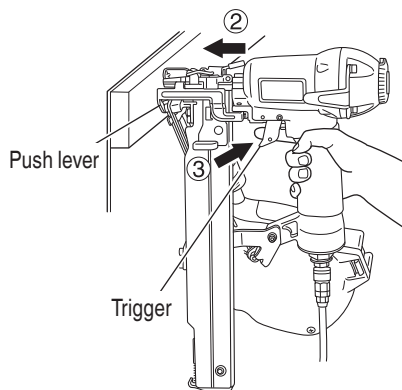
1. Intermittent operation (Trigger fire):
CONTACT ACTUATION MECHANISM, SINGLE SEQUENTIAL ACTUATION MECHANISM
 2. Continuous operation (Push lever fire):
CONTACT ACTUATION MECHANISM
 3. Single sequential operation (Trigger fire):
SINGLE SEQUENTIAL ACTUATION MECHANISM
- (1) Intermittent operation (Trigger fire)
Recommend to use SINGLE SEQUENTIAL ACTUATION MECHANISM

⚠ WARNING

- To avoid double firing or accidental firing due to recoil.

- 1) Pull the trigger rapidly and firmly.
- ① Position the staple outlet on the workpiece with finger off the trigger.
- ② Depress the push lever firmly until it is completely depressed.
- ③ Pull the trigger to drive a staple.
- ④ Remove finger from the trigger.

To continue stapling in a separate location, move the stapler along the workpiece, repeating steps ① - ④ as required.



⚠ WARNING

- A staple will fire each time the trigger is depressed as long as the push lever remains depressed.

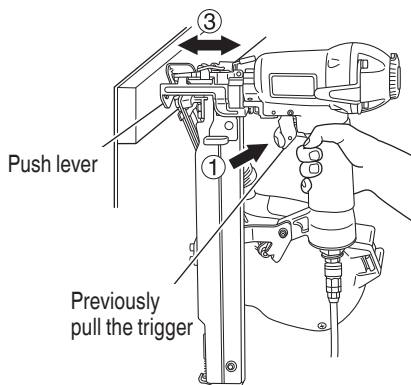
- (2) Continuous operation (Push lever fire)
Using CONTACT ACTUATION MECHANISM

⚠ WARNING

- To avoid double firing or accidental firing due to recoil.
 - 1) Do not press the stapler against the workpiece with excessive force.
 - 2) Separate the stapler from the workpiece as it recoils after stapling.
- If the hook is affixed, do not operate with CONTACT ACTUATION MECHANISM.

- ① Pull the trigger with the Stapler off the workpiece.
- ② Depress the push lever against the workpiece to drive a staple.
- ③ Move the Stapler along the workpiece with a bouncing motion.
Each depression of the push lever will drive a staple.

As soon as the desired number of staples have been driven, remove finger from the trigger.



- (3) Single sequential operation (Trigger fire)

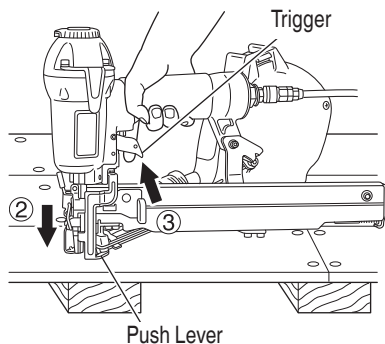
⚠ WARNING

- To avoid double firing or accidental firing due to recoil.

- 1) Pull the trigger rapidly and firmly.

- ① Position the staple outlet on the workpiece with finger off the trigger.
- ② Depress the push lever firmly until it is completely depressed.
- ③ Pull the trigger to drive a staple.
- ④ Remove finger from the trigger.

To continue stapling in a separate location, move the stapler along the workpiece, repeating steps ① - ④ as required.



⚠ WARNING

- **Keep your finger off the trigger except during fastening operation, because serious injury could result if the push lever accidentally contacts you or others in work area.**
- **Keep hands and body away from the discharge area. The Stapler with contact trip mechanism may bounce from the recoil of driving a fastener and unwanted subsequent fastener may be driven, possibly causing injury.**
- **Some types of loaded staples can spark out of the muzzle during a staple driving operation. Exercise caution!**

The SINGLE SEQUENTIAL ACTUATION MECHANISM is for use where precision fastener placement is desired.

The SINGLE SEQUENTIAL ACTUATION MECHANISM may reduce the possibility of bodily injury to you or others in the work area compared to the CONTACT ACTUATION MECHANISM. **This is because it is less likely to drive an unwanted staple if you keep the trigger pulled and accidentally bump the push lever against yourself or others.**

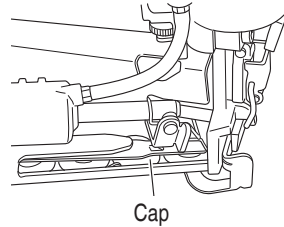
The SINGLE SEQUENTIAL ACTUATION MECHANISM may also reduce the speed of operation compared to the CONTACT ACTUATION MECHANISM. The SINGLE SEQUENTIAL ACTUATION MECHANISM is recommended to inexperienced users.

NOTE:

- If all warnings and instructions are followed, safe operation is possible with two systems: CONTACT ACTUATION MECHANISM and SINGLE SEQUENTIAL ACTUATION MECHANISM.
- Always handle staples and package carefully. If staples are dropped, collating bond may be broken, which will cause mis-feeding and jamming.
- After stapling:
 - 1) disconnect air hose from the Stapler;
 - 2) remove all staples and caps from the Stapler;
 - 3) supply 5–10 drops of metabo HPT pneumatic tool lubricant into the air plug on the Stapler; and
 - 4) open the petcock on the air compressor tank to drain any moisture.

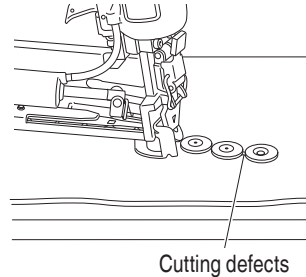
Examples of irregular feed for the Caps and countermeasures to remedy it are shown below.

1. Cut while connecting



- How to remedy this.
 - ① DISCONNECT THE AIR HOSE.
 - ② Remove the caps with your finger or other object.
 - ③ Confirm that the caps are correctly positioned. If it is not, adjust cap position. (Refer to Loading Caps on page 16.)

2. Cutting defects during stapling



- How to remedy this.
 - ① DISCONNECT THE AIR HOSE.
 - ② Remove the caps with your finger or other object.
 - ③ Confirm that the caps are correctly positioned. If it is not, adjust cap position. (Refer to Loading Caps on page 16.)

ADJUSTING THE STAPLING DEPTH

⚠ WARNING

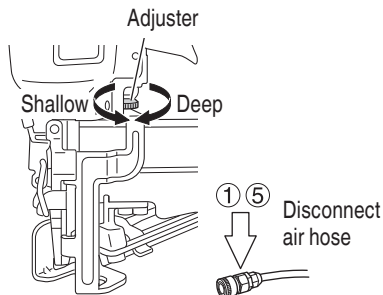
- **Disconnect the air hose from the stapler before turning the adjuster.**

To assure that each staple penetrates to the same depth, be sure that:

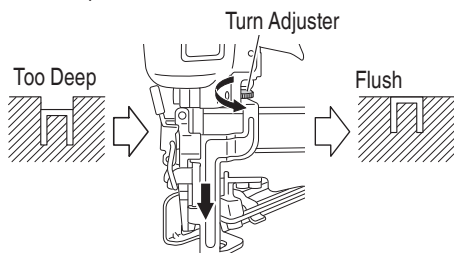
- 1) the air pressure to the Stapler remains constant (regulator is installed and working properly), and
- 2) the Stapler is always held firmly against the workpiece.

If staples are driven too deep or shallow into the workpiece, adjust the stapling in the following order.

① DISCONNECT AIR HOSE FROM STAPLER.



- ② If staples are driven too deep, turn the adjuster to the shallow side.
If staples are driven too shallow, turn the adjuster to the deep side.



- ③ Stop turning the adjuster when a suitable position is reached for a stapling test.
- ④ Connect the air hose.
ALWAYS WEAR SAFETY GLASSES.
Perform a stapling test.
- ⑤ DISCONNECT AIR HOSE FROM STAPLER.
- ⑥ Choose a suitable position for the adjuster.

NOTE:

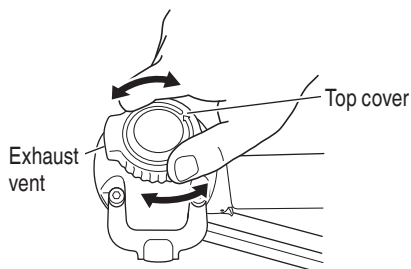
- The staple might not drive deep enough if using high pressure with the adjuster set upwards (shallow side) due to factors such as the material hardness or staple type.
If that happens, reduce pressure and set the adjuster to lowest position so the staple drives in at a good position.

CHANGING THE EXHAUST DIRECTION

⚠ WARNING

- Disconnect the air hose from the stapler before turning the top cover.

The direction of the exhaust vent can be changed by turning the top cover.

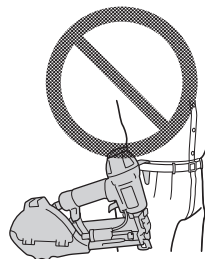


HOOK

With the N3808AP, an included hook can be attached by using M5 bolts which are included with the tools. When the tool is detached from the hose and not in use, the hook can be used to store the unit.

⚠ WARNING

- When attaching or detaching the hook, contact metabo HPT Authorized Service Centers.
- When the hook is attached, operate only with **SINGLE SEQUENTIAL ACTUATION MECHANISM** and not with **CONTACT ACTUATION MECHANISM**. For switching between **SINGLE SEQUENTIAL** and **CONTACT**, see the appropriate section in "STAPLER OPERATION".
- Disconnect the air hose when hook the unit.
- Do not hook on high or unstable locations.
Also, do not hook it to the body, clothing, belt or other personal items.



MAINTENANCE

NOTE:

The information contained in this Manual is designed to assist you in the safe maintenance of the Stapler.

Some illustrations in this Manual may show details or attachments that differ from those on your own Stapler.

MAINTENANCE AND INSPECTION

Read section titled "SAFETY" (pages 4–8).

⚠ WARNING

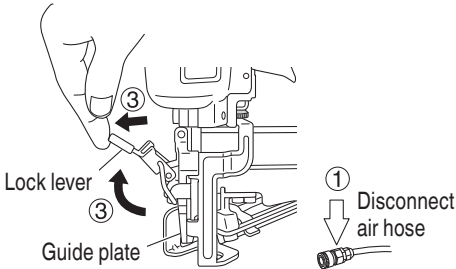
- **Disconnect air hose and remove all staples from Stapler when:**

- 1) **doing maintenance and inspection; and**
- 2) **clearing a jam.**

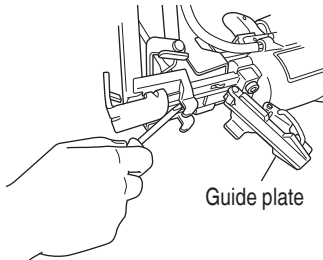
1. Clearing a jam

Remove a jammed staple in the following order:

- ① Disconnect air hose.
- ② Remove all staples and caps.
- ③ Release the lock lever and open guide plate.



- ④ Remove the jammed staple with a slotted-head screwdriver.

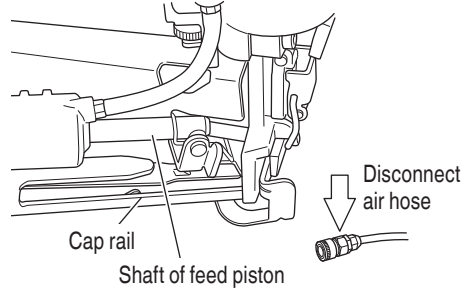


- ⑤ Close guide plate and latch.
- ⑥ In case of frequent jam, contact a metabo HPT authorized service center.

2. Inspecting the feeders

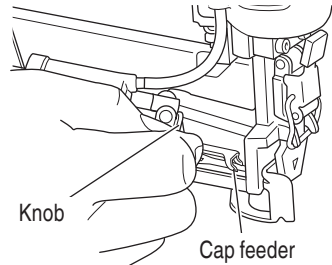
(Cap feed unit)

- ① **DISCONNECT AIR HOSE.**
- ② Clean the shaft of feed piston and the cap rail. Lubricate the shaft of feed piston.



⚠ CAUTION

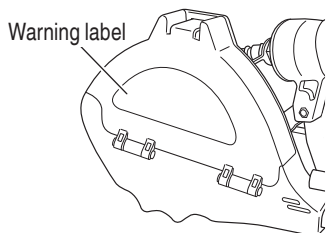
- **Pull the knob of cap feeder and staple feeder to check if moves smoothly. If it does not move smoothly, the timing for the cap and staple will be off and the stapling finishing by be poor.**



3. Inspecting the magazine and the cap magazine

- ① **DISCONNECT AIR HOSE.**
- ② Clean the magazine and the cap magazine. Remove dust or wooden tips which may have accumulated in the magazine and the cap magazine.

4. Storing
 - When not in use for an extended period, apply a thin coat of the lubricant to the steel parts to avoid rust.
 - Do not store the Stapler in a cold weather environment. Keep the Stapler in a warm area.
 - When not in use, the Stapler should be stored in a warm and dry place. Keep out of reach of children.
5. WARNING LABEL
Do not use the Stapler with missing or damaged WARNING LABEL.
A new WARNING LABEL is available from a metabo HPT authorized service center.



6. Maintenance chart (See page 23)
7. Operator troubleshooting (See page 24)
8. Service parts list

⚠ CAUTION

- **Repair, modification and inspection of metabo HPT Power Tools must be carried out by an metabo HPT Authorized Service Center.**

Maintenance chart

ACTION	WHY	HOW
Drain air line filter daily.	Prevent accumulation of moisture and dirt.	Open manual petcock.
Keep lubricator filled.	Keep the Stapler lubricated.	Fill with metabo HPT pneumatic tool lubricant.
Clean filter element and blow air through filter in direction opposite to normal flow daily.	Prevent clogging of filter with dirt.	Follow manufacturer's instructions.
Clean staples and caps magazine and staples and caps feeding mechanism.	Prevent a jam.	Blow clean daily.
Keep push lever working properly.	Promote operator safety and efficient Stapler operation.	Blow clean daily.
Lubricate the Stapler after stapling.	Extend the Stapler life.	Supply 5–10 drops of lubricant into the Stapler.
Drain air compressor daily.	Keep the Stapler operated properly.	Open petcock on air compressor tank.

This Parts List will be helpful if presented with the tool to the metabo HPT Authorized Service Center when requesting repair or other maintenance. In the operation and maintenance of power tools, the safety regulations and standards prescribed in each country must be observed.

MODIFICATIONS:

metabo HPT Power Tools are constantly being improved and modified to incorporate the latest technological advancements.

Accordingly, some parts (i.e. code numbers and/or design) may be changed without prior notice.

SERVICE AND REPAIRS

⚠ WARNING

- **Only service personnel trained by metabo HPT, distributor or employer shall repair the Stapler.**
- **Use only parts supplied or recommended by metabo HPT for repair.**

All quality Staplers will eventually require servicing or replacement of parts because of wear from normal use.

NOTE:

Specifications are subject to change without any obligation on the part of metabo HPT.

Operator troubleshooting

Most minor problems can be resolved quickly and easily using the table below.

If problems persist, contact a metabo HPT authorized service center for assistance.

PROBLEM	CHECK METHOD	CORRECTION
Stapler operates, but no staple or cap is driven.	Check for a jam.	Clean jam per page 22.
	Open the cap magazine cover. Check to see that the Cap is loaded properly.	Re-load the Cap properly.
	Staple feeder damaged?	Replace staple feeder.
	Ribbon spring weakened or damaged?	Replace ribbon spring.
	Cap spring weakened or damaged?	Replace cap spring.
	Check for proper staples and caps.	Use only recommended staples and caps.
Weak drive. Slow to cycle	Check air pressure.	Increase air pressure. (Do not exceed 120 psi (8.3 bar 8.5 kgf/cm ²))
	Check position of stapling depth adjuster	Readjust per page 20.
	_____	Use metabo HPT pneumatic tool lubricant.
	Driver blade worn?	Contact metabo HPT for replacement.
	Piston O-ring worn or damaged?	
Feed piston worn or damaged?		
Drives too deep.	Check air pressure.	Reduce air pressure. (Adjust 70–120 psi)
	Check position of stapling depth adjuster	Readjust per page 20.
Skipping staples and caps. Intermittent feed.	Check for proper staples and caps.	Use only recommended staples and caps.
	Check to see that the Cap is loaded properly.	Re-load the Cap properly.
	Staple feeder damaged?	Replace staple feeder.
	Check for proper feed piston.	Replace spring or O-ring.
	Ribbon spring weakened or damaged?	Replace ribbon spring.
	Cap spring weakened or damaged?	Replace cap spring.
	Piston O-ring worn or damaged?	Contact metabo HPT for replacement.
Staples jam. Driven staple is bent.	Check for proper staples.	Use only recommended staples.
	Driven blade worn?	Contact metabo HPT for replacement.
	Staple feeder damaged?	Replace staple feeder.
Drives properly during normal operation, but does not drive fully at faster stapling speeds.	Check inside diameter of air hose.	Use larger air hose.

INFORMATIONS IMPORTANTES DE SÉCURITÉ



Lire et bien assimiler toutes les étiquettes de l'outil ainsi que toutes les instructions de fonctionnement, les consignes de sécurité et les avertissements de ce mode d'emploi avant d'utiliser ou d'entretenir cette agrafeuse.

Le non-respect des avertissements pourrait entraîner la MORT ou des BLESSURES GRAVES.

La plupart des accidents résultant de l'utilisation ou de l'entretien des agrafeuses sont dus au non-respect de certaines consignes et précautions de sécurité élémentaires. Un accident peut souvent être évité en reconnaissant une situation potentiellement dangereuse avant qu'elle ne se produise, et en respectant les procédures de sécurité applicables.

Les consignes de sécurité élémentaires sont données dans la section "SÉCURITÉ" du manuel et dans les sections relatives aux instructions d'utilisation et d'entretien.

Les dangers à éviter pour empêcher tout risque de blessures ou de dommage de l'outil sont identifiés par les mots DANGER et AVERTISSEMENT, sur l'agrafeuse et dans ce manuel.

Ne jamais utiliser cette agrafeuse pour des applications autres que celles qui sont spécifiées dans ce manuel.

DÉFINITION DES MOTS DE SIGNALISATION

DANGER indique une situation imminente dangereuse qui, si elle n'est pas évitée, entraînera la mort ou des blessures graves.

AVERTISSEMENT indique une situation potentiellement dangereuse qui, si elle n'est pas évitée, risque d'entraîner la mort ou des blessures graves.

ATTENTION indique une situation potentiellement dangereuse qui, si elle n'est pas évitée, risque d'entraîner des blessures légères ou modérées, ou d'endommager l'outil.

REMARQUE met en relief les informations essentielles.

EXPLICATION DE L'ACTION D'AGRAFAGE DE L'AGRAFEUSE metabo HPT

- **MÉCANISME DE DÉCLENCHEMENT SÉQUENTIEL UNIQUE:**
Appuyer tout d'abord le levier-poussoir contre la pièce à usiner, puis tirer sur la gâchette pour enfoncer l'attache. Une fois l'agrafe posée, l'opérateur doit relâcher la gâchette puis appuyer dessus une nouvelle fois pour enfoncer une autre agrafe.
- **MÉCANISME DE DÉCLENCHEMENT PAR CONTACT:**
Appuyer tout d'abord le levier-poussoir contre la pièce à usiner, puis tirer sur la gâchette pour enfoncer l'attache. Tirer tout d'abord sur la gâchette, puis appuyer le levier-poussoir contre la pièce à usiner pour enfoncer l'attache. Si la gâchette est maintenue tirée, une attache s'enfonce chaque fois que le levier-poussoir est appuyé contre la pièce à usiner.

SÉCURITÉ

CONSIGNES DE SÉCURITÉ IMPORTANTES POUR L'UTILISATION DE L'AGRAFEUSE

CONSIGNES RELATIVES À UN RISQUE D'INCENDIE, DE CHOC ÉLECTRIQUE OU DE BLESSURES CORPORELLES

● Généralités

Afin de réduire les risques de choc électrique, d'incendie et de blessures physiques, **LIRE TOUTES LES INSTRUCTIONS AVANT D'UTILISER L'OUTIL.**

⚠ DANGER

1. LES OPÉRATEURS ET LES AUTRES PERSONNES DANS L'AIRE DE TRAVAIL DOIVENT PORTER UNE PROTECTION OCULAIRE (LUNETTES DE PROTECTION AVEC ÉCRANS LATÉRAUX).



Quand on utilise l'agrafeuse, toujours porter des lunettes de protection avec visières latérales, et veiller à ce que les autres personnes dans la zone de travail en portent également.

Les lunettes de protection devront respecter les exigences de l'ANSI (American National Standards Institute) Z87.1 et assurer la protection contre les projections de particules arrivant par l'avant et par le côté.

Les lunettes ordinaires ne fournissent pas une protection adéquate.

L'employeur doit veiller à ce que la personne qui utilise l'agrafeuse et les autres personnes dans l'aire de travail portent des lunettes de protection.

2. NE JAMAIS UTILISER DE GAZ RÉACTIFS NI AUCUN AUTRE GAZ EN BOUTEILLE. IL POURRAIT SE PRODUIRE UNE EXPLOSION.



Ne jamais utiliser de gaz réactifs (tels que l'oxygène), de gaz combustibles ni aucun autre gaz en bouteille comme source d'alimentation de l'agrafeuse.

L'utilisation de ces gaz serait dangereuse, car l'agrafeuse exploserait. Utiliser exclusivement de l'air comprimé propre, sec et régulé.

⚠ AVERTISSEMENT

3. NE JAMAIS DIRIGER L'OUTIL VERS SOI NI VERS QUELQU'UN D'AUTRE DANS L'AIRE DE TRAVAIL.



Toujours supposer que l'agrafeuse renferme des attaches.

Ne jamais diriger l'agrafeuse vers soi, ni vers quelqu'un d'autre, qu'elle renferme des attaches ou non.

Si l'on enfonce des attaches par erreur, cela risque de provoquer des blessures graves.

Ne jamais s'amuser avec l'agrafeuse.

L'agrafeuse est un instrument de travail. Le respecter.

Ne jamais transporter l'outil avec le doigt sur la gâchette, car on risquerait d'enfoncer accidentellement une attache et de se blesser ou de blesser quelqu'un d'autre.

Toujours transporter l'agrafeuse exclusivement par sa poignée.

5. CONNAÎTRE ET COMPRENDRE LE SYSTÈME DE GÂCHETTE UTILISÉ.

Lire et bien assimiler la section intitulée "MÉTHODES D'UTILISATION". (pages 42-44)

4. NE PAS PLACER LE DOIGT SUR LA GÂCHETTE ET MAINTENIR LES DOIGTS ÉLOIGNÉS DE CELLE-CI QUAND ON N'EFFECTUE PAS D'AGRAFAGE POUR ÉVITER TOUT RISQUE D'AGRAFAGE ACCIDENTEL.

6. NE PAS ENTRER EN CONTACT AVEC L'EMBOUT DE SÉCURITÉ (LEVIER-POUSOIR) QUAND ON N'EFFECTUE PAS D'AGRAFAGE.

SÉCURITÉ — Suite

⚠ AVERTISSEMENT

Lors de l'utilisation de ces outils, des précautions de base doivent être respectées, notamment:

1. Zone de travail

- (1) **Maintenir la zone de travail propre et bien éclairée.**

Les zones sombres et encombrées augmentent les risques de choc électrique, d'incendie ou blessures physiques.

- (2) **Ne pas utiliser l'agrafeuse dans un endroit présentant un risque d'explosion, par exemple en présence de liquides inflammables, de gaz ou de poussières combustibles.**

L'agrafeuse peut provoquer des étincelles susceptibles d'enflammer la poussière ou les vapeurs.

- (3) **Maintenir les passants, enfants et visiteurs à l'écart pendant l'utilisation de l'agrafeuse.** Toute distraction peut provoquer la perte de contrôle de l'agrafeuse.

2. Sécurité personnelle

- (1) **Rester sur ses gardes. Se concentrer sur la tâche et faire preuve de bon sens quand on travaille avec l'agrafeuse. Ne pas utiliser l'agrafeuse si on est fatigué, après avoir consommé des drogues ou de l'alcool, ou sous l'influence de médicaments.**

Tout moment d'inattention pendant l'utilisation de l'agrafeuse augmente le risque de blessures physiques.

- (2) **Porter des vêtements appropriés. Ne pas porter de vêtements amples ou de bijoux. Si l'on a les cheveux longs, les maintenir sous un couvre-chef. Maintenir les cheveux, vêtements et gants à l'écart des pièces mobiles.**

Les vêtements amples, les bijoux et les cheveux longs augmentent le risque de blessures physiques car ils peuvent être entraînés par les pièces mobiles.

- (3) **Éviter toute mise en marche accidentelle. Vérifier que le commutateur est sur arrêt avant de brancher le tuyau d'air. Ne pas transporter l'agrafeuse en gardant le doigt sur le commutateur ou raccorder le tuyau d'air quand le commutateur est sur marche.**

- (4) **⚠ AVERTISSEMENT** – Débrancher le tuyau d'air de l'agrafeuse lors des réglages ou de l'entretien, lors du retrait d'agrafes coincées, de l'actionnement du levier-poussoir ou de la fixation du crochet ; si vous ne vous en servez pas, quittez l'aire de travail ou laissez l'agrafeuse hors de la supervision ou du contrôle de l'opérateur ; lors de la charge ou la décharge, si vous la passez à quelqu'un d'autre, la soulevez ou l'abaissez, ou lorsque vous la déplacez dans un autre endroit. Ne jamais essayer de retirer des agrafes coincées ou de réparer l'agrafeuse si le tuyau d'air n'est pas débranché et que les agrafeuses restants n'ont pas été retirées de l'agrafeuse. L'agrafeuse ne doit jamais rester sans surveillance car des personnes non familiarisées avec ce type d'outil pourraient la manipuler et se blesser.

Ces mesures de précaution réduisent le risque de blessures physiques.

- (5) **Ne pas trop se pencher. Conserver une bonne assise et un bon équilibre en permanence.** Une bonne assise et un bon équilibre favorisent un meilleur contrôle de l'agrafeuse dans des situations inattendues.
- (6) **Utiliser des équipements de sécurité.** Utiliser un masque anti-poussière, des chaussures de sécurité antidérapantes et un casque de sécurité lorsque les conditions l'exigent.

- (7) **⚠ AVERTISSEMENT** – Risque de perte auditive. Porter une protection auditive.

La protection auditive doit avoir un CAS (coefficient d'atténuation sonore) déterminé selon les règles de l'Agence américaine de la protection de l'environnement, approprié pour l'exposition au bruit.

- (8) **Toujours porter un casque. Toujours porter un casque pour se protéger la tête contre les projectiles.**

Le casque doit être conforme à la norme ANSI Z89.1, "Norme Nationale Américaine pour les Casques de Protection Industriels".

SÉCURITÉ — Suite

⚠ AVERTISSEMENT

(9) Ne pas attacher le tuyau ou l'agrafeuse à votre corps.

Attacher le tuyau à la structure pour réduire le risque de perte d'équilibre en cas de mouvements brusques du tuyau.

- (10) ⚠ AVERTISSEMENT** – Enfoncer les agrafes uniquement dans une surface de travail appropriée. Ne pas enfoncer les agrafes dans d'autres agrafes. Celles-ci pourraient ricocher et blesser quelqu'un, ou provoquer une réaction inattendue de l'agrafeuse susceptible d'entraîner une blessure physique.

3. Utilisation et entretien de l'agrafeuse**(1) Utiliser des serre-joints ou tout autre moyen pratique pour maintenir la pièce sur une surface stable en toute sécurité.**

Maintenir la pièce à la main ou contre soi est une technique instable et peut provoquer une perte de contrôle.

- (2) Ne pas forcer sur l'agrafeuse.** Utiliser l'agrafeuse approprié à votre usage. L'agrafeuse approprié effectuera la tâche en toute sécurité selon les spécifications pour lesquelles elle est destinée.

- (3) Ne pas utiliser l'agrafeuse si le commutateur ne permet pas de la mettre sur marche ou arrêt.** Toute agrafeuse ne pouvant pas être contrôlée par le commutateur est dangereux et doit être réparé.

Ne jamais utiliser une agrafeuse défectueuse ou qui ne fonctionne pas normalement. Si l'agrafeuse semble ne pas fonctionner comme d'habitude, qu'elle émet des bruits bizarres ou qu'elle semble défectueuse, cesser immédiatement de l'utiliser et la faire réparer par un service après-vente metabo HPT agréé.

- (4) Débrancher le tuyau d'air de l'agrafeuse avant de procéder à des réglages, de changer des accessoires ou de la remiser.** Ces mesures de sécurité préventives réduisent le risque de déclenchement accidentel de l'agrafeuse.

- (5) Remiser l'agrafeuse, lorsqu'elle est inutilisée, hors de portée des enfants et de toute personne non formée à son utilisation.** Une agrafeuse s'avère dangereuse entre les mains de personnes non formées à son utilisation.

- (6) Entretenir soigneusement l'agrafeuse.** Veiller à ce que l'agrafeuse soit toujours propre et graissée pour obtenir un fonctionnement optimal et en toute sécurité.

- (7) Contrôler tout mauvais alignement ou grippage des pièces mobiles, toute rupture de pièces et toute autre situation pouvant affecter le fonctionnement de l'agrafeuse.**

Si elle est endommagée, faire réparer l'agrafeuse avant toute nouvelle utilisation. En raison de la pression d'air élevée à l'intérieur de l'agrafeuse, les fissures en surface sont dangereuses. Pour éviter tout risque, ne pas faire tomber l'agrafeuse ni la heurter contre des surfaces dures ; et ne pas la rayer ni y graver d'inscriptions. De nombreux accidents sont provoqués par des agrafeuses mal entretenues. Il y a un risque d'éclatement si l'agrafeuse est endommagée.

- (8) Ne pas utiliser une agrafeuse en mauvais état de marche. Des étiquettes et une séparation physique doivent être utilisées pour contrôle.**

- (9) Utiliser exclusivement des accessoires fournis ou recommandés par metabo HPT pour cette agrafeuse spécifique.** L'utilisation d'un accessoire non destiné à cette agrafeuse spécifique augmente le risque de blessures physiques.

- (10) Utiliser exclusivement les attaches mentionnées dans la section Accessoires du présent manuel.** Les attaches non recommandées par metabo HPT en vue d'une utilisation avec cette agrafeuse augmentent le risque de blessures physiques ou peuvent endommager l'agrafeuse.

4. Entretien

- (1) L'entretien de cet outil doit être confié exclusivement au personnel d'entretien qualifié.**

- (2) Pour les réparations, utiliser exclusivement des pièces de rechange identiques. Utiliser exclusivement des pièces agréées.**

- (3) Utiliser exclusivement la graisse fournie avec l'agrafeuse ou recommandée par metabo HPT.**

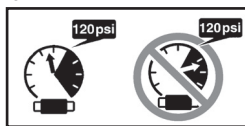
SÉCURITÉ — Suite

⚠ AVERTISSEMENT

5. Alimentation d'air

- (1) **Ne jamais raccorder l'agrafeuse à une source d'alimentation qui risque de dépasser 200 psi (13.7 bars 14 kgf/cm²) si une défaillance du régulateur se produit.**

Une pression excessive à l'intérieur de l'agrafeuse peut provoquer son éclatement, un fonctionnement anormal, la panne de l'agrafeuse ou des blessures physiques graves.



NE PAS DÉPASSER 120 psi (8.3 bars 8.5 kgf/cm²).

Utiliser exclusivement de l'air comprimé propre, sec et régulé à la pression nominale ou dans la plage de pression nominale indiquée sur l'agrafeuse.

Toujours vérifier, avant d'utiliser l'agrafeuse, que l'alimentation d'air a été ajustée en fonction de la pression d'air nominale ou dans la plage de pression d'air nominale stipulée.

- (2) **Ne jamais utiliser de gaz réactifs (tels que l'oxygène), de dioxyde de carbone, de gaz combustibles ou tout autre gaz en bouteille comme source d'alimentation de l'agrafeuse.** L'utilisation de ces gaz pourrait provoquer une explosion et causer de graves blessures physiques.

6. Autres

- (1) **Avant de commencer le travail, vérifier le dispositif de commutation de l'opération d'agrafage.**

Cette agrafeuse metabo HPT comprend un dispositif de commutation de l'opération d'agrafage.

Avant de commencer le travail, vérifier le réglage du dispositif de commutation de l'opération d'agrafage.

Si le dispositif de commutation de l'opération d'agrafage n'est pas réglé correctement, l'agrafeuse ne fonctionnera pas correctement.

- (2) **Toujours sélectionner le dispositif de commutation approprié pour l'application et la formation de l'opérateur.**

- (3) **Faire attention aux doubles activations et aux coups par l'agrafeuse suite au retour brutal ("rappel").** Après avoir enfoncé une agrafe, l'agrafeuse peut effectuer un rappel causant son éloignement de la surface de travail.

Pour réduire le risque de blessure, toujours gérer le rappel en :

- 1) maintenant toujours le contrôle de l'agrafeuse.
- 2) laissant le rappel éloigner l'agrafeuse de la surface de travail.
- 3) ne résistant pas au rappel de sorte que l'agrafeuse sera refoulée contre la surface de travail. Dans "MÉCANISME DE DÉCLENCHEMENT PAR CONTACT", si on laisse le levier-poussoir entrer de nouveau en contact avec la surface de travail avant de relâcher la gâchette, un agrafage imprévu se produira. Afin d'éviter ces doubles activations indésirables,

- Fonctionnement intermittent (déclenchement par gâchette)

- ① Régler le dispositif de commutation sur la position MÉCANISME DE DÉCLENCHEMENT SÉQUENTIEL UNIQUE.

- ② Tirer sur la gâchette rapidement et fermement.

- Fonctionnement continu (déclenchement par levier-poussoir)

- ① Régler le dispositif de commutation sur la position MÉCANISME DE DÉCLENCHEMENT PAR CONTACT.

- ② Ne pas appuyer l'agrafeuse trop fort contre la pièce à usiner.

- ③ Éloigner l'agrafeuse de la pièce à usiner car elle effectue un rappel après l'agrafage.

- 4) éloignant le visage et les parties du corps de l'agrafeuse.

- (4) **Ne jamais utiliser de coupleur NON dégageant sur l'agrafeuse.** Si l'on utilise un coupleur non dégageant sur l'agrafeuse, celui-là risque de rester chargé d'air après le débranchement et, par conséquent, d'enfoncer une agrafe même après avoir été débranché. L'agrafeuse et le tuyau d'air doivent avoir un coupleur de tuyau de façon à ce que toute la pression soit évacuée de l'agrafeuse quand on débranche le joint de couplage.

SÉCURITÉ — Suite

⚠ AVERTISSEMENT

- (5) **Vérifier le levier-poussoir avant l'utilisation.** S'assurer que le levier-poussoir fonctionne correctement, et qu'il ne soit pas inutilisable, déconnecté, ou modifié. (Le levier-poussoir est parfois appelé "sécurité") Ne jamais utiliser l'agrafeuse si le levier-poussoir ne fonctionne pas correctement. Une agrafe pourrait s'enfoncer accidentellement. Ne pas modifier ou retirer le levier-poussoir, car sinon il pourrait devenir inutilisable.
- (6) **Veiller à ce que toutes les vis et les couvercles soient en place et bien serrés.** Veiller à ce que les vis et les couvercles soient solidement fixés. Les vérifier périodiquement. Ne jamais utiliser l'agrafeuse si des pièces sont manquantes ou sont endommagées.
- (7) **Ne pas charger d'agrafes si la gâchette ou le levier-poussoir sont enfoncés.** Quand on charge des agrafes dans l'agrafeuse ou qu'on raccorde le tuyau d'air,
- 1) ne pas appuyer sur la gâchette;
 - 2) ne pas actionner le levier-poussoir; et
 - 3) diriger l'agrafeuse vers le bas.
- (8) **Éloigner les mains et le corps de la tête d'agrafage pendant l'utilisation.** Ne jamais approcher les mains ni les pieds à moins de 8 pouces (200 mm) de la tête d'agrafage. Il y a un risque de blessure grave si les agrafes sont déviées par la pièce ou qu'elles sont déportées au-delà du point d'entrée.
- (9) **Quand on travaille près du bord d'une pièce ou à un angle prononcé, ou quand on enfonce des agrafes dans une pièce fine, prendre soin de minimiser le déchiquetage, le fractionnement ou l'éclatement, ou le vol libre, le ricochet ou le perçage des agrafes, pouvant provoquer des blessures.**
- (10) **Ne jamais enfoncer d'attaches des deux côtés d'un mur en même temps.** Les attaches pourraient traverser le mur et blesser quelqu'un de l'autre côté.
- (11) **Redoubler de précaution quand on agrafe dans des murs existants ou d'autres zones mortes pour prévenir le contact avec des objets cachés ou des personnes de l'autre côté (par ex., câbles, tuyaux).**
- (12) **Vérifier s'il y a des fils sous tension.** Pour éviter tout risque d'électrocution grave, vérifier s'il y a des fils sous tension dissimulés dans le mur, le plancher ou le plafond. Couper le disjoncteur pour s'assurer qu'il n'y a pas de fils sous tension.
- (13) **Ne pas lever, tirer ou abaisser l'agrafeuse par le tuyau.**
- (14) **Ne pas débrancher le tuyau d'air de l'agrafeuse avec le doigt sur la gâchette.** Le pourrait se déclencher lorsque l'alimentation d'air sera à nouveau raccordée.
- (15) **Manipuler l'agrafeuse correctement.** Utiliser l'agrafeuse en suivant les instructions du manuel. Ne jamais permettre que l'agrafeuse soit utilisée par des enfants, des personnes non familiarisées avec son fonctionnement ou du personnel non autorisé.
- (16) **Ne jamais utiliser l'agrafeuse pour des applications autres que celles spécifiées dans le présent manuel.**
- (17) **Ne jamais modifier ni altérer une agrafeuse.** Cela pourrait provoquer un mauvais fonctionnement et entraîner des blessures physiques.
- (18) **Lors du basculement entre le déclenchement SÉQUENTIEL UNIQUE et le déclenchement PAR CONTACT, déconnectez le tuyau d'air et retirez toutes les agrafes.**
- (19) **Lorsque le crochet est fixé, faites fonctionner l'outil uniquement avec le MÉCANISME DE DÉCLENCHEMENT SÉQUENTIEL UNIQUE et pas avec le MÉCANISME DE DÉCLENCHEMENT PAR CONTACT.**
- (20) **Déconnectez le tuyau d'air lors de l'accrochage du crochet.**
- (21) **N'accrochez pas le crochet sur des emplacements élevés ou instables. De plus, ne l'accrochez pas au corps, aux vêtements, à une ceinture ou à d'autres articles personnels.**

SÉCURITÉ — Suite

RESPONSABILITÉS DE L'EMPLOYEUR, DU PROPRIÉTAIRE DE L'OUTIL ET DE L'OPÉRATEUR DE L'OUTIL

1. Veiller à ce que ce MANUEL reste à la disposition des personnes qui doivent utiliser ou entretenir l'agrafeuse.
2. Sélectionner un dispositif de commutation approprié en prenant en considération l'utilisation de l'agrafeuse.
3. Former l'opérateur à l'utilisation sécuritaire de l'agrafeuse comme décrit dans ce MANUEL.
4. Veiller à ce que seules les personnes qui ont lu et compris ce MANUEL utilisent l'agrafeuse.
5. Veiller à ce que les agrafeuses soient utilisées exclusivement lorsque les opérateurs et les autres personnes présentes dans l'aire de travail portent des LUNETTES DE PROTECTION et un autre équipement de protection individuelle approprié comme une PROTECTION POUR LA TÊTE, LES OREILLES ET LES PIEDS.
6. Obliger les opérateurs et les autres personnes présentes dans l'aire de travail à porter des LUNETTES DE PROTECTION.
7. Veiller à ce que les agrafeuses soient conservées en bon état de marche comme décrit dans ce MANUEL.
8. Entretenir les agrafeuses correctement.
9. Veiller à ce que seul le personnel qualifié répare les agrafeuses.
10. Veiller à ce que les agrafeuses qui ont besoin d'être réparées soient retirées du service et que des étiquettes et une séparation physique soient utilisées comme moyen de contrôle.

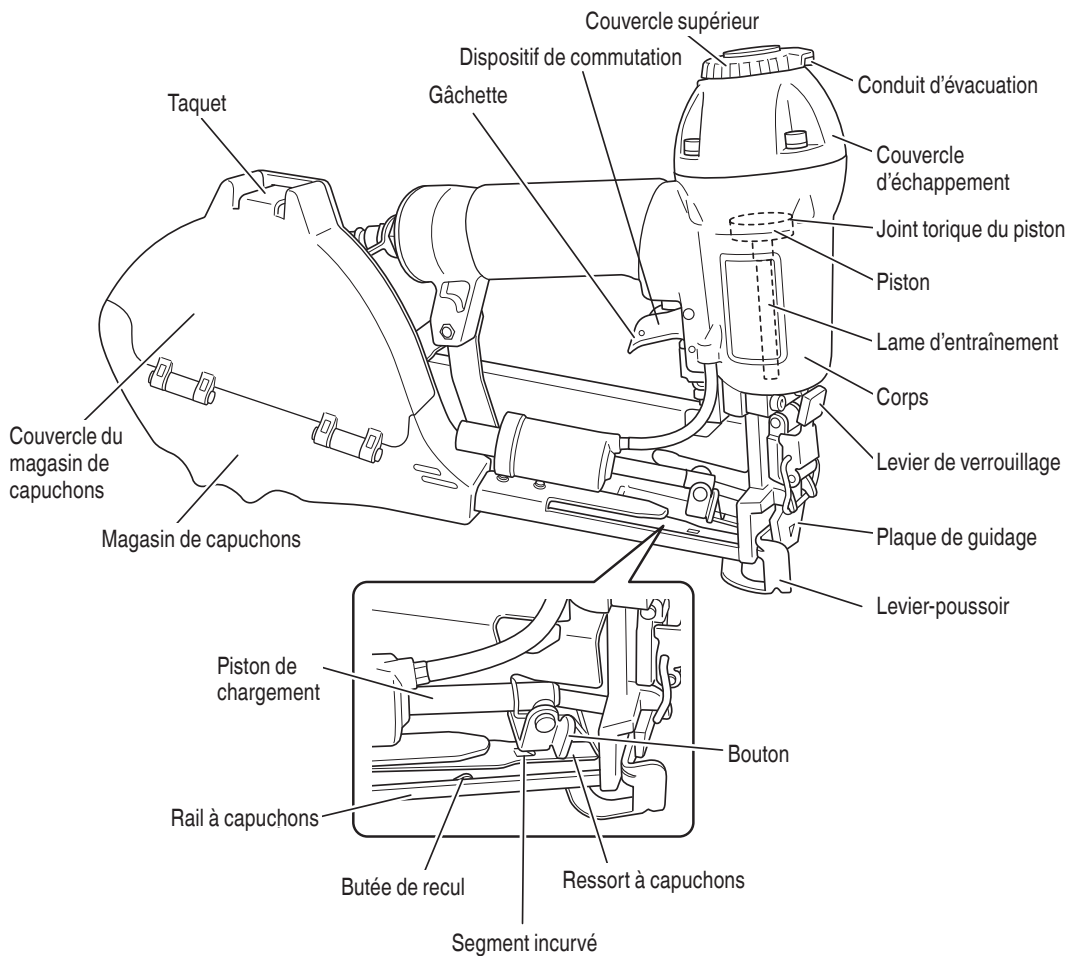
**CONSERVER CE MANUEL ET LE
METTRE À LA DISPOSITION DES
UTILISATEURS !**

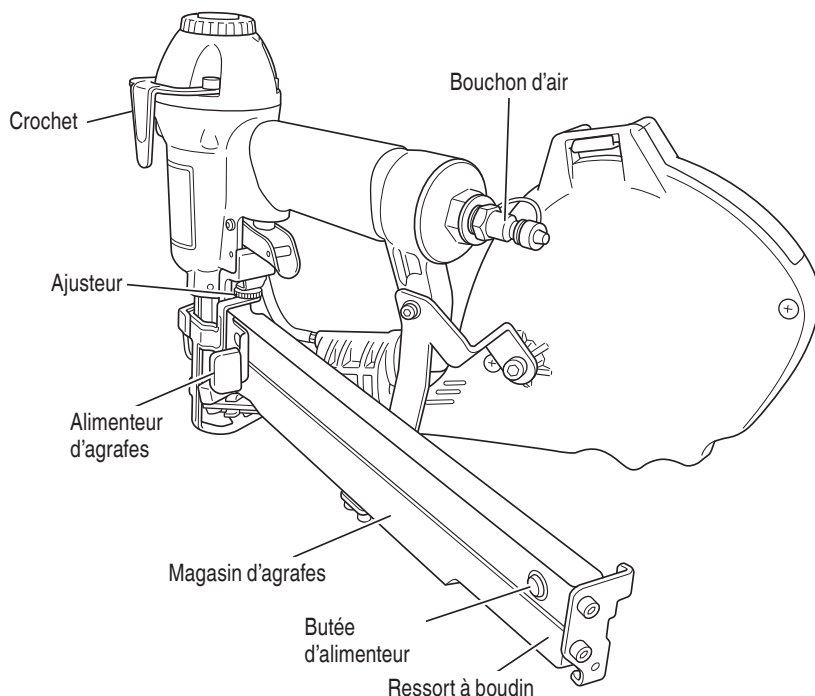
UTILISATION

REMARQUE: Les informations contenues dans ce manuel ont pour but d'aider l'opérateur à utiliser l'agrafeuse en toute sécurité.

Certaines des illustrations du manuel peuvent montrer des détails ou des accessoires qui diffèrent de ceux de votre agrafeuse.

NOM DES PIÈCES





SPÉCIFICATIONS

Pression d'utilisation	70–120 psi (4,9–8,3 bar 5–8,5 kgf/cm ²)
Dimensions Longueur x Hauteur x Largeur	14-3/32 po x 8-29/32 po x 7-13/16 po (358 mm x 226 mm x 198 mm)
Poids	4,9 lb (2,2 kg)
Capacité d'agrafes	200 agrafes (2 recharges)
Capacité de capuchons	200 capuchons (1 bobine)
Consommation d'air	.030 ft ³ /cycle à 100 psi (.85 ltr/cycle à 6,9 bar) (.85 ltr/cycle à 7 kgf/cm ²)
Entrée d'air	1/4 po NPT

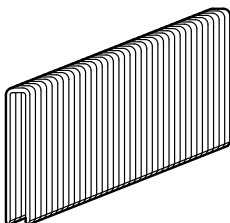
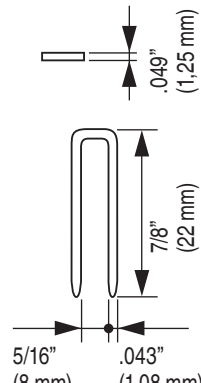

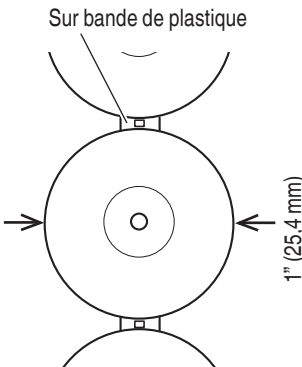
SELECTION DES AGRAFES ET DES CAPUCHONS

⚠ AVERTISSEMENT

- Bien utiliser exclusivement les agrafes et le capuchon metabo HPT d'origine avec le N3808AP. L'utilisation d'autres agrafes et d'un autre capuchon risque de provoquer un mauvais fonctionnement de l'outil et/ou une rupture des agrafes, et d'entraîner des blessures.

Seuls les agrafes et le capuchon indiqués dans le tableau ci-dessous peuvent être utilisés avec cette agrafeuse.

Dimensions des agrafes

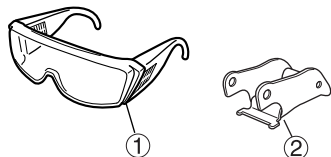
Agrafes			Capuchon
Calibre 18 Couronne 7/16"			
	Min.	Max.	Capuchon en plastique
	 <p>.049" (1,25 mm)</p> <p>7/8" (22 mm)</p> <p>5/16" (8 mm)</p> <p>.043" (1,08 mm)</p>	 <p>1-1/2" (38 mm)</p>	 <p>Sur bande de plastique</p> <p>1" (25,4 mm)</p>

ACCESSOIRES

⚠ AVERTISSEMENT

- Les accessoires autres que ceux indiqués ci-dessous risquent de mal fonctionner et de provoquer des blessures.

ACCESSOIRES STANDARDS



- ① Lunettes de protection 1
- ② Mécanisme de détente à commande par contact.... 1

ACCESSOIRES EN OPTION

... vendus séparément

- Huile de machine pneumatique
- Alimenteur d'huile .8 oz (25 cc) (Code No. 877153)
- Alimenteur d'huile 4 oz (120 cc) (Code No. 874042)
- Alimenteur d'huile 1 quart (1 l) (Code No. 876212)

REMARQUE: Les accessoires sont sujets à modification sans préavis et sans aucune obligation de la part de metabo HPT.

APPLICATIONS

- Panneau de mousse
- Membrane étanche à l'humidité/pare-air

AVANT L'UTILISATION

Lire la section intitulée "SÉCURITÉ" (pages 26–31).

Bien vérifier les points suivants avant de travailler.

ENVIRONNEMENT DE TRAVAIL

⚠ AVERTISSEMENT

- Pas de gaz ou liquides inflammables, ni aucun autre objet inflammable sur le chantier.
- Evacuer les enfants et les personnes non autorisées de l'aire de travail.

ALIMENTATION D'AIR

⚠ DANGER



- NE JAMAIS utiliser de gaz réactifs ni aucun autre gaz en bouteille. Il pourrait se produire une explosion.

⚠ AVERTISSEMENT

- Ne jamais raccorder l'agrafeuse à une pression qui risque de dépasser 200 psi (13,7 bars 14 kgf/cm²) si une défaillance du régulateur se produit.
- Ne jamais utiliser de coupleur non dégageant sur l'agrafeuse.

1. Alimentation
 - Utiliser exclusivement de l'air comprimé propre, sec et régulé avec cette agrafeuse.
 - Les compresseurs d'air utilisés pour alimenter l'air comprimé à l'agrafeuse devront respecter les exigences ANSI B19.3 "Normes de sécurité pour les compresseurs des industries de transformation".
 - L'humidité ou l'huile dans le compresseur d'air peuvent accélérer l'usure et la corrosion de l'agrafeuse. Purger tous les jours.
2. Filtre-régulateur-lubrificateur
 - Utiliser un régulateur d'une pression comprise entre 0–120 psi (0–8,3 bars 0–8,5 kgf/cm²).

- Les unités filtre-régulateur-lubrificateur procureront les conditions optimales de l'agrafeuse et accroîtront sa durée de service. Toujours les utiliser.

FiltreLe filtre enlève l'humidité et la saleté mélangées à l'air comprimé.

Purger tous les jours, sauf si l'outil possède une purge automatique.

Nettoyer régulièrement le filtre.

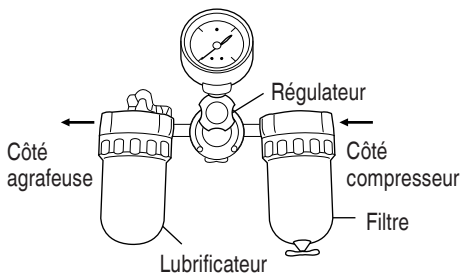
Régulateur....Le régulateur contrôle la pression de fonctionnement afin d'assurer la sécurité de l'agrafeuse.

Inspecter le régulateur avant le travail pour s'assurer qu'il fonctionne correctement.

Lubrificateur...Le lubrificateur alimente de l'huile vaporisée à l'agrafeuse.

Inspecter le lubrificateur avant le travail pour s'assurer que l'alimentation d'huile est adéquate.

Utiliser une huile de machine pneumatique metabo HPT.



3. Tuyau d'air

Les tuyaux d'alimentation d'air comprimé doivent avoir une pression de travail minimum égale ou supérieure à la pression de la source d'alimentation si une défaillance du régulateur se produit, ou égale ou supérieure à 150 psi (10,4 bar 10,6 kgf/cm²), à savoir la plus élevée.
4. Consommation d'air

Sélectionner la taille du compresseur en se reportant au tableau de consommation d'air et aux formules de taille du compresseur.

Tableau de consommation d'air

Pression de fonctionnement	psi	80	90	100
	(bar)	(5,5)	(6,2)	(6,9)
Consommation d'air	(kgf/cm ²)	(5,6)	(6,3)	(7)
	ft ³ /cycle	.024	.027	.030
	(ltr/cycle)	(.69)	(.76)	(.85)

Formules de taille du compresseur d'air

Quantité d'air requise

= nombre d'agrafes

× agrafes moyennes enfoncées par minute par l'agrafeuse

× consommation d'air à une pression donnée

× facteur de sécurité (toujours 1,2)

Exemple: 3 agrafeuses (N3808AP) fonctionnant à 100 psi et enfonçant 30 agrafes par minute

Quantité d'air requise

= $3 \times 30 \times .030 \times 1,2$

= 3,3 CFM (ft³/min) (93,5 l/min)

Effectuer le calcul ci-dessus pour obtenir un compresseur fournissant les 3,3 CFM d'air nécessaires.

GRAISSAGE

Il est essentiel que l'agrafeuse soit graissée correctement. Si l'agrafeuse est mal graissée, elle ne fonctionnera pas correctement et les pièces s'useront prématurément.

- Utiliser une huile de machine metabo HPT.

Ne pas utiliser d'huile détergente ni d'additifs. Ces lubrifiants endommageraient les joints toriques et les autres pièces en caoutchouc. Cela provoquerait un mauvais fonctionnement de l'agrafeuse.

- Toujours utiliser des unités filtre-régulateur-lubrificateur.

Veiller à ce que le régulateur soit toujours plein d'huile de machine pneumatique metabo HPT.

- Si l'on ne possède pas de lubrificateur, mettre 5 à 10 gouttes d'huile de machine pneumatique metabo HPT dans le bouchon d'air de l'agrafeuse deux fois par jour.

ENTRETIEN PAR TEMPS FROID

- Ne pas ranger l'agrafeuse dans un environnement froid.

La laisser dans un endroit chaud jusqu'à ce que l'on soit prêt à travailler.

- Si l'agrafeuse est déjà froide, l'amener dans un endroit chaud et la laisser réchauffer avant de l'utiliser.

① Réduire la pression d'air à 64 psi (4,4 bars 4,4 kgf/cm²).

② Sortir toutes les agrafes et tous les capuchons de l'agrafeuse;

③ Raccorder le tuyau d'air et faire un essai d'agrafage (agrafage à blanc).

La pression d'air inférieure sera suffisante pour l'agrafage à blanc.

Les opérations à vitesse lente ont tendance à chauffer les pièces mobiles.

⚠ ATTENTION

- Ne pas faire un essai d'agrafage à blanc à haute pression.

ESSAI DE L'AGRAFEUSE

⚠ DANGER



- Les opérateurs et les autres personnes dans l'aire de travail DOIVENT porter des lunettes de protection avec visières latérales respectant les exigences ANSI Z87.1. Les lunettes ordinaires ne fournissent pas une protection adéquate.

⚠ AVERTISSEMENT

- Ne jamais utiliser l'agrafeuse si le levier-poussoir ne fonctionne pas correctement.

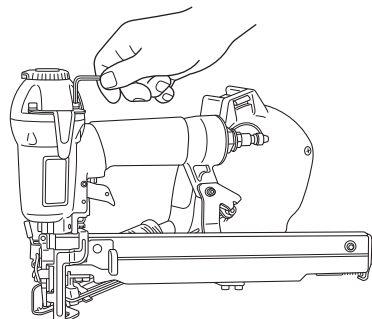
Avant de commencer le travail proprement dit, faire un essai d'agrafage en vérifiant les points ci-dessous. Effectuer les essais dans l'ordre indiqué.

S'il se produit un fonctionnement anormal, cesser immédiatement d'utiliser l'agrafeuse et contacter un service après-vente agréé metabo HPT.

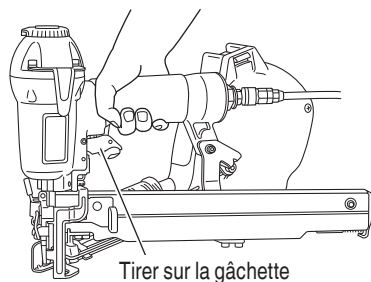
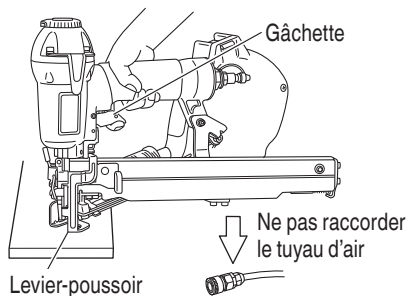
- (1) DÉBRANCHER LE TUYAU D'AIR D'AGRAFAGE. SORTIR TOUS LES AGRAFES ET CAPUCHONS DE L'AGRAFEUSE.

- TOUTES LES VIS DOIVENT ÊTRE SERRÉES À FOND.

Si certaines vis sont relâchées, les revisser.



- LE LEVIER-POUSSOIR ET LA GÂCHETTE DOIVENT FONCTIONNER AVEC SOUPLASSE.



- (2) RETIRER TOUS LES AGRAFES ET CAPUCHONS DE L'AGRAFEUSE.

Retirez le crochet s'il est fixé.

→ Lorsque le crochet est fixé, n'utilisez pas le MÉCANISME DE DÉCLENCHEMENT PAR CONTACT.

N'appuyez PAS ni ne reposez le levier-poussoir contre une surface quelconque. NE PAS FORCER OU UTILISER DE QUELCONQUES OUTILS POUR OPÉRER LE COMMUTATEUR.

- (3) Régler la pression d'air sur 70 psi (4,9 bars 5 kgf/cm²).
Raccorder le tuyau d'air.
Ne pas mettre d'agrafes ou de capuchons dans l'agrafeuse.

LE CLOUEUR NE DOIT PAS AVOIR DE FUITE D'AIR.

- (4) Retirer le doigt de la gâchette et appuyer le levier-poussoir contre la pièce.

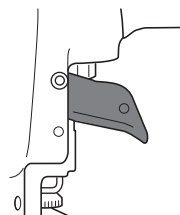
LE CLOUEUR NE DOIT PAS FONCTIONNER.

- (5) Éloigner le levier-poussoir de la pièce à usiner. Ensuite, diriger l'agrafeuse en position abaissée, tirer sur la gâchette et attendre pendant au moins 5 secondes dans cette position.

L'AGRAFEUSE NE DOIT PAS FONCTIONNER.

MÉCANISME DE DÉCLENCHEMENT PAR CONTACT

Identifié par : DÉTENTE NOIRE



- (1) Décoller l'agrafeuse de la pièce à usiner et tirer la gâchette.
Ensuite, appuyer le levier-poussoir contre la pièce à usiner.

L'AGRAFEUSE DOIT ÊTRE EN MARCHÉ.

- (2) Ensuite, appuyer le levier-poussoir contre la pièce à usiner.
Tirer la gâchette.

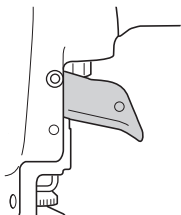
L'AGRAFEUSE DOIT ÊTRE EN MARCHÉ.

- (3) Si aucun fonctionnement anormal n'est observé, vous pouvez charger des agrafes et des capuchons dans l'agrafeuse.
Enfoncer les agrafes dans un matériau du même type que celui du travail proprement dit.

L'AGRAFEUSE DOIT FONCTIONNER CORRECTEMENT.

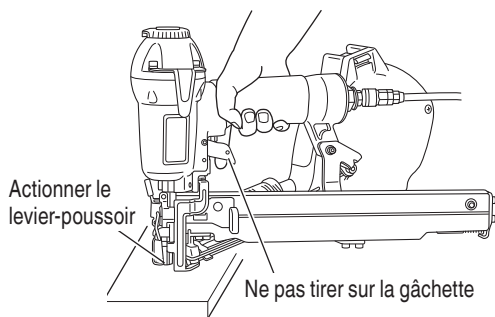
MÉCANISME DE DÉCLENCHEMENT SÉQUENTIEL UNIQUE

Identifié par : DÉTENTE ROUGE



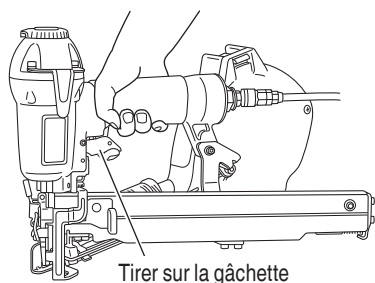
- (1) Retirer le doigt de la gâchette et appuyer le levier-poussoir contre la pièce à usiner.

L'AGRAFEUSE NE DOIT PAS FONCTIONNER.



- (2) Éloigner le levier-poussoir de la pièce à usiner. Ensuite, diriger l'agrafeuse en position abaissée, tirer sur la gâchette et attendre pendant au moins 5 secondes dans cette position.

L'AGRAFEUSE NE DOIT PAS FONCTIONNER.



- (3) Commencer par tirer sur la gâchette. Ensuite, appuyer le levier-poussoir contre la pièce à usiner.

L'AGRAFEUSE NE DOIT PAS FONCTIONNER.

- (4) Sans toucher la gâchette, appuyer le levier-poussoir contre la pièce à usiner. Ensuite, tirer sur la gâchette.

L'AGRAFEUSE DOIT FONCTIONNER.

- (5) Si aucun fonctionnement anormal n'est observé, vous pouvez charger des agrafes et des capuchons dans l'agrafeuse.

Enfoncer les agrafes dans un matériau du même type que celui du travail proprement dit.

L'AGRAFEUSE DOIT FONCTIONNER CORRECTEMENT.

RÉGLAGE DE LA PRESSIION D'AIR

⚠ AVERTISSEMENT



- Ne pas dépasser 120 psi (8,3 bars 8,5 kgf/cm²)

Régler la pression d'air à la pression de travail recommandée de 70–120 psi (4,9–8,3 bars 5–8,5 kgf/cm²) en fonction de la longueur des agrafes et de la dureté du matériau.

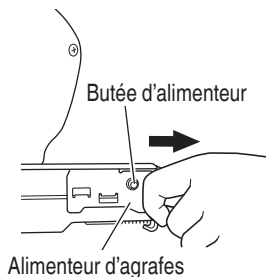
La pression d'air correcte est la pression la plus basse capable d'effectuer le travail. L'utilisation d'une pression d'air supérieure à la pression nécessaire fatiguera inutilement l'agrafeuse.

CHARGEMENT DES AGRAFES

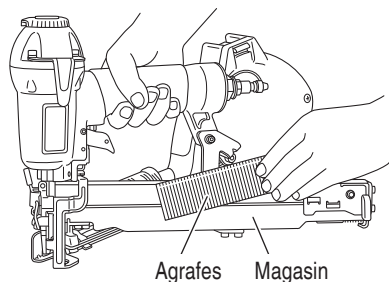
⚠ AVERTISSEMENT

- Lors du chargement des agrafes dans l'agrafeuse,
 - 1) ne pas tirer sur la gâchette;
 - 2) ne pas actionner le levier-poussoir;
 - 3) débrancher le tuyau d'air d'agrafage; et
 - 4) diriger l'agrafeuse vers le bas.

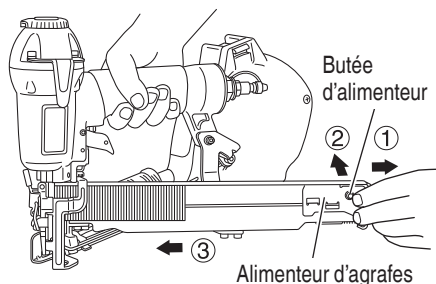
- (1) Tirer l'alimenteur d'agrafes vers l'arrière, et vérifier que la butée d'alimenteur solidement rentrée dans l'orifice pour la butée de l'alimenteur d'agrafes.



- (2) Placer la bande d'agrafes sur le magasin. Vérifier que la bande d'agrafes glisse en douceur sur le magasin.



- (3) Tirer l'alimenteur d'agrafes légèrement vers l'arrière, puis appuyer sur la butée d'alimenteur. Pousser l'alimenteur d'agrafes vers l'avant. Placer délicatement l'alimenteur d'agrafes à l'arrière des agrafes chargées.



L'agrafeuse est maintenant prête à fonctionner.

⚠ ATTENTION

Si l'on relâche l'alimenteur d'agrafes subitement, il risque de revenir brusquement, ce qui pourrait déformer et/ou éparpiller les agrafes, et qui finirait par coincer les agrafes.

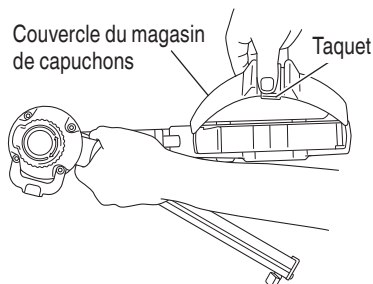
Bien ramener l'alimenteur d'agrafes en arrière en évitant absolument tout impact.

CHARGEMENT DES CAPUCHONS

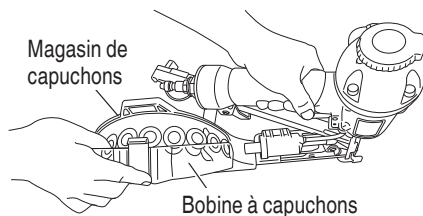
⚠ AVERTISSEMENT

- Lors du chargement des agrafes dans l'agrafeuse,
 - 1) ne pas tirer sur la gâchette;
 - 2) ne pas actionner le levier-poussoir;
 - 3) débrancher le tuyau d'air d'agrafage;
 - 4) diriger l'agrafeuse vers le bas.

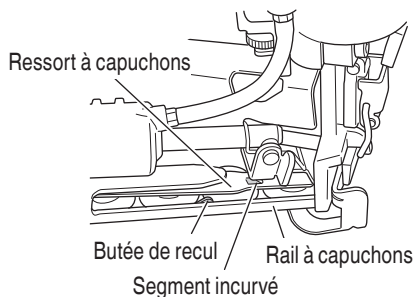
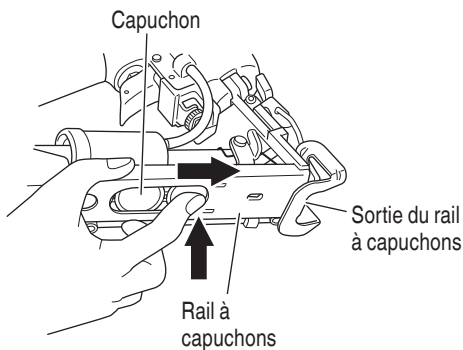
- (1) Presser le taquet du couvercle de magasin de capuchons avec les doigts et ouvrir le couvercle.



- (2) Dérouler quelques capuchons de la bobine, puis insérer la bobine à capuchons dans le magasin de capuchons.

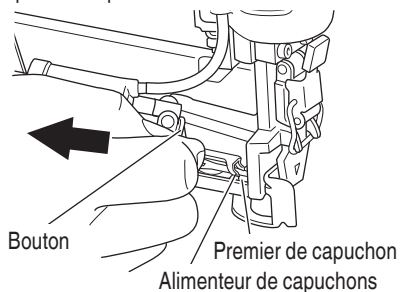


- (3) Pousser le ressort à capuchons vers le haut et guider le capuchon à l'intérieur du rail à capuchons. Placer le deuxième capuchon sur la butée de recul.



Tirer dans le sens inverse et vérifier que l'installation est terminée.

- (4) Fermer le couvercle du magasin de capuchons. Tirer le bouton dans la direction de la flèche pour faire reculer l'alimenteur de capuchons et acheminer le premier capuchon vers la sortie.

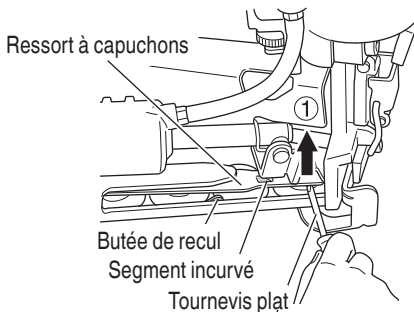


RETRAIT DES CAPUCHONS

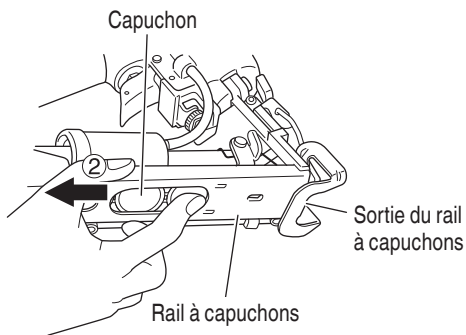
⚠ AVERTISSEMENT

- Retirer le tuyau d'air
- Retirer les agrafes

- (1) Pousser délicatement vers le haut le ressort à capuchons. (①)
(Utiliser un tournevis plat ou un outil similaire.)



- (2) Tout en retirant le segment incurvé du ressort à capuchons du capuchon, pousser le capuchon vers le magasin de capuchons en évitant de toucher la butée de recul du rail à capuchons. (②)



REMARQUE:

- Ne pas pousser trop fort sur le ressort à capuchons, car un ressort à capuchons déformé affectera négativement la performance de propulsion du capuchon.
- Si la sortie du rail à capuchons est obstruée, découper l'excès de capuchon.

UTILISATION DE L'AGRAFEUSE

Lire la section intitulée "SÉCURITÉ" (pages 26–31).

⚠ DANGER



- Les opérateurs et les autres personnes dans l'aire de travail DOIVENT porter des lunettes de protection avec visières latérales respectant les exigences ANSI Z87.1. Les lunettes ordinaires ne fournissent pas une protection adéquate.

⚠ AVERTISSEMENT



- Seules les personnes qui ont lu et compris ce MANUEL doivent utiliser l'agrafeuse.
 - NE JAMAIS diriger l'outil vers soi ni vers quelqu'un d'autre dans l'aire de travail.
 - Maintenir les doigts ÉLOIGNÉS de la gâchette quand on n'enfoncé pas d'agrafes pour éviter un agrafage accidentel.
 - Connaître et comprendre le système de gâchette utilisé. Lire et bien assimiler les "MÉTHODES D'UTILISATION" ci-dessous.
 - Inspecter l'agrafeuse avant utilisation pour déterminer le système de déclenchement. Avant de commencer le travail, vérifier le dispositif de commutation de l'opération d'agrafage. Cette agrafeuse metabo HPT comprend un dispositif de commutation de l'opération d'agrafage. Avant de commencer le travail, vérifier que le dispositif de commutation est réglé correctement. Si le dispositif de commutation n'est pas réglé correctement, l'agrafeuse ne fonctionnera pas correctement.
 - Ne jamais approcher les mains ni les pieds à moins de 8 pouces (200 mm) de la tête d'agrafage lors de l'utilisation.
 - Ne pas enfoncer d'agrafes sur d'autres agrafes; les agrafes pourraient ricocher et blesser quelqu'un.
 - Ne pas actionner l'agrafeuse à moins qu'il ne soit placé fermement contre la pièce de travail.
- Pour éviter tout risque de déclenchement double ou toute éjection inadvertante d'une agrafe dû à un bondissement de l'agrafeuse.
 - 1) ne pas appuyer l'agrafeuse trop fort contre la pièce ;
 - 2) éloigner complètement l'agrafeuse de la pièce avec le rappel ;
 - 3) relâcher la gâchette rapidement lorsqu'on effectue un clouage par gâchette.
 - Quand on travaille près du bord d'une pièce ou à un angle prononcé, ou quand on enfonce des agrafes dans une pièce fine, prendre soin de minimiser le déchetage, le fractionnement, l'éclatement, le vol libre, le ricochet ou le perçage des agrafes, pouvant provoquer des blessures.
 - Ne jamais enfoncer d'agrafes des deux côtés d'un mur en même temps. Les agrafes pourraient traverser le mur et blesser quelqu'un de l'autre côté.
 - Ne jamais utiliser l'agrafeuse si elle est défectueuse ou qu'elle ne fonctionne pas normalement.
 - Ne pas se servir de l'agrafeuse comme d'un marteau.
 - Débrancher le tuyau d'air de l'agrafeuse quand:
 - 1) on ne s'en sert pas;
 - 2) on quitte l'aire de travail;
 - 3) on le soulève ou l'abaisse, ou on le déplace dans un autre endroit;
 - 4) on le passe à quelqu'un d'autre;
 - 5) on remplace le dispositif de commutation;
 - 6) on effectue tout entretien ou réparation ;
 - 7) on retire les agrafes bloquées;
 - 8) l'agrafeuse n'est pas sous la supervision ou le contrôle de l'opérateur;
 - 9) on retire les agrafes et les capuchons du chargeur;
 - 10) on règle la profondeur d'agrafage;
 - 11) on tourne le capot supérieur; et
 - 12) Lors de l'accrochage du crochet

Deux types d'opération sont proposés sur cette agrafeuse pour enfoncer des agrafes.

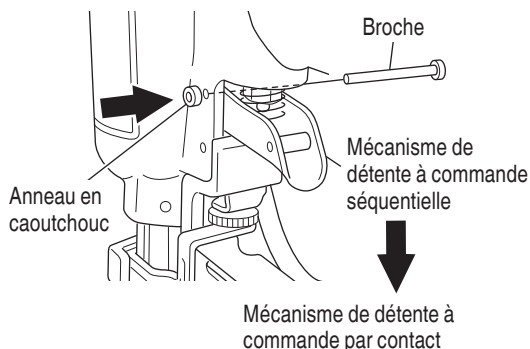
Utiliser le MÉCANISME DE DÉCLENCHEMENT PAR CONTACT ou le MÉCANISME DE DÉCLENCHEMENT SÉQUENTIEL UNIQUE en fonction du travail à effectuer.

Explication des diverses opérations d'agrafage

- **MÉCANISME DE DÉCLENCHEMENT PAR CONTACT:** Appuyer tout d'abord le levier-poussoir contre la pièce à usiner, puis tirer sur la gâchette pour enfoncer l'agrafe. Ou, tirer sur la gâchette, puis appuyer le levier-poussoir contre la pièce à usiner pour enfoncer l'agrafe. Si la gâchette est maintenue tirée, une agrafe s'enfonce chaque fois que le levier-poussoir est appuyé contre la pièce à usiner.

N3808AP est expédié avec le **MÉCANISME DE COMMANDE SÉQUENTIELLE**.

Remplacer le **MÉCANISME DE COMMANDE SÉQUENTIELLE** par le **MÉCANISME DE COMMANDE PAR CONTACT** pour utiliser la **COMMANDE PAR CONTACT**.



- **MÉCANISME DE DÉCLENCHEMENT SÉQUENTIEL UNIQUE :** Appuyer tout d'abord le levier-poussoir contre la pièce à usiner, puis tirer sur la gâchette pour enfoncer l'agrafe. Quand une agrafe est enfoncée, il n'est plus possible d'enfoncer une autre agrafe jusqu'à ce que la gâchette soit relâchée et appuyée à nouveau.

MÉTHODES D'UTILISATION

L'agrafeuse est équipée d'un levier-poussoir et elle ne fonctionne pas tant que le levier-poussoir n'est pas enfoncé (position supérieure).

Il y a trois façons d'enfoncer des agrafes avec l'agrafeuse.

Ces trois méthodes sont:

1. Fonctionnement intermittent (déclenchement par gâchette):
MÉCANISME DE DÉCLENCHEMENT PAR CONTACT, MÉCANISME DE DÉCLENCHEMENT SÉQUENTIEL UNIQUE.

2. Fonctionnement continu (déclenchement par levier-poussoir):
MÉCANISME DE DÉCLENCHEMENT PAR CONTACT.
3. Fonctionnement à séquence unique (déclenchement par gâchette):
MÉCANISME DE DÉCLENCHEMENT SÉQUENTIEL UNIQUE.

- (1) Fonctionnement intermittent (déclenchement par gâchette)

Il est recommandé d'utiliser le **MÉCANISME DE DÉCLENCHEMENT SÉQUENTIEL UNIQUE**

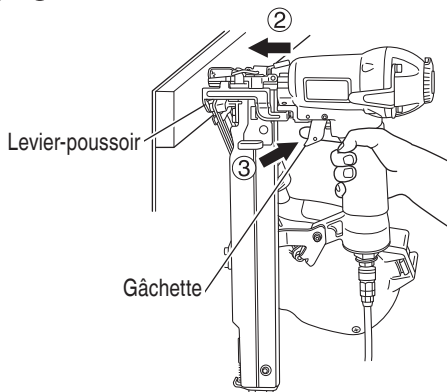
⚠ AVERTISSEMENT

- **Pour éviter tout déclenchement double ou tout déclenchement accidentel du fait d'un rappel :**

- 1) Tirer sur la gâchette rapidement et fermement.

- ① Placer l'orifice de sortie des agrafes sur la pièce en enlevant le doigt de la gâchette.
- ② Actionner fermement le levier-poussoir jusqu'à ce qu'il soit complètement enfoncé.
- ③ Tirer sur la gâchette pour enfoncer une agrafe.
- ④ Retirer le doigt de la gâchette.

Pour enfoncer une agrafe ailleurs, déplacer l'agrafeuse sur la pièce et répéter les étapes ① – ④ suivant les besoins.



⚠ AVERTISSEMENT

- Une agrafe sera libérée chaque fois que la détente sera enfoncée, en autant que le levier-poussoir demeure enfoncé.

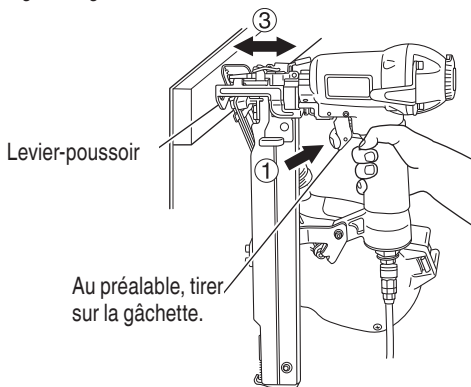
- (2) Fonctionnement continu (déclenchement par levier-poussoir)
Utilisation du MÉCANISME DE DÉCLENCHEMENT PAR CONTACT

⚠ AVERTISSEMENT

- Pour éviter tout déclenchement double ou tout déclenchement accidentel du fait d'un rappel.
 - 1) Ne pas appuyer trop fort l'agrafeuse contre la pièce à usiner.
 - 2) Éloigner l'agrafeuse de la pièce à usiner, car elle effectue un rappel après l'agrafage.
- Si le crochet est accroché, n'utilisez pas le MÉCANISME DE DÉCLENCHEMENT PAR CONTACT.

- ① Sans que l'agrafeuse ne touche la pièce à usiner, presser la gâchette.
 - ② Actionner le levier-poussoir contre la pièce pour enfoncer une agrafe.
 - ③ Déplacer l'agrafeuse le long de la pièce en lui faisant faire des bonds.
- Chaque pression du levier-poussoir enfonce une agrafe.

Dès que le nombre d'agrafes voulu est enfoncé, retirer le doigt de la gâchette.



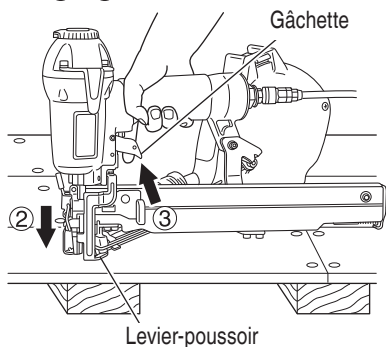
- (3) Fonctionnement à séquence unique (déclenchement par gâchette)

⚠ AVERTISSEMENT

- Pour éviter tout déclenchement double ou tout déclenchement accidentel du fait d'un rappel:
 - 1) Tirer sur la gâchette rapidement et fermement.

- ① Placer l'orifice de sortie des agrafes sur la pièce en enlevant le doigt de la gâchette.
- ② Actionner fermement le levier-poussoir jusqu'à ce qu'il soit complètement enfoncé.
- ③ Tirer sur la gâchette pour enfoncer une agrafe.
- ④ Retirer le doigt de la gâchette.

Pour continuer à agraffer à un autre endroit, déplacer l'agrafeuse le long de la pièce en recommençant les opérations ① à ④ selon les besoins.



⚠ AVERTISSEMENT

- Ne pas mettre le doigt sur la gâchette sauf pendant une opération de agrafage, car un contact accidentel du levier-poussoir sur l'opérateur ou sur les personnes alentour pourrait entraîner des blessures graves.
- Ne pas approcher les mains ni le corps de la section de sortie des agrafes. L'agrafeuse avec mécanisme de déclenchement par contact risque de faire un bond après avoir enfoncé une agrafe, ce qui pourrait enfoncer une autre agrafe et provoquer des blessures.
- Certains types d'agrafes chargées peuvent s'éjecter de la buse pendant une opération d'agrafage.

LE MÉCANISME DE DÉCLENCHEMENT SÉQUENTIEL UNIQUE est utilisé lorsqu'un placement précis des attaches est nécessaire.

Le MÉCANISME DE DÉCLENCHEMENT SÉQUENTIEL UNIQUE peut réduire les risques de blessures physiques pour l'opérateur et les autres personnes présentes sur l'aire de travail par rapport au MÉCANISME DE DÉCLENCHEMENT PAR CONTACT. **En effet, il risque moins d'enfoncer accidentellement une agrafe si l'on garde le doigt sur la gâchette et qu'on appuie accidentellement le levier-poussoir contre soi ou contre une autre personne.**

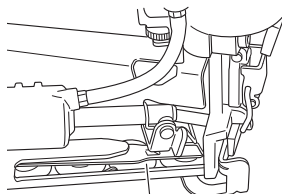
Le MÉCANISME DE DÉCLENCHEMENT SÉQUENTIEL UNIQUE peut également réduire la vitesse de fonctionnement par rapport au MÉCANISME DE DÉCLENCHEMENT PAR CONTACT. Il est conseillé aux opérateurs débutants d'utiliser LE MÉCANISME DE DÉCLENCHEMENT SÉQUENTIEL UNIQUE.

REMARQUE:

- Si tous les investissements et toutes les instructions sont respectés, le fonctionnement s'effectuera sans danger avec les deux systèmes : MÉCANISME DE DÉCLENCHEMENT PAR CONTACT et MÉCANISME DE DÉCLENCHEMENT SÉQUENTIEL UNIQUE.
- Toujours manier les agrafes et le paquet avec précaution. Si les agrafes tombent, le liant d'assemblage risque de se rompre, ce qui provoquera des erreurs d'alimentation et des bourrages.
- Après l'agrafage :
 - 1) débrancher le tuyau d'air de l'agrafeuse ;
 - 2) sortir toutes les agrafes et tous les capuchons de l'agrafeuse ;
 - 3) mettre 5 ou 10 gouttes d'huile de machine pneumatique metabo HPT dans le bouchon d'air de l'agrafeuse ; et
 - 4) ouvrir le robinet de purge du réservoir du compresseur d'air pour purger toute l'humidité.

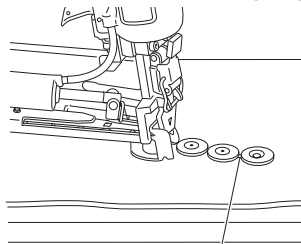
Voici des exemples d'alimentation fautive de capuchon et de mesures correctives.

1. Sectionnement en cours de connexion



Capuchon

- Remède.
 - ① DÉBRANCHER LE TUYAU D'AIR.
 - ② Retirer le capuchon avec le doigt ou un autre instrument.
 - ③ Confirmer que la position du capuchon est adéquate. Sinon, ajuster la position du capuchon. (Voir Chargement des capuchons à la page 39.)
- 2. Mauvais sectionnement pendant l'agrafage



Mauvais sectionnement

- Remède.
 - ① DÉBRANCHER LE TUYAU D'AIR.
 - ② Retirer le capuchon avec le doigt ou un autre instrument.
 - ③ Confirmer que la position du capuchon est adéquate. Sinon, ajuster la position du capuchon. (Voir Chargement des capuchons à la page 39.)

RÉGLAGE DE LA PROFONDEUR D'AGRAFAGE

⚠ AVERTISSEMENT

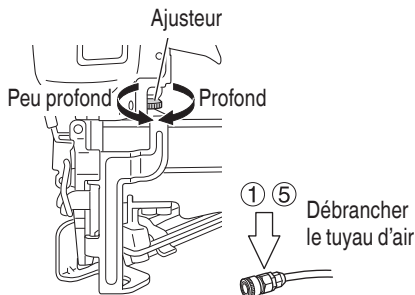
- **Débrancher le tuyau d'air de l'agrafeuse avant de tourner l'ajusteur.**

Pour que les agrafes s'enfoncent toutes à la même profondeur, s'assurer que:

- 1) la pression d'air de l'agrafeuse reste constante (le régulateur est installé et fonctionne normalement), et
- 2) l'agrafeuse est toujours maintenue fermement contre la pièce.

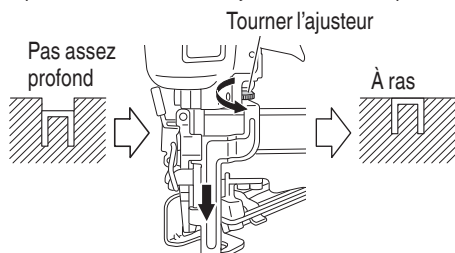
Si les agrafes sont enfoncées trop loin ou pas assez dans la pièce, régler l'agrafage dans l'ordre suivant.

① DÉBRANCHER LE TUYAU D'AIR DE L'AGRAFEUSE.



② Si les agrafes s'enfoncent trop profondément, tourner l'ajusteur sur le côté peu profond.

Si les agrafes ne s'enfoncent pas assez profondément, tourner l'ajusteur sur le côté profond.



③ Lorsqu'un agrafage d'essai révèle que la bonne position est atteinte, cesser de tourner l'ajusteur.

④ Brancher le tuyau d'air.
TOUJOURS PORTER DES LUNETTES DE PROTECTION.

Effectuer un essai d'agrafage.

⑤ DÉBRANCHER LE TUYAU D'AIR DE L'AGRAFEUSE.

⑥ Sélectionner la position de l'ajusteur qui convient.

REMARQUE:

- En raison de facteurs comme la dureté du matériau ou le type d'agrafe, il se peut que les agrafes ne s'enfoncent pas assez profondément si l'on recourt à la haute pression avec l'ajusteur vers le haut (côté peu profond).

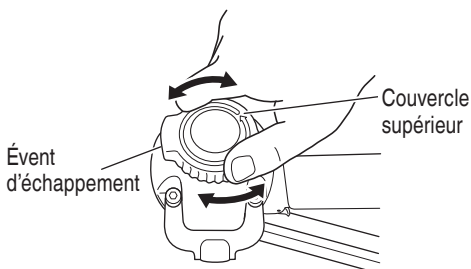
Dans un tel cas, réduire la pression et abaisser l'ajusteur pour que l'agrafe pénètre dans la position voulue.

CHANGEMENT DU SENS D'ÉCHAPPEMENT

⚠ AVERTISSEMENT

- Débrancher le tuyau d'air de l'agrafeuse avant de tourner le couvercle supérieur.

Il est possible de changer le sens de l'évent d'échappement en tournant le couvercle supérieur.

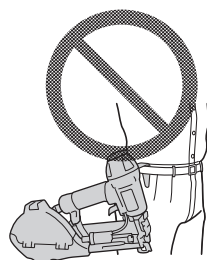


CROCHET

Avec le N3808AP, un crochet inclus peut être fixé au moyen de boulons M5 inclus avec l'outil. Lorsque l'outil est retiré du tuyau et pas utilisé, le crochet peut être utilisé pour ranger l'appareil.

⚠ AVERTISSEMENT

- Lors de la fixation ou du retrait du crochet, communiquez avec le service après-vente metabo HPT agréé.
- Lorsque le crochet est fixé, faites fonctionner l'outil uniquement avec le MÉCANISME DE DÉCLENCHEMENT SÉQUENTIEL UNIQUE et pas avec le MÉCANISME DE DÉCLENCHEMENT PAR CONTACT. Pour commuter entre le DÉCLENCHEMENT SÉQUENTIEL UNIQUE et le DÉCLENCHEMENT PAR CONTACT, voir la section pertinente dans "UTILISATION DE L'AGRAFEUSE".
- Déconnectez le tuyau d'air lors de l'accrochage de l'appareil.
- N'accrochez pas le crochet sur des emplacements élevés ou instables. De plus, ne l'accrochez pas au corps, aux vêtements, à une ceinture ou à d'autres articles personnels.



ENTRETIEN

REMARQUE:

Les informations contenues dans ce manuel ont pour but d'aider l'opérateur à utiliser l'agrafeuse en toute sécurité.

Certaines des illustrations du manuel peuvent montrer des détails ou des accessoires qui diffèrent de ceux de votre agrafeuse.

ENTRETIEN ET INSPECTION

Lire la section intitulée "SÉCURITÉ" (pages 26–31).

⚠ AVERTISSEMENT

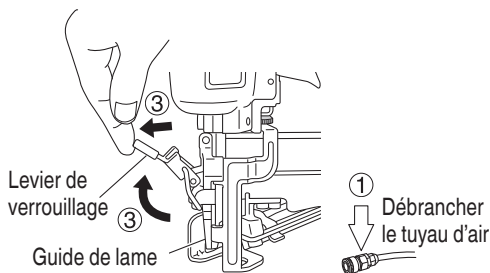
- **Débrancher le tuyau d'air et sortir toutes les agrafes de l'agrafeuse quand :**

- 1) **on entretient ou on inspecte l'agrafeuse ; et**
- 2) **on retire des agrafes coincées.**

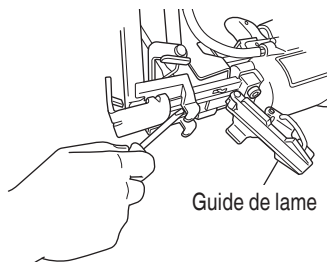
1. Dégagement des agrafes coincées

Pour dégager une agrafe coincée, procéder comme suit :

- ① Débrancher le tuyau d'air.
- ② Retirer toutes les agrafes et tous les capuchons.
- ③ Libérer le levier de verrouillage et ouvrir la plaque de guidage.



- ④ Retirer l'agrafe coincée avec un tournevis pour écrou à fente.



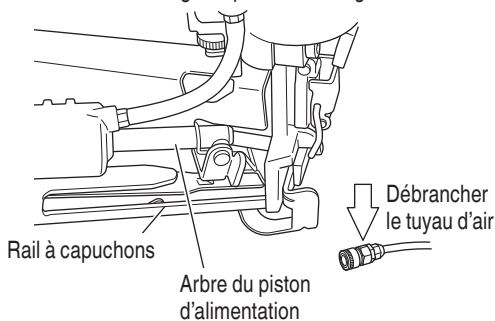
- ⑤ Refermer la plaque de guidage et le taquet.

- ⑥ Si les agrafes se coincent fréquemment, contacter un service après-vente metabo HPT agréé.

2. Inspection des chargeurs

(Ensemble alimenteur de capuchons)

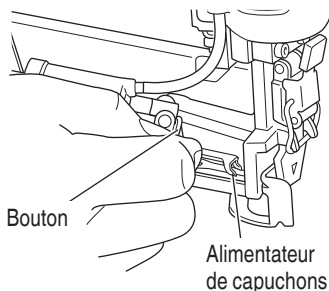
- ① DÉBRANCHER LE TUYAU D'AIR.
- ② Nettoyer la tige du piston de chargement et le rail à capuchons.
Lubrifier la tige du piston de chargement.



⚠ PRÉCAUTION

- **Tirer le bouton d'alimenteur de capuchons et de l'alimenteur d'agrafes pour voir s'il bouge avec aisance.**

S'il y a des à-coups, la sortie du capuchon et de l'agrafe sera décalée et la finition de l'agrafage médiocre.



3. Inspection du magasin et du magasin de capuchons
 - ① DEBRANCHER LE TUYAU D'AIR.
 - ② Nettoyer le magasin et le magasin de capuchons. Ôter la poussière ou les particules de bois qui peuvent s'être accumulées dans le magasin et le magasin de capuchons.

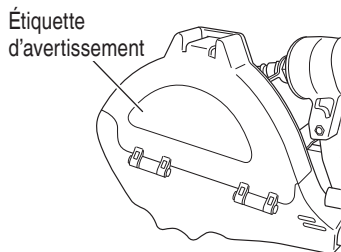
4. Remisage

- Si l'on ne se sert pas de l'agrafeuse pendant un certain temps, enduire les pièces en acier d'une mince couche de graisse pour éviter toute corrosion.
- Ne pas remiser l'agrafeuse dans un environnement froid. La laisser dans un endroit chaud.
- Lorsqu'on ne se sert pas de l'agrafeuse, la remiser dans un endroit chaud et sec.

La ranger hors de portée des enfants.

5. ÉTIQUETTE D'AVERTISSEMENT

Ne pas utiliser l'agrafeuse si l'ÉTIQUETTE D'AVERTISSEMENT manque ou est endommagée. Se procurer une nouvelle ÉTIQUETTE D'AVERTISSEMENT auprès d'un service après-vente metabo HPT agréé.



6. Tableau d'entretien (voir page 48)
7. Guide de dépannage de l'opérateur (voir page 48)
8. Liste des pièces de rechange

⚠ ATTENTION

- **Les réparations, modifications et inspections des outils électriques metabo HPT doivent être confiées à un service après-vente metabo HPT agréé.**

Il sera utile de présenter cette liste de pièces au service après-vente metabo HPT agréé lorsqu'on apporte un outil nécessitant des réparations ou tout autre entretien.

Lors de l'utilisation et de l'entretien d'un outil électrique, respecter les règlements et les normes de sécurité en vigueur dans le pays en question.

MODIFICATIONS:

Les outils électriques metabo HPT sont constamment améliorés et modifiés afin d'incorporer les tous derniers progrès technologiques.

En conséquence, il est possible que certaines pièces (c.-à-d. no. de code et/ou dessin) soient modifiées sans avis préalable.

ENTRETIEN ET RÉPARATIONS

⚠ AVERTISSEMENT

- **Les réparations de l'agrafeuse seront confiées exclusivement au personnel d'entretien formé par metabo HPT, au distributeur ou à l'employeur.**
- **Pour les réparations, utiliser exclusivement des pièces fournies ou recommandées par metabo HPT.**

Du fait de l'usure normale, les agrafeuses de qualité finissent toujours par avoir besoin d'un entretien ou d'un remplacement de pièce.

REMARQUE:

Les spécifications sont sujettes à modification sans préavis et sans aucune obligation de la part de metabo HPT.

Tableau d'entretien

ACTION	POURQUOI	COMMENT
Purger le filtre de la ligne d'air tous les jours.	Eviter l'accumulation d'humidité et de poussière.	Ouvrir le robinet de purge manuel.
Veiller à ce que le lubrificateur soit toujours plein.	Maintenir l'agrafeuse bien graissée.	Remplir d'huile de machine pneumatique metabo HPT.
Nettoyer l'élément du filtre et souffler de l'air à travers le filtre dans le sens opposé au flux normal tous les jours.	Eviter le colmatage du filtre par la saleté.	Suivre les instructions du fabricant.
Nettoyer les magasins et les alimenteurs d'agrafes et de capuchons.	Eviter que les agrafes ne se coincent.	Nettoyer en soufflant de l'air tous les jours.
Veiller à ce que le levier-poussoir fonctionne toujours correctement.	Assurer la sécurité de l'opérateur et un fonctionnement efficace de l'agrafeuse.	Nettoyer en soufflant de l'air tous les jours
Graisser l'agrafeuse après l'utilisation.	Rallonger la durée de service de l'agrafeuse.	Mettre 5 ou 10 gouttes de graisse dans l'agrafeuse.
Purger le compresseur d'air tous les jours.	Maintenir l'agrafeuse en bon état de marche.	Ouvrir le robinet de purge du réservoir du compresseur d'air.

Guide de dépannage de l'opérateur

En suivant le tableau ci-dessous, la plupart des problèmes mineurs pourront être corrigés rapidement et en toute facilité.

Si le problème persiste, contacter un service après-vente metabo HPT agréé.

PROBLÈME	VÉRIFICATION	CORRECTION
L'agrafeuse fonctionne, mais les agrafes et les capuchons ne s'enfoncent pas.	Vérifier si une agrafe est coincée.	Dégager l'agrafe coincée (page 46).
	Ouvrir le couvercle du magasin de capuchons. Vérifier si le capuchon est chargé correctement.	Recharger le capuchon comme il faut.
	L'alimenteur d'agrafes est-il endommagé ?	Remonter l'alimenteur d'agrafes.
	Le ressort à ruban est-il distendu ou endommagé ?	Remplacer le ressort à ruban.
	Le ressort à capuchons est-il distendu ou endommagé?	Remplacer le ressort à capuchon.
	Vérifier que les agrafes et les capuchons sont appropriés.	Utiliser uniquement les agrafes et les capuchons recommandés.

PROBLÈME	VÉRIFICATION	CORRECTION
Entraînement faible. Cycle lent.	Vérifier la pression d'air.	Augmenter la pression d'air. (Ne pas dépasser 120 psi (8,3 bar 8,5 kgf/cm ²))
	Vérifier la position du dispositif de réglage de profondeur d'agrafage.	Refaire le réglage selon les indications de la page 44.
	_____	Utiliser une huile de machine pneumatique metabo HPT.
	Le lame d'entraînement est-elle usée ?	Contacter metabo HPT pour le remplacement.
	Le joint torique du piston est-il usé ou endommagé ?	
Le piston de chargement est-il usé ou endommagé ?		
Les agrafes s'enfoncent trop profondément.	Vérifier la pression d'air.	Réduire la pression d'air. (Régler sur 70–120 psi)
	Vérifier la position du dispositif de réglage de profondeur d'agrafage.	Refaire le réglage selon les indications de la page 44.
Certaines agrafes et certains capuchons ont sautés. Alimentation intermittente.	Vérifier que les agrafes et les capuchons sont appropriés.	Utiliser uniquement les agrafes et les capuchons recommandés.
	Vérifier si le capuchon est chargé correctement.	Recharger le capuchon comme il faut.
	L'alimenteur d'agrafes est-il endommagé ?	Nettoyer et graisser.
	Vérifier le bon piston de chargement.	Remplacer le ressort ou le joint torique.
	Le ressort à ruban est-il distendu ou endommagé ?	Replacer le ressort à ruban.
	Le ressort à capuchons est-il distendu ou endommagé ?	Remplacer le ressort à capuchon.
	Le joint torique du piston est-il usé ou endommagé ?	Contacter metabo HPT pour le remplacement.
Des agrafes se coincent. Les agrafes enfoncées sont tordues.	Vérifier si l'on utilise les bonnes agrafes.	Utiliser uniquement les agrafes recommandées.
	La lame d'entraînement est-elle usée ?	Contacter metabo HPT pour le remplacement.
	L'alimenteur d'agrafes est-il endommagé ?	Nettoyer et graisser.
Les agrafes s'enfoncent bien normalement, mais pas complètement à des vitesses supérieures.	Vérifier le diamètre intérieur du tuyau d'air.	Utiliser un tuyau d'air plus large.

INFORMACIÓN DE SEGURIDAD IMPORTANTE



Lea y comprenda el significado de las etiquetas de la herramienta y todas las instrucciones de funcionamiento, las precauciones de seguridad y las advertencias de este manual antes de realizar la operación o el mantenimiento de esta grapadora.

La negligencia en la observación de las advertencias puede producir la MUERTE o LESIONES DE GRAVEDAD.

La mayoría de los accidentes ocurridos al utilizar o mantener esta grapadora se deben a la falta de tener en cuenta las normas de seguridad y precauciones básicas. Los accidentes podrán evitarse en muchos casos dándose cuenta de una situación peligrosa antes de que se produzca, y observando fielmente los procedimientos de seguridad apropiados.

Las precauciones básicas de seguridad se describen en la sección “SEGURIDAD” de este manual, y en las secciones que contienen las instrucciones sobre operación y mantenimiento.

Los riesgos que habrá que eludir para evitar lesiones o el daño de la máquina se identifican mediante “PELIGRO” y “ADVERTENCIA” en la grapadora y en este manual.

NO utilice **NUNCA** esta grapadora para aplicaciones que no sean las especificadas en este manual.

DEFINICIÓN DE LAS PALABRAS CLAVE

PELIGRO indica una situación inminentemente peligrosa que, si no se evita, puede resultar en lesiones serias o en la muerte.

ADVERTENCIA indica una situación potencialmente peligrosa que, si no se evita, puede resultar en lesiones serias o en la muerte.

PRECAUCIÓN indica una situación potencialmente peligrosa que, si no se evita, puede resultar en lesiones menores, o en el daño de la máquina.

NOTA enfatiza información esencial.

EXPLICACIÓN LA ACCIÓN DE GRAPADO DE LA GRAPADORA metabo HPT

- **MECANISMO DE ACTUACIÓN SECUENCIAL SIMPLE:**
En primer lugar, presione la palanca de empuje contra la pieza de trabajo y, a continuación, jale el gatillo para introducir el sujetador.
Cuando se haya grapado una vez, no se podrá volver a grapar hasta que se suelte el gatillo y vuelva a presionarse.
- **Mecanismo de actuación por contacto:**
En primer lugar, presione la palanca de empuje contra la pieza de trabajo y, a continuación, jale el gatillo para introducir el sujetador.
En primer lugar, jale el gatillo y, seguidamente, presione la palanca de empuje contra la pieza de trabajo para que se introduzca el sujetador.
Si mantiene el gatillo apretado, se introducirá un sujetador cada vez que se presiona la palanca de empuje contra la pieza de trabajo.

SEGURIDAD

INSTRUCCIONES IMPORTANTES DE SEGURIDAD PARA LA UTILIZACIÓN DE LA GRAPADORA

INSTRUCCIONES PARA EVITAR UN RIESGO DE INCENDIO, UNA DESCARGA ELÉCTRICA O LESIONES

● General

Para reducir el riesgo de descarga eléctrica, incendio o lesiones, **LEA TODAS LAS INSTRUCCIONES ANTES DE UTILIZAR LA HERRAMIENTA.**

⚠ PELIGRO

1. LOS OPERADORES Y DEMÁS PERSONAS QUE SE ENCUENTREN EN EL ÁREA DE TRABAJO DEBEN USAR PROTECCIÓN PARA LOS OJOS (GAFAS DE SEGURIDAD CON BLINDAJES LATERALES).



Antes de utilizar la grapadora, utilice siempre gafas protectoras con blindajes laterales, y asegúrese de que también sea utilizada por todas las personas que se encuentren en el área de trabajo.

Las gafas protectoras deberán estar de acuerdo con los requisitos del Instituto de Normas Nacionales Americanas, ANSI Z87.1 y proporcionar protección contra las partículas despedidas desde la parte frontal y posterior.

Las gafas ordinarias no brindan una protección adecuada.

El empresario deberá hacer que el operador de la grapadora y demás personas que se encuentren en el área de trabajo utilicen en todo momento gafas protectoras.

2. NO UTILICE GASES REACTIVOS NI OTROS GASES EMBOTELLADOS. PODRÍA PRODUCIRSE UNA EXPLOSIÓN.



No utilice nunca gases reactivos, como oxígeno, gases combustibles, etc. como fuente de propulsión de esta grapadora. La utilización de estos gases, o de otros gases embotellados, es peligrosa, ya que la grapadora podría explotar.

Utilice solamente aire comprimido limpio, seco, y regulado.

⚠ ADVERTENCIA

3. NO DIRIJA NUNCA LA HERRAMIENTA HACIA SÍ MISMO O HACIA OTRAS PERSONAS DEL ÁREA DE TRABAJO.



Piense siempre que la grapadora puede tener fijaciones cargadas.

No dirija nunca la grapadora hacia sí mismo o hacia otras personas, independientemente de que contenga o no fijaciones.

Si utilizase las grapas incorrectamente, podrían producirse lesiones serias.

No juegue nunca con la grapadora.

Trate la grapadora como herramienta de trabajo.

4. NO COLOQUE EL DEDO EN EL GATILLO Y MANTENGA LOS DEDOS ALEJADOS DEL GATILLO CUANDO NO CLAVE GRAPAS PARA EVITAR UNA DESCARGA ACCIDENTAL.

No transporte nunca la grapadora con el dedo en el gatillo, porque podría lanzar una grapa y lesionarse usted mismo o a otra persona.

Transporte siempre la grapadora por la empuñadura solamente.

5. CONOZCA Y COMPRENDA EL SISTEMA DE GRAPADORA QUE ESTÁ UTILIZANDO.

Lea y comprenda la sección titulada "MÉTODOS DE OPERACIÓN". (páginas 67-69)

6. NO REALICE NINGÚN CONTACTO CON EL EXTREMO DE SEGURIDAD (PALANCA DE EMPUJE) CUANDO NO CLAVE.

SEGURIDAD — Continuación

⚠️ ADVERTENCIA

Cuando utilice herramientas, deberán tomarse siempre precauciones básicas, incluidas las siguientes:

1. Zona de trabajo

- (1) **Mantenga la zona de trabajo limpia y bien iluminada.**

Los bancos llenos de cosas y las zonas oscuras aumentan el riesgo de descarga eléctrica, incendio y lesiones.

- (2) **No utilice la grapadora en atmósferas explosivas, como por ejemplo en presencia de líquidos inflamables, gases inflamables o polvo combustible.**

La grapadora puede crear chispas que podrían incendiar el polvo o los gases.

- (3) **Mantenga a los viandantes, los niños y los visitantes alejados mientras utiliza la grapadora.** Las distracciones podrían causar la pérdida de control de la grapadora.

2. Seguridad personal

- (1) **Permanezca alerta. Céntrese en su trabajo y utilice el sentido común cuando trabaje con la grapadora. No utilice la grapadora cuando esté cansado, después de haber consumido drogas o alcohol, o mientras esté bajo la influencia de medicamentos.**

Un momento de despiste cuando se utiliza la grapadora aumenta el riesgo de lesiones.

- (2) **Utilice ropa adecuada. No utilice ropa suelta o joyas. Recójase el pelo. Mantenga el pelo, la ropa y los guantes alejados de las partes móviles.**

La ropa suelta, las joyas o el pelo largo aumentan el riesgo de lesiones, ya que podrían pillarse con las partes móviles.

- (3) **Evite una puesta en marcha involuntaria. Asegúrese de que el interruptor está apagado antes de conectar al suministro de aire. No transporte la grapadora con el dedo colocado en el interruptor o lo conecte al suministro de aire con el interruptor encendido.**

- (4) **⚠️ ADVERTENCIA** – Desconecte la grapadora del suministro de aire antes de realizar ajustes, realizar el mantenimiento de la grapadora, eliminar atascos, tocar la

palanca de empuje, fijar el gancho, cuando no la esté usando, al salir del área de trabajo, al dejar la grapadora fuera de la supervisión o el control del operador, al cargar o descargar la grapadora, al entregársela a otra persona, al elevar, bajar o mover en cualquier otra forma la grapadora a una nueva ubicación. No trate de desatascar o reparar la grapadora salvo que haya desconectado el la manguera de aire de la grapadora y retirado todas los fijadores y tapas que queden en el mismo. La grapadora no deberá dejarse nunca desatendida, ya que podría ser utilizada por personas no familiarizadas con la misma, pudiéndose lesionar. Dichas medidas de precaución reducen el riesgo de lesiones.

- (5) **No estire el cuerpo. Mantenga los pies bien colocados y el equilibrio en todo momento.** El mantener los pies bien colocados y el equilibrio permite un mayor control de la grapadora en situaciones inesperadas.
- (6) **Utilice equipo de seguridad.** Deberán utilizarse una máscara para el polvo, zapatos de seguridad anti-deslizamiento y un casco para las condiciones aplicables.

- (7) **⚠️ ADVERTENCIA** – Riesgo de pérdida auditiva. Lleve protección auditiva.

La protección auditiva deberá tener una Calificación de reducción de ruido (NRR) determinada de acuerdo con las reglas de la Agencia de Protección Medioambiental de los Estados Unidos que sea adecuada para la exposición al ruido.

- (8) **Utilice siempre protección para la cabeza. Utilice siempre protección para la cabeza para protegerse de objetos que salgan despedidos.** Protección de la cabeza se ajustará a ANSI Z89.1, “Norma Nacional Estadounidense para Protección Industrial de la Cabeza”.
- (9) **No coloque la manguera o la grapadora en su cuerpo.**

Coloque la manguera en la estructura para reducir el riesgo de pérdida de equilibrio en caso de que la manguera se mueva.

SEGURIDAD — Continuación

⚠ ADVERTENCIA

- (10) **⚠ ADVERTENCIA** – **Clave Grapas solo en una superficie de trabajo adecuada.** No clave la grapa en otras grapas. Esto podría hacer que las fijaciones se desvien y golpeen a alguna persona, o hagan que la grapadora reaccione y provoque lesiones.

3. Uso y cuidado la grapadora

- (1) **Utilice agarraderas u otra forma práctica de fijación y apoye la pieza de trabajo sobre una plataforma estable.**

Sujetar el trabajo con las manos o contra el cuerpo es inestable y podría causar una pérdida de control.

- (2) **No fuerce la grapadora.** Utilice la grapadora correcta para la aplicación. La grapadora correcta hará el trabajo mejor y de forma más segura a la velocidad a la que la grapadora está diseñada.

- (3) **No utilice la grapadora si el interruptor no enciende o apaga la grapadora.** Las grapadoras que no pueden controlarse con el interruptor son peligrosos y deberán repararse.

No utilice grapadoras defectuosas o que funcionen de forma anormal. Si la grapadora funciona de forma anormal, hace ruidos extraños o parece estar defectuoso, deje de utilizarlo inmediatamente y llévelo a un centro de servicio autorizado de metabo HPT para su reparación.

- (4) **Desconecte la grapadora de la fuente de aire antes de realizar cualquier ajuste, cambiar accesorios o guardar la grapadora.** Dichas medidas de seguridad preventivas reducen el riesgo de que la grapadora se ponga en marcha involuntariamente.

- (5) **Guarde la grapadora fuera del alcance de los niños y de las personas no capacitadas para su uso cuando no se utilice.** Las grapadoras son peligrosas en manos de usuarios no capacitados.

- (6) **Mantenga la grapadora con cuidado.** Mantenga la grapadora limpia y lubricado para un funcionamiento mejor y más seguro.

- (7) **Verifique el fallo de alineación o de unión de las partes móviles, la rotura de las partes y otras condiciones que puedan afectar a la operación de la grapadora.**

Si la grapadora está dañada, llévelo a reparar antes de utilizarlo. Debido a la alta presión de aire en la grapadora, las grietas en la superficie son peligrosas. Para evitarlo, no deje que se caiga la grapadora ni lo golpee contra superficies duras, y no arañe o haga grabaciones en el mismo. Muchos accidentes se producen por un mantenimiento incorrecto de las grapadoras. Existe riesgo de explosión si la grapadora está dañada.

- (8) **No utilice la grapadora si no está en orden de operación adecuado. Etiquetas y divisiones físicas deberán ser usadas para el control.**

- (9) **Utilice solo accesorios identificados por metabo HPT para la grapadora específica.** El uso de accesorios con la grapadora no previstos aumenta el riesgo de lesiones.

- (10) **Utilice solo las fijaciones indicados en la sección Accesorios de este manual.** Las fijaciones que metabo HPT no identifique para su utilización con esta grapadora podrían producir un riesgo de lesiones o podrían dañar la grapadora cuando se utilicen en el mismo.

4. Mantenimiento

- (1) **El mantenimiento de la herramienta deberá ser realizado sólo por personal de reparación cualificado.**

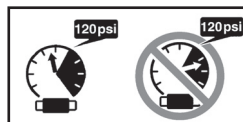
- (2) **Cuando realice el mantenimiento de una grapadora, utilice sólo piezas de repuesto idénticas. Utilice solo piezas autorizadas.**

- (3) **Utilice solo los lubricantes suministrados con la grapadora o especificados por metabo HPT.**

5. Fuente de aire

- (1) **No realice la conexión nunca a una fuente de aire que pueda superar 200 psi (13.7 bar 14 kgf/cm²) si un regulador falla.**

El exceso de presión en la grapadora podría provocar una explosión, un funcionamiento anormal, una rotura de la grapadora o lesiones graves.



SEGURIDAD — Continuación

⚠ ADVERTENCIA

NO SUPERE 120 psi (8.3 bar 8.5 kgf/cm²).

Utilice solo aire comprimido limpio, seco y regulado a la presión nominal o dentro del rango de presión nominal tal como se indique en la grapadora.

Antes de utilizar la grapadora, compruebe siempre que la fuente de aire se ha ajustado a la presión de aire nominal o dentro del rango aire-presión nominal.

- (2) **No utilice nunca gases reactivos, como oxígeno, dióxido de carbono, gases combustibles o ningún gas embotellado como fuente de aire para la grapadora.** Dichos gases podrían explotar y producir lesiones graves.

6. Otros

- (1) **Antes de empezar a trabajar, verifique el dispositivo de conmutación para la operación de engrapado.**

Esta grapadora metabo HPT incluye un dispositivo de conmutación para la operación de engrapado.

Antes de empezar a trabajar, verifique el ajuste del dispositivo de conmutación para la operación de clavado.

Si el dispositivo de conmutación para la operación de clavado no está debidamente ajustado, la grapadora no funcionará correctamente.

- (2) **Seleccione siempre el dispositivo de conmutación que sea apropiado para la aplicación y la capacitación del operador.**
- (3) **Tenga cuidado del doble fuego y de ser golpeado por la grapadora debido al retroceso. Luego de clavar una grapa, la grapadora podría retroceder causando que se aleje de la superficie de trabajo.**

Para reducir el riesgo de lesión, controle el retroceso:

- 1) Manteniendo siempre el control de la grapadora.
- 2) Permitiendo que el retroceso aleje la grapadora de la superficie de trabajo.
- 3) No resistiéndose al retroceso de forma que la grapadora se fuerce de nuevo hacia la superficie de trabajo. En "MECANISMO DE ACCIONAMIENTO DEL CONTACTO", si se permite que la palanca de empuje vuelva a contactar con la superficie de trabajo antes de soltar el gatillo, ocurrirá una descarga no deseada de una grapa. Para evitar este doble fuego no deseado,

- Operación intermitente (Disparo de gatillo)
 - ① Ajuste el mecanismo de conmutación a MECANISMO DE ACTUACIÓN SECUENCIAL SIMPLE.
 - ② Jale el gatillo rápida y firmemente.
- Operación continua (Presione la palanca de empuje)
 - ① Ajuste el mecanismo de conmutación a MECANISMO DE ACTUACIÓN POR CONTACTO.
 - ② No presione la grapadora contra la pieza de trabajo con una fuerza excesiva.
 - ③ Retire la grapadora de la pieza de trabajo después de efectuar el grapado.
- 4) Manteniendo la cara y las partes del cuerpo alejadas de la grapadora.
- (4) **No utilice nunca un acoplador sin descarga con la grapadora.** Si utiliza un acoplador sin descarga en la grapadora, éste podría permanecer cargado con aire después de haberlo desconectado y, por lo tanto, disparar una fijación incluso después de haberlo desconectado. La grapadora y la manguera de aire deben contar con un acople de manguera, de manera que se pueda remover toda la presión de la grapadora al desconectar la junta de acoplamiento.
- (5) **Compruebe la palanca de empuje antes de la utilización.** Cerciórese de que la palanca de empuje funciona adecuadamente y de que no está inutilizada, desconectada o modificada. (La palanca de empuje puede denominarse "Seguridad"). No utilice nunca la grapadora a menos que la palanca de empuje funcione adecuadamente, ya que de lo contrario la grapadora podría disparar inesperadamente una fijación. No cambie ni quite la palanca de empuje, ya que de lo contrario la palanca de empuje se volverá inoperable.
- (6) **Mantenga todos los tornillos y cubiertas bien apretados en su lugar.** Mantenga todos los tornillos y cubiertas firmemente apretados. Compruebe periódicamente su condición. No utilice nunca la grapadora si hay piezas perdidas o dañadas.

SEGURIDAD — Continuación

⚠ ADVERTENCIA

- (7) **No cargue fijaciones con el gatillo o la palanca de empuje presionada.** Cuando cargue fijaciones en la grapadora, o cuando conecte la manguera de aire,
- 1) no apriete el gatillo;
 - 2) no presione la palanca de empuje; y
 - 3) mantenga la grapadora apuntada hacia abajo.
- (8) **Mantenga las manos y el cuerpo alejados del cabezal de disparo durante su uso.** No coloque las manos ni los pies a menos de 8 pulgadas (200 mm) de la cabeza de salida de grapas. Si la pieza de trabajo desvía las grapas o si éstas salen del punto de introducción puede sufrir lesiones serias.
- (9) **Cuando trabaje cerca del borde de una pieza de trabajo o en ángulos muy agudos, o al clavar grapas en una pieza de trabajo fina, tenga cuidado para minimizar la aparición de virutas, astillas y divisiones, o el vuelo libre, el rebote o la perforación de las grapas, ya que podrían causar lesiones.**
- (10) **No clave nunca fijadores desde ambos lados de una pared al mismo tiempo.** Los fijadores podrían traspasar el panel y lesionar a la persona que se encuentra en el lado opuesto.
- (11) **Tenga cuidado adicional cuando clave grapas con la grapadora en paredes existentes y otras áreas ciegas, para evitar el contacto con objetos (p. ej. cables, tuberías) o personas ocultas que se encuentren en el otro lado.**
- (12) **Compruebe si hay cables activos.** Evite el riesgo de descargas eléctricas comprobando si hay cables activos escondidos en paredes, suelos o techos. Abra el disyuntor para asegurarse de que no quedan cables activos.
- (13) **No levante, tire de la grapadora ni la baje jalando de la manguera.**
- (14) **No desconecte la manguera de aire de la grapadora con el dedo puesto en el gatillo.** La grapadora podría disparar una fijación cuando reconectase el suministro de aire.
- (15) **Maneje correctamente la grapadora.** Maneje la grapadora de acuerdo con las instrucciones de este manual. No permita que la grapadora sea utilizada por niños, personal no autorizado o personas que no estén familiarizadas con su funcionamiento.
- (16) **No utilice nunca la grapadora para aplicaciones que no sean las especificadas en este manual.**
- (17) **No modifique ni altere nunca la grapadora.** Si lo hiciera podría funcionar mal y provocar lesiones.
- (18) **Al cambiar entre SECUENCIAL SIMPLE y POR CONTACTO, desconecte la manguera de aire y remueva todas las grapas .**
- (19) **Cuando el gancho esté montado, operar únicamente con el MECANISMO DE ACTUACIÓN SECUENCIAL SIMPLE y no con el MECANISMO DE ACTUACIÓN POR CONTACTO.**
- (20) **Desconecte la manguera de aire cuando fije el gancho.**
- (21) **No fije el gancho en ubicaciones altas o inestables. Además, no lo fije en el cuerpo, la ropa, el cinturón u otros útiles personales.**

SEGURIDAD — Continuación

RESPONSABILIDADES DEL EMPLEADOR, EL PROPIETARIO DE LA HERRAMIENTA Y EL OPERADOR DE LA HERRAMIENTA

1. Asegúrese de que este MANUAL esté al alcance de los operadores y del personal de mantenimiento.
2. Seleccione un dispositivo de comunicación apropiado considerando las aplicaciones para las que se usa la grapadora.
3. Capacite al operador en el uso seguro de la grapadora, como se describe en este MANUAL.
4. Asegúrese de que solo las personas que hayan leído y comprenden este MANUAL utilizan la grapadora.
5. Asegúrese de que las grapadoras son usadas únicamente cuando los operadores y otras personas que se encuentran en el área de trabajo llevan PROTECCIÓN OCULAR y otro equipo de protección personal apropiado, como PROTECCIÓN DE CABEZA, OÍDOS Y PIES.
6. Recalque que el operador y las demás personas que se encuentren en el área de trabajo necesitan utilizar GAFAS PROTECTORAS PARA LOS OJOS.
7. Asegúrese de que las grapadoras son conservadas en estado de operación seguro según se describe en este MANUAL.
8. Mantenga adecuadamente la grapadora.
9. Asegúrese de que solo el personal cualificado repara la grapadora.
10. Asegúrese de que las grapadoras que requieren reparación se remueven del servicio, y de que son utilizadas etiquetas y división física como método de control.

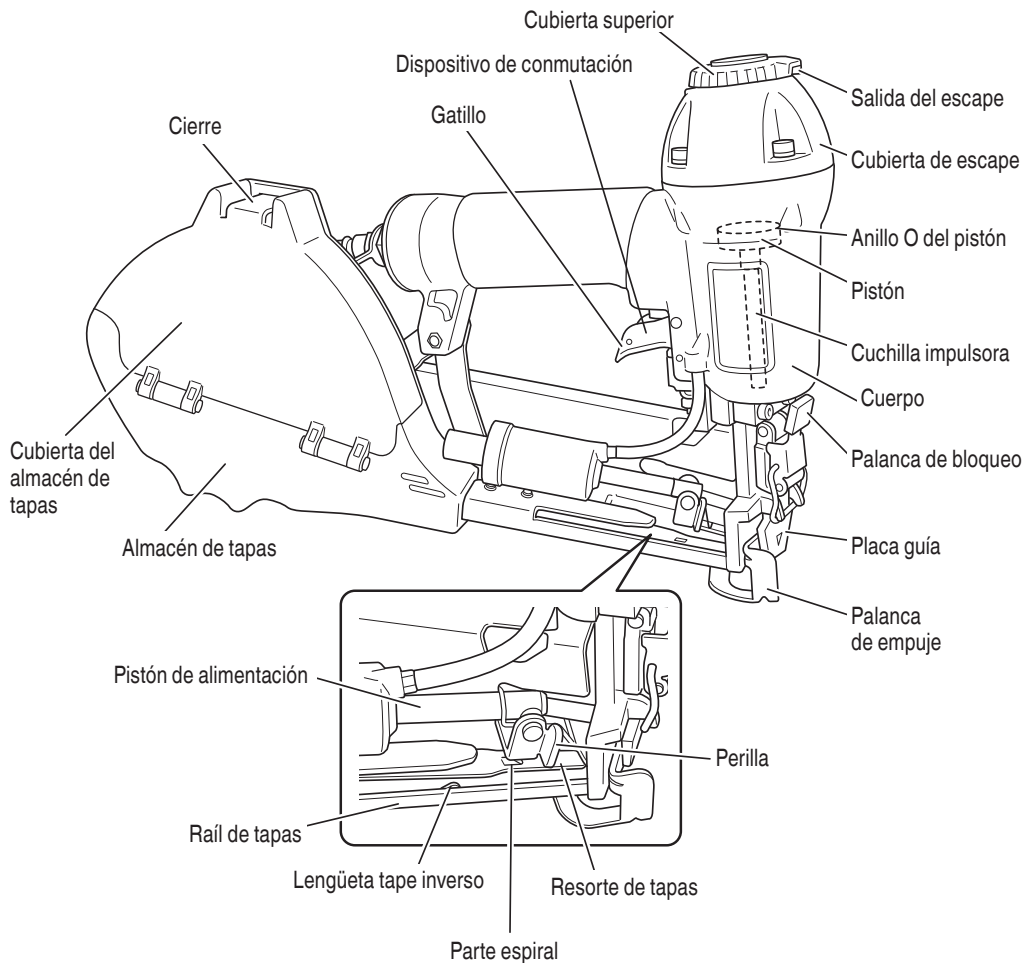
**¡GUARDE ESTE MANUAL
AL ALCANCE DE LOS DEMÁS OPERADORES!**

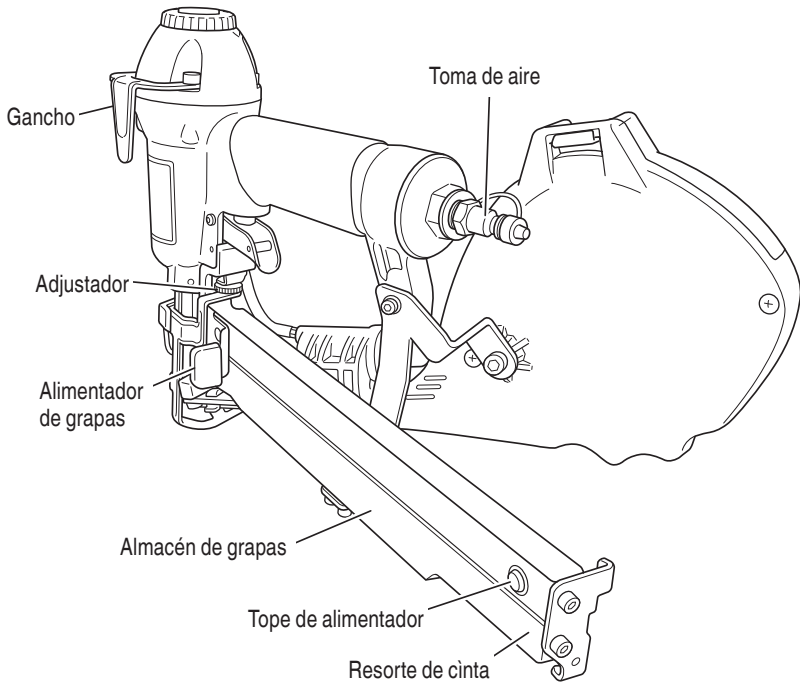
OPERACIÓN

NOTA: La información contenida en este manual ha sido diseñada para ayudarle a utilizar con seguridad esta grapadora.

Algunas de las ilustraciones de este manual pueden mostrar detalles o accesorios diferentes a los de su propia grapadora.

NOMENCLATURA





ESPECIFICACIONES

Presión de operación	70–120 psi (4.9–8.3 bar 5–8.5 kgf/cm ²)
Dimensiones Largo x Alto x Ancho	14-3/32" x 8-29/32" x 7-13/16" (358 mm x 226 mm x 198 mm)
Peso	4.9 lb (2.2 kg)
Capacidad de grapas	200 grapas (2 ristas)
Capacidad de tapas	200 tapas (1 carrete)
Consumo de aire	.030 ft ³ /ciclo a 100 psi (.85 litros/ciclo a 6.9 bar) (.85 litros/ciclo a 7 kgf/cm ²)
Entrada de aire	Roscado NPT de 1/4"

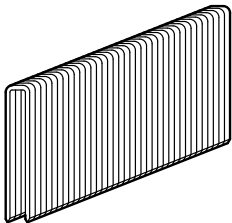
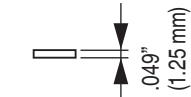
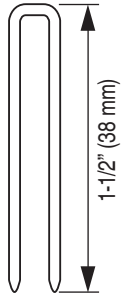
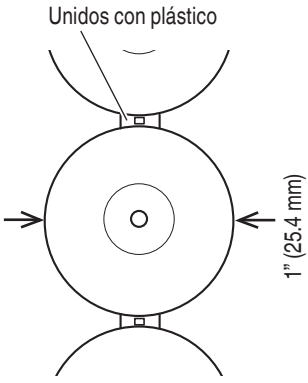
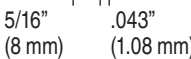
SELECCIÓN DE GRAPAS Y TAPAS

⚠ ADVERTENCIA

- Asegúrese de usar únicamente grapas y tapa legítima metabo HPT para la N3808AP. El uso de otras grapas y tapas puede producir un fallo de funcionamiento de la herramienta y/o la rotura de la grapa, lo que provocaría a su vez lesiones de gravedad.

Con esta grapadora solamente podrán utilizarse las grapas y la tapa que se indican en la tabla siguiente.

Dimensiones de las grapas

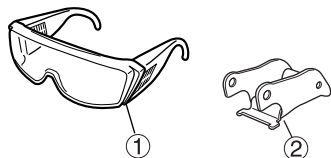
Grapas		Tapa	
Calibre 18 Corona de 7/16"		Tapa de plástico	
	Mín.	Máx.	
	 .049" (1.25 mm)	 1-1/2" (38 mm)	Unidos con plástico  1" (25.4 mm)
	 5/16" (8 mm) .043" (1.08 mm)		

ACCESORIOS

⚠ ADVERTENCIA

- Los accesorios que no sean los mostrados a continuación pueden provocar el mal funcionamiento de la grapadora y resultar en lesiones.

ACCESORIOS ESTÁNDAR



- ① Gafas protectoras para los ojos 1
 ② Kit de gatillo de actuación por contacto 1

ACCESORIOS OPCIONALES

- ... vendido aparte
- Lubricante para herramientas neumáticas
 Aceitador de .8 onzas (25 cc)
 (Núm. de código 877153)
 - Aceitador de 4 onzas (120 cc)
 (Núm. de código 874042)
 - Lata de 1 cuarto de galón (1 litro)
 (Núm. de código 876212)

NOTA: Los accesorios están sujetos a cambio sin ninguna obligación por parte de metabo HPT.

APLICACIONES

- Plancha de espuma
- Barrera humedad / receptáculo

ANTES DE LA OPERACIÓN

Lea la sección titulada “SEGURIDAD” (páginas 51-56).

Antes de la utilización, cerciórese de lo siguiente.

ENTORNO DE TRABAJO

⚠ ADVERTENCIA

- En el lugar de trabajo no deberá haber gases, líquidos, ni demás objetos inflamables.
- No permita que en el área de trabajo haya niños ni demás personas no autorizadas

SUMINISTRO DE AIRE

⚠ PELIGRO



- No utilice gases reactivos ni otros gases embotellados. Podría producirse una explosión.

⚠ ADVERTENCIA

- No conecte nunca la grapadora a una presión que pueda sobrepasar potencialmente 200 psi (13.7 bares 14 kgf/cm²) si un regulador falla.
- No utilice nunca un acoplador sin descarga con la grapadora.

1. Fuente de propulsión
 - Utilice solamente aire comprimido limpio, seco, y regulado como fuente de propulsión para esta grapadora.
 - Los compresores de aire para suministrar aire comprimido a esta grapadora deberán cumplir los requisitos de la última versión de la norma B 19.3 ANSI “Normas de Seguridad para Compresores para Industrias de Procesos”.
 - La humedad o el aceite en el compresor de aire puede acelerar el desgaste y la corrosión de la grapadora. Drénela diariamente.

2. Filtro-Regulador-Lubricador
 - Utilice un regulador con una presión de 0–120 psi (0–8.3 bar 0–8.5 kgf/cm²)
 - Las unidades de filtro-regulador-lubricador ofrecen la condición óptima para la grapadora y prolongan su duración útil. Estas unidades deberán utilizarse siempre.

FiltroEl filtro elimina la humedad y la suciedad del aire comprimido.

Drene diariamente la grapadora a menos que tenga instalado un dispositivo de drenado automático.

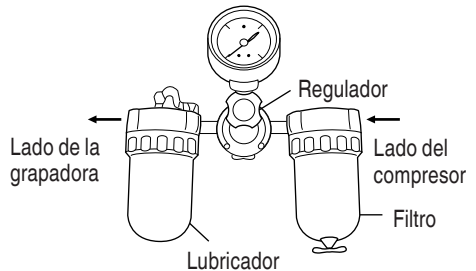
Mantenga limpio el filtro realizando regularmente su mantenimiento.

Regulador.....El regulador controla la presión de operación para poder utilizar con seguridad la grapadora.

Inspeccione el regulador antes de la operación a fin de asegurarse de que funcione adecuadamente.

Lubricador....El lubricador rocía aceite a la grapadora.

Inspeccione el lubricador antes de utilizarlo para comprobar si el suministro de lubricante es adecuado. Utilice lubricante para herramientas neumáticas metabo HPT.



3. Manguera de aire

Las mangueras de suministro de aire comprimido deben tener una presión operativa mínima igual o mayor que la presión procedente de la fuente de potencia si un regulador falla, o 150 psi (10.4 bares 10.6 kgf/cm²), el valor que sea mayor.
4. Consumo de aire

Utilizando la tabla de consumo de aire y la fórmula de tamaño del compresor de aire, busque el tamaño de compresor correcto.

Tabla de consumo de aire

Presión de operación	psi (bar) (kgf/cm ²)	80 (5.5) (5.6)	90 (6.2) (6.3)	100 (6.9) (7)
Consumo de aire	pies ³ /ciclo (litros/ciclo)	.024 (.69)	.027 (.76)	.030 (.85)

Fórmula de tamaño del compresor

Cantidad de aire requerida

= número de grapadoras

× promedio de grapas clavadas cada minuto por grapadora

× consumo de aire a la presión dada

× factor de seguridad (siempre 1.2)

Ejemplo: 3 grapadoras (N3808AP) funcionando a 100 psi para clavar 30 grapas por minuto

Cantidad de aire requerida

= $3 \times 30 \times .030 \times 1.2$

= 3.3 CFM (pies³/min) (93.5 litros/min)

Después de haber realizado los cálculos indicados arriba, tendrá que buscar un compresor que proporcione 3.3 CFM de aire, que es el valor requerido.

LUBRICACIÓN

Es muy importante que la grapadora esté adecuadamente lubricada.

Sin la lubricación apropiada, la grapadora no trabajará correctamente y las piezas se desgastarán prematuramente.

○ Utilice lubricante para herramientas neumáticas metabo HPT.

No utilice aceite detergente ni aditivos. Estos lubricantes dañarían las juntas tóricas y demás piezas de caucho. Esto haría que la grapadora funcionase mal.

○ Habrá que utilizar siempre unidades de filtro-regulador-lubricador.

Mantenga el lubricador lleno con lubricante para herramientas neumáticas metabo HPT.

○ Si no dispone de lubricador, aplique 5–10 gotas de lubricante para herramientas neumáticas metabo HPT a la toma de aire de la grapadora dos veces al día.

CUIDADOS PARA CLIMAS FRÍOS

○ No guarde la grapadora en lugares fríos.

Déjelo en un lugar cálido antes de comenzar a trabajar.

○ Si la grapadora está fría, póngala en un lugar cálido y deje que se caliente antes de utilizarla.

① Reduzca la presión de aire a 64 psi (4.4 bar 4.4 kgf/cm²).

② Extraiga todas las grapas y tapas de la grapadora.

③ Conecte la manguera de aire y dispare (disparo en vacío) la grapadora.

La reducción de la presión de aire será suficiente para disparar en vacío la grapadora.

La operación a baja velocidad tiende a calentar las partes móviles.

⚠ PRECAUCIÓN

● No dispare en vacío la grapadora a alta presión.

PRUEBA DE LA GRAPADORA

⚠ PELIGRO



● Los operadores y demás personas que se encuentren en el área de trabajo **DEBEN** usar gafas protectoras con blindajes laterales que cumplan con las especificaciones ANSI Z87.1. Las gafas ordinarias no brindan una protección adecuada.

⚠ ADVERTENCIA

● No utilice nunca la grapadora a menos que la palanca de empuje funcione adecuadamente.

Antes de comenzar el trabajo, pruebe la grapadora utilizando la lista de comprobaciones siguiente. Realice las comprobaciones en el orden indicado.

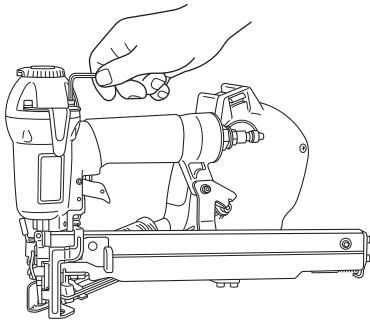
Si se produce alguna operación anormal, deje de utilizar la grapadora y póngase inmediatamente en contacto con un centro de reparaciones autorizado por metabo HPT.

(1) DESCONECTE LA MANGUERA DE AIRE DE LA GRAPADORA.

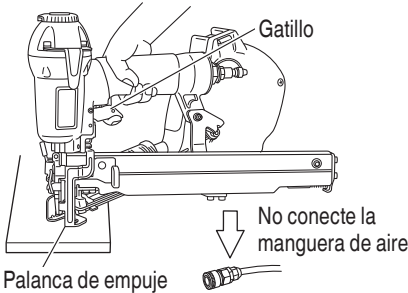
QUITE TODAS LAS GRAPAS Y TAPAS DE LA GRAPADORA.

□ TODOS LOS TORNILLOS DEBERÁN ESTAR BIEN APRETADOS.

Si hay algún tornillo flojo, apriételo.



LA PALANCA DE EMPUJE Y EL GATILLO DEBERÁN PODER ACCIONARSE SIN DIFICULTAD.



(2) QUITE TODAS LAS GRAPAS Y TAPAS DE LA GRAPADORA.

Remueva el gancho, si está montado.

→ Cuando el gancho esté montado, no opere la herramienta con el MECANISMO DE ACTUACIÓN POR CONTACTO.

NO empuje ni coloque la palanca de empuje sobre ninguna superficie.

NO FUERCE NI USE HERRAMIENTAS PARA OPERAR EL INTERRUPTOR.

(3) Ajuste la presión del aire a 70 psi (4.9 bar 5 kgf/cm²). Conecte la manguera de aire.

No cargue grapas y tapas en la grapadora.

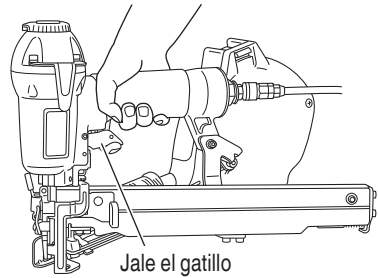
EL CLAVADOR NO DEBERÁ TENER FUGAS DE AIRE.

(4) Retire el dedo del gatillo y presione la palanca de empuje contra la pieza de trabajo.

EL CLAVADOR NO DEBERÁ FUNCIONAR.

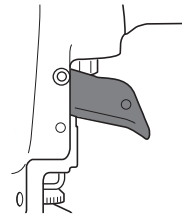
(5) Retire la palanca de empuje de la pieza de trabajo. Seguidamente, dirija la grapadora hacia abajo, jale el gatillo y espere en esa posición durante 5 segundos o más.

LA GRAPADORA NO DEBERÁ FUNCIONAR.



MECANISMO DE ACTUACIÓN POR CONTACTO

Identificado por: **GATILLO NEGRO**



(1) Con la grapadora alejada de la pieza de trabajo, jale el gatillo.

A continuación, presione la palanca de empuje contra la pieza de trabajo.

LA GRAPADORA DEBERÁ FUNCIONAR.

(2) A continuación, presione la palanca de empuje contra la pieza de trabajo.

Ahora jale el gatillo.

LA GRAPADORA DEBERÁ FUNCIONAR.

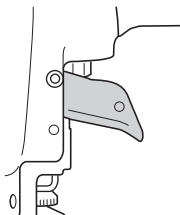
(3) Si no observa nada anormal, cargue grapas y tapas en la grapadora.

Clave en la pieza de trabajo las mismas grapas que vaya a utilizar en la aplicación real.

LA GRAPADORA DEBERÁ FUNCIONAR ADECUADAMENTE.

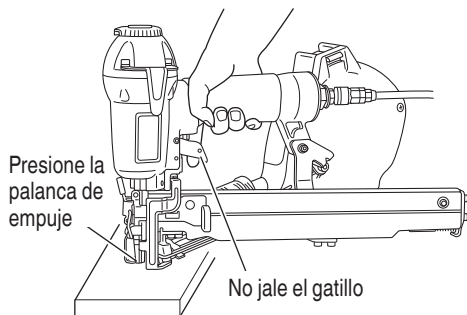
MECANISMO DE ACTUACIÓN SECUENCIAL SIMPLE

Identificado por: GATILLO ROJO



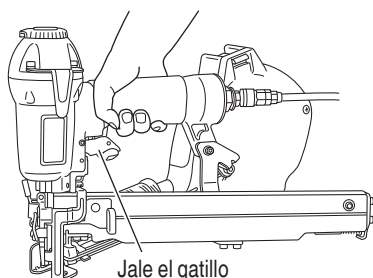
- (1) Retire el dedo del gatillo y presione la palanca de empuje contra la pieza de trabajo.

LA GRAPADORA NO DEBERÁ FUNCIONAR.



- (2) Retire la palanca de empuje de la pieza de trabajo. Seguidamente, dirija la grapadora hacia abajo, jale el gatillo y espere en esa posición durante 5 segundos o más.

LA GRAPADORA NO DEBERÁ FUNCIONAR.



- (3) En primer lugar, jale el gatillo. A continuación, presione la palanca de empuje contra la pieza de trabajo.

LA GRAPADORA NO DEBERÁ FUNCIONAR.

- (4) Sin tocar el gatillo, presione la palanca de empuje contra la pieza de trabajo. A continuación, jale el gatillo.

LA GRAPADORA DEBERÁ FUNCIONAR.

- (5) Si no observa nada anormal, cargue grapas y tapas en la grapadora.

Clave en la pieza de trabajo las mismas grapas que vaya a utilizar en la aplicación real.

LA GRAPADORA DEBERÁ FUNCIONAR ADECUADAMENTE.

AJUSTE DE LA PRESIÓN DE AIRE

⚠ ADVERTENCIA



- No sobrepase 120 psi (8.3 bar 8.5 kgf/cm²).

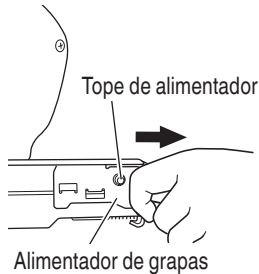
Ajuste la presión del aire al valor recomendado, 70–120 psi (4.9–8.3 bar 5–8.5 kgf/cm²) de acuerdo con la longitud de las grapas y la dureza de la pieza de trabajo. La presión de aire correcta es la más baja con la que pueda realizarse el trabajo. La utilización de la grapadora con una presión de aire más alta de la requerida lo forzará innecesariamente.

CARGA DE GRAPAS

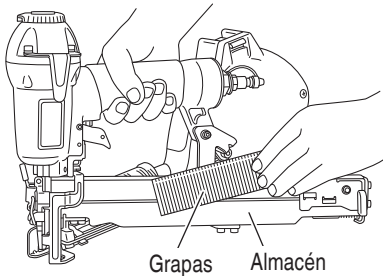
⚠ ADVERTENCIA

- Cuando cargue las grapas en la grapadora,
 - 1) no apriete el gatillo;
 - 2) no apriete la palanca de empuje;
 - 3) desconecte la manguera de aire de la grapadora; y
 - 4) mantenga la grapadora apuntando hacia abajo.

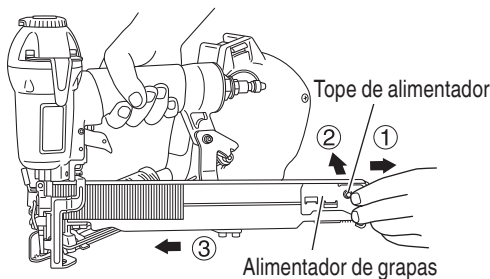
- (1) Tire del alimentador de grapas hacia atrás, y confirme que el tope de alimentador esté firmemente alojado en el orificio del tope de alimentador provisto en el alimentador de grapas.



- (2) Coloque la tira de grapas sobre el almacén. Asegúrese de que la tira de grapas se deslice libremente sobre el almacén.



- (3) Tire ligeramente del alimentador de grapas hacia atrás, y presione el tope de alimentador. Empuje el alimentador de grapas hacia adelante. Coloque suavemente el alimentador de grapas en la parte posterior de las grapas cargadas.



La grapadora habrá quedado lista ahora para poder utilizarse.

⚠ PRECAUCIÓN

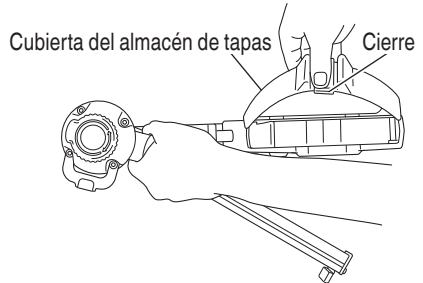
Si libera repentinamente el alimentador de grapas, podrá retornar con brusquedad, provocando deformación y/o dispersión, y eventualmente, el bloqueo de las grapas. Asegúrese de regresar el alimentador de grapas con suavidad, evitando cualquier posible impacto.

CARGA DE TAPAS

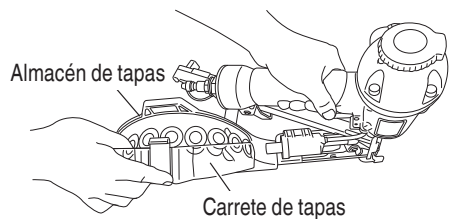
⚠ ADVERTENCIA

- Cuando cargue las tapas en la grapadora,
 - 1) no apriete el gatillo;
 - 2) no apriete la palanca de empuje;
 - 3) desconecte la manguera de aire de la grapadora; y
 - 4) mantenga la grapadora apuntando hacia abajo.

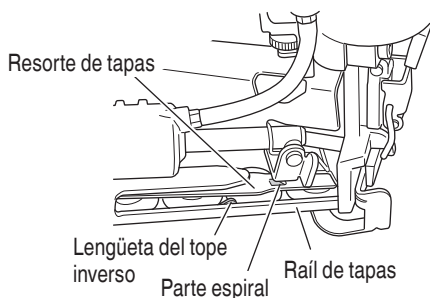
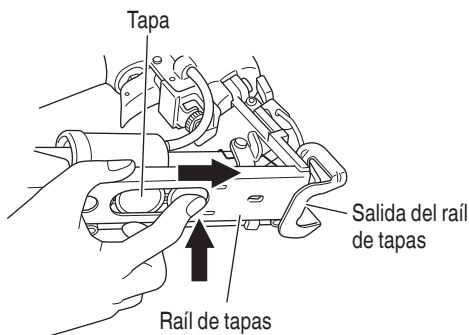
- (1) Pulse el cierre de la cubierta del almacén de tapas con los dedos y abra la cubierta del almacén de tapas.



- (2) Tire las tapas ligeramente fuera del carrete y luego inserte el carrete de tapas en el almacén de tapas.

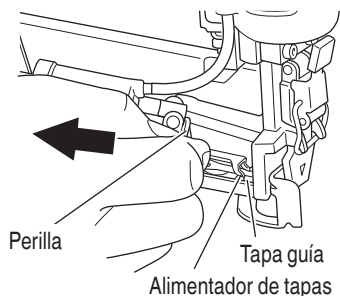


- (3) Presione el resorte de tapas hacia arriba y guíe la tapa hacia el interior del raíl de tapas. Coloque la segunda tapa en la lengüeta del tope inverso.



Tire en la dirección opuesta y compruebe que la instalación ha finalizado.

- (4) Cierre la cubierta del almacén de tapas. Tire de la perilla en la dirección de la flecha para retirar el alimentador de tapas e introducir la tapa guía en la salida de disparo.

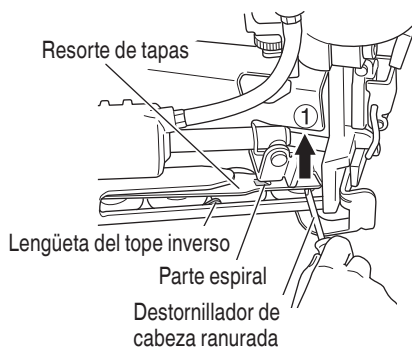


EXTRACCIÓN DE TAPAS

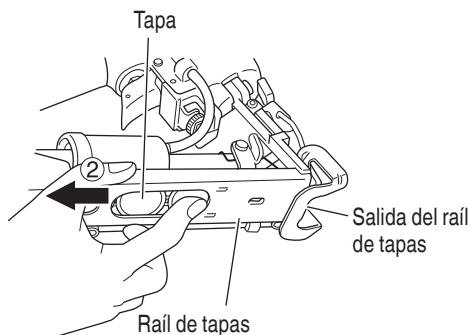
⚠ ADVERTENCIA

- Quite la manguera de aire
- Quite las grapas

- (1) Presione suavemente el resorte de tapas hacia arriba. (①)
(Utilice un destornillador de cabeza ranurada o una herramienta similar).



- (2) A medida que extrae la parte en espiral del resorte de tapas de la tapa, presione la tapa hacia el cartucho de tapas evitando contacto con la lengüeta del tope inverso del raíl de tapas. (②)



NOTA:

- No presione el resorte de tapas con una fuerza excesiva, ya que un resorte de tapas deformado afectará negativamente al rendimiento de envío de tapas.
- Si el raíl de tapas se obstruye, corte el exceso de tapas.

OPERACIÓN DE LA GRAPADORA

Lea la sección titulada “SEGURIDAD” (páginas 51–56).

⚠ PELIGRO



- Los operadores y demás personas que se encuentren en el área de trabajo **DEBEN** usar gafas protectoras con blindajes laterales que cumplan con las especificaciones ANSI Z87.1. Las gafas ordinarias no brindan una protección adecuada.

⚠ ADVERTENCIA



- Solo las personas que hayan leído y comprendido este **MANUAL** pueden utilizar la grapadora.
- No dirija **NUNCA** la herramienta hacia sí mismo o hacia otras personas del área de trabajo.
- Mantenga los dedos **ALEJADOS** del gatillo cuando no clave grapas, para evitar descargas accidentales.
- Conozca y comprenda el sistema de grapadora que está utilizando. Por favor lea y comprenda la sección “MÉTODOS DE OPERACIÓN” a continuación.
- Inspeccione la grapadora antes de operarla para determinar el sistema de accionamiento. Antes de iniciar el trabajo, controle el dispositivo de encendido de la grapadora. Esta grapadora metabo HPT incluye un dispositivo de encendido de la operación de engrapado. Antes de iniciar el trabajo, asegúrese de que el dispositivo de encendido esté correctamente ajustado. Si no está ajustado en forma apropiada, la grapadora no funcionará correctamente.
- Nunca coloque las manos o el cuerpo a menos de 8 pulgadas (200 mm) del cabezal de disparo cuando lo use.
- No clave grapas en otras grapas, las grapas pueden rebotar y herir a alguien.

- No accione la grapadora a menos que esté firmemente colocada contra la pieza de trabajo.
- Para evitar el doble disparo o la expulsión inesperada de un clavo debido al rebote de la grapadora.
 - 1) no empuje la grapadora con demasiada fuerza contra la pieza de trabajo;
 - 2) separe la grapadora de la pieza de trabajo utilizando el coletazo;
 - 3) suelte el gatillo rápidamente después del disparo.
- Cuando trabaje cerca del borde de una pieza de trabajo o en ángulos muy agudos, o al clavar grapas en una pieza de trabajo fina, tenga cuidado para minimizar la aparición de virutas, astillas y divisiones, o el vuelo libre, el rebote o la perforación de las grapas, ya que podrían causar lesiones.
- No clave nunca grapas desde ambos lados de una pared al mismo tiempo. Las grapas podrían traspasar la pared y lesionar a la persona del lado opuesto.
- No utilice nunca una grapadora defectuosa o que funcione anormalmente.
- No utilice la grapadora a modo de martillo.
- Desconecte la manguera de aire de la grapadora cuando:
 - 1) no vaya a utilizarla;
 - 2) vaya a abandonar el área de trabajo;
 - 3) la eleve, la descienda o de otra manera vaya a trasladarla a otro lugar;
 - 4) vaya a entregársela a otra persona;
 - 5) haga un cambio del dispositivo de conmutación;
 - 6) realice mantenimientos o reparaciones;
 - 7) desatascar la grapadora;
 - 8) la grapadora está fuera de la supervisión o el control del operador;
 - 9) remueve grapas y tapas del cartucho;
 - 10) ajuste la profundidad de engrapado;
 - 11) gire la cubierta superior; y
 - 12) Al montar el gancho

Hay dos tipos de funcionamiento para colocar grapas con esta grapadora.

Utilice el MECANISMO DE ACTUACIÓN POR CONTACTO o el MECANISMO DE ACTUACIÓN SECUENCIAL SIMPLE de acuerdo con la tarea que se va a realizar.

Explicación sobre las diversas operaciones de grapado

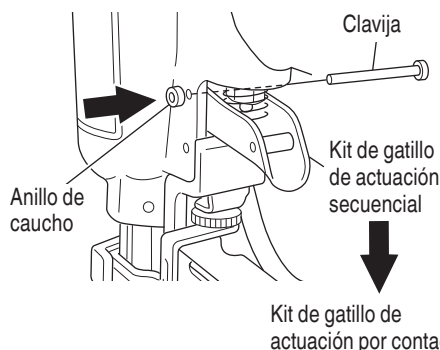
- MECANISMO DE ACTUACIÓN POR CONTACTO: En primer lugar, presione la palanca de empuje contra la pieza de trabajo y, a continuación, jale el gatillo para introducir la grapa. O,

jale el gatillo, y, seguidamente, presione la palanca de empuje contra la pieza de trabajo para que se introduzca la grapa.

Si mantiene el gatillo apretado, se introducirá una grapa cada vez que se presiona la palanca de empuje contra la pieza de trabajo.

El modelo N3808AP se envía con un KIT DE ACTUACIÓN SECUENCIAL.

Al cambiar del KIT DE ACTUACIÓN SECUENCIAL al KIT DE ACTUACIÓN POR CONTACTO, sustituya por KIT DE ACTUACIÓN POR CONTACTO.



- MECANISMO DE ACTUACIÓN SECUENCIAL SIMPLE: En primer lugar, presione la palanca de empuje contra la pieza de trabajo y, a continuación, jale el gatillo para introducir la grapa.

Una vez que se introduzca una grapa, no se podrá volver a grapar hasta que suelte el gatillo y lo vuelva a presionar.

MÉTODOS DE OPERACIÓN

Esta grapadora está equipada con una palanca de empuje, y no funcionará a menos que ésta esté presionada (posición hacia arriba).

Existen tres métodos de operación para clavar grapas con esta grapadora.

Estos métodos son:

1. Operación intermitente (Disparo con el gatillo):
MECANISMO DE ACTUACIÓN DE CONTACTO,
MECANISMO DE ACTUACIÓN SECUENCIAL SIMPLE
2. Operación continua (Disparo con la palanca de empuje):
MECANISMO DE ACTUACIÓN DE CONTACTO

3. Operación secuencial simple (Disparo con el gatillo):
MECANISMO DE ACTUACIÓN SECUENCIAL SIMPLE

- (1) Operación intermitente (Disparo con el gatillo)
Se recomienda utilizar el MECANISMO DE ACTUACIÓN SECUENCIAL SIMPLE

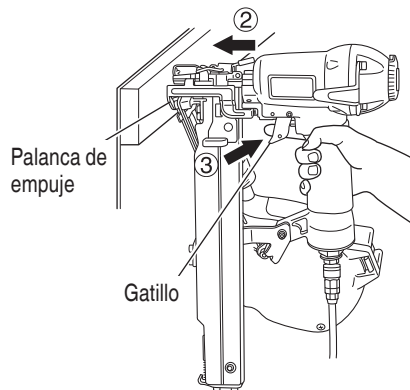
⚠ ADVERTENCIA

- Para evitar el doble disparo o el disparo accidental debido a la reculada.

1) Jale el gatillo rápida y firmemente.

- ① Ubique la salida de grapas en la pieza de trabajo con el dedo fuera del gatillo.
- ② Presione la palanca de empuje firmemente hasta que esté completamente presionada.
- ③ Accione el gatillo para clavar una grapa.
- ④ Retire el dedo del gatillo.

Para continuar el engrapado en un lugar diferente, mueva la grapadora a lo largo de la pieza de trabajo, repitiendo los pasos ① – ④ según se requiera.



⚠ ADVERTENCIA

- Se dispara una grapa cada vez que se presiona el gatillo, siempre que la palanca de empuje permanezca presionada.

- (2) Operación continua (Disparo con la palanca de empuje)

Utilización del mecanismo de actuación por contacto

⚠ ADVERTENCIA

- Para evitar el doble disparo o el disparo accidental debido a la reculada.

1) No presione la grapadora contra la pieza de trabajo con fuerza excesiva.

2) Separe la grapadora de la pieza de trabajo mientras la repliega.

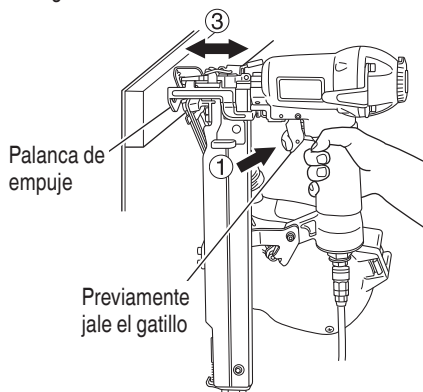
- Si el gancho está montado, no operar la herramienta con el MECANISMO DE ACTUACIÓN POR CONTACTO.

① Jale el gatillo con la grapadora fuera de la pieza de trabajo.

② Presione la palanca de empuje contra la pieza de trabajo para clavar una grapa.

③ Mueva la grapadora a lo largo de la pieza de trabajo con un movimiento de rebote. Cada vez que se baje la palanca de empuje, clavará una grapa.

En cuanto haya colocado las grapas deseadas, retire el dedo del gatillo.



- (3) Operación secuencial simple (Disparo con el gatillo)

⚠ ADVERTENCIA

- Para evitar el doble disparo o el disparo accidental debido a la reculada.

1) Jale el gatillo rápida y firmemente.

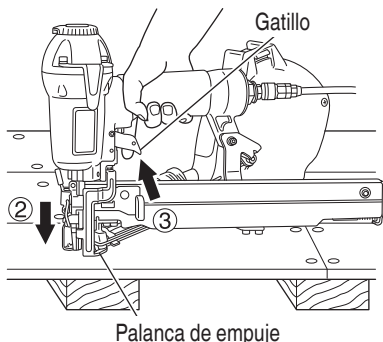
① Coloque la salida de las grapas sobre la pieza de trabajo con el dedo fuera del gatillo.

② Presione a fondo la palanca de empuje.

③ Jale el gatillo para clavar una grapa.

④ Separe el dedo del gatillo.

Para continuar grapando en un lugar separado, mueva la grapadora a lo largo de la pieza de trabajo, repitiendo los pasos ① – ④, según se requiera.



⚠ ADVERTENCIA

- Mantenga el dedo separado del gatillo excepto durante la operación, porque esto podría resultar en lesiones si la palanca de empuje entrase en contacto con su cuerpo o con el de otras personas del área de trabajo.

- Mantenga las manos y el cuerpo alejados del área de descarga. La grapadora con mecanismo de disparo por contacto puede rebotar una grapa ya clavada y clavar otra no deseada, provocando una posible lesión.

- Algunos tipos de grapas cargadas pueden salirse de la boca durante la operación de clavado de grapas. ¡Tenga cuidado!

El MECANISMO DE ACTUACIÓN SECUENCIAL SIMPLE se usa para colocar los fijadores con gran precisión.

El MECANISMO DE ACTUACIÓN SECUENCIAL SIMPLE puede disminuir la ocurrencia de lesiones en el área de trabajo en comparación con el MECANISMO DE ACTUACIÓN POR CONTACTO. Esto se debe a que hay menos posibilidades de lanzar una grapa de forma no intencional a alguna persona si continúa presionando el gatillo y presiona la palanca de empuje de manera accidental.

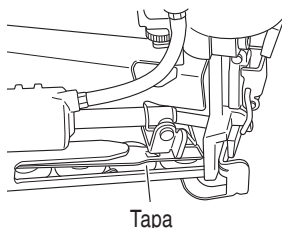
El MECANISMO DE ACTUACIÓN SECUENCIAL SIMPLE puede también reducir la velocidad de funcionamiento en comparación con el MECANISMO DE ACTUACIÓN POR CONTACTO. Se recomienda que los usuarios con poca experiencia usen el MECANISMO DE ACTUACIÓN SECUENCIAL SIMPLE.

NOTA:

- Si se respetan todas las advertencias y precauciones, se podrá realizar una operación segura con los dos sistemas : MECANISMO DE ACTUACIÓN POR CONTACTO y MECANISMO DE ACTUACIÓN SECUENCIAL SIMPLE.
- Manipule siempre con cuidado las grapas y el empaque. Si se dejan caer, se podrían romper las uniones de las grapas, lo que puede hacer que se inserten mal y se traben.
- Después de haber clavado grapas:
 - 1) desconecte la manguera de aire de la grapadora;
 - 2) extraiga todas las grapas y tapas de la grapadora;
 - 3) aplique 5-10 gotas de lubricante para herramientas neumáticas metabo HPT a la toma de aire de la grapadora; y
 - 4) abra la llave de escape del depósito del compresor de aire para drenar la humedad que pueda existir.

A continuación se muestran ejemplos de alimentación irregular de las tapas y cómo solucionar el problema.

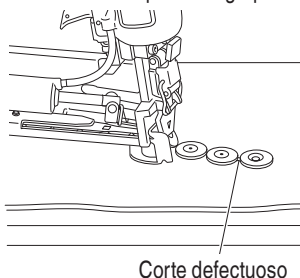
1. Corte al conectar



○ Cómo solucionarlo.

- ① DESCONECTE LA MANGUERA DE AIRE.
- ② Retire las tapas con el dedo u otro objeto.
- ③ Verifique que las tapas están debidamente colocadas. De lo contrario, ajuste la posición de la tapa. (Consulte el apartado Carga de tapas en la página 64.)

2. Corte defectuoso al disparar las grapas.



○ Cómo solucionarlo.

- ① DESCONECTE LA MANGUERA DE AIRE.
- ② Retire las tapas con el dedo u otro objeto.
- ③ Verifique que las tapas están debidamente colocadas. De lo contrario, ajuste la posición de la tapa. (Consulte el apartado Carga de tapas en la página 64.)

AJUSTE DE LA PROFUNDIDAD DE GRAPADO

⚠ ADVERTENCIA

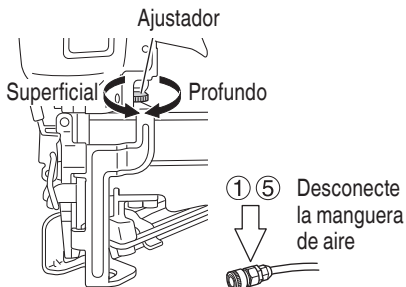
- **Desconecte la manguera de aire de la grapadora antes de girar el ajustador.**

Para asegurar que cada grapa penetre con la misma profundidad, cerciórese de que:

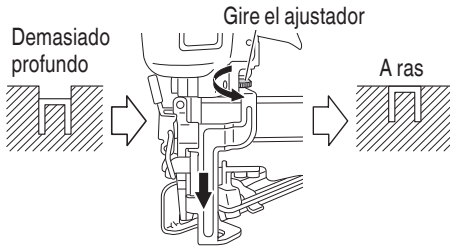
- 1) la presión de aire suministrada a la grapadora permanezca constante (regulador instalado y trabajando adecuadamente), y
- 2) esté sujetando firmemente la grapadora contra la pieza de trabajo.

Si las grapas penetran demasiado o demasiado poco en la pieza de trabajo, realice el ajuste en el orden siguiente.

- ① DESCONECTE LA MANGUERA DE AIRE DE LA GRAPADORA.



- ② Si las grapas penetran demasiado, gire el ajustador hacia la parte de menor profundidad.
Si las grapas no penetran demasiado, gire el ajustador hacia la parte más profunda.



- ③ Deje de girar el ajustador cuando se alcance la posición apropiada según una prueba de engrapado.
④ Conecte la manguera de aire.
SIEMPRE UTILICE ANTEOJOS DE SEGURIDAD.
Realice un test de engrapado.
⑤ **DESCONECTE LA MANGUERA DE AIRE DE LA GRAPADORA.**
⑥ Elija la posición adecuada para el ajustador.

NOTA:

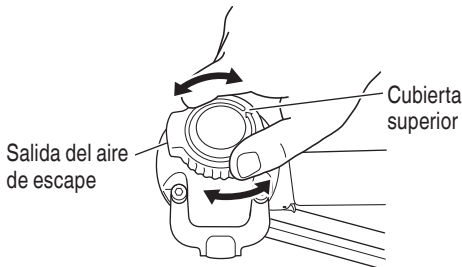
- La grapa no podría penetrar lo suficiente si se utiliza alta presión con el ajustador hacia arriba (lado menos profundo) debido a factores como dureza de material o tipo de grapa.
Si esto ocurre, reduzca la presión y fije el ajustador en la posición más baja de modo que dirija la grapa en una buena posición.

CAMBIO DEL SENTIDO DEL AIRE DE ESCAPE

⚠ ADVERTENCIA

- **Desconecte la manguera de aire de la grapadora antes de girar la cubierta superior.**

El sentido del aire de escape podrá cambiarse girando la cubierta superior.

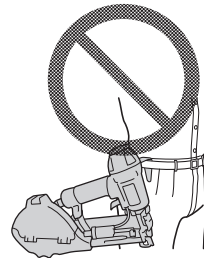


GANCHO

Con el modelo N3808AP un gancho incluido puede ser montado utilizando los pernos M5 incluidos con las herramientas. Cuando la herramienta se desmonta de la manguera y no se usa, el gancho se puede usar para guardar la unidad.

⚠ ADVERTENCIA

- Cuando monte o desmonte el gancho, contáctese con un Centro de Servicio Autorizado de metabo HPT.
- Cuando el gancho esté montado, operar únicamente con el MECANISMO DE ACTUACIÓN SECUENCIAL SIMPLE y no con el MECANISMO DE ACTUACIÓN POR CONTACTO. Para cambiar entre SECUENCIAL SIMPLE y POR CONTACTO, refiérase a la sección apropiada en "OPERACIÓN DE LA GRAPADORA".
- Desconecte la manguera de aire cuando enganche la unidad.
- No fije el gancho en ubicaciones altas o inestables. Además, no lo enganche en el cuerpo, la ropa, el cinturón u otros útiles personales.



MANTENIMIENTO

NOTA:

La información contenida en este manual ha sido diseñada para ayudarle a mantener con seguridad esta grapadora.

Algunas ilustraciones de este manual pueden mostrar detalles o dispositivos diferentes a los de su propia grapadora.

MANTENIMIENTO E INSPECCIÓN

Lea la sección titulada "SEGURIDAD" (páginas 51-56).

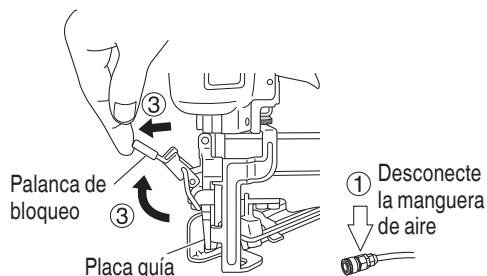
⚠ ADVERTENCIA

- **Desconecte la manguera de aire y extraiga todas las grapas de la grapadora antes de:**
 - 1) realizar trabajos de mantenimiento e inspección; y
 - 2) desatascar la grapadora.

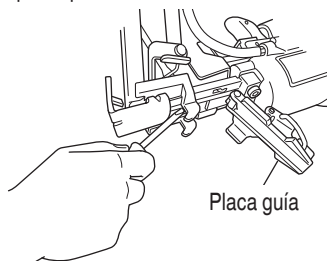
1. Desatascar la grapadora

Quite la grapa atascada en el orden siguiente:

- ① Desconecte la manguera de aire.
- ② Quite todas las grapas y tapas.
- ③ Suelte la palanca de bloqueo y abra la placa guía.



- ④ Extraiga la grapa atascada con un destornillador de punta plana.



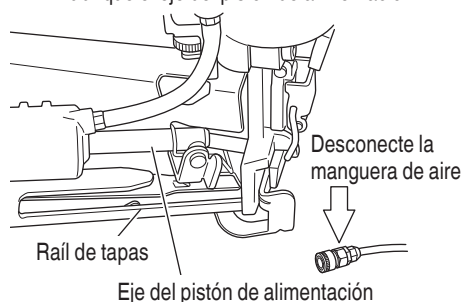
- ⑤ Cierre la placa guía y el cierre.
- ⑥ En caso de atasco frecuente, póngase en contacto con un centro de reparaciones autorizado por metabo HPT.

2. Inspección de los alimentadores

(Unidad de alimentación de tapas)

- ① **DESCONECTE LA MANGUERA DE AIRE.**
- ② Limpie el eje del pistón de alimentación y el raíl de tapas.

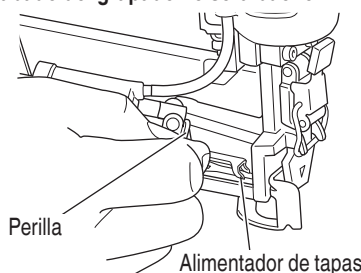
Lubrique el eje del pistón de alimentación.



⚠ PRECAUCIÓN

- Tire de la perilla del alimentador de tapas y del alimentador de grapas para comprobar que se mueven sin problemas.

Si no se mueve bien, puede que estén mal sincronizadas las tapas y las grapas, y el acabado del grapado no será bueno.



3. Inspección del almacén y del almacén de tapas

- ① **DESCONECTE LA MANGUERA DE AIRE.**
 - ② Limpie el almacén y el almacén de tapas.
- Retire el polvo y los restos de madera que se hayan acumulado en el almacén y en el almacén de tapas.

4. Almacenamiento

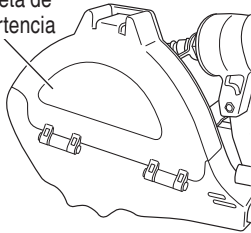
- Cuando no vaya a utilizar la grapadora durante mucho tiempo, aplique una capa fina de lubricante a las piezas de acero para evitar que se oxiden.
- No guarde la grapadora en un lugar frío. Guarde la grapadora en un lugar cálido.
- Cuando no vaya a utilizar la grapadora, deberá guardarla en un lugar cálido y seco. Mantenga la grapadora fuera del alcance de los niños.

5. ETIQUETA DE ADVERTENCIA

No utilice la grapadora si la ETIQUETA DE ADVERTENCIA falta o está dañada.

Solicite la nueva ETIQUETA DE ADVERTENCIA a un centro de reparaciones autorizado por metabo HPT.

Etiqueta de advertencia



- 6. Tabla de mantenimiento (Consulte la página 73)
- 7. Solución de problemas por parte del operador (Consulte la página 73)
- 8. Lista de repuestos

⚠ PRECAUCIÓN

- La reparación, modificación e inspección de las herramientas eléctricas metabo HPT deben ser realizadas por un Centro de Servicio Autorizado de metabo HPT.

Esta lista de repuestos será de utilidad si es presentada junto con la herramienta al Centro de Servicio Autorizado de metabo HPT para solicitar la reparación o cualquier otro tipo de mantenimiento.

En el manejo y el mantenimiento de las herramientas eléctricas, se deberán observar las normas y reglamentos vigentes en cada país.

MODIFICACIONES:

metabo HPT Power Tools introduce constantemente mejoras y modificaciones para incorporar los últimos avances tecnológicos.

Por consiguiente, algunas partes (por ejemplo, números de códigos y/o diseño) pueden ser modificadas sin previo aviso.

SERVICIO Y REPARACIONES

⚠ ADVERTENCIA

- Esta grapadora solamente deberá repararla personal entrenado por metabo HPT, un distribuidor, o el empresario.
- Para la reparación, utilice solamente las piezas suministradas o recomendadas por metabo HPT.

Todas las grapadoras de calidad requerirán el servicio de mantenimiento o de reemplazo de piezas debido al desgaste con la utilización normal.

NOTA:

Las especificaciones están sujetas a cambio sin ninguna obligación por parte de metabo HPT.

Tabla de mantenimiento

ACCIÓN	PARA	CÓMO
Drenaje diario del filtro de la línea de aire.	Evitar la acumulación de humedad y suciedad.	Abra la llave de escape manual.
Mantenimiento del lubricador lleno.	Mantener la grapadora lubricada.	Rellene con lubricante para herramientas neumáticas metabo HPT.
Limpie el elemento de filtrado y sople aire a través del filtro en dirección opuesta al flujo normal diario.	Evitar que el filtro se atasque con suciedad.	Siga las instrucciones del fabricante.
Limpie el almacén de grapas y tapas y el mecanismo de alimentación de grapas y tapas.	Evitar atascos.	Sople diariamente.
Mantenimiento de la palanca de empuje en perfectas condiciones.	Garantizar la seguridad del operador y la operación eficaz de la grapadora.	Sople diariamente.
Lubricación de la grapadora después de haberla utilizada.	Prolongar la duración de la grapadora.	Aplique 5-10 gotas de lubricante a la grapadora.
Drene el compresor de aire todos los días.	Mantener la grapadora en buenas condiciones de operación.	Abra la llave escape del depósito del compresor de aire.

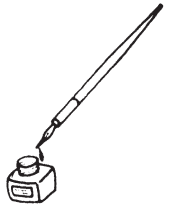
Solución de problemas por parte del operador

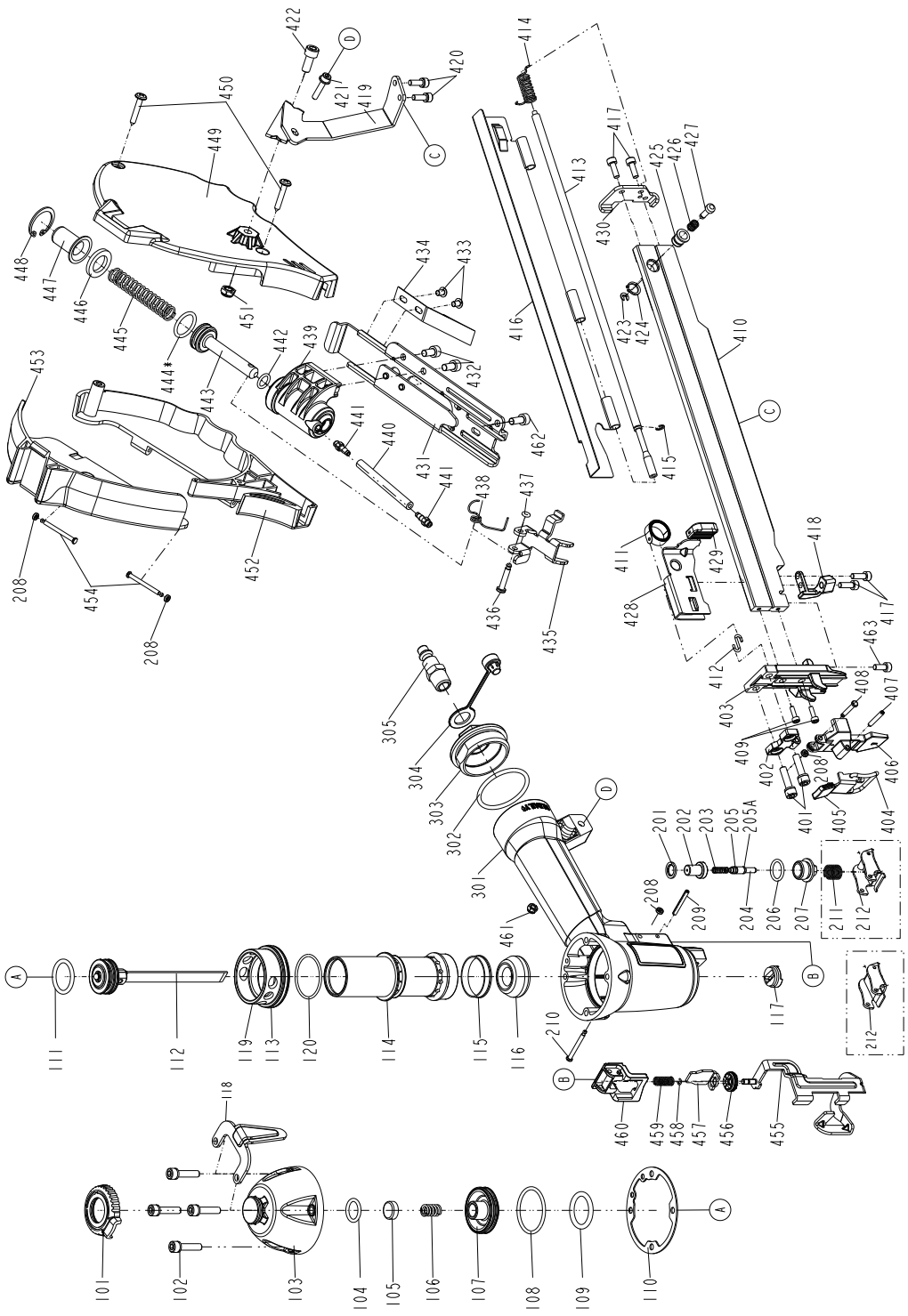
La mayoría de los problemas sin importancia podrán resolverse fácilmente utilizando la tabla siguiente.

Si el problema persiste, póngase en contacto con un centro de reparaciones autorizado por metabo HPT.

PROBLEMA	MÉTODO DE COMPROBACIÓN	SOLUCIÓN
La grapadora funciona pero las grapas y tapas no se introducen.	Compruebe si está atascada.	Desatasque como se indica en la página 71.
	Abra la cubierta del almacén de tapas. Compruebe que la tapa esté correctamente cargada.	Cargue la tapa correctamente.
	¿Está dañado el alimentador de grapas?	Reemplace el alimentador de grapas.
	¿Está debilitado o dañado el resorte de cinta?	Reemplace el resorte de cinta.
	¿El resorte de tapas está dañado o debilitado?	Reemplace el resorte de tapas.
	Compruebe que las grapas y tapas sean las correctas.	Utilice solamente las grapas y las tapas recomendadas.

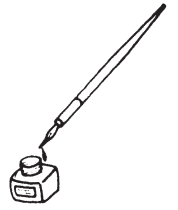
PROBLEMA	MÉTODO DE COMPROBACIÓN	SOLUCIÓN
Poca fuerza. Reciclado lento.	Compruebe la presión de aire.	Aumente la presión de aire. (No sobrepase 120 psi (8.3 bar, 8.5 kgf/cm ²))
	Controle la posición del ajustador de profundidad de engrapado.	Reajuste de acuerdo a la página 69.
	_____	Utilice lubricante para herramientas neumáticas metabo HPT
	¿Está gastada la cuchilla impulsora?	Solicite otra de reemplazo a metabo HPT.
	¿Está desgastada o dañada la junta tórica del pistón?	
¿El pistón de alimentación está dañado o gastado?		
Las grapas penetran demasiado.	Compruebe la presión de aire.	Reduzca la presión de aire. (Ajuste a 70–120 psi)
	Controle la posición del ajustador de profundidad de engrapado.	Reajuste de acuerdo a la página 69.
Omisión de grapas y tapas. Alimentación intermitente.	Compruebe que las grapas y tapas sean las correctas.	Use solo las grapas y tapas recomendadas.
	Compruebe que la tapa esté correctamente cargada.	Cargue la tapa correctamente.
	¿Está dañado el alimentador de grapas?	Reemplace el alimentador de grapas.
	Compruebe que el pistón alimenta de la forma correcta.	Reemplace el resorte o la junta tórica.
	¿Está debilitado o dañado el resorte de cinta?	Reemplace el resorte de cinta.
	¿El resorte de tapas está dañado o debilitado?	Reemplace el resorte de tapas.
	¿Está desgastada o dañada la junta tórica del pistón?	Póngase en contacto con metabo HPT para reemplazarlo.
Grapas atascadas. Las grapas se clavan dobladas.	Compruebe si las grapas son las apropiadas.	Utilice solamente las grapas recomendadas.
	¿Está gastada la cuchilla impulsora?	Póngase en contacto con metabo HPT para reemplazarla.
	¿Está dañado el alimentador de grapas?	Reemplace el alimentador de grapas.
El funcionamiento es normal, pero no es posible grapar a gran velocidad.	Compruebe el diámetro interior de la manguera de aire.	Utilice otra manguera de aire de mayor diámetro.

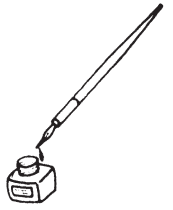




Item No.	Part Name	Q'TY
101	DEFLECTOR	1
102	BOLT ASSY	4
103	TOP CAP	1
104	O-RING	1
105	SEAL	1
106	COMPRESSION SPRING	1
107	HD.VALVE PISTON	1
108	O-RING	1
109	O-RING	1
110	PACKING	1
111	O-RING	1
112	DRIVER UNIT	1
113	O-RING	1
114	CYLINDER	1
115	CYLINDER RING	1
116	BUMPER	1
117	JOINT GUIDE	1
118	HOOK	1
119	COLLAR	1
120	O-RING	1
201	SEAL	1
202	TRIGGER VALVE HEAD	1
203	TRIGGER VALVE SPRING	1
204	TRIGGER VALVE STEM	1
205	O-RING	1
205A	O-RING	1
206	O-RING	1
207	TRIGGER VALVE GUIDE	1
208	URETHANE RETAINER	4
209	SPRING PIN	1
210	TRIGGER PIVOT PIN	1
211	TRIGGER SPRING	1
212	TRIGGER UNIT (BUMP FIRE)	1
212	TRIGGER UNIT (SEQUENTIAL FIRE)	1
301	HOUSING	1
302	O-RING	1
303	END CAP	1
304	DUST PROTECTOR	1
305	AIR PLUG	1
401	BOLT ASSY	2
402	DRIVER GUIDE COVER B	1
403	DRIVER GUIDE	1
404	LOCK HANDLE UNIT	1
405	RUBBER COVER	1
406	DRIVER GUIDE COVER A	1
407	SPIRAL PINS	1
408	FIXED PIN	1
409	HEX.SOC.HD.BOLT	2
410	PLATE	1
411	SPRING	1

Item No.	Part Name	Q'TY
412	SPRING RETAINER	1
413	ROD	1
414	SPRING A	1
415	C-RING	1
416	MOUNTING BRACKET	1
417	HEX.SOC.HD.BOLT	4
418	BRACKET PLATE	1
419	BRACKET A	1
420	BOLT ASSY	2
421	BOLT	1
422	HEX.SOC.HD.BOLT	1
423	E-RING	1
424	SNAP RING	1
425	DOOR LATCH COVER	1
426	LATCH SPRING	1
427	DOOR LATCH	1
428	PUSHER	1
429	RUBBER COVER	1
430	BRACKET B	1
431	RAIL	1
432	HEX.SOC.HD.BOLT	2
433	HALF ROUND HD.HEX.BOLT	2
434	FIX-PLATE	1
435	PUSHER	1
436	PIN	1
437	O-RING	1
438	SPRING B	1
439	PISTON BASE	1
440	INLET	1
441	PLUG	2
442	O-RING	1
443	PISTON	1
444	O-RING	1
445	SPRING	1
446	SEAL	1
447	PISTON COVER	1
448	C-RING	1
449	REEL HOLDER A	1
450	BOLT	2
451	LOCK NUT	1
452	REEL HOLDER B	1
453	TOP CAP	1
454	TRIGGER PIVOT PIN	2
455	PUSH LEVER(A)	1
456	ADJUST AXIE	1
457	PUSH LEVER(B)	1
458	RING	1
459	TRIGGER SPRING	1
460	PUSH LEVER GUIDE	1
461	LOCK NUT	1
462	HEX.SOC.HD.BOLT	1
463	HEX.SOC.HD.BOLT	1





Issued by

Koki Holdings Co., Ltd.

Shinagawa Intercity Tower A, 15-1, Konan 2-chome,
Minato-ku, Tokyo 108-6020, Japan

Distributed by

Koki Holdings America Ltd.

1111 Broadway Ave,
Braselton, Georgia, 30517

Koki Holdings America Ltd. Canadian Branch

3405 American Drive, Units 9-10,
Mississauga, ON, L4V 1T6