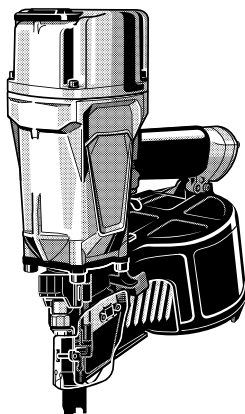


Instruction and safety manual Manuel d'instructions et de sécurité Instrucciones y manual de seguridad

Model
Modèle
Modelo

NV 83A5

Nailer
Cloueur
Clavador



DANGER

Improper use of this Nailer can result in death or serious injury!
This Manual contains important information about product safety.
Read and understand this Manual before operating the Nailer.
Never allow anyone who has not reviewed this manual to use the tool.
This manual should be stored in safe place.

DANGER

Une utilisation incorrecte et sans respecter la sécurité de ce cloueur risque d'entraîner la mort ou des blessures graves !
Ce manuel renferme des instructions importantes sur la sécurité de l'outil.
Lire et bien assimiler ce manuel avant d'utiliser le cloueur.
Cet outil ne doit jamais être utilisé par une personne n'ayant pas pris connaissance du manuel.
Ce mode d'emploi doit être conservé dans un endroit sûr.

PELIGRO

¡La utilización inadecuada e insegura de este clavador puede resultar en lesiones serias o en la muerte!
Este manual contiene información importante sobre la seguridad del producto.
Lea y entienda este manual antes de utilizar el martillo neumático.
La herramienta no deberá utilizarse sin haber leído previamente este manual.
Este manual debe ser guardado en un lugar seguro.

IMPORTANT SAFETY INFORMATION



Read and understand tool labels and all of the operating instructions, safety precautions and warnings in this manual before operating or maintaining this Nailer.
Failure to follow warnings could result in DEATH or SERIOUS INJURY

Most accidents that result from the operation and maintenance of Nailers are caused by the failure to observe basic safety rules or precautions. An accident can often be avoided by recognizing a potentially hazardous situation before it occurs, and by observing appropriate safety procedures.

Basic safety precautions are outlined in the “SAFETY” section of this Manual and in the sections which contain the operation and maintenance instructions.

Hazards that must be avoided to prevent bodily injury or machine damage are identified by DANGERS and WARNINGS on the Nailer and in this Manual.

NEVER use this Nailer for applications other than those specified in this Manual.

DEFINITIONS OF SIGNAL WORDS

DANGER indicates an imminently hazardous situation which, if not avoided, will result in death or serious injury.

WARNING indicates a potentially hazardous situation which, if not avoided, could result in death or serious injury.

CAUTION indicates a potentially hazardous situation which, if not avoided, may result in minor or moderate injury, or may cause machine damage.

NOTE emphasizes essential information.

EXPLANATION OF THE NAILING ACTION OF THE metabo HPT NAILER

- SINGLE SEQUENTIAL ACTUATION MECHANISM:
First, press the push lever against the wood; next, pull the trigger to drive the fastener.
After nailing once, nailing will not be possible again until the Trigger is released and pressed again.
- CONTACT ACTUATION MECHANISM:
First, press the push lever against the wood; next, pull the trigger to drive the fastener.
First, pull the trigger; next, press the push lever against the wood to drive the fastener.
If the Trigger is held back, a nail will be driven each time the Push Lever is pressed against the wood.
- * At shipment, this product is locked for SINGLE SEQUENTIAL ACTUATION.
See “METHODS OF OPERATION” on how to switch between mechanisms.

SAFETY

IMPORTANT SAFETY INSTRUCTIONS - FOR USING NAILERS

INSTRUCTIONS PERTAINING TO A RISK OF FIRE, ELECTRIC SHOCK, OR INJURY TO PERSONS

- **General**

To reduce the risks of electric shock, fire, and injury to persons, **READ ALL THE INSTRUCTIONS BEFORE USING THE TOOL.**

⚠ DANGER

1. OPERATORS AND OTHERS IN WORK AREA MUST WEAR EYE PROTECTION (SAFETY GLASSES WITH SIDE SHIELDS).



When operating the Nailer, always wear safety glasses with side shields, and make sure others in work area wear safety glasses, too.

Safety glasses must conform to the requirements of American National Standards Institute, ANSI Z87.1 and provide protection against flying particles both from the front and side.

Ordinary eyeglasses do not provide adequate protection.

The employer must enforce the use of safety glasses by the Nailer operator and others in work area.

2. NEVER USE REACTIVE GASES OR OTHER BOTTLED GASES. EXPLOSION MAY OCCUR.



Never use reactive gases such as oxygen, combustible gases or any other bottled gases as a power source for the Nailer.

Use of the above gases is dangerous, as the Nailer will explode.

Use only clean, dry, regulated compressed air.

⚠ WARNING

3. NEVER POINT TOOL AT YOURSELF OR OTHERS IN WORK AREA.



Always assume that the Nailer contains fasteners.

Never point the Nailer toward yourself or others, whether it contains fasteners or not.

If fasteners are mistakenly driven, it can lead to severe injuries.

Never engage in horseplay with the Nailer.

Respect the Nailer as a working implement.

4. DO NOT PLACE FINGER ON TRIGGER AND KEEP FINGERS AWAY FROM TRIGGER WHEN NOT DRIVING FASTENERS TO AVOID ACCIDENTAL DISCHARGE.

Never carry the Nailer with finger on Trigger since you could drive a fastener unintentionally and injure yourself or someone else.

Always carry the Nailer by the handle only.

5. KNOW AND UNDERSTAND WHAT TRIGGER SYSTEM YOU ARE USING.

Read and understand section titled "METHODS OF OPERATION." (pages 16-18)

6. DO NOT MAKE CONTACT WITH SAFETY TIP (PUSH LEVER) WHEN NOT DRIVING FASTENERS.

SAFETY — Continued

⚠ WARNING

When using tools, basic precautions should always be followed, including the following:

1. Work area

(1) **Keep the work area clean and well lighted.**

Cluttered benches and dark areas increase the risks of electric shock, fire, and injury to persons.

(2) **Do not operate the Nailer in explosive atmospheres, such as in the presence of flammable liquids, gases, or combustible dust.**

The Nailer is able to create sparks resulting in the ignition of the dust or fumes.

(3) **Keep bystanders, children, and visitors away while operating the Nailer.** Distractions are able to result in the loss of control of the Nailer.

2. Personal safety

(1) **Stay alert. Focus on your work and use common sense when working with the Nailer. Do not use the Nailer while tired, after having consumed drugs or alcohol, or while under the influence of medication.**

A moment of inattention while operating the Nailer increases the risk of injury to persons.

(2) **Dress properly. Do not wear loose clothing or jewelry. Contain long hair. Keep hair, clothing, and gloves away from moving parts.**

Loose clothes, jewelry, or long hair increases the risk of injury to persons as a result of being caught in moving parts.

(3) **Avoid unintentional starting. Be sure the switch is off before connecting to the air supply. Do not carry the Nailer with your finger on the switch or connect the Nailer to the air supply with the switch on.**

(4) **⚠ WARNING** – **Disconnect the Nailer from the air source before making adjustments, doing Nailer maintenance, clearing jams, touching the Push Lever, when not in use, leaving work area, leaving the Nailer outside of the operator's supervision or control, loading, or unloading the Nailer, handing it to another person, elevating, lowering or otherwise moving the Nailer to a new location.** Never attempt to clear a jam or repair the Nailer unless you have disconnected air hose from the Nailer and removed all remaining fasteners from the Nailer. The Nailer should never be left unattended since people who are not familiar with the Nailer might handle it and injure the themselves.

Such precautionary measures reduce the risk of injury to persons.

(5) **Do not overreach. Keep proper footing and balance at all times.** Proper footing and balance enables better control of the Nailer in unexpected situations.

(6) **Use safety equipment.** A dust mask, non-skid safety shoes and a hard hat must be used for the applicable conditions.

(7) **⚠ WARNING** – **Risk of hearing loss. Wear hearing protection.** Hearing protection shall have a Noise Reduction Rating (NRR) determined in accordance with US Environmental Protection Agency rules that is appropriate for noise exposure.

(8) **Always wear head protection. Always wear head protection to protect your head from flying objects.**

(9) **Do not attach the hose or Nailer to your body.** Attach the hose to the structure to reduce the risk of loss of balance if the hose shifts.

(10) **⚠ WARNING** – **Drive Nails into proper work surface only.** Do not drive nail into other nails. This is able to cause the fastener to be deflected and hit someone, or cause the Nailer to react and result in a risk of injury to persons.

3. Nailer use and care

(1) **Use clamps or another practical way to secure and support the workpiece to a stable platform.**

Holding the work by hand or against the body is unstable and is able to lead to loss of control.

(2) **Do not force the Nailer.** Use the correct Nailer for the application. The correct Nailer will do the job better and safer at the rate for which the Nailer is designed.

(3) **Do not use the Nailer if the switch does not turn the Nailer on or off.** Any Nailer that cannot be controlled with the switch is dangerous and must be repaired.

Never use Nailer which is defective or operating abnormally. If the Nailer appears to be operating unusually, making strange noises, or otherwise appears defective, stop using it immediately and arrange for repairs by a metabo HPT authorized service center.

SAFETY — Continued

⚠ WARNING

(4) **Disconnect the Nailer from the air source before making any adjustments, changing accessories, or storing the Nailer.** Such preventive safety measures reduce the risk of starting the Nailer unintentionally.

(5) **Store the Nailer when it is idle out of reach of children and other untrained persons.** A Nailer is dangerous in the hands of untrained users.

(6) **Maintain the Nailer with care.** Keep the Nailer Clean and lubricated for better and safer performance.

(7) **Check for misalignment or binding of moving parts, breakage of parts, and any other condition that may affect the Nailer's operation.**

If damaged, have the Nailer serviced before using. Because of high air pressure in the Nailer, cracks in the surface are dangerous. To avoid this, do not drop the Nailer or strike the Nailer against hard surfaces; and do not scratch or engrave signs on the Nailer. Many accidents are caused by poorly maintained Nailers. There is a risk of bursting if the Nailer is damaged.

(8) **Do not use the Nailer that is not in proper working order. Tags and physical segregation shall be used for control.**

(9) **Use only accessories that are identified by metabo HPT for the specific Nailer.** Use of an accessory not intended for use with the specific Nailer, increases the risk of injury to persons.

(10) **Use only those fasteners listed in the Accessories section of this manual.** Fasteners not identified for use with this Nailer by metabo HPT are able to result in a risk of injury to persons or Nailer damage when used in this Nailer.

4. Service

(1) **Tool service must be performed only by qualified repair personnel.**

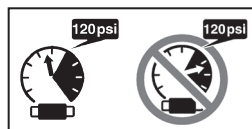
(2) **When servicing a Nailer, use only identical replacement parts. Use only authorized parts.**

(3) **Use only the lubricants supplied with the Nailer or specified by metabo HPT.**

5. Air source

(1) **Never connect to an air source that is capable of exceeding 200 psi (13.7 bar 14 kgf/cm²) if a regulator fails.**

Over pressurizing the Nailer is able to result in bursting, abnormal operation, breakage of the Nailer or serious injury to persons.



DO NOT EXCEED 120 psi (8.3 bar 8.5 kgf/cm²).

Use only clean, dry, regulated compressed air at the rated pressure or within the rated pressure range as marked on the Nailer.

Always verify prior to using the Nailer that the air source has been adjusted to the rated air pressure or within the rated air-pressure range.

(2) **Never use reactive gases such as oxygen, carbon dioxide, combustible gases or any bottled gas as an air source for the Nailer.** Such gases are capable of explosion and serious injury to persons.

6. Others

(1) **Before starting work, check the nailing operation switching device.**

This metabo HPT nailer includes a nailing operation switching device.

Before starting work, check the setting of the operation switching device.

If the switching device is not set properly, the Nailer will not operate correctly.

(2) **Always select the switching device that is appropriate to the application and the training of the operator.**

(3) **When switching between SINGLE SEQUENTIAL and CONTACT, disconnect the air hose and remove all nails.**

(4) **When the hook is attached, operate only with SINGLE SEQUENTIAL ACTUATION MECHANISM and not with CONTACT ACTUATION MECHANISM.**

(5) **Be careful of double fire and being hit by the Nailer due to spring back ("recoil").** After driving a nail, the Nailer may recoil causing it to move away from the work surface.

To reduce risk of injury always manage recoil by:

- 1) always maintaining control of the Nailer.
- 2) allowing recoil to move the Nailer away from work surface.

SAFETY — Continued

⚠ WARNING

- 3) not resisting recoil such that the Nailer will be forced back into the work surface. In “CONTACT ACTUATION MECHANISM”, if push lever is allowed to re-contact work surface before the trigger is released, an unintended discharge of a nail will occur. In order to avoid this undesirable double fire,
- Intermittent operation (Trigger fire)
 - ① Set the switching device to SINGLE SEQUENTIAL ACTUATION MECHANISM.
 - ② Pull the trigger rapidly and firmly.
 - Continuous operation (Push lever fire)
 - ① Set the switching device of the Trigger Assembly (Black Trigger) to CONTACT ACTUATION. Or, change to the included Trigger (A) (Silver Trigger).
 - ② Do not press the Nailer against the wood with excessive force.
 - ③ Separate the Nailer from the wood as it recoils after nailing.
- 4) keeping face and body parts away from the Nailer.
- (6) Never Use NON relieving coupler on Nailer.** If a non relieving coupler is used on the Nailer, the Nailer can remain charged with air after disconnecting and thus will be able to drive a fastener even after disconnecting. The Nailer and air hose must have a hose coupling such that all pressure is removed from the Nailer when the coupling joint is disconnected.
- (7) Check Push Lever before use.** Make sure the Push Lever operates properly, and is not inoperable, disconnected, or altered. (The Push Lever may be called “Safety”.) Never use the Nailer unless the Push Lever is operating properly, otherwise the Nailer could drive a fastener unexpectedly. Do not tamper with or remove the Push Lever, or otherwise cause the Push Lever to become inoperable.
- (8) Keep all screws and covers tightly in place.** Keep all screws and covers tightly mounted. Check their condition periodically. Never use the Nailer if parts are missing or damaged.
- (9) Do not load fasteners with Trigger or Push Lever depressed.** When loading fasteners into the Nailer or when connecting the air hose,
- 1) do not depress the Trigger;
 - 2) do not depress the Push Lever; and
 - 3) keep the Nailer pointed downward.
- (10) Keep hands and body away from firing head during use.** Never place your hands or feet closer than 8 inches (200 mm) from the firing head. A serious injury can result if the fasteners are deflected by the workpiece, or are driven away from the point of entry.
- (11) When working close to an edge of a workpiece or at steep angles, or driving fasteners into thin workpiece use care to minimize chipping, splitting or splintering, or free flight, ricochet or piercing of fasteners, which may cause injury.**
- (12) Never drive fasteners from both sides of a wall at the same time.** The fasteners can be driven into and through the wall and hit a person on the opposite side.
- (13) Use extra caution when driving the Nailer into existing walls or other blind areas to prevent contact with hidden objects or persons on other side (eg., wires, pipes).**
- (14) Check for live wires.** Avoid the risk of severe electrical shock by checking for live electrical wires that may be hidden by walls, floors or ceilings. Turn off the breaker switch to ensure there are no live wires.
- (15) Do not lift, pull or lower the Nailer by the hose.**
- (16) Do not disconnect air hose from Nailer with finger on Trigger.** The Nailer can fire when re-connected to An air supply.
- (17) Handle Nailer correctly.** Operate the Nailer according to this Manual. Never allow the Nailer to be operated by children, individuals unfamiliar with its operation or unauthorized personnel.
- (18) Never use Nailer for applications other than those specified in this manual.**
- (19) Never modify or alter a Nailer.** Doing so may cause it to malfunction and personal injuries may result.
- (20) Do not remove Dust Cover.** Fragments of wire collating fasteners can fly out.
- (21) Close Nail Guide and do not open it during operation.** If driving fasteners with the Nail Guide open, the fasteners can be driven away from the workpiece.
- (22) Disconnect the air hose when affixing the hook.**
- (23) Do not affix the hook on high or unstable locations. Also, do not affix it to the body, clothing, belt or other personal items.**
- (24) When reassembling the trigger to a contact actuation trigger while the hook already attached, remove the hook.**

SAFETY — Continued

RESPONSIBILITIES OF EMPLOYER, TOOL OWNER AND TOOL OPERATOR

1. Ensure that this MANUAL is available to operators and personnel performing maintenance.
2. Select an appropriate switching device considering the applications for which the Nailer is used.
3. Train the operator in the safe use of the Nailer as described in this MANUAL.
4. Ensure that only persons who have read and understand this MANUAL operate the Nailer.
5. Ensure that Nailers are used only when operators and others in work area are wearing EYE PROTECTION, and other appropriate personal protective equipment such as HEAD, HEARING, FOOT PROTECTION.
6. Enforce the use of EYE PROTECTION by operators and others in work area.
7. Ensure that Nailers are kept in safe working order as described in this MANUAL.
8. Maintain Nailers properly.
9. Ensure that only qualified personnel shall repair Nailers.
10. Ensure that Nailers that require repair are removed from service and that tags and physical segregation are used as a means of control.

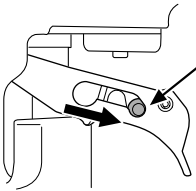
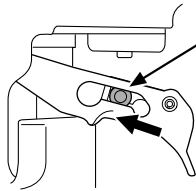
**SAVE THIS MANUAL AND
KEEP IT AVAILABLE FOR OTHERS!**

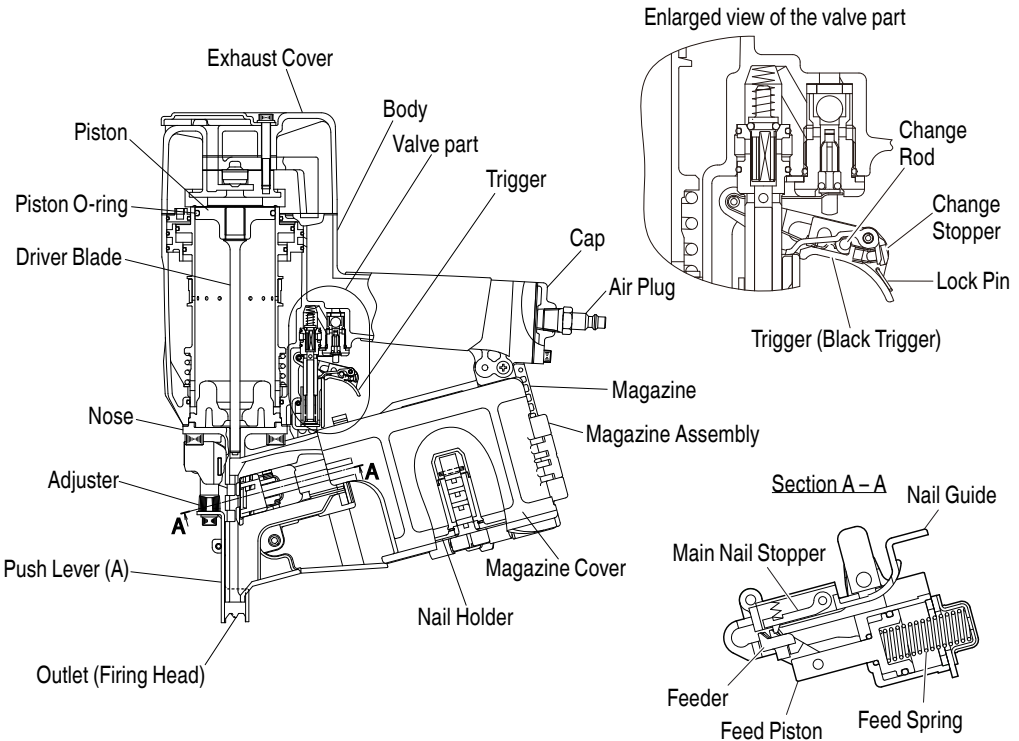
OPERATION

NOTE: The information contained in this Manual is designed to assist you in the safe operation of the Nailers.

Some illustrations in this Manual may show details or attachments that differ from those on your own Nailers.

NAME OF PARTS

Nailing operation switching device	
 <p style="text-align: center;">Position of Change Rod</p>	 <p style="text-align: center;">Position of Change Rod</p>
SINGLE SEQUENTIAL ACTUATION MECHANISM	CONTACT ACTUATION MECHANISM
<ul style="list-style-type: none"> ● When the lock pin is attached, the tool is fixed to SINGLE SEQUENTIAL ACTUATION. ● To operate in CONTACT ACTUATION, the lock pin should be removed by following the steps in "How to Remove the Lock Pin" provided in the "METHODS OF OPERATION". 	



Enlarged view of the valve part

Labels for the main diagram include: Exhaust Cover, Piston, Piston O-ring, Driver Blade, Nose, Adjuster, Push Lever (A), Outlet (Firing Head), Body, Valve part, Trigger, Cap, Air Plug, Magazine, Magazine Assembly, Magazine Cover, Nail Holder, and Nail Guide.

Labels for the enlarged valve part include: Change Rod, Change Stopper, Lock Pin, and Trigger (Black Trigger).

Labels for the Section A-A detail include: Main Nail Stopper, Feeder, Feed Piston, and Feed Spring.

SPECIFICATIONS

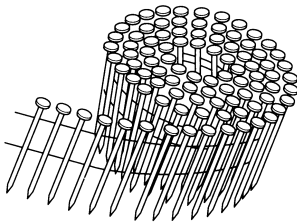
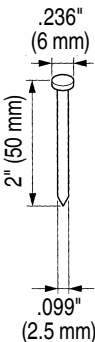
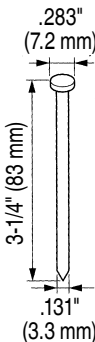
Operating pressure	70–120 psi (4.9–8.3 bar 5–8.5 kgf/cm ²)
Dimensions Length x Height x Width	12-13/32" x 13-11/16" x 5-13/32" (315 mm x 348 mm x 137 mm)
Weight	8.8 lbs (4.0 kg) (Without Hook)
Nail capacity	200–300 nails (1 coil)
Air consumption	.088 ft ³ /cycle at 100 psi (2.5 ltr/cycle at 6.9 bar) (2.5 ltr/cycle at 7 kgf/cm ²)
Air inlet	3/8 NPT Thread

NAIL SELECTION

⚠ WARNING

- Be sure to use only the genuine metabo HPT nails for the NV83A5. The use of any other nails can result in tool malfunction and/or nail breakdown, leading to serious injuries.

Only nails shown in the Table below can be driven with this Nailer.

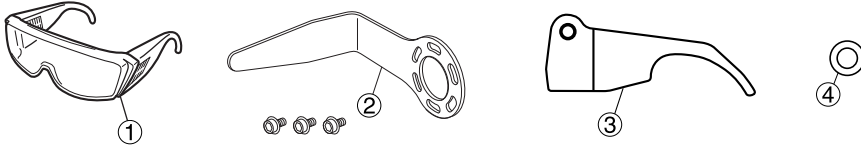
	Min.	Max.
 <p>Wire-collated coil nails</p>	 <p>.236" (6 mm)</p> <p>2" (50 mm)</p> <p>.099" (2.5 mm)</p>	 <p>.283" (7.2 mm)</p> <p>3-1/4" (83 mm)</p> <p>.131" (3.3 mm)</p>

ACCESSORIES

⚠ WARNING

- Accessories other than those shown below can lead to malfunction and resulting injuries.

STANDARD ACCESSORIES



① Eye protection	1
② Hook	1
③ Trigger (A) (Contact Actuation Trigger/Color: Silver)	1
④ Shaft Ring	1

OPTIONAL ACCESSORIES... sold separately

- Pneumatic Tool Lubricant
 - 1.0 oz. (30 cc) oil feeder (Code No. 877153)
 - 4 oz. (120 cc) oil feeder (Code No. 874042)
 - 1 quart (1 ltr) can (Code No. 876212)

NOTE: Accessories are subject to change without any obligation on the part of metabo HPT.

APPLICATIONS

- Construction wooden work such as floor and wall framing, roof decking, subflooring.
- Mobile and modular home construction.
- Making wooden boxes, palettes, and drums.
- Packing operations in manufacturing plants, and other types of packing and crating work in general.

BEFORE OPERATION

Read section titled "SAFETY" (pages 3-7).

Make sure of the followings before operation.

WORKING ENVIRONMENT

⚠ WARNING

- No flammable gas, liquid or other flammable objects at worksite.
- Clear the area of children or unauthorized personnel.

AIR SUPPLY

⚠ DANGER



- NEVER use reactive gases or other bottled gases. Explosion may occur.

⚠ WARNING

- Never connect Nailer to pressure which potentially exceeds 200 psi (13.7 bar 14 kgf/cm²) if a regulator fails.
 - Never use non relieving coupler on Nailer.
1. Power source
 - Use only clean, dry, regulated compressed air as a power source for this Nailer.
 - Air compressors used to supply compressed air to this Nailer must comply with the requirements of the latest version of ANSI Standard B 19.3 "Safety Standard For Compressors For Process Industries."
 - Moisture or oil in the air compressor may accelerate wear and corrosion in the Nailer. Drain daily.

2. Filter-Regulator-Lubricator

- Use a regulator with a pressure range of 0–120 psi (0–8.3 bar 0–8.5 kgf/cm²).
- Filter-regulator-lubricator units supply an optimum condition for the Nailer and extend the Nailer life. These units should always be used.

FilterThe filter removes moisture and dirt mixed in compressed air.

Drain daily unless fitted with an automatic drain.

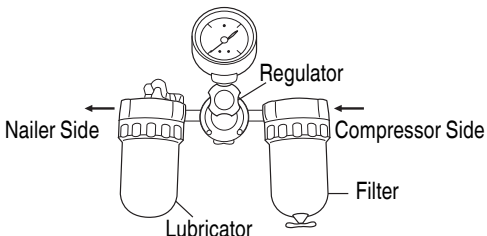
Keep the filter clean by regular maintenance.

Regulator.....The regulator controls the operating pressure for safe operation of the Nailer. Inspect the regulator before operation to be sure it operates properly.

LubricatorThe lubricator supplies an oil mist to the Nailer.

Inspect the lubricator before operation to be sure the supply of lubricant is adequate.

Use metabo HPT pneumatic tool lubricant.



3. Air hose

Compressed air supply hoses shall have a minimum working pressure rating equal to or greater than the pressure from the power source if a regulator fails, or 150 psi (10.4 bar 10.6 kgf/cm²), whichever is greater.

4. Air consumption

Using the Air consumption table and the Air compressor size formula, find a correct compressor size.

Air consumption table

Operating pressure	psi	80	90	100
	(bar) (kgf/cm ²)	(5.5) (5.6)	(6.2) (6.3)	(6.9) (7)
Air consumption	ft ³ /cycle	.062	.075	.088
	(ltr/cycle)	(1.7)	(2.1)	(2.5)

Air compressor size formula

Amount of air required

=number of Nailers

× average nails driven each minute per Nailer

× air consumption at given air pressure

× safety factor (always 1.2)

Example: 2 Nailers operating at 100 psi driving 30 nails per minute

Amount of air required

=2 × 30 × .088 (2.5) × 1.2

=6.3 CFM (ft³/min) (180 ltr/min)

After making the calculations as shown above, you should find a compressor providing 6.3 CFM of air that is required.

LUBRICATION

It is important that the Nailer be properly lubricated.

Without proper lubrication, the Nailer will not work properly and parts will wear prematurely.

- Use metabo HPT pneumatic tool lubricant.

Do not use detergent oil or additives. These lubricants will harm the O-rings and other rubber parts. This will cause the Nailer to malfunction.

- Filter-regulator-lubricator units should always be used.

Keep the lubricator filled with metabo HPT pneumatic tool lubricant.

- If a lubricator is not available, supply 5–10 drops of metabo HPT pneumatic tool lubricant into the air plug on the Nailer twice a day.

COLD WEATHER CARE

- Do not store the Nailer in a cold weather environment. Keep the Nailer in a warm area until beginning the work.

- If the Nailer is already cold, bring it in a warm area and allow the Nailer to warm up before use.

① Reduce the air pressure to 64 psi (4.4 bar 4.5 kgf/cm²).

② Remove all nails from the Nailer.

③ Connect the air hose and free-fire (blank-fire) the Nailer.

The lowered air pressure will be enough to free-fire the Nailer.

Slow speed operation tends to warm up the moving part.

⚠ CAUTION

- Do not free-fire the Nailer at high pressure.

TESTING THE NAILER

⚠ DANGER



- Operators and others in work area **MUST wear safety glasses with side shields which conforms to ANSI Z87.1 specifications. Ordinary eyeglasses do not provide adequate protection.**

⚠ WARNING

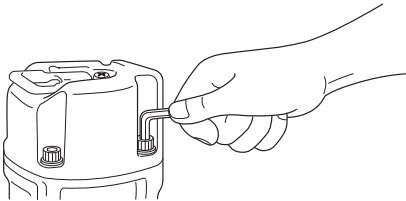
- **Never use Nailer unless push lever is operating properly.**

Before actually beginning the nailing work, test the Nailer by using the checklist below. Conduct the tests in the following order.

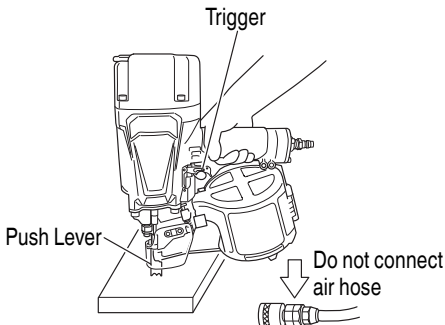
If abnormal operation occurs, stop using the Nailer and contact a metabo HPT authorized service center immediately.

- (1) **DISCONNECT AIR HOSE FROM NAILER. REMOVE ALL NAILS FROM NAILER.**

- ALL SCREWS MUST BE TIGHTENED.**
If any screws are loose, tighten them.



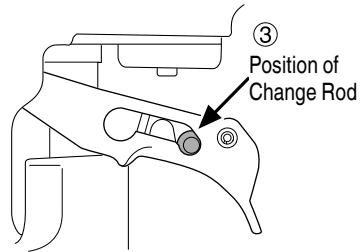
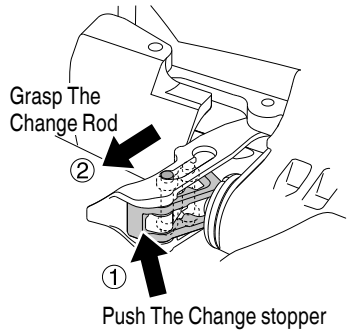
- THE PUSH LEVER AND TRIGGER MUST MOVE SMOOTHLY.**



- (2) **REMOVE ALL NAILS FROM NAILER. DO NOT push or rest Push Lever against any surface. DO NOT FORCE OR USE TOOLS TO OPERATE SWITCH.**

Select **SINGLE SEQUENTIAL ACTUATION MODE** according to the following steps.

- ① Open the change stopper by pushing the bottom of trigger.
- ② Grasp the change rod between two fingers (one on each side of the trigger) and slide it down (Single Sequential Actuation Mode.)
- ③ Confirm that the change stopper has completely returned to original position inside the trigger. (SINGLE SEQUENTIAL ACTUATION MECHANISM).

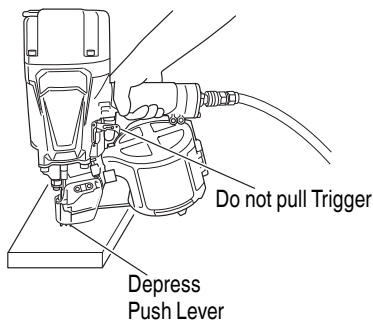


- (3) **Adjust the air pressure to 70 psi (4.9 bar 5 kgf/cm²). Connect the air hose.**

- THE NAILER MUST NOT LEAK AIR.**

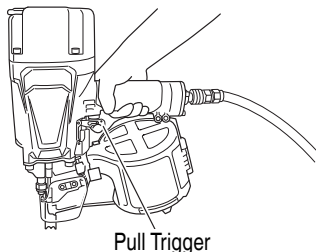
- (4) Remove the finger from the trigger and press the push lever against the wood.

THE NAILER MUST NOT OPERATE.



- (5) Separate the push lever from the wood. Next, point the nailer downward, pull the trigger and then wait in that position for 5 seconds or longer.

THE NAILER MUST NOT OPERATE.



- (6) First pull the Trigger. Next, depress the Push Lever against the wood.

THE NAILER MUST NOT OPERATE.

- (7) Without touching the Trigger, depress the Push Lever against the wood. Next, pull the Trigger.

THE NAILER MUST OPERATE.

If the lock pin is left, skip (8) through (10) and proceed from (11).

→ If the lock pin is attached, the unit can be operated in SINGLE SEQUENTIAL ACTUATION MECHANISM.

- (8) Disconnect the air hose. REMOVE ALL NAILS FROM NAILER.

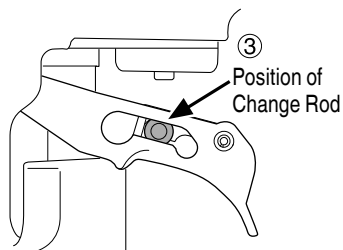
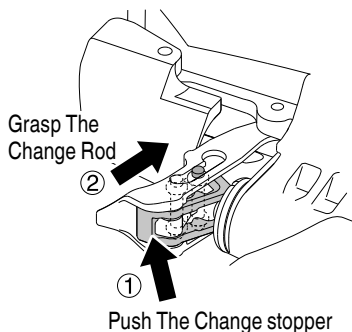
Remove the hook if it is attached.

→ When the hook is attached, do not operate with CONTACT ACTUATION MECHANISM.

DO NOT push or rest Push Lever against any surface. DO NOT FORCE OR USE ANY TOOLS TO OPERATE SWITCH.

Select CONTACT ACTUATION MODE according to the following steps.

- ① Open the change stopper by pushing the bottom of trigger.
- ② Grasp the change rod between two fingers (one on each side of the trigger) and slide it up (Contact Actuation Mode.)
- ③ Confirm that the change stopper has completely returned to original position inside the trigger. (CONTACT ACTUATION MECHANISM).



- (9) Adjust air pressure to 70 psi (4.9 bar 5 kgf/cm²). Connect the air hose.

THE NAILER MUST NOT LEAK AIR.

- (10) With the Nailer off the wood, pull the Trigger. Next, depress the Push Lever against the wood.

THE NAILER MUST OPERATE.

(11) Next, depress the Push Lever against the workpiece. Now pull the Trigger.

☐ THE NAILER MUST OPERATE.

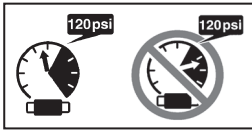
(12) If no abnormal operation is observed, you may load nails in the Nailer.

Drive nails into the workpiece that is the same type to be used in the actual application.

☐ THE NAILER MUST OPERATE PROPERLY.

ADJUSTING AIR PRESSURE

⚠ WARNING



● Do not exceed 120 psi (8.3 bar 8.5 kgf/cm²).

Adjust the air pressure at recommended operating pressure 70–120 psi (4.9–8.3 bar 5–8.5 kgf/cm²) according to the length of nails and the hardness of workpiece.

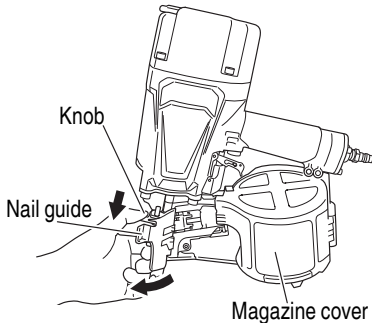
The correct air pressure is the lowest pressure which will do the job. Using the Nailer at a higher than required air pressure unnecessarily over stresses the Nailer.

LOADING NAILS

⚠ WARNING

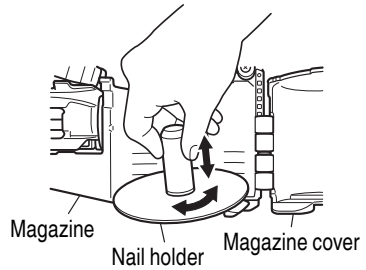
- When loading nails into Nailer,
 - 1) do not pull trigger;
 - 2) do not depress push lever; and
 - 3) keep Nailer pointed downward.

(1) Grip the nail guide and knob with finger. Press the knob down and swing the nail guide open. And open the magazine cover.



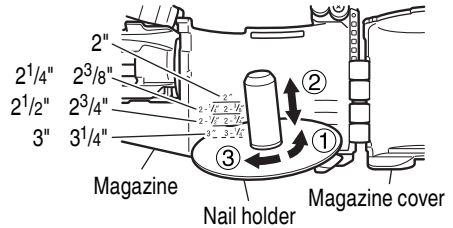
(2) Adjust the position of the plate according to the nail length.

The nail will not feed smoothly if the plate is not correctly adjusted.

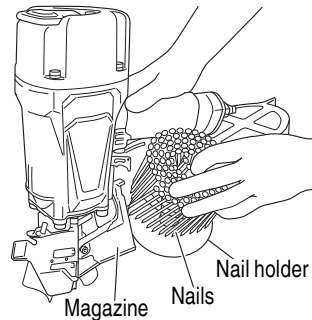


NOTE: Before loading nails in the magazine, adjust the plate. If the magazine cover is forcibly closed without adjusting the plate correctly, the nail holder may be damaged.

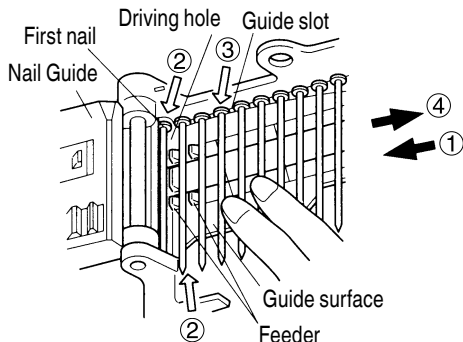
- ① Turn the nail holder about 90 degrees counterclockwise.
- ② Slide in vertical direction possible. Lift or lower the nail holder to accept different length nails.
- ③ Adjust the plate to the nail length reference points on the magazine cover and turn the nail holder 90 degrees clockwise until you hear "click".



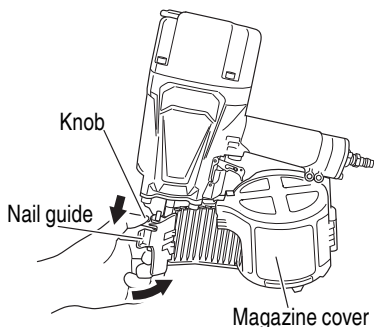
(3) Place the nail coil into the magazine. Uncoil enough nails to reach the driving hole.



- (4) ① Uncoil enough nails to reach the driving hole.
 ② Insert the first nail into the driving hole and the second nail between the two pawls of the feeder.
 ③ Fit the nail heads in the guide slot.



- ④ Pulling the nails to the right, swing the nail guide closed.
 (5) Close the magazine cover first and swing the nail guide closed.



NOTE: Be careful not to deform the collated wires and not to disengage the nails with the guide surface. Otherwise, the nail guide will not close correctly.

- (6) Lock the knob correctly.

NAILER OPERATION

Read section titled “SAFETY” (pages 3–7).

⚠ DANGER



- Operators and others in work area **MUST** wear safety glasses with side shields which conforms to ANSI Z87.1 specifications. Ordinary eyeglasses do not provide adequate protection.

⚠ WARNING



- Only person who have read and understand this MANUAL should operate the Nailer.
- NEVER point tool at yourself or others in work area.
- Keep fingers AWAY from trigger when not driving nails to avoid accidental discharge.
- Know and understand what trigger system you are using. Please read and understand “Methods of Operation” below.
- Inspect the Nailer before operating to determine actuation system. Before starting work, check the nailing operation switching device. This metabo HPT nailer includes a nailing operation switching device. Before starting work, make sure that the switching device is properly set. If the switching device is not set properly, the nailer will not operate correctly.
- Never place your hands or body closer than 8 inches (200 mm) from firing head when using.
- Do not drive nails into other nails; nails can ricochet and hurt someone.
- Do not actuate Nailer unless Nailer is placed firmly against the workpiece.
- When working close to an edge of a workpiece or at steep angles, or driving fasteners into thin workpiece use care to minimize chipping, splitting or splintering, or free flight, ricochet or piercing of fasteners, which may cause injury.
- Never drive nails from both sides of a wall at the same time. Nails can be driven into and through the wall and hit a person on the opposite side.
- Never use Nailer which is defective or operating abnormally.
- Do not use Nailer as hammer.
- Disconnect air hose from Nailer when:
 - 1) it is not in use;
 - 2) leaving work area;
 - 3) elevating, lowering or otherwise moving it to another location;
 - 4) handing it to another person;
 - 5) When removing the lock pin.
 - 6) changing switching device;
 - 7) performing any maintenance or repairs;
 - 8) clearing a jam;

- 9) Nailer is outside of the operator's supervision or control;
- 10) removing nails from the magazine;
- 11) adjusting nailing depth; and
- 12) When installing or removing the hook
- 13) When affixing the hook

This metabo HPT nailer is equipped with a nailer operation switching device.

Use SINGLE SEQUENTIAL ACTUATION MECHANISM or CONTACT ACTUATION MECHANISM in accordance with the work to be performed.

NOTE:

- The CONTACT ACTUATION MECHANISM can also be operated by changing to the included Trigger (A) (Silver Trigger).
For details, see "CONTACT ACTUATION TRIGGER (Silver Trigger)" on a later page.

Explanation of the various nailing operations

- SINGLE SEQUENTIAL ACTUATION MECHANISM:
First, press the push lever against the wood; next, pull the trigger to drive the nail.
After nailing once, nailing will not be possible again until the trigger is released and pressed again.
- CONTACT ACTUATION MECHANISM: First, press the push lever against the wood; next, pull the trigger to drive the nail. Or, pull the trigger; next, press the push lever against the wood to drive the nail.
If the trigger is held back, a nail will be driven each time the push lever is pressed against the wood.

METHODS OF OPERATION

This Nailer is equipped with the push lever and does not operate unless the push lever is depressed (upward position).

There are two methods of operation to drive nails with this Nailer.

They are:

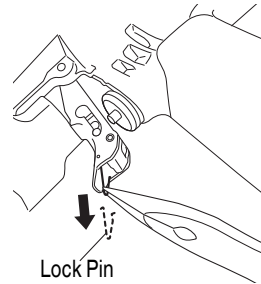
1. Intermittent operation (Trigger fire);
2. Continuous operation (Push lever fire):

How to Remove the Lock Pin

- When shipped, the tool's drive mode is locked to SINGLE SEQUENTIAL ACTUATION MECHANISM with the lock pin.
- By removing the lock pin as shown below, the tool can be switched between SINGLE SEQUENTIAL ACTUATION and CONTACT ACTUATION.

⚠ WARNING

- When removing the lock pin, disconnect the air hose from the tool and remove all nails.
- Please be warned that the once the lock pin is removed, the SINGLE SEQUENTIAL ACTUATION and CONTACT ACTUATION switch function will be activated.
- Use a pair of pliers like the one shown below to pull off the lock pin.



⚠ CAUTION

- The lock pin should be discarded after removal.
- (1) Intermittent operation (Trigger fire)
Use the SINGLE SEQUENTIAL ACTUATION MECHANISM setting.

⚠ WARNING

- For intermittent operation, set the change Rod as shown in the figure below. (i.e. Set to SINGLE SEQUENTIAL ACTUATION MECHANISM.)
 - To avoid double firing or accidental firing due to recoil.
 - 1) Set the switching device to SINGLE SEQUENTIAL ACTUATION MECHANISM.
 - 2) Pull the trigger rapidly and firmly.
- ① Follow the steps below to set up the SINGLE SEQUENTIAL ACTUATION MECHANISM (as shown in the diagrams that follow).

⚠ WARNING

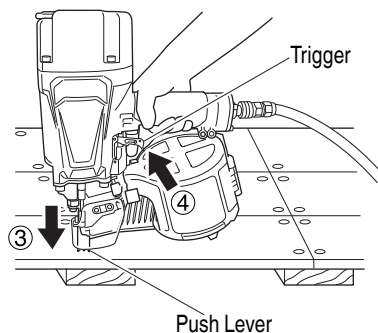
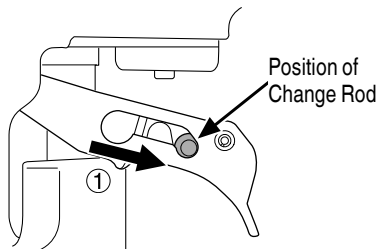
- Disconnect the air hose and remove all nails.
- Do not depress the push lever.
- Do not apply any unnecessary pressure or use any tools to move the switch.

- Do not press the change stopper for any other purpose other than to switch between SINGLE SEQUENTIAL ACTUATION and CONTACT ACTUATION.

- 1) If the lock pin is left, skip 2) through 3) and proceed from 4).
- 2) Press the bottom of the trigger and open the change stopper.
- 3) Grasp the change rod between two fingers and slide it downwards.
(Sets the SINGLE SEQUENTIAL ACTUATION MECHANISM)
- 4) Make sure that the change rod is in its proper position as shown in the diagram.
(If not, the tool may be set in the CONTACT ACTUATION MECHANISM.)

- ② Position the nail outlet on the workpiece with finger off the trigger.
- ③ Depress the push lever firmly until it is completely depressed.
- ④ Pull the trigger to drive a nail.
- ⑤ Remove finger from the trigger.

To continue nailing in a separate location, move the nailer along the wood, repeating steps ② – ⑤ as required.



⚠ WARNING

- A nail will fire each time the trigger is depressed as long as the push lever remains depressed.
- (2) Continuous operation (Push lever fire)
Using CONTACT ACTUATION MECHANISM

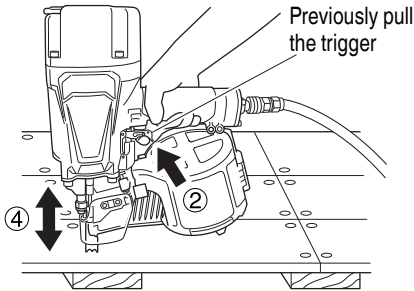
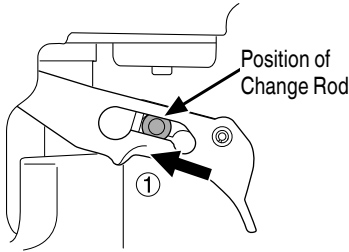
⚠ WARNING

- To avoid double firing or accidental firing due to recoil.
 - 1) Do not press the nailer against the wood with excessive force.
 - 2) Separate the nailer from the wood as it recoils after nailing.
 - If the hook is affixed, do not operate with CONTACT ACTUATION MECHANISM.
- ① Follow the steps below to set up the CONTACT ACTUATION MECHANISM (as shown in the diagrams that follow).

⚠ WARNING

- Disconnect the air hose and remove all nails.
 - Do not depress the push lever.
 - Do not apply any unnecessary pressure or use any tools to move the switch.
 - Do not press the change stopper for any other purpose other than to switch between SINGLE SEQUENTIAL ACTUATION and CONTACT ACTUATION.
 - 1) Remove the lock pin if it is still attached.
See “How to Remove the Lock Pin” in the “METHODS OF OPERATION”.
 - 2) Press the bottom of the trigger and open the change stopper.
 - 3) Grip the change rod between two fingers and slide it upwards.
(Sets the CONTACT ACTUATION MECHANISM)
 - 4) Make sure that the change rod is in its proper position in the trigger as shown in the diagram.
(If not, the tool may not operate properly.)
- ② Pull the trigger with the Nailer off the workpiece.
 - ③ Depress the push lever against the workpiece to drive a nail.
 - ④ Move the Nailer along the workpiece with a bouncing motion.
Each depression of the push lever will drive a nail.

As soon as the desired number of nails have been driven, remove finger from the trigger.



⚠ WARNING

- Keep your finger off the trigger except during fastening operation, because serious injury could result if the push lever accidentally contacts you or others in work area.
- Keep hands and body away from the discharge area. This metabo HPT nailer may bounce from the recoil of driving a fastener and unwanted subsequent fastener may be driven, possibly causing injury.
- Some types of loaded nails can spark out of the muzzle during a nail driving operation. Exercise caution!

The SINGLE SEQUENTIAL ACTUATION MECHANISM is for use where precision fastener placement is desired.

The SINGLE SEQUENTIAL ACTUATION MECHANISM may reduce the possibility of bodily injury to you or others in the work area compared to the CONTACT ACTUATION MECHANISM. **This is because it is less likely to drive an unwanted nail if you keep the trigger pulled and accidentally bump the push lever against yourself or others.**

The SINGLE SEQUENTIAL ACTUATION MECHANISM may also reduce the speed of operation compared to the CONTACT ACTUATION MECHANISM. The SINGLE SEQUENTIAL ACTUATION MECHANISM is recommended to inexperienced users.

NOTE:

- If all warnings and instructions are followed, safe operation is possible with two systems: SINGLE SEQUENTIAL ACTUATION MECHANISM and CONTACT ACTUATION MECHANISM.
- Always handle nails and package carefully. If nails are dropped, collating wire may be broken.
- After nailing:
 - 1) disconnect air hose from the Nailer;
 - 2) remove all nails from the Nailer;
 - 3) supply 5–10 drops of metabo HPT pneumatic tool lubricant into the air plug on the Nailer; and
 - 4) open the petcock on the air compressor tank to drain any moisture.

ADJUSTING THE NAILING DEPTH

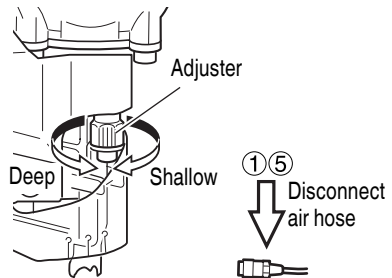
⚠ WARNING

- Disconnect the air hose from the nailer before turning the adjuster.

To assure that each nail penetrates to the same depth, be sure that:

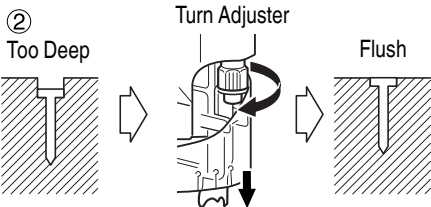
- 1) the air pressure to the Nailer remains constant (regulator is installed and working properly), and
 - 2) the Nailer is always held firmly against the workpiece.
- If nails are driven too deep or shallow into the workpiece, adjust the nailing in the following order.

① DISCONNECT AIR HOSE FROM NAILER

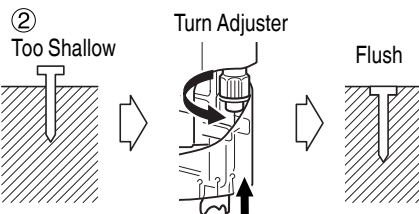


- ② If nails are driven too deep, turn the adjuster to the shallow side.

Adjustments are in half-turn increments.



If nails are driven too shallow, turn the adjuster to the deep side.



- ③ Stop turning the adjuster when a suitable position is reached for a nailing test.
 ④ Connect the air hose.
ALWAYS WEAR EYE PROTECTION.
 Perform a nailing test.
 ⑤ **DISCONNECT AIR HOSE FROM NAILER.**
 ⑥ Choose a suitable position for the adjuster.

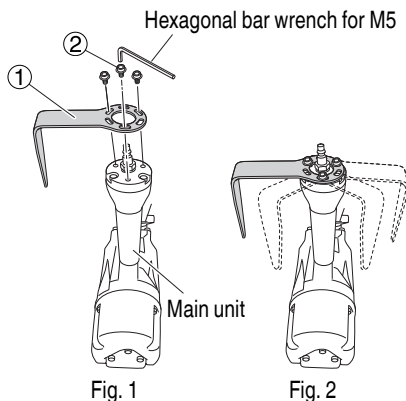
RAFTER HOOK

With the NV83A5, an included hook can be attached by using three M5 × 16 flange bolts which are included with the tool. When the tool is detached from the hose and not in use, the hook can be used to store the unit.

⚠ WARNING

- When attaching or detaching the hook, make sure the hose is detached and the nails are removed from the tool.

- (1) How to attach the hook



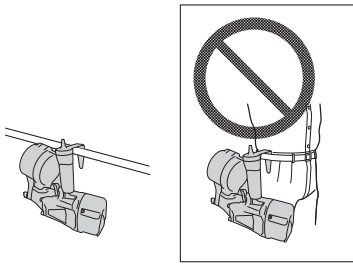
- When attaching, use a hexagonal bar wrench for M5 (separate).
- Fix the hook (①) to the main unit in three locations using the M5 × 16 flange bolts (②) (Fig. 1).

Fastening Torque		
8.3±0.5 N·m	6.1±0.4 ft.lbs	85±5 kgf·cm

- The hook can be attached in any direction. Adjust the hook according to the operating environment (Fig. 2).
- (2) How to detach the hook
 Detach the hook by reversing the aforementioned steps for attaching the hook.

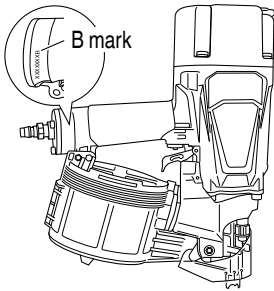
⚠ WARNING

- When the hook is attached, operate only with **SINGLE SEQUENTIAL ACTUATION MECHANISM** and not with **CONTACT ACTUATION MECHANISM**. For switching between **SINGLE SEQUENTIAL** and **CONTACT**, see the appropriate section in “METHODS OF OPERATION”.
- Disconnect the air hose when hook the unit.
- Do not hook on high or unstable locations. Also, do not hook it to the body, clothing, belt or other personal items.
- When reassembling the trigger to a contact actuation trigger while the hook already attached, remove the hook.



CONTACT ACTUATION TRIGGER (Silver Trigger)

The Contact Actuation Trigger (Silver Trigger) can only be used with bodies that have a “B” mark imprinted next to the body’s Serial Number. It cannot be used with bodies not imprinted with the “B” mark.



If the Trigger Assembly (Black Trigger) that is attached to the nailer is changed to the Trigger (A) (Silver Trigger), then the nailer becomes only capable of operation using the CONTACT ACTUATION MECHANISM that is explained in the “NAILER OPERATION” section. Operation using the SINGLE SEQUENTIAL ACTUATION MECHANISM will no longer be possible. The operating method for the CONTACT ACTUATION MECHANISM is as described in ① and ② below.

- ① First, press the push lever against the wood; next, pull the trigger to drive the nail.
 - ② First, pull the Trigger; next, press the push lever against the workpiece to drive the nail.
- If the trigger is held back, a nail will be driven each time the push lever is pressed against the workpiece.

⚠ WARNING

- When performing the reassembly work to change from the Trigger Assembly (Black Trigger) to the Trigger (A) (Silver Trigger), be sure to detach the air hose, and remove all nails from the inside of the nailer.

- To use SINGLE SEQUENTIAL ACTUATION MECHANISM again, it is necessary to change back to the original Trigger Assembly (Black Trigger). In order to change back to the original Trigger Assembly (Black Trigger), be sure to bring the nailer to the store where it was purchased or to a metabo HPT authorized service center to request the exchange work.
- To avoid double firing or accidental firing due to recoil:
 - 1) Do not press the nailer against the workpiece with excessive force.
 - 2) Separate the nailer from the workpiece as it recoils after nailing.

- (1) Removing the Trigger Assembly (Black Trigger)
Required tools: Small flat-head screwdriver
Remove the Spring and Shaft Ring, pull out the Trigger Pin, and remove the Trigger Assembly (Black Trigger).

However, attention should be given to the following points.

- Disconnect the air hose.
REMOVE ALL NAILS FROM NAILER.
 - Use a small flat-head screwdriver to remove the Shaft Ring.
 - Tapping the Trigger Pin to pull it out may cause the Shaft Ring to break.
 - When removing the Trigger Assembly (Black Trigger), the Spring may become detached.
 - When disassembling, be careful that the Trigger Plunger does not fall off. If it does fall off, check the following. Check that there is no foreign matter adhered to the Trigger Plunger, and if there is foreign matter, remove it. Refer to the “Enlarged view of the valve part” in a previous section, and reinstall the Trigger Plunger.
 - Store the disassembled Trigger Assembly (Black Trigger) and Spring in a safe place. They will be needed when restoring to the original Trigger Assembly (Black Trigger).
Also, do not re-use the disassembled Shaft Ring; replace it with a new one.
- Furthermore, when restoring to the original Trigger Assembly (Black Trigger), be sure to have the work performed by the store where the nailer was purchased or by a metabo HPT authorized service center.

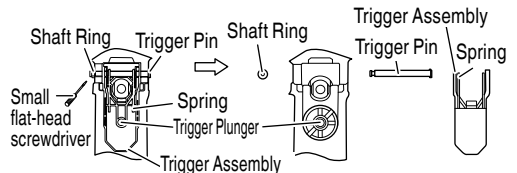


Fig. 3

- (2) Assembly of Trigger (A) (Silver Trigger)
 Assembly can be accomplished by the procedure indicated by Fig. 4.

However, attention should be given to the following points.

As shown in Fig. 4, pass the Trigger Pin firmly through the hole of the Trigger (A), and install the Shaft Ring on the Trigger Pin.

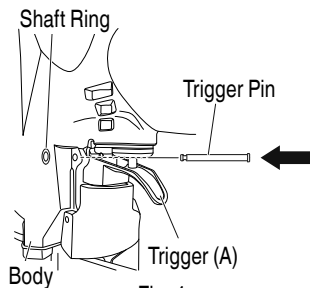


Fig. 4

- (3) Inspection after assembly
 Perform an after-assembly inspection according to the procedure below.

- ① Disconnect the air hose.
REMOVE ALL NAILS FROM NAILER.
- THE PUSH LEVER AND TRIGGER MUST MOVE SMOOTHLY.
- ② Adjust air pressure to 70 psi (4.9 bar, 5 kgf/cm²).
 Connect the air hose.
- THE NAILER MUST NOT LEAK AIR.

- ③ Remove your finger from the trigger and press the push lever against the workpiece.

THE NAILER MUST NOT OPERATE.

- ④ Separate the push lever from the workpiece. Next, point the nailer downward, pull the trigger, and keep that position for 5 seconds or longer.

THE NAILER MUST NOT OPERATE.

- ⑤ With the nailer off the wood, pull the Trigger. Next, depress the Push Lever against the workpiece.

THE NAILER MUST OPERATE.

- ⑥ Next, depress the Push Lever against the workpiece. Now pull the Trigger.

THE NAILER MUST OPERATE.

If no abnormal operation is observed, you may load nails in the nailer.

Drive nails into the workpiece that are the same type to be used in the actual application.

THE NAILER MUST OPERATE PROPERLY.

If a problem occurs during the inspection described above, do not attempt to repair the nailer yourself; please bring it to the nearest metabo HPT authorized service center.

MAINTENANCE

NOTE: The information contained in this Manual is designed to assist you in the safe maintenance of the Nailer.

Some illustrations in this Manual may show details or attachments that differ from those on your own Nailer.

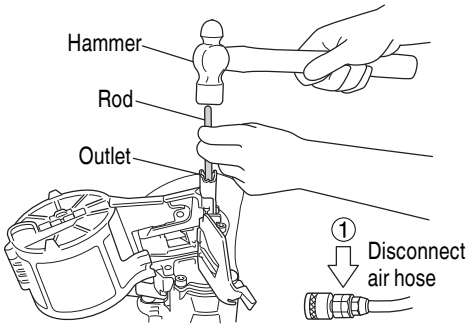
MAINTENANCE AND INSPECTION

Read section titled "SAFETY" (pages 3-7).

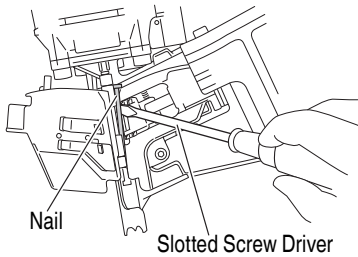
WARNING

- **Disconnect air hose and remove all nails from Nailer when:**
 - 1) **doing maintenance and inspection; and**
 - 2) **clearing a jam.**

1. Clearing a jam
 Remove a jammed nail in the following order:
 - ① **DISCONNECT AIR HOSE.**
 - ② Open the nail guide.
 - ③ Insert a rod into the outlet.
 Tap the rod with a hammer.

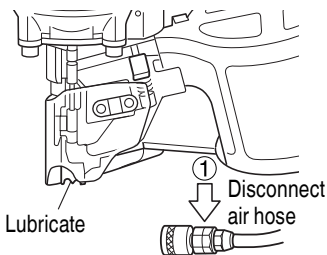


- ④ Remove the jammed nail with a slotted screw driver.

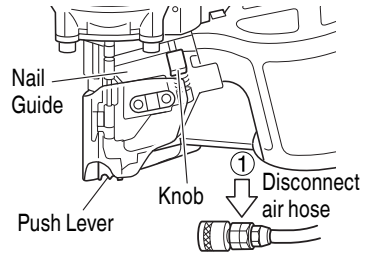


- ⑤ Cut the deformed collated wire with nippers. Correct the deformation.
⑥ In case of frequent jam, contact a metabo HPT authorized service center.
2. Inspecting the push lever

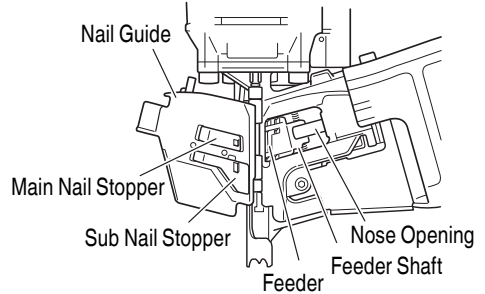
- ① DISCONNECT AIR HOSE.
② Clean the push lever sliding part. Lubricate it with metabo HPT pneumatic tool lubricant.



3. Inspecting the feeders
- ① DISCONNECT AIR HOSE.
② Clean the knob sliding part. Lubricate it with metabo HPT pneumatic tool lubricant.



- ③ Open the nail guide and remove dust. Lubricate the sliding groove of the feeder and shafts.



- ④ Lubricate the feeding surfaces of the nose and the nail guide after cleaning. This promotes smooth operation and prevents rust.

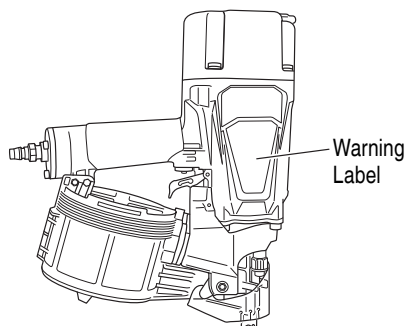
⚠ CAUTION

- Check that the main nail stopper and sub nail stopper slide smoothly by pushing them with finger. If not smooth, nails can be driven at an irregular angle and hurt someone.

4. Inspecting the magazine
- ① DISCONNECT AIR HOSE.
② Clean the magazine. Remove dust or wooden tips which may have accumulated in the magazine.

5. Storing
- When not in use for an extended period, apply a thin coat of the lubricant to the steel parts to avoid rust.
 - Do not store the Nailer in a cold weather environment.
Keep the Nailer in a warm area.
 - When not in use, the Nailer should be stored in a warm and dry place.
Keep out of reach children.

6. WARNING LABEL
- Do not use the Nailer with missing or damaged WARNING LABEL.
- A new WARNING LABEL is available from a metabo HPT authorized service center.



7. Maintenance chart (See page 23)
8. Operator troubleshooting (See page 24)

⚠ CAUTION

- In the operation and maintenance of power tools, the safety regulations and standards prescribed in each country must be observed.

SERVICE AND REPAIRS

⚠ WARNING

- Only service personnel trained by metabo HPT, distributor or employer shall repair the Nailer.
- Use only parts supplied or recommended by metabo HPT for repair.

All quality Nailers will eventually require servicing or replacement of parts because of wear from normal use.

NOTE: Specifications are subject to change without any obligation on the part of metabo HPT.

Maintenance chart

ACTION	WHY	HOW
Drain air line filter daily.	Prevent accumulation of moisture and dirt.	Open manual petcock.
Keep lubricator filled.	Keep the Nailer lubricated.	Fill with metabo HPT pneumatic tool lubricant.
Clean filter element and blow air through filter in direction opposite to normal flow daily.	Prevent clogging of filter with dirt.	Follow manufacturer's instructions.
Clean magazine and feeder mechanism.	Prevent a jam.	Blow clean daily.
Keep push lever working properly.	Promote operator safety and efficient Nailer operation.	Blow clean daily.
Lubricate the Nailer after nailing.	Extend the Nailer life.	Supply 5–10 drops of lubricant into the Nailer.
Drain air compressor daily.	Keep the Nailer operated properly.	Open petcock on air compressor tank.

Operator troubleshooting

Most minor problems can be resolved quickly and easily using the table below.

If problems persist, contact a metabo HPT authorized service center for assistance.

PROBLEM	CHECK METHOD	CORRECTION
Nailer operates, but no nail is driven.	Check for a jam.	Clear a jam.
	Check function of feeder per page 22.	Clean and lubricate.
	Check for proper nails.	Use only recommended nails.
Weak drive. Slow to cycle.	Check air pressure.	Increase air pressure. (Do not exceed 120 psi (8.3 bar 8.5 kgf/cm ² .)
	_____	Use metabo HPT pneumatic tool lubricant.
	Driver blade worn?	Contact metabo HPT for replacement.
	Piston O-ring worn or damaged?	
Drives too deep.	Check air pressure.	Reduce air pressure. (Adjust 70–120 psi)
Skipping nails. Intermittent feed.	Check for proper nails.	Use only recommended nails.
	Check function of feeder per page 22.	Clean and lubricate.
	Check position of nail holder in magazine per page 14.	Adjust nail holder to proper position.
	_____	Use metabo HPT pneumatic tool lubricant.
	Piston O-ring cut or heavily worn?	Contact metabo HPT for replacement.
Nails jam. Driven nail is bent.	Check for proper nails.	Use only recommended nails.
	Driver blade worn?	Contact metabo HPT for replacement.
Drives properly during normal operation, but does not drive fully at faster nailing speeds.	Check inside diameter of air hose.	Use larger air hose.

INFORMATION IMPORTANTE DE SÉCURITÉ



Lire et bien assimiler toutes les étiquettes de l'outil ainsi que toutes les instructions de fonctionnement, les consignes de sécurité et les avertissements de ce mode d'emploi avant d'utiliser ou d'entretenir ce cloueur.

Le non respect des avertissements pourrait entraîner la MORT ou des BLESSURES GRAVES.

La plupart des accidents résultant de l'utilisation ou de l'entretien des cloueurs sont dus au non respect de certaines consignes et précautions de sécurité élémentaires. Un accident peut souvent être évité en reconnaissant une situation potentiellement dangereuse avant qu'elle ne se produise, et en respectant les procédures de sécurité applicables.

Les consignes de sécurité élémentaires sont données dans la section "SECURITE" du manuel et dans les sections relatives aux instructions d'utilisation et d'entretien.

Les dangers à éviter pour empêcher tout risque de blessures ou de dommage de l'outil sont identifiés par les mots DANGER et AVERTISSEMENT, sur le cloueur et dans ce manuel.

NE JAMAIS utiliser ce cloueur pour des applications autres que celles qui sont spécifiées dans ce manuel.

DEFINITION DES MOTS DE SIGNALISATION

DANGER indique une situation imminente dangereuse qui, si elle n'est pas évitée, entraînera la mort ou des blessures graves.

AVERTISSEMENT indique une situation potentiellement dangereuse qui, si elle n'est pas évitée, risque d'entraîner la mort ou des blessures graves.

ATTENTION indique une situation potentiellement dangereuse qui, si elle n'est pas évitée, risque d'entraîner des blessures légères ou modérées, ou d'endommager l'outil.

REMARQUE met en relief les informations essentielles.

EXPLICATION DE L'ACTION DE CLOUAGE DU CLOUEUR metabo HPT

- **MÉCANISME DE DÉCLENCHEMENT SÉQUENTIEL UNIQUE:**
Appuyer tout d'abord le levier-poussoir contre le bois, puis tirer sur la gâchette pour enfonce le clou.
Quand un clou est enfoncé, il n'est plus possible d'enfoncer un autre clou tant que l'on n'a pas relâché la gâchette et appuyé à nouveau.
- **MÉCANISME DE DÉCLENCHEMENT PAR CONTACT :**
Appuyer tout d'abord le levier-poussoir contre le bois, puis tirer sur la gâchette pour enfonce le clou.
Tirer tout d'abord sur la gâchette, puis appuyer le levier-poussoir contre le bois pour enfonce le clou.
Si la gâchette est maintenue tirée, un clou s'enfonce chaque fois que l'on appuie le levier-poussoir contre le bois.
- * À la sortie d'usine, ce produit est verrouillé sur le DÉCLENCHEMENT SÉQUENTIEL UNIQUE.
Voir "MÉTHODES D'UTILISATION" pour savoir comment basculer entre les commandes.

SECURITE

CONSIGNES DE SÉCURITÉ IMPORTANTES POUR L'UTILISATION DU CLOUEUR

CONSIGNES RELATIVES À UN RISQUE D'INCENDIE, DE CHOC ÉLECTRIQUE OU DE BLESSURES CORPORELLES

● Généralités

Afin de réduire les risques de choc électrique, d'incendie et de blessures physiques, **LIRE TOUTES LES INSTRUCTIONS AVANT D'UTILISER L'OUTIL.**

⚠ DANGER

1. LES OPÉRATEURS ET LES AUTRES PERSONNES DANS L'AIRE DE TRAVAIL DOIVENT PORTER UNE PROTECTION OCULAIRE (LUNETTES DE PROTECTION AVEC ÉCRANS LATÉRAUX).



Quand on utilise le cloueur, toujours porter des lunettes de protection avec visières latérales, et veiller à ce que les autres personnes dans la zone de travail en portent également.

Les lunettes de protection devront respecter les exigences de l'ANSI (American National Standards Institute) Z87.1 et assurer la protection contre les projections de particules arrivant par l'avant et par le côté.

Les lunettes ordinaires ne fournissent pas une protection adéquate.

L'employeur doit veiller à ce que la personne qui utilise le cloueur et les autres personnes dans l'aire de travail portent des lunettes de protection.

2. NE JAMAIS UTILISER DE GAZ RÉACTIFS NI AUCUN AUTRE GAZ EN BOUTEILLE. IL POURRAIT SE PRODUIRE UNE EXPLOSION.



Ne jamais utiliser de gaz réactifs (tels que l'oxygène), de gaz combustibles ni aucun autre gaz en bouteille comme source d'alimentation du cloueur.

L'utilisation de ces gaz serait dangereuse, car le cloueur exploserait.

Utiliser exclusivement de l'air comprimé propre, sec et régulé.

⚠ AVERTISSEMENT

3. NE JAMAIS DIRIGER L'OUTIL VERS SOI NI VERS QUELQU'UN D'AUTRE DANS L'AIRE DE TRAVAIL.



Toujours supposer que le cloueur renferme des clous.

Ne jamais diriger le cloueur vers soi, ni vers quelqu'un d'autre, qu'il renferme des clous ou non.

Si l'on enfonce des clous par erreur, cela risque de provoquer des blessures graves. Ne jamais s'amuser avec le cloueur.

Le cloueur est un instrument de travail. Le respecter.

Ne jamais transporter l'outil avec le doigt sur la gâchette, car on risquerait d'enfoncer accidentellement un clou et de se blesser ou de blesser quelqu'un d'autre.

Toujours transporter le cloueur exclusivement par sa poignée.

5. CONNAÎTRE ET COMPRENDRE LE SYSTÈME DE GÂCHETTE UTILISÉ.

Lire et bien assimiler la section intitulée "MÉTHODES D'UTILISATION". (pages 40-43)

4. NE PAS PLACER LE DOIGT SUR LA GÂCHETTE ET MAINTENIR LES DOIGTS ÉLOIGNÉS DE CELLE-CI QUAND ON N'EFFECTUE PAS DE CLOUAGE POUR ÉVITER TOUT RISQUE DE CLOUAGE ACCIDENTEL.

6. NE PAS ENTRER EN CONTACT AVEC L'EMBOÛT DE SÉCURITÉ (LEVIER-POUSSOIR) QUAND ON N'EFFECTUE PAS DE CLOUAGE.

SECURITE — Suite

⚠ AVERTISSEMENT

Lors de l'utilisation de ces outils, des précautions de base doivent être respectées, notamment:

1. Zone de travail

- (1) **Maintenir la zone de travail propre et bien éclairée.**

Les zones sombres et encombrées augmentent les risques de choc électrique, d'incendie ou blessures physiques.

- (2) **Ne pas utiliser le cloueur dans un endroit présentant un risque d'explosion, par exemple en présence de liquides inflammables, de gaz ou de poussières combustibles.**

Le cloueur peut provoquer des étincelles susceptibles d'enflammer la poussière ou les vapeurs.

- (3) **Maintenir les passants, enfants et visiteurs à l'écart pendant l'utilisation du cloueur.** Toute distraction peut provoquer la perte de contrôle du cloueur.

2. Sécurité personnelle

- (1) **Rester sur ses gardes. Se concentrer sur la tâche et faire preuve de bon sens quand on travaille avec le cloueur. Ne pas utiliser le cloueur si on est fatigué, après avoir consommé des drogues ou de l'alcool, ou sous l'influence de médicaments.**

Tout moment d'inattention pendant l'utilisation du cloueur augmente le risque de blessures physiques.

- (2) **Porter des vêtements appropriés. Ne pas porter de vêtements amples ou de bijoux. Si l'on a les cheveux longs, les maintenir sous un couvre-chef. Maintenir les cheveux, vêtements et gants à l'écart des pièces mobiles.**

Les vêtements amples, les bijoux et les cheveux longs augmentent le risque de blessures physiques car ils peuvent être entraînés par les pièces mobiles.

- (3) **Éviter toute mise en marche accidentelle. Vérifier que le commutateur est sur arrêt avant de brancher le tuyau d'air.** Ne pas transporter le cloueur en gardant le doigt sur le commutateur ou raccorder le tuyau d'air quand le commutateur est sur marche.

- (4) **⚠ AVERTISSEMENT** – **Débrancher le tuyau d'air du cloueur quand on effectue des réglages ou l'entretien, on retire des clous coincés, on actionne le levier-poussoir, on ne s'en sert pas, on quitte l'aire de travail, on le laisse hors de la supervision ou du contrôle**

de l'opérateur, on le charge ou le décharge, on le passe à quelqu'un d'autre, on le soulève ou l'abaisse, ou on le déplace dans un autre endroit. Ne jamais essayer de retirer des clous coincés ou de réparer le cloueur si le tuyau d'air n'est pas débranché et que les clous restants n'ont pas été retirés du cloueur. Le cloueur ne doit jamais rester sans surveillance car des personnes non familiarisées avec ce type d'outil pourraient le manipuler et se blesser.

Ces mesures de précaution réduisent le risque de blessures physiques.

- (5) **Ne pas trop se pencher. Conserver une bonne assise et un bon équilibre en permanence.** Une bonne assise et un bon équilibre favorisent un meilleur contrôle du cloueur dans des situations inattendues.

- (6) **Utiliser des équipements de sécurité.** Utiliser un masque anti-poussière, des chaussures de sécurité antidérapantes et un casque de sécurité lorsque les conditions l'exigent.

- (7) **⚠ AVERTISSEMENT** – **Risque de perte auditive. Porter une protection auditive.**

La protection auditive doit avoir un CAS (coefficient d'atténuation sonore) déterminé selon les règles de l'Agence américaine de la protection de l'environnement, approprié pour l'exposition au bruit.

- (8) **Toujours porter un casque.**
Toujours porter un casque pour se protéger la tête contre les projectiles.
- (9) **Ne pas attacher le tuyau ou le cloueur à votre corps.**

Attacher le tuyau à la structure pour réduire le risque de perte d'équilibre en cas de mouvements brusques du tuyau.

- (10) **⚠ AVERTISSEMENT** – **Enfoncer les clous uniquement dans une surface de travail appropriée.** Ne pas enfoncer les clous dans d'autres clous. Celui-ci pourrait ricocher et blesser quelqu'un, ou provoquer une réaction inattendue du cloueur susceptible d'entraîner une blessure physique.

3. Utilisation et entretien du cloueur

- (1) **Utiliser des serre-joints ou tout autre moyen pratique pour maintenir la pièce sur une surface stable en toute sécurité.**

SECURITE — Suite

⚠ AVERTISSEMENT

Maintenir la pièce à la main ou contre soi est une technique instable et peut provoquer une perte de contrôle.

- (2) **Ne pas forcer sur le cloueur.** Utiliser le cloueur approprié à votre usage. Le cloueur approprié effectuera la tâche en toute sécurité selon les spécifications pour lesquelles il est destiné.
- (3) **Ne pas utiliser le cloueur si le commutateur ne permet pas de le mettre sur marche ou arrêt.** Tout cloueur ne pouvant pas être contrôlé par le commutateur est dangereux et doit être réparé.
Ne jamais utiliser un cloueur défectueux ou qui ne fonctionne pas normalement. Si le cloueur semble ne pas fonctionner comme d'habitude, qu'il émet des bruits bizarres ou qu'il semble défectueux, cesser immédiatement de l'utiliser et le faire réparer par un service après-vente metabo HPT agréé.
- (4) **Débrancher le tuyau d'air du cloueur avant de procéder à des réglages, de changer des accessoires ou de le remiser.** Ces mesures de sécurité préventives réduisent le risque de déclenchement accidentel du cloueur.
- (5) **Remiser le cloueur, lorsqu'il est inutilisé, hors de portée des enfants et de toute personne non formée à son utilisation.** Un cloueur s'avère dangereux entre les mains de personnes non formées à son utilisation.
- (6) **Entretien soigneusement le cloueur.** Veiller à ce que le cloueur soit toujours propre et graissé pour obtenir un fonctionnement optimal et en toute sécurité.
- (7) **Contrôler tout mauvais alignement ou grippage des pièces mobiles, toute rupture de pièces et toute autre situation pouvant affecter le fonctionnement du cloueur.**

S'il est endommagé, faire réparer le cloueur avant toute nouvelle utilisation. En raison de la pression d'air élevée à l'intérieur du cloueur, les fissures en surface sont dangereuses. Pour éviter tout risque, ne pas faire tomber le cloueur ni le heurter contre des surfaces dures ; et ne pas le rayer ni y graver d'inscriptions. De nombreux accidents sont provoqués par des cloueurs mal entretenus. Il y a un risque d'éclatement si le cloueur est endommagé.

- (8) **Ne pas utiliser un cloueur en mauvais état de marche. Des étiquettes et une séparation physique doivent être utilisées pour contrôle.**

- (9) **Utiliser exclusivement des accessoires fournis ou recommandés par metabo HPT pour ce cloueur spécifique.** L'utilisation d'un accessoire non destiné à ce cloueur spécifique augmente le risque de blessures physiques.

- (10) **Utiliser exclusivement les clous mentionnés dans la section Accessoires du présent manuel.** Les clous non recommandés par metabo HPT en vue d'une utilisation avec ce cloueur augmentent le risque de blessures physiques ou peuvent endommager le cloueur.

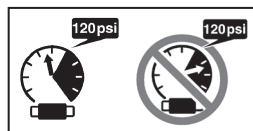
4. Entretien

- (1) **L'entretien de cet outil doit être confié exclusivement au personnel d'entretien qualifié.**
- (2) **Pour les réparations, utiliser exclusivement des pièces de rechange identiques. Utiliser exclusivement des pièces agréées.**
- (3) **Utiliser exclusivement la graisse fournie avec le cloueur ou recommandée par metabo HPT.**

5. Alimentation d'air

- (1) **Ne jamais raccorder le cloueur à une source d'alimentation qui risque de dépasser 200 psi (13,7 bars 14 kgf/cm²) si une défaillance du régulateur se produit.**

Une pression excessive à l'intérieur du cloueur peut provoquer son éclatement, un fonctionnement anormal, la panne du cloueur ou des blessures physiques graves.



NE PAS DÉPASSER 120 psi (8,3 bars 8,5 kgf/cm²).

Utiliser exclusivement de l'air comprimé propre, sec et régulé à la pression nominale ou dans la plage de pression nominale indiquée sur le cloueur.

Toujours vérifier, avant d'utiliser le cloueur, que l'alimentation d'air a été ajustée en fonction de la pression d'air nominale ou dans la plage de pression d'air nominale stipulée.

SECURITE — Suite

⚠ AVERTISSEMENT

- (2) **Ne jamais utiliser de gaz réactifs (tels que l'oxygène), de dioxyde de carbone, de gaz combustibles ou tout autre gaz en bouteille comme source d'alimentation du cloueur.** L'utilisation de ces gaz pourrait provoquer une explosion et causer de graves blessures physiques.

6. Autres

- (1) **Avant de commencer le travail, vérifier le dispositif de commutation de l'opération de clouage.**

Ce cloueur metabo HPT comprend un dispositif de commutation de l'opération de clouage.

Avant de commencer le travail, vérifier le réglage du dispositif de commutation de l'opération de clouage.

Si le dispositif de commutation de l'opération de clouage n'est pas réglé correctement, le cloueur ne fonctionnera pas correctement.

- (2) **Toujours sélectionner le dispositif de commutation approprié pour l'application et la formation de l'opérateur.**

- (3) **Lors du basculement entre le déclenchement SÉQUENTIEL UNIQUE et le déclenchement PAR CONTACT, déconnectez le tuyau d'air et retirez tous les clous.**

- (4) **Lorsque le crochet est fixé, faites fonctionner l'outil uniquement avec le MÉCANISME DE DÉCLENCHEMENT SÉQUENTIEL UNIQUE et pas avec le MÉCANISME DE DÉCLENCHEMENT PAR CONTACT.**

- (5) **Faire attention aux doubles activations et aux coups par le cloueur suite au retour brutal ("rappel").** Après avoir enfoncé un clou, le cloueur peut effectuer un rappel causant son éloignement de la surface de travail.

Pour réduire le risque de blessure, toujours gérer le rappel en :

- 1) maintenant toujours le contrôle du cloueur.
- 2) laissant le rappel éloigner le cloueur de la surface de travail.
- 3) ne résistant pas au rappel de sorte que le cloueur sera refoulé contre la surface de travail. Dans "MÉCANISME DE DÉCLENCHEMENT PAR CONTACT", si on laisse le levier-poussoir entrer de nouveau en contact avec la surface de travail avant de relâcher la gâchette, un clouage imprévu se produira. Afin d'éviter ces doubles activations indésirables,

- Fonctionnement intermittent (déclenchement par gâchette)

- ① Régler le dispositif de commutation sur la position MÉCANISME DE DÉCLENCHEMENT SÉQUENTIEL UNIQUE.

- ② Tirer sur la gâchette rapidement et fermement.

- Fonctionnement continu (déclenchement par levier-poussoir)

- ① Régler le dispositif de commutation de l'ensemble gâchette (gâchette noire) sur DÉCLENCHEMENT PAR CONTACT. Ou bien, remplacer par la gâchette (A) incluse (gâchette argent).

- ② Ne pas appuyer le cloueur trop fort contre le bois.

- ③ Eloigner le cloueur du bois car il effectue un rappel après le clouage.

- 4) éloignant le visage et les parties du corps du cloueur.

- (6) **Ne jamais utiliser de coupleur NON dégageant sur le cloueur.** Si l'on utilise un coupleur non dégageant sur le cloueur, celui-ci risque de rester chargé d'air après le débranchement et, par conséquent, d'enfoncer un clou même après avoir été débranché. Le cloueur et le tuyau d'air doivent avoir un coupleur de tuyau de façon à ce que toute la pression soit évacuée du cloueur quand on débranche le joint de couplage.

- (7) **Vérifier le levier-poussoir avant l'utilisation.**

S'assurer que le levier-poussoir fonctionne correctement, et qu'il ne soit pas inutilisable, déconnecté, ou modifié. (Le levier-poussoir est parfois appelé "sécurité"). Ne jamais utiliser le cloueur si le levier-poussoir ne fonctionne pas correctement. Un clou pourrait s'enfoncer accidentellement. Ne pas modifier ou retirer le levier-poussoir, car sinon il pourrait devenir inutilisable.

- (8) **Veiller à ce que toutes les vis et les couvercles soient en place et bien serrés.** Veiller à ce que les vis et les couvercles soient solidement fixés. Les vérifier périodiquement. Ne jamais utiliser le cloueur si des pièces sont manquantes ou sont endommagées.

- (9) **Ne pas charger de clous si la gâchette ou le levier-poussoir sont enfoncés.** Quand on charge des clous dans le cloueur ou qu'on raccorde le tuyau d'air,

SECURITE — Suite

 AVERTISSEMENT

- 1) ne pas appuyer sur la gâchette;
 - 2) ne pas actionner le levier-poussoir; et
 - 3) diriger le cloueur vers le bas.
- (10) **Éloigner les mains et le corps de la tête de clouage pendant l'utilisation.** Ne jamais approcher les mains ni les pieds à moins de 8 pouces (200 mm) de la tête de clouage. Il y a un risque de blessure grave si les clous sont déviés par la pièce ou qu'ils sont déportés au-delà du point d'entrée.
- (11) **Quand on travaille près du bord d'une pièce ou à un angle prononcé, ou quand on enfonce des clous dans une pièce fine, prendre soin de minimiser le déchiquetage, le fractionnement ou l'éclatement, ou le vol libre, le ricochet ou le perçage des clous, pouvant provoquer des blessures.**
- (12) **Ne jamais enfoncer de clous des deux côtés d'un mur en même temps.** Les clous pourraient traverser le mur et blesser quelqu'un de l'autre côté.
- (13) **Redoubler de précaution quand on cloue dans des murs existants ou d'autres zones mortes pour prévenir le contact avec des objets cachés ou des personnes de l'autre côté (par ex., câbles, tuyaux).**
- (14) **Vérifier s'il y a des fils sous tension.** Pour éviter tout risque d'électrocution grave, vérifier s'il y a des fils sous tension dissimulés dans le mur, le plancher ou le plafond. Couper le disjoncteur pour s'assurer qu'il n'y a pas de fils sous tension.
- (15) **Ne pas lever, tirer ou abaisser le cloueur par le tuyau.**
- (16) **Ne pas débrancher le tuyau d'air du cloueur avec le doigt sur la gâchette.** Le pourrait se déclencher lorsque l'alimentation d'air sera à nouveau raccordée.
- (17) **Manipuler le cloueur correctement.** Utiliser le cloueur en suivant les instructions du manuel. Ne jamais permettre que le cloueur soit utilisé par des enfants, des personnes non familiarisées avec son fonctionnement ou du personnel non autorisé.
- (18) **Ne jamais utiliser le cloueur pour des applications autres que celles spécifiées dans le présent manuel.**
- (19) **Ne jamais modifier ni altérer un cloueur.** Cela pourrait provoquer un mauvais fonctionnement et entraîner des blessures physiques.
- (20) **Ne pas retirer le couvercle à poussière.** Des fragments du fil de fixation des clous peuvent être éjectés.
- (21) **Fermer le guide-clous et ne pas l'ouvrir pendant le fonctionnement.** Si l'on enfonce des clous avec le guide-clous ouvert, ils risquent d'être déviés de la pièce.
- (22) **Déconnectez le tuyau d'air lors de l'accrochage du crochet.**
- (23) **N'accrochez pas le crochet sur des emplacements élevés ou instables. De plus, ne l'accrochez pas au corps, aux vêtements, à une ceinture ou à d'autres articles personnels.**
- (24) **Lors du remontage de la gâchette à une gâchette avec déclenchement par contact alors que le crochet est déjà fixé, retirez le crochet.**

RESPONSABILITÉS DE L'EMPLOYEUR, DU PROPRIÉTAIRE DE L'OUTIL ET DE L'OPÉRATEUR DE L'OUTIL

1. Veiller à ce que ce MANUEL reste à la disposition des personnes qui doivent utiliser ou entretenir le cloueur.
2. Sélectionner un dispositif de commutation approprié en prenant en considération l'utilisation du cloueur.
3. Former l'opérateur à l'utilisation sécuritaire du cloueur comme décrit dans ce MANUEL.
4. Veiller à ce que seules les personnes qui ont lu et compris ce MANUEL utilisent le cloueur.
5. Veiller à ce que les cloueurs soient utilisés exclusivement lorsque les opérateurs et les autres personnes présentes dans l'aire de travail portent des LUNETTES DE PROTECTION et un autre équipement de protection individuelle approprié comme une PROTECTION POUR LA TÊTE, LES OREILLES ET LES PIEDS.
6. Obliger les opérateurs et les autres personnes présentes dans l'aire de travail à porter des LUNETTES DE PROTECTION.

SECURITE — Suite

7. Veiller à ce que les cloueurs soient conservés en bon état de marche comme décrit dans ce MANUEL.
8. Entretenir les cloueurs correctement.
9. Veiller à ce que seul le personnel qualifié répare les cloueurs.
10. Veiller à ce que les cloueurs qui ont besoin d'être réparés soient retirés du service et que des étiquettes et une séparation physique soient utilisées comme moyen de contrôle.

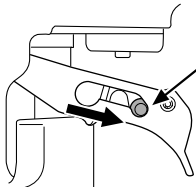
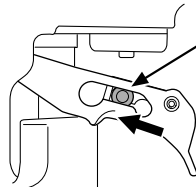
**CONSERVER CE MANUEL ET
LE METTRE A LA DISPOSITION DES
UTILISATEURS!**

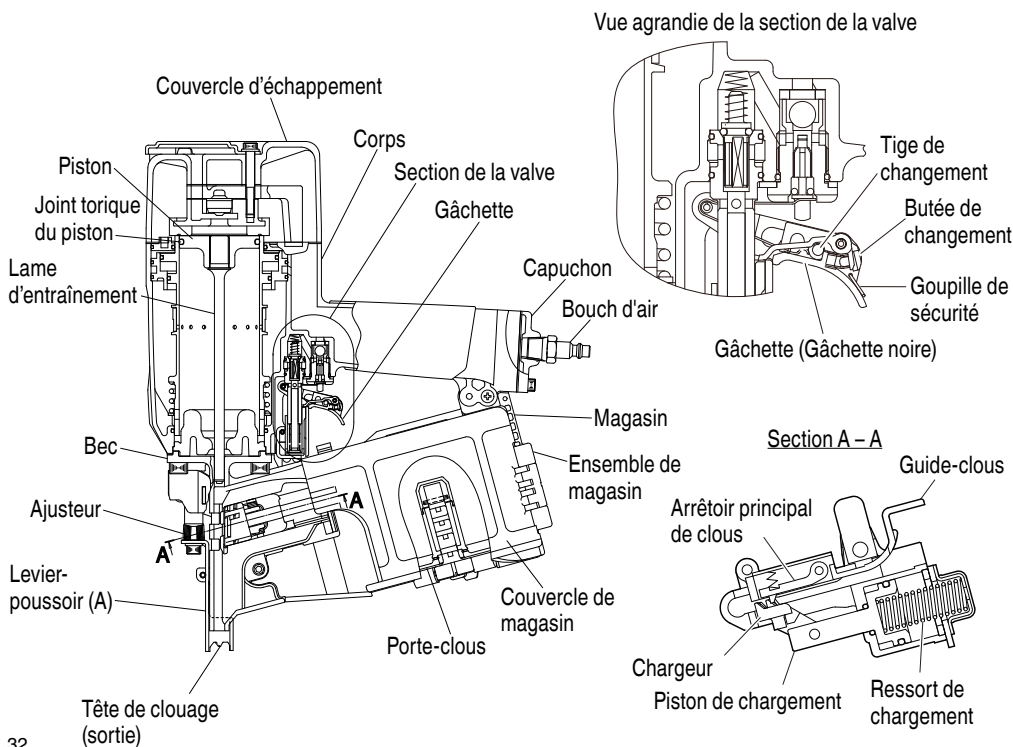
UTILISATION

REMARQUE: Les informations contenues dans ce manuel ont pour but d'aider l'opérateur à utiliser le cloueur en toute sécurité.

Certaines des illustrations du manuel peuvent montrer des détails ou des accessoires qui diffèrent de ceux de votre cloueur.

NOM DES PIÈCES

Dispositif de commutation d'opération de clouage	
 <p>Position de la tige de changement</p> <p>MÉCANISME DE DÉCLENCHEMENT SÉQUENTIEL UNIQUE</p>	 <p>Position de la tige de changement</p> <p>MÉCANISME DE DÉCLENCHEMENT PAR CONTACT</p>
<ul style="list-style-type: none"> ● Lorsque la goupille de sécurité est fixée, l'outil est réglé sur le mode DÉCLENCHEMENT SÉQUENTIEL UNIQUE. ● Pour utiliser le DÉCLENCHEMENT PAR CONTACT, la goupille de sécurité devrait être retirée en suivant les étapes de "Comment retirer la goupille de sécurité" indiquées dans "MÉTHODES D'UTILISATION". 	



SPECIFICATIONS

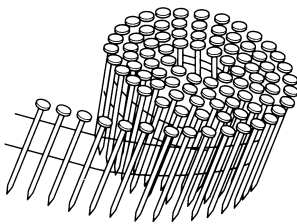

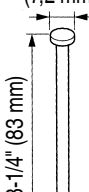
Pression d'utilisation	70–120 psi (4,9–8,3 bars, 5–8,5 kgf/cm ²)
Dimensions Longueur x Hauteur x Largeur	12-13/32" x 13-11/16" x 5-13/32" (315 mm x 348 mm x 137 mm)
Poids	8,8 lbs (4,0 kg) (sans crochet)
Contenance de clous	200–300 clous (1 bobine)
Consommation d'air	.088 ft ³ /cycle à 100 psi (2,5 l/cycle à 6.9 bars) (2,5 l/cycle à 7 kgf/cm ²)
Arrivée d'air	Filetage 3/8 NPT

SELECTION DES CLOUS

⚠ AVERTISSEMENT

- **Bien utiliser exclusivement les clous metabo HPT d'origine avec le NV83A5. L'utilisation d'autres clous risque de provoquer un mauvais fonctionnement de l'outil et/ou une rupture des clous, et d'entraîner des blessures.**

Seuls les clous indiqués dans le tableau ci-dessous pourront être utilisés avec ce cloueur.

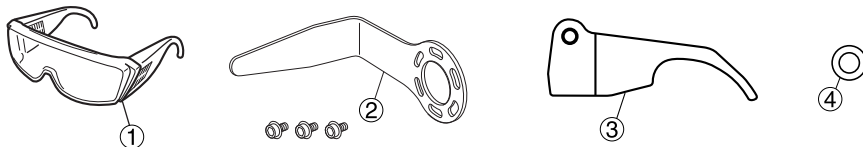
 <p>Bobine de clous fixés par fil</p>	<p>Min.</p> <p>.236" (6 mm)</p>  <p>2" (50 mm)</p> <p>.099" (2,5 mm)</p>	<p>Max.</p> <p>.283" (7,2 mm)</p>  <p>3-1/4" (83 mm)</p> <p>.131" (3,3 mm)</p>

ACCESSOIRES

⚠ AVERTISSEMENT

- Les accessoires autres que ceux indiqués ci-dessous risquent de mal fonctionner et de provoquer des blessures.

ACCESSOIRES STANDARD



① Lunettes de protection	1
② Crochet	1
③ Gâchette (A) (Gâchette avec déclenchement par contact/Couleur : Argent)	1
④ Bague de l'arbre	1

ACCESSOIRES EN OPTION ... vendus séparément

- Huile de machine pneumatique
 - Alimenteur d'huile 1.0 oz (30 cc) (Code No. 877153)
 - Alimenteur d'huile 4 oz (120 cc) (Code No. 874042)
 - Alimenteur d'huile 1 quart (1 l) (Code No. 876212)

REMARQUE: Les accessoires sont sujets à modification sans préavis et sans aucune obligation de la part de metabo HPT.

APPLICATIONS

- Construction en bois telle que plancher et coffrage de murs, faux comble de toit, structure de base de plancher.
- Construction de caravanes et de maisons modulaires.
- Fabrication de caisses en bois, de palettes et de tambours.
- Fabrication d'éléments d'emballage dans les usines de production, autres types d'emballages et autres travaux de réalisation de caisses à claire-voie.

AVANT L'UTILISATION

Lire la section intitulée "SECURITE" (pages 26–31).

Bien vérifier les points suivants avant de travailler.

ENVIRONNEMENT DE TRAVAIL

⚠ AVERTISSEMENT

- Pas de gaz ou liquides inflammables, ni aucun autre objet inflammable sur le chantier.
- Evacuer les enfants et les personnes non autorisées de l'aire de travail.

ALIMENTATION D'AIR

⚠ DANGER



- NE JAMAIS utiliser de gaz réactifs ni aucun autre gaz en bouteille. Il pourrait se produire une explosion.

⚠ AVERTISSEMENT

- Ne jamais raccorder le cloueur à une pression qui risque de dépasser 200 psi (13,7 bars 14 kgf/cm²) si une défaillance du régulateur se produit.
- Ne jamais utiliser de coupleur non dégageant sur le cloueur.

1. Alimentation
 - Utiliser exclusivement de l'air comprimé propre, sec et régulé avec ce cloueur.
 - Les compresseurs d'air utilisés pour alimenter l'air comprimé au cloueur devront respecter les exigences ANSI B19.3 "Normes de sécurité pour les compresseurs des industries de transformation".

- L'humidité ou l'huile dans le compresseur d'air peuvent accélérer l'usure et la corrosion du cloueur. Purger tous les jours.

2. Filtre-régulateur-lubrificateur

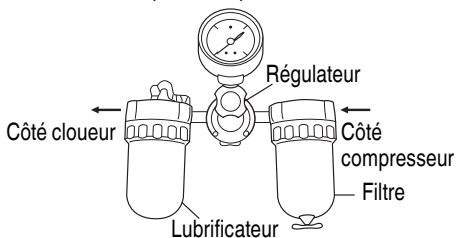
- Utiliser un régulateur d'une pression comprise entre 0-120 psi (0-8,3 bars 0-8,5 kgf/cm²).

- Les unités filtre-régulateur-lubrificateur procureront les conditions optimales du cloueur et accroîtront sa durée de service. Toujours les utiliser.

FiltreLe filtre enlève l'humidité et la saleté mélangées à l'air comprimé. Purger tous les jours, sauf si l'outil possède une purge automatique. Nettoyer régulièrement le filtre.

Régulateur.....Le régulateur contrôle la pression de fonctionnement afin d'assurer la sécurité du cloueur. Inspecter le régulateur avant le travail pour s'assurer qu'il fonctionne correctement.

Lubrificateur ...Le lubrificateur alimente de l'huile vaporisée au cloueur. Inspecter le lubrificateur avant le travail pour s'assurer que l'alimentation d'huile est adéquate. Utiliser une huile de machine pneumatique metabo HPT.



3. Tuyau d'air

Les tuyaux d'alimentation d'air comprimé doivent avoir une pression de travail minimum égale ou supérieure à la pression de la source d'alimentation si une défaillance du régulateur se produit, ou égale ou supérieure à 150 psi (10,4 bar 10,6 kgf/cm²), à savoir la plus élevée.

4. Consommation d'air

Sélectionner la taille du compresseur en se reportant au tableau de consommation d'air et aux formules de taille du compresseur.

Tableau de consommation d'air

Pression de fonctionnement	psi (bar) (kgf/cm ²)	80 (5,5) (5,6)	90 (6,2) (6,3)	100 (6,9) (7)
Consommation d'air	ft ³ /cycle (l/cycle)	.062 (1,7)	.075 (2,1)	.088 (2,5)

Formules de taille du compresseur d'air

Quantité d'air requise

=nombre de clous

× clous moyens enfoncés par minute par le cloueur

× consommation d'air à une pression donnée

× facteur de sécurité (toujours 1,2)

Exemple: 2 cloueurs fonctionnant à 100 psi et enfonçant 30 clous par minute

Quantité d'air requise

=2 × 30 × .088 (2,5) × 1,2

=6,3 CFM (ft³/mn) (180 l/mn)

Effectuer le calcul ci-dessus pour obtenir un compresseur fournissant les 6,3 CFM d'air nécessaires.

GRAISSAGE

Il est essentiel que le cloueur soit graissé correctement.

Si le cloueur est mal graissé, il ne fonctionnera pas correctement et les pièces s'useront prématurément.

- Utiliser une huile de machine metabo HPT.

Ne pas utiliser d'huile détergente ni d'additifs. Ces lubrifiants endommageraient les joints toriques et les autres pièces en caoutchouc. Cela provoquerait un mauvais fonctionnement du cloueur.

- Toujours utiliser des unités filtre-régulateur-lubrificateur.

Veiller à ce que le régulateur soit toujours plein d'huile de machine pneumatique metabo HPT.

- Si l'on ne possède pas de lubrificateur, mettre 5 à 10 gouttes d'huile de machine pneumatique metabo HPT dans le bouchon d'air du cloueur deux fois par jour.

ENTRETIEN PAR TEMPS FROID

- Ne pas ranger le cloueur dans un environnement froid.

Le laisser dans un endroit chaud jusqu'à ce que l'on soit prêt à travailler.

- Si le cloueur est déjà froid, l'amener dans un endroit chaud et le laisser réchauffer avant de l'utiliser.

① Réduire la pression d'air à 64 psi (4,4 bars 4,5 kgf/cm²).

② Sortir tous les clous du cloueur.

- ③ Raccorder le tuyau d'air et faire un essai de clouage (clouage à blanc).

La pression d'air inférieure sera suffisante pour le clouage à blanc.

Les opérations à vitesse lente ont tendance à chauffer les pièces mobiles.

⚠ ATTENTION

- Ne pas faire un essai de clouage à blanc à haute pression.

ESSAI DU CLOUEUR

⚠ DANGER



- Les opérateurs et les autres personnes dans l'aire de travail DOIVENT porter des lunettes de protection avec visières latérales respectant les exigences ANSI Z87.1. Les lunettes ordinaires ne fournissent pas une protection adéquate.

⚠ AVERTISSEMENT

- Ne jamais utiliser le cloueur si le levier-poussoir ne fonctionne pas correctement.

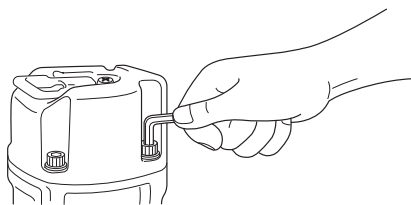
Avant de commencer le travail proprement dit, faire un essai de clouage en vérifiant les points ci-dessous. Effectuer les essais dans l'ordre indiqué.

S'il se produit un fonctionnement anormal, cesser immédiatement d'utiliser le cloueur et contacter un service après-vente agréé metabo HPT.

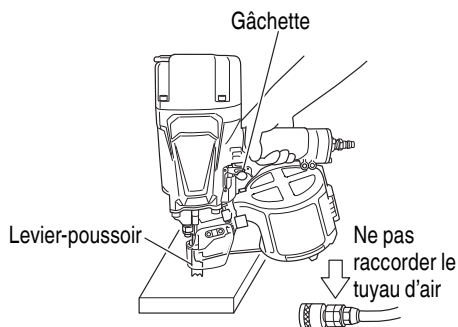
- (1) DEBRANCHER LE TUYAU D'AIR DU CLOUEUR. SORTIR TOUS LES CLOUS DU CLOUEUR.

- TOUTES LES VIS DOIVENT ETRE SERREES A FOND.

Si certaines vis sont relâchées, les revisser.



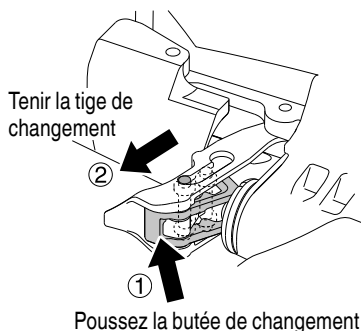
- LE LEVIER-POUSOIR ET LA GACHETTE DOIVENT FONCTIONNER AVEC SOUPLESSE.

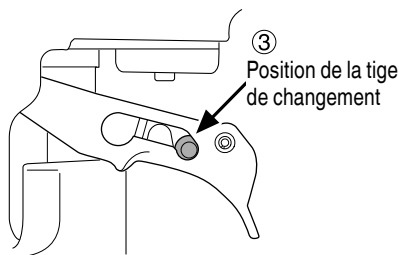


- (2) RETIRER TOUS LES CLOUS DE LA CLOUEUSE. N'appuyez PAS ni ne reposez le levier-poussoir contre une surface quelconque. NE PAS FORCER OU UTILISER DES OUTILS POUR OPÉRER LE COMMUTATEUR.

Sélectionner le MODE DE DÉCLENCHEMENT SÉQUENTIEL UNIQUE conformément aux étapes suivantes.

- ① Ouvrir la butée de changement en poussant le bas de la gâchette.
- ② Tenir la tige de changement entre les deux doigts (un de part et d'autre de la gâchette) et la faire glisser vers le bas (mode de déclenchement séquentiel unique).
- ③ Confirmer que la butée de changement est revenue complètement à sa position d'origine à l'intérieur de la gâchette. (MÉCANISME DE DÉCLENCHEMENT SÉQUENTIEL UNIQUE)



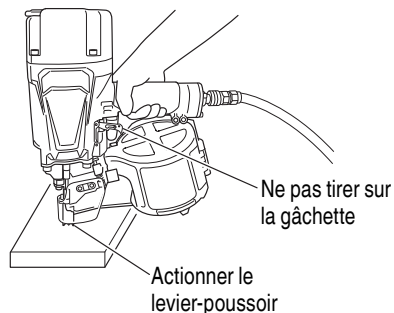


- (3) Régler la pression d'air sur 70 psi (4,9 bar 5 kgf/cm²). Raccorder le tuyau d'air.

LE CLOUEUR NE DOIT PAS AVOIR DE FUITE D'AIR.

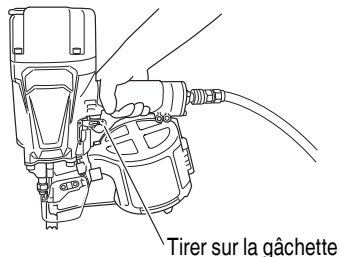
- (4) Retirer le doigt de la gâchette et appuyer le levier-poussoir contre le bois.

LE CLOUEUR NE DOIT PAS FONCTIONNER.



- (5) Eloigner le levier-poussoir du bois. Ensuite, diriger le cloueur en position abaissée, tirer sur la gâchette et attendre pendant au moins 5 secondes dans cette position.

LE CLOUEUR NE DOIT PAS FONCTIONNER.



- (6) Commencer par tirer sur la gâchette. Et puis pousser le levier-poussoir contre la surface du bois.

LA CLOUEUSE NE DOIT PAS ÊTRE EN MARCHÉ.

- (7) Sans toucher la gâchette, appuyer le levier-poussoir contre la surface du bois. Ensuite, tirer sur la gâchette.

LA CLOUEUSE DOIT ÊTRE EN MARCHÉ.

Si la goupille de sécurité est laissée en place, sautez les étapes (8) à (10) et commencez de l'étape (11).

→ Si la goupille de sécurité est fixée, l'appareil peut être utilisé avec le MÉCANISME DE DÉCLENCHEMENT SÉQUENTIEL UNIQUE.

- (8) Déconnectez le tuyau d'air. RETIRER TOUS LES CLOUS DE LA CLOUEUSE.

Retirez le crochet s'il est fixé.

→ Lorsque le crochet est fixé, n'utilisez pas le MÉCANISME DE DÉCLENCHEMENT PAR CONTACT.

N'appuyez PAS ni ne reposez le levier-poussoir contre une surface quelconque.

NE PAS FORCER OU UTILISER DE QUELCONQUES OUTILS POUR OPÉRER LE COMMUTATEUR.

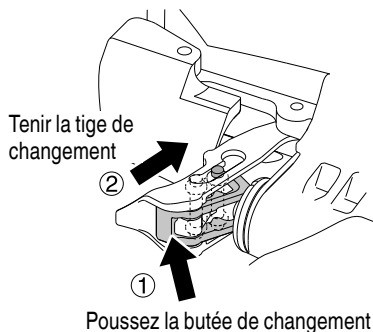
Sélectionner le MODE DE DÉCLENCHEMENT PAR CONTACT conformément aux étapes suivantes.

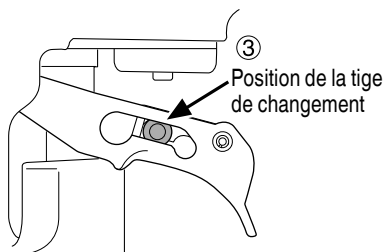
- ① Ouvrir la butée de changement en poussant le bas de la gâchette.

- ② Tenir la tige de changement entre les deux doigts (un de part et d'autre de la gâchette) et la faire glisser vers le haut (mode de déclenchement par contact).

- ③ Confirmer que la butée de changement est revenue complètement à sa position d'origine à l'intérieur de la gâchette.

(MÉCANISME DE DÉCLENCHEMENT PAR CONTACT)





(9) Ajustez la pression de l'air à 70 psi (4,9 bar = 5 kgf/cm²). Connectez le tuyau d'air.

LE CLOUEUR NE DOIT PAS AVOIR DE FUITE D'AIR.

(10) Décoller la cloueuse de la surface en bois et tirer la gâchette.

Ensuite, appuyer le levier-poussoir contre le bois.

LA CLOUEUSE DOIT ÊTRE EN MARCHÉ.

(11) Ensuite, appuyer le levier-poussoir contre la pièce à usiner.

Tirer la gâchette.

LA CLOUEUSE DOIT ÊTRE EN MARCHÉ.

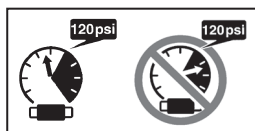
(12) Si l'on ne remarque aucun fonctionnement anormal, on pourra mettre des clous dans le cloueur.

Enfoncer les clous dans un matériau du même type que celui du travail proprement dit.

LE CLOUEUR DOIT FONCTIONNER CORRECTEMENT.

RÉGLAGE DE LA PRESSIION D'AIR

AVERTISSEMENT



- **Ne pas dépasser 120 psi (8,3 bars 8,5 kgf/cm²).**

Régler la pression d'air à la pression de travail recommandée de 70–120 psi (4,9–8,3 bars 5–8,5 kgf/cm²) en fonction de la longueur des clous et de la dureté du matériau.

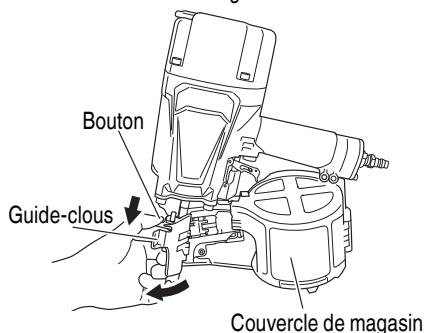
La pression d'air correcte est la pression la plus basse capable d'effectuer le travail. L'utilisation d'une pression d'air supérieure à la pression nécessaire fatiguera inutilement le cloueur.

CHARGEMENT DES CLOUS

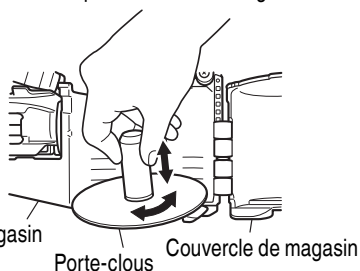
AVERTISSEMENT

- Lors du chargement des clous dans le cloueur,
 - 1) ne pas appuyer sur la gâchette;
 - 2) ne pas actionner le levier-poussoir; et
 - 3) diriger le cloueur vers le bas.

- (1) Saisir le guide-clous et le bouton avec les doigts. Pousser le bouton vers le bas et ouvrir le guide-clous. Ouvrir le couvercle du magasin.



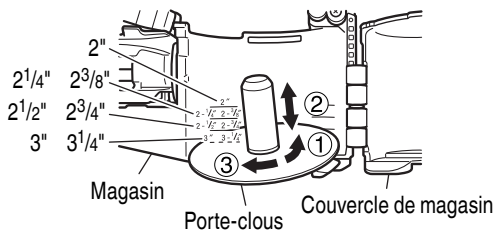
- (2) Régler la position de la platine en fonction de la longueur des clous. L'alimentation des clous ne peut pas être régulière si la platine n'est pas correctement réglée.



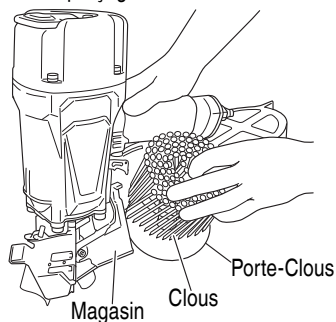
REMARQUE: Avant d'introduire des clous dans le magasin, régler la platine. Si le couvercle du magasin est fermé en forçant et sans que la platine ne soit réglée correctement, le porte-clous peut être endommagé.

- (1) Tourner le porte-clous d'environ 90 degrés dans le sens contraire des aiguilles d'une montre.
- (2) Le faire glisser en position verticale autant que possible. Soulever ou abaisser le porte-clous pour accepter différentes longueurs de clou.

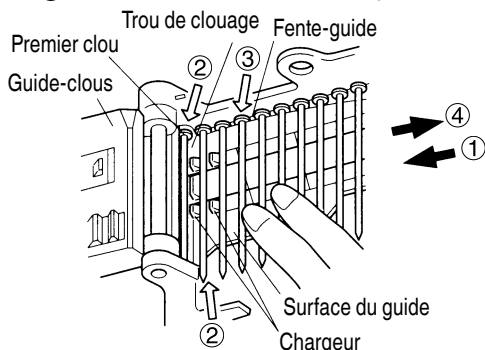
- ③ Régler la platine en fonction des références de longueur de clou du couvercle du magasin puis tourner le porte-clous de 90 degrés dans le sens des aiguilles d'une montre jusqu'à ce que l'on entende un "clac".



- (3) Introduire la bobine de clous dans le magasin. Dégager une longueur suffisante de clous pour atteindre le perçage d'entraînement.

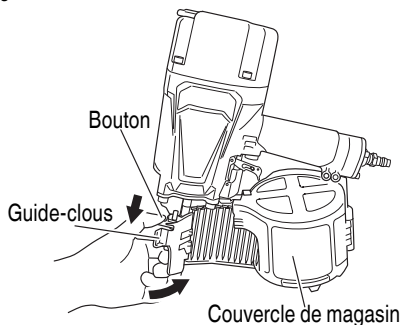


- (4) ① Dérouler suffisamment de clous pour atteindre le trou de clouage.
 ② Insérer le premier clou dans le trou de clouage et le second clou entre les deux cliquets du chargeur.
 ③ Ajuster la tête du clou dans la fente-guide.



- ④ En tirant les clous sur la droite, faire pivoter le guide-clous pour le refermer.

- (5) Fermer tout d'abord le couvercle du magasin puis le guide-clous.



REMARQUE: Veiller à ne pas déformer les fils d'acier de liaison ni à libérer les clous avec la surface de guidage.

Dans le cas contraire, en effet, le guide-clous ne se fermerait pas correctement.

- (6) Verrouiller convenablement le bouton.

UTILISATION DU CLOUEUR

Lire la section intitulée "SECURITE" (pages 26-31).

⚠ DANGER



- Les opérateurs et les autres personnes dans l'aire de travail DOIVENT porter des lunettes de protection avec visières latérales respectant les exigences ANSI Z87.1. Les lunettes ordinaires ne fournissent pas une protection adéquate.

⚠ AVERTISSEMENT



- Seules les personnes qui ont lu et compris ce MANUEL doivent utiliser le cloueur.
- NE JAMAIS diriger l'outil vers soi ni vers quelqu'un d'autre dans l'aire de travail.
- Maintenir les doigts ÉLOIGNÉS de la gâchette quand on n'enfonce pas de clous pour éviter un clouage accidentel.

- Connaître et comprendre le système de gâchette utilisé.
Lire et bien assimiler les “Méthodes d’utilisation” ci-dessous.
- Inspecter le cloueur avant utilisation pour déterminer le système de déclenchement. Avant de commencer le travail, vérifier le dispositif de commutation de l’opération de clouage.
Ce cloueur metabo HPT comprend un dispositif de commutation de l’opération de clouage.
Avant de commencer le travail, vérifier que le dispositif de commutation est réglé correctement.
Si le dispositif de commutation de l’opération de clouage n’est pas réglé correctement, le cloueur ne fonctionnera pas correctement.
- Ne jamais approcher les mains ni les pieds à moins de 8 pouces (200 mm) de la tête de clouage lors de l’utilisation.
- Ne pas enfoncer de clous sur d’autres clous; les clous pourraient ricocher et blesser quelqu’un.
- Ne pas actionner le cloueur à moins qu’il ne soit placé fermement contre la pièce de travail.
- Quand on travaille près du bord d’une pièce ou à un angle prononcé, ou quand on enfonce des clous dans une pièce fine, prendre soin de minimiser le déchetage, le fractionnement ou l’éclatement, ou le vol libre, le ricochet ou le perçage des clous, pouvant provoquer des blessures.
- Ne jamais enfoncer de clous des deux côtés d’un mur en même temps. Les clous pourraient traverser le mur et blesser quelqu’un de l’autre côté.
- Ne jamais utiliser le cloueur s’il est défectueux ou qu’il ne fonctionne pas normalement.
- Ne pas se servir du cloueur comme d’un marteau.
- Débrancher le tuyau d’air du cloueur quand:
 - 1) on ne s’en sert pas;
 - 2) on quitte l’aire de travail;
 - 3) on le soulève ou l’abaisse, ou on le déplace dans un autre endroit;
 - 4) on le passe à quelqu’un d’autre;
 - 5) Lors du retrait de la goupille de sécurité;
 - 6) on remplace le dispositif de commutation;
 - 7) on effectue tout entretien ou réparation;
 - 8) on retire les clous bloqués;

- 9) le cloueur n’est pas sous la supervision ou le contrôle de l’opérateur;
- 10) on retire les clous du chargeur;
- 11) on règle la profondeur de clouage; et
- 12) Lors de la fixation ou du retrait du crochet
- 13) Lors de l’accrochage du crochet

Ce cloueur metabo HPT est équipé d’un dispositif de commutation de l’opération de clouage. Utiliser le MÉCANISME DE DÉCLENCHEMENT SÉQUENTIEL UNIQUE ou le MÉCANISME DE DÉCLENCHEMENT PAR CONTACT en fonction du travail à effectuer.

REMARQUE:

- Le MÉCANISME DE DÉCLENCHEMENT PAR CONTACT peut également être actionné en remplaçant par la gâchette (A) incluse (gâchette argent).
Pour plus de détails, voir “GÂCHETTE AVEC DÉCLENCHEMENT PAR CONTACT (gâchette argent)” à une page ultérieure.

Explication des diverses opérations de clouage

- MÉCANISME DE DÉCLENCHEMENT SÉQUENTIEL UNIQUE: Tout d’abord, appuyer le levier-poussoir contre la pièce, puis tirer sur la gâchette pour enfoncer le clou.
Quand un clou est enfoncé, il n’est plus possible d’enfoncer un autre clou tant que l’on n’a pas relâché la gâchette et appuyé à nouveau.
- MÉCANISME DE DÉCLENCHEMENT PAR CONTACT: Appuyer tout d’abord le levier-poussoir contre le bois, puis tirer sur la gâchette pour enfoncer le clou. Ou, tirer sur la gâchette, puis appuyer le levier-poussoir contre le bois pour enfoncer le clou.
Si la gâchette est maintenue tirée, un clou s’enfonce chaque fois que l’on appuie le levier-poussoir contre le bois.

MÉTHODES D’UTILISATION

Le cloueur est équipé d’un levier-poussoir et il ne fonctionne pas tant que le levier-poussoir n’est pas enfoncé (position supérieure).

Il y a deux façons d’enfoncer des clous avec le cloueur.

Ces deux méthodes sont:

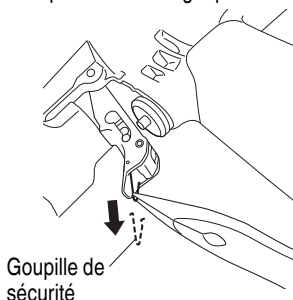
1. Fonctionnement intermittent (déclenchement par gâchette):
2. Fonctionnement continu (déclenchement par levier-poussoir):

Comment retirer la goupille de sécurité

- À la sortie d'usine, le mode d'entraînement de l'outil est verrouillé sur le MÉCANISME DE DÉCLENCHEMENT SÉQUENTIEL UNIQUE avec la goupille de sécurité.
- En retirant la goupille de sécurité comme illustré ci-dessous, l'outil peut être permuté entre le DÉCLENCHEMENT SÉQUENTIEL UNIQUE et le DÉCLENCHEMENT PAR CONTACT.

⚠ AVERTISSEMENT

- Lors du retrait de la goupille de sécurité, déconnectez le tuyau d'air de l'outil et retirez tous les clous.
- Sachez qu'une fois que la goupille de sécurité est retirée, la fonction de permutation entre DÉCLENCHEMENT SÉQUENTIEL UNIQUE et DÉCLENCHEMENT PAR CONTACT est activée.
- Utilisez des pinces comme celles illustrées ci-dessous pour extraire la goupille de sécurité.



⚠ ATTENTION

- La goupille de sécurité devrait être mise au rebut après son retrait.
- (1) Fonctionnement intermittent (déclenchement par gâchette)
Utilisez le réglage MÉCANISME DE DÉCLENCHEMENT SÉQUENTIEL UNIQUE.

⚠ AVERTISSEMENT

- Pour un fonctionnement intermittent, régler la tige de changement comme illustré sur la figure ci-dessous. (Ex. Régler sur MÉCANISME DE DÉCLENCHEMENT SÉQUENTIEL UNIQUE.)
- Pour éviter tout déclenchement double ou tout déclenchement accidentel du fait d'un rappel.

- 1) Régler le dispositif de commutation sur la position MÉCANISME DE DÉCLENCHEMENT SÉQUENTIEL UNIQUE.
- 2) Tirer sur la gâchette rapidement et fermement.

- ① Suivez les étapes ci-dessous pour régler le MÉCANISME DE DÉCLENCHEMENT SÉQUENTIEL UNIQUE (comme illustré sur les schémas qui suivent).

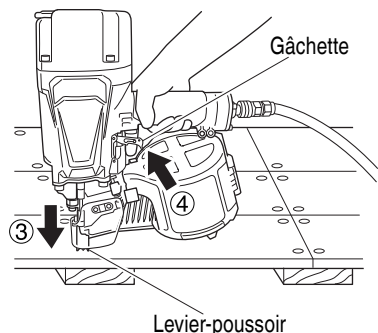
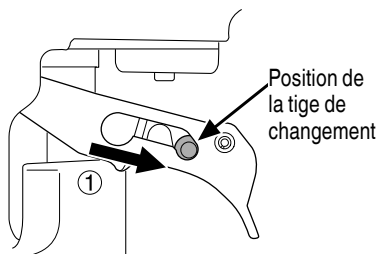
⚠ AVERTISSEMENT

- Déconnectez le tuyau d'air et retirez tous les clous.
- N'enfoncez pas le levier-poussoir.
- N'exercez pas une pression inutile et n'utilisez pas d'outil pour déplacer le dispositif de commutation.
- N'appuyez pas sur la butée de changement à toute autre fin que la permutation entre le DÉCLENCHEMENT SÉQUENTIEL UNIQUE et le DÉCLENCHEMENT PAR CONTACT.

- 1) Si la goupille de sécurité est laissée en place, sautez les étapes 2) à 3) et commencez de l'étape 4).
- 2) Appuyez au bas de la gâchette et ouvrez la butée de changement.
- 3) Saisissez la tige de changement entre les deux doigts et faites-la glisser vers le bas. (Règle le MÉCANISME DE DÉCLENCHEMENT SÉQUENTIEL UNIQUE)
- 4) Assurez-vous que la tige de changement est dans sa position adéquate comme illustré sur le schéma.
(Le cas contraire, il se peut que l'outil soit réglé sur le MÉCANISME DE DÉCLENCHEMENT PAR CONTACT.)

- ② Placer l'orifice de sortie des clous sur la pièce en enlevant le doigt de la gâchette.
- ③ Actionner fermement le levier-poussoir jusqu'à ce qu'il soit complètement enfoncé.
- ④ Tirer sur la gâchette pour enfoncer un clou.
- ⑤ Retirer le doigt de la gâchette.

Pour continuer à clouer à un autre endroit, déplacer le cloueur le long du bois en recommençant les opérations ② à ⑤ selon les besoins.



⚠ AVERTISSEMENT

- Un clou sera libéré chaque fois que la détente sera enfoncée, en autant que le levier-poussoir demeure enfoncé.

- (2) Fonctionnement continu (déclenchement par levier-poussoir)
Utilisation du MÉCANISME DE DÉCLENCHEMENT PAR CONTACT

⚠ AVERTISSEMENT

- Pour éviter tout déclenchement double ou tout déclenchement accidentel du fait d'un rappel.

- 1) Ne pas appuyer le cloueur trop fort contre le bois.
- 2) Eloigner le cloueur du bois car il effectue un rappel après le clouage.

- Si le crochet est accroché, n'utilisez pas le MÉCANISME DE DÉCLENCHEMENT PAR CONTACT.

- ① Suivez les étapes ci-dessous pour régler le MÉCANISME DE DÉCLENCHEMENT PAR CONTACT (comme illustré sur les schémas qui suivent).

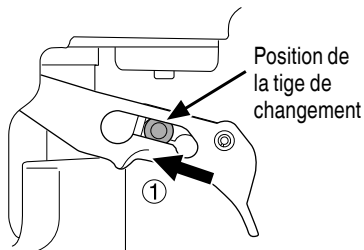
⚠ AVERTISSEMENT

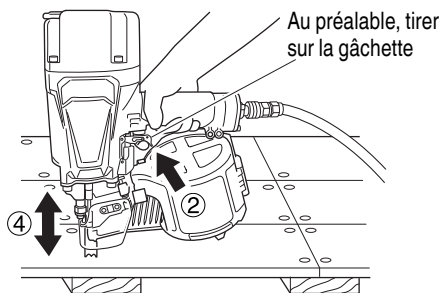
- Déconnectez le tuyau d'air et retirez tous les clous.
- N'enfoncez pas le levier-poussoir.
- N'exercez pas une pression inutile et n'utilisez pas d'outil pour déplacer le dispositif de commutation.
- N'appuyez pas sur la butée de changement à toute autre fin que la permutation entre le DÉCLENCHEMENT SÉQUENTIEL UNIQUE et le DÉCLENCHEMENT PAR CONTACT.

- 1) Retirez la goupille de sécurité si elle est encore fixée.
Voir "Comment retirer la goupille de sécurité" dans "MÉTHODES D'UTILISATION".
- 2) Appuyez au bas de la gâchette et ouvrez la butée de changement.
- 3) Saisissez la tige de changement entre les deux doigts et faites-la glisser vers le haut.
(Règle le MÉCANISME DE DÉCLENCHEMENT PAR CONTACT)
- 4) Assurez-vous que la tige de changement est dans sa position adéquate dans la gâchette comme illustré sur le schéma.
(Le cas contraire, il se peut que l'outil ne fonctionne pas correctement.)

- ② Tirer sur la gâchette en retirant le cloueur de la pièce.
- ③ Actionner le levier-poussoir contre la pièce pour enfoncer un clou.
- ③ Déplacer le cloueur le long de la pièce en lui faisant faire des bonds.
Chaque pression du levier-poussoir enfonce un clou.

Dès que le nombre de clous voulu est enfoncé, retirer le doigt de la gâchette.





⚠ AVERTISSEMENT

- Ne pas mettre le doigt sur la gâchette sauf pendant une opération de clouage, car un contact accidentel du levier-poussoir sur l'opérateur ou sur les personnes alentour pourrait entraîner des blessures graves.
- Ne pas approcher les mains ni le corps de la section de sortie des clous. Ce cloueur metabo HPT risque de faire un bond sous l'effet du rappel après l'enfoncement d'un clou, ce qui pourrait enfoncer un autre clou non prévu et provoquer des blessures.
- Certains types de clous peuvent s'éjecter de la buse pendant une opération de clouage quand ils sont chargés. Faire attention!

LE MÉCANISME DE DÉCLENCHEMENT SÉQUENTIEL UNIQUE est utilisé lorsqu'un placement précis des attaches est nécessaire.

Le MÉCANISME DE DÉCLENCHEMENT SÉQUENTIEL UNIQUE peut réduire les risques de blessures physiques pour l'opérateur et les autres personnes présentes sur l'aire de travail par rapport au MÉCANISME DE DÉCLENCHEMENT PAR CONTACT. **En effet, il risque moins d'enfoncer accidentellement un clou si l'on garde le doigt sur la gâchette et qu'on appuie accidentellement le levier-poussoir contre soi ou contre une autre personne.**

Le MÉCANISME DE DÉCLENCHEMENT SÉQUENTIEL UNIQUE peut également réduire la vitesse de fonctionnement par rapport au MÉCANISME DE DÉCLENCHEMENT PAR CONTACT. Il est conseillé aux opérateurs débutants d'utiliser LE MÉCANISME DE DÉCLENCHEMENT SÉQUENTIEL UNIQUE.

REMARQUE:

- Si l'on respecte bien tous les avertissements et toutes les instructions, le fonctionnement s'effectuera sans danger avec les deux systèmes : MÉCANISME DE DÉCLENCHEMENT SÉQUENTIEL UNIQUE et MÉCANISME DE DÉCLENCHEMENT PAR CONTACT.
- Toujours manier les clous et le paquet avec précaution. Si les clous tombent, le fil d'assemblage risque de se briser.
- Après le clouage:
 - 1) débrancher le tuyau d'air du cloueur;
 - 2) sortir tous les clous du cloueur;
 - 3) mettre 5 ou 10 gouttes d'huile de machine pneumatique metabo HPT dans le bouchon d'air du cloueur; et
 - 4) ouvrir le robinet de purge du réservoir du compresseur d'air pour purger toute l'humidité.

RÉGLAGE DE LA PROFONDEUR DE CLOUAGE

⚠ AVERTISSEMENT

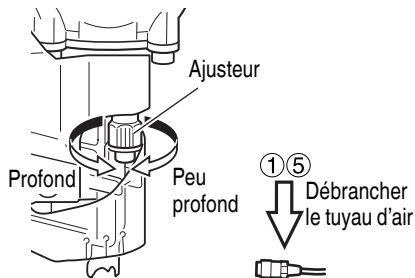
- Débrancher le tuyau d'air du cloueur avant de tourner l'ajusteur.

Pour que les clous s'enfoncent tous à la même profondeur, s'assurer que:

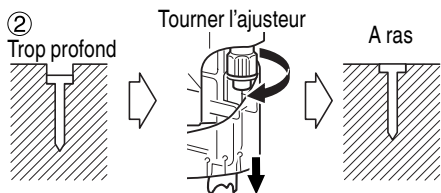
- 1) la pression d'air du cloueur reste constante (le régulateur est installé et il fonctionne normalement), et
- 2) le cloueur est toujours maintenu fermement contre la pièce.

Si les clous sont enfoncés trop loin ou pas assez dans la pièce, régler le clouage dans l'ordre suivant.

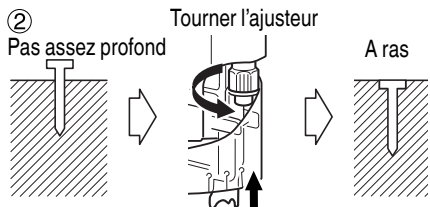
- ① DÉBRANCHER LE TUYAU D'AIR DU CLOUEUR.



- ② Si les clous s'enfoncent trop profondément, tourner l'ajusteur sur le côté peu profond. Les réglages s'effectuent par paliers d'un demi-tour.



Si les clous ne s'enfoncent pas assez profondément, tourner l'ajusteur sur le côté profond.



- ③ Cesser de tourner l'ajusteur quand on a trouvé la position qui convient lors de l'essai de clouage.
- ④ Brancher le tuyau d'air.
TOUJOURS PORTER DES LUNETTES DE PROTECTION.
Effectuer un clouage d'essai.
- ⑤ DEBRANCHER LE TUYAU D'AIR DU CLOUEUR.
- ⑥ Sélectionner la position de l'ajusteur qui convient.

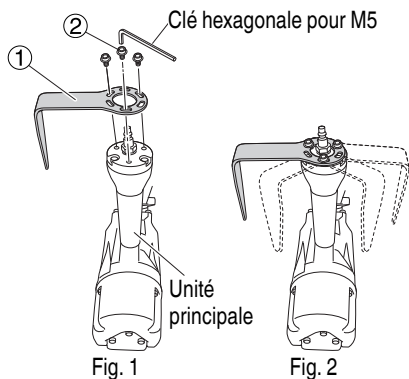
CROCHET À CHEVRON

Avec le NV83A5, un crochet inclus peut être fixé au moyen de trois boulons de bride M5 × 16 inclus avec les outils. Lorsque l'outil est retiré du tuyau et pas utilisé, le crochet peut être utilisé pour ranger l'appareil.

⚠ AVERTISSEMENT

- Lors de la fixation ou du retrait du crochet, assurez-vous que le tuyau est retiré et que les clous sont retirés de l'outil.

- (1) Comment fixer le crochet



- Lors de la fixation, utilisez une clé hexagonale pour M5 (vendue séparément).
- Fixez le crochet (①) à l'unité principale en trois emplacements au moyen des boulons de bride M5 × 16 (②) (Fig. 1).

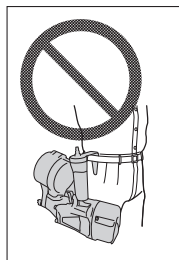
Couple de serrage		
8,3±0,5 N · m	6,1±0,4 ft.lbs	85±5 kgf · cm

- Le crochet peut être fixé dans n'importe quelle direction. Ajustez le crochet selon l'environnement de fonctionnement (Fig. 2).

- (2) Comment retirer le crochet
Retirez le crochet en inversant les étapes de fixation du crochet ci-dessus.

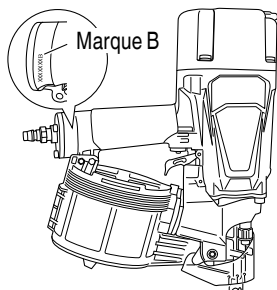
⚠ AVERTISSEMENT

- Lorsque le crochet est fixé, faites fonctionner l'outil **uniquement** avec le **MÉCANISME DE DÉCLENCHEMENT SÉQUENTIEL UNIQUE** et pas avec le **MÉCANISME DE DÉCLENCHEMENT PAR CONTACT**. Pour permuter entre le **DÉCLENCHEMENT SÉQUENTIEL UNIQUE** et le **DÉCLENCHEMENT PAR CONTACT**, voir la section pertinente dans "MÉTHODES D'UTILISATION".
- Déconnectez le tuyau d'air lors de l'accrochage de l'appareil.
- N'accrochez pas le crochet sur des emplacements élevés ou instables. De plus, ne l'accrochez pas au corps, aux vêtements, à une ceinture ou à d'autres articles personnels.
- Lors du remontage de la gâchette à une gâchette avec déclenchement par contact alors que le crochet est déjà fixé, retirez le crochet.



GÂCHETTE AVEC DÉCLENCHEMENT PAR CONTACT (gâchette argent)

La gâchette avec déclenchement par contact (gâchette argent) ne peut être utilisée qu'avec des corps portant une marque "B" imprimée à côté du numéro de série du corps. Il ne peut pas être utilisé avec des corps non imprimés avec la marque "B".



Si l'ensemble gâchette (gâchette noire) fixé sur le cloueur est remplacé par la gâchette (A) (gâchette argent), alors le cloueur peut seulement fonctionner au moyen du MÉCANISME DE DÉCLENCHEMENT PAR CONTACT expliqué dans la section "UTILISATION DU CLOUEUR". Le fonctionnement avec le MÉCANISME DE DÉCLENCHEMENT SÉQUENTIEL UNIQUE n'est plus possible.

La méthode de fonctionnement du MÉCANISME DE DÉCLENCHEMENT PAR CONTACT est telle que décrite en ① et ② ci-dessous.

- ① Appuyer tout d'abord le levier-poussoir contre le bois; ensuite, enclencher la gâchette pour enfoncer le clou.
- ② Enclencher tout d'abord la gâchette; ensuite, appuyer le levier-poussoir contre la pièce à usiner pour enfoncer le clou.

Si la gâchette est maintenue enclenchée, un clou s'enfoncé chaque fois que le levier-poussoir est appuyé contre la pièce à usiner.

⚠ AVERTISSEMENT

- Lors du remontage pour remplacer l'ensemble gâchette (gâchette noire) par la gâchette (A) (gâchette argent), veiller à détacher le flexible d'air et à retirer tous les clous de l'intérieur du cloueur.
- Pour utiliser à nouveau le MÉCANISME DE DÉCLENCHEMENT SÉQUENTIEL UNIQUE, il est nécessaire de revenir à l'ensemble gâchette d'origine (gâchette noire). Pour revenir à l'ensemble gâchette d'origine (gâchette noire), veiller à apporter le cloueur au magasin où il a été acheté ou à un centre de service metabo HPT autorisé pour solliciter le remplacement.

- Pour éviter tout déclenchement double ou tout déclenchement accidentel du fait d'un rappel :

- 1) Ne pas appuyer le cloueur trop fort contre la pièce à usiner.
- 2) Éloigner le cloueur de la pièce à usiner, car il effectue un rappel après le clouage.

- (1) Retrait de l'ensemble gâchette (gâchette noire)
Outils requis : Petit tournevis à tête plate
Déposer le ressort et la bague de l'arbre, extraire la goupille de la gâchette et retirer l'ensemble gâchette (gâchette noire).

Cependant, il convient de prêter attention aux points suivants.

- Débrancher le tuyau d'air.
RETIREZ TOUS LES CLOUS DU CLOUEUR.
- Utilisez un petit tournevis à tête plate pour retirer la bague de l'arbre.
Taper sur la goupille de la gâchette pour la retirer peut provoquer la rupture de la bague d'arbre.
- Lors du retrait de l'ensemble gâchette (gâchette noire), le ressort peut se détacher.
- Lors du démontage, veillez à ce que le piston de la gâchette ne tombe pas. S'il tombe, vérifiez les points suivants :
Vérifiez qu'il n'y a pas de corps étranger collé au piston de la gâchette et s'il y en a un, retirez-le.
Reportez-vous à la "Vue agrandie de la partie de la vanne" dans la section précédente et réinstallez le piston de la gâchette.
- Rangez l'ensemble gâchette (gâchette noire) et le ressort démontés dans un endroit sûr. Ils seront nécessaires lors de la restauration de l'ensemble gâchette d'origine (gâchette noire).
De plus, ne réutilisez pas la bague de l'arbre démontée; remplacez-la par une nouvelle.
De plus, lorsque vous restaurez l'ensemble gâchette d'origine (gâchette noire), veillez à faire effectuer le travail par le magasin où le cloueur a été acheté ou par un service après-vente metabo HPT agréé.

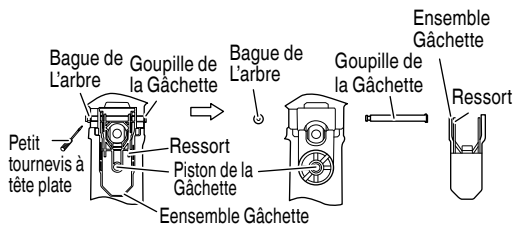


Fig. 3

- (2) Ensemble de la gâchette (A) (gâchette argent)
Le montage peut être réalisé selon la procédure indiquée par la Fig. 4.

Cependant, il convient de prêter attention aux points suivants.

Tel qu'illustré à la Fig. 4, faites passer la goupille de la gâchette fermement dans le trou de la gâchette (A) et installez la bague de l'arbre sur la goupille de la gâchette.

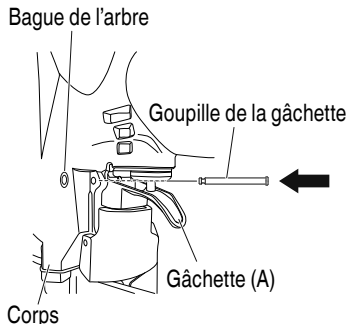


Fig. 4

- (3) Inspection après montage
Effectuez une inspection après le montage en respectant la procédure ci-dessous.

- ① Débranchez le tuyau d'air.
RETIREZ TOUS LES CLOUS DU CLOUEUR

LE LEVIER-POUSOIR ET LA GÂCHETTE DOIVENT SE DÉPLACER SANS À-COUPS.

- ② Réglez la pression d'air à 70 psi (4,9 bar, 5 kgf/cm²).
Connectez le tuyau d'air.

LE CLOUEUR NE DOIT PAS PRÉSENTER DE FUIITE D'AIR.

- ③ Retirez votre doigt de la gâchette et appuyez le levier-poussoir contre la pièce à usiner.

LE CLOUEUR NE DOIT PAS FONCTIONNER.

- ④ Séparez le levier-poussoir de la pièce à usiner. Puis pointez le cloueur vers le bas, enclenchez la gâchette et gardez cette position pendant 5 secondes ou plus.

LE CLOUEUR NE DOIT PAS FONCTIONNER.

- ⑤ En maintenant le cloueur hors du bois, enclenchez la gâchette. Ensuite, appuyez le levier-poussoir contre la pièce à usiner.

LE CLOUEUR DOIT FONCTIONNER.

- ⑥ Ensuite, appuyez le levier-poussoir contre la pièce à usiner. Enclenchez la gâchette.

LE CLOUEUR DOIT FONCTIONNER.

Si aucun fonctionnement anormal n'est observé, vous pouvez charger des clous dans le cloueur. Enfoncez les clous dans un matériau du même type que celui du travail proprement dit.

LE CLOUEUR DOIT FONCTIONNER CORRECTEMENT.

Si un problème se produit pendant l'inspection décrite ci-dessus, n'essayez pas de réparer vous-même le cloueur; veuillez l'apporter au service après-vente metabo HPT agréé le plus proche.

ENTRETIEN

REMARQUE: Les informations contenues dans ce manuel ont pour but d'aider l'opérateur à utiliser le cloueur en toute sécurité.

Certaines des illustrations du manuel peuvent montrer des détails ou des accessoires qui diffèrent de ceux de votre cloueur.

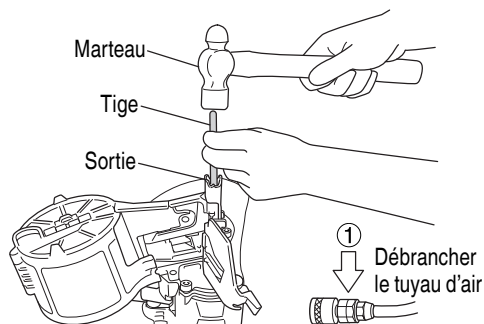
ENTRETIEN ET INSPECTION

Lire la section intitulée "SECURITE" (pages 26-31).

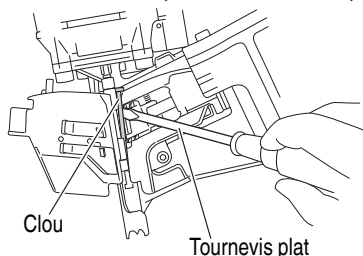
⚠ AVERTISSEMENT

- **Débrancher le tuyau d'air et sortir tous les clous du cloueur quand:**
 - 1) on entretient ou on inspecte le cloueur; et
 - 2) on retire des clous coincés.

1. Elimination d'un blocage
Retirer un clou bloqué dans l'ordre suivant:
 - ① DEBRANCHER LE TUYAU D'AIR.
 - ② Ouvrir le guide-clous.
 - ③ Insérer une tige dans la sortie.
Taper sur la tige avec un marteau.



④ Retirer le clou bloqué avec un tournevis plat.



⑤ Couper le fil de fixation déformé avec des tenailles.

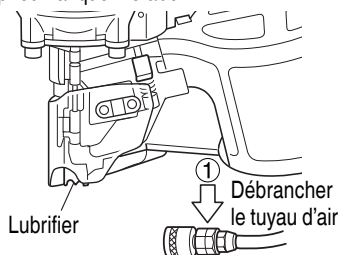
Corriger la déformation.

⑥ En cas de blocages fréquents, contacter un centre de réparation autorisé metabo HPT.

2. Inspection du levier-poussoir

① DEBRANCHER LE TUYAU D'AIR.

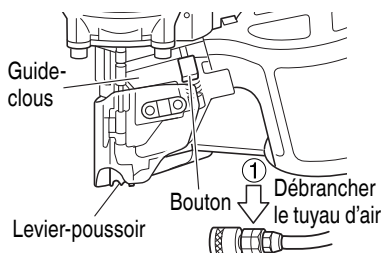
② Nettoyer la partie coulissante du levier-poussoir. La lubrifier avec le lubrifiant pour outil pneumatique metabo HPT.



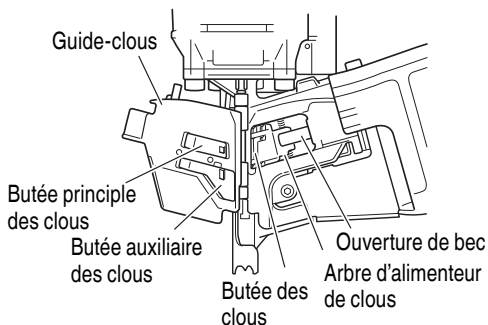
3. Inspection des chargeurs

① DEBRANCHER LE TUYAU D'AIR.

② Nettoyer la partie coulissante du bouton. La lubrifier avec le lubrifiant pour outil pneumatique metabo HPT.



③ Ouvrir le guide-clous et retirer la poussière. Lubrifier la fente coulissante du chargeur et les arbres.



④ Lubrifier les surfaces de chargement du bec et le guide-clous après le nettoyage.

Cela favorise un fonctionnement doux et protège de la rouille.

⚠ ATTENTION

● Vérifier que l'arrêt principal de clou et l'arrêt secondaire de clou coulissent sans offrir de résistance, ce qui peut être vérifié en les actionnant du doigt.

S'il existe une résistance, les clous risquent d'être chargés suivant une orientation anormale et ceci présente un risque d'accident aux personnes en présence.

4. Inspection du magasin

① DEBRANCHER LE TUYAU D'AIR.

② Nettoyer le magasin. Retirer la poussière ou les petits morceaux de bois qui se sont accumulés dans le magasin.

5. Remisage

○ Si l'on ne se sert pas du cloueur pendant un certain temps, enduire ses pièces en acier d'une mince couche de graisse pour éviter toute corrosion.

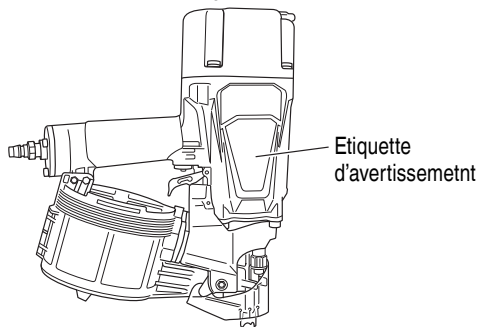
○ Ne pas remiser le cloueur dans un environnement froid.

Le laisser dans un endroit chaud.

- Lorsqu'on ne se sert pas du cloueur, le remettre dans un endroit chaud et sec.
Le ranger hors de portée des enfants.

6. ETIQUETTE D'AVERTISSEMENT

Ne pas utiliser le cloueur si l'ÉTIQUETTE D'AVERTISSEMENT manque ou est endommagée. Se procurer une nouvelle ETIQUETTE D'AVERTISSEMENT auprès d'un service après-vente metabo HPT agréé.



- 7. Tableau d'entretien (voir page 48)
- 8. Guide de dépannage de l'opérateur (voir page 49)

⚠ ATTENTION

- **Lors de l'utilisation et de l'entretien d'un outil électrique, respecter les règlements et les normes de sécurité en vigueur dans le pays en question.**

Tableau d'entretien

ACTION	POURQUOI	COMMENT
Purger le filtre de la ligne d'air tous les jours.	Eviter l'accumulation d'humidité et de poussière.	Ouvrir le robinet de purge manuel.
Veiller à ce que le lubrificateur soit toujours plein.	Maintenir le cloueur bien graissé.	Remplir d'huile de machine pneumatique metabo HPT.
Nettoyer l'élément du filtre et souffler de l'air à travers le filtre dans le sens opposé au flux normal tous les jours.	Eviter le colmatage du filtre par la saleté.	Suivre les instructions du fabricant.
Nettoyer le magasin et le mécanisme de l'alimenteur de clous.	Eviter que les clous ne se coincent.	Nettoyer en soufflant de l'air tous les jours.
Veiller à ce que le levier-poussoir fonctionne toujours correctement.	Assurer la sécurité de l'opérateur et un fonctionnement efficace du cloueur.	Nettoyer en soufflant de l'air tous les jours.
Graisser le cloueur après l'utilisation.	Rallonger la durée de service du cloueur.	Mettre 5 ou 10 gouttes de graisse dans le cloueur.
Purger le compresseur d'air tous les jours.	Maintenir le cloueur en bon ordre de marche.	Ouvrir le robinet de purge du réservoir du compresseur d'air.

ENTRETIEN ET REPARATIONS

⚠ AVERTISSEMENT

- **Les réparations du cloueur seront confiées exclusivement au personnel d'entretien formé par metabo HPT, au distributeur ou à l'employeur.**
- **Pour les réparations, utiliser exclusivement des pièces fournies ou recommandées par metabo HPT.**

Du fait de l'usure normale, les cloueurs de qualité finissent toujours par avoir besoin d'un entretien ou d'un remplacement de pièce.

REMARQUE: Les spécifications sont sujettes à modification sans préavis et sans aucune obligation de la part de metabo HPT.

Guide de dépannage de l'opérateur

En suivant le tableau ci-dessous, la plupart des problèmes mineurs pourront être corrigés rapidement et en toute facilité.

Si le problème persiste, contacter un service après-vente metabo HPT agréé.

PROBLEME	VERIFICATION	CORRECTION
Le cloueur fonctionne, mais les clous ne s'enfoncent pas.	Vérifier si un clou est coincé.	Dégager le clou.
	Vérifier le fonctionnement de l'alimenteur à la page 47.	Nettoyer et graisser.
	Vérifier si l'on utilise les bons clous.	Utiliser uniquement les clous recommandés.
Entraînement faible. Cycle lent.	Vérifier la pression d'air.	Augmenter la pression d'air. (Ne pas dépasser 120 psi (8.3 bars 8.5 kgf/cm ² .)
	—	Utiliser une huile de machine pneumatique metabo HPT.
	La lame d'entraînement est-elle usée?	Contacter metabo HPT pour le remplacement.
	Le joint torique du piston est-il usé ou endommagé?	
Les clous s'enfoncent trop profondément.	Vérifier la pression d'air.	Réduire la pression d'air. (Régler sur 70–120 psi)
Certains clous sont sautés. Alimentation intermittente.	Vérifier si l'on utilise les bons clous.	Utiliser uniquement les clous recommandés.
	Vérifier le fonctionnement de l'alimenteur à la page 47.	Nettoyer et graisser.
	Vérifier la position du porte-clous dans le magasin à la page 39.	Ajuster le porte-clous sur la position correcte.
	—	Utiliser une huile de machine pneumatique metabo HPT.
	Le joint torique du piston est-il coupé ou très usé?	Contacter metabo HPT pour le remplacement.
Des clous se coincent. Les clous enfoncés sont tordus.	Vérifier si l'on utilise les bons clous.	Utiliser uniquement les clous recommandés.
	La lame d'entraînement est-elle usée?	Contacter metabo HPT pour le remplacement.
Les clous s'enfoncent bien normalement, mais pas complètement à des vitesses supérieures.	Vérifier le diamètre intérieur du tuyau d'air.	Utiliser un tuyau d'air plus large.

INFORMACIÓN IMPORTANTE SOBRE SEGURIDAD



Lea y comprenda el significado de las etiquetas de la herramienta y todas las instrucciones de funcionamiento, las precauciones de seguridad y las advertencias de este manual antes de realizar la operación o el mantenimiento de este clavador.

La negligencia en la observación de las advertencias puede producir la MUERTE o LESIONES DE GRAVEDAD.

La mayoría de los accidentes se ocurridos al utilizar o mantener este clavador se deben a la falta de tener en cuenta las normas de seguridad y precauciones básicas. Los accidentes podrán evitarse en muchos casos dándose cuenta de una situación peligrosa antes de que se produzca, y observando fielmente los procedimientos de seguridad apropiados.

Las precauciones básicas de seguridad se describen en la sección "SEGURIDAD" de este manual, y en las secciones que contienen las instrucciones sobre operación y mantenimiento.

Los riesgos que habrá que eludir para evitar lesiones o el daño de la máquina se identifican mediante PELIGRO y ADVERTENCIA en el clavador y en este manual.

No utilice NUNCA este clavador para aplicaciones que no sean las especificadas en este manual.

DEFINICIÓN DE LAS PALABRAS CLAVE

PELIGRO indica una situación inminentemente peligrosa que, si no se evita, puede resultar en lesiones serias o en la muerte.

ADVERTENCIA indica una situación potencialmente peligrosa que, si no se evita, puede resultar en lesiones serias o en la muerte.

PRECAUCIÓN indica una situación potencialmente peligrosa que, si no se evita, puede resultar en lesiones menores, o en el daño de la máquina.

NOTA enfatiza información esencial.

EXPLICACIÓN LA ACCIÓN DE CLAVADO DEL CLAVADOR metabo HPT

- MECANISMO DE ACTUACIÓN SECUENCIAL SIMPLE:
En primer lugar, presione la palanca de empuje contra la madera y, a continuación, jale el gatillo para introducir el sujetador.
Una vez que se introduzca un clavo, no se podrá volver a clavar hasta que suelte el gatillo y lo vuelva a presionar.
- MECANISMO DE ACTUACIÓN POR CONTACTO:
En primer lugar, presione la palanca de empuje contra la madera y, a continuación, jale el gatillo para introducir el sujetador.
En primer lugar, jale el gatillo y, seguidamente, presione la palanca de empuje contra la madera para que se introduzca el sujetador.
Si mantiene el gatillo apretado, se introducirá un clavo cada vez que se presiona la palanca de empuje contra la madera.
- * Cuando se envía, este producto está bloqueado en ACTUACIÓN SECUENCIAL SIMPLE.
Refiérase a "MÉTODOS DE OPERACIÓN" para obtener información sobre cómo cambiar de un mecanismo a otro.

SEGURIDAD

INSTRUCCIONES IMPORTANTES DE SEGURIDAD PARA LA UTILIZACIÓN DEL CLAVADOR

INSTRUCCIONES PARA EVITAR UN RIESGO DE INCENDIO, UNA DESCARGA ELÉCTRICA O LESIONES

● General

Para reducir el riesgo de descarga eléctrica, incendio o lesiones, **LEA TODAS LAS INSTRUCCIONES ANTES DE UTILIZAR LA HERRAMIENTA.**

⚠ PELIGRO

1. LOS OPERADORES Y DEMÁS PERSONAS QUE SE ENCUENTREN EN EL ÁREA DE TRABAJO DEBEN USAR PROTECCIÓN PARA LOS OJOS (GAFAS DE SEGURIDAD CON BLINDAJES LATERALES).



Antes de utilizar el clavador, utilice siempre gafas protectoras con blindajes laterales, y asegúrese de que también sea utilizada por todas las personas que se encuentren en el área de trabajo.

Las gafas protectoras deberán estar de acuerdo con los requisitos del Instituto de Normas Nacionales Americanas, ANSI Z87.1 y proporcionar protección contra las partículas despididas desde la parte frontal y posterior.

Las gafas ordinarias no brindan una protección adecuada.

El empresario deberá hacer que el operador del clavador y demás personas que se encuentren en el área de trabajo utilicen en todo momento gafas protectoras.

2. NO UTILICE GASES REACTIVOS NI OTROS GASES EMBOTELLADOS. PODRÍA PRODUCIRSE UNA EXPLOSIÓN.



No utilice nunca gases reactivos, como oxígeno, gases combustibles, etc. como fuente de propulsión de este clavador.

La utilización de estos gases, o de otros gases embotellados, es peligrosa, ya que el clavador podría explotar.

Utilice solamente aire comprimido limpio, seco, y regulado.

⚠ ADVERTENCIA

3. NO DIRIJA NUNCA LA HERRAMIENTA HACIA SÍ MISMO O HACIA OTRAS PERSONAS DEL ÁREA DE TRABAJO.



Piense siempre que el clavador puede tener clavos cargados.

No dirija nunca el clavador hacia sí mismo o hacia otras personas, independiente de que contenga o no clavos.

Si utilizase los clavos incorrectamente, podrían producirse lesiones serias.

No juegue nunca con el clavador.

Trate el clavador como herramienta de trabajo.

4. NO COLOQUE EL DEDO EN EL GATILLO Y MANTENGA LOS DEDOS ALEJADOS DEL GATILLO CUANDO NO CLAVE CLAVOS PARA EVITAR UNA DESCARGA ACCIDENTAL.

No transporte nunca el clavador con el dedo en el gatillo, porque podría lanzar un clavo y lesionarse usted mismo o a otra persona.

Transporte siempre el clavador por la empuñadura solamente.

5. CONOZCA Y COMPRENDA EL SISTEMA DE CLAVADOR QUE ESTÁ UTILIZANDO.

Lea y comprenda la sección titulada “MÉTODOS DE OPERACIÓN”. (páginas 64–67)

6. NO REALICE NINGÚN CONTACTO CON EL EXTREMO DE SEGURIDAD (PALANCA DE EMPUJE) CUANDO NO CLAVE.

SEGURIDAD — Continuación

⚠ ADVERTENCIA

Cuando utilice herramientas, deberán tomarse siempre precauciones básicas, incluidas las siguientes:

1. Zona de trabajo

- (1) **Mantenga la zona de trabajo limpia y bien iluminada.**

Los bancos llenos de cosas y las zonas oscuras aumentan el riesgo de descarga eléctrica, incendio y lesiones.

- (2) **No utilice el clavador en atmósferas explosivas, como por ejemplo en presencia de líquidos inflamables, gases inflamables o polvo combustible.**

El clavador puede crear chispas que podrían incendiar el polvo o los gases.

- (3) **Mantenga a los viandantes, los niños y los visitantes alejados mientras utiliza el clavador.** Las distracciones podrían causar la pérdida de control del clavador.

2. Seguridad personal

- (1) **Permanezca alerta. Céntrese en su trabajo y utilice el sentido común cuando trabaje con el clavador. No utilice el clavador cuando esté cansado, después de haber consumido drogas o alcohol, o mientras esté bajo la influencia de medicamentos.**

Un momento de despiste cuando se utiliza el clavador aumenta el riesgo de lesiones.

- (2) **Utilice ropa adecuada. No utilice ropa suelta o joyas. Recójase el pelo. Mantenga el pelo, la ropa y los guantes alejados de las partes móviles.**

La ropa suelta, las joyas o el pelo largo aumentan el riesgo de lesiones, ya que podrían pillarse con las partes móviles.

- (3) **Evite una puesta en marcha involuntaria. Asegúrese de que el interruptor está apagado antes de conectar el aparato al suministro de aire.** No transporte el clavador con el dedo colocado en el interruptor o lo conecte al suministro de aire con el interruptor encendido.

- (4) **⚠ ADVERTENCIA** – Desconecte el clavador del suministro de aire antes de realizar ajustes, realizar el mantenimiento del clavador, eliminar atascos, tocar la palanca de empuje, cuando no lo esté usando, al salir del área de trabajo, al dejar el clavador fuera de la supervisión o el control del operador, al cargar

o descargar el clavador, al entregárselo a otra persona, al elevar, bajar o mover en cualquier otra forma el clavador a una nueva ubicación.

No trate de desatascar o reparar el clavador salvo que haya desconectado el conducto de aire del clavador y retirado todos los clavos que queden en el mismo. El clavador no deberá dejarse nunca desatendido, ya que podría ser utilizado por personas no familiarizadas con el mismo, pudiéndose lesionar. Dichas medidas de precaución reducen el riesgo de lesiones.

- (5) **No estire el cuerpo. Mantenga los pies bien colocados y el equilibrio en todo momento.** El mantener los pies bien colocados y el equilibrio permite un mayor control del clavador en situaciones inesperadas.

- (6) **Utilice equipo de seguridad.** Deberán utilizarse una máscara para el polvo, zapatos de seguridad anti-deslizamiento y un casco para las condiciones aplicables.

- (7) **⚠ ADVERTENCIA** – **Riesgo de pérdida auditiva. Lleve protección auditiva.**

La protección auditiva deberá tener una Calificación de reducción de ruido (NRR) determinada de acuerdo con las reglas de la Agencia de Protección Medioambiental de los Estados Unidos que sea adecuada para la exposición al ruido.

- (8) **Utilice siempre protección para la cabeza. Utilice siempre protección para la cabeza para protegerse de objetos que salgan despedidos.**

- (9) **No coloque la manguera o el clavador en su cuerpo.**

Coloque la manguera en la estructura para reducir el riesgo de pérdida de equilibrio en caso de que la manguera se mueva.

- (10) **⚠ ADVERTENCIA** – **Clave clavos solo en una superficie de trabajo adecuada.** No clave los clavos en otros clavos. Esto podría hacer que los clavos se desvien y golpeen a alguna persona, o hagan que el clavador reaccione y provoque lesiones.

3. Uso y cuidado del clavador

- (1) **Utilice agarraderas u otra forma práctica de fijación y apoye la pieza de trabajo sobre una plataforma estable.**

SEGURIDAD — Continuación

⚠ ADVERTENCIA

Sujetar el trabajo con las manos o contra el cuerpo es inestable y podría causar una pérdida de control.

- (2) **No fuerce el clavador.** Utilice el clavador correcto para la aplicación. El clavador correcto hará el trabajo mejor y de forma más segura a la velocidad a la que el clavador está diseñado.
- (3) **No utilice el clavador si el interruptor no enciende o apaga el clavador.** Los clavadores que no pueden controlarse con el interruptor son peligrosos y deberán repararse.
No utilice clavadores defectuosos o que funcionen de forma anormal. Si el clavador funciona de forma anormal, hace ruidos extraños o parece estar defectuoso, deje de utilizarlo inmediatamente y llévelo a un centro de servicio autorizado de metabo HPT para su reparación.
- (4) **Desconecte el clavador de la fuente de aire antes de realizar cualquier ajuste, cambiar accesorios o guardar el clavador.** Dichas medidas de seguridad preventivas reducen el riesgo de que el clavador se ponga en marcha involuntariamente.
- (5) **Guarde el clavador fuera del alcance de los niños y de las personas no capacitadas para su uso cuando no se utilice.** Los clavadores son peligrosos en manos de usuarios no capacitados.
- (6) **Mantenga el clavador con cuidado.** Mantenga el clavador limpio y lubricado para un funcionamiento mejor y más seguro.
- (7) **Verifique el fallo de alineación o de unión de las partes móviles, la rotura de las partes y otras condiciones que puedan afectar a la operación del clavador.**

Si el clavador está dañado, llévelo a reparar antes de utilizarlo. Debido a la alta presión de aire en el clavador, las grietas en la superficie son peligrosas. Para evitarlo, no deje que se caiga el clavador ni lo golpee contra superficies duras, y no arañe o haga grabaciones en el mismo. Muchos accidentes se producen por un mantenimiento incorrecto de los clavadores. Existe riesgo de explosión si el clavador está dañado.

- (8) **No utilice el clavador si no está en orden de operación adecuado.** Etiquetas y divisiones físicas deberán ser usadas para el control.
- (9) **Utilice solo accesorios identificados por metabo HPT para el clavador específico.** El uso

de accesorios con el clavador no previstos aumenta el riesgo de lesiones.

- (10) **Utilice solo los clavos indicados en la sección Accesorios de este manual.** Los clavos que metabo HPT no identifique para su utilización con este clavador podrían producir un riesgo de lesiones o podrían dañar el clavador cuando se utilicen en el mismo.

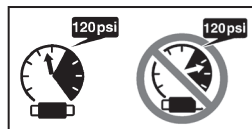
4. Mantenimiento

- (1) **El mantenimiento de la herramienta deberá ser realizado sólo por personal de reparación cualificado.**
- (2) **Cuando realice el mantenimiento de un clavador, utilice sólo piezas de repuesto idénticas. Utilice solo piezas autorizadas.**
- (3) **Utilice solo los lubricantes suministrados con el clavador o especificados por metabo HPT.**

5. Fuente de aire

- (1) **No realice la conexión nunca a una fuente de aire que pueda superar 200 psi (13.7 bar 14 kgf/cm²) si un regulador falla.**

El exceso de presión en el clavador podría provocar una explosión, un funcionamiento anormal, una rotura del clavador o lesiones graves.



NO SUPERE 120 psi (8.3 bar 8.5 kgf/cm²).

Utilice solo aire comprimido limpio, seco y regulado a la presión nominal o dentro del rango de presión nominal tal como se indique en el clavador.

Antes de utilizar el clavador, compruebe siempre que la fuente de aire se ha ajustado a la presión de aire nominal o dentro del rango aire-presión nominal.

- (2) **No utilice nunca gases reactivos, como oxígeno, dióxido de carbono, gases combustibles o botellas de gas como fuente de aire para el clavador.** Dichos gases podrían explotar y producir lesiones graves.

6. Otros

- (1) **Antes de empezar a trabajar, verifique el dispositivo de conmutación para la operación de clavado.**

SEGURIDAD — Continuación

⚠ ADVERTENCIA

Este clavador metabo HPT incluye un dispositivo de conmutación para la operación de clavado.

Antes de empezar a trabajar, verifique el ajuste del dispositivo de conmutación para la operación de clavado.

Si el dispositivo de conmutación para la operación de clavado no está debidamente ajustado, el clavador no funcionará correctamente.

- (2) **Seleccione siempre el dispositivo de conmutación que sea apropiado para la aplicación y la capacitación del operador.**
- (3) **Al cambiar entre SECUENCIAL SIMPLE y POR CONTACTO, desconecte la manguera de aire y remueva todos los clavos.**
- (4) **Cuando el gancho esté montado, operar únicamente con el MECANISMO DE ACTUACIÓN SECUENCIAL SIMPLE y no con el MECANISMO DE ACTUACIÓN POR CONTACTO.**
- (5) **Tenga cuidado del doble fuego y de ser golpeado por el clavador debido al retroceso.** Luego de clavar un clavo, el clavador podría retroceder causando que se aleje de la superficie de trabajo. Para reducir el riesgo de lesión, controle el retroceso:
 - 1) Manteniendo siempre el control del clavador.
 - 2) Permitiendo que el retroceso aleje el clavador de la superficie de trabajo.
 - 3) No resistiéndose al retroceso de forma que el clavador se fuerce de nuevo hacia la superficie de trabajo. En "MECANISMO DE ACCIONAMIENTO DEL CONTACTO", si se permite que la palanca de empuje vuelva a contactar con la superficie de trabajo antes de soltar el gatillo, ocurrirá una descarga no deseada de un clavo. Para evitar este doble fuego no deseado,
 - Operación intermitente (Disparo de gatillo)
 - ① Ajuste el mecanismo de conmutación a MECANISMO DE ACTUACIÓN SECUENCIAL SIMPLE.
 - ② Jale el gatillo rápida y firmemente.
 - Funcionamiento continuo (Presione el disparo de palanca)
 - ① Coloque el dispositivo de conmutación del ensamblaje del gatillo (gatillo negro) en ACTUACIÓN POR CONTACTO. O cambie el gatillo (A) (gatillo plateado) incluido.
 - ② No presione el clavador contra la madera con una fuerza excesiva.

③ Retire el clavador de la madera después de efectuar el clavado.

- 4) Manteniendo la cara y las partes del cuerpo alejadas del clavador.
- (6) **No utilice nunca un acoplador sin descarga con el clavador.** Si utiliza un acoplador sin descarga en el clavador, éste podría permanecer cargado con aire después de haberlo desconectado y, por lo tanto, disparar un clavo incluso después de haberlo desconectado. El clavador y la manguera de aire deben contar con un acople de manguera, de manera que se pueda remover toda la presión del clavador al desconectar la junta de acoplamiento.
- (7) **Compruebe la palanca de empuje antes de la utilización.** Cerciérese de que la palanca de empuje funciona adecuadamente y de que no está inutilizada, desconectada o modificada. (La palanca de empuje puede denominarse "Seguridad"). No utilice nunca el clavador a menos que la palanca de empuje funcione adecuadamente, ya que de lo contrario el clavador podría disparar inesperadamente un clavo. No cambia ni quite la palanca de empuje, ya que de lo contrario la palanca de empuje se volverá inoperable.
- (8) **Mantenga todos los tornillos y cubiertas bien apretados en su lugar.** Mantenga todos los tornillos y cubiertas firmemente apretados. Compruebe periódicamente su condición. No utilice nunca el clavador si hay piezas perdidas o dañadas.
- (9) **No cargue clavos con el gatillo o la palanca de empuje presionada.** Cuando cargue clavos en el clavador, o cuando conecte la manguera de aire,
 - 1) no apriete el gatillo;
 - 2) no presione la palanca de empuje; y
 - 3) mantenga el clavador apuntado hacia abajo.
- (10) **Mantenga las manos y el cuerpo alejados del cabezal de disparo durante su uso.** No coloque las manos ni los pies a menos de 8 pulgadas (200 mm) de la cabeza de salida de clavos. Si la pieza de trabajo desvía los clavos o si éstos salen del punto de introducción puede sufrir lesiones serias.
- (11) **Cuando trabaje cerca del borde de una pieza de trabajo o en ángulos muy agudos, o al clavar clavos en una pieza de trabajo fina, tenga cuidado para minimizar la aparición de virutas, astillas y divisiones, o el vuelo libre, el rebote o la perforación de los clavos, ya que podrían causar lesiones.**

SEGURIDAD — Continuación

ADVERTENCIA

- (12) **No clave nunca clavos desde ambos lados de una pared al mismo tiempo.** Los clavos podrían traspasar el panel y lesionar a la persona que se encuentra en el lado opuesto.
- (13) **Tenga cuidado adicional cuando clave clavos con el clavador en paredes existentes y otras áreas ciegas, para evitar el contacto con objetos (p. ej. cables, tuberías, etc.) o personas ocultas que se encuentren en el otro lado.**
- (14) **Compruebe si hay cables activos.** Evite el riesgo de descargas eléctricas comprobando si hay cables activos escondidos en paredes, suelos o techos. Abra el disyuntor para asegurarse de que no quedan cables activos.
- (15) **No levante, tire del clavador ni lo baje jalando de la manguera.**
- (16) **No desconecte la manguera de aire del clavador con el dedo puesto en el gatillo.** El clavador podría disparar un clavo cuando reconectase el suministro de aire.
- (17) **Maneje Correctamente El Clavador.** Maneje el clavador de acuerdo con las instrucciones de este manual. No permita que el clavador sea utilizado por niños, personal no autorizado o personas que no estén familiarizadas con su funcionamiento.
- (18) **No utilice nunca el clavador para aplicaciones que no sean las especificadas en este manual.**
- (19) **No modifique ni altere nunca el clavador.** Si lo hiciera podría funcionar mal y provocar lesiones.
- (20) **No quite el tapón guardapolvo.** Podrían salir despedidos fragmentos del alambre que une los clavos.
- (21) **Cierre la guía de los clavos y no la abra durante la operación.** Si clavase clavos con la guía de la misma abierta, éstos podrían desviarse de la pieza de trabajo.
- (22) **Desconecte la manguera de aire cuando fije el gancho.**
- (23) **No fije el gancho en ubicaciones altas o inestables. Además, no lo fije en el cuerpo, la ropa, el cinturón u otros útiles personales.**
- (24) **Cuando vuelva a montar el gatillo en un gatillo de actuación por contacto con el gancho ya acoplado, retire el gancho.**

RESPONSABILIDADES DEL EMPLEADOR, EL PROPIETARIO DE LA HERRAMIENTA Y EL OPERADOR DE LA HERRAMIENTA

- Asegúrese de que este MANUAL esté al alcance de los operadores y del personal de mantenimiento.
- Seleccione un dispositivo de comunicación apropiado considerando las aplicaciones para las que se usa el clavador.
- Capacite al operador en el uso seguro del clavador, como se describe en este MANUAL.
- Asegúrese de que solo las personas que hayan leído y comprenden este MANUAL utilizan el clavador.
- Asegúrese de que los clavadores son usados únicamente cuando los operadores y otras personas que se encuentran en el área de trabajo llevan PROTECCIÓN OCULAR y otro equipo de protección personal apropiado, como PROTECCIÓN DE CABEZA, OÍDOS Y PIES.
- Recalque que el operador y las demás personas que se encuentran en el área de trabajo necesitan utilizar GAFAS PROTECTORAS PARA LOS OJOS.
- Asegúrese de que los clavos son conservados en estado de operación seguro según se describe en este MANUAL.
- Mantenga adecuadamente el clavador.
- Asegúrese de que solo el personal cualificado repara el clavador.
- Asegúrese de que los clavadores que requieren reparación se remueven del servicio, y de que son utilizadas etiquetas y división física como método de control.

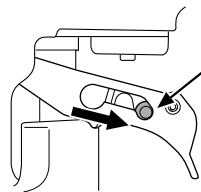
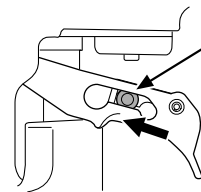
**¡GUARDE ESTE MANUAL
AL ALCANCE DE CUALQUIERA!**

OPERACIÓN

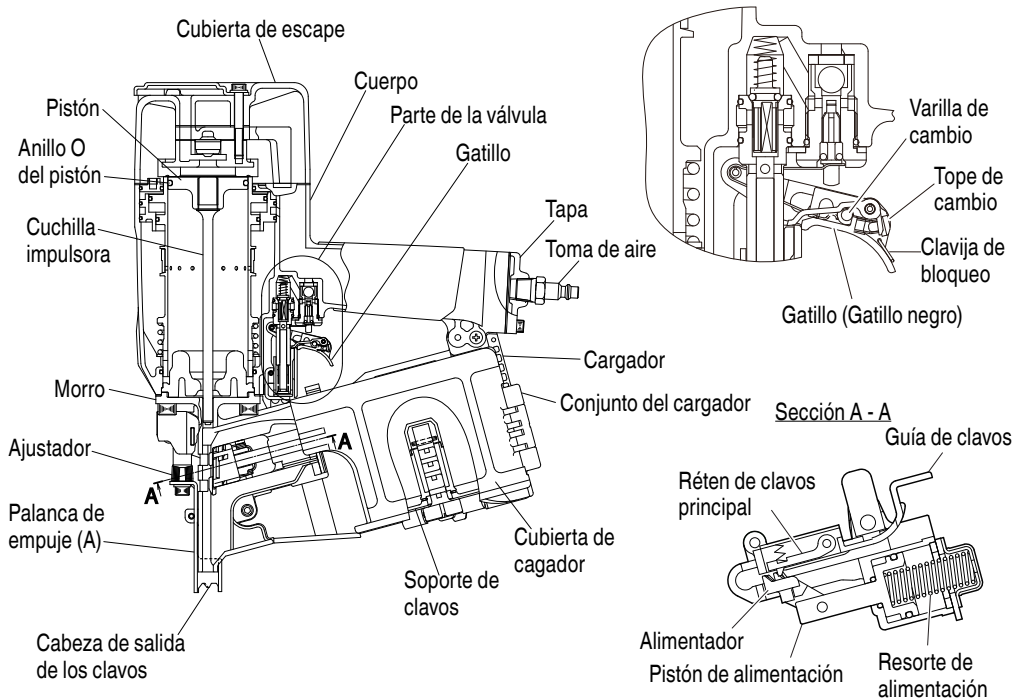
NOTA: La información contenida en este manual ha sido diseñada para ayudarle a utilizar con seguridad este clavador.

Algunas de las ilustraciones de este manual pueden mostrar detalles o accesorios diferentes a los de su propio clavador.

NOMENCLATURA

Dispositivo de conmutación para la operación de clavado	
 <p>Posición de la varilla de cambio</p>	 <p>Posición de la varilla de cambio</p>
MECANISMO DE ACTUACIÓN SECUENCIAL SIMPLE	MECANISMO DE ACTUACIÓN POR CONTACTO
<ul style="list-style-type: none"> ● Si la clavija de bloqueo está montada, la herramienta se fijará en ACTUACIÓN SECUENCIAL SIMPLE. ● Para utilizar el modo ACTUACIÓN POR CONTACTO, la clavija de bloqueo deberá ser removida siguiendo los pasos de la sección "Cómo remover la clavija de bloqueo" en "MÉTODOS DE OPERACIÓN". 	

Vista ampliada de la parte de la válvula



Componentes principales: Cubierta de escape, Pistón, Anillo O del pistón, Cuchilla impulsora, Morro, Ajustador, Palanca de empuje (A), Cabeza de salida de los clavos, Soporte de clavos, Cuerpo, Parte de la válvula, Gatillo, Tapa, Toma de aire, Cargador, Conjunto del cargador, Cubierta de cagador, Retén de clavos principal, Alimentador, Pistón de alimentación, Resorte de alimentación, Guía de clavos, Varilla de cambio, Tope de cambio, Clavija de bloqueo, Gatillo (Gatillo negro).

Sección A - A

ESPECIFICACIONES

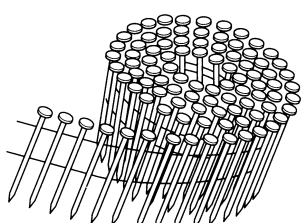
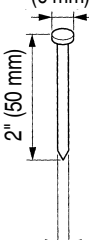

Presión de operación	70–120 psi (4.9–8.3 bar, 5–8.5 kgf/cm ²)
Dimensiones Longitud x Altura x Anchura	12-13/32" x 13-11/16" x 5-13/32" (315 mm x 348 mm x 137 mm)
Peso	8.8 libras (4.0 kg) (sin gancho)
Capacidad de clavos	200–300 clavos (1 ristra)
Consumo de aire	.088 pies ³ /ciclo a 100 psi (2.5 litros/ciclo a 6.9 bar) (2.5 litros/ciclo a 7 kgf/cm ²)
Entrada de aire	Rosca 3/8 NPT

SELECCIÓN DE CLAVOS

⚠ ADVERTENCIA

- Asegúrese de usar únicamente puntas legítimas metabo HPT para el NV83A5. El uso de otras puntas puede producir un fallo de funcionamiento de la herramienta y/o la rotura de la punta, lo provocaría a su vez lesiones de gravedad.

Con este clavador solamente podrán utilizarse los clavos indicados en la tabla siguiente.

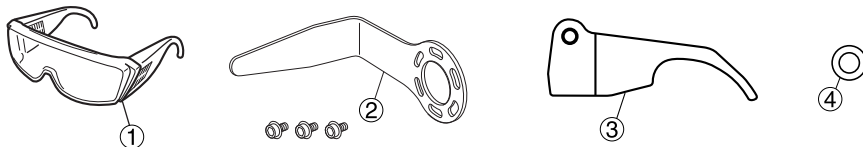
 <p>Clavos en ristra unidas con alambre</p>	<p>Min.</p> <p>.236" (6 mm)</p>  <p>2" (50 mm)</p> <p>.099" (2.5 mm)</p>	<p>Máx.</p> <p>.283" (7.2 mm)</p>  <p>3-1/4" (83 mm)</p> <p>.131" (3.3 mm)</p>

ACCESORIOS

⚠ ADVERTENCIA

- Los accesorios que no sean los mostrados a continuación pueden provocar el mal funcionamiento del clavador y resultar en lesiones.

ACCESORIOS ESTÁNDAR



① Gafas protectoras para los ojos	1
② Gancho	1
③ Gatillo (A) (Gatillo de actuación por contacto/color: plateado)	1
④ Anillo del eje	1

ACCESORIOS OPCIONALES ... vendido aparte

- Lubricante para herramientas neumáticas
- Aceitador de 1.0 onza (30 cc) (Núm. de código 877153)
- Aceitador de 4 onzas (120 cc) (Núm. de código 874042)
- Lata de 1 cuarto de galón (1 litro) (Núm. de código 876212)

NOTA: Los accesorios están sujetos a cambio sin ninguna obligación por parte de metabo HPT.

APLICACIONES

- Trabajos de construcción de madera como puedan ser suelos y marcos de paredes, balcones, estructuras de suelos.
- Construcción de casas móviles y modulares.
- Confección de cajas de madera, tarimas y tambores.
- Operaciones de embalaje en plantas de fabricación y otros tipos de embalajes y trabajos de cajas y jaulas en general.

ANTES DE LA OPERACIÓN

Lea la sección titulada "SEGURIDAD" (páginas 51–55).

Antes de la utilización, cerciúrese de lo siguiente.

ENTORNO DE TRABAJO

⚠ ADVERTENCIA

- En el lugar de trabajo no deberá haber gases, líquidos, ni demás objetos inflamables.
- No permita que en el área de trabajo haya niños ni demás personas no autorizadas.

SUMINISTRO DE AIRE

⚠ PELIGRO



- No utilice gases reactivos ni otros gases embotellados. Podría producirse una explosión.

⚠ ADVERTENCIA

- No conecte nunca el clavador a una presión que pueda sobrepasar potencialmente 200 psi (13.7 bar 14 kgf/cm²) si un regulador falla.
- No utilice nunca un acoplador sin descarga con el clavador.

1. Fuente de propulsión
 - Utilice solamente aire comprimido limpio, seco, y regulado como fuente de propulsión para este clavador.
 - Los compresores de aire para suministrar aire comprimido a este clavador deberán cumplir los requisitos de la última versión de la norma B 19.3 ANSI "Normas de Seguridad para Compresores para Industrias de Procesos".

- La humedad o el aceite en el compresor de aire puede acelerar el desgaste y la corrosión del clavador.
Drénelo diariamente.

2. Filtro-Regulador-Lubricador

- Utilice un regulador con una presión de 0–120 psi (0–8.3 bar 0–8.5 kgf/cm²).
- Las unidades de filtro-regulador-lubricador ofrecen la condición óptima para el clavador y prolongan su duración útil.

Estas unidades deberán utilizarse siempre.

Filtro.....El filtro elimina la humedad y la suciedad del aire comprimido.

Drene diariamente el clavador a menos que tenga instalado un dispositivo de drenado automático.

Mantenga limpio el filtro realizando regularmente su mantenimiento.

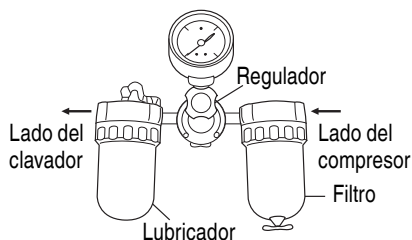
Regulador.....El regulador controla la presión de operación para poder utilizar con seguridad el clavador.

Inspeccione el regulador antes de la operación a fin de asegurarse de que funcione adecuadamente.

Lubricador...El lubricador rocía aceite al clavador.

Inspeccione el lubricador antes de utilizarlo para comprobar si el suministro de lubricante es adecuado.

Utilice lubricante para herramientas neumáticas metabo HPT.



3. Manguera de aire

Las mangueras de suministro de aire comprimido deben tener una presión operativa mínima igual o mayor que la presión procedente de la fuente de potencia si un regulador falla, o 150 psi (10.4 bar 10.6 kgf/cm²), el valor que sea mayor.

4. Consumo de aire

Utilizando la tabla de consumo de aire y la fórmula de tamaño del compresor de aire, busque el tamaño de compresor correcto.

Tabla de consumo de aire

	psi	80	90	100
Presión de operación	(bar)	(5.5)	(6.2)	(6.9)
	(kgf/cm ²)	(5.6)	(6.3)	(7)
Consumo de aire	pies ³ /ciclo	.062	.075	.088
	(litros/ciclo)	(1.7)	(2.1)	(2.5)

Fórmula de tamaño del compresor

Cantidad de aire requerida

= número de clavadores

× promedio de clavos clavados cada minuto por clavador

× consumo de aire a la presión dada

× factor de seguridad (siempre 1.2)

Ejemplo: 2 clavadores funcionando a 100 psi para clavar 30 clavos por minuto

Cantidad de aire requerida

= 2 × 30 × .088 (2.5) × 1.2

= 6.3 CFM ((pies³/min) (180 litros/min)

Después de haber realizado los cálculos indicados arriba, tendrá que buscar un compresor que proporcione 6.3 CFM de aire, que es el valor requerido.

LUBRICACIÓN

Es muy importante que el clavador esté adecuadamente lubricado.

Sin la lubricación apropiada, el clavador no trabajará correctamente y las piezas se desgastarán prematuramente.

- Utilice lubricante para herramientas neumáticas metabo HPT.

No utilice aceite detergente ni aditivos. Estos lubricantes dañarían las juntas tóricas y demás piezas de caucho. Esto haría que el clavador funcionase mal.

- Habrá que utilizar siempre unidades de filtro-regulador-lubricador.

Mantenga el lubricador lleno con lubricante para herramientas neumáticas metabo HPT.

- Si no dispone de lubricador, aplique 5–10 gotas de lubricante para herramientas neumáticas metabo HPT a la entrada de aire del clavador dos veces al día.

CUIDADOS PARA CLIMAS FRÍOS

- No guarde el clavador en lugares fríos. Déjelo en un lugar cálido antes de comenzar a trabajar.

- Si el clavador está frío, póngalo en un lugar cálido y deje que se caliente antes de utilizarlo.

① Reduzca la presión de aire a 64 psi (4.4 bar 4.5 kgf/cm²).

- ② Quite todos los clavos del clavador.
- ③ Conecte la manguera de aire y dispare (disparo en vacío) el clavador.
La reducción de la presión de aire será suficiente para disparar en vacío el clavador.
La operación a baja velocidad tiende a calentar las partes móviles.

⚠ PRECAUCIÓN

- No dispare en vacío el clavador a alta presión.

PRUEBA DEL CLAVADOR

⚠ PELIGRO



- Los operadores y demás personas que se encuentren en el área de trabajo **DEBEN** usar gafas protectoras con blindajes laterales que cumplan con las especificaciones ANSI Z87.1. Las gafas ordinarias no brindan una protección adecuada.

⚠ ADVERTENCIA

- No utilice nunca el clavador a menos que la palanca de empuje funcione adecuadamente.

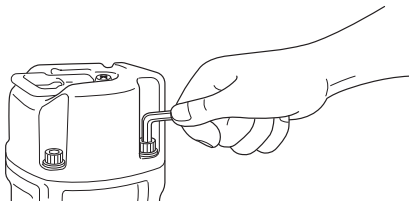
Antes de comenzar el trabajo, pruebe el clavador utilizando la lista de comprobaciones siguiente. Realice las comprobaciones en el orden indicado.

Si se produce alguna operación anormal, deje de utilizar el clavador y póngase inmediatamente en contacto con un centro de reparaciones autorizado por metabo HPT.

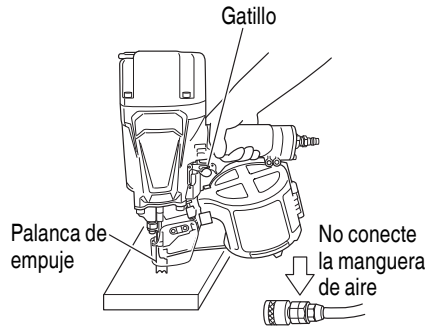
- (1) **DESCONECTE LA MANGUERA DE AIRE DEL CLAVADOR.**
QUITE TODOS LOS CLAVOS DEL CLAVADOR.

- **TODOS LOS TORNILLOS DEBERÁN ESTAR APRETADOS.**

Si hay algún tornillo flojo, apriételo.



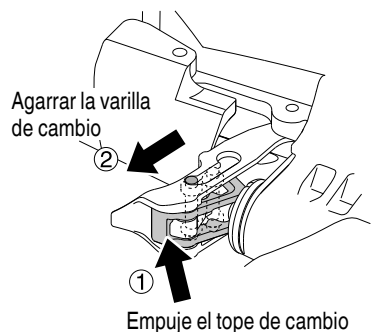
- **LA PALANCA DE EMPUJE DEBERÁ PODER ACCIONARSE SIN DIFICULTAD.**

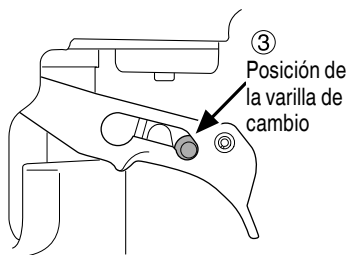


- (2) **RETIRE TODOS LOS CLAVOS DEL CLAVADOR.**
NO presione ni coloque la palanca de empuje sobre ninguna superficie.
NO FUERCE NI USE HERRAMIENTAS PARA OPERAR EL INTERRUPTOR.

Seleccione el **MODO DE ACCIONAMIENTO SECUENCIAL SIMPLE** de acuerdo con los siguientes pasos.

- ① Abra el tope de cambio empujando la parte inferior del gatillo.
- ② Agarre la varilla de cambio con dos dedos (uno en cada lado del gatillo) y deslícela hacia abajo (Modo de accionamiento secuencial simple).
- ③ Confirme que el tope de cambio haya vuelto por completo a la posición original dentro del gatillo. (**MECANISMO DE ACTUACIÓN SECUENCIAL SIMPLE**).



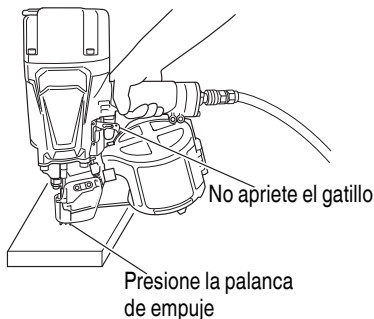


- (3) Ajuste la presión del aire a 70 psi (4.9 bar 5 kgf/cm²). Conecte la manguera de aire.

EL CLAVADOR NO DEBERÁ TENER FUGAS DE AIRE.

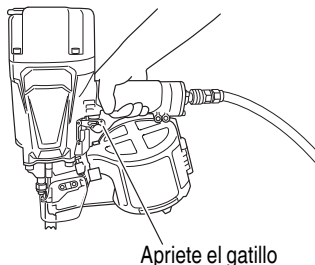
- (4) Retire el dedo del disparador y presione la palanca de empuje contra la madera.

EL CLAVADOR NO DEBERÁ FUNCIONAR.



- (5) Retire la palanca de empuje de la madera. Seguidamente, dirija el clavador hacia abajo, jale el gatillo y espere en esa posición durante 5 segundos o más.

EL CLAVADOR NO DEBERÁ FUNCIONAR.



- (6) En primer lugar, tire del gatillo. A continuación, presione la palanca de empuje contra la madera.

EL CLAVADOR NO DEBERÁ FUNCIONAR.

- (7) Sin tocar el gatillo, presione la palanca de empuje contra la madera.

A continuación, tire del gatillo.

EL CLAVADOR DEBERÁ FUNCIONAR.

Si se deja la clavija de bloqueo, omite los pasos del (8) al (10) y continúe desde el paso (11).

→ Si la clavija de bloqueo está montada, la unidad puede operarse en el MECANISMO DE ACTUACIÓN SECUENCIAL SIMPLE.

- (8) Desconecte la manguera de aire. **RETIRE TODOS LOS CLAVOS DEL CLAVADOR.**

Remueva el gancho, si está montado.

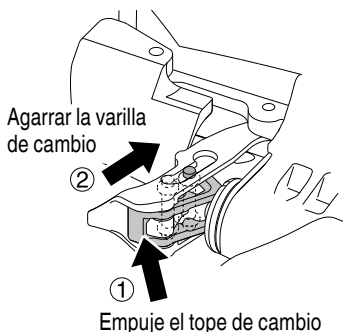
→ Cuando el gancho esté montado, no opere la herramienta con el MECANISMO DE ACTUACIÓN POR CONTACTO.

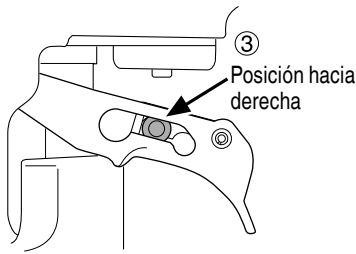
NO empuje ni coloque la palanca de empuje sobre ninguna superficie.

NO FUERCE NI USE HERRAMIENTAS PARA OPERAR EL INTERRUPTOR.

Seleccione el MODO DE ACCIONAMIENTO por contacto de acuerdo con los siguientes pasos.

- ① Abra el tope de cambio empujando la parte inferior del gatillo.
- ② Agarre la varilla de cambio con dos dedos (uno en cada lado del gatillo) y deslícela hacia arriba (Modo de accionamiento por contacto).
- ③ Confirme que el tope de cambio haya vuelto por completo a la posición original dentro del gatillo. (MECANISMO DE ACTUACIÓN POR CONTACTO).





(9) Ajuste la presión del aire a 70 psi (4,9 bar 5 kgf/cm²). Conecte la manguera de aire.

EL CLAVADOR NO PUEDE PRESENTAR FUGAS DE AIRE.

(10) Con el clavador alejado de la madera, tire del gatillo. A continuación, presione la palanca de empuje contra la madera.

EL CLAVADOR DEBERÁ FUNCIONAR.

(11) A continuación, presione la palanca de empuje contra la pieza de trabajo. Ahora tire del gatillo.

EL CLAVADOR DEBERÁ FUNCIONAR.

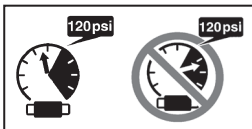
(12) Si no observa nada anormal, cargue clavos en el clavador.

Clave en la pieza de trabajo los mismos clavos que vaya a utilizar en la aplicación real.

EL MARTILLO AUTOMÁTICO DEBERÁ FUNCIONAR ADECUADAMENTE.

AJUSTE DE LA PRESIÓN DE AIRE

⚠ ADVERTENCIA



● No sobrepase 120 psi (8.3 bar 8.5 kgf/cm²).

Ajuste la presión del aire al valor recomendado, 70–120 psi (4.9–8.3 bar 5–8.5 kgf/cm²) de acuerdo con la longitud de los clavos y la dureza de la pieza de trabajo. La presión de aire correcta es la más baja con la que pueda realizarse el trabajo. La utilización del clavador con una presión de aire más alta de la requerida lo forzará innecesariamente.

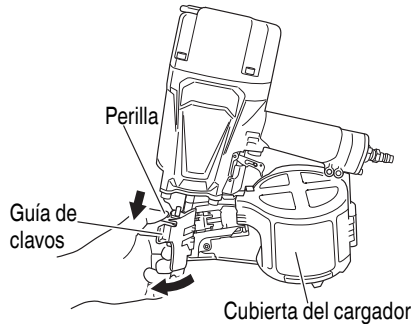
CARGA DE CLAVOS

⚠ ADVERTENCIA

- Cuando cargue los clavos en el clavador,
 - 1) no apriete el gatillo,
 - 2) no apriete la palanca de empuje, y
 - 3) mantenga el clavador apuntando hacia abajo.

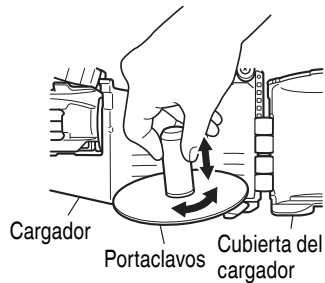
(1) Sujete la guía de clavos y la perilla con los dedos. Presione la perilla hacia abajo y abra la guía de clavos.

Luego abra la cubierta del cargador.



(2) Ajuste la posición de la placa de acuerdo con la longitud de los clavos.

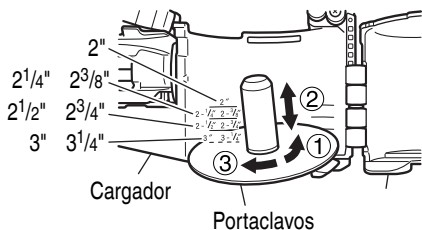
Los clavos no serán alimentados correctamente sin haber ajustado debidamente la placa.



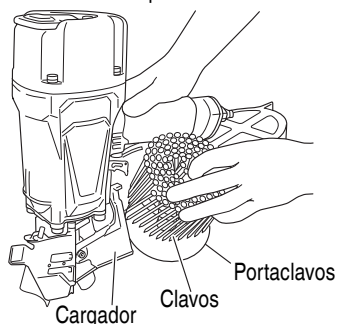
NOTA: Antes de cargar los clavos en el cargador, ajuste la placa. Si se cerrara la cubierta a la fuerza, sin ajustar correctamente la placa, sea podrá dañar el portaclavos.

- ① Gire el portaclavos aproximadamente 90 grados en el sentido contrario a las agujas del reloj.
- ② Deslice en la dirección vertical posible. Levante o baje el portaclavos según las diferentes longitudes de los clavos.

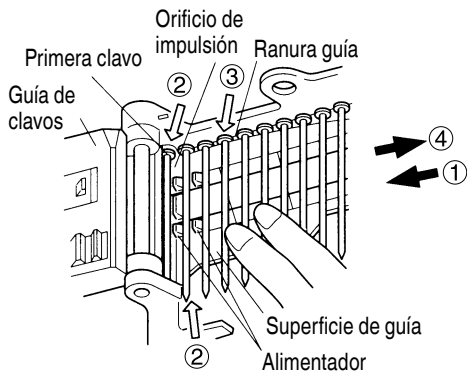
- ③ Ajuste la placa guiándose por los puntos de referencia de la longitud de los clavos de la cubierta del cargador, y gire el portaclavos 90 grados en el sentido de las agujas del reloj hasta escuchar un "clic".



- (3) Coloque el rollo de clavos dentro del cargador. Desenrolle el número de clavos necesario hasta llegar al orificio de impulsión.

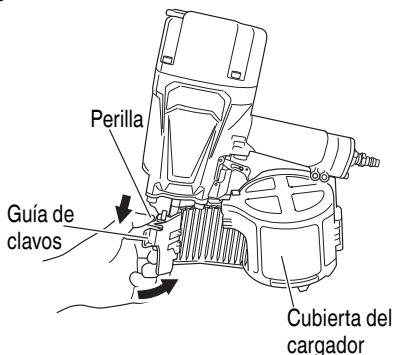


- (4) ① Desbobine suficientes clavos para llegar al orificio de impulsión.
 ② Inserte la primera clavo en el orificio de impulsión y la segunda entre las dos uñas del alimentador.
 ③ Fije las cabezas de las clavos en la ranura guía.



- ④ Empujando las clavos hacia la derecha, oscile la guía de clavos para cerrarla.

- (5) Cierre primero la cubierta del cargador y cierre la guía de clavos.



NOTA: Tenga cuidado de no deformar los alambres intercalados ni de desenganchan los clavos de la superficie de guía.

De lo contrario, la guía de clavos no se podrá cerrar correctamente.

- (6) Bloquee correctamente la perilla.

OPERACIÓN DEL CLAVADOR

Lea la sección titulada "SEGURIDAD" (páginas 51-55).

⚠ PELIGRO



- Los operadores y demás personas que se encuentren en el área de trabajo **DEBEN** usar gafas protectoras con blindajes laterales que cumplan con las especificaciones ANSI Z87.1. Las gafas ordinarias no brindan una protección adecuada.

⚠ ADVERTENCIA



- Solo las personas que hayan leído y comprenden este **MANUAL** pueden utilizar el clavador.
- No dirija **NUNCA** la herramienta hacia sí mismo o hacia otras personas del área de trabajo.

- Mantenga los dedos **ALEJADOS** del gatillo cuando no clave clavos, para evitar descargas accidentales.

- Conozca y comprenda el sistema de clavador que está utilizando.

Por favor lea y comprenda los “Métodos de operación” descritos más abajo.

- Inspeccione el clavador antes de operarlo para determinar el sistema de accionamiento. Antes de empezar a trabajar, verifique el dispositivo de conmutación para la operación de clavado.

Este clavador metabo HPT incluye un dispositivo de conmutación para la operación de clavado.

Antes de empezar a trabajar, verifique el ajuste del dispositivo de conmutación para la operación de clavado.

Si el dispositivo de conmutación para la operación de clavado no está debidamente ajustado, el clavador no funcionará correctamente.

- Nunca coloque las manos o el cuerpo a menos de 8 pulgadas (200 mm) del cabezal de disparo cuando lo use.
- No clave clavos en otros clavos, los clavos pueden rebotar y herir a alguien.
- No accione el clavador a menos que esté firmemente colocado contra la pieza de trabajo.
- Cuando trabaje cerca del borde de una pieza de trabajo o en ángulos muy agudos, o al clavar clavos en una pieza de trabajo fina, tenga cuidado para minimizar la aparición de virutas, astillas y divisiones, o el vuelo libre, el rebote o la perforación de los clavos, ya que podrían causar lesiones.
- No clave nunca clavos desde ambos lados de una pared al mismo tiempo. Los clavos podrían traspasar la pared y lesionar a la persona de la otra parte.
- No utilice nunca un clavador defectuoso o que funcione anormalmente.
- No utilice el clavador a modo de martillo normal.
- Desconecte la manguera de aire del clavador cuando:
 - 1) no vaya a utilizarlo;
 - 2) vaya a abandonar el área de trabajo;
 - 3) lo eleve, lo descienda o de otra manera vaya a trasladarlo a otro lugar;
 - 4) vaya a entregárselo a otra persona;
 - 5) Al remover la clavija de bloqueo.

- 6) haga un cambio del dispositivo de conmutación;

- 7) realice mantenimientos o reparaciones;

- 8) desatasque el clavador;

- 9) el clavador está fuera de la supervisión o el control del operador;

- 10) remueve clavos del cartucho;

- 11) ajuste la profundidad de clavamiento; y

- 12) Al instalar o remover el gancho

- 13) Al montar el gancho

Este clavador metabo HPT está equipado con un dispositivo de conmutación para la operación de clavado. Utilice el MECANISMO DE ACTUACIÓN SECUENCIAL SIMPLE o el MECANISMO DE ACTUACIÓN POR CONTACTO de acuerdo con la tarea que se va a realizar.

NOTA:

- El MECANISMO DE ACTUACIÓN POR CONTACTO también puede ser operado cambiando al gatillo (A) (gatillo plateado) incluido.

Para los detalles, refiérase a “GATILLO DE ACTUACIÓN POR CONTACTO (gatillo plateado)” en una página posterior.

Explicación sobre las diversas operaciones de clavado

- MECANISMO DE ACTUACIÓN SECUENCIAL SIMPLE: En primer lugar, presione la palanca de empuje contra la pieza de trabajo y, a continuación, jale el gatillo para introducir el clavo.

Una vez que se introduzca un clavo, no se podrá volver a clavar hasta que suelte el gatillo y lo vuelva a presionar.

- MECANISMO DE ACTUACIÓN POR CONTACTO: En primer lugar, presione la palanca de empuje contra la madera y, a continuación, jale el gatillo para introducir el clavo. O,

jale el gatillo, y, seguidamente, presione la palanca de empuje contra la madera para que se introduzca el clavo.

Si mantiene el gatillo apretado, se introducirá un clavo cada vez que se presiona la palanca de empuje contra la madera.

MÉTODOS DE OPERACIÓN

Este clavador está equipado con una palanca de empuje, y no funcionará a menos que ésta esté presionada (posición hacia arriba).

Existen dos métodos de operación para clavar clavos con este clavador.

Estos métodos son:

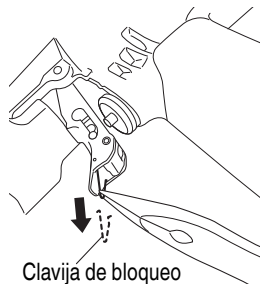
1. Operación intermitente (Disparo con el gatillo);
2. Operación continua (Disparo con la palanca de empuje);

Cómo remover la clavija de bloqueo

- Cuando se envía, el modo de accionamiento de la herramienta está bloqueado en el MECANISMO DE ACTUACIÓN SECUENCIAL SIMPLE con la clavija de bloqueo.
- Al remover la clavija de bloqueo como se muestra más abajo, la herramienta puede cambiarse entre ACTUACIÓN SECUENCIAL SIMPLE y ACTUACIÓN POR CONTACTO.

⚠ ADVERTENCIA

- Al remover la clavija de bloqueo, desconecte la manguera de aire de la herramienta y remueva todos los clavos.
- Tenga en cuenta que cuando la clavija de bloqueo se remueve, se activa la función de cambio entre ACTUACIÓN SECUENCIAL SIMPLE y ACTUACIÓN POR CONTACTO.
- Utilice un par de alicates como los mostrados más abajo para sacar la clavija de bloqueo.



⚠ PRECAUCIÓN

- La clavija de bloqueo deberá descartar tras removerla.

- (1) Operación intermitente (Disparo con el gatillo)
Utilice el ajuste del MECANISMO DE ACTUACIÓN SECUENCIAL SIMPLE.

⚠ ADVERTENCIA

- Para una operación intermitente, coloque la varilla de cambio como se muestra en la figura de abajo. (Es decir, ajuste a MECANISMO DE ACTUACIÓN SECUENCIAL SIMPLE.)
- Para evitar el doble disparo o el disparo accidental debido a la reculada.
 - 1) Ajuste el mecanismo de conmutación a MECANISMO DE ACTUACIÓN SECUENCIAL SIMPLE.

2) Jale el gatillo rápida y firmemente.

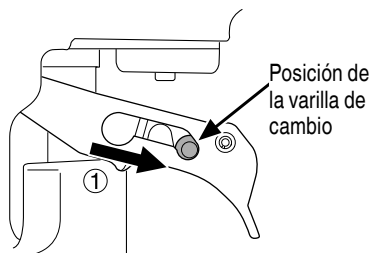
- ① Siga los pasos más abajo para configurar el MECANISMO DE ACTUACIÓN SECUENCIAL SIMPLE (como se muestra en los diagramas siguientes).

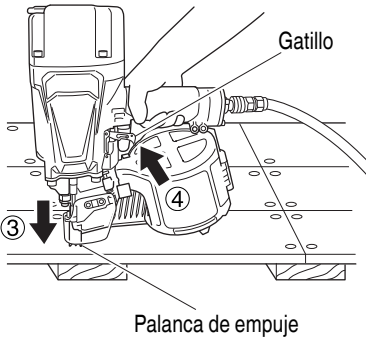
⚠ ADVERTENCIA

- Desconecte la manguera de aire y remueva todos los clavos.
- No presione la palanca de empuje.
- No aplique una presión innecesaria ni utilice herramientas para mover el interruptor.
- No presione el tope de cambio con ningún propósito que no sea cambiar entre ACTUACIÓN SECUENCIAL SIMPLE y ACTUACIÓN POR CONTACTO.

- 1) Si se deja la clavija de bloqueo, omita los pasos del 2) al 3) y continúe desde el paso 4).
- 2) Presione la parte inferior del gatillo y abra el tope de cambio.
- 3) Agarre la varilla de cambio con dos dedos y deslícela hacia abajo (para ajustar en MECANISMO DE ACTUACIÓN SECUENCIAL SIMPLE).
- 4) Asegúrese de que la varilla de cambio está en la posición correcta como se muestra en el diagrama (de lo contrario, la herramienta podría estar configurada en el MECANISMO DE ACTUACIÓN POR CONTACTO).
- ② Coloque la salida de los clavos sobre la pieza de trabajo con el dedo fuera del gatillo.
- ③ Presione a fondo la palanca de empuje.
- ④ Apriete el gatillo para clavar el clavo.
- ⑤ Separe el dedo del gatillo.

Para continuar clavando en un lugar separado, mueva el clavador a lo largo de la madera, repitiendo los pasos ② – ⑤, según se requiera.





⚠ ADVERTENCIA

● Se dispara un clavo cada vez que se presiona el gatillo, siempre que la palanca de empuje permanezca presionada.

- (2) Operación continua (Disparo con la palanca de empuje)
Utilización del MECANISMO DE ACTUACIÓN POR CONTACTO

⚠ ADVERTENCIA

● Para evitar el doble disparo o el disparo accidental debido a la reculada.

- 1) No presione el clavador contra la madera con una fuerza excesiva.
- 2) Retire el clavador de la madera después de efectuar el clavado.

● Si el gancho está montado, no operar la herramienta con el MECANISMO DE ACTUACIÓN POR CONTACTO.

- ① Siga los pasos más abajo para configurar el MECANISMO DE ACTUACIÓN POR CONTACTO (como se muestra en los diagramas siguientes).

⚠ ADVERTENCIA

- Desconecte la manguera de aire y remueva todos los clavos.
- No presione la palanca de empuje.
- No aplique una presión innecesaria ni utilice herramientas para mover el interruptor.
- No presione el tope de cambio con ningún propósito que no sea cambiar entre ACTUACIÓN SECUENCIAL SIMPLE y ACTUACIÓN POR CONTACTO.

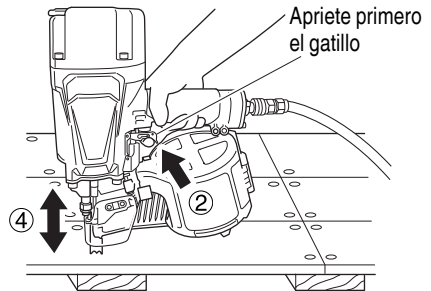
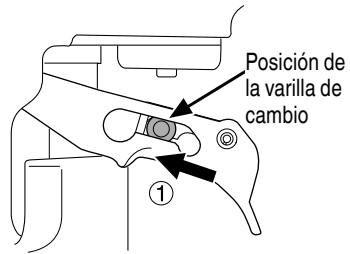
- 1) Remueva la clavija de bloqueo si sigue montada.

Refiérase a la sección “Cómo remover la clavija de bloqueo” en “MÉTODOS DE OPERACIÓN”.

- 2) Presione la parte inferior del gatillo y abra el tope de cambio.
- 3) Agarre la varilla de cambio con dos dedos y deslícela hacia arriba (para ajustar en MECANISMO DE ACTUACIÓN POR CONTACTO).
- 4) Asegúrese de que la varilla de cambio está en la posición correcta en el gatillo como se muestra en el diagrama (de lo contrario, la herramienta podría no operar correctamente).

- ② Apriete el gatillo con el clavador fuera de la pieza de trabajo.
 - ③ Presione la palanca de empuje contra la pieza de trabajo para clavar un clavo.
 - ④ Desplace el clavador por la pieza de trabajo con un movimiento de rebote.
- Con cada presión de la palanca de empuje se clavará un clavo.

Después de haber clavado los clavos necesarios, separe el dedo del gatillo.



⚠ ADVERTENCIA

- Mantenga el dedo separado del gatillo excepto durante la operación, porque esto podría resultar en lesiones si la palanca de presión entrase en contacto con su cuerpo o con el de otras personas del área de trabajo.
- Mantenga las manos y el cuerpo alejados del área de descarga. Este clavador metabo HPT podría rebotar por la reculada producida al meter un sujetador, y producir la introducción no intencional del siguiente sujetador, con el riesgo de sufrir lesiones.
- Algunos tipos de clavos cargados pueden echar chispas a través de la boca durante la operación de clavado. ¡Tenga cuidado!

El MECANISMO DE ACTUACIÓN SECUENCIAL SIMPLE se usa para colocar los fijadores con gran precisión.

El MECANISMO DE ACTUACIÓN SECUENCIAL SIMPLE puede disminuir la ocurrencia de lesiones en el área de trabajo en comparación con el MECANISMO DE ACTUACIÓN DE CONTACTO. **Esto se debe a que hay menos posibilidades de lanzar un clavo de forma no intencional a alguna persona si continúa presionando el gatillo y presiona la palanca de manera accidental.**

El MECANISMO DE ACTUACIÓN SECUENCIAL SIMPLE puede también reducir la velocidad de funcionamiento en comparación con el MECANISMO DE ACTUACIÓN DE CONTACTO. Se recomienda que los usuarios con poca experiencia usen el MECANISMO DE ACTUACIÓN SECUENCIAL SIMPLE.

NOTA:

- Si se respetan todas las advertencias y precauciones, se podrá realizar una operación segura con los dos sistemas: MECANISMO DE ACTUACIÓN SECUENCIAL SIMPLE y MECANISMO DE ACTUACIÓN POR CONTACTO.
- Maneje con cuidado el paquete de clavos. Si los clavos se cayesen, el cable de la ristra podría romperse.
- Después de haber clavado los clavos:
 - 1) desconecte la manguera de aire del clavador,
 - 2) extraiga todos los clavos del clavador,
 - 3) aplique 5-10 gotas de lubricante para herramientas neumáticas metabo HPT a la entrada de aire del clavador, y
 - 4) abra la llave de escape del depósito del compresor de aire para drenar la humedad que pueda existir.

AJUSTE DE LA PROFUNDIDAD DE CLAVADO

⚠ ADVERTENCIA

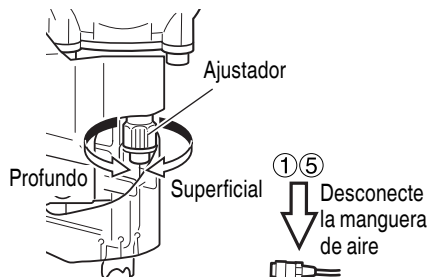
- Antes de girar el ajustador, desconecte la manguera de aire del clavador.

Para asegurar que cada clavo penetre con la misma profundidad, cerciórese de que:

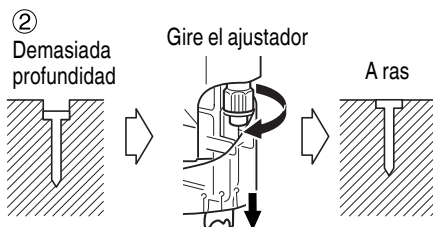
- 1) la presión de aire suministrada al clavador permanezca constante (regulador instalado y trabajando adecuadamente), y
- 2) esté sujetando firmemente el clavador contra la pieza de trabajo.

Si los clavos penetran demasiado o demasiado poco en la pieza de trabajo, realice el ajuste en el orden siguiente.

- ① DESCONECTE LA MANGUERA DE AIRE DEL CLAVADOR



- ② Si los clavos penetran demasiado, gire el ajustador hacia la parte de menor profundidad. El ajuste se realiza en incrementos de media vuelta.



Si los clavos se insertan demasiado poco, gire el regulador hacia la parte de mayor profundidad.



- ③ Deje de girar el ajustador cuando alcance la posición apropiada realizando una prueba de clavado.
- ④ Conecte la manguera de aire.
UTILICE SIEMPRE GAFAS PROTECTORAS PARA LOS OJOS.
Realice una prueba de clavado.
- ⑤ DESCONECTE LA MANGUERA DE AIRE DEL CLAVADOR.
- ⑥ Elija la posición adecuada para el ajustador.

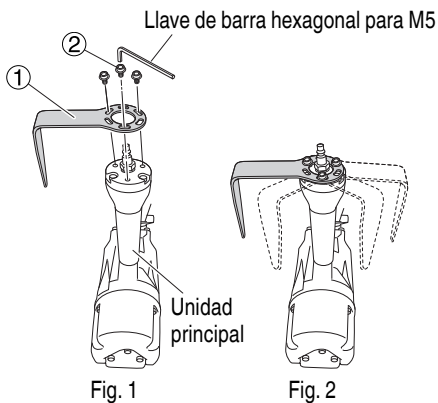
GANCHO DE VIGA

Con el modelo NV83A5 un gancho incluido puede ser montado utilizando tres pernos de brida M5 × 16 incluidos con las herramientas. Cuando la herramienta se desmonta de la manguera y no se usa, el gancho se puede usar para guardar la unidad.

⚠ ADVERTENCIA

- Cuando monte o desmonte el gancho, asegúrese de que la manguera está desmontada y de que se han extraído todos los clavos de la herramienta.

1) Cómo montar el gancho



- Cuando lo monte, utilice una llave de barra hexagonal para M5 (no incluida).
- Fije el gancho (①) a la unidad principal en tres posiciones utilizando los pernos de brida M5 × 16 (②) (Fig. 1).

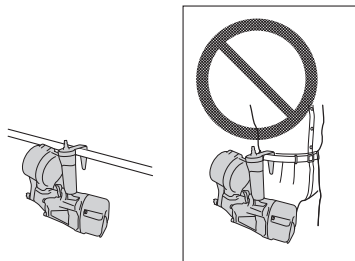
Par de torsión de ajuste		
8.3±0.5 N · m	6.1±0.4 ft.lb	85±5 kgf · cm

- El gancho se puede montar en cualquier dirección. Ajuste el gancho según el entorno operacional (Fig. 2).

- 2) Cómo desmontar el gancho
Desmonte el gancho realizando los pasos de montaje del gancho anteriormente mencionados en orden inverso.

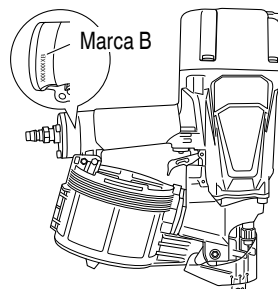
⚠ ADVERTENCIA

- Cuando el gancho esté montado, operar únicamente con el MECANISMO DE ACTUACIÓN SECUENCIAL SIMPLE y no con el MECANISMO DE ACTUACIÓN POR CONTACTO. Para cambiar entre SECUENCIAL SIMPLE y POR CONTACTO, refiérase a la sección apropiada en “MÉTODOS DE OPERACIÓN”.
- Desconecte la manguera de aire cuando enganche la unidad.
- No fije el gancho en ubicaciones altas o inestables. Además, no lo enganche en el cuerpo, la ropa, el cinturón u otros útiles personales.
- Cuando vuelva a montar el gatillo en un gatillo de actuación por contacto con el gancho ya acoplado, retire el gancho.



GATILLO DE ACTUACIÓN POR CONTACTO (gatillo plateado)

El gatillo de actuación por contacto (gatillo plateado) solo se puede usar con cuerpos que tengan una marca “B” impresa junto al número de serie del cuerpo. No se puede utilizar con cuerpos que no tengan impresa la marca “B”.



Si el ensamblaje del gatillo (gatillo negro) que está acoplado al clavador es cambiado al gatillo (A) (gatillo plateado), el clavador solo es capaz de la operación con el MECANISMO DE ACTUACIÓN POR CONTACTO que se explica en la sección "OPERACIÓN DEL CLAVADOR". La operación con el MECANISMO DE ACTUACIÓN SECUENCIAL SIMPLE ya no será posible.

El método de operación del MECANISMO DE ACTUACIÓN POR CONTACTO es como se describe ① y ② a continuación.

① En primer lugar, presione la palanca de empuje contra la madera y, a continuación, jale el gatillo para introducir el clavo.

② En primer lugar, jale el gatillo y, seguidamente, presione la palanca de empuje contra la pieza de trabajo para que se introduzca el clavo.

Si mantiene el gatillo apretado, se introducirá un clavo cada vez que se presiona la palanca de empuje contra la pieza de trabajo.

⚠ ADVERTENCIA

● Al realizar el trabajo de reensamblaje para cambiar del ensamblaje del gatillo (gatillo negro) al gatillo (A) (gatillo plateado), desmonte la manguera de aire y saque todos los clavos del interior del clavador.

● Para usar el MECANISMO DE ACTUACIÓN SECUENCIAL SIMPLE nuevamente, es necesario cambiar al ensamblaje del gatillo original (gatillo negro). Para cambiar de nuevo al ensamblaje del gatillo original (gatillo negro), lleve el clavador a la tienda en la que fue comprado o a un centro de servicio autorizado de metabo HPT para solicitar el trabajo de cambio.

● Para evitar el doble disparo o el disparo accidental debido a la reculada:

- 1) No presione el clavador contra la pieza de trabajo con una fuerza excesiva.
- 2) Retire el clavador de la pieza de trabajo después de efectuar el clavado.

(1) Extraer el ensamblaje del gatillo (gatillo negro)

Herramientas necesarias: Destornillador pequeño de punta plana

Retire el muelle y el anillo del eje, saque el pasador del gatillo y retire el ensamblaje del gatillo (gatillo negro).

Sin embargo, debe prestarse atención a los siguientes puntos.

- Desconecte la manguera de aire.
RETIRE TODOS LOS CLAVOS DEL CLAVADOR.
- Use un destornillador pequeño de cabeza plana para retirar el anillo del eje.

Si se golpea suavemente el pasador del gatillo para sacarlo, se puede romper el anillo del eje.

- Al retirar el ensamblaje del gatillo (gatillo negro), el muelle puede desprenderse.
- Al desmontar, tenga cuidado de que el émbolo del gatillo no se caiga. Si se cae, verifique lo siguiente. Compruebe que no haya materias extrañas adheridas al émbolo del gatillo y, si hay materias extrañas, retírelas. Consulte la "Vista ampliada de la parte de la válvula" en una sección anterior y vuelva a instalar el émbolo del gatillo.
- Guarde el ensamblaje del gatillo (gatillo negro) desensamblado y el muelle en un lugar seguro. Serán necesarios para restaurar el ensamblaje del gatillo original (gatillo negro). Además, no reutilice el anillo del eje desmontado; reemplácelo con uno nuevo.

Además, al restaurar el ensamblaje de gatillo original (gatillo negro), asegúrese de que el trabajo sea realizado por la tienda en la que fue comprado el clavador o por un centro de reparaciones autorizado por metabo HPT.

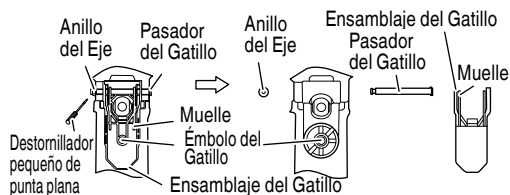


Fig. 3

(2) Ensamblaje del gatillo (A) (gatillo plateado)

El ensamblaje se puede realizar mediante el procedimiento indicado en la Fig. 4.

Sin embargo, debe prestarse atención a los siguientes puntos.

Como se muestra en la Fig. 4, pase el pasador del gatillo con firmeza a través del orificio del gatillo (A) e instale el anillo del eje en el pasador del gatillo.

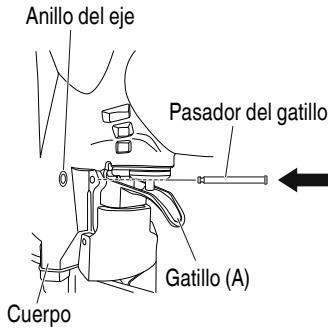


Fig. 4

- (3) Inspección luego del ensamblaje
Realice una inspección posterior al ensamblaje de acuerdo con el siguiente procedimiento.
- ① Desconecte la manguera de aire.
RETIRE TODOS LOS CLAVOS DEL CLAVADOR.
- LA PALANCA DE EMPUJE Y EL GATILLO DEBEN MOVERSE FÁCILMENTE.
- ② Ajuste la presión de aire a 70 psi (4.9 bar , 5 kgf/cm²).
Conecte la manguera de aire.
- EL CLAVADOR NO DEBE TENER FUGAS DE AIRE.

- ③ Retire el dedo del gatillo y presione la palanca de empuje contra la pieza de trabajo.
- EL CLAVADOR NO DEBE OPERAR.
- ④ Separe la palanca de empuje de la pieza de trabajo. A continuación, apunte el clavador hacia abajo, apriete el gatillo y mantenga esa posición por 5 segundos o más.
- EL CLAVADOR NO DEBE OPERAR.
- ⑤ Con el clavador alejado de la madera, presione el gatillo. A continuación, presione la palanca de empuje contra la pieza de trabajo.
- EL CLAVADOR DEBE OPERAR.
- ⑥ A continuación, presione la palanca de empuje contra la pieza de trabajo. Ahora jale el gatillo.
- EL CLAVADOR DEBE OPERAR.

Si no observa nada anormal, puede cargar clavos en el clavador.

Clave en la pieza de trabajo los mismos clavos que vaya a utilizar en la aplicación real.

- EL CLAVADOR DEBERÁ OPERAR ADECUADAMENTE.

Si ocurre un problema durante la inspección descrita anteriormente, no intente reparar el clavador usted mismo, por favor llévelo al centro de reparaciones autorizado por metabo HPT más cercano.

MANTENIMIENTO

NOTA: La información contenida en este manual ha sido diseñada para ayudarle a mantener con seguridad este clavador.

Algunas ilustraciones de este manual pueden mostrar detalles o dispositivos diferentes a los de su propio clavador.

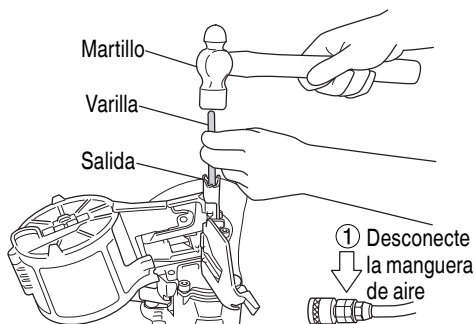
MANTENIMIENTO E INSPECCIÓN

Lea la sección titulada “SEGURIDAD” (páginas 51–55).

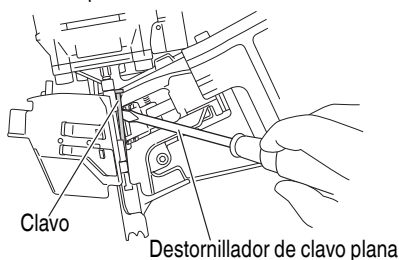
ADVERTENCIA

- **Desconecte la manguera y extraiga todos los clavos del clavador antes de:**
 - 1) realizar trabajos de mantenimiento e inspección, y
 - 2) desatascar el clavador.

1. Desatascado
Desatascue los clavos en el orden siguiente:
 - ① DESCONECTE LA MANGUERA DE AIRE.
 - ② Abra la guía de clavos.
 - ③ Inserte una varilla en la salida.
Golpee la varilla con un martillo.



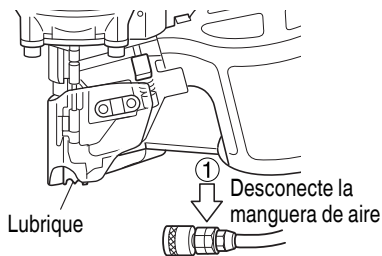
- ④ Quite el clavo atascado con un destornillador de clavos plana.



- ⑤ Corte el alambre de unión deformado con unos alicates. Corrija la deformación.
 ⑥ En caso de atasco frecuente, póngase en contacto con un centro de reparaciones autorizado por metabo HPT.

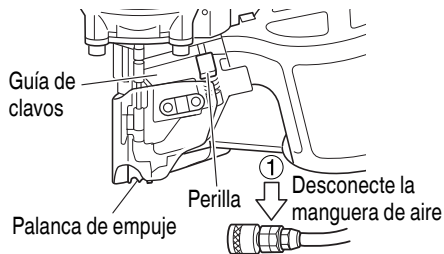
2. Inspección de la palanca de empuje

- ① DESCONECTE LA MANGUERA DE AIRE.
 ② Limpie la parte deslizante de la palanca de empuje.
 Lubríquela con lubricante para herramientas neumáticas metabo HPT.

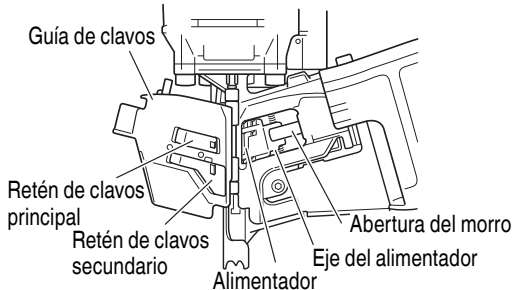


3. Inspección de los alimentadores

- ① DESCONECTE LA MANGUERA DE AIRE.
 ② Limpie la parte deslizante de la perilla.
 Lubríquela con lubricante para herramientas neumáticas metabo HPT.



- ③ Abra la guía de clavos y quite el polvo. Lubrique la ranura deslizante del alimentador y los ejes.



- ④ Lubrique las superficies del morro y de la guía de clavos después de la limpieza. Esto suavizará la operación e impedirá la oxidación.

⚠ PRECAUCIÓN

- Compruebe que el retén de clavos principal y el retén de clavos secundario se deslicen con suavidad presionándolos con el dedo. Si no hay suavidad, las clavos se clavarán a ángulos irregulares y pueden herir a alguien.

4. Inspección del cargador

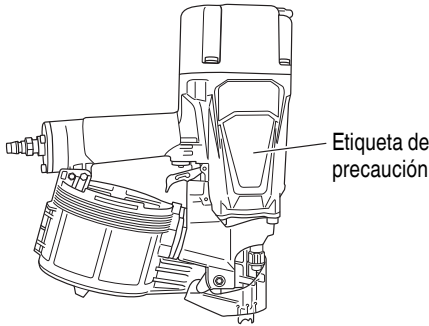
- ① DESCONECTE LA MANGUERA DE AIRE.
 ② Limpie el cargador. Quite el polvo o las virutas de madera que puedan haberse acumulado en el cargador.

5. Almacenamiento

- Cuando no vaya a utilizar el clavador durante mucho tiempo, aplique una capa fina de lubricante a las piezas de acero para evitar que se oxiden.
- No guarde el clavador en un lugar frío. Guarde el clavador en un lugar cálido.
- Cuando no vaya a utilizar el clavador, deberá guardarlo en un lugar cálido y fresco. Mantenga el clavador fuera del alcance de los niños.

6. ETIQUETA DE PRECAUCIÓN

No utilice el clavador si la ETIQUETA DE ADVERTENCIA falta o está dañada. Solicite la nueva ETIQUETA DE PRECAUCIÓN a un centro de reparaciones autorizado por metabo HPT.



7. Tabla de mantenimiento (Consulte la página 72.)

8. Solución de problemas por parte del operador (Consulte la página 73.)

⚠ PRECAUCIÓN

- En el manejo y el mantenimiento de las herramientas eléctricas, se deberán observar las normas y reglamentos vigentes en cada país.

SERVICIO Y REPARACIONES

⚠ ADVERTENCIA

- Este clavador solamente deberá repararlo personal entrenado por metabo HPT, un distribuidor, o el empresario.
- Para la reparación, utilice solamente las piezas suministradas o recomendadas por metabo HPT.

Todos los clavadores de calidad requerirán el servicio de mantenimiento o de reemplazo de piezas debido al desgaste con la utilización normal.

NOTA: Las especificaciones están sujetas a cambio sin previo aviso sin ninguna obligación por parte de metabo HPT.

Tabla de mantenimiento

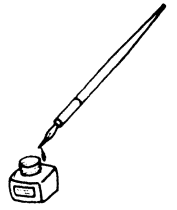
ACCIÓN	PARA	CÓMO
Drenaje diario del filtro de la línea de aire.	Evitar la acumulación de humedad y suciedad.	Abra la llave de escape manual.
Mantenimiento del lubricador lleno.	Mantener el clavador lubricado.	Rellene con lubricante para herramientas neumáticas metabo HPT.
Limpie el elemento de filtrado y sople aire a través del filtro en dirección opuesta al flujo normal diario.	Evitar que el filtro se atasque con suciedad.	Siga las instrucciones del fabricante.
Limpieza del cargador y del mecanismo del alimentador.	Evitar atascos.	Sople diariamente.
Mantenimiento de la palanca de empuje en perfectas condiciones.	Garantizar la seguridad del operador y la operación eficaz del clavador.	Sople diariamente.
Lubricación del clavador después de haberlo utilizado.	Prolongar la duración del clavador.	Aplique 5–10 gotas de lubricante al clavador.
Drene el compresor de aire todos los días.	Mantener el clavador en buenas condiciones de operación.	Abra la llave de llave de escape.

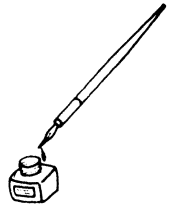
Solución de problemas por parte del operador

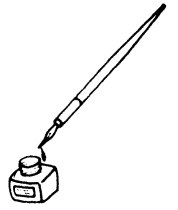
La mayoría de los problemas sin importancia podrán resolverse fácilmente utilizando la tabla siguiente.

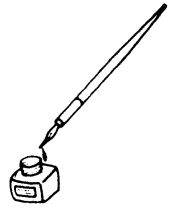
Si el problema persiste, póngase en contacto con un centro de reparaciones autorizado por metabo HPT.

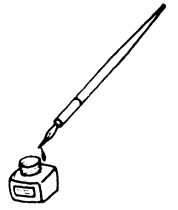
PROBLEMA	MÉTODO DE COMPROBACIÓN	SOLUCIÓN
El clavador funciona pero no clava clavos.	Compruebe si está atascado.	Desatásquelo.
	Compruebe el funcionamiento del alimentador de acuerdo con la página 71.	Limpie y lubrique.
	Compruebe si los clavos son las apropiados.	Utilice solamente los clavos recomendados.
Poca fuerza. Reciclado lento.	Compruebe la presión de aire.	Aumente la presión de aire. (No sobrepase 120 psi (8.3 bar 8.5 kgf/cm ²).)
	—	Utilice lubricante para herramientas neumáticas metabo HPT.
	¿Está gastada la cuchilla impulsora?	Solicite otra de reemplazo a metabo HPT.
	¿Está gastado o dañado el anillo O del pistón?	
Los clavos penetran demasiado.	Compruebe la presión de aire.	Reduzca la presión de aire. (Ajústela a 70–120 psi)
Salto de clavos. Alimentación intermitente.	Compruebe si está utilizando los clavos apropiados.	Utilice solamente los clavos recomendados.
	Compruebe el funcionamiento del alimentador de acuerdo con la página 71.	Limpie y lubrique.
	Compruebe la posición del soporte de clavos en el cargador de acuerdo con la página 63.	Reemplácelo.
	—	Utilice lubricante para herramientas neumáticas metabo HPT.
	¿Está el anillo O del pistón cortado o muy gastado?	Póngase en contacto con metabo HPT para reemplazarlo.
Clavos atascadas. Los clavos se clavan doblados.	Compruebe si los clavos son los apropiados.	Utilice solamente los clavos recomendados.
	¿Está gastada la cuchilla impulsora?	Póngase en contacto con metabo HPT para reemplazarlo.
El funcionamiento es normal, pero no es posible clavar a gran velocidad.	Compruebe el diámetro interior de la manguera de aire.	Utilice otra manguera de aire de mayor diámetro.

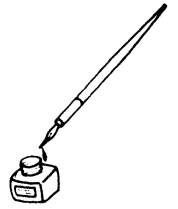












Issued by

Koki Holdings Co., Ltd.

Shinagawa Intercity Tower A, 15-1, Konan 2-chome,
Minato-ku, Tokyo 108-6020, Japan

Distributed by

Koki Holdings America Ltd.

1111 Broadway Ave,
Braselton, Georgia, 30517

Koki Holdings America Ltd. Canadian Branch

3405 American Drive, Units 9-10,
Mississauga, ON, L4V 1T6

301

Code No. C99226062 T
Printed in Taiwan