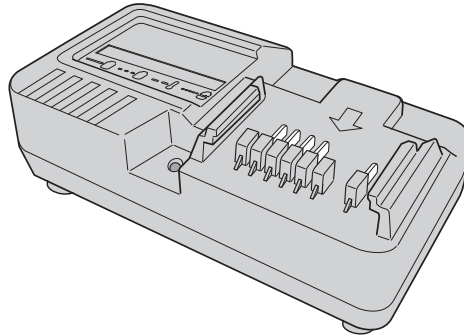


Model
Modèle
Modelo**UC 18YKSL****Battery Charger**
Chargeur de batterie
Cargador de baterías

SAFETY INSTRUCTIONS AND INSTRUCTION MANUAL

WARNING

IMPROPER OR UNSAFE use of this power tool can result in death or serious bodily injury! This manual contains important information about product safety. Please read and understand this manual before operating the power tool. Please keep this manual available for other users and owners before they use the battery charger. This manual should be stored in safe place.

INSTRUCTIONS DE SECURITE ET MODE D'EMPLOI

AVERTISSEMENT

Une utilisation **INCORRECTE OU DANGEREUSE** de ce chargeur de batterie peut entraîner la mort ou de sérieuses blessures corporelles !
Ce mode d'emploi contient d'importantes informations à propos de la sécurité de ce produit. Prière de lire et de comprendre ce mode d'emploi **AVANT** d'utiliser l'outil motorisé. Garder ce mode d'emploi à la disponibilité des autres utilisateurs et propriétaires avant qu'ils utilisent le chargeur de batterie. Ce mode d'emploi doit être conservé dans un endroit sûr.

INSTRUCCIONES DE SEGURIDAD Y MANUAL DE INSTRUCCIONES

ADVERTENCIA

¡La utilización **INAPROPIADA O PELIGROSA** de este cargador de baterías puede resultar en lesiones de gravedad o la muerte!
Este manual contiene información importante sobre la seguridad del producto. Lea y comprenda este manual **ANTES** de utilizar la herramienta eléctrica. Guarde este manual para que puedan leerlo otras personas antes de utilizar el cargador de baterías. Este manual debe ser guardado en un lugar seguro.

CONTENTS

English	Page	Page	
IMPORTANT SAFETY INSTRUCTIONS	3	CHARGING METHOD	8
MEANINGS OF SIGNAL WORDS	3	BEFORE USE	11
SAFETY	4	MAINTENANCE AND INSPECTION	11
IMPORTANT SAFETY INSTRUCTIONS FOR BATTERY CHARGER	4	STORAGE	12
IMPORTANT SAFETY INSTRUCTIONS FOR USE OF THE BATTERY AND BATTERY CHARGER	5	SERVICE AND REPAIRS	12
DISPOSAL OF THE EXHAUSTED BATTERY	6	PARTS LIST	33
OPERATION AND MAINTENANCE	7		
NAME OF PARTS	7		
SPECIFICATIONS	7		
APPLICATIONS	8		

TABLE DES MATIÈRES

Français	Page	Page	
CONSIGNES DE SÉCURITÉ IMPORTANTES	13	MÉTHODE DE RECHARGE	18
SIGNIFICATION DES MOTS D'AVERTISSEMENT	13	AVANT L'UTILISATION	21
SÉCURITÉ	14	ENTRETIEN ET INSPECTION	21
CONSIGNES DE SÉCURITÉ IMPORTANTES POUR LE CHARGEUR DE BATTERIE	14	RANGEMENT	22
CONSIGNES DE SÉCURITÉ IMPORTANTES POUR L'UTILISATION DE LA BATTERIE ET DU CHARGEUR DE BATTERIE	15	SERVICE APRES-VENTE ET RÉPARATIONS	22
MISE AU REBUT D'UNE BATTERIE USÉE	16	LISTE DES PIÈCES	33
UTILISATION ET ENTRETIEN	17		
NOM DES PARTIES	17		
SPECIFICATIONS	17		
UTILISATIONS	18		

ÍNDICE

Español	Página	Página	
INSTRUCCIONES IMPORTANTES SOBRE SEGURIDAD	23	OPERACIÓN Y MANTENIMIENTO	27
SIGNIFICADO DE LAS PALABRAS DE SEÑALIZACIÓN	23	NOMENCLATURA	27
SEGURIDAD	24	ESPECIFICACIONES	27
INSTRUCCIONES IMPORTANTES DE SEGURIDAD PARA EL CARGADOR DE BATERÍAS	24	APLICACIONES	28
INSTRUCCIONES IMPORTANTES DE SEGURIDAD PARA LA BATERÍA Y EL CARGADOR DE BATERÍAS	25	MÉTODO DE CARGA	28
ELIMINACIÓN DE LAS BATERÍAS AGOTADAS	26	ANTES DE LA UTILIZACIÓN	31
		MANTENIMIENTO E INSPECCIÓN	31
		ALMACENAMIENTO	32
		SERVICIO Y REPARACIONES	32
		LISTA DE PIEZAS	33

IMPORTANT SAFETY INSTRUCTIONS

Read and understand all of the safety precautions, warnings and operating instructions in the Instruction Manual before operating or maintaining this battery charger.

Most accidents that result from battery charger operation and maintenance are caused by the failure to observe basic safety rules or precautions. An accident can often be avoided by recognizing a potentially hazardous situation before it occurs, and by observing appropriate safety procedures.

Basic safety precautions are outlined in the “SAFETY” section of this Instruction Manual and in the sections which contain the operation and maintenance instructions.

Hazards that must be avoided to prevent bodily injury or machine damage are identified by WARNINGS on the battery charger and in this Instruction Manual.

NEVER use this battery charger in a manner that has not been specifically recommended by metabo HPT.

MEANINGS OF SIGNAL WORDS

WARNING indicates a potentially hazardous situations which, if ignored, could result in death or serious injury.

CAUTION indicates a potentially hazardous situations which, if not avoided, may result in minor or moderate injury, or may cause machine damage.

NOTE emphasizes essential information.

SAFETY

IMPORTANT SAFETY INSTRUCTIONS FOR BATTERY CHARGER

⚠ WARNING: Death or serious bodily injury could result from improper or unsafe use of battery chargers. To avoid these risks, follow these basic safety instructions:

READ ALL INSTRUCTIONS

1. **SAVE THESE INSTRUCTIONS:** This manual contains important safety and operating instructions for battery charger Model UC18YKSL.
2. Before using battery charger, read all instructions and cautionary markings on (1) battery charger, (2) battery, and (3) product using battery.
3. **⚠ CAUTION:** To reduce risk of injury, charge only metabo HPT rechargeable battery types BSL14 series, BSL18 series, and MV series. Other type of batteries may burst causing personal injury and damage.
4. Do not expose battery charger to rain or snow.
5. Use of an attachment not recommended or sold by the battery charger manufacturer may result in a risk of fire, electric shock, or injury to persons.
6. To reduce risk of damage to electric plug and cord, pull by plug when disconnecting battery charger.
7. Make sure cord is located so that it will not be stepped on, tripped over, or otherwise subjected to damage or stress.
8. An extension cord should not be used unless absolutely necessary. Use of improper extension cord could result in a risk of fire and electric shock.
If extension cord must be used make sure:
 - a. That blades of extension cord are the same number, size, and shape as those of plug on battery charger:
 - b. That extension cord is properly wired and in good electrical condition; and
 - c. That wire size is large enough for AC ampere rating of battery charger as specified in Table 1.

Table 1
RECOMMENDED MINIMUM AWG SIZE FOR
EXTENTION CORDS FOR BATTERY CHARGERS

AC Input Rating Amperes*		AWG Size of Cord			
Equal to or greater than	but less than	Length of Cord, Feet (Meter)			
		25 (7.5)	50 (15)	100 (30)	150 (45)
0	2	18	18	18	16
2	3	18	18	16	14
3	4	18	18	16	14

- * If the input rating of a battery charger is given in watts rather than in amperes, the corresponding ampere rating is to be determined by dividing the wattage rating by the voltage rating—for example:

$$\frac{1,250 \text{ watts}}{125 \text{ volts}} = 10 \text{ amperes}$$

9. Do not operate battery charger with damaged cord or plug—replace them immediately.
10. Do not operate battery charger if it has received a sharp blow, been dropped, or otherwise damaged in any way; take it to a qualified serviceman.
11. Do not disassemble battery charger; take it to a qualified serviceman when service or repair is required. Incorrect reassembly may result in a risk of electric shock or fire.
12. To reduce risk of electric shock, unplug charger from receptacle before attempting any maintenance or cleaning. Removing the battery will not reduce this risk.
13. This battery charger might be attached to metabo HPT battery operated tools as a standard accessory. In this case, please confirm Instruction Manual of the metabo HPT battery operated tools before using the battery charger.

IMPORTANT SAFETY INSTRUCTIONS FOR USE OF THE BATTERY AND BATTERY CHARGER

You must charge the battery before you can use the power tool. Before using the model UC18YKSL battery charger, be sure to read all instructions and cautionary statements on it, the battery and in this manual.

⚠ CAUTION: USE ONLY metabo HPT BATTERY TYPES BSL14 SERIES, BSL18 SERIES, AND MV SERIES. OTHER TYPES OF BATTERIES MAY BURST AND CAUSE INJURY!

Follow these instructions to avoid the risk of injury:

⚠ WARNING: Improper use of the battery or battery charger can lead to serious injury. To avoid these injuries:

1. **NEVER** disassemble the battery.
2. **NEVER** incinerate the battery, even if it is damaged or is completely worn out. The battery can explode in a fire.
3. **NEVER** short-circuit the battery.
4. **NEVER** insert any objects into the battery charger's air vents. Electric shock or damage to the battery charger may result.
5. **NEVER** charge outdoors. Keep the battery away from direct sunlight and use only where there is low humidity and good ventilation.
6. **NEVER** charge when the temperature is below 32°F (0°C) or above 104°F (40°C).
7. **NEVER** connect two battery chargers together.
8. **NEVER** insert foreign objects into the hole for the battery or the battery charger.
9. **NEVER** use a booster transformer when charging.
10. **NEVER** use an engine generator or DC power to charge.
11. **NEVER** store the battery or battery charger in places where the temperature may reach or exceed 104°F (40°C).

12. **ALWAYS** operate charger on standard household electrical power (120 volts). Using the charger on any other voltage may overheat and damage the charger.
13. **ALWAYS** wait at least 15 minutes between charges to avoid overheating the charger.
14. **ALWAYS** disconnect the power cord from its receptacle when the charger is not in use.

DISPOSAL OF THE EXHAUSTED BATTERY

⚠ WARNING: Do not dispose of the exhausted battery. The battery must explode if it is incinerated. The product that you have purchased contains a rechargeable battery. The battery is recyclable. At the end of its useful life, under various state and local laws, it may be illegal to dispose of this battery into the municipal waste stream. Check with your local solid waste officials for details in your area for recycling options or proper disposal.

**SAVE THESE INSTRUCTIONS
AND
MAKE THEM AVAILABLE TO
OTHER USERS
AND
OWNERS OF THIS TOOL!**

OPERATION AND MAINTENANCE

NOTE:

The information contained in this Instruction Manual is designed to assist you in the safe operation and maintenance of the battery charger.

NEVER operate, or attempt any maintenance on the battery charger unless you have first read and understood all safety instructions contained in this manual.

Some illustrations in this Instruction Manual may show details or attachments that differ from those on your own battery charger.

NAME OF PARTS

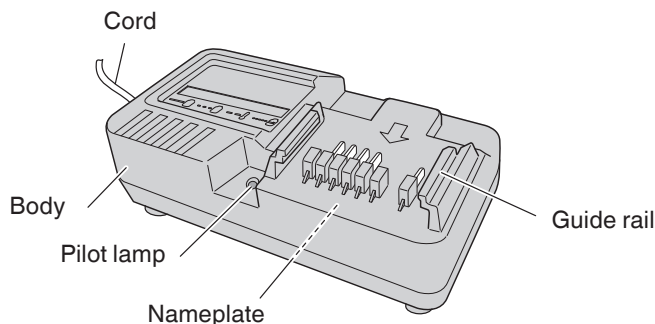


Fig. 1

SPECIFICATIONS

Model	UC18YKSL
Input power source	Single phase: AC 120 V, 60 Hz
Charging time	Approx. 35 minutes BSL1815S Approx. 40 minutes BSL1415, BSL1415X, BSL1815, BSL1815X Approx. 60 minutes BSL1820, BSL1820M Approx. 75 minutes BSL1425, BSL1825 Approx. 90 minutes BSL1430, BSL1830, BSL1830C Approx. 120 minutes BSL1440, BSL1840 Approx. 150 minutes BSL1450, BSL1850, BSL36A18 Approx. 180 minutes BSL1860 Approx. 240 minutes BSL36B18
Charger	Charging voltage DC 14.4 V–18 V Charging current DC 2.0 A
Weight	0.8 lbs (0.35 kg)

APPLICATIONS

For charging the metabo HPT batteries types BSL14 series, BSL18 series, and MV series.

CHARGING METHOD

NOTE: Before plugging into the receptacle, make sure the following points.

- The power source voltage is stated on the nameplate.
- The cord is not damaged.

⚠ WARNING: Do not charge at voltage higher than indicated on the nameplate.
If charged at voltage higher than indicated on the nameplate, the charger will burn up.

1. Insert the plug of battery charger into the receptacle.
When the plug of battery charger has been inserted into the receptacle, pilot lamp will blink in red. (At 1-second intervals)



⚠ WARNING: Do not use the electrical cord if damaged. Have it repaired immediately.

2. Insert the battery to the battery charger.
Insert the battery into the battery charger as shown in Fig. 2.

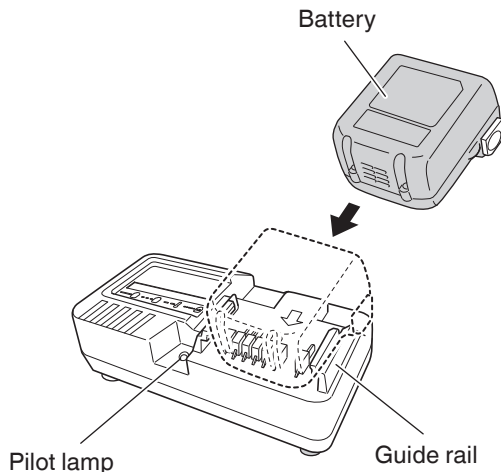


Fig. 2






3. Charging

- When the battery is inserted into the battery charger, charging will commence and the pilotlamp will light in red. (See Table 2)

NOTE: If the pilot lamp does not light or blink in red, pull out the plug from the receptacle and check if the battery is properly mounted.

- When the battery is fully charged, the pilot lamp will blink in red slowly. (At 1-second intervals) (See Table 2)

Table 2

Indications of the pilot lamp				
Pilot lamp (red)	Before charging	Blinks	Lights for 0.5 seconds. Does not light for 0.5 seconds. (off for 0.5 seconds) 	/
	While charging	Lights	Lights continuously 	
	Charging complete	Blinks	Lights for 0.5 seconds. Does not light for 0.5 seconds. (off for 0.5 seconds) 	
	Overheat standby	Blinks	Lights for 1 second. Does not light for 0.5 seconds. (off for 0.5 seconds) 	Battery overheated. Unable to charge. (Charging will commence when battery cools)
	Charging impossible	Flickers	Lights for 0.1 seconds. Does not light for 0.1 seconds. (off for 0.1 seconds) 	Malfunction in the battery or the charger

- Regarding the temperature of the rechargeable battery. The temperatures for rechargeable batteries are as shown in the Table 3, and batteries that have become hot should be cooled for a while before being recharged.

Table 3

Temperatures at which the battery can be recharged
32°F–122°F (0°C–50°C)

- Regarding recharging time

Table 4 shows the recharging time required according to the type of battery.

Table 4 Recharging time (approx. min.) at 20°C

Battery Capacity	Li-ion BATTERY			
	Battery Voltage			
	14.4 V		18 V	
1.3 Ah	—	—	BSL1815S	35 min.
1.5 Ah	BSL1415 BSL1415X	40 min.	BSL1815 BSL1815X	40 min.
2.0 Ah	—	—	BSL1820 BSL1820M	60 min.
2.5 Ah	BSL1425	75 min.	BSL1825	75 min.
3.0 Ah	BSL1430	90 min.	BSL1830 BSL1830C	90 min.
4.0 Ah	BSL1440	120 min.	BSL1840	120 min.
5.0 Ah	BSL1450	150 min.	BSL1850 BSL36A18	150 min.
6.0 Ah	—	—	BSL1860	180 min.
8.0 Ah	—	—	BSL36B18	240 min.

NOTE: The recharging time may vary according to the ambient temperature.

4. Disconnect battery charger from the receptacle.

⚠ CAUTION: Do not pull the plug out of the receptacle by pulling on the cord.
Make sure to grasp the plug when removing from receptacle to avoid damaging cord.

5. Hold the charger firmly and pull out the battery.
Supporting the battery charger with hand, pull out the battery from the battery charger.

NOTE

Be sure to pull out the battery from the battery charger after use, and then keep it.

Regarding electric discharge in case of new batteries, etc.

As the internal chemical substance of new batteries and batteries that have not been used for an extended period is not activated, the electric discharge might be low when using them the first and second time. This is a temporary phenomenon, and normal time required for recharging will be restored by recharging the batteries 2–3 times.

How to make the batteries perform longer.

- Recharge the batteries before they become completely exhausted.
When you feel that the power of the tool becomes weaker, stop using the tool and recharge its battery. If you continue to use the tool and exhaust the electric current, the battery may be damaged and its life will become shorter.
- Avoid recharging at high temperatures.
A rechargeable battery will be hot immediately after use. If such a battery is recharged immediately after use, its internal chemical substance will deteriorate, and the battery life will be shortened. Leave the battery and recharge it after it has cooled for a while.

CAUTION:

- When the battery charger has been continuously used, the battery charger will be heated, thus constituting the cause of the failures. Once the charging has been completed, give 15 minutes rest until the next charging.
- If the battery is charged while it is heated because it has been left for a long time in a location subject to direct sunlight or because the battery has just been used, the pilot lamp of the charger lights for 1 second, does not light for 0.5 seconds (off for 0.5 seconds).
The battery will not be recharged. In such a case, let the battery cool before charging.
- When the pilot lamp flickers (at 0.2-second intervals), check for and take out any foreign objects in the charger's battery connector. If there are no foreign objects, it is probable that the battery or charger is malfunctioning. Take it to your authorized Service Center.

BEFORE USE

Check the work area to make sure that it is clear of debris and clutter.


Clear the area of unnecessary personnel. Ensure that lighting and ventilation is adequate.

MAINTENANCE AND INSPECTION

 **CAUTION: Pull out battery before doing any inspection or maintenance.**

1. Check the Screws

Loose screws are dangerous. Regularly inspect them and make sure they are tight.

 **CAUTION: Using this battery charger with loosened screws is extremely dangerous.**

2. Check for Dust

Dust may be removed with a soft cloth or a cloth dampened with soapy water.

Do not use bleach, chlorine, gasoline or thinner, for they may damage the plastics.

3. Service parts list

 **CAUTION:**

Repair, modification and inspection of metabo HPT Power Tools must be carried out by an metabo HPT Authorized Service Center.

This Parts List will be helpful if presented with the tool to the metabo HPT Authorized Service Center when requesting repair or other maintenance. In the operation and maintenance of power tools, the safety regulations and standards prescribed in each country must be observed.

MODIFICATIONS:

metabo HPT Power Tools are constantly being improved and modified to incorporate the latest technological advancements.

Accordingly, some parts (i.e. code numbers and/or design) may be changed without prior notice.

STORAGE

Storing in a place below 104°F (40°C) and out of the reach of children.

SERVICE AND REPAIRS

All quality power tools will eventually require servicing or replacement of parts because of wear from normal use. To assure that only authorized replacement parts will be used, all service and repairs must be performed by a metabo HPT AUTHORIZED SERVICE CENTER, ONLY.

NOTE: Specifications are subject to change without any obligation on the part of the metabo HPT.

CONSIGNES DE SÉCURITÉ IMPORTANTES

Lire et comprendre toutes les précautions de sécurité, les avertissements et les instructions de fonctionnement dans ce mode d'emploi avant d'utiliser ou d'entretenir ce chargeur de batterie.

La plupart des accidents causés lors de l'utilisation ou de l'entretien du chargeur de batterie proviennent d'un non respect des règles ou précautions de base de sécurité. Un accident peut la plupart du temps être évité si l'on reconnaît une situation de danger potentiel avant qu'elle ne se produise, et en observant les procédures de sécurité appropriées.

Les précautions de base de sécurité sont mises en évidence dans la section "SECURITE" de ce mode d'emploi et dans les sections qui contiennent les instructions de fonctionnement et d'entretien.

Les dangers qui doivent être évités pour prévenir des blessures corporelles ou un endommagement de la machine sont identifiés par AVERTISSEMENTS sur le chargeur de batterie et dans ce mode d'emploi.

NE JAMAIS utiliser ce chargeur de batterie d'une manière qui n'est pas spécifiquement recommandée par metabo HPT.

SIGNIFICATION DES MOTS D'AVERTISSEMENT

AVERTISSEMENT indique des situations potentiellement dangereuses qui, si elles sont ignorées, pourraient entraîner la mort ou de sérieuses blessures.

PRECAUTION indique des situations dangereuses potentielles qui, si elles ne sont pas évitées, peuvent entraîner de mineures et légères blessures ou endommager la machine.

REMARQUE met en relief des informations essentielles.

SÉCURITÉ

CONSIGNES DE SÉCURITÉ IMPORTANTES POUR LE CHARGEUR DE BATTERIE

⚠ AVERTISSEMENT: Une utilisation incorrecte ou dangereuse des chargeurs de batterie peut entraîner la mort ou des blessures graves.

LIRE TOUT CE MODE D'EMPLOI.

- 1. CONSERVER CES INSTRUCTIONS:** Ce manuel renferme des consignes de sécurité et d'utilisation importantes pour le chargeur de batterie modèle UC18YKSL.
2. Avant d'utiliser le chargeur de batterie, lire toutes les étiquettes d'instruction et de précaution apposées sur (1) le chargeur de batterie, (2) la batterie, et (3) le produit utilisant la batterie.
3. **⚠ ATTENTION:** Pour réduire tout risque de blessure, NE recharger QUE les batteries rechargeables metabo HPT utilisées dans le modèle séries BSL14, BSL18 et MV. Les autres types de batterie pourraient exploser et provoquer des blessures ou des dommages.
4. Ne pas exposer le chargeur à la pluie ni à la neige.
5. L'utilisation d'un accessoire non recommandé ou non vendu par le fabricant du chargeur de batterie risque de provoquer un feu, une décharge électrique ou des blessures.
6. Pour réduire tout risque de dommage de la fiche et du cordon électrique, débrancher le cordon du chargeur en tirant sur la fiche.
7. Vérifier que le cordon est placé de façon que personne ne puisse marcher dessus, se prendre les pieds dedans, ni l'endommager ou le soumettre à des contraintes.
8. Ne pas utiliser de cordon de rallonge si cela n'est pas absolument nécessaire. L'utilisation d'un cordon de rallonge incorrect pourrait entraîner un feu ou une décharge électrique. Si l'on doit utiliser un cordon de rallonge, s'assurer que :
 - a. Les broches de la rallonge ont les mêmes numéro, taille et forme que celles de la fiche du chargeur;
 - b. Le cordon de rallonge est correctement raccordé et en bon état électrique;
 - c. Le calibre du fil doit être au moins suffisant pour l'intensité nominale CA (ampères) du chargeur de batterie spécifiées dans le tableau ci-dessous.

TABLEAU 1
CALIBRE MINIMUM RECOMMANDÉ POUR LES CORDONS DE RALLONGE
DES CHARGEURS DE BATTERIE

Intensité nominale d'entrée CA (ampères)*		Calibre du cordon			
Egal ou supérieur à	mais non inférieur à	Longueur de cordon en pieds (mètres)			
		25 (7,5)	50 (15)	100 (30)	150 (45)
0	2	18	18	18	16
2	3	18	18	16	14
3	4	18	18	16	14

* Si l'intensité nominale d'entrée du chargeur de batterie est donnée en watts et non en ampères, calculer la capacité en ampères correspondante en divisant la capacité en watts par la capacité de tension, par exemple:

$$\frac{1250 \text{ watts}}{125 \text{ volts}} = 10 \text{ ampères}$$

9. Ne pas utiliser le chargeur si son cordon ou sa fiche sont endommagés - Le remplacer immédiatement.
10. Ne pas utiliser le chargeur s'il a reçu un coup, s'il est tombé ou endommagé de toute autre manière. L'apporter à un réparateur qualifié.
11. Ne pas démonter le chargeur ni le produit qui reçoit la batterie ; si un entretien ou des réparations sont nécessaires, les apporter à un réparateur qualifié. Un remontage incorrect pourrait provoquer une décharge électrique ou un feu.
12. Pour réduire tout risque de décharge électrique, débrancher le chargeur de la prise secteur avant tout entretien ou nettoyage. Il ne suffit pas de sortir la batterie.
13. Ce chargeur de batterie pourra être fixé comme accessoire standard sur les outils metabo HPT alimentés sur batterie. Dans ce cas, vérifier le mode d'emploi de l'outil metabo HPT alimenté sur batterie avant d'utiliser le chargeur de batterie.


CONSIGNES DE SÉCURITÉ IMPORTANTES POUR L'UTILISATION DE LA BATTERIE ET DU CHARGEUR DE BATTERIE

Pour pouvoir utiliser l'outil motorisé, il faudra recharger la batterie. Avant d'utiliser le chargeur de batterie modèle UC18YKSL, bien lire attentivement toutes les consignes et les avertissements signalés sur le chargeur, sur la batterie ou dans ce manuel.

ATTENTION:


UTILISER EXCLUSIVEMENT DES BATTERIES metabo HPT DES SÉRIES BSL14, BSL18 ET MV. LES AUTRES TYPES DE BATTERIE POURRAIENT EXPLOSER OU PROVOQUER DES BLESSURES.

Pour éviter tout risque de blessure, observer les consignes suivantes:

 AVERTISSEMENT: Une utilisation incorrecte de la batterie ou du chargeur de batterie risque de provoquer des blessures. Pour éviter tout risque de blessure:

1. **NE JAMAIS** démonter la batterie.
2. **NE JAMAIS** jeter la batterie au feu, même si elle est endommagée ou complètement usée. La batterie risque d'exploser au feu.
3. **NE JAMAIS** court-circuiter la batterie.
4. **NE JAMAIS** insérer d'objets dans les ouïes d'aération du chargeur. Il pourrait en résulter un choc électrique ou des dommages du chargeur.
5. **NE JAMAIS** effectuer la recharge à l'extérieur. Eloigner la batterie des rayons directs du soleil et utiliser exclusivement dans des endroits à faible humidité et bien aérés.
6. **NE JAMAIS** effectuer la recharge si la température est inférieure à 32°F (0°C) ou supérieure à 104°F (40°C).
7. **NE JAMAIS** raccorder deux chargeurs de batterie ensemble.
8. **NE JAMAIS** insérer de corps étrangers dans l'orifice de la batterie ou du chargeur de batterie.
9. **NE JAMAIS** utiliser de transformateur-élévateur pour la recharge.
10. **NE JAMAIS** utiliser de générateur de moteur ni d'alimentation CC pour la recharge.
11. **NE JAMAIS** ranger la batterie ni le chargeur de batterie dans un lieu où la température peut atteindre ou dépasser 104°F (40°C).
12. **TOUJOURS** alimenter le chargeur sur une prise secteur domestique standard (120 volts). L'utilisation du chargeur à une autre tension peut entraîner une surchauffe et endommager le chargeur.
13. **TOUJOURS** attendre au moins 15 minutes entre deux recharges pour éviter toute surchauffe du chargeur.
14. **TOUJOURS** débrancher le cordon d'alimentation de la prise secteur lorsqu'on ne se sert pas du chargeur.

MISE AU REBUT D'UNE BATTERIE USÉE

 **AVERTISSEMENT:** Ne pas jeter la batterie usée aux ordures ménagères. La batterie risque d'exploser si elle est incinérée. L'appareil que vous avez acheté renferme une batterie rechargeable. La batterie est recyclable. Lorsqu'elle a atteint sa limite de service, selon les lois des états et les lois locales, il peut être illégal de jeter cette batterie aux ordures ménagères. Vérifier auprès de son service de ramassage d'ordures les options de recyclage et la procédure correcte de mise au rebut.

**CONSERVER CES INSTRUCTIONS
ET
LES METTRE A LA DISPOSITION
DES AUTRES UTILISATEURS
ET
PROPRIETAIRES DE CET OUTIL!**

UTILISATION ET ENTRETIEN

REMARQUE:

Les informations contenues dans ce mode d'emploi sont conçues pour assister l'utilisateur dans une utilisation sans danger et un entretien du chargeur de batterie.

NE JAMAIS utiliser ni entreprendre une révision du chargeur de batterie sans avoir d'abord lu et compris toutes les instructions de sécurité contenues dans ce manuel.

Certaines illustrations dans ce mode d'emploi peuvent montrer des détails ou des accessoires différents de ceux du chargeur de batterie.

NOM DES PARTIES

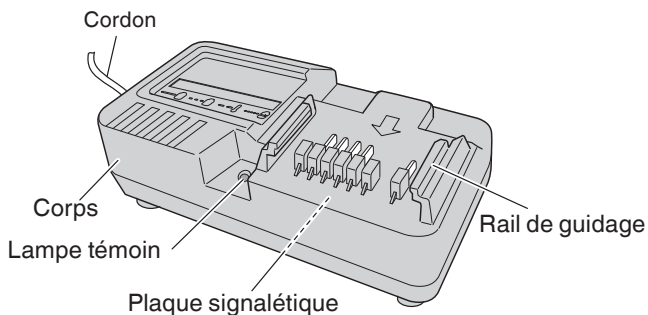


Fig. 1

SPECIFICATIONS

Modèle	UC18YKSL
Source d'alimentation d'entrée	Monophasée: CA 120 V, 60 Hz
Durée de recharge	Environ 35 minutes BSL1815S Environ 40 minutes BSL1415, BSL1415X, BSL1815, BSL1815X Environ 60 minutes BSL1820, BSL1820M Environ 75 minutes BSL1425, BSL1825 Environ 90 minutes BSL1430, BSL1830, BSL1830C Environ 120 minutes BSL1440, BSL1840 Environ 150 minutes BSL1450, BSL1850, BSL36A18 Environ 180 minutes BSL1860 Environ 240 minutes BSL36B18
Chargeur	Tension de chargeDC 14,4 V-18 V Courant de chargeDC 2,0 A
Poids	0,8 lbs (0,35 kg)

UTILISATIONS

Pour recharger les batteries metabo HPT du type de la série BSL14, BSL18 et MV.

MÉTHODE DE RECHARGE

REMARQUE: Avant de brancher le chargeur dans la prise, vérifier les points suivants:

- La tension de la source d'alimentation est indiquée sur la plaque signalétique.
- Le cordon n'est pas endommagé.

⚠ AVERTISSEMENT: Ne pas effectuer de recharge à une tension supérieure à la tension indiquée sur la plaque signalétique. Cela brûlerait le chargeur.

1. Brancher la fiche du chargeur de batterie dans la prise.

Quand la fiche du chargeur de batterie est branchée dans la prise, le voyant de recharge clignote lentement en rouge. (A intervalles d'une seconde)



⚠ AVERTISSEMENT: Ne pas utiliser le cordon électrique s'il est endommagé. Le faire réparer immédiatement.

2. Insérer la batterie dans le chargeur de batterie.

Insérer la batterie dans le chargeur de batterie comme indiqué à la Fig. 2.

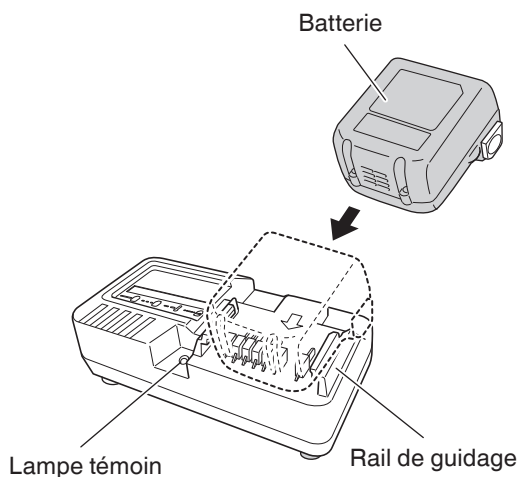


Fig. 2






3. Recharge

- Quand la batterie est insérée dans le chargeur de batterie, la recharge commence et la lampe témoin s'allume en rouge. (Voir le Tableau 2)

REMARQUE : Si la lampe témoin ne s'allume pas ou clignote en rouge, débrancher la fiche de la prise et vérifier si la batterie est insérée correctement.

- Quand la batterie est rechargée à fond, la lampe témoin clignote lentement en rouge. (A intervalles d'une seconde) (Voir le Tableau 2.)

Tableau 2

Explications de la lampe témoin				
Lampe témoin (rouge)	Avant la recharge	Clignote	S'allume pendant 0,5 seconde. Ne s'allume pas pendant 0,5 seconde. (Eteint pendant 0,5 seconde) 	
	Pendant la recharge	S'allume	S'allume sans interruption 	
	Recharge terminée	Clignote	S'allume pendant 0,5 seconde. Ne s'allume pas pendant 0,5 seconde. (Eteint pendant 0,5 seconde) 	
	Veille en surchauffe	Clignote	S'allume pendant 1 seconde. Ne s'allume pas pendant 0,5 seconde. (Eteint pendant 0,5 seconde) 	Batterie en surchauffe. Chargement impossible (le chargement commencera une fois que la batterie sera froide).
	Recharge impossible	Clignote	S'allume pendant 0,1 seconde. Ne s'allume pas pendant 0,1 seconde. (Eteint pendant 0,1 seconde) 	Anomalie de la batterie ou du chargeur

- Au sujet de la température de la batterie rechargeable
Les températures des batteries rechargeables sont indiquées dans le tableau ci-dessous.
Laisser refroidir les batteries qui ont chauffé avant de les recharger.

Tableau 3

Températures de recharge de la batterie
32°F–122°F (0°C–50°C)

○ Durée de recharge

Le Tableau 4 montre le temps de recharge nécessaire en fonction du type de batterie.

Tableau 4 Temps de recharge (en minutes approx.) à 20°C

Capacité de la batterie	BATTERIE Li-ion			
	Tension de la batterie			
	14,4 V		18 V	
1,3 Ah	—	—	BSL1815S	35 min.
1,5 Ah	BSL1415 BSL1415X	40 min.	BSL1815 BSL1815X	40 min.
2,0 Ah	—	—	BSL1820 BSL1820M	60 min.
2,5 Ah	BSL1425	75 min.	BSL1825	75 min.
3,0 Ah	BSL1430	90 min.	BSL1830 BSL1830C	90 min.
4,0 Ah	BSL1440	120 min.	BSL1840	120 min.
5,0 Ah	BSL1450	150 min.	BSL1850 BSL36A18	150 min.
6,0 Ah	—	—	BSL1860	180 min.
8,0 Ah	—	—	BSL36B18	240 min.

REMARQUE: Le temps de recharge peut varier en fonction de la température ambiante.

4. Débrancher le chargeur de batterie de la prise.

 **ATTENTION:**

Ne pas débrancher la fiche de la prise en tirant sur le cordon.

Pour éviter tout dommage lorsqu'on débranche la fiche de la prise, bien tenir la fiche proprement dite.

5. Tenir fermement le chargeur et dégager la batterie.

Sortir la batterie du chargeur tout en la soutenant de la main.

REMARQUE

Bien sortir la batterie du chargeur de batterie après usage, et la conserver.

En ce qui concerne le courant de décharge d'une batterie neuve

Etant donnée que les substances chimiques internes sont restées inactives dans le cas des batteries neuves ou des batteries qui sont restées longtemps inutilisées, le courant de décharge risque d'être très faible lors des première et deuxième utilisations. Ce phénomène est temporaire et le temps de recharge normal sera rétabli quand les batteries auront été rechargées 2 ou 3 fois.

Comment prolonger la durée de vie des batteries

- Recharger les batteries avant qu'elles ne soient complètement épuisées.
Quand la puissance de l'outil utilisé faiblit, l'éteindre et recharger la batterie. Si l'outil continue d'être utilisé jusqu'à épuisement du courant électrique, la batterie risque d'être endommagée et sa durée de vie se raccourcira.
- Eviter d'effectuer la recharge sous des températures élevées.
Une batterie est toujours chaude immédiatement après son utilisation. Si la batterie est rechargée immédiatement après utilisation, les substances chimiques internes risquent de se détériorer et la durée de vie de la batterie se raccourcira. Laisser la batterie refroidir un moment avant de l'utiliser.

ATTENTION:

- **Si le chargeur a fonctionné pendant longtemps de suite, il sera chaud, ce qui risque de provoquer des pannes. Lorsque la recharge est terminée, laisser le chargeur refroidir pendant environ 15 secondes avant de passer à la recharge suivante.**
- **Si la batterie est chaude quand elle est rechargée, parce qu'elle est restée longtemps en plein soleil ou parce qu'elle vient juste d'être utilisée, la lampe pilote du chargeur clignote en s'allumant pendant 1 seconde, puis en s'éteignant pendant 0,5 seconde.**
La batterie ne se rechargera pas. Dans ce cas, laisser la batterie refroidir avant de la recharger.
- **Quand la lampe témoin clignote rapidement (à intervalles de 0,2 seconde), vérifier le chargeur et retirer tout objet étranger qui serait tombé dans son connecteur. S'il n'y a rien d'amormal, il est alors probable que la batterie ou le chargeur fonctionne mal. Dans ce cas, les enlever et les porter à un réparateur agréé.**

AVANT L'UTILISATION

Vérifier l'aire de travail pour s'assurer qu'il n'y a ni débris ni désordre.


Evacuer toutes les personnes non nécessaires au travail. S'assurer que l'éclairage et la ventilation sont satisfaisants.

ENTRETIEN ET INSPECTION

 **ATTENTION: Sortir la batterie avant toute opération d'inspection ou d'entretien.**

1. Vérifier les vis

Des vis mal serrées sont dangereuses. Les inspecter régulièrement et vérifier qu'elles sont serrées à fond.

 **ATTENTION: Il serait extrêmement dangereux d'utiliser ce chargeur de batterie avec des vis mal serrées.**

2. Vérifier s'il y a de la poussière

Enlever la poussière avec un chiffon doux ou un chiffon humecté d'eau savonneuse.

Ne pas utiliser de décolorant, chlorure, essence ou diluant, car ces produits pourraient endommager le plastique.

3. Liste des pièces de rechange

 **PRECAUTION:**

Les réparations, modifications et inspections des outils électriques metabo HPT doivent être confiées à un service après-vente metabo HPT agréé. Il sera utile de présenter cette liste de pièces au service après-vente metabo HPT agréé lorsqu'on apporte un outil nécessitant des réparations ou tout autre entretien.

Lors de l'utilisation et de l'entretien d'un outil électrique, respecter les règlements et les normes de sécurité en vigueur dans le pays en question.

MODIFICATIONS:

Les outils électriques metabo HPT sont constamment améliorés et modifiés afin d'incorporer les tous derniers progrès technologiques.

En conséquence, il est possible que certaines pièces (c.-à-d. no. de code et/ou dessin) soient modifiées sans avis préalable.

RANGEMENT

Ranger dans un lieu dont la température est inférieure à 104°F (40°C), et hors de portée des enfants.

SERVICE APRES-VENTE ET RÉPARATIONS

Tous les outils motorisés de qualité auront éventuellement besoin d'une réparation ou du remplacement d'une pièce à cause de l'usure normale de l'outil. Pour assurer que seules des pièces de rechange autorisées seront utilisées, tous les entretiens et les réparations doivent être effectués uniquement par UN CENTRE DE SERVICE metabo HPT AUTORISE.

REMARQUE:

Les spécifications sont sujettes à modification sans aucune obligation de la part de metabo HPT.

INSTRUCCIONES IMPORTANTES SOBRE SEGURIDAD

Antes de utilizar o de realizar cualquier trabajo de mantenimiento de este cargador de baterías, lea y comprenda todas las precauciones de seguridad, advertencias e instrucciones de funcionamiento de este Manual de instrucciones.

La mayoría de los accidentes producidos en la operación y el mantenimiento de un cargador de baterías se deben a la falta de observación de las normas o precauciones de seguridad. Los accidentes normalmente podrán evitarse reconociendo una situación potencialmente peligrosa a tiempo y siguiendo los procedimientos de seguridad apropiados.

Las precauciones básicas de seguridad se describen en la sección “SEGURIDAD” de este Manual de instrucciones y en las secciones que contienen las instrucciones de operación y mantenimiento.

Para evitar lesiones o el daño del cargador de baterías, los riesgos están identificados con ADVERTENCIAS en dicho cargador y en este Manual de instrucciones.

No utilice **NUNCA** este cargador de baterías de ninguna forma que no esté específicamente recomendada por metabo HPT.

SIGNIFICADO DE LAS PALABRAS DE SEÑALIZACIÓN

ADVERTENCIA indica situaciones potencialmente peligrosas que, si se ignoran, pueden resultar en la muerte o en lesiones de gravedad.

PRECAUCIÓN indica situaciones potencialmente peligrosas que, de no evitarse, pueden resultar en lesiones menores o moderadas, o causar daños en la herramienta eléctrica.

NOTA acentúa información esencial.

SEGURIDAD

INSTRUCCIONES IMPORTANTES DE SEGURIDAD PARA EL CARGADOR DE BATERÍAS

⚠ ADVERTENCIA: La utilización inadecuada del cargador de baterías puede resultar en lesiones serias o en la muerte. Para evitar estos riesgos, siga las instrucciones de seguridad ofrecidas a continuación.

LEA TODAS LAS INSTRUCCIONES

- 1. GUARDE ESTAS INSTRUCCIONES:** Este manual contiene instrucciones importantes de seguridad para el cargador de baterías modelo UC18YKSL.
2. Antes de utilizar el cargador de baterías, lea todas las instrucciones y tenga en cuenta las marcas de precaución de (1) el cargador de baterías, (2) la batería, y (3) el producto que utiliza la batería.
3. **⚠ PRECAUCIÓN:** Para reducir el riesgo de lesiones, solamente cargue la batería metabo HPT de tipo de la series BSL14, series BSL18 y de las series MV. Otros tipos de baterías podrían explotar causando lesiones y daños.
4. No exponga el cargador de baterías a la lluvia ni a la nieve.
5. La utilización de un accesorio no recomendado o vendido por el fabricante del cargador de baterías puede resultar en el riesgo de incendios, en descargas eléctricas, o en lesiones.
6. Para reducir el riesgo de dañar el cable y el enchufe, para desconectar el cable del cargador de baterías, tire del enchufe.
7. Cerciórese de que el cable quede situado donde no pueda pisarse, donde nadie pueda tropezar con él, y donde no pueda recibir daños.
8. A menos que sea absolutamente necesario, no deberá utilizarse un cable prolongador. La utilización de un cable prolongador inadecuado podría resultar en el riesgo de incendios y descargas eléctricas.
Cuando tenga que utilizar un cable prolongador, cerciórese de que:
 - a. El enchufe del cable prolongador sea igual en tamaño y forma que el del cargador de baterías;
 - b. El cable prolongador esté adecuadamente conectado y en buenas condiciones eléctricas; y
 - c. Que el calibre del cable sea suficiente para el amperaje de CA del cargador de baterías, como se especifica en la Tabla 1.

Tabla 1
CALIBRE (AWG) MÍNIMO RECOMENDADO PARA CABLES PROLONGADORES
PARA EL CARGADOR DE BATERÍAS

Amperaje nominal de entrada de CA*		Calibre (AWG) del cable			
Igual o superior a	pero inferior a	Longitud del cable, Pies (metros)			
		25 (7.5)	50 (15)	100 (30)	150 (45)
0	2	18	18	18	16
2	3	18	18	16	14
3	4	18	18	16	14

* Si la entrada nominal del cargador de baterías se indica en vatios en vez de amperios, el amperaje nominal correspondiente se determinará dividiendo el vataje por la tensión, por ejemplo:

$$\frac{1,250 \text{ vatios}}{125 \text{ voltios}} = 10 \text{ amperios}$$

9. No utilice el cargador de baterías con un cable o un enchufe dañado. Si están dañados, reemplácelos inmediatamente.
10. No utilice el cargador de baterías si ha recibido un golpe, si ha caído, o si está dañado de alguna otra forma. Llévelo a un técnico cualificado.
11. No desarme el cargador de baterías. Cuando necesite reparación, llévelo a un técnico cualificado. El reensamblaje incorrecto podría resultar en el riesgo de incendios o descargas eléctricas.
12. Para reducir el riesgo de descargas eléctricas, desenchufe el cargador del tomacorriente antes de intentar realizar cualquier operación de mantenimiento o de limpiarlo. La extracción de la batería no reducirá este riesgo.
13. Este cargador de baterías puede utilizarse con herramientas alimentadas con batería metabo HPT como accesorio estándar. En este caso, antes de utilizarlo, lea los manuales de instrucciones de las herramientas alimentadas con batería metabo HPT.

INSTRUCCIONES IMPORTANTES DE SEGURIDAD PARA LA BATERÍA Y EL CARGADOR DE BATERÍAS

Usted deberá cargar la batería antes de utilizar la herramienta eléctrica. Antes de utilizar el cargador de baterías modelo UC18YKSL, cerciórese de leer todas las instrucciones y precauciones del mismo, de la batería, y de este manual.

⚠ PRECAUCIÓN: ¡UTILICE SOLAMENTE BATERÍAS metabo HPT DE LOS TIPOS DE LAS SERIES BSL14, SERIES BSL18 Y DE LAS SERIES MV. LOS DEMÁS TIPOS DE BATERÍAS PODRÍAN EXPLOTAR Y CAUSAR LESIONES!

Para evitar el riesgo de lesiones, siga las instrucciones ofrecidas a continuación:

⚠ ADVERTENCIA: La utilización inadecuada de la batería o del cargador de baterías puede conducir a lesiones serias. Para evitar estas lesiones:

1. **NUNCA** desarme la batería.
2. **NUNCA** incinere una batería, aunque esté dañada o completamente agotada.
3. **NUNCA** cortocircuite la batería.
4. **NUNCA** inserte ningún objeto en las ranuras de ventilación del cargador. Si lo hiciese podría recibir descargas eléctricas o dañar el cargador de baterías.
5. **NUNCA** cargue en exteriores. Mantenga la batería alejada de la luz solar directa, y utilícela solamente donde haya poca humedad y una buena ventilación.
6. **NUNCA** cargue cuando la temperatura sea inferior a 32°F (0°C) o superior a 104°F (40°C).
7. **NUNCA** conecte dos cargadores de baterías juntos.
8. **NUNCA** inserte objetos extraños en el orificio para la batería ni en el cargador de baterías.
9. **NUNCA** utilice un transformador elevador para cargar.
10. **NUNCA** utilice un motogenerador ni tensión de CC para cargar.
11. **NUNCA** guarde la batería ni el cargador de baterías en lugares en los que la temperatura pueda alcanzar o sobrepasar 104°F (40°C).
12. **SIEMPRE** utilice el cargador con un tomacorriente (120 voltios). La utilización de un cargador con cualquier otra tensión podría hacer que éste se recalentase y dañase.
13. **SIEMPRE** espere 15 minutos por lo menos entre las cargas para evitar que el cargador se recaliente.
14. **SIEMPRE** desconecte el cable de alimentación del tomacorriente cuando no vaya a utilizar el cargador.

ELIMINACIÓN DE LAS BATERÍAS AGOTADAS

⚠ ADVERTENCIA: No tire las baterías agotadas. Las baterías pueden explotar si se incineran. El producto que ha adquirido contiene una batería. La batería es reciclable. Cuando se agote su duración útil, de acuerdo con las leyes estatales y locales, puede ser ilegal tirar esta batería a la basura, Solicite a las autoridades locales los detalles sobre las opciones de reciclado o de la forma de deshacerse apropiadamente de la batería.

**¡GUARDE ESTAS INSTRUCCIONES
Y
PÓNGALAS A DISPOSICIÓN DE
OTROS USUARIOS
Y
PROPIETARIOS DE ESTA
HERRAMIENTA!**

OPERACIÓN Y MANTENIMIENTO

NOTA:

La información contenida en este Manual de instrucciones ha sido diseñada para ayudarle a utilizar con seguridad y mantener este cargador de baterías.

NUNCA haga funcionar ni efectúe el mantenimiento del cargador de baterías antes de leer y comprender todas las instrucciones de seguridad contenidas en este manual.

Algunas ilustraciones de este Manual de Instrucciones pueden mostrar detalles o accesorios diferentes a los del propio cargador de baterías.

NOMENCLATURA

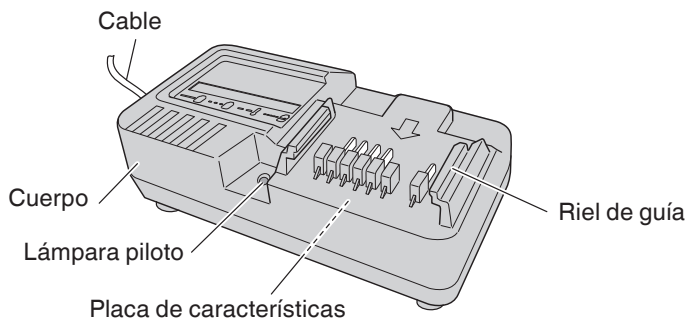


Fig. 1

ESPECIFICACIONES

Modelo	UC18YKSL
Fuente de alimentación de entrada	Monofásica: 120 V CA, 60 Hz
Tiempo de carga	Aprox. 35 minutos BSL1815S Aprox. 40 minutos BSL1415, BSL1415X, BSL1815, BSL1815X Aprox. 60 minutos BSL1820, BSL1820M Aprox. 75 minutos BSL1425, BSL1825 Aprox. 90 minutos BSL1430, BSL1830, BSL1830C Aprox. 120 minutos ... BSL1440, BSL1840 Aprox. 150 minutos ... BSL1450, BSL1850, BSL36A18 Aprox. 180 minutos ... BSL1860 Aprox. 240 minutos ... BSL36B18
Cargador	Tensión de carga 14.4 V CC–18 V CC Corriente de carga..... 2.0 A CC
Peso	0.8 lbs (0.35 kg)

APLICACIONES

Carga de baterías de tipos de la series BSL14, series BSL18 y de las series MV metabo HPT.

MÉTODO DE CARGA

NOTA: Antes de enchufar el cargador en un tomacorriente, tenga en cuenta los puntos siguientes.

- La tensión de la fuente de alimentación está indicada en la placa de características.
- El cable no deberá estar dañado.

⚠ ADVERTENCIA: No cargue con una tensión superior a la indicada en la placa de características.

Si cargase con una tensión superior a la indicada en la placa de características, el cargador se quemaría.

1. Inserte el enchufe del cargador de baterías en un tomacorriente.

Cuando haya insertado el enchufe del cargador de baterías en un tomacorriente, la lámpara piloto parpadeará lentamente en rojo. (A intervalos de 1 segundo).

⚠ ADVERTENCIA: No utilice el cargador si su cable está dañado. Haga que se lo reparen inmediatamente.



2. Inserte la batería en el cargador de baterías.

Inserte la batería en el cargador de baterías como se muestra en la Fig. 2.

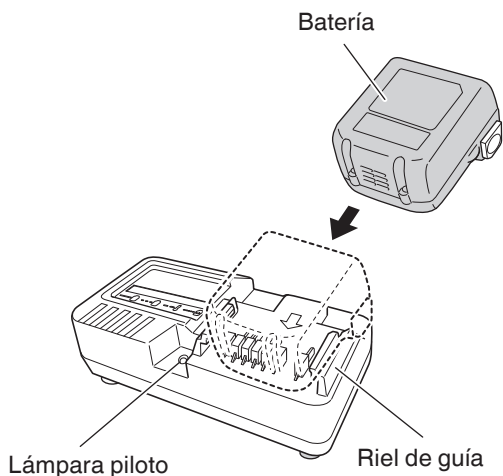


Fig. 2






3. Carga

- Cuando inserte la batería en el cargador de baterías, se iniciará la carga, y la lámpara piloto se encenderá en rojo. (Consulte la Tabla 2.)

NOTA: Si la lámpara piloto no se enciende o parpadea en rojo, desconecte el enchufe del tomacorriente y compruebe si la batería está correctamente insertada.

- Cuando la batería se haya cargado completamente, la lámpara parpadeará lentamente en rojo. (A intervalos de 1 segundo) (Consulte la Tabla 2.)

Tabla 2

Indicaciones de la lámpara indicadora				
Lámpara piloto (rojo)	Antes de la carga	Parpadeo	Se encenderá durante 0.5 segundos. No se encenderá durante 0.5 segundos. (Apagada durante 0.5 segundos) 	
	Durante la carga	Iluminación	Iluminación permanente 	
	Carga completa	Parpadeo	Se encenderá durante 0.5 segundos. No se encenderá durante 0.5 segundos. (Apagada durante 0.5 segundos) 	
	Espera por recalentamiento	Parpadeo	Se encenderá durante 1 segundo. No se encenderá durante 0.5 segundos. (Apagada durante 0.5 segundos) 	Batería recalentada. No puede cargarse (la carga comenzará cuando la batería se enfríe).
	Carga imposible	Destello	Se encenderá durante 0.1 segundos. No se encenderá durante 0.1 segundos. (Apagada durante 0.1 segundos) 	Mal funcionamiento de la batería o del cargador

- Temperatura de las baterías

La temperatura de las baterías se muestra en la tabla siguiente, y las baterías que se hayan calentado deberán dejarse enfriar durante cierto tiempo antes de cargarlas.

Table 3

Temperatura con la que podrá cargarse la batería
32°F-122°F (0°C-50°C)

○ Tiempo de carga

En la Tabla 4 se muestra el tiempo de recarga requerido de acuerdo con el tipo de batería.

Table 4 Recharging time (approx. min.) at 20°C

Capacidad de la batería	BATERÍA de ion de litio			
	Tensión de la batería			
	14.4 V		18 V	
1.3 Ah	—	—	BSL1815S	35 min.
1.5 Ah	BSL1415 BSL1415X	40 min.	BSL1815 BSL1815X	40 min.
2.0 Ah	—	—	BSL1820 BSL1820M	60 min.
2.5 Ah	BSL1425	75 min.	BSL1825	75 min.
3.0 Ah	BSL1430	90 min.	BSL1830 BSL1830C	90 min.
4.0 Ah	BSL1440	120 min.	BSL1840	120 min.
5.0 Ah	BSL1450	150 min.	BSL1850 BSL36A18	150 min.
6.0 Ah	—	—	BSL1860	180 min.
8.0 Ah	—	—	BSL36B18	240 min.

NOTA: El tiempo de recarga puede variar de acuerdo con la temperatura ambiental.

4. Desconecte el cargador de baterías del tomacorriente.

 **PRECAUCIÓN:**

No desconecte el cable del tomacorriente tirando del mismo.

Cerciórese de tirar del enchufe para desconectarlo del tomacorriente a fin de evitar dañar el cable.

5. Sostenga el cargador firmemente y saque la batería.

Sujetando el cargador de baterías con una mano, extraiga la batería del mismo.

NOTA

Asegúrese de extraer la batería del cargador de baterías después del uso, y guárdela después.

Descarga eléctrica en caso de baterías nuevas, etc.

Como la sustancia química interna de las baterías nuevas o las que no se hayan utilizado durante mucho tiempo no está activada, la descarga eléctrica puede ser inferior cuando se utilicen por primera y segunda vez. Este fenómeno es temporal, y el tiempo normal requerido para la recarga se restablecerá recargando las baterías 2–3 veces.

Forma de hacer que las baterías duren más

- Recargue las baterías antes de que se hayan agotado completamente.
Si siente que la potencia de la herramienta eléctrica se debilita, deje de utilizarla y recargue su batería. Si continuase utilizando la herramienta hasta agotar la capacidad de la batería, ésta podría dañarse y su duración útil podría acortarse.
- Evite realizar la recarga a altas temperaturas
Una batería se calentará inmediatamente después de haberla utilizado. Si recargase tal batería inmediatamente después de haberla utilizado, su sustancia química interna se deterioraría, y la duración útil de la batería se acortaría. Deje la batería y recárguela después de que se haya enfriado durante cierto tiempo.

PRECAUCIÓN:

- Si utiliza continuamente el cargador de baterías, éste se calentará, lo que puede causar averías. Después de haber finalizado la carga, espere 15 minutos antes de realizar la carga siguiente.
- Si carga la batería mientras esté caliente por haber estado mucho tiempo en un lugar sometido a la luz solar directa, o por haber acabado de utilizarla, la lámpara de piloto del cargador parpadea durante 1 segundo y no se enciende durante 0.5 segundos (apagada durante 0.5 segundos).
La batería no se cargará. En tal caso, deje que la batería se enfríe antes de cargarla.
- Cuando la lámpara piloto destelle (a intervalos de 0,2 segundos), realice una comprobación y extraiga los objetos extraños de la batería del cargador. Si no hay ningún objeto extraño, es posible que la batería o el cargador funcione mal. Llévelos a un agente de servicio técnico autorizado.

ANTES DE LA UTILIZACIÓN

Compruebe el área de trabajo para cerciorarse de que esté libre de escombros y bien ordenada.

Despeje el área de personal innecesario. Cerciórese de que la iluminación y la ventilación sean adecuadas.

MANTENIMIENTO E INSPECCIÓN

PRECAUCIÓN: Extraiga la batería antes de realizar cualquier trabajo de inspección o de mantenimiento.

1. Comprobación de los tornillos
Los tornillos son peligrosos. Inspecciónelos regularmente y cerciórese de que estén bien apretados.

PRECAUCIÓN: La utilización del cargador de baterías con tornillos flojos es extremadamente peligrosa.

2. Comprobación del polvo
El polvo podrá eliminarse con un paño suave y seco o ligeramente humedecido en agua jabonosa.
No utilice lejía, cloro, gasolina, ni diluidor de pintura, porque podrían dañar el plástico.

3. Lista de repuestos

 **PRECAUCIÓN**

La reparación, modificación e inspección de las herramientas eléctricas metabo HPT deben ser realizadas por un Centro de Servicio Autorizado de metabo HPT. Esta lista de repuestos será de utilidad si es presentada junto con la herramienta al Centro de Servicio Autorizado de metabo HPT para solicitar la reparación o cualquier otro tipo de mantenimiento. En el manejo y el mantenimiento de las herramientas eléctricas, se deberán observar las normas y reglamentos vigentes en cada país.

MODIFICACIONES:

metabo HPT Power Tools introduce constantemente mejoras y modificaciones para incorporar los últimos avances tecnológicos. Por consiguiente, algunas partes (por ejemplo, números de códigos y/o diseño) pueden ser modificadas sin previo aviso.

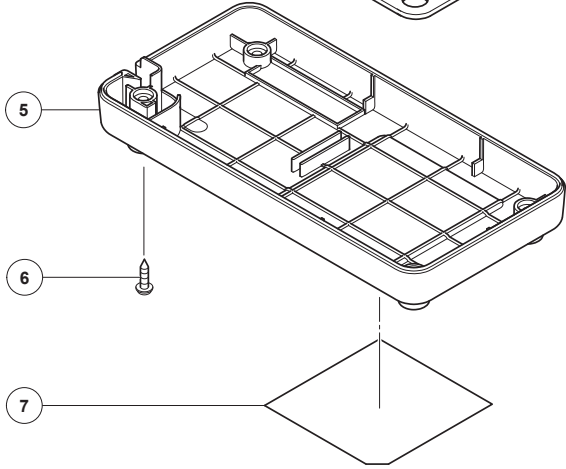
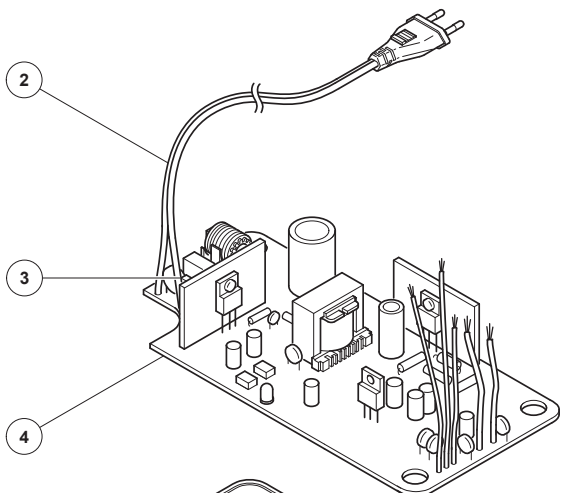
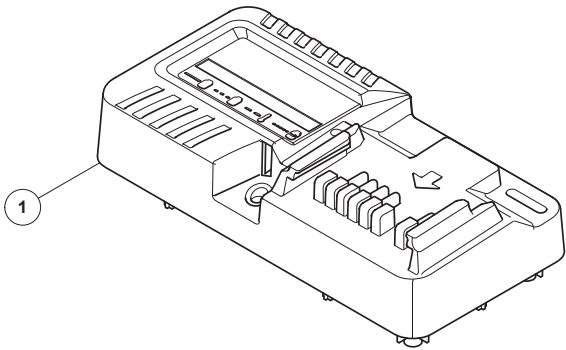
ALMACENAMIENTO

Guarde la herramienta en un lugar con menos de 104°F (40°C) y fuera del alcance de niños.

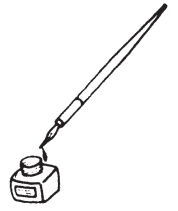
SERVICIO Y REPARACIONES

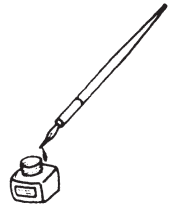
Todas las herramientas eléctricas de calidad requieren de vez en cuando el servicio de mantenimiento o el reemplazo de piezas debido al desgaste producido durante la utilización normal. Para asegurarse de que solamente se utilicen piezas de reemplazo autorizadas, todos los servicios de mantenimiento y reparación deberán realizarse SOLAMENTE EN UN CENTRO DE REPARACIONES AUTORIZADO POR metabo HPT.

NOTA: Las especificaciones están sujetas a cambio sin ninguna obligación por parte de metabo HPT.



Item No.	Part Name	Q'TY
1	CASE (A)	1
2	CODE	1
3	FUSE (3.15A)	1
4	PRINTED CIRCUIT BOARD ASS'Y (INCLUD.3)	1
5	CASE (B)	1
6	TAPPING SCREW (W/FLANGE) D3X18	4
7	NAME PLATE	1







Please contact Koki Holdings America Ltd. at 1-800-59-TOOLS (toll free), or metabo HPT AUTHORIZED POWER TOOL SERVICE CENTER regarding COLLECTION.



Pour le RAMASSAGE, contacter Koki Holdings America Ltd. au 1-800-59-TOOLS (appel gratuit), ou UN SERVICE APRÈS-VENTE D'OUTILS ÉLECTRIQUE AGRÉÉ PAR metabo HPT.



Con respecto a la RECOLECCIÓN de baterías, póngase en contacto con Koki Holdings America Ltd. número 1-800-59-TOOLS (llamada gratis), o con metabo HPT AUTHORIZED POWER TOOL SERVICE CENTER.

Issued by

Koki Holdings Co., Ltd.

Shinagawa Intercity Tower A, 15-1, Konan 2-chome,
Minato-ku, Tokyo 108-6020, Japan

Distributed by

Koki Holdings America Ltd.

1111 Broadway Ave,
Braselton, Georgia, 30517

Koki Holdings America Ltd. Canadian Branch

3405 American Drive, Units 9-10,
Mississauga, ON, L4V 1T6