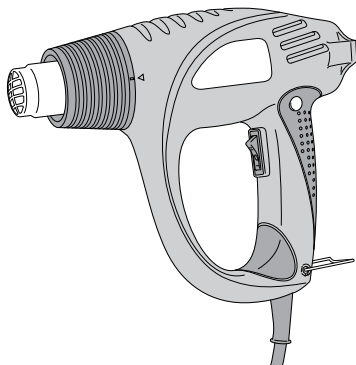


Heat Gun
Heißluft Gebläse
Θερμοπίστολο
Opalarka
Hőlégfúvó

Horkovzdušná pistole
Isı Tabancası
Pistol cu aer cald
Fen za vroč zrak
Teplovzdušná pištol'

RH 600T

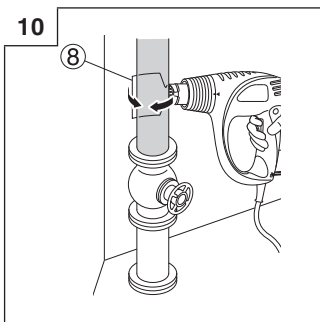
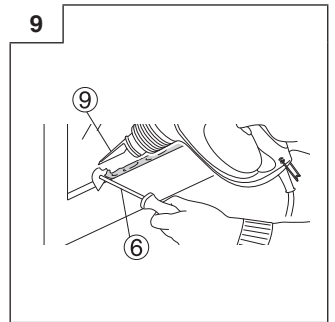
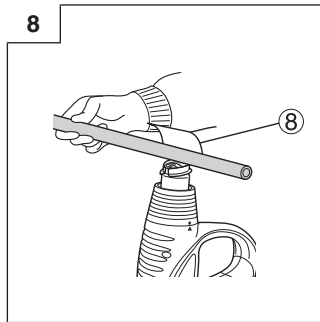
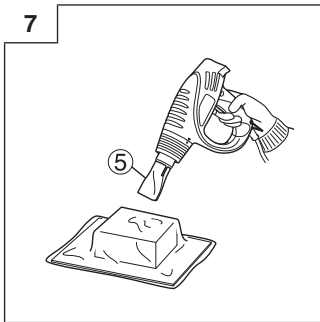
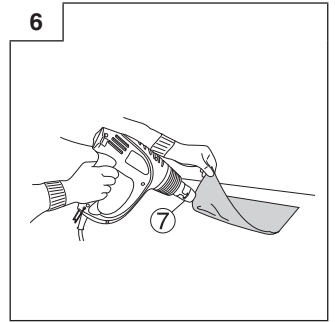
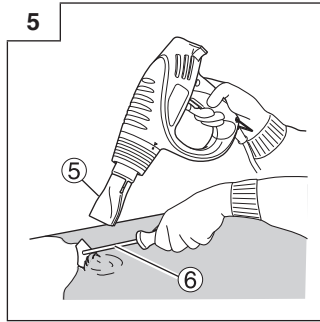
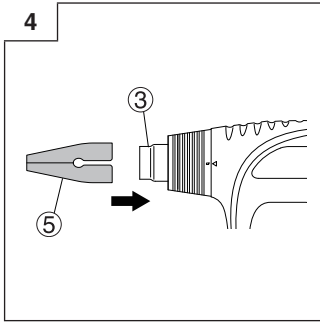
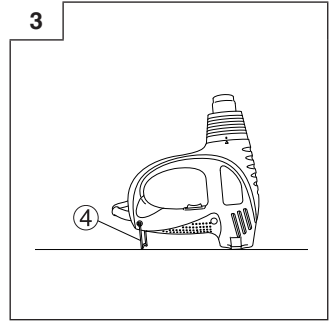
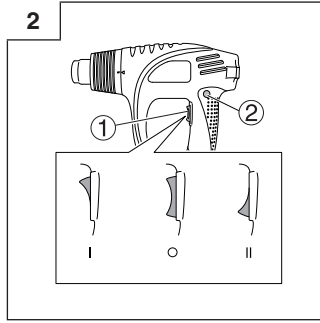
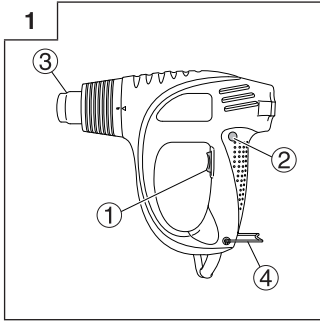


Read through carefully and understand these instructions before use.
Diese Anleitung vor Benutzung des Werkzeugs sorgfältig durchlesen und verstehen.
Διαβάστε προσεκτικά και κατανοήστε αυτές τις οδηγίες πριν τη χρήση.
Przed użytkowaniem należy dokładnie przeczytać niniejszą instrukcję i zrozumieć jej treść.
Használat előtt olvassa el figyelmesen a használati utasítást.
Před použitím si pečlivě přečtete tento návod a ujistěte se, že mu dobře rozumíte.
Aleti kullanmadan önce bu kılavuza iyice okuyun ve talimatları anlayın.
Înainte de utilizare, citiți cu atenție și înțelegeți prezentele instrucțiuni.
Pred uporabo natančno preberite in razumite ta navodila.
Pred použitím si dôkladne tieto pokyny prečítajte a pochopte ich.



Handling instructions
Bedienungsanleitung
Οδηγίες χειρισμού
Instrukcja obsługi
Kezelési utasítás





Návod k obsluze
Kullanım talimatları
Instrucțiuni de utilizare
Navodila za rokovanje
Pokyny na manipuláciu







	English	Deutsch	Ελληνικά	Polski
①	Switch	Schalter	Διακόπτης	Przełącznik
②	Quick cooling button	Schnellkühlungsknopf	Κουμπί ταχείας ψύξης	Przycisk szybkiego chłodzenia
③	Hot wind release nozzle	Heißluftdüse	Ακροφύσιο απελευθέρωσης ζεστού αέρα	Dysza wydmuchu ciepłego powietrza
④	Hook	Haken	Γάντζος	Haczyk
⑤	Nozzle (Plane)	Düse (Flach)	Ακροφύσιο (Επίπεδο)	Dysza (płaska)
⑥	Scraper	Schaber	Ξύστρα	Skrobak
⑦	Nozzle (Round)	Düse (Rund)	Ακροφύσιο (στρογγυλό)	Dysza (okrągła)
⑧	Nozzle (Curved surface)	Düse (gebogene Fläche)	Ακροφύσιο (Κυρτή επιφάνεια)	Dysza (powierzchnia zakrzywiona)
⑨	Nozzle (Glass protector)	Düse (Glasschutz)	Ακροφύσιο (Γυαλί προστασίας)	Dysza (ochrona szkła)

	Magyar	Čeština	Türkçe	Română
①	Kapcsoló	Spínač	Anahtar	Comutator
②	Gyorshűtő gomb	Tlačítko rychlého ochlazení	Hızlı soğutma düğmesi	Buton de răcire rapidă
③	Forró levegő fúvóka	Tryska horkého vzduchu	Sıcak üfleme ağızlığı	Duză pentru ieșirea aerului cald
④	Kampó	Hák	Kanca	Cârlig
⑤	Fúvóka (Lapos)	Tryska (plochá)	Ağızlık (düz yüzey)	Duză (plană)
⑥	Kaparó	Škrabka	Kazıyıcı	Racletă
⑦	Fúvóka (kerek)	Tryska (kulatá)	Ağızlık (yuvarlak)	Duză (rotundă)
⑧	Fúvóka (íves felületű)	Tryska (zakřivená)	Ağızlık (kavisli yüzey)	Duză (suprafață curbată)
⑨	Fúvóka (Üvegvédő)	Tryska (s ochranou skla)	Ağızlık (cam koruyucu)	Duză (de protecție a sticlei)

	Slovenščina	Slovenčina
①	Stikalo	Spínač
②	Gumb za hitro hlajenje	Tlačidlo na rýchle chladenie
③	Šoba za izpust vročega zraka	Tryska na uvoľnenie horúceho vzduchu
④	Kljuka	Hák
⑤	Šoba (ploščata)	Tryska (rovná)
⑥	Strgalo	Škrabka
⑦	Šoba (okrogla)	Tryska (oblá)
⑧	Šoba (ukrivljena površina)	Tryska (na nerovný povrch)
⑨	Šoba (ščitnik za steklo)	Tryska (na ochranu skla)

	English	Deutsch	Ελληνικά
	Symbols ⚠ WARNING The following show symbols used for the machine. Be sure that you understand their meaning before use.	Symbole ⚠ WARNUNG Die folgenden Symbole werden für diese Maschine verwendet. Achten Sie darauf, diese vor der Verwendung zu verstehen.	Σύμβολα ⚠ ΠΡΟΣΟΧΗ Τα παρακάτω δείχνουν τα σύμβολα που χρησιμοποιούνται στο μηχάνημα. Βεβαιωθείτε ότι κατανοείτε τη σημασία τους πριν τη χρήση.
	To reduce the risk of injury, user must read instruction manual. Failure to follow the warnings and instructions may result in electric shock, fire and/or serious injury.	Der Anwender muss die Bedienungsanleitung lesen, um das Risiko einer Verletzung zu verringern. Wenn die Warnungen und Anweisungen nicht befolgt werden, kann es zu Stromschlag, Brand und/oder ernsthaften Verletzungen kommen.	Για τον περιορισμό του κινδύνου τραυματισμού, ο χρήστης πρέπει να διαβάσει το εγχειρίδιο οδηγιών χρήσης. Η μη τήρηση των προειδοποιήσεων και οδηγιών μπορεί να προκαλέσει ηλεκτροπληξία, πυρκαγιά και/ή σοβαρό τραυματισμό.
	Only for EU countries Do not dispose of electric tools together with household waste material! In observance of European Directive 2012/19/EU on waste electrical and electronic equipment and its implementation in accordance with national law, electric tools that have reached the end of their life must be collected separately and returned to an environmentally compatible recycling facility.	Nur für EU-Länder Werfen Sie Elektrowerkzeuge nicht in den Hausmüll! Gemäss Europäischer Richtlinie 2012/19/EU über Elektro- und Elektronik-Altgeräte und Umsetzung in nationales Recht müssen verbrauchte Elektrowerkzeuge getrennt gesammelt und einer umweltgerechten Wiederverwertung zugeführt werden.	Μόνο για τις χώρες της ΕΕ Μην πετάτε τα ηλεκτρικά εργαλεία στον κάδο οικιακών απορριμμάτων! Σύμφωνα με την ευρωπαϊκή οδηγία 2012/19/ΕΕ περί ηλεκτρικών και ηλεκτρονικών συσκευών και την ενσωμάτωσή της στο εθνικό δίκαιο, τα ηλεκτρικά εργαλεία πρέπει να συλλέγονται ξεχωριστά και να επιστρέφονται για ανακύκλωση με τρόπο φιλικό προς το περιβάλλον.
	Polski	Magyar	Čeština
	Symbole ⚠ OSTRZEŻENIE Następujące oznaczenia to symbole używane w instrukcji obsługi maszyny. Upewnij się, że rozumiesz ich znaczenie zanim użyjesz narzędzia.	Jelölések ⚠ FIGYELEM Az alábbiakban a géphez alkalmazott jelölések vannak felsorolva. A gép használatá elött feltétlenül ismerje meg ezeket a jelöléseket.	Symbole ⚠ UPOZORNĚNÍ Následující text obsahuje symboly, které jsou použity na zařízení. Ujistěte se, že rozumíte jejich obsahu před tím, než začnete zařízení používat.
	Aby zmniejszyć ryzyko odniesienia obrażeń, użytkownik powinien przeczytać instrukcję obsługi. Nieprzestrzeganie ostrzeżeń oraz wskazówek bezpieczeństwa może spowodować porażenie prądem elektrycznym, pożar i/lub odniesienie poważnych obrażeń.	A sérülések kockázatának csökkentése érdekében, a használatok el kell olvasnia a használati útmutatót. A figyelmeztetések és utasítások be nem tartása áramütést, tüzet és/vagy súlyos sérülést eredményezhet.	Aby se snížilo riziko zranění, uživatel si musí přečíst návod k obsluze. Nedodržení těchto varování a pokynů může mít za následek elektrický šok, požár a/nebo vážné zranění.
	Dotyczy tylko państw UE Nie wyrzucaj elektronarzędzi wraz z odpadami z gospodarstwa domowego! Zgodnie z Europejską Dyrektywą 2012/19/UE w sprawie zużytego sprzętu elektrotechnicznego i elektronicznego oraz dostosowaniem jej do prawa krajowego, zużyte elektronarzędzia należy posegregować i zutylizować w sposób przyjazny dla środowiska.	Csak EU-országok számára Az elektromos kéziszerszámokat ne dobja a háztartási szemétké! A használt villamos és elektronikai készülékekről szóló 2012/19/EU irányelv és annak a nemzeti jogba való átültetése szerint az elhasznált elektromos kéziszerszámokat külön kell gyűjteni, és környezetbarát módon újra kell hasznosítani.	Jen pro státy EU Elektrické nářadí nevyhazujte do komunálního odpadu! Podle evropské směrnice 2012/19/EU o nakládání s použitými elektrickými a elektronickými zařízeními a odpovídajících ustanovení právních předpisů jednotlivých zemí se použítá elektrická nářadí musí sbírat odděleně od ostatního odpadu a podrobit ekologicky šetrnému recyklování.

	Türkçe	Română
	<p>Simgeler ⚠ DİKKAT Aşağıda, bu alet için kullanılan simgeler gösterilmiştir. Aleti kullanmadan önce bu simgelerin ne anlama geldiğini anladığınızdan emin olun.</p>	<p>Simboluri ⚠ AVERTISMENT În cele ce urmează sunt prezentate simbolurile folosite pentru mașină. Înainte de utilizare, asigurați-vă că înțelegeți semnificația acestora.</p>
	<p>Kullanıcı yaralanma riskini azaltmak için kullanım kılavuzunu okumalıdır. Uyarılara ve talimatlara uyulmaması elektrik çarpmasına, yangına ve/veya ciddi yaralanmaya neden olabilir.</p>	<p>Pentru a reduce riscul de accidente, utilizatorul trebuie să citească manualul de utilizare. Nerespectarea avertismentelor și a instrucțiunilor poate avea ca efect producerea de șocuri electrice, incendii și/sau vătămări grave.</p>
	<p>Sadece AB ülkeleri için Elektrikli el aletlerini evdeki çöp kutusuna atmayınız! Kullanılmış elektrikli aletleri, elektrik ve elektrikli eski cihazlar hakkındaki 2012/19/AB Avrupa yönergelerine göre ve bu yönergeler ulusal hukuk kurallarına göre uyarlanarak, ayrı olarak toplanmalı ve çevre şartlarına uygun bir şekilde tekrar değerlendirilmeye gönderilmelidir.</p>	<p>Numai pentru țările membre UE Nu aruncați această sculă electrică împreună cu deșeurile menajere! În conformitate cu Directiva Europeană 2012/19/UE referitoare la deșeurile reprezentând echipamente electrice și electronice și la implementarea acesteia în conformitate cu legislațiile naționale, sculele electrice care au ajuns la finalul duratei de folosire trebuie colectate separat și duse la o unitate de reciclare compatibilă cu mediul înconjurător.</p>
	Slovenščina	Slovenčina
	<p>Simboli ⚠ OPOZORILO V nadaljevanju so prikazani simboli, uporabljeni pri stroju. Pred uporabo se prepričajte, da jih razumete.</p>	<p>Symboly ⚠ VÝSTRAHA V nasledujúcom sú zobrazené symboly, ktoré sú vyobrazené na náradí. Pred použitím náradia sa oboznámte s významom týchto symbolov.</p>
	<p>Da ne bi prišlo do poškodb, mora uporabnik prebrati navodila. Z neupoštevanjem opozoril in navodil tvegate električni udar, požar in/ali resne telesne poškodbe.</p>	<p>Aby sa znížilo riziko zranenia, musí si užívateľ prečítať návod na obsluhu. Nedodržanie výstrah a pokynov môže viesť k zasiahnutiu elektrickým prúdom, požiaru a/alebo vážnemu poraneniu osoby.</p>
	<p>Samo za države EU Električnih orodij ne zavržite skupaj z gospodinjstskimi odpadki! V skladu z evropsko direktivo 2012/19/EU o odpadni električni in elektronski opremi in izvedbi v skladu z državnimi zakoni, je treba električna orodja, ki so dosegla življenjsko dobo ločeno zbirati in vrniti v z okoljem združljivo ustanovo za recikliranje.</p>	<p>Iba pre krajiny EÚ Elektrické náradie nezneškodňujte spolu s komunálnym odpadom z domácnosti! Aby ste dodržali ustanovenia európskej smernice 2012/19/EÚ o odpadových elektrických a elektronických zariadeniach a jej implementáciu v zmysle národnej legislatívy, je potrebné elektrické zariadenie po uplynutí jeho doby životnosti separovať a doručiť na environmentálne prijateľné miesto recyklovania.</p>

GENERAL POWER TOOL SAFETY WARNINGS

WARNING

Read all safety warnings and all instructions.

Failure to follow the warnings and instructions may result in electric shock, fire and/or serious injury.

Save all warnings and instructions for future reference. The term "power tool" in the warnings refers to your mains-operated (corded) power tool or battery-operated (cordless) power tool.

1) Work area safety

- a) **Keep work area clean and well lit.**
Cluttered or dark areas invite accidents.
- b) **Do not operate power tools in explosive atmospheres, such as in the presence of flammable liquids, gases or dust.**
Power tools create sparks which may ignite the dust or fumes.
- c) **Keep children and bystanders away while operating a power tool.**
Distractions can cause you to lose control.

2) Electrical safety

- a) **Power tool plugs must match the outlet. Never modify the plug in any way. Do not use any adapter plugs with earthed (grounded) power tools.**
Unmodified plugs and matching outlets will reduce risk of electric shock.
- b) **Avoid body contact with earthed or grounded surfaces, such as pipes, radiators, ranges and refrigerators.**
There is an increased risk of electric shock if your body is earthed or grounded.
- c) **Do not expose power tools to rain or wet conditions.**
Water entering a power tool will increase the risk of electric shock.
- d) **Do not abuse the cord. Never use the cord for carrying, pulling or unplugging the power tool. Keep cord away from heat, oil, sharp edges or moving parts.**
Damaged or entangled cords increase the risk of electric shock.
- e) **When operating a power tool outdoors, use an extension cord suitable for outdoor use.**
Use of a cord suitable for outdoor use reduces the risk of electric shock.
- f) **If operating a power tool in a damp location is unavoidable, use a residual current device (RCD) protected supply.**
Use of an RCD reduces the risk of electric shock.

3) Personal safety

- a) **Stay alert, watch what you are doing and use common sense when operating a power tool. Do not use a power tool while you are tired or under the influence of drugs, alcohol or medication.**
A moment of inattention while operating power tools may result in serious personal injury.
- b) **Use personal protective equipment. Always wear eye protection.**
Protective equipment such as dust mask, non-skid safety shoes, hard hat, or hearing protection used for appropriate conditions will reduce personal injuries.

- c) **Prevent unintentional starting. Ensure the switch is in the off position before connecting to power source and/or battery pack, picking up or carrying the tool.**

Carrying power tools with your finger on the switch or energising power tools that have the switch on invites accidents.

- d) **Remove any adjusting key or wrench before turning the power tool on.**
A wrench or a key left attached to a rotating part of the power tool may result in personal injury.

- e) **Do not overreach. Keep proper footing and balance at all times.**

This enables better control of the power tool in unexpected situations.

- f) **Dress properly. Do not wear loose clothing or jewellery. Keep your hair, clothing and gloves away from moving parts.**

Loose clothes, jewellery or long hair can be caught in moving parts.

- g) **If devices are provided for the connection of dust extraction and collection facilities, ensure these are connected and properly used.**

Use of dust collection can reduce dust related hazards.

4) Power tool use and care

- a) **Do not force the power tool. Use the correct power tool for your application.**

The correct power tool will do the job better and safer at the rate for which it was designed.

- b) **Do not use the power tool if the switch does not turn it on and off.**

Any power tool that cannot be controlled with the switch is dangerous and must be repaired.

- c) **Disconnect the plug from the power source and/or the battery pack from the power tool before making any adjustments, changing accessories, or storing power tools.**

Such preventive safety measures reduce the risk of starting the power tool accidentally.

- d) **Store idle power tools out of the reach of children and do not allow persons unfamiliar with the power tool or these instructions to operate the power tool.**

Power tools are dangerous in the hands of untrained users.

- e) **Maintain power tools. Check for misalignment or binding of moving parts, breakage of parts and any other condition that may affect the power tools' operation.**

If damaged, have the power tool repaired before use.

Many accidents are caused by poorly maintained power tools.

- f) **Keep cutting tools sharp and clean.**

Properly maintained cutting tools with sharp cutting edges are less likely to bind and are easier to control.

- g) **Use the power tool, accessories and tool bits etc. in accordance with these instructions, taking into account the working conditions and the work to be performed.**

Use of the power tool for operations different from those intended could result in a hazardous situation.

5) Service

- a) **Have your power tool serviced by a qualified repair person using only identical replacement parts.**

This will ensure that the safety of the power tool is maintained.

PRECAUTION

Keep children and infirm persons away.
When not in use, tools should be stored out of reach of children and infirm persons.

HEAT GUN SAFETY WARNINGS**WARNING**

1. This tool is not intended for use by persons (including children) with reduced physical, sensory or mental capabilities, or lack of experience and knowledge, unless they have been given supervision or instruction concerning use of the tool by a person responsible for their safety.
2. Children should be supervised to ensure that they do not play with the tool.
3. A fire may arise if the tool is not used with care, therefore:
Be careful when using the tool in places where there are combustible materials.
Do not apply to the same place for a long time.
Do not use in presence of an explosive atmosphere.
Be aware that heat may be conducted to combustible materials which are out of sight.
Place on its stand after use and follow to cool before storage.
Do not leave the tool unattended when in use.
4. Do not use the tool or touch the power plug with wet hands.
Failure to observe this may result in electric shocks.
5. Always check the work area prior to use, and do not use the tool if safety cannot be guaranteed.
Failure to observe this may result in inflammable articles concealed in or behind invisible areas (cases, ceilings, floors, hollow areas) being ignited.
6. Do not stand underneath when using the tool in elevated locations.
Also, do not catch the power cord on anything, or allow it to be pulled.
Failure to observe this may result in accidents.
7. Do not point the hot wind directly at people or animals. Do not look into the nozzle. Do not use it as a hair dryer under any circumstances.
Failure to observe this may result in accidents or injury.
8. There are cases in which highly toxic gas will be emitted if used on plastic, lacquer or similar materials.
Always ensure that the work area is fully ventilated, and wear a dust-protection mask.
9. Apply heat gently while moving the Heat Gun up, down, left and right.
Aiming it constantly at a single location may result in the outbreak of smoke or fire.
10. Check the tool for damage, cracks or malformation in the event of it being accidently dropped or subject to impact.
Damage, cracks and malformation may result in injury.
11. Cease operations immediately in the event of the tool not operating properly or if abnormal noises or vibrations are noticed, and contact a HiKOKI Authorized Service Center to request inspections and repairs.
Continued use may result in injury.
12. Do not get away from the unit while it is switched on. Failure to observe this may result in accidents.
13. If during use, electricity is interrupted, (e.g. the power plug came out, the breaker fell, a blackout occurred...) and the heat gun fan has stopped, please put the switch in OFF position. If the switch is

left in ON position when power resumes, the restart of the fan may cause fire.

CAUTION

1. Parts of the nozzle supplied are sharp, so use gloves when removing them from the case and when attaching or detaching them.
2. The hot wind release nozzle, the tip of the nozzle and the material that was heated are extremely hot during and immediately after using the tool, so use gloves and avoid touching them directly.
3. Do not use inside boxes, drawers or other enclosed spaces.
Aiming it constantly at a single location may result in the outbreak of smoke or fire.

4. Make sure the nozzle is at least 5cm away from the item being heated when using the tool. Also, do not cover or otherwise block the nozzle.
Failure to observe this may result in the Heat Gun overheating, leading to malfunctions.
5. Do not switch the tool on and off repeatedly. Also, do not use the tool with the power cord folded or twisted.
Failure to observe this may result in malfunctions.
6. Do not point the heat-wind release nozzle downwards immediately after use.
Failure to observe this may result in the tool overheating, leading to malfunctions.

SPECIFICATIONS

Power supply	Type	Can be used with both 50 Hz and 60 Hz single-phase current.		
	Voltage	110 V	120 V to 127 V	220 V to 240 V
	Rated electrical current	12.9 A	12.2 A	8.8 A
Power Input		1375 W	1500 W	2000 W
Capacity	Wind volume	0.25 m ³ /min to 0.5 m ³ /min (2-stage switch)		
	Wind temperature	250 – 500°C 2-stage switch 50°C (When the cooling button is used.)	350 – 500°C 2-stage switch 50°C (When the cooling button is used.)	450 – 600°C 2-stage switch 50°C (When the cooling button is used.)
Motor type		Direct current motor		
Weight		0.57 Kg		

STANDARD ACCESSORIES

- ① Nozzle (round)..... 1
- ② Nozzle (flat)1
- ③ Nozzle (curved surface)1
- ④ Nozzle (glass protector)1
- ⑤ Scraper (with grip)1
- ⑥ Case1

Standard accessories are subject to change without notice.

APPLICATIONS

- Peeling off paint
- Softening adhesive
- Removing putty from window frames
- Forming resin pipes
- Welding plastic
- Heat wrapping using heat-shrink film.
- Soldering
- Drying work
- Defrosting work

PRIOR TO OPERATION

1. **Power source**
Ensure that the power source to be utilized conforms to the power requirements specified on the product nameplate.
2. **Power switch**
Ensure that the power switch is in the OFF position. If the plug is connected to a receptacle while the power switch is in the ON position, the power tool will start operating immediately, which could cause a serious accident.
3. **Extension cord**
When the work area is removed from the power source, use an extension cord of sufficient thickness and rated capacity. The extension cord should be kept as short as practicable.

BASIC FUNCTIONS

1. Switch Operations and Temperature Adjustments (Fig. 1, 2)

Press the switch upward or downward to enable continual operations even when your finger is removed. Press the protrusion lightly to return the switch to the central position and turn off the power.

The wind temperature and wind volume can be adjusted in two stages depending on which way the switch is set.

Switch [I] position:

- 110 V: 250°C (wind volume 0.25 m³)
- 120 V to 127 V: 350°C (wind volume 0.25 m³)
- 220 V to 240 V: 350°C (wind volume 0.25 m³)

Switch [II] position:

- 110 V to 127 V: 500°C (wind volume 0.5 m³)
- 220 V to 240 V: 600°C (wind volume 0.5 m³)

Press the quick cooling button and press the switch to blow warm air at approximately 50 degrees Celsius for each of the switch's wind volumes.

This is used to quickly cool material that is heat-warping and to cool the nozzle when it reaches high temperatures after using the tool.

2. Using the Hook (Fig. 3)

CAUTION

- When pointing the tool upward to work, make sure that it is placed on a stable block that does not tilt.
- Do not hang the tool from your wrist or waist when moving around with the nozzle still hot.

Support the tool firmly when pointing the heat-wind release nozzle upward.

Also, it is possible to suspend the tool from a wrist, etc., with a cord to prevent it from being dropped when working in high locations, etc.

3. Attaching the Nozzle (Fig. 4)

CAUTION

The nozzle is extremely hot immediately after use, so do not touch it.

NOTE

Make sure you do not drop the nozzle.

Replace the nozzle for a type that is suited to the job in hand. Insert the nozzle supplied firmly into the hot wind release nozzle until it can go no further.

4. Temperature Settings

WARNING

- Do not use the tool in the vicinity of volatile substances (thinner, gasoline, etc.)
 - Do not bring the hot wind release nozzle in close contact with your hands or face during use.
- The nozzle is extremely hot immediately after use, so do not touch it.

Set the temperature in consideration of the article to be heated.

Also, pay attention to the surrounding material that will be heated at the same time.

First of all, apply the hot wind from a distance while checking that there are no changes in the article being heated, and then move it closer until it reaches an appropriate distance.

Heating non-flammable substances

(metal, stone, concrete, etc.)

Set the switch to the [I] position, and if there are no problems, move it to the [II] position.

Apply the heat with the nozzle at least 5cm away from the article being heated.

Holding the nozzle too close may result in the tool overheating, leading to malfunctions.

WORK EXAMPLE

CAUTION

Parts of the nozzles supplied are sharp, so use gloves when removing them from the case and when attaching or detaching them.

Select the nozzle in consideration of the shape of the article being heated and the area being heated.

1. Peeling off paint (Fig. 5)

Use nozzle (flat) or nozzle (round) to soften the paint with the hot wind, and then remove it with the scraper supplied.

Note that heating the paint too much may result in it scorching and becoming harder, making it difficult to scrape off.

2. Softening adhesive (Fig. 6)

Use nozzle (flat) or nozzle (round) to soften the surface and make it easy to peel, and then pull up one of the edges, blow heat underneath it and gently peel it off so that none of the adhesive remains.

3. Heat wrapping (Fig. 7)

Use nozzle (flat) to heat-wrap shrink film and tubes. The material will change color or crack if hot air is blown onto it from a close distance, so maintain an appropriate distance while monitoring progress.

4. Forming resin pipes (Fig. 8)

Use nozzle (curved surface) to evenly heat the circumference of the resin pipe.

To prevent the inside of the pipe from narrowing when bending it, etc., pour sand inside, block both ends and then gently bend it.

5. Removing putty from window frames (Fig. 9)

Use nozzle (glass protector) to soften the putty with heat, and then remove the putty with the scraper supplied.

Note that glass may crack if heat is continually applied to it.

6. Defrosting water pipes (Fig. 10)

Use nozzle (curved surface) to heat the frozen area from the edge to the center. Do not mistake water pipes for glass pipes.

Take care to avoid damaging frozen resin areas on water pipes.

[Effectively Using the Quick Cooling Button]

Press the quick cooling button and press the switch to blow warm air at approximately 50 degrees Celsius for each of the switch's wind volumes.

This is used to quickly cool material that is heat-warping and to cool the nozzle when it reaches high temperatures after using the Heat Gun.

Heating inflammable substances

(paper, wood, plastic, etc.)

Set the switch to the [I] position and apply the heat with the nozzle at least 10cm away from the article being heated.

Gently move the tip of the nozzle up, down, left and right to apply the heat.

Applying heat constantly to one location may result in malformation or the outbreak of smoke.

MAINTENANCE AND INSPECTION

1. Inspecting the mounting screws

Regularly inspect all mounting screws and ensure that they are properly tightened. Should any of the screws be loose, retighten them immediately. Failure to do so could result in serious hazard.

2. Maintenance of the motor

The motor unit winding is the very "heart" of the power tool.

Prevent any foreign objects, oil or water from getting inside the intake.

3. Replacing supply cord

If the replacement of the supply cord is necessary, this has to be done by HiKOKI Authorized Service Center in order to avoid a safety hazard.

4. Cleaning of the outside

When the tool is stained, wipe with a soft dry cloth or a cloth moistened with soapy water. Do not use chloric solvents, gasoline or paint thinner, as they melt plastics.

5. HiKOKI Authorized Service Center:

See <https://hikoki-powertools.eu> for addresses.

CAUTION

In the operation and maintenance of power tools, the safety regulations and standards prescribed in each country must be observed.

GUARANTEE

We guarantee HiKOKI Power Tools in accordance with statutory/country specific regulation. This guarantee does not cover defects or damage due to misuse, abuse, or normal wear and tear. In case of complaint, please send the Power Tool, undismantled, with the GUARANTEE CERTIFICATE found at the end of this Handling instruction, to a HiKOKI Authorized Service Center.

NOTE

Due to HiKOKI's continuing program of research and development, the specifications herein are subject to change without prior notice.

ALLGEMEINE SICHERHEITSHINWEISE FÜR ELEKTROGERÄTE

⚠ WARNUNG

Lesen Sie sämtliche Sicherheitshinweise und Anweisungen durch.

Wenn die Warnungen und Anweisungen nicht befolgt werden, kann es zu Stromschlag, Brand und/oder ernsthaften Verletzungen kommen.

Bitte bewahren Sie alle Warnhinweise und Anweisungen zum späteren Nachschlagen auf.

Der Begriff „Elektrowerkzeug“ bezieht sich in den Warnhinweisen auf Elektrowerkzeuge mit Netz- (schnurgebunden) oder Akkubetrieb (schnurlos).

1) Sicherheit im Arbeitsbereich

- a) Sorgen Sie für einen sauberen und gut ausgeleuchteten Arbeitsbereich.

Zugestellte oder dunkle Bereiche ziehen Unfälle förmlich an.

- b) Verwenden Sie Elektrowerkzeuge niemals an Orten, an denen Explosionsgefahr besteht – zum Beispiel in der Nähe von leicht entflammaren Flüssigkeiten, Gasen oder Stäuben.

Bei der Arbeit mit Elektrowerkzeugen kann es zu Funkenbildung kommen, wodurch sich Stäube oder Dämpfe entzünden können.

- c) Sorgen Sie bei der Arbeit mit Elektrowerkzeugen dafür, dass sich keine Zuschauer (insbesondere Kinder) in der Nähe befinden.

Wenn Sie abgelenkt werden, können Sie die Kontrolle über das Werkzeug verlieren.

2) Elektrische Sicherheit

- a) Elektrowerkzeuge müssen mit passender Stromversorgung betrieben werden.

Nehmen Sie niemals irgendwelche Änderungen am Anschlussstecker vor.

Verwenden Sie bei Elektrowerkzeugen mit Schutzkontakt (geerdet) niemals Adapterstecker.

Stecker im Originalzustand und passende Steckdosen reduzieren das Stromschlagrisiko.

- b) Vermeiden Sie Körperkontakt mit geerdeten Gegenständen wie Rohrleitungen, Heizungen, Herden oder Kühlschränken.

Bei Körperkontakt mit geerdeten Gegenständen besteht ein erhöhtes Stromschlagrisiko.

- c) Setzen Sie Elektrowerkzeuge niemals Regen oder sonstiger Feuchtigkeit aus.

Wenn Flüssigkeiten in ein Elektrowerkzeug eindringen, erhöht sich das Stromschlagrisiko.

- d) Verwenden Sie das Anschlusskabel nicht missbräuchlich. Tragen Sie das Elektrowerkzeug niemals an der Anschlusschnur, ziehen Sie es nicht damit heran und ziehen Sie den Stecker nicht an der Anschlusschnur aus der Steckdose.

Halten Sie die Anschlusschnur von Hitzequellen, Öl, scharfen Kanten und beweglichen Teilen fern.
Beschädigte oder verdrehte Anschlusschnüre erhöhen das Stromschlagrisiko.

- e) Wenn Sie ein Elektrowerkzeug im Freien benutzen, verwenden Sie ein für den Außeneinsatz geeignetes Verlängerungskabel.

Ein für den Außeneinsatz geeignetes Kabel vermindert das Stromschlagrisiko.

- f) Falls sich der Betrieb des Elektrowerkzeuges in feuchter Umgebung nicht vermeiden lässt, verwenden Sie eine Stromversorgung mit Fehlerstromschutzeinrichtung (Residual Current Device, RCD).

Durch den Einsatz einer Fehlerstromschutzeinrichtung wird das Risiko eines elektrischen Schlages reduziert.

3) Persönliche Sicherheit

- a) Bleiben Sie wachsam, achten Sie auf das, was Sie tun, und setzen Sie Ihren Verstand ein, wenn Sie mit Elektrowerkzeugen arbeiten.

Benutzen Sie keine Elektrowerkzeuge, wenn Sie müde sind oder unter Einfluss von Drogen, Alkohol oder Medikamenten stehen.

Bei der Arbeit mit Elektrowerkzeugen können bereits kurze Phasen der Unaufmerksamkeit zu schweren Verletzungen führen.

- b) Benutzen Sie eine persönliche Schutzausrüstung. Tragen Sie immer einen Augenschutz.

Schutzausrüstung wie Staubmaske, rutschsichere Sicherheitsschuhe, Schutzhelm und Gehörschutz senken das Verletzungsrisiko bei angemessenem Einsatz.

- c) Vermeiden Sie unbeabsichtigtes Einschalten. Achten Sie darauf, dass sich der Schalter in der Aus- (Off-) Position befindet, ehe Sie das Gerät mit der Stromversorgung und/oder Batteriestromversorgung verbinden, es aufheben oder herumtragen.

Das Herumtragen von Elektrowerkzeugen mit dem Finger am Schalter oder das Herstellen der Stromversorgung bei betätigtem Schalter zieht Unfälle regelrecht an.

- d) Entfernen Sie sämtliche Einstellwerkzeuge (Einstellschlüssel), ehe Sie das Elektrowerkzeug einschalten.

Ein an einem beweglichen Teil des Elektrowerkzeugs angebrachter Schlüssel kann zu Verletzungen führen.

- e) Sorgen Sie für einen festen Stand. Achten Sie jederzeit darauf, sicher zu stehen und das Gleichgewicht zu bewahren.

Dadurch haben Sie das Elektrowerkzeug in unerwarteten Situationen besser im Griff.

- f) Kleiden Sie sich richtig. Tragen Sie keine lose Kleidung oder Schmuck. Halten Sie Haar, Kleidung und Handschuhe von beweglichen Teilen fern.

Lose Kleidung, Schmuck oder langes Haar kann von beweglichen Teilen erfasst werden.

- g) Wenn Anschlüsse für Staubabsaug- und -sammelvorrichtungen vorhanden sind, sorgen Sie dafür, dass diese richtig angeschlossen und eingesetzt werden.

Durch Entfernen des Staubes können staubbezogene Gefahren vermindert werden.

- 4) Einsatz und Pflege von Elektrowerkzeugen

- a) Übersprechen Sie Elektrowerkzeuge nicht. Benutzen Sie das richtige Elektrowerkzeug für Ihren Einsatzzweck.

Das richtige Elektrowerkzeug erledigt seine Arbeit bei bestimmungsgemäßem Einsatz besser und sicherer.

- b) Benutzen Sie das Elektrowerkzeug nicht, wenn es sich nicht am Schalter ein- und ausschalten lässt. Jedes Elektrowerkzeug, das nicht mit dem Schalter betätigt werden kann, stellt eine Gefahr dar und muss repariert werden.

- c) **Stecken Sie den Stecker der Stromversorgung oder Batteriestromversorgung vom Gerät ab, ehe Sie Einstellarbeiten vornehmen, Zubehörteile tauschen oder das Elektrowerkzeug verstauen.** *Solche präventiven Sicherheitsmaßnahmen verhindern den unbeabsichtigten Anlauf des Elektrowerkzeugs und die damit verbundenen Gefahren.*
- d) **Lagern Sie nicht benutzte Elektrowerkzeuge außerhalb der Reichweite von Kindern, lassen Sie nicht zu, dass Personen das Elektrowerkzeug bedienen, die nicht mit dem Werkzeug selbst und/oder diesen Anweisungen vertraut sind.** *Elektrowerkzeuge in ungeschulten Händen sind gefährlich.*
- e) **Halten Sie Elektrowerkzeuge in Stand. Prüfen Sie auf Fehlausrichtungen, sicheren Halt und Leichtgängigkeit beweglicher Teile, Beschädigungen von Teilen und auf jegliche andere Zustände, die sich auf den Betrieb des Elektrowerkzeugs auswirken können.** *Bei Beschädigungen lassen Sie das Elektrowerkzeug reparieren, ehe Sie es benutzen. Viele Unfälle mit Elektrowerkzeugen sind auf schlechte Wartung zurückzuführen.*
- f) **Halten Sie Schneidwerkzeuge scharf und sauber.** *Richtig gewartete Schneidwerkzeuge mit scharfen Schneidkanten bleiben weniger häufig hängen und sind einfacher zu beherrschen.*
- g) **Benutzen Sie Elektrowerkzeuge, Zubehör, Werkzeugspitzen und Ähnliches in Übereinstimmung mit diesen Anweisungen – beachten Sie dabei die jeweiligen Arbeitsbedingungen und die Art und Weise der auszuführenden Arbeiten.** *Der Gebrauch des Elektrowerkzeuges für andere als die vorgesehenen Anwendungen kann zu gefährlichen Situationen führen.*
- 5) **Service**
- a) **Lassen Sie Elektrowerkzeuge durch qualifizierte Fachkräfte und unter Einsatz passender, zugelassener Originalteile warten.** *Dies sorgt dafür, dass die Sicherheit des Elektrowerkzeugs nicht beeinträchtigt wird.*

VORSICHT

Von Kindern und gebrechlichen Personen fernhalten. Werkzeuge sollten bei Nichtgebrauch außerhalb der Reichweite von Kindern und gebrechlichen Personen aufbewahrt werden.

HEISSLUFTGEBLÄSE SICHERHEITSWARNHINWEISE

WARNUNG

1. Dieses Werkzeug ist nicht zur Benutzung durch Personen (einschließlich von Kindern) mit verminderten körperlichen, Sinnes- oder Geistesfähigkeiten oder mit mangelnder Erfahrung und Wissen gedacht, außer sie werden beaufsichtigt und haben Anleitung zum Gebrauch des

- Werkzeugs von einer Person erhalten, die für ihre Sicherheit verantwortlich ist.
2. Kinder sollten beaufsichtigt werden, damit sie nicht mit dem Werkzeug spielen.
 3. Wenn das Werkzeug nicht vorsichtig gebraucht wird, kann es zu einem Brand kommen:
Seien Sie daher bei der Benutzung des Werkzeugs an Orten, wo es brennbare Stoffe gibt, vorsichtig.
Halten Sie es nicht über längere Zeit auf ein und dieselbe Stelle.
Benutzen Sie es nicht in einer explosionsgefährlichen Atmosphäre.
Seien Sie sich dessen bewusst, dass die Hitze zu brennbaren Stoffen geleitet werden kann, die außer Sicht sind.
Stellen Sie das Werkzeug auf seinem Ständer ab und lassen Sie es auskühlen, bevor Sie es verstauen.
Lassen Sie das Werkzeug, wenn es in Gebrauch ist, nicht unbeaufsichtigt.
 4. Benutzen Sie das Werkzeug nicht mit nassen Händen und berühren Sie damit nicht den Netzstecker.
Wird das nicht beachtet, kann es zu Stromschlägen führen.
 5. Überprüfen Sie den Arbeitsbereich vor Verwendung des Gerätes und benutzen Sie das Werkzeug nicht, wenn die Sicherheit nicht gewährleistet werden kann.
Wird das nicht beachtet, können sich entzündbare Gegenstände, die in oder hinter unsichtbaren Bereichen (Schränken, Decken, Böden, Hohlstellen) sind, entzünden.
 6. Stehen Sie bei Benutzung des Werkzeugs an hochgelegenen Stellen nicht direkt unterhalb.

- Achten Sie auch darauf, dass sich das Stromkabel nicht irgendwo verfängt, oder dass daran gezogen wird. Wird das nicht beachtet, kann es zu Unfällen führen.
7. Richten Sie die Heißluft nicht direkt auf Menschen oder Tiere. Nicht in die Düse blicken. Benutzen Sie das Gerät auf keinen Fall als Föhn.
Wird das nicht beachtet, kann es zu Unfällen oder Verletzungen führen.
 8. Es gibt Fälle, in denen hochgiftiges Gas freigesetzt wird, wenn das Gerät auf Kunststoff, Lack, oder ähnlichen Stoffen benutzt wird.
Stellen Sie immer sicher, dass der Arbeitsbereich gut belüftet ist, und tragen Sie eine Staubschutzmaske.
 9. Wenden Sie die Hitze behutsam an, indem Sie das Heißluftgebläse nach oben, unten, links und rechts bewegen. Wird beständig auf eine einzige Stelle gezielt, kann das zu Rauchentwicklung oder einem Brand führen.
 10. Falls es versehentlich zu Boden fallen gelassen wurde, oder Stößen ausgesetzt war, überprüfen Sie das Werkzeug auf Schäden, Risse und Verformung.
Schäden, Risse und Verformung können zu Verletzungen führen.
 11. Falls das Heißluftgebläse nicht ordnungsgemäß funktioniert, oder Sie anormale Geräusche oder Vibrationen bemerken, stellen Sie die Arbeit sofort ein und wenden Sie sich an einem einer von HiKOKI autorisierten Service-Werkstatt für Elektrogeräte, um eine Inspektion und Reparaturen zu verlangen.
Eine Weiterbenutzung kann zu Verletzungen führen.
 12. Entfernen Sie sich nicht vom Gerät, wenn es eingeschaltet ist. Wenn dies nicht beachtet wird, kann es zu Unfällen kommen.
 13. Falls während des Gebrauchs der Strom ausfallen sollte (z.B. der Stecker aus der Steckdose gezogen wurde, eine Sicherung durchbrannte, oder ein Stromausfall eingetreten ist) und das Heißluftgebläse gestoppt wurde, stellen Sie bitte den Schalter auf OFF. Wird der Schalter auf ON gelassen, kann das Wiedereinschalten des Gebläses, sobald der Strom wieder da ist, einem Brand verursachen.
- VORSICHT**
1. Teile der mitgelieferten Düse sind scharf. Benutzen Sie daher Handschuhe, wenn Sie diese aus dem Gehäuse nehmen und beim Anbringen bzw. Abmontieren.
 2. Die Heißluftdüse, die Düsenspitze und das Material, das erhitzt wurde, sind während und unmittelbar nach Gebrauch des Werkzeugs extrem heiß. Benutzen Sie also Handschuhe und vermeiden Sie, sie direkt zu berühren.
 3. Blasen Sie nicht in das Innere von Schachteln, Schubladen oder andere umschlossene Flächen.
Wird beständig auf eine einzige Stelle gezielt, kann das zu Rauchentwicklung oder einem Brand führen.
 4. Achten Sie darauf, bei Gebrauch des Werkzeugs die Düse in einem Abstand von mindestens 5 cm von dem Gegenstand zu halten, der erhitzt wird. Decken Sie auch die Düse nicht ab oder blockieren Sie sie nicht anderweitig.
Wird dies nicht beachtet, kann es zu einer Überhitzung des Heißluftgebläses und zu Fehlfunktionen führen.

5. Schalten Sie das Werkzeug nicht wiederholt ein und aus. Benutzen Sie das Werkzeug auch nicht mit gefaltetem oder verdrehtem Stromkabel. Wird das nicht beachtet, kann es zu Fehlfunktionen führen.

6. Richten Sie die Heißluftdüse nicht unmittelbar nach Gebrauch nach unten. Wird dies nicht beachtet, kann es zu einer Überhitzung des Werkzeugs und zu Fehlfunktionen führen.

TECHNISCHE DATEN

Stromversorgung	Typ	Kann mit einphasigem Strom zu 50 Hz und zu 60 Hz benutzt werden.		
	Spannung	110 V	120 V bis 127 V	220 V bis 240 V
	Nennstromstärke	12,9 A	12,2 A	8,8 A
Leistungsaufnahme		1375 W	1500 W	2000 W
Kapazität	Heißluftvolumen	0,25 m ³ / Min bis 0,5 m ³ / Min (2-stufiger Schalter)		
	Heißlufttemperatur	250 – 500°C 2-stufiger Schalter 50°C (Bei Benutzung des Kühlungsknopfs.)	350 – 500°C 2-stufiger Schalter 50°C (Bei Benutzung des Kühlungsknopfs.)	450 – 600°C 2-stufiger Schalter 50°C (Bei Benutzung des Kühlungsknopfs.)
Motortyp		Gleichstrommotor		
Gewicht		0,57 Kg		

STANDARDZUBEHÖR

- ① Düse (rund).....1
- ② Düse (flach)1
- ③ Düse (gebogene Fläche)1
- ④ Düse (Glasschutz).....1
- ⑤ Schaber (mit Griff).....1
- ⑥ Koffer1

Das Standardzubehör kann ohne vorherige Bekanntmachung jederzeit geändert werden.

VERWENDUNG

- Ablösen von Farbe
- Aufweichen von Klebstoff
- Entfernen von Kitt von Fensterrahmen
- Formen von Harzrohren
- Verschweißen von Kunststoff
- Verpackung mit Heißschumpffolie
- Löten
- Austrocknungsarbeiten
- Entfrostern

VOR INBETRIEBNAHME

1. Stromquelle

Stellen Sie sicher, dass die Stromquelle, die verwendet werden soll, den Anforderungen entspricht, die auf der Gerätplakette des Produktes angegeben sind.

2. Einschaltknopf

Vergewissern Sie sich, dass der Einschaltknopf auf AUS gestellt ist.

Wenn der Stecker in eine Steckdose gesteckt wird, während der Einschaltknopf auf EIN ist, beginnt das Elektrowerkzeug sofort zu arbeiten, was zu schweren Unfällen führen könnte.

3. Verlängerungskabel

Wenn der Arbeitsbereich zu weit von der Stromquelle entfernt ist, benutzen Sie ein Verlängerungskabel von ausreichender Stärke und Nennkapazität. Das Verlängerungskabel sollte so kurz wie möglich gehalten werden.

GRUNDFUNKTIONEN

1. Schalterfunktionen und Temperatureinstellungen (Abb. 1, 2)

Drücken Sie den Schalter nach oben oder unten, um einen Dauerbetrieb zu ermöglichen, auch wenn Sie ihren Finger entfernen.

Drücken Sie leicht auf den Vorsprung, um den Schalter wieder in mittlere Position zu bringen, und schalten Sie dann den Strom ab.

Temperatur und Volumen der Heißluft können in zwei Stufen eingestellt werden, je nachdem, wie der Schalter gestellt wird.

Schalterstellung [I]:

- 110 V: 250°C (Heißluftvolumen 0,25 m³)
- 120 V bis 127 V: 350°C (Heißluftvolumen 0,25 m³)
- 220 V bis 240 V: 350°C (Heißluftvolumen 0,25 m³)

Schalterstellung [II]:

- 110 V bis 127 V: 500°C (Heißluftvolumen 0,5 m³)
- 220 V bis 240 V: 600°C (Heißluftvolumen 0,5 m³)

Drücken Sie den Schnellkühlungsknopf und drücken Sie den Schalter, um Warmluft mit ungefähr 50 Grad Celsius für jedes Heißluftvolumen des Schalters abzugeben.

Das wird benutzt, um Material rasch zu kühlen, das sich unter Hitze krümmt, und um die Düse abzukühlen, wenn sie nach Gebrauch des Heißluftgebläses hohe Temperaturen erreicht.

2. Benutzung des Hakens (Abb. 3)**VORSICHT**

- Wenn das Werkzeug bei der Arbeit nach oben gerichtet wird, müssen Sie darauf achten, es auf einen stabilen Block zu stellen, der nicht kippt.
- Hängen Sie das Werkzeug beim Tragen nicht an Ihr Handgelenk oder Ihre Hüfte, wenn die Düse ist noch heiß ist.

Stützen Sie das Werkzeug fest ab, wenn Sie die Düse des Heißluftgebläses nach oben richten.

Sie können das Werkzeug bei der Arbeit an hochgelegenen Stellen auch mit einer Schnur an des Handgelenk usw. hängen, um zu verhindern, dass es hinunter fällt.

3. Anbringen der Düse (Abb. 4)**VORSICHT**

Die Düse ist nach Gebrauch extrem heiß, berühren Sie sie also nicht.

HINWEIS

Achten Sie darauf, die Düse nicht fallen zu lassen.

Tauschen Sie die Düse gegen einen Typ aus, der für die anstehende Arbeit geeignet ist.

Schieben Sie die mitgelieferte Düse fest in die Heißluftöffnung bis zum Anschlag ein.

4. Temperatureinstellungen**WARNUNG**

- Benutzen Sie das Werkzeug nicht in Nähe von flüchtigen Stoffen (Verdüner, Benzin usw.)
- Bringen Sie die Heißluftdüse während des Gebrauchs nicht in enge Berührung mit Ihren Händen oder Ihrem Gesicht.
Die Düse ist nach Gebrauch extrem heiß, berühren Sie sie also nicht.

Stellen Sie die Temperatur je nach dem Gegenstand ein, der erhitzt werden soll.

Achten Sie auch auf das umgebende Material, das gleichzeitig erhitzt wird.

Wenden Sie vor allem zuerst die Heißluft aus einer Entfernung an und prüfen Sie dabei, ob es keine Veränderungen an den Gegenständen gibt, die erhitzt werden, und führen Sie sie dann näher heran, bis Sie einen geeigneten Abstand erreicht haben.

Erhitzen von entzündbaren Stoffen

(Papier, Holz, Kunststoff usw.)

Stellen Sie den Schalter auf Stellung [I] und wenden Sie die Heißluft in einem Abstand von mindestens 10 cm von dem Gegenstand an, der erhitzt wird.

Bewegen Sie die Düsenspitze behutsam nach oben, unten, links und rechts, um die Hitze anzuwenden.

Konstante Anwendung von Hitze auf nur eine Stelle kann zu Verformungen oder zu Rauchentwicklung führen.

Erhitzen von nicht entzündbaren Stoffen

(Metall, Stein, Beton usw.)

Stellen Sie den Schalter auf Stellung [I], und wenn es keine Probleme gibt, bewegen Sie ihn auf Stellung [II]. Wenden Sie die Hitze mit der Düse in einem Abstand von mindestens 5 cm vom Gegenstand an, der erhitzt wird.

Wird dies nicht beachtet, kann es zu einer Überhitzung des Werkzeugs und zu Fehlfunktionen führen.

ARBEITSBEISPIEL**VORSICHT**

Teile der mitgelieferten Düsen sind scharf. Benutzen Sie daher Handschuhe, wenn Sie diese aus dem Gehäuse nehmen und beim Anbringen bzw. Abmontieren.

Wählen Sie die Düse je nach der Form des Gegenstands und der Fläche aus, die erhitzt wird.

1. Ablösen von Farbe (Abb.5)

Benutzen Sie die flache oder die runde Düse, um die Farbe mit der Heißluft aufzuweichen, und entfernen Sie die Farbe dann mit dem mitgelieferten Schaber.

Beachten Sie, dass die Farbe, wenn Sie zu stark erhitzt wird, verschmort und härter wird, wodurch sie dann schwer abzukratzen ist.

2. Aufweichen von Klebstoff (Abb. 6)

Benutzen Sie die flache oder runde Düse zum Aufweichen der Oberfläche, damit sie leicht ablösbar wird, und ziehen Sie sie dann an einer der Kanten etwas hoch, blasen Sie dann Hitze unter sie und ziehen Sie sie behutsam ab, so dass kein Klebstoff mehr zurückbleibt.

3. Hitzeverpackung (Abb. 7)

Benutzen Sie die flache Düse, um mit Schrumpffolie zu verpacken und Rohre. Das Material wird die Farbe ändern oder Risse bekommen, wenn die Heißluft aus zu nahem Abstand geblasen wird, halten Sie also angemessenen Abstand und überwachen Sie dabei den Vorgang.

4. Formen von Harzrohren (Abb. 8)

Benutzen Sie die Düse (gebogene Fläche), um den Umfang des Harzrohres gleichmäßig zu erhitzen.

Schütten Sie Sand in das Rohr und verstopfen Sie beide Enden, um zu verhindern, dass sich das Rohrinere beim Biegen verengt und biegen Sie das Rohr dann behutsam.

5. Entfernen von Kitt von Fensterrahmen (Abb. 9)

Benutzen Sie die Düse (Glasschutz) zum Aufweichen des Kitts mit Heißluft und entfernen Sie dann den Kitt mit dem mitgelieferten Schaber.

Beachten Sie, dass Glas springen kann, wenn es ständig Hitze ausgesetzt ist.

6. Entfrostern von Wasserrohren (Abb. 10)

Benutzen Sie die Düse (gebogene Fläche), um den gefrorenen Bereich von außen zur Mitte hin zu erhitzen. Verwechseln Sie Wasserrohre nicht mit Glasrohren.

Achten Sie darauf, gefrorene Harzbereiche an Wasserrohren nicht zu beschädigen.

[Wirksame Benutzung des Schnellkühlknopfs]

Drücken Sie den Schnellkühlknopf und drücken Sie den Schalter, um Warmluft mit ungefähr 50 Grad Celsius für jedes Heißluftvolumen des Schalters abzugeben.

Das wird benutzt, um Material rasch zu kühlen, das sich unter Hitze krümmt, und um die Düse abzukühlen, wenn sie nach Gebrauch des Heißluftgebläses hohe Temperaturen erreicht.

WARTUNG UND INSPEKTION

1. Inspektion der Befestigungsschrauben

Inspizieren Sie regelmäßig alle Befestigungsschrauben und vergewissern Sie sich, dass sie ordnungsgemäß angezogen sind. Sollte eine der Schrauben locker sein, ziehen Sie diese sofort wieder fest. Wird das nicht getan, kann das zu ernsthaften Gefahrensituationen führen.

2. Wartung des Motors

Die Wicklung des Motors ist das "Herzstück" des Elektrowerkzeugs.

Verhindern Sie, dass Fremdkörper, Öl, oder Wasser in die Einlassöffnung gelangen.

3. Austauschen des Stromkabels

Wenn das Stromkabel ausgetauscht werden muss, dann muss das von der von HiKOKI autorisierten Service-Werkstatt durchgeführt werden, um Sicherheitsrisiken zu vermeiden.

4. Außenreinigung

Wenn der Rasentrimmer schmutzig ist, mit einem weichen trockenen Tuch oder einem mit Seifenwasser befeuchteten Tuch abwischen. Kein Chlörösungsmittel, Benzin oder Farblösungsmittel verwenden, da sie Kunststoffe aufweichen.

5. Autorisiertes HiKOKI-Kundendienstzentrum:

Siehe <https://hikoki-powertools.eu> für Adressen.

VORSICHT

Bei Betrieb und Wartung von Elektrowerkzeugen müssen die Sicherheitsvorschriften und Normen beachtet werden.

GARANTIE

Auf HiKOKI-Elektrowerkzeuge gewähren wir eine Garantie unter Zugrundelegung der jeweils geltenden gesetzlichen und landesspezifischen Bedingungen. Dieses Garantie erstreckt sich nicht auf Gehäusedefekte und nicht auf Schäden, die auf Missbrauch, bestimmungswidrigen Einsatz oder normalen Verschleiß zurückzuführen sind. Im Schadensfall senden Sie das nicht zerlegte Elektrowerkzeug zusammen mit dem GARANTIESCHEIN, den Sie am Ende der Bedienungsanleitung finden, an ein von HiKOKI autorisiertes Servicecenter.

HINWEIS

Aufgrund des ständigen Forschungs und Entwicklungsprogramms von HiKOKI sind Änderungen der hierin gemachten technischen Angaben vorbehalten.

ΓΕΝΙΚΕΣ ΠΡΟΕΙΔΟΠΟΙΗΣΕΙΣ ΑΣΦΑΛΕΙΑΣ ΗΛΕΚΤΡΙΚΟΥ ΕΡΓΑΛΕΙΟΥ

⚠ ΠΡΟΣΟΧΗ

Διαβάστε όλες τις προειδοποιήσεις ασφαλείας και όλες τις οδηγίες.

Η μη τήρηση των προειδοποιήσεων και οδηγιών μπορεί να προκαλέσει ηλεκτροπληξία, πυρκαγιά και/ή σοβαρό τραυματισμό.

Φυλάξτε όλες τις προειδοποιήσεις και τις οδηγίες για μελλοντική αναφορά.

Ο όρος “ηλεκτρικό εργαλείο” στις προειδοποιήσεις αναφέρεται στο ηλεκτρικό εργαλείο (με καλώδιο) που λειτουργεί στους αγωγούς ή στο ηλεκτρικό εργαλείο που λειτουργεί στη μπαταρία (χωρίς καλώδιο).

1) Ασφάλεια χώρου εργασίας

a) Διατηρείτε το χώρο εργασίας καθαρό και καλά φωτισμένο.

Σε ακατάστατες ή σκοτεινές περιοχές μπορεί να προκληθούν ατυχήματα.

b) Μην χρησιμοποιείτε τα ηλεκτρικά εργαλεία σε περιβάλλον, στο οποίο μπορεί να προκληθεί έκρηξη, όπως παρουσία εύφλεκτων υγρών, αερίων ή σκόνης.

Τα ηλεκτρικά εργαλεία δημιουργούν σπινθήρες, οι οποίοι μπορεί να αναφλέξουν τη σκόνη ή τον καπνό.

c) Κρατήστε τα παιδιά και τους παρευρισκόμενους μακριά όταν χρησιμοποιείτε ένα ηλεκτρικό εργαλείο.

Αν αποσπαστεί η προσοχή σας, υπάρχει κίνδυνος να χάσετε τον έλεγχο.

2) Ηλ άλεια

a) Τα φις των ηλεκτρικών εργαλείων πρέπει να είναι κατάλληλα για τις πρίζες. Μην τροποποιήσετε ποτέ το φις με οποιονδήποτε τρόπο.

Μη χρησιμοποιείτε φις προσαρμογής με γειωμένα ηλεκτρικά εργαλεία.

Τα μη τροποποιημένα φις και οι κατάλληλες πρίζες μειώνουν τον κίνδυνο ηλεκτροπληξίας.

b) Αποφύγετε τη σωματική επαφή με γειωμένες επιφάνειες όπως σωλήνες, θερμάστρες, μαγειρικές συσκευές και ψυγεία.

Υπάρχει αυξημένος κίνδυνος ηλεκτροπληξίας όταν το σώμα σας είναι γειωμένο.

c) Μην εκθέτετε τα ηλεκτρικά εργαλεία στη βροχή ή σε συνθήκες υγρασίας.

Το νερό που εισέρχεται σε ένα ηλεκτρικό εργαλείο αυξάνει τον κίνδυνο ηλεκτροπληξίας.

d) Μην ασκείτε δύναμη στο καλώδιο. Μη χρησιμοποιείτε ποτέ το καλώδιο για να μεταφέρετε, να τραβήξετε ή να βγάλετε από την πρίζα το ηλεκτρικό εργαλείο.

Κρατήστε το καλώδιο μακριά από θερμότητα, λάδι, κοφτερές γωνίες και κινούμενα μέρη.

Τα κατεστραμμένα ή υπερδεδεμένα καλώδια αυξάνουν τον κίνδυνο ηλεκτροπληξίας.

e) Όταν χρησιμοποιείτε το εργαλείο σε εξωτερικό χώρο, χρησιμοποιήστε καλώδιο προέκτασης που προορίζεται για χρήση σε εξωτερικό χώρο.

Η χρήση ενός καλωδίου κατάλληλου για εξωτερικό χώρο μειώνει τον κίνδυνο ηλεκτροπληξίας.

f) Αν είναι αναπόφευκτη η λειτουργία ενός ηλεκτρικού εργαλείου σε χώρο με υγρασία, χρησιμοποιείτε διάταξη προστασίας ρεύματος διαρροής (RCD).

Η χρήση της RCD μειώνει τον κίνδυνο ηλεκτροπληξίας.

3) Προσωπική ασφάλεια

a) Να είστε σε ετοιμότητα, να βλέπετε αυτό που κάνετε και να χρησιμοποιείτε την κοινή λογική όταν χρησιμοποιείτε ένα ηλεκτρικό εργαλείο.

Μη χρησιμοποιείτε ηλεκτρικά εργαλεία όταν είστε κουρασμένοι ή υπό την επήρεια ναρκωτικών ουσιών, οινοπνεύματος ή φαρμάκων.

Μια στιγμή απροσεξίας κατά τη χρήση ενός ηλεκτρικού εργαλείου μπορεί να προκαλέσει σοβαρό προσωπικό τραυματισμό.

b) Χρησιμοποιείτε προσωπικό προστατευτικό εξοπλισμό. Φοράτε πάντα προστασία για τα μάτια.

Ο προστατευτικός εξοπλισμός, όπως μάσκα για τη σκόνη, αντιολισθητικά παπούτσια, σκληρό καπέλο ή προστασία για τα αυτιά, που χρησιμοποιείται για ανάλογες συνθήκες μπορεί να μειώσει τους τραυματισμούς.

c) Προλαμβάνετε τυχόν ακούσια εκκίνηση. Βεβαιωθείτε ότι ο διακόπτης είναι σε θέση απενεργοποίησης πριν συνδέσετε τη συσκευή με πηγή ρεύματος και/ή τη θήκη της μπαταρίας, πριν σηκώσετε ή μεταφέρετε το εργαλείο.

Η μεταφορά ηλεκτρικού εργαλείου με τα δάχτυλά σας στο διακόπτη ή η ηλεκτροδότηση ηλεκτρικού εργαλείου με ενεργοποιημένο το διακόπτη μπορεί να προκαλέσουν ατυχήματα.

d) Να αφαιρείτε τυχόν κλειδιά ρυθμιζόμενου ανοίγματος ή τα απλά κλειδιά πριν θέσετε σε λειτουργία το ηλεκτρικό εργαλείο.

Ένα απλό κλειδί ή ένα κλειδί ρυθμιζόμενου ανοίγματος που είναι προσαρτημένο σε περιστρεφόμενο εξάρτημα του ηλεκτρικού εργαλείου μπορεί να προκαλέσει προσωπικό τραυματισμό.

e) Μην τεντώνεστε. Να διατηρείτε πάντοτε το κατάλληλο πάτημα και την ισορροπία σας.

Με αυτόν τον τρόπο μπορείτε να ελέγχετε καλύτερα το ηλεκτρικό εργαλείο σε μη αναμενόμενες καταστάσεις.

f) Να είστε ντυμένοι κατάλληλα. Μη φοράτε φαρδιά ρούχα ή κοσμήματα. Να κρατάτε τα μαλλιά σας, τα ρούχα σας και τα γάντια σας μακριά από κινούμενα μέρη.

Τα φαρδιά ρούχα, τα κοσμήματα και τα μακριά μαλλιά μπορεί να πιαστούν σε κινούμενα μέρη.

g) Αν παρέχονται εξαρτήματα για τη σύνδεση συσκευών εξαγωγής και συλλογής σκόνης, να βεβαιώνετε ότι είναι συνδεδεμένα και χρησιμοποιούνται με το σωστό τρόπο.

Η χρήση συλλέκτη σκόνης μειώνει τους κινδύνους που προέρχονται από τη σκόνη.

4) Χρήση και φροντίδα ηλεκτρικών εργαλείων

a) Μην ασκείτε δύναμη στο ηλεκτρικό εργαλείο. Να χρησιμοποιείτε το ηλεκτρικό εργαλείο που είναι κατάλληλο για το είδος της εργασίας που εκτελείτε.

Το κατάλληλο ηλεκτρικό εργαλείο θα εκτελέσει την εργασία καλύτερα και με μεγαλύτερη ασφάλεια με τον τρόπο που σχεδιάστηκε.

- b) Μην χρησιμοποιήσετε το ηλεκτρικό εργαλείο αν ο διακόπτης λειτουργίας δεν ανοίγει και δεν κλείνει.
Ένα ηλεκτρικό εργαλείο που δεν ελέγχεται από τον διακόπτη λειτουργίας είναι επικίνδυνο και πρέπει να επισκευαστεί.
- c) Αποσυνδέετε το βύσμα από την πηγή ισχύος και/ή τη θήκη μπαταρίας από το ηλεκτρικό εργαλείο πριν προβείτε σε ρυθμίσεις, αλλαγή εξαρτήματος ή αποθήκευση του ηλεκτρικού εργαλείου.
Αυτά τα προληπτικά μέτρα ασφαλείας μειώνουν τον κίνδυνο να ξεκινήσει το ηλεκτρικό εργαλείο κατά λάθος.
- d) Αποθηκεύετε τα εργαλεία που δεν χρησιμοποιείτε μακριά από παιδιά και μην αφήνετε τα άτομα που δεν είναι εξοικειωμένα με το ηλεκτρικό εργαλείο ή με αυτές τις οδηγίες να χρησιμοποιούν το ηλεκτρικό εργαλείο.
Τα ηλεκτρικά εργαλεία είναι επικίνδυνα στα χέρια μη εκπαιδευμένων ατόμων.
- e) Συντηρείτε τα ηλεκτρικά εργαλεία. Να ελέγχετε την ευθυγράμμιση τους ή το μπλοκάρισμα των κινούμενων μερών, τη θραύση των εξαρτημάτων και οποιαδήποτε άλλη κατάσταση που ενδέχεται να επηρεάσει τη λειτουργία του ηλεκτρικού εργαλείου.
*Σε περίπτωση βλάβης, το ηλεκτρικό εργαλείο πρέπει να επισκευαστεί πριν χρησιμοποιηθεί.
Πολλά ατυχήματα προκαλούνται από ηλεκτρικά εργαλεία που δεν έχουν συντηρηθεί σωστά.*
- f) Διατηρείτε τα εργαλεία κοπής κοφτερά και καθαρά.
Τα κατάλληλα συντηρημένα εργαλεία κοπής με κοφτερές γωνίες μπλοκάρουν πιο δύσκολα και ελέγχονται πιο εύκολα.
- g) Χρησιμοποιείτε το ηλεκτρικό εργαλείο, τα εξαρτήματα και τα μέρη κ.τ.λ. σύμφωνα με τις παρούσες οδηγίες, λαμβάνοντας υπόψη τις συνθήκες εργασίας και την εργασία που θα εκτελέσετε.
Η χρήση του ηλεκτρικού εργαλείου για εργασίες πέρα από εκείνες για τις οποίες προορίζεται, ενδέχεται να δημιουργήσει κινδύνους.
- 5) Σέρβις
- a) Να δίνετε το ηλεκτρικό εργαλείο για σέρβις σε κατάλληλα εκπαιδευμένα άτομα και να χρησιμοποιείτε μόνο γνήσια ανταλλακτικά.
Με αυτόν τον τρόπο είστε σίγουροι για την ασφάλεια του ηλεκτρικού εργαλείου.

ΠΡΟΦΥΛΑΞΗ

Μακριά από τα παιδιά και τους αναπήρους.
Όταν δεν χρησιμοποιούνται, τα εργαλεία πρέπει να φυλάσσονται μακριά από τα παιδιά και τους αναπήρους.

ΠΡΟΕΙΔΟΠΟΙΗΣΕΙΣ ΑΣΦΑΛΕΙΑΣ ΓΙΑ ΤΟ ΘΕΡΜΟΠΙΣΤΟΛΟ

ΠΡΟΣΟΧΗ

1. Αυτό το εργαλείο δεν προορίζεται για χρήση από άτομα (στα οποία περιλαμβάνονται και τα παιδιά) με μειωμένες φυσικές, αισθητηριακές ή διανοητικές ικανότητες, ή άτομα χωρίς εμπειρία και γνώσεις, παρά μόνο εφόσον επιτηρούνται ή τους έχουν δοθεί οδηγίες σχετικά με τη χρήση του εργαλείου από άτομο υπεύθυνο για την ασφάλειά τους.
2. Τα παιδιά πρέπει να επιτηρούνται για να διασφαλίζεται ότι δεν παίζουν με το εργαλείο.
3. Μπορεί να προκληθεί πυρκαγιά αν το εργαλείο δεν χρησιμοποιηθεί με προσοχή, συνεπώς:
Προσέχετε όταν χρησιμοποιείτε το εργαλείο σε χώρους όπου υπάρχουν εύφλεκτα υλικά.
Μην το αφήνετε στο ίδιο σημείο για παρατεταμένο χρονικό διάστημα.
Μην το χρησιμοποιείτε σε εκρηκτική ατμόσφαιρα.
Να έχετε υπόψη σας ότι η θερμότητα μπορεί να μεταδοθεί σε εύφλεκτα υλικά τα οποία δεν είναι ορατά.
Τοποθετήστε το πάνω στη βάση του μετά τη χρήση και αφήστε το να κρυώσει πριν από την αποθήκευση.
Μην αφήνετε το εργαλείο χωρίς επίβλεψη όταν χρησιμοποιείται.
4. Μην χρησιμοποιείτε το εργαλείο ή αγγίζετε το βύσμα τροφοδοσίας με υγρά χέρια.
Σε περίπτωση παράλειψης των ανωτέρω μπορεί να προκύψουν ηλεκτροπληξίες.

5. Ελέγχετε πάντοτε την περιοχή εργασίας πριν από τη χρήση, και μη χρησιμοποιείτε το εργαλείο εφόσον η δεν υπάρχει εγγύηση για την ασφάλειά σας.
Σε περίπτωση παράλειψης των ανωτέρω μπορούν να προκύψουν εύφλεκτα αντικείμενα κρυμμένα σε ή πίσω από περιοχές που δεν βρίσκονται στο οπτικό σας πεδίο (βαλίτσες, ταβάνια, πατώματα, κουφώματα) τα οποία και αναφλέγονται.
 6. Μην κάθεστε κάτω από το εργαλείο όταν το χρησιμοποιείτε σε ανυψωμένους χώρους.
Επίσης, μην αφήνετε να πιαστεί το καλώδιο τροφοδοσίας πάνω σε οποιοδήποτε αντικείμενο και μην το αφήνετε να τεντώνεται.
Σε περίπτωση παράλειψης των ανωτέρω μπορεί να προκύψουν ατυχήματα.
 7. Μην κατευθύνετε το ζεστό αέρα πάνω σε άτομα και σε ζώα. Μην κοιτάτε μέσα στο ακροφύσιο. Μην το χρησιμοποιείτε σαν στεγνωτήρι μαλλιών σε καμία περίπτωση.
Σε περίπτωση παράλειψης των ανωτέρω μπορεί να προκύψουν ατυχήματα ή τραυματισμός.
 8. Υπάρχουν περιπτώσεις κατά τις οποίες μπορεί να γίνει εκπομπή αερίου υψηλής τοξικότητας αν χρησιμοποιηθεί πάνω σε πλαστικό, λάκα ή παρόμοια υλικά.
Βεβαιωθείτε πάντοτε ότι ο χώρος εργασίας εξαερίζεται πλήρως, και φορέστε μια μάσκα προστασίας κατά της σκόνης.
 9. Εξαπλώστε ήπια τη θερμότητα ενόσω μετακινείτε το θερμοπίστολο, κάτω, αριστερά και δεξιά.
Στοχεύοντας με αυτό διαρκώς το ίδιο σημείο μπορεί να εκδηλωθεί καπνός ή πυρκαγιά.
 10. Ελέγξτε το εργαλείο για τυχόν ζημιές, ρωγμές ή δυσμορφία στην περίπτωση που πέσει κατα λάθος ή έρθει σε πρόσκρουση με άλλο αντικείμενο ή υπόκειται σε κρούση.
Ζημιές, ρωγμές και δυσμορφία μπορεί να καταλήξουν τραυματισμό.
 11. Σταματήστε αμέσως τη λειτουργία του εργαλείου εφόσον αυτό δεν λειτουργεί σωστά ή επισημαίνονται ασυνήθεις θόρυβοι ή δονήσεις, και επικοινωνήστε με το Εξουσιοδοτημένο Κέντρο Τεχνικής Εξυπηρέτησης (Σέρβις) της HIKOKI για να ζητήσετε επιθεωρήσεις και επισκευές.
Η συνεχιζόμενη χρήση μπορεί να καταλήξει σε τραυματισμό.
 12. Μην απομακρύνετε από τη συσκευή ενόσω αυτή είναι ενεργοποιημένη. Σε περίπτωση παράλειψης του ανωτέρω μπορεί να προκύψουν ατυχήματα.
 13. Εάν κατά τη διάρκεια της χρήσης, γίνει διακοπή της παροχής ηλεκτρικού ρεύματος, (π.χ. έχει βγει το φιλς ρεύματος, έχει πέσει ο διακόπτης, έχει συμβεί διακοπή ρεύματος...) και ο ανεμιστήρας του θερμικού πιστολιού έχει σταματήσει, βάλτε τον διακόπτη στη θέση OFF. Αν ο διακόπτης είναι στη θέση ON, όταν επανέλθει το ρεύμα, η επανεκκίνηση του ανεμιστήρα ενδέχεται να προκαλέσει πυρκαγιά.
- ΠΡΟΕΙΔΟΠΟΙΗΣΗ**
1. Εξαρτήματα του παρεχόμενου ακροφυσίου είναι κοφτερά, χρησιμοποιείτε λοιπόν γάντια όταν τα αφαιρείτε από τη θήκη και όταν τα συνδέετε ή τα αποσυνδέετε.

2. Το ακροφύσιο απελευθέρωσης ζεστού αέρα, η κορυφή του ακροφυσίου και το υλικό που θερμάνθηκε είναι εξαιρετικά ζεστά κατά τη διάρκεια χρήσης του εργαλείου και αμέσως μετά από αυτήν, γι' αυτό χρησιμοποιείτε γάντια και αποφεύγετε την άμεση επαφή με αυτά.
3. Μην κάνετε χρήση μέσα σε κουτιά, συρτάρια ή άλλους κλειστούς χώρους. Στοχεύοντας με αυτό διαρκώς το ίδιο σημείο μπορεί να εκδηλωθεί καπνός ή πυρκαγιά.
4. Βεβαιωθείτε ότι το ακροφύσιο βρίσκεται τουλάχιστον 5cm μακριά από το αντικείμενο που θερμαίνεται όταν χρησιμοποιείτε το εργαλείο. Επίσης, μην καλύπτετε ή φράσσετε κατά οποιοδήποτε άλλο τρόπο το ακροφύσιο.

- Σε περίπτωση παράλειψης των ανωτέρω μπορεί το θερμοπίστολο να υπερθερμανθεί οδηγώντας σε δυσλειτουργίες.
5. Μην αναβοσβήνετε επανειλημμένα το εργαλείο. Επίσης, μη χρησιμοποιείτε το εργαλείο με το καλώδιο τροφοδοσίας διπλωμένο ή στριμμένο. Σε περίπτωση παράλειψης των ανωτέρω μπορεί να προκύψουν δυσλειτουργίες.
 6. Μην στρέφετε το ακροφύσιο απελευθέρωσης ζεστού αέρα προς τα κάτω αμέσως μετά τη χρήση. Σε περίπτωση παράλειψης των ανωτέρω μπορεί το θερμοπίστολο να υπερθερμανθεί οδηγώντας σε δυσλειτουργίες.

ΤΕΧΝΙΚΑ ΧΑΡΑΚΤΗΡΙΣΤΙΚΑ

Τροφοδοσία ηλεκτρικού ρεύματος	Τύπος	Μπορεί να χρησιμοποιηθεί με ηλεκτρικό ρεύμα απλής φάσης 50Hz και 60Hz.		
	Τάση	110 V	120 V έως 127 V	220 V έως 240 V
	Ονομαστική τιμή ηλεκτρικού ρεύματος	12,9 A	12,2 A	8,8 A
Ισχύς Εισόδου		1375 W	1500 W	2000 W
Ικανότητα	Όγκος αέρα	0,25 m ³ /min έως 0,5 m ³ /min (Διακόπτης 2 σταδίων)		
	Θερμοκρασία αέρα	250 – 500°C Διακόπτης 2 σταδίων 50°C (Όταν χρησιμοποιείται το κουμπί ψύξης.)	350 – 500°C Διακόπτης 2 σταδίων 50°C (Όταν χρησιμοποιείται το κουμπί ψύξης.)	450 – 600°C Διακόπτης 2 σταδίων 50°C (Όταν χρησιμοποιείται το κουμπί ψύξης.)
Τύπος μοτέρ		Μοτέρ σταθερού ρεύματος		
Βάρος		0,57 Kg		

ΒΑΣΙΚΑ ΕΞΑΡΤΗΜΑΤΑ

- ① Ακροφύσιο (στρογγυλό)..... 1
- ② Ακροφύσιο (επίπεδο)..... 1
- ③ Ακροφύσιο (κυρτή επιφάνεια) 1
- ④ Ακροφύσιο (Γυαλί προστασίας) 1
- ⑤ Ξύστρα (με χειρολαβή) 1
- ⑥ Θήκη..... 1

Τα βασικά εξαρτήματα υπόκεινται σε αλλαγή χωρίς προειδοποίηση.

ΕΦΑΡΜΟΓΕΣ

- Ξεφλούδισμα βαφής
- Μαλακτική κόλλα
- Αφαίρεση στόκου από πλαίσια παραθύρων
- Σχηματισμός σωλήνων ρητίνης
- Πλαστικό συγκόλλησης
- Περιτύλιγμα θερμότητας που χρησιμοποιεί συρρικνωμένα από τη θερμότητα μεμβράνη.
- Συγκόλληση
- Εργασία στεγνώματος
- Εργασία απόψυξης

ΠΡΙΝ ΑΠΟ ΤΗ ΛΕΙΤΟΥΡΓΙΑ

1. Πηγή τροφοδοσίας

Βεβαιωθείτε ότι η πηγή τροφοδοσίας που πρόκειται να χρησιμοποιηθεί συμμορφούται με τις απαιτήσεις τροφοδοσίας που καθορίζονται στην πλάκα του ονόματος του προϊόντος.

2. Διακόπτης τροφοδοσίας

Βεβαιωθείτε ότι ο διακόπτης τροφοδοσίας βρίσκεται στη θέση απενεργοποίησης (OFF).

Αν το φιν είναι συνδεδεμένο σε μια πρίζα ενόσω ο διακόπτης τροφοδοσίας βρίσκεται στη θέση ενεργοποίησης (ON), το εργαλείο θα αρχίσει να λειτουργεί αμέσως, πράγμα που θα μπορούσε να προκαλέσει σοβαρό ατύχημα.

3. Καλώδιο επέκτασης

Αν ο χώρος που εργάζεσθε βρίσκεται μακριά από την πηγή τροφοδοσίας, χρησιμοποιήστε ένα καλώδιο επέκτασης επαρκούς πάχους και ονομαστικής χωρητικότητας. Το καλώδιο επέκτασης θα πρέπει να παραμένει κοντό, όσο αυτό είναι εφικτό.

ΒΑΣΙΚΕΣ ΛΕΙΤΟΥΡΓΙΕΣ

1. Αλλαγή ανάμεσα σε λειτουργία και ρυθμίσεις της θερμοκρασίας (Εικ. 1, 2)

Πιέστε το διακόπτη προς τα πάνω ή προς τα κάτω ώστε να καταστεί δυνατή η συνεχής λειτουργία ακόμα και όταν το δάχτυλό σας έχει απομακρυνθεί.

Πιέστε την προεξοχή ελαφρά για να επιστρέψετε το διακόπτη στην κεντρική θέση και διακόψτε την παροχή ρεύματος.

Η θερμοκρασία του αέρα και ο όγκος του αέρα μπορούν να ρυθμιστούν σε δύο στάδια, ανάλογα με τον τρόπο με τον οποίο ο διακόπτης έχει ρυθμιστεί.

Θέση διακόπτη [I]:

110 V: 250 °C (όγκος αέρα 0,25 m³)
120 V έως 127 V: 350 °C (όγκος αέρα 0,25 m³)
220 V έως 240 V: 350 °C (όγκος αέρα 0,25 m³)

Θέση διακόπτη [II]:

110 V έως 127 V: 500 °C (όγκος αέρα 0,5 m³)
220 V έως 240 V: 600 °C (όγκος αέρα 0,5 m³)

Πιέστε το κουμπί ταχείας ψύξης και πιέστε το διακόπτη εμφύσησης θερμού αέρα στους περίπου 50 βαθμούς Κελσίου για κάθε έναν από τους δύο όγκους αέρα του διακόπτη.

Αυτό γίνεται για την ταχεία ψύξη υλικού που είναι παραμορφώσιμο λόγω ζέστης και για τη ψύξη του ακροφυσίου όταν αυτό φθάσει σε υψηλές θερμοκρασίες μετά τη χρήση του εργαλείου.

2. Χρησιμοποιώντας το γάντζο (Εικ. 3)

ΠΡΟΕΙΔΟΠΟΙΗΣΗ

- Όταν σημαδεύετε με το εργαλείο προς τα πάνω για να εργαστοίτε, βεβαιωθείτε ότι έχει τοποθετηθεί πάνω σε μια σταθερή βάση που δεν γέρνει.
- Μην κρεμάτε το εργαλείο από τον καρπό ή στη μέση σας όταν μετακινείστε με το ακροφύσιο ακόμα ζεστό.

Στηρίξτε το εργαλείο σταθερά όταν το ακροφύσιο απελευθερώσει θερμό αέρα βλέπτε προς τα πάνω.

Επίσης, είναι δυνατή η ανάρτηση του εργαλείου από τον έναν καρπό, κλπ., με ένα κορδόνι για να μην το αφήσετε να πέσει όταν εργάζεστε ψηλά, κλπ..

3. Προσαρτώντας το ακροφύσιο (Εικ. 4)

ΠΡΟΕΙΔΟΠΟΙΗΣΗ

Το ακροφύσιο είναι εξαιρετικά ζεστό αμέσως μετά τη χρήση, γι' αυτό μην το αγγίζετε.

ΣΗΜΕΙΩΣΗ

Βεβαιωθείτε ότι δεν αφήνετε το ακροφύσιο να σας πέσει.

Αντικαταστήστε το ακροφύσιο με έναν τύπο ακροφυσίου που είναι κατάλληλος για τη δουλειά που κάνετε

Εισάγετε σταθερά το παρεχόμενο ακροφύσιο στο ακροφύσιο απελευθέρωσης καυτού αέρα έως ότου δεν μπορεί να πάει παραπέρα.

4. Ρυθμίσεις θερμοκρασίας

ΠΡΟΣΟΧΗ

- Μη χρησιμοποιείτε το εργαλείο κοντά σε πτητικές ουσίες (αρωματικά μέσα, βενζίνη, κλπ.)
- Μη φέρνετε το ακροφύσιο απελευθέρωσης θερμού αέρα σε κοντινή επαφή με τα χέρια ή με τα μάτια σας κατά τη διάρκεια της χρήσης.
Το ακροφύσιο είναι εξαιρετικά ζεστό αμέσως μετά τη χρήση, γι' αυτό μην το αγγίζετε.

Ρυθμίστε τη θερμοκρασία λαμβάνοντας υπόψη το αντικείμενο που πρόκειται να θερμανθεί

Προσέξτε επίσης το περιβάλλον υλικό που θα θερμανθεί ταυτόχρονα.

Πρώτα απ' όλα, ρίξτε το ζεστό αέρα από απόσταση ενόσω ελέγχετε ότι δεν υπάρχουν μεταβολές στο θερμαινόμενο αντικείμενο, και φέρτε τον ύστερα κοντά έως ότου φθάσει στην κατάλληλη απόσταση.

Θερμαίνοντας εύφλεκτες ουσίες

(χαρτί, ξυλό, πλαστικό, κλπ.)

Ρυθμίστε το διακόπτη στη θέση [I] και θερμάνετε με το ακροφύσιο τουλάχιστον 10cm μακριά από το θερμαινόμενο αντικείμενο.

Μετακινήστε απαλά την κορυφή του ακροφυσίου κάτω, πάνω, αριστερά και δεξιά για να θερμάνετε.

Η σταθερή θέρμανση μιας θέσης μπορεί να οδηγήσει σε δυσμορφία ή σε εκδήλωση καπνού.

Θέρμανση μη εύφλεκτων υλικών

(μέταλλο, πέτρα, τσιμέντο, κλπ.)

Ρυθμίστε το διακόπτη στη θέση [I], και αν δεν υπάρξει κανένα πρόβλημα, μετακινήστε τον στη θέση [II].

Θερμάνετε με το ακροφύσιο τουλάχιστον 5cm μακριά από το θερμαινόμενο αντικείμενο.

Κρατώντας το ακροφύσιο πολύ κοντά μπορεί το εργαλείο να υπερθερμανθεί οδηγώντας σε δυσλειτουργίες.

ΠΑΡΑΔΕΙΓΜΑ ΕΡΓΑΣΙΑΣ

ΠΡΟΕΙΔΟΠΟΙΗΣΗ

Εξαρτήματα του παρεχόμενου ακροφυσίου είναι κοφτερά, χρησιμοποιείτε λοιπόν γάντια όταν τα αφαιρείτε από τη θήκη και όταν τα συνδέετε ή τα αποσυνδέετε.

Επιλέξτε το ακροφύσιο λαμβάνοντας υπόψη το σχήμα του θερμαινόμενου αντικειμένου και της θερμαινόμενης περιοχής.

1. Ξεφλούδισμα βαφής (Εικ. 5)

Χρησιμοποιήστε ένα επίπεδο ή ένα στρογγυλό ακροφύσιο για να μαλακώσετε τη βαφή με το ζεστό αέρα, και αφαιρέστε το ύστερα με τη παρεχόμενη ξύστρα.

Σημειώστε ότι η υπερβολική θέρμανση της μπογιάς μπορεί να έχει σαν αποτέλεσμα το καψάλισμά της και να γίνει σκληρότερη, δυσκολεύοντας το ξύσιμό της.

2. Μαλάκωμα της κόλλας (Εικ. 6)

Χρησιμοποιήστε ένα επίπεδο ή ένα στρογγυλό ακροφύσιο για να μαλακώσετε την επιφάνεια και να κάνετε το ξεφλούδισμά της εύκολο, και ύστερα τραβήξτε προς τα πάνω μια από τις άκρες, φυσήξτε τη θερμότητα από κάτω της και ξεφλουδίστε ώστε να μη μείνει τίποτα από την κόλλα.

3. Περιτύλιγμα θερμότητας (Εικ. 7)

Χρησιμοποιήστε ένα επίπεδο ακροφύσιο για να θερμάνετε το υμένιο περιτύλιξης και τους σωλήνες. Τι υλικό αυτό θα αλλάξει χρώμα ή θα εμφανίσει ρωγμή αν γίνει εμφύσηση ζεστού αέρα πάνω σε αυτό από κοντινή απόσταση, διατηρήστε λοιπόν την κατάλληλη απόσταση ενόσω παρακολουθείτε την εξέλιξη.

4. Σχηματισμός σωλήνων ρητίνης (Εικ. 8)

Χρησιμοποιήστε ένα ακροφύσιο (κυρτή επιφάνεια) για να θερμάνετε ομοιόμορφα την περιφέρεια του αγωγού ρητίνης.

Για να μη καταστεί το εσωτερικό του αγωγού στενότερο όταν τον λυγίζετε, κλπ., ρίξτε άμμο στο εσωτερικό του, φράξτε και τα δυο άκρα και λυγίστε τον ύστερα απαλά.

5. Αφαίρεση στόκου από πλαίσια παραθύρων (Εικ. 9)

Χρησιμοποιήστε ένα ακροφύσιο (γυαλί προστασίας) για να μαλακώσετε με τη θερμότητα το στόκο με την παρεχόμενη ξύστρα.

Σημειώστε ότι το γυαλί μπορεί να παρουσιάσει ρωγμές αν ζεσταίνεται συνέχεια.

6. Απόψυξη υδροσωλήνων (Εικ. 10)

Χρησιμοποιήστε ένα ακροφύσιο (κυρτή επιφάνεια) για να θερμάνετε την παγωμένη περιοχή από την άκρη έως το κέντρο. Μην μεپردέψετε τους υδροσωλήνες με τους γυάλινους σωλήνες.

Προσέξτε ώστε να αποφύγετε τυχόν ζημιές στις κατεψυγμένες περιοχές ρητίνης ή πάνω στους υδροσωλήνες.

[Αποτελεσματική χρήση του κουμπιού ταχείας ψύξης]

Πιέστε το κουμπί ταχείας ψύξης και πιέστε το διακόπτη εμφύσησης θερμού αέρα στους περίπου 50 βαθμούς Κελσίου για κάθε έναν από τους όγκους αέρα του διακόπτη.

Αυτό γίνεται για την ταχεία ψύξη υλικού που είναι παραμορφώσιμο λόγω ζέστης και για τη ψύξη του ακροφυσίου όταν αυτό φθάσει σε υψηλές θερμοκρασίες μετά τη χρήση του θερμοπίστολου.

ΣΥΝΤΗΡΗΣΗ ΚΑΙ ΕΛΕΓΧΟΣ

1. Επιθεωρώντας τις βίδες στερέωσης

Επιθεωρήστε τις βίδες στερέωσης σε τακτική βάση και βεβαιωθείτε ότι έχουν σφίχτει σωστά. Εάν κάποια από αυτές τις βίδες χαλαρώσει, σφίξτε τις ξανά αμέσως. Σε περίπτωση που δεν το κάνετε μπορεί να προκληθεί σοβαρός κίνδυνος.

2. Συντήρηση του μοτέρ

Η μονάδα περιέλιξης του κινητήρα είναι η πραγματική "καρδιά" του ηλεκτρικού εργαλείου. Αποφύγετε τα οποιαδήποτε ξένα αντικείμενα, λάδι ή νερό από το να μπουν μέσα στο στόμο εισαγωγής.

3. Αντικατάσταση του καλωδίου τροφοδοσίας

Αν η αντικατάσταση του καλωδίου τροφοδοσίας είναι αναγκαία, αυτή πρέπει να γίνει από Εξουσιοδοτημένο Κέντρο Εξυπηρέτησης (Σέρβικ) της HiKOKI έτσι ώστε να αποφευχθεί τυχόν κίνδυνος ασφάλειας.

4. Καθαρισμός του εξωτερικού

Όταν το εργαλείο έχει πιτσιλίσματα βαφής, σκουπίστε το με ένα μαλακό στεγνό πανί ή με ένα πανί βρεγμένο με νερό και σαπούνι.

Μη χρησιμοποιείτε διαλύματα χλωρίνης, βενζίνη ή διαλυτικό χρώματος, για να μην καταστραφούν τα πλαστικά μέρη.

5. Εξουσιοδοτημένο Κέντρο Εξυπηρέτησης της HiKOKI:

Δείτε τη διεύθυνση <https://hikoki-powertools.eu> για τις διευθύνσεις.

ΠΡΟΕΙΔΟΠΟΙΗΣΗ

Κατά τον έλεγχο και τη συντήρηση των ηλεκτρικών εργαλείων, οι κανόνες ασφαλείας και οι κανονισμοί που υπάρχουν σε κάθε χώρα πρέπει να ακολουθούνται.

ΕΓΓΥΗΣΗ

Εγγυώμαστε τα εργαλεία HiKOKI Power Tools σύμφωνα με τη νομοθεσία και τους κανονισμούς ανά χώρα. Η παρούσα εγγύηση δεν καλύπτει ελαττώματα ή ζημιές λόγω κακής χρήσης, κακοποίησης ή φυσιολογικής φθοράς. Σε περίπτωση παραπόνων παρακαλούμε αποστείλετε το Power Tool χωρίς να το αποσυναρμολογήσετε μαζί με το ΠΙΣΤΟΠΟΙΗΤΙΚΟ ΕΓΓΥΗΣΗΣ το οποίο βρίσκεται στο τέλος των οδηγιών αυτών, σε Εξουσιοδοτημένο Κέντρο Επίσκευής της HiKOKI.

ΣΗΜΕΙΩΣΗ

Εξαιτίας του συνεχιζόμενου προγράμματος έρευνας και ανάπτυξης της HiKOKI τα τεχνικά χαρακτηριστικά που εδώ αναφέρονται μπορούν να αλλάξουν χωρίς προηγούμενη ειδοποίηση.

OGÓLNE WSKAZÓWKI BEZPIECZEŃSTWA DOTYCZĄCE URZĄDZEŃ ELEKTRYCZNYCH

⚠ OSTRZEŻENIE

Należy dokładnie zapoznać się ze wszystkimi ostrzeżeniami i wskazówkami bezpieczeństwa.

Nieprzestrzeganie ostrzeżeń oraz wskazówek bezpieczeństwa może spowodować porażenie prądem elektrycznym, pożar i/lub odniesienie poważnych obrażeń.

Ostrzeżenia i wskazówki bezpieczeństwa powinny być przechowywane do użycia w przyszłości.

Wykorzystywane w treści wskazówek wyrażenie "narzędzie elektryczne" dotyczy narzędzi zasilanych z sieci (przewodowych) lub z baterii (beprzewodowych).

1) Bezpieczeństwo stanowiska pracy

- a) Miejsce pracy powinno być czyste i dobrze oświetlone.

Brak porządku lub nieodpowiednie oświetlenie miejsca pracy może być przyczyną wypadku.

- b) Nie należy używać narzędzi elektrycznych w miejscach zagrożonych wybuchem, na przykład w pobliżu łatwopalnych cieczy, gazów lub pyłów.

Pracujące narzędzie elektryczne wytwarza iskry grożące wybuchem.

- c) Dzieci oraz osoby postronne powinny pozostawać w bezpiecznej odległości od pracującego urządzenia.

Dekonzcentracja może spowodować utratę kontroli nad urządzeniem.

2) Bezpieczeństwo elektryczne

- a) Wtyczka narzędzia musi pasować do gniazda zasilania.

Nie wolno przerabiać wtyczki.

Narzędzia posiadające uziemienie nie powinny być używane z wtyczkami przejściowymi.

Przestrzeganie powyższych zaleceń dotyczących wtyczek i gniazdek pozwoli zmniejszyć ryzyko porażenia prądem elektrycznym.

- b) Należy unikać dotykania jakichkolwiek powierzchni i elementów uziemionych, takich jak rury, grzejniki, kuchenki lub urządzenia chłodnicze.

Ryzyko porażenia prądem elektrycznym jest wyższe, gdy ciało jest uziemione.

- c) Nie należy narażać narzędzi elektrycznych na działanie deszczu lub wilgoci.

Obecność wody zwiększa niebezpieczeństwo porażenia prądem elektrycznym.

- d) Nie należy używać przewodu zasilającego w sposób niezgodny z przeznaczeniem. Nie wolno używać przewodu do przenoszenia lub ciągnięcia urządzenia bądź wyłączania go z prądu.

Przewód powinien znajdować się w bezpiecznej odległości od źródeł ciepła, oleju, ostrych krawędzi lub poruszających się części.

Uszkodzenie lub zapętlenie przewodu zwiększa ryzyko porażenia prądem elektrycznym.

- e) W przypadku używania narzędzia elektrycznego na wolnym powietrzu należy korzystać z przedłużaczy przeznaczonych do takiego zastosowania.

Używanie odpowiednich przedłużaczy zmniejsza ryzyko porażenia prądem elektrycznym.

- f) W przypadku korzystania z narzędzia w miejscu o dużej wilgotności należy zawsze używać wyłącznika różnicowoprądowego.

Korzystanie z takiego wyłącznika zmniejsza ryzyko porażenia prądem elektrycznym.

3) Bezpieczeństwo osobiste

- a) Podczas korzystania z narzędzia elektrycznego należy zawsze koncentrować się na wykonywanej pracy i postępować zgodnie z zasadami zdrowego rozsądku.

Narzędzia elektryczne nie powinny być obsługiwane przez osoby zmęczone lub znajdujące się pod wpływem substancji odurzających, alkoholu bądź leków.

Chwila nieuwagi podczas obsługi narzędzia elektrycznego może spowodować odniesienie poważnych obrażeń.

- b) Zawsze używać odpowiedniego osobistego wyposażenia ochronnego. Zawsze nosić odpowiednie okulary ochronne.

Stosowane w odpowiednich warunkach wyposażenie zabezpieczające, takie jak maska przeciwpyłowa, obuwie antypoślizgowe, kask lub nauszniki zmniejsza ryzyko odniesienia obrażeń ciała.

- c) Uniemożliwić nieoczekiwane uruchomienie narzędzia. Przed podłączeniem narzędzia do gniazda zasilania i/lub zestawu baterii, a także przed podniesieniem lub przeniesieniem go, należy upewnić się, że wyłącznik znajduje się w położeniu wyłączenia.

Ze względów bezpieczeństwa nie należy przenosić narzędzi elektrycznych, trzymając palec na wyłączniku, ani podłączając do zasilania urządzeń, których wyłącznik znajduje się w położeniu włączenia.

- d) Przed włączeniem usunąć wszystkie klucze regulacyjne.

Pozostawienie klucza regulacyjnego połączonego z częścią obrotową narzędzia może spowodować odniesienie obrażeń.

- e) Nie sięgać zbyt daleko. Należy zawsze stać stabilnie, zachowując równowagę.

Zapewnia to lepsze panowanie nad narzędziem w nieoczekiwanych sytuacjach.

- f) Należy nosić odpowiednią odzież roboczą. Nie nosić luźnych ubrań lub biżuterii. Trzymać włosy, odzież i rękawice w bezpiecznej odległości od ruchomych części urządzenia.

Luźne ubrania, biżuteria lub długie włosy mogą zostać wciągnięte przez ruchome części narzędzia.

- g) Jeżeli wraz z narzędziem dostarczone zostało wyposażenie służące do odprowadzania pyłów, należy pamiętać o jego właściwym podłączeniu i używaniu.

Właściwe zbieranie i odprowadzanie pyłu zmniejsza zagrożenia związane z jego obecnością.

4) Obsługa i konserwacja narzędzi elektrycznych

- a) Nie używać narzędzia elektrycznego ze zbyt dużą siłą. Należy stosować narzędzie odpowiednie dla wykonywanej pracy.

Narzędzie przeznaczone do określonej pracy wykona ją lepiej i w sposób bardziej bezpieczny, pracując z zalecaną prędkością.

- b) Nie należy używać narzędzia, którego wyłącznik jest uszkodzony.

Każde urządzenie, które nie może być właściwie włączone i wyłączane, stanowi zagrożenie i musi zostać naprawione.

- c) Należy zawsze odłączać urządzenie z sieci zasilania i/lub baterii przed przystąpieniem do jakichkolwiek modyfikacji, wymiany akcesoriów itp. oraz kiedy urządzenie nie będzie używane przez dłuższy czas.

Powyższe środki mają na celu wyeliminowanie ryzyka nieoczekiwanego uruchomienia urządzenia.

- d) Nieużywane narzędzia elektryczne powinny być przechowywane w miejscu niedostępnym dla dzieci oraz osób, które nie znają zasad ich obsługi lub niniejszych zaleceń.

Korzystanie z narzędzi elektrycznych przez osoby, które nie zostały przeszkolone, może stanowić zagrożenie.

- e) Należy dbać o odpowiednią konserwację narzędzi elektrycznych. Przed rozpoczęciem pracy należy sprawdzić, czy ruchome części urządzenia nie są wygięte, uszkodzone lub pęknięte i czy nie występują jakiegokolwiek inne okoliczności, które mogłyby uniemożliwić bezpieczną pracę urządzenia.

W razie uszkodzenia przed kolejnym użyciem narzędzie musi zostać naprawione.

Wiele wypadków następuje z powodu nieprawidłowej konserwacji narzędzi elektrycznych.

- f) Narzędzia tnące powinny być zawsze ostre i czyste.

Narzędzia tnące powinny być utrzymywane w odpowiednim stanie, a ich krawędzie muszą być odpowiednio ostre - zmniejsza to ryzyko wygięcia i ułatwia obsługę narzędzia.

- g) Należy zawsze obsługiwać narzędzie, jego akcesoria takie jak wiertła itp. w sposób zgodny z zaleceniami niniejszej instrukcji, biorąc pod uwagę warunki robocze oraz rodzaj wykonywanej pracy.

Używanie narzędzia do celów niezgodnych z jego przeznaczeniem może spowodować niebezpieczeństwo.

5) Serwis

- a) Narzędzia elektryczne mogą być naprawiane wyłącznie przez uprawnionych techników serwisowych, przy zastosowaniu oryginalnych części zamiennych.

Zapewnia to utrzymanie bezpieczeństwa obsługi urządzenia.

UWAGA

Dzieci i osoby niepełnosprawne muszą pozostawać w bezpiecznej odległości od narzędzia.

Nieużywane narzędzia elektryczne powinny być przechowywane w miejscu niedostępnym dla dzieci i osób niepełnosprawnych.

OSTRZEŻENIA DOTYCZĄCE BEZPIECZEŃSTWA PODCZAS UŻYWANIA OPALARKI

OSTRZEŻENIE

1. To narzędzie nie jest przeznaczone do użytku przez osoby (w tym dzieci) o ograniczonych zdolnościach fizycznych, sensorycznych lub umysłowych, lub nieposiadające doświadczenia i wiedzy, chyba że znajdują się one pod nadzorem osoby odpowiadającej za ich bezpieczeństwo lub zostały przez nią poinstruowane w zakresie użytkowania narzędzia.

2. Należy pilnować dzieci, aby nie bawiły się narzędziem.

3. Nieostrożne użytkowanie narzędzia może prowadzić do pożaru, dlatego: Zachować ostrożność podczas używania narzędzia w miejscach, w których znajdują się materiały palne. Nie kierować strumienia powietrza z narzędzia na jedno miejsce przez długi czas.

Nie używać w atmosferze wybuchowej. Pamiętaj, że gorąco może być przewodzone do materiałów palnych znajdujących się poza zasięgiem wzroku.

Po użyciu umieścić narzędzie na stojaku i poczekać na jego ostygnięcie przed rozpoczęciem przechowywania.

Nie pozostawiać narzędzia bez nadzoru podczas użytkowania.

4. Nie wolno trzymać narzędzia lub dotykać wtyczki zasilania mokrymi rękoma.

Nieprzestrzeganie tego zalecenia może doprowadzić do porażenia prądem elektrycznym.

5. Przed użyciem należy zawsze sprawdzić miejsce pracy i nie wolno używać narzędzia, jeżeli nie można zagwarantować bezpieczeństwa. Nieprzestrzeganie tego zalecenia może doprowadzić do zapłonu produktów łatwopalnych ukrytych w lub za niewidocznymi miejscami (skrzynki, sufity, podłogi, miejsca puste).
 6. Podczas korzystania z narzędzia na wysokości nie wolno stać pod spodem. Także nie wolno chwytać przewodu zasilającego lub dopuszczać do jego ciągnięcia. Nieprzestrzeganie tego zalecenia może doprowadzić do wypadków.
 7. Nie wolno kierować strumienia gorącego powietrza bezpośrednio na ludzi lub zwierzęta. Nie zaglądać do dyszy. W żadnym przypadku nie wolno używać urządzenia jako suszarki do włosów. Nieprzestrzeganie tego zalecenia może doprowadzić do wypadków lub zranienia.
 8. Występują przypadki, w których może dochodzić do emisji silnie toksycznych gazów w razie stosowania urządzenia do tworzyw sztucznych, lakieru lub podobnych materiałów. Zawsze zapewnić, że miejsce pracy jest całkowicie wentylowane i nosić maskę przeciwpyłową.
 9. Delikatnie stosować ciepło przemieszczając opalarkę do góry, w dół w lewo i w prawo. Stałe kierowanie strumienia w jedno miejsce może spowodować powstanie dymu lub powstanie pożaru.
 10. W razie przypadkowego zrzucenia lub uderzenia sprawdzić, czy urządzenie nie jest uszkodzone, pęknięte lub odkształcone. Zniszczenia, pęknięcia lub uszkodzenia mogą spowodować obrażenia.
 11. Natychmiast przerwać pracę w przypadku nieprawidłowego działania narzędzia lub zauważenia nietypowych hałasów lub drgań oraz skontaktować się z autoryzowanym punktem serwisowym HiKOKI w celu wykonania przeglądu lub naprawy. Dalsze używanie może spowodować obrażenia.
 12. Nie odchodzić od urządzenia, gdy jest włączone. Nieprzestrzeganie tego zalecenia może prowadzić do wypadków.
 13. Jeśli podczas użytkowania nastąpi przerwa w dostawie prądu (np. wtyczka zasilania wypadnie z gniazdka, uruchomi się bezpiecznik, wystąpi przerwa w dostawie prądu itp.) i dojdzie do zatrzymania wentylatora opalarki, przestawić włącznik w położenie **WYŁĄCZONE**. Jeśli włącznik zostanie pozostawiony w pozycji **WŁĄCZONEJ**, ponowne uruchomienie wentylatora po wznowieniu zasilania może spowodować pożar.
- UWAGA**
1. Dostarczane części dyszy są ostre, dlatego podczas ich wyjmowania z futerału lub montażu albo demontażu i należy używać rękawic.
 2. Dysza nadmuchu gorącym powietrzem, końcówka dyszy i materiał podgrzewany są bardzo gorące w czasie i natychmiast po użyciu narzędzia, dlatego należy stosować rękawice celem unikania bezpośredniego kontaktu z nimi.
 3. Nie wolno stosować urządzenia wewnątrz skrzynek, szuflad lub innych przestrzeni zamkniętych.

Stałe kierowanie strumienia w jedno miejsce może spowodować powstanie dymu lub powstanie pożaru.

4. Upewnić się, że podczas korzystania z narzędzia dysza znajduje się co najmniej 5 cm od podgrzewanego przedmiotu. Także nie wolno przykrywać ani w żaden inny sposób blokować dyszy.

Nieprzestrzeganie tych zasad może spowodować przegrzanie opalarki prowadząc do usterki.

5. Nie wolno kilkakrotnie po sobie włączać i wyłączać urządzenia. Także nie wolno korzystać z urządzenia z zagiętym lub skręconym przewodem zasilania.

Nieprzestrzeganie tego zalecenia może doprowadzić do usterek.

6. Nie wolno natychmiast po użyciu kierować dyszy gorącego powietrza w dół.

Nieprzestrzeganie tych zasad może spowodować przegrzanie narzędzia prowadzące do usterki.

SPECYFIKACJE

Zasilanie	Typ	Może być stosowane z prądem jednofazowym o częstotliwości 50 Hz jak i 60 Hz.		
	Napięcie	110 V	120 V do 127 V	220 V do 240 V
	Prąd znamionowy	12,9 A	12,2 A	8,8 A
Moc pobierana		1375 W	1500 W	2000 W
Zdolność	Wydatek powietrza	0,25 m ³ /min do 0,5 m ³ /min (przełącznik 2-stopniowy)		
	Temperatura powietrza	250 – 500°C Przełącznik 2-stopniowy 50°C (Kiedy używany jest przycisk chłodzenia.)	350 – 500°C Przełącznik 2-stopniowy 50°C (Kiedy używany jest przycisk chłodzenia.)	450 – 600°C Przełącznik 2-stopniowy 50°C (Kiedy używany jest przycisk chłodzenia.)
Typ silnika elektrycznego		Silnik prądu stałego		
Masa		0,57 Kg		

AKCESORIA STANDARDOWE

- ① Dysza (okrągła) 1
- ② Dysza (płaska) 1
- ③ Dysza (powierzchnia zakrzywiona) 1
- ④ Dysza (ochrona szkła) 1
- ⑤ Skrobak (z uchwytem) 1
- ⑥ Futerał 1

Aksesoria standardowe mogą ulec zmianie bez wcześniejszego zawiadomienia.

ZASTOSOWANIA

- Złuszczenie farby
- Zmiękczenie kleju
- Usuwanie kitu z ram okiennych
- Kształtowanie rur z tworzywa sztucznego
- Spawanie tworzywa sztucznego
- Pakowanie z wykorzystaniem folii termokurczliwej.
- Lutowanie
- Osuszanie
- Rozmrażanie

PRZED ROZPOCZĘCIEM PRACY

- 1. Źródło zasilania**
Upewnić się, że źródło zasilania, które ma zostać zastosowane spełnia wymagania zasilania określone na tabliczce znamionowej produktu.
- 2. Włącznik zasilania**
Upewnić się, że włącznik zasilania jest w pozycji wyłączenia.
Jeżeli wtyczka zostanie włożona do gniazdka, kiedy włącznik zasilania jest w położeniu włączenia, narzędzie elektryczne zacznie natychmiast pracować, co może prowadzić do poważnego wypadku.
- 3. Przedłużacz**
Kiedy miejsce pracy znajduje się z dala od źródła zasilania należy skorzystać z przedłużacza o wystarczającej grubości i parametrach znamionowych. Przedłużacz powinien być tak krótki, jak to praktyczne.

FUNKCJE PODSTAWOWE

1. Obsługa przełącznika i regulacja temperatury (Rys. 1, 2)

Nacisnąć przełącznik do góry lub w dół w celu włączenia pracy ciągłej nawet po zdjęciu palca.

Lekko nacisnąć występ, aby spowodować powrót przełącznika do położenia środkowego i wyłączenie zasilania.

Temperatura strumienia powietrza i objętość strumienia powietrza mogą być regulowane dwustopniowo, zależnie do ustawienia przełącznika.

Położenie [I] przełącznika:

110 V: 250 °C (objętość powietrza 0,25 m³)

120 V do 127 V: 350 °C (objętość powietrza 0,25 m³)

220 V do 240 V: 350 °C (objętość powietrza 0,25 m³)

Położenie [II] przełącznika:

110 V do 127 V: 500 °C (objętość powietrza 0,5 m³)

220 V do 240 V: 600 °C (objętość powietrza 0,5 m³)

Nacisnąć przycisk szybkiego chłodzenia i nacisnąć przełącznik w celu nadmuchu ciepłego powietrza o temperaturze około 50 stopni Celsjusza dla każdego z przełączanych wydatków powietrza.

Służy to do szybkiego chłodzenia materiału, który jest pakowany w folię termokurczliwą i do chłodzenia dyszy, kiedy osiągnie ona wysoką temperaturę po użyciu narzędzia.

2. Korzystanie z haczyka (Rys. 3)

UWAGA

- Przy kierowaniu narzędzia do góry w celu wykonania pracy upewnić się, że stoi ono na stabilnej podstawie i nie przechyli się.
- Nie wolno wieszać narzędzia na ramieniu lub pasie podczas przemieszczania się z narzędziem, którego dysza jest nadal gorąca.

Mocno podeprzeć narzędzie podczas kierowania w górę dyszy nadmuchu gorącym powietrzem.

Można również podwieść narzędzie na przegubie itp., z wykorzystaniem linki zapobiegającej zrzuceniu narzędzia podczas pracy na wysokości itp.

3. Mocowanie dyszy (Rys. 4)

UWAGA

Natychmiast po użyciu dysza jest bardzo gorąca dlatego nie wolno jej dotykać.

WSKAZÓWKA

Uważać, aby nie upuścić dyszy.

Wymienić dyszę na taką, która nadaje się do pracy, która ma zostać wykonana.

Włożyć dostarczoną dyszę mocno i do oporu do dyszy wydmuchu gorącego powietrza.

4. Ustawienie temperatury

OSTRZEŻENIE

- Nie wolno stosować urządzenia w pobliżu substancji lotnych (rozpuszczalniki, benzyna itp.).
 - W czasie używania narzędzia nie wolno zbliżać dyszy wydmuchu gorącego powietrza do rąk lub twarzy.
- Natychmiast po użyciu dysza jest bardzo gorąca dlatego nie wolno jej dotykać.

Ustawić temperaturę stosownie do przedmiotu, który będzie podgrzewany.

Należy także zwrócić uwagę na materiał otoczenia, który będzie jednocześnie podgrzewany.

Najpierw podgrzewać gorącym powietrzem z pewnej odległości sprawdzając, czy podgrzewany produkt nie ulega zmianie, a następnie przybliżyć strumień powietrza, aż do uzyskania właściwej odległości.

Podgrzewanie materiałów łatwopalnych (papier, drewno, tworzywa sztuczne itp.)

Ustawić przełącznik w położeniu [I] i rozpocząć grzanie za pomocą dyszy ustawionej co najmniej 10 cm od przedmiotu ogrzewanego.

W celu nagrzania delikatnie przemieszczać końcówkę dyszy do góry, w dół, w lewo i w prawo.

Stałe kierowanie strumienia ciepłego powietrza w jedno miejsce może spowodować odkształcenie lub powstanie dymu.

Podgrzewanie materiałów niepalnych (metal, kamień, beton itp.)

Ustawić przełącznik w położeniu [I] i jeżeli nie ma problemów przestawić go w położenie [II].

Grzać za pomocą dyszy ustawionej co najmniej 5 cm od przedmiotu ogrzewanego.

Trzymanie dyszy zbyt blisko może spowodować przegrzanie narzędzia prowadzące do usterek.

PRZYKŁAD PRACY

OSTRZEŻENIE

Dostarczane części dysz są ostre dlatego podczas ich wyjmowania z futerału lub montażu albo demontażu i należy używać rękawic.

Wybrać dysze uwzględniając kształt przedmiotu, który będzie podgrzewany oraz obszar, który będzie podgrzewany.

1. Złuszczenie farby (Rys. 5)

W celu zmiękczenia farby gorącym powietrzem użyć dyszy (płaska) lub dyszy (okrągła), a następnie usunąć farbę za pomocą dostarczonego skrobaka.

Zwrócić uwagę na to, że zbyt mocne podgrzanie farby może spowodować jej przypieczenie i utwardzenie, co może utrudnić jej zeszkrobanie.

2. Zmiękczenie kleju (Rys. 6)

Użyć dyszy (płaska) lub dyszy (okrągła) w celu zmiękczenia powierzchni i ułatwienia odrywania, a następnie podważyć jedną z krawędzi, wdmuchać pod nią gorące powietrze i delikatnie oderwać tak, aby żaden klej nie pozostał.

3. Pakowanie na gorąco (Rys. 7)

Użyć dyszy (płaska) do podgrzania folii i rurek termokurczliwych. Materiał zmieni kolor lub popęka kiedy będzie nadmuchiwanie na niego gorące powietrze ze zbyt bliskiej odległości dlatego należy utrzymywać odpowiednią odległość podczas obserwacji postępu.

4. Kształtowanie rur z tworzywa sztucznego (Rys. 8)

Użyć dyszy (powierzchnia zakrzywiona) do równomiernego podgrzania obwodu rury z tworzywa sztucznego.

W celu zapobieżenia zwężeniu przekroju rury podczas zginania jej itp., wpaść do środka piasek blokując oba końce a następnie delikatnie wygiąć rurę.

5. Usuwanie kitu z ram okiennych (Rys. 9)

W celu zmiękczenia kitu gorącym powietrzem użyć dyszy (ochrona szkła), a następnie usunąć kit za pomocą dostarczonego skrobaka.

Pamiętać o tym, że jeżeli szkło będzie nagrzewane w sposób ciągły może popękać.

6. Rozmrażanie rur wodociągowych (Rys. 10)

Użyć dyszy (powierzchnia zakrzywiona) do podgrzania zamrożonego obszaru od krawędzi do środka. Nie wolno pomylić rur wodociągowych z rurami szklanymi.

Uważać, aby nie uszkodzić obszarów zamrożonego tworzywa sztucznego w rurach wodociągowych.

[Skuteczne korzystanie z przycisku szybkiego chłodzenia]

Nacisnąć przycisk szybkiego chłodzenia i nacisnąć przełącznik w celu nadmuchu ciepłego powietrza o temperaturze około 50 stopni Celsjusza dla każdego z przełączanych wydatków powietrza.

Służy to do szybkiego chłodzenia materiału, który jest pakowany w folię termokurczliwą i do chłodzenia dyszy, kiedy osiągnie ona wysoką temperaturę po użyciu opalarki.

KONSERWACJA I KONTROLA

1. Przegląd wkrętów montażowych

Regularnie sprawdzać wszystkie wkręty montażowe i zapewnić, że będą one odpowiednio dokręcone. Jeżeli któryś z wkrętów jest poluzowany, należy go natychmiast dokręcić. Niezastosowanie się do tego zalecenia może być przyczyną poważnego niebezpieczeństwa.

2. Konserwacja silnika elektrycznego

Uzwojenie silnika elektrycznego jest "sercem" narzędzia elektrycznego.

Należy uważać, aby do wlotu nie dostały się żadne ciała obce, olej lub woda.

3. Wymiana przewodu zasilającego

Jeżeli konieczna jest wymiana przewodu zasilającego może zostać na wykonana przez autoryzowany punkt serwisowy HiKOKI w celu uniknięcia narażenia bezpieczeństwa.

4. Czyszczenie obudowy zewnętrznej

Kiedy narzędzie zostanie zaplamione, wytrzeć je suchą miękką szmatką lub szmatką zwilżoną wodą z mydłem. Nie wolno używać środków na bazie chloru, benzyny ani rozpuszczalnika, gdyż powodują one topienie się tworzywa sztucznego.

5. Autoryzowany serwis firmy HiKOKI:

Odwiedź <https://hikoki-powertools.eu>, aby uzyskać adresy.

UWAGA

Podczas użytkowania i konserwacji narzędzi elektrycznych muszą być przestrzegane przepisy i standardy bezpieczeństwa.

GWARANCJA

Gwarancja na elektronarzędzia HiKOKI jest udzielana z uwzględnieniem praw statutowych i przepisów krajowych. Gwarancja nie obejmuje wad i uszkodzeń powstałych w wyniku niewłaściwego użytkowania lub wynikających z normalnego zużycia. W wypadku reklamacji należy dostarczyć kompletne elektronarzędzie do autoryzowanego centrum serwisowego HiKOKI wraz z KARTĄ GWARANCYJNĄ znajdującą się na końcu instrukcji obsługi.

WSKAZÓWKA

W związku z prowadzonym przez HiKOKI programem badań i rozwoju, specyfikacje te mogą się zmienić w każdej chwili bez uprzedzenia.

SZERSZÁMGÉPEKRE VONATKOZÓ ÁLTALÁNOS BIZTONSÁGI FIGYELMEZTETÉSEK

⚠ FIGYELEM

Olvasson el minden biztonsági figyelmeztetést és minden utasítást.

A figyelmeztetések és utasítások be nem tartása áramütést, tüzet és/vagy súlyos sérülést eredményezhet.

Őrizzon meg minden figyelmeztetést és utasítást a jövőbeni hivatkozás érdekében.

A "szerszámgép" kifejezés a figyelmeztetésekben a hálózatról működő (vezetékes) vagy akkumulátorról működő (vezeték nélküli) szerszámgépre vonatkozik.

1) Munkaterületi biztonság

a) Tartsa a munkaterületet tisztán és jól megvilágítva.

A telezsúfolt vagy sötét területek vonzzák a baleseteket.

b) Ne üzemeltesse a szerszámgépeket robbanásveszélyes atmoszférában, mint például gyúlékony folyadékok, gázok vagy por jelenlétében.

A szerszámgépek szikrákat keltenek, amelyek meggyújthatják a port vagy gőzöket.

c) Tartsa távol a gyermekeket és körülállókát, miközben a szerszámgépet üzemelteti.

A figyelemelvonás a kontroll elvesztését okozhatja.

2) Érintésvédelem

a) A szerszámgép dugaszoknak meg kell felelniük az aljzatnak.

Soha, semmilyen módon ne módosítsa a dugaszt.

Ne használjon semmilyen adapter dugaszt földelt szerszámgépekkel.

A nem módosított dugaszok és a megfelelő aljzatok csökkentik az áramütés kockázatát.

b) Kerülje a test érintkezését földelt felületekkel, mint például csövekkel, radiátorokkal, tűzhelyekkel és hűtőszekrényekkel.

Az áramütés kockázata megnövekszik, ha a teste földelre van.

c) Ne tegye ki a szerszámgépeket esőnek vagy nedves körülményeknek.

A szerszámgépbe kerülő víz növeli az áramütés kockázatát.

d) Ne rongálja meg a vezetékét. Soha ne használja a vezetékét a szerszámgép szállítására, húzására vagy kihúzására.

Tartsa távol a vezetékét a hőtől, olajtól, éles szegélyektől vagy mozgó alkatrészektől.

A sérült vagy összekuszálódott vezetékek növelik az áramütés kockázatát.

e) Szerszámgép szabadban történő üzemeltetése esetén használjon szabadtéri használatra alkalmas hosszabbító kábelt.

A szabadtéri használatra alkalmas kábel használata csökkenti az áramütés kockázatát.

f) Ha elkerülhetetlen a szerszámgép nyirkos helyen történő használata, használjon maradékáram-készülékkel (RCD) védett táplálást.

Az RCD használata csökkenti az áramütés kockázatát.

3) Személyi biztonság

a) Álljon készenlétben, figyelje, hogy mit tesz, és használja a józan eszt a szerszámgép üzemeltetésekor.

Ne használja a szerszámgépet fáradtan, kábítószert, alkoholt vagy gyógyszer befolyása alatt.

A szerszámgépek üzemeltetése közben egy pillanatnyi figyelmetlenség súlyos személyi sérülést eredményezhet.

b) Használjon személyi védőfelszerelést. Mindig viseljen védőszemüveget.

A megfelelő körülmények esetén használt védőfelszerelés, mint például a porálarc, nem csúszó biztonsági cipő, kemény sisak, vagy hallásvédő csökkenti a személyi sérüléseket.

c) Előzze meg a véletlen elindítást. Győződjön meg arról, hogy a kapcsoló a KI helyzetben van, mielőtt csatlakoztatja az áramforráshoz és/vagy az akkumulátorcsomaghoz, amikor felveszi vagy szállítja a szerszámgépet.

A szerszámgépek szállítása úgy, hogy az ujjja a kapcsolón van vagy a bekapcsolt helyzetű szerszámgépek áram alá helyezése vonzza a baleseteket.

d) Távolítson el minden állítókulcsot vagy csavarkulcsot, mielőtt bekapcsolja a szerszámgépet.

A szerszámgép forgó részéhez csatlakoztatva hagyott csavarkulcs vagy kulcs személyi sérülést eredményezhet.

e) Ne nyúljon át. Mindenkor álljon stabilan, és őrizze meg egyensúlyát.

Ez lehetővé teszi a szerszámgép jobb ellenőrzését váratlan helyzetekben.

f) Öltözzön megfelelően. Ne viseljen laza ruházatot vagy ékszert. Tartsa távol a haját, ruházatát és kesztyűjét a mozgó részektől.

A laza ruházat, ékszer vagy hosszú haj beakadhat a mozgó részekbe.

g) Ha vannak rendelkezésre bocsátott eszközök a porelszívó és gyűjtő létesítmények csatlakoztatásához, gondoskodjon arról, hogy ezek csatlakoztatva és megfelelően használva legyenek.

A porgyűjtő használata csökkentheti a porhoz kapcsolódó veszélyeket.

4) A szerszámgép használata és ápolása

a) Ne erőltesse a szerszámgépet. Használjon az alkalmazásához megfelelő szerszámgépet.

A megfelelő szerszámgép jobban és biztonságosabban végzi el a feladatot azon a sebességen, amelyre azt tervezték.

b) Ne használja a szerszámgépet, ha a kapcsoló nem kapcsolja azt be és ki.

Az a szerszámgép, amely a kapcsolóló nem vezérelhető, veszélyes és meg kell javítani.

c) Húzza ki a dugaszt az áramforrásból és/vagy az akkumulátorcsomagot a szerszámgépéből, mielőtt bármilyen beállítást végez, tartozékokat cserél vagy tárolja a szerszámgépeket.

Az ilyen megelőző biztonsági intézkedések csökkentik a szerszámgép véletlen beindulásának kockázatát.

d) A használaton kívüli szerszámgépeket tárolja úgy, hogy gyermekek ne érhessek el, és ne engedje meg, hogy a szerszámgépet vagy ezeket az utasításokat nem ismerő személyek üzemeltessék a szerszámgépet.

Képzetlen felhasználók kezében a szerszámgépek veszélyesek.

- e) A szerszámgépek karbantartása. Ellenőrizze a helytelen beállítás, a mozgó részek elakadása, alkatrészek törése és minden olyan körülmény szempontjából, amelyek befolyásolhatják a szerszám működését.

Ha sérült, használat előtt javíttassa meg a szerszámot.

Sok balesetet a rosszul karbantartott szerszámok okoznak.

- f) A vágószerszámokat tartsa élesen és tisztán. Az éles vágóélekkel rendelkező, megfelelően karbantartott vágószerszámok kevésbé valószínűleg akadnak el és könnyebben kezelhetők.

- g) A szerszámgép tartozékait és betétkéseit, stb. használja ezeknek az utasításoknak megfelelően, figyelembe véve a munkakörülményeket és a végzendő munkát.

A szerszámgép olyan műveletekre történő használata, amelyek különböznek a szándékoltaktól, veszélyes helyzetet eredményezhet.

5) Szervíz

- a) A szerszámgépét képesített javító személyvel szervizeltesse, csak azonos cserealkatrészek használatával.

Ez biztosítja, hogy a szerszámgép biztonsága megmaradjon.

VIGYÁZAT

Tartsa távol a gyermekeket és beteg személyeket.

Amikor nincs használatban, a szerszámokat úgy kell tárolni, hogy gyermekek és beteg személyek ne érhessek el.

HŐLÉGFÚVÓ BIZTONSÁGI ÓVINTÉZKEDÉSEK

FIGYELEM

1. Ez az eszköz nem alkalmas olyan személyek (beleértve gyerekek) általi használatra, akik csökkent fizikai-, érzékelő- vagy szellemi képességgel bírnak, vagy nem rendelkeznek kellő tapasztalattal és ismerettel, kivéve ha felügyelet vagy megfelelő iránymutatás mellett használják, melyet egy, a biztonságukért felelős személy biztosít.
2. A gyermekeket felügyelni kell, hogy ne játszanak az eszközzel.
3. Tűz keletkezhet, ha a szerszámot nem körültekintően használja, ezért: Legyen óvatos, amikor a készüléket gyúlékony anyagok környezetében használja.
Ne használja hosszú ideig egy helyen.
Ne használja robbanásveszélyes légkörben.

Tartsa szem előtt, hogy ez a hő hatással lehet éghető anyagokra, melyek nem láthatók.

Használat után helyezze az állványára, majd tárolás előtt hagyja kihűlni.

Használat közben ne hagyja felügyelet nélkül a készüléket.

4. Ne használja a szerszámot, és ne érintse a tápfeszültség dugót vizes kézzel.

Ennek figyelmen kívül hagyása áramütéshez vezethet.

5. Mindig ellenőrizze a munkaterületet a szerszám használata előtt, és ne használja, ha a biztonság nem megfelelő.

Ennek figyelmen kívül hagyása esetén, a nem látható területek (szekrény, mennyezet, padló, üreges területek) mögötti rejtett, gyúlékony anyagok meggyulladhatnak.

6. Ne álljon alá, amikor magasan elhelyezett területeken dolgozik.

Továbbá, ne akadjon be a tápfeszültség zsinór semmibe, és ne engedje húzni.

Ennek figyelmen kívül hagyása balesetekhez vezethet.

7. Ne irányítsa a forró levegőt emberek vagy állatok felé. Ne nézzen bele a fúvókába. Ne használja a gépet hajszáritóként semmilyen körülmények között.

Ennek figyelmen kívül hagyása balesethez vagy sérüléshez vezethet.

8. Vannak esetek, amikor műanyag, lakk vagy hasonló anyagok melegítésekor erősen mérgező gázok szabadulnak fel. A munkaterület legyen mindig jól szellőztetett, és viseljen porvédő maszkot.

9. Óvatosan melegítse a területet a hőlégfúvó fel, le, jobbra és balra mozgásával.

- Ha folyamatosan egy pontra irányítja a hőt, akkor az füst vagy tűz kitöréséhez vezethet.
10. Ha a szerszám véletlenül leesik, vagy megütődik, akkor ellenőrizze, hogy van-e rajta sérülés, törés vagy deformálódás.
A sérülés, törés és deformálódás sérüléshez vezethet.
 11. Azonnal hagyja abba a munkát, ha a szerszám nem működik megfelelően, vagy rendellenes zajokat vagy rezgéseket tapasztal, és egy hivatalos HiKOKI szervizközponttól kérje az átvizsgálást és a javítást.
Ha ilyen feltételekkel folytatja az üzemelést, akkor az sérüléshez vezethet.
 12. Ne hagyja magára a szerszámot, amikor be van kapcsolva. Ennek figyelmen kívül hagyása balesetekhez vezethet.
 13. Ha használat közben a villamos ellátás megszakad (pl. kijött a tápkábel, a megszakító leesett, áramszünet állt be), és a hőlégfúvó ventilátor leállt, kérjük, állítsa a kapcsolót OFF állásba.
Ha a kapcsoló ON helyzetben maradt a villamos ellátás megszakadásakor, a ventilátor újraindulása tüzet okozhat.
3. Ne használja doboz vagy fiók belsejében vagy egyéb zárt térben.
Ha folyamatosan egy pontra irányítja a hőt, akkor az füst vagy tűz kitöréséhez vezethet.
 4. A fúvóka legyen legalább 5 cm távolságra a melegített területtől munka közben. Továbbá, ne fedje le, és semmilyen módon ne akadályozza a fúvókát.
Ennek figyelmen kívül hagyása a hőlégfúvó túlmelegedését eredményezhet, ami működési hibát okozhat.
 5. Ne kapcsolgassa többször be és ki a szerszámot. Továbbá, ne működtesse a szerszámot feltekert vagy összezsavart tápfeszültség kábellel.
Ennek figyelmen kívül hagyása működési hibát okozhat.
 6. Ne irányítsa a forró levegő fúvókát lefelé rögtön a használat után.
Ennek figyelmen kívül hagyása a szerszám túlmelegedését eredményezheti, ami működési hibát okozhat.

VIGYÁZAT

1. A mellékelt fúvóka alkatrészei élesek, ezért használjon kesztyűt, amikor kiveszi a dobozból, és a felszereli vagy leszereli.
2. A forrólevegő fúvóka, a fúvóka csúcsa és a melegített anyag közvetlenül a melegítés után rendkívül forró, ezért használjon kesztyűt, és közvetlenül ne érintse azokat.

MŰSZAKI ADATOK

Tápfeszültség	Típus	50Hz és 60Hz frekvenciájú, egyfázisú árammal is használható.		
	Feszültség	110 V	120 V – 127 V	220 V – 240 V
	Névleges elektromos áram	12,9 A	12,2 A	8,8 A
Névleges teljesítményfelvétel		1375 W	1500 W	2000 W
Kapacitás	Levegő mennyiség	0,25 m ³ /perc – 0,5 m ³ /perc (2-fokozatú kapcsoló)		
	Levegő hőmérséklet	250 – 500°C 2-fokozatú kapcsoló 50°C (Amikor a hűtőgombot használja.)	350 – 500°C 2-fokozatú kapcsoló 50°C (Amikor a hűtőgombot használja.)	450 – 600°C 2-fokozatú kapcsoló 50°C (Amikor a hűtőgombot használja.)
Motor típus		Egyenáramú motor		
Súly		0,57 Kg		

SZABVÁNY KIEGÉSZÍTŐK

- ① Fúvóka (kerek).....1
- ② Fúvóka (lapos).....1
- ③ Fúvóka (íves felszín).....1
- ④ Fúvóka (üvegvédő).....1
- ⑤ Kaparó (markolattal)1
- ⑥ Doboz1

A szabvány kiegészítők minden külön figyelmeztetés nélkül módosulhatnak.

ALKALMAZÁSI TERÜLETEK

- Festék lehámozása
- Ragasztó lágyítása
- Gitt eltávolítása ablakkeretből
- Műgyanta csövek formázása
- Műanyag hegesztése
- Zsugorcsonmagolás hőre zsugorodó fóliával.
- Olvasztás
- Szárítási munka
- Kiolvasztási munka

HASZNÁLAT ELŐTT

1. Tápfeszültség forrás

Győződjön meg róla, hogy a használni kívánt tápfeszültség forrás megfelel a termék névtábláján meghatározott követelményeknek.

2. Tápfeszültség kapcsoló

Ellenőrizze, hogy a tápfeszültség kapcsoló KI van kapcsolva.

Ha a hálózati dugót úgy csatlakoztatja a hálózati aljzatba, hogy a tápfeszültség kapcsoló BE (ON) van kapcsolva, akkor a a szerszám azonnal működni kezd, ami súlyos sérüléshez vezethet.

3. Hosszabbító kábel

Ha a munkaterület messze van a tápfeszültség forrástól, használjon elegendő vastagságú és az áramfelvételnél megfelelő hosszabbítót. A hosszabbító kábel legyen a lehető legrövidebb.

ALAP FUNKCIÓK

1. Működtető kapcsolók és hőmérséklet beállítás (1, 2. ábra)

Nyomja a kapcsolót felfelé vagy lefelé a folyamatos működtetéshez, ekkor elveheti az ujját és a szerszám tovább működik.

Nyomja meg gyengén a kidudorodást, ekkor a kapcsoló visszatér középső helyzetbe, és a tápfeszültség kikapcsol.

A kapcsolók különféle beállításával két fokozatban állítható a hőmérséklet és a szállított levegő mennyisége.

Kapcsoló [I] pozíció:

- 110 V: 250 °C (levegő mennyiség 0,25 m³)
- 120 V – 127 V: 350 °C (levegő mennyiség 0,25 m³)
- 220 V – 240 V: 350 °C (levegő mennyiség 0,25 m³)

Kapcsoló [II] pozíció:

- 110 V – 127 V: 500 °C (levegő mennyiség 0,5 m³)
- 220 V – 240 V: 600 °C (levegő mennyiség 0,5 m³)

Nyomja meg a gyorshűtő gombot, és nyomja meg a kapcsolót, amivel kb. 50 fok Celsius hőmérsékletű levegőt fúj minden levegő mennyiségnél.

Ez használható a hőre lágyuló anyagok gyors hűtésére, valamint a fúvóka hűtésére, ha munka közben nagyon felmelegedett.

2. A kámpó használata (3. ábra)

VIGYÁZAT

- A munkadarab legyen stabil, feldőlés mentes helyen, amikor a szerszámot felé irányítja.
- Ne akassza a szerszámot a csuklójára vagy a derekára, amikor munkahelyzetet vált és a fúvóka még forró.

Határozottan tartsa a szerszámot, amikor a forró levegő fúvókát felfelé irányítja.

Továbbá, ajánlatos a szerszámot a csuklóra, stb. felfüggeszteni, hogy le ne essen, amikor magas helyen stb. dolgozik.

3. A fúvóka felszerelése (4. ábra)

VIGYÁZAT

A fúvókát nagyon forró közvetlenül a használat után, ezért ne érintse.

MEGJEGYZÉS

Óvatosan kezelje, ne ejtse le a fűvókát.

Olyan fűvókát szereljen fel, ami legjobban illik az elvégzendő feladathoz.

Nyomja a mellékelt fűvókát a forró levegő fűvókára, amíg nem megy tovább.

4. Hőmérséklet beállítása

FIGYELEM

- Ne használja a szerszámot gyúlékony anyagok közelében (oldószer, benzin, stb.)
- Ne érintse munka közben a forró levegő fűvókát a kezéhez vagy az arcához.
A fűvókát nagyon forró közvetlenül a használat után, ezért ne érintse.

Állítsa be a hőmérsékletet a melegítendő munkadarabnak megfelelően.

Figyeljen a környező anyagokra is, melyek munka közben szintén felmelegednek.

Először nagyobb távolságból fújja a forró levegőt, miközben figyeli, hogyan változik a melegített felület, majd vigye közelebb, amíg el nem éri a megfelelő távolságot.

Gyúlékony anyagok melegítése
(papír, fa, műanyag, stb.)

Állítsa a kapcsolót [I] helyzetbe, és legalább 10 cm távolságból fújja a forró levegőt a melegítendő munkadarabra.

A fűvókát óvatosan mozgatva fel, le, balra és jobbra vigye fel a felületre a hőt.

Ha folyamatosan egy pontra irányítja a hőt, akkor az torzuláshoz vagy füst kitéréséhez vezethet.

Nem gyúlékony anyagok melegítése
(fém, kő, beton, stb.)

Állítsa a kapcsolót [I] helyzetbe, majd ha nem jelentkezik probléma, állítsa [II] helyzetbe.

Legalább 5 cm távolságból fújja a forró levegőt a fűvókával a melegítendő munkadarabra.

Ha a fűvókát túl közel tartja, a szerszám túlmelegedhet, ami működési hibát okozhat.

ALKALMAZÁSI PÉLDA

VIGYÁZAT

A mellékelt fűvókák alkatrészei élesek, ezért használjon kesztyűt, amikor kiveszi a dobozból, és a felszereli vagy leszereli azokat.

A melegítendő munkadarabnak és a felületnek megfelelően válasszon fűvókát.

1. Festék lehántása (5. ábra)

Használja a (lapos) vagy (kerek) fűvókát a festék meglágyításához forró levegővel, majd távolítsa el a festéket a mellékelt kaparóval.

Ne feledje, ha túlzottan felmelegíti, a festék megperzselődik, bekeményedik, és nehezebb lesz lekaparni.

2. Ragasztó lágyítása (6. ábra)

Használja a (lapos) vagy a (kerek) fűvókát a felület meglágyítására, és a könnyebb leválasztására, majd emelje fel az egyik sarkot, fújjon meleg levegőt alá, és óvatosan fejtse le úgy, hogy ne maradjon rajta ragasztó.

3. Hőzsugorítás (7. ábra)

Használja a lapos fűvókát a zsugorfóliák és zsugorcsovék melegítésére. Az anyag elszineződik vagy felreped, ha a forró levegőt túl közelről fűjják rá, tehát tartson megfelelő távolságot, miközben figyeli a folyamatot.

4. Műganta csövek formázása (8. ábra)

Használja a (íves felületű) fűvókát a műganta cső körkörös melegítésére.

A cső hajlítás közbeni szűkülésének, stb. megelőzése érdekében, öntsön homokot a csőbe, zárja le mindkét végét, és óvatosan hajlítsa.

5. Gitt eltávolítása ablakkeretből (9. ábra)

Használja az (üvegvédő) fűvókát a gitt meglágyításához forró levegővel, majd távolítsa el a gittet a mellékelt kaparóval.

Ne feledje, az üveg megrepedhet, ha folyamatos hő éri.

6. Vízcsovék jégtelenítése (10. ábra)

Használja az (íves felületű) fűvókát a fagyott terület melegítésére a szélek felől a közepe felé haladva. Ne tévessze össze az vízcövet az üveg csővel!

Kerülje a vízcsovék fagyott gyanta részeinek károsítását.

[Használja hatékonyan a gyorshűtő gombot]

Nyomja meg a gyorshűtő gombot, és nyomja meg a kapcsolót, amivel kb. 50 fok Celsius hőmérsékletű levegőt fúj minden levegő mennyiségnél.

Ez használható a hőre lágyuló anyagok gyorshűtésére, valamint a fűvóka hűtésére, ha hőlégfűvő használata közben nagyon felmelegedett.

KARBANTARTÁS ÉS ELLENŐRZÉS

1. Az szerelőcsavarok vizsgálata

Rendszeresen ellenőrizze az összes csavart, legyenek megfelelően meghúzva. Ha bármelyik csavar meglazult, húzza azt meg azonnal. Ennek elmulasztása súlyosan veszélyes helyzeteket idézhet elő.

2. A motor karbantartása

A motoregység tekercs a szerszám "szíve", a legfontosabb alkatrésze.

Akadályozza meg, hogy bármilyen idegen anyag, olaj vagy víz a bemeneti nyílásba kerüljön.

3. A tápfeszültség kábel cseréje

Ha szükségessé válik a tápfeszültség kábel cseréje, ezt egy hivatalos HiKOKI szervizközpontnak kell elvégeznie, a biztonsági kockázat elkerülése érdekében.

4. A kéziszerszám külső tisztítása

Ha a szerszám piszkos lett, törölje le puha száraz ruhával, vagy egy szappanos vízzel nedvesített ruhával. Ne használjon klóros oldatokat, benzint vagy festékhígítót, mivel ezek szétmarhatják a műanyagot.

5. Hivatalos HiKOKI Szervizközpont:

Lásd a címeiket a <https://hikoki-powertools.eu> weboldalon.

FIGYELEM

A kéziszerszámok üzemeltetése és karbantartása során be kell tartani az adott országban érvényes biztonsági előírásokat és szabványokat.

GARANCIA

A HiKOKI Power Tools szerszámokra a törvényes/ országos előírásoknak megfelelő garanciát vállalunk. A garancia nem vonatkozik a helytelen vagy nem rendeltetésszerű használatból, továbbá a normál mértékűnek számító elhasználódásból, kopásból származó meghibásodásokra, károokra. Reklamáció esetén kérjük, küldje el a - nem szétszerelt - szerszámot a kezelési útmutató végén található GARANCIA BIZONYLATTAL együtt a hivatalos HiKOKI szervizközpontba.

MEGJEGYZÉS

A HiKOKI folyamatos kutatási és fejlesztési programja következtében az itt szereplő műszaki adatok előzetes bejelentés nélkül változhatnak.

OBECNÁ VAROVÁNÍ TÝKAJÍCÍ SE BEZPEČNOSTI EL. PŘÍSTROJE

⚠ UPOZORNĚNÍ

Přečtěte si všechna varování týkající se bezpečnosti a všechny pokyny.

Nedodržení těchto varování a pokynů může mít za následek elektrický šok, požár a/nebo vážné zranění.

Všechna varování a pokyny si uschovejte. V budoucnu se vám mohou hodit.

Pojem „elektrický nástroj“ v těchto varováních se vztahuje k vašemu elektrickému nástroji napájenému ze sítě (se šňůrou) nebo napájenému z baterie (bez šňůry).

1) Bezpečnost na pracovišti

a) Udržujte vaše pracoviště čisté a dobře osvětlené.

V důsledku nepořádku nebo tmy dochází k nehodám.

b) Neprovazujte elektrické nástroje ve výbušném ovzduší, např. v přítomnosti hořlavých kapalin, plynů či prachu.

Elektrické nástroje produkují jiskry, které by mohly zapálit prach anebo plyny.

c) Během práce s elektrickým nástrojem zabraňte přístupu dětí a přihlížejících osob.

Rozptýlování by mohlo způsobit ztrátu vaší kontroly nad nástrojem.

2) Elektrická bezpečnost

a) Zástrčka elektrického nástroje musí odpovídat zásuvce.

Nikdy se nepokoušejte zástrčku jakkoli upravovat.

U uzemněných elektrických nástrojů nepoužívejte žádné rozbočovací zásuvky.

Neupravené zástrčky a odpovídající zásuvky sniží nebezpečí elektrického šoku.

b) Zabraňte kontaktu s uzemněnými povrchy jako jsou trubky, radiátory, sporáky a lednice.

Je-li uzemněné vaše tělo, existuje zvýšené nebezpečí elektrického šoku.

c) Nevystavujte elektrický nástroj dešti nebo vlhkým podmínkám.

Voda, která vnikne do elektrického nástroje, zvýší nebezpečí elektrického šoku.

d) Zacházejte správně s napájecí šňůrou. Nikdy šňůru nepoužívejte k přenášení, tahání nebo odpojování elektrického nástroje ze zásuvky. Umístěte napájecí šňůru mimo působení horka, mimo olej, ostré hrany nebo pohybující se části.

Poškozené nebo zamotané šňůry zvyšují nebezpečí elektrického šoku.

e) Během provozu elektrického nástroje venku používejte prodlužovací šňůru vhodnou k venkovnímu použití.

Použití šňůry vhodné k venkovnímu použití snižuje nebezpečí elektrického šoku.

f) Pokud je použití elektrického nástroje na vlhkém místě nevyhnutelné, použijte napájení s ochranným zařízením na zbytkový proud.

Použití zařízení na zbytkový proud snižuje riziko elektrického šoku.

3) Osobní bezpečnost

a) Buďte pozorní, sledujte, co děláte a při práci s elektrickým nástrojem používejte zdravý rozum.

Elektrický nástroj nepoužívejte, jste-li unaveni nebo pod vlivem drog, alkoholu nebo léků.

Jediný okamžik nepozornosti při práci s elektrickým nástrojem může způsobit vážné zranění.

b) Používejte osobní ochranné pracovní pomůcky. Vždy noste ochranu očí.

Ochranné pracovní pomůcky jako respirátor, bezpečnostní obuv s protiskluzovou podrážkou, ochranná přilba nebo ochrana sluchu použité v příslušných podmínkách sniží možnost zranění.

c) Zabraňte nechtěnému spuštění. Před připojením ke zdroji napájení a/nebo bateriového zdroje, zvedáním nebo přenášením elektrického nástroje se ujistěte, že je spínač v poloze vypnuto.

Nošením elektrických nástrojů s prstem na vypínači nebo jejich aktivací s vypínačem v poloze zapnuto vzniká nebezpečí úrazu.

d) Před zapnutím elektrického nástroje odstraňte seřizovací klíč.

Klíč ponechaný připevněný k rotující části elektrického nástroje může způsobit zranění.

e) Nepřehánějte to. Vždy si udržujte správné postavení a stabilitu.

To umožní lepší kontrolu nad elektrickým nástrojem v nepředvídaných situacích.

f) Noste správný oděv. Nenoste volné oblečení ani šperky. Vlasy, oděv a rukavice udržujte mimo pohybující se části.

Volný oděv, šperky nebo dlouhé vlasy mohou být vtaheny do pohybujících se částí.

g) Pokud jsou k dispozici zařízení k připojení přístrojů k odsávání a sběru prachu, ujistěte se, že jsou připojena a správně používána.

Použitím zařízení ke sběru prachu lze snížit rizika související s prachem.

4) Používání a péče o elektrický nástroj

a) Netlačte na elektrický nástroj. Používejte vždy vhodný elektrický nástroj pro danou aplikaci.

Správný elektrický nástroj provede daný úkol lépe a bezpečněji, rychleji, pro jakou byl zkonstruován.

b) Nepoužívejte elektrický nástroj, pokud nefunguje jeho zapínání a vypínání pomocí vypínače.

Jakýkoli elektrický nástroj, který nelze ovládat vypínačem, je nebezpečný a musí být opraven.

c) Před prováděním jakéhokoli seřízení, před výměnou příslušenství nebo uskladněním elektrických nástrojů vždy nejprve odpojte zástrčku ze zdroje napájení a/nebo odpojte bateriový zdroj.

Taková preventivní opatření snižují nebezpečí nechtěného spuštění elektrického nástroje.

d) Nepoužívané elektrické nástroje skladujte mimo dosah dětí a nedovoďte, aby s elektrickým nástrojem pracovali osoby, které nejsou seznámeny s ním nebo s pokyny k jeho používání.

Elektrické nástroje v rukou nevyškolených uživatelů jsou nebezpečné.

e) Udržujte elektrické nástroje. Kontrolujte případná vychýlení nebo sevržení pohybujících se částí, poškození částí a jakékoli ostatní podmínky, které mohou mít vliv na provoz elektrických nástrojů.

V případě poškození nechte elektrický nástroj před jeho dalším použitím opravit.

Mnoho nehod vzniká v důsledku nesprávné údržby elektrických nástrojů.

f) Udržujte řezací nástroje ostré a čisté.

Správně udržované řezací nástroje s ostrými řeznými hranami se méně pravděpodobně zaseknou a lépe se ovládají.

g) Elektrický nástroj, příslušenství, vsazené části atd. používejte v souladu s těmito pokyny. Berte přitom zřetel na pracovní podmínky a prováděnou práci.

Použití elektrického nástroje k jinému než určenému účelu může způsobit nebezpečnou situaci.

5) Servis

a) Servis vašeho elektrického nástroje svěřte kvalifikovanému opraváři, který použije pouze identické náhradní díly.

Tak bude i nadále zajištěna bezpečnost elektrického nástroje.

PREVENTIVNÍ OPATŘENÍ

Nedovoďte přístup dětem a slabomyslným osobám.

Pokud nástroje nepoužíváte, měli byste je skladovat mimo dosah dětí a slabomyslných osob.

BEZPEČNOSTNÍ OPATŘENÍ PŘI POUŽITÍ HORKOVZDUŠNÉ PISTOLE

UPOZORNĚNÍ

1. Tento nástroj není určen pro použití osobami (včetně dětí) se sníženými fyzickými, smyslovými nebo mentálními schopnostmi nebo s nedostatkem zkušeností a znalostí, pokud nejsou pod dozorem odpovědné osoby nebo pokud jim osoba odpovědná za jejich bezpečnost neposkytlá poučení o používání nástroje.
2. Děti by měly být pod dohledem, aby se zajistilo, že si s nástrojem nebudou hrát.
3. Pokud se nástroj nepoužívá opatrně, může dojít k požáru, proto:
Budte opatrní při používání nástroje na místech, kde jsou hořlavé materiály.
Neprovádějte aplikaci na stejné místo po dlouhou dobu.
Nepoužívejte nástroj v místech s výskytem výbušné atmosféry.
Mějte na paměti, že může dojít k odvedení tepla na hořlavé materiály, které jsou mimo vaše zorné pole.
Po použití umístěte nástroj na stojan a před uskladněním jej nechte řádně vychladnout.

Během používání nenechávejte nástroj bez obsluhy ani bez dozoru.

4. Nepoužívejte nástroj a nedotýkejte se napájecí zástrčky mokřkýma rukama. Při nedodržení těchto pokynů může dojít k úrazu elektrickým proudem.
5. Před použitím si vždy zkontrolujte pracovní prostor a nelze-li zajistit bezpečnost, nařadí nepoužívejte. Při nedodržení těchto pokynů může dojít ke vznícení skrytých nebo zakrytých předmětů (skříně, stropy, podlahy, duté prostory).
6. Při používání ve výšce nestůjte pod nářadím.
Rovněž nenechte zachytit napájecí kabel za žádné předměty a používejte jej tak, aby nebyl silně napnutý. Při nedodržení těchto pokynů může dojít k nehodě.
7. Nemířte tok horkého vzduchu přímo na osoby nebo na zvířata. Nedívejte se do trysky. Za žádných okolností nepoužívejte nařadí jako vysoušeč vlasů. Při nedodržení těchto pokynů může dojít k nehodě nebo úrazu.
8. V některých případech se při použití na plastech, laku nebo podobných materiálech může uvolňovat vysoce jedovatý plyn.
Vždy zajistěte, aby byl pracovní prostor plně větrán a používejte protiprachovou masku.
9. Teplu aplikujte lehce, pohyby horkovzdušnou pistolí nahoru, dolů, doleva a doprava.
Při stálém míření na jedno místo může dojít ke vzniku kouře nebo požáru.
10. Pokud došlo k náhodnému pádu nebo nárazu, zkontrolujte, zda není nářadí poškozené, rozbité nebo deformované. Poškození, rozbití a deformace mohou způsobit úraz.

11. V případě nesprávné funkce, neobvyklých zvuků nebo vibrací okamžitě ukončete provoz a vyžádejte si kontrolu a opravu u Autorizovaného střediska společnosti HiKOKI.
Budete-li pokračovat v provozu, může dojít k úrazu.
12. Nevzdalujte se od zapnuté jednotky. Při nedodržení těchto pokynů může dojít k nehodě.
13. Pokud během používání nástroje dojde k přerušení elektrického proudu (např. dojde k vytažení zástrčky, spadne jistič, dojde k výpadku proudu...) a ventilátor horkovzdušné pistole se zastaví, přepněte spínač do polohy VYPNUTO. Pokud ponecháte spínač v poloze ZAPNUTO a dojde k obnovení elektrického napájení, může opětovné spuštění ventilátoru způsobit požár.
3. Nepoužívejte nářadí uvnitř krabic, skříní a jiných uzavřených prostor.
Při stálém míření na jedno místo může dojít ke vzniku kouře nebo požáru.
4. Při provozu zajistěte, aby byla tryska vzdálena nejméně 5 cm od ohřívaného předmětu. Rovněž nezakrývejte ani jinak neblokujte trysku.
Při nedodržení těchto pokynů může dojít k přehřátí pistole a následným poruchám.
5. Nezapínejte a nevypínejte nářadí opakovaně. Nepoužívejte nářadí, pokud je napájecí kabel složený nebo zkroucený.
Při nedodržení těchto pokynů může dojít k poruše.
6. Těsně po použití nemiřte tryskou horkého vzduchu dolů.
Při nedodržení těchto pokynů může dojít k přehřátí nářadí a následným poruchám.

POZOR

1. Části dodané trysky jsou ostré, proto při jejím vyjímání z pouzdra a při nasazování či snímání používejte rukavice.
2. Tryska horkého vzduchu, konec trysky a ohřívaný materiál jsou během používání nářadí a těsně po použití velmi horké, proto používejte rukavice a nedotýkejte se přímo těchto částí.

SPECIFIKACE

Napájení	Typ	Lze napájet jednofázovým proudem 50 Hz i 60 Hz.		
	Napětí	110 V	120 V až 127 V	220 V až 240 V
	Jmenovitý proud	12,9 A	12,2 A	8,8 A
Vstupní příkon		1375 W	1500 W	2000 W
Kapacita	Objem vzduchu	0,25 m ³ /min až 0,5 m ³ /min (2 stupňový spínač)		
	Teplota toku vzduchu	250 – 500°C 2 stupňový spínač 50°C (Pokud se použije tlačítko chlazení.)	350 – 500°C 2 stupňový spínač 50°C (Pokud se použije tlačítko chlazení.)	450 – 600°C 2 stupňový spínač 50°C (Pokud se použije tlačítko chlazení.)
Typ motoru		Motor na stejnosměrný proud		
Hmotnost		0,57 Kg		

STANDARDNÍ PŘÍSLUŠENSTVÍ

①	Tryska (kulatá).....	1
②	Tryska (plochá).....	1
③	Tryska (zakřivená).....	1
④	Tryska (s ochranou skla).....	1
⑤	Škrabka (s držadlem).....	1
⑥	Pouzdro.....	1

Standardní příslušenství podléhá změnám bez předešlého upozornění.

POUŽITÍ

- Odstraňování nátěrů
- Změkčování lepících pásek
- Odstraňování sklenářského kytu z okenních rámu
- Tvarování plastového potrubí
- Sváření plastů
- Tepelné balení tepelně smršťovací fólií.
- Pájení
- Vysoušení
- Rozmrazování

PŘED OBSLUHOU

1. Zdroj energie

Zajistěte, aby používaný zdroj energie odpovídal nárokům na napájení uvedeným na štítku produktu.

2. Hlavní vypínač

Zkontrolujte, zda je hlavní vypínač ve vypnuté poloze. Pokud se zástrčka zapojí do zásuvky při zapnutém hlavním vypínači, nářadí se okamžitě spustí, což může způsobit vážný úraz.

3. Prodlužovací kabel

Pokud je pracovní prostor mimo dosah zdroje napájení, použijte prodlužovací kabel dostatečného průřezu a jmenovité kapacity. Prodlužovací kabel by měl být co nejkratší.

ZÁKLADNÍ FUNKCE

1. Funkce spínače a nastavení teploty (Obr. 1, 2)

Stisknutím spínače nahoru nebo dolů lze zajistit nepřetržitý provoz i při sundání prstu ze spínače.

Mírným stisknutím lze vrátit spínač do středové polohy a vypnout tak napájení.

Teplotu a objem toku vzduchu lze nastavit ve dvou úrovních, v závislosti na směru nastavení spínače.

Poloha spínače [I]:

- 110 V: 250 °C (objem vzduchu 0,25 m³)
- 120 V až 127 V: 350 °C (objem vzduchu 0,25 m³)
- 220 V až 240 V: 350 °C (objem vzduchu 0,25 m³)

Poloha spínače [II]:

- 110 V až 127 V: 500 °C (objem vzduchu 0,5 m³)
- 220 V až 240 V: 600 °C (objem vzduchu 0,5 m³)

U každého z objemů toku vzduchu určených spínačem lze stisknutím tlačítka rychlého ochlazení a stisknutím spínače foukat vzduch o teplotě přibližně 50 °C.

Tento postup se používá k rychlému ochlazení materiálu, který se teplem deformuje, a k ochlazení trysky, pokud tato dosáhne vysoké teploty po používání nářadí.

2. Použití háku (Obr. 3)

POZOR

- Pokud při práci míříte nářadím směrem nahoru, zajistěte, aby bylo umístěno na stabilním podkladu, který se nenaklání.
- Nenechte nářadí viset na zápěstí nebo u pasu, pokud se s ním přemísťujete a tryska nářadí je ještě horká.

Pokud směřujete trysku horkého vzduchu nahoru, nářadí pevně podepřete.

Rovněž lze nářadí pověsit na řemínek kolem zápěstí, aby se zamezilo upadnutí při práci na vyvýšených místech apod.

3. Připevnění trysky (Obr. 4)

POZOR

Tryska je těsně po použití velmi horká, nedotýkejte se jí tedy.

POZNÁMKA

Dbejte, aby vám tryska neupadla.

Nasad'te trysku, která je vhodná pro plánovanou práci.

Dodanou trysku pevně nasad'te až na doraz na trysku horkého vzduchu.

4. Nastavení teploty

UPOZORNĚNÍ

- Nepoužívejte nářadí v blízkosti těkavých látek (ředidlo, benzín apod.).
 - Během práce nesměřujte trysku horkého vzduchu do blízkosti rukou nebo obličeje.
- Tryska je těsně po použití velmi horká, nedotýkejte se jí tedy.

Nastavte teplotu podle ohříváního předmětu.

Věnujte pozornost i okolnímu materiálu, který se bude rovněž zahřívát.

Nejprve aplikujte horký vzduch z určité vzdálenosti a kontrolujte, zda nedochází ke změnám zahříváního předmětu. Pak pistolí přibližujte, dokud nedosáhnete odpovídající vzdálenosti.

Zahřívání hořlavých látek (papír, dřevo, plasty apod.)

Nastavte spínač do polohy [I] a aplikujte teplo tryskou ve vzdálenosti nejméně 10 cm od zahříváního předmětu.

Teplo aplikujte mírným pohybováním konce trysky nahoru, dolů, doleva a doprava.

Stálou aplikací tepla na jedno místo může dojít k deformaci nebo vzniku kouře.

Zahřívání nehořlavých látek (kov, kámen, beton apod.)

Nastavte spínač do polohy [I] a pokud nedochází k žádným problémům, posuňte jej do polohy [II].

Aplikujte teplo s tryskou nejméně 5 cm od ohříváního předmětu.

Při držení trysky příliš blízko může dojít k přehřátí nářadí a následným poruchám.

PŘÍKLAD PRÁCE

POZOR

Části dodaných trysek jsou ostré, proto při jejich vyjímání z pouzdra a při nasazování či snímání používejte rukavice.

Vyberte trysku s ohledem na tvar zahřívávaného předmět a zahřívávaného prostoru.

1. Odstraňování nátěrů (Obr. 5)

Pomocí ploché trysky nebo kulaté trysky změkčete horkým vzduchem nátěr a poté jej odstraňte dodanou škrabkou.

Pozor, příliš velkým zahřátím nátěru může dojít ke spálení a ztvrdnutí nátěru, který bude obtížné seškrabat.

2. Změkčování lepicích vrstev (Obr. 6)

Pomocí ploché nebo kulaté trysky změkčete povrch, který bude možné snadno seškrábnout, a poté odlepte jeden z konců, směrujte horký vzduch pod materiál a opatrně odlepujte tak, aby nezůstalo žádné lepidlo.

3. Tepelné balení (Obr. 7)

K zahřívání smršťovacích fólií a rukávů při tepelném balení použijte plochou trysku. Pokud budete aplikovat horký vzduch na materiál z blízkosti, změní se jeho barva nebo se naruší. Je tedy nutné zachovávat odpovídající vzdálenost a zároveň sledovat vývoj.

4. Tvarování plastového potrubí (Obr. 8)

Pomocí trysky (zakřivená) rovnoměrně nahřejte po celém obvodu plastovou trubku. Chcete-li zamezit zúžení vnitřního průměru při ohýbání trubky, nasypte dovnitř trubky písek, ucpěte oba konce a pak ji lehce ohýbejte.

5. Odstraňování sklenářského kytu z okenních ráků (Obr. 9)

Pomocí trysky s ochranou skla změkčete horkým vzduchem kyt a poté jej odstraňte dodanou škrabkou. Pozor, pokud bude na sklo působit nepřetržitě teplo, může prasknout.

6. Rozmrazování vodovodních trubek (Obr. 10)

Pomocí trysky (zakřivená) zahřívějte zmrzlou oblast od kraje do středu. Nezaměňujte vodovodní trubky za skleněné trubky.

Dbejte, abyste nepoškodili oblasti zmrzlého plastu vodovodních trubek.

[Účinné používání tlačítka rychlého ochlazení]

U každého z objemů toku vzduchu určených spínačem lze stisknutím tlačítka rychlého ochlazení a stisknutím spínače foukat vzduch o teplotě přibližně 50 °C.

Tento postup se používá k rychlému ochlazení materiálu, který se teplem deformuje, a k ochlazení trysky, pokud tato dosáhne vysoké teploty po používání horkovzdušné pistole.

ÚDRŽBA A KONTROLA

1. Kontrola montážních šroubů

Pravidelně kontrolujte všechny montážní šrouby a zajistěte jejich řádné utažení. V případě, že jsou některé šrouby povolené, okamžitě je dotáhněte. V případě zanedbání hrozí vážné nebezpečí.

2. Údržba motoru

Vinutí motoru je skutečným „srdцем“ nářadí.

Zamezte vniknutí cizích předmětů, oleje nebo vody do otvoru sání.

3. Výměna přívodního kabelu

Pokud je nutné vyměnit přívodní kabel, z důvodu zamezení bezpečnostnímu riziku světe tuto operaci Autorizovanému středisku společnosti HiKOKI.

4. Údržba povrchu

Pokud se nářadí potřísní, otřete je měkkým suchým hadříkem nebo hadříkem zvlhčeným mýdlovou vodou. Nepoužívejte chlorová rozpouštědla, benzín ani ředidlo, jelikož tyto látky rozpouštějí umělé hmoty.

5. Autorizované servisní středisko HiKOKI:

Pro adresy viz <https://hikoki-powertools.eu>.

POZOR

Při obsluze a údržbě elektrických zařízení musí být dodržovány bezpečnostní předpisy a normy platné v každé zemi, kde je výrobek používán.

ZÁRUKA

Ručíme za to, že elektrické nářadí HiKOKI splňuje zákonné/místně platné předpisy. Tato záruka nezahrnuje závady nebo poškození vzniklé v důsledku nesprávného použití, hrubého zacházení nebo normálního opotřebení. V případě reklamace zašlete prosím elektrické nářadí v nerozebraném stavu společně se ZÁRUČNÍM LISTEM připojeným na konci těchto pokynů pro obsluhu do autorizovaného servisního střediska firmy HiKOKI.

POZNÁMKA

Vlivem stále pokračujícího výzkumného a vývojového programu HiKOKI mohou zde uvedené parametry podléhat změnám bez předchozího upozornění.

GENEL ELEKTRİKLİ ALET GÜVENLİK UYARILARI

⚠ DİKKAT

Tüm güvenlik uyarılarını ve tüm talimatları okuyun. Uyarılara ve talimatlara uyulmaması elektrik çarpmasına, yangına ve/veya ciddi yaralanmaya neden olabilir.

Bu kılavuzu gelecekte başvurmak üzere saklayın.

Uyarılarda kullanılan "elektrikli alet" terimi, şebeke elektrikleğiyle çalışan (kablolu) veya pille çalışan (kablesiz) elektrikli aletinizi belirtir.

1) Çalışma alanının güvenliği

a) Çalışma alanı temiz ve iyi aydınlatılmış olmalıdır.

Dağınık veya karanlık alanlar kazalara davetiye çıkarır.

b) Elektrikli aletleri yanıcı sıvı, gaz veya toz patlayıcı maddelerin bulunduğu ortamlarda çalıştırmayın.

Elektrikli aletlerin çıkardığı kıvılcımlar toz veya gaz halindeki bu maddeleri ateşleyebilir.

c) Bir elektrikli aletle çalışırken çocukları ve izleyicileri uzaklaştırın.

Dikkatinizin dağılması kontrolü kaybetmenize neden olabilir.

2) Elektrik güvenliği

a) Elektrikli aletin fişi elektrik prizine uygun olmalıdır.

Fişi herhangi bir şekilde değiştirmeyin.

Topraklanmış elektrikli aletlerle herhangi bir adaptör kullanmayın.

Fişlerde değişiklik yapılmaması ve uygun prizlerde kullanılması elektrik çarpmaya riskini azaltacaktır.

b) Borular, radyatörler, fırınlar ve buzdolapları gibi topraklanmış yüzeylerle gövde temasından kaçının.

Vücudunuzun toprakla temasa geçmesi halinde elektrik çarpmaya riski artar.

c) Elektrikli aletleri yağmura veya ıslak ortamlara maruz bırakmayın.

Elektrikli alete su girmesi elektrik çarpmaya riskini artıracaktır.

d) Elektrik kablosuna zarar vermeyin. Elektrikli aleti taşımak, çekmek veya fişini prizden çıkarmak için kabloyu kullanmayın.

Kabloyu ısıdan, yağdan, keskin kenarlardan veya hareketli parçalardan uzak tutun.

Hasar görmüş veya dolaşmış kablolar elektrik çarpmaya riskini artırır.

e) Elektrikli aleti açık alanda kullanırken, açık alanda kullanıma uygun bir uzatma kablosu kullanın.

Açık alanda kullanıma uygun bir kablo kullanılması elektrik çarpmaya riskini azaltır.

f) Eğer bir elektrikli aletin ıslak bir yerde kullanılması kaçınılmaz ise, artık akım cihazıyla (RCD) korunan bir güç kaynağı kullanın.

RCD kullanılması elektrik çarpmaya riskini azaltır.

3) Kişisel emniyet

a) Bir elektrikli alet kullanırken daima tetikte olun; yaptığınız işi izleyin ve sağduyulu davranın.

Aleti yorgunken, alkol veya ilaç etkisi altındayken kullanmayın.

Elektrikli aletleri kullanırken göstereceğiniz bir anlık dikkatsizlik ciddi yaralanmaya sonuçlanabilir.

b) Kişisel koruyucu donanım kullanın. Daima koruyucu gözlük takın.

Uygun koşullar için kullanılan toz maskesi, kaymaz emniyet ayakkabıları, kask veya kulak koruyucu gibi koruyucu ekipmanlar yaralanmaları azaltacaktır.

c) Aletin istenmeden çalışmasını engelleyin. Aleti güç kaynağına ve/veya akü ünitesine bağlamadan, kaldırmadan veya taşımadan önce, güç düğmesinin kapalı konumda olduğundan emin olun.

Elektrikli aletleri parmağınızın güç düğmesinin üzerinde olarak taşımanız veya güç düğmesi açılmış durumda fişini takmanız kazalara davetiye çıkarır.

d) Aletin gücünü açmadan önce alet üzerindeki ayar veya somun anahtarlarını çıkarın.

Aletin dönen parçalarından birine bağlı kalan bir somun anahtarı veya ayar anahtarı yaralanmaya yol açabilir.

e) Çok fazla yaklaşmayın. Uygun bir adım mesafesi bırakın ve sürekli olarak dengeyi koruyun.

Böylece, beklenmedik durumlarda aleti daha iyi kontrol etmeniz mümkün olur.

f) Uygun şekilde giyinin. Bol elbiseler giymeyin ve takı eşyaları takmayın. Saçlarınızı, elbisenizi ve eldivenlerinizi hareketli parçalardan uzak tutun.

Bol elbiseler, takılar veya uzun saçlar hareketli parçalara takılabilir.

g) Eğer toz çekme ve toplama bağlantıları için gerekli aygıtlar sağlanmışsa, bunların bağlı olduğundan ve doğru şekilde kullanıldığından emin olun.

Toz toplama kullanımı, tozla ilişkili tehlikeleri azaltabilir.

4) Elektrikli aletin kullanımı ve bakımı

a) Elektrikli aleti zorlamayın. Yapacağınız iş için doğru alet kullanın.

Doğru alet, işinizi daha iyi ve tasarlanmış olduğu hız değerinde daha güvenli şekilde yapacaktır.

b) Elektrikli alet güç düğmesinden açılıp kapanmıyorsa, aleti kullanmayın.

Güç düğmesiyle kontrol edilemeyen bir alet tehlikelidir ve tamir edilmeden kullanılmamalıdır.

c) Herhangi bir ayar yapmadan, aksesuarları değiştirmeden veya aleti saklamadan önce fişi güç kaynağından ve/veya akü ünitesinden sökün.

Bu koruyucu güvenlik önlemleri, elektrikli aletin kazayla çalışma riskini azaltır.

d) Atıl durumdaki elektrikli aletleri çocukların ulaşamayacağı bir yerde saklayın ve elektrikli alet ve bu kullanım talimatları hakkında bilgi sahibi olmayan kişilerin aleti kullanmasına izin vermeyin.

Elektrikli aletler eğitimsiz kullanıcıların elinde tehlikelidir.

e) Elektrikli aletin bakımını yapın. Hareketli parçalarda yanlış hizalanma veya sıkışma olup olmadığını, kırık parça olup olmadığını ve elektrikli aletin çalışmasını etkileyebilecek diğer koşulları kontrol edin.

Eğer hasar varsa, kullanmadan önce aleti tamir ettirin.

Kazaların çoğu elektrikli aletlere kötü bakım işlemleri uygulanmasından kaynaklanmaktadır.

f) Aletleri keskin ve temiz tutun.

Uygun şekilde bakımı yapılan, keskin kenarlara sahip aletlerin sıkışma ihtimali daha azdır ve kontrol edilmesi daha kolaydır.

- g) Yanlış kullanım koşullarında aküden sıvı çıkışı olabilir; temas etmekten kaçının. Kazayla sıvıya temas edilmesi durumunda suyla yıkayın. Sıvının gözlere temas etmesi halinde, ayrıca bir doktora başvurun. Aküden fışkıran su tahriş veya yanıklara neden olabilir.

5) Servis

- a) Elektrikli aletinizin servisini sadece orijinal yedek parçalar kullanmak suretiyle uzman bir tamirciye yaptırın. Böylece, elektrikli aletin güvenli kullanımını sağlanacaktır.

ÖNLEM

Çocukları ve zayıf kişileri uzak tutun.

Alet, kullanılmadığı zamanlarda çocukların ve zayıf kişilerin ulaşamayacağı bir yerde saklanmalıdır.

ISI TABANCASI GÜVENLİK UYARILARI

DİKKAT

1. Bu alet, güvenliklerinden sorumlu bir kişi tarafından kullanıma ilişkin gözetim veya talimatlar verilmediği sürece fiziksel, duyuşsal veya zihinsel yetenekleri düşük kişiler veya deneyim ve bilgiden yoksun kişiler (çocuklar dahil) tarafından kullanım için tasarlanmamıştır.
2. Çocuklar aletle oynamadıklarından emin olunmak için gözetilmelidir.
3. Eğer alet dikkatli kullanılmazsa yangın çıkabilir, bu nedenle:
Aleti yanıcı maddelerin bulunduğu yerlerde kullanırken dikkatli olun. Aynı yere uzun süre uygulamayın. Patlayıcı bir atmosfer varlığında kullanmayın. Isının göz önünde olmayan yanıcı maddelere iletilebileceğinin farkında olun. Kullandıktan sonra standına yerleştirin ve saklamadan önce soğumasını bekleyin. Aleti kullanımdayken gözetimsiz bırakmayın.

4. Aleti ıslak elle kullanmayın, elektrik fişine ıslak elle dokunmayın. Aksi halde elektrik çarptırabilir.
5. Aleti kullanmadan önce çalışma alanını kontrol edin ve güvenlik sağlanamıyorsa aleti kullanmayın. Bu uyarıya uyulmaması, görünmeyen alanların (dolaplar, tavanlar, zeminler, delikli alanlar vs.) içinde veya arkasında gizli kalmış alev alır ürünlerin ateşlenmesine neden olabilir.
6. Aleti yüksek konumlarda kullanırken aletin altında durmayın. Ayrıca, elektrik kablosunu bir cisimle sıkıştırmayın, çekmeyin. Aksi halde kazalar oluşabilir.
7. Sıcak rüzgarı insan ve hayvanlara yöneltmeyin. Ağızlığın içerisine bakmayın. Asla bir saç kurutma makinesi olarak kullanmayın. Aksi halde kazalar veya yaralanmalar meydana gelebilir.
8. Plastik, lake veya benzeri malzemeler üzerinde kullanılması durumunda yüksek derecede toksik gaz yayılabilen durumlar söz konusudur. Çalışma alanının iyi havalandırılmasını sağlayın ve mutlaka toza karşı koruyucu maske kullanın.
9. Isı Tabancasını yukarı, aşağı, sağa ve sola hareket ettirirken çok az ısı uygulayın. Sürekli tek bir konuma doğrultulması yangın veya duman çıkmasına neden olabilir.
10. Kazayla yere düşmesi veya darbeye maruz kalması halinde aleti hasara, çatlamaya veya şekil bozulmasına karşı kontrol edin. Hasar, çatlamalar veya şekil bozulması yaralanmaya neden olabilir.

11. Aletin düzgün çalışmaması veya tuhaf sesler duymanız ya da titreşimler hissetmeniz halinde çalışmaya hemen ara verin ve aletin incelenip gerekiyorsa onarılması için Yetkili HiKOKI Servis Merkezi'ne başvurun.
Kullanmaya devam etmeniz yaralanmalara yol açabilir.
12. Açılana kadar üniteden uzaklaşmayın. Aksi halde kazalar oluşabilir.
13. Kullanım sırasında elektrik kesilirse (örn. elektrik fişi çıkarsa, kesici düşerse, elektrik kesintisi olursa..) ve ısı tabancası fanı durursa, lütfen düğmeyi KAPALI konuma getirin. Güç devam ettiğinde anahtar AÇIK konumda kalmışsa, fanın yeniden başlaması yangına neden olabilir.
3. Kutuların, çekmecelerin veya diğer muhafazalı alanların içinde kullanmayın. Sürekli tek bir konuma doğrultulması yangın veya duman çıkmasına neden olabilir.
4. Aleti kullanırken, ağızlığın ısıtmakta olan üründen en az 5 cm uzak durmasını sağlayın. Ayrıca, ağızlığın üzerini örtmeyin veya engellemeyin. Aksi halde Isı Tabancası aşırı ısınabilir ve buna bağlı olarak arızalanabilir.
5. Aleti arka arkaya açıp kapatmayın. Aleti bükülmüş veya katlanmış elektrik kablosuyla kullanmayın. Aksi halde arızalar meydana gelebilir.
6. Isı-rüzgâr üfleme ağızlığını, kullandıktan hemen sonra aşağı yönde doğrultmayın. Aksi halde alet aşırı ısınabilir ve buna bağlı olarak arızalanabilir.

UYARI

1. Ürünle verilen ağızlığın parçaları keskindir; bu nedenle, bunları çantadan çıkarırken veya takıp sökerken çok dikkatli olun.
2. Aletin kullanılması sırasında ve kullanımdan hemen sonra, sıcak rüzgâr üfleme ağızlığı, ağızlığın ucu ve ısıtılan malzeme son derece sıcaktır. Bunlara temas ederken mutlaka eldiven kullanın, çıplak elle dokunmayın.

TEKNİK ÖZELLİKLER

Güç kaynağı	Tür	50 Hz ve 60 Hz monofaze akımla kullanılabilir.		
	Gerilim	110 V	120 V ila 127 V	220 V ila 240 V
Güç girişi	Nominal elektrik akımı	12,9 A	12,2 A	8,8 A
		1375 W	1500 W	2000 W
Kapasite	Rüzgâr hacmi	0,25 m ³ /dak ila 0,5 m ³ /dak (2 kademeli anahtar)		
	Rüzgâr sıcaklığı	250 – 500°C 2 kademeli anahtar 50°C (Soğutma düğmesi kullanıldığında.)	350 – 500°C 2 kademeli anahtar 50°C (Soğutma düğmesi kullanıldığında.)	450 – 600°C 2 kademeli anahtar 50°C (Soğutma düğmesi kullanıldığında.)
Motor tipi	Doğrudan akım motoru			
Ağırlık	0,57 Kg			

STANDART AKSESUARLAR

① Ağızlık (yuvarlak).....	1
② Ağızlık (düz).....	1
③ Ağızlık (kavisli yüzey).....	1
④ Ağızlık (cam koruyucu).....	1
⑤ Kazıyıcı (elcikli).....	1
⑥ Çanta.....	1

Standart aksesuarlar haber vermeden değiştirilebilir.

UYGULAMALAR

- Boya kazıma
- Yapıştırıcı madde yumuşatma
- Pencere çerçevelerindeki macunu çıkarma
- Reçine borulara şekil verme
- Plastik kaynaklama
- Isı büzüşmeli film kullanarak ısı ambalajlama.
- Lehimleme
- Kurutma işi
- Buz çözme işleri

ALETİ ÇALIŞTIRMADAN ÖNCE**1. Güç kaynağı**

Kullanılacak güç kaynağının, ürünün isim plakasında belirtilen güç gerekliliklerini karşıladığından emin olun.

2. Güç anahtarı

Güç anahtarının KAPALI konumunda olduğundan emin olun.

Güç anahtarı AÇIK konumundayken fiş prize takılırsa elektrikli alet hemen çalışmaya başlar ve ciddi kazalara neden olabilir.

3. Uzatma kablosu

Çalışma alanı güç kaynağından uzaktaysa, yeterli kalınlığa ve nominal kapasiteye sahip bir uzatma kablosu kullanın. Uzatma kablosu olabildiğince kısa tutulmalıdır.

TEMEL İŞLEVLER**1. Anahtar İşlevleri ve Sıcaklık Ayarlamaları (Şek. 1, 2)**

Parmağınızı kaldırdığınızda bile kesintisiz çalışma temin etmek için anahtara yukarı veya aşağı basın.

Anahtarı orta konuma getirmek için çıkıntıya hafifçe basın ve gücü kapatın.

Rüzgar sıcaklığı ve rüzgâr hacmi, hangi anahtarın ayarlı olduğuna bağlı olarak iki kademe halinde ayarlanabilir.

Anahtar [I] konumu:

- 110 V: 250 °C (rüzgar hacmi 0,25 m³)
- 120 V ila 127 V: 350 °C (rüzgar hacmi 0,25 m³)
- 220 V ila 240 V: 350 °C (rüzgar hacmi 0,25 m³)

Anahtar [II] konumu:

- 110 V ila 127 V: 500 °C (rüzgar hacmi 0,5 m³)
- 220 V ila 240 V: 600 °C (rüzgar hacmi 0,5 m³)

Her bir anahtar konumunun rüzgâr hacimleri için yaklaşık 50°C sıcaklıkta hava üfleme için hızlı soğutma düşmesine ve anahtara basın.

Bu işlev, ısıtma ambalajlama sırasında malzemeyi, alet kullanıldıktan sonra yüksek sıcaklıklara ulaştığında ise ağızlığı hızlıca soğutmak için kullanılır.

2. Kancanın kullanılması (Şek. 3)**UYARI**

- Aleti çalışmak için yukarı doğrulttuğunuz zaman, devrilmeye neden olmayacak sağlam bir zeminde durduğunu teyit edin.
- Ağızlık hâlâ sıcak halde doluyorken aleti belinizden veya bileğinizden asmayın.

Isı-rüzgar üfleme ağızlığını yukarı doğrulturken aleti sıkıca destekleyin.

Ayrıca, yüksek yerlerde vs. çalışırken yere düşmesini önlemek amacıyla bir kablo kullanarak aleti bileğinizden de asabilir.

3. Ağızlığın takılması (Şek. 4).**UYARI**

Kullanımdan hemen sonra ağızlık çok sıcaktır; dokunmayın.

NOT

Ağızlığı yere düşürmeyin.

Yapacağınız işe uygun bir ağızlık takın.

Ağızlığı, sıcak rüzgar üfleme ağızlığının içine olabildiğince sıkı bir şekilde takın.

4. Sıcaklık Ayarları**DİKKAT**

- Aleti uçucu maddelerin (tiner, benzin vs.) yakınında kullanmayın.
 - Kullanım sırasında sıcak rüzgar üfleme ağızlığını ellerinize veya yüzünüze yaklaştırmayın.
- Kullanımdan hemen sonra ağızlık çok sıcaktır; dokunmayın.

Sıcaklığı, ısıtılacak malzemeyi dikkate alarak belirleyin.

Ayrıca, aynı anda ısıtılacak çevredeki malzemeleri de dikkate alın.

İlk olarak, ısıtılan üründe hiçbir değişiklik olmayacak biçimde belli bir uzaklıktan sıcak rüzgar üfleyin, ardından uygun mesafeye kadar ürüne yaklaşın.

Alev alır maddelerin ısıtılması

(ahşap, kağıt, plastik vs.)

Anahtarı [I] konumuna getirin ve ağızlığı ısıtılacak üründen en az 10 cm uzakta tutarak ısı uygulamaya başlayın.

Isıyı uygularken ağızlığı yavaşça yukarı, aşağı, sağa ve sola oynatın.

Isıyı sürekli aynı noktaya uygulamak şekil bozulmalarına veya duman çıkmasına neden olabilir.

Alev almaz maddelerin ısıtılması

(metal, taş, beton vs.)

Anahtarı [I] konumuna getirin ve herhangi bir sorun yoksa [II] konumuna getirin.

Ağızlığı, ısıtılan malzemeye en az 5 cm uzaktan tutarak ısı uygulayın.

Ağızlığı çok yakından tutmanız halinde alet aşırı ısınabilir ve buna bağlı olarak arızalanabilir.

ÇALIŞMA ÖRNEĞİ

UYARI

Ürünle verilen ağızlıkların parçaları keskindir; bu nedenle, bunları çantadan çıkarırken veya takip sökerken çok dikkatli olun.

Isıtılacak ürünün şeklini ve ısıtılacak alanı dikkate alarak uygun bir ağızlık seçin.

1. Boya kazıma (Şek. 5)

Boyayı sıcak rüzgarla yumuşatmak için düz veya yuvarlak ağızlığı kullanın ve ardından ürünle birlikte verilen kazıyıcıyı kullanarak boyayı kazıyın.

Boyanın çok fazla ısıtılması kavrulmasına ve sertleşmesine neden olarak kazınmasını güçleştirebilir.

2. Yapıştırıcı madde yumuşatma (Şek. 6)

Yüzeyi yumuşatmak için düz veya yuvarlak ağızlığı kullanın ve soyulması kolay bir hale getirin. Ardından kenarlardan birini yukarı doğru kaldırın, alt kısmından ısı uygulayın ve hiç yapıştırıcı kalmayacak biçimde yapıştırıcıyı yavaşça soyun.

3. Isıyla ambalajlama (Şek. 7)

Düz ağızlığı kullanarak ısı büzüşmeli filmi ve boruları ısıtın. Yüzeyle çok yakından sıcak hava üflenmesi halinde malzemenin rengi değişebilir ya da malzeme çatlayabilir; bu nedenle, işlemin nasıl ilerlediğini dikkatle takip ederek uygun mesafeden ısı uygulayın.

4. Reçine borulara şekil verme (Şek. 8)

Reçine borunun çevresini eşit biçimde ısıtmak için (kavisli yüzey) ağızlığı kullanın.

Bükme vs. sırasında borunun iç kısmının daralmasını önlemek için, iç kısma kum dökün, her iki ucunu da kapatın ve yavaşça bükün.

5. Pencere çerçevelerindeki macunu çıkarma (Şek. 9)

Macunu ısıyla yumuşatmak için cam koruyucu ağızlığı kullanın ve ürünle birlikte verilen kazıyıcıyı kullanarak macunu giderin.

Kesintisiz olarak ısı uygulanması halinde camın çatlayabileceğini unutmayın.

6. Su borularında buz çözme (Şek. 10)

Donmuş bölgeyi kenardan merkeze doğru ısıtmak için (kavisli yüzey) ağızlığı kullanın. Su boruları ile cam boruları karıştırmayın.

Su borularındaki donmuş reçine kısımlara hasar vermemeye özen gösterin.

[Hızlı Soğutma Düğmesinin Etkin Biçimde Kullanılması]

Her bir anahtar konumunun rüzgâr hacimleri için yaklaşık 50°C sıcaklıkta hava üfleme için hızlı soğutma düğmesine ve anahtara basın.

Bu işlem, ısıtma ile ambalajlama sırasında malzemeyi, ısı Tabancası kullanıldıktan sonra yüksek sıcaklıklara ulaştığında ise ağızlığı hızlıca soğutmak için kullanılır.

BAKIM VE MUAYENE

1. Montaj vidalarının incelenmesi

Tüm montaj vidalarını düzenli olarak inceleyin ve doğru sıklıklarında teyit edin. Gevşeyen vida varsa derhal sıkın. Aksi halde, ciddi tehlikeye yol açabilir.

2. Motor bakımı

Motor ünitesinin bobini, elektrikli aletin adeta "can damarıdır".

Hava girişi içerisine herhangi bir yabancı cismin, yağ veya suyun kaçmasını önleyin.

3. Elektrik kablosunun değiştirilmesi

Elektrik kablosunun değiştirilmesi gerekiyorsa, güvenlikle ilgili risklerin önlenmesi için mutlaka Yetkili HiKOKI Servis Merkezi'ne başvurun.

4. Aletin dışının temizlenmesi

Alet kirlenmişse, yumuşak bir kuru bezle veya sabunlu suyla hafifçe nemlendirilmiş bir bezle silin. Plastik kısımları eritebileceği için, klorlu çözümler, benzin veya boya ıccelticisi (tiner) kullanmayın.

5. HiKOKI yetkili servis merkezi:

Adresler için <https://hikoki-powertools.eu> adresine bakın.

UYARI

Ağır iş aletlerinin kullanımı ve bakımı konusunda her ülkede yürürlükte olan güvenlik düzenlemelerine ve standartlarına uygun davranılmalıdır.

GARANTİ

HiKOKI Elektrikli El Aletlerine ülkelere özgü hukuki düzenlemeler çerçevesinde garanti vermekteyiz. Bu garanti, yanlış veya kötü kullanım, normal aşınma ve yıpranmadan kaynaklanan arıza ve hasarları kapsamamaktadır. Şikayet durumunda, Elektrikli El Aleti, sökülmemiş bir şekilde, bu kullanım kılavuzunun sonunda bulunan GARANTİ BELGESİYLE birlikte bir HiKOKI yetkili servis merkezine gönderilmelidir.

NOT

HiKOKI'nin süregelen araştırma ve geliştirme programına bağlı olarak burada belirtilen teknik özelliklerde önceden bildirimde bulunulmadan değişiklik yapılabilir.

AVERTISMENTE GENERALE PRIVIND SIGURANȚA ÎN FOLOSIREA SCULEI ELECTRICE

⚠ AVERTISMENT

Citiți toate avertismentele privind siguranța și toate instrucțiunile.

Nerespectarea avertismentelor și a instrucțiunilor poate avea ca efect producerea de șocuri electrice, incendii și/sau vătămări grave.

Păstrați toate avertismentele și toate instrucțiunile, pentru a le putea consulta pe viitor.

Termenul "sculă electrică" prezent în toate avertismentele de mai jos se referă la scula dumneavoastră electrică alimentată la priză (cu cablu de alimentare) sau la scula electrică alimentată de la acumulatori (fără cablu de alimentare).

1) Siguran, a Ōn zona de lucru

- a) **Păstrați zona de lucru curată și bine luminată.**
Zonele de lucru dezordonate și întunecate predispun la accidente.
- b) **Nu utilizați sculele electrice în atmosferă explozivă, cum ar fi în prezența lichidelor, gazelor sau a prafurilor inflamabile.**
Sculele electrice produc scânteii care pot aprinde praful sau aburii.
- c) **Țineți copiii sau privitorii la distanță în timp ce utilizați scula electrică.**
Distragerea atenției vă poate face să pierdeți controlul asupra sculei.

2) Siguranța din punct de vedere electric

- a) **Ștecărele sculelor electrice trebuie să se potrivească în prizele în care sunt introduse.**
Nu modificați niciodată ștecărul în nici un fel. Nu folosiți niciun fel de adaptoare pentru ștecar la sculele electrice cu împământare (legate la pământ).
Ștecărele nemodificate și prizele potrivite reduc riscul de șoc electric.
- b) **Evitați contactul corpului cu suprafețele legate la pământ, cum ar fi conductele, radiatoarele, cuptoarele și frigiderele.**
În cazul în care corpul dvs. este legat la pământ există un risc crescut de electrocutare.
- c) **Nu expuneți sculele electrice la ploaie și nu le lăsați în atmosferă umedă.**
Intrarea apei într-o sculă electrică mărește riscul de electrocutare.
- d) **Nu forțați cablul de alimentare. Nu folosiți niciodată cablul de alimentare pentru a transporta, a trage sau a scoate scula electrică din priză.**
Țineți cablul de alimentare departe de căldură, ulei, muchi ascuțiți și de piese în mișcare. Cablurile de alimentare deteriorate sau încolăcite măresc riscul de șoc electric.
- e) **Atunci când folosiți o sculă electrică în aer liber, folosiți un prelungitor adecvat pentru utilizarea în exterior.**
Folosirea unui prelungitor adecvat pentru exterior reduce riscul de șoc electric.
- f) **Dacă utilizarea într-o zonă umedă nu poate fi evitată, folosiți o sursă de alimentare cu întrerupător de protecție la curent rezidual (RCD).**
Folosirea dispozitivelor RCD reduce riscul producerii șocurilor electrice.

3) Siguranța personală

- a) **Atunci când folosiți o sculă electrică fiți vigilenți, fiți atent la ceea ce faceți și acționați conform bunului simț.**
Nu folosiți scule electrice atunci când sunteți obosit sau vă aflați sub influența drogurilor, a alcoolului sau a medicamentelor.
Un moment de neatenție în timpul utilizării unei scule electrice poate provoca vătămări personale grave.
 - b) **Folosiți echipament personal de protecție. Purtați întotdeauna protecție a ochilor.**
Echipamentele de protecție cum ar fi măștile pentru praf, încălțămintea anti-alunecare, căștile și protecțiile auditive, folosite în situațiile corespunzătoare, reduc vătămările personale.
 - c) **Evitați pornirea accidentală. Înainte de a conecta scula la priză și/sau la bateria de acumulatori și înainte de a ridica sau transporta scula, asigurați-vă că aveți comutatorul de pornire pe poziția oprit.**
Transportarea sculelor electrice cu degetul pe comutator sau introducerea în priză a sculelor electrice care au comutatorul pe poziția pornit sunt situații ce predispun la accidente.
 - d) **Înainte de a pune scula electrică în funcțiune, îndepărtați toate cheile de reglare și orice alte chei.**
O cheie sau o cheie de reglare rămase atașate de piesa rotativă a sculei electrice poate provoca vătămări personale.
 - e) **Nu încercați să ajungeți prea departe. Mențineți permanent un contact corect al piciorului și un bun echilibru.**
Acest lucru permite un mai bun control al sculei electrice în situații neașteptate.
 - f) **Îmbrăcați-vă adecvat. Nu purtați haine largi și nici bijuterii. Țineți-vă părul, hainele și mânușile departe de piesele în mișcare.**
Hainele largi, bijuteriile și pot fi prinse în piesele în mișcare.
 - g) **Dacă sunt prevăzute dispozitive de conectare la facilități de extragere și colectare a prafului, asigurați-vă că acestea sunt conectate și sunt folosite corespunzător.**
Folosirea acestor dispozitive poate reduce pericolele legate de praf.
- #### 4) Utilizarea și îngrijirea sculei electrice
- a) **Nu forțați scula electrică. Folosiți scula adecvată pentru aplicația dvs.**
Scula potrivită va face treabă mai bună și mai sigură la parametrii la care a fost proiectată.
 - b) **Nu folosiți scula electrică în cazul în care comutatorul nu își îndeplinește funcția de pornire și oprire.**
Sculele electrice care nu pot fi comandate prin intermediul comutatorului sunt periculoase și trebuie reparate.
 - c) **Înainte de a face orice fel de reglaje, de a schimba accesoriile și de a depozita sculele electrice, scoateți ștecarul din priză și/sau de la bateria de acumulatori.**
Aceste măsuri preventive de siguranță reduc riscul pornirii accidentale a sculei electrice.
 - d) **Depozitați sculele electrice neutilizate departe de zona de acțiune a copiilor și nu lăsați persoanele care nu sunt familiarizate cu scula electrică sau cu prezentele instrucțiuni să folosească scula electrică.**

Sculele electrice sunt periculoase în mâinile utilizatorilor neinstruiți.

- e) **Întrețineți sculele electrice. Verificați alinierea și prinderea pieselor în mișcare, ruperea pieselor precum și toate celelalte aspecte care ar putea să influențeze funcționarea sculelor electrice.**

Dacă scula electrică este deteriorată, înainte de a o utiliza duceți-o la reparat.

Multe accidente sunt provocate de scule electrice necorespunzător întreținute.

- f) **Păstrați elementele de tăiere curate și ascuțite.**

Elementele de tăiere bine întreținute și cu muchiile tăietoare bine ascuțite sunt mai ușor de controlat și este mai puțin probabil să se agațe.

- g) **Folosiți scula electrică, accesoriile și vârfurile etc. în conformitate cu prezentele instrucțiuni, luând în considerare condițiile de lucru și operațiunile ce urmează a fi efectuate.**

Folosirea sculei electrice pentru alte operațiuni decât cele prevăzute poate avea ca efect apariția unor situații periculoase.

5) Service

- a) **Scula electrică trebuie reparată de o persoană calificată, folosind numai piese de schimb identice.**

Astfel se asigură menținerea siguranței sculei electrice.

PRECAUȚIE

Țineți copiii și persoanele infirme la distanță.

Atunci când nu este folosită, scula electrică trebuie depozitată departe de zona de acțiune a copiilor și a persoanelor infirme.

AVERTISMENTE DE SIGURANȚĂ PRIVIND PISTOLUL CU AER CALD

AVERTISMENT

1. Această sculă nu este destinată utilizării de către persoane (inclusiv copii) cu capacități fizice, senzoriale sau mentale reduse sau fără experiență și cunoștințe, cu excepția cazului în care sunt supravegheate sau instruite cu privire la utilizarea sculei de către o persoană responsabilă pentru siguranța lor.
2. Copii trebuie să fie supravegheați pentru a se asigura că nu se joacă cu scula.
3. Se poate produce un incendiu dacă scula nu este folosită cu grijă, prin urmare:
Aveți grijă când folosiți scula în locuri unde există materiale combustibile.

Nu aplicați în același loc o perioadă lungă de timp.

Nu utilizați în prezența unei atmosfere explozive.

Aveți grijă întrucât căldura poate fi condusă către materialele combustibile care nu sunt vizibile.

Așezați-o pe suportul său după utilizare și urmăriți să se răcească înainte de depozitare.

Nu lăsați scula nesupravegheată în timpul utilizării.

4. Nu utilizați scula sau atingeți ștecherul cu mâinile ude.

Nerespectarea acestei recomandări poate cauza șocuri electrice.

5. Înainte de utilizare, verificați întotdeauna zona de lucru și nu utilizați scula dacă siguranța nu poate fi garantată.

Nerespectarea acestei recomandări poate cauza aprinderea articolelor inflamabile neobservate în zonele ascunse sau aflate în spatele acestora (cutii, tavane, podele, zone adâncite).

6. Nu stați dedesubt când utilizați scula în locuri la înălțime.

De asemenea, nu prindeți cablul de alimentare de nimic și nu permiteți să fie tras.

Nerespectarea acestei recomandări poate cauza accidente.

7. Nu îndreptați aerul cald direct spre oameni sau animale. Nu priviți în duză. A nu se utiliza ca uscător de păr în nicio împrejurare.

Nerespectarea acestei recomandări poate cauza accidente sau leziuni.

8. Există cazuri în care se va emite gaz foarte toxic dacă se utilizează pe plastic, lac sau materiale asemănătoare.

Asigurați-vă întotdeauna că zona de lucru este complet ventilată și purtați o mască de protecție împotriva prafului.

9. Aplicați căldura încet, în timp ce deplasați pistolul cu aer cald în sus, în jos, la stânga și la dreapta. Îndreptarea constantă spre un singur loc poate cauza emiterea de fum sau izbucnirea unui incendiu.
10. Dacă scula cade în mod accidental sau este supusă unui impact, verificați dacă s-a deteriorat, crăpat sau deformat. Deteriorarea, crăpăturile și deformarea pot cauza leziuni.
11. Încetați imediat utilizarea în cazul în care scula nu funcționează corespunzător sau dacă observați zgomote sau vibrații anormale și contactați Centrul de servicii autorizate HiKOKI pentru a solicita verificări și reparații. Utilizarea continuă poate cauza leziuni.
12. Nu vă îndepărtați de unitate în timp ce aceasta este pornită. Nerespectarea acestei recomandări poate cauza accidente.
13. Dacă în timpul utilizării electricitatea este întreruptă (de exemplu, ștecărul a ieșit, disjunctorul a sărit, s-a produs o pană de curent...) și ventilatorul pistolului cu aer cald s-a oprit, treceți comutatorul pe poziția OFF (OPRIT). În cazul în care comutatorul este lăsat pe poziția ON (PORNIT) în momentul reluării alimentării cu curent, repornirea ventilatorului poate provoca incendiu.

PRECAUȚIE

1. Componentele duzei furnizate sunt ascuțite; așadar, utilizați mănuși când le scoateți din cutie și când le atașați sau le desprindeți.
2. Duza pentru ieșirea aerului cald, vârful duzei și materialul care a fost încălzit sunt extrem de fierbinți în timpul utilizării sculei și imediat după aceasta; așadar, utilizați mănuși și evitați să le atingeți direct.
3. A nu se utiliza în cutii, sertare sau alte spații închise. Îndreptarea constantă spre un singur loc poate cauza emiterea de fum sau izbucnirea unui incendiu.
4. Când utilizați scula, asigurați-vă că duza se află la o distanță de cel puțin 5 cm față de obiectul încălzit. De asemenea, nu acoperiți sau blocați duza în alt fel. Nerespectarea acestei recomandări poate cauza supraîncălzirea pistolului cu aer cald, ducând la defecțiuni.
5. Nu porniți și opriți scula în mod repetat. De asemenea, nu utilizați scula cu cablul de alimentare pliat sau răsucit. Nerespectarea acestei recomandări poate cauza defecțiuni.
6. Nu îndreptați în jos duza pentru ieșirea aerului cald imediat după utilizare. Nerespectarea acestei recomandări poate cauza supraîncălzirea sculei, ducând la defecțiuni.

SPECIFICAȚII

Sursa de alimentare	Tip	Poate fi utilizată atât cu curent monofazic de 50 Hz, cât și de 60 Hz.		
	Tensiune	110 V	120 V până la 127 V	220 V până la 240 V
	Curent electric nominal	12,9 A	12,2 A	8,8 A
Putere instalată		1375 W	1500 W	2000 W
Capacitate	Volum de aer suflat	0,25 m ³ /min până la 0,5 m ³ /min (comutator în 2 trepte)		
	Temperatura aerului suflat	250 – 500°C comutator în 2 trepte 50°C (Când se utilizează butonul de răcire.)	350 – 500°C comutator în 2 trepte 50°C (Când se utilizează butonul de răcire.)	450 – 600°C comutator în 2 trepte 50°C (Când se utilizează butonul de răcire.)
Tipul motorului		Motor de curent continuu		
Greutate		0,57 Kg		

ACCESORII STANDARD

① Duză (rotundă)	1
② Duză (plată)	1
③ Duză (suprafață curbată)	1
④ Duză (de protecție a sticlei)	1
⑤ Racletă (cu mâner aderent)	1
⑥ Cutie	1

Accesorii standard sunt supuse modificărilor fără notificare prealabilă.

APLICAȚII

- Decojirea vopselei
- Înmuiera adevizului
- Îndepărtarea chitului de la ramele de ferestre
- Mularea țevilor din rășină
- Sudarea plasticului
- Ambalarea la cald cu film termoretractabil.
- Lipire
- Lucrări de uscare
- Lucrări de dezghețare

ÎNAINTE DE PUNEREA ÎN FUNCȚIUNE

1. Sursa de alimentare

Asigurați-vă că sursa de alimentare care urmează a fi utilizată se conformează cu cerințele specificate pentru curent pe plăcuța de tip a produsului.

2. Comutatorul pentru punerea în funcțiune

Asigurați-vă că ați poziționat comutatorul pentru punerea în funcțiune în poziția OFF (OPRIT).

Dacă ștecherul este conectat la o priză, iar comutatorul pentru punerea în funcțiune este în poziția ON (PORNIT), scula electrică va începe să funcționeze imediat, ceea ce ar putea cauza un accident grav.

3. Cablul prelungitor

Când zona de lucru este departe de sursa de alimentare, folosiți un cablu prelungitor cu o grosime suficientă și o capacitate nominală corespunzătoare. Cablul prelungitor trebuie să fie cât mai scurt posibil.

FUNCȚIILE DE BAZĂ

1. Operarea comutatorului și reglările temperaturii (Fig. 1, 2)

Apăsați comutatorul în sus sau în jos pentru a permite operarea continuă chiar și când ați îndepărtat degetul. Apăsați ușor proeminența pentru a reduce comutatorul la poziția centrală și a opri alimentarea. Temperatura aerului și volumul aerului pot fi reglate în două trepte în funcție de sensul în care este setat comutatorul.

Poziția [I] a comutatorului:

110 V: 250 °C (volum de aer suflat 0,25 m³)
120 V până la 127 V: 350 °C (volum de aer suflat 0,25 m³)
220 V până la 240 V: 350 °C (volum de aer suflat 0,25 m³)

Poziția [II] a comutatorului:

110 V până la 127 V: 500 °C (volum de aer suflat 0,5 m³)
220 V până la 240 V: 600 °C (volum de aer suflat 0,5 m³)

Apăsați butonul pentru răcirea rapidă și apăsați comutatorul pentru a sufla aer cald la aproximativ 50 de grade Celsius pentru fiecare dintre volumele de aer suflat ale comutatorului.

Acesta se utilizează pentru răcirea rapidă a materialului cu care se realizează ambalarea la cald și pentru a răci duza când atinge o temperatură ridicată după utilizarea sculei.

2. Utilizarea cârligului (Fig. 3)

PRECAUȚIE

- Când îndreptați scula în sus pentru lucru, asigurați-vă că este plasată pe un bloc stabil care nu se înclină.
- Nu atârnați scula de încheietura mâinii sau de talie când vă deplasați și duza este încă încinsă.

Țineți scula ferm când îndreptați duza pentru ieșirea aerului cald în sus.

De asemenea, este posibil să agățați scula de talie etc. folosind un cordon pentru a preveni căderea acesteia când lucrați la înălțime etc.

3. Atașarea duzei (Fig. 4).

PRECAUȚIE

Duza este extrem de încinsă imediat după utilizare, deci n-o atingeți.

NOTĂ

Asigurați-vă că nu lăsați duza să cadă.

Înlocuiți duza cu un tip adecvat pentru activitatea pe care o desfășurați.

Introduceți ferm duza furnizată în duza pentru ieșirea aerului cald atât cât permite.

4. Setările temperaturii

AVERTISMENT

- Nu utilizați scula în apropierea substanțelor volatile (diluante, benzină etc.)
- Nu aduceți duza pentru ieșirea aerului cald în contact strâns cu mâinile sau fața dvs. în timpul utilizării. Duza este extrem de încinsă imediat după utilizare, deci n-o atingeți.

Setați temperatura în funcție de articolul care trebuie încălzit.

De asemenea, aveți grijă la materialul înconjurător care va fi încălzit în același timp.

Mai întâi, aplicați aerul cald de la distanță în timp ce vă asigurați că nu apar schimbări ale articolului care este încălzit și apoi mutați-l mai aproape până când ajunge la o distanță corespunzătoare.

Încălzirea substanțelor inflamabile (hârtie, lemn, plastic etc.)

Setați comutatorul în poziția [I] și aplicați căldura ținând duza la o distanță de cel puțin 10 cm față de articolul care este încălzit.

Pentru aplicarea căldurii, deplasați vârful duzei încet în sus, în jos, la stânga și la dreapta.

Aplicarea constantă a căldurii într-un singur loc poate duce la deformare sau la emiterea de fum.

Încălzirea substanțelor neinflamabile (metal, piatră, beton etc.)

Setați comutatorul în poziția [I] și, dacă nu sunt probleme, treceți-l în poziția [II].

Aplicați căldura ținând duza la o distanță de cel puțin 5 cm față de articolul care este încălzit.

Ținerea duzei prea aproape de articol poate cauza supraîncălzirea sculei, ducând la defecțiuni.

EXEMPLU DE LUCRU

PRECAUȚIE

Componentele duzelor furnizate sunt ascuțite; așadar, utilizați mănuși când le scoateți din cutie și când le atașați sau le desprindeți.

Selectați duza luând în considerare forma articolului care este încălzit și zona care este încălzită.

1. Decojirea vopselei (Fig. 5)

Utilizați duza (plată) sau duza (rotundă) pentru a înnuia vopseaua cu aerul cald și apoi îndepărtați-o cu racleta furnizată.

Remarcați că încălzirea prea tare a vopselei poate cauza arderea și întărirea acesteia, făcând dificilă cojirea.

2. Înnuiera adevizului (Fig. 6)

Utilizați duza (plată) sau duza (rotundă) pentru a înnuia suprafața și a o face mai ușor de curățat, apoi trageți în sus de una dintre margini, suflați căldură dedesubt și decojiți-o ușor, astfel încât să îndepărtați tot adevizul.

3. Ambalarea la cald (Fig. 7)

Utilizați duza (plată) pentru a ambala la cald cu film termoretractabil și tuburi. Materialul își va schimba culoarea sau va crăpa dacă suflați aer cald pe el de la o distanță mică, așadar, mențineți o distanță adecvată în timp ce monitorizați progresul.

4. Mularea țevilor din rășină (Fig. 8)

Utilizați duza (suprafață curbată) pentru a încălzi uniform circumferința țevii din rășină.

Pentru a preveni îngustarea interiorului țevii la îndoire etc., turnați nisip înăuntru, blocați ambele capete și apoi îndoiiți-o ușor.

5. Îndepărtarea chitului de la ramele de ferestre (Fig. 9)

Utilizați duza (de protecție a sticlei) pentru a înnuia chitul cu căldură și apoi îndepărtați chitul cu racleta furnizată.

Rețineți că sticla se poate crăpa dacă se aplică în continuu căldură pe ea.

6. Dezghețarea conductelor de apă (Fig. 10)

Utilizați duza (suprafață curbată) pentru a încălzi zona înghețată de la margine spre centru. A nu se confunda conductele de apă cu tuburile de sticlă.

Aveți grijă să evitați deteriorarea zonelor de rășină înghețată de la conductele de apă.

[Utilizarea eficientă a butonului de răcire rapidă]

Apăsați butonul de răcire rapidă și apăsați comutatorul pentru a sufla aer cald la aproximativ 50 de grade Celsius pentru fiecare dintre volumele de aer suflat ale comutatorului.

Acesta se utilizează pentru răcirea rapidă a materialului cu care se realizează ambalarea la cald și pentru a răci duza când atinge o temperatură ridicată după utilizarea pistolului cu aer cald.

ÎNȚEȚINERE ȘI VERIFICARE

1. Verificarea șuruburilor de montare

Verificați regulat toate șuruburile de montare și asigurați-vă că acestea sunt bine strânse. Dacă vreunul dintre șuruburi se slăbește, strângeți-l imediat. Dacă nu faceți acest lucru, pot apărea pericole grave.

2. Întreținerea motorului

Bobinajul motorului este „inima” sculei electrice. Nu permiteți ca la admisie să pătrundă obiecte străine, ulei sau apă.

3. Încuirea cablului de alimentare

Dacă încuirea cablului de alimentare este necesară, aceasta trebuie realizată de către Centrul de servicii autorizate HIKOKI pentru a evita un risc de accident.

4. Curățarea exterioră

Când scula este pătată, ștergeți-o cu o cârpă uscată și moale sau cu o cârpă umezită cu apă și săpun. Nu folosiți solvenți pe bază de clor și nici diluanți, deoarece aceștia topesc masele plastice.

5. Centru de service autorizat HIKOKI:

Consultați <https://hikoki-powertools.eu> pentru adrese.

PRECAUȚIE

Pe durata folosirii și a operațiunilor de întreținere a mașinii trebuie respectate reglementările și standardele naționale privind securitatea.

GARANȚIE

Garantăm sculele electrice HiKOKI în conformitate cu reglementările statutare/specifice țării. Această garanție nu acoperă defectele sau daunele provocate de utilizarea necorespunzătoare, abuz sau de uzura și deteriorarea normale. În cazul în care aveți reclamații, vă rugăm să trimiteți scula electrică nedemontată, împreună cu CERTIFICATUL DE GARANȚIE care se găsește la finalul prezentelor Instrucțiuni de utilizare, la o unitate service autorizată de HiKOKI.

NOTĂ

Ca urmare a programului continuu de cercetare și dezvoltare derulat de HiKOKI, prezentele specificații pot fi modificate fără notificare prealabilă.

SPLOŠNA VARNOSTNA NAVODILA ZA ELEKTRIČNO ORODJE

⚠ OPOZORILO

Preberite vas varnostna opozorila in navodila.

Z neupoštevanjem opozoril in navodil tvegate električni udar, požar in/ali resne telesne poškodbe.

Vsa opozorila in navodila shranite.

Izraz "električno orodje" v opozorilih se nanaša na električno orodje, ki se napaja z omrežno energijo (s priključno vrvico), ali električno orodje, ki se napaja z energijo iz akumulatorskih baterij (brez priključne vrvice).

1) Varnost na delovnem mestu

a) Delovno mesto mora biti čisto in dobro osvetljeno.

V razmetanih in temačnih območjih je verjetnost nesreč večja.

b) Električnega orodja ni dovoljeno uporabljati v eksplozivnih okoljih, na primer v bližini vnetljivih tekočin, plinov ali prahu. Pri delu z električnim orodjem se iskri – iskre lahko vnamejo prah in hlape.

c) Preprečite dostop otrokom in drugim v delovno območje vključenega električnega stroja. Zaradi motenja lahko izgubite nadzor.

2) Električna varnost

a) Vtiči električnega orodja morajo ustrezati vtičnici.

Vtiča ni dovoljeno kakor koli spreminjati.

Za povezavo ozemljenega električnega orodja ni dovoljeno uporabiti vmesnih vtičev.

Z nespremenjenimi vtiči in ustreznimi vtičnicami je tveganje električnega udara manjše.

b) Preprečite stik z ozemljenimi površinami, kot so cevi, radiatorji, peči in hladilniki.

Ko je telo delavca ozemljeno, je nevarnost električnega udara večja.

c) Električnega orodja ni dovoljeno izpostavljati na dež ali v mokre pogoje.

Z vdorom vode v električno orodje je nevarnost električnega udara velika.

d) Ne zlorabljajte priključne vrvice. Priključne vrvice ni dovoljeno uporabljati za prenašanje, vlečenje in izklapljanje električnega orodja. Priključne vrvice ne izpostavljajte na vročino, olje, ostre robove in premične dele.

Med uporabo poškodovanih in zamotanih priključnih vrvic je nevarnost električnega udara večja.

e) Za uporabo električnega orodja na prostem priključite podaljšek, ki je izdelan za takšno uporabo.

Z uporabo priključne vrvice, ki je izdelana za delo na prostem, je nevarnost električnega udara manjša.

f) Če je delo z električnim orodjem v vlažnem okolju neizbežno, uporabite napajanje, ki je zaščiteno s stikalom za diferencialni tok (RCD). Zaščitno stikalo za diferencialni tok (RCD) zmanjša nevarnost električnega udara.

3) Osebná varnost

a) Ostanite zbrani, pazite, kaj delate in delajte po pameti.

Električnega orodja ni dovoljeno uporabljati, če ste utrujeni ali pod vplivom mamil, alkohola ali zdravil.

Trenutek nepozornosti med delom z električnim orodjem je lahko vzrok za resne telesne poškodbe.

b) Uporabljajte osebno zaščitno opremo. Za delo si obvezno nadenite zaščito za oči.

Zaščitna oprema, kot so maska za prah, nezdrnsni čevlji, čelada ali zaščitna za ušesa, ustrezno uporabljena v danih pogojih, zmanjša nevarnost telesnih poškodb.

c) Preprečite neželen zagon. Preden stroj povežete na omrežni vir in/ali akumulatorski sklop, preden ga dvignete ali prenesete, stikalo obvezno prestavite v položaj izklopa (na "OFF").

Pri prenosu električnega orodja s prstom na stikalo ali pri povezavi električnega orodja, ko je stikalo v položaju vklopa "ON", je tveganje nesreč večje.

d) Preden električno orodje vključite, odstranite vse nastavitvene ključe.

Med delom z električnim orodjem, kjer je ključ pritrjen na vrteč del tega orodja, je velika nevarnost telesnih poškodb.

e) Ne preseгаjte. Ves čas trdno stojte in vzdržujte ravnotežje.

Na ta način lahko bolje nadzorujete električno orodje v nepričakovanih situacijah.

f) Ustrezno se oblecite. Za delo si nadenite tesna oblačila in snemite nakit. Z lasmi, oblačili in rokavicami ne posegajte med premične dele.

Ohladna oblačila, nakit ali dolgi lasje se lahko ujamejo med premične dele.

g) Če so na voljo naprave za povezavo odpraševalnih delov in zbiralnikov, slednje povežite in pravilno uporabljajte.

Funkcija zbiranja prahu zmanjša nevarnost v zvezi s prahom.

4) Uporaba in vzdrževanje električnega orodja

a) Električnega orodja ne preobremenjujte. Za izbrano delo uporabite ustrezno električno orodje.

Z ustreznim električnim orodjem boste delo opravili bolje in varneje.

b) Električnega orodja ni dovoljeno uporabiti, če s stikalom orodja ne morete vključiti in izključiti.

Električno orodje, ki ga ni možno upravljati s stikalom, je nevarno in ga je treba popraviti.

c) Preden orodje predelate, spremenite priključke ali orodje shranite, iztaknite vtič iz omrežnega vira in/ali baterijski sklop z električnega orodja.

S takšnimi preventivnimi varnostnimi ukrepi zmanjšate nevarnost neželenega zagona orodja.

d) Električno orodje shranite izven dosega otrok in ne dovolite upravljati orodja osebam, ki orodja ne poznajo in ki niso prebrale navodil.

Električno orodje je nevarno v rokah neusposobljenih uporabnikov.

e) Električno orodje vzdržujte. Pregledujte, če je pogoje, ki lahko vplivajo na delovanje električnega orodja.

Poškodovano električno orodje je treba pred uporabo popraviti.

Vzrok mnogih nesreč je slabo vzdrževano električno orodje.

f) Rezalno orodje mora biti ostro in čisto.

Pravilno vzdrževano rezalno orodje z ostrimi rezilnimi robovi manj pogosto zavira in ga je lažje upravljati.

g) Električno orodje, priključke in svedre ipd. uporabljajte v skladu s temi navodili, pri čemer upoštevajte pogoje dela in izbrane naloge.

Z uporabo električnega orodja v druge namene nastopi nevarna situacija.

5) Servis

- a) Električno orodje lahko servisira le usposobljen delavec, ki mora uporabljati enake nadomestne dele.

Na ta način se ohrani varnost električnega orodja.

VARNOSTNI UKREP

Preprečite dostop otrokom in nemočnim osebam.
Orodje, ki ga ne uporabljate, shranite izven dosega otrok in nemočnih oseb.

VARNOSTNA OPOZORILA ZA FEN ZA VROČ ZRAK

OPOZORILO

1. To orodje ni namenjeno osebam (vključno z otroki) z zmanjšanimi fizičnimi, čutnimi ali duševnimi sposobnostmi ali pomanjkanjem izkušenj in znanja, razen če jih oseba, odgovorna za njihovo varnost ali navodila o uporabi orodja nadzira.
2. Otroke je treba nadzorovati, da se ne bi igrali z orodjem.
3. Če orodja ne uporabljate previdno, lahko pride do požara, zato:
Bodite previdni pri uporabi orodja na mestih, kjer so gorljivi materiali.
Ne uporabljajte na istem mestu dlje časa.
Ne uporabljajte v prisotnosti eksplozivne atmosfere.
Zavedajte se, da se toplota lahko odvede do gorljivih materialov, ki niso vidni.
Po uporabi položite na stojalo in ga pred skladiščenjem ohladite.
Med uporabo ne puščajte orodja brez nadzora.
4. Ne uporabljajte orodja in ne dotikajte se električnega vtiča z mokrimi rokami.
Neupoštevanje tega lahko povzroči električni šok.
5. Pred delom vedno preglejte delovno področje in ne uporabljajte orodja, če ni mogoče zagotoviti varnosti.

Neupoštevanje tega lahko povzroči, da se vnetljivi predmeti, skriti v nevidnih področjih ali za njimi (kasete, stropovi, tla, votla področja), vžgejo.

6. Med uporabo orodja na dvignjenih mestih, ne stojte spodaj.
Prav tako ne zatikajte električnega kabla na čemerkoli in ne dovolite, da se ga vleče.
Neupoštevanje tega lahko povzroči nesrečo.
7. Vročega zraka ne usmerjajte neposredno v ljudi ali živali. Ne glejte v šobo. Pod nobenim pogojem ga ne uporabljajte kot sušilca las.
Neupoštevanje tega lahko povzroči nesrečo ali poškodbe.
8. Obstajajo primeri, v katerih se lahko oddajaj zelo strupen plin, če se ga uporablja na plastiki, laku ali podobnih materialih.
Vedno zagotovite, da je delovno področje popolnoma zračeno, in nosite masko za zaščito pred prahom.
9. Vroč zrak uporabite nežno, medtem ko fen za vroč zrak premikate gor, dol, levo in desno.
Usmerjanje vročega zraka neprekinjeno na eno samo mesto lahko vodi do izbruha dima ali požara.
10. V primeru, da je orodje slučajno padlo ali bilo udarjeno, ga preglejte glede poškodb, razpok ali deformiranosti.
Poškodbe, razpoke ali deformiranost lahko vodijo do poškodb.
11. V primeru, da orodje ne deluje pravilno ali če opazite neobičajne šume ali vibracije, takoj prenehajte z delovanjem in se za pregled in popravilo obrnite na HiKOKI-jev pooblaščen servisni center.
Nadaljna uporaba lahko vodi do poškodb.

12. Ne hodite proč od enote, medtem ko je vklopljena. Neupoštevanje tega lahko povzroči nesrečo.
13. Če se med uporabo električna energija prekine, (npr. če je električni vtič izpadel, je padel odklopnik, prišlo je do izpada elektrike...) in se je ventilator toplotne pištole ustavil, prosimo prestavite stikalo v položaj OFF (IZKLOP). Če je stikalo v položaju ON (VKLOP), ko se napajanje nadaljuje, lahko ponovni zagon ventilatorja povzroči požar.

POZOR

1. Deli priložene šobe so ostri, zato uporabite rokavice, ko jih jemljete iz kasete in jih pritrjujete ali odstranjujete.
2. Šoba za izpust vročega zraka, konica šobe in segrevani material so med in takoj po uporabi orodja izredno vroči, zato uporabljajte rokavice in se izogibajte temu, da bi se jih neposredno dotaknili.
3. Ne uporabljajte v škatlah, predalih ali drugih zaprtih prostorih.
Usmerjanje vročega zraka neprekinjeno na eno samo mesto lahko vodi do izbruha dima ali požara.
4. Prepričajte se, da je šoba med uporabo orodja najmanj 5cm oddaljena od predmeta, ki ga segrevate. Prav tako ne pokrivajte ali kakorkoli drugače blokirajte pušo.
Neupoštevanje tega lahko vodi do pregrevanja fena za vroč zrak, kar lahko povzroči napačno delovanje.
5. Orodja ne vklaplajte in izklaplajte večkrat zaporedoma. Prav tako ne uporabljajte orodja z prepognjenim ali zavitim električnim kablom.
Neupoštevanje tega lahko povzroči napačno delovanje.
6. Ne usmerjajte puše za izpust vročega zraka navzdol takoj po uporabi.
Neupoštevanje tega lahko vodi do pregrevanja orodja, kar lahko povzroči napačno delovanje.

SPECIFIKACIJE

Napajanje	Tip	Uporablja se lahko s 50 Hz in 60 Hz enofaznim tokom.		
	Napetost	110 V	120 V do 127 V	220 V do 240 V
	Nazivni električni tok	12,9 A	12,2 A	8,8 A
Vhodna moč		1375 W	1500 W	2000 W
Kapaciteta	Količina vetra	0,25 m ³ /min do 0,5 m ³ /min (2-stopenjsko stikalo)		
	Temperatura vetra	250 – 500°C 2-stopenjsko stikalo 50°C (Ko se uporabi gumb za hlajenje.)	350 – 500°C 2-stegsomkopplare 50°C (Ko se uporabi gumb za hlajenje.)	450 – 600°C 2-stegsomkopplare 50°C (Ko se uporabi gumb za hlajenje.)
Tip motorja		Enosmerni motor		
Teža		0,57 Kg		

STANDARDNA OPREMA

① Šoba (okrogla).....	1
② Šoba (ploščata).....	1
③ Šoba (ukriviljena površina).....	1
④ Šoba (ščitnik za steklo).....	1
⑤ Strgalo (z ročajem).....	1
⑥ Kaseta.....	1

Standardni pribor je predmet sprememb brez obvestila.

UPORABA

- Luščenje barve
- Mehčanje lepila
- Odstranjevanje kita z okenskih okvirjev
- Oblikovanje smolnatih cevi
- Varjenje plastike
- Toplotno ovijanje z uporabo filma, ki se ob toploti skrči.
- Spajkanje
- Sušenje
- Odtaljevanje

PRED UPORABO

1. Vir napetosti

Zagotovite, da je vir napetosti, ki ga boste uporabili, enak zahtevam vira napetosti, ki je določen na tipski tablici izdelka.

2. Stikalo za vklop/izklop

Prepričajte se, da je stikalo za vklop/izklop v položaju OFF (izključeno).

Če je vtič priključen na vtičnico, ko je stikalo za vklop/izklop v položaju ON (vklopljeno), bo električno orodje takoj začelo delovati ter lahko povzroči resno nesrečo.

3. Podaljševalni kabel

Če je delovno območje oddaljeno od vira napetosti, uporabite podaljševalni kabel primerne debeline in nazivne kapacitete. Podaljševalni kabel naj bo čim krajši.

OSNOVNE FUNKCIJE

1. Delovanje stikala in nastavitve temperature (Sl. 1, 2)

Pritisnite stikalo navzgor ali navzdol, da omogočite neprekinjeno delovanje, tudi ko je vaš prst odmaknjen. Rahlo pritisnite izboklino, da vrnete stikalo v osrednji položaj in izklopite napajanje.

Temperatura in količina vetra se lahko nastavitva v dveh stopnjah, glede na to, kako je nastavljeno stikalo.

Položaj stikala [I]:

- 110 V: 250 °C (količina vetra 0,25 m³)
- 120 V to 127 V: 350 °C (količina vetra 0,25 m³)
- 220 V to 240 V: 350 °C (količina vetra 0,25 m³)

Položaj stikala [II]:

- 110 V to 127 V: 500 °C (količina vetra 0,5 m³)
- 220 V to 240 V: 600 °C (količina vetra 0,5 m³)

Pritisnite gumb za hitro hlajenje in pritisnite stikalo za izpust toplega zraka pri približno 50 stopinjah Celzija za količino zraka vsakega izmed stikalo.

To se uporablja za hitro hlajenje materiala, ki se hitro ukrivlja, in za hlajenje šobe, ko doseže visoke temperature po uporabi orodja.

2. Uporaba kljuke (Sl. 3)

POZOR

- Kadar orodje za delo usmerjate navzgor, se prepričajte, da je nameščeno na stabilnem tla, ki se ne prevrne.
- Ne obešajte orodja na vaše zapestje ali pas, medtem ko se premikate in je šoba še vedno vroča.

Orodje trdno podprite, kadar šoba za izpust vročega zraka usmerjate navzgor.

Prav tako je mogoče orodje obesiti na zapestje itd. z vrvjo, s čimer se prepreči njegov padec med delom na visokih mestih, itd.

3. Pritrditev šobe (Sl. 4)

POZOR

Šoba je takoj po uporabi izredno vroča, zato se je ne dotikajte.

OPOMBA

Pazite, da ne spustite šobe.

Šobo zamenjajte s tipom, ki je primeren za zadevno nalogo.

Priloženo šobo vstavite trdno v šobo za izpust vročega zraka, dokler se popolnoma ne zaustavi.

4. Nastavitve temperature

OPOZORILO

- Ne uporabljajte orodja v bližini hlapljivih snovi (razredčilo, bencin, itd.)
- Šoba za izpust vročega zraka med uporabo ne sme priti v stik z vašimi rokami ali obrazom. Šoba je takoj po uporabi izredno vroča, zato se je ne dotikajte.

Temperaturo nastavite glede na predmet, ki ga segrevate. Pazite tudi na bližnji material, ki se bo segreval i sočasno. Najprej nanesite topel zrak iz oddaljenosti in medtem preverjajte, da na segrevanem predmetu ni sprememb, nato se pomaknite bližje, dokler ne dosežete ustrezne razdalje.

Segrevanje vnetljivih snovi (papir, les, plastika, itd.)

Nastavite stikalo na položaj [I] in s šobo usmerite vroč zrak z oddaljenosti najmanj 10cm od segrevanega predmeta.

Nežno premikajte konico šobe gor, dol, levo in desno, da usmerjate toploto.

Usmerjanje toplote neprekinjeno na eno mesto lahko vodi do deformacije ali izbruha dima.

Segrevanje nevnemljivih snovi (kovina, kamen, beton, itd.)

Nastavite stikalo na položaj [I], in v kolikor ni težav, ga premaknite na položaj [II].

S šobo usmerite toploto z oddaljenosti najmanj 5cm od segrevanega predmeta.

Če šobo držite preblizu, lahko to vodi do pregrevanja orodja, kar lahko povzroči napačno delovanje.

PRIMER DELOVANJA

POZOR

Deli priloženih šob so ostri, zato uporabite rokavice, ko jih jemljete iz kasete in jih pritrjujete ali odstranjujete. Šobo izberite glede na obliko segrevanega predmeta in segrevano področje.

1. Luščenje barve (SI. 5)

Uporabite šobo (ploščato) ali šobo (okroglo), da barvo zmehčate z vročim zrakom, in jo nato odstranite s priloženim strgalom.

Upošteвайте, da lahko prekomerno segrevanje barve povzroči, da se barva osmodi in strdi, zaradi česar jo je težje ostrgati.

2. Mehčanje lepila (SI. 6)

Uporabite šobo (ploščato) ali šobo (okroglo), da zmehčate površino in omogočite njeno enostavno luščenje, in nato potegnite enega izmed koncev navzgor, pihnite spodaj in ga nežno odluščite, tako da ne ostane nič lepila.

3. Toplotno ovijanje (SI. 7)

Uporabite šobo (ploščato) da toplotno ovijete film, ki se krči in cevi. Material bo spremenil barvo ali počil, če se vroč zrak pihna nanj iz premajhne razdalje, zato med nadzorovanjem poteka vzdržujte primerno razdaljo.

4. Oblikovanje smolnatih cevi (SI. 8)

Uporabite šobo (ukriviljena površina), da enakomerno segrejete obod smolnate cevi.

Da preprečite, da bi se notranjost cevi zožala, ko jo upogibate, itd., nasujete vanjo pesek, zaprite oba konca in jo nato nežno upognite.

5. Odstranjevanje kita z okenskih okvirjev (SI. 9)

Uporabite šobo (ščitnik za steklo), da kit zmehčate s toploto, in nato odstranite kit s priloženim strgalom. Upošteвайте, da lahko steklo počí, če se toplota vanj neprekinjeno usmerja.

6. Odtajevanje vodovodnih cevi (SI. 10)

Uporabite šobo (ukriviljena površina), da segrejete zamrznjeno območje od roba proti sredini. Ne zamenjajte vodovodnih cevi za steklene cevi.

Pazite, da ne poškodujete zamrznjenih smolnatih področij na vodovodnih cevih.

[Učinkovita uporaba gumba za hitro hlajenje]

Pritisnite gumb za hitro hlajenje in pritisnite stikalo za izpust toplega zraka pri približno 50 stopinjah Celzija za količino zraka vsakega izmed stikalo.

To se uporablja za hitro hlajenje materiala, ki se hitro ukrivilja, in za hlajenje šobe, ko doseže visoke temperature po uporabi fena za vroč zrak.

VZDRŽEVANJE IN PREGLEDOVANJE

1. Pregled montažnih vijakov

Redno preverjajte vse montažne vijake in zagotovite, da so pravilno pritegnjeni. Če je kateri izmed vijakov odvit, ga takoj znova pritegnite. Če tega ne storite, lahko pride do resne nevarnosti.

2. Vzdrževanje motorja

Tuljava motorne enote je "srce" električnega orodja. Preprečite, da bi v vhodno odprtino prišli tujski, olje ali voda.

3. Zamenjava napajalnega kabla

Če je potrebna zamenjava napajalnega kabla, mora to opraviti HiKOKI-jev pooblaščen servisni center, da se prepreči nevarnost.

4. Očistite zunanost

Če je orodje umazano, ga obrišite z mehko suho krpo ali krpo, navlaženo z milnato vodo. Ne uporabljajte klorovih raztopin, bencina ali razredčevalcev barve, saj ti stopijo plastiko.

5. Pooblaščen servisni center HiKOKI:

Oglejte si <https://hikoki-powertools.eu> za naslove.

POZOR

Pri uporabi in vzdrževanju električnih orodjih je treba upoštevati varnostne uredbe in standarde, ki so določene za vsako državo.

GARANCIJA

Garantiramo za HiKOKI električna orodja v skladu z ustavno/državno veljavnimi uredbami. Garancija ne pokriva napak ali poškodb, ki nastanejo zaradi nepravilne uporabe, zlorabe ali normalne obrabe. V primeru pritožbe pošljite nerazstavljeno električno orodje skupaj z GARANCIJSKIM CERTIFIKATOM, ki ga najdete na koncu teh navodil za uporabo, na pooblaščen servisni center HiKOKI.

OPOMBA

Zaradi HiKOKIJEVEGA nenehnega programa raziskav in razvoja se specifikacije lahko spremenijo brez vnaprejšnjega obvestila.

VŠEOBECNÉ INFORMÁCIE O BEZPEČNOSTI ELEKTRICKÉHO NÁRADIA

⚠ VÝSTRAHA

Prečítajte si všetky bezpečnostné výstrahy a všetky pokyny.

Nedodržanie výstrah a pokynov môže viesť k zasiahnutiu elektrickým prúdom, požiaru a/alebo vážnemu poraneniu osoby.

Všetky výstrahy a pokyny uschovajte pre možnú potrebu v budúcnosti.

Výraz „elektrické náradie“ uvedený na výstrahách označuje vaše zo siete napájané (sieťovým káblom vybavené) elektrické náradie alebo náradie napájané akumulátorom (bez sieťového kábla).

1) Bezpečnosť na pracovisku

- Udržiavajte svoje pracovisko čisté a dobre osvetlené.
Neporiadok a tmavé plochy zvyšujú pravdepodobnosť úrazov.
- Nepoužívajte elektrické náradie vo výbušnom prostredí, ako napríklad v prítomnosti horľavých kvapalín, plynov alebo prachu.
Elektrické náradie vytvára iskry, ktoré môžu zapáliť prach alebo výparu.
- Počas práce s elektrickým náradím by sa mali okolostojaci a deti zdržiavať mimo pracovného priestoru.
Ovvedenie pozornosti môže spôsobiť neschopnosť ovládania náradia.

2) Elektrická bezpečnosť

- Zástrčka elektrického náradia musí vyhovovať sieťovej zásuvke.
Žiadnym spôsobom a nikdy neupravujte zástrčku.
V spojení s uzemneným elektrickým náradím nepoužívajte žiadne prechodové zástrčky. Neupravené zástrčky a správne vyhovujúce zásuvky znižujú riziko zasiahnutia elektrickým prúdom.
- Zabráňte telesnému kontaktu s uzemnenými povrchmi, akými sú potrubia, radiátory, sporáky a chladničky.
Existuje zvýšené riziko zasiahnutia elektrickým prúdom v prípade, ak je vaše telo uzemnené.
- Pracovné náradie nevystavujte účinkom dažďa alebo mokrého prostredia.
Pri preniknutí vody do náradia sa zvyšuje riziko zasiahnutia elektrickým prúdom.
- Kábel nepoužívajte na iné účely. Kábel nikdy nepoužívajte na prenášanie, ťahanie ani ťahaním za kábel náradie neodpájajte od prívodu energie. Kábel chráňte pred teplom, olejom, ostrými hranami alebo pohybujúcimi sa časťami.
Poškodené alebo zamotané káble zvyšujú riziko zasiahnutia elektrickým prúdom.
- Pri používaní elektrického náradia vonku používajte predĺžovací kábel vhodný na použitie vonku.
Používanie kábla vhodného na používanie vonku znižuje riziko zasiahnutia elektrickým prúdom.
- V prípade, ak je nevyhnutné používať elektrické náradie vo vlhkom prostredí, používajte prívod elektrického prúdu chránený zariadením pre zvyškový prúd (RCD).
Používanie RCD znižuje riziko zasiahnutia elektrickým prúdom.

3) Osobná bezpečnosť

- Pri používaní elektrického náradia zostaňte pozorný, sústreďte sa na vykonávanú prácu a používajte všetky zmysly.
*Elektrické náradie nepoužívajte ak ste unavený, alebo ste pod vplyvom drog, alkoholu alebo liekov.
Chvilka nepozornosti počas práce s elektrickým náradím môže spôsobiť vážne zranenie.*
 - Používajte osobné ochranné prostriedky. Vždy používajte ochranu očí.
Ochranné prostriedky, akými sú proti prachová maska, protišmykové bezpečnostné topánky, ochranná prilba alebo ochrana sluchu, ktoré sa používajú pre patrické podmienky znižujú vznik osobných poranení.
 - Zabráňte náhodnému spusteniu. Pred pripojením k sieťovému zdroju a/alebo akumulátoru, uchopením alebo prenášaním náradia prepnite vypínač do polohy OFF (VYP.).
Prenášanie náradia s prstom na vypínači alebo budenie náradia elektrickým prúdom, kedy je spínač v polohe zapnutia (on) môže mať za následok úraz.
 - Pred tým, ako zapnete elektrické náradie, odstráňte z neho akékoľvek nastavovacie kľúče alebo skrutkovače.
Skrutkovač alebo kľúč, ktorý zostal pripojený k otáčajúcej sa časti prístroja môže spôsobiť zranenie.
 - Nepreceňujte svoje možnosti. Vždy si zachovajte správnu rovnovahu a zabezpečte správny postoj.
Toto umožní lepšie ovládanie elektrického náradia v neočakávaných situáciách.
 - Vhodne sa oblečte. Pri práci nenoste voľný odev alebo šperky. Zabráňte styku vlasov, oblečenia a rukavíc s pohybujúcimi sa časťami.
Voľné oblečenie, šperky alebo dlhé vlasy sa môžu zachytiť do pohybujúcich častí.
 - Ak je náradie vybavené pre pripojenie vysávača alebo vrecka na zachytávanie prachu, pripojte ich k náradiu a pri práci ich správne používajte.
Používanie zariadení na zachytávanie prachu môže znížiť riziká spôsobené prachom.
- ### 4) Používanie a starostlivosť o elektrické náradie
- Elektrické náradie nepreťažujte. Na prácu používajte vždy náradie, ktoré je na ňu určené.
Správne elektrické náradie vykoná prácu, na ktorú je určené lepšie a bezpečnejšie.
 - Náradie s poškodeným vypínačom, ktorý sa nedá otočiť do polohy pre zapnutie alebo vypnutie nepoužívajte.
Akékoľvek náradie, ktoré nemôže byť ovládané vypínačom je nebezpečné a musí sa opraviť.
 - Pred tým, ako vykonáte akékoľvek úpravy, výmenu príslušenstva alebo skôr, než elektrické náradie odložíte, odpojte ho od zdroja napájania a/alebo akumulátora.
Tieto preventívne bezpečnostné opatrenia znižujú riziko náhodného spustenia elektrického náradia.
 - Nečinné elektrické náradie uskladnite mimo dosahu detí a nedovoľte, aby osoby, ktoré nie sú oboznámené s elektrickým náradím alebo s týmto návodom toto elektrické náradie obsluhovali.
V rukách neškolených osôb je elektrické náradie nebezpečné.

- e) **Údržba elektrického náradia.** Skontrolujte nesprávne centrovanie alebo zablokovanie pohyblivých častí, poškodenie častí, alebo akékoľvek iné okolnosti, ktoré by mohli ovplyvniť činnosť elektrického náradia. V prípade poškodenia treba elektrické náradie nechať pred ďalším použitím opraviť.
Mnohé nehody sú spôsobené práve nesprávnou udržiavaným elektrickým náradím.
- f) **Sečné náradie udržiavajte ostré a čisté.**
Správne udržiavané sečné náradie s ostrými sečnými hranami je menej náchylné na zablokovanie a je ľahšie ovládateľné.
- g) **Elektrické náradie, príslušenstvo, nástavce náradia a pod. používajte v zmysle týchto pokynov a berúc do úvahy pracovné podmienky a charakter vykonávanej práce.**
Používanie elektrického náradia na iné než určené činnosti môže viesť k vzniku rizikových situácií.
- 5) **Servis**
- a) **Servis na svojom elektrickom náradí nechajte vykonávať jedine kvalifikovaným personálom a pri použití jedine originálnych náhradných dielov.**
Tým sa zabezpečí zachovanie bezpečnosti elektrického náradia.

BEZPEČNOSTNÉ OPATRENIA

Zabráňte prístupu detí a nezainteresovaných osôb. Pokiaľ náradie nepoužívate, mali by ste ho uložiť mimo dosahu detí a nezainteresovaných osôb.

BEZPEČNOSTNÉ UPOZORNENIA PRE TEPLOVZDUŠNÚ PIŠTOĽ

VÝSTRAHA

1. Tento nástroj nie je určený na použitie osobami (vrátane detí) so zníženými fyzickými, zmyslovými alebo mentálnymi schopnosťami alebo nedostatkom skúseností a znalostí, pokiaľ im nebol pridelený dohľad alebo dané pokyny týkajúce sa používania nástroja osobou zodpovednou za ich bezpečnosť.
2. Deti by mali byť pod dozorom, aby sa zaistilo, že sa s náradím nebudú hrať.
3. Ak sa náradie nepoužíva opatrne, môže dôjsť k požiaru. Preto:
Pri používaní nástroja na miestach, kde sa nachádzajú horľavé materiály, buďte opatrní.
Neaplikujte na to isté miesto dlho.
Nepoužívajte v prostredí s nebezpečenstvom výbuchu.

Uvedomte si, že teplo sa môže prenášať k horľavým materiálom, ktoré sú mimo dohľadu.

Po použití položte náradie na stojan a pred uskladnením ho nechajte vychladnúť.

Keď náradie používate, nenechávajte ho bez dozoru.

4. Náradie nepoužívajte ani sa nedotýkajte zástrčky, keď máte mokré ruky. Nedodržanie tohto pokynu môže viesť k úrazu elektrickým prúdom.
5. Pred používaním vždy skontrolujte pracovnú oblasť. Ak nemožno zaručiť bezpečnosť, náradie nepoužívajte. Nedodržanie tohto pokynu môže viesť k vznieteniu horľavých častí v skrytých oblastiach (škatule, stropy, podlahy, priehlbiny) alebo za nimi.
6. Pri používaní na vyvýšených miestach nestojte pod náradím. Nechytajte napájací kábel ani iné časti a tiež nedovoľte, aby za ne ťahala iná osoba. Nedodržanie tohto pokynu môže viesť k nehodám.
7. Horúci vzduch nesmerujte priamo na ľudí ani zvieratá. Nepozerajte sa do trysky. Náradie za žiadnych okolností nepoužívajte ako sušič vlasov. Nedodržanie tohto pokynu môže viesť k nehodám alebo poraneniu.
8. Pri aplikovaní na plasty, lak alebo podobné materiály sa bude uvoľňovať vysoko toxický plyn. Vždy zaručte úplné vetranie pracovnej oblasti a noste masku na ochranu pred prachom.
9. Teplo opatrne aplikujte pohybom teplovzdušnej pištole nahor, nadol, doľava a doprava.

Ak ňou budete nepretržite mieriť na jedno miesto, môže sa začať uvoľňovať dym alebo dôjsť k požiaru.

10. Ak vám náradie náhodou spadne alebo ho vystavíte nárazu, skontrolujte, či nie je poškodené, prasknuté alebo zdeformované.

Poškodenie, prasknutie a zdeformovanie môže viesť k poraneniu.

11. Ak náradie nepracuje správne alebo ak spozorujete nezvyčajný hluk alebo vibrácie, okamžite prerušte činnosť a požiadajte autorizované servisné stredisko spoločnosti HiKOKI o kontrolu alebo opravu.

Ďalšie používanie by mohlo viesť k poraneniu.

12. Kým je jednotka zapnutá, nevzdŕľajte sa od nej. Nedodržanie tohto pokynu môže viesť k nehodám.

13. Ak počas používania dôjde k prerušeniu dodávky elektrickej energie (napr. v sieťovej zástrčke, vypnutím ističa, výpadkom prúdu...) a ventilátor teplovzdušnej pištole sa zastavil, prepnite spínač do polohy vypnutia. Ak počas obnovenia napájania ponecháte spínač v zapnutej polohe, opätovné spustenie ventilátora môže spôsobiť požiar.

POZNÁMKA

1. Časti dodanej trysky sú ostré, takže pri ich vyberaní z puzdra a nasadzovaní alebo odpájaní používajte rukavice.
2. Tryska na uvoľnenie horúceho vzduchu, hrot trysky a nahriaty materiál sú počas používania a ihneď po používaní náradia mimoriadne horúce. Preto používajte rukavice a nedotýkajte sa ich priamo.
3. Pištoľ nepoužívajte vnútri škatúľ, zásuviek ani iných uzavretých priestorov. Ak ňou budete nepretržite mieriť na jedno miesto, môže sa začať uvoľňovať dym alebo dôjsť k požiaru.
4. Dbajte na to, aby pri používaní náradia bola tryska vzdialená aspoň 5 cm od nahrievaného predmetu. Trysku nezakrývajte ani inak neblokujte. Nedodržanie tohto pokynu môže viesť k prehriatiu teplovzdušnej pištole a následným poruchám.
5. Náradie opakovane nezapínajte a nevypínajte. Náradie tiež nepoužívajte, ak je napájací kábel zložený alebo prekrútený. Nedodržanie tohto pokynu môže viesť k poruchám.
6. Ihneď po používaní nemierte tryskou na uvoľnenie horúceho vzduchu nadol. Nedodržanie tohto pokynu môže viesť k prehriatiu náradia a následným poruchám.

SPECIFIKÁCIE

Zdroj napájania	Typ	Možno používať s jednofázovým prúdom 50 Hz aj 60 Hz.		
	Napätie	110 V	120 V – 127 V	220 V – 240 V
Menovitý elektrický prúd		12,9 A	12,2 A	8,8 A
Vstupný príkon		1375 W	1500 W	2000 W
Kapacita	Objem vzduchu	0,25 m ³ /min – 0,5 m ³ /min (dvojfázový spínač)		
	Teplota vzduchu	250 – 500°C Dvojfázový spínač 50°C (Pri použití tlačidla na rýchle chladenie.)	350 – 500°C Dvojfázový spínač 50°C (Pri použití tlačidla na rýchle chladenie.)	450 – 600°C Dvojfázový spínač 50°C (Pri použití tlačidla na rýchle chladenie.)
Typ motora		Motor na jednosmerný prúd		
Hmotnosť		0,57 Kg		

STANDARDNÉ PRÍSLUŠENSTVO

① Tryska (oblá).....	1
② Tryska (rovná).....	1
③ Tryska (na nerovný povrch).....	1
④ Tryska (na ochranu skla).....	1
⑤ Škrabka (s držadlom).....	1
⑥ Puzdro.....	1

Štandardné príslušenstvo podlieha zmenám bez predchádzajúceho oznámenia.

POUŽITIE

- Odstraňovanie farby
- Zmäkčovanie lepidla
- Odstraňovanie tmelu z okenných rámov
- Formovanie živcových rúr
- Spájanie plastov
- Obaľovanie pomocou fólie zmršťujúcej sa pôsobením tepla.
- Zváranie
- Vysušanie
- Rozmrazovanie

PRED PREVÁDZKOVANÍM

1. Zdroj napájania

Skontrolujte, či zdroj napájania určený na použitie vyhovuje požiadavkám na napájanie uvedeným na továrenskom štítku produktu.

2. Spínač

Skontrolujte, či je spínač v polohe VYPNUTÉ.

Ak je spínač v polohe ZAPNUTÉ a zapojíte zástrčku do zásuvky, elektrické náradie začne ihneď pracovať, čo môže spôsobiť vážnu nehodu.

3. Predlžovací kábel

Ak sa v pracovnej oblasti nenachádza zdroj napájania, použite predlžovací kábel s dostatočnou hrúbkou a menovitou kapacitou. Predlžovací kábel by mal byť čo najkratší.

ZÁKLADNÉ FUNKCIE

1. Ovládanie spínača a úprava teploty (Obr. 1, 2)

Stlačením spínača nahor alebo nadol aktivujete nepretržitú prevádzku, ktorá bude pokračovať aj po odťahnutí prsta.

Jemným stlačením výčnelku vrátite spínač do stredovej polohy a vypnete napájanie.

Teplotu a objem vzduchu môžete upraviť vo dvoch fázach v závislosti od smeru nastavenia spínača.

Poloha spínača [I]:

110 V: 250 °C (objem vzduchu 0,25 m³)

120 V – 127 V: 350 °C (objem vzduchu 0,25 m³)

220 V – 240 V: 350 °C (objem vzduchu 0,25 m³)

Poloha spínača [II]:

110 V – 127 V: 500 °C (objem vzduchu 0,5 m³)

220 V – 240 V: 600 °C (objem vzduchu 0,5 m³)

Súčasnym stlačením tlačidla na rýchle chladenie a spínača môžete fúkať teplý vzduch s teplotou približne 50 °C a objemom podľa jednotlivých polôh spínača.

Táto funkcia sa používa na rýchle chladenie materiálu, ktorý sa vplyvom tepla deformuje, a na chladenie trysky, keď má po používaní náradia vysokú teplotu.

2. Používanie háka (Obr. 3)

UPOZORNENIE

- Keď pri práci smeruje náradie nahor, musí byť umiestnené na stabilnom bloku, ktorý sa nenakláňa.
- Pri pohybe s horúcou tryskou si náradie nevesajte na zápästie ani pás.

Keď tryskou na uvoľnenie horúceho vzduchu mierite nahor, náradie pevne podoprite.

zavesiť na pás a pod., aby pri práci vo výškach alebo na podobných miestach nespadlo.

3. Nasadenie trysky (Obr. 4)

UPOZORNENIE

Ihneď po použití je tryska veľmi horúca, takže sa jej nedotýkajte.

POZNÁMKA

Dbajte na to, aby tryska nespadla.

Trysku nahraďte typom, ktorý sa hodí na vykonávanú prácu.

Dodanú trysku zasuňte na doraz do trysky na uvoľnenie horúceho vzduchu.

4. Nastavenie teploty

VÝSTRAHA

Náradie nepoužívajte v blízkosti prchavých látok, ako sú riedidlo, benzén a pod.

Počas používania nepribližujte trysku na uvoľnenie horúceho vzduchu k svojim rukám ani tvári.

Ihneď po použití je tryska veľmi horúca, takže sa jej nedotýkajte.

Teplotu nastavte s prihliadnutím na predmet, ktorý chcete nahriať.

Venujte pozornosť aj okolitému materiálu, ktorý sa pri tom nahreje.

Najprv horúci vzduch aplikujte z určitej vzdialenosti, pričom kontrolujte, či sa nahrievaný predmet nemení. Potom náradie presúvajte bližšie, kým nedosiahnete správnu vzdialenosť.

Nahrievanie horľavých materiálov (papieru, dreva, plastu a pod.)

Nastavte spínač do polohy [I] a aplikujte teplo tak, aby bola tryska vzdialená aspoň 10 cm od nahrievaného predmetu.

Teplo aplikujte opatrným pohybom hrotu trysky nahor, nadol, doľava a doprava.

Ak budete teplo nepretržite aplikovať na jedno miesto, môže dôjsť k deformácii alebo uvoľňovaniu dymu.

Nahrievanie nehorľavých materiálov (kovu, kameňa, betónu a pod.)

Nastavte spínač do polohy [I], a ak sa nevyskytnú žiadne problémy, posuňte ho do polohy [II].

Teplo aplikujte tak, aby bola tryska vzdialená aspoň 5 cm od nahrievaného predmetu.

Ak budete trysku držať príliš blízko, môže dôjsť k prehriatiu náradia a následným poruchám.

PRÍKLADY PRACOVNÝCH ÚKONOV

UPOZORNENIE

Časti dodaných trysiek sú ostré, takže pri ich vyberaní z puzdra a nasadzovaní alebo odpájani používajte rukavice.

Trysku vyberajte s prihliadnutím na tvar nahrievaného predmetu a nahrievanú oblasť.

1. Odstraňovanie farby (Obr. 5)

Pomocou trysky (rovnej alebo oblej) zmäknite farbu horúcim vzduchom a potom ju pomocou dodanej škrabky odstráňte.

Prílišné nahriatie môže viesť k spáleniu a stvrdnutiu farby, takže sa bude ťažšie oškrabávať.

2. Zmäčkovanie lepidla (Obr. 6)

Pomocou trysky (na nerovný alebo oblej) zmäknite povrch, čím zjednodušíte jeho odlúpnutie. Potom odtiahnite jeden z okrajov, fúknite podoň teplý vzduch a opatrne ho odlepte tak, aby na povrchu nezostalo žiadne lepidlo.

3. Tepelné obalovanie (Obr. 7)

Pomocou trysky (rovnej) zmrstíte fóliu a trubice určené na obalovanie pôsobením tepla. Ak na takýto materiál fúknete horúci vzduch z krátkej vzdialenosti, môže sa zmeniť jeho farba alebo môže popraskáť. Pri práci preto dodržiavajte vhodnú vzdialenosť.

4. Formovanie živcových rúr (Obr. 8)

Pomocou trysky (na nerovný povrch) rovnomerne nahrejte okraj živcovej rúry.

Ak chcete zabrániť zúženiu vnútra rúry pri ohýbaní a podobných úkonoch, nasajte dovnútra piesok, zablokujte obidva konce a potom ju opatrne ohnite.

5. Odstraňovanie tmelu z okenných rámov (Obr. 9)

Pomocou trysky (na ochranu skla) zmäknite tmel horúcim vzduchom a potom ho pomocou dodanej škrabky odstráňte.

Ak budete teplo nepretržite aplikovať na sklo, sklo môže prasknúť.

6. Rozmrazovanie vodovodných rúr (Obr. 10)

Pomocou trysky (na nerovný povrch) nahrejte zamrznutú oblasť smerom od okraja k stredu. Nepomýľte si vodovodné rúry so sklenenými rúrami. Dávajte pozor, aby ste na vodovodných rúrach nepoškodili oblasti so zamrznutou živcou.

[Účinné používanie tlačidla na rýchle chladenie]

Súčasnym stlačením tlačidla na rýchle chladenie a spínača môžete fúkať teplý vzduch s teplotou približne 50 °C a objemom podľa jednotlivých polôh spínača.

Táto funkcia sa používa na rýchle chladenie materiálu, ktorý sa vplyvom tepla deformuje, a na chladenie trysky, keď má po používaní teplovzdušnej pištole vysokú teplotu.

ÚDRŽBA A KONTROLA

1. Kontrola montážnych skrutiek

Všetky montážne skrutky pravidelne kontrolujte, či sú správne utiahnuté. Ak sa niektorá zo skrutiek povolí, okamžite ju dotiahnite. Nedodržanie tohto pokynu môže viesť k vážnemu nebezpečenstvu.

2. Údržba motora

Vinutie jednotky motora je základnou súčasťou elektrického náradia.

Zabráňte tomu, aby sa do prívodu dostali cudzie predmety, olej alebo voda.

3. Výmena sieťového kábla

Ak treba vymeniť sieťový kábel, zverte vykonanie tejto činnosti autorizovanému servisnému stredisku spoločnosti HiKOKI, aby sa predišlo rizikám ohrozenia bezpečnosti.

4. Čistenie zvonka

Keď sa náradie zašpiní, utrite ho mäkkou suchou handričkou alebo handričkou navlhčenou v mydlovej vode. Nepoužívajte chlórové rozpúšťadlá, benzín ani riedidlá na farby, pretože rozpúšťajú plasty.

5. Autorizované servisné stredisko spoločnosti HiKOKI:

Pozrite si adresy na <https://hikoki-powertools.eu>.

UPOZORNENIE

V rámci prevádzkovania alebo údržby elektrického náradia je nutné dodržiavať bezpečnostné nariadenia a normy platné v patričnej krajine.

ZÁRUKA

Naša spoločnosť garantuje, že elektrické náradie značky HiKOKI vyhovuje zákonným/národným nariadeniam. Táto záruka sa nevzťahuje na chyby alebo poškodenia v dôsledku nesprávneho používania, zlého zaobchádzania alebo štandardného opotrebovania a poškodenia. V prípade reklamácie doručte elektrické náradie v nerozobratom stave spolu so ZÁRUČNÝM LISTOM, ktorý nájdete na konci tohto návodu na obsluhu autorizovanému servisnému stredisku spoločnosti HiKOKI.

POZNÁMKA


Vzhľadom na pokračujúci program výskumu a vývoja v spoločnosti HiKOKI si vyhradzuje právo zmien tu uvedených technických špecifikácií bez predchádzajúceho upozornenia.

English	Čeština
<p align="center"><u>GUARANTEE CERTIFICATE</u></p> <p>① Model No. ② Serial No. ③ Date of Purchase ④ Customer Name and Address ⑤ Dealer Name and Address (Please stamp dealer name and address)</p>	<p align="center"><u>ZÁRUČNÍ LIST</u></p> <p>① Model č. ② Série č. ③ Datum nákupu ④ Jméno a adresa zákazníka ⑤ Jméno a adresa prodejce (Prosíme o razítko se jménem a adresou prodejce)</p>
Deutsch	Türkçe
<p align="center"><u>GARANTIESCHEIN</u></p> <p>① Modell-Nr. ② Serien-Nr. ③ Kaufdatum ④ Name und Anschrift des Kunden ⑤ Name und Anschrift des Händlers (Bitte mit Namen und Anschrift des Handlers abstempeln)</p>	<p align="center"><u>GARANTİ SERTİFİKASI</u></p> <p>① Model No. ② Seri No. ③ Satın Alma Tarihi ④ Müşteri Adı ve Adresi ⑤ Bayi Adı ve Adresi (Lütfen bayi adını ve adresini kaşe olarak basın)</p>
Ελληνικά	Română
<p align="center"><u>ΠΙΣΤΟΠΟΙΗΤΙΚΟ ΕΓΓΥΗΣΗΣ</u></p> <p>① Αρ. Μοντέλου ② Αύξων Αρ. ③ Ημερομηνία αγοράς ④ Όνομα και διεύθυνση πελάτη ⑤ Όνομα και διεύθυνση μεταπωλητή (Παρακαλούμε να χρησιμοποιηθεί σφραγίδα)</p>	<p align="center"><u>CERTIFICAT DE GARANȚIE</u></p> <p>① Model nr. ② Nr. de serie ③ Data cumpărării ④ Numele și adresa clientului ⑤ Numele și adresa distribuitorului (Vă rugăm aplicați ștampila cu numele și adresa distribuitorului)</p>
Polski	Slovenščina
<p align="center"><u>GWARANCJA</u></p> <p>① Model ② Numer seryjny ③ Data zakupu ④ Nazwa klienta i adres ⑤ Nazwa dealera i adres (Pieczęć punktu sprzedaży)</p>	<p align="center"><u>GARANCIJSKO POTRDILO</u></p> <p>① Št. modela ② Serijska št. ③ Datum nakupa ④ Ime in naslov kupca ⑤ Ime in naslov prodajalca (Prosimo vtisnite žig z imenom in naslovom prodajalca)</p>
Magyar	Slovenčina
<p align="center"><u>GARANCIA BIZONYLAT</u></p> <p>① Típuszám ② Sorozatszám ③ A vásárlás dátuma ④ A Vásárló neve és címe ⑤ A Kereskedő neve és címe (Kérjük ide elhelyezni a Kereskedő nevének és címének pecsétjét)</p>	<p align="center"><u>ZÁRUČNÝ LISTA</u></p> <p>① Č. modelu ② Sériové č. ③ Dátum zakúpenia ④ Meno a adresa zákazníka ⑤ Názov a adresa predajcu (Pečiatka s názvom a adresou predajcu)</p>

HIKOKI

①	
②	
③	
④	
⑤	



<p>English</p> <p>EC DECLARATION OF CONFORMITY</p> <p>We declare under our sole responsibility that Heat Gun, identified by type and specific identification code *1), is in conformity with all relevant requirements of the directives *2) and standards *3). Tim Sieberns who is authorized to compile the technical file is at *4) – See below. The declaration is applicable to the product affixed CE marking.</p>	<p>Polski</p> <p>DEKLARACJA ZGODNOŚCI Z WE</p> <p>Oświadczamy na własną wyłączną odpowiedzialność, że Opalarka podanego typu i oznaczona unikalnym kodem identyfikacyjnym *1) jest zgodna ze wszystkimi właściwymi wymogami dyrektyw *2) i norm *3). Tim Sieberns jest upoważniony do sporządzenia dokumentacji technicznej i jest dostępny pod adresem *4) – Patrz poniżej. Niniejsza deklaracja ma zastosowanie do produktu opatrzonego znakiem CE.</p>
<p>Deutsch</p> <p>EG-KONFORMITÄTSERKLÄRUNG</p> <p>Wir erklären in alleiniger Verantwortung, dass das durch den Typ und den spezifischen Identifizierungscode *1) identifizierte Heißluft Gebläse allen einschlägigen Bestimmungen der Richtlinien *2) und Normen *3) entspricht. Tim Sieberns, die für die Zusammenstellung der technischen Datei zuständig ist, ist unter *4) erreichbar – Siehe unten. Die Erklärung gilt für die an dem Produkt angebrachte CE-Kennzeichnung.</p>	<p>Magyar</p> <p>EK MEGFELELŐSÉGI NYILATKOZAT</p> <p>A kizárólagos felelősségünkre kijelentjük, hogy a Hőlégfúvó, mely típus és egyedi azonosító kód *1) alapján azonosított, megfelel az irányelvek *2) és szabványok *3) vonatkozó követelményeinek. A műszaki fájl összeállítására jogosult Tim Sieberns elérhetősége itt található: *4) – Lásd alább. Jelen nyilatkozat a terméken feltüntetett CE jelzésre vonatkozik.</p>
<p>Ελληνικά</p> <p>ΕΚ ΔΗΛΩΣΗ ΕΝΑΡΜΟΝΙΣΜΟΥ</p> <p>Δηλώνουμε με αποκλειστική μας ευθύνη ότι το Θερμοπίστολο, το οποίο προσδιορίζεται από τον τύπο και ειδικό αναγνωριστικό κωδικό *1), είναι σύμφωνο με όλες τις σχετικές απαιτήσεις των Οδηγιών *2) και στα σχετικά πρότυπα *3). Ο Tim Sieberns που είναι εξουσιοδοτημένος για τη σύνταξη του τεχνικού φακέλου είναι στο *4) – Δείτε παρακάτω. Η δήλωση ισχύει μόνο για το προϊόν που είναι τοποθετημένη σήμανση CE.</p>	<p>Čeština</p> <p>PROHLÁŠENÍ O SHODĚ S ES</p> <p>Prohlašujeme na svou výhradní zodpovědnost, že horkovzdušná pistole, identifikovaná podle typu a specifického identifikačního kódu *1), je v souladu se všemi příslušnými požadavky směrnice *2) a norem *3). Tim Sieberns, jež je oprávněný k sestavení technické dokumentace, je v *4) - viz níže. Toto prohlášení platí pro výrobek označený značkou CE.</p>
<p>*1) RH600T C346391S C355846S</p> <p>*2) 2006/42/EC, 2014/30/EU, 2014/35/EU, 2011/65/EU</p> <p>*3) EN60335-1:2012+A15:2021 EN60335-2-45:2002+A2:2012 EN55014-1:2006+A1:2009+A2:2011 EN55014-2:1997+A1:2001+A2:2008 EN61000-3-2:2014 EN61000-3-3:2013</p>	
<p>*4) Representative office in Europe Koki Holdings Europe GmbH Metabo-Allee 1, 72622 Nuertingen, Germany</p> <p>Head office in Japan Koki Holdings Co., Ltd. Shinagawa Intercity Tower A, 15-1, Konan 2-chome, Minato-ku, Tokyo, Japan</p> <div style="display: flex; justify-content: space-between; align-items: center;">  <div style="text-align: right;"> <p>31. 3. 2025</p>  <p>_____ A. Yahagi General Manager of Validation/Service Division Koki Holdings Co., Ltd.</p> </div> </div>	

<p>Türkçe</p> <p>AT UYGUNLUK BEYANI</p> <p>Tip ve özel tanım koduyla *1) tanımlı Isı Tabancası'nın direktiflerin *2) ve standartların *3) tüm ilgili gereksinimlerine uygun olduğunu tamamen kendi sorumluluğumuz altında beyan ederiz. Teknik dosya derleme yetkisi olan Tim Sieberns *4) no.lu kısımdadır – Aşağıya bakın. Beyan, üzerinde CE işareti bulunan ürünler için geçerlidir.</p>	<p>Slovenščina</p> <p>ES IZJAVA O SKLADNOSTI</p> <p>Na lastno odgovornost izjavljamo, da je Fen za vroč zrak, označen z vrsto in posebno identifikacijsko kodo *1), v skladu z vsemi ustreznimi zahtevami direktiv *2) in standardov *3). Tim Sieberns, ki je odobren za pripravo tehnične datoteke pri *4) – glejte spodaj. Deklaracija je označena na izdelku s pritrjeno oznako CE.</p>
<p>Română</p> <p>DECLARAȚIE DE CONFORMITATE CE</p> <p>Declarăm pe propria răspundere că Pistolul cu aer cald, identificat după tipul și codul de identificare specific *1), este în conformitate cu toate cerințele relevante ale directivelor *2) și ale standardelor *3). Tim Sieberns, persoana autorizată să întocmească dosarul tehnic, se află la *4) – Vezi mai jos. Declarația se referă la produsul pe care este aplicat semnul CE.</p>	<p>Slovenčina</p> <p>ES VYHLÁSENIE O ZHODE</p> <p>Týmto vyhlasujeme na vlastnú zodpovednosť, že výrobok Teplovzdušná pištoľ identifikovaný podľa typu a špecifického identifikačného kódu *1) je v zhode so všetkými príslušnými požiadavkami smerníc *2) a noriem *3). Tim Sieberns, ktorý má oprávnenie na zostavovanie technickej dokumentácie, je uvedený v bode *4) – Pozrite nižšie. Toto vyhlásenie sa vzťahuje na výrobok označený značkou CE.</p>
<p>*1) RH600T C346391S C355846S</p> <p>*2) 2006/42/EC, 2014/30/EU, 2014/35/EU, 2011/65/EU</p> <p>*3) EN60335-1:2012+A15:2021 EN60335-2-45:2002+A2:2012 EN55014-1:2006+A1:2009+A2:2011 EN55014-2:1997+A1:2001+A2:2008 EN61000-3-2:2014 EN61000-3-3:2013</p>	
<p>*4) Representative office in Europe Koki Holdings Europe GmbH Metabo-Allee 1, 72622 Nuertingen, Germany</p> <p>Head office in Japan Koki Holdings Co., Ltd. Shinagawa Intercity Tower A, 15-1, Konan 2-chome, Minato-ku, Tokyo, Japan</p> <p style="text-align: right;">  31. 3. 2025  A. Yahagi General Manager of Validation/Service Division Koki Holdings Co., Ltd. </p>	

Koki Holdings Co., Ltd.