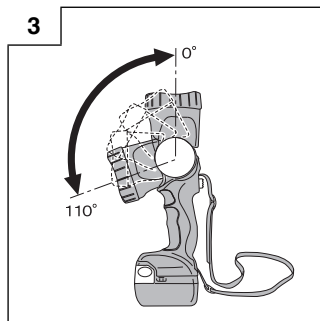
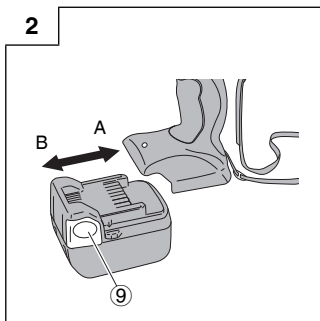
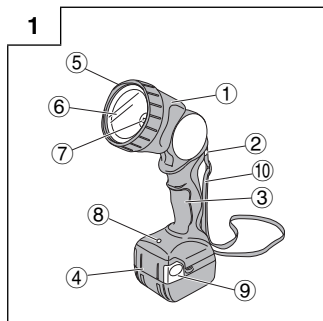


UB 18DEL



English				中国			
①	Head	⑥	Lens	①	头部	⑥	镜头
②	Switch	⑦	LED	②	开关	⑦	LED
③	Handle	⑧	Remaining battery indicator lamp	③	手柄	⑧	剩余电池电量指示灯
④	Battery	⑨	Latch	④	电池	⑨	止动销
⑤	Front cover	⑩	Strap	⑤	前盖	⑩	吊带

English

CORDLESS TORCHLIGHT UB18DEL INSTRUCTION MANUAL

⚠ WARNING:

- Be careful of electrical shock.
- When not in use or during inspection and maintenance, be sure to turn the switch OFF on the unit, and remove the battery from it.

CAUTION

- Do not look at the LED directly.
- Do not open the front cover immediately after using the torchlight because the LED is very hot.

- Be sure to turn the switch OFF when not using.
- Do not expose the torchlight to rain.
- Do not shock or disassemble the torchlight.
- Do not allow the torchlight to contact gasoline, thinner etc.
- Do not leave the torchlight in a car or the like that tends to be exposed to be searching heat of the sun (above 60°C). Otherwise, troubles can result.

SPECIFICATIONS

LED	2.1 W
Dimensions (without battery)	85 mm (diameter) × 274 mm (length)
Weight (without battery)	0.35 kg

Operating time (Approx.): Using full charged Battery

Battery	18 V		14.4 V		18 V		14.4 V		18 V		14.4 V	
	4.0 Ah		3.0 Ah		2.0 Ah		1.5 Ah					
LED	24 hours	16.5 hours	18 hours	12.5 hours	12 hours	8 hours	9 hours	6 hours				

HOW TO USE

- Battery insert/removal**
Insert the battery in direction A until it clicks. To remove, extract it in direction B while holding down the latch. (Fig. 2)
- Head angle adjustment**
The angle of the head can be adjusted according to use. The head rotates from 0° to 110° and can be fixed in 5steps. (Fig. 3)

CAUTION:

If the battery indicator lamp fails to light or goes off when the torchlight is turned on, the battery power is low. Replace or recharge the battery. Failure to do so may result in the light suddenly going off due to the over discharge protection circuit. It is advisable to occasionally check the battery indicator lamp status during use.

中国

充电式手电筒 UB18DEL 使用说明书

警告:

- 小心触电。
- 在不使用或检查和维修时, 请务必关闭装置上的开关, 并取出电池。

注意

- 请勿直接看着LED。
- 使用手电筒后请勿立即打开前盖, 因为LED很热。

- 不使用时请务必关闭开关。
- 请勿将手电筒暴露于雨中。
- 请勿震动或拆卸手电筒。
- 请勿让手电筒接触汽油、稀释剂等。
- 请勿将手电筒留在车内等易受阳光照射而发热的地方(60°C以上), 否则会引起故障。

规格

LED	2.1 W
尺寸 (电池除外)	85 mm (直径) × 274 mm (长度)
重量 (电池除外)	0.35 kg

工作时间 (约): 使用充满电的电池

电池	18 V	14.4 V	18 V	14.4 V	18 V	14.4 V	18 V	14.4 V
	4.0 Ah		3.0 Ah		2.0 Ah		1.5 Ah	
LED	24 小时	16.5 小时	18 小时	12.5 小时	12 小时	8 小时	9 小时	6 小时

使用方法

1. 装卸电池

沿着方向A插入电池直至发出咔嚓的响声。要拆下时, 请边压下止动销边沿着方向B取出电池。(图 2)

2. 头部角度调节

能根据需要调节头部角度。

头部能从0度转到110度, 并能以五档固定。(图 3)

注意:

打开手电筒时如果电池指示灯不点亮或熄灭, 说明电池电量不足。

请更换电池或给电池充电。否则可能会因过放电保护电路的作用而导致闪光灯突然熄灭。推荐使用时经常查看电池指示灯的状态。

服务中心

日立工机商业 (中国) 有限公司

上海市长宁区遵义南路88号协泰中心19B-C

制造商

日立工机亚洲有限公司

香港新界荃湾青山道388号

中国染厂大厦11楼A-D室


Hitachi Koki Co., Ltd.

212

Code No. C99206121 A

Printed in China