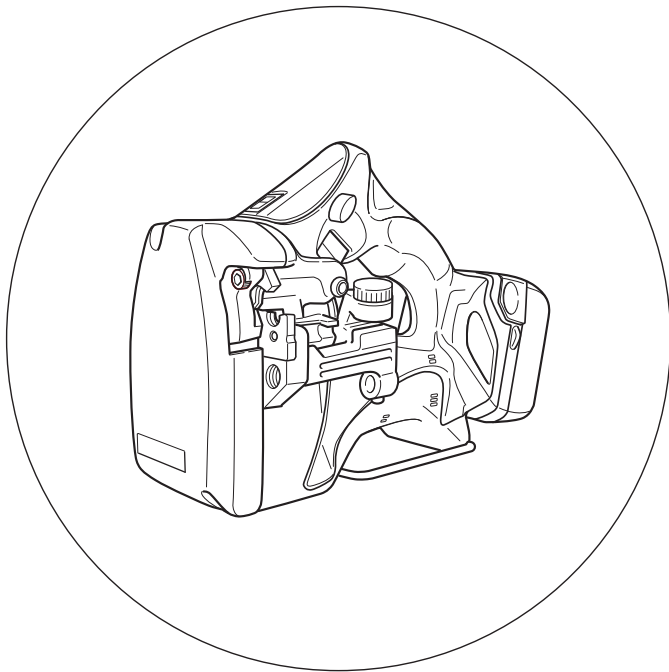


HIKOKI

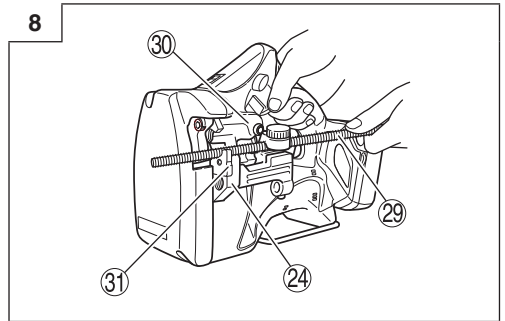
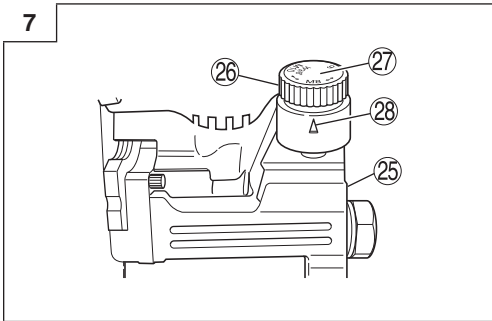
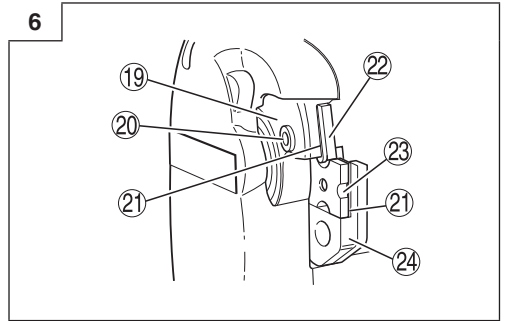
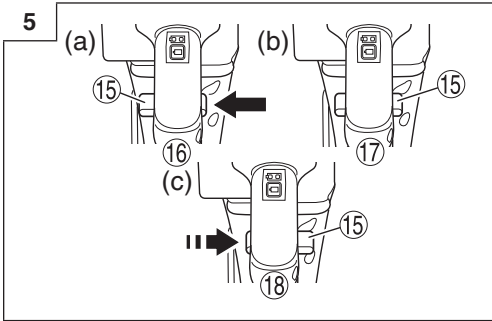
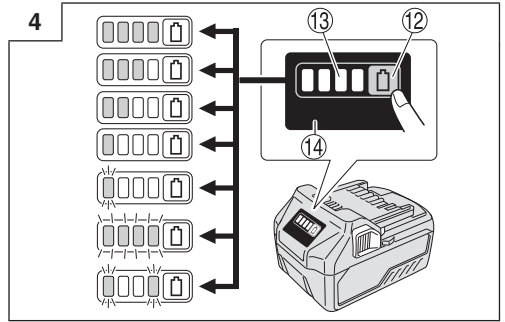
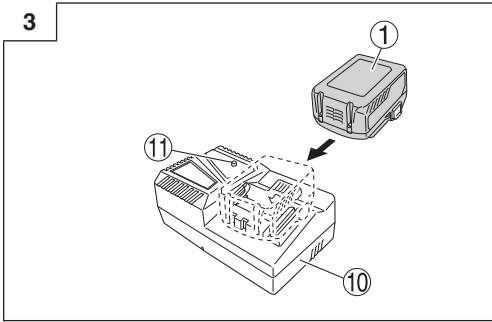
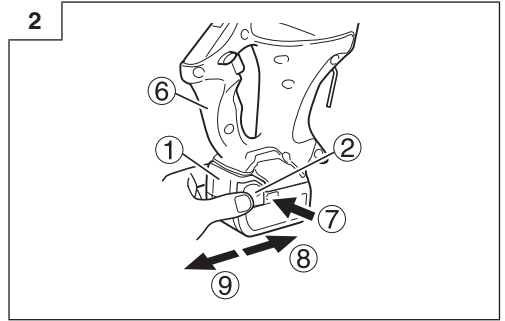
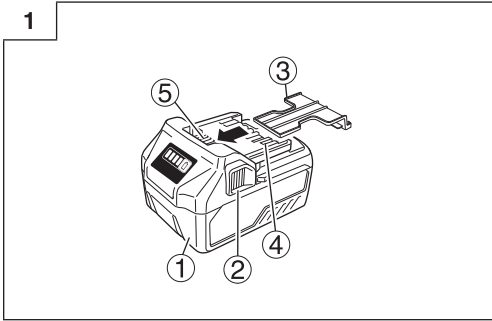
Cordless Stud Cutter 충전 전산 볼트 커터

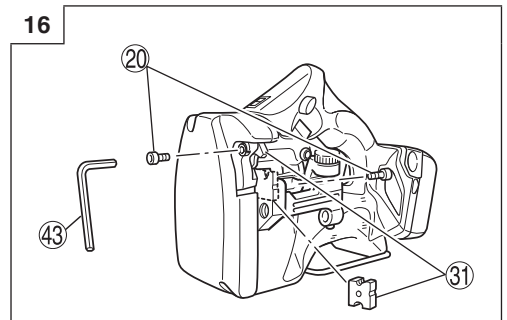
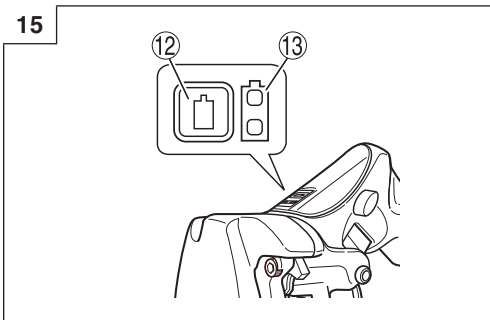
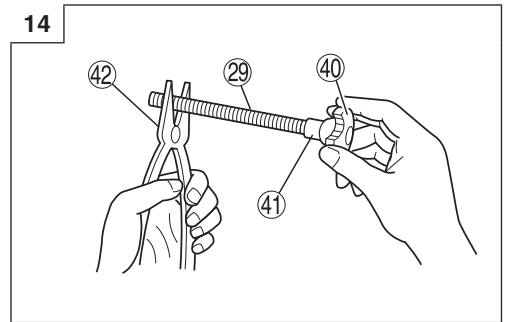
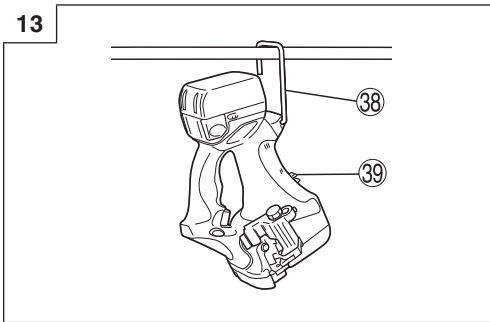
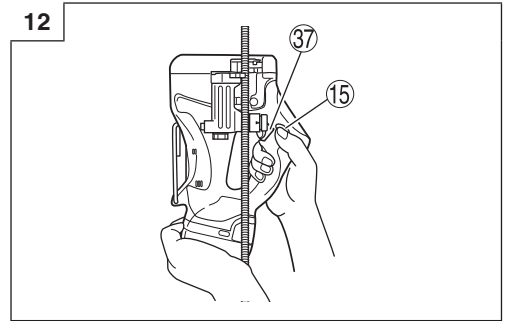
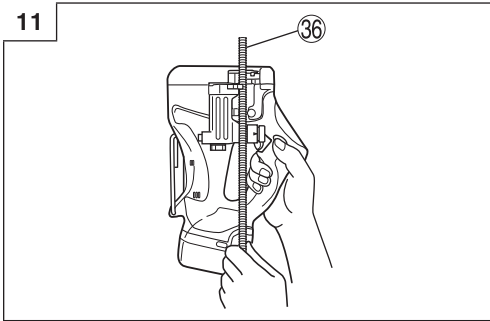
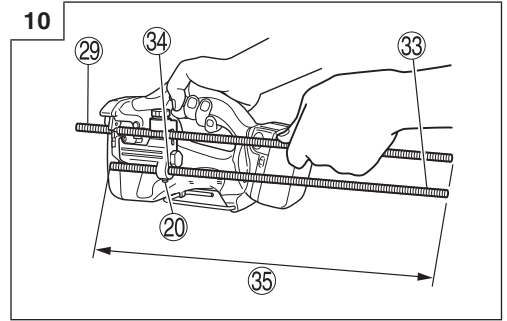
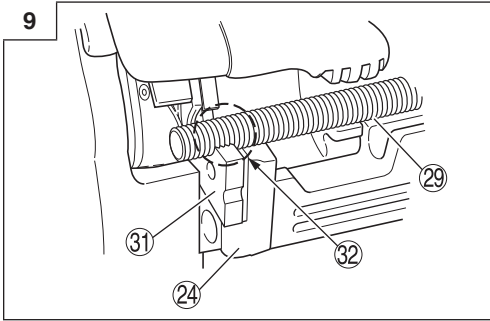
CL 18DSL

Handling instructions
취급 설명서



Read through carefully and understand these instructions before use.
본 설명서를 자세히 읽고 내용을 숙지한 뒤 제품을 사용하십시오.





	English	한국어
①	Rechargeable battery	충전식 배터리
②	Latch	래치
③	Battery cover	배터리 커버
④	Terminals	단자
⑤	Ventilation holes	통풍구
⑥	Handle	핸들
⑦	Push	누름
⑧	Insert	삽입
⑨	Pull out	빼냄
⑩	Charger	충전기
⑪	Pilot lamp	충전기 표시등
⑫	Remaining battery indicator switch	배터리 잔량 표시 스위치
⑬	Remaining battery indicator lamp	배터리 잔량 표시등
⑭	Display panel	디스플레이 패널
⑮	Forward/reverse switching button	전진/후진 전환 버튼
⑯	Cutting	절단
⑰	Lock	잠금
⑱	Reverse	후진
⑲	Bracket (A) (movable side)	브라켓 (A) (이동 부분)
⑳	Hex. socket hd. bolt	육각 구멍볼이 볼트
㉑	Spacer (used only with M6,M8 or M10)	스페이서(M6, M8, M10에만 사용)
㉒	Side without notch	노치가 없는 부분
㉓	Notch side	노치 부분
㉔	Bracket (B) (fixed side)	브라켓 (B) (고정 부분)
㉕	Stud guide	전산 볼트 가이드
㉖	Dial	다이얼
㉗	Screw size display	볼트 사이즈 디스플레이
㉘	Mark	마크
㉙	Stud	전산 볼트
㉚	Guard section	가드 영역
㉛	Cutter	커터
㉜	Correctly mesh	정확한 맞물림
㉝	Fixed length guide (First cut the stud to the required length)	고정 길이 가이드 (먼저 전산 볼트를 필요한 길이로 자름)
㉞	Stud attachment hole	전산 볼트 부착 구멍
㉟	Necessary length	필요한 길이
㊱	Stud suspended from the ceiling	천장에 매달린 전산 볼트
㊲	Trigger switch	트리거 스위치
㊳	Hook	훅
㊴	Latch	래치
㊵	Grip	그립
㊶	Entrance	삼입구
㊷	Pliers	플라이어
㊸	Hex. bar wrench	육각 렌치

GENERAL SAFETY RULES

WARNING!

Read all instructions

Failure to follow all instructions listed below may result in electric shock, fire and/or serious injury.

The term "power tool" in all of the warnings listed below refers to your mains operated (corded) power tool or battery operated (cordless) power tool.

SAVE THESE INSTRUCTIONS

1) Work area

- a) **Keep work area clean and well lit.**
Cluttered and dark areas invite accidents.
- b) **Do not operate power tools in explosive atmospheres, such as in the presence of flammable liquids, gases or dust.**
Power tools create sparks which may ignite the dust of fumes.
- c) **Keep children and bystanders away while operating a power tool.**
Distractions can cause you to lose control.

2) Electrical safety

- a) **Power tool plugs must match the outlet. Never modify the plug in any way. Do not use any adapter plugs with earthed (grounded) power tools.**
Unmodified plugs and matching outlets will reduce risk of electric shock.
- b) **Avoid body contact with earthed or grounded surfaces such as pipes, radiators, ranges and refrigerators.**
There is an increased risk of electric shock if your body is earthed or grounded.
- c) **Do not expose power tools to rain or wet conditions.**
Water entering a power tool will increase the risk of electric shock.
- d) **Do not abuse the cord. Never use the cord for carrying, pulling or unplugging the power tool. Keep cord away from heat, oil, sharp edges or moving parts.**
Damaged or entangled cords increase the risk of electric shock.
- e) **When operating a power tool outdoors, use an extension cord suitable for outdoor use.**
Use of a cord suitable for outdoor use reduces the risk of electric shock.

3) Personal safety

- a) **Stay alert, watch what you are doing and use common sense when operating a power tool. Do not use a power tool while you are tired or under the influence of drugs, alcohol or medication.**
A moment of inattention while operating power tools may result in serious personal injury.
- b) **Use safety equipment. Always wear eye protection.**
Safety equipment such as dust mask, non-skid safety shoes, hard hat, or hearing protection used for appropriate conditions will reduce personal injuries.
- c) **Avoid accidental starting. Ensure the switch is in the off position before plugging in.**
Carrying power tools with your finger on the switch or plugging in power tools that have the switch on invites accidents.

- d) **Remove any adjusting key or wrench before turning the power tool on.**

A wrench or a key left attached to a rotating part of the power tool may result in personal injury.

- e) **Do not overreach. Keep proper footing and balance at all times.**
This enables better control of the power tool in unexpected situations.
- f) **Dress properly. Do not wear loose clothing or jewellery. Keep your hair, clothing and gloves away from moving parts.**

Loose clothes, jewellery or long hair can be caught in moving parts.

- g) **If devices are provided for the connection of dust extraction and collection facilities, ensure these are connected and properly used.**
Use of these devices can reduce dust related hazards.

4) Power tool use and care

- a) **Do not force the power tool. Use the correct power tool for your application.**
The correct power tool will do the job better and safer at the rate for which it was designed.
- b) **Do not use the power tool if the switch does not turn it on and off.**
Any power tool that cannot be controlled with the switch is dangerous and must be repaired.
- c) **Disconnect the plug from the power source before making any adjustments, changing accessories, or storing power tools.**
Such preventive safety measures reduce the risk of starting the power tool accidentally.
- d) **Store idle power tools out of the reach of children and do not allow persons unfamiliar with the power tool or these instructions to operate the power tool.**
Power tools are dangerous in the hands of untrained users.
- e) **Maintain power tools. Check for misalignment or binding of moving parts, breakage of parts and any other condition that may affect the power tools' operation. If damaged, have the power tool repaired before use.**
Many accidents are caused by poorly maintained power tools.
- f) **Keep cutting tools sharp and clean.**
Properly maintained cutting tools with sharp cutting edges are less likely to bind and are easier to control.
- g) **Use the power tool, accessories and tool bits etc., in accordance with these instructions and in the manner intended for the particular type of power tool, taking into account the working conditions and the work to be performed.**
Use of the power tool for operations different from intended could result in a hazardous situation.

5) Battery tool use and care

- a) **Ensure the switch is in the off position before inserting battery pack.**
Inserting the battery pack into power tools that have the switch on invites accidents.
- b) **Recharge only with the charger specified by the manufacturer.**
A charger that is suitable for one type of battery pack may create a risk of fire when used with another battery pack.

- c) **Use power tools only with specifically designated battery packs.**
Use of any other battery packs may create a risk of injury and fire.
- d) **When battery pack is not in use, keep it away from other metal objects like paper clips, coins, keys, nails, screws, or other small metal objects that can make a connection from one terminal to another.**
Shorting the battery terminals together may cause burns or a fire.
- e) **Under abusive conditions, liquid may be ejected from the battery; avoid contact. If contact accidentally occurs, flush with water. If liquid contacts eyes, additionally seek medical help.**
Liquid ejected from the battery may cause irritation or burns.
- 6) **Service**
- a) **Have your power tool serviced by a qualified repair person using only identical replacement parts.**
This will ensure that the safety of the power tool is maintained.

PRECAUTION

Keep children and infirm persons away.

When not in use, tools should be stored out of reach of children and infirm persons.

PRECAUTIONS FOR CORDLESS STUD CUTTER

- Never bring the cutter near your fingers when operating the switch.
- Do not use for cutting screws other than soft steel studs. This tool is designed especially for cutting of soft steel studs. Using this tool for brass or stainless steel screws could cause distortions in the screw threads, thereby preventing insertion of nuts.
Never use to cut tempered bolts, screws of differing sizes, reinforcing rods, etc.
- Use by changing the special cutters according to the size of the studs. Cutting with cutters of the wrong size could damage to the continuous thread studs or the cutter edges.
- Make sure that the threads on the studs and those on the cutter are correctly meshed before starting to cut. Cutting when the threads are not meshed could cause damage to the studs and the cutter.
- If the cutter has been attached in the wrong direction or the bolt for cutter attachment is loose, this could cause damage to the cutter edge and could lead to premature damage to the main unit.
Be very careful to attach the cutter correctly.
- Cutting studs at short lengths of 10 millimeters or less will create an insufficient meshing length between the cutter and studs, thus causing damage to the cutter. Always cut at lengths of more than 10 millimeters.
- When cutting studs secured to narrow locations, be sure that there is at least 8 millimeters between the stud and the surrounding materials.
If the distance is less than 8 millimeters the cutter could contact the surrounding materials, thereby causing damage to the cutter and the main unit.
- When inspecting, cleaning or replacing the cutter, be sure to remove the battery from the main unit. The switch could be turned on accidentally, thereby causing accidents.
- When using this equipment at heights, make doubly sure prior to use that there is no one standing in the area immediately below you. Place the tool in a safe and stable place when not using at the moment.
- Always charge the battery at a temperature of 0–40°C. A temperature of less than 0°C will result in over charging which is dangerous. The battery cannot be charged at a temperature greater than 40°C. The most suitable temperature for charging is that of 20–25°C.
- Do not use the charger continuously.
When one charging is completed, leave the charger for about 15 minutes before the next charging of battery.
- Do not allow foreign matter to enter the hole for connecting the rechargeable battery.
- Never disassemble the rechargeable battery and charger.
- Never short-circuit the rechargeable battery. Short-circuiting the battery will cause a great electric current and overheat. It results in burn or damage to the battery.
- Do not dispose of the battery in fire.
If the battery is burnt, it may explode.
- Do not insert object into the air ventilation slots of the charger.
Inserting metal objects or inflammables into the charger air ventilation slots will result in electrical shock hazard or damaged charger.
- Bring the battery to the shop from which it was purchased as soon as the post-charging battery life becomes too short for practical use. Do not dispose of the exhausted battery.
- Using an exhausted battery will damage the charger.
- Do not use the product if the tool or the battery terminals (battery mount) are deformed.
Installing the battery could cause a short circuit that could result in smoke emission or ignition.
- Keep the tool's terminals (battery mount) free of swarf and dust.
 - Prior to use, make sure that swarf and dust have not collected in the area of the terminals.
 - During use, try to avoid swarf or dust on the tool from falling on the battery.
 - When suspending operation or after use, do not leave the tool in an area where it may be exposed to falling swarf or dust.
Doing so could cause a short circuit that could result in smoke emission or ignition.

CAUTION ON LITHIUM-ION BATTERY

To extend the lifetime, the lithium-ion battery equips with the protection function to stop the output.

In the cases of 1 to 3 described below, when using this product, even if you are pulling the switch, the motor may stop. This is not the trouble but the result of protection function.

- When the battery power remaining runs out, the motor stops.
In such case, charge it up immediately.
- If the tool is overloaded, the motor may stop. In this case, release the switch of tool and eliminate causes of overloading. After that, you can use it again.
- If the battery is overheated under overload work, the battery power may stop.
In this case, stop using the battery and let the battery cool. After that, you can use it again.

Furthermore, please heed the following warning and caution.

WARNING

In order to prevent any battery leakage, heat generation, smoke emission, explosion and ignition beforehand, please be sure to heed the following precautions.

1. Make sure that swarf and dust do not collect on the battery.
- During work make sure that swarf and dust do not fall on the battery.
- Make sure that any swarf and dust falling on the power tool during work do not collect on the battery.
- Do not store an unused battery in a location exposed to swarf and dust.
- Before storing a battery, remove any swarf and dust that may adhere to it and do not store it together with metal parts (screws, nails, etc.).
2. Do not pierce battery with a sharp object such as a nail, strike with a hammer, step on, throw or subject the battery to severe physical shock.
3. Do not use an apparently damaged or deformed battery.
4. Do not use the battery in reverse polarity.
5. Do not connect directly to an electrical outlets or car cigarette lighter sockets.
6. Do not use the battery for a purpose other than those specified.
7. If the battery charging fails to complete even when a specified recharging time has elapsed, immediately stop further recharging.
8. Do not put or subject the battery to high temperatures or high pressure such as into a microwave oven, dryer, or high pressure container.
9. Keep away from fire immediately when leakage or foul odor are detected.
10. Do not use in a location where strong static electricity generates.
11. If there is battery leakage, foul odor, heat generated, discolored or deformed, or in any way appears abnormal during use, recharging or storage, immediately remove it from the equipment or battery charger, and stop use.
12. Do not immerse the battery or allow any fluids to flow inside. Conductive liquid ingress, such as water, can cause damage resulting in fire or explosion. Store your battery in a cool, dry place, away from combustible and flammable items. Corrosive gas atmospheres must be avoided.

CAUTION

1. If liquid leaking from the battery gets into your eyes, do not rub your eyes and wash them well with fresh clean water such as tap water and contact a doctor immediately. If left untreated, the liquid may cause eye-problems.
2. If liquid leaks onto your skin or clothes, wash well with clean water such as tap water immediately. There is a possibility that this can cause skin irritation.
3. If you find rust, foul odor, overheating, discolor, deformation, and/or other irregularities when using the battery for the first time, do not use and return it to your supplier or vendor.

WARNING

If an electrically conductive foreign object enters the terminals of the lithium ion battery, a short-circuit may occur resulting in the risk of fire. Please observe the following matters when storing the battery.

- **Do not place electrically conductive cuttings, nails, steel wire, copper wire or other wire in the storage case.**
- **Either install the battery in the power tool or store by securely pressing into the battery cover until the ventilation holes are concealed to prevent short-circuits (See Fig. 1).**

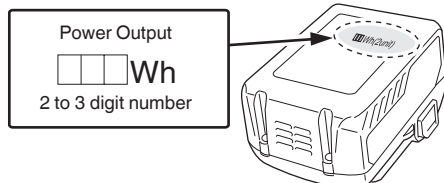
REGARDING LITHIUM-ION BATTERY TRANSPORTATION

When transporting a lithium-ion battery, please observe the following precautions.

WARNING

Notify the transporting company that a package contains a lithium-ion battery, inform the company of its power output and follow the instructions of the transportation company when arranging transport.

- Lithium-ion batteries that exceed a power output of 100 Wh are considered to be in the freight classification of Dangerous Goods and will require special application procedures.
- For transportation abroad, you must comply with international law and the rules and regulations of the destination country.



SPECIFICATIONS

POWER TOOL

Model	CL18DSL
No-load stroke	30 /min
Capacity: Soft steel studs (Size of studs for cutting)	W3/8" × 1.5875
Rechargeable battery	BSL36A18: Multi volt (10 cells)
Weight*	3.3 kg

* Includes battery, cutter and stud guide, which are standard accessories.

CHARGER

Model	UC18YFSL
Charging voltage	14.4 V-18 V
Weight	0.5 kg

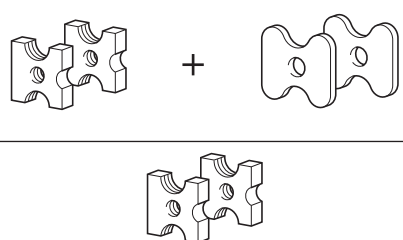
STANDARD ACCESSORIES

CL18DSL (2LXAK)	① Charger (UC18YFSL).....	1
	② Battery (BSL36A18).....	2
	③ Battery cover.....	1
	④ Plastic case.....	1
	⑤ Hexagonal bar wrench.....	1
	⑥ W3/8" Cutter.....	2
	⑦ W3/8" Trimmer.....	1
CL18DSL (NN)	Without charger, battery, battery cover and plastic case	

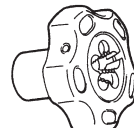
Standard accessories are subject to change without notice.

2. Cutter

Screw size	Combining cutters and spacers	
M10 × 1.5	M10 Cutter.....	2
	M10 Spacer.....	2
M8 × 1.25	M8 Cutter.....	2
	M8 Spacer.....	2
M6 × 1	M6 Cutter.....	2
	M6 Spacer.....	2
W3/8" × 1.5875	W3/8" Cutter.....	2



3. Trimmer

Screw size	
M10 × 1.5	
M8 × 1.25	
M6 × 1	
W3/8" × 1.5875	

Optional accessories are subject to change without notice.

APPLICATIONS

- Cutting of soft steel studs.

BATTERY REMOVAL/INSTALLATION

1. Battery removal

Hold the handle tightly and push the battery latch to remove the battery (see **Figs. 1** and **2**).

CAUTION

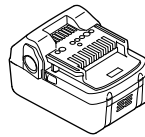
Never short-circuit the battery.

2. Battery installation

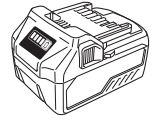
Insert the battery while observing its polarities (see **Fig. 2**).

OPTIONAL ACCESSORIES (sold separately)

1. Battery



(BSL1830)



(BSL36A18)

CHARGING

Before using the power tool, charge the battery as follows.

- 1. Connect the charger's power cord to the receptacle.**
When connecting the plug of the charger to a receptacle, the pilot lamp will blink in red (At 1- second intervals).
- 2. Insert the battery into the charger.**
Firmly insert the battery into the charger as shown in **Fig. 3** (on page 2).
- 3. Charging**
When inserting a battery in the charger, charging will commence and the pilot lamp will light continuously in red.
When the battery becomes fully recharged, the pilot lamp will blink in red. (At 1-second intervals) (See **Table 1**)
- Pilot lamp indication
The indications of the pilot lamp will be as shown in **Table 1**, according to the condition of the charger or the rechargeable battery.

Table 1

Indications of the pilot lamp				
Pilot lamp (red)	Before charging	Blinks	Lights for 0.5 seconds. Does not light for 0.5 seconds. (off for 0.5 seconds)	
	While charging	Lights	Lights continuously	
	Charging complete	Blinks	Lights for 0.5 seconds. Does not light for 0.5 seconds. (off for 0.5 seconds)	
	Charging impossible	Flickers	Lights for 0.1 seconds. Does not light for 0.1 seconds. (off for 0.1 seconds)	Malfunction in the battery or the charger
	Overheat standby	Blinks	Lights for 1 second. Does not light for 0.5 seconds. (off for 0.5 seconds)	Battery overheated. Unable to charge. (Charging will commence when battery cools)

- Regarding the temperatures and charging time of the battery. The temperatures and charging time will become as shown in **Table 2**.

Table 2

Charger		UC18YFSL					
Battery	Type of battery	Li-ion					
	Temperatures at which the battery can be recharged	0°C–50°C					
	Charging voltage	V	14.4		18		
	Charging time, approx. (At 20°C)	min	BSL14xx series		BSL18xx series		Multi volt series
			(4 cells)	(8 cells)	(5 cells)	(10 cells)	(10 cells)
			BSL1415S : 20 BSL1415 : 22 BSL1415X : 22 BSL1420 : 30 BSL1425 : 35 BSL1430C : 45	BSL1430 : 45 BSL1440 : 60 BSL1450 : 75 BSL1460 : 90	BSL1815S : 20 BSL1815 : 22 BSL1815X : 22 BSL1820 : 30 BSL1825 : 35 BSL1830C : 45 BSL1850C : 75	BSL1830 : 45 BSL1840 : 60 BSL1850 : 75 BSL1860 : 90	BSL36A18 : 75 BSL36B18 : 120

NOTE

The recharging time may vary according to the ambient temperature and power source voltage.

CAUTION

When the battery charger has been continuously used, the battery charger will be heated, thus constituting the cause of the failures. Once the charging has been completed, give 15 minutes rest until the next charging.

4. **Disconnect the charger's power cord from the receptacle.**
5. **Hold the charger firmly and pull out the battery.**

Regarding electric discharge in case of new batteries, etc.

As the internal chemical substance of new batteries and batteries that have not been used for an extended period is not activated, the electric discharge might be low when using them the first and second time. This is a temporary phenomenon, and normal time required for recharging will be restored by recharging the batteries 2–3 times.

How to make the batteries perform longer.

- (1) Recharge the batteries before they become completely exhausted.
When you feel that the power of the tool becomes weaker, stop using the tool and recharge its battery. If you continue to use the tool and exhaust the electric current, the battery may be damaged and its life will become shorter.
- (2) Avoid recharging at high temperatures.
A rechargeable battery will be hot immediately after use. If such a battery is recharged immediately after use, its internal chemical substance will deteriorate, and the battery life will be shortened. Leave the battery and recharge it after it has cooled for a while.

CAUTION

- If the battery is charged while it is heated because it has been left for a long time in a location subject to direct sunlight or because the battery has just been used, the pilot lamp of the charger lights up green or lights for 1 second, does not light for 0.5 seconds (off for 0.5 seconds). In such a case, first let the battery cool, then start charging.
- When the pilot lamp flickers in red (at 0.2-seconds intervals), check for and take out any foreign objects in the charger's battery connector. If there are no foreign objects, it is probable that the battery or charger is malfunctioning. Take it to your authorized Service Center.
- Since the built-in micro computer takes about 3 seconds to confirm that the battery being charged with chargers are taken out, wait for a minimum of 3 seconds before reinserting it to continue charging. If the battery is reinserted within 3 seconds, the battery may not be properly charged.

PRIOR TO OPERATION

1. Preparing and checking the work environment

Make sure that the work site meets all the conditions laid forth in the precautions.

2. Checking the battery

Make sure that the battery is installed firmly. If it is at all loose it could come off and cause an accident.

3. Setting the forward/reverse switching button

- (1) Push the forward/reverse switching button from the right as shown in **Fig. 5 (a)**. Cutting is possible.
- (2) By setting the forward/reverse switching button in the lock position as shown in **Fig. 5 (b)**, the motor will not operate even if the trigger switch is pulled. When carrying or storing the main unit or when stopping operations, set the forward/reverse switching button to the lock position (**Fig. 5 (b)**).
- (3) Push the forward/reverse switching button from the left as shown in **Fig. 5 (c)**. With the button held down, pull the trigger switch so that the cutter can be removed from the stud. Only set to this position if the rechargeable battery is worn out and the unit stops operating during cutting. Immediately turn off the switch after the cutter has been removed from the stud.

CAUTION

Do not attempt to cut in the reverse position (**Fig. 5 (c)**). If you attempt to cut in this position, there will be an overload on the motor and cutting will not be possible. Never apply excessive force to the main unit as this can cause damage to the unit.

4. Check the cutter size, attachment direction, attachment bolt and spacer

- (1) The cutter size differs according to the size of the studs to be cut. Make sure that a cutter is attached that conforms to the size of the studs to be cut.
- (2) Cutter attachment includes directionality. Make sure that the cutter has been attached so that the side without the notch on the cutter can be seen on bracket (A) (movable side) when the main unit is viewed from the front or that the notch on the cutter surface can be seen on bracket (B) (fixed side).
- (3) Use the accessory hexagonal wrench to insure that the hex. socket hd. bolt for attaching the cutter is securely tightened (**Fig. 6**). Using the equipment while the bolt is loose could cause damage to the main unit and cutter.

- (4) Depending on the size of the studs it may be necessary to attach special spacers to the cutter.

① When using the M10, M8 or M6 cutter

Check and confirm that the accessory M6, M8 or M10 spacers are correctly inserted respectively between bracket (A) and the cutter and bracket (B) and the cutter (**Fig. 6**).

CAUTION

If the spacers are not attached or if spacers of the wrong size are used, the threads of the cutter and the studs will not properly mesh, thereby causing damage to the studs and the cutter edge. Be sure to attach spacers correctly.

② When using the W3/8" cutter

No spacers are required. Check and confirm that only the cutter is attached.

For details, refer to the section on "Cutter life and replacement".

5. Correctly insert the stud guide

The stud guide is used to prevent tilting during cutting of studs. Correctly adjust the dial calibration to the mark (Δ) depending on the size of the stud to be cut (**Fig. 7**).

CAUTION

If the size of the stud and the dial position to do not agree, the cut section may be subjected to burrs or its shape may be distorted, which may result in damage to the main unit.

HOW TO USE

CAUTION

- Never bring the cutter near your fingers when operating the trigger switch.
- When cutting short studs, take caution as to not place your fingers in the space between the short stud and main unit, such as the guard section (see **Fig. 8**), battery, etc.
- After cutting, the cut section of the stud is very sharp and therefore dangerous. Be very careful when handling the stud.

1. Normal Cutting Method

- (1) Pull the trigger switch and move bracket (A), stopping with the cutter in the open position shown in **Fig. 8**.
- (2) As shown in **Fig. 9**, set the stud to be cut in the cutter on the bracket (B) side, making sure that the threads correctly mesh with each other.
- (3) While maintaining the stud in a horizontal position, pull the trigger switch all the way to cut the stud (**Fig. 8**).
- (4) After cutting turn off the switch with bracket (A) facing directly upward. The unit stops with the cutter in the open position, thus making it easier to proceed to the next operation.

2. Number of cuttings (per battery charging)

Refer to the chart below for the number of cuttings per battery charging.

Table 3

Battery	W3/8"
BSL1830	920
BSL36A18	1520

The number of cuttings can also vary somewhat according to the ambient temperature, characteristics of the battery and the condition of the cutter.

3. Cutting fixed lengths (Fig. 10)

When cutting several studs to the same length, using the equipment in the following way will making cutting operations more efficient.

- (1) First cut one stud to the required length, and then use it as a fixed length guide.
- (2) Insert the stud used as a fixed length guide in the stud attachment hole found on the main unit stud guide and use the hexagonal bar wrench to tighten and secure the hex. socket hd. bolt. Adjust at this time so that the distance between the end of the stud used as a fixed length and the cutter is the necessary length.
- (3) Insert the stud for cutting in the cutter, aligning the end with that of the stud used as a cutting guide, and then cut the stud.

4. Cutting studs that are already secured (Fig. 11)

When cutting studs that are suspended from the ceiling or secured to walls or floors.

When inserting the stud in the cutter, the meshing of the stud thread and cutter thread is unstable. In such a case, after inserting the stud in the cutter, lightly pull the trigger switch to close the cutter at low speed and then completely mesh the stud and the upper and lower cutters. Next, pull the trigger switch all the way to cut the stud.

CAUTION

Use your one hand to hold the stud on the side released by cutting to insure that it does not fall unexpectedly.

5. Removing the screw from the unit during cutting operations

If the battery wears out during cutting operations so that the motor stops rotating, pull the trigger switch while pushing the forward/reverse switching button to the reverse side (Fig. 5 (c)). The motor will rotate in the opposite direction and it will be possible to remove the stud from the cutter(Fig. 12).

CAUTION

- When removing a stud that is suspended from the ceiling, hold the main unit with both hands to prevent any possibility of the stud falling.
- Immediately turn off the switch once the cutter is free from the stud. If you attempt to do this with the switch turned on, the cutter might cut into the stud again.

6. Using the hook

The hook can be used to hang up the unit temporarily during operations (Fig. 13).

CAUTION

The hook should never be used to hang the unit on your person.

When using the hook, check to make sure that the main unit will not slip and fall, or become unstable by the wind, etc.

Never hang the unit from your belt or trousers as this could cause accidents.

NOTE:

During normal use or during storage, store the hook in the latch found on the bottom of the main unit.

7. Using the trimmer

NOTE: Use a special trimmer that is suitable for the size of the stud.

If it is difficult for the nut to enter the cutting position, either use a wrench to firmly tighten the nut or use the accessory trimmer to remove the flange on the screw thread.

Insert the stud in the hole on the grip. Use a pliers to retain the stud and rotate the trimmer 5 or 6 times to the right to remove the flange and then rotate in the opposite direction to remove the trimmer (Fig. 14).

CAUTION




This trimmer is specially designed for Studs Cutter. The flange on studs cut with a hacksaw or disc grinder is too large for this trimmer so that the trimmer does not rotate and it is not possible to remove flange.

8. About Remaining Battery Indicator

When pressing the remaining battery indicator switch, the remaining battery indicator lamp lights and the battery remaining power can be checked. (Fig. 4, 15) When releasing your finger from the remaining battery indicator switch, the remaining battery indicator lamp goes off. The Table 4, 5 shows the state of remaining battery indicator lamp and the battery remaining power.

Table 4





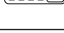


Power tool

State of lamp	Battery Remaining Power
	The battery remaining power is enough.
	The battery remaining power is a half.
	The battery remaining power is nearly empty. Re-charge the battery soonest possible.

As the remaining battery indicator shows somewhat differently depending on ambient temperature and battery characteristics, read it as a reference.

Table 5

Battery

	Lights ; The battery remaining power is over 75%
	Lights ; The battery remaining power is 50%–75%.
	Lights ; The battery remaining power is 25%–50%.
	Lights ; The battery remaining power is less than 25%
	Blinks ; The battery remaining power is nearly empty. Recharge the battery soonest possible.
	Blinks ; Output suspended due to high temperature. Remove the battery from the tool and allow it to fully cool down.
	Blinks ; Output suspended due to failure or malfunction. The problem may be the battery so please contact your dealer.

NOTE

- When using a Multi-volt battery, please refer to the indicator lamp on the battery for the battery remaining power.

- Do not give a strong shock to the switch panel or break it. It may lead to a trouble.
- To save the battery power consumption, the remaining battery indicator lamp lights while pressing the remaining battery indicator switch.

CUTTER LIFE AND REPLACEMENT

1. Cutter life

As is shown in **Fig. 17**, repeated cutting can cause breaking and warping of the cutter edge. Using the cutter in this condition can produce flange on the cutting location of the studs so that the threads are distorted. This will prevent clean cuts and make it impossible to insert the nut.

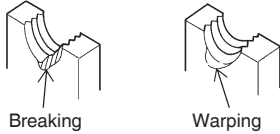


Fig. 17

As is shown in **Fig. 18**, the edge is found on four locations on the cutter. Use the method described below to change the attachment direction of the cutter to allow a total of four usages.

If the nut does not fit on the screw due to breaking and warping of the edge, change the cutter attachment direction to use the edge without breaking and warping or replace with a new cutter.

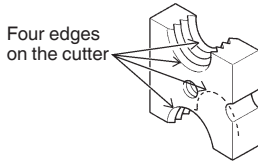


Fig. 18

2. Changing the cutter attachment direction or replacing the cutter

- (1) Before removing:
 - ① Pull the trigger switch and move bracket (A), stopping with the cutter in the open position.
 - ② Set the forward/reverse switching button to the lock position (**Fig. 5 (b)**).
 - ③ Remove the rechargeable battery from the main unit.
- (2) Removal
Use the accessory hexagonal bar wrench to remove the hex. socket hd. bolt. It is now possible to remove the cutter and spacer.
- (3) Before attaching
 - ① There are four edges on the cutter. As shown in **Fig. 19**, by changing the position of the edge it is possible to use the blade four times.

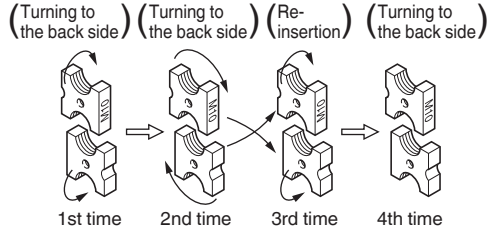


Fig. 19

- ② There is directionality for cutter attachment in order to change the position of the edge. Check that the cutter has been attached so that the side without the notch on the cutter can be seen on bracket (A) (movable side) when seen from the main unit viewed from the front or that the notch on the cutter surface on bracket (B) (fixed side) can be seen (**Figs. 6 and 20**).

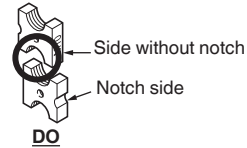


Fig. 20

- ③ If there is breakage or warping on the cutter edge or if there are bulges on the cutter attachment surface, use a file to the areas flat.
- ④ Use brush to remove the filings attached to the cutter attachment groove on the bracket.

CAUTION

As shown in **Fig. 21**, if the cutters are combined in such a way that both side without the notch on the cutter or both notch sides are facing out, the pitch of the threads on the studs and the threads on the cutter will not be in agreement. This can cause damage to the cutter edge or cause wear to premature damage to the main unit.




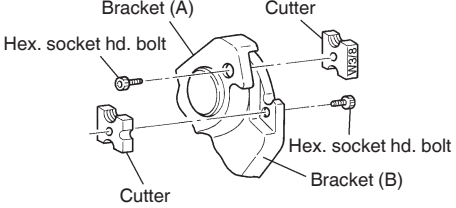
DON'T

Fig. 21

- (4) Attachment
When using the W3/8" cutter
Insert the cutter in the cutter attachment groove on the bracket and then use the hex. socket hd. bolt to tighten and secure.

CAUTION

The hex. socket hd. bolt should be sufficiently tightened with the hexagonal wrench.

Size		Attachment
W3/8"		

CAUTION

Use special cutters and spacers that conform with the size of the stud. Using cutters and spacers of the wrong size or confusing them can lead to damage to the stud and cutter.

MAINTENANCE AND INSPECTION**CAUTION**

Be sure to remove the rechargeable battery from the unit during inspection and cleaning.

1. Care after use

After use, use a brush to brush off the work area, especially the area around the blade.

2. Inspecting the mounting screws

Regularly inspect all mounting screws and ensure that they are properly tightened. Should any of the screws be loose, retighten them immediately. Failure to do so could result in serious hazard.

3. Inspection of terminals (tool and battery)

Check to make sure that swarf and dust have not collected on the terminals.

On occasion check prior, during and after operation.

CAUTION

Remove any swarf or dust which may have collected on the terminals.

Failure to do so may result in malfunction.

4. Cleaning on the outside

When the power tool is stained, wipe with a soft dry cloth or a cloth moistened with soapy water. Do not use chloric solvents, gasoline or paint thinner, for they melt plastics.

5. Storage

Store the power tool in a place in which the temperature is less than 40°C and out of reach of children.

NOTE

Storing lithium-ion batteries.

Make sure the lithium-ion batteries have been fully charged before storing them.

Prolonged storage (3 months or more) of batteries with a low charge may result in performance deterioration, significantly reducing battery usage time or rendering the batteries incapable of holding a charge.

However, significantly reduced battery usage time may be recovered by repeatedly charging and using the batteries two to five times.

If the battery usage time is extremely short despite repeated charging and use, consider the batteries dead and purchase new batteries.

CAUTION

In the operation and maintenance of power tools, the safety regulations and standards prescribed in each country must be observed.

Important notice on the batteries for the HiKOKI cordless power tools

Please always use one of our designated genuine batteries. We cannot guarantee the safety and performance of our cordless power tool when used with batteries other than these designated by us, or when the battery is disassembled and modified (such as disassembly and replacement of cells or other internal parts).

NOTE

Due to HiKOKI's continuing program of research and development, the specifications herein are subject to change without prior notice.

일반적인 안전 수칙

경고!

설명서를 자세히 읽으십시오.

설명서의 내용에 따르지 않을 시에는 감전 사고나 화재가 발생할 수 있으며 심각한 부상을 입을 수도 있습니다.

아래에 나오는 '전동 툴'이란 용어는 플러그를 콘센트에 연결해 유선 상태로 사용하는 제품 또는 배터리를 넣어 무선 상태로 사용하는 제품을 가리킵니다.

설명서의 내용을 숙지하십시오.

1) 작업 공간

- 작업 공간을 깨끗하게 청소하고 조명을 밝게 유지하십시오.
작업 공간이 정리되어 있지 않거나 어두우면 사고가 날 수 있습니다.
- 인화성 액체나 기체 또는 먼지 등으로 인해 폭발 위험이 있는 환경에서는 전동 툴을 사용하지 마십시오.
전동 툴을 사용하다 보면 불꽃이 튀어서 먼지나 기체에 불이 붙을 수 있습니다.
- 어린이를 비롯하여 사용자 외에는 작업장소에 접근하지 못하도록 하십시오.
주의가 산만해지면 문제가 생길 수 있습니다.

2) 전기 사용시 주의사항

- 전동 툴을 플러그와 콘센트가 일치해야 합니다.
플러그를 절대로 변형하지 마십시오.
접지된 전동 툴에는 어댑터 플러그를 사용하지 마십시오.
플러그를 변형하지 않고 알맞은 콘센트에 꽂아 사용하면, 감전 위험을 줄일 수 있습니다.
- 파이프, 라디에이터, 레인지, 냉장고 등 접지된 표면에 물이 닿지 않도록 주의하십시오.
작업자의 몸이 접지되면, 감전될 위험이 있습니다.
- 전동 툴에 비를 맞거나 젖은 상태로 두지 마십시오.
물이 들어가면 감전될 위험이 있습니다.
- 코드를 조심해서 다루십시오. 전동 툴을 들거나 당기거나 콘센트에서 뽑으려고 할 때 코드를 잡아당기면 안 됩니다.
열, 기름, 날카로운 물건, 움직이는 부품 등으로부터 코드를 보호하십시오.
코드가 파손되거나 영키면 감전될 위험이 높아집니다.
- 실외에서 전동 툴을 사용할 때는 실외 용도에 적합한 연장선을 사용하십시오.
실외 용도에 적합한 코드를 사용해야 감전 위험이 줄어듭니다.

3) 사용자 주의사항

- 전동 툴을 사용할 때는 작업에 정신을 집중하고, 상상의 범위 내에서 사용하십시오.
약물을 복용하거나 알코올을 섭취한 상태 또는 피곤한 상태에서는 전동 툴을 사용하지 마십시오.
전동 툴을 사용할 때 주의가 흐트러지면 심각한 부상을 입을 수 있습니다.
- 안전 장비를 사용하십시오. 항상 눈 보호 장구를 착용해야 합니다.
먼지 보호 마스크, 미끄럼 방지 신발, 안전모, 청각 보호 장비 등을 사용하면 부상을 줄일 수 있습니다.
- 전동 툴이 갑자기 작동되지 않도록 합니다. 플러그를 꽂기 전에 스위치가 'OFF' 위치에 있는지 확인하십시오.
손가락을 스위치에 접촉한 채 전동 툴을 들거나 스위치가 켜진 상태로 플러그를 꽂으면 사고가 날 수 있습니다.

- 전원을 켜기 전에 조정 키 또는 렌치를 반드시 제거해야 합니다.
전동 툴의 회전 부위에 키 또는 렌치가 부착되어 있으면, 부상을 입을 수 있습니다.
- 작업 대상과의 거리를 잘 조절하십시오. 알맞은 발판을 사용하고 항상 균형을 잡고 있어야 합니다.
그렇게 하면 예기치 못한 상황에서도 전동 툴을 잘 다룰 수 있습니다.
- 알맞은 복장을 갖추십시오. 헐렁한 옷이나 장신구를 착용하면 안 됩니다. 머리카락, 옷, 장갑 등을 움직이는 부품으로부터 보호하십시오.
헐렁한 옷이나 장신구, 긴 머리카락이 부품에 밀려 들어갈 수도 있습니다.
- 부진 추출 및 집진 장비에 연결할 수 있는 장치가 제공되는 경우, 그러한 장치가 잘 연결되어 있고 제대로 작동하는지 확인하십시오.
이러한 장치를 사용하면, 먼지와 관련된 사고를 줄일 수 있습니다.

4) 전동 툴 사용 및 관리

- 전동 툴을 아무 곳이나 사용하지 마십시오. 용도에 알맞은 전동 툴을 사용하십시오.
적절한 전동 툴을 사용하면, 정상 속도로 안전하고 효과적으로 작업을 수행할 수 있습니다.
- 스위치를 눌렀을 때 전동 툴이 켜지거나 꺼지지 않으면 사용하지 마십시오.
스위치로 작동시킬 수 없는 전동 툴은 위험하므로, 스위치를 받아야 합니다.
- 전동 툴을 조정하거나 부품들을 바꾸거나 보관할 때는 반드시 전원에서 플러그를 빼야 합니다.
이러한 안전 조치를 취해야 전동 툴이 갑자기 켜지는 위험을 피할 수 있습니다.
- 사용하지 않는 전동 툴은 어린이의 손이 닿지 않는 곳에 보관하고, 사용법을 잘 모르는 사람이 사용하지 못하도록 하십시오.
전동 툴은 미숙한자가 다루기에는 매우 위험한 물건입니다.
- 전동 툴을 잘 관리하십시오. 움직이는 부품이 잘 결합되어 있거나 꼭 끼어 움직이지 못하게 되어 있지 않은지 점검하십시오. 또한 전동 툴의 작동에 영향을 미칠 수 있는 기타 파손이 없는지 확인하십시오.
파손된 부분이 있는 경우, 사용하기 전에 수리하십시오.
전동 툴을 제대로 관리하지 못해서 생기는 사고가 많습니다.
- 절삭 툴은 날카롭고 청결한 상태로 관리하십시오.
절삭 날을 날카로운 상태로 잘 관리하면, 원활하게 잘 움직이며 다루기도 훨씬 편합니다.
- 설명서를 참조하여 전동 툴과 부품들, 툴 비트 등을 사용하십시오. 또한 작업 환경과 수행할 작업의 성격을 고려해서 알맞은 종류의 전동 툴을 선택하고, 적절한 방식으로 사용하십시오.
원래 목적과 다른 용도로 전동 툴을 사용하면 위험한 사고가 날 수 있습니다.

5) 배터리 도구 사용 및 관리

- 배터리 팩을 삽입하기 전에 스위치가 꺼졌는지 확인하십시오.
스위치가 켜진 상태에서 배터리 팩을 전동 툴에 삽입하면 사고가 발생할 수 있습니다.
- 제조업체가 지정한 충전기로만 충전하십시오.
한 종류의 배터리 팩에 적합한 충전기는 다른 배터리 팩에 사용될 때 화재 위험을 발생시킬 수 있습니다.
- 구체적으로 지정된 배터리 팩만 전동 툴에 사용하십시오.
다른 배터리 팩을 사용하면 부상 및 화재의 위험이 발생할 수 있습니다.

- d) 배터리 팩을 사용하지 않을 때는 종이 클립, 동전, 열쇠, 못, 나사와 같은 기타 금속 물체 또는 단자간 연결을 만들어낼 수 있는 기타의 작은 금속 물체와 떨어져 있는 곳에 놓아두십시오.
배터리 단자가 모두 단락되면 화재 또는 화재가 발생할 수 있습니다.
 - e) 가혹한 조건 하에서 액체가 배터리에서 누출될 수 있습니다. 배터리 누액과 접촉하지 마십시오. 배터리 누액과 우발적으로 접촉할 경우 물로 씻으십시오. 배터리 누액이 눈에 들어갈 경우 의사의 진찰을 받으십시오.
배터리에서 누출되는 액체는 염중 또는 화상을 일으킬 수 있습니다.
- 6) 서비스
- a) 자격을 갖춘 전문가에게 서비스를 받고, 항상 원래 부품과 동일한 것으로 교체해야 합니다.
그렇게 하면 전통 툴을 보다 안전하게 사용할 수 있습니다.

주의사항

어린이나 노약자가 가까이 오지 못하도록 하십시오.
전통 툴을 사용하지 않을 때는 어린이나 노약자의 손이 닿지 않는 곳에 보관해야 합니다.

충전 전산 볼트 커터의 주의사항

1. 스위치를 조작할 때는 손가락을 커터에서 멀리 두십시오.
2. 연강 전산 볼트의 절단에만 사용하십시오. 이 공구는 연강 전산 볼트의 절단용으로 특별히 설계되었습니다. 황동 또는 스테인리스강 볼트에 이 공구를 사용하면 나사산이 비틀려 너트와 체결이 불가능할 수 있습니다.
뜨임 처리 볼트, 사이즈가 다른 볼트, 절근 등의 절단에는 절대로 사용하지 마십시오.
3. 전산 볼트의 사이즈에 맞는 커터를 사용하십시오.
사이즈가 맞지 않는 커터로 절단하면 전산 볼트 또는 커터 날이 손상될 수 있습니다.
4. 절단을 시작하기 전에 전산 볼트의 나사산과 커터의 나사산이 정확하게 맞물리는지 확인하십시오. 나사산이 맞물리지 않는 상태에서 절단을 진행하면 전산 볼트 및 커터가 손상될 수 있습니다.
5. 커터를 틀린 방향으로 부각하거나 커터 부각 볼트가 느슨하면 커터 날이 손상되어 공구의 조기 손상이 발생할 수 있습니다.
커터를 올바르게 부각하도록 각별히 주의하십시오.
6. 길이가 10 mm 이하로 짧은 전산 볼트를 절단하면 커터와 전산 볼트 사이의 맞물림 길이가 충분하지 못해 커터가 손상될 수 있습니다. 그러므로 항상 10 mm 이상의 길이로 절단하십시오.
7. 협소한 위치에 고정된 전산 볼트를 절단할 때는 전산 볼트와 주변 물체 사이에 8 mm 이상의 간격을 띄우십시오.
간격이 8 mm 미만이면 커터가 주변 물체에 닿아 커터 및 본체가 손상될 수 있습니다.
8. 커터를 검사, 청소 또는 교체할 때는 반드시 공구에서 배터리를 분리하십시오. 우발적으로 전원이 켜지면 사고가 발생할 수 있습니다.
9. 이 공구를 높은 곳에서 사용할 때는 사용하기 전에 반드시 바로 아래 영역에 사람이 있는지 확인하십시오. 잠시라도 사용하지 않을 때는 공구를 안전하고 안전한 장소에 두십시오.
10. 항상 배터리를 0°C~40°C의 온도에서 충전하십시오. 0°C보다 낮은 온도에서 충전하면 과충전되어 위험해질 수 있습니다. 배터리는 40°C보다 높은 온도에서 충전할 수 없습니다. 가장 적합한 충전 온도는 20°C~25°C입니다.

11. 배터리 한 개를 충전한 후 15분 정도 기다렸다가 다음 배터리를 충전하십시오. 두 개 이상의 배터리를 연속적으로 충전하지 마십시오.
 12. 충전식 배터리 연결 구멍에 이물질이 들어가지 않게 하십시오.
 13. 충전식 배터리와 충전기를 절대로 분해하지 마십시오.
 14. 충전식 배터리를 절대로 단락시키지 마십시오. 배터리를 단락시키면 전류가 높아져 과열됩니다. 화상을 입거나 배터리가 손상됩니다.
 15. 배터리를 불속에 버리지 마십시오.
배터리가 타면 폭발할 수 있습니다.
 16. 물체를 충전기 통기 홈에 넣지 마십시오. 금속 물체 또는 인화물을 충전기 통기 홈에 넣으면 감전될 위험이 있거나 충전기가 손상됩니다.
 17. 수명후 배터리 수명이 실제 사용 중에 너무 짧아지면 배터리를 구입점에 즉시 갖고 오십시오. 수명을 다한 배터리는 버리지 마십시오.
 18. 수명을 다한 배터리를 사용하면 충전기가 손상됩니다.
 19. 공구 또는 배터리 단자(배터리 마운트)가 변형된 경우 제품을 사용하지 마십시오.
배터리를 설치하다가 합선되어 연기가 나거나 불이 붙을 수 있습니다.
 20. 공구의 단자(배터리 마운트)에 부스러기와 먼지가 묻지 않도록 하십시오.
- 사용 전에 부스러기와 먼지가 단자 주변에 쌓이지 않았는지 확인하십시오.
 - 사용 중에 공구에서 발생한 부스러기나 먼지가 배터리에 떨어지지 않도록 주의하십시오.
 - 전산 절단기 작동할 경우 또는 사용 후에 부스러기나 먼지가 떨어질 수 있는 곳에 공구를 두지 마십시오.
합선되어 연기가 나거나 불이 붙을 수 있습니다.

리튬-이온 배터리에 대한 주의사항

수명을 연장하기 위해서 리튬-이온 배터리에는 출력을 중지시키기 위한 보호 기능이 탑재되어 있습니다.
아래에서 설명한 1에서 3의 경우에, 이 제품을 사용할 때, 스위치를 잠가두고 있을 때조차, 모터가 정지할 수 있습니다. 이것은 문제는 아니지만 보호 기능의 결과입니다.

1. 낮은 배터리 전원이 모두 소모되면, 모터가 정지합니다.
그러한 경우 즉시 충전하십시오.
2. 공구에 과부하가 발생하면 모터가 정지할 수 있습니다.
이러한 경우 공구의 스위치를 놓은 후 과부하의 원인을 제거하십시오. 그런 다음 공구를 다시 사용할 수 있습니다.
3. 배터리가 과부하 작용으로 인해 과열된 경우 배터리 전원이 정지할 수 있습니다.
이러한 경우 배터리 사용을 중지하고 배터리를 냉각시키십시오. 그런 다음 공구를 다시 사용할 수 있습니다.

또한 다음 경과 및 주의사항에 주의하십시오.

경고

배터리 누액, 발열, 연기 배출, 폭발 및 점화를 사전에 방지하려면, 다음 주의사항에 주의하십시오.

1. 부스러기와 먼지가 배터리에 묻쳐 있지 않은지 확인하십시오.
- 작업 중에 부스러기와 먼지가 배터리에 떨어지지 않은지 확인하십시오.
- 작업 중에 전통 툴에 떨어지는 부스러기와 먼지가 배터리에 묻쳐 있지 않는지 확인하십시오.
- 부스러기와 먼지에 노출된 위치에 미사용 배터리를 보관하지 마십시오.
- 배터리를 보관하기 전에, 배터리에 붙을 수 있는 부스러기와 먼지를 모두 제거하고 배터리를 금속 부품(나사, 못 등)과 함께 보관하지 마십시오.

- 못과 같은 날카로운 물체로 배터리에 구멍을 내거나, 배터리를 망치로 두들기거나, 밟거나, 던지거나 배터리에 심한 물리적 충격을 가하지 마십시오.
- 손상되거나 변형된 듯한 배터리는 사용하지 마십시오.
- 배터리의 음극과 양극을 반대로 맞춰 사용하지 마십시오.
- 배터리를 전기 콘센트 또는 차량 시가 라이터 소켓에 직접 연결하지 마십시오.
- 배터리를 지정된 목적 이외의 목적으로 사용하지 마십시오.
- 지정된 충전 시간이 경과했는데도 배터리 충전이 완료되지 않을 경우 충전을 즉시 중지하십시오.
- 배터리를 전자 레인지, 드라이어 또는 고압 용기 등과 같은 고온 또는 고압 기기에 넣거나 고온 또는 고압에 노출시키지 마십시오.
- 누액 또는 악취가 감지되는 즉시 불에서 멀리 떨어지십시오.
- 강력한 정전기가 발생하는 곳에서는 사용하지 마십시오.
- 사용, 충전 또는 보관 중에 배터리 누액, 악취, 발열, 변색 또는 변형이 있을 경우, 또는 어떤 식으로든 비정상적으로 보일 경우, 배터리를 즉시 장치 또는 배터리 충전기에서 제거한 후 사용을 중지하십시오.
- 배터리를 물에 담그거나 액체가 안으로 흘러 들어가게 두지 마십시오. 물과 같은 전도성 액체가 유입되면 손상을 일으켜 화재나 폭발이 발생할 수 있습니다. 배터리를 연소성 또는 가연성 물체에서 멀리 떨어진 시원하고 건조한 곳에 보관하십시오. 부식성 기체가 있는 곳을 피해야 합니다.

주의

- 배터리 누액이 눈에 들어갈 경우 눈을 비비지 말고 수돗물과 같은 깨끗한 물로 잘 닦은 후 즉시 의사의 진찰을 받으십시오. 치료하지 않을 경우 액체가 시력 문제를 유발할 수 있습니다.
- 액체가 피부나 옷에 묻을 경우, 즉시 수돗물과 같은 깨끗한 물로 잘 닦으십시오. 피부에 염증이 발생할 가능성이 있습니다.
- 배터리를 처음 사용할 때 녹, 악취, 과열, 변색, 변형 및/또는 기타의 문제가 발견될 경우, 사용하지 말고 공급자 또는 벤더에게 반품하십시오.

경고

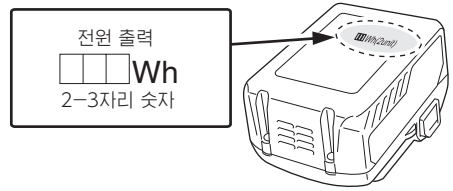
- 전도성 물체가 리튬이온 배터리에 들어갈 경우 배터리는 쇼트가 되어 불이 날 수도 있습니다. 리튬이온 배터리를 보관할 때에는 아래의 원칙을 따라주세요.
- 전도성 금속조각이나 못, 철선, 동선, 기타 와이어 등을 케이스에 같이 넣지 마십시오.
 - 쇼트를 방지하기 위해서는 배터리를 공구에 장착해 두시거나 통기구가 안 보이게 배터리 커버로 잘 덮어주세요 (그림1).

리튬이온 배터리 운반 시

리튬이온 배터리를 운반할 때 다음 주의사항을 준수하십시오.

경고

- 운송 회사에 포장에 리튬이온 배터리가 들어 있다는 것과 배터리의 전원 출력을 알려주고, 운반을 준비할 때 운송 회사의 지침을 따르십시오.
- 전원 출력이 100 Wh를 넘는 리튬이온 배터리는 위험 물품인 화물 등급으로 간주되며, 취급시 특별한 주의가 필요합니다.
 - 해외 운반 시에는 국제법과 목적지 국가의 규정 및 규정을 준수해야 합니다.



사양

전동공구

모델	CL18DSL
무부하 스트로크	30 /분
작업능력: 연강 전산 볼트 (볼트 사이즈별 컷터 능력)	W3/8" × 1.5875
충전식 배터리	BSL36A18: 다중 볼트 (10 셀)
중량*	3.3 kg

* 기본 부속품인 배터리, 컷터, 전산 볼트 가이드를 포함합니다.

충전기

모델	UC18YFSL
충전 전압	14.4 V-18 V
중량	0.5 kg

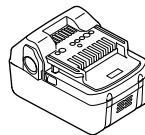
기본 부속품

CL18DSL (2LXAK)	① 충전기 (UC18YFSL).....	1
	② 배터리 (BSL36A18)	2
	③ 배터리커버	1
	④ 플라스틱 케이스.....	1
	⑤ 육각 렌치.....	1
	⑥ W3/8" 컷터	2
	⑦ W3/8" 트리머.....	1
CL18DSL (NN)	충전기, 배터리, 플라스틱 케이스, 배터리 커버 별도	

기본 부속품은 예고 없이 변경됩니다.

옵션 부속품 (별매품)

1. 배터리



(BSL1830)



(BSL36A18)

2. 절단날

볼트 사이즈	커터와 스페이서의 조합	
M10 × 1.5	M10 커터.....2 M10 스페이.....2	
M8 × 1.25	M8 커터.....2 M8 스페이.....2	
M6 × 1	M6 커터.....2 M6 스페이.....2	
W3/8" × 1.5875	W3/8" 커터.....2	

3. 트리머

볼트 사이즈	
M10 × 1.5	
M8 × 1.25	
M6 × 1	
W3/8" × 1.5875	

옵션 부속품은 예고 없이 변경됩니다.

용도

- 연강 전산 볼트의 절단

배터리 제거/설치

1. 배터리 제거

핸들을 세게 잡고 배터리 래치를 밀어 배터리를 제거하십시오 (그림 1과 2 참조).

주의

배터리를 절대로 단락시키지 마십시오.

2. 배터리 설치

배터리를 음극과 양극을 확인하여 삽입하십시오 (그림 2 참조).

충전

전동 톨을 사용하기 전에 배터리를 다음과 같이 충전하십시오.

- 충전기의 전원 코드를 콘센트에 연결합니다.**
충전기의 플러그를 콘센트에 연결하면 파일럿 램프가 빨간색으로 깜박입니다(1초 간격).
- 배터리를 충전기에 삽입하십시오.**
그림 3(2페이지에 있음)에 표시된 대로 배터리를 충전기에 단단히 삽입하십시오.
- 충전**
배터리를 충전기에 끼우면 충전이 시작되고 파일럿 램프가 빨간색으로 계속 켜져 있습니다. 배터리가 완전히 충전되면 파일럿 램프가 빨간색으로 깜박입니다(1초 간격으로). (표 1 참조)
- 파일럿 램프의 점등 상태
파일럿 램프의 점등 상태는 충전기 또는 충전식 배터리의 상태에 따라 표 1과 같이 나타납니다.

표 1

파일럿 램프의 점등 상태			
파일럿 램프 (빨간색)	충전 전	깜박임 0.5초 동안 켜지고, 0.5초 동안 켜지지 않습니다. (0.5초 동안 꺼짐) ■ ■ ■ ■ ■ ■ ■ ■ ■ ■ ■ ■ ■ ■ ■ ■	
	충전 중	켜짐 계속 켜짐 ■ ■ ■ ■ ■ ■ ■ ■ ■ ■ ■ ■ ■ ■ ■ ■	
	충전 완료	깜박임 0.5초 동안 켜지고, 0.5초 동안 켜지지 않습니다. (0.5초 동안 꺼짐) ■ ■ ■ ■ ■ ■ ■ ■ ■ ■ ■ ■ ■ ■ ■ ■	
	충전 불가능	깜박임 0.1초 동안 켜지고, 0.1초 동안 켜지지 않습니다. (0.1초 동안 꺼짐) ■ ■ ■ ■ ■ ■ ■ ■ ■ ■ ■ ■ ■ ■ ■ ■	
	과열 대기	깜박임 1초 동안 켜지고, 0.5초 동안 켜지지 않습니다. (0.5초 동안 꺼짐) ■ ■ ■ ■ ■ ■ ■ ■ ■ ■ ■ ■ ■ ■ ■ ■	배터리 과열, 충전 불가능. (배터리가 냉각되면 충전이 시작됨)

- 온도 및 배터리 충전 시간 관련.
온도 및 충전 시간은 **표 2**와 같습니다.

표 2

충전기		UC18YFSL				
배터리	배터리 유형	Li-ion				
	배터리를 충전할 수 있는 온도	0°C~50°C				
	충전 전압	V		18		
	대표적인 충전 시간 (20°C일 때)	BSL14xx 시리즈		BSL18xx 시리즈		다중 볼트 시리즈
		최소	(4셀)	(8셀)	(5셀)	(10셀)
	BSL1415S : 20 BSL1415 : 22 BSL1415X : 22 BSL1420 : 30 BSL1425 : 35 BSL1430C : 45	BSL1430 : 45 BSL1440 : 60 BSL1450 : 75 BSL1460 : 90	BSL1815S : 20 BSL1815 : 22 BSL1815X : 22 BSL1820 : 30 BSL1825 : 35 BSL1830C : 45 BSL1850C : 75	BSL1830 : 45 BSL1840 : 60 BSL1850 : 75 BSL1860 : 90	BSL36A18 : 75 BSL36B18 : 120	

참고

충전 시간은 주변 온도와 전원의 전압에 따라 다를 수 있습니다.

주의

배터리 충전기를 연속해서 사용하면 배터리 충전기가 과열되어 고장의 원인이 됩니다. 충전이 완료되면 다음 충전까지 15분 간 기다리십시오.

- 충전기의 파워코드를 소켓에서 빼주십시오.
- 충전기를 단단히 쥐고 배터리를 제거

새 배터리의 방전.

새 배터리, 혹은 오랫동안 사용하지 않은 배터리의 내부 화학 현상에 따라 처음 한 두번 성능이 떨어질 수 있습니다. 이것은 일시적인 현상이며 2-3회 재충전 하시면 회복됩니다.

배터리 수명을 길게 하려면.

- 배터리가 완전히 소모되기 전에 재충전 하십시오. 공구의 파워가 약해 졌다고 배터리를 충전하면 충전기의 파일럿 램프가 녹색으로 켜지거나 1초 동안 켜진 후 0.5초 동안 켜지지 않습니다.(0.5초 동안 꺼짐). 이런 경우에는 배터리를 식힌 후에 충전을 시작하십시오.
- 고온에서의 재충전은 피하십시오.
재충전 배터리는 사용 직후 과열됩니다. 이 상태에서 재충전으로 하면 내부 화학 물질이 망가지고 수명이 짧아집니다. 배터리를 식힌 후 재충전 하십시오.

주의

- 직사광선이 쬐는 장소에 장시간 방치되어 있거나 방금 사용에 가열된 상태에서 배터리를 충전하면 충전기의 파일럿 램프가 녹색으로 켜지거나 1초 동안 켜진 후 0.5초 동안 켜지지 않습니다.(0.5초 동안 꺼짐). 이런 경우에는 배터리를 식힌 후에 충전을 시작하십시오.
- 파일럿 램프가 빨간색으로 깜박이면(0.2초 간격으로) 충전기의 배터리 커넥터에 이물질이 있는지 확인하십시오. 이물질이 없는 경우, 배터리나 충전기의 오작동입니다. 공인 서비스 센터에 문의 하십시오.
- 내장 마이크로 컴퓨터는 충전기로 충전 중인 배터리가 제거되었는지 확인하는 데 약 3초가 걸리므로 충전을 계속하려면 최소 3초 동안 기다렸다가 다시 삽입하십시오. 배터리가 3초 이내 재 삽입 되면 배터리는 제대로 충전되지 않은 것입니다.

사용전 주의사항

1. 작업환경을 정리하고 점검하기

위의 주의사항에 작업환경이 적절하지 점검하십시오.

2. 배터리의 확인

배터리가 단단하게 장착되었는지 확인하십시오. 배터리가 헐거우면 사용 중 빠져서 사고로 이어질 수 있습니다.

3. 전진/후진 전환 버튼의 설정

- 그림 5 (a)** 처럼 전진/후진 전환 버튼을 오른쪽에서 누릅니다. 절단을 시작할 수 있습니다.
- 그림 5 (b)** 처럼 전진/후진 전환 버튼을 잠금 위치로 설정하면 트리거 스위치를 당기더라도 모터가 작동하지 않습니다. 공구를 운반하거나 보관할 때 또는 작동을 멈출 때는 전진/후진 전환 버튼을 잠금 위치로 설정하십시오 (**그림 5 (b))**).

- 그림 5 (c)** 처럼 전진/후진 전환 버튼을 왼쪽에서 누릅니다. 버튼을 누른 상태에서 트리거 스위치를 당기면 커터를 전산 볼트에서 분리할 수 있습니다. 재충전 배터리가 완전히 방전되어 절단 도중 공구가 작동할 경우에만 이 위치로 설정하십시오. 전원을 끈 후에 전산 볼트를 커터에서 분리하십시오.

주의

후진 위치에서 절단을 진행하지 마십시오 (**그림 5 (c)**). 후진 위치에서 절단을 진행하면 모터에 과부하가 걸려 절단이 불가능해질 수 있습니다. 공구가 손상될 수 있으므로 절대로 공구에 과도한 힘을 가하지 마십시오.

4. 커터 사이즈, 부착 방향, 부착 볼트, 스페이서의 점검

- 커터 사이즈는 부착 방향이 표시되어 있습니다. 공구를 정면에서 볼 때 커터의 노치가 없는 부분이 브라켓 (A) (이동 부분)에서 보이거나 커터의 노치 부분이 브라켓 (B) (고정 부분)에서 보이도록 커터가 부착되었는지 확인하십시오.
- 액세서리 육각 렌치를 이용해 커터를 부착하는 육각 구멍들이 볼트를 단단하게 조이십시오 (**그림 6**). 볼트가 느슨하면 본체 및 커터가 손상될 수 있으므로 적절한 액세서를 사용하십시오.

- (4) 전산 볼트의 사이즈에 따라 커터에 특수 스페이서의 부착이 필요할 수 있습니다.
- ① M10, M8 또는 M6 커터를 사용하는 경우
액세서리인 M6, M8 또는 M10 스페이서가 브라켓 (A)와 커터 사이 및 브라켓 (B)와 커터 사이에 올바르게 삽입되었는지 점검하십시오 (그림 6).
- 주의**
스페이서가 부착되지 않았거나 틀린 사이즈의 스페이서를 사용한 경우, 커터와 전산 볼트의 나사산이 정확하게 맞물리지 않아 전산 볼트와 커터 날이 손상될 수 있습니다. 스페이서가 올바르게 부착되었는지 확인하십시오.
- ② W3/8" 커터를 사용하는 경우
스페이서가 필요 없습니다. 커터만 부착되었는지 점검하십시오.

- 5. 전산 볼트 가이드의 올바른 삽입
전산 볼트 가이드는 전산 볼트의 절단 동안 기울어짐을 방지하는 데 사용됩니다. 절단할 전산 볼트의 사이즈에 맞게 보정 다이얼을 마크 (△) 로 정확하게 조정하십시오 (그림 7).
- 주의**
전산 볼트의 사이즈와 다이얼 위치가 일치하지 않으면 절단면에 거스러미가 생기거나 절단면 형상이 비틀려 본체가 손상될 수 있습니다.

사용법

주의

- 트리거 스위치를 조작할 때는 손가락을 커터에서 멀리 두십시오.
- 짧은 전산 볼트를 절단할 때는 짧은 전산 볼트와 가이드 영역 (그림 8 참조), 배터리 등 사이의 공간에 손가락이 끼지 않도록 주의하십시오.
- 절단 후 전산 볼트의 절단면은 매우 날카로우므로 위험합니다. 따라서 전산 볼트를 만질 때는 각별히 주의하십시오.

1. 정상 절단 방법

- (1) 그림 8처럼 트리거 스위치를 당기고, 브라켓 (A) 를 움직여 열림 위치에서 커터를 멈춥니다.
- (2) 그림 9처럼 커터의 브라켓 (B) 부분에 절단할 전산 볼트를 맞추고 나사산이 서로 정확히 맞물리는지 확인합니다.
- (3) 전산 볼트를 수평으로 유지하면서 트리거 스위치를 끝까지 당겨 전산 볼트를 절단합니다 (그림 8).
- (4) 절단 후에는 브라켓 (A) 를 위를 향하게 하고 전원을 끕니다. 커터가 열림 위치에 있으면 공구가 정지하므로 다음 작업으로 진행하기가 쉽습니다.

2. 절단 횟수 (배터리 완충 시)

배터리 완충 시 절단 횟수는 아래 표를 참조하십시오.

표 3

배터리	W3/8"
BSL1830	920
BSL36A18	1520

또한 절단 횟수는 주변 온도, 배터리 특성, 커터 상태에 따라 서로 달라질 수 있습니다.

3. 고정 길이 절단 (그림 10)

- 여러 전산 볼트를 동일한 길이로 절단할 때 다음과 같은 방법을 적용하면 작업 효율이 높아집니다.
- (1) 먼저 전산 볼트 하나를 필요한 길이로 절단한 다음, 자른 전산 볼트를 고정 길이 가이드로 사용합니다.

- (2) 고정 길이 가이드로 사용한 전산 볼트를 공구 전산 볼트 가이드에 보이는 전산 볼트 부착 구멍에 삽입하고, 육각 렌치를 이용해 육각 구멍 밑에 볼트를 조여 고정합니다. 이때에 고정 길이 가이드로 사용한 전산 볼트의 끝과 커터 사이의 거리가 필요한 길이가 되도록 조절합니다.
- (3) 커터에 절단할 전산 볼트를 삽입하고, 삽입한 전산 볼트와 절단 가이드로 사용한 전산 볼트의 끝을 맞춘 후 절단을 진행합니다.

4. 이미 고정된 전산 볼트의 절단 (그림 11)

- 전장에 매달려 있거나 벽 또는 바닥에 고정된 전산 볼트를 절단하는 경우
전산 볼트를 커터에 삽입할 때는 전산 볼트 나사산과 커터 나사산의 맞물림이 불안정합니다. 이 경우에는 전산 볼트를 커터에 삽입한 후 트리거 스위치를 살짝 당겨 커터를 저속으로 단연 전산 볼트와 상부 및 하부 커터가 완전히 맞물리게 됩니다. 그 다음에 트리거 스위치를 끝까지 당겨 전산 볼트를 절단합니다.

주의

예기치 못한 낙하를 방지하기 위해 한 손으로 전산 볼트의 절단 시 분리되는 부분을 잡으십시오.

5. 절단 작업 동안 커터에서 볼트 분리

절단 작업 동안 배터리가 완전히 방전되어 모터가 회전을 멈추면 전진/후진 전향 스위치를 후진 방향으로 누른 채 트리거 스위치를 당깁니다 (그림 5 (c)). 그러면 모터가 반대 방향으로 회전해 커터에서 전산 볼트를 분리할 수 있습니다 (그림 12).

주의

- 전장에 매달린 전산 볼트를 절단할 때는 전산 볼트 낙하를 방지하도록 양손으로 공구를 잡으십시오.
- 전원을 끈 후에 전산 볼트를 커터에서 분리하십시오. 전원이 켜진 상태로 전산 볼트의 분리를 시도하면 커터가 절단을 다시 시작합니다.

6. 후크 사용

후크는 작업 동안 전동공구를 허리 벨트에 걸 때 사용합니다. (그림 13)

주의

후크를 사용할 때는 전동공구가 우발적으로 떨어지지 않도록 전동공구에 단단하게 고정합니다. 전동공구가 떨어지면 사고로 이어질 수 있습니다. 전동공구를 허리 벨트에 걸고 움직일 때는 전동공구의 틱에 비트를 끼우지 마십시오. 허리 벨트에 걸고 움직일 때 드릴과 같이 날카로운 비트가 전동공구에 끼워져 있으면 다칠 수 있습니다.

참고:

후크를 단단하게 고정하십시오. 후크를 단단하게 고정하지 않으면 사용 동안 다칠 수 있습니다.

7. 트리머 사용

참고: 전산 볼트 사이즈와 일치하는 특수 트리머를 사용하십시오.

너트를 절단 위치에 끼우기 어려운 경우, 렌치를 사용해 너트를 단단히 조이거나, 액세서리 트리머를 사용해 볼트 나사산의 플랜지를 제거합니다.

전산 볼트를 그림의 삽입구에 삽입합니다. 플라이어로 전산 볼트를 잡고, 트리머를 오른쪽으로 5번 또는 6번 돌려 플랜지를 제거한 후, 왼쪽으로 돌려 트리머를 분리합니다 (그림 14).

주의

이 트리머는 전산 볼트 커터용으로 특별히 설계되었습니다. 쇠톱이나 디스크 그라인더로 절단한 전산 볼트의 플랜지는 이 트리머에 너무 커서 트리머가 돌지 않으므로 플랜지를 제거할 수 없습니다.

8. 배터리 잔량 표시기

배터리 잔량 표시 스위치를 누르면 배터리 잔량 표시등이 켜져 배터리 잔량을 확인할 수 있습니다. (그림 4, 15) 배터리 잔량 표시 스위치에서 손가락을 떼면 배터리 잔량 표시등이 꺼집니다. 표 4, 5은 배터리 잔량 표시등의 상태 및 배터리 잔량을 보여줍니다.

표 4

전동 공구

램프 상태	배터리 잔량
	배터리 잔량이 충분함
	배터리 잔량이 절반임
	배터리 잔량이 거의 없음충전이 필요함

배터리 잔량 표시기는 주변 온도 및 배터리 특성에 따라 다르게 보이므로, 배터리 잔량의 확인에 사용될 수 있습니다.

표 5

배터리

	커짐 ; 배터리 잔량이 75%를 넘습니다.
	커짐 ; 배터리 잔량이 50%~75%입니다.
	커짐 ; 배터리 잔량이 25%~50%입니다.
	커짐 ; 배터리 잔량이 25% 미만입니다.
	깜박임 ; 배터리 잔량이 거의 없습니다. 가능한 한 빨리 배터리를 다시 충전하십시오.
	깜박임 ; 고온으로 인해 출력이 중지되었습니다. 공구에서 배터리를 제거하고 완전히 식하십시오.
	깜박임 ; 고장이나 오작동으로 인해 출력이 중지되었습니다. 배터리 문제일 수도 있으므로 현지 대리점에 문의하십시오.

참고

- 다중 볼트 배터리 사용 시 배터리 잔량은 배터리의 표시등을 참조하여 주십시오.
- 스위치 패널에 강한 충격을 주거나 스위치 패널을 파손하지 마십시오. 문제가 발생할 수 있습니다.
- 배터리 전압 소모를 방지하기 위해 배터리 잔량 표시등은 배터리 잔량 표시 스위치를 누를 경우에만 켜집니다.

커터 수명 및 교체

1. 커터 수명

그림 17처럼 반복 절단은 커터 날의 파손 및 변형을 유발할 수 있습니다. 파손 및 변형 상태로 커터를 사용하면 전산 볼트의 절단 위치에 플랜지가 생겨 나사산이 뒤뜰릴 수 있습니다. 이렇게 되면 절단면이 깨끗하지 않아 너트를 끼울 수 없습니다.

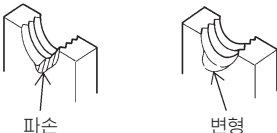


그림 17

그림 18처럼 커터 날은 4군데에 있습니다. 4번까지 사용할 수 있도록 커터 부착 방향을 바꾸려면 아래에 설명한 방법을 따르십시오. 커터 날의 파손 및 변형으로 인해 너트를 볼트에 끼울 수 없으면 커터 부착 방향을 바꿔 파손 및 변형이 없는 날을 사용하거나 새 커터로 교체합니다.



그림 18

2. 커터 부착 방향의 변경 또는 커터 교체

- (1) 분리 전:
 - ① 트리거 스위치를 당기고, 브라켓 (A) 를 움직여 열림 위치에서 커터를 멈춥니다.
 - ② 전진/후진 전환 버튼을 잠금 위치로 설정합니다 (그림 5 (b)).
 - ③ 공구에서 재충전 배터리를 분리합니다.
- (2) 분리 액세서리인 육각 렌치를 사용해 육각 구멍볼이 볼트를 뚫는다. 이제 커터와 스메이서를 분리할 수 있습니다.
- (3) 부착 전:
 - ① 커터 날은 4군데에 있습니다. 그림 19처럼 날 위치를 바꾸면 커터를 4번까지 사용할 수 있습니다.

(뒤로 돌림) (앞으로 돌림) (재삽입) (뒤로 돌림)

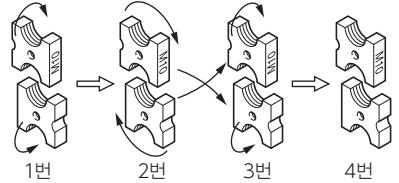


그림 19

- ② 커터에는 날 위치를 바꿀 수 있는 부착 방향이 표시되어 있습니다. 그림 6과 20처럼 공구를 정면에서 볼 때 커터의 노치가 없는 부분이 브라켓 (A) (이동 부분) 에서 보이거나 커터의 노치 부분이 브라켓 (B) (고정 부분) 에서 보이도록 커터가 부착되었는지 확인하십시오.



정상

그림 20

- ③ 커터 날이 파손 또는 변형되었거나 커터 부착 표면에 돌출부가 있으면 줄을 사용해 평평하게 갈아냅니다.

- ④ 브라켓의 커터 부착 구멍에 끼인 줄밥은 솔을 사용해 제거합니다.

주의

그림 21처럼 커터를 둘 다 노치가 없는 부분 또는 노치 부분이 보이게 결합하면 전산 볼트 나사산과 커터 나사산의 피치가 맞물리지 않습니다. 나사산의 피치가 맞물리지 않으면 커터 날이 손상되거나 마모로 인한 공구의 조기 손상을 유발할 수 있습니다.



금지

그림 21


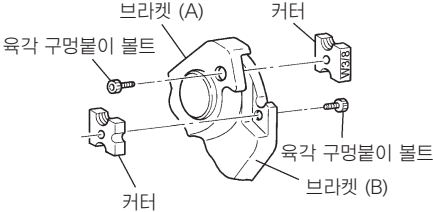
- (4) 부착

W3/8" 커터를 사용하는 경우

커터를 브라켓의 커터 부착 구멍에 삽입하고, 육각 구멍볼이 볼트를 사용해 조이고 고정하십시오.

주의

육각 구멍볼이 볼트는 육각 렌치를 사용해 충분히 조여야 합니다.

크기		부착
W3/8"		

주의

전산 볼트 사이즈와 일치하는 특수 커터 및 스페이서를 사용하십시오. 사이즈가 다른 커터와 스페이서를 사용하거나 커터와 스페이서를 혼동하면 전산 볼트와 커터가 손상될 수 있습니다.

관리 및 검사

주의

검사 및 청소 중에 반드시 충전 배터리를 장치에서 제거하십시오.

1. 사용 후 관리

사용 후에는 브러시를 사용하여 작업 영역, 특히 블레이드 주변 영역을 청소하십시오.

2. 부착 나사 검사

정기적으로 모든 부착 나사를 검사하고 잘 고정되어 있는지 확인합니다. 느슨한 나사가 있는 경우, 즉시 꼭 조여야 합니다. 그렇게 하지 않으면 심각한 사고가 날 수 있습니다.

3. 단자(공구 및 배터리) 검사

부스러기와 먼지가 단자에 쌓이지 않았는지 확인하십시오. 작동 전후와 작동 중에 가끔씩 확인하십시오.

주의

단자에 쌓여 있을 수도 있는 부스러기나 먼지를 제거하십시오. 그렇지 않으면 오작동이 발생할 수 있습니다.

4. 외부 청소

충전 직쏘가 더러운 경우 부드러운 마른 천이나 비눗물에 적신 천으로 닦아내십시오. 플라스틱을 녹일 수 있으므로 염소계 용제, 휘발유, 페인트 시너는 절대로 사용하지 마십시오

5. 보관

드라이버 드릴을 온도가 40°C 미만이고 어린이의 손길이 닿지 않는 곳에 보관하십시오.

참고

리튬-이온 배터리 보관

리튬-이온 배터리를 완전히 충전한 후에 보관하십시오. 저충전 상태로 장기간(3개월 이상) 배터리를 보관하면 배터리 성능이 저하되어 배터리 사용 시간이 현저하게 감소되거나 충전할 수 없게 되는 경우가 있습니다. 단, 배터리를 2~5회 충전과 사용을 반복하면 현저하게 감소된 배터리 사용 시간이 회복될 수도 있습니다. 충전과 사용을 반복해도 배터리 사용 시간이 매우 짧으면 배터리의 수명이 다한 것이므로 새 배터리로 교체하십시오.

주의

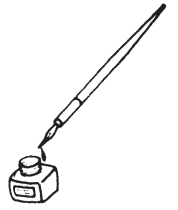
전동 툴을 사용하거나 점검할 때는 각국의 안전 수칙 및 규정을 준수해야 합니다.

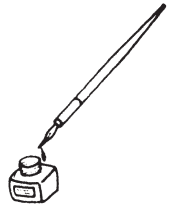
HiKOKI 무선 전동 툴의 배터리에 대한 중요 알림

항상 당사의 지정된 순정 배터리 가운데 하나를 사용하십시오. 당사는 당사가 지정하지 않은 배터리와 함께 사용할 경우 또는 배터리를 분리하여 개조할 경우(분해 및 셀 또는 내부 부품의 교환) 당사의 무선 전동 툴의 안전 및 성능을 보장할 수 없습니다.

참고:

HiKOKI는 지속적인 연구개발 프로그램을 진행하고 있으므로, 본 설명서의 사양은 사전 예고 없이 변경될 수 있습니다.





Koki Holdings Co., Ltd.

208

Code No. C99203551 N

Printed in Japan