

# **HIKOKI**

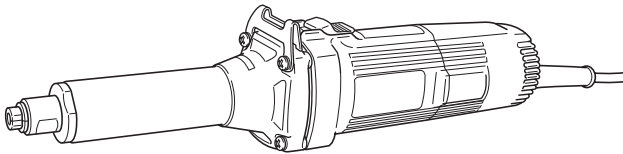
---

**Portable Grinder  
Transportabler Schleifer  
Meuleuse droite  
Smerigliatrice portatile  
Rechte slijpmachine  
Amoladora recta  
Rectificadora direita**

---

## **GP 2S2**

---

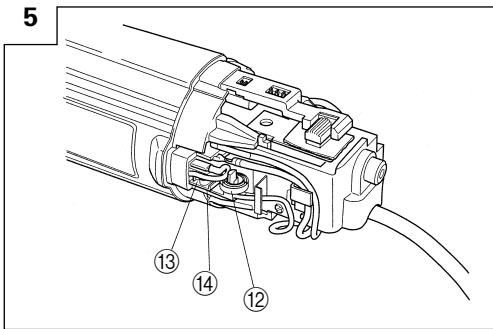
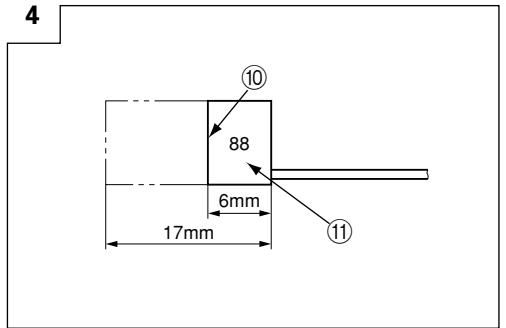
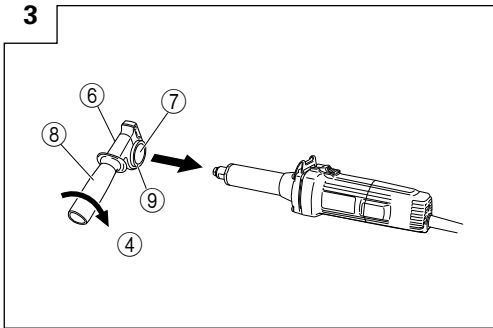
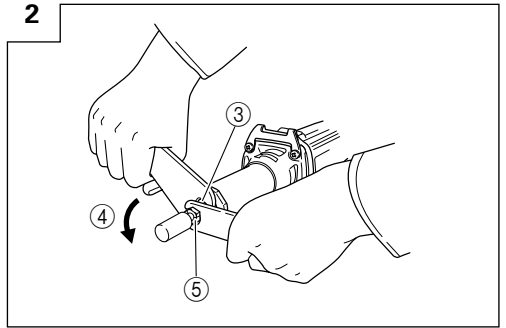
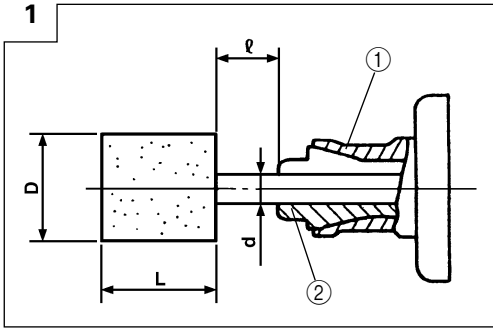


Read through carefully and understand these instructions before use.  
Diese Anleitung vor Benutzung des Werkzeugs sorgfältig durchlesen und verstehen.  
Lire soigneusement et bien assimiler ces instructions avant usage.  
Prima dell'uso leggere attentamente e comprendere queste istruzioni.  
Deze gebruiksaanwijzing s.v.p. voor gebruik zorgvuldig doorlezen.  
Leer cuidadosamente y comprender estas instrucciones antes del uso.  
Antes de usar, leia com cuidado para assimilar estas instruções.

---








Handling instructions  
Bedienungsanleitung  
Mode d'emploi  
Istruzioni per l'uso  
Gebruiksaanwijzing  
Instrucciones de manejo  
Instruções de uso



	English	Deutsch	Français	Italiano
①	Tapered portion	Verjüngter Teil	Partie conique	Parte conica
②	Collet chuck	Spannfutter	Mandrin à collet	Bussola di chiusura
③	Spindle	Welle	Broche	Albero
④	Tighten	Anziehen	Fixation	Serrare
⑤	Collet chuck	Spannfutter	Mandrin à collet	Bussola di chiusura
⑥	Side handle	Seitengriff	Poignée latérale	Maniglia laterale
⑦	Side handle sleeve	Seitengriffmuffe	Manchon de la poignée latérale	Manicotto della maniglia laterale
⑧	Side handle grip	Spannfutter für Seitengriff	Fixation de la poignée latérale	Impugnatura della maniglia laterale
⑨	Flange part	Flanschteil	Bride	Parte della flangia
⑩	Wear limit	Verschleißgrenze	Limite d'usure	Limite di usura
⑪	No. of carbon brush	Nr. der Kohlebürste	No. de balai en carbone	N. delle spazzole di carbone
⑫	Spring	Feder	Ressort	Molla
⑬	Carbon brush	Kohlebürste	Balai en carbone	Spazzola di carbone
⑭	Brush holder	Bürstenhalter	Support de balai	Portaspazzola

	Nederlands	Español	Português
①	Taps gedeelte	Parte cónica	Parte cônica
②	Klembus	Boquilla de mordazas	Mandril de colar
③	Spil	Husillo	Eixo
④	Vastzetten	Apretar	Apertar
⑤	Klembus	Boquilla de mordazas	Mandril de colar
⑥	Zijhandgreep	Asidero lateral	Pega lateral
⑦	Zijhandgreepmof	Funda del asidero lateral	Manga da pega lateral
⑧	Zijhandvat	Empuñadura del asidero lateral	Punho da pega lateral
⑨	Flensgedeelte	Parte de la brida	Flange
⑩	Slijtagegrens	Límite de desgaste	Limite de desgaste
⑪	Nr. van koolborstel	No. de escobilla de carbón	Nº de escova de carvão
⑫	Veer	Resorte	Mola
⑬	Koolborstel	Carbón de contacto	Escova de carvão
⑭	Borstelhouder	Portaescobilla	Suporte de escova

	<p><b>Symbols</b>  <b>⚠ WARNING</b>  The following show symbols used for the machine. Be sure that you understand their meaning before use.</p>	<p><b>Symbole</b>  <b>⚠ WARNUNG</b>  Die folgenden Symbole werden für diese Maschine verwendet. Achten Sie darauf, diese vor der Verwendung zu verstehen.</p>	<p><b>Symboles</b>  <b>⚠ AVERTISSEMENT</b>  Les symboles suivants sont utilisés pour l'outil. Bien se familiariser avec leur signification avant d'utiliser l'outil.</p>	<p><b>Simboli</b>  <b>⚠ AVVERTENZA</b>  Di seguito mostriamo i simboli usati per la macchina. Assicurarsi di comprenderne il significato prima dell'uso.</p>
	<p><b>Read all safety warnings and all instructions.</b>  Failure to follow the warnings and instructions may result in electric shock, fire and/or serious injury.</p>	<p><b>Lesen Sie sämtliche Sicherheitshinweise und Anweisungen durch.</b>  Wenn die Warnungen und Anweisungen nicht befolgt werden, kann es zu Stromschlag, Brand und/oder ernsthaften Verletzungen kommen.</p>	<p><b>Lire tous les avertissements de sécurité et toutes les instructions.</b>  Tout manquement à observer ces avertissements et instructions peut engendrer des chocs électriques, des incendies et/ou des blessures graves.</p>	<p><b>Leggere tutti gli avvertimenti di sicurezza e tutte le istruzioni.</b>  La mancata osservanza degli avvertimenti e delle istruzioni potrebbe essere causa di scosse elettriche, incendi e/o gravi lesioni.</p>
	<p>Always wear eye protection.</p>	<p>Tragen Sie immer einen Augenschutz.</p>	<p>Toujours porter des verres de protection.</p>	<p>Indossate sempre le protezioni oculari.</p>
	<p>Only for EU countries  Do not dispose of electric tools together with household waste material!  In observance of European Directive 2002/96/EC on waste electrical and electronic equipment and its implementation in accordance with national law, electric tools that have reached the end of their life must be collected separately and returned to an environmentally compatible recycling facility.</p>	<p>Nur für EU-Länder  Werfen Sie Elektrowerkzeuge nicht in den Hausmüll!  Gemäss Europäischer Richtlinie 2002/96/EG über Elektro- und Elektronik-Altgeräte und Umsetzung in nationales Recht müssen verbrauchte Elektrowerkzeuge getrennt gesammelt und einer umweltgerechten Wiederverwertung zugeführt werden.</p>	<p>Pour les pays européens uniquement  Ne pas jeter les appareils électriques dans les ordures ménagères!  Conformément à la directive européenne 2002/96/EG relative aux déchets d'équipements électriques ou électroniques (DEEE), et à sa transposition dans la législation nationale, les appareils électriques doivent être collectés à part et être soumis à un recyclage respectueux de l'environnement.</p>	<p>Solo per Paesi UE  Non gettare le apparecchiature elettriche tra i rifiuti domestici.  Secondo la Direttiva Europea 2002/96/CE sui rifiuti di apparecchiature elettriche ed elettroniche e la sua attuazione in conformità alle norme nazionali, le apparecchiature elettriche esauste devono essere raccolte separatamente, al fine di essere reimpiagate in modo eco-compatibile.</p>
	<p><b>Symboelen</b>  <b>⚠ WAARSCHUWING</b>  Hieronder staan symbolen afgebeeld die van toepassing zijn op deze machine. U moet de betekenis hiervan begrijpen voor gebruik.</p>	<p><b> Símbolos</b>  <b>⚠ ADVERTENCIA</b>  A continuación se muestran los símbolos usados para la máquina. Asegúrese de comprender su significado antes del uso.</p>	<p><b> Símbolos</b>  <b>⚠ AVISO</b>  A seguir aparecem os símbolos utilizados para a máquina. Assimile bem seus significados antes do uso.</p>	
	<p><b>Lees alle waarschuwingen en instructies aandachtig door.</b>  Nalating om de waarschuwingen en instructies op te volgen kan in een elektrische schok, brand en/of ernstig letsel resulteren.</p>	<p><b>Lea todas las instrucciones y advertencias de seguridad.</b>  Si no se siguen las advertencias e instrucciones, podría producirse una descarga eléctrica, un incendio y/o daños graves.</p>	<p><b>Leia todas as instruções e avisos de segurança.</b>  Se não seguir todas as instruções e os avisos, pode provocar um choque eléctrico, incêndio e/ou ferimentos graves.</p>	
	<p>Draag altijd oogbescherming.</p>	<p>Utilice siempre una protección ocular.</p>	<p>Utilize sempre protecção para os olhos.</p>	
	<p>Alleen voor EU-landen  Geef elektrisch gereedschap niet met het huisvuil mee!  Volgens de Europese richtlijn 2002/96/EG inzake oude elektrische en elektronische apparaten en de toepassing daarvan binnen de nationale wetgeving, dient gebruikt elektrisch gereedschap gescheiden te worden ingezameld en te worden afgevoerd naar een recycle bedrijf dat voldoet aan de geldende milieu-eisen.</p>	<p>Sólo para países de la Unión Europea  ¡No deseche los aparatos eléctricos junto con los residuos domésticos!  De conformidad con la Directiva Europea 2002/96/CE sobre residuos de aparatos eléctricos y electrónicos y su aplicación de acuerdo con la legislación nacional, las herramientas eléctricas cuya vida útil haya llegado a su fin se deberán recoger por separado y trasladar a una planta de reciclaje que cumpla con las exigencias ecológicas.</p>	<p>Apenas para países da UE  Não deite ferramentas eléctricas no lixo doméstico!  De acordo com a directiva europeia 2002/96/CE sobre ferramentas eléctricas e electrónicas usadas e a transposição para as leis nacionais, as ferramentas eléctricas usadas devem ser recolhidas em separado e encaminhadas a uma instalação de reciclagem dos materiais ecológica.</p>	

## GENERAL POWER TOOL SAFETY WARNINGS

### WARNING

Read all safety warnings and all instructions.

Failure to follow the warnings and instructions may result in electric shock, fire and/or serious injury.

Save all warnings and instructions for future reference.

The term "power tool" in the warnings refers to your mains-operated (corded) power tool or battery-operated (cordless) power tool.

#### 1) Work area safety

- a) **Keep work area clean and well lit.**  
*Cluttered or dark areas invite accidents.*
- b) **Do not operate power tools in explosive atmospheres, such as in the presence of flammable liquids, gases or dust.**  
*Power tools create sparks which may ignite the dust or fumes.*
- c) **Keep children and bystanders away while operating a power tool.**  
*Distractions can cause you to lose control.*

#### 2) Electrical safety

- a) **Power tool plugs must match the outlet. Never modify the plug in any way. Do not use any adapter plugs with earthed (grounded) power tools.**  
*Unmodified plugs and matching outlets will reduce risk of electric shock.*
- b) **Avoid body contact with earthed or grounded surfaces, such as pipes, radiators, ranges and refrigerators.**  
*There is an increased risk of electric shock if your body is earthed or grounded.*
- c) **Do not expose power tools to rain or wet conditions.**  
*Water entering a power tool will increase the risk of electric shock.*
- d) **Do not abuse the cord. Never use the cord for carrying, pulling or unplugging the power tool. Keep cord away from heat, oil, sharp edges or moving parts.**  
*Damaged or entangled cords increase the risk of electric shock.*
- e) **When operating a power tool outdoors, use an extension cord suitable for outdoor use.**  
*Use of a cord suitable for outdoor use reduces the risk of electric shock.*
- f) **If operating a power tool in a damp location is unavoidable, use a residual current device (RCD) protected supply.**  
*Use of an RCD reduces the risk of electric shock.*

#### 3) Personal safety

- a) **Stay alert, watch what you are doing and use common sense when operating a power tool. Do not use a power tool while you are tired or under the influence of drugs, alcohol or medication.**  
*A moment of inattention while operating power tools may result in serious personal injury.*
- b) **Use personal protective equipment. Always wear eye protection.**  
*Protective equipment such as dust mask, non-skid safety shoes, hard hat, or hearing protection used for appropriate conditions will reduce personal injuries.*
- c) **Prevent unintentional starting. Ensure the switch is in the off-position before connecting to power source and/or battery pack, picking up or carrying the tool.**

*Carrying power tools with your finger on the switch or energising power tools that have the switch on invites accidents.*

- d) **Remove any adjusting key or wrench before turning the power tool on.**  
*A wrench or a key left attached to a rotating part of the power tool may result in personal injury.*
  - e) **Do not overreach. Keep proper footing and balance at all times.**  
*This enables better control of the power tool in unexpected situations.*
  - f) **Dress properly. Do not wear loose clothing or jewellery. Keep your hair, clothing and gloves away from moving parts.**  
*Loose clothes, jewellery or long hair can be caught in moving parts.*
  - g) **If devices are provided for the connection of dust extraction and collection facilities, ensure these are connected and properly used.**  
*Use of dust collection can reduce dust related hazards.*
- #### 4) Power tool use and care
- a) **Do not force the power tool. Use the correct power tool for your application.**  
*The correct power tool will do the job better and safer at the rate for which it was designed.*
  - b) **Do not use the power tool if the switch does not turn it on and off.**  
*Any power tool that cannot be controlled with the switch is dangerous and must be repaired.*
  - c) **Disconnect the plug from the power source and/or the battery pack from the power tool before making any adjustments, changing accessories, or storing power tools.**  
*Such preventive safety measures reduce the risk of starting the power tool accidentally.*
  - d) **Store idle power tools out of the reach of children and do not allow persons unfamiliar with the power tool or these instructions to operate the power tool. Power tools are dangerous in the hands of untrained users.**
  - e) **Maintain power tools. Check for misalignment or binding of moving parts, breakage of parts and any other condition that may affect the power tools' operation. If damaged, have the power tool repaired before use. Many accidents are caused by poorly maintained power tools.**
  - f) **Keep cutting tools sharp and clean.**  
*Properly maintained cutting tools with sharp cutting edges are less likely to bind and are easier to control.*
  - g) **Use the power tool, accessories and tool bits etc. in accordance with these instructions, taking into account the working conditions and the work to be performed.**  
*Use of the power tool for operations different from those intended could result in a hazardous situation.*
- #### 5) Service
- a) **Have your power tool serviced by a qualified repair person using only identical replacement parts.**  
*This will ensure that the safety of the power tool is maintained.*

### PRECAUTION

Keep children and infirm persons away.  
When not in use, tools should be stored out of reach of children and infirm persons.

## SAFETY WARNINGS COMMON FOR GRINDING OPERATIONS

- a) **This power tool is intended to function as a grinder. Read all safety warnings, instructions, illustrations and specifications provided with this power tool. Failure to follow all instructions listed below may result in electric shock, fire and/or serious injury.**
- b) **Operations such as sanding, wire brushing, polishing or cutting-off are not recommended to be performed with this power tool. Operations for which the power tool was not designed may create a hazard and cause personal injury.**
- c) **Do not use accessories which are not specifically designed and recommended by the tool manufacturer. Just because the accessory can be attached to your power tool, it does not assure safe operation.**
- d) **The rated speed of the accessory must be at least equal to the maximum speed marked on the power tool. Accessories running faster than their rated speed can break and fly apart.**
- e) **The outside diameter and the thickness of your accessory must be within the capacity rating of your power tool. Incorrectly sized accessories cannot be adequately guarded or controlled.**
- f) **The arbour size of wheels, flanges, backing pads or any other accessory must properly fit the spindle of the power tool. Accessories with arbour holes that do not match the mounting hardware of the power tool will run out of balance, vibrate excessively and may cause loss of control.**
- g) **Do not use a damaged accessory. Before each use inspect the accessory such as abrasive wheels for chips and cracks, backing pad for cracks, tear or excess wear, wire brush for loose or cracked wires. If power tool or accessory is dropped, inspect for damage or install an undamaged accessory. After inspecting and installing an accessory, position yourself and bystanders away from the plane of the rotating accessory and run the power tool at maximum no-load speed for one minute. Damaged accessories will normally break apart during this test time.**
- h) **Wear personal protective equipment. Depending on application, use face shield, safety goggles or safety glasses. As appropriate, wear dust mask, hearing protectors, gloves and workshop apron capable of stopping small abrasive or workpiece fragments. The eye protection must be capable of stopping flying debris generated by various operations. The dust mask or respirator must be capable of filtrating particles generated by your operation. Prolonged exposure to high intensity noise may cause hearing loss.**
- i) **Keep bystanders a safe distance away from work area. Anyone entering the work area must wear personal protective equipment. Fragments of workpiece or of a broken accessory may fly away and cause injury beyond immediate area of operation.**

- j) **Hold power tool by insulated gripping surfaces only, when performing an operation where the cutting accessory may contact hidden wiring or its own cord. Cutting accessory contacting a "live" wire may make exposed metal parts of the power tool "live" and shock the operator.**
- k) **Position the cord clear of the spinning accessory. If you lose control, the cord may be cut or snagged and your hand or arm may be pulled into the spinning accessory.**
- l) **Never lay the power tool down until the accessory has come to a complete stop. The spinning accessory may grab the surface and pull the power tool out of your control.**
- m) **Do not run the power tool while carrying it at your side. Accidental contact with the spinning accessory could snag your clothing, pulling the accessory into your body.**
- n) **Regularly clean the power tool's air vents. The motor's fan will draw the dust inside the housing and excessive accumulation of powdered metal may cause electrical hazards.**
- o) **Do not operate the power tool near flammable materials. Sparks could ignite these materials.**
- p) **Do not use accessories that require liquid coolants. Using water or other liquid coolants may result in electrocution or shock.**

## KICKBACK AND RELATED WARNINGS

Kickback is a sudden reaction to a pinched or snagged rotating wheel, backing pad, brush or any other accessory. Pinching or snagging causes rapid stalling of the rotating accessory which in turn causes the uncontrolled power tool to be forced in the direction opposite of the accessory's rotation at the point of the binding. For example, if an abrasive wheel is snagged or pinched by the workpiece, the edge of the wheel that is entering into the pinch point can dig into the surface of the material causing the wheel to climb out or kick out. The wheel may either jump toward or away from the operator, depending on direction of the wheel's movement at the point of pinching. Abrasive wheels may also break under these conditions. Kickback is the result of power tool misuse and/or incorrect operating procedures or conditions and can be avoided by taking proper precautions as given below.

- a) **Maintain a firm grip on the power tool and position your body and arm to allow you to resist kickback forces. Always use auxiliary handle, if provided, for maximum control over kickback or torque reaction during start-up. The operator can control torque reactions or kickback forces, if proper precautions are taken.**
- b) **Never place your hand near the rotating accessory. Accessory may kickback over your hand.**
- c) **Do not position your body in the area where power tool will move if kickback occurs. Kickback will propel the tool in direction opposite to the wheel's movement at the point of snagging.**

- d) **Use special care when working corners, sharp edges etc. Avoid bouncing and snagging the accessory.** *Corners, sharp edges or bouncing have a tendency to snag the rotating accessory and cause loss of control or kickback.*
- e) **Do not attach a saw chain woodcarving blade or toothed saw blade.** *Such blades create frequent kickback and loss of control.*

## SAFETY WARNINGS SPECIFIC FOR GRINDING OPERATIONS

- a) **Use only wheel types that are recommended for your power tool and the specific guard designed for the selected wheel.**

*Wheels for which the power tool was not designed cannot be adequately guarded and are unsafe.*

- b) **Wheels must be used only for recommended applications. For example: do not grind with the side of cut-off wheel.**

*Abrasive cut-off wheels are intended for peripheral grinding, side forces applied to these wheels may cause them to shatter.*

- c) **Always use undamaged wheel flanges that are of correct size and shape for your selected wheel.** *Proper wheel flanges support the wheel thus reducing the possibility of wheel breakage. Flanges for cut-off wheels may be different from grinding wheel flanges.*

- d) **Do not use worn down wheels from larger power tools.**

*Wheel intended for larger power tool is not suitable for the higher speed of a smaller tool and may burst.*

## GENERAL SAFETY INSTRUCTIONS FOR GRINDERS

- Check that speed marked on the wheel is equal to or greater than the rated speed of the grinder;
- Ensure that the wheel dimensions are compatible with the grinder;
- Abrasive wheels shall be stored and handled with care in accordance with manufacturer's instructions;
- Inspect the grinding wheel before use, do not use chipped, cracked or otherwise defective products;
- Ensure that mounted wheels and points are fitted in accordance with the manufacturer's instructions;
- Ensure that blotters are used when they are provided with the bonded abrasive product and when they are required;
- Ensure that the abrasive product is correctly mounted and tightened before use and run the tool at no-load for 30 s in a safe position, stop immediately if there is considerable vibration or if other defects are detected. If this condition occurs, check the machine to determine the cause;
- If a guard is equipped with the tool never use the tool without such a guard;
- Do not use separate reducing bushings or adapters to adapt large hole abrasive wheels;
- For tools intended to be fitted with threaded hole wheel, ensure that the thread in the wheel is long enough to accept the spindle length;
- Check that the work piece is properly supported;
- Do not use cutting off wheel for side grinding;
- Ensure that sparks resulting from use do not create a hazard e.g. do not hit persons, or ignite flammable substances;
- Ensure that ventilation openings are kept clear when working in dusty conditions, if it should become necessary to clear dust, first disconnect the tool from the mains supply (use non metallic objects) and avoid damaging internal parts;
- Always use eye and ear protection. Other personal protective equipment such as dust mask, gloves, helmet and apron should be worn;
- Pay attention to the wheel that continues to rotate after the tool is switched off.

## SPECIFICATIONS

Voltage (by areas)*	(110V, 120V, 127V, 220V, 230V, 240V) $\sphericalangle$
Input*	520 W
No-Load Speed*	29000 min <sup>-1</sup>
Max. Wheel Diam.*	25 mm
Collet chuck Capacity**	6 mm
Weight (without cord)	1.7 kg

\* Be sure to check the nameplate on product as it is subject to change by areas.

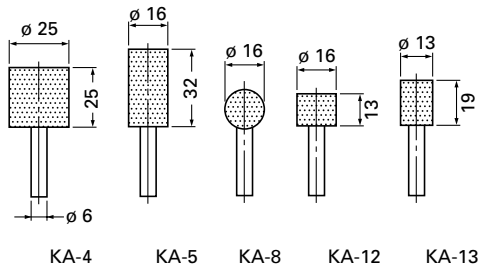
\*\* This varies depending on the area.

**STANDARD ACCESSORIES**

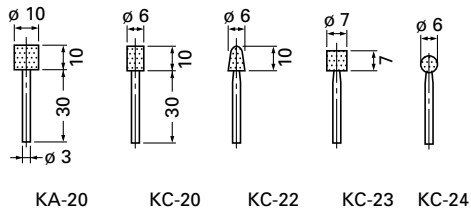
- (1) Wrench (17 mm) ..... 1
  - (2) Wrench (12 mm) ..... 1
  - (3) Side handle (Not included by areas) ..... 1
- Standard accessories are subject to change without notice.

**OPTIONAL ACCESSORIES (sold separately)**

- Collet chuck  
for 3 mm shaft  
for 3.175 mm (1/8") shaft  
for 6.35 mm (1/4") shaft  
for 8 mm shaft  
Dimensions and handling methods other than the shaft hole are the same as those for the 6 mm collet chuck.
- Wheels with 6 mm shaft  
All wheels are provided with WA grain, 60 grinding, and P bonding and are suitable for grinding general and special steel materials.



- Wheels with 3 mm shaft  
All wheels are provided with WA grain, 80 grinding and P bonding and are suitable for grinding general and special steel materials.



- Dresser
  - Case
- Optional accessories are subject to change without notice.

**APPLICATIONS**

- Finishing of dies for press working, die casting and moulding.
- Finishing of thread cutting dies, tools and other small parts.
- Internal grinding of tools and machine parts.

**PRIOR TO OPERATION**

- 1. Power source**  
Ensure that the power source to be utilized conforms to the power requirements specified on the product nameplate.
- 2. Power switch**  
Ensure that the power switch is in the OFF position. If the plug is connected to a receptacle while the power switch is in the ON position, the power tool will start operating immediately, which could cause a serious accident.
- 3. Extension cord**  
When the work area is removed from the power source, use an extension cord of sufficient thickness and rated capacity. The extension cord should be kept as short as practicable.
- 4. Installing a wheel**  
Install the wheel so that length  $\ell$  is less than 15 mm. If  $\ell$  is longer, abnormal vibration will occur, and the machine is not only negatively affected, but there is a possibility of a serious accident. Make the  $\ell$  as small as possible.  
When  $d = 6$  mm, 6.35 mm (1/4"), 8 mm, D of the wheel should be less than 25 mm. If a wheel with D more than 25 mm is used, the circumference speed exceeds the safety limit and the wheel will break. Never use such a wheel.  
Distance L varies for D. Determine L referring to the table below.  
When  $d = 3$  mm, 3.175 mm (1/8"), D should be less than 10 mm. Determine L referring to the table below.  
Wheels can be simply attached and detached by using the two wrenches. (Fig. 2).

**NOTE:**

- Do not tighten the collet chuck by inserting a shaft thinner than the regular shaft diameter (6 mm) in the chuck or in an empty condition. This practice will damage the collet chuck.
- When installing a wheel with shaft, tighten the collet chuck after applying a small quantity of spindle oil (or sewing machine oil) to the tapered portion indicated in Fig. 1.

(when  $\ell = 15$  mm)

d	3 mm, 3.175 mm (1/8")				6 mm, 6.35 mm (1/4")				8 mm
D	5 mm	6 mm	8 mm	10 mm	13 mm	16 mm	20 mm	25 mm	25 mm
L	10 mm	13 mm	16 mm	13 mm	40 mm	40 mm	25 mm	25 mm	32 mm



### 5. Using the side handle (Fig. 3)

Be sure to use the side handle to avoid the risk of severe electrical shock.

Attach the side handle to the machine as follows.

- (1) Loosen the side handle grip and insert the side handle to the nose bracket part of the machine from the flange part of the side handle sleeve.
- (2) Set the side handle to a position that is suited to the operation and then securely tighten the side handle grip.

## HOW TO USE

### 1. Switching operation

- (1) When moving the switch lever to the right (ON side), power is applied; when moving it to the left (OFF side), power is switched off.
- (2) When first turning on the switch after installing a new wheel, hold the grinder away from your body to avoid any danger of a wheel shattering due to an imperfection.
- (3) Before starting, test the machine with the wheel pointed in a safe direction.

### 2. Precautions on operation

- (1) Lightly press the wheel to the material to be ground. When grinding materials, high-speed revolution is necessary. Use a hand grinder with high-speed revolution, minimizing the pressing force.
- (2) Dressing the wheel  
After attaching a wheel, correct deflection of the wheel center by using a dresser. If the wheel center is eccentric, not only precise finishing cannot be achieved but also grinder vibration increases, lowering grinder accuracy and durability. A clogged or worn wheel will spoil the finishing surface or lower grinding efficiency. Occasionally dress the wheel by applying the dresser.

## WHEEL SELECTING METHOD

Types of wheels are varied according to the materials to be ground. Select a wheel appropriate for the material to be ground.

The following table is an outline of wheels and materials to be ground.

Materials to be ground	Grain	Grading	Bonding degree	Structure	Bonding agent
Mild steel, hard steel, forged steel	WA	60~80	P	m	V
Cast iron	C	36	M-O	m	V
Brass, bronze, aluminium	C	36	J-K	m	V
Ceramic	WA	60~80	M	m	V
Synthetic resin	C	36	K-M	m	V

Small-scaled wheels with shaft are prepared for grinding small surfaces. Their dimensions and shapes are shown in "OPTIONAL ACCESSORIES".

Since wheel shaft diameter is 3 mm, use the collet chuck for 3 mm shaft sold separately by your HiKOKI dealer as an optional accessory.

## MAINTENANCE AND INSPECTION

### 1. Inspecting the wheel

Ensure that the wheel is free of cracks and surface defects.

### 2. Inspecting the mounting screws

Regularly inspect all mounting screws and ensure that they are properly tightened. Should any of the screws be loose, retighten them immediately. Failure to do so could result in serious hazard.

### 3. Maintenance of the motor

The motor unit winding is the very "heart" of the power tool.

Exercise due care to ensure the winding does not become damaged and/or wet with oil or water.

### 4. Inspecting the carbon brushes (Fig. 4)

The motor employs carbon brushes which are consumable parts. Since an excessively worn carbon brush can result in motor trouble, replace the carbon brushes with new ones having the same carbon brush No. shown in the figure when it becomes worn to or near the "wear limit". In addition, always keep carbon brushes clean and ensure that they slide freely within the brush holders.

### 5. Replacing carbon brushes (Fig. 5)

<Disassembly>

- (1) Loosen the D4 tapping screw retaining the tail cover and remove the tail cover.
- (2) Use the auxiliary hexagonal wrench or small screwdriver to pull up the edge of the spring that is holding down the carbon brush. Remove the edge of the spring toward the outside of the brush holder.
- (3) Remove the end of the pig-tail on the carbon brush from the terminal section of brush holder and then remove the carbon brush from the brush holder.

<Assembly>

- (1) Insert the end of the pig-tail of the carbon brush in the terminal section of brush holder.
- (2) Insert the carbon brush in the brush holder.
- (3) Use the auxiliary hexagonal wrench or small screwdriver to return the edge of the spring to the head of the carbon brush.

**NOTE:**

Make sure the end of the spring is not holding the pig-tail.

- (4) Mount the tail cover and tighten the D4 tapping screw.

**6. Service parts list****CAUTION**

Repair, modification and inspection of HiKOKI Power Tools must be carried out by a HiKOKI Authorized Service Center.

This Parts List will be helpful if presented with the tool to the HiKOKI Authorized Service Center when requesting repair or other maintenance.

In the operation and maintenance of power tools, the safety regulations and standards prescribed in each country must be observed.

**MODIFICATIONS**

HiKOKI Power Tools are constantly being improved and modified to incorporate the latest technological advancements.

Accordingly, some parts may be changed without prior notice.

---

**GUARANTEE**

We guarantee HiKOKI Power Tools in accordance with statutory/country specific regulation. This guarantee does not cover defects or damage due to misuse, abuse, or normal wear and tear. In case of complaint, please send the Power Tool, undismantled, with the GUARANTEE CERTIFICATE found at the end of this Handling instruction, to a HiKOKI Authorized Service Center.

---

**NOTE:**

Due to HiKOKI's continuing program of research and development, the specifications herein are subject to change without prior notice.

---

**IMPORTANT:**

Correct connection of the plug

The wires of the main lead are coloured in accordance with the following code:

Blue: – Neutral

Brown: – Live

As the colours of the wires in the main lead of this tool may not correspond with the coloured markings identifying the terminals in your plug proceed as follows:

The wire coloured blue must be connected to the terminal marked with the letter N or coloured black.

The wire coloured brown must be connected to the terminal marked with the letter L or coloured red.

Neither core must be connected to the earth terminal.

**NOTE:**

This requirement is provided according to BRITISH STANDARD 2769: 1984.

Therefore, the letter code and colour code may not be applicable to other markets except The United Kingdom.

---

---

**Information concerning airborne noise and vibration**

The measured values were determined according to EN60745 and declared in accordance with ISO 4871.

Measured A-weighted sound power level: 94 dB (A).

Measured A-weighted sound pressure level: 83 dB (A).

Uncertainty KpA: 3 dB (A).

Wear hearing protection.

Vibration total values (triax vector sum) determined according to EN60745.

Surface grinding:

Vibration emission value **a<sub>h</sub>, SG** = 2.6 m/s<sup>2</sup>

Uncertainty K = 1.5 m/s<sup>2</sup>

---

**WARNING**

- The vibration emission value during actual use of the power tool can differ from the declared value depending on the ways in which the tool is used.
- To identify the safety measures to protect the operator that are based on an estimation of exposure in the actual conditions of use (taking account of all parts of the operating cycle such as the times when the tool is switched off and when it is running idle in addition to the trigger time).

## ALLGEMEINE SICHERHEITSHINWEISE FÜR ELEKTROGERÄTE

### ⚠️ WARNUNG

Lesen Sie sämtliche Sicherheitshinweise und Anweisungen durch

*Wenn die Warnungen und Anweisungen nicht befolgt werden, kann es zu Stromschlag, Brand und/oder ernsthaften Verletzungen kommen.*

**Bitte bewahren Sie alle Warnhinweise und Anweisungen zum späteren Nachschlagen auf.**

*Der Begriff „Elektrowerkzeug“ bezieht sich in den Warnhinweisen auf Elektrowerkzeuge mit Netz- (schnurgebunden) oder Akkubetrieb (schnurlos).*

#### 1) Sicherheit im Arbeitsbereich

- Sorgen Sie für einen sauberen und gut ausgeleuchteten Arbeitsbereich.**  
*Zugestellte oder dunkle Bereiche ziehen Unfälle förmlich an.*
- Verwenden Sie Elektrowerkzeuge niemals an Orten, an denen Explosionsgefahr besteht – zum Beispiel in der Nähe von leicht entflammaren Flüssigkeiten, Gasen oder Stäuben.**  
*Bei der Arbeit mit Elektrowerkzeugen kann es zu Funkenbildung kommen, wodurch sich Stäube oder Dämpfe entzünden können.*
- Sorgen Sie bei der Arbeit mit Elektrowerkzeugen dafür, dass sich keine Zuschauer (insbesondere Kinder) in der Nähe befinden.**  
*Wenn Sie abgelenkt werden, können Sie die Kontrolle über das Werkzeug verlieren.*

#### 2) Elektrische Sicherheit

- Elektrowerkzeuge müssen mit passender Stromversorgung betrieben werden.**  
**Nehmen Sie niemals irgendwelche Änderungen am Anschlussstecker vor.**  
**Verwenden Sie bei Elektrowerkzeugen mit Schutzkontakt (geerdet) niemals Adapterstecker.**  
*Stecker im Originalzustand und passende Steckdosen reduzieren das Stromschlagrisiko.*
- Vermeiden Sie Körperkontakt mit geerdeten Gegenständen wie Rohrleitungen, Heizungen, Herden oder Kühlschränken.**  
*Bei Körperkontakt mit geerdeten Gegenständen besteht ein erhöhtes Stromschlagrisiko.*
- Setzen Sie Elektrowerkzeuge niemals Regen oder sonstiger Feuchtigkeit aus.**  
*Wenn Flüssigkeiten in ein Elektrowerkzeug eindringen, erhöht sich das Stromschlagrisiko.*
- Verwenden Sie die Anschlusschnur nicht missbräuchlich.** Tragen Sie das Elektrowerkzeug niemals an der Anschlusschnur, ziehen Sie es nicht damit heran und ziehen Sie den Stecker nicht an der Anschlusschnur aus der Steckdose.  
**Halten Sie die Anschlusschnur von Hitzequellen, Öl, scharfen Kanten und beweglichen Teilen fern.**  
*Beschädigte oder verdrehte Anschlusschnüre erhöhen das Stromschlagrisiko.*
- Wenn Sie ein Elektrowerkzeug im Freien benutzen, verwenden Sie ein für den Außeneinsatz geeignetes Verlängerungskabel.**  
*Ein für den Außeneinsatz geeignetes Kabel vermindert das Stromschlagrisiko.*
- Falls sich der Betrieb des Elektrowerkzeuges in feuchter Umgebung nicht vermeiden lässt, verwenden Sie eine Stromversorgung mit Fehlerstromschutzeinrichtung (Residual Current Device, RCD).**

*Durch den Einsatz einer Fehlerstromschutzeinrichtung wird das Risiko eines elektrischen Schlages reduziert.*

#### 3) Persönliche Sicherheit

- Blieben Sie wachsam, achten Sie auf das, was Sie tun, und setzen Sie Ihren Verstand ein, wenn Sie mit Elektrowerkzeugen arbeiten.**  
**Benutzen Sie keine Elektrowerkzeuge, wenn Sie müde sind oder unter Einfluss von Drogen, Alkohol oder Medikamenten stehen.**  
*Bei der Arbeit mit Elektrowerkzeugen können bereits kurze Phasen der Unaufmerksamkeit zu schweren Verletzungen führen.*
  - Benutzen Sie eine persönliche Schutzausrüstung. Tragen Sie immer einen Augenschutz.**  
*Schutzausrüstung wie Staubmaske, rutschsichere Sicherheitsschuhe, Schutzhelm und Gehörschutz senken das Verletzungsrisiko bei angemessenem Einsatz.*
  - Vermeiden Sie unbeabsichtigten Anlauf. Achten Sie darauf, dass sich der Schalter in der Aus- (Off-) Position befindet, ehe Sie das Gerät mit der Stromversorgung und/oder Batteriestromversorgung verbinden, es aufheben oder herumtragen.**  
*Das Herumtragen von Elektrowerkzeugen mit dem Finger am Schalter oder das Herstellen der Stromversorgung bei betätigtem Schalter zieht Unfälle regelrecht an.*
  - Entfernen Sie sämtliche Einstellwerkzeuge (Einstellschlüssel), ehe Sie das Elektrowerkzeug einschalten.**  
*Ein an einem beweglichen Teil des Elektrowerkzeugs angebrachter Schlüssel kann zu Verletzungen führen.*
  - Sorgen Sie für einen festen Stand. Achten Sie jederzeit darauf, sicher zu stehen und das Gleichgewicht zu bewahren.**  
*Dadurch haben Sie das Elektrowerkzeug in unerwarteten Situationen besser im Griff.*
  - Kleiden Sie sich richtig. Tragen Sie keine lose Kleidung oder Schmuck. Halten Sie Haar, Kleidung und Handschuhe von beweglichen Teilen fern.**  
*Lose Kleidung, Schmuck oder langes Haar kann von beweglichen Teilen erfasst werden.*
  - Wenn Anschlüsse für Staubsaug- und -sammelvorrichtungen vorhanden sind, sorgen Sie dafür, dass diese richtig angeschlossen und eingesetzt werden.**  
*Durch Entfernen des Staubes können staubbezogene Gefahren vermindert werden.*
- #### 4) Einsatz und Pflege von Elektrowerkzeugen
- Überansprechen Sie Elektrowerkzeuge nicht. Benutzen Sie das richtige Elektrowerkzeug für Ihren Einsatzzweck.**  
*Das richtige Elektrowerkzeug erledigt seine Arbeit bei bestimmungsgemäßem Einsatz besser und sicherer.*
  - Benutzen Sie das Elektrowerkzeug nicht, wenn es sich nicht am Schalter ein- und ausschalten lässt.**  
*Jedes Elektrowerkzeug, das nicht mit dem Schalter betätigt werden kann, stellt eine Gefahr dar und muss repariert werden.*
  - Stecken Sie den Stecker der Stromversorgung oder Batteriestromversorgung vom Gerät ab, ehe Sie Einstellarbeiten vornehmen, Zubehörteile tauschen oder das Elektrowerkzeug verstauen.**  
*Solche präventiven Sicherheitsmaßnahmen verhindern den unbeabsichtigten Anlauf des Elektrowerkzeugs und die damit verbundenen Gefahren.*
  - Lagern Sie nicht benutzte Elektrowerkzeuge außerhalb der Reichweite von Kindern, lassen Sie nicht zu, dass Personen das Elektrowerkzeug bedienen, die nicht mit dem Werkzeug selbst und/oder diesen Anweisungen vertraut sind.**

*Elektrowerkzeuge in ungeschulten Händen sind gefährlich.*

- e) Halten Sie Elektrowerkzeuge in Stand. Prüfen Sie auf Fehlausrichtungen, sicheren Halt und Leichtgängigkeit beweglicher Teile, Beschädigungen von Teilen und auf jegliche andere Zustände, die sich auf den Betrieb des Elektrowerkzeugs auswirken können.

Bei Beschädigungen lassen Sie das Elektrowerkzeug reparieren, ehe Sie es benutzen.

*Viele Unfälle mit Elektrowerkzeugen sind auf schlechte Wartung zurückzuführen.*

- f) Halten Sie Schneidwerkzeuge scharf und sauber. Richtig gewartete Schneidwerkzeuge mit scharfen Schneidkanten bleiben weniger häufig hängen und sind einfacher zu beherrschen.

- g) Benutzen Sie Elektrowerkzeuge, Zubehör, Werkzeugspitzen und Ähnliches in Übereinstimmung mit diesen Anweisungen – beachten Sie dabei die jeweiligen Arbeitsbedingungen und die Art und Weise der auszuführenden Arbeiten.

*Der Gebrauch des Elektrowerkzeuges für andere als die vorgesehenen Anwendungen kann zu gefährlichen Situationen führen.*

## 5) Service

- a) Lassen Sie Elektrowerkzeuge durch qualifizierte Fachkräfte und unter Einsatz passender, zugelassener Originalteile warten.

*Dies sorgt dafür, dass die Sicherheit des Elektrowerkzeugs nicht beeinträchtigt wird.*

## VORSICHT

Von Kindern und gebrechlichen Personen fernhalten. Werkzeuge sollten bei Nichtgebrauch außerhalb der Reichweite von Kindern und gebrechlichen Personen aufbewahrt werden.

## FÜR SCHLEIFARBEITEN GELTENDE SICHERHEITSHINWEISE

- a) Dieses Elektrowerkzeug kann als Schleifmaschine eingesetzt werden. Bitte beachten Sie sämtliche mit diesem Gerät gelieferten Sicherheitshinweise, Anweisungen, Illustrationen und technischen Angaben.

*Wenn nicht sämtliche nachstehenden Anweisungen befolgt werden, kann es zu Stromschlag, Feuergefahr und/oder ernsthaften Verletzungen kommen.*

- b) Es wird nicht empfohlen, Arbeiten wie Sandpapierschleifen, Drahtbürsten, oder Polieren mit diesem Elektrowerkzeug auszuführen.

*Arbeiten, für die dieses Elektrowerkzeug nicht konzipiert wurde, könnten eine Gefahr darstellen, die zu Verletzungen oder Geräteschäden führen könnten.*

- c) Verwenden Sie keine Zubehörteile, die nicht speziell vom Hersteller für die Verwendung mit dem Werkzeug konzipiert und empfohlen wurden.

*Der Umstand, dass ein Zubehörteil an dem Elektrowerkzeug angebracht werden kann, bedeutet nicht, dass damit ein sicherer Betrieb garantiert ist.*

- d) Die Nenndrehzahl des Schleifkörpers muss mindestens der maximalen auf dem Elektrowerkzeug angegebenen Drehzahl entsprechen.

*Schleifkörper, die mit einer höheren Geschwindigkeit als ihrer Nenndrehzahl betrieben werden, können zerbersten und in Folge können Bruchstücke davon weggeschleudert werden.*

- e) Außendurchmesser und Dicke des Schleifkörpers müssen den Maßangaben Ihres Elektrowerkzeugs entsprechen.

*Falsch bemessene Schleifkörper können nicht ausreichend abgesichert oder bei Arbeit nicht ausreichend kontrolliert werden.*

- f) Schleifscheiben, Flansche, Schleifteller oder anderes Zubehör müssen genau auf die Schleifspindel Ihres Elektrowerkzeugs passen.

*Einsatzwerkzeuge, die nicht genau auf die Schleifspindel des Elektrowerkzeugs passen, laufen mit Unwucht, vibrieren sehr stark und können zu einem Verlust der Kontrolle über das Werkzeug führen.*

- g) Benutzen Sie niemals beschädigte Schleifkörper. Überprüfen Sie vor jedem Gebrauch Einsatzwerkzeuge wie Schleifkörper auf Absplitterungen und Risse, Schleifteller auf Sprünge, Risse oder starke Abnutzung, Drahtbürsten auf lose oder gebrochene Drähte. Wenn das Elektrowerkzeug oder der Schleifkörper herunter fällt, überprüfen Sie es/ihn auf Beschädigung oder montieren Sie einen unbeschädigten Schleifkörper. Lassen Sie nach Prüfung und Montage des Schleifkörpers das Elektrowerkzeug eine Minute lang mit maximaler Leerlaufdrehzahl laufen. Achten Sie dabei darauf, dass Sie und alle anderen in der Nähe befindlichen Personen sich außerhalb der Rotationsebene des Schleifkörpers aufhalten.

*Normalerweise zerbersten schadhafte Schleifwerkzeuge bei einem solchen Probelauf.*

- h) Tragen Sie eine Schutzausrüstung. Benutzen Sie je nach Anwendung Gesichtsschutz oder Schutzbrille. Soweit angemessen, tragen Sie eine Staubmaske, einen Gehörschutz, Handschuhe sowie eine Arbeitsschürze, die geeignet sind, Sie vor Schleifkörper- und Werkstückteilen zu schützen. *Die Schutzbrille muss sich eignen, die bei unterschiedlichen Arbeiten weggeschleuderten Partikel abzuwehren. Die Staub- oder die Atemschutzmaske muss in der Lage sein, die bei der Arbeit entstehenden Partikel zu filtern. Eine dauerhaft hohe Lärmbelastung kann zu Gehörverlust führen.*

- i) Halten Sie umstehende Personen von Ihrem Arbeitsbereich fern. Jeder, der den Arbeitsbereich betritt, muss eine Schutzausrüstung tragen.

*Werkstückteilchen oder Stücke geborstener Schleifkörper können weggeschleudert werden und auch außerhalb des unmittelbaren Arbeitsbereiches Verletzungen verursachen.*

- j) Falls der Schleifkörper bei der Arbeit mit versteckt liegenden Leitungen oder mit der Anschlussleitung des Elektrowerkzeugs selbst in Berührung kommen kann, halten Sie das Elektrowerkzeug nur an seinen isolierten Griffflächen.

*Schleifkörper, die in Kontakt mit einer spannungsführenden Leitung kommen, können die Metallteile des Elektrowerkzeugs spannungsführend machen und dem Bediener einen elektrischen Schlag versetzen.*

- k) Halten Sie die Anschlussleitung des Elektrowerkzeugs stets vom drehenden Schleifkörper fern.

*Falls Sie die Kontrolle über das Elektrowerkzeug verlieren, kann die Anschlussleitung durchtrennt oder*

erfasst werden, und Ihre Hand oder Ihr Arm in das sich drehende Einsatzwerkzeug geraten.

- l) Legen Sie das Elektrowerkzeug niemals ab, bevor der Schleifkörper vollständig zum Stillstand gekommen ist.**

*Der sich drehende Schleifkörper kann in Berührung mit der Ablagefläche geraten, wodurch Sie die Kontrolle über das Elektrowerkzeug verlieren können.*

- m) Lassen Sie das Elektrowerkzeug nicht laufen, während Sie es tragen.**

*Der sich drehende Schleifkörper kann bei versehentlicher Berührung Ihre Kleidung erfassen und in Ihren Körper gezogen werden.*

- n) Reinigen Sie regelmäßig die Lüftungsöffnungen des Elektrowerkzeugs. Das Motorgebläse zieht Staub in das Gehäuse.**

*Übermäßige Ansammlungen von Metallstaub könnten zu elektrischen Gefährdungen führen.*

- o) Verwenden Sie das Elektrowerkzeug nicht in der Nähe entflammbarer Materialien.**

*Funken könnten diese Materialien entzünden.*

- p) Verwenden Sie keine Zubehörteile, die flüssige Kühlmittel erfordern.**

*Die Verwendung von Wasser oder anderen flüssigen Kühlmitteln kann zu einem elektrischen Schlag oder Schock führen.*

- b) Bringen Sie Ihre Hand nie in die Nähe rotierender Einsatzwerkzeuge.**

*Das Einsatzwerkzeug könnte sich beim Rückschlag über Ihre Hand bewegen.*

- c) Meiden Sie den Bereich, in den sich das Elektrowerkzeug bei einem Rückschlag bewegen würde.**

*Durch den Rückschlag wird das Elektrowerkzeug ruckartig entgegen der Drehrichtung der Schleifscheibe an der Blockierstelle bewegt.*

- d) Arbeiten Sie besonders vorsichtig im Bereich von Ecken und scharfen Kanten etc. Verhindern Sie, dass Einsatzwerkzeuge vom Werkstück zurückprallen und verkleben.**

*An Ecken und scharfen Kanten oder beim Abprallen neigen rotierende Einsatzwerkzeuge dazu, sich zu verkleben, was in weiterer Folge zum Verlust der Kontrolle des Werkzeugs oder zum Rückschlag führt.*

- e) Verwenden Sie kein Ketten- oder gezähntes Sägeblatt.**

*Solche Einsatzwerkzeuge führen häufig zu Rückschlag oder zum Verlust der Kontrolle über das Elektrowerkzeug.*

---

## BESONDERE SICHERHEITSHINWEISE FÜR SCHLEIFARBEITEN

---

### RÜCKSCHLAG UND DAZU GEHÖRIGE SICHERHEITSHINWEISE

Rückschlag ist die plötzliche Reaktion infolge eines Verklommens oder Verhakens eines drehenden Schleifkörpers, eines Schleiftellers oder einer Drahtbürste etc. Dieses Verklommen oder Verhaken führt zu einem plötzlichen Stopp des rotierenden Schleifkörpers, wodurch ein unkontrolliertes Elektrowerkzeug an der Blockierstelle ruckartig gegen die Drehrichtung des Schleifkörpers bewegt wird.

Wenn beispielsweise eine Schleifscheibe im Werkstück verklemt oder verhakt wird, kann sich die Kante der in die Blockierstelle eindringenden Schleifscheibe in die Oberfläche des Werkstücks graben, wodurch die Schleifscheibe ausbrechen oder einen Rückschlag verursachen kann. Je nach Drehrichtung der Scheibe an der Blockierstelle kann sich die Schleifscheibe dabei auf die Bedienperson zu oder von ihr weg bewegen. Schleifscheiben können unter diesen Umständen auch brechen.

Zum Rückschlag kommt es in Folge einer falschen und/oder nicht ordnungsgemäßen Verwendung des Elektrowerkzeugs. Dies kann durch geeignete Vorsichtsmaßnahmen vermieden werden, die im Folgenden beschrieben werden.

- a) Halten Sie das Elektrowerkzeug stets gut fest und bringen Sie Ihren Körper und Ihren Arm in eine Position, in der Sie mögliche Rückschlagkräfte abfangen können. Verwenden Sie immer den Zusatzgriff, falls vorhanden, um beim Hochlauf die größtmögliche Kontrolle über Rückschlagkräfte oder Reaktionsmomente zu haben.**

*Der Bediener kann Rückschlagkräfte oder Reaktionsmomente durch geeignete Vorsichtsmaßnahmen beherrschen.*

- a) Verwenden Sie lediglich die für Ihr Elektrowerkzeug zugelassenen Schleifkörper und die für diese Schleifkörper vorgesehene Schutzhaube.**

*Schleifkörper, die nicht für das Elektrowerkzeug vorgesehen sind, können nicht ausreichend abgeschirmt werden und ihre Verwendung ist daher nicht sicher.*

- b) Schleifkörper dürfen nur für die jeweils vorgesehenen Einsatzmöglichkeiten verwendet werden. Schleifen Sie beispielsweise nie mit der Seitenfläche einer Trennscheibe.**

*Trennscheiben sind zum Abtragen von Material durch die Scheibenkante bestimmt und können bei seitlicher Krafteinwirkung auf den Schleifkörper zerbrechen.*

- c) Verwenden Sie immer unbeschädigte Flansche in der für die gewählte Schleifscheibe passenden Größe und Form.**

*Passende Flansche stützen die Schleifscheibe und verringern so die Gefahr eines Zerbrechens der Schleifscheibe. Flansche für Trennscheiben können sich von Flanschen für andere Schleifscheiben unterscheiden.*

- d) Verwenden Sie niemals durch größere Elektrowerkzeuge abgenutzte Schleifscheiben.**

*Für größere Elektrowerkzeuge konzipierte Schleifscheiben sind nicht für die höheren Drehzahlen kleinerer Elektrowerkzeuge ausgelegt und können brechen.*

## ALLGEMEINE SICHERHEITSHINWEISE FÜR SCHLEIFGERÄTE

- Vergewissern Sie sich, dass die auf der Scheibe angegebene Geschwindigkeit mit der Sollgeschwindigkeit des Schleifers übereinstimmt oder diese übertrifft;
- Achten Sie darauf, dass die Abmessungen der Scheibe mit dem Schleifer kompatibel sind;
- Schleifscheiben müssen sorgfältig und in Übereinstimmung mit den Anweisungen des Herstellers gelagert und verwendet werden;
- Überprüfen Sie die Schleifscheibe vor dem Einsatz, verwenden Sie keine angeschlagenen, gebrochenen oder sonstwie defekte Produkte;
- Achten Sie darauf, dass Scheiben und Gegenstücke gemäß den Anweisungen des Herstellers angebracht werden;
- Denken Sie daran, mit dem Verbundprodukt gelieferte Papierflansche zu verwenden, wenn diese benötigt werden;
- Achten Sie darauf, dass das Schleifmittel vor dem Einsatz richtig montiert und angezogen wird, lassen Sie das Werkzeug 30 Sekunden lang unbelastet in einer sicheren Position laufen, stoppen Sie das Gerät sofort, falls Sie deutliche Vibrationen oder andere Defekte bemerken sollten. Falls dies eintritt, überprüfen Sie das Gerät und versuchen Sie, die Ursache herauszufinden;
- Falls das Werkzeug mit einer Schutzeinrichtung ausgerüstet ist, benutzen Sie das Werkzeug niemals ohne diese Schutzeinrichtung;
- Verwenden Sie keine separaten Reduzierhülsen oder Adapter, um Schleifscheiben mit großem Lochdurchmesser zu montieren;
- Bei Werkzeugen, die zum Einsatz mit Gewinde-Schleifscheiben vorgesehen sind, vergewissern Sie sich, dass das Gewinde in der Scheibe lang genug ist, um die Welle in ganzer Länge aufzunehmen;
- Vergewissern Sie sich, dass das Werkstück richtig gestützt wird;
- Verwenden Sie keine Trennscheiben für seitliche Schleifarbeiten;
- Achten Sie darauf, dass bei der Arbeit entstehende Funken keine Unfälle verursachen – keine Personen treffen oder entflammare Materialien entzünden;
- Sorgen Sie dafür, dass Belüftungsöffnungen jederzeit frei bleiben, wenn Sie unter staubigen Bedingungen arbeiten. Falls Staub beseitigt werden muss, ziehen Sie zuerst den Netzstecker (verwenden Sie dafür keine Metallgegenstände) und vermeiden Sie Beschädigungen von innen liegenden Teilen;
- Tragen Sie grundsätzlich eine Schutzbrille und einen Gehörschutz. Darüber hinaus sollten Sie in eine persönliche Schutzausrüstung wie Staubmaske, Handschuhe, Helm und Schürze tragen;
- Geben Sie gut auf die Scheibe acht; nach dem Ausschalten des Werkzeuges dreht sich diese noch eine Zeit lang weiter.

## TECHNISCHE DATEN

Spannung (je nach Gebiet)*	(110V, 120V, 127V, 220V, 230V, 240V) ~
Leistungsaufnahme*	520 W
Leerlaufdrehzahl*	29000 min <sup>-1</sup>
Max. Schleifscheiben-Durchmesser*	25 mm
Spannfutter-Kapazität**	6 mm
Gewicht (ohne Kabel)	1,7 kg

\* Vergessen Sie nicht, die Produktangaben auf dem Typenschild zu überprüfen, da sich diese je nach Verkaufsgebiet ändern.

\*\* Je nach Wohngebiet unterschiedlich.

## STANDARDZUBEHÖR

- (1) Schlüssel (17mm) ..... 1
  - (2) Schlüssel (12mm) ..... 1
  - (3) Seitengriff (nicht mitgeliefert von Areas) ..... 1
- Das Standardzubehör kann ohne vorherige Bekanntmachung jederzeit geändert werden.

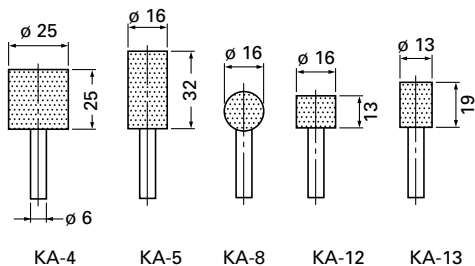
## SONDERZUBEHÖR (separat zu beziehen)

- Spannfutter
  - für 3mm Schaft
  - für 3,175mm (1/8") Schaft
  - für 6,35mm (1/4") Schaft
  - für 8mm Schaft

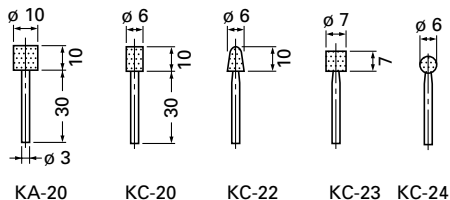
Die Abmessungen, außer dem Schaftloch, und die Behandlungsweisen entsprechen dem 6mm Spannfutter.

- Schleifscheiben mit 6mm Schaft
 

Alle Schleifscheiben sind mit WA-Korn, 60 Gradierung und P-Verbindung versehen und sind anwendbar zum Schleifen von allgemeinen und Spezialstahl-Materialien.



- Schleifscheiben mit 3mm Schaft  
 Alle Schleifscheiben sind mit WA-Korn, 80 Graduierung und P-Verbindung versehen und sind anwendbar zum Schleifen von allgemeinen und Spezialstahl-Materialien.



- Ausrichter
  - Koffer
- Das Sonderzubehör kann ohne vorherige Bekanntmachung jederzeit geändert werden.

## ANWENDUNGSGEBIETE

- Endbearbeitung von Formen für Preßformen, Druckgießen und Formen.
- Endbearbeitung von Gewindeschneid-Formen, Werkzeugen und anderen kleinen Teilen.
- Internes Schleifen von Werkzeugen und Maschinenteilen.

(wenn  $\ell = 15$  mm)

d	3 mm, 3,175 mm (1/8")				6 mm, 6,35 mm (1/4")				8 mm
D	5 mm	6 mm	8 mm	10 mm	13 mm	16 mm	20 mm	25 mm	25 mm
L	10 mm	13 mm	16 mm	13 mm	40 mm	40 mm	25 mm	25 mm	32 mm

## 5. Benutzung des Seitengriffs (Abb. 3)

- Benutzen Sie unbedingt den Seitengriff, um die Gefahr eines schweren Stromschlags zu vermeiden. Bringen Sie den Seitengriff an der Maschine wie folgt an:
- (1) Lockern Sie das Spannfutter für den Seitengriff und schieben Sie den Seitengriff in den vorspringenden Klammerteil der Maschine vom Flanschteil der Seitengriffmuffe her ein.
  - (2) Platzieren Sie den Seitengriff so, dass er für den Arbeitsvorgang an der richtigen Stelle sitzt und ziehen Sie dann das Spannfutter für den Seitengriff fest.

## VOR INBETRIEBNAHME

- 1. Netzspannung**  
 Prüfen, daß die zu verwendende Netzspannung der Angabe auf dem Typenschild entspricht.
- 2. Netzschalter**  
 Prüfen, daß der Netzschalter auf "AUS" steht. Wenn der Stecker an das Netz angeschlossen wird, während der Schalter auf "EIN" steht, beginnt das Werkzeug sofort zu laufen, was gefährlich ist.
- 3. Verlängerungskabel**  
 Wenn der Arbeitsbereich nicht in der Nähe des Netzanschlusses liegt, ist ein Verlängerungskabel ausreichender Querschnitts und ausreichender Nennleistung zu verwenden. Das Verlängerungskabel sollte so kurz wie möglich gehalten werden.
- 4. Installieren einer Schleifscheibe**

Eine Schleifscheibe so installieren, daß die Länge  $\ell$  weniger als 15mm beträgt. Wenn  $\ell$  länger ist, treten unnormale Vibrationen auf, und die Maschine wird nicht nur negativ beeinflusst, sondern es besteht auch die Möglichkeit eines ernsthaften Unfalls. Deshalb  $\ell$  so klein wie möglich machen.

Wenn  $d = 6$  mm, 6,35mm (1/4"), 8mm beträgt, sollte  $D$  der Schleifscheibe weniger als 25mm sein. Wenn eine Schleifscheibe mit  $D$  größer als 25mm verwendet wird, übersteigt die Umfangsgeschwindigkeit die Sicherheitsgrenze, und die Schleifscheibe wird brechen. Niemals eine solche Scheibe benutzen. Die Distanz  $L$  ist von  $D$  abhängig. Nach der untenstehenden Tabelle  $L$  bestimmen. Wenn  $d = 3$  mm, 3,175mm (1/8") beträgt, sollte  $D$  weniger als 10mm sein.  $L$  nach der untenstehenden Tabelle bestimmen.

Schleifscheiben können mit den Schlüsseln einfach angebracht und abgenommen werden. (Abb. 2)

### HINWEIS:

- Das Spannfutter nicht mit einem Schaft, der dünner als der reguläre Schaftdurchmesser (6mm) ist, oder in leerem Zustand anziehen, weil sonst das Spannfutter beschädigt wird.
- Wenn eine Schleifscheibe mit Schaft installiert wird, vor dem Anziehen des Spannfutters eine kleine Menge Wellenöl (oder Nähmaschinenöl) an den verjüngten Teil geben, der in **Abb. 1** markiert ist.

## VERWENDUNG

### 1. Schalten

- (1) Durch Schalten des Hebels nach rechts (ON) wird die Spannung eingeschaltet, durch Schalten nach links (OFF) wird die Spannung ausgeschaltet.
- (2) Beim ersten Einschalten nach der Installation einer neuen Schleifscheibe körperliche Nähe zum Drehumfang der Schleifscheibe vermeiden, um Gefahren durch eine mögliche falsche Installation zu vermeiden.

- (3) Vor dem eigentlichen Betrieb die Maschine testen. Dabei die Schleifscheibe in eine ungefährliche Richtung halten.

## 2. Vorsichtsmaßnahmen beim Betrieb

- (1) Die Schleifscheibe nur leicht auf das zu schleifende Material drücken. Zum Schleifen sind hohe Drehzahlen erforderlich. Durch Verwendung einer Hand-Schleifmaschine mit hoher Drehzahl wird der erforderliche Druck verringert.
- (2) Ausrichten der Schleifscheibe  
Nach Anbringen der Schleifscheibe eine Seitenabweichung der Schleifscheibenmitte mit einem Ausrichter korrigieren (separat zu beziehen). Wenn die Schleifscheibenmitte exzentrisch ist, ist nicht nur präzise Bearbeitung unmöglich, sondern auch die Schleifvibrationen nehmen zu und senken die Schleifgenauigkeit und Zuverlässigkeit.

Eine verschmutzte oder abgenutzte Schleifscheibe verunreinigt die Bearbeitungsfläche oder vermindert die Schleif-Effektivität. Gelegentlich die Schleifscheibe mit dem Ausrichter ausrichten.

## AUSWAHL DER SCHLEIFSCHEIBEN

Die Art der Schleifscheibe ist abhängig von dem zu schleifenden Material. Eine geeignete Schleifscheibe für das zu schleifende Material wählen. Die folgende Tabelle gibt eine Übersicht über Schleifscheiben und Materialien.

Zu schleifende Materialien	Korn	Graduierung	Bindergrad	Struktur	Bindemittel
Flußstahl, Hartstahl, Schmiedestahl	WA	60~80	P	m	V
Gußeisen	C	36	M-O	m	V
Bessing, bronze, Aluminium	C	36	J-K	m	V
Keramik	WA	60~80	M	m	V
Kunstharz	C	36	K-M	m	V

Zum Schleifen kleiner Flächen gibt es kleine Schleifscheiben mit Schaft, deren Abmessungen und Formen in "SONDERZUBEHÖR" gezeigt werden. Da der Schleifscheibenschaft-Durchmesser 3mm beträgt, sollte das Spannfutter für 3mm Schaft verwendet werden, das als Sonderzubehör beim HiKOKI-Fachhändler erhältlich ist.

## WARTUNG UND INSPEKTION

### 1. Inspektion der Schleifscheibe

Sicherstellen, daß die Schleifscheibe keine Risse und Beschädigungen an der Oberfläche aufweist.

### 2. Inspektion der Befestigungsschrauben

Alle Befestigungsschrauben werden regelmäßig inspiziert und geprüft, ob sie gut angezogen sind. Wenn sich eine der Schrauben lockert, muß sie sofort wieder angezogen werden. Geschieht das nicht, kann das zu erheblichen Gefahren führen.

### 3. Wartung des Motors

Die Motorwicklung ist das "Herz" des Elektrowerkzeugs. Daher ist besonders sorgfältig darauf zu achten, daß die Wicklung nicht beschädigt wird und/oder mit Öl oder Wasser in Berührung kommt.

### 4. Inspektion der Kohlebürsten (Abb. 4)

Im Motor sind Kohlebürsten verwendet, die Verbrauchsteile sind. Übermäßig abgenutzte Kohlebürsten führen zu Motor, problemen. Deshalb wird eine Kohlebürste durch eine neue ersetzt, die dieselbe Nummer trägt wie auf der Abbildung gezeigt, wenn sie teilweise oder ganz verbraucht ist. Darüber hinaus müssen die Kohlebürsten immer sauber gehalten werden und müssen sich in der Halterung frei bewegen können.

### 5. Austausch einer Kohlebürste (Abb. 5)

<Zerlegen>

- (1) Die D4-Schneidschraube an der hinteren Abdeckung herausschrauben und die hintere Abdeckung entfernen.
- (2) Mit dem mitgelieferten Sechskantschlüssel oder einem Schraubenzieher die Kante der Feder hochziehen, die die Kohlebürste nach unten drückt. Die Kante der Feder zur Außenseite des Kohlebürstenhalters hin herausziehen.
- (3) Die Kante der Anschlußlitze an der Kohlebürste von dem Anschlußteil des Bürstenhalters entfernen und die Kohlebürste aus dem Bürstenhalter nehmen.

<Baugruppe>

- (1) Das Ende der Kohlebürsten-Anschlußlitze in den Anschlußteil des Bürstenhalters einstecken.
- (2) Die Kohlebürste in den Bürstenhalter einsetzen.
- (3) Die Kante der Feder mit dem mitgelieferten Sechskantschlüssel oder einem Schraubenzieher wieder zurück zum Kohlebürstenkopf drücken.

### HINWEIS:

- Stellen Sie sicher, daß das Ende der Feder nicht die Anschlußlitze festklemmt.
- (4) Die hintere Abdeckung wieder ansetzen und mit den D4-Schneidschrauben montieren.

### 6. Liste der Wartungsteile

#### ACHTUNG

Reparatur, Modifikation und Inspektion von HiKOKI-Elektrowerkzeugen müssen durch ein autorisiertes HiKOKI-Kundendienstzentrum durchgeführt werden. Diese Teileliste ist hilfreich, wenn sie dem autorisierten HiKOKI-Kundendienstzentrum zusammen mit dem Werkzeug für Reparatur oder Wartung ausgehändigt wird.



Bei Betrieb und Wartung von Elektrowerkzeugen müssen die Sicherheitsvorschriften und Normen beachtet werden.

#### MODIFIKATIONEN

HiKOKI-Elektrowerkzeuge werden fortwährend verbessert und modifiziert, um die neuesten technischen Fortschritte einzubauen.

Dementsprechend ist es möglich, daß einige Teile ohne vorherige Benachrichtigung geändert werden.

---

#### GARANTIE

---

Auf HiKOKI-Elektrowerkzeuge gewähren wir eine Garantie unter Zugrundelegung der jeweils geltenden gesetzlichen und landesspezifischen Bedingungen. Dieses Garantie erstreckt sich nicht auf Gehäusedefekte und nicht auf Schäden, die auf Missbrauch, bestimmungswidrigen Einsatz oder normalen Verschleiß zurückzuführen sind. Im Schadensfall senden Sie das nicht zerlegte Elektrowerkzeug zusammen mit dem GARANTIESCHEIN, den Sie am Ende der Bedienungsanleitung finden, an ein von HiKOKI autorisiertes Servicecenter.

---

#### ANMERKUNG:

Aufgrund des ständigen Forschungs- und Entwicklungsprogramms von HiKOKI sind Änderungen der hierin gemachten technischen Angaben nicht ausgeschlossen.

---

#### Information über Betriebslärm und Vibration

Die gemessenen Werte wurden entsprechend EN60745 bestimmt und in Übereinstimmung mit ISO 4871 ausgewiesen.

Gemessener A-gewichteter Schallpegel: 94 dB (A)

Gemessener A-gewichteter Schalldruck: 83 dB (A)

Messunsicherheit KpA: 3 dB (A)

Gehörschutz tragen.

Gesamtvibrationswerte (3-Achsen-Vektorsumme), bestimmt gemäß EN60745.

Oberflächenschleifen:

Vibrationsemissionswert **a<sub>h</sub>, S<sub>G</sub>** = 2,6 m/s<sup>2</sup>

Messunsicherheit K = 1,5 m/s<sup>2</sup>

---

#### WARNUNG

- Der Vibrationsemissionswert während der tatsächlichen Benutzung des Elektrowerkzeugs kann von dem deklarierten Wert abweichen, abhängig davon, wie das Werkzeug verwendet wird.
- Zur Festlegung der Sicherheitsmaßnahmen zum Schutz des Bedieners, die auf einer Expositionseinschätzung unter den tatsächlichen Benutzungsbedingungen beruhen (unter Berücksichtigung aller Bereiche des Betriebszyklus, darunter neben der Triggerzeit auch die Zeiten, in denen das Werkzeug ausgeschaltet ist oder im Leerlaufbetrieb läuft).

## AVERTISSEMENTS DE SÉCURITÉ GÉNÉRAUX CONCERNANT LES OUTILS ÉLECTRIQUES

### AVERTISSEMENT

Lire tous les avertissements de sécurité et toutes les instructions.

*Tout manquement à observer ces avertissements et instructions peut engendrer des chocs électriques, des incendies et/ou des blessures graves.*

Conservez tous les avertissements et toutes les instructions pour vous y référer ultérieurement.

*Le terme "outil électrique", utilisé dans les avertissements, se réfère aux outils électriques (câblé) ou aux outils à piles (sans fil).*

#### 1) Sécurité sur l'aire de travail

- Maintenir l'aire de travail propre et bien éclairée.**  
*Les endroits encombrés ou sombres sont propices aux accidents.*
- Ne pas utiliser d'outils électriques en présence de liquides, gaz ou poussière inflammables, au risque de provoquer une explosion.**  
*Les outils électriques créent des étincelles susceptibles d'enflammer la poussière ou les vapeurs.*
- Ne pas laisser les enfants et les visiteurs s'approcher de vous lorsque vous utilisez un outil électrique.**  
*Les distractions peuvent faire perdre le contrôle.*

#### 2) Sécurité électrique

- Les prises de l'outil électrique doivent correspondre à la prise secteur.**  
**Ne jamais modifier la prise.**  
**Ne pas utiliser d'adaptateurs avec les outils électriques mis à la masse.**  
*Les prises non modifiées et les prises secteurs correspondantes réduisent les risques de choc électrique.*
- Eviter tout contact avec les surfaces mises à la masse telles que les tuyaux, radiateurs, bandes et réfrigérateurs.**  
*Le risque de choc électrique est accru en cas de mise à la masse du corps.*
- Ne pas exposer les outils électriques à la pluie ou à des conditions humides.**  
*Si l'eau pénètre dans l'outil, cela augmente les risques de choc électrique.*
- Ne pas utiliser le cordon à tort. Ne jamais utiliser le cordon pour transporter ou débrancher l'outil électrique.**  
**Maintenir le cordon loin de la chaleur, de l'huile, des bords pointus ou des pièces mobiles.**  
*Les cordons endommagés ou usés augmentent les risques de choc électrique.*
- En cas d'utilisation d'un outil électrique à l'extérieur, utiliser un cordon de rallonge adapté à un usage extérieur.**  
*L'utilisation d'un cordon adapté à l'usage extérieur réduit les risques de choc électrique.*
- Si vous devez utiliser un outil électrique dans un endroit humide, utilisez une alimentation protégée contre les courants résiduels.**  
*L'utilisation d'un dispositif de protection contre les courants résiduels réduit le risque de choc électrique.*

#### 3) Sécurité personnelle

- Restez alerte, regarder ce que vous faites et usez de votre bon sens en utilisant un outil électrique.**

**Ne pas utiliser d'outil électrique si vous êtes sous l'influence de drogues, d'alcool ou de médicaments.**

*Pendant l'utilisation d'outils électrique, un instant d'inattention peut entraîner des blessures graves.*

- Utiliser un équipement de protection individuelle. Toujours porter des verres de protection.**  
*L'utilisation d'équipements de protection tels que les masques anti-poussière, les chaussures de sécurité anti-dérapantes, les casques ou les protections auditives dans des conditions appropriées réduisent les risques de blessures.*
  - Empêcher les démarrages intempestifs. Veiller à ce que l'interrupteur soit en position d'arrêt avant de brancher à une source d'alimentation et/ou une batterie, de ramasser l'outil au sol ou de le transporter.**  
*Transporter les outils électriques avec le doigt sur l'interrupteur ou brancher les outils électriques avec l'interrupteur en position de marche peut entraîner des accidents.*
  - Retirer toute clé de sécurité ou clé avant de mettre l'outil électrique en marche.**  
*Laisser une clé ou une clé de sécurité sur une partie mobile de l'outil électrique peut engendrer des blessures.*
  - Ne pas trop se pencher. Toujours garder une bonne assise et un bon équilibre pendant le travail.**  
*Cela permet un meilleur contrôle de l'outil électrique dans des situations imprévisibles.*
  - Porter des vêtements adéquats. Ne pas porter de vêtements amples ni de bijoux. Maintenir les cheveux, les vêtements et les gants loin des pièces mobiles.**  
*Les vêtements amples ou les cheveux longs peuvent se prendre dans les pièces mobiles.*
  - En cas de dispositifs destinés au raccordement d'installations d'extraction et de recueil de la poussière, veiller à ce qu'ils soient correctement raccordés et utilisés.**  
*L'utilisation d'un dispositif de collecte de la poussière peut réduire les dangers associés à la poussière.*
- #### 4) Utilisation et entretien d'un outil électrique
- Ne pas forcer sur l'outil électrique. Utiliser l'outil électrique adapté à vos travaux.**  
*Le bon outil électrique fera le travail mieux et en toute sécurité au régime pour lequel il a été conçu.*
  - Ne pas utiliser l'outil électrique si l'interrupteur ne le met pas en position de marche et d'arrêt.**  
*Tout outil ne pouvant être contrôlé par l'interrupteur est dangereux et doit être réparé.*
  - Débrancher la prise et/ou la batterie avant de procéder à des réglages, au remplacement des accessoires ou au stockage des outils électriques.**  
*Ces mesures préventives de sécurité réduisent les risques de démarrage accidentel de l'outil électrique.*
  - Stockez les outils électriques inutilisés hors de la portée des enfants et ne pas laisser des personnes non familiarisées avec l'outil ou ces instructions utiliser l'outil électrique.**  
*Les outils électriques sont dangereux entre les mains d'utilisateurs non habilités.*
  - Entretenir les outils électriques. Vérifier l'absence de mauvais alignement ou d'arrêt, d'endommagement de pièces ou toute autre condition susceptible d'affecter l'opération de l'outil.**  
**Si l'outil est endommagé, le faire réparer avant utilisation.**  
*De nombreux accidents sont dus à des outils mal entretenus.*

- f) **Maintenir les outils coupants aiguisés et propres.**  
*Des outils coupants bien entretenus avec des bords aiguisés sont moins susceptibles de se coincer et plus simples à contrôler.*
- g) **Utiliser l'outil électrique, les accessoires et les mèches de l'outil, etc. conformément à ces instructions en tenant compte des conditions d'utilisation et du travail à réaliser.**  
*L'utilisation de l'outil électrique pour des opérations différentes de celles pour lesquelles il a été conçu est dangereuse.*

**5) Service**

- a) **Faire entretenir l'outil électrique par un technicien habilité à l'aide de pièces de rechange identiques exclusivement.**  
*Cela garantira le maintien de la sécurité de l'outil électrique.*

**PRECAUTIONS**

**Maintenir les enfants et les personnes infirmes éloignés.**

**Lorsque les outils ne sont pas utilisés, ils doivent être rangés hors de portée des enfants et des personnes infirmes.**

**AVERTISSEMENTS DE SÉCURITÉ COURANTS AUX OPÉRATIONS DE MEULAGE**

- a) **Cet outil électrique est conçu pour fonctionner comme meule. Lisez tous les avertissements, instructions, illustrations et spécifications accompagnant le présent outil.**  
*L'inobservation des instructions énumérées ci-dessous peut entraîner un choc électrique, un incendie et/ou une blessure grave.*
- b) **Il est déconseillé d'utiliser cet outil électrique pour le ponçage, le brossage métallique, le polissage ou le découpage.**  
*Toute utilisation de cet appareil à une fin autre que celles prévues est dangereuse et peut provoquer une blessure corporelle.*
- c) **N'utilisez pas d'accessoires autres que ceux spécifiquement désignés et recommandés par le fabricant.**  
*Le fait de pouvoir fixer un accessoire sur l'appareil ne signifie pas que son utilisation est sécurisée.*
- d) **La vitesse nominale de l'appareil doit être au moins égale à la vitesse maximale indiquée sur l'outil électrique.**  
*Les accessoires utilisés à une vitesse supérieure à la vitesse nominale peuvent se briser et se détacher.*
- e) **Le diamètre extérieur et l'épaisseur de votre accessoire doivent être inférieurs à la capacité nominale de votre outil électrique.**  
*Les accessoires de taille incorrecte ne peuvent être correctement protégés ou contrôlés.*
- f) **La taille d'ancrage des roues, brides, plaques ou autres accessoires doit être adaptée à l'arbre de l'outil électrique.**  
*Les accessoires comprenant des orifices d'ancrage qui ne correspondent pas au matériel de montage de l'outil électrique seront déséquilibrés, entraînant des vibrations excessives pouvant aboutir à une perte de contrôle.*
- g) **N'utilisez pas d'accessoire endommagé. Avant chaque utilisation, vérifiez que l'accessoire (par exemple les meules) n'est pas ébréché, craquelé ou**

**défectueux, que la plaque n'est pas fissurée ou usée, et que la brosse est bien fixée et en bon état. Si l'outil électrique ou l'accessoire est tombé, vérifiez qu'il n'est pas endommagé ou installez un accessoire en bon état. Après avoir vérifié l'accessoire ou en avoir installé un nouveau, restez à l'écart de l'accessoire et faites tourner l'outil à vide pendant une minute à vitesse maximale.**

*Si les accessoires sont endommagés, ils se cassent pendant ce test.*

- h) **Portez un équipement de protection individuelle. Selon l'application, utilisez un masque ou des lunettes de sécurité. Si besoin, portez un masque anti-poussière, des protecteurs d'oreille, des gants et un tablier capable d'arrêter les petits fragments abrasifs.**

*La protection oculaire doit être capable d'arrêter les projections de débris générés au cours des différentes opérations. Le masque à poussière et le respirateur doivent être capables de filtrer les particules générées par votre opération. Une exposition prolongée à des bruits de haute intensité peut entraîner une perte d'audition.*

- i) **Toutes les personnes à proximité doivent rester à distance de l'aire de travail. Toute personne entrant dans l'aire de travail doit porter un équipement de protection individuelle.**

*Les fragments de pièce usinée ou d'accessoire brisé peuvent être projetés au delà de la zone d'opération immédiate et provoquer une blessure.*

- j) **Maintenez l'outil électrique uniquement par les surfaces isolées lorsque vous effectuez une opération au cours de laquelle l'accessoire peut entrer en contact avec des câbles ou son propre câble d'alimentation.**

*Si l'accessoire de découpe entre en contact avec un câble sous tension, les pièces métalliques de l'outil électrique risquent de transmettre le courant et d'infliger une décharge électrique à l'opérateur.*

- k) **Éloignez le cordon de l'accessoire en rotation. Si vous perdez le contrôle, le cordon risque d'être découpé, et vous risquez de vous coincer le main ou le bras dans l'accessoire en rotation.**

- l) **Ne posez jamais l'outil électrique avant l'arrêt complet de l'accessoire.**

*L'accessoire en rotation risque d'accrocher la surface et de vous faire perdre le contrôle de l'outil électrique.*

- m) **Ne faites pas tourner l'outil électrique pendant que vous le transportez à la main.**

*L'accessoire en rotation risque d'accrocher vos vêtements ou de vous blesser.*

- n) **Nettoyez régulièrement les événements de l'outil électrique.**

*Le ventilateur du moteur risque d'attirer la poussière à l'intérieur du logement et l'accumulation excessive de métaux en poudre risque de provoquer un court-circuit.*

- o) **N'utilisez pas l'outil électrique à proximité de matériaux inflammables.**

*Ces matériaux risquent de prendre feu sous l'effet des étincelles.*

- p) **N'utilisez pas d'accessoires nécessitant des liquides de refroidissement.**

*L'usage d'eau ou d'autres liquides de refroidissement peut entraîner une électrocution ou un choc électrique.*

## RECU DE L'APPAREIL ET AVERTISSEMENTS ASSOCIÉS

Le recul est une réaction soudaine provoquée par le pincement ou le coincement d'une meuleuse, d'une plaque, d'une brosse ou autre type d'accessoire. L'accessoire en rotation cale alors rapidement, ce qui projette l'outil électrique dans la direction opposée à la rotation de l'accessoire.

Par exemple, si une meule est coincée par la pièce à usiner, le rebord de la meule entrant dans le point de pincement peut accrocher la surface du matériau, entraînant un déchaussement de la meule. La meule peut alors dévier de sa trajectoire, vers l'opérateur ou dans la direction opposée, selon la direction de la meule au point de pincement. Les meules abrasives risquent de se briser.

Le recul est le résultat d'une utilisation abusive de l'outil électrique et/ou de l'inobservation des procédures d'utilisation. Il peut être évité en suivant les quelques précautions indiquées ci-dessous.

**a) Maintenez fermement l'outil électrique et positionnez-vous de manière à résister aux reculs. Utilisez toujours la poignée auxiliaire, si prévue sur l'appareil, afin de contrôler au mieux ou recul ou la réaction de couple au cours du démarrage.**

*L'opérateur peut contrôler les réactions de couple ou les forces de recul s'il prend les précautions adéquates.*

**b) Ne placez jamais votre main à proximité de l'accessoire en rotation.**

*En reculant, l'accessoire peut blesser votre main.*

**c) Ne placez pas votre corps dans la zone de recul de l'appareil.**

*Le recul propulse l'outil dans la direction opposée au mouvement de la meule au point de pincement.*

**d) Faites particulièrement attention lorsque vous travaillez sur des coins ou des rebords tranchants, etc. Évitez de faire rebondir l'accessoire et de le coincer.**

*Les coins, rebords tranchants ou les rebonds ont tendance à coincer l'accessoire en rotation, provoquant une perte de contrôle ou un recul.*

**e) Ne fixez pas de scie à chaîne, de lame à sculpter ou autre lame de scie à dents.**

*Ces lames sont souvent à l'origine de retours et de pertes de contrôle.*

## AVERTISSEMENTS DE SÉCURITÉ SPÉCIFIQUES AUX OPÉRATIONS DE MEULAGE

**a) Utilisez uniquement des types de meules recommandées pour votre outil électrique ainsi que le dispositif de protection spécifiquement conçu pour la meule utilisée.**

*Les meules autres que celles pour lesquelles cet outil électrique a été conçu ne peuvent être protégées de manière adéquate et ne sont pas sécurisées.*

**b) Les meules doivent uniquement être utilisées pour les applications recommandées. Par exemple : n'utilisez pas le côté à tronçonner de la meule pour abraser.**

*Les meules de tronçonnage par abrasion sont prévues pour un meulage périphérique. L'application d'une force latérale peut les faire briser en éclats.*

**c) Utilisez toujours des brides de taille et de forme adaptées à la meule utilisée.**

*Les brides supportent la meule, réduisant ainsi le risque de bris. Les brides de meules de tronçonnage être différentes des brides de meules de remouleur.*

**d) N'utilisez pas de meules usées provenant d'outils électriques plus puissants.**

*Les meules prévues pour des outils électriques plus puissants ne sont pas adaptées à la vitesse (supérieure) d'un outil de plus petite taille et risquent d'éclater.*

## CONSIGNES DE SECURITE GENERALES RELATIVES AUX MEULEUSES DROITES

- Vérifiez que la vitesse indiquée sur la meule est égale ou supérieure à la vitesse nominale de la meuleuse.
- Vérifiez que les dimensions des meules sont compatibles avec la meuleuse.
- Les meules abrasives doivent être stockées et manipulées conformément aux instructions du fabricant.
- Inspectez la meule de la meuleuse avant utilisation, n'utilisez pas de produits ébréchés, craquelés ou défectueux.
- Vérifiez que les meules et les points montés sont installés conformément aux instructions du fabricant.
- Vérifiez que les buvards sont utilisés lorsqu'ils sont équipés du produit abrasif stratifié et lorsqu'ils sont nécessaires.
- Vérifiez que le produit abrasif est correctement monté et serré avant d'utiliser et de démarrer l'outil sans charge pendant 30 secondes en position sûre ; en cas de vibrations excessives ou autres défauts, arrêtez immédiatement l'outil. Si tel est le cas, vérifiez la machine pour en déterminer la cause.
- Si l'outil est équipé d'un protecteur, ne jamais utiliser cet outil sans ce protecteur.
- N'utilisez pas de douilles de réductions ou d'adaptateurs pour adapter des meules abrasives à grand orifice.
- Pour les outils destinés à être équipés d'une meule à orifice fileté, vérifiez que le fil dans la meule est suffisamment long pour accueillir la longueur de la broche.
- Vérifiez que la pièce de travail est correctement supportée.
- Ne pas utiliser de meule de coupe pour l'affûtage latéral.
- Vérifiez que les étincelles dues à l'utilisation ne représentent pas un danger, par ex. ne touchent pas des personnes ou enflamment des substances inflammables.
- Vérifiez que les bouches d'aération ne sont pas obstruées en travaillant dans un environnement poussiéreux; s'il est nécessaire de nettoyer la poussière, débranchez d'abord l'outil de la prise d'alimentation (utilisez des objets non métalliques) et évitez d'endommager les pièces internes;

- Utilisez toujours des lunettes et des protections auriculaires. Il est recommandé de porter des équipements de protection personnelle tels qu'un masque, des gants, un casque et un tablier.
- Prenez garde à la meule qui continue de tourner une fois l'outil éteint.

## SPECIFICATION

Tension (par zone)*	(110V, 120V, 127V, 220V, 230V, 240V) ~
Puissance*	520 W
Vitesse sans charge*	29000 min <sup>-1</sup>
Diamètre maximum de la meule*	25 mm
Capacité du mandrin à collet**	6 mm
Poids (sans fil)	1,7 kg

\* Assurez-vous de vérifier la plaque signalétique sur le produit, qui peut changer suivant les régions.

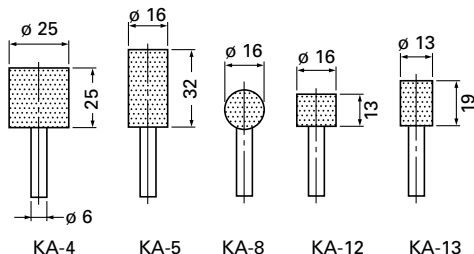
\*\* Ceci varie selon la région.

## ACCESSOIRES STANDARD

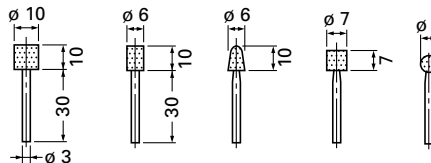
- (1) Clé (17 mm) ..... 1
  - (2) Clé (12 mm) ..... 1
  - (3) Poignée latérale  
(non incluse dans certaines régions) ..... 1
- Les accessoires standard sont sujets à changement sans préavis.

## ACCESSOIRES EN OPTION (vedus séparément)

- Mandrin à collet  
pour axe de 3mm  
pour axe de 3,175mm (1/8")  
pour axe de 6,35mm (1/4")  
pour axe de 8mm  
Les dimensions et les méthodes de manipulation, à l'exception du trou d'axe sont les mêmes que celles du mandrin à collet de 6mm.
- Meules munies d'axe de 6mm  
Toutes les meules comportent un grain WA, une granulométrie de 60, et de liaisons P et conviennent pour l'affûtage de matériaux d'acier généraux ou spéciaux.



- Meules munies d'axe de 3mm  
Toutes les meules comportent un grain WA, une granulométrie de 80 et de liaisons P et conviennent pour l'affûtage des matériaux généraux et spéciaux.



KA-20      KC-20      KC-22      KC-23      KC-24

- Batte-plate
  - Boîtier
- Les accessoires à option sont sujets à changement sans préavis.

## APPLICATIONS

- Finition des coussinets de filière pour les travaux de presse, les pièces moulées sous pression et le moulage.
- Finition des matrices à découper le filetage, les outils et les autres petites pièces.
- Meulage interne des outils et des pièces de machine.

## AVANT LA MISE EN MARCHÉ

- Source de puissance**  
S'assurer que la source de puissance à utiliser correspond à la puissance indiquée sur la plaque signalétique du produit.
- Interrupteur de puissance**  
S'assurer que l'interrupteur de puissance est en position ARRÊT. Si la fiche est branchée alors que l'interrupteur est sur MARCHÉ, l'outil démarre immédiatement et peut provoquer un grave accident.

### 3. Fil de rallonge

Lorsque la zone de travail est éloignée de la source de puissance, utiliser un fil de rallonge d'une épaisseur suffisante et d'une capacité nominale suffisante. Le fil de rallonge doit être aussi court que possible.

### 4. Installation d'une meule

Installer la meule de manière à ce que la longueur de  $\ell$  soit inférieure à 15mm. Si  $\ell$  est plus grand, des vibrations anormales se produiront, et la machine n'en sera pas seulement affectée, mais il y aura le risque d'un accident grave. Faire en sorte que  $\ell$  soit aussi petit que possible.

Lorsque  $d = 6\text{mm}$ ,  $6,35\text{mm}$  ( $1/4''$ ),  $8\text{mm}$ , le  $D$  de la meule doit être inférieur à  $25\text{mm}$ . Si l'on utilise une meule avec un  $D$  supérieur à  $25\text{mm}$ , la vitesse périphérique dépassera la limite de sécurité et la meule se brisera. Ne jamais utiliser une telle meule. La distance  $L$  varie pour  $D$ . Déterminer  $L$  en se reportant au tableau ci-dessous.

(Lorsque  $\ell = 15\text{ mm}$ )

d	3 mm, 3,175 mm (1/8")				6 mm, 6,35 mm (1/4")				8 mm
D	5 mm	6 mm	8 mm	10 mm	13 mm	16 mm	20 mm	25 mm	25 mm
L	10 mm	13 mm	16 mm	13 mm	40 mm	40 mm	25 mm	25 mm	32 mm

### 5. Utilisation de la poignée latérale (Fig. 3)

Veillez à utiliser la poignée latérale pour éviter les risques de choc électrique.

Fixez la poignée latérale sur la machine comme suit.

- (1) Desserrez la fixation de la poignée latérale et insérez cette dernière sur le bec de la machine à partir de la bride du manchon de la poignée latérale.
- (2) Mettez la poignée latérale dans une position adaptée à l'utilisation puis serrez à fond la fixation de la poignée latérale.

### (2) Dressage de la meule

Après la fixation d'une meule, corriger la déflexion du centre de la meule à l'aide d'une batte-plate (vendue séparément). Si le centre de la meule est décalé, on ne peut non seulement effectuer la finition mais encore les vibrations du meulage augmentent, diminuant d'autant la durée de la meule et la précision de l'affûtage.

Une meule usée ou piquée corrodera la surface de finition ou diminuera l'efficacité du meulage. Rectifier de temps à autres la meule à l'aide du redresseur.

## UTILISATION

### 1. Opération de commutation

- (1) Lorsque l'on pousse le levier de l'interrupteur vers la droite (côté ON), l'appareil est sous tension; lorsqu'on le pousse vers la gauche (côté OFF), l'appareil est hors tension.
- (2) Lorsque l'on utilise en premier l'interrupteur après avoir installé une nouvelle meule, éviter de s'approcher de la périphérie de rotation de la meule pour ne pas s'exposer à un danger quel conique dû à une éventuelle imperfection.
- (3) Avant le démarrage, tester la machine en dirigeant la meule vers une direction assurant toute sécurité.

### 2. Précautions d'utilisation

- (1) Presser légèrement la meule sur le matériau devant être affûté. Lors de l'affûtage, une rotation à vitesse élevée est nécessaire. Utiliser une affûtage manuel lors d'une rotation à vitesse élevée, minimisant ainsi la force de pression.

## METHODE DE SELECTION DE MEULE

Les types de meules varient selon les matériaux devant être affûtés. Sélectionner une meule appropriée aux matériaux.

Le tableau suivant est une description générale des meules et des matériaux devant être affûtés.

Matériaux devant être affûtés	Grain	Granulométrie	Degré de liaison	Strukture	Agent liant
Acier à faible teneur en carbone, acier à haute teneur en carbone, acier forgé	WA	60-80	P	m	V
Fonte	C	36	M-O	m	V
Cuivre, bronze, aluminium	C	36	J-K	m	V
Céramique	WA	60-80	M	m	V
Résine synthétique	C	36	K-M	m	V

Des meules de petites dimensions, avec axe, sont conçues pour le meulage des petites surfaces. Leurs dimensions et leurs formes sont décrites à la section "ACCESSOIRES EN OPTION".

Etant donné que le diamètre d'axe de meule est de 3mm, utiliser le mandrin à collet pour axe de 3mm vendue séparément par votre concessionnaire HIKOKI en tant qu'accessoire en option.

- (3) Utiliser la clé auxiliaire à six pans ou un petit tournevis pour remettre le bord du ressort contre la tête du balai en carbone.

**REMARQUE:**

Bien veiller à ce que l'extrémité du ressort ne soit pas prise dans la queue de cochon.

- (4) Fermer le couvercle arrière et serrer la vis taraudeuse D4.

**6. Liste des pièces de rechange**

**ATTENTION**

Les réparations, modifications et inspections des outils électriques HIKOKI doivent être confiées à un service après-vente HIKOKI agréé.

Il sera utile de présenter cette liste de pièces au service après-vente HIKOKI agréé lorsqu'on apporte un outil nécessitant des réparations ou tout autre entretien.

Lors de l'utilisation et de l'entretien d'un outil électrique, respecter les règlements et les normes de sécurité en vigueur dans le pays en question.

**MODIFICATIONS**

Les outils électriques HIKOKI sont constamment améliorés et modifiés afin d'incorporer les tous derniers progrès technologiques.

En conséquence, il est possible que certaines pièces soient modifiées sans avis préalable.

**ENTRETIEN ET CONTROLE**

**1. Inspection de la meule**

S'assurer que la meule ne comporte aucune fêlure et défaut de surface.

**2. Contrôle des vis de montage**

Vérifier régulièrement les vis de montage et s'assurer qu'elles sont correctement serrées. Resserrer immédiatement toute vis desserrée. Sinon, il y a danger sérieux.

**3. Entretien du moteur**

Le bobinage de l'ensemble moteur est le "cœur" même de l'outil électro-portatif. Veiller soigneusement à ce que ce bobinage ne soit pas endommagé et/ou mouillé par de l'huile ou de l'eau.

**4. Contrôle des balais en carbone (Fig. 4)**

Le moteur utilise des balais en carbone qui sont des pièces qui s'usent. Comme un balai en carbone trop usé peut détériorer le moteur, le remplacer par un nouveau du même No. que celui montré à la figure quand il est usé ou à la limite d'usure. En outre, toujours tenir les balais propres et veiller à ce qu'ils coulissent librement dans les supports.

**5. Remplacement d'un balai en carbone (Fig. 5)**

<Démontage>

- (1) Desserrer la vis taraudeuse D4 qui retient le couvercle arrière pour l'enlever.
- (2) Utiliser la clé auxiliaire à six pans ou un petit tournevis pour soulever le bord du ressort qui retient le balai en carbone. Retirer le bord du ressort vers l'extérieur du support du balai.
- (3) Enlever le bord du flexible du balai en carbone de la section du support de balai et retirer le balai en carbone de son support.

<Montage>

- (1) Insérer l'extrémité du flexible du balai en carbone dans la section finale du support du balai.
- (2) Insérer le balai en carbone dans son support.

**GARANTIE**

Nous garantissons que l'ensemble des Outils électriques HIKOKI sont conformes aux réglementations spécifiques statutaires/nationales. Cette garantie ne couvre pas les défauts ni les dommages inhérents à une mauvaise utilisation, une utilisation abusive ou l'usure et les dommages normaux. En cas de réclamation, veuillez envoyer l'Outil électrique, en l'état, accompagné du CERTIFICAT DE GARANTIE qui se trouve à la fin du Mode d'emploi, dans un service d'entretien autorisé.

**REMARQUE:**

Par suite du programme permanent de recherche et de développement HIKOKI, ces spécifications peuvent faire l'objet de modifications sans avis préalable.

---

---

## Au sujet du bruit et des vibrations

Les valeurs mesurées ont été déterminées en fonction de la norme EN60745 et déclarées conforme à ISO 4871.

Niveau de puissance sonore pondérée A: 94 dB (A)

Niveau de pression acoustique pondérée A: 83 dB (A)

Incertitude  $K_pA$ : 3 dB (A)

Porter des protections anti-bruit.

Valeurs totales des vibration (somme vectorielle triaxiale) déterminée conformément à EN60745.

Meulage de finition:

Valeur d'émission de vibration **ah, SG** = 2,6 m/s<sup>2</sup>

Incertitude K = 1,5 m/s<sup>2</sup>

---

---

## AVERTISSEMENT

- La valeur d'émission de vibration en fonctionnement de l'outil électrique peut être différente de la valeur déclarée, en fonction des utilisations de l'outil.
- Pour identifier les mesures de protection de l'utilisateur fondées sur une estimation de l'exposition en conditions d'utilisation (tenant compte de tous les aspects du cycle d'utilisation, tels que les moments où l'outil est mis hors tension ou lorsqu'il tourne à vide en plus des temps de déclenchements)



## AVVERTIMENTI GENERALI DI SICUREZZA SUGLI UTENSILI ELETTRICI

### ⚠ AVVERTENZA

**Leggere tutti gli avvertimenti di sicurezza e tutte le istruzioni.**

*La mancata osservanza degli avvertimenti e delle istruzioni potrebbe essere causa di scosse elettriche, incendi e/o gravi lesioni.*

**Salvare tutti gli avvertimenti e le istruzioni per riferimenti futuri.**

*Il termine "elettroutensili" riportato nelle avvertenze si riferisce agli elettroutensili azionati con alimentazione di rete (via cavi) o a batterie (senza cavi).*

#### 1) Sicurezza dell'area operativa

- Mantenere l'area operativa pulita e ordinata.**  
*Aree operative sporche o disordinate possono favorire gli infortuni.*
- Non utilizzare gli elettroutensili in atmosfere esplosive, ad es. in presenza di liquidi, gas o polveri infiammabili.**  
*Gli elettroutensili generano delle scintille che potrebbero accendere la polvere o i fumi.*
- Tenere lontani bambini e astanti durante l'utilizzo degli elettroutensili.**  
*Qualsiasi distrazione può essere causa di perdita di controllo.*

#### 2) Sicurezza elettrica

- Le spine degli elettroutensili devono essere idonee alle prese disponibili.**  
**Non modificare mai le prese.**  
**Con gli elettroutensili a massa (messi a terra), non utilizzare alcun adattatore.**  
*L'utilizzo di spine intatte e corrispondenti alle prese disponibili ridurrà il rischio di scosse elettriche.*
- Evitare qualsiasi contatto con le superfici a massa o a terra, quali tubi, radiatori, fornelli e frigoriferi.**  
*In caso di messa a terra o massa del corpo, sussiste un maggior rischio di scosse elettriche.*
- Non esporre gli elettroutensili alla pioggia o all'umidità.**  
*La penetrazione di acqua negli elettroutensili aumenterà il rischio di scosse elettriche.*
- Non tirare il cavo. Non utilizzarlo per il trasporto, o per tirare o scollegare l'elettroutensile.**  
**Tenere il cavo lontano da fonti di calore, oli, bordi appuntiti o parti in movimento.**  
*Cavi danneggiati o attorcigliati possono aumentare il rischio di scosse elettriche.*
- Durante l'uso degli elettroutensili all'esterno, utilizzare una prolunga idonea per usi esterni.**  
*L'utilizzo di cavi per esterno riduce il rischio di scosse elettriche.*
- Se è impossibile evitare l'impiego di un utensile elettrico in un luogo umido, utilizzare l'alimentazione protetta da un dispositivo a corrente residua (RCD).**  
*L'uso di un RCD riduce il rischio di scosse elettriche.*

#### 3) Sicurezza personale

- Durante l'uso degli elettroutensili, state all'erta, verificate ciò che state eseguendo e adottate sempre il buon senso.**  
**Non utilizzate gli elettroutensili qualora siate stanchi, sotto l'influenza di farmaci, alcol o cure mediche.**  
*Anche un attimo di disattenzione durante l'uso degli elettroutensili potrebbe essere causa di gravi lesioni personali.*

- Indossate l'attrezzatura di protezione personale. Indossate sempre le protezioni oculari.**  
*L'attrezzatura protettiva, quali maschera facciale, calzature antiscivolo, caschi o protezioni oculari ridurrà il rischio di lesioni personali.*
  - Impedite le accensioni involontarie. Prima del collegamento a una sorgente di alimentazione e/o pacco batteria e prima di raccogliere o trasportare l'utensile, verificate che l'interruttore sia posizionato su OFF.**  
*Il trasporto degli elettroutensili tenendo le dita sull'interruttore o l'attivazione elettrica degli utensile che hanno l'interruttore su ON, implica il rischio di incidenti.*
  - Prima di attivare l'elettroutensile, rimuovete qualsiasi chiave di regolazione.**  
*Lasciando la chiave in un componente in rotazione dell'elettroutensile, sussiste il rischio di lesioni personali.*
  - Mantenersi in equilibrio. Mantenersi sempre su due piedi, in equilibrio stabile.**  
*Ciò consente di controllare al meglio l'elettroutensile in caso di situazioni impreviste.*
  - Vestirsi in modo adeguato. Non indossare abiti larghi o gioielli. Tenere i capelli, gli abiti e i guanti lontani dalle parti in movimento.**  
*Abiti allentati, gioielli e capelli lunghi potrebbero impigliarsi nelle parti in movimento.*
  - In caso di dispositivi provvisti di collegamento ad apparecchiature di rimozione e raccolta polveri, verificare che queste siano collegate e utilizzate in modo adeguato.**  
*L'utilizzo della raccolta della polvere può ridurre i rischi connessi alle polveri.*
- #### 4) Utilizzo e manutenzione degli elettroutensili
- Non utilizzare elettroutensili non idonei. Utilizzare l'elettroutensile idoneo alla propria applicazione.**  
*Utilizzando l'elettroutensile corretto, si garantirà un'esecuzione migliore e più sicura del lavoro, alla velocità di progetto.*
  - Non utilizzare l'elettroutensile qualora non sia possibile accenderlo/spengerlo tramite l'interruttore.**  
*È pericoloso utilizzare elettroutensili che non possano essere azionati dall'interruttore. Provvedere alla relativa riparazione.*
  - Prima di effettuare qualsiasi regolazione, sostituire gli accessori o depositare gli elettroutensili, scollegare la spina dalla presa elettrica e/o il pacco batteria dall'utensile elettrico.**  
*Queste misure di sicurezza preventive riducono il rischio di avvio involontario dell'elettroutensile.*
  - Depositare gli elettroutensili non utilizzati lontano dalla portata dei bambini ed evitare che persone non esperte di elettroutensili o non a conoscenza di quanto riportato sulle presenti istruzioni azionino l'elettroutensile.**  
*È pericoloso consentire che utenti non esperti utilizzino gli elettroutensili.*
  - Manutenzione degli elettroutensili. Verificare che non vi siano componenti in movimento disallineati o bloccati, componenti rotti o altre condizioni che potrebbero influenzare negativamente il funzionamento dell'elettroutensile.**  
**In caso di guasti, provvedere alla riparazione dell'elettroutensile prima di riutilizzarlo.**  
*Molti incidenti sono causati da una scarsa manutenzione.*

f) **Mantenere gli strumenti di taglio affilati e puliti.**  
*Gli strumenti di taglio in condizioni di manutenzione adeguata, con bordi affilati, sono meno soggetti al bloccaggio e sono più facilmente controllabili.*

g) **Utilizzare l'elettrotensile, gli accessori, le barrette, ecc. in conformità a quanto riportato nelle presenti istruzioni, tenendo in debita considerazione le condizioni operative e il tipo di lavoro da eseguire.**

*L'uso dell'utensile elettrico per operazioni diverse da quelle previste potrebbe causare una situazione pericolosa.*

## 5) Assistenza

a) **Affidate le riparazioni dell'elettrotensile a persone qualificate che utilizzino solamente parti di ricambio identiche.**

*Ciò garantirà il mantenimento della sicurezza dell'elettrotensile.*

## PRECAUZIONI

Tenere lontano dalla portata di bambini e invalidi. Quando non utilizzati, gli strumenti dovranno essere depositati lontano dalla portata di bambini e invalidi.

## AVVERTIMENTI DI SICUREZZA COMUNI PER LE OPERAZIONI DI SMERIGLIATURA

a) **Questo utensile elettrico ha lo scopo di funzionare come smerigliatrice. Leggere tutti gli avvertimenti di sicurezza, istruzioni e specifiche in dotazione con il presente utensile elettrico.**

*La mancata osservanza di tutte le istruzioni elencate di seguito può risultare in scosse elettriche, incendio e/o lesioni gravi.*

b) **L'esecuzione di operazioni come la sabbatura, la spazzolatura metallica, la lucidatura o il taglio non è consigliabile con questo utensile elettrico.**

*Le operazioni per le quali l'utensile elettrico non è stato progettato possono creare un pericolo e causare lesioni personali.*

c) **Non utilizzate accessori che non siano specificamente progettati e raccomandati dal produttore dell'utensile.**

*Il solo fatto che l'accessorio possa essere fissato all'utensile elettrico non significa che ne garantisca un funzionamento sicuro.*

d) **La velocità nominale dell'accessorio deve essere almeno uguale alla velocità massima contrassegnata sull'utensile elettrico.**

*Gli accessori utilizzati ad una velocità superiore a quella nominale si possono rompere e sgretolarsi in volo.*

e) **Il diametro esterno e lo spessore del vostro accessorio deve rientrare entro la capacità nominale dell'utensile elettrico.**

*Gli accessori dalle dimensioni errate non possono essere adeguatamente protetti o controllati.*

f) **La dimensione del mandrino di mole, flangie, platorelli di supporto o di qualsiasi altro accessorio deve corrispondere esattamente all'asse dell'utensile elettrico.**

*Gli accessori con i fori del mandrino che non corrispondono alla struttura di montaggio dell'utensile elettrico esauriranno l'equilibrio, vibreranno eccessivamente e potrebbero causare la perdita del controllo.*

g) **Non usate accessori danneggiati. Prima di ciascun utilizzo, ispezionate l'accessorio come le mole abrasive per controllare la presenza di schegge e crepe, la presenza di crepe, lacerazioni o eccessiva usura nel platorello di supporto, la presenza di cavi allentati o incrinati nella spazzola di metallo. Se l'utensile elettrico o l'accessorio viene fatto cadere, esaminare la presenza di eventuali danni o installare un accessorio non danneggiato. Dopo aver ispezionato e installato un accessorio, posizionate voi stessi e gli eventuali passanti lontano dal piano dell'accessorio rotante e utilizzate l'utensile elettrico alla velocità a vuoto massima per un minuto.**

*Gli accessori danneggiati normalmente si sgretoleranno durante questo periodo di prova.*

h) **Indossate apparecchiature di protezione personale. A seconda dell'applicazione, utilizzate una visiera e occhiali di sicurezza. A seconda delle necessità, indossate una maschera per la polvere, protezioni per l'udito, guanti e un grembiule in grado di fermare frammenti abrasivi o di lavorazione.**

*La protezione oculare deve essere in grado di fermare i detriti volanti generati dalle varie operazioni. La maschera per la polvere o il respiratore deve essere in grado di filtrare le particelle generate dall'operazione. L'esposizione prolungata al rumore di elevata intensità può causare la perdita dell'udito.*

i) **Tenete i passanti a distanza di sicurezza dalla zona di lavoro. Chiunque entra nella zona di lavoro deve indossare apparecchiature di protezione personale.**

*I frammenti del pezzo da lavorare o di un accessorio rotto possono volare via e causare lesioni al di là dell'immediata zona di lavorazione.*

j) **Tenete l'utensile elettrico solo per le superfici di afferraggio isolate, quando eseguite un'operazione dove l'accessorio di taglio può entrare a contatto con del cablaggio nascosto o con il proprio cavo.**

*L'accessorio di taglio, a contatto con un cavo sotto tensione, può mettere sotto tensione le parti metalliche esposte dell'utensile elettrico e dare una scossa all'operatore.*

k) **Posizionate il cavo lontano dall'accessorio rotante. Se perdetevi il controllo, il cavo potrebbe essere tagliato o impigliato e potrebbe tirare la vostra mano o il vostro braccio nell'accessorio rotante.**

l) **Non posate mai l'utensile elettrico finché l'accessorio non si è completamente arrestato.**

*L'accessorio rotante potrebbe afferrare la superficie e farvi perdere il controllo dell'utensile elettrico.*

m) **Non utilizzate l'utensile elettrico mentre lo state trasportando al vostro fianco.**

*Il contatto accidentale con l'accessorio rotante potrebbe impigliare i vostri indumenti, tirando l'accessorio verso il vostro corpo.*

n) **Pulite regolarmente le ventole d'aria dell'utensile elettrico.**

*La ventola del motore attirerà la polvere all'interno dell'alloggiamento e l'accumulo eccessivo di metallo polverizzato potrebbe causare pericoli elettrici.*

o) **Non utilizzate l'utensile elettrico vicino ai materiali infiammabili.**

*Le scintille potrebbero far prendere fuoco a tali materiali.*

**p) Non utilizzate accessori che richiedono refrigeranti liquidi.**

*L'utilizzo di acqua o altri refrigeranti liquidi potrebbe causare elettrocuzione o scosse elettriche.*

## **RINCULO E AVVERTIMENTI CORELATI**

*Il rinculo è una reazione improvvisa provocata da una mola rotante, platorello di supporto, spazzola o altro accessorio pinzati o impigliati. Ciò causa un rapido arresto dell'accessorio rotante che a sua volta provoca la perdita di controllo dell'utensile elettrico, costringendolo ad andare nella direzione opposta della rotazione dell'accessorio al punto di attacco.*

*Per esempio, se una mola abrasiva viene impigliata o pinzata dal pezzo della lavorazione, l'estremità della mola che entra nel punto di pinzaggio può scavare nella superficie del materiale causando lo spostamento o rinculo della mola. La mola può saltare verso l'operatore o via da esso, a seconda della direzione del movimento della mola al punto di pinzaggio. E' inoltre possibile che le mole abrasive si spezzino in queste condizioni.*

*Il rinculo è il risultato di un utilizzo erraneo dell'utensile elettrico e/o di procedure o condizioni di utilizzo erranee e può essere evitato prendendo i necessari provvedimenti elencati di seguito.*

**a) Manteneate una presa ferma sull'utensile elettrico e posizionate il vostro corpo e braccio in modo da permettervi di resistere alle forze del rinculo. Utilizzate sempre la maniglia ausiliaria, per il massimo controllo sul rinculo o la reazione di coppia durante l'avviamento.**

*L'operatore è in grado di controllare le reazioni di coppia o le forze del rinculo se vengono prese le adeguate precauzioni.*

**b) Non posizionate mai la vostra mano vicino all'accessorio rotante.**

*L'accessorio potrebbe avere una reazione di rinculo sulla vostra mano.*

**c) Non posizionate il vostro corpo nella zona dove si sposterà l'utensile se si verifica il rinculo.**

*Il rinculo spingerà l'utensile nella direzione opposta al movimento della mola al punto di impigliamento.*

**d) Fate particolare attenzione quando lavorate angoli, estremità appuntite, ecc. Evitate di far saltare e impigliare l'accessorio.**

*Gli angoli, le estremità appuntite o gli sbalottamenti hanno una tendenza a far impigliare l'accessorio rotante e causare la perdita del controllo o rinculo.*

**e) Non fissate una lama da moto sega per intagliare il legno o una lama di sega dentata.**

*Tali lame creano rinculo e perdita del controllo frequenti.*

**b) Le mole devono essere utilizzate solo per le applicazioni raccomandate. Per esempio: non smerigliate con il lato della mola di taglio.**

*Le mole di taglio abrasive servono per la smerigliatura periferica, le forze laterali applicate a tali mole possono causarne la rottura.*

**c) Utilizzate sempre flangie di mole non danneggiate che siano delle dimensioni e forma corrette per la mola selezionata.**

*Le flangie delle mole corrette supportano la mola riducendo la possibilità di rottura della mola. Le flangie per le mole di taglio possono differire da quelle delle mole di smerigliatura.*

**d) Non utilizzate mole usurate da utensili elettrici più grossi.**

*Le mole per utensili elettrici di maggiori dimensioni non sono adatte per la velocità superiore di un utensile più piccolo e potrebbero scoppiare.*

## **ISTRUZIONI DI SICUREZZA GENERALI PER SMERIGLIATRICI**

- Verificare che la velocità riportata sulla mola sia pari o superiore alla velocità nominale della smerigliatrice.
- Verificare che le dimensioni della mola siano compatibili con la smerigliatrice;
- Le mole devono essere immagazzinate e maneggiate con attenzione, secondo le istruzioni del produttore.
- Ispezionare la mola prima dell'utilizzo; evitare l'utilizzo di prodotti scheggiati, rotti o comunque danneggiati.
- Verificare che le mole e le punte montate siano installate secondo le istruzioni del produttore.
- Utilizzare i tamponi se questi vengono forniti con il prodotto abrasivo incollato, e quando sono richiesti.
- Verificare che il prodotto abrasivo sia montato e fissato correttamente prima dell'uso; far funzionare l'attrezzo a vuoto per 30 sec. In posizione sicura, arrestandolo immediatamente in caso di forti vibrazioni o altre anomalie. Se si verifica tale condizione, controllare la macchina per determinarne la causa.
- Se l'attrezzo viene fornito con una protezione, evitare di utilizzarlo senza tale protezione;
- Evitare l'utilizzo di boccole di riduzione o adattatori separati per adattare mole con fori più grandi;
- Nel caso di attrezzi da utilizzare con mole a foro filettato, verificare che la filettatura della mola sia lunga a sufficienza da accettare la lunghezza dell'albero;
- Verificare che il pezzo di lavoro sia adeguatamente sostenuto;
- Non utilizzare mole da taglio per smerigliare lateralmente;
- Evitare che le scintille create dalla lavorazione causino rischi, vale a dire che colpiscano persone o possano accendere sostanze infiammabili.
- Verificare che le aperture di ventilazione siano mantenute libere, quando si lavora in ambienti polverosi; se fosse necessario eliminare la polvere, scollegare prima l'attrezzo dall'alimentazione elettrica (utilizzare oggetti non metallici), evitando di danneggiare l'interno dell'attrezzo.

## **AVVERTIMENTI DI SICUREZZA SPECIFICI PER LE OPERAZIONI DI SMERIGLIATURA**

**a) Usate solo tipi di mole consigliati per il vostro utensile elettrico e per lo specifico carter progettato per la mola selezionata.**

*Le mole per le quali l'utensile elettrico non è stato progettato non possono essere adeguatamente protette e non sono sicure.*

- Indossare sempre protezioni per occhi e orecchie. Indossare altri dispositivi di protezione personale, quali maschera antipolvere, guanti, casco e grembiule.
- Prestare attenzione alla mola, che continua a ruotare dopo lo spegnimento dell'attrezzo.

**CARATTERISTICHE**

Voltaggio (per zona)*	(110V, 120V, 127V, 220V, 230V, 240V) ~
Potenza assorbita*	520 W
Velocità senza carico*	29000 min <sup>-1</sup>
Diametro max. ruota*	25 mm
Capacità bussola di chiusura**	6 mm
Peso (escluso il cavo)	1,7 kg

\* Accertatevi di aver controllato bene la piastrina perché essa varia da zona a zona.

\*\* Varia a seconda della zona.

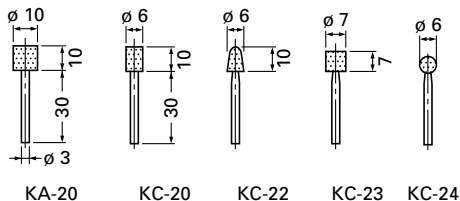
**ACCESSORI STANDARD**

- (1) Chiave (17 mm) ..... 1
  - (2) Chiave (12 mm) ..... 1
  - (3) Maniglia laterale (non compresa dalle Zone) ..... 1
- Gli accessori standard possono essere soggetti a cambiamento senza preavviso.

**ACCESSORI DISPONIBILI A RICHIESTA (veduti separatamente)**

- Bussola di chiusura per albero 3mm per albero 3,175mm per albero 6,35mm per albero 8mm  
Le dimensioni ed il modo d'uso sono uguali a quelli per la bussola di chiusura di 6mm, eccetto per quanto riguarda il foro dell'albero.
- Ruota con albero di 6mm  
Tutte le ruote sono dotate di grana WA, 60 granding e legante P, e sono adatte per la smerigliatura di acciaio normale e speciale.

- Ruote con albero di 3mm  
Tutte le ruote sono dotate di grana WA, 80 granding e legante P, e sono adatte per la smerigliatura di acciaio normale e speciale.



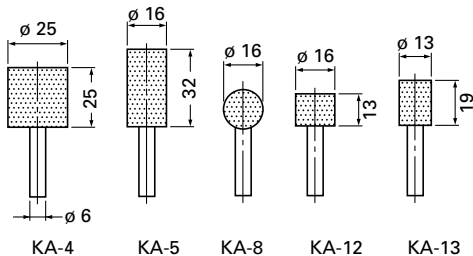
- Ravnivivamole
  - Custodia
- Gli accessori disponibili a richiesta sono soggetti a modifica senza preavviso.

**APPLICAZIONE**

- Rifinitura di stampi per lavorazione con presse, pezzi pressofusi e matrici.
- Rifinitura di stampi filettatori, attrezzi e altre piccole parti.
- Smerigliatura interna di attrezzi e parti di macchine.

**PRIMA DELL'USO**

- 1. Alimentazione**  
Assicurarsi che la rete di alimentazione che si vuole usare sia compatibile con le caratteristiche relative all'alimentazione di corrente specificate nella piastrina dell'apparecchio.
- 2. Interruttore di corrente**  
Mettere l'interruttore in posizione SPENTO. Se la spina è infilata in una presa mentre l'interruttore è acceso, l'utensile elettrico si mette immediatamente in moto, facilitando il verificarsi di incidenti gravi.



**3. Prolunga del cavo**

Quando l'ambiente di lavoro è lontano da una presa di corrente, usare una prolunga del cavo di sufficiente spessore e di prestazione adeguata. La prolunga deve essere più corta possibile.

**4. Montaggio della ruota**

Montare la ruota in modo che la lunghezza  $\ell$  sia minore di 15mm. Se fosse più lunga, si provocherebbero delle vibrazioni anormali. Ciò non solo rovinerebbe la macchina, ma potrebbe anche causare seri incidenti. Fare in modo che la lunghezza  $\ell$  sia più corta possibile.

Se  $d = 6\text{mm}$ ,  $6,35\text{mm}$ ,  $8\text{mm}$ ,  $D$  deve essere minore di  $25\text{mm}$ . Se si usa una ruota con  $D$  maggiore di  $25\text{mm}$ , la velocità sulla circonferenza eccede i limiti di sicurezza e la ruota si romperebbe.

Non usare mai ruote del genere.

La distanza  $L$  dipende da  $D$ . Scegliere  $L$  sulla base della tabella sottostante.

Se  $d = 3\text{mm}$ ,  $3,175\text{mm}$ ,  $D$  deve essere minore di  $10\text{mm}$ . Scegliere  $L$  sulla base della tabella sottostante.

Le ruote vanno montate e smontate usando semplicemente due chiavi (Fig. 2).

**NOTA:**

- Non serrare la bussola di chiusura inserendo un albero di un diametro minore di quello standard (6mm). Ciò danneggerebbe la bussola di chiusura.
- Montando una ruota con albero, serrare la bussola di chiusura dopo aver applicato una piccola quantità di olio di macchina sulla parte a cono indicata in Fig. 1.

(Con  $\ell = 15\text{ mm}$ )

d	3 mm, 3,175 mm (1/8")				6 mm, 6,35 mm (1/4")				8 mm
D	5 mm	6 mm	8 mm	10 mm	13 mm	16 mm	20 mm	25 mm	25 mm
L	10 mm	13 mm	16 mm	13 mm	40 mm	40 mm	25 mm	25 mm	32 mm

**5. Utilizzo della maniglia laterale (Fig. 3)**

Assicurarsi di utilizzare la maniglia laterale per evitare il rischio di scosse elettriche gravi.

Fissare la maniglia laterale alla macchina come di seguito.

- (1) Allentare l'impugnatura della maniglia laterale e inserire la maniglia laterale alla parte della staffa del naso della macchina dalla parte della flangia del manicotto della maniglia laterale.
- (2) Impostare la maniglia laterale in una posizione adatta al funzionamento e quindi serrare bene l'impugnatura della maniglia laterale.

**OPERAZIONE****1. Accensione e spegnimento**

- (1) Per accendere l'attrezzo, spostare l'interruttore a leva verso destra (lato ON). Per spegnerlo, spostare l'interruttore a leva verso sinistra (lato OFF).
- (2) Quando si accende l'attrezzo dopo aver montato la ruota, tenere la ruota in movimento sufficientemente lontana dal corpo, per evitare danni dovuti a possibili imperfezioni.
- (3) Prima di iniziare a lavorare, provare l'attrezzo indirizzando la ruota in una direzione dove non è pericoloso.

**2. Precauzioni**

- (1) Premere la ruota leggermente contro il materiale da lavorare. Per smerigliare, la velocità di rotazione deve essere elevata. Usare una smerigliatrice a mano ad alta velocità, ed esercitare una pressione minima.

**(2) Rinvivimento della ruota**

Dopo aver montato la ruota, correggerne la deflessione facendo uso di un rinvivimole (venduti separatamente).

Se la ruota è scenterata, non si può ottenere una rifinitura e le vibrazioni aumentano, diminuendo la precisione e durata dell'attrezzo.

Una ruota intasata o consumata sporca la rifinitura della superficie e diminuisce l'efficienza della smerigliatrice. Di tanto in tanto rinvivare la ruota con il rinvivimole.

**SCELTA DELLA RUOTA**

I tipi di ruote variano a seconda del materiale da smerigliare. Selezionare la ruota più adatta tenendo conto del materiale da lavorare.

La tabella seguente rappresenta le possibili combinazioni di ruote e materiali da lavorare.

Materiale da lavorare	Grana	Grinding	Grado di legatura	Struttura	Legante
Acciaio dolce, duro e forgiato	WA	60-80	P	m	V
Ghisa	C	36	M-O	m	V
Ottone, bronzo, alluminio	C	36	J-K	m	V
Ceramica	WA	60-80	M	m	V
Resina sintetica	C	36	K-M	m	V

Per la smerigliatura di piccole superfici, sono disponibili ruote più piccole. Le loro dimensioni e forme sono elencate nel paragrafo "ACCESSORI DISPONIBILI A RICHIESTA".

Siccome il diametro dell'albero è di 3mm, usare la bussola di chiusura per un albero di 3mm, venduto separatamente presso il Vostro rivenditore HiKOKI.

## MANUTENZIONE E CONTROLLO

### 1. Controllo della ruota

Controllare che la ruota non presenti nessuna crepa o altri difetti sulla superficie.

### 2. Controllo delle viti di tenuta

Controllare regolarmente tutte le viti di tenuta e assicurarsi che siano esclusivamente serrate. Nel caso che una di queste viti dovesse allentarsi riserrarla immediatamente. Se si non ottiene di farlo, si può causare un grave incidente.

### 3. Manutenzione del motore

L'avvolgimento del motore il vero e proprio "cuore" degli attrezzi elettrici. Fare attenzione a non danneggiare l'avvolgimento e/o non bagnarlo con olio o acqua.

### 4. Controllo delle spazzole di carbone (Fig. 4)

Il motore impiega spazzole di carbone che sono materiali di consumo. Poichè una spazzola di carbone troppo larga può creare fastidi al motore, sostituire la spazzola con una dello stesso numero indicato nella figura quando essa è logora fino al limite del regolamento e quasi.

Tenere inoltre sempre pulite le spazzole di carbone e fare in modo che esse scorrano liberamente nell'interno del portaspazzola.

### 5. Sostituzione di una spazzola di carbone (Fig. 5)

<Disassemblaggio>

- (1) Allentare le viti auto filettanti D4 che chiude il coperchio posteriore e togliere il coperchio.
- (2) Usare la chiave maschia esagonale ausiliaria o un piccolo cacciavite per tirare in fuori l'estremità della molla che è tenuta ferma della spazzola di carbone. Rimuovere l'estremità della molla verso il fuori del contenitore della spazzola.
- (3) Rimuovere l'estremità delle treccia sulla spazzola a carbone dalla sezione terminale del contenitore della spazzola e quindi rmuovere la spazzola a carbone dal contenitore della spazzola.

<Assemblaggio>

- (1) Inserire l'estremità della treccia della spazzola a carbone nella sezione terminale del contenitore della spazzola.
- (2) Inserire la spazzola carbone nel suo contenitore.
- (3) Usare una chiave maschia esagonale ausiliaria o un piccolo cacciavite per fare ritornare l'estremità della molla della spazzola a carbone.

#### NOTA:

Accertarsi che l'estremità della molla non abbia afferrato il filo connettore a spirale.

- (4) Chiudere il coperchio posteriore e stringere le viti auto filettanti.

### 6. Lista dei pezzi di ricambio

#### CAUTELA

Riparazioni, modifiche e ispezioni di utensili elettrici HiKOKI devono essere eseguite da un centro assistenza HiKOKI autorizzato.

Questa lista dei pezzi torna utile se viene presentata con l'utensile al centro assistenza HiKOKI autorizzato quando si richiedono riparazioni o altri interventi di manutenzione.

Nell'uso e nella manutenzione degli utensili elettrici devono essere osservate le normative di sicurezza e i criteri prescritti in ciascun paese.

#### MODIFICHE

Gli utensili elettrici HiKOKI vengono continuamente migliorati e modificati per includere le più recenti innovazioni tecnologiche.

Di conseguenza, alcuni pezzi possono essere modificati senza preavviso.

#### GARANZIA

Garantiamo gli Utensili Elettrici HiKOKI in conformità alle specifiche normative imposte dalla legge e dai paesi. Questa garanzia non copre difetti o danni dovuti a uso erroneo, abuso o normale usura. In caso di lamentele, si prega di inviare l'Utensile Elettrico, non smontato, insieme al CERTIFICATO DI GARANZIA che si trova al termine di queste Istruzioni per l'uso, ad un Centro di Assistenza Autorizzato HiKOKI.

#### NOTA:

A causa del continuo programma di ricerca e sviluppo della HiKOKI, le caratteristiche riportate in questo foglio sono soggette a cambiamenti senza preventiva comunicazione.

#### Informazioni riguardanti i rumori trasmessi dall'aria e le vibrazioni

I valori misurati sono stati determinati in conformità a EN60745 e descritti in conformità alla normativa ISO 4871.

Livello misurato di potenza sonora pesato A: 94 dB (A)  
Livello misurato di pressione sonora pesato A: 83 dB (A)  
KpA incertezza: 3 dB (A)

Indossare i dispositivi di protezione acustica.

Valori totali di vibrazione (somma vettori triass.) determinati secondo la norma EN60745.

Smerigliatura di superficie:

Valore di emissione vibrazioni **ah, SG** = 2,6 m/s<sup>2</sup>

Incertezza K = 1,5 m/s<sup>2</sup>

#### AVVERTENZA

- Il valore di emissione vibrazioni durante l'uso effettivo dell'utensile può essere diverso dal valore dichiarato in base alle modalità di utilizzo dell'utensile stesso.
- Per individuare le misure di sicurezza per la protezione dell'operatore basate su stima dell'esposizione nelle effettive condizioni di utilizzo (prendendo in considerazione tutte le parti del ciclo di funzionamento come i tempi in cui l'utensile resta spento e quando funziona senza essere utilizzato in aggiunta al tempo di avvio).

## ALGEMENE VEILIGHEIDSWAARSCHUWINGEN VOOR ELEKTRISCH GEREEDSCHAP

### ⚠ WAARSCHUWING

Lees alle waarschuwingen en instructies aandachtig door. Nalating om de waarschuwingen en instructies op te volgen kan in een elektrische schok, brand en/of ernstig letsel resulteren.

Bewaar alle waarschuwingen en aanwijzingen voor eventuele naslag in de toekomst.

De term "elektrisch gereedschap" heeft zowel betrekking op elektrisch gereedschap dat via de netvoeding van stroom wordt voorzien als gereedschap dat via een accu (snoerloos) van stroom wordt voorzien.

#### 1) Veiligheid van de werkplek

- Zorg voor een schone en goed verlichte werkplek.**  
*Een rommelige of donkere werkplek verhoogt de kans op ongelukken.*
- Gebruik het elektrisch gereedschap niet in een omgeving met ontplofbare vloeistoffen, gassen of stof.**  
*Elektrisch gereedschap kan vonken afgeven. Deze vonkjes kunnen stofdeeltjes of gassen doen ontbranden.*
- Houd kinderen en andere toeschouwers tijdens het gebruik van elektrische gereedschap uit de buurt.**  
*Afleidingen kunnen gevaarlijk zijn.*

#### 2) Elektrische veiligheid

- De stekker op het elektrische gereedschap moet geschikt zijn voor aansluiting op de wandcontactdoos.**  
De stekker mag op geen enkele manier gemodificeerd worden. Gebruik geen verloopstekker met geaard elektrisch gereedschap.  
*Deugdelijke stekkers en geschikte wandcontactdozen verminderen het risico op een elektrische schok.*
- Vermijd lichamelijk contact met geaarde oppervlakken zoals leidingen, radiatoren, fornuizen en oorkasten.**  
*Wanneer uw lichaam in contact staat met geaarde oppervlakken loopt u een groter risico op een elektrische schok.*
- Stel het elektrisch gereedschap niet bloot aan regen of vochtige omstandigheden.**  
*Het risico op een elektrische schok wordt verhoogd wanneer er water in het elektrisch gereedschap terechtkomt.*
- Behandel het snoer voorzichtig. Draag het gereedschap nooit door dit bij het snoer vast te houden. Trek niet aan het snoer wanneer u de stekker uit het stopcontact wilt halen.**  
*Houd het snoer uit de buurt van warmtebronnen, olie, scherpe randen of bewegende onderdelen.*  
*Een beschadigd of verward snoer verhoogt het risico op een elektrische schok.*
- Gebruik buitenshuis een verlengsnoer dat specifiek geschikt is voor het gebruik buiten.**  
*Het gebruik van een snoer dat specifiek geschikt is voor gebruik buitenshuis vermindert het risico op een elektrische schok.*
- Als het elektrisch gereedschap in een vochtige omgeving gebruikt moet worden, dient een voeding met RCD (reststroom-apparaat) beveiliging te worden gebruikt.**  
*Gebruik van een RCD vermindert de kans op een elektrische schok.*

#### 3) Persoonlijke veiligheid

- Blijf waakzaam, let voortdurend op uw werk en gebruik uw gezond verstand wanneer u elektrisch gereedschap gebruikt.**

Gebruik geen elektrisch gereedschap wanneer u moe bent of onder invloed van drugs, alcohol of medicijnen. *Eén moment van onoplettendheid kan in ernstig lichamelijk letsel resulteren.*

- Gebruik persoonlijke beschermingsmiddelen. Draag altijd oogbescherming.**  
*Beschermingsmiddelen zoals stofmaskers, niet-glijdende veiligheidsschoenen, een helm of oorbescherming vermindert het risico op lichamelijk letsel.*
  - Vorkom dat het gereedschap per ongeluk kan starten. Controleer of de schakelaar in de uit-stand staat voordat u de voeding en/of de accu aansluit, het gereedschap oppakt of gaat dragen.**  
*Zorg ervoor dat u tijdens het verplaatsen van het elektrisch gereedschap uw vingers uit de buurt van de schakelaar houdt en sluit de stroombron niet aan terwijl de schakelaar op aan staat om ongelukken te vermijden.*
  - Verwijder sleutels en moersleutels uit het gereedschap voordat u het elektrisch gereedschap aanzet.**  
*Een (moer-)sleutel die op een bewegend onderdeel van het elektrisch gereedschap bevestigd is kan in lichamelijk letsel resulteren.*
  - Reik niet te ver. Zorg ervoor dat u te allen tijde stevig staat en uw evenwicht behoudt.**  
*Op deze manier heeft u tijdens een onverwachte situatie meer controle over het elektrisch gereedschap.*
  - Draag geen loszittende kleding of sieraden. Houd uw haar, kleding en handschoenen uit de buurt van bewegende onderdelen.**  
*Loszittende kleding, sieraden en lang haar kunnen in de bewegende onderdelen verstrikt raken.*
  - Indien het elektrisch gereedschap van een aansluiting voor stofafzuiging is voorzien dan dient u ervoor te zorgen dat de stofafzuiging aangesloten en op de juiste manier gebruikt wordt.**  
*Het gebruik van stofafzuiging vermindert eventuele stofgerelateerde risico's.*
- 4) **Bediening en onderhoud van elektrisch gereedschap**
- Het elektrisch gereedschap mag niet geforceerd worden. Gebruik het juiste gereedschap voor het karwei.**  
*U kunt de klus beter en veiliger uitvoeren wanneer u het juiste elektrische gereedschap gebruikt.*
  - Gebruik het elektrisch gereedschap niet als de schakelaar niet goed werkt.**  
*Elektrisch gereedschap dat niet via de schakelaar bediend kan worden is gevaarlijk en moet onmiddellijk gerepareerd worden.*
  - Haal de stekker uit het stopcontact voordat u de voeding en/of de accu van het elektrisch gereedschap losmaakt, afstellingen verricht, accessoires verwisselt of voordat u het elektrisch gereedschap opbergt.**  
*Dergelijke preventieve veiligheidsmaatregelen verminderen het risico dat het elektrisch gereedschap per ongeluk opstart.*
  - Berg elektrisch gereedschap buiten het bereik van kinderen op en sta niet toe dat personen die niet bekend zijn met het juiste gebruik van het gereedschap of deze voorschriften dit elektrisch gereedschap gebruiken.**  
*Elektrisch gereedschap is gevaarlijk in onbevoegde handen.*
  - Het elektrisch gereedschap moet regelmatig onderhouden worden. Controleer het gereedschap op een foutieve uitlijning, vastgelopen of defecte bewegende onderdelen en andere problemen die van invloed zijn op de juiste werking van het gereedschap.**

Indien het gereedschap defect of beschadigd is moet het gerepareerd worden voordat u het gereedschap opnieuw gebruikt.

*Slecht onderhouden elektrisch gereedschap is verantwoordelijk voor een groot aantal doe-het-zelf ongelukken.*

- f) Houd snijwerktuigen scherp en schoon.  
*Goed onderhouden snijwerktuigen met scherpe snijranden lopen minder snel vast en zijn gemakkelijker in het gebruik.*
- g) Elektrisch gereedschap, toebehoren, bits enz. moeten in overeenstemming met deze instructies worden gebruikt waarbij de werkomstandigheden en het werk in overweging moeten worden genomen.  
*Gebruik van het elektrisch gereedschap voor andere doeleinden dan waarvoor het is bedoelt, kan resulteren in een gevaarlijke situatie.*

## 5) Onderhoudsbeurt

- a) Het gereedschap mag uitsluitend door bevoegd onderhoudspersoneel worden onderhouden die authenticiteit onderdelen gebruikt.  
*Hierdoor kunt u erop aan dat de veiligheid van het elektrisch gereedschap behouden blijft.*

## VOORZORGMATREGELEN

Houd kinderen en kwetsbare personen op een afstand. Het gereedschap moet na gebruik buiten het bereik van kinderen en andere kwetsbare personen worden opgeborgen.

## ALGEMENE VEILIGHEIDSINSTRUCTIES VOOR SLIJPEN

- a) Dit elektrisch gereedschap is bedoeld voor gebruik als een slijpmachine. Lees alle veiligheidsinstructies, waarschuwingen, illustraties en specificaties die bij dit elektrisch gereedschap worden geleverd.  
*Niet opvolgen van alle onderstaande instructies kan elektrische schokken, brand en/of ernstig letsel veroorzaken.*
- b) Gebruik van dit elektrisch gereedschap voor afschuren, staalborstelen, polijsten of doorslijpen wordt niet aanbevolen.  
*Gebruik van dit elektrisch gereedschap voor doeleinden waarvoor dit niet geschikt is kan gevaar opleveren en lichamelijk letsel veroorzaken.*
- c) Gebruik geen toebehoren die niet specifiek ontworpen en aanbevolen zijn door de fabrikant van het gereedschap.  
*Enkel het feit dat het toebehoren aan uw elektrisch gereedschap bevestigd kan worden betekent niet dat dit veilig gebruikt kan worden.*
- d) De nominale snelheid van het toebehoren moet tenminste gelijk zijn aan de maximum snelheid die op het elektrisch gereedschap staat aangegeven. Toebehoren die sneller draaien dan hun nominale snelheid kunnen stuk draaien en uit elkaar vliegen.
- e) De buitendiameter en de dikte van uw toebehoren moet binnen de nominale capaciteit van uw elektrisch gereedschap vallen.  
*Toebehoren van een verkeerde maat kunnen niet voldoende beveiligd of onder controle gehouden worden.*
- f) De opsteekmaat van schijven, flenzen, steunplaten of andere toebehoren moeten correct passen op de as van het elektrisch gereedschap.

*Toebehoren met opsteekgaten die niet overeenkomen met het montagegedeelte van het elektrisch gereedschap zullen uit balans raken, overmatig trillen en verlies van controle veroorzaken.*

- g) Gebruik geen beschadigde toebehoren. Inspecteer voor elk gebruik het toebehoren zoals slijpschijven op afgebroken stukjes en barsten, de steunplaat op barsten, scheuren of buitengewone slijtage, de draadborstel op loszittende of gebroken draden. Als het elektrisch gereedschap is komen te vallen, dit inspecteren op beschadiging of een onbeschadigd toebehoren monteren. Plaats na het inspecteren en monteren van een toebehoren uzelf en omstanders uit de buurt van het vlak van het draaiende toebehoren en laat het elektrisch gereedschap gedurende één minuut onbelast op maximum snelheid draaien.  
*Normaal zullen beschadigde toebehoren tijdens deze testperiode stuk gaan.*
- h) Draag beschermende uitrusting. Gebruik afhankelijk van de toepassing gezichtsbescherming, oogbescherming of een veiligheidsbril. Draag al naar gelang de omstandigheden een stofmasker, gehoorbescherming, handschoenen en een werkschoort dat slijpsel of kleine materiaaldeeltjes kan tegenhouden.  
*De oogbescherming moet rondvliegende deeltjes die door diverse werkzaamheden worden geproduceerd kunnen tegenhouden. Het stofmasker of respirator moet deeltjes die door uw werkzaamheden geproduceerd worden kunnen filteren. Langdurige blootstelling aan geluid met hoge intensiteit kan tot gehoorverlies leiden.*
- i) Houd omstanders op veilige afstand van de werkplek. Alle personen die de werkplek betreden moeten veiligheidsuitrusting dragen.  
*Materiaalfragmenten of een defect geraakt toebehoren kunnen wegspringen en letsel veroorzaken buiten de onmiddellijke omgeving van de werkplek.*
- j) Houd het elektrisch gereedschap vast bij de geïsoleerde handgrepen tijdens het uitvoeren van een karwei waarbij het snijtoebehoren in contact kan komen met verborgen bedrading of het eigen snoer.  
*Wanneer een snijtoebehoren in aanraking komt met een kabel die onder spanning staat, kunnen de blootliggende metalen delen van het elektrisch gereedschap onder spanning komen en de operator een elektrische schok toebrengen.*
- k) Plaats het snoer uit de buurt van het draaiende toebehoren.  
*Als u de controle verliest, kan het snoer doorgesneden of verstrikt raken en kan uw hand of arm in het draaiende toebehoren getrokken worden.*
- l) Leg het elektrisch gereedschap nooit neer totdat het toebehoren volledig tot stilstand is gekomen. Het draaiende toebehoren kan zich in het oppervlak vastzetten zodat u de controle over het elektrisch gereedschap verliest.



- m) **Laat het elektrisch gereedschap niet draaien wanneer u dit naast u draagt.**  
*Wanneer het draaiende toebehoren per ongeluk in contact komt met uw kleding kan dit daarin verstrikt raken en kan het toebehoren in uw lichaam worden getrokken.*
- n) **Reinig regelmatig de ventilatieopeningen van het elektrisch gereedschap.**  
*De ventilator van de motor trekt stof in de behuizing en een overmatige opeenhoping van metaalpoeder kan gevaar voor elektrische schokken opleveren.*
- o) **Gebruik het elektrisch gereedschap niet in de buurt van brandbare materialen.**  
*Deze materialen kunnen door vonken tot ontbranding komen.*
- p) **Gebruik geen toebehoren waarvoor een vloeibaar koelmiddel vereist is.**  
*Gebruik van water of overig vloeibaar koelmiddel kan elektrocutie of schok tot gevolg hebben.*
- d) **Wees bijzonder voorzichtig bij het bewerken van hoeken, scherpe randen, enz. Voorkom dat het toebehoren terugspringt en vastloopt.**  
*Hoeken, scherpe randen of terugsprongen hebben de neiging het draaiende toebehoren te laten vastlopen en kan verlies van controle of terugslag veroorzaken.*
- e) **Bevestig geen zaagblad voor houtsnijwerk of een getand zaagblad.**  
*Dergelijke bladen veroorzaken vaak terugslag en verlies van controle.*

---

## VEILIGHEIDSINSTRUCTIES SPECIFIEK VOOR SLIJPWERKZAAMHEDEN

---

- a) **Gebruik uitsluitend typen schijven die aanbevolen zijn voor uw elektrisch gereedschap en de specifieke beveiliging die bestemd is voor de gekozen schijf.**  
*Schijven waarvoor het elektrisch gereedschap niet geschikt is kunnen niet voldoende beveiligd worden en zijn onveilig.*
- b) **Schijven mogen enkel gebruikt worden voor de aanbevolen toepassingen. Bijvoorbeeld: niet slijpen met de zijkant van een doorslijpschijf.**  
*Doorslijpschijven zijn bedoeld voor slijpen met de buitenste rand; als er zijdelings kracht op deze schijven wordt uitgeoefend kunnen deze breken.*
- c) **Gebruik altijd onbeschadigde schijfflenzen die de juiste maat en vorm hebben voor de door u gekozen schijf.**  
*Juiste schijfflenzen ondersteunen de schijf en verminderen daardoor de kans op het stuk gaan van een schijf. Flenzen voor doorslijpschijven kunnen afwijken van die voor slijpschijfflenzen.*
- d) **Gebruik geen versleten schijven van groter elektrisch gereedschap.**  
*Een schijf die bedoeld is voor een groter elektrisch gereedschap is niet geschikt voor de hogere snelheid van een kleiner gereedschap en kan uit elkaar springen.*

---

## ALGEMENE VEILIGHEIDSINSTRUCTIES VOOR DE SLIJPMACHINE

---

- Controleer of de op de schijf aangegeven snelheid gelijk aan of groter dan de nominale snelheid van de slijpmachine is;
- Controleer of de afmetingen van de schijf compatibel zijn met de slijpmachine;
- Slijpschijven dienen, overeenkomstig met de instructies van de fabrikant, voorzichtig te worden gebruikt en opgeslagen;
- Controleer een slijpschijf vóór gebruik – gebruik geen afgesplinterde, gebroken of anderszins defecte producten;
- Controleer of aangehaakte schijven en punten in overeenstemming met de instructies van de fabrikant worden gemonteerd;
- Zorg dat u, indien meegeleverd en nodig, vloeiblokken gebruikt met het aangehechte slijpproduct;

---

## TERUGSLAG EN VERBAND HOUDENDE WAARSCHUWINGEN

---

*Terugslag is een plotselinge reactie van een draaiende schijf, steunplaat, borstel of ander toebehoren dat klemgeraakt of vastgelopen is. Klemraken of vastlopen veroorzaakt snel afslaan van het draaiende toebehoren dat daardoor het elektrisch gereedschap bij het punt van klemraken eigenmachtig in de richting forceert tegenovergesteld aan de draairichting van het toebehoren.*

*Als bijvoorbeeld een slijpschijf vastgelopen of klemgeraakt is in het werkstuk, kan de rand van de schijf die in het klempunt zit zich gaan vastzetten in het materiaaloppervlak waardoor de schijf omhoog kan springen of terugslaan. De schijf kan in de richting van de operator of van deze vandaan springen, afhankelijk van de draairichting van de schijf op het punt van klemraken. Slijpschijven kunnen onder deze omstandigheden ook breken.*

*Terugslag is het resultaat van verkeerd gebruik van het elektrisch gereedschap en/of verkeerde bedieningsprocedures of omstandigheden en kan worden voorkomen door het nemen van de juiste voorzorgsmaatregelen zoals hieronder aangegeven.*

- a) **Houd het elektrische gereedschap stevig in uw greep en houd uw lichaam en arm in een positie waarbij terugslagkrachten opgevangen kunnen worden. Gebruik altijd de extra handgreep, indien voorzien, voor maximale controle over terugslag of reactiekoppel bij het opstarten.**  
*De operator kan reactiekoppel of terugslagkrachten onder controle houden als de juiste voorzorgsmaatregelen worden genomen.*
- b) **Plaats uw hand nooit in de buurt van het draaiende toebehoren.**  
*Het toebehoren kan over uw hand terugslaan.*
- c) **Breng uw lichaam niet in een positie op een plaats waar het elektrisch gereedschap in het geval van terugslag naar toe kan bewegen.**  
*Terugslag forceert het gereedschap in een richting tegenovergesteld aan de beweging van de schijf bij het punt van vastlopen.*

- Controleer vóór gebruik dat het slijpproduct correct is aangehaakt en vastgemaakt en zet het apparaat zonder last en in veilige positie aan voor een periode van 30 seconden. Zet het apparaat onmiddellijk uit bij heftige vibraties of andere defecten. Controleer het apparaat in het geval van defecten en zoek naar de oorzaak;
- Indien het apparaat wordt geleverd met een afscherming dient u deze te allen tijde te gebruiken;
- Gebruik geen losse adapters of hulsen om slijpschijven met te grote gaten te kunnen plaatsen;
- Controleer bij het gebruik van een van binnen bedrade schijf of het draad lang genoeg is voor de spillengte;
- Zorg dat het werkstuk goed wordt ondersteund;
- Gebruik geen afgezaagde schijven voor zijlijpen;
- Zorg dat eventuele vonken niet voor schade kunnen zorgen, bijvoorbeeld door tegen mensen op te spatten, of door ontvlambare substanties te onsteken;
- Zorg dat de ventilatiegaten niet worden geblokkeerd bij gebruik onder stoffige omstandigheden. Indien het noodzakelijk is om het gereedschap schoon te maken, haal dan eerst de stekker uit het stopcontact (gebruik geen objecten van metaal) en voorkom beschadiging van interne onderdelen;
- Draag altijd oog- en oorbescherming. Ook andere beschermende uitrusting zoals stofmasker, handschoenen, helm en schort dient te worden gedragen;
- Houd de schijf, die ook na uitschakeling nog even blijft draaien, goed in de gaten.

## TECHNISCHE GEGEVENS

Voltage (verschillend van gebied tot gebied)*	(110V, 120V, 127V, 220V, 230V, 240V) ~
Opgenomen vermogen*	520 W
Onbelaste snelheid*	29000 min <sup>-1</sup>
Max. schijfdiameter*	25 mm
Capaciteit klembus**	6 mm
Gewicht (zonder kabel)	1,7 kg

\* Controleer het naamplaatje op het apparaat daar het apparaat afhankelijk van het gebied waar het verkocht wordt gewijzigd kan worden.

\*\* Dit verschilt afhankelijk van het gebied.

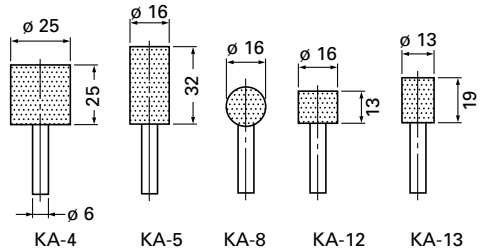
## STANDAARD TOEBEHOREN

- (1) Sleutel (17 mm) ..... 1
- (2) Sleutel (12 mm) ..... 1
- (3) Zijhandgreep  
(niet bijgeleverd in sommige gebieden) ..... 1

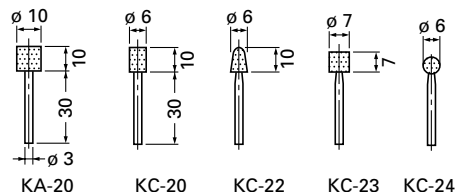
De standaard toebehoren kunnen zonder aankondiging op ieder moment worden veranderd.

## EXTRA TOEBEHOREN (los te verkrijgen)

- Klembus  
voor de 3mm as  
voor de 3,175mm as  
voor de 6,35mm as  
voor de 8mm as  
De afmetingen en werkwijze, behalve de asopening, zijn hetzelfde als voor de 6mm klembus.
- Schijven met een 6mm as  
Alle schijven zijn voorzien van WA slijpkorrel, 60 gradering en P hechting en zijn geschikt voor het slijpen van algemene en speciale stalen materialen.



- Schijven met een 3mm as  
Alle schijven zijn voorzien van WA slijpkorrel, 80 gradering en P hechting en zijn geschikt voor het slijpen van algemene en speciale stalen materialen.



- Houten hamer
  - Tas
- De extra toebehoren kunnen zonder aankondiging op ieder moment worden veranderd.

## TOEPASSINGEN

- Afwerken van metalen voor persen, gieten en vormen.
- Afwerken van draadsnijvormen, gereedschappen en andere kleine delen.
- Inwendig slijpen van gereedschappen en machineonderdelen.

## VOOR HET BEGIN VAN HET WERK

### 1. Netspanning

Controleren of de netspanning overeenkomt met de opgave op het naamplaatje.

### 2. Netschakelaar

Controleren of de netschakelaar op „UIT” staat. Wanneer de stekker op het net aangesloten is, terwijl de schakelaar op „AAN” staat, begint het gereedschap onmiddellijk te draaien, hetwelk ernstig gevaar betekent.

### 3. Verlengsnoer

Wanneer het werktein niet in de buurt van een stopcontact ligt, dan moet men gebruik maken van een verlengsnoer, dat voldoende dwarsprofiel en voldoende nominaal vermogen heeft. Het verlengsnoer moet zo kort mogelijk gehouden worden.

### 4. Monteren van een schijf

Monteer de schijf zodanig dat lengte  $\ell$  minder dan 15mm is.

(bij  $\ell = 15 \text{ mm}$ )

d	3 mm, 3,175 mm (1/8")				6 mm, 6,35 mm (1/4")				8 mm
D	5 mm	6 mm	8 mm	10 mm	13 mm	16 mm	20 mm	25 mm	25 mm
L	10 mm	13 mm	16 mm	13 mm	40 mm	40 mm	25 mm	25 mm	32 mm

### 5. Gebruik van de zijhandgreep (Afb. 3)

Gebruik de zijhandgreep om de kans op een ernstige elektrische schok te voorkomen.

Bevestig de zijhandgreep als volgt aan het gereedschap.

- (1) Draai het zijhandvat los en steek de zijhandgreep vanaf het flensgedeelte van de zijhandgreepmof in het neusbeugelgedeelte van het gereedschap.
- (2) Zet de zijhandgreep in een stand die geschikt is voor de bediening en draai het zijhandvat vervolgens stevig vast.

## GEBRUIK

### 1. Bediening van de schakelaar

- (1) Zet de schakelaar naar rechts (ON-kant) voor het inschakelen van de slijpmachine en naar links (OFF-kant) voor het uitschakelen van de slijpmachine.
- (2) Als de slijpmachine de eerste maal wordt ingeschakeld nadat er een nieuwe schijf is gemonteerd, moet u uit de buurt van de schijf blijven om een eventuele gevaarlijke situatie, door verkeerde montage van de schijf, te voorkomen.
- (3) Test de machine altijd eerst door de schijf in een veilige richting te houden.

Als  $\ell$  langer is zullen abnormale trillingen optreden waardoor de prestaties van de machine niet alleen negatief worden beïnvloed maar bovendien bestaat de kans op ongelukken. Houd  $\ell$  daarom zo kort mogelijk. negatief worden beïnvloed maar bovendien bestaat de kans op ongelukken. Houd L daarom zo kort mogelijk.

Als  $d = 6\text{mm}, 6,35\text{mm}, 8\text{mm}$ , dan moet de D van de schijf minder dan 25mm zijn. Wordt een schijf gebruikt met een D van meer dan 25mm, dan is de snelheid aan de omtrek te groot en zal de schijf breken. Let er goed op dat de D van de schijf niet te groot is.

Afstand L hangt af van D. Bepaal L aan de hand van de onderstaande tabel.

Als  $d = 3\text{mm}, 3,175\text{mm}$ , dan moet D minder dan 10mm zijn.

Bepaal L aan de hand van de onderstaande tabel. De schijven kunnen bevestigd en losgemaakt worden met de twee sleutels. (Afb. 2)

### OPMERKING:

- Draai de klembus niet vast als er een te dunne as in zit (minder dan 6mm) of als er geen as in zit. Dit dan zal namelijk resulteren in beschadiging van de klembus.
- Bij het monteren van een schijf met as moet de klembus pas worden vastgezet nadat het in Afb. 1 aangegeven tapse gedeelte met een weinig dunne smeerolie (of naaimachine-olie) is tapse bedekt.

### 2. Voorzorgsmaatregelen betreffende de bediening

- (1) Druk de schijf lichtjes op het materiaal dat geslepen moet worden. Bij het slijpen van materialen is een hoog toerental vereist. Dit om de drukkracht zo gering mogelijk te houden.
- (2) Vlakklappen van de schijf  
Na het bevestigen van de schijf moet een eventuele slingering van de schijf worden vlakgeklopt m.b.v. een houten hamer (los te verkrijgen).  
Als de schijf niet vlak is, is afwerken niet goed mogelijk en nemen de trillingen toe wat resulteert in een minder nauwkeurig slijpen en kortere levensduur. Een vuile of versleten schijf zal eveneens resulteren in minder goede prestaties. Behandel de schijf daarom regelmatig met de houten hamer.

## KIEZEN VAN DE SCHIJF

Het type schijf wordt bepaald door het materiaal dat moet worden geslepen. Kies de schijf daarom overeenkomstig het materiaal.

De onderstaande tabel toont de samenhang tussen de te gebruiken schijf en het materiaal.

Materiaal dat moet worden geslepen	Slijpkorrel	Gradering	Hechtingsgraad	Structuur	Hechtingsmiddel
Zacht staal, hard staal, gesmeed staal	WA	60-80	P	m	V
Gegoten ijzer	C	36	M-O	m	V
Messing, brons, aluminium	C	36	J-K	m	V
Keramisch materiaal	WA	60-80	M	m	V
Synthetische hars	C	36	K-M	m	V

Kleine schijven met as zijn voor het slijpen van kleine oppervlakken. De afmetingen en vormen zijn aangegeven in "EXTRA TOEBEHOREN".

Aangezien de diameter van de schijf 3mm is, moet de klembus voor een 3mm as worden gebruikt (deze is los verkrijgbaar bij uw HiKOKI dealer).

## ONDERHOUD EN INSPECTIE

### 1. Inspecteren van de schijf

Controleer of er geen barsten in de schijf zitten en ook geen defecten aan het oppervlak.

### 2. Inspectie van de bevestigingsschroef

Alle bevestigingsschroeven worden regelmatig geïnspecteerd en gecontroleerd of zij juist aangedraaid zijn. Wanneer één van de schroeven losraakt, dan moet deze onmiddellijk opnieuw aangedraaid worden. Gebeurt dat niet, dan kan dat tot aanzienlijke gevaren leiden.

### 3. Onderhoud van de motor

De motorwikkeling is het „hart“ van het elektrische gereedschap. Er moet daarom bijzonder zorgvuldig op gelet worden, dat de wikkeling niet beschadigd en/of met olie of water bevochtigd wordt.

### 4. Inspectie van de koolborstels (Afb. 4)

Bij de motor zijn koolborstels gebruikt, die onderhevig zijn aan slijtage. Buitengewoon versleten koolborstels leiden tot problemen bij de motor. Dientengevolge dienen de koolborstels vervangen te worden met borstels die hetzelfde nummer hebben als de afbeelding aantoont, wanneer de koolborstel versleten, of bijna versleten is. Bovendien moeten de koolborstels altijd schoon zijn en zich in vrij de borstelhouders bewegen kunnen.

### 5. Het wisselen van de koolborstel (Afb. 5)

<Demontieren>

- (1) Draai de zelftappende D4 schroef, die het achterdeksel op zijn plaats houdt, los en verwijder het achterdeksel.
- (2) Gebruik de bijgeleverde inbussleutel of een kleine schroevendraaier om de rand van de spiraalveer die de koolborstel tegen houdt op te wippen. Verwijder de haak van de veer naar de buitenkant van de koolborstelhouder.
- (3) Verwijder het gekrulde uiteinde van de koolborstel uit de bedradingsblok-groep (A) en verwijder van de koolborstel uit de koolborstelhouder.

<Monteren>

- (1) Steek het gekrulde uiteinde van de borstelverbindingsdraad in het aansluitgedeelte van de koolborstelhouder.
- (2) Plaats de koolborstel in de koolborstelhouder.

- (3) Gebruik de bijgeleverde inbussleutel of een kleine schroevendraaier om de rand van de spiraalveer weer op de bovenkant van de koolborstel aan te brengen.

### OPMERKING:

Controleer of het uiteinde van de veer de varkensstaart niet vasthoudt.

- (4) Sluit het achterdeksel en draai tenslotte de zelftappende D4 schroef weer vast.

### 6. Lijst vervangingsonderdelen

#### LET OP

Reparatie, modificatie en inspectie van HiKOKI elektrisch gereedschap dient te worden uitgevoerd door een erkend HiKOKI Service-centrum.

Deze Onderdelenlijst komt van pas wanneer u deze samen met het gereedschap aanbiedt bij het erkende HiKOKI Service-centrum wanneer u om reparatie of ander onderhoud verzoekt.

Bij gebruik en onderhoud van elektrisch gereedschap dienen de in het land waar u zich bevindt geldende veiligheidsregelgeving en veiligheidsstandaarden strikt te worden opgevolgd.

### MODIFICATIES

HiKOKI elektrisch gereedschap wordt voortdurend verbeterd en gewijzigd teneinde gebruik te kunnen maken van de nieuwste technische ontwikkelingen. Daarom is mogelijk dat sommige onderdelen zonder voorafgaande kennisgeving gewijzigd worden.

## GARANTIE

De garantie op het elektrisch gereedschap van HiKOKI is in overeenstemming met de wettelijke/landspecifieke richtlijnen. Deze garantie dekt geen defecten of schade als gevolg van foutief gebruik, misbruik of normale slijtage. In geval van klachten verzoeken wij u het elektrisch gereedschap samen met het GARANTIECERTIFICAAT dat u achterin deze handleiding aantreft naar een erkend servicecentrum van HiKOKI te sturen. Indien door de gebruiker de machine wordt gedemonteerd vervalt de aanspraak op garantie.

### AANTEKENING:

Op grond van het voortdurende research-en ontwikkelingsprogramma van HiKOKI zijn veranderingen van de hierin genoemde technische opgaven voorbehouden.

---

**Informatie betreffende luchtgeluid en trillingen**

De gemeten waarden zijn verkregen overeenkomstig EN60745 en voldoen aan de eisen van ISO 4871.

Gemeten A-gewogen geluidsniveau: 94 dB (A)

Gemeten A-gewogen geluidsdruk niveau: 83 dB (A)

Onzekerheid KpA: 3 dB (A)

Draag gehoorbescherming.

Totale trillingswaarden (triax vector som) bepaald overeenkomstig EN60745.

Oppervlak slijpen:

Trillingsemissiewaarde **a<sub>h</sub>, S<sub>G</sub>** = 2,6 m/s<sup>2</sup>

Onzekerheid K = 1,5 m/s<sup>2</sup>

---

**WAARSCHUWING**

- De trillingsemissiewaarde tijdens het feitelijke gebruik van het elektrisch gereedschap kan afwijken van de opgegeven waarde afhankelijk van de manieren waarop het gereedschap wordt gebruikt.
- Neem kennis van de veiligheidsmaatregelen voor de bescherming van de operator welke gebaseerd zijn op een schatting van blootstelling onder feitelijke gebruiksomstandigheden (rekening houdend met alle onderdelen van de gebruikscyclus, zoals de tijd dat het gereedschap is uitgeschakeld en wanneer dit onbelast draait inclusief de triggertijd).

## ADVERTENCIAS DE SEGURIDAD GENERAL DE LA HERRAMIENTA ELÉCTRICA

### ⚠ ADVERTENCIA

Lea todas las instrucciones y advertencias de seguridad. Si no se siguen las advertencias e instrucciones, podría producirse una descarga eléctrica, un incendio y/o daños graves.

Guarde todas las advertencias e instrucciones para futura referencia.

El término "herramienta eléctrica" en las advertencias hace referencia a la herramienta eléctrica que funciona con la red de suministro (con cable) o a la herramienta eléctrica que funciona con pilas (sin cable).

#### 1) Seguridad del área de trabajo

- Mantenga la zona de trabajo limpia y bien iluminada.**  
*Las zonas desordenadas u oscuras pueden provocar accidentes.*
- No utilice las herramientas eléctricas en entornos explosivos como, por ejemplo, en presencia de líquidos inflamables, gases o polvo.**  
*Las herramientas eléctricas crean chispas que pueden inflamar el polvo o los humos.*
- Mantenga a los niños y transeúntes alejados cuando utilice una herramienta eléctrica.**  
*Las distracciones pueden hacer que pierda el control.*

#### 2) Seguridad eléctrica

- No enchufes de las herramientas eléctricas tienen que ser adecuados a la toma de corriente.**  
**No modifique el enchufe.**  
**No utilice enchufes adaptadores con herramientas eléctricas conectadas a tierra.**  
*Si no se modifican los enchufes y se utilizan tomas de corriente adecuadas se reducirá el riesgo de descarga eléctrica.*
- Evite el contacto corporal con superficies conectadas a tierra como tuberías, radiadores y frigoríficos.**  
*Hay mayor riesgo de descarga eléctrica si su cuerpo está en contacto con el suelo.*
- No exponga las herramientas eléctricas a la lluvia o a la humedad.**  
*La entrada de agua en una herramienta eléctrica aumentará el riesgo de descarga eléctrica.*
- No utilice el cable incorrectamente. No utilice el cable para transportar, tirar de la herramienta eléctrica o desenchufarla.**  
**Mantenga el cable alejado del calor, del aceite, de bordes afilados o piezas móviles.**  
*Los cables dañados o enredados aumentan el riesgo de descarga eléctrica.*
- Cuando utilice una herramienta eléctrica al aire libre, utilice un cable prolongador adecuado para utilizarse al aire libre.**  
*La utilización de un cable adecuado para usarse al aire libre reduce el riesgo de descarga eléctrica.*
- Si no se puede evitar el uso de una herramienta eléctrica en un lugar húmedo, utilice un suministro protegido mediante un dispositivo de corriente residual (RCD).**  
*El uso de un RCD reduce el riesgo de descarga eléctrica.*

#### 3) Seguridad personal

- Esté atento, preste atención a lo que hace y utilice el sentido común cuando utilice una herramienta eléctrica. No utilice una herramienta eléctrica cuando esté cansado o esté bajo la influencia de drogas, alcohol o medicación.**

La distracción momentánea cuando utiliza herramientas eléctricas puede dar lugar a importantes daños personales.

- Utilice un equipo de protección. Utilice siempre una protección ocular.**  
*El equipo de protección como máscara para el polvo, zapatos de seguridad antideslizantes, casco o protección para oídos utilizado para condiciones adecuadas reducirá los daños personales.*
  - Evite un inicio involuntario. Asegúrese de que el interruptor está en "off" antes de conectar la herramienta a una fuente de alimentación y/o batería, cogerla o transportarla.**  
*El transporte de herramientas eléctricas con el dedo en el interruptor o el encendido de herramientas eléctricas con el interruptor encendido puede provocar accidentes.*
  - Retire las llaves de ajuste antes de encender la herramienta eléctrica.**  
*Si se deja una llave en una pieza giratoria de la herramienta eléctrica podrían producirse daños personales.*
  - No se extralimite. Mantenga un equilibrio adecuado en todo momento.**  
*Esto permite un mayor control de la herramienta eléctrica en situaciones inesperadas.*
  - Vístase adecuadamente. No lleve prendas sueltas o joyas. Mantenga el pelo, la ropa y los guantes alejados de las piezas móviles.**  
*La ropa suelta, las joyas y el pelo largo pueden pillarse en las piezas móviles.*
  - Si se proporcionan dispositivos para la conexión de extracción de polvo e instalaciones de recogida, asegúrese de que están conectados y se utilizan adecuadamente.**  
*La utilización de un sistema de recogida de polvo puede reducir los riesgos relacionados con el polvo.*
- #### 4) Utilización y mantenimiento de las herramientas eléctricas
- No fuerce la herramienta eléctrica. Utilice la herramienta eléctrica correcta para su aplicación.**  
*La herramienta eléctrica correcta trabajará mejor y de forma más segura si se utiliza a la velocidad para la que fue diseñada.*
  - No utilice la herramienta eléctrica si el interruptor no la enciende y apaga.**  
*Las herramientas eléctricas que no pueden controlarse con el interruptor son peligrosas y deben repararse.*
  - Desconecte el enchufe de la fuente eléctrica y/o la batería de la herramienta eléctrica antes de hacer ajustes, cambiar accesorios o almacenar herramientas eléctricas.**  
*Estas medidas de seguridad preventivas reducen el riesgo de que la herramienta eléctrica se ponga en marcha accidentalmente.*
  - Guarde las herramientas eléctricas que no se utilicen para que no las cojan los niños y no permita que utilicen las herramientas eléctricas personas no familiarizadas con las mismas o con estas instrucciones.**  
*Las herramientas eléctricas son peligrosas si son utilizadas por usuarios sin formación.*
  - Mantenimiento de las herramientas eléctricas. Compruebe si las piezas móviles están mal alineadas o unidas, si hay alguna pieza rota u otra condición que pudiera afectar al funcionamiento de las herramientas eléctricas.**  
*Si la herramienta eléctrica está dañada, llévela a reparar antes de utilizarla.*

*Se producen muchos accidentes por no realizar un mantenimiento correcto de las herramientas eléctricas.*

- f) **Mantenga las herramientas de corte afiladas y limpias.**  
*Las herramientas de corte correctamente mantenidas con los bordes de corte afilados son más fáciles de controlar.*
- g) **Utilice la herramienta eléctrica, los accesorios y las brocas de la herramienta, etc. de acuerdo con estas instrucciones, teniendo en cuenta las condiciones laborales y el trabajo que se va a realizar.**

*La utilización de la herramienta eléctrica para operaciones diferentes a aquellas pretendidas podría dar lugar a una situación peligrosa.*

#### 5) Revisión

- a) **Lleve su herramienta a que la revise un experto cualificado que utilice sólo piezas de repuesto idénticas. Esto garantizará el mantenimiento de la seguridad de la herramienta eléctrica.**

#### PRECAUCIÓN

**Mantenga a los niños y a las personas enfermas alejadas.**

**Cuando no se utilicen, las herramientas deben almacenarse fuera del alcance de los niños y de las personas enfermas.**

#### ADVERTENCIAS COMUNES DE SEGURIDAD PARA LAS OPERACIONES DE MOLIDO

- a) **Esta herramienta eléctrica está diseñada para utilizarse como amoladora. Lea todas las advertencias de seguridad, instrucciones, ilustraciones y especificaciones proporcionadas con esta herramienta.**

*Si no se siguen todas las instrucciones indicadas a continuación, podría producirse una descarga eléctrica, un incendio y/o daños graves.*

- b) **No se recomienda realizar operaciones como lijado, cepillado metálico o pulido con esta herramienta. Las operaciones para las que no se diseñó la herramienta eléctrica podrían producir un riesgo y causar daños personales.**

- c) **No utilice accesorios que no estén diseñados y estén recomendados específicamente por el fabricante de la herramienta.**

*El hecho de que el accesorio pueda acoplarse en la herramienta eléctrica no garantiza una operación segura.*

- d) **La velocidad nominal del accesorio debe ser al menos igual a la velocidad máxima marcada en la herramienta eléctrica.**

*Los accesorios que se utilizan con una velocidad superior a la indicada podrían romperse o descomponerse.*

- e) **El diámetro externo y el grosor de su accesorio debe estar dentro de la clasificación de capacidad de su herramienta metálica.**

*Los accesorios de tamaño incorrecto no pueden supervisarse o controlarse adecuadamente.*

- f) **El tamaño de pérgola de las ruedas, bridas, almohadillas de respaldo u otros accesorios deben encajar correctamente en el eje de la herramienta metálica.**

*Los accesorios con orificios de pérgola que no coincidan con la estructura de montaje de la herramienta eléctrica se desequilibrarán, vibrarán en exceso y pueden causar una pérdida de control.*

- g) **No utilice un accesorio dañado. Antes de cada uso, inspeccione el accesorio, mirando si las ruedas abrasivas tienen grietas o roturas, las almohadillas de respaldo tienen grietas, rasgadas o desgaste excesivo o el cepillo metálico está suelto o con el metal roto. Si se cae la herramienta eléctrica o el accesorio, inspeccione si está dañado o instale un accesorio sin dañar. Tras inspeccionar e instalar un accesorio, tanto usted como los viandantes deben alejarse del plano del accesorio giratorio y utilizar la herramienta eléctrica a máxima velocidad sin carga durante un minuto.**

*Los accesorios dañados se romperán durante este periodo de prueba.*

- h) **Utilice equipo protector personal. Dependiendo de la aplicación, utilice protector facial, gafas protectoras o gafas de seguridad. Si procede, utilice máscara para polvo, protectores auditivos, guantes y mono capaz de detener pequeños fragmentos abrasivos o piezas de trabajo.**

*El protector ocular debe ser capaz de detener los desechos que salen desprendidos generados por las diferentes operaciones. La máscara para polvo o respirador debe ser capaz de filtrar partículas generadas por su operación. Una exposición prolongada a un ruido de intensidad elevada podría producir pérdida de audición.*

- i) **Mantenga a los viandantes alejados del área de trabajo. Toda persona que entre en la zona de trabajo debe utilizar equipo de protección personal. Los fragmentos de un trabajo o un accesorio roto pueden salir despedidos y causar daños más allá del área de operación inmediata.**

- j) **Sujete la herramienta eléctrica sólo por las superficies de agarre aisladas cuando realice una operación en la que el accesorio de corte pueda entrar en contacto con el cableado oculto o su propio cable.**

*El accesorio de corte que contacta con un cable "vivo" puede hacer que las partes metálicas expuestas de la herramienta eléctrica pasen a estar "vivas" y produzcan una descarga en el operario.*

- k) **Coloque el cable cerca del accesorio giratorio. Si pierde el control, podría cortarse el cable o engancharse y la mano o brazo podrían entrar en el accesorio giratorio.**

- l) **No coloque boca abajo la herramienta eléctrica hasta que el accesorio se haya parado completamente.**

*El accesorio giratorio podría agarrar la superficie y descontrolar la herramienta eléctrica.*

- m) **No ponga en marcha la herramienta eléctrica cuando la lleve al lado.**

*Un contacto accidental con el accesorio giratorio podría enganchar la ropa y el accesorio podría herirle.*

- n) **Limpie regularmente los conductos de aire de la herramienta eléctrica.**

*El ventilador del motor sacará el polvo de dentro del alojamiento y la acumulación excesiva de metal en polvo podría producir peligros eléctricos.*

- o) **No utilice la herramienta eléctrica cerca de materiales inflamables.**

*Las chispas podrían quemar dichos materiales.*

- p) **No utilice accesorios que requieran refrigerantes líquidos.**

*Al utilizar agua u otros refrigerantes líquidos podría producirse una electrocución o descarga.*

## REBOTE Y ADVERTENCIAS RELACIONADAS

*El rebote es una reacción repentina a una rueda giratoria, almohadilla de soporte, cepillo u otro accesorio pinchado o enganchado. El pinchazo o enganche causa una parada rápida del accesorio giratorio que, a su vez, hace que la herramienta eléctrica no controlada vaya en la dirección opuesta del giro del accesorio en el punto de atasco.*

*Por ejemplo, si una rueda abrasiva es enganchada o pinchada por la pieza de trabajo, el borde de la rueda que entra en el punto de pinchazo puede enterrarse en la superficie del material haciendo que la rueda se salga. La rueda puede saltar hacia el operario o salir despedida de este, dependiendo de la dirección del movimiento de la rueda en el punto de pinchazo. Las ruedas abrasivas también pueden romperse bajo estas condiciones.*

*El rebote es el resultado de un uso incorrecto y/o procedimientos o condiciones operativos incorrectos de la herramienta eléctrica y puede evitarse tomando las precauciones adecuadas indicadas a continuación.*

- a) **Agarre la herramienta eléctrica firmemente y coloque el cuerpo y el brazo para que pueda resistirse a las fuerzas de retroceso. Utilice siempre una agarradera auxiliar, si se proporciona, para un control máximo sobre el rebote o reacción del par durante la puesta en marcha.**

*El operario puede controlar las reacciones del par o las fuerzas de rebote, si se toman las precauciones adecuadas.*

- b) **No coloque la mano cerca del accesorio giratorio. El accesorio puede rebotarse en la mano.**

- c) **No coloque el cuerpo en la zona en la que la herramienta eléctrica se mueva si se produce un rebote.**

*El rebote impulsará a la herramienta en dirección opuesta al movimiento de la rueda en el punto de enganche.*

- d) **Tenga especial cuidado cuando trabaje con esquinas, bordes afilados, etc. Evite rebotar y enganchar el accesorio.**

*Las esquinas, bordes afilados o el rebote tienden a enganchar el accesorio giratorio y causan la pérdida de control y rebote.*

- e) **No coloque una cuchilla talladora de madera o cuchilla dentada en la sierra.**

*Dichas cuchillas a menudo producen rebote y pérdida de control.*

## ADVERTENCIAS DE SEGURIDAD ESPECÍFICAS PARA LAS OPERACIONES DE MOLIDO

- a) **Utilice sólo tipos de ruedas recomendados para su herramienta eléctrica y el protector específico diseñado para la rueda seleccionada.**

*Las ruedas para las que no se diseñó la herramienta eléctrica no pueden protegerse adecuadamente y no son seguras.*

- b) **Las ruedas deben utilizarse sólo para las aplicaciones recomendadas. Por ejemplo, no muela con el lado de la rueda de corte.**

*Las ruedas de corte abrasivas están diseñadas para un molido periférico. Las fuerzas laterales aplicadas a estas ruedas pueden hacer que se rompan.*

- c) **Utilice siempre bridas de ruedas sin dañar de tamaño y forma correcta para la rueda seleccionada.**

*Las bridas de rueda adecuadas soportan la rueda, reduciendo la posibilidad de rotura de rueda. Las bridas para ruedas de corte pueden ser diferentes de las bridas de rueda de molido.*

- d) **No utilice ruedas de herramientas eléctricas más grandes.**

*La rueda diseñada para una herramienta eléctrica más grande no es adecuada para la velocidad superior de una herramienta inferior y podría estallar.*

## INSTRUCCIONES GENERALES DE SEGURIDAD PARA AMOLADORAS

- Compruebe que la velocidad marcada en la rueda es igual o superior a la velocidad media de la amoladora;
- Asegure que las dimensiones de la rueda son compatibles con la amoladora;
- Las ruedas abrasivas deben almacenarse y manipularse con cuidado de acuerdo con las instrucciones del fabricante;
- Inspeccione la rueda amoladora antes de utilizarla. No utilice productos descascarillados, agrietados o defectuosos;
- Asegure que las ruedas y puntos montados se ajustan a las instrucciones del fabricante;
- Asegure que se utilicen secantes cuando se proporcionan con el producto abrasivo y cuando se requiera;
- Asegure que le producto abrasivo está correctamente montado y ajustado antes de la utilización y ponga en marcha la herramienta sin carga durante 30 segundos en una posición segura; pare inmediatamente si hay vibración considerable o si se detectan otros defectos. Si ocurre esto, compruebe la máquina para determinar la causa;
- Si la herramienta se proporciona con una tapa, no utilice nunca la herramienta sin dicha tapa;
- No utilice cojinetes reductores o adaptadores diferentes para adaptar ruedas abrasivas de oficio grande;
- Para herramientas que se utilicen con rueda de oficio roscado, asegúrese de que la rosca de la rueda es lo suficientemente larga para aceptar la longitud del eje;
- Compruebe que la pieza de trabajo está bien sujeta;
- No utilice una rueda de recorte para el amole lateral;
- Asegúrese de que las chispas emitidas al utilizar la herramienta no crean ningún riesgo, es decir, no alcanzan a ninguna persona ni sustancia inflamable;
- Asegúrese de que las aperturas de ventilación están despejadas cuando trabaje en condiciones con polvo. Si es necesario limpiar el polvo, desconecte primero la herramienta de la toma de corriente (utilice objetos no metálicos) y evite dañar las piezas internas;



- Utilice siempre protección de ojos y de oídos, así como otro equipo protector personal como máscara de polvo, guantes, casco y mono;
- Preste atención a la rueda que sigue girando tras apagar la herramienta.

**ESPECIFICACIONES**

Voltaje (por áreas)*	(110V, 120V, 127V, 220V, 230V, 240V) ~
Acometida*	520 W
Velocidad sin carga*	29000 min <sup>-1</sup>
Diámetro máximo de la muela*	25 mm
Capacidad de la boquilla de mordazas convergentes**	6 mm
Peso (sin cable)	1,7 kg

\* Verificar indefectiblemente los datos de la placa de características de la máquina, pues varían de acuerdo al país de destino.

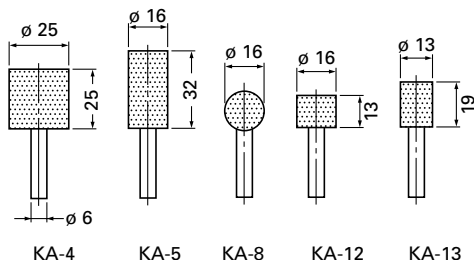
\*\* Sujetos a cambios según el país de destino.

**ACCESORIOS ESTÁNDAR**

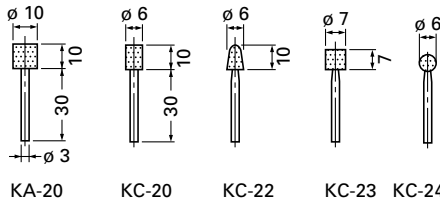
- (1) Llave de tuercas (17 mm) ..... 1
  - (2) Llave de tuercas (12 mm) ..... 1
  - (3) Asidero lateral (no incluido por zonas) ..... 1
- Los accesorios estándar están sujetos a cambio sin previo aviso.

**ACCESORIOS A OPCIÓN  
(venta por separado)**

- Boquilla de mordazas convergentes  
para ejes de 3mm  
para ejes de 3,175mm  
para ejes de 6,35mm  
para ejes de 8mm  
Los métodos de manejo y las dimensiones, a excepción del agujero del eje, son los mismos que para la boquilla de mordazas convergentes de 6 mm.
- Muelas con ejes de 6mm  
Todas las muelas están provistas con granos WA, dureza 60 y adhesivo P, y son muy apropiadas para rectificar materiales normales y materiales de aceros especiales.



- Muelas con ejes de 3mm  
Todas las muelas están provistas con granos WA, dureza 80 y adhesivos P son muy apropiadas para rectificar materiales normales y materiales de aceros especiales.



- Reacondicionadora
  - Caja
- Los accesorios a opción están sujetos a cambio sin previo aviso.

**APLICACIONES**

- Acabado de matrices para trabajos de prensas, para coladas a presión y para moldeo.
- Acabado de terrajas, herramientas y otras piezas de pequeño tamaño.
- Rectificado interno de herramientas y piezas de máquinas.

**ANTES DE LA PUESTA EN MARCHA**

- Alimentación**  
Asegurarse de que la alimentación de red que ha de ser utilizada responda a las exigencias de corriente especificadas en la placa de características del producto.
- Conmutador de alimentación**  
Asegurarse de que el conmutador de alimentación esté en la posición OFF (desconectado). Si la clavija está conectada en la caja del enchufe mientras el conmutador de alimentación está en posición ON (conectado) las herramientas eléctricas empezarán a trabajar inmediatamente, provocando un serio accidente.

### 3. Cable de prolongación

Cuando está alejada el área de trabajo de la red de alimentación, usar un cable de prolongación de un grosor y potencia nominal suficiente. El cable de prolongación debe ser mantenido lo más corto posible.

### 4. Instalación de una muela

Instalar una muela de forma que la longitud  $\ell$  sea inferior a 15mm. Si  $\ell$  fuese mayor, ocurrirían vibraciones anormales y la máquina no solamente sería afectada sino que podría causar un grave accidente. Tratar siempre de que  $\ell$  sea lo más pequeño posible.

Cuando la  $d = 6\text{mm}$ ,  $6,35\text{mm}$  y  $8\text{mm}$ , D de la muela debe ser inferior a 25mm. Si se utiliza una rueda con D superior a 25mm, la velocidad de la circunferencia excederá el límite de seguridad y la muela se romperá. No utilizar nunca una muela cuyo D sea superior a 25mm.

La distancia L varía para D. Determinar L refiriéndose a la Tabla de abajo.

Cuando  $d = 3\text{mm}$ ,  $3,175\text{mm}$  D debe ser inferior a 10mm. Determinar L refiriéndose a la Tabla de abajo.

Las muelas pueden montarse y desmontarse utilizando las dos llaves de tuercas. (Fig. 2)

#### NOTA:

- No apretar la boquilla de mordazas convergentes insertando un eje de diámetro inferior al del eje normal (6mm) en el manguito portaherramienta. Esto dañará a la larga la boquilla de mordazas convergentes.
- Cuando se instale una muela con eje, apretar la boquilla de mordazas convergentes después de haber aplicado una pequeña cantidad de aceite para usos (o aceite de máquinas de coser) a la parte cónica indicada en la Fig. 1.

(Cuando  $\ell = 15\text{ mm}$ )

d	3 mm, 3,175 mm (1/8")				6 mm, 6,35 mm (1/4")				8 mm
D	5 mm	6 mm	8 mm	10 mm	13 mm	16 mm	20 mm	25 mm	25 mm
L	10 mm	13 mm	16 mm	13 mm	40 mm	40 mm	25 mm	25 mm	32 mm

### 5. Utilización del asidero lateral (Fig. 3)

Asegúrese de utilizar el asidero lateral para evitar el riesgo de descarga eléctrica.

Coloque el asidero lateral en la máquina de la siguiente manera.

- (1) Afloje la empuñadura del asidero lateral e introduzca el asidero lateral en la parte de sujeción de la punta de la máquina desde la parte de la brida de la funda del asidero lateral.
- (2) Coloque el asidero lateral en una posición adecuada para la operación y, a continuación, apriete bien la empuñadura del asidero lateral.

### 2. Precauciones durante el funcionamiento

- (1) Presionar ligeramente la muela contra el material para ser rectificado. Cuando se rectifiquen los materiales serán necesarias muchas revoluciones. Utilizar una amoladora resta de gran velocidad minimizando la fuerza de presión.

- (2) Preparación de la muela

Después de instalar la muela, corregir el desvío del centro de la muela utilizando una reacondicionadora (venta por separado).

Si el centro de la muela fuese excéntrico, no solamente se logrará un acabado preciso sino que aumentarán las vibraciones de la amoladora resta disminuyendo su precisión y su duración.

Una muela obstruida o desgastada ensuciará el acabado de la superficie o disminuirá la eficiencia del material ya rectificado. Preparar de vez en cuando la muela utilizando una reacondicionadora.

## COMO SE USA

### 1. Encendido y apagado

- (1) La herramienta se enciende deslizando el interruptor hacia la derecha (ON) y se apaga deslizando hacia la izquierda (OFF).
- (2) Cuando se encienda la herramienta por primera vez después de haber instalado una nueva muela, evitar aproximarse a la circunferencia de giro para evitar el peligro causado por una posible imperfección.
- (3) Antes de empezar a trabajar, pruebe la herramienta con la muela indicando hacia una posición segura.

## METODO DE SELECCION DE MUELAS

Los tipos de muelas varían de acuerdo a los materiales para rectificar. Seleccionar la muela apropiada para el material que va a ser rectificado.

La tabla siguiente expone a grandes rasgos las muelas y materiales que pueden ser rectificadas.

Material a rectificar	Grano	Dureza	Grado del adhesivo	Estructura	Agente adhesivo
Acero suave, duro y forjado	WA	60-80	P	m	V
Hierro colado	C	36	M-O	m	V
Bronce, latón y aluminio	C	36	J-K	m	V
Cerámica	WA	60-80	M	m	V
Resina sintética	C	36	K-M	m	V

Para rectificar pequeñas superficies se han preparado muelas de pequeña escala. Sus dimensiones y formas se muestran en "ACCESORIOS A OPCIÓN" (venta por separado). Ya que el diámetro de los ejes de las muelas es de 3mm utilizar la boquilla de mordazas convergentes para ejes de 3mm vendida separadamente por su Agente Autorizado HiKOKI como un accesorio por opción.

## MANTENIMIENTO E INSPECCIÓN

### 1. Inspección de la muela

Cerciorarse de que la muela no tenga ranuras ni defectos en la superficie.

### 2. Inspeccionar los tornillos de montaje

Regularmente inspeccionar todos los tornillos de montaje y asegurarse de que estén apretados firmemente. Si cualquier tornillo estuviera suelto, volver a apretarlo inmediatamente. El no hacer esto provocaría un riesgo serio.

### 3. Mantenimiento de motor

La unidad de bobinado del motor es el verdadero "corazón" de las herramientas eléctricas. Prestar el mayor cuidado a asegurarse de que el bobinado no se dañe y/o se humedezca con aceite o agua.

### 4. Inspección de escobillas de carbón (Fig. 4)

El motor emplea carbones de contacto que son partes consumibles. Como un carbón de contacto excesivamente desgastado podría dar problemas al motor, reemplazar el carbón de contacto por uno nuevo, que tenga el mismo número mostrado en la figura, cuando se haya desgastado o esté cerca del límite de uso. Adicionalmente, mantener siempre los carbones de contacto limpios y asegurarse de que corran libremente dentro de los sujetadores de carbón.

### 5. Reemplazar el carbón de contacto (Fig. 5)

<Desmontaje>

- (1) Afloje el tornillo autorroscante D4 que sujeta la cubierta de la cola y desmonte ésta.
- (2) Emplee la llave macho hexagonal auxiliar o un pequeño destornillador para tirar del borde del resorte helicoidal que empuja hacia abajo el carbón de contacto. Extraiga el dorde del resorte hacia afuera el soporte del carbón de contacto.
- (3) Extraiga la sección del soporte carbón de contacto en la sección del terminal del soporte del carbón de contacto y después extraiga el carbón de contacto de su soporte.

<Montaje>

- (1) Inserte el extremo del conductor helicoidal del carbón de contacto en la sección del terminal del soporte del carbón de contacto.
- (2) Inserte el carbón de contacto en el soporte del mismo.
- (3) Emplee la llave macho hexagonal auxiliar o un pequeño destornillador para devolver el borde del resorte helicoidal hasta la cabeza del carbón de contacto.

#### NOTA:

Asegúrese de que el extremo del resorte no esté enganchado en el cable de conexión flexible.

- (4) Cierre la cubierta de la cola y apriete el tornillo autorroscante D4.

## 6. Lista de repuestos

### PRECAUCIÓN

La reparación, modificación e inspección de las herramientas eléctricas HiKOKI deben ser realizadas por un Centro de Servicio Autorizado de HiKOKI. Esta lista de repuestos será de utilidad si es presentada junto con la herramienta al Centro de Servicio Autorizado de HiKOKI, para solicitar la reparación o cualquier otro tipo de mantenimiento. En el manejo y el mantenimiento de las herramientas eléctricas, se deberán observar las normas y reglamentos vigentes en cada país.

### MODIFICACIONES

HiKOKI Power Tools introduce constantemente mejoras y modificaciones para incorporar los últimos avances tecnológicos.

Por consiguiente, algunas partes pueden ser modificadas sin previo aviso.

## GARANTÍA

Las herramientas motorizadas de HiKOKI incluye una garantía conforme al reglamento específico legal/nacional. Esta garantía no cubre los defectos o daños debidos al uso incorrecto, el abuso o el desgaste normal. En caso de reclamación, envíe la herramienta motorizada, sin desmontar y con el CERTIFICADO DE GARANTÍA que aparece al final de estas instrucciones de uso, al Centro de Servicio Autorizado de HiKOKI.

### OBSERVACIÓN:

Debido al programa continuo de investigación y desarrollo de HiKOKI estas especificaciones están sujetas a cambio sin previo aviso.

### Información sobre el ruido propagado por el aire y vibración

Los valores medidos se determinaron de acuerdo con EN60745 declararon de conformidad con ISO 4871.

Nivel de potencia auditiva ponderada A: 94 dB (A)

Nivel de presión auditiva ponderada A: 83 dB (A)

Duda KpA: 3 dB (A)

Utilice protecciones auriculares.

Valores totales de la vibración (suma de vectores triax.) determinados de acuerdo con EN60745.

Pulido de superficies:

Valor de emisión de la vibración  $a_{h, SG} = 2,6 \text{ m/s}^2$

Incertidumbre K = 1,5 m/s<sup>2</sup>

### ADVERTENCIA

- El valor de emisión de la vibración durante la utilización de la herramienta eléctrica puede ser diferente del valor declarado dependiendo de las formas de utilización de la herramienta.

- Para identificar las medidas seguras para proteger al operario basadas en una estimación de exposición en las condiciones reales de uso (teniendo en cuenta todas las partes del ciclo de funcionamiento como tiempos cuando la herramienta está apagada y cuando funciona lentamente además del tiempo de activación).

## AVISOS GERAIS DE SEGURANÇA PARA A FERRAMENTA ELÉCTRICA

### ⚠ AVISO

Leia todas as instruções e avisos de segurança.

Se não seguir todas as instruções e os avisos, pode provocar um choque eléctrico, incêndio e/ou ferimentos graves.

Guarde todos os avisos e instruções para referência futura. O termo “ferramenta eléctrica” em todos os avisos refere-se à sua ferramenta ligada à corrente (com fios) ou à ferramenta eléctrica a baterias (sem fios).

#### 1) Segurança da área de trabalho

- Mantenha a área de trabalho limpa e bem iluminada.**  
*As áreas escuras ou cheias de material são propícias aos acidentes.*
- Não trabalhe com ferramentas eléctricas em ambientes explosivos, tais como na presença de líquidos inflamáveis, gases ou pó.**  
*As ferramentas eléctricas criam faíscas que podem inflamar o pó dos fumos.*
- Mantenha as crianças e outras pessoas afastadas quando trabalhar com uma ferramenta eléctrica.**  
*As distrações podem fazer com que perca controlo.*

#### 2) Segurança eléctrica

- As fichas da ferramenta eléctrica devem corresponder às tomadas. Nunca modifique a ficha. Não utilize fichas adaptadoras com ferramentas eléctricas ligadas à terra.**  
*As fichas não modificadas e tomadas correspondentes reduzirão o risco de choques eléctricos.*
- Evite contacto corporal com superfícies ligadas à terra, tais como tubos, radiadores, máquinas e frigoríficos.**  
*Existe um risco acrescido de choque eléctrico se o seu corpo estiver ligado à terra.*
- Não exponha ferramentas eléctricas à chuva ou condições de humidade.**  
*A entrada de água numa ferramenta eléctrica aumentará o risco de choques eléctricos.*
- Não abuse do fio. Nunca utilize o fio para transportar, puxar ou desligar a ferramenta eléctrica. Mantenha o fio afastado do calor, óleo, margens afiadas ou peças em movimento.**  
*Os fios danificados ou entrelaçados podem aumentar o risco de choques eléctricos.*
- Quando trabalhar com uma ferramenta eléctrica no exterior, utilize uma extensão adequada para utilização exterior.**  
*A utilização de um fio adequado para utilização no exterior reduz o risco de choques eléctricos.*
- Se não for possível evitar a utilização de uma máquina eléctrica num local húmido, utilize uma fonte de alimentação protegida por um dispositivo de corrente residual (RCD).**  
*A utilização de um RCD reduz o risco de choque eléctrico.*

#### 3) Segurança pessoal

- Mantenha-se alerta, esteja atento ao que está a fazer e utilize senso comum quando trabalhar com uma ferramenta eléctrica. Não utilize uma ferramenta eléctrica quando estiver cansado ou sob a influência de drogas, álcool ou medicamentos.**  
*Um momento de desatenção enquanto trabalha com ferramentas eléctricas pode resultar em ferimentos pessoais graves.*

- Utilize equipamento de protecção pessoal. Utilize sempre protecção para os olhos.**  
*O equipamento de protecção, tal como uma máscara de pó, sapatos de segurança anti-derrapantes, chapéu rígido ou protecção auricular utilizados para condições adequadas reduzirá os ferimentos pessoais.*
  - Evite ligar por acidente. Certifique-se de que o interruptor está na posição de desligado antes de ligar a fonte de alimentação e/ou bateria, levantar ou transportar a ferramenta.**  
*Transportar ferramentas eléctricas com o dedo no interruptor ou activar ferramentas que estão com o interruptor ligado é propício a acidentes.*
  - Remova qualquer chave de parafusos ou chave-inglesa de regulação antes de ligar a ferramenta.**  
*Uma chave-inglesa ou de parafusos ligada à parte rotativa da ferramenta pode provocar ferimentos pessoais.*
  - Não se estique. Mantenha sempre o controlo e equilíbrio adequados.**  
*Isto permite obter um melhor controlo da ferramenta em situações inesperadas.*
  - Use vestuário adequado. Não use roupas largas ou jóias. Mantenha o cabelo, roupas e luvas afastados das peças móveis.**  
*As roupas largas, jóias ou cabelo comprido podem ser apanhados em peças móveis.*
  - Se forem fornecidos dispositivos para a ligação de extractores de pó e dispositivos de recolha, certifique-se de que estes estão ligados e são utilizados adequadamente.**  
*A utilização de uma recolha de pó pode reduzir os perigos relacionados com o pó.*
- #### 4) Utilização da ferramenta e manutenção
- Não force a ferramenta eléctrica. Utilize a ferramenta correcta para a sua aplicação.**  
*A ferramenta correcta fará o trabalho melhor e com mais segurança à velocidade para a qual foi concebida.*
  - Não utilize a ferramenta eléctrica se o interruptor não a ligar ou desligar.**  
*Qualquer ferramenta que não possa ser controlada com o interruptor é perigosa e deve ser reparada.*
  - Desligue a ficha da rede antes e/ou a bateria da ferramenta eléctrica antes de efectuar quaisquer regulações, mudar os acessórios ou guardar ferramentas eléctricas.**  
*Tais medidas de segurança de prevenção reduzem o risco de ligar a ferramenta eléctrica acidentalmente.*
  - Guarde as ferramentas eléctricas fora do alcance de crianças e não permita que pessoas não habituadas à ferramenta eléctrica ou estas instruções trabalhem com a ferramenta.**  
*As ferramentas eléctricas são perigosas nas mãos de utilizadores inexperientes.*
  - Efectue a manutenção de ferramentas eléctricas. Verifique a existência de desalinhamentos ou dobragens das peças móveis, quebras de peças e quaisquer outras condições que possam afectar o funcionamento das ferramentas eléctricas. Se danificada, mande reparar a ferramenta antes de utilizar.**  
*Muitos acidentes são causados por ferramentas com má manutenção.*
  - Mantenha as ferramentas de corte afiadas e limpas.**  
*As ferramentas de corte com uma manutenção adequada e extremidades afiadas são menos propensas a dobrar e mais fáceis de controlar.*

- g) Utilize a ferramenta eléctrica, acessórios e pontas de ferramentas, etc., de acordo com estas instruções, tomando em consideração as condições de trabalho e o trabalho a ser efectuado.

*A utilização de uma ferramenta eléctrica para operações diferentes das concebidas pode resultar num mau funcionamento.*

## 5) Manutenção

- a) Faça a manutenção da sua ferramenta eléctrica por um pessoal de reparação qualificado e utilize apenas peças de substituição idênticas.

*Isto garantirá que a segurança da ferramenta eléctrica é mantida.*

## AVISO

Mantenha afastadas das crianças e pessoas doentes. Quando não estiverem a ser utilizadas, as ferramentas devem ser guardadas fora do alcance de crianças e pessoas doentes.

## AVISOS DE SEGURANÇA COMUNS PARA OPERAÇÕES DE REBARBAÇÃO

- a) Esta ferramenta eléctrica foi concebida para funcionar como rectificadora direita. Leia todos os avisos de segurança, instruções, ilustrações e especificações que acompanham esta ferramenta eléctrica.

*O não seguimento de todas as instruções apresentadas abaixo pode resultar em choque eléctrico, incêndio e/ou ferimentos graves.*

- b) Não é recomendada a utilização desta máquina eléctrica para operações como lixagem, limpeza com escova metálica, polimento ou corte.

*As operações para as quais a máquina eléctrica não foi concebida podem criar perigo e causar ferimentos.*

- c) Não utilize acessórios que não sejam especificamente concebidos e recomendados pelo fabricante da ferramenta.

*O facto de um acessório se adaptar à ferramenta eléctrica não é garantia de uma operação segura.*

- d) A velocidade nominal do acessório deve ser, pelo menos, igual à velocidade máxima marcada na ferramenta eléctrica.

*A utilização dos acessórios a velocidades mais rápidas que a sua velocidade nominal pode fazer com que estes partam e sejam projectados.*

- e) O diâmetro exterior e a espessura do acessório devem estar dentro da capacidade nominal da ferramenta eléctrica.

*Os acessórios de tamanho incorrecto não podem ser devidamente protegidos ou controlados.*

- f) O tamanho do eixo de discos, frisos, discos de respaldo, ou de qualquer outro acessório, deve encaixar devidamente no eixo da ferramenta eléctrica.

*Os acessórios com orifícios de eixo que não encaixem no hardware de montagem da ferramenta eléctrica irão causar desequilíbrio, vibrar excessivamente e podem levar à perda de controlo.*

- g) Não utilize um acessório danificado. Antes de cada utilização, proceda à inspecção de acessórios, como discos abrasivos relativamente a lascas e fissuras, disco de respaldo em relação a fissuras, desgaste ou utilização excessiva, escova metálica em termos

de fios soltos ou partidos. Caso deixe cair a ferramenta eléctrica ou um acessório, proceda à inspecção relativamente a danos ou à instalação de um acessório não danificado. Após a inspecção e instalação de um acessório, mantenha-se afastado do plano do acessório rotativo e coloque a ferramenta eléctrica a trabalhar à velocidade máxima sem carga, durante um minuto.

*Normalmente, os acessórios danificados partem-se no decorrer deste teste.*

- h) Use equipamento de protecção pessoal. Consoante a aplicação, use protecção facial, luvas ou óculos de segurança. Conforme apropriado, use uma máscara de pó, protectores auriculares, luvas e avental de protecção, capaz de proteger contra pequenos fragmentos abrasivos ou peças.

*A protecção para os olhos deve conseguir reter fragmentos projectados, gerados por diversas operações. A máscara de pó ou respirador devem ser capazes de filtrar partículas geradas durante a operação. A exposição prolongada a ruídos de grande intensidade pode causar perda de audição.*

- i) As pessoas que se encontrem por perto devem ser mantidas a uma distância de segurança. Qualquer pessoa que entre na área de trabalho deve usar equipamento de protecção pessoal.

*Fragmentos de peças ou de acessórios partidos podem ser projectados e causar ferimentos além da área imediata de operação.*

- j) Agarre a ferramenta eléctrica somente pelas superfícies isoladas ao realizar uma operação em que o acessório de corte possa conter fios ocultos ou o seu próprio cabo.

*O acessório de corte, em contacto com um fio com corrente, pode passar corrente para as partes metálicas expostas da ferramenta eléctrica e dar choque ao operador.*

- k) Coloque o cabo afastado do acessório rotativo. Caso perca o controlo, o cabo pode ser cortado ou puxado e a sua mão ou braço podem ser puxados para o acessório rotativo.

- l) Nunca pouse a ferramenta de corte até que o acessório esteja completamente imobilizado.

*O acessório rotativo pode agarrar a superfície e puxar a ferramenta eléctrica para fora do seu controlo.*

- m) Não coloque a ferramenta eléctrica em funcionamento enquanto a transporta ao seu lado.

*O contacto acidental com o acessório rotativo pode agarrar a sua roupa, puxando o acessório para o seu corpo.*

- n) Limpe regularmente os respiradouros da ferramenta eléctrica.

*A ventoinha do motor irá sugar o pó para dentro do alojamento e a acumulação excessiva de metal em pó pode causar perigo eléctrico.*

- o) Não opere a ferramenta eléctrica perto de materiais inflamáveis.

*As faíscas podem acender esses materiais.*

- p) Não utilize acessórios que requeiram líquidos de refrigeração.

*A utilização de água ou de outros líquidos de refrigeração pode causar electrocussão ou choque.*

## REACÇÃO ENERGÉTICA E AVISOS RELAÇÃOADOS

A *reacção energética* é uma reacção repentina a um disco rotativo, disco de respaldo, escova ou qualquer outro acessório que seja apertado ou puxado. A acção de apertar ou puxar causa um rápido retardamento do acessório rotativo, o que, por sua vez, faz com que a ferramenta eléctrica não controlada seja forçada na direcção oposta da rotação do acessório no ponto de ligação.

Por exemplo, se um disco abrasivo for puxado ou apertado pela peça a ser trabalhada, o limite do disco que entra no ponto de aperto pode penetrar na superfície do material, fazendo com que o disco caia ou seja expellido. Consoante a direcção do movimento do disco no ponto de aperto, este pode ser projectado em direcção ao operador ou para longe dele. Os discos abrasivos podem também partir sob estas condições.

A *reacção energética* é o resultado da má utilização da ferramenta eléctrica e/ou de procedimentos ou condições de operação incorrectos, podendo ser evitada se forem tomadas as devidas precauções, conforme descritas abaixo.

**a) Segure bem a ferramenta eléctrica e posicione o seu corpo e braço de forma que permita resistir a forças de reacção energética. Use sempre a pega auxiliar, se fornecida, para o máximo controlo de reacções energéticas ou de torção durante o início da operação.**

*Caso sejam tomadas as devidas precauções, é possível ao operador controlar as reacções de torção ou as forças energéticas.*

**b) Nunca colocar a mão perto do acessório rotativo. O acessório pode ter uma reacção energética para a sua mão.**

**c) Não posicione o corpo na área onde a ferramenta eléctrica se irá movimentar na eventualidade de reacção energética.**

*A reacção energética irá propelir a ferramenta na direcção oposta ao movimento do disco no ponto de aperto.*

**d) Tenha cuidados redobrados ao trabalhar cantos, margens afiadas, etc. Evite oscilar ou apertar o acessório.**

*Cantos, margens afiadas ou oscilação têm tendência a apertar o acessório rotativo e causar perda de controlo ou reacção energética.*

**e) Não utilize uma lâmina de entalhe ou lâmina dentada para serra.**

*Tais lâminas criam, frequentemente, reacções energéticas e perda de controlo.*

## AVISOS DE SEGURANÇA ESPECÍFICOS PARA OPERAÇÕES DE REBARBAÇÃO

**a) Use somente tipos de disco recomendados para a ferramenta eléctrica e a protecção específica concebida para o disco seleccionado.**

*Os discos para os quais a ferramenta eléctrica não foi concebida não poderão ser adequadamente protegidos e não são seguros.*

**b) Os discos devem ser utilizados somente para as aplicações recomendadas. Por exemplo: não rebarbe com o lado do disco de corte.**

*Os discos de corte abrasivo são concebidos para rebarbação periférica, as forças laterais aplicadas a estes discos podem fazê-los partir.*

**c) Utilize sempre frisos de disco não danificados, de tamanho e forma apropriados para o disco seleccionado.**

*Frisos de disco adequados suportam o disco, reduzindo assim a possibilidade deste partir. Os frisos para discos de corte podem ser diferentes daqueles para discos de rebarbação.*

**d) Não utilize discos gastos de ferramentas eléctricas maiores.**

*Os discos concebidos para ferramentas eléctricas maiores não são adequados para a maior velocidade de uma ferramenta mais pequena e podem rebentar.*

## INSTRUÇÕES DE SEGURANÇA GERAIS PARA RECTIFICADORAS

- Verifique se a velocidade marcada no disco é igual ou superior à velocidade nominal da rectificadora;
- Certifique-se de que as dimensões do disco são compatíveis com a rectificadora;
- Os discos abrasivos devem ser guardadas e manuseadas com cuidado, de acordo com as instruções do fabricante;
- Inspeccione o disco rectificador antes de utilizar, não utilize produtos lascados, rachados ou defeituosos;
- Certifique-se de que os discos e pontos são instalados de acordo com as instruções do fabricante;
- Certifique-se de que são utilizados mata-borrões quando forem fornecidos com o produto soldado abrasivo e quando forem necessários;
- Certifique-se de o produto abrasivo está correctamente instalado e apertado antes de utilizar e coloque a ferramenta a funcionar sem carga durante 30s numa posição segura e pare imediatamente se existirem vibrações consideráveis ou se forem detectados outros detectores. Se esta condição ocorrer, verifique a máquina para determinar a causa;
- Se a ferramenta for instalada com uma protecção, nunca utilize a ferramenta sem uma protecção;
- Não utilize casquilhos ou adaptadores de redução para adaptar a discos abrasivos com orifícios de grandes dimensões;
- Para as ferramentas que se destinem a serem utilizadas com um orifício roscado, certifique-se de que a rosca no disco é suficientemente comprida para aceitar o comprimento do veio;
- Verifique se a peça de trabalho está correctamente apoiada;
- Não utilize uma roda de corte para rectificação lateral;
- Certifique-se de que as faíscas resultantes da utilização não constituem um perigo, por exemplo, não atingem pessoas ou inflamam substâncias inflamáveis.
- Certifique-se de que as aberturas de ventilação estão desobstruídas em situações de muito pó, caso seja necessário limpar o pó, desligue primeiro a ferramenta da fonte de alimentação (utilize objectos não metálicos) e evite danificar as peças internas;

- Utilize sempre protecção para os olhos e ouvidos. Deve ser usado outros equipamentos de protecção, tais como máscaras para pó, luvas, capacetes e aventais;
- Tome atenção ao disco que continua a rodar após a ferramenta ter sido desligada.

## ESPECIFICAÇÕES

Voltagem (por áreas)*	(110V, 120V, 127V, 220V, 230V, 240V) ~
Potência de entrada*	520 W
Rotação sem carga*	29000 min <sup>-1</sup>
Diâmetro máximo da roda*	25 mm
Capacidade do mandril de colar**	6 mm
Peso (sem fio)	1,7 kg

\* Não deixe de verificar a voltagem na placa identificadora constante do produto, pois ela está sujeita a mudanças conforme a área.

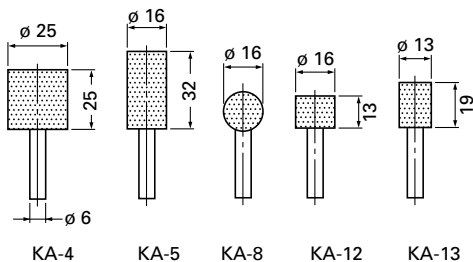
\*\* Varia dependendo da área.

## ACESSÓRIOS PADRÃO

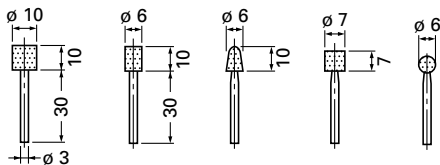
- (1) Chave inglesa (17 mm) ..... 1
  - (2) Chave inglesa (12 mm) ..... 1
  - (3) Pega lateral (Não incluída em todas as regiões) ... 1
- Os acessórios-padrão estão sujeitos a mudanças sem aviso prévio.

## ACESSÓRIOS OPCIONAIS (vendidos separadamente)

- Mandril de colar  
para eixo de 3mm  
para eixo de 3,175mm (1/8")  
para eixo de 6,35mm (1/4")  
para eixo de 8mm  
Dimensões e métodos de manuseio diferentes dos de furo de eixo são os mesmos dos do mandril de colar de 6mm.
- Rodas com eixo de 6mm  
Todas as rodas são fornecidas com granulação WA, 60 nivelamentos e ligações P e são apropriadas para retificar materiais em geral e especiais de aço.



- Rodas com eixo de 3 mm  
Todas as rodas são fornecidas com granulação WA, 80 nivelamentos e ligações P e são apropriadas para retificar materiais em geral e especiais de aço.



KA-20 KC-20 KC-22 KC-23 KC-24

- Desbastador
- Estojo

Os acessórios opcionais estão sujeitos a mudanças sem aviso prévio.

## APLICAÇÕES

- Acabamento de matrizes para trabalho de prensa, estampagem e moldagem.
- Acabamento de matrizes de abertura de roscas, ferramentas e outras peças pequenas.
- Retificação interna de ferramentas e peças de máquina.

## ANTES DA OPERAÇÃO

- 1. Fonte de energia**  
Certifique-se de que a fonte de energia a ser utilizada está conforme às exigências especificadas na placa identificadora do produto.
- 2. Interruptor**  
Certifique-se de que o interruptor está na posição desligada. Se o plugue estiver conectado a um receptáculo quando o interruptor estiver ligado, a ferramenta elétrica vai começar a operar imediatamente, podendo provocar um grave acidente.
- 3. Cabo de extensão**  
Quando o local de trabalho não possuir uma fonte de energia, utilize um cabo de extensão de espessura e de potência nominal suficientes. A extensão deve ser mantida tão curta quanto possível.



#### 4. Instalação da roda

Instale a roda de maneira que o comprimento  $\ell$  seja menor que 15mm.

Se  $\ell$  for maior, pode ocorrer uma vibração anormal e a máquina além de ser afetada negativamente pode ocorrer um acidente grave. Faça  $\ell$  o menor possível.

Quando  $d = 6\text{mm}$ ,  $6,35\text{mm}$  ( $1/4''$ ),  $8\text{mm}$ ,  $D$  da roda deve ser menor que  $25\text{mm}$ . Se for utilizada uma roda com  $D$  maior que  $25\text{mm}$ , a velocidade da circunferência excede o limite de segurança e a roda quebrará. Não use nunca uma roda dessas. A distância  $L$  varia para  $D$ . Determine  $L$ , consultando a tabela abaixo.

Quando  $d = 3\text{mm}$ ,  $3,175\text{mm}$  ( $1/8''$ ),  $D$  deve ser menor que  $10\text{mm}$ . Determine  $L$ , consultando a tabela abaixo.

(onder  $\ell = 15\text{mm}$ )

d	3 mm, 3,175 mm (1/8")				6 mm, 6,35 mm (1/4")				8 mm
D	5 mm	6 mm	8 mm	10 mm	13 mm	16 mm	20 mm	25 mm	25 mm
L	10 mm	13 mm	16 mm	13 mm	40 mm	40 mm	25 mm	25 mm	32 mm

#### 5. Utilizar a pega lateral (Fig. 3)

Certifique-se de que utiliza a pega lateral para evitar o risco de choques eléctricos graves.

Coloque a pega lateral na máquina da seguinte forma:

- (1) Solte o punho da pega lateral e introduza a pega lateral ao nariz do suporte da máquina, da flange da manga da pega lateral.
- (2) Coloque a pega lateral numa posição que esteja preparada para a operação e, de seguida, aperte bem o punho da pega lateral.

### MODO DE USAR

#### 1. Operação de ligar e desligar

- (1) Ao mover a alavanca do interruptor para a direita (lado ON), a corrente passa; ao fazê-lo para a esquerda (lado OFF), a corrente é desligada.
- (2) Quando a ferramenta é ligada pela primeira vez depois de instalada a nova roda, segure a retificadora longe do seu corpo para evitar qualquer perigo de a roda se estilhaçar devido a uma imperfeição.
- (3) Antes de iniciar a operação, teste a máquina com a roda apontando numa direção segura.

As rodas podem ser simplesmente presas e destacadas usando as duas chaves inglesas. (Fig. 2).

#### NOTA:

- Não aperte o mandril de colar inserindo um eixo mais delgado que o diâmetro do eixo comum (6 mm) no mandril ou numa situação vazia. Esta prática danifica o mandril de colar.
- Ao instalar um roda com eixo, aperte o mandril de colar depois de aplicar uma pequena quantidade de óleo de eixo (ou óleo de máquina de costura) na parte cônica indicada na Fig. 1.

#### 2. Precauções durante a operação

- (1) Pressione levemente a roda sobre o material a ser retificado. Ao retificar materiais, é necessário uma rotação de alta velocidade. Use uma retificadora de mão com rotação de alta velocidade, minimizando a força de pressão.
- (2) Desbaste da roda  
Depois de prender a roda, corrija o desvio do centro da roda usando um desbastador. Se o centro da roda estiver fora do centro, não apenas o acabamento não será feito, mas a vibração da retificadora aumenta, diminuindo a precisão do trabalho e a durabilidade.  
Uma roda bloqueada ou desgastada estragará o acabamento da superfície ou diminuirá a eficiência do trabalho. Vez por outra desbaste a roda aplicando nela o desbastador.

### MÉTODO DE SELEÇÃO DA RODA

Os tipos de roda variam conforme os materiais a serem retificados. Selecione uma roda apropriada para o material a ser retificado.

A tabela que se segue fornece uma visão geral das rodas e dos materiais a serem retificados.

Materiais a serem retificados	Grão	Nivelamento	Grau de ligação	Estrutura	Agente de ligação
Aço doce, aço duro, aço forjado	WA	60-80	P	m	V
Ferro fundido	C	36	M-O	m	V
Latão, bronze, alumínio	C	36	J-K	m	V
Cerâmica	WA	60-80	M	m	V
Resina sintética	C	36	K-M	m	V

Rodas de pequena escala com eixos são preparadas para retificar pequenas superfícies. Suas dimensões e formas são mostradas em "ACESSÓRIOS OPCIONAIS". Como o diâmetro do eixo da roda é de 3mm, use o mandril de colar para o eixo de 3mm vendido separadamente pelo seu revendedor HiKOKI como acessório opcional.

## MANUTENÇÃO E INSPEÇÃO

### 1. Inspeção da roda

Certifique-se de que a roda está livre de rachaduras e defeitos na sua superfície.

### 2. Inspeção dos parafusos de montagem

Inspeção regularmente todos os parafusos de montagem e se certifique de que estão corretamente apertados. Se algum deles estiver frouxo, reaperte-o imediatamente. Caso isso não seja feito, pode resultar em perigo grave.

### 3. Manutenção do motor

A unidade de enrolamento do motor é o verdadeiro "coração" da ferramenta elétrica. Cuide bem para assegurar que o enrolamento não se danifique e/ou se molhe com óleo ou água.

### 4. Inspeção das escovas de carvão (Fig. 4)

O motor emprega escovas de carvão que são peças de consumo. Como uma escova de carvão excessivamente desgastada pode provocar problemas no motor, troque-a por uma nova que tenha o mesmo número mostrado na ilustração. Além disso, mantenha as escovas de carvão sempre limpas e certifique-se de que elas deslizam livremente nos suportes de escova.

### 5. Troca de uma escova de carvão (Fig. 5)

<Desmontagem>

- (1) Desaperte o parafuso de fixação D4 que retém a tampa da ponta e retire-a.
- (2) Utilize a chave sextavada auxiliar ou uma chave de fenda pequena para empurrar a borda da mola que está pressionando para baixo a escova de carvão. Retire a ponta da mola em direção à parte externa do suporte de escova.
- (3) Tire a ponta do rabicho da escova de carvão da parte final do suporte de escova e, então, retire a escova de carvão do seu suporte.

<Montagem>

- (1) Insira a ponta do rabicho da escova de carvão na parte final do suporte de escova.
- (2) Insira a escova de carvão no suporte de escova.
- (3) Utilize uma chave sextavada auxiliar ou uma chave de fenda pequena para recolocar a ponta da mola na cabeça da escova de carvão.

#### NOTA:

Certifique-se de que a mola não está a segurar o cabo enrolado.

- (4) Monte a tampa da ponta e aperte o parafuso de fixação D4.

### 6. Lista de peças para conserto

#### CUIDADO

Consertos, modificações e inspeção de Ferramentas Elétricas da HiKOKI devem ser realizados por uma Oficina Autorizada da HiKOKI.

Esta lista de peças pode ser útil se apresentada com a ferramenta na Oficina Autorizada da HiKOKI ao solicitar conserto ou manutenção.

Na operação e na manutenção das ferramentas elétricas, devem-se observar as normas de segurança e os padrões prescritos por cada país.

#### MODIFICAÇÃO

As Ferramentas Elétricas da HiKOKI estão sempre sendo aperfeiçoadas e modificadas para incorporar os mais recentes avanços tecnológicos.

Dessa forma, algumas peças podem mudar sem aviso prévio.

## GARANTIA

Garantimos que a HiKOKI Power Tools obedece às respectivas normas específicas estatutárias/de país. Esta garantia não cobre avarias ou danos derivados de má utilização, abuso ou desgaste normal. Em caso de queixa, envie a Ferramenta, não desmontada, juntamente com o CERTIFICADO DE GARANTIA que se encontra no fundo destas instruções de utilização, para um Centro de Serviço Autorizado HiKOKI.

#### NOTA:

Devido ao contínuo programa de pesquisa e desenvolvimento da HiKOKI, as especificações aqui contidas estão sujeitas a mudanças sem aviso prévio.

#### Informação a respeito de ruídos e vibração do ar

Os valores medidos foram determinados de acordo com a EN60745 e declarados em conformidade com a ISO 4871.

Nível de potência sonora ponderada A medida: 94 dB (A)

Nível de pressão sonora ponderada A medida: 83 dB (A)

Imprecisão KpA: 3 dB (A)

Use proteção auditiva.

Os valores totais da vibração (soma do vector triax) são determinados de acordo com a norma EN60745.

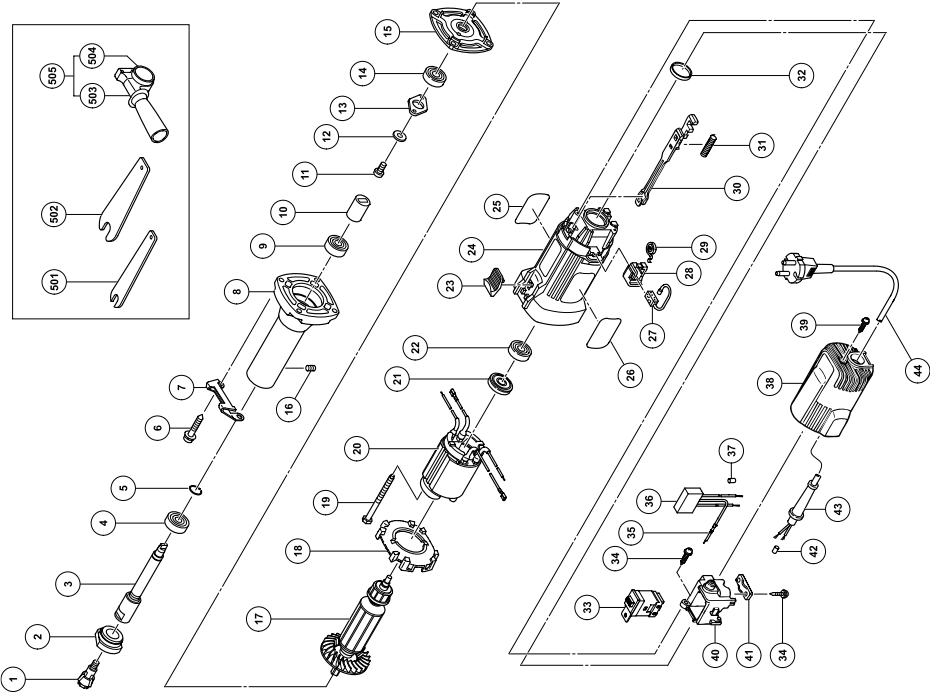
Rectificação de superfícies:

Valor de emissão de vibrações  $a_{h, SG} = 2,6 \text{ m/s}^2$

Incerteza de  $K = 1,5 \text{ m/s}^2$

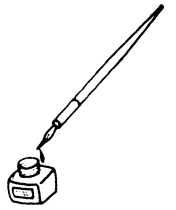
#### AVISO

- O valor de emissão de vibrações durante a utilização da ferramenta eléctrica pode ser diferente do valor declarado, consoante as formas de utilização da ferramenta.
- Para identificar as medidas de segurança para proteger o operador, que são baseadas numa estimativa de exposição nas actuais condições de utilização (tendo em conta todas as partes do ciclo de funcionamento, tais como os tempos em que a ferramenta é desligada e quando está a funcionar ao ralenti, além do tempo de accionamento do gatilho).



Item No.	Part Name	QTY
1	COLLET CHUCK 6MM	1
2	BEARING LID (B)	1
3	SPINDLE	1
4	BALL BEARING 6001VVCMP52L	1
5	RING	1
6	TAPPING SCREW (W/SP. WASHER) D5x30	4
7	GUARD PLATE	1
8	NOSE BRACKET	1
9	BALL BEARING 6000VVCMP52L	1
10	COUPLING	1
11	MACHINE SCREW M4x10	2
12	SPRING WASHER M4	2
13	BEARING COVER	1
14	BALL BEARING 608VVC2	1
15	INNER COVER	1
16	HEX. SOCKET SET SCREW M4x4	1
17	ARMATURE	1
18	FAN GUIDE	1
19	HEX. HD. TAPPING SCREW D4x70	2
20	STATOR	1C
21	DUST SEAL	1
22	BALL BEARING 608VVC2	1
23	SLIDE SWITCH KNOB	1
24	HOUSING	1
25	NAME PLATE	1
26	BRAND LABEL	1
27	CARBON BRUSH	2
28	BRUSH HOLDER	2
29	SPRING	2
30	SLIDE BAR	1
31	SPRING	1
32	RUBBER RING	1
33	SLIDE SWITCH	1
34	TAPPING SCREW (W/FLANGE) D4x16	3
35	EARTH TERMINAL	1
36	NOISE SUPPRESSOR	1
37	TUBE (D)	2
38	TAIL COVER	1
39	TAPPING SCREW (W/FLANGE) D4x16	1
40	SWITCH HOLDER	1

Item No.	Part Name	QTY
41	CORD CLIP	1
42	TUBE (D)	2
43	CORD ARMOR	1
44	CORD	1
501	WRENCH 12MM	1
502	WRENCH 17MM	1
503	SIDE HANDLE	1
504	FLANGED SLEEVE	1
505	SIDE HANDLE SLEEVE ASSY	1



<p>English</p> <p style="text-align: center;"><b><u>GUARANTEE CERTIFICATE</u></b></p> <ol style="list-style-type: none"> <li>① Model No.</li> <li>② Serial No.</li> <li>③ Date of Purchase</li> <li>④ Customer Name and Address</li> <li>⑤ Dealer Name and Address (Please stamp dealer name and address)</li> </ol>	<p>Nederlands</p> <p style="text-align: center;"><b><u>GARANTIEBEWIJS</u></b></p> <ol style="list-style-type: none"> <li>① Modelnummer</li> <li>② Serienummer</li> <li>③ Datum van aankoop</li> <li>④ Naam en adres van de gebruiker</li> <li>⑤ Naam en adres van de handelaar (Stempel a.u.b. naam en adres vande de handelaar)</li> </ol>
<p>Deutsch</p> <p style="text-align: center;"><b><u>GARANTIESCHEIN</u></b></p> <ol style="list-style-type: none"> <li>① Modell-Nr.</li> <li>② Serien-Nr.</li> <li>③ Kaufdatum</li> <li>④ Name und Anschrift des Kunden</li> <li>⑤ Name und Anschrift des Händlers (Bitte mit Namen und Anschrift des Handlers abstempeln)</li> </ol>	<p>Español</p> <p style="text-align: center;"><b><u>CERTIFICADO DE GARANTIA</u></b></p> <ol style="list-style-type: none"> <li>① Número de modelo</li> <li>② Número de serie</li> <li>③ Fecha de adquisición</li> <li>④ Nombre y dirección del cliente</li> <li>⑤ Nombre y dirección del distribuidor (Se ruega poner el sello del distribuidor con su nombre y dirección)</li> </ol>
<p>Français</p> <p style="text-align: center;"><b><u>CERTIFICAT DE GARANTIE</u></b></p> <ol style="list-style-type: none"> <li>① No. de modèle</li> <li>② No. de série</li> <li>③ Date d'achat</li> <li>④ Nom et adresse du client</li> <li>⑤ Nom et adresse du revendeur (Cachet portant le nom et l'adresse du revendeur)</li> </ol>	<p>Português</p> <p style="text-align: center;"><b><u>CERTIFICADO DE GARANTIA</u></b></p> <ol style="list-style-type: none"> <li>① Número do modelo</li> <li>② Número do série</li> <li>③ Data de compra</li> <li>④ Nome e morada do cliente</li> <li>⑤ Nome e morada do distribuidor (Por favor, carimbe o nome e morada do distribuidor)</li> </ol>
<p>Italiano</p> <p style="text-align: center;"><b><u>CERTIFICATO DI GARANZIA</u></b></p> <ol style="list-style-type: none"> <li>① Modello</li> <li>② N° di serie</li> <li>③ Data di acquisto</li> <li>④ Nome e indirizzo dell'acquirente</li> <li>⑤ Nome e indirizzo del rivenditore (Si prega di apporre il timbro con questi dati)</li> </ol>	



# HIKOKI

①	
②	
③	
④	
⑤	



## **Hikoki Power Tools Deutschland GmbH**

Siemensring 34, 47877 Willich, Germany  
Tel: +49 2154 49930  
Fax: +49 2154 499350  
URL: <http://www.hikoki-powertools.de>

## **Hikoki Power Tools Netherlands B.V.**

Brabanthaven 11, 3433 PJ Nieuwegein, The Netherlands  
Tel: +31 30 6084040  
Fax: +31 30 6067266  
URL: <http://www.hikoki-powertools.nl>

## **Hikoki Power Tools (U.K.) Ltd.**

Precedent Drive, Rooksley, Milton Keynes, MK 13, 8PJ,  
United Kingdom  
Tel: +44 1908 660663  
Fax: +44 1908 606642  
URL: <http://www.hikoki-powertools.uk>

## **Hikoki Power Tools France S.A.S.**

Parc de l'Eglantier 22, rue des Cerisiers, Lisses-C.E. 1541,  
91015 EVRY CEDEX, France  
Tel: +33 1 69474949  
Fax: +33 1 60861416  
URL: <http://www.hikoki-powertools.fr>

## **Hikoki Power Tools Belgium N.V./S.A.**

Koningin Astridlaan 51, B-1780 Wommel, Belgium  
Tel: +32 2 460 1720  
Fax: +32 2 460 2542  
URL: <http://www.hikoki-powertools.be>

## **Hikoki Power Tools Italia S.p.A**


Via Piave 35, 36077, Altavilla Vicentina (VI), Italy  
Tel: +39 0444 548111  
Fax: +39 0444 548110  
URL: <http://www.hikoki-powertools.it>

## **Hikoki Power Tools Ibérica, S.A.**

C/ Puigbarral, 26-28, Pol. Ind. Can Petit, 08227 Terrassa  
(Barcelona), Spain  
Tel: +34 93 735 6722  
Fax: +34 93 735 7442  
URL: <http://www.hikoki-powertools.es>

## **Hikoki Power Tools Österreich GmbH**

IndustrieZentrum NÖ –Süd, Straße 7, Obj. 58/A6 2355  
Wiener Neudorf, Austria  
Tel: +43 2236 64673/5  
Fax: +43 2236 63373  
URL: <http://www.hikoki-powertools.at>

English	Nederlands
<p align="center"><b>EC DECLARATION OF CONFORMITY</b></p> <p>We declare under our sole responsibility that Portable Grinder, identified by type and specific identification code *1), is in conformity with all relevant requirements of the directives *2) and standards *3). Technical file at *4) – See below. The European Standard Manager at the representative office in Europe is authorized to compile the technical file. The declaration is applicable to the product affixed CE marking.</p>	<p align="center"><b>EC VERKLARING VAN CONFORMITEIT</b></p> <p>Wij verklaren onder onze eigen verantwoordelijkheid dat Rechte slijpmachine, geïdentificeerd door het type en de specifieke identificatiecode *1), voldoet aan alle relevante vereisten van de richtlijnen *2) en normen *3). Technische documentatie bij*4) – zie onder. De Europese Normen Manager bij de vertegenwoordiging in Europa is gemachtigd om het technisch dossier samen te stellen. Deze verklaring is van toepassing op producten voorzien van de CE-markeringen.</p>
Deutsch	Español
<p align="center"><b>EG-KONFORMITÄTSERLÄRUNG</b></p> <p>Wir erklären in alleiniger Verantwortung, dass der durch den Typ und den spezifischen Identifizierungscode *1) identifizierte Transportable Schleifer allen einschlägigen Bestimmungen der Richtlinien *2) und Normen *3) entspricht. Technische Unterlagen unter *4) – Siehe unten. Die Leitung der repräsentativen Behörde für europäische Normen und Richtlinien ist berechtigt, die technischen Unterlagen zusammenzustellen. Die Erklärung gilt für die an dem Produkt angebrachte CE-Kennzeichnung.</p>	<p align="center"><b>DECLARACIÓN DE CONFORMIDAD DE LA CE</b></p> <p>Declaramos bajo nuestra única responsabilidad que la Amoladora recta, identificada por tipo y por código de identificación específico *1), está en conformidad con todas las disposiciones correspondientes de las directivas *2) y de las normas *3). Documentación técnica en *4) – Ver a continuación. El Director de Normas Europeas en la oficina de representación en Europa está autorizado para elaborar el expediente técnico. La declaración se aplica al producto con marcas de la CE.</p>
Français	Português
<p align="center"><b>DECLARATION DE CONFORMITE CE</b></p> <p>Nous déclarons sous notre entière responsabilité que la Meuleuse droite, identifiée par le type et le code d'identification spécifique *1) est en conformité avec toutes les exigences applicables des directives *2) et des normes *3). Dossier technique en *4) - Voir ci-dessous. Le Gestionnaire des normes européennes du bureau de représentation en Europe est autorisé à constituer le dossier technique. Cette déclaration s'applique aux produits désignés CE.</p>	<p align="center"><b>DECLARAÇÃO DE CONFORMIDADE CE</b></p> <p>Declaramos, sob nossa única e inteira responsabilidade, que Rectificadora Direita, identificada por tipo e código de identificação específico *1), está em conformidade com todos os requerimentos relevantes das diretivas *2) e normas *3). Ficheiro técnico em *4)– Consulte abaixo. O Gestor de Normas Europeias no escritório de representação na Europa está autorizado a compilar o ficheiro técnico. A declaração aplica-se aos produtos com marca CE.</p>
Italiano	
<p align="center"><b>DICHIARAZIONE DI CONFORMITÀ CE</b></p> <p>Dichiariamo sotto la nostra esclusiva responsabilità che la smerigliatrice portatile, identificata dal tipo e dal codice identificativo specifico *1), è conforme a tutti i requisiti delle direttive *2) e degli standard *3). Documentazione tecnica presso *4) – Vedere sotto. Il gestore delle norme europee presso l'ufficio di rappresentanza in Europa è autorizzato a compilare il fascicolo tecnico. La dichiarazione è applicabile ai prodotti cui sono applicati i marchi CE.</p>	
<p>*1) GP2S2            C339588R C339586M *2) 2006/42/EC, 2014/30/EU, 2011/65/EU *3) EN60745-1:2009+A11:2010 EN60745-2-3:2011+A2:2013+A11:2014+A12:2014+A13:2015 EN55014-1:2006+A1:2009+A2:2011 EN55014-2:1997+A1:2001+A2:2008 EN61000-3-2:2014 EN61000-3-3:2013</p>	
<p>*4) Representative office in Europe <b>Hikoki Power Tools Deutschland GmbH</b> Siemensring 34, 47877 Willich, Germany</p> <p>Head office in Japan <b>Koki Holdings Co., Ltd.</b> Shinagawa Intercity Tower A, 15-1, Konan 2-chome, Minato-ku, Tokyo, Japan</p>	<p>29. 6. 2018 Naoto Yamashiro European Standard Manager</p> <p>29. 6. 2018  A. Nakagawa Corporate Officer</p>

# Koki Holdings Co., Ltd.