

# HITACHI

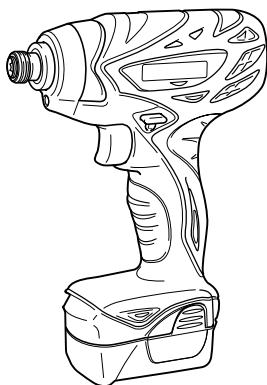
---

**Cordless Impact Driver  
Akku-Schlagschrauber  
Visseuse percussion à batterie  
Avvitatore ad impulso a batteria  
Snoerloze slagschroevendraaier  
Atornillador de impacto a batería  
Aparafusadora com percussão a bateria**

---

## WH 10DFL

---

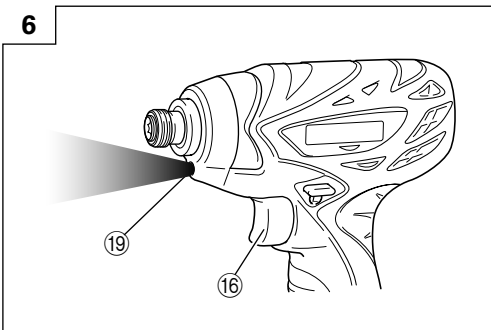
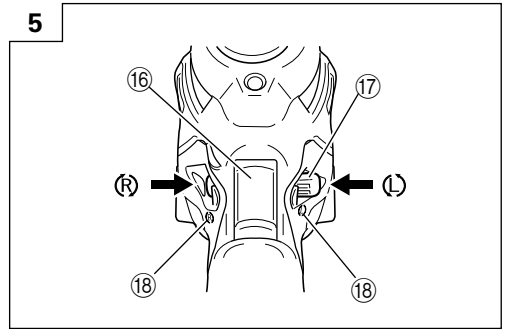
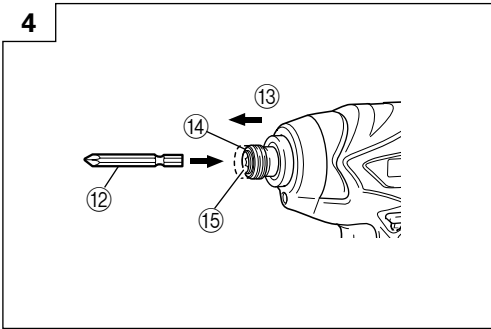
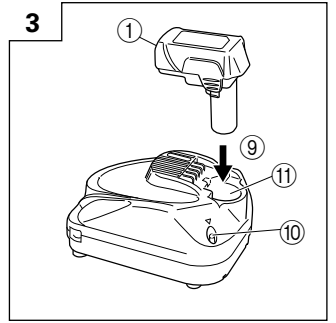
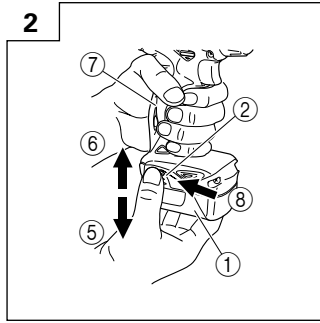
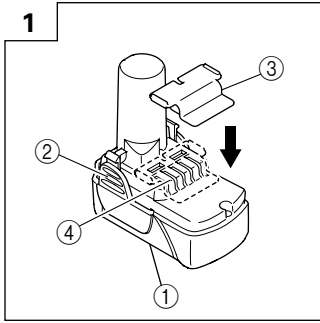


Read through carefully and understand these instructions before use.  
Diese Anleitung vor Benutzung des Werkzeugs sorgfältig durchlesen und verstehen.  
Lire soigneusement et bien assimiler ces instructions avant usage.  
Prima dell'uso leggere attentamente e comprendere queste istruzioni.  
Deze gebruiksaanwijzing s.v.p. voor gebruik zorgvuldig doorlezen.  
Leer cuidadosamente y comprender estas instrucciones antes del uso.  
Antes de usar, leia com cuidado para assimilar estas instruções.

---





Handling instructions  
Bedienungsanleitung  
Mode d'emploi  
Istruzioni per l'uso  
Gebruiksaanwijzing  
Instrucciones de manejo  
Instruções de uso

**Hitachi Koki**



	English	Deutsch	Français	Italiano
①	10.8 V Rechargeable battery	10,8 V aufladbare Batterie	Batterie rechargeable 10,8 V	Batteria ricaricabile da 10,8 V
②	Latch	Verriegelung	Taquet	Fermo
③	Battery cover	Batterieabdeckung	Couvercle de batterie	Coperchio per la batteria
④	Terminals	Anschlüsse	Bornes	Terminali
⑤	Pull out	Herausziehen	Tirer vers l'extérieur	Estrarre
⑥	Insert	Einsetzen	Insérer	Inserire
⑦	Handle	Handgriff	Poignée	Impugnatura
⑧	Push	Drücken	Pousser	Spingere
⑨	Insert	Einsetzen	Insérer	Inserire
⑩	Pilot lamp	Kontrolllampe	Lampe témoin	Spia
⑪	Hole for connecting the rechargeable battery	Anschlußloch für Ladebatterie	Orifice de raccordement de la batterie rechargeable	Foro di collegamento della batteria ricaricabile
⑫	Driver bit	Dreherspitze	Mèche	Testa avvitatrice
⑬	Movement	Bewegung	Mouvement	Movimento
⑭	Guide sleeve	Führungsmanschette	Manchon-guide	Manicotto guida
⑮	Hexagonal hole in the socket	Sechskantloch der Hülse	Orifice hexagonal de la douille	Foro esagonale nella presa
⑯	Trigger switch	Trigger	Déclencheur	Interruttore
⑰	Selector button	Wählhebel	Sélecteur	Selettore
⑱	(R) and (L) marks	(R) und (L) Zeichen	Indices (R) et (L)	Segno (R), (L)
⑲	Light	Licht	Témoin	Luce

	Nederlands	Español	Português
①	10,8 V oplaadbare batterij	Batería recargable de 10,8 V	Bateria recarregável de 10,8 V
②	Vergrendeling	Cierre	Lingüeta
③	Batterijdeksel	Tapa de batería	Tampa da bateria
④	Aansluitpunten	Terminales	Terminais
⑤	Uittrekken	Sacar	Retirar
⑥	Insteken	Insertar	Inserir
⑦	Handgreep	Asidero	Cabo
⑧	Drukken	Presionar	Empurrar
⑨	Insteken	Insertar	Inserir
⑩	Controlelampje	Lámpara piloto	Lâmpada piloto
⑪	Aansluiting voor oplaadbare batterij	Agujero para conectar la batería recargable	Orificio para conectar a batería recarregável
⑫	Schroefstuk	Punta de destornillador	Chave de fenda
⑬	Beweging	Movimiento	Movimento
⑭	Geleide ring	Manguito guía	Manga-guia
⑮	Zeshoekige opening in de aansluiting	Orificio hexagonal en el receptáculo	Orificio sextavado na tomada
⑯	Trekkerschakelaar	Conmutador de gatillo	Interrupção de comando
⑰	Omzetschakelaar	Botón selector	Botão seletor
⑱	(R) en (L) merktekens	Marcas (R) y (L)	Marcas (R) e (L)
⑲	Licht	Luz	Luz

	<p><b>Symbols</b>  <b>⚠ WARNING</b>  The following show symbols used for the machine. Be sure that you understand their meaning before use.</p>	<p><b>Symbole</b>  <b>⚠ WARNING</b>  Die folgenden Symbole werden für diese Maschine verwendet. Achten Sie darauf, diese vor der Verwendung zu verstehen.</p>	<p><b>Symboles</b>  <b>⚠ AVERTISSEMENT</b>  Les symboles suivants sont utilisés pour l'outil. Bien se familiariser avec leur signification avant d'utiliser l'outil.</p>	<p><b>Simboli</b>  <b>⚠ AVVERTENZA</b>  Di seguito mostriamo i simboli usati per la macchina. Assicurarsi di comprenderne il significato prima dell'uso.</p>
	<p><b>Read all safety warnings and all instructions.</b>  Failure to follow the warnings and instructions may result in electric shock, fire and/or serious injury.</p>	<p><b>Lesen Sie sämtliche Sicherheitshinweise und Anweisungen durch.</b>  Wenn die Warnungen und Anweisungen nicht befolgt werden, kann es zu Stromschlag, Brand und/oder ernsthaften Verletzungen kommen.</p>	<p><b>Lire tous les avertissements de sécurité et toutes les instructions.</b>  Tout manquement à observer ces avertissements et instructions peut engendrer des chocs électriques, des incendies et/ou des blessures graves.</p>	<p><b>Leggere tutti gli avvertimenti di sicurezza e tutte le istruzioni.</b>  La mancata osservanza degli avvertimenti e delle istruzioni potrebbe essere causa di scosse elettriche, incendi e/o gravi lesioni.</p>
	<p>Only for EU countries  Do not dispose of electric tools together with household waste material!  In observance of European Directive 2002/96/EC on waste electrical and electronic equipment and its implementation in accordance with national law, electric tools that have reached the end of their life must be collected separately and returned to an environmentally compatible recycling facility.</p>	<p>Nur für EU-Länder  Werfen Sie Elektrowerkzeuge nicht in den Hausmüll!  Gemäss Europäischer Richtlinie 2002/96/EG über Elektro- und Elektronik-Altgeräte und Umsetzung in nationales Recht müssen verbrauchte Elektrowerkzeuge getrennt gesammelt und einer umweltgerechten Wiederverwertung zugeführt werden.</p>	<p>Pour les pays européens uniquement  Ne pas jeter les appareils électriques dans les ordures ménagères!  Conformément à la directive européenne 2002/96/EG relative aux déchets d'équipements électriques ou électroniques (DEEE), et à sa transposition dans la législation nationale, les appareils électriques doivent être collectés à part et être soumis à un recyclage respectueux de l'environnement.</p>	<p>Solo per Paesi UE  Non gettare le apparecchiature elettriche tra i rifiuti domestici.  Secondo la Direttiva Europea 2002/96/CE sui rifiuti di apparecchiature elettriche ed elettroniche e la sua attuazione in conformità alle norme nazionali, le apparecchiature elettriche esauste devono essere raccolte separatamente, al fine di essere reimpiagate in modo eco-compatibile.</p>
	<p><b>Symbolen</b>  <b>⚠ WAARSCHUWING</b>  Hieronder staan symbolen afgebeeld die van toepassing zijn op deze machine. U moet de betekenis hiervan begrijpen voor gebruik.</p>	<p><b>Simbolos</b>  <b>⚠ ADVERTENCIA</b>  A continuación se muestran los símbolos usados para la máquina. Asegúrese de comprender su significado antes del uso.</p>	<p><b>Simbolos</b>  <b>⚠ AVISO</b>  A seguir aparecem os símbolos utilizados pela máquina. Assumile bem seus significados antes do uso.</p>	
	<p><b>Lees alle waarschuwingen en instructies aandachtig door.</b>  Nalating om de waarschuwingen en instructies op te volgen kan in een elektrische schok, brand en/of ernstig letsel resulteren.</p>	<p><b>Lea todas las instrucciones y advertencias de seguridad.</b>  Si no se siguen las advertencias e instrucciones, podría producirse una descarga eléctrica, un incendio y/o daños graves.</p>	<p><b>Leia todas as instruções e avisos de segurança.</b>  Se não seguir todas as instruções e os avisos, pode provocar um choque eléctrico, incêndio e/ou ferimentos graves.</p>	
	<p>Alleen voor EU-landen  Geef elektrisch gereedschap niet met het huisvuil mee!  Volgens de Europese richtlijn 2002/96/EG inzake oude elektrische en elektronische apparaten en de toepassing daarvan binnen de nationale wetgeving, dient gebruikt elektrisch gereedschap gescheiden te worden ingezameld en te worden afgevoerd naar een recycle bedrijf dat voldoet aan de geldende milieu-eisen.</p>	<p>Sólo para países de la Unión Europea  ¡No deseche los aparatos eléctricos junto con los residuos domésticos!  De conformidad con la Directiva Europea 2002/96/CE sobre residuos de aparatos eléctricos y electrónicos y su aplicación de acuerdo con la legislación nacional, las herramientas eléctricas cuya vida útil haya llegado a su fin se deberán recoger por separado y trasladar a una planta de reciclaje que cumpla con las exigencias ecológicas.</p>	<p>Apenas para países da UE  Não deite ferramentas eléctricas no lixo doméstico!  De acordo com a directiva europeia 2002/96/CE sobre ferramentas eléctricas e electrónicas usadas e a transposição para as leis nacionais, as ferramentas eléctricas usadas devem ser recolhidas em separado e encaminhadas a uma instalação de reciclagem dos materiais ecológica.</p>	

**GENERAL POWER TOOL SAFETY WARNINGS****⚠ WARNING**

Read all safety warnings and all instructions.

Failure to follow the warnings and instructions may result in electric shock, fire and/or serious injury.

Save all warnings and instructions for future reference.

The term "power tool" in the warnings refers to your mains-operated (corded) power tool or battery-operated (cordless) power tool.

**1) Work area safety**

- a) **Keep work area clean and well lit.**

*Cluttered or dark areas invite accidents.*

- b) **Do not operate power tools in explosive atmospheres, such as in the presence of flammable liquids, gases or dust.**

*Power tools create sparks which may ignite the dust or fumes.*

- c) **Keep children and bystanders away while operating a power tool.**

*Distractions can cause you to lose control.*

**2) Electrical safety**

- a) **Power tool plugs must match the outlet.**

**Never modify the plug in any way.**

**Do not use any adapter plugs with earthed (grounded) power tools.**

*Unmodified plugs and matching outlets will reduce risk of electric shock.*

- b) **Avoid body contact with earthed or grounded surfaces, such as pipes, radiators, ranges and refrigerators.**

*There is an increased risk of electric shock if your body is earthed or grounded.*

- c) **Do not expose power tools to rain or wet conditions.**

*Water entering a power tool will increase the risk of electric shock.*

- d) **Do not abuse the cord. Never use the cord for carrying, pulling or unplugging the power tool. Keep cord away from heat, oil, sharp edges or moving parts.**

*Damaged or entangled cords increase the risk of electric shock.*

- e) **When operating a power tool outdoors, use an extension cord suitable for outdoor use.**

*Use of a cord suitable for outdoor use reduces the risk of electric shock.*

- f) **If operating a power tool in a damp location is unavoidable, use a residual current device (RCD) protected supply.**

*Use of an RCD reduces the risk of electric shock.*

**3) Personal safety**

- a) **Stay alert, watch what you are doing and use common sense when operating a power tool. Do not use a power tool while you are tired or under the influence of drugs, alcohol or medication.**

*A moment of inattention while operating power tools may result in serious personal injury.*

- b) **Use personal protective equipment. Always wear eye protection.**

*Protective equipment such as dust mask, non-skid safety shoes, hard hat, or hearing protection used for appropriate conditions will reduce personal injuries.*

- c) **Prevent unintentional starting. Ensure the switch is in the off position before connecting to power source and/or battery pack, picking up or carrying the tool.**

*Carrying power tools with your finger on the switch or energising power tools that have the switch on invites accidents.*

- d) **Remove any adjusting key or wrench before turning the power tool on.**

*A wrench or a key left attached to a rotating part of the power tool may result in personal injury.*

- e) **Do not overreach. Keep proper footing and balance at all times.**

*This enables better control of the power tool in unexpected situations.*

- f) **Dress properly. Do not wear loose clothing or jewellery. Keep your hair, clothing and gloves away from moving parts.**

*Loose clothes, jewellery or long hair can be caught in moving parts.*

- g) **If devices are provided for the connection of dust extraction and collection facilities, ensure these are connected and properly used.**

*Use of dust collection can reduce dust related hazards.*

**4) Power tool use and care**

- a) **Do not force the power tool. Use the correct power tool for your application.**

*The correct power tool will do the job better and safer at the rate for which it was designed.*

- b) **Do not use the power tool if the switch does not turn it on and off.**

*Any power tool that cannot be controlled with the switch is dangerous and must be repaired.*

- c) **Disconnect the plug from the power source and/or the battery pack from the power tool before making any adjustments, changing accessories, or storing power tools.**

*Such preventive safety measures reduce the risk of starting the power tool accidentally.*

- d) **Store idle power tools out of the reach of children and do not allow persons unfamiliar with the power tool or these instructions to operate the power tool.**

*Power tools are dangerous in the hands of untrained users.*

- e) **Maintain power tools. Check for misalignment or binding of moving parts, breakage of parts and any other condition that may affect the power tools operation.**

**If damaged, have the power tool repaired before use.**

*Many accidents are caused by poorly maintained power tools.*

- f) **Keep cutting tools sharp and clean.**

*Properly maintained cutting tools with sharp cutting edges are less likely to bind and are easier to control.*

- g) **Use the power tool, accessories and tool bits etc. in accordance with these instructions, taking into account the working conditions and the work to be performed.**

*Use of the power tool for operations different from those intended could result in a hazardous situation.*

## 5) Battery tool use and care

### a) **Recharge only with the charger specified by the manufacturer.**

*A charger that is suitable for one type of battery pack may create a risk of fire when used with another battery pack.*

### b) **Use power tools only with specifically designated battery packs.**

*Use of any other battery packs may create a risk of injury and fire.*

### c) **When battery pack is not in use, keep it away from other metal objects like paper clips, coins, keys, nails, screws, or other small metal objects that can make a connection from one terminal to another.**

*Shorting the battery terminals together may cause burns or a fire.*

### d) **Under abusive conditions, liquid may be ejected from the battery; avoid contact. If contact accidentally occurs, flush with water. If liquid contacts eyes, additionally seek medical help.**

*Liquid ejected from the battery may cause irritation or burns.*

## 6) Service

### a) **Have your power tool serviced by a qualified repair person using only identical replacement parts.**

*This will ensure that the safety of the power tool is maintained.*

## PRECAUTION

**Keep children and infirm persons away.**

**When not in use, tools should be stored out of reach of children and infirm persons.**

## PRECAUTIONS FOR CORDLESS IMPACT DRIVER

1. **Hold power tool by insulated gripping surfaces, when performing an operation where the fastener may contact hidden wiring.** Fasteners contacting a "live" wire may make exposed metal parts of the power tool "live" and could give the operator an electric shock.
2. This is portable tool for tightening and loosening screws. Use it only for these operation.
3. Use the earplugs if using for a long time.
4. One-hand operation is extremely dangerous; hold the unit firmly with both hands when operating.
5. After installing the driver bit, pull lightly out the bit to make sure that it does not come loose. If the bit is not installed properly, it can come loose during use, which can be dangerous.
6. Use the bit that matches the screw.
7. Tightening a screw with the impact driver at an angle to that screw can damage the head of the screw and the proper force will not be transmitted to the screw. Tighten with this impact driver lined up straight with the screw.
8. Always charge the battery at a temperature of 0 – 40°C. Charging the battery at temperatures outside the range of 0 – 40°C may prevent proper charging and reduce battery life.  
The most suitable temperature for charging is that of 20 – 25°C.

9. When one charging is completed, leave the charger for about 15 minutes before the next charging of battery.
10. Do not allow foreign matter to enter the hole for connecting the rechargeable battery.
11. Never disassemble the rechargeable battery and charger.
12. Never short-circuit the rechargeable battery. Short-circuiting the battery will cause a great electric current and overheat. It results in burn or damage to the battery.
13. Do not dispose of the battery in fire.  
If the battery is burnt, it may explode.
14. Bring the battery to the shop from which it was purchased as soon as the post-charging battery life becomes too short for practical use. Do not dispose of the exhausted battery.
15. Using an exhausted battery will damage the charger.
16. Do not insert object into the air ventilation slots of the charger.  
Inserting metal objects or inflammables into the charger air ventilation slots will result in electrical shock hazard or damaged charger.

## CAUTION ON LITHIUM-ION BATTERY

To extend the lifetime, the lithium-ion battery equips with the protection function to stop the output.

In the cases of 1 to 3 described below, when using this product, even if you are pulling the switch, the motor may stop. This is not the trouble but the result of protection function.

1. When the battery power remaining runs out, the motor stops.  
In such case, charge it up immediately.
2. If the tool is overloaded, the motor may stop. In this case, release the switch of tool and eliminate causes of overloading. After that, you can use it again.
3. If the battery is overheated under overload work, the battery power may stop.  
In this case, stop using the battery and let the battery cool. After that, you can use it again.

Furthermore, please heed the following warning and caution.

### WARNING

In order to prevent any battery leakage, heat generation, smoke emission, explosion and ignition beforehand, please be sure to heed the following precautions.

1. Make sure that swarf and dust do not collect on the battery.
  - During work make sure that swarf and dust do not fall on the battery.
  - Make sure that any swarf and dust falling on the power tool during work do not collect on the battery.
  - Do not store an unused battery in a location exposed to swarf and dust.
  - Before storing a battery, remove any swarf and dust that may adhere to it and do not store it together with metal parts (screws, nails, etc.).
2. Do not pierce battery with a sharp object such as a nail, strike with a hammer, step on, throw or subject the battery to severe physical shock.
3. Do not use an apparently damaged or deformed battery.
4. Do not use the battery in reverse polarity.

5. Do not connect directly to an electrical outlets or car cigarette lighter sockets.
  6. Do not use the battery for a purpose other than those specified.
  7. If the battery charging fails to complete even when a specified recharging time has elapsed, immediately stop further recharging.
  8. Do not put or subject the battery to high temperatures or high pressure such as into a microwave oven, dryer, or high pressure container.
  9. Keep away from fire immediately when leakage or foul odor are detected.
  10. Do not use in a location where strong static electricity generates.
  11. If there is battery leakage, foul odor, heat generated, discolored or deformed, or in any way appears abnormal during use, recharging or storage, immediately remove it from the equipment or battery charger, and stop use.
2. If liquid leaks onto your skin or clothes, wash well with clean water such as tap water immediately. There is a possibility that this can cause skin irritation.
  3. If you find rust, foul odor, overheating, discolor, deformation, and/or other irregularities when using the battery for the first time, do not use and return it to your supplier or vendor.

**WARNING**

If an electrically conductive foreign object enters the terminals of the lithium ion battery, a short-circuit may occur resulting in the risk of fire. Please observe the following matters when storing the battery.

- **Do not place electrically conductive cuttings, nails, steel wire, copper wire or other wire in the storage case.**
- **Either install the battery in the power tool or store by securely pressing into the battery cover until the ventilation holes are concealed to prevent short-circuits (See Fig. 1).**

**CAUTION**

1. If liquid leaking from the battery gets into your eyes, do not rub your eyes and wash them well with fresh clean water such as tap water and contact a doctor immediately.  
If left untreated, the liquid may cause eye-problems.

**SPECIFICATIONS****POWER TOOL**

No-load speed	0-2500 min <sup>-1</sup>
Capacity (Ordinary bolt)	M5 – M12
Tightening torque (Maximum)	95 N·m
Rechargeable battery	BCL1015: Li-ion 10.8 V (1.5 Ah 3 cells)
Weight	1.0 kg

**CHARGER**

Model	UC10SFL
Charging voltage	10.8 V
Weight	0.35 kg

**APPLICATIONS**

- Driving and removing of machine screws, wood screws, tapping screws, etc.

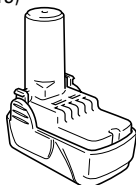
**STANDARD ACCESSORIES**

WH10DFL (2LCSK)	① Plus driver bit (No. 2 × 50L) .....	1
	② Battery (BCL1015) .....	2
	③ Charger (UC10SFL) .....	1
	④ Plastic case .....	1
	⑤ Battery cover .....	1

Standard accessories are subject to change without notice.

**OPTIONAL ACCESSORIES (sold separately)**

1. Battery (BCL1015)



Optional accessories are subject to change without notice.

**BATTERY REMOVAL/INSTALLATION****1. Battery removal**

Hold the handle tightly and push the battery latch to remove the battery (see **Figs. 1 and 2**).

**CAUTION**

Never short-circuit the battery.

**2. Battery installation**

Insert the battery while observing its polarities (see **Fig. 2**).

**CHARGING**

Before using the power tool, charge the battery as follows.

**1. Connect the charger's power cord to the receptacle.**

When connecting the plug of the charger to a receptacle, the pilot lamp will blink in red (At 1-second intervals).

**2. Insert the battery into the charger.**

Firmly insert the battery into the charger till it contacts the bottom of the charger as shown in **Fig. 3**.

**3. Charging**

When inserting a battery in the charger, the pilot lamp will light up continuously in red.  
 When the battery becomes fully recharged, the pilot lamp will blink in red (At 1-second intervals).  
 (See **Table 1**)

(1) Pilot lamp indication

The indications of the pilot lamp will be as shown in **Table 1**, according to the condition of the charger or the rechargeable battery.

**Table 1**

Indications of the pilot lamp			
Pilot lamp (red)	Before charging	Blinks	Lights for 0.5 seconds. Does not light for 0.5 seconds. (off for 0.5 seconds) 
	While charging	Lights	Lights continuously 
	Charging complete	Blinks	Lights for 0.5 seconds. Does not light for 0.5 seconds. (off for 0.5 seconds) 
	Overheat standby	Blinks	Lights for 1 second. Does not light for 0.5 seconds. (off for 0.5 seconds) 
	Charging impossible	Flickers	Lights for 0.1 seconds. Does not light for 0.1 seconds. (off for 0.1 seconds) 
			Battery overheated. Unable to charge. (Charging will commence when battery cools)
			Malfunction in the battery or the charger

- (2) Regarding the temperature of the rechargeable battery  
 The temperatures for rechargeable batteries are as shown in the **Table 2**, and batteries that have become hot should be cooled for a while before being recharged.

**Table 2** Recharging ranges of batteries

Rechargeable batteries	Temperatures at which the battery can be recharged
BCL1015	0°C – 50°C

- (3) Regarding recharging time  
 Depending on the combination of the charger and batteries, the charging time will become as shown in **Table 3**.

**Table 3** Charging time (At 20°C)

Battery	Charger	UC10SFL
BCL1015		Approx. 40 min.

**NOTE**

The charging time may vary according to temperature and power source voltage.

**4. Disconnect the charger's power cord from the receptacle**

**5. Hold the charger firmly and pull out the battery**

**NOTE**

Be sure to pull out the battery from the charger after use, and then keep it.

**How to make the batteries perform longer**

- (1) Recharge the batteries before they become completely exhausted.

When you feel that the power of the tool becomes weaker, stop using the tool and recharge its battery. If you continue to use the tool and exhaust the electric current, the battery may be damaged and its life will become shorter.

- (2) Avoid recharging at high temperatures.

A rechargeable battery will be hot immediately after use. If such a battery is recharged immediately after use, its internal chemical substance will deteriorate, and the battery life will be shortened. Leave the battery and recharge it after it has cooled for a while.

**CAUTION**

- If the battery is charged while it is heated because it has been left for a long time in a location subject to direct sunlight or because the battery has just been used, the pilot lamp of the charger lights for 1 second, does not light for 0.5 seconds (off for 0.5 seconds). In such a case, first let the battery cool, then start charging.
- When the pilot lamp flickers (at 0.2-second intervals), check for and take out any foreign objects in the charger's battery connector. If there are no foreign objects, it is probable that the battery or charger is malfunctioning. Take it to your authorized Service Center.
- Since the built-in micro computer takes about 3 seconds to confirm that the battery being charged with UC10SFL is taken out, wait for a minimum of 3 seconds before reinserting it to continue charging. If the battery is reinserted within 3 seconds, the battery may not be properly charged.

**PRIOR TO OPERATION**

**1. Setting up and checking the work environment**

Check if the work environment is suitable by the above precautions.



---

## HOW TO USE

---

### 1. Installing the bit

Always follow the following procedure to install driver bit. (Fig. 4)

- (1) Pull the guide sleeve forward.
- (2) Insert the bit into the hexagonal hole in the socket.
- (3) Release the guide sleeve and it returns to its original position.

### CAUTION

If the guide sleeve does not return to its original position, then the bit is not installed properly.

### 2. Removing the bit

Please do the opposite point on the method of installing bit.

### 3. Confirm that the battery is mounted correctly

### 4. Check the rotational direction

The bit rotates clockwise (viewed from the rear side) by pushing the R-side of the selector button.

The L-side of the selector button is pushed to turn the bit counterclockwise (See Fig. 5) (The (L) and (R) marks are provided on the body).

### 5. Switch operation

- When the trigger switch is depressed, the tool rotates. When the trigger is released, the tool stops.
- The rotational speed of the drill can be controlled by varying the amount that the trigger switch is pulled. Speed is low when the trigger switch is pulled slightly and increases as the trigger switch is pulled more.

### NOTE

A buzzing noise is produced when the motor is about to rotate. This is only a noise, not a machine failure.

### 6. Using the light

Pull the trigger switch to light up the light. The light keeps on lighting while the trigger switch is being pulled. The light goes out after releasing the trigger switch. (Fig. 6)

### CAUTION

Do not look directly into the light. Such actions could result in eye injury.

### 7. Tightening and loosening screws

Install the bit that matches the screw, line up the bit in the grooves of the head of the screw, then tighten it. Push the impact driver just enough to keep the bit fitting the head of the screw.

### CAUTION

Applying the impact driver for too long tightens the screw too much and can break it.

Tightening a screw with the impact driver at an angle to that screw can damage the head of the screw and the proper force will not be transmitted to the screw. Tighten with this impact driver lined up straight with the screw.

---

## OPERATIONAL CAUTIONS

---

### 1. Resting the unit after continuous work

After use for continuous bolt-tightening work, rest the unit for 15 minutes or so when replacing the battery. The temperature of the motor, switch, etc., will rise if the work is started again immediately after battery replacement, eventually resulting in burnout.

### NOTE

Do not touch the metal parts, as it gets very hot during continuous work.

### 2. Cautions on use of the speed control switch

This switch has a built-in, electronic circuit which steplessly varies the rotation speed. Consequently, when the switch trigger is pulled only slightly (low speed rotation) and the motor is stopped while continuously driving in screws, the components of the electronic circuit parts may overheat and be damaged.

### 3. Use a tightening time suitable for the screw

The appropriate torque for a screw differs according to the material and size of the screw, and the material being screwed etc., so please use a tightening time suitable for the screw. In particular, if a long tightening time is used in the case of screws smaller than M8, there is a danger of the screw breaking, so please confirm the tightening time and the tightening torque beforehand.

### 4. Work at a tightening torque suitable for the bolt under impact

The optimum tightening torque for nuts or bolts differs with material and size of the nuts or bolts. An excessively large tightening torque for a small bolt may stretch or break the bolt. The tightening torque increases in proportion to the operation time. Use the correct operating time for the bolt.

### 5. Confirm the tightening torque

The following factors contribute to a reduction of the tightening torque. So confirm the actual tightening torque needed by screwing up some bolts before the job with a hand torque wrench. Factors affecting the tightening torque are as follows.

- (1) Voltage  
When the discharge margin is reached, voltage decreases and tightening torque is lowered.
- (2) Operating time  
The tightening torque increases when the operating time increases. But the tightening torque does not increase above a certain value even if the tool is driven for a long time.
- (3) Diameter of bolt  
The tightening torque differs with the diameter of the bolt. Generally a larger diameter bolt requires larger tightening torque.
- (4) Tightening conditions  
The tightening torque differs according to the torque ratio; class, and length of bolts even when bolts with the same size threads are used. The tightening torque also differs according to the condition of the surface of workpiece through which the bolts are to be tightened. When the bolt and nut turn together, torque is greatly reduced.

---

## MAINTENANCE AND INSPECTION

---

### 1. Inspecting the driver bit

Using a broken bit or one with a worn out tip is dangerous because the bit can slip. Replace it.

### 2. Inspecting the mounting screws

Regularly inspect all mounting screws and ensure that they are properly tightened. Should any of the screws be loose, retighten them immediately. Failure to do so could result in serious hazard.

### 3. Maintenance of the motor

The motor unit winding is the very "heart" of the power tool.

Exercise due care to ensure the winding does not become damaged and/or wet with oil or water.

#### 4. Cleaning of the outside

When the driver drill is stained, wipe with a soft dry cloth or a cloth moistened with soapy water. Do not use chloric solvents, gasoline or paint thinner, for they melt plastics.

#### 5. Storage

Store the driver drill in a place in which the temperature is less than 40°C and out of reach of children.

#### NOTE

Make sure that the battery is fully charged when stored for a long period (3 months or more). The battery with smaller capacity may not be able to be charged when used, if stored for a long period.

#### 6. Service parts list

##### CAUTION

Repair, modification and inspection of Hitachi Power Tools must be carried out by a Hitachi Authorized Service Center.

This Parts List will be helpful if presented with the tool to the Hitachi Authorized Service Center when requesting repair or other maintenance.

In the operation and maintenance of power tools, the safety regulations and standards prescribed in each country must be observed.

##### MODIFICATIONS:

Hitachi Power Tools are constantly being improved and modified to incorporate the latest technological advancements.

Accordingly, some parts may be changed without prior notice.

#### Important notice on the batteries for the Hitachi cordless power tools

Please always use one of our designated genuine batteries. We cannot guarantee the safety and performance of our cordless power tool when used with batteries other than these designated by us, or when the battery is disassembled and modified (such as disassembly and replacement of cells or other internal parts).

## GUARANTEE

We guarantee Hitachi Power Tools in accordance with statutory/country specific regulation. This guarantee does not cover defects or damage due to misuse, abuse, or normal wear and tear. In case of complaint, please send the Power Tool, undismantled, with the GUARANTEE CERTIFICATE found at the end of this Handling instruction, to a Hitachi Authorized Service Center.

#### NOTE:

Due to HITACHI's continuing program of research and development, the specifications herein are subject to change without prior notice.

#### Information concerning airborne noise and vibration

The measured values were determined according to EN60745 and declared in accordance with ISO 4871.

Measured A-weighted sound power level: 103 dB (A)  
Measured A-weighted sound pressure level: 92 dB (A)  
Uncertainty KpA: 3 dB (A).

Wear hearing protection.

Vibration total values (triax vector sum) determined according to EN60745.

Impact tightening of fasteners of the maximum capacity of the tool:

Vibration emission value  $a_h = 18.1 \text{ m/s}^2$   
Uncertainty K =  $1.5 \text{ m/s}^2$

The declared vibration total value has been measured in accordance with a standard test method and may be used for comparing one tool with another.

It may also be used in a preliminary assessment of exposure.

#### WARNING

- The vibration emission during actual use of the power tool can differ from the declared total value depending on the ways in which the tool is used.
- Identify safety measures to protect the operator that are based on an estimation of exposure in the actual conditions of use (taking account of all parts of the operating cycle such as the times when the tool is switched off and when it is running idle in addition to the trigger time).

## ALLGEMEINE SICHERHEITSHINWEISE FÜR ELEKTROGERÄTE

### ⚠️ WARNUNG

Lesen Sie sämtliche Sicherheitshinweise und Anweisungen durch

*Wenn die Warnungen und Anweisungen nicht befolgt werden, kann es zu Stromschlag, Brand und/oder ernsthaften Verletzungen kommen.*

**Bitte bewahren Sie alle Warnhinweise und Anweisungen zum späteren Nachschlagen auf.**

*Der Begriff „Elektrowerkzeug“ bezieht sich in den Warnhinweisen auf Elektrowerkzeuge mit Netz-(schnurgebunden) oder Akkubetrieb (schnurlos).*

#### 1) Sicherheit im Arbeitsbereich

- Sorgen Sie für einen sauberen und gut ausgeleuchteten Arbeitsbereich.**  
*Zugestellte oder dunkle Bereiche ziehen Unfälle förmlich an.*
- Verwenden Sie Elektrowerkzeuge niemals an Orten, an denen Explosionsgefahr besteht – zum Beispiel in der Nähe von leicht entflammaren Flüssigkeiten, Gasen oder Stäuben.**  
*Bei der Arbeit mit Elektrowerkzeugen kann es zu Funkenbildung kommen, wodurch sich Stäube oder Dämpfe entzünden können.*
- Sorgen Sie bei der Arbeit mit Elektrowerkzeugen dafür, dass sich keine Zuschauer (insbesondere Kinder) in der Nähe befinden.**  
*Wenn Sie abgelenkt werden, können Sie die Kontrolle über das Werkzeug verlieren.*

#### 2) Elektrische Sicherheit

- Elektrowerkzeuge müssen mit passender Stromversorgung betrieben werden.**  
**Nehmen Sie niemals irgendwelche Änderungen am Anschlussstecker vor.**  
**Verwenden Sie bei Elektrowerkzeugen mit Schutzkontakt (geerdet) niemals Adapterstecker.**  
*Stecker im Originalzustand und passende Steckdosen reduzieren das Stromschlagrisiko.*
- Vermeiden Sie Körperkontakt mit geerdeten Gegenständen wie Rohrleitungen, Heizungen, Herden oder Kühlschränken.**  
*Bei Körperkontakt mit geerdeten Gegenständen besteht ein erhöhtes Stromschlagrisiko.*
- Setzen Sie Elektrowerkzeuge niemals Regen oder sonstiger Feuchtigkeit aus.**  
*Wenn Flüssigkeiten in ein Elektrowerkzeug eindringen, erhöht sich das Stromschlagrisiko.*
- Verwenden Sie die Anschlusschnur nicht missbräuchlich.** Tragen Sie das Elektrowerkzeug niemals an der Anschlusschnur, ziehen Sie es nicht damit heran und ziehen Sie den Stecker nicht an der Anschlusschnur aus der Steckdose. Halten Sie die Anschlusschnur von Hitzequellen, Öl, scharfen Kanten und beweglichen Teilen fern. *Beschädigte oder verdrehte Anschlusschnüre erhöhen das Stromschlagrisiko.*
- Wenn Sie ein Elektrowerkzeug im Freien benutzen, verwenden Sie ein für den Außeneinsatz geeignetes Verlängerungskabel.**  
*Ein für den Außeneinsatz geeignetes Kabel vermindert das Stromschlagrisiko.*
- Falls sich der Betrieb des Elektrowerkzeuges in feuchter Umgebung nicht vermeiden lässt, verwenden Sie eine Stromversorgung mit Fehlerstromschutzeinrichtung (Residual Current Device, RCD).**

*Durch den Einsatz einer Fehlerstromschutzeinrichtung wird das Risiko eines elektrischen Schlages reduziert.*

#### 3) Persönliche Sicherheit

- bleiben Sie wachsam, achten Sie auf das, was Sie tun, und setzen Sie Ihren Verstand ein, wenn Sie mit Elektrowerkzeugen arbeiten. Benutzen Sie keine Elektrowerkzeuge, wenn Sie müde sind oder unter Einfluss von Drogen, Alkohol oder Medikamenten stehen.**  
*Bei der Arbeit mit Elektrowerkzeugen können bereits kurze Phasen der Unaufmerksamkeit zu schweren Verletzungen führen.*
  - Benutzen Sie eine persönliche Schutzausrüstung. Tragen Sie immer einen Augenschutz.**  
*Schutzausrüstung wie Staubmaske, rutschsichere Sicherheitsschuhe, Schutzhelm und Gehörschutz senken das Verletzungsrisiko bei angemessenem Einsatz.*
  - Vermeiden Sie unbeabsichtigten Anlauf. Achten Sie darauf, dass sich der Schalter in der Aus-(Off-) Position befindet, ehe Sie das Gerät mit der Stromversorgung und/oder Batteriestromversorgung verbinden, es aufheben oder herumtragen.**  
*Das Herumtragen von Elektrowerkzeugen mit dem Finger am Schalter oder das Herstellen der Stromversorgung bei betätigtem Schalter zieht Unfälle regelrecht an.*
  - Entfernen Sie sämtliche Einstellwerkzeuge (Einstellschlüssel), ehe Sie das Elektrowerkzeug einschalten.**  
*Ein an einem beweglichen Teil des Elektrowerkzeugs angebrachter Schlüssel kann zu Verletzungen führen.*
  - Sorgen Sie für einen festen Stand. Achten Sie jederzeit darauf, sicher zu stehen und das Gleichgewicht zu bewahren.**  
*Dadurch haben Sie das Elektrowerkzeug in unerwarteten Situationen besser im Griff.*
  - Kleiden Sie sich richtig. Tragen Sie keine lose Kleidung oder Schmuck. Halten Sie Haar, Kleidung und Handschuhe von beweglichen Teilen fern.**  
*Lose Kleidung, Schmuck oder langes Haar kann von beweglichen Teilen erfasst werden.*
  - Wenn Anschlüsse für Staubabsaug- und -sammelvorrichtungen vorhanden sind, sorgen Sie dafür, dass diese richtig angeschlossen und eingesetzt werden.**  
*Durch Entfernen des Staubes können staubbezogene Gefahren vermindert werden.*
- #### 4) Einsatz und Pflege von Elektrowerkzeugen
- Überansprechen Sie Elektrowerkzeuge nicht. Benutzen Sie das richtige Elektrowerkzeug für Ihren Einsatzzweck.**  
*Das richtige Elektrowerkzeug erledigt seine Arbeit bei bestimmungsgemäßem Einsatz besser und sicherer.*
  - Benutzen Sie das Elektrowerkzeug nicht, wenn es sich nicht am Schalter ein- und ausschalten lässt.**  
*Jedes Elektrowerkzeug, das nicht mit dem Schalter betätigt werden kann, stellt eine Gefahr dar und muss repariert werden.*
  - Stecken Sie den Stecker der Stromversorgung oder Batteriestromversorgung vom Gerät ab, ehe Sie Einstellarbeiten vornehmen, Zubehörteile tauschen oder das Elektrowerkzeug verstauen.**  
*Solche präventiven Sicherheitsmaßnahmen verhindern den unbeabsichtigten Anlauf des Elektrowerkzeugs und die damit verbundenen Gefahren.*

- d) Lagern Sie nicht benutzte Elektrowerkzeuge außerhalb der Reichweite von Kindern, lassen Sie nicht zu, dass Personen das Elektrowerkzeug bedienen, die nicht mit dem Werkzeug selbst und/oder diesen Anweisungen vertraut sind.  
*Elektrowerkzeuge in ungeschulten Händen sind gefährlich.*
- e) Halten Sie Elektrowerkzeuge in Stand. Prüfen Sie auf Fehlausrichtungen, sicheren Halt und Leichtgängigkeit beweglicher Teile, Beschädigungen von Teilen und auf jegliche andere Zustände, die sich auf den Betrieb des Elektrowerkzeugs auswirken können. Bei Beschädigungen lassen Sie das Elektrowerkzeug reparieren, ehe Sie es benutzen. *Viele Unfälle mit Elektrowerkzeugen sind auf schlechte Wartung zurückzuführen.*
- f) Halten Sie Schneidwerkzeuge scharf und sauber. *Richtig gewartete Schneidwerkzeuge mit scharfen Schneidkanten bleiben weniger häufig hängen und sind einfacher zu beherrschen.*
- g) Benutzen Sie Elektrowerkzeuge, Zubehör, Werkzeugspitzen und Ähnliches in Übereinstimmung mit diesen Anweisungen – beachten Sie dabei die jeweiligen Arbeitsbedingungen und die Art und Weise der auszuführenden Arbeiten. *Der Gebrauch des Elektrowerkzeuges für andere als die vorgesehenen Anwendungen kann zu gefährlichen Situationen führen.*

## 5) Verwendung und Pflege der Batterie

- a) Laden Sie das Gerät nur mit dem vom Hersteller empfohlenen Ladegerät auf.  
*Ein Ladegerät für einen speziellen Batterietyp kann bei Verwendung mit anderen Batterien zu Gefahren führen.*
- b) Verwenden Sie für das Gerät nur die speziell empfohlenen Batterien.  
*Eine Verwendung von anderen Batterien kann zu Verletzungen und Bränden führen.*
- c) Ist die Batterie nicht in Gebrauch, achten Sie darauf, dass sie nicht mit metallischen Gegenständen, beispielsweise Büroklammern, Münzen, Schlüssel, Nägel, Schrauben in Kontakt kommt, da diese Gegenstände einen Kurzschluss der Anschlüsse verursachen könnten.  
*Ein Kurzschluss der Batterieanschlüsse kann zu Verbrennungen oder Bränden führen.*
- d) Im Falle von Störungen, kann Flüssigkeit aus der Batterie austreten. Vermeiden Sie in diesem Fall jeglichen Kontakt. Sollten Sie dennoch mit der Batterie in Berührung kommen, waschen Sie die betroffene Stelle gründlich mit Wasser ab. Ist die Flüssigkeit ins Auge geraten, suchen Sie einen Arzt auf.  
*Ausgetretene Batterieflüssigkeiten können zu Reizungen oder Verbrennungen führen.*

## 6) Service

- a) Lassen Sie Elektrowerkzeuge durch qualifizierte Fachkräfte und unter Einsatz passender, zugelassener Originalteile warten.  
*Dies sorgt dafür, dass die Sicherheit des Elektrowerkzeugs nicht beeinträchtigt wird.*

## VORSICHT

Von Kindern und gebrechlichen Personen fernhalten. Werkzeuge sollten bei Nichtgebrauch außerhalb der Reichweite von Kindern und gebrechlichen Personen aufbewahrt werden.

## VORSICHTSMASSNAHMEN FÜR DEN AKKU-SCHLAGSCHRAUBER

1. Halten Sie das Elektrowerkzeug an seinen isolierten Griffen fest, wenn Sie Arbeiten ausführen, bei denen die Befestigungsvorrichtung mit verdeckten Verdrahtungen in Kontakt kommen könnte. Wenn Befestigungsvorrichtungen mit einem "stromführenden" Draht in Kontakt kommen, könnten die metallischen Teile des Elektrowerkzeugs "unter Strom stehen" und die Bedienungsperson erhält dann einen elektrischen Schlag.
2. Dies ist ein tragbares Werkzeuggerät zum Anziehen und Lösen von Schrauben. Es sollte nur für diesen Zweck eingesetzt werden.
3. Bei längerem Arbeiten Ohrstöpsel verwenden.
4. Es ist äußerst gefährlich, das Gerät nur mit einer Hand zu bedienen. Das Gerät ist beim Betrieb mit beiden Händen festzuhalten.
5. Nachdem das Schraubstück angebracht wurde, sollte ein wenig daran gezogen werden, um sicherzugehen, daß es festsitzt. Wenn das Schraubstück nicht richtig aufgesetzt wird, kann es sich während des Betriebs lösen, was Verletzungsgefahr bedeutet.
6. Das Schrubstück gemäß der anzuziehenden Schraube verwenden.
7. Sollte versucht werden, mit dem Schlag-Schrauber eine Schraube anzuziehen, wenn sich der Schlag-Schrauber in einem Winkel zur Schraube befindet, kann die Preßkraft des Geräts nicht voll zur Geltung kommen; außer dem kann der Schraubenkopf beschädigt werden. Anziehen, wenn sich der Schlag-Schrauber mit der Schraube auf einer Linie befindet.
8. Die Batterie immer bei einer Temperatur von 0 – 40°C laden. Das Laden des Akkus bei Temperaturen außerhalb des Bereichs von 0 – 40°C kann zu einer fehlerhaften Ladung führen und die Lebensdauer des Akkus vermindern.  
Die beste Temperatur zum Laden wäre von 20 – 25°C.
9. Nach Beendigung einer Ladung, lassen Sie das Ladegerät ungefähr 15 Minuten ruhen bevor die nächste Batterieladung unternommen wird.
10. Keine Fremdkörper durch das Anschlußloch der Batterie eindringen lassen.
11. Niemals die Batterie und das Ladegerät auseinandernehmen.
12. Niemals die Batterie kurzschließen. Kurzschluß der Batterie verursacht eine zu große Stromzufuhr und überhitzung, wodurch Durchbrennen oder Schaden beider Batterie entsteht.
13. Die Batterie nicht ins Feuer werfen. Sie könnte dabei explodieren.
14. Bringen Sie die Batterie zum Geschäft, wo Sie ihn gekauft haben sobald die Lebensdauer der Batterie abrinnt. Die erschöpfte Batterie nicht wegwerfen.
15. Benutzung verbrauchter Batterie beschädigt den Auflader.
16. Darauf achten, daß keine Gegenstände durch Belüftungsschlitze des Aufladers in das Gerät eindringen.  
Wenn Metallobjekte oder entzündliche Gegenstände durch die Belüftungsschlitze des Aufladers eindringen, kann dies zu elektrischen Schlägen führen oder den Auflader beschädigen.

## WARNUNG ZUM LITHIUM-IONEN-AKKU

Um die Lebensdauer des Lithium-Ionen-Akkus zu verlängern, ist dieser mit einer Schutzfunktion zum Stoppen der Leistungsabgabe ausgestattet.

In den unten beschriebenen Fällen 1 bis 3 kann bei der Benutzung dieses Produkts der Motor abschalten, selbst wenn Sie den Schalter drücken. Dies ist kein Defekt sondern das Resultat der Schutzfunktion.

1. Wenn die verbleibende Akkuleistung nicht mehr ausreicht, schaltet der Motor ab.  
Laden Sie in einem solchen Fall den Akku umgehend auf.
2. Wenn das Werkzeug überlastet ist, kann es zum Abschalten des Motors kommen. Lassen Sie in diesem Fall den Schalter des Geräts los und beseitigen Sie die Ursache der Überlastung. Danach können Sie das Gerät wieder verwenden.
3. Kommt es während des Betriebs zu einer Erhitzung der Batterie, wird das Gerät unter Umständen angehalten. Unterbrechen Sie in diesem Fall Ihre Arbeit und lassen Sie die Batterie abkühlen. Anschließend können Sie das Gerät wieder normal verwenden.

Bitte beachten Sie die folgenden Warnhinweise.

### WARNUNG

Zur Vermeidung einer ausgelaufenen Batterie, Erwärmung, Rauchentwicklung, Explosionen und vorzeitiger Zündung beachten Sie bitte die folgenden Vorsichtsmaßnahmen.

1. Stellen Sie sicher, dass sich Späne und Staub nicht auf der Batterie ansammeln.
  - Stellen Sie während der Arbeit sicher, dass Späne und Staub nicht auf die Batterie fallen.
  - Stellen Sie sicher, dass Staub und Späne, die während der Bearbeitung auf das Elektrowerkzeug fallen, nicht in die Batterie gelangen.
  - Lagern Sie ungebrauchte Batterien nicht an Plätzen, an denen Staub oder Späne anfallen.
  - Vor dem Einlagern einer Batterie sind sämtlicher Staub und Späne zu entfernen. Weiterhin ist zu berücksichtigen, dass die Batterie nicht gemeinsam mit Metallteilen (Schrauben, Nägel, usw.) zu lagern ist.
2. Achten Sie darauf, dass die Batterie nicht durch einen spitzen Gegenstand, beispielsweise einen Nagel, beschädigt wird. Vermeiden Sie Schläge mit dem Hammer. Treten Sie nicht gegen die Batterie, werfen Sie diese nicht, und vermeiden Sie Stöße.
3. Beschädigte oder verformte Batterien dürfen nicht weiter verwendet werden.

4. Achten Sie auf den richtigen Anschluss der Pole.
5. Schließen Sie die Batterie nicht direkt an elektrische Ausgänge oder Zigarettenanzünder im Auto an.
6. Verwenden Sie die Batterie nur für den angegebenen Zweck.
7. Falls die Batterie nach Verstreichen der angegebenen Ladezeit nicht vollständig aufgeladen ist, brechen Sie den Ladevorgang unverzüglich ab.
8. Vermeiden Sie hohe Temperaturen und hohen Druck, wie er beispielsweise in der Mikrowelle, einem Trockner oder einem Hochdruckbehälter auftritt.
9. Wenn Sie ein Leck oder Rußgeruch feststellen, vermeiden Sie jeglichen Kontakt mit Feuerstellen.
10. Vermeiden Sie eine Verwendung an Orten, an denen starke statische Elektrizität erzeugt wird.
11. Werden ein Leck, Rußgeruch, Erwärmung, Verfärbungen, Verformungen oder sonstige Anomalitäten während der Verwendung, des Aufladens oder der Lagerung festgestellt, entfernen Sie die Batterie unverzüglich vom Gerät oder dem Ladegerät und beenden Sie die Anwendung.

### VORSICHT

1. Tritt die auslaufende Flüssigkeit in Kontakt mit Ihren Augen, reiben Sie diese nicht, sondern waschen Sie sie mit sauberem (Leitungs-) Wasser gut aus und suchen Sie unverzüglich einen Arzt auf. Ohne sachgemäße Behandlung können Augenverletzungen auftreten.
2. Wenn die ausgelaufene Flüssigkeit auf Haut oder Kleidung trifft, waschen Sie diese unverzüglich mit sauberem Wasser ab.  
Es besteht die Gefahr von Hautreizungen.
3. Beim Auftreten von Rost, Rußgeruch, Erwärmung, Verfärbungen, Verformungen oder sonstigen Anomalitäten während der ersten Verwendung der Batterie, ist diese nicht weiter zu verwenden. Bringen Sie die Batterie zum Händler oder Verkäufer zurück.

### WARNUNG

Wenn ein elektrischer Fremdkörper an die Anschlüsse des Lithium-Ionen-Akkus gelangt, kann es zu einem Kurzschluss und der Gefahr eines Feuers kommen. Beachten Sie folgende Vorsichtsmaßnahmen bei der Aufbewahrung des Akkus.

- Legen Sie keine elektrisch leitenden Späne, Nägel, Stahldraht, Kupferdraht oder anderen Draht in den Aufbewahrungskoffer.
- Setzen Sie den Akku entweder in das Gerät ein oder lagern Sie ihn, um Kurzschlüsse zu vermeiden, indem Sie ihn in die Batterieabdeckung hineindrücken, bis die Belüftungslöcher verdeckt sind. (Siehe Abb. 1)

## TECHNISCHE DATEN

### ELEKTRO-WERKZEUG

Leerlaufdrehzahl	0-2500 min <sup>-1</sup>
Kapazität (Üblicher Bolzen)	M5 – M12
Spanndrehkraft (Maximal)	95 N·m
Wiederaufladbare Batterie	BCL1015: Li-ion 10,8 V (1,5 Ah 3 Zellen)
Gewicht	1,0 kg



- (2) Über die Temperatur der Akkubatterie  
Die Temperaturen für Akkus sind in **Tafel 2** gezeigt.  
Erhitzte Batterien vor dem Laden abkühlen lassen.

**Tafel 2** Aufladebereiche für Batterie

Akkubatterien	Temperaturen, bei denen die Batterie geladen werden kann
BCL1015	0°C – 50°C

- (3) Über die Aufladezeit  
Je nach Kombination von Ladegerät und Batterien wird die Aufladezeit wie in **Tafel 3** gezeigt.

**Tafel 3** Aufladezeit (bei 20°C)

Batterie \ Ladegerät	UC10SFL
BCL1015	Etw. 40 min.

**HINWEIS**

Die Aufladezeit kann je nach Temperatur und Ladespannung unterschiedlich sein.

- Den Netzstecker des Ladegeräts aus der Steckdose ziehen**
- Das Ladegerät festhalten und die Batterie herausziehen**

**HINWEIS**

Achten Sie darauf, die Batterie nach der Verwendung aus dem Ladegerät zu nehmen und sie aufzubewahren.

**Verlängerung der Lebensdauer von Batterien**

- Die Batterien aufladen, bevor sie völlig erschöpft sind.  
Wenn festgestellt wird, daß die Leistung des Werkzeugs nachläßt, mit der Arbeit aufhören und die Batterie aufladen.  
Wenn das Werkzeug weiter verwendet wird und die Batterie völlig erschöpft wird, kann die Batterie beschädigt und ihre Lebensdauer verkürzt werden.
- Nicht bei hohen Temperaturen aufladen.  
Eine Akkubatterie erhitzt sich bei der Verwendung. Wenn solch eine Batterie sofort nach der Verwendung aufgeladen wird, werden die Batteriechemikalien beeinträchtigt, und die Batterielebensdauer nimmt ab. Die Batterie etwas stehen lassen und erst aufladen, wenn sie sich abgekühlt hat.

**ACHTUNG**

- Wenn die Akkubatterie geladen wird, während sie aufgrund längerer Einwirkung von direktem Sonnenlicht erhitzt wurde, oder wenn sie soeben verwendet wurde, leuchtet die Steuerleuchte des Ladegeräts 1 Sekunde und erlischt dann für 0,5 Sekunden (leuchtet 0,5 Sekunden nicht). In diesem Fall zuerst die Batterie abkühlen lassen und erst dann mit dem Aufladen beginnen.
- Wenn die Kontrollampe in schneller Folge flackert (in 0,2-Sekunden-Abständen), nachsehen ob Fremdkörper im Batterieanschluss des Ladegeräts sind und diese ggf. herausnehmen. Wenn keine Fremdkörper im Batteriefach sind, liegt wahrscheinlich eine Fehlfunktion bei der Batterie oder beim Ladegerät vor. Die Teile vom autorisierten Kundendienst prüfen lassen.

- Da der eingebaute Mikrocomputer etwa 3 Sekunden braucht, um zu bestätigen, daß die im UC10SFL zum Laden eingelegte Batterie herausgenommen wird, warten Sie mindestens 3 Sekunden, bevor Sie die Batterie zum Fortsetzen des Aufladens einlegen. Wenn die Batterie innerhalb von 3 Sekunden eingelegt wird, kann es sein, daß sie nicht richtig geladen wird.

**VOR INBETRIEBNAHME**

- Aufstellung und überprüfung der Arbeitsumgebung**  
Prüfen Sie, ob die Arbeitsumgebung obigen Vorsichtsmaßnahmen entspricht.

**ANWENDUNG**

- Anbringung des Schraubstücks**  
Beim Anbringen des Schraubstücks immer den folgenden Anweisungen folgen. (**Abb. 4**)

- Schieben Sie die Führungsmuffe nach vorne.
- Fügen Sie die Bohrerspitze in das Sechskantloch der Hülse.
- Die Führungsmuffe loslassen, so daß sie in ihre herkömmliche Position zurückkehren kann.

**ACHTUNG:**

Sollte die Führungsmuffe nicht in ihre herkömmliche Position zurückkehren, ist das Schraubstück nicht ordnungsgemäß eingesetzt.

- Entfernen der Bohrerspitze**  
Verfahren Sie entgegengesetzt der Methode für das Einfügen der Bohrerspitze.
- Sich vergewissern, daß die Batterie richtig angebracht ist**

- Die Drehrichtung nachprüfen**  
Die Bohrerspitze dreht sich nach rechts (von der Hinterseite gesehen), wenn auf die R-Seite des Wählhebels gedrückt wird.

Um die Bohrerspitze nach links zu drehen auf die L-Seite des Wählhebels drücken (Siehe **Abb. 5**). (Die (L) und (R) Zeichen sind auf dem Körper markiert).

- Betätigung des Schalters**  
Wenn der Schaltertrigger gedrückt ist, dreht sich das Werkzeug. Wenn ausgelöst, wird das Werkzeug abgestellt.

- Die Drehgeschwindigkeit des Bohrers kann durch Verändern des Betrags des Ziehens am Auslöser geregelt werden. Die Geschwindigkeit ist niedrig, wenn der Auslöser nur gering gezogen wird und nimmt zu, wenn er stärker gezogen.

**HINWEIS**

Wenn der Motor beginnt, zu rotieren, ist ein Summen zu hören. Dabei handelt es sich nicht um eine störung.

- Verwendung des Lichts**  
Ziehen Sie den Auslöseschalter, damit die Lampe leuchtet. Solange der Auslöseschalter gezogen ist, leuchtet die Lampe. Wenn Sie den Auslöseschalter loslassen, erlischt das Licht. (**Abb. 6**)

**ACHTUNG:**

Sehen Sie nicht direkt in das Licht. Dies könnte zu Augenverletzungen führen.

- Anziehen und Lösen von Schrauben**  
Das der Schraube entsprechende Schraubstück aufsetzen, das Schraubstück in den Schlitzen der Schraube abgleichen, und anziehen.  
Den Schlag-Schrauber nur soweit drücken, daß das Schraubstück gut in den Schlitzen der Schraube sitzt.

## ACHTUNG

Ein zu langes Anschrauben mit dem Schlag-Schrauber zieht die Schraube zu stark an; die Schraube kann so schnell brechen.

Sollte versucht werden, mit dem Schlag-Schrauber eine Schraube anzuziehen, wenn sich der Schlag-Schrauber in einem Winkel zur Schraube befindet, kann die Preßkraft des Geräts nicht voll zur Geltung kommen; außerdem kann der Schraubenkopf beschädigt werden. Anziehen, wenn sich der Schlag-Schrauber mit der Schraube auf einer Linie befindet.

## VORSICHTSMASSREGELN ZUR VERWENDUNG

### 1. Lassen Sie das Gerät nach fortlaufender Verwendung ruhen

Wenn fortlaufend Schrauben angezogen worden sind, so lassen Sie das Gerät beim Batteriewechsel etwa 15 Minuten ruhen. Wenn das Gerät direkt nach dem Batteriewechsel wieder verwendet wird, werden der Motor, der Schalter und andere Teile heiß und es kann zu Brandschäden kommen.

### HINWEIS

Berühren Sie die Metallteile nicht, da sie bei kontinuierlichem Betrieb ziemlich heiß werden.

### 2. Vorsichtsmaßnahmen für den Geschwindigkeits-regler

Dieser Schalter hat eine eingebaute elektronische Schaltung, die die Drehgeschwindigkeit stufenlos variiert. Entsprechend können Teile der elektronischen Schaltung überhitzt und beschädigt werden, wenn der Drücker nur leicht gezogen wird (niedrige Drehzahl) und der Motor gestoppt ist, während kontinuierlich Schrauben eingedreht werden.

### 3. Eine der Schraube angemessene Anzugszeit wählen

Das richtige Drehmoment für die jeweilige Schraube ist je nach Material und Größe der Schraube unterschiedlich. Besonders bei langer Anzugszeit bei Schrauben kleineren Typs als M8 besteht die Gefahr, daß die Schrauben brechen; darum immer vor der Arbeit sicherstellen, daß Anzugszeit und Anzugsdrehmoment richtig gewählt sind.

### 4. Arbeiten mit einem geeigneten Anzugsdrehmoment

Das optimale Anzugsdrehmoment für Muttern und Schrauben ist abhängig von dem Material und der Größe der Muttern und Schrauben. Ein sehr großes Anzugsdrehmoment kann kleine Schraube verzerren oder brechen. Das Anzugsdrehmoment steigt proportional zur Betriebszeit an. Für das Anziehen von Schrauben ist auf korrekte Einstellung der Einstellscheibe und Betriebsdauer zu achten.

### 5. Überprüfung des Anzugsdrehmoments

Die folgenden Faktoren tragen zu einer Reduzierung des Anzugsdrehmoments bei. Daher zur Feststellung des erforderlichen Drehmoments vor der eigentlichen Arbeit einige Schrauben mit einem Hand-Drehmomentschlüssel anziehen. Bei Faktoren, die das Anzugsdrehmoment beeinflussen, wie unten angegeben vorgehen.

#### (1) Spannung

Wenn die Entladungsmarke erreicht ist, nimmt die Spannung ab und die Spanndrehkraft sinkt.

#### (2) Betriebszeit

Das Anzugsdrehmoment nimmt mit der Betriebszeit zu. Aber das Anzugsdrehmoment übersteigt einen bestimmten Wert nicht, auch wenn das Werkzeug eine lange Zeit angewendet wird.

#### (3) Schraubendurchmesser

Die Spanndrehkraft ändert sich je nach Durchmesser des Bolzens. Allgemein braucht ein Bolzen mit größerem Durchmesser eine höhere Spanndrehkraft.

#### (4) Anzugsbedingungen

Das Anzugsdrehmoment ist abhängig von dem Drehmomentverhältnis, der Klasse und der Länge der Schrauben, auch bei Schrauben mit Gewinde der gleichen Größe. Das Anzugsdrehmoment ist außerdem abhängig von der Metalloberfläche, durch die Schrauben angezogen werden. Wenn sich Bolzen und Mutter gleichzeitig drehen, liegt die Drehkraft äußerst niedrig.

## WARTUNG UND INSPEKTION

### 1. Prüfen des Schraubstücks

Die Benutzung eines beschädigten Schraubstücks oder ein Schraubstück mit abgenutzter Spitze ist gefährlich, da es leicht aus den Schlitten der Schraube rutscht. Daher sofort austauschen.

### 2. Nachprüfen der Befestigungsschrauben

Alle Befestigungsschrauben regelmäßig auf gute Festschraubung nachprüfen. Falls irgendeine der Schrauben locker sein sollte, sofort anziehen. Vernachlässigung dieses Punktes kann zu erheblicher Gefahr führen.

### 3. Wartung des Motors

Die Motorwicklung ist das „Herz“ des Elektrowerkzeugs. Daher ist besonders sorgfältig darauf zu achten, daß die Wicklung nicht beschädigt wird und/oder mit Öl oder Wasser in Berührung kommt.

### 4. Außenreinigung

Wenn der Bohrschrauber schmutzig ist, ihn mit einem weichen und trockenen Tuch abwischen oder mit einem in Seifenwasser benetzten Tuch. Kein Chlorsolvent, Benzin oder Farbsolvent verwenden da sie plastik-Material schmelzen.

### 5. Lagern

Den Bohrschrauber an einen Ort aufbewahren wo die Temperatur unter 40°C ist und außer Reichweite der Kinder.

### HINWEIS

Vergewissern Sie sich, dass die Batterie nach einer längeren Lagerung (3 Monate oder mehr) voll aufgeladen ist. Eine Batterie mit geringerer Kapazität könnte sich nach längerer Lagerung eventuell nicht mehr aufladen lassen.

### 6. Liste der Wartungsteile

#### ACHTUNG

Reparatur, Modifikation und Inspektion von Hitachi-Elektrowerkzeugen müssen durch ein autorisiertes Hitachi-Kundendienstzentrum durchgeführt werden. Diese Teileliste ist hilfreich, wenn sie dem autorisierten Hitachi-Kundendienstzentrum zusammen mit dem Werkzeug für Reparatur oder Wartung ausgehändigt wird.

Bei Betrieb und Wartung von Elektrowerkzeugen müssen die Sicherheitsvorschriften und Normen beachtet werden.



**MODIFIKATIONEN:**

Hitachi-Elektrowerkzeuge wurden fortwährend verbessert und modifiziert, um die neuesten technischen Fortschritte einzubauen.

Dementsprechend ist es möglich, daß einige Teile ohne vorherige Benachrichtigung geändert werden.

**Wichtiger Hinweis zu den Batterien für Akku-Geräte von Hitachi**

Verwenden Sie immer unsere angegebenen Originalbatterien. Wir können die Sicherheit und die Leistung unseres Akku-Gerätes nicht gewährleisten, wenn andere als die von uns angegebenen Batterien verwendet werden, oder wenn die Batterie zerlegt und verändert wird (etwa durch Zerlegen und Ersetzung von Zellen oder anderen innen gelegenen Teilen).

**GARANTIE**

Auf Hitachi-Elektrowerkzeuge gewähren wir eine Garantie unter Zugrundelegung der jeweils geltenden gesetzlichen und landesspezifischen Bedingungen. Dieses Garantie erstreckt sich nicht auf Gehäusedefekte und nicht auf Schäden, die auf Missbrauch, bestimmungswidrigen Einsatz oder normalen Verschleiß zurückzuführen sind. Im Schadensfall senden Sie das nicht zerlegte Elektrowerkzeug zusammen mit dem GARANTIESCHEIN, den Sie am Ende der Bedienungsanleitung finden, an ein von Hitachi autorisiertes Servicecenter.

**HINWEIS:**

Aufgrund des ständigen Forschungs und Entwicklung sprogramms von HITACHI sind änderungen der hierin gemachten technischen Angaben vorbehalten.

**Information über Betriebslärm und Vibration**

Die gemessenen Werte wurden entsprechend EN60745 bestimmt und in Übereinstimmung mit ISO 4871 ausgewiesen.

Gemessener A-gewichteter Schallpegel: 103 dB (A)

Gemessener A-gewichteter Schalldruck: 92 dB (A)

Messunsicherheit KpA: 3 dB (A)

Bei der Arbeit immer einen Gehörschutz tragen.

Gesamtvibrationswerte (3-Achsen-Vektorsumme), bestimmt gemäß EN60745.

Bei Befestigung der Halterung die Maximalkapazität des Werkzeugs beachten:

Vibrationsemissionswert  $a_h = 18,1 \text{ m/s}^2$

Messunsicherheit K = 1,5  $\text{m/s}^2$

Die angegebenen Gesamtvibrationswerte wurden entsprechend einem standardisierten Testverfahren gemessen und können dazu verwendet werden, Werkzeuge miteinander zu vergleichen.

Außerdem können sie zur vorbereitenden Expositionseinschätzung verwendet werden.

**WARNUNG**

- Der Vibrationsemissionswert während der tatsächlichen Benutzung des Elektrowerkzeugs kann von dem deklarierten Gesamtwert abweichen, abhängig davon, wie das Werkzeug verwendet wird.
- Zur Festlegung der Sicherheitsmaßnahmen zum Schutz des Bedieners, die auf einer Expositionseinschätzung unter den tatsächlichen Benutzungsbedingungen beruhen (unter Berücksichtigung aller Bereiche des Betriebszyklus, darunter neben der Triggerzeit auch die Zeiten, in denen das Werkzeug ausgeschaltet ist oder im Leerlaufbetrieb läuft).

## AVERTISSEMENTS DE SÉCURITÉ GÉNÉRAUX CONCERNANT LES OUTILS ÉLECTRIQUES

### ⚠ AVERTISSEMENT

Lire tous les avertissements de sécurité et toutes les instructions

Tout manquement à observer ces avertissements et instructions peut engendrer des chocs électriques, des incendies et/ou des blessures graves.

Conservez tous les avertissements et toutes les instructions pour vous y référer ultérieurement.

Le terme "outil électrique", utilisé dans les avertissements, se réfère aux outils électriques (câblé) ou aux outils à piles (sans fil).

#### 1) Sécurité sur l'aire de travail

- Maintenir l'aire de travail propre et bien éclairée.**  
*Les endroits encombrés ou sombres sont propices aux accidents.*
- Ne pas utiliser d'outils électriques en présence de liquides, gaz ou poussière inflammables, au risque de provoquer une explosion.**  
*Les outils électriques créent des étincelles susceptibles d'enflammer la poussière ou les vapeurs.*
- Ne pas laisser les enfants et les visiteurs s'approcher de vous lorsque vous utiliser un outil électrique.**  
*Les distractions peuvent faire perdre le contrôle.*

#### 2) Sécurité électrique

- Les prises de l'outil électrique doivent correspondre à la prise secteur.**  
**Ne jamais modifier la prise.**  
**Ne pas utiliser d'adaptateurs avec les outils électriques mis à la masse.**  
*Les prises non modifiées et les prises secteurs correspondantes réduisent les risques de choc électrique.*
- Éviter tout contact avec les surfaces mises à la masse telles que les tuyaux, radiateurs, bandes et réfrigérateurs.**  
*Le risque de choc électrique est accru en cas de mise à la masse du corps.*
- Ne pas exposer les outils électriques à la pluie ou à des conditions humides.**  
*Si l'eau pénètre dans l'outil, cela augmente les risques de choc électrique.*
- Ne pas utiliser le cordon à tort. Ne jamais utiliser le cordon pour transporter ou débrancher l'outil électrique.**  
**Maintenir le cordon loin de la chaleur, de l'huile, des bords pointus ou des pièces mobiles.**  
*Les cordons endommagés ou usés augmentent les risques de choc électrique.*
- En cas d'utilisation d'un outil électrique à l'extérieur, utiliser un cordon de rallonge adapté à un usage extérieur.**  
*L'utilisation d'un cordon adapté à l'usage extérieur réduit les risques de choc électrique.*
- Si vous devez utiliser un outil électrique dans un endroit humide, utilisez une alimentation protégée contre les courants résiduels.**  
*L'utilisation d'un dispositif de protection contre les courants résiduels réduit le risque de choc électrique.*

#### 3) Sécurité personnelle

- Restez alerte, regarder ce que vous faites et usez de votre bon sens en utilisant un outil électrique.**  
**Ne pas utiliser d'outil électrique si vous êtes sous l'influence de drogues, d'alcool ou de médicaments.**  
*Pendant l'utilisation d'outils électrique, un instant d'inattention peut entraîner des blessures graves.*
- Utiliser un équipement de protection individuelle.**  
**Toujours porter des verres de protection.**  
*L'utilisation d'équipements de protection tels que les masques anti-poussière, les chaussures de sécurité anti-dérapantes, les casques ou les protections auditives dans des conditions appropriées réduisent les risques de blessures.*
- Empêcher les démarrages intempestifs. Veiller à ce que l'interrupteur soit en position d'arrêt avant de brancher à une source d'alimentation et/ou une batterie, de ramasser l'outil au sol ou de le transporter.**  
*Transporter les outils électriques avec le doigt sur l'interrupteur ou brancher les outils électriques avec l'interrupteur en position de marche peut entraîner des accidents.*
- Retirer toute clé de sécurité ou clé avant de mettre l'outil électrique en marche.**  
*Laisser une clé ou une clé de sécurité sur une partie mobile de l'outil électrique peut engendrer des blessures.*
- Ne pas trop se pencher. Toujours garder une bonne assise et un bon équilibre pendant le travail.**  
*Cela permet un meilleur contrôle de l'outil électrique dans des situations imprévisibles.*
- Porter des vêtements adéquats. Ne pas porter de vêtements amples ni de bijoux. Maintenir les cheveux, les vêtements et les gants loin des pièces mobiles.**  
*Les vêtements amples ou les cheveux longs peuvent se prendre dans les pièces mobiles.*
- En cas de dispositifs destinés au raccordement d'installations d'extraction et de recueil de la poussière, veiller à ce qu'ils soient correctement raccordés et utilisés.**  
*L'utilisation d'un dispositif de collecte de la poussière peut réduire les dangers associés à la poussière.*

#### 4) Utilisation et entretien d'un outil électrique

- Ne pas forcer sur l'outil électrique. Utiliser l'outil électrique adapté à vos travaux.**  
*Le bon outil électrique fera le travail mieux et en toute sécurité au régime pour lequel il a été conçu.*
- Ne pas utiliser l'outil électrique si l'interrupteur ne le met pas en position de marche et d'arrêt.**  
*Tout outil ne pouvant être contrôlé par l'interrupteur est dangereux et doit être réparé.*
- Débrancher la prise et/ou la batterie avant de procéder à des réglages, au remplacement des accessoires ou au stockage des outils électriques.**  
*Ces mesures préventives de sécurité réduisent les risques de démarrage accidentel de l'outil électrique.*
- Stockez les outils électriques inutilisés hors de la portée des enfants et ne pas laisser des personnes non familiarisées avec l'outil ou ces instructions utiliser l'outil électrique.**  
*Les outils électriques sont dangereux entre les mains d'utilisateurs non habilités.*

- e) **Entretien des outils électriques. Vérifier l'absence de mauvais alignement ou d'arrêt, d'endommagement de pièces ou toute autre condition susceptible d'affecter l'opération de l'outil. Si l'outil est endommagé, le faire réparer avant utilisation.**  
*De nombreux accidents sont dus à des outils mal entretenus.*
- f) **Maintenir les outils coupants aiguisés et propres. Des outils coupants bien entretenus avec des bords aiguisés sont moins susceptibles de se coincer et plus simples à contrôler.**
- g) **Utiliser l'outil électrique, les accessoires et les mèches de l'outil, etc. conformément à ces instructions en tenant compte des conditions d'utilisation et du travail à réaliser.**  
*L'utilisation de l'outil électrique pour des opérations différentes de celles pour lesquelles il a été conçu est dangereuse.*
- 5) **Utilisation et entretien de l'outil à batterie**
- a) **Recharger uniquement avec le chargeur spécifié par le fabricant.**  
*Un chargeur adapté pour un type de batterie peut constituer un risque d'incendie en cas d'utilisation avec une autre batterie.*
- b) **Utiliser les outils électriques exclusivement avec les batteries désignées.**  
*L'utilisation d'autres batteries peut entraîner un risque de blessures et d'incendie.*
- c) **Lorsque la batterie n'est pas utilisée la garder à l'écart d'objets métalliques tels que trombones, pièces, clés, clous, vis ou autres petits objets métalliques pouvant interférer avec les bornes de la batterie.**  
*L'interférence avec les bornes de la batterie peut entraîner des brûlures ou un incendie.*
- d) **Dans des conditions extrêmes, du liquide peut couler de la batterie ; éviter tout contact. En cas de contact accidentel, rincer à l'eau. En cas de contact avec les yeux, consulter un médecin.**  
*Le liquide de la batterie peut entraîner des irritations ou des brûlures.*
- 6) **Service**
- a) **Faire entretenir l'outil électrique par un technicien habilité à l'aide de pièces de rechange identiques exclusivement.**  
*Cela garantira le maintien de la sécurité de l'outil électrique.*
2. Outil portatif destiné au serrage et au desserrage des vis. Utiliser l'outil uniquement à ces fins.
3. Mettre des tampons dans les oreilles pour une utilisation prolongée.
4. Manipuler le chargeur d'une seule main est extrêmement dangereux. Dès lors, toujours le tenir fermement des deux mains.
5. Après avoir installé la mèche, tirer légèrement sur celle-ci pour s'assurer qu'elle est fermement fixée. En effet, si la mèche n'est pas bien mise en place, elle pourrait se détacher de l'outil et provoquer un accident.
6. Utiliser la mèche qui correspond à la vis.
7. Le fait de serrer une vis à un angle inadéquat peut endommager la tête de la vis et de plus, il est alors impossible de transmettre la force requise à cette vis. Dès lors, toujours serrer les vis en alignant la perceuse perpendiculairement à celles-ci.
8. Chargez toujours la batterie à une température de 0°C – 40°C. Le fait de charger la batterie à des températures inférieures à 0°C ou supérieures à 40°C peut nuire à la qualité du chargement et réduire la durée de vie de la batterie.  
La température la plus appropriée serait de 20 – 25°C.
9. Quand une charge a été effectuée, laissez le chargeur au repos pendant environ 15 minutes avant de recommencer la prochaine charge de batterie.
10. Ne laissez pas de corps étrangers pénétrer par le trou de raccord de la batterie rechargeable.
11. Ne désassemblez jamais la batterie rechargeable et le chargeur.
12. Ne court-circuitez jamais la batterie rechargeable. Le fait de court-circuiter la batterie générera un courant électrique élevé et une surchauffe, ce qui entraînera la brûlure ou l'endommagement de la batterie.
13. Ne jetez pas la batterie au feu. Elle pourrait exploser.
14. Apportez la batterie au magasin où vous l'avez achetée dès que la durée de vie de post-charge de la batterie devient trop courte pour une utilisation pratique. Ne jetez pas de batterie usagée.
15. L'utilisation d'une batterie usagée endommagera le chargeur.
16. Ne pas insérer d'objets dans les fentes de ventilation du chargeur. Ne pas introduire d'objets métalliques ou des pro divers inflammables dans les fentes d'aération du chargeur, cela provoquera un choc électrique ou endommagera le chargeur.

## PRECAUTIONS

Maintenir les enfants et les personnes infirmes éloignés. Lorsque les outils ne sont pas utilisés, ils doivent être rangés hors de portée des enfants et des personnes infirmes.

## PRECAUTIONS POUR LA PERCEUSE À PERCUSSION SUR BATTERIE

1. **Tenez l'outil électrique en mettant les mains sur les surfaces de prise isolées lorsque vous effectuez une opération pendant laquelle l'attache est susceptible d'entrer en contact avec des fils cachés.** Une attache entrant en contact avec un fil "sous tension" risque de provoquer la mise "sous tension" des éléments métalliques exposés de l'outil électrique, ce qui risque de résulter en un choc électrique pour l'opérateur.

## PRÉCAUTIONS RELATIVES À LA BATTERIE AU LITHIUM ION

Pour prolonger sa durée de vie, la batterie lithium-ion est équipée d'une fonction de protection qui coupe automatiquement l'alimentation.

Dans les cas 1 à 3 décrits ci-dessous, il est possible que le moteur s'arrête lorsque vous utilisez ce produit, même si vous actionnez le commutateur. Il ne s'agit pas d'un dysfonctionnement, mais du fonctionnement normal de la protection.

1. Lorsque la charge restante de la batterie diminue, le moteur s'arrête.  
Dans ce cas de figure, chargez immédiatement la batterie.

2. En cas de surcharge de l'outil, actionnez le commutateur de l'outil et éliminez les causes de la surcharge. Vous pouvez ensuite recommencer à utiliser l'outil.
3. En cas de surchauffe due à un travail trop intensif, l'alimentation de la batterie peut se couper. Dans ce cas, arrêtez toute utilisation de la batterie et laissez-la refroidir. Vous pouvez ensuite recommencer à l'utiliser.

En outre, respectez la précaution et l'avertissement suivants.

## AVERTISSEMENT

Afin d'éviter toute fuite de la batterie, génération de chaleur, émission de fumée, explosion et inflammation, respectez scrupuleusement les précautions suivantes :

1. Assurez-vous que les copeaux et la poussière ne s'accumulent pas sur la batterie.
  - Lorsque vous travaillez, assurez-vous que les copeaux et la poussière ne tombent pas sur la batterie.
  - Assurez-vous que les copeaux et la poussière qui tombent sur l'outil lorsque vous travaillez ne s'accumulent pas sur la batterie.
  - Ne conservez pas une batterie inutilisée dans un endroit qui est exposé aux copeaux et à la poussière.
  - Avant de stocker une batterie, retirez tous les copeaux et la poussière qui ont pu y adhérer et ne la conservez pas avec des pièces métalliques (vis, clous, etc.).
2. Ne percez pas la batterie à l'aide d'un objet pointu tel qu'un clou. Ne la frappez pas à l'aide d'un marteau. Ne marchez pas dessus, ne la lancez pas et ne la soumettez pas un à choc physique important.
3. N'utilisez pas une batterie dont l'extérieur est déformé ou laisse penser qu'elle est défectueuse.
4. N'insérez pas la batterie à l'envers (pôles inversés).
5. Ne raccordez pas directement la batterie à une prise électrique ou à un allume-cigare.
6. N'utilisez pas la batterie à d'autres fins que celle spécifiée.
7. En cas d'échec du chargement d'une batterie, même après un certain délai, arrêtez immédiatement le chargement.

8. N'exposez pas la batterie à des températures ou à une pression élevées (four à micro-ondes, séchoir, conteneur sous haute pression).
9. Maintenez à la batterie à l'écart de toute flamme en cas de détection d'une fuite ou d'une mauvaise odeur.
10. Ne pas utiliser à proximité d'une source puissante d'électricité statique.
11. En cas de fuite de la batterie, de mauvaise odeur, de génération de chaleur, de décoloration, de déformation ou d'anomalie en cours d'utilisation, de rechargement ou d'entreposage, ôtez immédiatement la batterie de l'équipement ou du chargeur de batterie et ne l'utilisez plus.

## PRECAUTION

1. En cas de projection dans les yeux de liquide ayant fuit de la batterie, ne vous frottez pas les yeux, rincez-les à l'eau claire et contactez immédiatement un médecin.  
En l'absence de traitement, le liquide peut détériorer l'oeil.
2. En cas de projection de liquide ayant fuit de la batterie sur votre peau ou vos vêtements, rincez immédiatement ces derniers à l'eau claire (au robinet).  
Le liquide peut provoquer une irritation de la peau.
3. En cas de détection de rouille, de mauvaise odeur, de surchauffe, de décoloration, de déformation et/ou autres anomalies lors de la première utilisation de la batterie, n'utilisez pas cette dernière et renvoyez-la au fournisseur ou au fabricant.

## AVERTISSEMENT

Un court-circuit risque de se produire et causer un incendie, si un corps étranger conducteur d'électricité passe dans les bornes de la pile au lithium-ion. Veuillez respecter les consignes suivantes pour le rangement de la pile.

- **Ne pas mettre d'objet conducteur d'électricité, tels que clous, fil d'acier, de cuivre ou autre fil dans la mallette de rangement.**
- **Soit ranger le bloc de pile avec l'outil électrique ou de manière sécuritaire en l'enfonçant dans le couvercle jusqu'à ce que les orifices de ventilation soient dissimulés afin d'éviter les courts-circuits. (Voir la Fig. 1)**

## SPECIFICATIONS

### OUTIL ELECTRIQUE

Vitesse à vide	0-2500 min <sup>-1</sup>
Capacité (boulon ordinaire)	M5 – M12
Couple de serrage (Maximum)	95 N·m
Batterie rechargeable	BCL1015: Li-ion 10,8 V (1,5 Ah 3 piles)
Poids	1,0 kg

### CHARGEUR

Modèle	UC10SFL
Tension de charge	10,8 V
Poids	0,35 kg

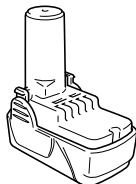
### ACCESSOIRES STANDARD

WH10DFL (2LCSK)	① Mèche-visseuse cruciforme (No. 2 x 50L) ..	1
	② Batterie (BCL1015) .....	2
	③ Chargeur (UC10SFL) .....	1
	④ Boîtier en plastique .....	1
	⑤ Couvercle de batterie .....	1

Les accessoires standard sont sujets à changement sans préavis.

**ACCESSOIRES SUR OPTION  
(vendus séparément)**

1. Batterie (BCL1015)



Les accessoires à option sont sujets à changement sans préavis.

**AMPLIFICATION**

- Enfoncement et extraction de vis mécaniques, vis de bois, vis de taraudage, etc.

**EXTRACTION ET INSTALLATION DE LA BATTERIE**

**1. Retrait de la batterie**

Maintenir fermement la poignée et pousser le taquet de la batterie pour l'enlever (Voir Fig. 1 et 2).

**ATTENTION**

Ne jamais court-circuiter la batterie.

**2. Mise en place de la batterie**

Insérer la batterie tout en respectant la polarité (voir Fig. 2).

**CHARGE**

Avant d'utiliser la perceuse électrique, chargez la batterie comme suit.

**1. Brancher le cordon d'alimentation du chargeur sur une prise secteur.**

Quand vous raccordez la fiche du chargeur à une prise murale, le voyant témoin clignote en rouge (à intervalles d'une seconde).

**2. Insérer la batterie dans le chargeur.**

Insérer fermement la pile dans le chargeur, jusqu'à ce qu'elle entre en contact avec le fond du chargeur comme illustré Fig. 3.

**3. Recharge**

Quand vous insérez une batterie dans le chargeur, le voyant témoin s'allume en rouge.

Quand la batterie est complètement chargée, le voyant témoin clignote en rouge (à intervalles d'une seconde). (voir Tableau 1)

**(1) Explication de la lampe témoin**

Les explications de la lampe témoin se trouvent sur le Tableau 1, en fonction de l'état du chargeur ou de la pile rechargeable.

Tableau 1

		Explications de la lampe témoin		
Lampe témoin (rouge)	Avant la recharge	Clignote	S'allume pendant 0,5 seconde. Ne s'allume pas pendant 0,5 seconde. (Eteint pendant 0,5 seconde) ■   ■   ■	\
	Pendant la recharge	S'allume	S'allume sans interruption ■■■■■■■■■■■■■■■■■■■■	
	Recharge terminée	Clignote	S'allume pendant 0,5 seconde. Ne s'allume pas pendant 0,5 seconde. (Eteint pendant 0,5 seconde) ■   ■   ■	
	Veille en surchauffe	Clignote	S'allume pendant 1 seconde. Ne s'allume pas pendant 0,5 seconde. (Eteint pendant 0,5 seconde) ■■■■   ■■■■	Batterie en surchauffe. Chargement impossible (le chargement commencera une fois que la batterie sera froide).
	Recharge impossible	Clignote	S'allume pendant 0,1 seconde. Ne s'allume pas pendant 0,1 seconde. (Eteint pendant 0,1 seconde) ■■■■■■■■■■■■■■■■■■■■	Anomalie de la batterie ou du chargeur

(2) Au sujet de la température de la batterie rechargeable  
Les plages de température des batteries rechargeables sont indiquées dans le Tableau 2; en outre, vous devez laisser refroidir les batteries avant de les recharger.

Tableau 2 Plage de recharge des batteries

Batteries rechargeables	Températures de recharge de la batterie
BCL1015	0°C – 50°C

- (3) Au sujet du temps de recharge  
 Suivant le type de chargeur et de batterie, le temps de recharge indiqué sur le **Tableau 3** varie comme suit:

**Tableau 3** Temps de recharge (à 20°C)

Chargeur	UC10SFL
Batterie BCL1015	Env. 40 min.

### REMARQUE

Le temps de recharge peut varier selon la température et la tension de la source.

4. **Débrancher le cordon d'alimentation secteur de la prise secteur**

5. **Tenir fermement le chargeur et dégager la batterie**

### REMARQUE

Bien sortir la batterie du chargeur après usage, et la conserver.

### Comment prolonger la durée de vie des batteries

- (1) Recharger les batteries avant qu'elles ne soient complètement épuisées.

Quand la puissance de l'outil utilisé faiblit, l'éteindre et recharger la batterie. Si l'outil continue d'être utilisé jusqu'à épuisement du courant électrique, la batterie risque d'être endommagée et sa durée de vie se raccourcira.

- (2) Éviter d'effectuer la recharge sous des températures élevées.

Une batterie est toujours chaude immédiatement après son utilisation. Si la batterie est rechargée immédiatement après utilisation, les substances chimiques internes risquent de se détériorer et la durée de vie de la batterie se raccourcira. Laisser la batterie refroidir un moment avant de l'utiliser.

### ATTENTION

- Si la batterie est chaude quand elle est rechargée, parce qu'elle est restée longtemps en plein soleil ou parce qu'elle vient juste d'être utilisée, la lampe pilote du chargeur clignote en s'allumant pendant 1 seconde, puis en s'éteignant pendant 0,5 seconde. Dans une telle éventualité, laisser la batterie refroidir, puis procéder à la recharge.
- Quand la lampe témoin clignote rapidement (à intervalles de 0,2 seconde), vérifier le chargeur et retirer tout objet étranger qui serait tombé dans son connecteur. S'il n'y a rien d'anormal, il est alors probable que la batterie ou le chargeur fonctionne mal. Dans ce cas, les enlever et les porter à un réparateur agréé.
- Etant donné qu'il faut environ 3 secondes au micro-ordinateur intégré pour confirmer l'extraction de la batterie en cours de chargement avec UC10SFL, attendre 3 secondes au minimum avant de la réinsérer pour continuer le chargement. Si la batterie est réinsérée dans les 3 secondes, elle risque de ne pas être correctement rechargée.

## AVANT LA MISE EN MARCHÉ

1. **Installation et vérification de l'environnement de travail**

Vérifier si l'environnement de travail est adéquat en suivant les précautions ci-dessus.

## UTILISATION

1. **Mise en place de la mèche**

Pour installer la mèche, toujours se reporter aux démarches suivantes. (Fig. 4)

- (1) Repousser le manchon-guide vers l'avant.
- (2) Insérer la mèche dans l'orifice hexagonal de la douille.
- (3) Relâcher le manchon-guide et le replacer à sa position originale.

### ATTENTION

Si le manchon-guide n'est pas replacé à sa position originale, la mèche n'est pas installée correctement.

2. **Retrait de la mèche**

Procéder dans le sens inverse de l'installation de la mèche.

3. **Vérifiez se la batterie a été correctement installée**

4. **Vérifiez la direction de rotation.**

La mèche tourne dans le sens horaire (vu de l'arrière) quand on appuie sur côté-R du sélecteur. En appuyant sur côté-L du sélecteur la mèche tourne dans le sens anti-horaire (Voir Fig. 5) (Les repères (L) et (R) sont marqués sur le corps).

5. **Fonctionnement de l'interrupteur**

- Quand le trigger de l'interrupteur est tiré, l'outil tourne. Quand le trigger est relâché, l'outil s'arrête.
- La vitesse de rotation de la foreuse peut être contrôlée en faisant varier la force avec laquelle on appuie sur l'interrupteur. En appuyant légèrement sur l'interrupteur, la vitesse est basse et elle augmente lorsqu'on appuie plus fort.

### REMARQUE

Un bourdonnement est émis lorsque le moteur est sur le point de tourner. Ce simple bruit n'est pas le signe d'une défaillance de l'appareil.

6. **Utilisation de l'éclairage**

Appuyez sur le déclencheur pour allumer le témoin. Le témoin reste allumé tant que vous appuyez sur le déclencheur. Le témoin s'éteint dès que vous avez relâché le déclencheur (Fig. 6).

### ATTENTION

Ne pas regarder directement la lumière au risque de provoquer des blessures oculaires.

7. **Serrage et desserrage des vis**

Installer une mèche correspondant à la vis, faire coïncider la mèche avec les rainures sur la tête de la vis, puis commencer à serrer. Appuyer sur la perceuse juste assez pour que la mèche tienne dans les rainures.

### ATTENTION

Si l'on serre trop longtemps une vis, celle-ci peut se briser.

Si l'on serre une vis à un angle inadéquat, la tête de vis peut être endommagée et de plus, il est impossible de transmettre à la vis la force requise. Dès lors, toujours aligner la visseuse perpendiculairement aux vis.

## PRECAUTIONS DE FONCTIONNEMENT

1. **Repos de l'appareil après un travail continu**

Après un travail de serrage de boulons effectué de façon continue, laisser l'outil reposer pendant environ 15 minutes lors du remplacement de la batterie. La température du moteur, de la gâchette, etc.

augmentera si le travail est repris tout de suite après le remplacement de la batterie, ce qui risque de provoquer un grillage.

#### REMARQUE

Ne pas toucher les pièces métalliques, car elles deviennent très chaudes lors d'un travail continu.

#### 2. Précautions d'utilisation du sélecteur de réglage de vitesse

Ce sélecteur comprend un circuit électronique intégré qui fait varier à l'infini la vitesse de rotation. Par conséquent, si la gâchette de sélection n'est tirée que légèrement (faible vitesse de rotation) et le moteur est arrêté tout en vissant des vis en continu, les composants du circuit électronique risquent de chauffer et d'être endommagés.

#### 3. Utiliser le couple de serrage adapté à chaque type de vis

Le couple de serrage approprié varie en fonction du matériau et de la taille de la vis, ainsi que le matériau dans lequel elle est vissée. Par conséquent, utiliser un temps de serrage approprié. Plus particulièrement, si l'on utilise un long temps de serrage dans le cas de vis de taille inférieure à M8, celles-ci peuvent se briser parce que trop longtemps serrées. Dès lors, vérifier, avant toute chose, le couple et le temps de serrage.

#### 4. Travailler à un couple de serrage convenable pour le boulon percuté

Le couple de serrage optimal pour écrous et boulons diffère en fonction de la matière et de la taille des écrous et des boulons. Un couple de serrage trop important pour un petit boulon risque de déformer ou de fendre le boulon. Le couple augmente proportionnellement au temps de fonctionnement. Utiliser le réglage d'échelle et le temps de fonctionnement appropriés pour le boulon.

#### 5. Vérifier le couple de serrage

Les facteurs suivants contribuent à une réduction du couple de serrage. Ainsi, vérifier le couple de serrage réel désiré en serrage quelques boulons avec une clé dynamométrique à main avant d'effectuer le travail. Facteurs influençant le couple de serrage.

##### (1) Tension

Si la marge de décharge est atteinte, la tension décroît et le couple de serrage diminue.

##### (2) Temps de fonctionnement

Le couple de serrage augmente quand le temps de fonctionnement augmente. Toutefois, le couple de serrage n'augmente pas au-dessus d'une certaine valeur, ceci même si l'appareil fonctionne pendant longtemps.

##### (3) Diamètre de boulon

Le couple de serrage varie en fonction de la taille du boulon. En règle générale, un boulon de diamètre plus large nécessite un couple de serrage plus important.

##### (4) Conditions de serrage

Le couple de serrage diffère selon le rapport de couple, la classification et la longueur des boulons et ceci même si des boulons ayant des filetages de dimensions identiques sont utilisés. Le couple diffère aussi en fonction de l'état du métal à la surface à travers lequel les boulons doivent être serrés.

## ENTRETIEN ET VERIFICATION

### 1. Inspection de la mèche

Utiliser une mèche brisée ou usée présente un danger réel, car ce genre de mèche peut jaillir de l'outil. Remplacer la mèche.

### 2. Vérifiez régulièrement toutes les vis de fixation

Vérifiez régulièrement toutes les vis de fixation et assurez-vous qu'elles sont bien serrées. S'il advient qu'une vis se desserre, la resserrer immédiatement. Le fait de négliger ce point pourrait entraîner de sérieux dangers.

### 3. Entretien du moteur

Le bobinage de l'ensemble moteur est le "cœur" même de l'outil électro-portatif.

Veiller soigneusement à ce que ce bobinage ne soit pas endommagé et/ou mouillé par de l'huile ou de l'eau.

### 4. Nettoyage de l'extérieur

Quand la perceuse-visseuse est sale, essuyez-la avec un chiffon sec et doux ou un chiffon imbibé d'eau savonneuse.

N'utilisez pas de solvant au chlore, d'essence ou de diluant, car ils font fondre les matières plastiques.

### 5. Rangement

Rangez la perceuse-visseuse dans un endroit où la température est inférieure à 40°C et hors de portée des enfants.

#### REMARQUE

Si vous pensez ne pas avoir à utiliser la pile pendant une longue période (3 mois ou plus), veillez à ce qu'elle soit entièrement chargée avant de la ranger. Une pile moins chargée pourrait ne plus se recharger correctement après une longue période de stockage.

#### 6. Liste des pièces de rechange

#### ATTENTION

Les réparations, modifications et inspections des outils électriques Hitachi doivent être confiées à un service après-vente Hitachi agréé.

Il sera utile de présenter cette liste de pièces au service après-vente Hitachi agréé lorsqu'on apporte un outil nécessitant des réparations ou tout autre entretien.

Lors de l'utilisation et de l'entretien d'un outil électrique, respecter les règlements et les normes de sécurité en vigueur dans le pays en question.

#### MODIFICATIONS :

Les outils électriques Hitachi sont constamment améliorés et modifiés afin d'incorporer les tous derniers progrès technologiques.

En conséquence, il est possible que certaines pièces soient modifiées sans avis préalable.

#### Avis important sur les batteries pour outils électriques sans fil Hitachi

Toujours utiliser une de nos batteries originales spécifiées. Nous ne saurions garantir la sécurité et la performance de notre outil électrique sans fil s'il est utilisé avec une batterie autre que celle que nous avons spécifié, ou encore si la batterie est démontée et modifiée (par exemple, le démontage et remplacement des cellules ou autres composants internes).

---

## GARANTIE

---

Nous garantissons que l'ensemble des Outils électriques Hitachi sont conformes aux réglementations spécifiques statutaires/nationales. Cette garantie ne couvre pas les défauts ni les dommages inhérents à une mauvaise utilisation, une utilisation abusive ou l'usure et les dommages normaux. En cas de réclamation, veuillez envoyer l'Outil électrique, en l'état, accompagné du CERTIFICAT DE GARANTIE qui se trouve à la fin du Mode d'emploi, dans un service d'entretien autorisé.

---

### REMARQUE :

Par suite du programme permanent de recherche et de développement HITACHI, ces spécifications peuvent faire l'objet de modifications sans avis préalable.

---

---

### Au sujet du bruit et des vibrations

Les valeurs mesurées ont été déterminées en fonction de la norme EN60745 et déclarées conforme à ISO 4871.

Niveau de puissance sonore pondérée A: 103 dB (A)  
Niveau de pression acoustique pondérée A: 92 dB (A)  
Incertitude KpA: 3 dB (A)

Porter une protection de l'ouïe.

Valeurs totales des vibration (somme vectorielle triaxiale) déterminée conformément à EN60745.

Serrage par percussion de fixations à la capacité maximale de l'outil:

Valeur d'émission de vibration **a<sub>h</sub>**, = 18,1 m/s<sup>2</sup>  
Incertitude K = 1,5 m/s<sup>2</sup>

---

---

La valeur totale des vibrations a été mesurée par une méthode d'essai standard et peut être utilisée pour comparer un outil à un autre.

Elle peut également être utilisée pour une évaluation préliminaire du niveau d'exposition.

### AVERTISSEMENT

- La valeur d'émission de vibration en fonctionnement de l'outil électrique peut être différente de la valeur totale déclarée, en fonction des utilisations de l'outil.
- Pour identifier les mesures de protection de l'utilisateur fondées sur une estimation de l'exposition en conditions d'utilisation (tenant compte de tous les aspects du cycle d'utilisation, tels que les moments où l'outil est mis hors tension ou lorsqu'il tourne à vide en plus des temps de déclenchements).



## AVVERTIMENTI GENERALI DI SICUREZZA SUGLI UTENSILI ELETTRICI

### ⚠ AVVERTENZA

Leggere tutti gli avvertimenti di sicurezza e tutte le istruzioni.

*La mancata osservanza degli avvertimenti e delle istruzioni potrebbe essere causa di scosse elettriche, incendi e/o gravi lesioni.*

Salvare tutti gli avvertimenti e le istruzioni per riferimenti futuri.

*Il termine "elettroutensili" riportato nelle avvertenze si riferisce agli elettroutensili azionati con alimentazione di rete (via cavi) o a batterie (senza cavi).*

#### 1) Sicurezza dell'area operativa

- a) **Mantenere l'area operativa pulita e ordinata.**  
*Aree operative sporche o disordinate possono favorire gli infortuni.*
- b) **Non utilizzare gli elettroutensili in atmosfere esplosive, ad es. in presenza di liquidi, gas o polveri infiammabili.**  
*Gli elettroutensili generano delle scintille che potrebbero accendere la polvere o i fumi.*
- c) **Tenere lontani bambini e astanti durante l'utilizzo degli elettroutensili.**  
*Qualsiasi distrazione può essere causa di perdita di controllo.*

#### 2) Sicurezza elettrica

- a) **Le spine degli elettroutensili devono essere idonee alle prese disponibili.**  
**Non modificare mai le prese.**  
**Con gli elettroutensili a massa (messi a terra), non utilizzare alcun adattatore.**  
*L'utilizzo di spine intatte e corrispondenti alle prese disponibili ridurrà il rischio di scosse elettriche.*
- b) **Evitare qualsiasi contatto con le superfici a massa o a terra, quali tubi, radiatori, fornelli e frigoriferi.**  
*In caso di messa a terra o massa del corpo, sussiste un maggior rischio di scosse elettriche.*
- c) **Non esporre gli elettroutensili alla pioggia o all'umidità.**  
*La penetrazione di acqua negli elettroutensili aumenterà il rischio di scosse elettriche.*
- d) **Non tirare il cavo. Non utilizzarlo per il trasporto, o per tirare o scollegare l'elettroutensile.**  
**Tenere il cavo lontano da fonti di calore, oli, bordi appuntiti o parti in movimento.**  
*Cavi danneggiati o attorcigliati possono aumentare il rischio di scosse elettriche.*
- e) **Durante l'uso degli elettroutensili all'esterno, utilizzare una prolunga idonea per usi esterni.**  
*L'utilizzo di cavi per esterno riduce il rischio di scosse elettriche.*
- f) **Se è impossibile evitare l'impiego di un utensile elettrico in un luogo umido, utilizzare l'alimentazione protetta da un dispositivo a corrente residua (RCD).**  
*L'uso di un RCD riduce il rischio di scosse elettriche.*

#### 3) Sicurezza personale

- a) **Durante l'uso degli elettroutensili, state all'erta, verificate ciò che state eseguendo e adottate sempre il buon senso.**

**Non utilizzate gli elettroutensili qualora siate stanchi, sotto l'influenza di farmaci, alcol o cure mediche.**

*Anche un attimo di disattenzione durante l'uso degli elettroutensili potrebbe essere causa di gravi lesioni personali.*

- b) **Indossate l'attrezzatura di protezione personale. Indossate sempre le protezioni oculari.**  
*L'attrezzatura protettiva, quali maschera facciale, calzature antiscivolo, caschi o protezioni oculari ridurrà il rischio di lesioni personali.*
  - c) **Impedite le accensioni involontarie. Prima del collegamento a una sorgente di alimentazione e/o pacco batteria e prima di raccogliere o trasportare l'utensile, verificate che l'interruttore sia posizionato su OFF.**  
*Il trasporto degli elettroutensili tenendo le dita sull'interruttore o l'attivazione elettrica degli utensile che hanno l'interruttore su ON, implica il rischio di incidenti.*
  - d) **Prima di attivare l'elettroutensile, rimuovete qualsiasi chiave di regolazione.**  
*Lasciando la chiave in un componente in rotazione dell'elettroutensile, sussiste il rischio di lesioni personali.*
  - e) **Mantenersi in equilibrio. Mantenersi sempre su due piedi, in equilibrio stabile.**  
*Ciò consente di controllare al meglio l'elettroutensile in caso di situazioni impreviste.*
  - f) **Vestirsi in modo adeguato. Non indossare abiti larghi o gioielli. Tenere i capelli, gli abiti e i guanti lontano dalle parti in movimento.**  
*Abiti allentati, gioielli e capelli lunghi potrebbero impigliarsi nelle parti in movimento.*
  - g) **In caso di dispositivi provvisti di collegamento ad apparecchiature di rimozione e raccolta polveri, verificare che queste siano collegate e utilizzate in modo adeguato.**  
*L'utilizzo della raccolta della polvere può ridurre i rischi connessi alle polveri.*
- #### 4) Utilizzo e manutenzione degli elettroutensili
- a) **Non utilizzare elettroutensili non idonei. Utilizzare l'elettroutensile idoneo alla propria applicazione.**  
*Utilizzando l'elettroutensile corretto, si garantirà un'esecuzione migliore e più sicura del lavoro, alla velocità di progetto.*
  - b) **Non utilizzare l'elettroutensile qualora non sia possibile accenderlo/spegnerlo tramite l'interruttore.**  
*È pericoloso utilizzare elettroutensili che non possano essere azionati dall'interruttore. Provvedere alla relativa riparazione.*
  - c) **Prima di effettuare qualsiasi regolazione, sostituire gli accessori o depositare gli elettroutensili, scollegare la spina dalla presa elettrica e/o il pacco batteria dall'utensile elettrico.**  
*Queste misure di sicurezza preventive riducono il rischio di avvio involontario dell'elettroutensile.*
  - d) **Depositare gli elettroutensili non utilizzati lontano dalla portata dei bambini ed evitare che persone non esperte di elettroutensili o non a conoscenza di quanto riportato sulle presenti istruzioni azionino l'elettroutensile.**  
*È pericoloso consentire che utenti non esperti utilizzino gli elettroutensili.*

- e) **Manutenzione degli elettrotensili. Verificare che non vi siano componenti in movimento disallineati o bloccati, componenti rotti o altre condizioni che potrebbero influenzare negativamente il funzionamento dell'elettrotensile.**  
**In caso di guasti, provvedere alla riparazione dell'elettrotensile prima di riutilizzarlo.**  
*Molti incidenti sono causati da una scarsa manutenzione.*
- f) **Mantenere gli strumenti di taglio affilati e puliti.**  
*Gli strumenti di taglio in condizioni di manutenzione adeguata, con bordi affilati, sono meno soggetti al bloccaggio e sono più facilmente controllabili.*
- g) **Utilizzare l'elettrotensile, gli accessori, le barrette, ecc. in conformità a quanto riportato nelle presenti istruzioni, tenendo in debita considerazione le condizioni operative e il tipo di lavoro da eseguire.**  
*L'uso dell'utensile elettrico per operazioni diverse da quelle previste potrebbe causare una situazione pericolosa.*
- 5) **Utilizzo e cura dell'utensile batteria**
- a) **Ricaricare solo con il caricatore specificato dal produttore.**  
*Un caricatore adatto per un tipo di gruppo batteria può creare un rischio di incendio quando viene utilizzato con un altro gruppo batteria.*
- b) **Usare utensili elettrici con gruppi batteria specificatamente designati.**  
*L'utilizzo di qualsiasi altro gruppo batteria può creare un rischio di lesioni e incendi.*
- c) **Quando il gruppo batteria non viene utilizzato, tenerlo lontano da altri oggetti metallici come graffette, monete, chiavi, chiodi, viti, o altri piccoli oggetti metallici che possono creare una connessione da un terminale a un altro.**  
*Cortocircuitare i terminali della batteria insieme può causare ustioni o incendi.*
- d) **In condizioni abusive, del liquido può fuoriuscire dalla batteria; evitare il contatto. Se il contatto si verifica accidentalmente, sciacquare con acqua. Se il liquido entra a contatto con gli occhi, richiedere assistenza medica.**  
*Il liquido che fuoriesce dalla batteria può causare irritazioni o ustioni.*
- 6) **Assistenza**
- a) **Affidate le riparazioni dell'elettrotensile a persone qualificate che utilizzino solamente parti di ricambio identiche.**  
*Ciò garantirà il mantenimento della sicurezza dell'elettrotensile.*
- un filo in "tensione" potrebbero esporre le parti metalliche dell'utensile in "tensione" e causare scosse elettriche all'operatore.
2. Questa unità è un attrezzo portatile per stringere ed estrarre viti. Usatelo solo per questa funzione.
  3. Se si deve usare l'utensile per lungo tempo usare dei tamponi per lungo tempo, usare dei tamponi afonizzanti.
  4. È estremamente pericoloso usare l'apparecchio con una mano sola; durante l'uso afferrare saldamente l'apparecchio con entrambe le mani.
  5. Dopo avere installato la testa avvitatrice, tiratela leggermente per controllare che non fuoriesca. Se la testa non è installata a sovrapporre, può uscire durante l'uso e diventare così pericolosa.
  6. Usate la testa avvitatrice di dimensioni adatte alla vite.
  7. Se mentre stringete la vite tenete l'avvitatore battente in modo che formi un angolo con la vite potreste rovinare la testa della vite stessa e quest'ultima non verrebbe girata con forza sufficiente. Tenete quindi l'avvitatore perpendicolare rispetto alla vite.
  8. Caricare la batteria ad una temperatura di 0 – 40°C. Caricare la batteria a temperature al di fuori del campo 0 – 40°C potrebbe impedire una ricarica corretta e ridurre la durata della batteria. La temperatura ideale è compresa 20 – 25 gradi.
  9. Quando un'operazione di ricarica è terminata, prima di iniziarne una seconda, lasciare che il caricatore riposi per 15 minuti.
  10. Non permettere che sostanze estranee entrino nel foro di collegamento della batteria ricaricabile.
  11. Non smontare mai la batteria ricaricabile e il caricatore.
  12. Non provocare assolutamente mai dei corto-circuiti alla batteria ricaricabile. Il fenomeno provoca surriscaldamento e grande corrente elettrica. Può quindi causare bruciateure o danni alla batteria.
  13. Non gettare la batteria nel fuoco. Può esplodere.
  14. Non appena la vita della batteria dopo le operazioni di ricarica diventa troppo breve per fini pratici, si porti la batteria al negozio dove è stata acquistata. Non la si getti mai via.
  15. Usando una batteria scarica, il caricatore può venir danneggiato.
  16. Non inserire nessun oggetto nelle fessure di ventilazione del caricatore. Inserendo oggetti metallici o infiammabili nelle fessure di ventilazione, si possono causare facilmente delle scosse elettriche, o si può danneggiare il caricatore.

## PRECAUZIONI

Tenere lontano dalla portata di bambini e invalidi. Quando non utilizzati, gli strumenti dovranno essere depositi lontano dalla portata di bambini e invalidi.

## PRECAUZIONI PER L'USO DEL AVVITATORE A IMPULSO A BATTERIA PER VITI

1. **Tenere l'utensile dalle superfici isolate quando si esegue una operazione in cui il dispositivo di fissaggio potrebbe venire a contatto con fili nascosti.** I dispositivi di fissaggio a contatto con

## PRECAUZIONI SULLA BATTERIA AGLI IONI DI LITIO

Per estendere la durata, la batteria agli ioni di litio è munita di una funzione di protezione per arrestarne l'uscita. Nei casi da 1 a 3 descritti di seguito, durante l'utilizzo del prodotto, anche se state premendo l'interruttore, il motore potrebbe arrestarsi. Ciò non indica un malfunzionamento ma è il risultato della funzione di protezione.

1. Quando la rimanente alimentazione della batteria si esaurisce, il motore si arresta. In tal caso, ricaricarla immediatamente.

2. Se l'utensile è sovraccarico, il motore potrebbe arrestarsi. In tal caso, rilasciare l'interruttore dell'utensile ed eliminare le cause del sovraccarico. Dopo ciò, sarà possibile riutilizzarlo.
3. Se la batteria si surriscalda in lavori di sovraccarico, l'alimentazione della batteria potrebbe arrestarsi. In tal caso, interrompere l'uso della batteria e lasciarla raffreddare. Dopo di ciò, è possibile riutilizzarla.
8. Non mettere o sottoporre la batteria a temperature elevate o ad alta pressione come in un forno microonde, essiccatore o contenitore ad alta pressione.
9. Tenere immediatamente lontano dal fuoco quando si rilevano perdite o maleodore.
10. Non usare in un luogo dove viene generata forte elettricità statica.

Inoltre, si prega di prestare attenzione al seguente avvertimento e cautela.

#### AVVERTENZA

Per prevenire qualsiasi perdita delle batterie, generazione di calore, emissione di fumi, esplosione e accensione, assicurarsi di prestare attenzione alle seguenti precauzioni.

1. Assicurarsi che la polvere e i detriti non si accumulino sulla batteria.
  - Durante la lavorazione, assicurarsi che la polvere e i detriti non si depositino sulla batteria.
  - Assicurarsi che qualsiasi polvere e detriti che si depositano sull'utensile elettrico durante la lavorazione non si accumulino sulla batteria.
  - Non conservare una batteria inutilizzata in un luogo esposto a polvere e detriti.
  - Prima di ritirare una batteria, rimuovere la polvere e i detriti che si sono depositati su di essa e non conservarla insieme a parti metalliche (viti, chiodi, ecc.).
2. Non forare la batteria con un oggetto appuntito come un chiodo, non colpire con un martello, calpestare, lanciare o sottoporre la batterie a violenti urti fisici.
3. Non usare batterie apparentemente danneggiate o deformate.
4. Non usare batterie con la polarità invertita.
5. Non collegare direttamente a prese elettriche o prese per caricabatteria da auto.
6. Non usare la batteria per uno scopo diverso da quelli specificati.
7. Se la ricarica della batteria non si completa anche quando è passato un tempo di ricarica specificato, interrompere immediatamente la ricarica.

11. Se si verifica la perdita delle batterie, maleodore, generazione di calore, scolorimento o deformazione, o se appaiono anomalie di qualsiasi natura durante l'uso, la ricarica o la conservazione, rimuoverla immediatamente dall'apparecchio o carica batteria, e interrompere l'uso.

#### ATTENZIONE

1. Se il liquido che fuoriesce dalla batteria entra negli occhi, non sfregare gli occhi e lavarli bene con acqua fresca e pulita come acqua di rubinetto e contattare immediatamente un medico. Se non viene trattato, il liquido può causare problemi agli occhi.
2. Se il liquido fuoriesce sulla pelle o gli abiti, lavare bene con acqua pulita come l'acqua del rubinetto immediatamente. C'è una possibilità che possa causare irritazione alla pelle.
3. Se trovate ruggine, maleodore, surriscaldamento, scolorimento, deformazione, e/o altre irregolarità quando si utilizza la batteria per prima volta, non usarla e restituirla al fornitore o venditore.

#### AVVERTENZA

Se un oggetto estraneo conduttivo di elettricità entra nei terminali della batteria agli ioni di litio, potrebbe verificarsi un corto circuito causando il rischio di un incendio. Osservate le seguenti precauzioni quando ritirate la batteria.

- **Non posizionate trucioli, chiodi, cavi in acciaio, rame o altri cavi conduttivi di elettricità nella custodia.**
- **Installate la batteria nell'utensile elettrico o conservatela premendola contro il coperchio per la batteria finché i fori di ventilazione vengono coperti per impedire corto-circuiti. (Vedere Fig. 1)**

## CARATTERISTICHE

### UTENSILE ELETTRICO

Velocità a vuoto	0-2500 min <sup>-1</sup>
Capacità (Bullone ordinario)	M5 – M12
Forza di torsione (Massimo)	95 N·m
Batterie rechargeable	BCL1015: Li-ion 10,8 V (1,5 Ah 3 celle)
Peso	1,0 kg

### CARICATORE

Modello	UC10SFL
Votaggio di carica	10,8 V
Peso	0,35 kg

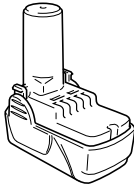
### ACCESSORI STANDARD

WH10DFL (2LCSK)	① Cacciavite a croce (n. 2 × 50L) .....	1
	② Batteria (BCL1015) .....	2
	③ Caricatore (UC10SFL) .....	1
	④ Custodia in plastica .....	1
	⑤ Coperchio per la batteria .....	1

Gli accessori standard possono essere cambiati senza preavviso.

**ACCESSORI FACOLTATIVI (venduti a parte)**

1. Batteria (BCL1015)



Gli accessori disponibili a richiesta possono essere cambiati senza preavviso.

**APPLICAZIONI**

- Per stringere o togliere delle viti di macchina, delle viti per legno, delle viti mordenti etc.

**RIMOZIONE E INSTALLAZIONE DELLA BATTERIA**

**1. Smontaggio della batteria**

Tenere saldamente l'impugnatura e spingere il fermo della batteria, in modo da smontarla (Ved. Fig. 1 e 2).

**ATTENZIONE:**

Non mettere la batteria in corto circuito.

**2. Montaggio della batteria**

Inserire la batteria facendo attenzione alla corretta collocazione delle polarità (ved. Fig. 2).

**RICARICA**

Prima di usare il trapano elettrico, caricare la batteria come indicato di seguito.

**1. Collegare il cavo di alimentazione del caricatore a una presa CA.**

Quando si collega la spina del caricatore ad una presa a muro, la spia pilota lampeggia in rosso (A intervalli di 1 secondo).

**2. Inserire la batteria nel caricatore.**

Inserire saldamente la batteria nel caricatore fino a che tocca il fondo del caricatore come mostrato nella Fig. 3.

**3. Carica**

Quando si inserisce una batteria nel caricatore, la spia pilota si illumina stabilmente in rosso.

Quando la batteria è completamente carica, la spia pilota lampeggia in rosso (A intervalli di un secondo). (Vedere le Tabella 1)

(1) Indicazione della spia

Le indicazioni della spia sono come come indicato nella Tabella 1, a seconda delle condizioni del caricatore o della batteria ricaricabile.

Tabella 1

Indicazioni della spia				
Spia (rossa)	Prima della carica	Lampeggia	Si illumina per 0,5 secondi. Non si illumina per 0,5 secondi. (Spento per 0,5 secondi)	
	Durante la carica	Si illumina	Si illumina stabilmente	
	Carica completa	Lampeggia	Si illumina per 0,5 secondi. Non si illumina per 0,5 secondi. (Spento per 0,5 secondi)	
	Standby di surriscaldamento	Lampeggia	Si illumina per 1 secondi. Non si illumina per 0,5 secondi. (Spento per 0,5 secondi)	Batteria surriscaldata. Impossibile ricaricare (la ricarica comincerà quando la batteria si raffredda).
	Carica impossibile	Lampeggia	Si illumina per 0,1 secondi. Non si illumina per 0,1 secondi. (Spento per 0,1 secondi)	Malfunzionamento della batteria o del caricatore

(2) Temperatura della batteria ricaricabile

Le temperature delle batterie ricaricabili sono come indicato nella Tabella 2. Consentire alle batterie che si sono riscaldate, di raffreddarsi prima ricaricarle.

Tabella 2 Gamma di temperature per la ricarica delle batterie

Batterie ricaricabili	Temperature di carica per le batterie
BCL1015	0°C – 50°C

## (3) Tempo di carica necessario

A seconda della combinazione di caricatore e batterie, il tempo di carica è come indicato nella **Tabella 3**.

**Tabella 3** Tempo di carica (a 20°C)

Batteria	Caricatore	UC10SFL
BCL1015		Circa. 40 min.

**NOTA**

Il tempo di carica può variare a seconda della temperatura e della tensione della fonte di alimentazione.

**4. Scollegare il cavo di alimentazione del caricatore dalla presa CA****5. Tenere saldamente il caricatore e estrarre la batteria****NOTA**

Assicurarsi di estrarre la batteria dal caricatore dopo l'uso e quindi conservarla.

**Come mantenere più lunga la durata delle batterie**

## (1) Ricaricare le batterie prima che si scarichino completamente.

Quando si sente che la potenza dell'attrezzo si indebolisce, interrompere l'uso e ricaricare la batteria. Se si continua l'uso e si finisce la corrente elettrica, la batteria può essere danneggiata e la sua durata abbreviarsi.

## (2) Evitare di raggiungere alte temperature.

Una batteria ricaricabile si riscalda subito dopo l'uso. Se si ricarica una batteria subito dopo averla usata, la sostanza chimica interna viene deteriorata e la durata della batteria abbreviata. Consentire alla batteria di raffreddarsi per un po' e quindi ricaricarla.

**ATTENZIONE:**

- Se la batteria viene caricata mentre è calda perché rimasta esposta a lungo ai raggi solari o perché immediatamente dopo l'uso della batteria, la spia pilota del caricatore lampeggia illuminandosi per 1 secondo e non illuminandosi per 0,5 secondi (spenta per 0,5 secondi.) In questo caso, prima lasciar raffreddare la batteria e poi eseguire l'operazione di carica.
- Quando la spia lampeggia velocemente (a intervalli di 0,2 secondi), controllare che non siano presenti oggetti estranei nel connettore della batteria del caricatore. Se non sono presenti oggetti estranei è probabile che la batteria od il caricatore non funzionino bene. Farla vedere a un Agente di manutenzione autorizzato.
- Poiché il micro computer incorporato impiega circa 3 secondi per confermare che la batteria caricata con l'UC10SFL è stata espulsa, aspettare almeno 3 secondi prima di reinserirla per continuare il caricamento. Se la batteria viene reinserita entro 3 secondi, essa può non essere caricata in modo appropriato.

**PRIMA DI INIZIARE LE OPERAZIONI****1. Stabilire e controllare l'ambiente di lavoro**

Controllare che l'ambiente di lavoro sia adatto seguendo le precauzioni di cui sopra.

**OPERAZIONE****1. Installazione della testa avvitatrice**

Per installare la testa avvitatrice, seguite sempre le procedure seguenti. (Fig. 4)

- (1) Tirare in avanti il manicotto guida.
- (2) Inserite la testa avvitatrice nel foro esagonale nella presa.
- (3) Lasciate andare il manicotto guida in modo che ritorni nella sua posizione originale.

**ATTENZIONE**

Se il manicotto guida non fa ritorno alla sua posizione originale, la testa avvitatrice non è bene installata.

**2. Rimozione della punta**

Si prega di effettuare il procedimento inverso rispetto al metodo di installazione della punta.

**3. Assicurarsi che la batteria sia montata in modo corretto****4. Controllare la direzione della rotazione**

La punta gira in senso orario (come visto dal retro) se si preme la parte di destra R del selettore.

Per far girare la punta in senso antiorario premere la parte sinistra L del selettore (Vedere Fig. 5) (I contrassegni (L) ed (R) sono appostati sul corpo dell'attrezzo).

**5. Funzionamento dell'interruttore**

- Premendo il grilletto interruttore, l'utensile si mette in movimento.

Lasciando andare il grilletto, il motore si ferma.

- La velocità di rotazione del trapano può essere dell'interruttore viene premuto. La velocità è bassa quando il grilletto dell'interruttore viene premuto leggermente, e aumenta a mano a mano che l'interruttore viene premuto maggiormente.

**NOTA**

Prima di cominciare a ruotare, il motore produce un ronzio. Tale rumore non è indice di cattivo funzionamento delle macchina.

**6. Utilizzo della luce**

Tirare l'interruttore della luce per illuminare la luce. La luce continua a illuminarsi mentre viene tirato l'interruttore del grilletto. La luce si spegne dopo che viene rilasciato l'interruttore del grilletto. (Fig. 6)

**ATTENZIONE**

Non fissare direttamente la luce. Ciò potrebbe causare lesioni agli occhi.

**7. Stringere ed estrarre viti**

Installate la testa avvitatrice adatta alle viti, poi allineatela con le scanalature delle teste delle viti e stringetele.

L'attrezzo va spinto solo quanto basta per mantenere la lama della testa avvitatrice nella scanalatura della testa della vite.

**ATTENZIONE**

Se stringete una vite troppo a lungo, potreste stringerla troppo o spezzarla.

Se stringete una vite tenendo l'attrezzo in modo che formi un angolo con l'asse della vite stessa, potreste danneggiarne la testa, inoltre la vite non verrebbe stretta con forza sufficiente. Tenete perciò il giravite battente sempre perpendicolare all'asse della vite.

## PRECAUZIONI NELL'USO

### 1. Riposo dell'unità dopo lavoro continuo

Dopo un lavoro continuo di serraggio bulloni, lasciar riposare l'unità per 15 minuti circa quando si sostituisce la batteria. La temperatura del motore, interruttore, ecc. sale se si riprende immediatamente il lavoro dopo la sostituzione della batteria, con il rischio che si bruci tutto.

### NOTA

Non toccare le parti metalliche, perché diventano molto calde durante il funzionamento continuo.

### 2. Avvertenze sull'uso dell'interruttore di controllo della velocità

Questo interruttore ha un circuito elettronico incorporato che cambia la velocità di rotazione. Di conseguenza, quando la levetta di scatto dell'interruttore viene tirata solo leggermente (rotazione a bassa velocità) e il motore viene fermato mentre avvita continuamente delle viti, i componenti delle parti del circuito elettronico possono surriscaldarsi ed essere danneggiati.

### 3. Usate un tempo di fissaggio adeguato alla vite

Il momento di forze appropriato per una vite differisce a seconda del materiale e della misura della vite e del materiale in cui la si sta inserendo, etc. per cui è necessario usare un tempo di fissaggio adeguato alla vite. In particolare se viene usato un lungo tempo di fissaggio nel caso di viti più piccole di un'M8, c'è il pericolo che la vite si rompa, per cui controllate il tempo di fissaggio e il momento di forze di fissaggio in precedenza.

### 4. Lavorare con una forza di serraggio adatta per il bullone da serrare

La forza di serraggio ottimale dipende dal tipo di materiale e dalle dimensioni del bullone a dado. Una forza di serraggio eccessivamente elevata potrebbe rovinare o persino rompere il bullone. Applicare la forza di avvitamento corretta per il tempo corretto per ogni bullone.

### 5. Controllo della forza di serraggio

Gli elementi elencati di seguito riducono la forza di serraggio. Di conseguenza, è consigliabile controllare la forza di serraggio necessaria serrando alcuni bulloni facendo uso di una chiave torsionometrica, a mano. Elementi che riducono la forza di serraggio.

#### (1) Voltaggio

Quando viene raggiunto il margine di scaricamento, il voltaggio diminuisce e la forza di torsione decresce.

#### (2) Tempo d'uso dell'utensile

La forza di serraggio aumenta con l'aumentare del tempo d'uso dell'utensile. Tuttavia, raggiunto un certo limite, anche prolungando l'azione del giravite la forza di serraggio non aumenta più.

#### (3) Diametro del bullone

La coppia di serraggio varia a seconda del diametro del bullone. Generalmente un bullone di diametro maggiore richiede una forza di serraggio maggiore.

#### (4) Condizioni di serraggio

La forza di serraggio varia con il rapporto di serraggio, la classe e la lunghezza del bullone, e questo anche se la filettatura rimane invariata. La forza di serraggio varia pure a seconda della superficie del metallo attraverso il quale è fatto passare il bullone. Se il dado e il bullone girano insieme, la forza di serraggio è notevolmente ridotta.

## MANUTENZIONE ED ISPEZIONE

### 1. Ispezione della testa avvitatrice

L'uso di una testa avvitatrice dalla lama consunta può essere pericoloso, poiché essa tende a scivolare fuori dalla scanalatura della testa della viti. Sostituirela.

### 2. Ispezione delle viti di montaggio

Ispezionare regolarmente le viti di montaggio e assicurarsi che siano ben fissate. Se una di queste dovesse essere allentata, riserrarla immediatamente. Si rischia in caso contrario di provocare incidenti pericolosi.

### 3. Manutenzione del motore

L'avvolgimento del motore il vero e proprio "cuore" degli attezi elettrici.

Fare attenzione a non danneggiare l'avvolgimento e/o non bagnarlo con olio o acqua.

### 4. Pulizia della carcassa dell'utensile

Se il trapano-avvitatore è sporco, pulirlo con uno staccio soffice, inumidito di acqua e sapone.

Non usare solventi cloridici, benzina o diluenti per benzina, in quanto potrebbero deformare la plastica.

### 5. Conservazione

Conservare il trapano-avvitatore ad una temperatura inferiore ai 40°C e non a portata di mano di bambini.

### NOTA

Assicurarsi che la batteria sia completamente carica quando viene conservata per un lungo periodo (3 mesi o più). Una batteria con minore capacità potrebbe non essere in grado di essere caricata quando viene utilizzata, se conservata per un lungo periodo.

### 6. Lista dei pezzi di ricambio

#### ATTENZIONE

Riparazioni, modifiche e ispezioni di utensili elettrici Hitachi devono essere eseguite da un centro assistenza Hitachi autorizzato.

Questa lista dei pezzi torna utile se viene presentata con l'utensile al centro assistenza Hitachi autorizzato quando si richiedono riparazioni o altri interventi di manutenzione.

Nell'uso e nella manutenzione degli utensili elettrici devono essere osservate le normative di sicurezza e i criteri prescritti in ciascun paese.

#### MODIFICHE:

Gli utensili elettrici Hitachi vengono continuamente migliorati e modificati per includere le più recenti innovazioni tecnologiche.

Di conseguenza, alcuni pezzi possono essere modificati senza preavviso.

#### Avviso importante sulle batterie per gli utensili elettrici a batteria Hitachi

Utilizzare sempre una delle nostre batterie originali. Non possiamo garantire la sicurezza e le prestazioni dell'utensile elettrico a batteria quando esso viene utilizzato con batterie diverse da quelle da noi designate, o quando la batteria viene smontata e modificata (per esempio lo smontaggio e la sostituzione di pile o altre parti interne).

---

## GARANZIA

---

Garantiamo gli Utensili Elettrici Hitachi in conformità alle specifiche normative imposte dalla legge e dai paesi. Questa garanzia non copre difetti o danni dovuti a uso erraneo, abuso o normale usura. In caso di lamentele, si prega di inviare l'Utensile Elettrico, non smontato, insieme al CERTIFICATO DI GARANZIA che si trova al termine di queste Istruzioni per l'uso, ad un Centro di Assistenza Autorizzato Hitachi.

---

### NOTA:

A causa del continuo programma di ricerche e sviluppo della HITACHI, le caratteristiche riportate in questo foglio sono soggette a cambiamenti senza preventiva comunicazione.

---



---

### Informazioni riguardanti i rumori trasmessi dall'aria e le vibrazioni

I valori misurati sono stati determinati in conformità a EN60745 e descritti in conformità alla normativa ISO 4871.

Livello misurato di potenza sonora pesato A: 103 dB (A)

Livello misurato di pressione sonora pesato A: 92 dB (A)

KpA incertezza: 3 dB (A)

Indossare protezioni per l'udito.

Valori totali di vibrazione (somma vettori triass.) determinati secondo la norma EN60745.

Serraggio di impatto dei fissaggi della massima capacità dell'utensile:

Valore di emissione vibrazioni  $a_h$ , = 18,1 m/s<sup>2</sup>

Incertezza K = 1,5 m/s<sup>2</sup>

---

Il valore totale di emissione vibrazioni dichiarato è stato misurato in base al metodo di test standard e può essere utilizzato per confrontare un utensile con un altro.

Può essere inoltre utilizzato per la stima preliminare dell'esposizione.

### AVVERTENZA

- Il valore di emissione vibrazioni durante l'uso effettivo dell'utensile può essere diverso dal valore totale dichiarato in base alle modalità di utilizzo dell'utensile stesso.
- Identificare le misure di sicurezza per la protezione dell'operatore basate su stima dell'esposizione nelle effettive condizioni di utilizzo (prendendo in considerazione tutte le parti del ciclo di funzionamento come i tempi in cui l'utensile resta spento e quando funziona senza essere utilizzato in aggiunta al tempo di avvio).

## ALGEMENE VEILIGHEIDSWAARSCHUWINGEN VOOR ELEKTRISCH GEREEDSCHAP

### ⚠ WAARSCHUWING

Lees alle waarschuwingen en instructies aandachtig door.

*Nalating om de waarschuwingen en instructies op te volgen kan in een elektrische schok, brand en/of ernstig letsel resulteren.*

Bewaar alle waarschuwingen en aanwijzingen voor eventuele naslag in de toekomst.

*De term "elektrisch gereedschap" heeft zowel betrekking op elektrisch gereedschap dat via de netvoeding van stroom wordt voorzien als gereedschap dat via een accu (snoerloos) van stroom wordt voorzien.*

#### 1) Veiligheid van de werkplek

- Zorg voor een schone en goed verlichte werkplek.**  
*Een rommelige of donkere werkplek verhoogt de kans op ongelukken.*
- Gebruik het elektrisch gereedschap niet in een omgeving met ontplofbare vloeistoffen, gassen of stof.**  
*Elektrisch gereedschap kan vonken afgeven. Deze vonkjies kunnen stofdeeltjes of gassen doen ontbranden.*
- Houd kinderen en andere toeschouwers tijdens het gebruik van elektrische gereedschap uit de buurt.**  
*Afleidingen kunnen gevaarlijk zijn.*

#### 2) Elektrische veiligheid

- De stekker op het elektrische gereedschap moet geschikt zijn voor aansluiting op de wandcontactdoos.**  
*De stekker mag op geen enkele manier gemodificeerd worden. Gebruik geen verloopstekker met geaard elektrisch gereedschap. Deugdelijke stekkers en geschikte wandcontactdozen verminderen het risico op een elektrische schok.*
- Vermijd lichamen contact met geaarde oppervlakken zoals leidingen, radiatoren, fornuizen en koelkasten.**  
*Wanneer uw lichaam in contact staat met geaarde oppervlakken loopt u een groter risico op een elektrische schok.*
- Stel het elektrisch gereedschap niet bloot aan regen of vochtige omstandigheden.**  
*Het risico op een elektrische schok wordt vergroot wanneer er water in het elektrisch gereedschap terechtkomt.*
- Behandel het snoer voorzichtig. Draag het gereedschap nooit door dit bij het snoer vast te houden. Trek niet aan het snoer wanneer u de stekker uit het stopcontact wilt halen.**  
*Houd het snoer uit de buurt van warmtebronnen, olie, scherpe randen of bewegende onderdelen. Een beschadigd of verward snoer verhoogt het risico op een elektrische schok.*
- Gebruik buitenshuis een verlengsnoer dat specifiek geschikt is voor het gebruik buiten.**  
*Het gebruik van een snoer dat specifiek geschikt is voor gebruik buitenshuis vermindert het risico op een elektrische schok.*

- Als het elektrisch gereedschap in een vochtige omgeving gebruikt moet worden, dient een voeding met RCD (reststroom-apparaat) beveiliging te worden gebruikt.**  
*Gebruik van een RCD vermindert de kans op een elektrische schok.*

#### 3) Persoonlijke veiligheid

- Blijf waakzaam, let voortdurend op uw werk en gebruik uw gezond verstand wanneer u elektrisch gereedschap gebruikt.**  
*Gebruik geen elektrisch gereedschap wanneer u moe bent of onder invloed van drugs, alcohol of medicijnen.*  
*Eén moment van onoplettendheid kan in ernstig lichamen letsel resulteren.*
- Gebruik persoonlijke beschermingsmiddelen. Draag altijd oogbescherming.**  
*Beschermingsmiddelen zoals stofmaskers, niet-glijdende veiligheidsschoenen, een helm of oorbescherming vermindert het risico op lichamen letsel.*
- Voorkom dat het gereedschap per ongeluk kan starten. Controleer of de schakelaar in de uit stand staat voordat u de voeding en/of de accu aansluit, het gereedschap oppakt of gaat dragen.**  
*Zorg ervoor dat u tijdens het verplaatsen van het elektrisch gereedschap uw vingers uit de buurt van de schakelaar houdt en sluit de stroombron niet aan terwijl de schakelaar op aan staat om ongelukken te vermijden.*
- Verwijder sleutels en moersleutels uit het gereedschap voordat u het elektrisch gereedschap aanzet.**  
*Een (moer-)sleutel die op een bewegend onderdeel van het elektrisch gereedschap bevestigd is kan in lichamen letsel resulteren.*
- Reik niet te ver. Zorg ervoor dat u te allen tijde stevig staat en uw evenwicht behoudt.**  
*Op deze manier heeft u tijdens een onverwachte situatie meer controle over het elektrisch gereedschap.*
- Draag geen loszittende kleding of sieraden. Houd uw haar, kleding en handschoenen uit de buurt van bewegende onderdelen.**  
*Loszittende kleding, sieraden en lang haar kunnen in de bewegende onderdelen verstrikt raken.*
- Indien het elektrisch gereedschap van een aansluiting voor stofafzuiging is voorzien dan dient u ervoor te zorgen dat de stofafzuiging aangesloten is en op de juiste manier gebruikt wordt.**  
*Het gebruik van stofafzuiging vermindert eventuele stofgerelateerde risico's.*

#### 4) Bediening en onderhoud van elektrisch gereedschap

- Het elektrisch gereedschap mag niet geforceerd worden. Gebruik het juiste gereedschap voor het karwei.**  
*U kunt de klus beter en veiliger uitvoeren wanneer u het juiste elektrische gereedschap gebruikt.*
- Gebruik het elektrisch gereedschap niet als de schakelaar niet goed werkt.**  
*Elektrisch gereedschap dat niet via de schakelaar bediend kan worden is gevaarlijk en moet onmiddellijk gerepareerd worden.*



- c) Haal de stekker uit het stopcontact voordat u de voeding en/of de accu van het elektrisch gereedschap losmaakt, afstellingen verricht, accessoires verwisselt of voordat u het elektrisch gereedschap opbergt.  
*Dergelijke preventieve veiligheidsmaatregelen verminderen het risico dat het elektrisch gereedschap per ongeluk opstart.*
- d) **Berg elektrisch gereedschap buiten het bereik van kinderen en en sta niet toe dat personen die niet bekend zijn met het juiste gebruik van het gereedschap of deze voorschriften dit elektrisch gereedschap gebruiken.**  
*Elektrisch gereedschap is gevaarlijk in onbevoegde handen.*
- e) **Het elektrisch gereedschap moet regelmatig onderhouden worden. Controleer het gereedschap op een foutieve uitlijning, vastgelopen of defecte bewegende onderdelen en andere problemen die van invloed zijn op de juiste werking van het gereedschap. Indien het gereedschap defect of beschadigd is moet het gerepareerd worden voordat u het gereedschap opnieuw gebruikt.**  
*Slecht onderhouden elektrisch gereedschap is verantwoordelijk voor een groot aantal doe-het-zelf ongelukken.*
- f) **Houd snijwerktuigen scherp en schoon.**  
*Goed onderhouden snijwerktuigen met scherpe snijranden lopen minder snel vast en zijn gemakkelijker in het gebruik.*
- g) **Elektrisch gereedschap, toebehoren, bits enz. moeten in overeenstemming met deze instructies worden gebruikt waarbij de werkomstandigheden en het werk in overweging moeten worden genomen.**  
*Gebruik van het elektrisch gereedschap voor andere doeleinden dan waarvoor het is bedoeld, kan resulteren in een gevaarlijke situatie.*
- 5) **Gebruik van gereedschap en onderhoud van de batterij**
- a) **Herlaad enkel met de lader die door de fabrikant wordt gespecificeerd.**  
*Een lader die geschikt is voor één bepaald type batterijgroep kan brandgevaar veroorzaken bij een andere batterijgroep.*
- b) **Gebruik de apparaten enkel met specifiek ontworpen batterijgroepen.**  
*Het gebruik van andere batterijgroepen kan letsels of brand veroorzaken.*
- c) **Wanneer de batterijgroep niet in gebruik is, houdt u ze verwijderd van andere metalen voorwerpen zoals papierclips, munten, sleutels, spijkers, schroeven of andere metalen voorwerpen die een verbinding van de ene terminal met de andere kunnen maken.**  
*De batterijterminals kortsluiten kan brandwonden of brand veroorzaken.*
- d) **Bij een verkeerd gebruik kan er vloeistof uit de batterij lekken; vermijd elk contact. Indien er toevallig contact ontstaat, goed met water spoelen. Indien de vloeistof in contact met de ogen komt, ook medische hulp inroepen.**  
*Vloeistof die uit de batterij lekt kan irritatie en brandwonden veroorzaken.*

- 6) **Onderhoudsbeurt**
- a) **Het gereedschap mag uitsluitend door bevoegd onderhoudspersoneel worden onderhouden die authentieke onderdelen gebruikt.**  
*Hierdoor kunt u erop aan dat de veiligheid van het elektrisch gereedschap behouden blijft.*

#### VOORZORGMAATREGELEN

**Houd kinderen en kwetsbare personen op een afstand. Het gereedschap moet na gebruik buiten het bereik van kinderen en andere kwetsbare personen worden opgeborgen.**

#### VOORZORGEN VOOR DE SNOERLOZE SLAGSCHROEVENDRAAIER

- Houd het gereedschap vast aan de geïsoleerde handgrepen tijdens het uitvoeren van een bewerking waarbij de klem in aanraking kunt komen met verborgen bedrading.** Klemmen die een onder stroom staande draad aanraken, maken dat niet-geïsoleerde delen van het gereedschap ook onder stroom komen, waardoor de gebruiker een elektrische schok kan krijgen.
- Dit draagbare gereedschap is voor het vast-en losdraaien van schroeven. Gebruik het apparaat alleen voor deze handelingen.
- Gebruik oorwatjes als het gereedschap voor langere tijd wordt gebruikt.
- Het bedienen van het apparaat met een hand is zeer gevaarlijk. Houd het apparaat bij bediening met beide handen stevig vast.
- Na het monteren van het schroefstuk dient u lichtjes aan het schroefstuk te trekken om te controleren of het niet loskomt. Als het schroefstuk niet juist geïnstalleerd is, kan het tijdens gebruik loskomen en gevaar veroorzaken.
- Gebruik het de schroefstuk dat past bij de schroef.
- Het onder een hoek vastdraaien van een schroef met het apparaat kan de kop van de schroef beschadigen. Tevens wordt de schroef dan niet met de juiste aantrekkkracht vastgedraaid. Breng daarom voor het vastdraaien van een schroef het apparaat in één lijn met de schroef.
- Laad de accu bij een temperatuur van 0 – 40°C. Als de accu bij een temperatuur buiten 0 – 40°C wordt opgeladen, is het mogelijk dat het opladen niet juist geschiedt en kan de levensduur van de accu korter worden.  
De meest geschikte temperatuur is tussen de 20 – 25°C.
- Wacht ongeveer 15 minuten voordat met het laden van een andere batterij begonnen wordt.
- Voorkom dat stof of vuil in de aansluitopening van de accuterechtkomt.
- Demonteer de oplaadbare batterij of acculader niet.
- Voorkom kortsluiting van de oplaadbare batterij. Kortsluiting kan resulteren in oververhitting. Dit kan schade of brandgevaar opleveren.
- Gooi de batterij niet in het vuur. Een brandende batterij kan ontploffen.
- Breng de batterij naar de dealer waar deze gekocht werd, nadat deze na oplading onvoldoende kracht heeft voor praktisch gebruik. Gooi een uitgewerkte batterij niet weg.
- Het gebruik van een uitgeputte batterij zal de acculader beschadigen.

16. Steek nooit een voorwerp in de ventilatie-openingen van de acculader.  
Als een voorwerp of ontvlambaar materiaal in de ventilatie-openingen van de acculader wordt gestoken, kan dit resulteren in een elektrische schok of beschadiging aan de acculader.

## OPMERKINGEN BIJ GEBRUIK LITHIUM-ION BATTERIJ

De lithium-ion batterij is voorzien van een beschermingsfunctie die volledige ontlading van de batterij voorkomt waardoor de levensduur wordt verlengd.

In geval 1 tot 3 hieronder kan de motor tijdens het gebruik van het product tot stilstand komen, zelfs wanneer u de schakelaar ingedrukt houdt. Dit geeft geen probleem met het product aan maar wordt veroorzaakt door de beschermingsfunctie.

- De motor komt tot stilstand wanneer de batterij leeg is.  
De batterij moet in dit geval onmiddellijk opgeladen worden.
- De motor kan tot stilstand komen wanneer het gereedschap overbelast is. Laat de schakelaar onmiddellijk los en zoek naar de oorzaak van de overbelasting. Wanneer u het probleem verholpen heeft kunt u het gereedschap opnieuw gebruiken.
- Wanneer de batterij oververhit is door overbelasting, kan het zijn dat de batterij stopt. In dit geval gebruikt u de batterij niet verder en laat u ze afkoelen. Daarna kunt u haar opnieuw gebruiken.

Gelieve eveneens aandacht te schenken aan volgende waarschuwing en aandachtspunt.

### WAARSCHUWING

Om acculekken, het opwekken van warmte, rookemissie, explosie en ontsteking bijtijds te vermijden, moet u ervoor zorgen volgende voorzorgsmaatregelen onder de aandacht te brengen.

- Zorg ervoor dat er geen spaanders en stof op de accu ophopen.
  - Zorg er tijdens de werkzaamheden voor dat er geen spaanders en stof op de accu kunnen vallen.
  - Zorg ervoor dat de spaanders en stof die tijdens het werk op het elektrisch gereedschap vallen zich niet op de accu ophopen.
  - Bewaar een ongebruikte accu niet op een plaats waar het aan spaanders en stof wordt blootgesteld.
  - Verwijder alle spaanders en stof van een accu voordat u hem opbergt en bewaar de accu niet op dezelfde plek als metalen onderdelen (schroeven, spijkers, enz.).
- Doorboor de accu niet met een scherp voorwerp, zoals een nagel, klop er niet op met een hamer, stap niet op de accu of gooi er niet mee of stel hem niet bloot aan ernstige fysieke schokken.

- Gebruik geen zichtbare beschadigde of vervormde accu.
- Gebruik de accu niet met een omgekeerde polariteit.
- Sluit hem niet rechtstreeks aan op elektrische toestellen of fittingen van sigarettenaanstekers in wagens.
- Gebruik de accu niet voor andere doeleinden dan deze die gespecificeerd werden.
- Wanneer de accu niet kan worden opgeladen, zelfs nadat de specifieke oplaadtijd verstreken is, stopt u onmiddellijk met het opladen.
- Breng de accu niet op hoge temperaturen of drukken of stel ze er niet aan bloot, zoals in een microgolfoven, droger of een hogedrukcontainer. Blijf uit de buurt van vuur onmiddellijk nadat een lek of vieze geur werd vastgesteld.
- Gebruik hem niet in een plaats waar een grote statische elektriciteit wordt opgewekt.
- In geval van een acculek, vieze geur, warmteopwekking, verkleuring of vervorming, of iets abnormaals tijdens het gebruik, het opladen of de opslag, haalt u hem onmiddellijk uit de uitrusting of de acculader en stopt u het gebruik.

### LET OP

- Wanneer u de lekkende vloeistof uit de accu in de ogen krijgt, wrijf dan niet in de ogen, en was ze goed uit met vers proper water, zoals kraantjeswater en roep er onmiddellijk een dokter bij.  
Indien u geen behandeling krijgt, kan de vloeistof oogproblemen veroorzaken.
- Wanneer de vloeistof lekt op uw huid of kleding, was ze onmiddellijk goed af met proper water, zoals kraantjeswater.  
De kans bestaat dat dit huidirritatie veroorzaakt.
- Wanneer u roest, een vieze geur, oververhitting, verkleuring, vervorming en/of andere onregelmatigheden vaststelt wanneer u de accu voor de eerste maal gebruikt, gebruik ze dan niet verder en stuur ze terug naar de leverancier of de verkoper.

### WAARSCHUWING

Als een elektrisch geleidend vreemd voorwerp in de aansluitpunten van de lithium-ion accu terecht komt, kan er kortsluiting ontstaan met het risico van brand als gevolg. Let bij het opbergen van de accu op de volgende punten.

- Plaats geen elektrisch geleidend zaagsel, spijkers, ijzerdraad, koperdraad of andere draad in de opbergdoos.**
- Plaats de accu in het elektrisch gereedschap of bewaar de accu door deze stevig in het batterijdekseel te drukken totdat de ventilatieopeningen afgesloten zijn om kortsluiting te voorkomen. (Zie Afb. 1)**

## TECHNISCHE GEGEVENS

### BOORMACHINE

Onbelaste snelheid	0-2500 min <sup>-1</sup>
Capaciteit (bij normale bout)	M5 – M12
Aantrekoppel (maximum)	95 N·m
Oplaadbare batterij	BCL1015: Li-ion 10,8 V (1,5 Ah 3 cellen)
Gewicht	1,0 kg

**ACCULADER**

Model	UC10SFL
Oplaadspanning	10,8 V
Gewicht	0,35 kg

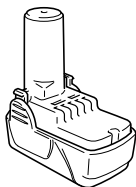
**STANDAARD TOEBEHOREN**

WH10DFL (2LCSK)	① Kruiskopdrijver (Nr. 2 x 50L) .....	1
	② Batterij (BCL1015) .....	2
	③ Acculader (UC10SFL) .....	1
	④ Plastic doos .....	1
	⑤ Batterijdeksel .....	1

De standaard toebehoren kunnen zonder nadere aankondiging gewijzigd worden.

**EXTRA TOEBEHOREN (los verkrijgbaar)**

- 1. Batterij (BCL1015)



De extra toebehoren kunnen zonder nadere aankondiging gewijzigd worden.

**TOEPASSINGEN**

- Indraaien en uitdraaien van machineschroeven, houtschroeven, tapbouten, etc.

**Tabel 1**

		Aanduidingen van het controlelampje		
Controlelampje (rood)	Voor het laden	Knippert	Brandt ongeveer 0,5 seconde. Brandt ongeveer 0,5 seconde niet. (Uit voor 0,5 seconde)	/
	Tijdens opladen	Brandt	Blijft branden	
	Na opladen	Knippert	Brandt ongeveer 0,5 seconde. Brandt ongeveer 0,5 seconde niet. (Uit voor 0,5 seconde)	
	Overheat standby	Knippert	Brandt ongeveer 1 seconde. Brandt ongeveer 0,5 seconde niet. (Uit voor 0,5 seconde)	
	Opladen onmogelijk	Knippert	Brandt ongeveer 0,1 seconde. Brandt ongeveer 0,1 seconde niet. (Uit voor 0,1 seconde)	

**INLEGGEN EN UITNEMEN VAN DE BATTERIJ**

- 1. **Verwijderen van de batterij**  
Houd de handgreep goed vast en druk tegen de accvergrendeling om de batterij te verwijderen (Zie Afb. 1 en 2).

**LET OP:**  
Sluit de batterij nooit kort.

- 2. **Aanbrengen van de batterij**  
Plaats de batterij met de polen juist aangebracht (zie Afb. 2).

**OPLADEN**

Voor het gebruik van de boor-schroefmachine e.d. dient de batterij als volgt opgeladen te worden.

- 1. **Sluit het netsnoer van het oplaadapparaat op het stopcontact aan.**  
Wanneer de stekker van de acculader in het stopcontact wordt gestoken, zal het lampje in rood knipperen (met tussenpozen van 1 seconde).
- 2. **Steek de batterij in het oplaadapparaat.**  
Steek de batterij stevig in de oplader, totdat deze contact maakt met de bodem van de oplader, zoals in Afb. 3 getoond wordt.

- 3. **Opladen**  
Wanneer een batterij in de acculader wordt aangebracht, blijft het lampje continu rood branden. Wanneer de batterij volledig is opgeladen, gaat het lampje in rood knipperen (met tussenpozen van 1 seconde) (Zie Tabel 1).

(1) Aanduiding van het controlelampje  
De aanduidingen van het controlelampje zijn zoals aangegeven in Tabel 1, al naar gelang de toestand van de oplaadbare batterij of de acculader.

- (2) Btoreffende de temperatuur van de oplaadbare batterij  
De temperaturen voor herlaadbare batterijen worden weergegeven in **Tabel 2**. Oververhitte batterijen moeten een tijdje afkoelen voordat ze worden herladen.

**Tabel 2** Temperatuur voor opladen van batterijen

Oplaadbare batterijen	Geschikte temperatuur voor het opladen
BCL1015	0°C – 50°C

- (3) Tijd die benodigd is voor het opladen  
De oplaadtijden in de onderstaande **Tabel 3** zijn afhankelijk van de combinatie van acculader en batterij.

**Tabel 3** Oplaadtijden (bij 20°C)

Batterij \ Acculader	UC10SFL
BCL1015	Circa. 40 min.

### OPMERKING

De tijd voor het opladen verschilt afhankelijk van de omgevingstemperatuur en het spanningsvoltage.

- Trek de stekker van het oplaadapparaat uit het stopcontact**
- Houd het oplaadapparaat stevig vast en trek de batterij er uit**

### OPMERKING

Verwijder beslist de accu van de lader na gebruik. Bewaar op een veilige plaats.

### Om langdurig gebruik van de batterij te bevorderen

- Laad batterij op vóórdt ze volledig uitgeput zijn. Merk t dat de gevoede apparatuur minder krachtig gaat werken, onderbreek dan het gebruik en laad de batterij op. Als u apparatuur op batterijvoeding te lang blijft gebruiken, kan dit leiden tot teruglopen van de batterijwerking en eventueel zelfs beschadiging ervan.
- Verricht het opladen niet bij hoge temperatuur. Een oplaadbare batterij zal onmiddellijk na gebruik gewoonlijk erg warm zijn. Als u een dergelijke batterij onmiddellijk gaat opladen, zal de chemische balans in het inwendige verstoord worden en zal de levensduur van de batterij afnemen. Laat de batterij daarom even afkoelen, voor u met opladen begint.

### LET OP

- Als wordt geprobeerd de batterij op te laden terwijl deze te warm is geworden door langdurige blootstelling aan direct zonlicht of onmiddellijk na gebruik van de batterij, is het mogelijk dat het controlelampje van de acculader knippert door 1 seconde op te lichten en 0,5 seconde niet op te lichten (lampje is 0,5 seconde uit). Mocht dit zich voordoen, laat de batterij dan eerst even afkoelen alvorens u deze oplaadt.
- Wanneer het controlelampje snel knippert (vijfmaal per seconde), neem de batterij dan uit het oplaadapparaat en controleer op de aanwezigheid van een voorwerp dat er niet hoort. Is er geen voorwerp in de opening aanwezig, dan is de storing

waarschijnlijk te wijten aan de oplaadbare batterij of het oplaadapparaat. Laat deze dan controleren door een bevoegde onderhoudsinstantie.

- Aangzien de ingebouwde microprocessor van de UC10SFL een drietal seconden nodig heeft om te reageren op het loskoppelen van de batterij, dient u minimaal drie seconden te wachten voordat u de batterij weer aansluit om het laden te vervolgen. Als de batterij binnen de drie seconden wordt aangesloten, bestaat de kans dat deze niet goed wordt opgeladen.

## VOOR HET GEBRUIK

- Gereedmaken en controleren van de werkplaats**  
Controleer of de werkplaats geschikt is door nauwkeurig de bovenstaande voorzorgsmaatregelen op te volgen.

## BEDIENING

### 1. Monteren van het schroefstuk

Volg altijd de onderstaande aanwijzingen bij het monteren van het schroefstuk. (**Afb. 4**)

- Trek de geleide-ring naar voren.
- Steek het schroefstuk in de zeshoekige opening in de aansluiting
- Laat de geleide ring los, waarna deze naar de oorspronkelijke positie terugkeert.

### LET OP

Als de geleide ring niet naar de oorspronkelijk positie terugkeert, is het schroefstuk niet op de juiste wijze gemonteerd.

### 2. Het bit verwijderen

Volg de instructies voor het aanbrengen van het bit in omgekeerde volgorde op.

### 3. Controleer of de accu op de juiste manier aangebracht is

### 4. Controleer de draairichting.

De boor draait rechtsom (van achteren gezien) wanneer de R-kant van de omzetschakelaar ingedrukt wordt.

De L-kant van de omzetschakelaar dient te worden ingedrukt om de boor linksom te laten draaien (Zie **Afb. 5**) (De (L) en de (R) markeringen zijn op de behuizing aangebracht).

### 5. Bediening van de schakelaar

- De boor gaat draaien wanneer aan de trekker getrokken wordt. Wanneer de trekker wordt losgelaten stopt de boor.
- De draaisnelheid van de boor kunt u regelen door in meer of mindere mate aan de trekschakelaar te trekken. Wanneer u licht aan de trekschakelaar trekt, is de snelheid laag en bij harder trekken wordt de snelheid verhoogd.

### OPMERKING

Een gezoem wordt gehoord als de motor begint te draaien; dit is alleen geluid en duidt geen defekt aan.

### 6. Het licht gebruiken.

Trek aan de trekkerschakelaar om het lampje te laten branden. Het lampje blijft branden zolang de trekkerschakelaar wordt ingetrokken. Het lampje gaat uit zodat de trekkerschakelaar wordt losgelaten. (**Afb. 6**)

**LET OP**

Kijk niet rechtstreeks naar het licht. Dit kan tot oogletsel leiden.

**7. Vast- en losdraaien van schroeven**

Monteer het juiste schroefstuk voor de schroef en steek het schroefstuk in de groeven van de kop van de schroef. Draai daarna de schroef vast. Druk zo hard tegen het apparaat aan dat het schroefstuk in de kop van de schroef blijft.

**LET OP**

Wanneer de schroef met het apparaat te vast wordt gedraaid, kan de schroef afbreken.

Het onder een hoek vastdraaien van de schroef met het apparaat kan de kop van de schroef beschadigen. Tevens wordt de schroef dan niet met de juiste aantrekkkracht vastgedraaid. Breng daarom voor het vastdraaien van een schroef het apparaat in één lijn met de schroef.

**VOORZORGSMAATREGELEN BIJ GEBRUIK****1. De machine laten rusten na continu werk**

Na continu vastdraaien van bouten dient u de machine 15 minuten of zo te laten rusten wanneer u de batterij vervangt. De temperatuur van de motor, schakelaar enz. zal flink stijgen als u direct weer begint te werken nadat de batterij vervangen is, hetgeen uiteindelijk kan resulteren in doorbranden van de machine.

**OPMERKING**

Raak de metalen gedeelten niet aan, aangezien deze zeer heet zullen worden bij continu gebruik.

**2. Voorzorgsmaatregelen bij het gebruik van de snelheidsregelaar**

Deze regelaar is voorzien van een ingebouwd, elektronisch circuit waarmee het toerental traploos kan worden ingesteld. Hierdoor kunnen, wanneer de trekschakelaar slechts een beetje wordt overgehaald (laag toerental) en de motor gestopt wordt terwijl u een schroef aan het indraaien bent, onderdelen van het elektronisch circuit oververhit en beschadigd raken.

**3. Gebruik de juiste vastdraaitijd voor de schroef**

Het juiste aantrekkoppel voor een schroef varieert met het materiaal en de grootte van de schroef, en het materiaal waarin de schroef vastgedraaid wordt. Dus gebruik de juiste vastdraaitijd voor de schroef. In het bijzonder als bij het vastdraaien van schroeven kleiner dan M8 schroeven een lange vastdraaitijd wordt gebruikt, bestaat het gevaar dat de schroef breekt. Zorg er daarom voor dat u de vastdraaitijd en het aantrekkoppel van te voren controleert.

**4. Zet de bout met het juiste aantrekkoppel vast**

Het optimale aantrekkoppel van moeren en bouten hangt af van het materiaal en formaat van de moeren en bouten. Een buitensporig groot aantrekkoppel voor een kleine bout kan resulteren in rekken of breken van de bout. Het aantrekkoppel is groter naarmate de bedrijfstijd langer is. Gebruik de juiste wijzerplaatinstelling en vastdraaitijd voor de bout.

**5. Controleren van het aantrekkoppel**

De volgende factoren dragen bij tot een vermindering van het aantrekkoppel. Controller, daarom het vereiste aantrekkoppel door van de te voren en aantal

bouten met een handbediende momentsleutel vast te draaien. Factoren die een invloed hebben op het aantrekkoppel.

**(1) Voltage**

Als de marge van ontladen wordt bereikt, neemt net voltage af en vermindert het aantrekkoppel.

**(2) Bedrijfstijd**

Het aantrekkoppel is groter als de bedrijfstijd langer is. Bij een bepaalde waarde zal het aantrekkoppel echter niet meer groter worden, ook al wordt het gereedschap langer gebruikt.

**(3) Diameter van de bout**

Het aantrekkoppel hangt af van de diameter van de bout. Over het algemeen heeft een bout met een grotere diameter een groter aantrekkoppel.

**(4) Omstandigheden bij het vastdraaien**

Het aantrekkoppel verschilt afhankelijk van de koppelhoeking, d.w.z. klasse en lengte van de bouten (zelfs als bouten met hetzelfde formaat schroefdraad worden gebruikt). Het aantrekkoppel zal ook verschillen afhankelijk van de conditie van het metaal waardoor de bout moet worden gedraaid.

**ONDERHOUD EN INSPECTIE****1. Controleren van het schroefstuk**

Het gebruik van een gebroken of versleten schroefstuk is gevaarlijk, omdat het schroefstuk dan kan slippen. Vervang het schroefstuk.

**2. Inspectie van bevestigingsschroeven**

Kontroleer deze schroeven regelmatig om te verzekeren dat ze goed aangedraaid zijn. Draai loszittende schroeven onmiddellijk vast. Dit om ongelukken te voorkomen.

**3. Onderhoud van de motor**

De motorwikkeling is het „hart“ van het elektrische gereedschap.

Er moet daarom bijzonder zorgvuldig op gelet worden, dat de wikkeling niet beschadigd en/or met olie of water bevochtigd wordt.

**4. Reinigen van de behuizing**

Gebruik een zachte droge doek, of wat soppig water, wanneer de behuizing bevuild is. Gebruik geen vloeisoffen zoals terpentijn of benzine om te voorkomen dat de afwerking beschadigd wordt.

**5. Opbergen**

Bewaar de slagboor op een plaats waar de temperatuur niet hoger is dan 40°C, en buiten het bereik van kinderen.

**OPMERKING**

Controleer of de batterij volledig is geladen als deze gedurende langere tijd is opgeslagen (3 maanden of langer). Een batterij met een kleinere capaciteit kan tijdens het gebruik mogelijk niet worden opgeladen als hij langdurig is opgeslagen.

**6. Lijst vervangingsonderdelen****LET OP**

Reparatie, modificatie en inspectie van Hitachi elektrisch gereedschap dient te worden uitgevoerd door een erkend Hitachi Service-centrum.

Deze Onderdelenlijst komt van pas wanneer u deze samen met het gereedschap aanbiedt bij het erkende Hitachi Service-centrum wanneer u om reparatie of ander onderhoud verzoekt.

Bij gebruik en onderhoud van elektrisch gereedschap dienen de in het land waar u zich bevindt geldende veiligheidsregelgeving en veiligheidsstandaarden strikt te worden opgevolgd.

## MODIFICATIES:

Hitachi elektrisch gereedschap wordt voortdurend verbeterd en gewijzigd teneinde gebruik te kunnen maken van de nieuwste technische ontwikkelingen. Daarom is mogelijk dat sommige onderdelen zonder voorafgaande kennisgeving gewijzigd worden.

### **Belangrijke informatie voor batterijen van Hitachi snoerloos elektrisch gereedschap**

Gebruik altijd een van onze voorgeschreven originele batterijen. Wij kunnen de veiligheid en prestatie van ons snoerloos elektrisch gereedschap niet garanderen bij gebruik van andere dan de voorgeschreven batterijen, of als de batterij gedemonteerd of gewijzigd is (zoals demontage of vervanging van batterijcellen of andere inwendige onderdelen).

## GARANTIE

De garantie op het elektrisch gereedschap van Hitachi is in overeenstemming met de wettelijke/landspecifieke richtlijnen. Deze garantie dekt geen defecten of schade als gevolg van foutief gebruik, misbruik of normale slijtage. In geval van klachten verzoeken wij u het elektrisch gereedschap samen met het GARANTIECERTIFICAAT dat u achterin deze handleiding aantreft naar een erkend servicecentrum van Hitachi te sturen. Indien door de gebruiker de machine wordt gedemonteerd vervalt de aanspraak op garantie.

## OPMERKING:

Op grond van het voortdurende research en ontwikkelingsprogramma van HITACHI zijn veranderingen van de hierin genoemde technische opgaven voorbehouden.

### **Informatie betreffende luchtgeluid en trillingen**

De gemeten waarden zijn verkregen overeenkomstig EN60745 en voldoen aan de eisen van ISO 4871.

Gemeten A-gewogen geluidsniveau: 103 dB (A)  
Gemeten A-gewogen geluidsdrukkniveau: 92 dB (A)  
Onzekerheid KpA: 3 dB (A)

Draag gehoorbescherming.

Totale trillingswaarden (triax vector som) bepaald overeenkomstig EN60745.

Bevestigingsdelen met de slagfunctie aanhalen, met de maximale capaciteit van het gereedschap:

Trillingsemisiewaarde  $a_h = 18,1 \text{ m/s}^2$

Onzekerheid K = 1,5  $\text{m/s}^2$

De totale bepaalde trillingswaarde is gemeten in overeenstemming met een standaardtestmethode en is bruikbaar om meerdere gereedschappen met elkaar te vergelijken.

U kunt dit ook als beoordeling vooraf aan de blootstelling gebruiken.

## WAARSCHUWING

- De trillingsemisiewaarde tijdens het feitelijke gebruik van het elektrisch gereedschap kan afwijken van de opgegeven totale waarde afhankelijk van de manieren waarop het gereedschap wordt gebruikt.
- Neem kennis van de veiligheidsmaatregelen voor de bescherming van de operator welke gebaseerd zijn op een schatting van blootstelling onder feitelijke gebruiksomstandigheden (rekening houdend met alle onderdelen van de gebruikscyclus, zoals de tijd dat het gereedschap is uitgeschakeld en wanneer dit onbelast draait inclusief de triggertijd).

## ADVERTENCIAS DE SEGURIDAD GENERAL DE LA HERRAMIENTA ELÉCTRICA

### ⚠ ADVERTENCIA

Lea todas las instrucciones y advertencias de seguridad. Si no se siguen las advertencias e instrucciones, podría producirse una descarga eléctrica, un incendio y/o daños graves.

Guarde todas las advertencias e instrucciones para futura referencia.

El término "herramienta eléctrica" en las advertencias hace referencia a la herramienta eléctrica que funciona con la red de suministro (con cable) o a la herramienta eléctrica que funciona con pilas (sin cable).

#### 1) Seguridad del área de trabajo

- Mantenga la zona de trabajo limpia y bien iluminada. Las zonas desordenadas u oscuras pueden provocar accidentes.
- No utilice las herramientas eléctricas en entornos explosivos como, por ejemplo, en presencia de líquidos inflamables, gases o polvo. Las herramientas eléctricas crean chispas que pueden inflamar el polvo o los humos.
- Mantenga a los niños y transeúntes alejados cuando utilice una herramienta eléctrica. Las distracciones pueden hacer que pierda el control.

#### 2) Seguridad eléctrica

- Los enchufes de las herramientas eléctricas tienen que ser adecuados a la toma de corriente. No modifique el enchufe. No utilice enchufes adaptadores con herramientas eléctricas conectadas a tierra. Si no se modifican los enchufes y se utilizan tomas de corriente adecuadas se reducirá el riesgo de descarga eléctrica.
- Evite el contacto corporal con superficies conectadas a tierra como tuberías, radiadores y frigoríficos. Hay mayor riesgo de descarga eléctrica si su cuerpo está en contacto con el suelo.
- No exponga las herramientas eléctricas a la lluvia o a la humedad. La entrada de agua en una herramienta eléctrica aumentará el riesgo de descarga eléctrica.
- No utilice el cable incorrectamente. No utilice el cable para transportar, tirar de la herramienta eléctrica o desenchufarla. Mantenga el cable alejado del calor, del aceite, de bordes afilados o piezas móviles. Los cables dañados o enredados aumentan el riesgo de descarga eléctrica.
- Cuando utilice una herramienta eléctrica al aire libre, utilice un cable prolongador adecuado para utilizarse al aire libre. La utilización de un cable adecuado para usarse al aire libre reduce el riesgo de descarga eléctrica.
- Si no se puede evitar el uso de una herramienta eléctrica en un lugar húmedo, utilice un suministro protegido mediante un dispositivo de corriente residual (RCD). El uso de un RCD reduce el riesgo de descarga eléctrica.

#### 3) Seguridad personal

- Esté atento, preste atención a lo que hace y utilice el sentido común cuando utilice una herramienta eléctrica.

No utilice una herramienta eléctrica cuando esté cansado o esté bajo la influencia de drogas, alcohol o medicación.

La distracción momentánea cuando utiliza herramientas eléctricas puede dar lugar a importantes daños personales.

- Utilice un equipo de protección. Utilice siempre una protección ocular.

El equipo de protección como máscara para el polvo, zapatos de seguridad antideslizantes, casco o protección para oídos utilizado para condiciones adecuadas reducirá los daños personales.

- Evite un inicio involuntario. Asegúrese de que el interruptor está en "off" antes de conectar la herramienta a una fuente de alimentación y/o batería, cogérlo o transportarla.

El transporte de herramientas eléctricas con el dedo en el interruptor o el encendido de herramientas eléctricas con el interruptor encendido puede provocar accidentes.

- Retire las llaves de ajuste antes de encender la herramienta eléctrica.

Si se deja una llave en una pieza giratoria de la herramienta eléctrica podrían producirse daños personales.

- No se extralimite. Mantenga un equilibrio adecuado en todo momento.

Esto permite un mayor control de la herramienta eléctrica en situaciones inesperadas.

- Vístase adecuadamente. No lleve prendas sueltas o joyas. Mantenga el pelo, la ropa y los guantes alejados de las piezas móviles.

La ropa suelta, las joyas y el pelo largo pueden pillarse en las piezas móviles.

- Si se proporcionan dispositivos para la conexión de extracción de polvo e instalaciones de recogida, asegúrese de que están conectados y se utilizan adecuadamente.

La utilización de un sistema de recogida de polvo puede reducir los riesgos relacionados con el polvo.

#### 4) Utilización y mantenimiento de las herramientas eléctricas

- No fuerce la herramienta eléctrica. Utilice la herramienta eléctrica correcta para su aplicación.

La herramienta eléctrica correcta trabajará mejor y de forma más segura si se utiliza a la velocidad para la que fue diseñada.

- No utilice la herramienta eléctrica si el interruptor no la enciende y apaga.

Las herramientas eléctricas que no pueden controlarse con el interruptor son peligrosas y deben repararse.

- Desconecte el enchufe de la fuente eléctrica y/o la batería de la herramienta eléctrica antes de hacer ajustes, cambiar accesorios o almacenar herramientas eléctricas.

Estas medidas de seguridad preventivas reducen el riesgo de que la herramienta eléctrica se ponga en marcha accidentalmente.

- Guarde las herramientas eléctricas que no se utilicen para que no las cojan los niños y no permita que utilicen las herramientas eléctricas personas no familiarizadas con las mismas o con estas instrucciones.

Las herramientas eléctricas son peligrosas si son utilizadas por usuarios sin formación.

- e) **Mantenimiento de las herramientas eléctricas.** Compruebe si las piezas móviles están mal alineadas o unidas, si hay alguna pieza rota u otra condición que pudiera afectar al funcionamiento de las herramientas eléctricas. Si la herramienta eléctrica está dañada, llévela a reparar antes de utilizarla.  
*Se producen muchos accidentes por no realizar un mantenimiento correcto de las herramientas eléctricas.*
- f) **Mantenga las herramientas de corte afiladas y limpias.**  
*Las herramientas de corte correctamente mantenidas con los bordes de corte afilados son más fáciles de controlar.*
- g) **Utilice la herramienta eléctrica, los accesorios y las brocas de la herramienta, etc. de acuerdo con estas instrucciones, teniendo en cuenta las condiciones laborales y el trabajo que se va a realizar.**  
*La utilización de la herramienta eléctrica para operaciones diferentes a aquellas pretendidas podría dar lugar a una situación peligrosa.*
- 5) **Utilización y mantenimiento de las herramientas a batería**
- a) **Recargue sólo con el cargador especificado por el fabricante.**  
*Un cargador adecuado para un tipo de batería podría crear peligro de incendio si se utiliza con otra batería.*
- b) **Utilice herramientas eléctricas sólo con baterías designadas específicamente.**  
*La utilización de otras baterías podría crear peligro de daños e incendio.*
- c) **Cuando no se utilice la batería, manténgala alejada de otros objetos metálicos como clips de papel, monedas, llaves, clavos, tornillos u otros objetos metálicos pequeños que puedan hacer una conexión de un terminal a otro.**  
*Si se acortan y acercan los terminales de las baterías, podrían producirse quemaduras o un incendio.*
- d) **Bajo condiciones abusivas, podría salir líquido de la batería; evite todo contacto. Si se produce un contacto accidentalmente, aclare con agua. Si entra líquido en los ojos, busque ayuda médica.**  
*El líquido de la batería podría causar irritación o quemaduras.*
- 6) **Revisión**
- a) **Lleve su herramienta a que la revise un experto cualificado que utilice sólo piezas de repuesto idénticas.**  
*Esto garantizará el mantenimiento de la seguridad de la herramienta eléctrica.*
- contacto con un cable "activo" pueden dejar al descubierto partes metálicas "activas" de la herramienta motorizada, lo que podría provocar descargas eléctricas al operario.
- Esta es una herramienta portátil para apretar y aflojar tornillos. Empléela solamente para este fin.
  - Utilizar tapones en los oídos cuando se utilice la herramienta durante un largo período de tiempo.
  - El empleo con una sola mano es extremadamente peligroso; cuando utilice la unidad, sosténgala firmemente con ambas manos.
  - Después de instalar la punta de destornillador, tire ligeramente de la misma para asegurarse de que no esté floja. Si no instala adecuadamente la punta, es posible que ésta se afloje durante la operación, lo que podría resultar peligroso.
  - Emplee la punta de destornillador adecuada al tornillo.
  - El apretado angular de un tornillo con el atornillador de impacto puede dañar la cabeza del mismo, y es posible que a éste no se le transmita la fuerza apropiada. Apriete con este atornillador de impacto alineado con el tornillo.
  - Siempre cargar la batería a una temperatura comprendida 0 – 40°C. Si se carga la batería a temperaturas fuera del rango de 0 – 40°C tal vez la carga no se realice correctamente y se reduzca al vida de la batería.  
La temperatura más apropiada para cargar es la de 20 – 25°C.
  - Cuando se completa la carga, dejar descansar el cargador por 15 minutos antes de proseguir con la carga siguiente.
  - No dejar que entre suciedad por el orificio de conexión de la batería recargable.
  - Nunca desarmar la batería recargable ni el cargador.
  - Nunca poner en cortocircuito la batería recargable. Poner en cortocircuito la batería produce una corriente eléctrica enorme y el consecuente recalentamiento, pudiendo quemar o deteriorar la batería.
  - No tirar la batería al fuego.  
Si se quema la batería puede explotar.
  - Llevar la batería al sitio de compra original en el caso de que la duración de la batería recargable sea reducida al usarse. No tirar la batería descargada.
  - El uso de una batería descargada dañará el cargador.
  - No insertar objetos en las ranuras de ventilación del cargador.  
La inserción de objetos metálicos o inflamables en dichas ranuras puede provocar descargas eléctricas o dañar el cargador.

## PRECAUCIÓN

Mantenga a los niños y a las personas enfermas alejadas. Cuando no se utilicen, las herramientas deben almacenarse fuera del alcance de los niños y de las personas enfermas.

## PRECAUCIONES PARA EL ATORNILLADOR DE IMPACTO A BATERÍA

- Sujete la herramienta motorizada por las superficies de agarre aisladas cuando realice una operación donde el pasador pueda entrar en contacto con cables.** Los pasadores que entren en

## ADVERTENCIA DE LA BATERÍA DE LITIO

Para ampliar su duración, la batería de litio está equipada con la función de protección para detener la salida.

En los casos 1 a 3 descritos más abajo, cuando utilice este producto, incluso si tira del interruptor, el motor puede detenerse. No es un problema, sino el resultado de la función de protección.



1. Cuando la batería restante se agota, el motor se detiene.  
En este caso, cárguela inmediatamente.
2. Si la herramienta se sobrecarga, el motor puede detenerse. En este caso, suelte el interruptor de la herramienta y elimine las causas de la sobrecarga. A continuación, puede volverla a utilizar.
3. Si la batería se calienta excesivamente al realizar un trabajo de sobrecarga, la potencia de la batería podría pararse.  
En este caso, deje de utilizar la batería y deje que se enfríe. Posteriormente puede utilizarla de nuevo.

Asimismo, preste atención a las siguientes advertencias y precauciones.

#### ADVERTENCIA

Para evitar fugas de la batería, generación de calor, emisión de humo, explosiones e igniciones, preste atención a las siguientes precauciones.

1. Asegúrese de que no entran virutas o polvo en la batería.
  - Durante el trabajo, asegúrese de que no caen virutas o polvo en la batería.
  - Asegúrese de que las virutas o el polvo que caen sobre la herramienta eléctrica durante el trabajo no entran en la batería.
  - No almacene una batería sin utilizar en un lugar expuesto a virutas y polvo.
  - Antes de almacenar una batería, retire las virutas y el polvo que se haya adherido y no la almacene junto a piezas metálicas (tornillos, clavos, etc.).
2. No agujeree la batería con un objeto afilado como un clavo, no la golpee con un martillo, la pise, la tire o la esponja a fuertes impactos físicos.
3. No utilice una batería que pudiera estar dañada o deformada.
4. No utilice la batería con las polaridades cambiadas.
5. No conecte la batería directamente a salidas eléctricas o a los encendedores de cigarrillos de los coches.
6. No utilice la batería para un fin diferente a los especificados.
7. Si la carga de la batería no finaliza incluso cuando ha transcurrido un determinado tiempo de recarga, detenga inmediatamente la recarga.

8. No coloque o exponga la batería a temperaturas elevadas o alta presión como en un microondas, una secadora o un contenedor de gran presión.
9. Aléjela del fuego inmediatamente cuando se detecte una fuga o un olor raro.
10. No la utilice en un lugar donde se genere gran electricidad estática.
11. Si hay una fuga de la batería, mal olor, se genera color, está descolorida o deformada, o de algún modo funciona de forma anormal durante su utilización, recarga o almacenamiento, retirela inmediatamente del equipo o del cargador de la batería y detenga su utilización.

#### PRECAUCIÓN

1. Si el líquido de fuga de la batería entra en contacto con los ojos, no se los frote y lávelos bien con agua limpia como, por ejemplo, agua del grifo y póngase en contacto con un médico inmediatamente.  
Si no se trata, el líquido podría causar problemas de visión.
2. Si el líquido de fuga entra en contacto con la piel o la ropa, lávela bien con agua limpia como, por ejemplo, agua del grifo inmediatamente.  
Podría producir irritación de la piel.
3. Si observa óxido, mal olor, recalentamiento, decoloración, deformación y/u otras irregularidades al utilizar la batería por primera vez, no la utilice y devuélvasela a su proveedor o distribuidor.

#### ADVERTENCIA

Si un objeto extraño conductor de electricidad entra en los terminales de la batería de litio, podría producirse un cortocircuito, resultando en un riesgo de incendio. Por favor, respete los siguientes consejos cuando almacene la batería.

- **No coloque cortes conductivos, clavos, cables de acero, cables de cobre u otros cables en la caja de almacenamiento.**
- **Instale el paquete de baterías en la herramienta eléctrica o almacénelo presionando la tapa de baterías hasta que se oculten los orificios de ventilación para evitar cortocircuitos. (Ver Fig. 1)**

## ESPECIFICACIONES

### HERRAMIENTA MOTORIZADA

Velocidad sin carga	0-2500 min <sup>-1</sup>
Capacidad (tornillo ordinario)	M5 – M12
Par de torsión (Máximo)	95 N·m
Batería recargable	BCL1015: Li-ion 10,8 V (1,5 Ah 3 celdas)
Peso	1,0 kg

### CARGADOR

Model	UC10SFL
Tensión de carga	10,8 V
Peso	0,35 kg

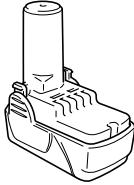
### ACCESORIOS ESTANDAR

WH10DFL (2LCSK)	① Destornillador en cruz (+) (No. 2 × 50L) ..	1
	② Batería (BCL1015) .....	2
	③ Cargador (UC10SFL) .....	1
	④ Caja de plástico .....	1
	⑤ Tapa de batería .....	1

Los accesorios estándar están sujetos a cambio sin previo aviso.

**ACCESORIOS OPCIONALES**  
**(de venta por separado)**

1. Batería (BCL1015)



Lo accesorios facultativos están sujetos a cambio sin previo aviso.

**APLICACIÓN**

- Atornillamiento y desatornillamiento de tornillos para metales, tornillos para madera, tornillos que no necesitan abrir antes su agujero, etc.

**DESMONTAJE E INSTALACIÓN DE LA BATERIA**

**1. Desmontaje de la batería**

Sujetar firmemente el asidero y presionar el cierre de la batería para desmontarla (Ver las **Figs. 1 y 2**).

**PRECAUCIÓN**

No cortocircuitar nunca la batería.

**2. Instalación de la batería**

Insertar la batería observando sus polaridades (ver la **Fig. 2**).

**CARGA**

Antes de usar la herramienta eléctrica, cargar la batería del modo siguiente.

**1. Enchufe el cable de alimentación del cargador a un tomacorriente de CA.**

Cuando haya conectado el enchufe del cargador a una toma de la red, el piloto parpadeará en rojo (A intervalos de 1 segundo).

**2. Inserte la batería en el cargador**

Inserte firmemente la batería en el cargador hasta que entre en contacto con la parte inferior del mismo tal y como se muestra en la **Fig. 3**.

**3. Carga**

Cuando inserte una batería en el cargador, el piloto permanecerá continuamente encendido en rojo. Cuando la batería se haya cargado completamente, el piloto parpadeará en rojo (A intervalos de 1 segundo). (Vea las **Tabla 1**)

(1) Indicaciones de la lámpara indicadora  
Las indicaciones de la lámpara indicadora serán tal y como se muestran en la **Tabla 1**, de acuerdo con la condición del cargador o de la batería.

**Tabla 1**

Indicaciones de la lámpara indicadora			
Lámpara piloto (rojo)	Antes de la carga	Parpadeo	Se encenderá durante 0,5 segundos. No se encenderá durante 0,5 segundos. (Apagada durante 0,5 segundos) ■ ■ ■ ■ ■ ■ ■ ■ ■ ■
	Durante la carga	Iluminación	Iluminación permanente ■ ■ ■ ■ ■ ■ ■ ■ ■ ■
	Carga completa	Parpadeo	Se encenderá durante 0,5 segundos. No se encenderá durante 0,5 segundos. (Apagada durante 0,5 segundos) ■ ■ ■ ■ ■ ■ ■ ■ ■ ■
	Espera por recalentamiento	Parpadeo	Se encenderá durante 1 segundo. No se encenderá durante 0,5 segundos. (Apagada durante 0,5 segundos) ■ ■ ■ ■ ■ ■ ■ ■ ■ ■
	Carga imposible	Destello	Se encenderá durante 0,1 segundos. No se encenderá durante 0,1 segundos. (Apagada durante 0,1 segundos) ■ ■ ■ ■ ■ ■ ■ ■ ■ ■
			Batería recalentada. No puede cargarse (la carga comenzará cuando la batería se enfríe).  Mal funcionamiento de la batería o del cargador

(2) Temperatura de las baterías

Las temperaturas para las baterías recargables se muestran en la **Tabla 2**; las baterías calientes deben dejarse enfriar antes de volver a cargarlas.

**Tabla 2** Márgenes de carga de las baterías

Baterías	Temperatura con la que podrá cargarse la batería
BCL1015	0°C – 50°C

- (3) Tiempo de recarga  
Dependiendo de la combinación del cargador y las baterías, el tiempo de carga será como se muestra en la **Tabla 3**.

**Tabla 3** Tiempo de carga (a 20°C)

Batería	Cargador	UC10SFL
BCL1015		Aprox. 40 min.

#### NOTA

El tiempo de carga puede variar de acuerdo con la temperatura y la tensión de la fuente de alimentación.

4. **Desenchufe el cable de alimentación del cargador del tomacorriente de CA**

5. **Sostenga el cargador firmemente y saque la batería**

#### NOTA

Asegúrese de extraer la batería del cargador después del uso, y guárdela después.

#### Forma de hacer que las baterías duren más

- (1) Recargar las baterías antes de que se hayan agotado completamente.

Si siente que la potencia de la herramienta eléctrica se debilita, deje de utilizarla y recargue su batería. Si continuase utilizando la herramienta hasta agotar la capacidad de la batería, ésta podría dañarse y su duración útil podría acortarse.

- (2) Evite realizar la recarga a altas temperaturas.

Una batería se calentará inmediatamente después de haberla utilizado. Si recargase tal batería inmediatamente después de haberla utilizado, su substancia química interna se deterioraría, y la duración útil de la batería se acortaría. Deje la batería y recárguela después de que se haya enfriado durante cierto tiempo.

#### PRECAUCIÓN:

- Si carga la batería mientras esté caliente por haber estado mucho tiempo en un lugar sometido a la luz solar directa, o por haber acabado de utilizarla, la lámpara de piloto del cargador parpadea durante 1 segundo y no se enciende durante 0,5 segundos (apagada durante 0,5 segundos). En tales casos, deje primero que se enfríe la batería e inicie luego la carga.
- Cuando la lámpara piloto destelle (a intervalos de 0,2 segundos), realice una comprobación y extraiga los objetos extraños de la batería del cargador. Si no hay ningún objeto extraño, es posible que la batería o el cargador funcione mal. Llévelos a un agente de servicio técnico autorizado.
- Como el microprocesador incorporado tarda 3 segundos en confirmar que la batería que estaba cargándose con el UC10SFL se ha extraído, espere 3 segundos como mínimo antes de reinsertarla para continuar cargando.  
Si reinserta la batería antes de 3 segundos, es posible que no se cargue adecuadamente.

## ANTES DE USAR LA HERRAMIENTA

1. **Instalación y comprobación del ambiente de trabajo**  
Compruebe si el ambiente de trabajo es adecuado de acuerdo con las precauciones anteriores.

## COMO SE USA

### 1. Instalación de la punta de destornillador

Para instalar la punta de destornillador, realice siempre el procedimiento siguiente. (Fig. 4)

- (1) Tire del manguito guía hacia delante.
- (2) Inserte la punta del destornillador en el orificio hexagonal en el receptáculo.
- (3) Suelte el manguito guía y devuélvalo a su posición original.

#### PRECAUCIÓN:

Si el manguito guía no vuelve a su posición original, significará que la punta de destornillador no está correctamente instalada.

### 2. Extracción de la broca

Realice la operación contraria a la de instalación de la broca.

### 3. Confirmar que la batería está puesta correctamente

### 4. Examinar la dirección de rotación

La broca rota hacia la derecha (mirándola desde atrás) al oprimir el lado R (der.) de inversión. El lado L (izq.) se usa para hacer girar la broca a la izquierda (Vea las Fig. 5). (Las marcas (L) y (R) están en el cuerpo del taladro.)

### 5. Operación del interruptor

- Cuando se tira del gatillo del interruptor, la herramienta gira.  
Cuando se suelta el gatillo, la herramienta se detiene.
- La velocidad rotacional de la taladradora podrá controlarse variando la presión con la que se tire del interruptor de gatillo. La velocidad será baja cuando se tire ligeramente del gatillo, y aumentará a medida que se tire más de él.

#### NOTA

Se produce un ruido de zumbido antes de que el motor empiece a girar, lo cual no indica problema alguno de la máquina.

### 6. Utilización de la luz

Tire del interruptor de activación para encender la luz. La luz sigue iluminando mientras se tire del interruptor de activación. La luz se apaga tras soltar el interruptor de activación. (Fig. 6)

#### PRECAUCIÓN:

No mire directamente a la luz, ya que podrían producirse daños en los ojos.

### 7. Apretado y aflojado de pernos

Instale la punta de destornillador adecuada al tornillo, alinéela con las ranuras de la cabeza del mismo, y después apriételo.

Empuje el atornillador de percusión lo suficientemente como para que la punta de destornillador encaje en la cabeza del tornillo.

#### PRECAUCIÓN

Si aplica demasiado tiempo el atornillador de impacto sobre el tornillo, éste se apretará demasiado y se romperá.

Apriete los tornillos con el ángulo que no dañe sus cabezas y de forma que se pueda aplicar la fuerza apropiada.

Apriete con el atornillador de impacto alineado con el tornillo.

## PRECAUCIONES OPERACIONALES

### 1. Reposo de la herramienta después de un funcionamiento prolongado

Tras una tarea de apriete de pernos de larga duración, deje la unidad en reposo durante unos 15 minutos al reemplazar la batería. Si reinicia la tarea inmediatamente después de reemplazar la batería, aumentaría la temperatura del motor, del interruptor, etc., con los consiguientes riesgos de quemadura.

### NOTA

No toque las partes metálicas, debido a que puede alcanzar altas temperaturas durante el trabajo continuo.

### 2. Precauciones sobre el empleo del interruptor de control de velocidad

Este interruptor posee un circuito electrónico incorporado que varía la velocidad de rotación. Por consiguiente, cuando apriete el gatillo sólo ligeramente (baja velocidad de rotación) y el motor se pare mientras esté insertando continuamente tornillos, los componentes de dicho circuito electrónico pueden recalentar y dañarse.

### 3. Emplee el tiempo de apriete adecuado al tornillo

El par adecuado a un tornillo difiere de acuerdo con el material y el tamaño del mismo, el material en el que se esté atornillando, etc. Por lo tanto, emplee el tiempo de apriete adecuado al tornillo. En especial, en caso de tornillos menores a M8 si utiliza un tiempo de apriete largo, existe el peligro de rotura de los tornillos, motivo por el que se le aconseja confirmar con antelación el tiempo y el par de apriete.

### 4. Tensión de apriete apropiada para los pernos y tuercas

La tensión de apriete óptima para pernos y tuercas difiere según su material y tamaño. Una tensión de apriete excesiva para un perno pequeño podría deformarlo o romperlo. La tensión de apriete aumenta proporcionalmente al tiempo de operación. Utilice la indicación de la escala y el tiempo de operación adecuados a cada perno.

### 5. Confirmación de la tensión de apriete

Los factores que se mencionen a continuación contribuyen a reducir la tensión de apriete. Comprobar por ello la tensión de apriete necesaria atornillando previamente algunos tornillos con una llave de tuercas manual. Factores que afectan a la tensión de apriete.

#### (1) Tensión

Cuando se alcance el margen de descarga, la tensión se reducirá y la torsión de apriete disminuirá.

#### (2) Tiempo de operación

La tensión de apriete aumenta al aumentar el tiempo de operación. La tensión de apriete sin embargo no supera cierto valor a pesar de que la herramienta funcione durante un largo periodo de tiempo.

#### (3) Diámetro del perno

El par de torsión es diferente al diámetro de la tuerca. En general, un diámetro más grande requiere un par de torsión más grande.

#### (4) Condiciones de apriete

La tensión de apriete difiere según la clase y longitud de los tornillos; a pesar de que éstos tengan la rosca del mismo tamaño. La tensión de apriete difiere también según las condiciones de las superficies del metal en el cual van a apretarse los pernos. Cuando el perno y la tuerca giran conjuntamente, el par se reduce considerablemente.

## MANTENIMIENTO E INSPECCIÓN

### 1. Inspección de las puntas de atornillador

El empleo de una punta rota o desgastada es peligroso porque ésta podría deslizarse. Reemplácela.

### 2. Inspección de los tornillos de montaje

Inspeccionar regularmente los tornillos de montaje y asegurarse que están bien apretados. Si se afloja algún tornillo, hay que apretarlos inmediatamente. De lo contrario, en esto, puede ser muy peligroso.

### 3. Mantenimiento de motor

La unidad de bobinado del motor es el verdadero "corazón" de las herramientas eléctricas. Prestar el mayor cuidado a asegurarse de que el bobinado no se dañe y/o se humedezca con aceite o agua.

### 4. Limpieza en el exterior

Cuando el taladro atornillado esté sucio, limpiarlo con un paño mojado en agua jabonosa. No utilizar disolventes clóricos, gasolina o disolventes para pinturas ya que éstos funden los materiales plásticos.

### 5. Almacenamiento

Guardar el taladro atornillador en un lugar en el cual la temperatura sea inferior a 40°C y esté alejado del alcance de los niños.

### NOTA

Asegúrese de que la batería está completamente cargada si la va a almacenar durante un prolongado periodo de tiempo (3 meses o más). Es posible que la batería con una capacidad más pequeña no se pueda cargar cuando se utilice si se ha almacenado durante un prolongado periodo de tiempo.

### 6. Lista de repuestos

#### PRECAUCIÓN:

La reparación, modificación e inspección de las herramientas eléctricas Hitachi deben ser realizadas por un Centro de Servicio Autorizado de Hitachi. Esta lista de repuestos será de utilidad si es presentada junto con la herramienta al Centro de Servicio Autorizado de Hitachi, para solicitar la reparación o cualquier otro tipo de mantenimiento. En el manejo y el mantenimiento de las herramientas eléctricas, se deberán observar las normas y reglamentos vigentes en cada país.

#### MODIFICACIONES:

Hitachi Power Tools introduce constantemente mejoras y modificaciones para incorporar los últimos avances tecnológicos.

Por consiguiente, algunas partes pueden ser modificadas sin previo aviso.

**Aviso importante sobre las pilas de las herramientas inalámbricas de Hitachi**

Utilice siempre una de nuestras pilas genuinas. No podemos garantizar la seguridad y el funcionamiento de nuestra herramienta eléctrica inalámbrica cuando se utiliza con pilas diferentes a las indicadas por nosotros o cuando la pila se desmonta y modifica (como cuando se desmontan y sustituyen celdas u otras piezas internas).

**GARANTÍA**

Las herramientas motorizadas de Hitachi incluye una garantía conforme al reglamento específico legal/nacional. Esta garantía no cubre los defectos o daños debidos al uso incorrecto, el abuso o el desgaste normal. En caso de reclamación, envíe la herramienta motorizada, sin desmontar y con el CERTIFICADO DE GARANTÍA que aparece al final de estas instrucciones de uso, al Centro de Servicio Autorizado de Hitachi.

**NOTA:**

Debido al programa continuo de investigación y desarrollo de HITACHI estas especificaciones están sujetas a cambio sin previo aviso.

**Información sobre el ruido propagado por el aire y vibración**

Los valores medidos se determinaron de acuerdo con EN60745 declararon de conformidad con ISO 4871.

Nivel de potencia auditiva ponderada A: 103 dB (A)  
 Nivel de presión auditiva ponderada A: 92 dB (A)  
 Duda KpA: 3 dB (A)

Utilice protectores para los oídos.

Valores totales de la vibración (suma de vectores triax.) determinados de acuerdo con EN60745.

Apriete de impacto de los remaches de la máxima capacidad de la herramienta:

Valor de emisión de la vibración  $a_h$ , = 18,1 m/s<sup>2</sup>  
 Incertidumbre K = 1,5 m/s<sup>2</sup>

El valor total de vibración declarado ha sido medido de acuerdo con un método de prueba estándar y permite comparar unas herramientas con otras.

También resulta útil para llevar a cabo evaluaciones preliminares de exposición.

**ADVERTENCIA**

- La emisión de vibración durante la utilización de la herramienta eléctrica puede ser diferente del valor total declarado dependiendo de las formas de utilización de la herramienta.
- Para identificar medidas seguras para proteger al operario basadas en una estimación de exposición en las condiciones reales de uso (teniendo en cuenta todas las partes del ciclo de funcionamiento como tiempos cuando la herramienta está apagada y cuando funciona lentamente además del tiempo de activación).

## AVISOS GERAIS DE SEGURANÇA PARA A FERRAMENTA ELÉCTRICA

### ⚠ AVISO

#### Leia todas as instruções e avisos de segurança

Se não seguir todas as instruções e os avisos, pode provocar um choque eléctrico, incêndio e/ou ferimentos graves.

Guarde todos os avisos e instruções para referência futura. O termo “ferramenta eléctrica” em todos os avisos refere-se à sua ferramenta ligada à corrente (com fios) ou à ferramenta eléctrica a baterias (sem fios).

#### 1) Segurança da área de trabalho

- a) Mantenha a área de trabalho limpa e bem iluminada.

*As áreas escuras ou cheias de material são propícias aos acidentes.*

- b) Não trabalhe com ferramentas eléctricas em ambientes explosivos, tais como na presença de líquidos inflamáveis, gases ou pó.

*As ferramentas eléctricas criam faíscas que podem inflamar o pó dos fumos.*

- c) Mantenha as crianças e outras pessoas afastadas quando trabalhar com uma ferramenta eléctrica. As distrações podem fazer com que perca controlo.

#### 2) Segurança eléctrica

- a) As fichas da ferramenta eléctrica devem corresponder às tomadas.

*Nunca modifique a ficha.*

*Não utilize fichas adaptadoras com ferramentas eléctricas ligadas à terra.*

*As fichas não modificadas e tomadas correspondentes reduzirão o risco de choques eléctricos.*

- b) Evite contacto corporal com superfícies ligadas à terra, tais como tubos, radiadores, máquinas e frigoríficos.

*Existe um risco acrescido de choque eléctrico se o seu corpo estiver ligado à terra.*

- c) Não exponha ferramentas eléctricas à chuva ou condições de humidade.

*A entrada de água numa ferramenta eléctrica aumentará o risco de choques eléctricos.*

- d) Não abuse do fio. Nunca utilize o fio para transportar, puxar ou desligar a ferramenta eléctrica.

*Mantenha o fio afastado do calor, óleo, margens afiadas ou peças em movimento.*

*Os fios danificados ou entrelaçados podem aumentar o risco de choques eléctricos.*

- e) Quando trabalhar com uma ferramenta eléctrica no exterior, utilize uma extensão adequada para utilização exterior.

*A utilização de um fio adequado para utilização no exterior reduz o risco de choques eléctricos.*

- f) Se não for possível evitar a utilização de uma máquina eléctrica num local húmido, utilize uma fonte de alimentação protegida por um dispositivo de corrente residual (RCD).

*A utilização de um RCD reduz o risco de choque eléctrico.*

#### 3) Segurança pessoal

- a) Mantenha-se alerta, esteja atento ao que está a fazer e utilize senso comum quando trabalhar com uma ferramenta eléctrica.

*Não utilize uma ferramenta eléctrica quando estiver cansado ou sob a influência de drogas, álcool ou medicamentos.*

*Um momento de desatenção enquanto trabalha com ferramentas eléctricas pode resultar em ferimentos pessoais graves.*

- b) Utilize equipamento de protecção pessoal. Utilize sempre protecção para os olhos.

*O equipamento de protecção, tal como uma máscara de pó, sapatos de segurança anti-derrapantes, chapéu rígido ou protecção auricular utilizados para condições adequadas reduzirá os ferimentos pessoais.*

- c) Evite ligar por acidente. Certifique-se de que o interruptor está na posição de desligado antes de ligar a fonte de alimentação e/ou bateria, levantar ou transportar a ferramenta.

*Transportar ferramentas eléctricas com o dedo no interruptor ou activar ferramentas que estão com o interruptor ligado é propício a acidentes.*

- d) Remova qualquer chave de parafusos ou chave-inglesa de regulação antes de ligar a ferramenta.

*Uma chave-inglesa ou de parafusos ligada à parte rotativa da ferramenta pode provocar ferimentos pessoais.*

- e) Não se estique. Mantenha sempre o controlo e equilíbrio adequados.

*Isto permite obter um melhor controlo da ferramenta em situações inesperadas.*

- f) Use vestuário adequado. Não use roupas largas ou jóias. Mantenha o cabelo e luvas afastados das peças móveis.

*As roupas largas, jóias ou cabelo comprido podem ser apanhados em peças móveis.*

- g) Se forem fornecidos dispositivos para a ligação de extractores de pó e dispositivos de recolha, certifique-se de que estes estão ligados e são utilizados adequadamente.

*A utilização de uma recolha de pó pode reduzir os perigos relacionados com o pó.*

#### 4) Utilização da ferramenta e manutenção

- a) Não force a ferramenta eléctrica. Utilize a ferramenta correcta para a sua aplicação.

*A ferramenta correcta fará o trabalho melhor e com mais segurança à velocidade para a qual foi concebida.*

- b) Não utilize a ferramenta eléctrica se o interruptor não a ligar ou desligar.

*Qualquer ferramenta que não possa ser controlada com o interruptor é perigosa e deve ser reparada.*

- c) Desligue a ficha da rede antes e/ou a bateria da ferramenta eléctrica antes de efectuar quaisquer regulações, mudar os acessórios ou guardar ferramentas eléctricas.

*Tais medidas de segurança de prevenção reduzem o risco de ligar a ferramenta eléctrica acidentalmente.*

- d) Guarde as ferramentas eléctricas fora do alcance de crianças e não permita que pessoas não habituadas à ferramenta eléctrica ou estas instruções trabalhem com a ferramenta.

*As ferramentas eléctricas são perigosas nas mãos de utilizadores inexperientes.*

- e) Efectue a manutenção de ferramentas eléctricas. Verifique a existência de desalinhamentos ou dobragens das peças móveis, quebras de peças e quaisquer outras condições que possam afectar o funcionamento das ferramentas eléctricas.

*Se danificada, mande reparar a ferramenta antes de utilizar.*

*Muitos acidentes são causados por ferramentas com má manutenção.*

- f) **Mantenha as ferramentas de corte afiadas e limpas.**  
*As ferramentas de corte com uma manutenção adequada e extremidades afiadas são menos propensas a dobrar e mais fáceis de controlar.*
- g) **Utilize a ferramenta eléctrica, acessórios e pontas de ferramentas, etc., de acordo com estas instruções, tomando em consideração as condições de trabalho e o trabalho a ser efectuado.**  
*A utilização de uma ferramenta eléctrica para operações diferentes das concebidas pode resultar num mau funcionamento.*
- 5) **Utilização e manutenção da ferramenta com bateria**
- a) **Apenas é recarregável com o carregador especificado pelo fabricante.**  
*Um carregador que seja adequado para um tipo de bateria pode criar um risco de incêndio quando utilizado com outra bateria.*
- b) **Utilize ferramentas eléctricas apenas com as baterias especialmente concebidas.**  
*A utilização de quaisquer outras baterias poderá criar um risco de ferimentos e incêndios.*
- c) **Quando não estiver a ser utilizada uma bateria, mantenha-a afastada de outros objectos metálicos, tais como cliques de papel, moedas, chaves, pregos, parafusos ou outros objectos metálicos pequenos que possam fazer uma ligação de um terminal para o outro.**  
*Fazer curto-circuito dos terminais da bateria poderá causar queimaduras ou um incêndio.*
- d) **Em condições abusivas, poderá ser ejectado líquido da bateria. Evite o contacto. Se ocorrer um contacto accidental, lave com água. Se o líquido entrar em contacto com os olhos, procure ajuda médica.**  
*O líquido ejectado da bateria poderá provocar irritações ou queimaduras.*
- 6) **Manutenção**
- a) **Faça a manutenção da sua ferramenta eléctrica por um pessoal de reparação qualificado e utilize apenas peças de substituição idênticas.**  
*Isto garantirá que a segurança da ferramenta eléctrica é mantida.*

#### AVISO

Mantenha afastadas das crianças e pessoas doentes. Quando não estiverem a ser utilizadas, as ferramentas devem ser guardadas fora do alcance de crianças e pessoas doentes.

#### PRECAUÇÕES COM A APARAFUSADORA DE IMPACTO A BATERIA

1. **Segure na ferramenta pelas superfícies isoladas, quando efectuar uma operação em que a ferramenta possa entrar em contacto com cabos ocultos.** O contacto da ferramenta com um cabo com corrente poderá electrificar as partes metálicas da ferramenta podendo electrocutar o utilizador.
2. Esta é uma ferramenta portátil para apertar e desapertar parafusos. Utilize-a apenas para essas operações.
3. Em caso de utilização prolongada, use protetores de ouvido.
4. A operação com uma só mão pode ser extremamente perigosa; segure o aparelho firmemente com ambas as mãos durante a operação.

5. Depois de instalar a chave, puxe-a um pouquinho para fora para se certificar de que ela não está frouxa. Se a chave não tiver sido instalada corretamente, ela pode se afrouxar durante o uso, o que pode ser perigoso.
6. Empregue a chave que corresponde ao parafuso.
7. Apertar um parafuso com a aparafusadora com percussão a bateria em ângulo não reto pode ao mesmo tempo danificar a cabeça dele e não transmitir a força apropriada. Coloque a chave de impacto alinhada em ângulo reto com a cabeça do parafuso.
8. Recarregue sempre a bateria numa temperatura entre 0° e 40°C. Carregar a bateria a temperaturas fora do intervalo de 0° a 40°C pode impedir o carregamento correcto e reduzir a autonomia da bateria.  
A temperatura mais apropriada para a recarga é entre 20° e 25°C.
9. Quando terminar um recarregamento, libere o recarregador por cerca de 15 minutos antes da próxima recarga da bateria.
10. Não deixe que materiais estranhos entrem no orifício de conexão da bateria recarregável.
11. Não desmonte nunca a bateria recarregável nem o recarregador.
12. Nunca provoque curto-circuito na bateria recarregável. Ao fazer isso, a bateria provocará uma grande corrente eléctrica e um sobreaquecimento, podendo resultar em queima ou danos à bateria.
13. Não jogue a bateria no fogo. Queimando-se, ela pode explodir.
14. Leve a bateria à loja onde você a comprou assim que a vida útil da bateria após a recarga começar a ficar muito curta para uso prático. Não descarte a bateria velha.
15. O uso de uma bateria velha pode danificar o recarregador.
16. Não insira nenhum objeto nas aberturas de ventilação do recarregador.  
A inserção de objetos metálicos ou inflamáveis nas aberturas de ventilação do recarregador pode causar choques eléctricos ou danificar o recarregador.

#### PRECAUÇÕES PARA A BATERIA DE IÕES DE LÍCIO

Para aumentar a vida útil, a bateria de iões de lítio está equipada com uma função de protecção para impedir a transmissão de corrente.

Nos casos 1 a 3 descritos em baixo, quando utilizar este produto, mesmo que esteja a premir o botão, o motor poderá parar. Isto não constitui uma avaria, sendo o resultado da função de protecção.

1. Quando a carga restante da bateria se esgotar, o motor pára.  
Nesse caso, carregue-a imediatamente.
2. Se a ferramenta estiver sobrecarregada, o motor poderá parar. Nesse caso, solte o botão da ferramenta e elimine as causas da sobrecarga. De seguida, pode voltar a utilizá-la.

3. Se a bateria estiver sobreaquecida em condições de sobrecarga, a alimentação da bateria poderá parar.  
Neste caso, pare de utilizar a bateria e deixe-a arrefecer. Após este período, pode voltar a utilizá-la.

Além disso, tenha em consideração os seguintes avisos e precauções.

## AVISO

Para evitar antecipadamente qualquer fuga na bateria, produção de calor, emissão de fumo, explosão e ignição, certifique-se de que toma as seguintes precauções.

1. Certifique-se de que limalhas e pó não se acumulam na bateria.
  - Durante o trabalho, certifique-se de que limalhas e pó não caem na bateria.
  - Certifique-se de que qualquer limalha e pó que caia na ferramenta durante os trabalhos não se acumulam na bateria.
  - Não guarde uma bateria não utilizada num local exposto a limalhas e ao pó.
  - Antes de guardar uma bateria, remova quaisquer limalhas e pó que possam existir na mesma e não a guarde com peças metálicas (parafusos, pregos, etc.).
2. Não perfure a bateria com objectos afiados como pregos, não lhe bata com um martelo, e não pise, arremesse, nem submeta a bateria a impactos físicos severos.
3. Não utilize uma bateria que pareça estar danificada ou deformada.
4. Não utilize a bateria com a polaridade invertida.
5. Não a ligue directamente a quaisquer tomadas eléctricas ou tomadas de isqueiro de automóvel.
6. Não utilize a bateria para fins que não os especificados.
7. Se a bateria não carregar completamente mesmo após ter passado o tempo de recarga especificado, pare imediatamente de a recarregar.
8. Não coloque nem submeta a bateria a temperaturas elevadas ou a alta pressão, como as de um forno microondas, secador, ou recipiente de alta pressão.

9. Afaste-a imediatamente do fogo quando fugas ou maus odores forem detectados.
10. Não utilizar em locais onde seja produzida uma forte electricidade estática.
11. Se a bateria apresentar fugas, maus odores, produção de calor, descoloração ou deformações, ou parecer funcionar de forma anormal durante a utilização, recarga ou armazenamento, remova-a imediatamente do equipamento ou do carregador de baterias e pare de a utilizar.

## CUIDADO

1. Se o líquido vertido pela bateria entrar nos seus olhos, não os esfregue e lave-os bem com água fresca e limpa como água da torneira e contacte imediatamente um médico.  
Se não for tratado, o líquido pode provocar problemas nos olhos.
2. Se o líquido verter para a sua pele ou roupa, lave-a imediatamente com água limpa como água da torneira.  
Existe a possibilidade do líquido provocar irritação cutânea.
3. Se se deparar com ferrugem, maus odores, sobreaquecimento, descoloração, deformações e/ou outras irregularidades ao utilizar a bateria pela primeira vez, pare de utilizá-la e devolva-a ao seu fornecedor ou vendedor.

## AVISO

Se um objecto estranho condutor de electricidade entrar nos terminais da bateria de iões de lítio, pode ocorrer um curto-circuito, com o conseqüente risco de incêndio. Obedeça às indicações seguintes quando guardar a bateria.

- **Não coloque rebarbas, pregos, fio de aço, fio de cobre ou qualquer outro tipo de fios na mala de armazenamento.**
- **Instale a bateria na ferramenta eléctrica ou guarde-a em segurança premindo a tampa da bateria até que os orifícios de ventilação estejam ocultos, para evitar curtos-circuitos. (Consulte a Fig. 1)**

## ESPECIFICAÇÕES

### FERRAMENTA ELÉTRICA

Rotação sem carga	0-2500 min <sup>-1</sup>
Capacidade (parafuso normal)	M5 – M12
Binário de aperto (Máximo)	95 N·m
Bateria recarregável	BCL1015: Li-ion 10,8 V (1,5 Ah 3 células)
Peso	1,0 kg

### RECARREGADOR

Modelo	UC10SFL
Voltagem para recarga	10,8 V
Peso	0,35 kg

### ACESSÓRIOS-PADRÃO

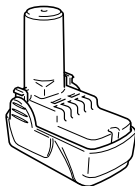
WH10DFL (2LCSK)	① Palheto de chave mais (N° 2 × 50L) ....	1
	② Bateria (BCL1015) .....	2
	③ Recarregador (UC10SFL) .....	1
	④ Estojo de plástico .....	1
	⑤ Tampa da bateria .....	1

Os acessórios-padrão estão sujeitos a mudanças sem aviso prévio.



## ACESSÓRIOS OPCIONAIS (vendidos separadamente)

### 1. Bateria (BCL1015)



Os acessórios opcionais estão sujeitos a mudanças sem aviso prévio.

## APLICAÇÕES

- Aparafusar e retirar parafusos de metal, parafusos de madeira, parafusos de rosca, etc.

## RETIRADA/INSTALAÇÃO DA BATERIA

### 1. Retirada da bateria

Segure a empunhadura firmemente e aperte a lingüeta da bateria para retirar a bateria (veja **Figs. 1 e 2**).

## CUIDADO

Não provoque nunca curto-circuito na bateria.

### 2. Instalação da bateria

Insira a bateria, observando a direção correta (veja **Fig. 2**).

## RECARGA

Antes de usar a ferramenta elétrica, recarregue a bateria da seguinte forma.

### 1. Conecte o cabo de eletricidade do recarregador na tomada.

Ao ligar a ficha do carregador a uma tomada, a lâmpada avisadora piscará a vermelho (Em intervalos de 1 segundo).

### 2. Insira a bateria no recarregador.

Insira firmemente a bateria no recarregador até que ela entre em contato com o fundo do recarregador, como mostra a **Fig. 3**.

### 3. Recarga

Ao inserir a bateria no carregador, a luz avisadora acender-se-á continuamente a vermelho.

Quando a bateria ficar completamente recarregada, a luz avisadora piscará a vermelho (Em intervalos de 1 segundo). (Veja **Tabela 1**)

### (1) Indicação da lâmpada piloto

As indicações da lâmpada piloto serão apresentadas na **Tabela 1**, de acordo com a condição do carregador ou a bateria recarregável.

Tabela 1

		Indicações da lâmpada piloto		
Lâmpada piloto (vermelha)	Antes da recarga	Pisca	Acende-se por 0,5 segundo. Não se acende por 0,5 segundo. (desliga-se por 0,5 segundo) ■	
	Durante a recarga	Acende	Fica continuamente acesa ■■	
	Recarga completa	Pisca	Acende-se por 0,5 segundo. Não se acende por 0,5 segundo. (desliga-se por 0,5 segundo) ■	
	Standby em caso de sobreaquecimento	Pisca	Acende-se por 1 segundo. Não se acende por 0,5 segundo. (desliga-se por 0,5 segundo) ■■	Bateria sobreaquecida. Não é possível carregar (a carga inicia quando a bateria arrefecer).
	Recarga impossível	Pisca	Acende-se por 0,1 segundo. Não se acende por 0,1 segundo. (desliga-se por 0,1 segundo) ■	Defeito na bateria ou no carregador

(2) Quanto a temperaturas da bateria recarregável  
As temperaturas aplicáveis às baterias recarregáveis estão indicadas na **Quadro 2**; as baterias que tenham aquecido devem ser deixadas a arrefecer durante algum tempo antes de serem recarregadas.

Quadro 2 Limites para recarga de baterias

Baterias recarregáveis	Temperaturas nas quais a bateria pode ser recarregada
BCL1015	0° C – 50° C

(3) Quanto ao tempo de recarga  
Conforme a combinação do recarregador e das baterias, o tempo de recarga será o que mostra o **Quadro 3**.

Quadro 3 Tempo de recarga (a 20° C)

		Recarregador	UC10SFL
Bateria			
BCL1015			Aprox. 40 min.

## NOTA

O tempo de recarga pode variar conforme a temperatura e a voltagem da fonte de energia.

## 4. Desconecte da tomada o cabo de energia do recarregador

## 5. Segure o recarregador firmemente e puxe a bateria para fora

## NOTA

Não esqueça de retirar a bateria do recarregador depois da utilização e de guardá-la de forma correta.

### Como prolongar a vida útil das baterias

## (1) Recarregue as baterias antes que elas se descarreguem completamente.

Quando sentir que a potência da ferramenta enfraquece, pare de usá-la e recarregue a bateria. Se continuar a usar a ferramenta e descarregar a corrente elétrica, a bateria pode se danificar e sua vida útil ficará menor.

## (2) Evite fazer a recarga em altas temperaturas.

Um bateria recarregável se aquece imediatamente depois do uso. Se ela for recarregada imediatamente depois de ter sido usada, sua substância química interna pode deteriorar e sua vida útil pode diminuir. Deixe a bateria descansar e recarregue-a somente depois que ela tiver esfriado por algum tempo.

## CUIDADO

- Se a bateria for carregada enquanto estiver quente por ter permanecido por um longo tempo em local sujeito à luz directa do sol, ou porque acabou de ser usada, a lâmpada piloto do carregador pisca acendendo-se durante 1 segundo e não se acende durante 0,5 segundos (apagada durante 0,5 segundos). Nesse caso, primeiro deixe a bateria esfriar para depois iniciar a recarga.
- Quando a lâmpada piloto piscar (em intervalos de 0,2 segundo), verifique se existe algum objeto estranho no conector do carregador da bateria. Caso exista, retire-o de lá imediatamente. Caso exista, retire-o de lá imediatamente. Se não houver nenhum objeto estranho, é provável que a bateria ou o recarregador estejam com defeito. Leve ambos até o serviço autorizado.
- Como o microcomputador integrado leva cerca de 3 segundos para confirmar se a bateria que está sendo recarregada com UC10SFL foi retirada, espere no mínimo 3 segundos antes de reinseri-la para que continue a ser recarregada. Caso seja reinserida dentro de 3 segundos, ela pode não estar sendo recarregada de maneira correta.

## ANTES DA OPERAÇÃO

### 1. Definição e verificação do ambiente de trabalho

Confirme se o ambiente de trabalho é apropriado, de acordo com as precauções indicadas acima.

## MODO DE USAR

### 1. Instalação da palheta

Siga sempre os procedimentos mencionados abaixo para instalar as chaves. (Fig. 4)

(1) Puxe a manga-guia para a frente.

(2) Insira a chave no orifício sextavado da tomada.

(3) Solte a manga-guia, que retorna à sua posição original.

## CUIDADO

Se a manga-guia não voltar à posição original, isto significa que a chave não foi instalada corretamente.

### 2. Retirar a broca

Efectue o procedimento oposto de colocação da broca.

### 3. Verifique se a bateria está montada corretamente

### 4. Verifique a direção de rotação

A broca gira no sentido horário (vista de trás) ao apertar o lado R (direito) do seletor. O lado L (esquerdo) do seletor é apertado para girar a broca no sentido anti-horário. (Veja Fig. 5) (As marcas (L) e (R) estão no corpo do aparelho).

### 5. Operação do interruptor

○ Quando o interruptor de gatilho é apertado, a ferramenta gira. Quando o gatilho é solto, a ferramenta pára de funcionar.

○ A velocidade de rotação do berbequim pode ser controlada pela variação da força de aperto no gatilho. A velocidade é baixa quando o gatilho é apertado um pouco e aumenta à medida que o gatilho é apertado com mais força.

## NOTA

Pode ser produzido um som de pio quando o motor estiver para começar a girar, mas é apenas um ruído, não um defeito da máquina.

### 6. Utilizar a luz

Prima o interruptor do gatilho para acender a luz. A luz acende enquanto o gatilho é premido. A luz apaga quando soltar o gatilho. (Fig. 6)

## CUIDADO

Não olhe directamente para a luz. Poderia ferir os olhos.

### 7. Aperto e desaperto de parafusos

Instale a chave que corresponde ao parafuso, alinhe a chave com as fendas da cabeça do parafuso, depois aperte-o.

Empurre a chave de fenda de impacto apenas o suficiente para manter a chave encaixada na cabeça do parafuso.

## CUIDADO

A aplicação da ferramenta por muito tempo aperta o parafuso demais e pode mesmo chegar a quebrá-lo.

Um ângulo errado também pode danificar a cabeça do parafuso e não transmitir a força a ele.

Aperte o parafuso com esta chave de fenda de impacto em ângulo reto em relação ao parafuso.

## PRECAUÇÕES OPERACIONAIS

### 1. Descanso do aparelho depois de trabalho contínuo

Depois de utilizar a ferramenta para um trabalho de apertar parafusos, descanse o aparelho por cerca de 15 minutos, ao trocar a bateria. A temperatura do motor, do interruptor, etc., vai subir se o trabalho se iniciar imediatamente depois da troca da bateria, resultando até em queima por superaquecimento.

## NOTA

Não toque nas partes metálicas, pois aquecem muito durante o trabalho contínuo.

## 2. Precauções quanto ao uso de controle de velocidade do comutador

Este comutador possui um circuito eletrônico integrado, que varia a velocidade de rotação sem etapas intermediárias. Consequentemente, quando o gatilho do comutador é apertado apenas de leve (rotação em baixa velocidade) e o motor é parado enquanto a máquina estiver aparafusando continuamente, os componentes do circuito eletrônico podem se sobreaquecer e se danificar.

## 3. Utilização de tempo de aperto adequado ao parafuso

O torque apropriado ao parafuso difere segundo o material e o tamanho do parafuso, do material onde se aparafusa, etc., portanto, utilize um tempo de aperto adequado ao parafuso. Em particular, se for gasto um tempo longo para parafusos menores que M8, existe o risco de que o parafuso quebre, por isso verifique antes o tempo e o torque de aperto.

## 4. Torque de aperto adequado para o parafuso sob impacto

O torque de aperto ótimo para porcas ou parafusos difere segundo o material e o tamanho das porcas e dos parafusos. Um torque de aperto excessivamente grande para um parafuso pequeno pode comprimir ou quebrar o parafuso. O torque de aperto aumenta em proporção ao tempo de operação. Utilize o tempo de operação correto para o parafuso.

## 5. Confirmação do torque de aperto

Alguns fatores contribuem para uma redução do torque de aperto. Antes do início do trabalho, não deixe de confirmar o torque de aperto necessário para apertar certos parafusos. Os fatores que afetam o torque de aperto são os seguintes.

### (1) Voltagem

Quando uma margem de descarga é atingida, a voltagem diminui e o torque de aperto fica mais baixo.

### (2) Tempo de operação

O torque de aperto cresce à medida que o tempo de operação aumenta. Mas o torque de aperto não aumenta acima de um certo valor mesmo se a ferramenta for utilizada por longo tempo.

### (3) Diâmetro do parafuso

O binário de aperto é diferente do diâmetro do parafuso. Normalmente, um parafuso de diâmetro superior necessita de um binário de aperto superior.

### (4) Condições de aperto

O torque de aperto difere segundo a proporção do torque, a classe e o comprimento dos parafusos mesmo quando se utilizam aqueles que possuem roscas do mesmo tamanho. O torque de aperto também difere de acordo com a condição da superfície da peça através da qual o parafuso são apertados. Quando um parafuso e uma porca giram juntos, o torque é grandemente reduzido.

## 2. Inspeção dos parafusos de fixação

Inspeccione regularmente todos os parafusos de fixação e se certifique de que estão corretamente apertados. Caso algum parafuso se afrouxe, reaperte-o imediatamente, do contrário existe risco de graves problemas.

## 3. Manutenção do motor

O enrolamento do motor do aparelho é o “coração” da ferramenta elétrica.

Tome o devido cuidado para assegurar que o enrolamento não se danifique e/ou fique molhado com óleo ou água.

## 4. Limpeza externa

Quando o berbequim aparafusadora estiver manchado, limpe-o com um pano macio e seco umedecido com água com sabão. Não utilize solventes clorídricos, gasolina ou solventes de tinta, pois eles derretem plásticos.

## 5. Armazenagem

Guarde o berbequim aparafusadora num local cuja temperatura seja menor que 40°C e fora do alcance de crianças.

## NOTA

Certifique-se de que a bateria se encontra totalmente carregada quando a mesma tiver sido armazenada durante um longo período (3 meses ou mais). Poderá não ser possível utilizar uma bateria com menor capacidade depois de a mesma ter estado armazenada durante um longo período.

## 6. Lista de peças para conserto

### CUIDADO

Consertos, modificações e inspeção de Ferramentas Elétricas da Hitachi devem ser realizados por uma Oficina Autorizada da Hitachi.

Esta lista de peças pode ser útil se apresentada com a ferramenta na Oficina Autorizada da Hitachi ao solicitar conserto ou manutenção.

Na operação e na manutenção das ferramentas elétricas, devem-se observar as normas de segurança e os padrões prescritos por cada país.

### MODIFICAÇÃO:

As Ferramentas Elétricas da Hitachi estão sempre sendo aperfeiçoadas e modificadas para incorporar os mais recentes avanços tecnológicos.

Dessa forma, algumas peças podem mudar sem aviso prévio.

### Aviso importante sobre as baterias para as ferramentas sem fios Hitachi.

Utilize sempre uma das nossas baterias originais designadas. Não podemos garantir a segurança e desempenho da nossa ferramenta sem fios quando é utilizada com baterias diferentes das baterias designadas por nós ou quando a bateria é desmontada e modificada (assim como desmontagem e substituição das células ou outras peças internas).

## MANUTENÇÃO E INSPEÇÃO

### 1. Inspeção da ferramenta

Como o uso de uma ferramenta sem fio diminui a eficiência e causa possíveis falhas no motor, afie ou troque a ferramenta assim que notar que ela está ficando cega.

---

## GARANTIA

---

Garantimos que a Hitachi Power Tools obedece às respectivas normas específicas estatutárias/de país. Esta garantia não cobre avarias ou danos derivados de má utilização, abuso ou desgaste normal. Em caso de queixa, envie a Ferramenta, não desmontada, juntamente com o CERTIFICADO DE GARANTIA que se encontra no fundo destas instruções de utilização, para um Centro de Serviço Autorizado Hitachi.

---

### NOTA:

Devido ao contínuo programa de pesquisa e desenvolvimento da HITACHI, as especificações aqui contidas estão sujeitas a mudanças sem aviso prévio.

---

---

### Informação a respeito de ruídos e vibração do ar

Os valores medidos foram determinados de acordo com a EN60745 e declarados em conformidade com a ISO 4871.

Nível de potência sonora ponderada A medida: 103 dB (A)  
Nível de pressão sonora ponderada A medida: 92 dB (A)  
Imprecisão KpA: 3 dB (A)

Use protetores de ouvido.

Os valores totais da vibração (soma do vector triax) são determinados de acordo com a norma EN60745.

Aperto por impacto de fixadores da capacidade máxima da ferramenta:

Valor de emissão de vibrações **ah**, = 18,1 m/s<sup>2</sup>

Incerteza de K = 1,5 m/s<sup>2</sup>

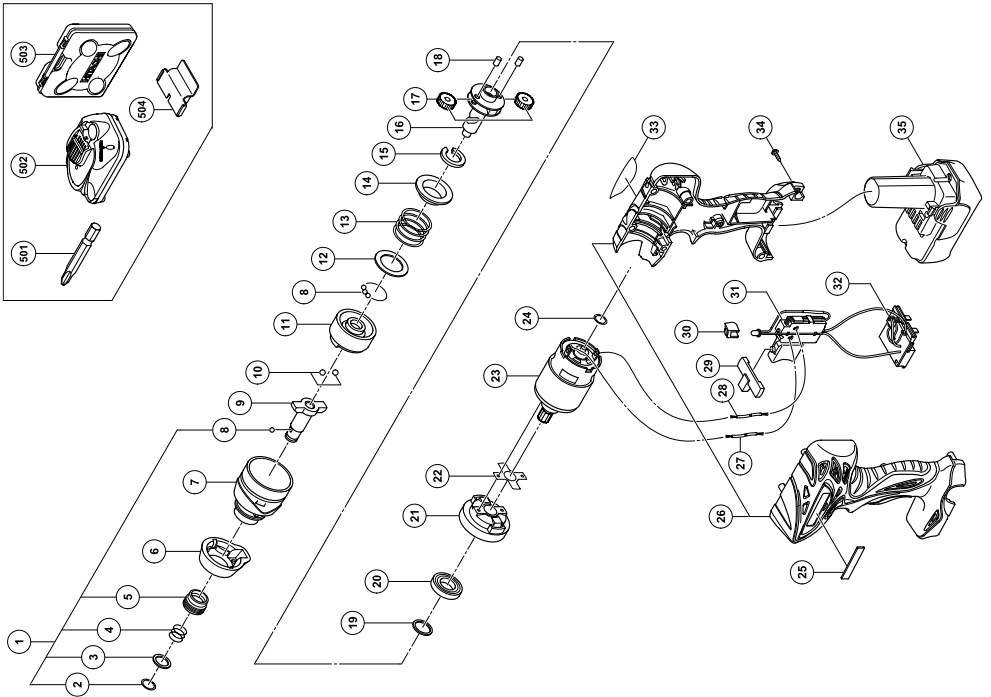
---

O valor total de vibração declarado foi medido de acordo com um método de teste padrão e pode ser utilizado para comparar ferramentas.

Pode também ser utilizado numa avaliação preliminar de exposição.

### AVISO

- O valor de emissão de vibrações durante a utilização da ferramenta eléctrica pode ser diferente do valor total declarado, consoante as formas de utilização da ferramenta.
- Para identificar as medidas de segurança para proteger o operador, que são baseadas numa estimativa de exposição nas actuais condições de utilização (tendo em conta todas as partes do ciclo de funcionamento, tais como os tempos em que a ferramenta é desligada e quando está a funcionar ao ralenti, além do tempo de accionamento do gatilho).



Item No.	Part Name	QTY
501	+ DRIVER BIT (B) NO.2 50L	1
502	CHARGER UC10SFL	1
503	CASE	1
504	BATTERY COVER	1

Item No.	Part Name	QTY
1	GUIDE SLEEVE SET	1
2	STOP WASHER	1
3	WASHER (F)	1
4	GUIDE SPRING (C)	1
5	GUIDE SLEEVE (C)	1
6	FRONT CAP	1
7	HAMMER CASE	1
8	STEEL BALL D3.175	29
9	ANVIL (S)	1
10	STEEL BALL D5.566	2
11	HAMMER	1
12	WASHER (J)	1
13	HAMMER SPRING	1
14	WASHER (S)	1
15	STOPPER	1
16	SPINDLE	1
17	IDLE GEAR	2
18	NEEDLE ROLLER	2
19	WASHER (G)	1
20	BALL BEARING	1
21	RING GEAR	1
22	PACKING (A)	1
23	MOTOR ASS'Y	1
24	O-RING	1
25	HITACHI LABEL	1
26	HOUSING (A), (B) SET	1
27	LEAD WIRE (C)	1
28	LEAD WIRE (B)	1
29	PUSH BUTTON (A)	1
30	LED HOLDER	1
31	DC SPEED CONTROL SWITCH	1
32	CONTROLLER ASS'Y (B)	1
33	NAMEPLATE	1
34	TAPPING SCREW (W/FLANGE) D3x16	8
35	BATTERY BCL1015	2



<p>English</p> <p><b><u>GUARANTEE CERTIFICATE</u></b></p> <ol style="list-style-type: none"> <li>① Model No.</li> <li>② Serial No.</li> <li>③ Date of Purchase</li> <li>④ Customer Name and Address</li> <li>⑤ Dealer Name and Address (Please stamp dealer name and address)</li> </ol>	<p>Nederlands</p> <p><b><u>GARANTIEBEWIJS</u></b></p> <ol style="list-style-type: none"> <li>① Modelnummer</li> <li>② Serienummer</li> <li>③ Datum van aankoop</li> <li>④ Naam en adres van de gebruiker</li> <li>⑤ Naam en adres van de handelaar (Stempel a.u.b. naam en adres vande de handelaar)</li> </ol>
<p>Deutsch</p> <p><b><u>GARANTIESCHEIN</u></b></p> <ol style="list-style-type: none"> <li>① Modell-Nr.</li> <li>② Serien-Nr.</li> <li>③ Kaufdatum</li> <li>④ Name und Anschrift des Kunden</li> <li>⑤ Name und Anschrift des Händlers (Bitte mit Namen und Anschrift des Handlers abstempeln)</li> </ol>	<p>Español</p> <p><b><u>CERTIFICADO DE GARANTIA</u></b></p> <ol style="list-style-type: none"> <li>① Número de modelo</li> <li>② Número de serie</li> <li>③ Fecha de adquisición</li> <li>④ Nombre y dirección del cliente</li> <li>⑤ Nombre y dirección del distribuidor (Se ruega poner el sellú del distribuidor con su nombre y dirección)</li> </ol>
<p>Français</p> <p><b><u>CERTIFICAT DE GARANTIE</u></b></p> <ol style="list-style-type: none"> <li>① No. de modèle</li> <li>② No. de série</li> <li>③ Date d'achat</li> <li>④ Nom et adresse du client</li> <li>⑤ Nom et adresse du revendeur (Cachet portant le nom et l'adresse du revendeur)</li> </ol>	<p>Português</p> <p><b><u>CERTIFICADO DE GARANTIA</u></b></p> <ol style="list-style-type: none"> <li>① Número do modelo</li> <li>② Número do série</li> <li>③ Data de compra</li> <li>④ Nome e morada do cliente</li> <li>⑤ Nome e morada do distribuidor (Por favor, carimbe o nome e morada do distribuidor)</li> </ol>
<p>Italiano</p> <p><b><u>CERTIFICATO DI GARANZIA</u></b></p> <ol style="list-style-type: none"> <li>① Modello</li> <li>② N° di serie</li> <li>③ Data di acquisto</li> <li>④ Nome e indirizzo dell'acquirente</li> <li>⑤ Nome e indirizzo del rivenditore (Si prega di apporre il timbro con questi dati)</li> </ol>	



# HITACHI

①	
②	
③	
④	
⑤	





## **Hitachi Power Tools Europe GmbH**

Siemensring 34, 47877 Willich 1, F. R. Germany  
Tel: +49 2154 49930  
Fax: +49 2154 499350  
URL: <http://www.hitachi-powertools.de>

## **Hitachi Power Tools Netherlands B. V.**

Brabanthaven 11, 3433 PJ Nieuwegein, The Netherlands  
Tel: +31 30 6084040  
Fax: +31 30 6067266  
URL: <http://www.hitachi-powertools.nl>

## **Hitachi Power Tools (U. K.) Ltd.**

Precedent Drive, Rooksley, Milton Keynes, MK 13, 8PJ, United Kingdom  
Tel: +44 1908 660663  
Fax: +44 1908 606642  
URL: <http://www.hitachi-powertools.co.uk>

## **Hitachi Power Tools France S. A. S.**

Prac del' Eglantier 22, rue des Crerisiers Lisses, C. E. 1541,  
91015 EVRY CEDEX, France  
Tel: +33 1 69474949  
Fax: +33 1 60861416  
URL: <http://www.hitachi-powertools.fr>

## **Hitachi Power Tools Belgium N.V. / S.A.**

Koningin Astridlaan 51, 1780 Wommel, Belgium  
Tel: +32 2 460 1720  
Fax: +32 2 460 2542  
URL <http://www.hitachi-powertools.be>

## **Hitachi Fercad Power Tools Italia S.p.A**

Via Retrone 49-36077, Altavilla Vicentina (VI), Italy  
Tel: +39 0444 548111  
Fax: +39 0444 548110  
URL: <http://www.hitachi-powertools.it>

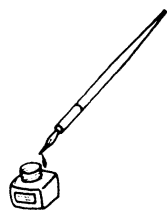
## **Hitachi Power Tools Iberica, S.A.**


C / Migjorn, s/n, Poligono Norte, 08226 Terrassa, Barcelona, Spain  
Tel: +34 93 735 6722  
Fax: +34 93 735 7442  
URL: <http://www.hitachi-powertools.es>

## **Hitachi Power Tools Österreich GmbH**

Str. 7, Objekt 58/A6, Industriezentrum NÖ –Süd 2355  
Wiener Neudorf, Austria  
Tel: +43 2236 64673/5  
Fax: +43 2236 63373





<p>English</p> <p><b><u>EC DECLARATION OF CONFORMITY</u></b></p> <p>We declare under our sole responsibility that this product is in conformity with standards or standardization documents EN60745, EN60335, EN55014 and EN61000 in accordance with Directives 2004/108/EC, 2006/95/EC and 2006/42/EC.</p> <p>The European Standards Manager at Hitachi Koki Europe Ltd. is authorized to compile the technical file.</p> <p>This declaration is applicable to the product affixed CE marking.</p>	<p>Nederlands</p> <p><b><u>EC VERKLARING VAN CONFORMITEIT</u></b></p> <p>Wij verklaren onder eigen verantwoordelijkheid dat dit product conform de richtlijnen of gestandaardiseerde documenten EN60745, EN60335, EN55014 en EN61000 voldoet aan de eisen van bepalingen 2004/108/EC, 2006/95/EC en 2006/42/EC.</p> <p>De manager voor Europese normen van Hitachi Koki Europe Ltd. heeft de bevoegdheid tot het samenstellen van het technische bestand.</p> <p>Deze verklaring is van toepassing op producten voorzien van de CE-markeringen.</p>
<p>Deutsch</p> <p><b><u>ERKLÄRUNG ZUR KONFORMITÄT MIT CE-REGELN</u></b></p> <p>Wir erklären mit alleiniger Verantwortung, dass dieses Produkt den Standards oder Standardisierungsdokumenten EN60745, EN60335, EN55014 und EN61000 in Übereinstimmung mit den Direktiven 2004/108/CE, 2006/95/CE und 2006/42/CE entspricht.</p> <p>Der Manager für europäische Standards bei der Hitachi Koki Europe Ltd. ist zum Verfassen der technischen Datei befugt.</p> <p>Diese Erklärung gilt für Produkte, die die CE-Markierung tragen.</p>	<p>Español</p> <p><b><u>DECLARACIÓN DE CONFORMIDAD DE LA CE</u></b></p> <p>Declaramos bajo nuestra única responsabilidad que este producto está de acuerdo con las normas o con los documentos de normalización EN60745, EN60335, EN55014 y EN61000, según indican las Directrices 2004/108/CE, 2006/95/CE y 2006/42/CE.</p> <p>El Jefe de Normas Europeas de Hitachi Koki Europe Ltd. está autorizado para recopilar archivos técnicos.</p> <p>Esta declaración se aplica a los productos con marcas de la CE.</p>
<p>Français</p> <p><b><u>DECLARATION DE CONFORMITE CE</u></b></p> <p>Nous déclarons sous notre seule et entière responsabilité que ce produit est conforme aux normes ou documents de normalisation EN60745, EN60335, EN55014 et EN61000 en accord avec les Directives 2004/108/CE, 2006/95CE et 2006/42/CE.</p> <p>Le responsable des normes européennes d'Hitachi Koki Europe Ltd. est autorisé à compiler les données techniques.</p> <p>Cette déclaration s'applique aux produits désignés CE.</p>	<p>Português</p> <p><b><u>DECLARAÇÃO DE CONFORMIDADE CE</u></b></p> <p>Declaramos, sob nossa única e inteira responsabilidade, que este produto está de acordo com as normas ou documentos normativos EN60745, EN60335, EN55014 e EN61000, em conformidade com as Directrizes 2004/108/CE, 2006/95/CE e 2006/42/CE.</p> <p>O Gestor de Normas Europeias da Hitachi Koki Europe Ltd. está autorizado a compilar o ficheiro técnico.</p> <p>Esta declaração se aplica aos produtos designados CE.</p>
<p>Italiano</p> <p><b><u>DICHIARAZIONE DI CONFORMITÀ CE</u></b></p> <p>Dichiariamo sotto nostra responsabilità che questo prodotto è conforme agli standard o ai documenti sulla standardizzazione EN60745, EN60335, EN55014 e EN61000 in conformità alle Direttive 2004/108/CE, 2006/95/CE, e 2006/42/CE.</p> <p>Il Responsabile delle Norme Europee di Hitachi Koki Ltd. è autorizzato a compilare la scheda tecnica.</p> <p>Questa dichiarazione è applicabile ai prodotti cui sono applicati i marchi CE.</p>	
<p>Representative office in Europe  <b>Hitachi Power Tools Europe GmbH</b>  Siemensring 34, 47877 Willich 1, F. R. Germany</p> <p>Technical file at:  <b>Hitachi Koki Europe Ltd.</b>  Clonshaugh Business &amp; Technology Park, Dublin 17, Ireland</p> <p>Head office in Japan  <b>Hitachi Koki Co., Ltd.</b>  Shinagawa Intercity Tower A, 15-1, Konan 2-chome, Minato-ku, Tokyo, Japan</p> <div style="text-align: right;">  <p>30. 6. 2011</p> <p><i>F. Tashimo</i></p> <hr/> <p>F. Tashimo  Vice-President &amp; Director</p> </div>	

 **Hitachi Koki Co., Ltd.**