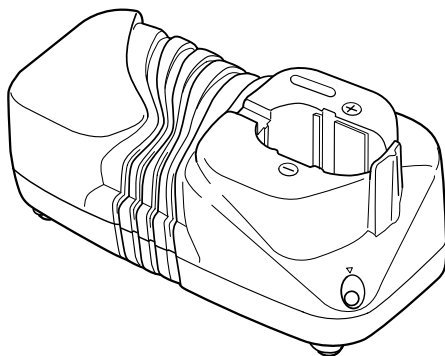


# HITACHI

**Charger**  
**Ladegerät**  
**Chargeur**  
**Caricatore**  
**Oplader**  
**Cargador**

**Recarregador**  
**Φορτιστής**  
**Laddningsaggregat**  
**Opladeapparat**  
**Ladeapparat**  
**Laturi**

## UC 18YGL2

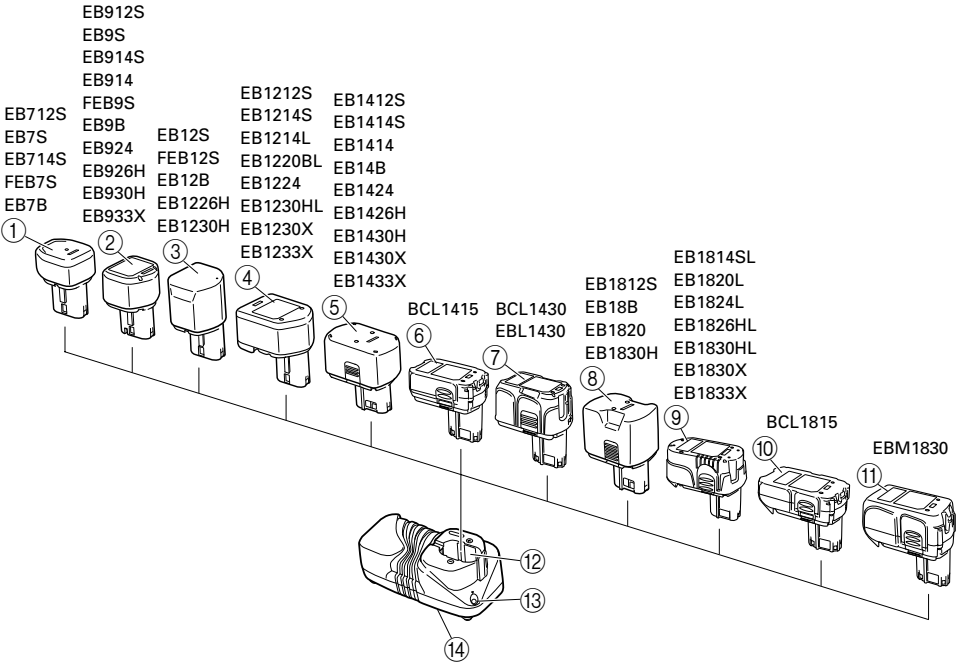


Read through carefully and understand these instructions before use.  
Diese Anleitung vor Benutzung des Werkzeugs sorgfältig durchlesen und verstehen.  
Lire soigneusement et bien assimiler ces instructions avant usage.  
Prima dell'uso leggere attentamente e comprendere queste istruzioni.  
Deze gebruiksaanwijzing s.v.p. voor gebruik zorgvuldig doorlezen.  
Leer cuidadosamente y comprender estas instrucciones antes del uso.  
Antes de usar, leia com cuidado para assimilar estas instruções.  
Διαβάστε προσεκτικά και κατανοήστε αυτές τις οδηγίες πριν τη χρήση.  
Läs bruksanvisningen noga igenom före verktygets användning.  
Læs instruktionerne nøje igennem, før maskinen tages i brug.  
Les grundig og forstå anvisningene før bruk.  
Lue ohjeet huolellisesti ennen käyttöä.

Handling instructions  
Bedienungsanleitung  
Mode d'emploi  
Istruzioni per l'uso  
Gebruiksaanwijzing  
Instrucciones de manejo

Instruções de uso  
Οδηγίες χειρισμού  
Bruksanvisning  
Brugsanvisning  
Bruksanvisning  
Käyttöohjeet

**Hitachi Koki**




	English	Deutsch	Français
①	Rechargeable battery (EB712S, EB7S, EB714S, FEB7S, EB7B)	Akkumulator (EB712S, EB7S, EB714S, FEB7S, EB7B)	Batterie rechargeable (EB712S, EB7S, EB714S, FEB7S, EB7B)
②	Rechargeable battery (EB912S, EB9S, EB914S ,EB914, FEB9S, EB9B, EB924, EB926H, EB930H, EB933X)	Akkumulator (EB912S, EB9S, EB914S ,EB914, FEB9S, EB9B, EB924, EB926H, EB930H, EB933X)	Batterie rechargeable (EB912S, EB9S, EB914S ,EB914, FEB9S, EB9B, EB924, EB926H, EB930H, EB933X)
③	Rechargeable battery (EB12S, FEB12S, EB12B, EB1226H, EB1230H)	Akkumulator (EB12S, FEB12S, EB12B, EB1226H, EB1230H)	Batterie rechargeable (EB12S, FEB12S, EB12B, EB1226H, EB1230H)
④	Rechargeable battery (EB1212S, EB1214S, EB1214L, EB1220BL, EB1224, EB1230HL, EB1230X, EB1233X)	Akkumulator (EB1212S, EB1214S, EB1214L, EB1220BL, EB1224, EB1230HL, EB1230X, EB1233X)	Batterie rechargeable (EB1212S, EB1214S, EB1214L, EB1220BL, EB1224, EB1230HL, EB1230X, EB1233X)
⑤	Rechargeable battery (EB1412S, EB1414S, EB1414, EB14B, EB1424, EB1426H, EB1430H, EB1430X, EB1433X)	Akkumulator (EB1412S, EB1414S, EB1414, EB14B, EB1424, EB1426H, EB1430H, EB1430X, EB1433X)	Batterie rechargeable (EB1412S, EB1414S, EB1414, EB14B, EB1424, EB1426H, EB1430H, EB1430X, EB1433X)
⑥	Rechargeable battery (BCL1415)	Akkumulator (BCL1415)	Batterie rechargeable (BCL1415)
⑦	Rechargeable battery (BCL1430, EBL1430)	Akkumulator (BCL1430, EBL1430)	Batterie rechargeable (BCL1430, EBL1430)
⑧	Rechargeable battery (EB1812S, EB18B, EB1820, EB1830H)	Akkumulator (EB1812S, EB18B, EB1820, EB1830H)	Batterie rechargeable (EB1812S, EB18B, EB1820, EB1830H)
⑨	Rechargeable battery (EB1814SL, EB1820L, EB1824L, EB1826HL, EB1830HL, EB1830X, EB1833X)	Akkumulator (EB1814SL, EB1820L, EB1824L, EB1826HL, EB1830HL, EB1830X, EB1833X)	Batterie rechargeable (EB1814SL, EB1820L, EB1824L, EB1826HL, EB1830HL, EB1830X, EB1833X)
⑩	Rechargeable battery (BCL1815)	Akkumulator (BCL1815)	Batterie rechargeable (BCL1815)
⑪	Rechargeable battery (EBM1830)	Akkumulator (EBM1830)	Batterie rechargeable (EBM1830)
⑫	Hole for connecting the rechargeable battery	Anschlußloch für Akkumulator	Orifice de raccordement de la batterie rechargeable
⑬	Pilot lamp	Kontrolllampe	Lampe témoin
⑭	Nameplate	Typenschild	Plaque signalétique

	Italiano	Nederlands	Español
①	Batteria ricaricabile (EB712S, EB7S, EB714S, FEB7S, EB7B)	Oplaadbare batterij (EB712S, EB7S, EB714S, FEB7S, EB7B)	Batería recargable (EB712S, EB7S, EB714S, FEB7S, EB7B)
②	Batteria ricaricabile (EB912S, EB9S, EB914S, EB914, FEB9S, EB9B, EB924, EB926H, EB930H, EB933X)	Oplaadbare batterij (EB912S, EB9S, EB914S, EB914, FEB9S, EB9B, EB924, EB926H, EB930H, EB933X)	Batería recargable (EB912S, EB9S, EB914S, EB914, FEB9S, EB9B, EB924, EB926H, EB930H, EB933X)
③	Batteria ricaricabile (EB12S, FEB12S, EB12B, EB1226H, EB1230H)	Oplaadbare batterij (EB12S, FEB12S, EB12B, EB1226H, EB1230H)	Batería recargable (EB12S, FEB12S, EB12B, EB1226H, EB1230H)
④	Batteria ricaricabile (EB1212S, EB1214S, EB1214L, EB1220BL, EB1224, EB1230HL, EB1230X, EB1233X)	Oplaadbare batterij (EB1212S, EB1214S, EB1214L, EB1220BL, EB1224, EB1230HL, EB1230X, EB1233X)	Batería recargable (EB1212S, EB1214S, EB1214L, EB1220BL, EB1224, EB1230HL, EB1230X, EB1233X)
⑤	Batteria ricaricabile (EB1412S, EB1414S, EB1414, EB14B, EB1424, EB1426H, EB1430H, EB1430X, EB1433X)	Oplaadbare batterij (EB1412S, EB1414S, EB1414, EB14B, EB1424, EB1426H, EB1430H, EB1430X, EB1433X)	Batería recargable (EB1412S, EB1414S, EB1414, EB14B, EB1424, EB1426H, EB1430H, EB1430X, EB1433X)
⑥	Batteria ricaricabile (BCL1415)	Oplaadbare batterij (BCL1415)	Batería recargable (BCL1415)
⑦	Batteria ricaricabile (BCL1430, EBL1430)	Oplaadbare batterij (BCL1430, EBL1430)	Batería recargable (BCL1430, EBL1430)
⑧	Batteria ricaricabile (EB1812S, EB18B, EB1820, EB1830H)	Oplaadbare batterij (EB1812S, EB18B, EB1820, EB1830H)	Batería recargable (EB1812S, EB18B, EB1820, EB1830H)
⑨	Batteria ricaricabile (EB1814SL, EB1820L, EB1824L, EB1826HL, EB1830HL, EB1830X, EB1833X)	Oplaadbare batterij (EB1814SL, EB1820L, EB1824L, EB1826HL, EB1830HL, EB1830X, EB1833X)	Batería recargable (EB1814SL, EB1820L, EB1824L, EB1826HL, EB1830HL, EB1830X, EB1833X)
⑩	Batteria ricaricabile (BCL1815)	Oplaadbare batterij (BCL1815)	Batería recargable (BCL1815)
⑪	Batteria ricaricabile (EBM1830)	Oplaadbare batterij (EBM1830)	Batería recargable (EBM1830)
⑫	Foro di collegamento della batteria ricaricabile	Aansluiting voor oplaadbare batterij	Agujero para conectar la batería recargable
⑬	Spia	Controlelampje	Lámpara piloto
⑭	Etichetta del nome	Naamplaatje	Placa de características

	Português	Ελληνικά	Svenska
①	Bateria recarregável (EB712S, EB7S, EB714S, FEB7S, EB7B)	Επαναφορτιζόμενη μπαταρία (EB712S, EB7S, EB714S, FEB7S, EB7B)	Uppladdningsbart batteri (EB712S, EB7S, EB714S, FEB7S, EB7B)
②	Rechargeable battery (EB912S, EB9S, EB914S ,EB914, FEB9S, EB9B, EB924, EB926H, EB930H, EB933X)	Akkumulator (EB912S, EB9S, EB914S ,EB914, FEB9S, EB9B, EB924, EB926H, EB930H, EB933X)	Uppladdningsbart batteri (EB912S, EB9S, EB914S ,EB914, FEB9S, EB9B, EB924, EB926H, EB930H, EB933X)
③	Rechargeable battery (EB12S, FEB12S, EB12B, EB1226H, EB1230H)	Akkumulator (EB12S, FEB12S, EB12B, EB1226H, EB1230H)	Uppladdningsbart batteri (EB12S, FEB12S, EB12B, EB1226H, EB1230H)
④	Rechargeable battery (EB1212S, EB1214S, EB1214L, EB1220BL, EB1224, EB1230HL, EB1230X, EB1233X)	Akkumulator (EB1212S, EB1214S, EB1214L, EB1220BL, EB1224, EB1230HL, EB1230X, EB1233X)	Uppladdningsbart batteri (EB1212S, EB1214S, EB1214L, EB1220BL, EB1224, EB1230HL, EB1230X, EB1233X)
⑤	Rechargeable battery (EB1412S, EB1414S, EB1414, EB14B, EB1424, EB1426H, EB1430H, EB1430X, EB1433X)	Akkumulator (EB1412S, EB1414S, EB1414, EB14B, EB1424, EB1426H, EB1430H, EB1430X, EB1433X)	Uppladdningsbart batteri (EB1412S, EB1414S, EB1414, EB14B, EB1424, EB1426H, EB1430H, EB1430X, EB1433X)
⑥	Bateria recarregável (BCL1415)	Επαναφορτιζόμενη μπαταρία (BCL1415)	Uppladdningsbart batteri (BCL1415)
⑦	Rechargeable battery (BCL1430, EBL1430)	Akkumulator (BCL1430, EBL1430)	Uppladdningsbart batteri (BCL1430, EBL1430)
⑧	Rechargeable battery (EB1812S, EB18B, EB1820, EB1830H)	Akkumulator (EB1812S, EB18B, EB1820, EB1830H)	Uppladdningsbart batteri (EB1812S, EB18B, EB1820, EB1830H)
⑨	Rechargeable battery (EB1814SL, EB1820L, EB1824L, EB1826HL, EB1830HL, EB1830X, EB1833X)	Akkumulator (EB1814SL, EB1820L, EB1824L, EB1826HL, EB1830HL, EB1830X, EB1833X)	Uppladdningsbart batteri (EB1814SL, EB1820L, EB1824L, EB1826HL, EB1830HL, EB1830X, EB1833X)
⑩	Bateria recarregável (BLC1815)	Επαναφορτιζόμενη μπαταρία (BLC1815)	Uppladdningsbart batteri (BLC1815)
⑪	Rechargeable battery (EBM1830)	Akkumulator (EBM1830)	Uppladdningsbart batteri (EBM1830)
⑫	Orifício para conectar a bateria recarregável	Τρύπα για την σύνδεση της επαναφορτιζόμενης μπαταρίας	Hål för iläggning av det uppladdningsbara batteriet
⑬	Lâmpada piloto	Δοκιμαστική λάμπα	Kontrollampa
⑭	Placa de identificação	Πινακίδα χαρακτηριστικών	Namnplåt

	Dansk	Norsk	Suomi
①	Genopladeligt batteri (EB712S, EB7S, EB714S, FEB7S, EB7B)	Oppladbart batteri (EB712S, EB7S, EB714S, FEB7S, EB7B)	Ladattava paristo (EB712S, EB7S, EB714S, FEB7S, EB7B)
②	Genopladeligt batteri (EB912S, EB9S, EB914S ,EB914, FEB9S, EB9B, EB924, EB926H, EB930H, EB933X)	Oppladbart batteri (EB912S, EB9S, EB914S ,EB914, FEB9S, EB9B, EB924, EB926H, EB930H, EB933X)	Ladattava paristo (EB912S, EB9S, EB914S ,EB914, FEB9S, EB9B, EB924, EB926H, EB930H, EB933X)
③	Genopladeligt batteri (EB12S, FEB12S, EB12B, EB1226H, EB1230H)	Oppladbart batteri (EB12S, FEB12S, EB12B, EB1226H, EB1230H)	Ladattava paristo (EB12S, FEB12S, EB12B, EB1226H, EB1230H)
④	Genopladeligt batteri (EB1212S, EB1214S, EB1214L, EB1220BL, EB1224, EB1230HL, EB1230X, EB1233X)	Oppladbart batteri (EB1212S, EB1214S, EB1214L, EB1220BL, EB1224, EB1230HL, EB1230X, EB1233X)	Ladattava paristo (EB1212S, EB1214S, EB1214L, EB1220BL, EB1224, EB1230HL, EB1230X, EB1233X)
⑤	Genopladeligt batteri (EB1412S, EB1414S, EB1414, EB14B, EB1424, EB1426H, EB1430H, EB1430X, EB1433X)	Oppladbart batteri (EB1412S, EB1414S, EB1414, EB14B, EB1424, EB1426H, EB1430H, EB1430X, EB1433X)	Ladattava paristo (EB1412S, EB1414S, EB1414, EB14B, EB1424, EB1426H, EB1430H, EB1430X, EB1433X)
⑥	Genopladeligt batteri (BCL1415)	Oppladbart batteri (BCL1415)	Ladattava paristo (BCL1415)
⑦	Genopladeligt batteri (BCL1430, EBL1430)	Oppladbart batteri (BCL1430, EBL1430)	Ladattava paristo (BCL1430, EBL1430)
⑧	Genopladeligt batteri (EB1812S, EB18B, EB1820, EB1830H)	Oppladbart batteri (EB1812S, EB18B, EB1820, EB1830H)	Ladattava paristo (EB1812S, EB18B, EB1820, EB1830H)
⑨	Genopladeligt batteri (EB1814SL, EB1820L, EB1824L, EB1826HL, EB1830HL, EB1830X, EB1833X)	Oppladbart batteri (EB1814SL, EB1820L, EB1824L, EB1826HL, EB1830HL, EB1830X, EB1833X)	Ladattava paristo (EB1814SL, EB1820L, EB1824L, EB1826HL, EB1830HL, EB1830X, EB1833X)
⑩	Genopladeligt batteri (BCL1815)	Oppladbart batteri (BCL1815)	Ladattava paristo (BCL1815)
⑪	Genopladeligt batteri (EBM1830)	Oppladbart batteri (EBM1830)	Ladattava paristo (EBM1830)
⑫	Hul til tilslutning af det opladelige batteri	Hull for tilkopling av det oppladbare batteriet	Ladattavan pariston liitäntäukko
⑬	Kontrollampe	Pilot-lys	Merkkivalo
⑭	Mærkeplade	Navneplate	Nimilaata

	<p><b>Symbols</b>  <b>⚠ WARNING</b>  The following show symbols used for the machine. Be sure that you understand their meaning before use.</p>	<p><b>Symbole</b>  <b>⚠ WARNING</b>  Die folgenden Symbole werden für diese Maschine verwendet. Achten Sie darauf, diese vor der Verwendung zu verstehen.</p>	<p><b>Symboles</b>  <b>⚠ AVERTISSEMENT</b>  Les symboles suivants sont utilisés pour l'outil. Bien se familiariser avec leur signification avant d'utiliser l'outil.</p>	<p><b>Simboli</b>  <b>⚠ AVVERTENZA</b>  Di seguito mostriamo i simboli usati per la macchina. Assicurarsi di comprenderne il significato prima dell'uso.</p>
	<p><b>Read all safety warnings and all instructions.</b>  Failure to follow the warnings and instructions may result in electric shock, fire and/or serious injury.</p>	<p><b>Lesen Sie sämtliche Sicherheitshinweise und Anweisungen durch.</b>  Wenn die Warnungen und Anweisungen nicht befolgt werden, kann es zu Stromschlag, Brand und/oder ernsthaften Verletzungen kommen.</p>	<p><b>Lire tous les avertissements de sécurité et toutes les instructions.</b>  Tout manquement à observer ces avertissements et instructions peut engendrer des chocs électriques, des incendies et/ou des blessures graves.</p>	<p><b>Leggere tutti gli avvertimenti di sicurezza e tutte le istruzioni.</b>  La mancata osservanza degli avvertimenti e delle istruzioni potrebbe essere causa di scosse elettriche, incendi e/o gravi lesioni.</p>
	<p>Only for EU countries  Do not dispose of electric tools together with household waste material!  In observance of European Directive 2002/96/EC on waste electrical and electronic equipment and its implementation in accordance with national law, electric tools that have reached the end of their life must be collected separately and returned to an environmentally compatible recycling facility.</p>	<p>Nur für EU-Länder  Werfen Sie Elektrowerkzeuge nicht in den Hausmüll!  Gemäss Europäischer Richtlinie 2002/96/EG über Elektro- und Elektronik-Altgeräte und Umsetzung in nationales Recht müssen verbrauchte Elektrowerkzeuge getrennt gesammelt und einer umweltgerechten Wiederverwertung zugeführt werden.</p>	<p>Pour les pays européens uniquement  Ne pas jeter les appareils électriques dans les ordures ménagères!  Conformément à la directive européenne 2002/96/EG relative aux déchets d'équipements électriques ou électroniques (DEEE), et à sa transposition dans la législation nationale, les appareils électriques doivent être collectés à part et être soumis à un recyclage respectueux de l'environnement.</p>	<p>Solo per Paesi UE  Non gettare le apparecchiature elettriche tra i rifiuti domestici.  Secondo la Direttiva Europea 2002/96/CE sui rifiuti di apparecchiature elettriche ed elettroniche e la sua attuazione in conformità alle norme nazionali, le apparecchiature elettriche esauste devono essere raccolte separatamente, al fine di essere reimpiagate in modo eco-compatibile.</p>
	<p><b>Symolen</b>  <b>⚠ WAARSCHUWING</b>  Hieronder staan symbolen afgebeeld die van toepassing zijn op deze machine. U moet de betekenis hiervan begrijpen voor gebruik.</p>	<p><b>Símbolos</b>  <b>⚠ ADVERTENCIA</b>  A continuación se muestran los símbolos usados para la máquina. Asegúrese de comprender su significado antes del uso.</p>	<p><b>Símbolos</b>  <b>⚠ AVISO</b>  A seguir aparecem os símbolos utilizados pela máquina. Assimile bem seus significados antes do uso.</p>	<p><b>Σύμβολα</b>  <b>⚠ ΠΡΟΣΟΧΗ</b>  Τα παρακάτω δείχνουν τα σύμβολα που χρησιμοποιούνται στο μηχάνημα. Βεβαιωθείτε ότι κατανοείτε τη σημασία τους πριν τη χρήση.</p>
	<p><b>Lees alle waarschuwingen en instructies aandachtig door.</b>  Nalating om de waarschuwingen en instructies op te volgen kan in een elektrische schok, brand en/of ernstig letsel resulteren.</p>	<p><b>Lea todas las instrucciones y advertencias de seguridad.</b>  Si no se siguen las advertencias e instrucciones, podría producirse una descarga eléctrica, un incendio y/o daños graves.</p>	<p><b>Leia todas as instruções e avisos de segurança.</b>  Se não seguir todas as instruções e os avisos, pode provocar um choque eléctrico, incêndio e/ou ferimentos graves.</p>	<p><b>Διαβάξτε όλες τις προειδοποιήσεις ασφαλείας και όλες τις οδηγίες.</b>  Η μη τήρηση των προειδοποιήσεων και οδηγιών μπορεί να προκαλέσει ηλεκτροπληξία, πυρκαγιά και/ή σοβαρό τραυματισμό.</p>
	<p>Alleen voor EU-landen  Geef elektrisch gereedschap niet met het huisvuil mee!  Volgens de Europese richtlijn 2002/96/EG inzake oude elektrische en elektronische apparaten en de toepassing daarvan binnen de nationale wetgeving, dient gebruikt elektrisch gereedschap gescheiden te worden ingezameld en te worden afgevoerd naar een recycle bedrijf dat voldoet aan de geldende milieu-eisen.</p>	<p>Sólo para países de la Unión Europea  ¡No deseché los aparatos eléctricos junto con los residuos domésticos!  De conformidad con la Directiva Europea 2002/96/CE sobre residuos de aparatos eléctricos y electrónicos y su aplicación de acuerdo con la legislación nacional, las herramientas eléctricas cuya vida útil haya llegado a su fin se deberán recoger por separado y trasladar a una planta de reciclaje que cumpla con las exigencias ecológicas.</p>	<p>Apenas para países da UE  Não deite ferramentas eléctricas no lixo doméstico!  De acordo com a directiva europeia 2002/96/CE sobre ferramentas eléctricas e electrónicas usadas e a transposição para as leis nacionais, as ferramentas eléctricas usadas devem ser recolhidas em separado e encaminhadas a uma instalação de reciclagem dos materiais ecológica.</p>	<p>Mόνο για τις χώρες της ΕΕ  Μην πετάτε τα ηλεκτρικά εργαλεία στον κάδο οικιακών απορριμμάτων!  Σύμφωνα με την ευρωπαϊκή οδηγία 2002/96/ΕΚ περί ηλεκτρικών και ηλεκτρονικών συσκευών και την ενσωμάτωσή της στο εθνικό δίκαιο, τα ηλεκτρικά εργαλεία πρέπει να συλλέγονται ξεχωριστά και να επιστρέφονται για ανακύκλωση με τρόπο φιλικό προς το περιβάλλον.</p>

	<b>Symboler</b>  <b>VARNING</b> Nedan visas de symboler som används för maskinen. Se till att du förstår vad de betyder innan verktyget används.	<b>Symboler</b>  <b>ADVARSEL</b> Det følgende viser symboler, som anvendes for maskinen. Vær sikker på, at du forstår deres betydning, inden du begynder at bruge maskinen.	<b>Symboler</b>  <b>ADVARSEL</b> Følgende symboler brukes for maskinen. Sørg for å forstå betydningen av disse symbolene før maskinen tas i bruk.	<b>Symbolit</b>  <b>VAROITUS</b> Seuraavassa on näytetty koneessa käytetty symbolit. Varmista, että ymmärrät niiden merkityksen ennen kuin aloitat koneen käytön.
	<b>Läs alla säkerhetsvarningar och alla instruktioner.</b> Underlåtenhet att följa varningarna och instruktionerna nedan kan resultera i elstötar, brand och/eller allvarliga skador.	<b>Læs alle sikkerhedsadvarsler og instruktioner.</b> Det kan medføre elektrisk stød, brand og/eller alvorlig personskade, hvis alle advarslerne og instruktionerne nedenfor ikke overholdes.	<b>Les alle advarsler og sikkerhetsinstruksjoner.</b> Hvis du ikke følger alle advarsler og instruksjoner kan bruk av utstyret resultere i elektrisk støt, brann og/eller alvorlig personskade.	<b>Lue kaikki turvallisuutta koskevat varoitukset ja kaikki ohjeet.</b> Jos varoituksia ja ohjeita ei noudateta, on olemassa sähköiskun, tulipalon ja/tai vakavan henkilövahingon vaara.
	Gäller endast EU-länder Elektriska verktyg får inte kastas i hushållssoporna! Enligt direktivet 2002/96/EG som avser äldre elektrisk och elektronisk utrustning och dess tillämpning enligt nationell lagstiftning ska uttjänta elektriska verktyg sorteras separat och lämnas till miljövänlig återvinning.	Kun for EU-lande Elværktøj må ikke bortskaffes som almindeligt affald! I henhold til det europæiske direktiv 2002/96/EF om bortskaffelse af elektriske og elektroniske produkter og gældende national lovgivning skal brugt elværktøj indsamles separat og bortskaffes på en måde, der skåner miljøet mest muligt.	Kun for EU-land Kast aldri elektroverktøy i husholdningsavfallet! I henhold til EU-direktiv 2002/96/EF om kasserte elektriske og elektroniske produkter og direktivets iverksetting i nasjonal rett, må elektroverktøy som ikke lenger skal brukes, samles separat og returneres til et miljøvennlig gjenvinningsanlegg.	Koskee vain EU-maita Älä hävitä sähkötyökalua tavallisen kotitalousjätteen mukana! Vanhoja sähkö- ja elektroniikkalaitteita koskevan EU-direktiivin 2002/96/ETY ja sen maakohtaisten sovellusten mukaisesti käytetyt sähkötyökalut on toimitettava ongelmajätteen keräyspisteeseen ja ohjattava ympäristöstävälliseen kierrätykseen.



## GENERAL OPERATIONAL PRECAUTIONS

1. Keep work area clean. Cluttered areas and benches invite accidents.
2. Avoid dangerous environment. Don't expose power tools and charger to rain. Don't use power tools and charger in damp or wet locations. And keep work area well lit.  
Never use power tools and charger near flammable or explosive materials.  
Do not use tool and charger in presence of flammable liquids or gases.
3. The appliance is not intended for use by young children or infirm persons without supervision. Young children should be supervised to ensure that they do not play with the appliance. All visitors should be kept safe distance from work area.
4. Store idle tools and charger. When not in use, tools and charger should be stored in dry, high or locked-up place — out of reach of children. Store tools and charger in a place in which the temperature is less than 40°C.
5. Don't abuse cord. Never carry charger by cord or yank it to disconnect from receptacle. Keep cord from heat, oil and sharp edges.
6. When the charger is not in use or when being maintained and inspected, disconnect the power cord of the charger from the receptacle.
7. To avoid danger, always use only the specified charger.
8. Use only genuine HITACHI replacement parts.
9. Do not use power tools and charger for applications other than those specified in the Handling Instructions.
10. To avoid personal injury, use only the accessories or attachment recommended in these handling instructions or in the HITACHI catalog.
11. If the supply cord is damaged, it must be replaced by the manufacture or its service agent or a similarly qualified person in order to avoid a hazard.  
Let only the authorized service center do the repairing. The Manufacture will not be responsible for any damages or injuries caused by repair by the unauthorized persons or by mishandling of the tool.
12. To ensure the designed operational integrity of power tools and charger, do not remove installed covers or screws.
13. Always use the charger at the voltage specified on the nameplate.
14. Always charge the battery before use.
15. Never use a battery other than that specified. Do not connect a usual dry cell, a rechargeable battery other than that specified or a car battery to the power tool.
16. Do not use a transformer containing a booster.
17. Do not charge the battery from an engine electric generator or DC power supply.
18. Always charge indoors. Because the charger and battery heat slightly during charging, charge the battery in a place not exposed to direct sunlight; where the humidity is low and the ventilation is good.
19. Use the exploded assembly drawing on this handling instructions only for authorized servicing.

## PRECAUTIONS FOR CHARGER

1. Always charge the battery at an ambient temperature of 0–40°C. A temperature of less than 0°C will result in over charging which is dangerous. The battery cannot be charged at a temperature greater than 40°C.  
The most suitable temperature for charging is that of 20–25°C.
2. Do not use the charger continuously.  
When one charging is completed, leave the charger for about 15 minutes before the next charging of battery.
3. Do not allow foreign matter to enter the hole for connecting the rechargeable battery.
4. Never disassemble the rechargeable battery or charger.
5. Never short-circuit the rechargeable battery.  
Short-circuiting the battery will cause a great electric current and overheat. It results in burn or damage to the battery.
6. Do not dispose of the battery in fire.  
If the battery is burnt, it may explode.
7. Using an exhausted battery will damage the charger.
8. Bring the battery to the shop from which it was purchased as soon as the post-charging battery life becomes too short for practical use. Do not dispose of the exhausted battery.
9. Do not insert objects into the air ventilation slots of the charger.  
Inserting metal objects or flammable into the charger air ventilation slots will result in an electrical shock hazard or damage to the charger.



Table 2

Rechargeable batteries	Temperatures at which the battery can be recharged
EB712S, EB7S, EB714S, FEB7S, EB7B, EB912S, EB9S, EB914S, EB914, FEB9S, EB9B, EB924, EB1212S, EB12S, EB1214S, EB1214L, FEB12S, EB12B, EB1220BL, EB1224, EB1412S, EB1414S, EB1414, EB14B, EB1424, EB1812S, EB1814SL, EB18B EB1820, EB1820L, EB1824L	-5°C — 55°C
EB926H, EB930H, EB933X, EB1226H, EB1230H, EB1230HL, EB1230X, EB1233X, EB1426H, EB1430H, EB1430X, EB1433X, EB1826HL, EB1830H, EB1830HL, EB1830X, EB1833X	-5°C — 50°C
BCL1415, BCL1430, EBL1430, BCL1815, EBM1830	0°C — 50°C

(3) Regarding recharging time

Table 3 shows the recharging time required according to the type of battery.

Table 3 Recharging time (approx. min.) at 20°C

Battery Voltage (V)	Battery capacity (Ah)											
	Ni-Cd BATTERY						Ni-MH BATTERY					
	1.2-1.4 Ah		2.0 Ah		2.4 Ah		2.6 Ah		3.0 Ah		3.3 Ah	
7.2V	EB712S EB7S EB714S FEB7S (6 cells)	35min.	EB7B (6 cells)	60min.	—	—	—	—	—	—	—	
9.6V	EB912S EB914S EB9S EB914 FEB9S (8 cells)	35min.	EB9B (8 cells)	60min.	EB924 (8 cells)	70min.	EB926H (8 cells)	80min.	EB930H (8 cells)	90min.	EB933X (8 cells)	90min.
12V	EB12S EB1212S EB1214S EB1214L FEB12S (10 cells)	35min.	EB12B EB1220BL (10 cells)	60min.	EB1224 (10 cells)	70min.	EB1226H (10 cells)	80min.	EB1230H EB1230HL EB1230X (10 cells)	90min.	EB1233X (10 cells)	90min.
14.4V	EB1412S EB1414S EB1414 (12 cells)	35min.	EB14B (12 cells)	60min.	EB1424 (12 cells)	70min.	EB1426H (12 cells)	80min.	EB1430H EB1430X (12 cells)	90min.	EB1433X (12 cells)	90min.
18V	EB1812S EB1814SL (15 cells)	35min.	EB18B EB1820L EB1820 (15 cells)	60min.	EB1824L (15 cells)	70min.	EB1826HL (15 cells)	80min.	EB1830H EB1830HL EB1830X (15 cells)	90min.	EB1833X (15 cells)	90min.

Battery Voltage (V)	Battery capacity (Ah)			
	Li-ion BATTERY			
	1.5 Ah		3.0 Ah	
14.4V	BCL1415 (4 cells)	40min.	BCL1430 (8 cells) EBL1430 (4 cells)	90min.
18V	BCL1815 (5 cells)	40min.	EBM1830 (10 cells)	90min.

NOTE: The recharging time may vary according to the ambient temperature.

4. **Disconnect the charger's power cord from the receptacle.**
5. **Hold the charger firmly and pull out the battery.**

#### NOTE

Be sure to pull out the battery from the charger after use, and then keep it.

#### Regarding electric discharge in case of new batteries, etc.

As the internal chemical substance of new batteries and batteries that have not been used for an extended period is not activated, the electric discharge might be low when using them the first and second time. This is a temporary phenomenon, and normal time required for recharging will be restored by recharging the batteries 2-3 times.

#### How to make the batteries perform longer.

- (1) Recharge the batteries before they become completely exhausted.

When you feel that the power of the tool becomes weaker, stop using the tool and recharge its battery. If you continue to use the tool and exhaust the electric current, the battery may be damaged and its life will become shorter.

- (2) Avoid recharging at high temperatures.

A rechargeable battery will be hot immediately after use. If such a battery is recharged immediately after use, its internal chemical substance will deteriorate, and the battery life will be shortened. Leave the battery and recharge it after it has cooled for a while.

#### CAUTION

- If the battery is charged while it is heated because it has been left for a long time in a location subject to direct sunlight or because the battery has just been used, the pilot lamp of the charger lights for 1 second, does not light for 0.5 seconds (off for 0.5 seconds). In such a case, first let the battery cool, then start charging.
- Since the built-in micro computer takes about 3 seconds to confirm that the battery being charged with UC18YGL2 is taken out, wait for a minimum of 3 seconds before reinserting it to continue charging. If the battery is reinserted within 3 seconds, the battery may not be properly charged.

## MAINTENANCE AND INSPECTION

### 1. Inspecting the mounting screws:

Regularly inspect all mounting screws and ensure that they are properly tightened. Should any of the screws be loose, retighten them immediately. Failure to do so could result in serious hazard.

### 2. Cleaning of the charger

When the charger is stained, wipe with a soft dry cloth or a cloth moistened with soapy water. Do not use chloric solvents, gasoline or paint thinner, for they melt plastics.

### 3. Store idle charger

When not in use, the charger should be stored in dry, high or locked-up place — out of reach of children.

### 4. Service parts list

- A: Item No.
- B: Code No.
- C: No. Used
- D: Remarks

#### CAUTION

Repair, modification and inspection of Hitachi Power Tools must be carried out by a Hitachi Authorized Service Center. This Parts List will be helpful if presented with the tool to the Hitachi Authorized Service Center when requesting repair or other maintenance. In the operation and maintenance of power tools, the safety regulations and standards prescribed in each country must be observed.

#### MODIFICATIONS

Hitachi Power Tools are constantly being improved and modified to incorporate the latest technological advancements. Accordingly, some parts (i.e. code numbers and/or design) may be changed without prior notice.

#### NOTE

Due to HITACHI's continuing program of research and development, the specifications herein are subject to change without prior notice.

**ALLGEMEINE VORSICHTSMASSNAHMEN**

1. Den Arbeitsplatz stets sauber halten. Unordentliche Arbeitsplätze und Werkbänke erhöhen die Unfallgefahr.
2. Gefährliche Umgebungen vermeiden. Das Werkzeug und das Ladegerät nicht dem Regen aussetzen. Das Werkzeug und das Ladegerät nicht an feuchten oder naßen Stellen gebrauchen. Und den Arbeitsbereich gut beleuchten. Elektrowerkzeuge und Ladegerät niemals in der Nähe von brennbaren oder explosiven Materialien verwenden. Werkzeuge und Ladegerät niemals in der Anwesenheit von entflammaren Flüssigkeiten oder Gasen verwenden.
3. Das Gerät ist nicht für Verwendung durch Kinder oder gebrechliche Personen ohne Aufsicht gedacht. Kinder sollten beaufsichtigt werden, um sicherzustellen, dass sie nicht mit dem Gerät spielen. Alle Besucher sollten in sicherer Entfernung vom Arbeitsbereich gehalten werden.
4. Unbenutzte Werkzeuge und Ladegerät wegräumen. Wenn nicht gebraucht, sollten die Werkzeuge an einer trockenen und hochgelegenen Stelle oder unter Verschluss außerhalb der Reichweite von Kindern aufbewahrt werden. Werkzeugen und Ladegerät dort lagern, wo die Temperatur weniger als 40°C beträgt.
5. Das Kabel nicht mißbrauchen. Tragen Sie niemals das Ladegerät am Kabel und ziehen Sie sie nicht am Kabel, um den Stecker von der Steckdose abzutrennen. Das Kabel gegen Hitze, Öl und scharfe Kanten schützen.
6. Wenn das Ladegerät nicht gebraucht wird oder einer Prüfung und Instandhaltung unterzogen wird trennen Sie das Kabel des Ladegerätes vom Wechselstromausgang.
7. Immer das vorgeschriebene Ladegerät verwenden. Niemals ein anderes Ladegerät verwenden um Gefahr zu vermeiden.
8. Nur Original-HITACHI-Ersatzteile verwenden.
9. Das Werkzeug und Ladegerät nicht für eine Verwendung die nicht in der Gerächanweisung vorgeschrieben ist gebrauchen.
10. Die Benutzung von Zubehör und Sonderzubehör, die nicht im HITACHI-Katalog oder in der Bedienungsanleitung aufgeführt sind, erhöhen das Risiko von Verletzungen.
11. Falls das mitgelieferte Kabel beschädigt wird, muss es durch den Hersteller, seinen Kundendienstvertreter oder eine ähnlich qualifizierte Person ausgewechselt werden, um Gefahren zu vermeiden. Die Reparaturen sollten nur in autorisierten Service-Werkstätten durchgeführt werden. Der Hersteller ist nicht für irgendwelche Schäden und Unfälle verantwortlich, die durch unautorisierte Fachkräfte verursacht werden, ebenso der Mißbrauch von Werkzeugen.

12. Um die vorgesehene Vollständigkeit des Werkzeuges und Ladegeräts zu sichern entfernen Sie nicht die angebrachten Abdeckungen und Schrauben.
13. Immer das Ladegerät mit der auf dem Typenschild vordeschriebenen Spannung gebrauchen.
14. Immer vor der Benutzung die Batterie laden.
15. Nur die vorgeschriebene Batterie verwenden. Keine gewöhnliche Trockenbatterie oder Auto-Batterie, die nicht vorgeschrieben wurden für das Elektro-Werkzeug verwenden.
16. Keinen Transformator mit Puffersatz verwenden.
17. Die Batterie nicht an einem elektrischen Generator oder einer Gleichstromversorgung ausladen.
18. Immer die Batterie drinnen aufladen. Da das Ladegerät und di Batterie sich beim Laden sich erhitzen, an einem Ort der nicht an direkten Sonnenstrahlen ausgesetzt ist und wo niedrige Feuchtigkeit besteht laden.
19. Die Explosionszeichnung die der Bedienungsanleitung beigelegt ist, ist nur für autorisierte Service-Werkstätten bestimmt.

**VORSICHTSMASSNAHMEN BEI BENUTZUNG DES LADEGERÄTES**

1. Die Batterie immer bei einer Temperatur von 0–40°C laden. Laden bei einer Temperatur, die niedriger als 0°C ist, wird gefährliche Überladung verursachen. Die Batterie kann nicht bei einer Temperatur über 40°C geladen werden. Die beste Temperatur zum Laden wäre von 20–25°C.
2. Das Ladegerät nicht fortlaufend laden. Nach Beendung einer Ladung lassen Sie das Ladegerät ungefähr 15 Minuten ruhen, bevor die nächste Batterieladung unternommen wird.
3. Keine Fremdkörper durch das Anschlußloch der Batterie eindringen lassen.
4. Niemals die Batterie und das Ladegerät auseinandernehmen.
5. Niemals die Batterie kurzschließen. Kurzschluß der Batterie verursacht eine zu große Stromzufuhr und Überhitzung, wodurch Durchbrennen oder Schaden bei der Batterie entsteht.
6. Die Batterie nicht ins Feuer werfen. Sie könnte dabei explodieren.
7. Benutzung einer verbrauchten Batterie beschädigt den Auflader.
8. Bringen Sie die Batterie zum Geschäft, wo Sie sie gekauft haben, sobald die Lebensdauer der Batterie abrinnt. Die verbrauchte Batterie nicht wegwerfen.
9. Darauf achten, daß keine Gegenstände durch Belüftungsschlitze des Aufladers in das Gerät eindringen. Wenn Metallobjekte oder entzündliche Gegenstände durch die Belüftungsschlitze des Aufladers eindringen, kann dies zu elektrischen Schlägen führen oder den Auflader beschädigen.

**TECHNISCHE DATEN**

**LADEGERÄT**

Ladedauer	Ungefähr 35 – 90 Minuten
Ladespannung	7,2 – 18 V
Gewicht	0,4 kg

**VERWENDUNG**

Für Ladung des Hitachi Akkumulators

- EB712S, EB7S, EB714S, FEB7S, EB7B, EB912S, EB9S, EB914S, EB914, FEB9S, EB9B, EB924, EB926H, EB930H, EB933X, EB1212S, EB12S, EB1214S, EB1214L, FEB12S, EB12B, EB1220BL, EB1224, EB1226H, EB1230H, EB1230HL, EB1230X, EB1233X EB1412S, EB1414S, EB1414, EB14B, EB1424, EB1426H, EB1430H, EB1430X, EB1433X, BCL1415, BCL1430, EBL1430, EB1812S, EB1814SL, EB18B EB1820, EB1820L, EB1824L, EB1826HL, EB1830H, EB1830HL, EB1830X, EB1833X, BCL1815, EBM1830

**LADEN**

Vor Gebrauch des Akku-Werkzeugs, den Akkumulator wie folgt laden.

**1. Den Netzstecker des Ladegerätes in eine Steckdose einstecken.**

Beim Anschluss des Ladegeräts an eine Netzsteckdose blinkt die Kontrolllampe rot auf (in Sekundenabständen).

**2. Eine Batterie in das Ladegerät einlegen.**

Die Batterie in das Ladegerät stecken, bis sie den Boden berührt und sicherstellen, daß die Polarität richtig ist, wie in **Abb. 1** gezeigt.

**VORSICHT:**

- Die Batterien müssen richtig herum eingelegt werden, andernfalls ist das Wiederaufladen der Batterien nicht möglich. Darüber hinaus können hierdurch auch andere Probleme auftreten, wie z. B. eine Deformierung des Anschlusses am Wiederaufladegerät.

**3. Laden**

Beim Einlegen einer Batterie in das Ladegerät leuchtet die Kontrolllampe kontinuierlich rot auf. Wenn die Batterie voll aufgeladen ist, blinkt die Kontrolllampe in rot (in Sekundenabständen). (Siehe **Tafel 1**)

**(1) Anzeige der Kontrolllampe**

Die Anzeigen der Kontrolllampe leuchten gemäß den Beschreibungen in **Tabelle 1** auf, entsprechend dem Zustand des verwendeten Ladegeräts oder der Akkubatterie.

**Tafel 1**

Anzeigen der Kontrolllampe				
Kontrolllampe (rot)	Vor dem Laden	Blinkt	Leuchtet für 0,5 Sekunden. Erlöscht für 0,5 Sekunden.	/
	Beim Laden	Leuchtet	Leuchtet kontinuierlich	
	Laden durchgeführt	Blinkt	Leuchtet für 0,5 Sekunden. Erlöscht für 0,5 Sekunden.	
	Wegen Überhitzung angehalten	Blinkt	Leuchtet für 1 Sekunden. Erlöscht für 0,5 Sekunden.	

**(2) Über die Temperatur der Akkubatterie**

Die Temperatur von Akkubatterien ist wie in der folgenden Abbildung gezeigt, und Batterien, die sich zu stark erhitzt haben, sollten sich vor dem Aufladen etwas abkühlen.

**Tafel 2**

Akkubatterien	Temperaturen, bei denen die Batterie geladen werden kann
EB712S, EB7S, EB714S, FEB7S, EB7B, EB912S, EB9S, EB914S, EB914, FEB9S, EB9B, EB924, EB1212S, EB12S, EB1214S, EB1214L, FEB12S, EB12B, EB1220BL, EB1224, EB1412S, EB1414S, EB1414, EB14B, EB1424, EB1812S, EB1814SL, EB18B EB1820, EB1820L, EB1824L	-5°C – 55°C
EB926H, EB930H, EB933X, EB1226H, EB1230H, EB1230HL, EB1230X, EB1233X, EB1426H, EB1430H, EB1430X, EB1433X, EB1826HL, EB1830H, EB1830HL, EB1830X, EB1833X	-5°C — 50°C
BCL1415, BCL1430, EBL1430, BCL1815, EBM1830	0°C — 50°C

(3) Über die Aufladezeit

**Tafel 3** Zeigt die erforderliche Ladezeit entsprechend dem Batterietyp

**Tafel 3 Aufladezeit (etwa. min.) bei 20°C**

Batteriespannung (V)		Batteriekapazität (Ah)										
		Ni-Cd BATTERIE					Ni-MH BATTERIE					
		1,2-1,4 Ah		2,0 Ah		2,4 Ah		2,6 Ah		3,0 Ah		3,3 Ah
7,2V	EB712S EB7S EB714S FEB7S (6 zellen)	35min.	EB7B (6 zellen)	60min.	—	—	—	—	—	—	—	
9,6V	EB912S EB914S EB9S EB914 FEB9S (8 zellen)	35min.	EB9B (8 zellen)	60min.	EB924 (8 zellen)	70min.	EB926H (8 zellen)	80min.	EB930H (8 zellen)	90min.	EB933X (8 zellen)	90min.
12V	EB12S EB1212S EB1214S EB1214L FEB12S (10 zellen)	35min.	EB12B EB1220BL (10 zellen)	60min.	EB1224 (10 zellen)	70min.	EB1226H (10 zellen)	80min.	EB1230H EB1230HL EB1230X (10 zellen)	90min.	EB1233X (10 zellen)	90min.
14,4V	EB1412S EB1414S EB1414 (12 zellen)	35min.	EB14B (12 zellen)	60min.	EB1424 (12 zellen)	70min.	EB1426H (12 zellen)	80min.	EB1430H EB1430X (12 zellen)	90min.	EB1433X (12 zellen)	90min.
18V	EB1812S EB1814SL (15 zellen)	35min.	EB18B EB1820L EB1820 (15 zellen)	60min.	EB1824L (15 zellen)	70min.	EB1826HL (15 zellen)	80min.	EB1830H EB1830HL EB1830X (15 zellen)	90min.	EB1833X (15 zellen)	90min.

Batteriespannung (V)		Batteriekapazität (Ah)		
		Li-ion BATTERIE		
		1,5 Ah		3,0 Ah
14,4V	BCL1415 (4 zellen)	40min.	BCL1430 (8 zellen) EBL1430 (4 zellen)	90min.
18V	BCL1815 (5 zellen)	40min.	EBM1830 (10 zellen)	90min.

**HINWEIS:** Die Aufladezeit kann je nach Umgebungstemperatur unterschiedlich sein.

**4. Den Netzstecker des Ladegeräts aus der Steckdose ziehen.**

**5. Das Ladegerät festhalten und die Batterie herausziehen.**

**HINWEIS**

Achten Sie darauf, die Batterie nach der Verwendung aus dem Ladegerät zu nehmen und sie aufzubewahren.

**Zur Leistung von neuen Batterien**

Da die Batteriechemikalien von neuen Batterien und Batterien, die längere Zeit über nicht verwendet wurden, noch nicht bzw. nicht mehr aktiv sind, kann die Leistung von beim ersten und zweiten Einsatz niedrig sein. Dies ist eine vorübergehende Erscheinung, und die normale Batterieleistung wird

nach zwei- oder dreimaligem Aufladen der Batterien wieder hergestellt.

**Verlängerung der Lebensdauer von Batterien**

(1) Die Batterien aufladen, bevor sie völlig erschöpft sind.

Wenn festgestellt wird, daß die Leistung des Werkzeugs nachläßt, mit der Arbeit aufhören und die Batterie aufladen.

Wenn das Werkzeug weiter verwendet wird und die Batterie völlig erschöpft wird, kann die Batterie beschädigt und ihre Lebensdauer verkürzt werden.

(2) Nicht bei hohen Temperaturen aufladen.

Eine Akkubatterie erhitzt sich bei der Verwendung. Wenn solch eine Batterie sofort nach der Verwendung

aufgeladen wird, werden die Batteriechemikalien beeinträchtigt, und die Batteriebensdauer nimmt ab. Die Batterie etwas stehen lassen und erst aufladen, wenn sie sich abgekühlt hat.

## VORSICHT

- Wenn die Akkubatterie geladen wird, während sie aufgrund längerer Einwirkung von direktem Sonnenlicht erhitzt wurde, oder wenn sie soeben verwendet wurde, leuchtet die Steuerleuchte des Ladegeräts 1 Sekunde und erlischt dann für 0,5 Sekunden (leuchtet 0,5 Sekunden nicht). In diesem Fall zuerst die Batterie abkühlen lassen und erst dann mit dem Aufladen beginnen.
- Da der eingebaute Mikrocomputer etwa 3 Sekunden braucht, um zu bestätigen, daß die im UC18YGL2 zum Laden eingelegte Batterie herausgenommen wird, warten Sie mindestens 3 Sekunden, bevor Sie die Batterie zum Fortsetzen des Aufladens einlegen. Wenn die Batterie innerhalb von 3 Sekunden eingelegt wird, kann es sein, daß sie nicht richtig geladen wird.

## INSTANDHALTUNG UND NACHPRÜFUNG

### 1. Inspektion der Befestigungsschraube:

Alle Befestigungsschrauben werden regelmäßig inspiziert und geprüft, ob sie gut angezogen sind. Wenn sich eine der Schrauben lockert, muß sie sofort wieder angezogen werden. Geschieht das nicht, kann das zu erheblichen Gefahren führen.

### 2. Außenreinigung

Wenn das Ladegerät schmutzig ist, es mit einem weichen und trockenen Tuch abwischen oder mit einem in Siefenwasser benetzten Tuch. Kein Chlorsolvent, Benzin oder Farbsolvent verwenden, da sie plastisches Material schmelzen.

### 3. Lagern des Ladegerätes, wenn außer Gebrauch

Wenn außer Gebrauch, das Ladegerät an einer trockenen und hochliegenden Stelle außer Reichweite der Kinder lagern.

### 4. Liste der Wartungsteile

- A: Punkt Nr.
- B: Code Nr.
- C: Verwendete Anzahl
- D: Bemerkungen

## ACHTUNG

Reparatur, Modifikation und Inspektion von Hitachi-Elektrowerkzeugen müssen durch ein autorisiertes Hitachi-Kundendienstzentrum durchgeführt werden. Diese Teileliste ist hilfreich, wenn sie dem autorisierten Hitachi-Kundendienstzentrum zusammen mit dem Werkzeug für Reparatur oder Wartung ausgehändigt wird.

Bei Betrieb und Wartung von Elektrowerkzeugen müssen die Sicherheitsvorschriften und Normen beachtet werden.

## MODIFIKATIONEN

Hitachi-Elektrowerkzeuge werden fortwährend verbessert und modifiziert, um die neuesten technischen Fortschritte einzubauen. Dementsprechend ist es möglich, daß einige Teile (z.B. Codenummern bzw. Entwurf) ohne vorherige Benachrichtigung geändert werden.

## ANMERKUNG

Aufgrund des ständigen Forschungs- und Entwicklungsprogramms vor HITACHI sind Änderungen der hierin gemachten technischen Angaben nicht ausgeschlossen.



## PRECAUTIONS GENERALES

- Maintenir la zone de travail propre. Des surfaces et des bancs de travail encombrés sont propices aux accidents.
- Eviter des alentours dangereux. Ne pas exposer l'outil et le chargeur à la pluie. Ne pas utiliser l'outil ou le chargeur en des endroits humides ou mouillés. Maintenir la zone de travail bien éclairée. Ne jamais utiliser d'outils électro-portatifs et de chargeur à proximité de matières inflammables ou explosives. Ne pas utiliser l'outil et le chargeur en présence de gaz ou de liquide inflammables.
- L'outil n'est pas conçu pour être utilisé par de jeunes enfants ou des personnes handicapées sans surveillance. Les jeunes enfants devront être surveillés pour s'assurer qu'ils ne jouent pas avec l'outil. Tous les visiteurs doivent être maintenus à bonne distance de l'aire de travail.
- Ranger l'outil et la charger quand ils sont hors service. Quand vous ne les utilisez pas, l'outil et le chargeur seront rangés dans un endroit sec et surélevé ou fermé à clef, c'est-à-dire hors de portée des enfants. Ranger l'outil et le chargeur dans un endroit où la température est inférieure à 40°C.
- Ne pas fatiguer le cordon. Ne jamais porter le chargeur par le cordon, et pour le débrancher de la prise ne pas tirer le cordon. Maintenir le cordon à l'écart de la chaleur, de l'huile et des arrêtes pointues.
- Quand le chargeur n'est pas utilisé ou quand il est soumis à l'entretien ou à une vérification, débrancher le cordon du chargeur de la prise secteur.
- Utiliser toujours le chargeur spécifié. Ne jamais utiliser un chargeur autre que celui spécifié pour éviter les dangers.
- N'utiliser que des pièces de rechange HITACHI d'origine.
- Ne pas utiliser l'outil et le chargeur pour une application autre que celles spécifiées dans le mode d'emploi.
- L'utilisation d'accessoires ou fixations autres que ceux préconisés dans le manuel d'instructions ou le catalogue HITACHI peut présenter un danger pour l'utilisateur.
- Si le cordon d'alimentation est endommagé, il faudra le faire remplacer par le fabricant ou son service après-vente ou toute autre personne qualifiée pour éviter tout danger. Toute réparation doit être effectuée par un réparateur agréé. Le fabricant ne peut être tenu responsable des dommages ou blessures dus à une réparation effectuée par une personne non autorisée ou par une mauvaise utilisation de l'outil.

- Pour assurer l'intégrité de la conception de fonctionnement de l'outil et du chargeur, ne pas enlever les couvercles ou les vis qui ont été installés.
- Utiliser toujours le chargeur à la tension spécifiée sur la plaque indicatrice.
- Charger toujours la batterie avant utilisation.
- Ne jamais utiliser une batterie autre que celle spécifiée. Ne pas connecter une pile sèche ordinaire, une batterie rechargeable autre que celle spécifiée ou une batterie d'auto à l'outil électroportatif.
- Ne pas utiliser de transformateur élévateur.
- Ne pas charger la batterie à partir d'un générateur électrique ou d'une alimentation en courant continu.
- Charger toujours à l'intérieur. Etant donné que le chargeur et la batterie chauffent légèrement pendant l'opération de charge, charger la batterie dans un endroit non exposé aux rayons du soleil, à basse humidité et bien aéré.
- La vue éclatée contenue dans ce manuel d'instructions doit être utilisée seulement dans un centre de réparation agréé.

## PRECAUTIONS POUR CHARGEUR

- Chargez toujours la batterie à une température de 0-40°C. Une température inférieure à 0°C entraînera une surcharge dangereuse. La batterie ne peut pas être chargée à une température supérieure à 40°C. La température la plus appropriée serait de 20-25°C.
- N'utilisez pas le chargeur continuellement. Quand une charge a été effectuée, laissez le chargeur au repos pendant environ 15 minutes avant de commencer la prochaine charge de batterie.
- Ne laissez pas de corps étrangers pénétrer par le trou de raccord de la batterie rechargeable.
- Ne désassemblez jamais la batterie rechargeable et le chargeur.
- Ne court-circuitez jamais la batterie rechargeable. Le fait de court-circuiter la batterie générera un courant électrique élevé et une surchauffe, ce qui entraînera la brûlure ou l'endommagement de la batterie.
- Ne jetez pas la batterie au feu. Elle pourrait exploser.
- L'utilisation d'une batterie usagée endommagera le chargeur.
- Apportez la batterie au magasin où vous l'avez achetée dès que la durée de vie de post-charge de la batterie devient trop courte pour une utilisation pratique. Ne jetez pas de batterie usagée.
- Ne pas introduire d'objets métalliques ou des produits inflammables dans les fentes d'aération du chargeur, cela provoquera un choc électrique ou endommagera le chargeur.

## SPECIFICATIONS

### CHARGEUR

Temps de charge	env. 35 – 90 minutes
Tension de charge	7,2 – 18 V
Poids	0,4 kg

## APPLICATION

Pour charger la Batterie Hitachi

- EB712S, EB7S, EB714S, FEB7S, EB7B, EB912S, EB9S, EB914S, EB914, FEB9S, EB9B, EB924, EB926H, EB930H, EB933X, EB1212S, EB12S, EB1214S, EB1214L, FEB12S, EB12B, EB1220BL, EB1224, EB1226H, EB1230H, EB1230HL, EB1230X, EB1233X, EB1412S, EB1414S, EB1414, EB14B, EB1424, EB1426H, EB1430H, EB1430X, EB1433X, BCL1415, BCL1430, EBL1430, EB1812S, EB1814SL, EB18B, EB1820, EB1820L, EB1824L, EB1826HL, EB1830H, EB1830HL, EB1830X, EB1833X, BCL1815, EBM1830

## CHARGE

Avant d'utiliser la perceuse électrique, chargez la batterie comme suit:

### 1. Brancher le cordon d'alimentation du chargeur sur une prise secteur.

Quand vous raccordez la fiche du chargeur à une prise murale, le voyant témoin clignote en rouge (à intervalles d'une seconde).

### 2. Insérer la batterie dans le chargeur.

Insérer fermement la pile dans le chargeur, jusqu'à ce qu'elle entre en contact avec le fond du chargeur et vérifier les polarités comme illustré aux **Fig. 1**.

### ATTENTION:

- Si les piles sont insérées dans le mauvais sens, la recharge sera impossible. En outre, le chargeur peut être endommagé, par exemple la borne de recharge peut être déformée.

### 3. Recharge

Quand vous insérez une batterie dans le chargeur, le voyant témoin s'allume en rouge.

Quand la batterie est complètement chargée, le voyant témoin clignote en rouge (à intervalles d'une seconde). (voir **Tableau 1**)

- (1) Explication de la lampe témoin

Les explications de la lampe témoin se trouvent sur le **tableau 1**, en fonction de l'état du chargeur ou de la pile rechargeable.

**Tableau 1**

Explications de la lampe témoin				
Lampe témoin (rouge)	Avant la recharge	Clignote	S'allume pendant 0,5 seconde. Ne s'allume pas pendant 0,5 seconde. (Eteint pendant 0,5 seconde)	
	Pendant la recharge	S'allume	S'allume sans interruption	
	Recharge terminée	Clignote	S'allume pendant 0,5 seconde. Ne s'allume pas pendant 0,5 seconde. (Eteint pendant 0,5 seconde)	
	Veille en surchauffe	Clignote	S'allume pendant 1 seconde. Ne s'allume pas pendant 0,5 seconde. (Eteint pendant 0,5 seconde)	Batterie en surchauffe. Chargement impossible (le chargement commencera une fois que la batterie sera froide).

- (2) Au sujet de la température de la batterie rechargeable

Les températures des batteries rechargeables sont indiquées dans le tableau ci-dessous. Laisser refroidir les batteries qui ont chauffé avant de les recharger.

**Tableau 2**

Batteries rechargeables	Températures de recharge de la batterie
EB712S, EB7S, EB714S, FEB7S, EB7B, EB912S, EB9S, EB914S, EB914, FEB9S, EB9B, EB924, EB1212S, EB12S, EB1214S, EB1214L, FEB12S, EB12B, EB1220BL, EB1224, EB1412S, EB1414S, EB1414, EB14B, EB1424, EB1812S, EB1814SL, EB18B, EB1820, EB1820L, EB1824L	-5°C — 55°C
EB926H, EB930H, EB933X, EB1226H, EB1230H, EB1230HL, EB1230X, EB1233X, EB1426H, EB1430H, EB1430X, EB1433X, EB1826HL, EB1830H, EB1830HL, EB1830X, EB1833X	-5°C — 50°C
BCL1415, BCL1430, EBL1430, BCL1815, EBM1830	0°C — 50°C

(3) Au sujet du temps de recharge

Le **Tableau 3** indique le temps de recharge nécessaire selon le type de batterie

**Tableau 3 Durée de recharge (min. approx.) à 20°C**

Tension de batterie (V)		Capacité de batterie (Ah)										
		BATTERIE Ni-Cd					BATTERIE Ni-MH					
		1,2-1,4 Ah		2,0 Ah		2,4 Ah		2,6 Ah		3,0 Ah		3,3 Ah
7,2V	EB712S EB7S EB714S FEB7S (6 accus)	35min.	EB7B (6 accus)	60min.	—	—	—	—	—	—	—	—
	EB912S EB914S EB9S EB914 FEB9S (8 accus)		35min.	EB9B (8 accus)	60min.	EB924 (8 accus)	70min.	EB926H (8 accus)	80min.	EB930H (8 accus)	90min.	EB933X (8 accus)
12V	EB12S EB1212S EB1214S EB1214L FEB12S (10 accus)	35min.		EB12B EB1220BL (10 accus)	60min.	EB1224 (10 accus)	70min.	EB1226H (10 accus)	80min.	EB1230H EB1230HL EB1230X (10 accus)	90min.	EB1233X (10 accus)
	EB1412S EB1414S EB1414 (12 accus)		35min.	EB14B (12 accus)	60min.	EB1424 (12 accus)	70min.	EB1426H (12 accus)	80min.	EB1430H EB1430X (12 accus)	90min.	EB1433X (12 accus)
18V	EB1812S EB1814SL (15 accus)	35min.		EB18B EB1820L EB1820 (15 accus)	60min.	EB1824L (15 accus)	70min.	EB1826HL (15 accus)	80min.	EB1830H EB1830HL EB1830X (15 accus)	90min.	EB1833X (15 accus)

Tension de batterie (V)		Capacité de batterie (Ah)			
		BATTERIE Li-ion			
		1,5 Ah		3,0 Ah	
14,4V	BCL1415 (4 accus)	40min.	BCL1430 (8 accus) EBL1430 (4 accus)	90min.	
18V	BCL1815 (5 accus)	40min.	EBM1830 (10 accus)	90min.	

**REMARQUE:** Le temps de recharge peut varier selon la température ambiante.

**4. Débrancher le cordon d'alimentation secteur de la prise secteur.**

**5. Tenir fermement le chargeur et dégager la batterie.**

**REMARQUE**

Bien sortir la batterie du chargeur après usage, et la conserver.

**En ce qui concerne le courant de décharge d'une batterie neuve**

Etant donnée que les substances chimiques internes sont restées inactives dans le cas des batteries neuves ou des batteries qui sont restées longtemps inutilisées, le courant de décharge risque d'être très faible lors des première et deuxième utilisations. Ce

phénomène est temporaire et le temps de recharge normal sera rétabli quand les batteries auront été rechargées 2 ou 3 fois.

**Comment prolonger la durée de vie des batteries**

(1) Recharger les batteries avant qu'elles ne soient complètement épuisées.

Quand la puissance de l'outil utilisé faiblit, l'éteindre et recharger la batterie. Si l'outil continue d'être utilisé jusqu'à épuisement du courant électrique, la batterie risque d'être endommagée et sa durée de vie se raccourcira.

(2) Eviter d'effectuer la recharge sous des températures élevées.

Une batterie est toujours chaude immédiatement après son utilisation. Si la batterie est rechargée immédiatement après utilisation, les substances chimiques internes risquent de se détériorer et la durée de vie de la batterie se raccourcira. Laisser la batterie refroidir un moment avant de l'utiliser.

## ATTENTION

- Si la batterie est chaude quand elle est rechargée, parce qu'elle est restée longtemps en plein soleil ou parce qu'elle vient juste d'être utilisée, la lampe pilote du chargeur clignote en s'allumant pendant 1 seconde, puis en s'éteignant pendant 0,5 seconde. Dans une telle éventualité, laisser la batterie refroidir, puis procéder à la recharge.
- Etant donné qu'il faut environ 3 secondes au micro-ordinateur intégré pour confirmer l'extraction de la batterie en cours de chargement avec UC18YGL2, attendre 3 secondes au minimum avant de la réinsérer pour continuer le chargement. Si la batterie est réinsérée dans les 3 secondes, elle risque de ne pas être correctement rechargée.

---

## ENTRETIEN ET CONTROLE

---

### 1. Contrôle des vis de montage:

Vérifier régulièrement les vis de montage et s'assurer qu'elles sont correctement serrées. Resserrer immédiatement toute vis desserrée. Sinon, il y a danger sérieux.

### 2. Nettoyage de l'extérieur

Quand le chargeur est sale, essuyez-le avec un chiffon sec et doux ou un chiffon imbibé d'eau savonneuse.

N'utilisez pas de solvant au chlore, d'essence ou de diluant, car ils font fondre les matières plastiques.

### 3. Rangement du chargeur hors-service

Quand le chargeur est hors-service, rangez-le dans un endroit sec et élevé, hors de portée des enfants.

### 4. Liste des pièces de rechange

- A: No. élément
- B: No. code
- C: No. utilisé
- D: Remarques

## ATTENTION

Les réparations, modifications et inspections des outils électriques Hitachi doivent être confiées à un service après-vente Hitachi agréé.

Il sera utile de présenter cette liste de pièces au service après-vente Hitachi agréé lorsqu'on apporte un outil nécessitant des réparations ou tout autre entretien.

Lors de l'utilisation et de l'entretien d'un outil électrique, respecter les règlements et les normes de sécurité en vigueur dans le pays en question.

## MODIFICATIONS

Les outils électriques Hitachi sont constamment améliorés et modifiés afin d'incorporer les tous derniers progrès technologiques.

En conséquence, il est possible que certaines pièces (c.-à-d. no. de code et/ou dessin) soient modifiées sans avis préalable.

---

## NOTA

Par suite du programme permanent de recherche et de développement HITACHI, ces spécifications peuvent faire l'objet de modifications sans avis préalable.

---

## **PRECAUZIONI PER LE OPERAZIONI GENERALI**

1. Tenere pulita l'area di lavoro. Aree in disordine e banchi ingombri, invitano gli incidenti.
2. Evitare ambienti pericolosi. Non esporre gli utensili elettrici e il caricabatterie alla pioggia. Non usare gli utensili elettrici e il caricabatterie all'umidità e al bagnato. Tenere l'area di lavoro ben illuminata. Non usare mai gli utensili elettrici e il caricabatterie vicino a sostanze infiammabili o esplosive. Non usare gli utensili e il caricabatterie in presenza di gas o liquidi infiammabili.
3. Tenere l'apparecchiatura lontana dalla portata dei bambini o dei malati senza sorveglianza. I bambini devono essere sorvegliati per evitare che giochino con l'apparecchiatura. Tutti i visitatori devono essere mantenuti a distanza di sicurezza dalla zona di lavoro.
4. Riporre il caricabatterie e gli utensili non utilizzati. Quando non utilizzati, il caricabatterie e gli utensili devono essere riposti in un luogo secco ed elevato o chiuso a chiave e comunque fuori dalla portata dei bambini.  
Sistemare gli utensili ed il caricabatterie in luoghi con temperatura inferiore ai 40°C.
5. Non maltrattare il cavo. Non portare mai utensili per il cavo né tirare per togliere la spina dalla presa. Tenere il cavo lontano dal calore, dalle lame taglienti e da olio.
6. Quando il caricatore non viene usato, o quando si stanno svolgendo le operazioni di manutenzione ed ispezione, staccare il cavo della corrente del caricatore dalla presa AC.
7. Usare sempre il caricabatterie specificato, in modo da impedire incidenti, non usare mai caricabatterie d'altro tipo.
8. Usare solo parti di ricambio originali HITACHI.
9. Non usare gli utensili elettrici e il caricabatterie per impieghi diversi da quelli specificati nelle istruzioni per l'uso.
10. L'uso di ogni altro accessorio o dispositivo di attacco raccomandato in queste istruzioni di impiego o nel catalogo HITACHI potrebbe causare danni personali.
11. Se il cavo di alimentazione è danneggiato, deve essere sostituito dal fabbricante o da un suo centro assistenza o da personale con simili qualifiche per evitare rischi.  
La riparazione deve essere fatta solamente da personale autorizzato. Il produttore non è responsabile per danni o incidenti causati da persone non autorizzate, né dell'eventuale malfunzionamento dell'utensile.

12. Per ottenere l'integrità di funzionamento per la quale gli utensili e il caricabatterie sono stati concepiti, non togliere le protezioni e le viti installate.
13. Usare il caricabatterie sempre e solo al voltaggio specificato sulla targhetta.
14. Caricare sempre la batteria prima dell'uso.
15. Non usare mai batterie diverse da quelle specificate. Non collegare un elemento secco uguale, una batteria ricaricabile diversa da quella specificata o una batteria da automobile all'utensile elettrico.
16. Non usare trasformatori con alimentatori stabilizzati.
17. Non caricare la batteria da un motogeneratore o da una fonte di corrente DC.
18. Effettuare le operazioni di ricarica sempre all'interno. Sia il caricabatterie che la batteria si surriscaldano durante il ricaricamento. Portare la batteria in un posto non esposto direttamente al raggio del sole e che sia ben ventilato.
19. Il disegno completo dello spaccato inserito su queste istruzioni di impiego dovrebbe essere utilizzato solo dal personale autorizzato.

## **PRECAUZIONI PER L'USO DEL CARICATORE**

1. Caricare la batteria ad una temperatura di 0-40°C. Una temperatura minore può provocare sovraccarico, il che è pericoloso. La batteria non può essere ricaricata ad una temperatura superiore ai 40°C. La temperatura ideale è compresa fra i 20-25 gradi.
2. Non usare il caricatore in continuazione. Quando un'operazione di ricarica è terminata, prima di iniziarne una seconda, lasciare che il caricatore riposi per 15 minuti.
3. Non permettere che sostanze estranee entrino nel foro di collegamento della batteria ricaricabile.
4. Non smontare mai la batteria ricaricabile e il caricatore.
5. Non provocare assolutamente mai dei corto-circuiti alla batteria ricaricabile. Il fenomeno provoca surriscaldamento e grande corrente elettrica. Può quindi causare bruciature o danni alla batteria.
6. Non gettare la batteria nel fuoco. Può esplodere.
7. Usando una batteria scarica, il caricatore può venir danneggiato.
8. Non appena la vita della batteria dopo le operazioni di ricarica diventa troppo breve per fini pratici, si porti la batteria al negozio dove è stata acquistata. Non la si getti mai via.
9. Non inserire nessun oggetto nelle fessure di ventilazione del caricatore.  
Inserendo oggetti metallici o infiammabili nelle fessure di ventilazione, si possono causare facilmente delle scosse elettriche, o si può danneggiare il caricatore.

## **CARATTERISTICHE**

### **CARICATORE**

Tempo di carica	Circa 35 - 90 minuti
Voltaggio di carica	7,2 - 18 V
Peso	0,4 kg

**APPLICAZIONI**

Ricarica della batteria Hitachi

- EB712S, EB7S, EB714S, FEB7S, EB7B, EB912S, EB9S, EB914S, EB914, FEB9S, EB9B, EB924, EB926H, EB930H, EB933X, EB1212S, EB12S, EB1214S, EB1214L, FEB12S, EB12B, EB1220BL, EB1224, EB1226H, EB1230H, EB1230HL, EB1230X, EB1233X, EB1412S, EB1414S, EB1414, EB14B, EB1424, EB1426H, EB1430H, EB1430X, EB1433X, BCL1415, BCL1430, EBL1430, EB1812S, EB1814SL, EB18B, EB1820, EB1820L, EB1824L, EB1826HL, EB1830H, EB1830HL, EB1830X, EB1833X, BCL1815, EBM1830

**RICARICA**

Prima di usare il trapano elettrico, caricare la batteria come indicato di seguito.

**1. Collegare il cavo di alimentazione del caricatore a una presa CA.**

Quando si collega la spina del caricatore ad una presa a muro, la spia pilota lampeggia in rosso (A intervalli di 1 secondo).

**Tabella 1**

Indicazioni della spia				
Spia (rossa)	Prima della carica	Lampeggia	Si illumina per 0,5 secondi. Non si illumina per 0,5 secondi. (Spento per 0,5 secondi)	
	Durante la carica	Si illumina	Si illumina stabilmente	
	Carica completa	Lampeggia	Si illumina per 0,5 secondi. Non si illumina per 0,5 secondi. (Spento per 0,5 secondi)	
	Standby di surriscaldamento	Lampeggia	Si illumina per 1 secondo. Non si illumina per 0,5 secondi. (Spento per 0,5 secondi)	Batteria surriscaldata. Impossibile ricaricare (la ricarica comincerà quando la batteria si raffredda).

**(2) Temperatura della batteria ricaricabile**

Le temperature delle batterie ricaricabili sono come indicato nella tabella sotto. Consentire alle batterie che si sono riscaldate, di raffreddarsi prima ricaricarle.

**Tabella 2**

Batterie ricaricabili	Temperature di carica per le baatterie
EB712S, EB7S, EB714S, FEB7S, EB7B, EB912S, EB9S, EB914S, EB914, FEB9S, EB9B, EB924, EB1212S, EB12S, EB1214S, EB1214L, FEB12S, EB12B, EB1220BL, EB1224, EB1412S, EB1414S, EB1414, EB14B, EB1424, EB1812S, EB1814SL, EB18B, EB1820, EB1820L, EB1824L	-5°C — 55°C
EB926H, EB930H, EB933X, EB1226H, EB1230H, EB1230HL, EB1230X, EB1233X, EB1426H, EB1430H, EB1430X, EB1433X, EB1826HL, EB1830H, EB1830HL, EB1830X, EB1833X	-5°C — 50°C
BCL1415, BCL1430, EBL1430, BCL1815, EBM1830	0°C — 50°C

(3) Tempo di carica necessario

La **Tabella 3** indica il tempo di carica necessario a seconda del tipo di batteria

**Tabella 3 Tempo di ricarica (min. circa) a 20°C**

Tensione batteria (V)		Capacità batteria (Ah)										
		BATTERIA Ni-Cd					BATTERIA Ni-MH					
		1,2-1,4 Ah		2,0 Ah		2,4 Ah		2,6 Ah		3,0 Ah		3,3 Ah
7,2V	EB712S EB7S EB714S FEB7S (6 cellule)	35min.	EB7B (6 cellule)	60min.	—	—	—	—	—	—	—	
9,6V	EB912S EB914S EB9S EB914 FEB9S (8 cellule)	35min.	EB9B (8 cellule)	60min.	EB924 (8 cellule)	70min.	EB926H (8 cellule)	80min.	EB930H (8 cellule)	90min.	EB933X (8 cellule)	90min.
12V	EB12S EB1212S EB1214S EB1214L FEB12S (10 cellule)	35min.	EB12B EB120BL (10 cellule)	60min.	EB1224 (10 cellule)	70min.	EB1226H (10 cellule)	80min.	EB1230H EB1230HL EB1230X (10 cellule)	90min.	EB1233X (10 cellule)	90min.
14,4V	EB1412S EB1414S EB1414 (12 cellule)	35min.	EB14B (12 cellule)	60min.	EB1424 (12 cellule)	70min.	EB1426H (12 cellule)	80min.	EB1430H EB1430X (12 cellule)	90min.	EB1433X (12 cellule)	90min.
18V	EB1812S EB1814SL (15 cellule)	35min.	EB18B EB1820L EB1820 (15 cellule)	60min.	EB1824L (15 cellule)	70min.	EB1826HL (15 cellule)	80min.	EB1830H EB1830HL EB1830X (15 cellule)	90min.	EB1833X (15 cellule)	90min.

Tensione batteria (V)		Capacità batteria (Ah)			
		BATTERIA Li-ion			
		1,5 Ah		3,0 Ah	
14,4V	BCL1415 (4 cellule)	40min.	BCL1430 (8 cellule)	90min.	
			EBL1430 (4 cellule)		
18V	BCL1815 (5 cellule)	40min.	EBM1830 (10 cellule)	90min.	

**NOTA:** Il tempo di carica varia a seconda della temperatura ambientale.

**4. Scollegare il cavo di alimentazione del caricatore dalla presa CA.**

**5. Tenere saldamente il caricatore e estrarre la batteria.**

**NOTA**

Assicurarsi di estrarre la batteria dal caricatore dopo l'uso e quindi conservarla.

**Scarica nel caso di batterie nuove, ecc.**

Poiché la sostanza chimica interna delle batterie nuove e delle batterie che non sono state usate per un lungo periodo di tempo non è attivata, la scarica esterna può essere abbassata quando le si usa per la prima e seconda volta. Questo è un fenomeno temporaneo e il tempo normale necessario per la

carica viene ripristinato ricaricando la batteria per 2 o 3 volte.

**Come mantenere più lunga la durata delle batterie**

- Ricaricare le batterie prima che si scarichino completamente. Quando si sente che la potenza dell'attrezzo si indebolisce, interrompere l'uso e ricaricare la batteria. Se si continua l'uso e si finisce la corrente elettrica, la batteria può essere danneggiata e la sua durata abbreviarsi.
- Evitare di raggiungere alte temperature. Una batteria ricaricabile si riscalda subito dopo l'uso. Se si ricarica una batteria subito dopo averla

usata, la sostanza chimica interna viene deteriorata e la durata della batteria abbreviata. Consentire alla batteria di raffreddarsi per un po' e quindi ricaricarla.

## ATTENZIONE

- Se la batteria viene caricata mentre è calda perché rimasta esposta a lungo ai raggi solari o perché immediatamente dopo l'uso della batteria, la spia pilota del caricatore lampeggia illuminandosi per 1 secondo e non illuminandosi per 0,5 secondi (spenta per 0,5 secondi.) In questo caso, prima lasciar raffreddare la batteria e poi eseguire l'operazione di carica.
- Poiché il micro computer incorporato impiega circa 3 secondi per confermare che la batteria caricata con l'UC18YGL2 è stata espulsa, aspettare almeno 3 secondi prima di reinserirla per continuare il caricamento. Se la batteria viene reinserita entro 3 secondi, essa può non essere caricata in modo appropriato.

---

## MANUTENZIONE E CONTROLLI

---

### 1. Controllo delle viti di tenuta:

Controllare regolarmente tutte le viti di tenuta e assicurarsi che siano esclusivamente serrate. Nel caso che una di queste viti dovesse allentarsi riserrarla immediatamente. Se ciò non avviene si può causare un grave incidente.

### 2. Pulizia della carcassa dell'utensile

Se il caricatore è sporco, pulirlo con uno straccio soffice, inumidito di acqua e sapone.

Non usare solventi cloridici, benzina o diluenti per benzina, in quanto potrebbero deformare la plastica.

### 3. Conservazione del caricatore

Quando non è usato, il caricatore deve essere conservato in un luogo asciutto e chiuso o in alto, affinché sia fuori dalla portata dei bambini.

### 4. Lista dei pezzi di ricambio

- A: N. voce
- B: N. codice
- C: N. uso
- D: Note

## ATTENZIONE

Riparazioni, modifiche e ispezioni di utensili elettrici Hitachi devono essere eseguite da un centro assistenza Hitachi autorizzato.

Questa lista dei pezzi torna utile se viene presentata con l'utensile al centro assistenza Hitachi autorizzato quando si richiedono riparazioni o altri interventi di manutenzione.

Nell'uso e nella manutenzione degli utensili elettrici devono essere osservate le normative di sicurezza e i criteri prescritti in ciascun paese.

## MODIFICHE

Gli utensili elettrici Hitachi vengono continuamente migliorati e modificati per includere le più recenti innovazioni tecnologiche.

Di conseguenza, alcuni pezzi (p.es. numero di codice e/o design) possono essere modificati senza preavviso.

---

## NOTA

A causa del continuo programma di ricerca a sviluppo della HITACHI, le caratteristiche riportate in questo foglio sono soggette a cambiamenti senza preventiva comunicazione.

---



## ALGEMENE VOORZORGSMAATREGELEN

- De plaats waar gewerkt wordt schoonhouden. Niet opgeruimde werkplaatsen en werkbanken verhogen het gevaar van ongelukken.
- Voorkom gevaarlijke situaties. Stel het apparaat niet bloot aan regen of overmatige vochtigheid. Gebruik het apparaat niet op plaatsen die overmatig dampig zijn.  
Zorg voor goede verlichting tijdens de werkzaamheden.  
Gebruik de boor en de acculader niet in de buurt van brandbare of explosieve materialen.  
Voorkom gebruik van de boor en acculader in de buurt van brandbare vloeistoffen of gassen.
- Het gereedschap is niet geschikt voor gebruik door kinderen of onbevoegden zonder toezicht. Kinderen dienen onder toezicht gehouden te worden en mogen in geen geval in de gelegenheid komen met het gereedschap te spelen. Bezoekers dienen een veilige afstand te bewaren tot de werkplek.
- Onbenodigd gereedschap en de acculader opruimen. Wanneer het gereedschap en de acculader niet gebruikt worden, dienen deze op een hoggelegen of af te sluiten plaats te worden opgeborgen. Het toestel en de acculader dienen op een plaats te worden opgeborgen waar de temperatuur onder de 40°C is.
- Wees voorzichtig met het snoer van de acculader. Het toestel nooit aan het snoer dragen, en aan het snoertrekking uit het stopcontact verwijderen. Bescherm het snoer tegen hitte, olie en scherpe voorwerpen.
- Wanneer de acculader niet gebruikt wordt of gerepareerd wordt, dient de stekker uit het stopcontact verwijderd te worden.
- Gebruik uitsluitend de bijbehorende acculader. Gebruik geen andere acculaders om gevaar te voorkomen.
- Alleen gebruik maken van originele HITACHI onderdelen.
- Gebruik de boor en de acculader uitsluitend voor doeleinden die in deze gebruiksaanwijzing beschreven zijn.
- Het gebruik van accessoires en toebehoren anders dan in deze gebruiksaanwijzing of in de HITACHI katalogus beschreven zijn, verhoogd het risico op lichamelijk letsel.
- Indien het netsnoer beschadigd is, moet dit, om risico te voorkomen, worden vervangen door de fabrikant, het onderhoudscentrum van de fabrikant of ander bevoegd personeel.  
Reparaties mogen alleen uitgevoerd worden door een geautoriseerde service dienst. De fabrikant is niet aansprakelijk voor schade en/of letsel veroorzaakt door reparatie uitgevoerd door ongeautoriseerde service diensten en/of verkeerd gebruik van het gereedschap.
- Verwijder geen schroeven of andere onderdelen van de boor en de acculader om de integriteit van het ontwerp te verzekeren.
- Gebruik de acculader met het voltage dat op het naamplaatje is aangegeven.
- Laad de batterij altijd op voordat het toestel gebruikt wordt.
- Gebruik uitsluitend de voorgeschreven batterij. Gebruik geen normale droge-cel batterij, een oplaadbare of auto-accu voor de boor.
- Maak geen gebruik van een transformator met een spanningsverhoger.
- Laad de batterij niet op met de wisselstroom-dynamo van de auto of met gelijkstroom.
- De batterij alleen binnenshuis opladen. De acculader en batterij worden warm tijdens het opladen, dus vermijd direct zonlicht; zorg voor goede ventilatie.
- De onderdelentekening in deze handleiding is uitsluitend bestemd voor de geautoriseerde service dienst.

## VOORZORGSMAATREGELEN VOOR DE OPLADER

- Laad de batterij bij een temperatuur van 0–40°C. Een temperatuur van onder 0°C kan overlading veroorzaken, hetgeen gevaarlijk kan zijn. De batterij kan niet bij een temperatuur van boven de 40°C geladen worden.  
De meest geschikte temperatuur is tussen de 20–25°C.
- Gebruik de oplader niet continu. Wacht ongeveer 15 minuten voordat met het laden van een andere batterij begonnen wordt.
- Voorkom dat stof of vuil in de aansluitopening van de batterij terecht komt.
- Demonteer de oplaadbare batterij of oplader niet.
- Voorkom kortsluiting van de oplaadbare batterij. Kortsluiting kan resulteren in oververhitting. Dit kan schade of brandgevaar opleveren.
- Gooi de batterij niet in het vuur. Een brandende batterij kan ontploffen.
- Het gebruik van een uitgeputte batterij zal de oplader beschadigen.
- Breng de batterij naar de dealer waar deze gekocht werd, nadat deze na oplading onvoldoende kracht heeft voor praktisch gebruik.  
Gooi een uitgewerkte batterij niet weg.
- Steek nooit een voorwerp in de ventilatie-openingen van de oplader.  
Als een voorwerp of ontvlambaar materiaal in de ventilatie-openingen van de oplader wordt gestoken, kan dit resulteren in een elektrische schok of beschadiging aan de oplader.

## TECHNISCHE GEGEVENS

### ACCULADER

Oplaadtijd	Ongeveer 35 – 90 minuten
Oplaadspanning	7,2 – 18 V
Gewicht	0,4 kg

**TOEPASSING**

Voor het opladen van de HITACHI batterij

- EB712S, EB7S, EB714S, FEB7S, EB7B, EB912S, EB9S, EB914S, EB914, FEB9S, EB9B, EB924, EB926H, EB930H, EB933X, EB1212S, EB12S, EB1214S, EB1214L, FEB12S, EB12B, EB1220BL, EB1224, EB1226H, EB1230H, EB1230HL, EB1230X, EB1233X, EB1412S, EB1414S, EB1414, EB14B, EB1424, EB1426H, EB1430H, EB1430X, EB1433X, BCL1415, BCL1430, EBL1430, EB1812S, EB1814SL, EB18B, EB1820, EB1820L, EB1824L, EB1826HL, EB1830H, EB1830HL, EB1830X, EB1833X, BCL1815, EBM1830

**OPLADEN**

Voor het gebruik van de boor-schroefmachine e.d. dient de batterij als volgt opgeladen te worden.

**1. Sluit het netsnoer van het oplaadapparaat op het stopcontact aan.**

Wanneer de stekker van de acculader in het stopcontact wordt gestoken, zal het lampje in rood knipperen (met tussenpozen van 1 seconde).

**2. Steek de batterij in het oplaadapparaat.**

Steek de batterij stevig in de oplader, totdat deze contact maakt met de bodem van de oplader. Let bij het plaatsen van de batterij op de polariteit van (+) en (-) zoals in **Afb 1** getoond wordt.

**OPGELET:**

- Als de batterijen niet in de juiste richting van (+) en (-) in de acculader worden aange-bracht, is niet alleen opladen onmogelijk, maar kunnen er ook storingen in de acculader ontstaan, zoals vervorming van het aansluitpunt.

**3. Opladen**

Wanneer een batterij in de acculader wordt aangebracht, blijft het lampje continu rood branden. Wanneer de batterij volledig is opgeladen, gaat het lampje in rood knipperen (met tussenpozen van 1 seconde) (Zie **Tabel 1**).

**(1) Aanduiding van het controlelampje**

De aanduidingen van het controlelampje zijn zoals aangegeven in **Tabel 1**, al naar gelang de toestand van de oplaadbare batterij of de acculader.

**Tabel 1**

Aanduidingen van het controlelampje				
Controlelampje (rood)	Voor het laden	Knippert	Brandt ongeveer 0,5 seconde. Brandt ongeveer 0,5 seconde niet. (Uit voor 0,5 seconde)	/
	Tijdens opladen	Brandt	Blijft branden	
	Na opladen	Knippert	Brandt ongeveer 0,5 seconde. Brandt ongeveer 0,5 seconde niet. (Uit voor 0,5 seconde)	
	Oververhitting standby	Knippert	Brandt ongeveer 1 seconde. Brandt ongeveer 0,5 seconde niet. (Uit voor 0,5 seconde)	De batterij is oververhit. De batterij kan niet opgeladen worden (het opladen wordt hervat wanneer de batterij is afgekoeld).

**(2) Betreffende de temperatuur van de oplaadbare batterij**

De temperatuur van oplaadbare batterijen verloopt zoals aangegeven in de onderstaande tabel; batterijen die erg warm zijn dient u voor het opladen even af te laten koelen.

**Tabel 2**

Oplaadbare batterijen	Geschikte temperatuur voor het opladen
EB712S, EB7S, EB714S, FEB7S, EB7B, EB912S, EB9S, EB914S, EB914, FEB9S, EB9B, EB924, EB1212S, EB12S, EB1214S, EB1214L, FEB12S, EB12B, EB1220BL, EB1224, EB1412S, EB1414S, EB1414, EB14B, EB1424, EB1812S, EB1814SL, EB18B, EB1820, EB1820L, EB1824L	-5°C — 55°C
EB926H, EB930H, EB933X, EB1226H, EB1230H, EB1230HL, EB1230X, EB1233X, EB1426H, EB1430H, EB1430X, EB1433X, EB1826HL, EB1830H, EB1830HL, EB1830X, EB1833X	-5°C — 50°C
BCL1415, BCL1430, EBL1430, BCL1815, EBM1830	0°C — 50°C

(3) Tijd die benodigd is voor het opladen

Tabel 3 geeft de oplaadtijd voor de verschillende typen batterijen

**Tabel 3 Oplaadtijd (bij benadering in minuten) bij 20°**

Accu- litage (V)		Capaciteit van accu (Ah)										
		Ni-Cd BATTERIJ					Ni-MH BATTERIJ					
		1,2-1,4 Ah		2,0 Ah		2,4 Ah		2,6 Ah		3,0 Ah		3,3 Ah
7,2V	EB712S EB7S EB714S FEB7S (6 cellen)	35min.	EB7B (6 cellen)	60min.	—	—	—	—	—	—	—	—
9,6V	EB912S EB914S EB9S EB914 FEB9S (8 cellen)	35min.	EB9B (8 cellen)	60min.	EB924 (8 cellen)	70min.	EB926H (8 cellen)	80min.	EB930H (8 cellen)	90min.	EB933X (8 cellen)	90min.
12V	EB12S EB1212S EB1214S EB1214L FEB12S (10 cellen)	35min.	EB12B EB120BL (10 cellen)	60min.	EB1224 (10 cellen)	70min.	EB1226H (10 cellen)	80min.	EB1230H EB1230HL EB1230X (10 cellen)	90min.	EB1233X (10 cellen)	90min.
14,4V	EB1412S EB1414S EB1414 (12 cellen)	35min.	EB14B (12 cellen)	60min.	EB1424 (12 cellen)	70min.	EB1426H (12 cellen)	80min.	EB1430H EB1430X (12 cellen)	90min.	EB1433X (12 cellen)	90min.
18V	EB1812S EB1814SL (15 cellen)	35min.	EB18B EB1820L EB1820 (15 cellen)	60min.	EB1824L (15 cellen)	70min.	EB1826HL (15 cellen)	80min.	EB1830H EB1830HL EB1830X (15 cellen)	90min.	EB1833X (15 cellen)	90min.

Accu- litage (V)		Capaciteit van accu (Ah)			
		Li-ion BATTERIJ			
		1,5 Ah		3,0 Ah	
14,4V	BCL1415 (4 cellen)	40min.	BCL1430 (8 cellen) EBL1430 (4 cellen)	90min.	
18V	BCL1815 (5 cellen)	40min.	EBM1830 (10 cellen)	90min.	

**OPMERKUNG:** De oplaadtijd kan ietwat variëren, al naar gelang de omgevingstemperatuur.

**4. Trek de stekker van het oplaadapparaat uit het stopcontact.**

**5. Houd het oplaadapparaat stevig vast en trek de batterij er uit.**

**OPMERKING**

Verwijder beslist de accu van de lader na gebruik. Bewaar op een veilige plaats.

**Betreffende het ontladen raken van nieuwe batterijen e.d.**

Aangezien bij nieuwe en langdurig niet gebruikte batterijen de chemische activiteit is teruggelopen, zal de stroomopbrengst bij het eerste en tweede gebruik slechts gering zijn. Dit is een tijdelijk

verschijnsel; de normale oplaadtijd kan hersteld worden door de batterij 2 à 3 maal bij kamertemperatuur op te laden.

**Om langdurig gebruik van de batterijen te bevorderen**

- (1) Laad batterijen op vóórdat ze volledig uitgeput zijn. Merk u dat de gevoede apparatuur minder krachtig gaat werken, onderbreek dan het gebruik en laad de batterij op. Als u apparatuur op batterijvoeding te lang blijft gebruiken, kan dit leiden tot teruglopen van de batterijwerking en eventueel zelfs beschadiging ervan.
- (2) Verricht het opladen niet bij hoge temperatuur. Een oplaadbare batterij zal onmiddellijk na gebruik

gewoonlijk erg warm zijn. Als u een dergelijke batterij onmiddellijk gaat opladen, zal de chemische balans in het inwendige verstord worden en zal de levensduur van de batterij afnemen. Laat de batterij daarom even afkoelen, voor u met opladen begint.

## VOORZICHTIG

- Als wordt geprobeerd de batterij op te laden terwijl deze te warm is geworden door langdurige blootstelling aan direct zonlicht of onmiddellijk na gebruik van de batterij, is het mogelijk dat het controlelampje van de acculader knippert door 1 seconde op te lichten en 0,5 seconde niet op te lichten (lampje is 0,5 seconde uit). Mocht dit zich voordoen, laat de batterij dan eerst even afkoelen alvorens u deze oplaadt.
- Aangzien de ingebouwde micoprocessor van de UC18YGL2 een drietal seconden nodig heeft om te reageren op het loskoppelen van de batterij, dient u minimaal drie seconden te wachten voordat u de batterij weer aansluit om het laden te vervolgen. Als de batterij binnen de drie seconden wordt aangesloten, bestaat de kans dat deze niet goed wordt opgeladen.

---

## ONDERHOUD EN INSPECTIE

---

### 1. Inspectie van de bevestigingsschroef:

Alle bevestigingsschroeven worden regelmatig geïnspecteerd en gecontroleerd of zij juist aangedraaid zijn. Wanneer één van de schroeven losraakt, dan moet deze onmiddellijk opnieuw aangedraaid worden. Gebeurt dat niet, dan kan dat tot aanzienlijke gevaren leiden.

### 2. Reinigen van de behuizing

Gebruik een zachte droge doek, of wat soppig water, wanneer de oplader bevuild is. Gebruik geen vloeistoffen zoals tinner of benzine om ta voorkomen dat de afwerking beschadigt.

### 3. Opbergen

De oplader dient opgeborgen te worden in een droge plaats buiten bereik van kinderen.

### 4. Lijst vervangingsonderdelen

- A: Ond.nr.
- B: Codenr.
- C: Gebr.nr.
- D: Opm.

## LET OP

Reparatie, modificatie en inspectie van Hitachi elektrisch gereedschap dient te worden uitgevoerd door een erkend Hitachi Service-centrum.

Deze Onderdelenlijst komt van pas wanneer u deze samen met het gereedschap aanbiedt bij het erkende Hitachi Service-centrum wanneer u om reparatie of ander onderhoud verzoekt.

Bij gebruik en onderhoud van elektrisch gereedschap dienen de in het land waar u zich bevindt geldende veiligheidsregelgeving en veiligheidsstandaarden strikt te worden opgevolgd.

## MODIFICATIES

Hitachi elektrisch gereedschap wordt voortdurend verbeterd en gewijzigd teneinde gebruik te kunnen maken van de nieuwste technische ontwikkelingen. Daarom is mogelijk dat sommige onderdelen (zoals codenummers en/of ontwerp) zonder voorafgaande kennisgeving gewijzigd worden.

---

## AANTEKENING

Op grond van het voortdurende research-en ontwikkelingsprogramma van HITACHI zijn veranderingen van de hierin genoemde technische opgaven voorbehouden.

---

## PRECAUCIONES GENERALES DE OPERACION

- Mantener limpia el área de trabajo, los puestos de trabajo y bancos desordenados predisponen a que ocurran accidentes.
- Evitar ambientes peligrosos. No exponer las herramientas ni los cargadores a la lluvia. No utilizar las herramientas ni los cargadores en lugares húmedos o mojados. Mantener el área de trabajo bien iluminada.  
No utilizar nunca las herramientas ni los cargadores cerca de materiales inflamables o explosivos. No utilizar la herramienta ni el cargador cerca de líquidos inflamables o gases.
- El aparato no debe ser utilizado por niños o personas con discapacidad.  
Los menores no deberán jugar con el aparato y por lo tanto, deberá mantenerse siempre bajo supervisión. Asimismo, las personas ajenas deben mantenerse a una distancia prudente del área de trabajo.
- Guardar bien las herramientas y cargadores que no se usan. Elegir para ello un lugar seco, alto, cerrado y que no esté al alcance de los niños.  
Guardar las herramientas y los cargadores en un lugar con una buena temperatura, menor de los 40°C.
- No abusar del cable. Nunca trasladar el cargador por el cable, ni desenchufar de un tirón. Mantener el cable alejado de sitios calientes, del aceite o piedras filosas.
- Cuando no se usa el cargador o cuando se le hace el servicio de mantenimiento e inspección, desenchufar del tomacorriente de CA el cable de alimentación del cargador.
- Usar siempre el cargador especificado.  
Nunca usar otro cargador que lo especificado, es para evitar riesgos.
- Usar sólo piezas de repuesto originales HITACHI.
- No utilizar herramientas ni el cargador para otras aplicaciones que difieran de las especificadas en el manual de instrucciones.
- El uso de cualquier recambio o accesorio que no venga recomendado en el manual de instrucciones o catálogo HITACHI puede suponer el deterioro de la máquina.
- Cuando el cable de alimentación esté dañado, deberá sustituirlo el fabricante o su agente de servicio o una persona similarmente calificada, para evitar peligros.  
La reparación de cualquier máquina debe ser facilitada por un servicio autorizado.  
El fabricante no es responsable de ningún daño o deterioro causado por la reparación que una persona no autorizada hubiese realizado, ni tampoco del maltrato de la máquina.

- Usar siempre el cargador a la tensión especificada en la placa de identificación.
- Usar siempre el cargador a la tensión especificada en la placa de identificación.
- Cargar siempre la batería antes de usar la herramienta.
- No utilizar otra batería que no sea la especificada. No conectar pilas secas, baterías de automóviles o baterías que no sean las especificadas a la herramienta.
- No usar transformador con reforzador.
- No cargar la batería con generador eléctrico ni con DC.
- Hacer siempre la carga en interiores. Como el cargador y la batería se calientan un poco durante la carga, ésta hay que hacerla en un sitio no expuesto a la luz solar directa, que tenga poca humedad y esté bien ventilado.
- El despiece presentado en el manual de instrucciones sólo debe ser utilizado por un servicio autorizado.

## PRECAUCIONES PARA EL CARGADOR

- Siempre cargar la batería a una temperatura comprendida entre 0 a 40°C. Una temperatura inferior a 0°C causa una sobrecarga, lo que es peligroso. No puede cargarse la batería a una temperatura mayor de 40°C.  
La temperatura más apropiada para cargar es la de 20 a 25°C.
- No usar el cargador continuamente.  
Cuando se completa la carga, dejar descansar el cargador por 15 minutos antes de proseguir con la carga siguiente.
- No dejar que entre suciedad por el orificio de conexión de la batería recargable.
- Nunca desarmar la batería recargable ni el cargador.
- Nunca poner en cortocircuito la batería recargable.  
Al poner en cortocircuito la batería puede producir una corriente eléctrica y enorme y por consecuencia un recalentamiento, pudiendo quemar o deteriorar la batería.
- No tirar la batería al fuego.  
Si se quema la batería puede explotar.
- El uso de una batería descargada dañará el cargador.
- Llevar la batería al sitio de compra original en el caso de que la duración de la batería recargable sea reducida al usarse. No tirar la batería descargada.
- No insertar objetos en las ranuras de ventilación del cargador.  
La inserción de objetos metálicos o inflamables en dichas ranuras puede provocar descargas eléctricas o dañar el cargador.

## ESPECIFICACIONES

### CARGADOR

Tiempo de carga	Aprox. 35 – 90 minutos
Tensión de carga	7,2 – 18 V
Peso	0,4 kg

**APLICACION**

Para carga de batería Hitachi.

- EB712S, EB7S, EB714S, FEB7S, EB7B, EB912S, EB9S, EB914S, EB914, FEB9S, EB9B, EB924, EB926H, EB930H, EB933X, EB1212S, EB12S, EB1214S, EB1214L, FEB12S, EB12B, EB1220BL, EB1224, EB1226H, EB1230H, EB1230HL, EB1230X, EB1233X EB1412S, EB1414S, EB1414, EB14B, EB1424, EB1426H, EB1430H, EB1430X, EB1433X, BCL1415, BCL1430, EBL1430, EB1812S, EB1814SL, EB18B EB1820, EB1820L, EB1824L, EB1826HL, EB1830H, EB1830HL, EB1830X, EB1833X, BCL1815, EBM1830

**CARGA**

Antes de usar la herramienta eléctrica, cargar la batería del modo siguiente:

**1. Enchufe el cable de alimentación del cargador a un tomacorriente de CA.**

Cuando haya conectado el enchufe del cargador a una toma de la red, el piloto parpadeará en rojo (A intervalos de 1 segundo).

**2. Inserte la batería en el cargador**

Inserte firmemente la batería en el cargador hasta que entre en contacto con la parte inferior del mismo, después de comprobar la polaridad como se muestra en las **Fig 1**.

**PRECAUCION:**

- Si inserta las baterías al revés, no sólo será imposible cargarlas, sino que también es posible que se produzcan problemas en el cargador, como la deformación de los terminales de carga.

**3. Carga**

Cuando inserte una batería en el cargador, el piloto permanecerá continuamente encendido en rojo. Cuando la batería se haya cargado completamente, el piloto parpadeará en rojo (A intervalos de 1 segundo). (Vea las **Tabla 1**)

**(1) Indicaciones de la lámpara indicadora**

Las indicaciones de la lámpara indicadora serán tal y como se muestran en la **Tabla 1**, de acuerdo con la condición del cargador o de la batería.

**Tabla 1**

Indicaciones de la lámpara indicadora				
Lámpara piloto (rojo)	Antes de la carga	Parpadeo	Se encenderá durante 0,5 segundos. No se encenderá durante 0,5 segundos. (Apagada durante 0,5 segundos)	/
	Durante la carga	Iluminación	Iluminación permanente	
	Carga completa	Parpadeo	Se encenderá durante 0,5 segundos. No se encenderá durante 0,5 segundos. (Apagada durante 0,5 segundos)	
	Espera por recalentamiento	Parpadeo	Se encenderá durante 1 segundo. No se encenderá durante 0,5 segundos. (Apagada durante 0,5 segundos)	

**(2) Temperatura de las baterías**

La temperatura de las baterías se muestra en la tabla siguiente, y las baterías que se hayan calentado deberán dejarse enfriar durante cierto tiempo antes de cargarlas.

**Tabla 2 Carga de las baterías que se hayan calentado**

Baterías	Temperatura con la que podrá cargarse la batería
EB712S, EB7S, EB714S, FEB7S, EB7B, EB912S, EB9S, EB914S, EB914, FEB9S, EB9B, EB924, EB1212S, EB12S, EB1214S, EB1214L, FEB12S, EB12B, EB1220BL, EB1224, EB1412S, EB1414S, EB1414, EB14B, EB1424, EB1812S, EB1814SL, EB18B EB1820, EB1820L, EB1824L	-5°C — 55°C
EB926H, EB930H, EB933X, EB1226H, EB1230H, EB1230HL, EB1230X, EB1233X, EB1426H, EB1430H, EB1430X, EB1433X, EB1826HL, EB1830H, EB1830HL, EB1830X, EB1833X	-5°C — 50°C
BCL1415, BCL1430, EBL1430, BCL1815, EBM1830	0°C — 50°C

## (3) Tiempo de recarga

En la **Tabla 3** se muestra el tiempo de recarga requerido de acuerdo con el tipo de batería.

**Tabla 3** Tiempo de recarga (min. aprox.) a 20°C

Tensión de la batería (V)		Capacidad de la batería (Ah)										
		BATERÍA de Ni-Cd (níquel-cadmio)					BATERÍA de Ni-MH (níquel-hidruro metálico)					
		1,2-1,4 Ah		2,0 Ah		2,4 Ah		2,6 Ah		3,0 Ah		3,3 Ah
7,2V	EB712S EB7S EB714S FEB7S (6 celdas)	35min.	EB7B (6 celdas)	60min.	—	—	—	—	—	—	—	—
9,6V	EB912S EB914S EB9S EB914 FEB9S (8 celdas)	35min.	EB9B (8 celdas)	60min.	EB924 (8 celdas)	70min.	EB926H (8 celdas)	80min.	EB930H (8 celdas)	90min.	EB933X (8 celdas)	90min.
12V	EB12S EB1212S EB1214S EB1214L FEB12S (10 celdas)	35min.	EB12B EB120BL (10 celdas)	60min.	EB1224 (10 celdas)	70min.	EB1226H (10 celdas)	80min.	EB1230H EB1230HL EB1230X (10 celdas)	90min.	EB1233X (10 celdas)	90min.
14,4V	EB1412S EB1414S EB1414 (12 celdas)	35min.	EB14B (12 celdas)	60min.	EB1424 (12 celdas)	70min.	EB1426H (12 celdas)	80min.	EB1430H EB1430X (12 celdas)	90min.	EB1433X (12 celdas)	90min.
18V	EB1812S EB1814SL (15 celdas)	35min.	EB18B EB1820L EB1820 (15 celdas)	60min.	EB1824L (15 celdas)	70min.	EB1826HL (15 celdas)	80min.	EB1830H EB1830HL EB1830X (15 celdas)	90min.	EB1833X (15 celdas)	90min.

Tensión de la batería (V)		Capacit� de batterie (Ah)			
		BATERÍA de ion de litio			
		1,5 Ah		3,0 Ah	
14,4V	BCL1415 (4 celdas)	40min.	BCL1430 (8 celdas) EBL1430 (4 celdas)	90min.	
18V	BCL1815 (5 celdas)	40min.	EBM1830 (10 celdas)	90min.	

**NOTA:** El tiempo de recarga puede variar de acuerdo con la temperatura ambiental.

#### 4. Desenchufe el cable de alimentaci n del cargador del tomacorriente de CA.

#### 5. Sostenga el cargador firmemente y saque la bater a.

##### NOTA

Aseg rese de extraer la bater a del cargador despu s del uso, y gu rdela despu s.

#### Forma de hacer que las bater as duren m s

- Recargue las bater as antes de que se hayan agotado completamente.  
Si siente que la potencia de la herramienta el ctrica se debilita, deje de utilizarla y recargue su bater a. Si continuase utilizando la herramienta hasta agotar la capacidad de la bater a,  sta podr a da arse y su duraci n  til podr a acortarse.
- Evite realizar la recarga a altas temperaturas  
Una bater a se calentará inmediatamente despu s de haberla utilizado. Si recargase tal bater a inmediatamente despu s de haberla utilizado, su substancia qu mica interna se deteriorar a, y la duraci n  til de la bater a se acortar a. Deje la bater a y rec rguela despu s de que se haya enfriado durante cierto tiempo.

#### Descarga el ctrica en caso de bater as nuevas, etc.

Como la substancia qu mica interna de las bater as nuevas o las que no se hayan utilizado durante mucho tiempo no est  activada, la descarga el ctrica puede ser inferior cuando se utilicen por primera y segunda vez. Este fen meno es temporal, y el tiempo normal requerido para la recarga se restablecer  recargando las bater as 2-3 veces.

## PRECAUCION

- Si carga la batería mientras esté caliente por haber estado mucho tiempo en un lugar sometido a la luz solar directa, o por haber acabado de utilizarla, la lámpara de piloto del cargador parpadea durante 1 segundo y no se enciende durante 0,5 segundos (apagada durante 0,5 segundos). En tales casos, deje primero que se enfríe la batería e inicie luego la carga.
- Como el microprocesador incorporado tarda 3 segundos en confirmar que la batería que estaba cargándose con el UC18YGL2 se ha extraído, espere 3 segundos como mínimo antes de reinsertarla para continuar cargando.  
Si reinserta la batería antes de 3 segundos, es posible que no se cargue adecuadamente.

---

## MANTENIMIENTO E INSPECCION

---

- 1. Inspeccionar los tornillos de montaje:**  
Regularmente inspeccionar todos los tornillos de montaje y asegurarse de que estén apretados firmemente. Si cualquier tornillo estuviese suelto, volver a apretarlo inmediatamente. El no hacer esto provocaría un riesgo serio.
- 2. Limpieza del cargador**  
Cuando el cargador esté sucio, limpiarlo con un paño suave y seco o con un paño mojado en agua jabonosa. No utilizar disolventes clóricos, gasolina o disolventes para pinturas ya que éstos funden los materiales plásticos.
- 3. Almacenamiento del cargador sin usar**  
Cuando no use el cargador, guardarlo en un lugar seco, alto o cerrado, fuera del alcance de los niños.
- 4. Lista de repuestos**  
A: N°. ítem  
B: N°. código  
C: N°. usado  
D: Observaciones

## PRECAUCION

La reparación, modificación e inspección de las herramientas eléctricas Hitachi deben ser realizadas por un Centro de Servicio Autorizado de Hitachi. Esta lista de repuestos será de utilidad si es presentada junto con la herramienta al Centro de Servicio Autorizado de Hitachi, para solicitar la reparación o cualquier otro tipo de mantenimiento. En el manejo y el mantenimiento de las herramientas eléctricas, se deberán observar las normas y reglamentos vigentes en cada país.

## MODIFICACIONES

Hitachi Power Tools introduce constantemente mejoras y modificaciones para incorporar los últimos avances tecnológicos.  
Por consiguiente, algunas partes (por ejemplo, números de códigos y/o diseño) pueden ser modificadas sin previo aviso.

---

## OBSERVACION

Debido al programa continuo de investigación y desarrollo de HITACHI estas especificaciones están sujetas a cambio sin previo aviso.

---



## PERCAUÇÕES GERAIS QUANTO À OPERAÇÃO

1. Mantenha o local de trabalho arrumado. A desordem no local de trabalho e nas bancadas pode ser motivo de acidente.
2. Evite ambientes perigosos. Não exponha as ferramentas elétricas à chuva. Não utilize ferramentas elétricas em locais úmidos ou molhados. Trabalhe em local bem iluminado. Nunca utilize ferramentas elétricas em locais onde haja risco de incêndios ou explosões.  
Não utilize ferramenta e recarregador na presença de líquidos ou gases inflamáveis.
3. O aparelho não se destina ao uso por crianças pequenas ou por pessoas enfermas sem supervisão. As crianças pequenas devem ser supervisionadas para que não brinquem com o aparelho. Os estranhos devem ser mantidos a uma distância segura da área de trabalho.
4. Guarde as ferramentas e recarregador que não estão sendo utilizados. Quando não estiverem sendo usados, o recarregador e as ferramentas e devem ficar guardados em local seco, alto ou fechado - fora do alcance de crianças. Guarde as ferramentas e o recarregador num local cuja temperatura seja de menos de 40°C.
5. Não force o cabo elétrico. Nunca transporte o recarregador pelo cabo e não o puxe para tirar o plugue da tomada. Proteja o cabo contra o calor e evite o seu contato com óleo e bordas afiadas.
6. Quando não estiver sendo usado ou quando estiver recebendo manutenção e inspeção, desconecte o cabo de alimentação do recarregador da tomada.
7. Para evitar perigo, use sempre somente o recarregador especificado.
8. Utilize apenas peças sobressalentes originais HITACHI.
9. Não utilize ferramentas elétricas e o recarregador em trabalhos diferentes dos especificados nas Instruções de Manuseio.
10. Para evitar ferimentos corporais, use somente os acessórios e complementos recomendados neste manual de instruções ou no catálogo da HITACHI.
11. Se estiver danificado, o cabo de alimentação deve ser substituído pela fábrica ou por oficina autorizada, mas o serviço também pode ser feito por um técnico qualificado a fim de evitar maiores danos. O conserto deve ser feito apenas por uma oficina autorizada. O fabricante não se responsabiliza por quaisquer danos ou ferimentos causados pelo conserto por parte de pessoas não autorizadas ou pelo manejo incorreto da ferramenta.
12. Para garantir a integridade operacional indicada das ferramentas elétricas e do recarregador, não retire os protetores ou parafusos instalados.
13. Utilize sempre o recarregador na voltagem especificada na placa identificadora.
14. Recarregue sempre a bateria antes de usar a ferramenta.
15. Não utilize nenhuma outra bateria diferente da especificada. Não conecte a ferramenta elétrica a uma pilha seca normal, a uma bateria recarregável diferente da especificada nem a uma bateria de carro.
16. Não utilize um transformador que contenha um reforçador.

17. Não recarregue a bateria com eletricidade de um gerador de motor elétrico nem de rede elétrica de corrente contínua.
18. Recarregue sempre a bateria em locais fechados. Como o recarregador e a bateria se aquecem ligeiramente durante a recarga, recarregue a bateria num local não exposto à luz direta do sol e que seja bem ventilado e com pouca umidade.
19. O desenho pormenorizado da montagem da ferramenta contido nestas instruções de uso deve ser utilizado apenas pelas oficinas autorizadas.

## CUIDADOS QUANTO AO RECARREGADOR

1. Recarregue sempre a bateria numa temperatura entre 0° C e 40° C. Uma temperatura de menos de 0° C provocará uma recarga excessiva, o que é perigoso. Enquanto que numa temperatura acima de 40°C, a bateria não pode ser recarregada. A temperatura mais apropriada para a recarga é entre 20°C e 25° C.
2. O recarregador não deve ser usado continuamente. Quando terminar uma recarga, libere o recarregador por cerca de 15 minutos antes da próxima recarga da bateria.
3. Não deixe que materiais estranhos entrem no orifício de conexão da bateria recarregável.
4. Não desmonte nunca a bateria recarregável nem o recarregador.
5. Nunca provoque curto-circuito na bateria recarregável. Ao fazer isso, a bateria provocará uma grande corrente elétrica e um sobreaquecimento, podendo resultar em queima ou danos à bateria.
6. Não jogue a bateria no fogo. Queimando-se, ela pode explodir.
7. O uso de uma bateria velha pode danificar o recarregador.
8. Leve a bateria à loja onde você a comprou assim que a vida útil da bateria após a recarga começar a ficar muito curta para uso prático. Não descarte a bateria velha.
9. Não insira nenhum objeto nas aberturas de ventilação do recarregador. A inserção de objetos metálicos ou inflamáveis nas aberturas de ventilação do recarregador pode causar choques elétricos ou danificar o recarregador.

## ESPECIFICAÇÕES

### RECARREGADOR

Tempo de recarga	Aprox. 35 – 90 min.
Voltagem para recarga	7,2 – 18 V
Peso	0,4 kg

### APLICAÇÃO

Para recarregar a BATERIA HITACHI

- EB712S, EB7S, EB714S, FEB7S, EB7B, EB912S, EB9S, EB914S, EB914, FEB9S, EB9B, EB924, EB926H, EB930H, EB933X, EB1212S, EB12S, EB1214S, EB1214L, FEB12S, EB12B, EB1220BL, EB1224, EB1226H, EB1230H, EB1230HL, EB1230X, EB1233X, EB1412S, EB1414S, EB1414, EB14B, EB1424, EB1426H, EB1430H, EB1430X, EB1433X, BCL1415, BCL1430, EBL1430, EB1812S, EB1814SL, EB18B, EB1820, EB1820L, EB1824L, EB1826HL, EB1830H, EB1830HL, EB1830X, EB1833X, BCL1815, EBM1830

### RECARGA

Antes de usar a ferramenta elétrica, recarregue a bateria da seguinte forma.

#### 1. Conecte o cabo de eletricidade do recarregador na tomada.

Ao ligar a ficha do carregador a uma tomada, a lâmpada avisadora piscará a vermelho (Em intervalos de 1 segundo).

#### 2. Insira a bateria no recarregador.

Insira firmemente a bateria no recarregador até que ela entre em contato com o fundo do recarregador, se certificando que as polaridades estão corretas, como mostra a **Fig. 1**.

#### ATENÇÃO

- Se a bateria for inserida na direção inversa, não somente será impossível recarregá-la como também pode causar problemas no recarregador como, por exemplo, deformação no terminal de recarga.

#### 3. Recarga

Ao inserir a bateria no carregador, a luz avisadora acender-se-á continuamente a vermelho.

Quando a bateria ficar completamente recarregada, a luz avisadora piscará a vermelho (Em intervalos de 1 segundo). (Veja **Tabela 1**)

#### (1) Indicação da lâmpada piloto

As indicações da lâmpada piloto serão apresentadas na **Tabela 1**, de acordo com a condição do carregador ou a bateria recarregável.

Tabela 1

		Indicações da lâmpada piloto		
Lâmpada piloto (vermelha)	Antes da recarga	Pisca	Acende-se por 0,5 segundo. Não se acende por 0,5 segundo. (desliga-se por 0,5 segundo)	/
	Durante a recarga	Acende	Fica continuamente acesa	
	Recarga completa	Pisca	Acende-se por 0,5 segundo. Não se acende por 0,5 segundo. (desliga-se por 0,5 segundo)	
	Standby em caso de sobreaquecimento	Pisca	Acende-se por 1 segundo. Não se acende por 0,5 segundo. (desliga-se por 0,5 segundo)	

#### (2) Quanto a temperaturas da bateria recarregável.

As temperaturas das baterias recarregáveis são as mostradas na tabela abaixo. As baterias que se aqueceram devem ser esfriadas por um tempo antes de serem recarregadas.

Tabela 2

Baterias recarregáveis	Temperaturas nas quais a bateria pode ser recarregada
EB712S, EB7S, EB714S, FEB7S, EB7B, EB912S, EB9S, EB914S, EB914, FEB9S, EB9B, EB924, EB1212S, EB12S, EB1214S, EB1214L, FEB12S, EB12B, EB1220BL, EB1224, EB1412S, EB1414S, EB1414, EB14B, EB1424, EB1812S, EB1814SL, EB18B, EB1820, EB1820L, EB1824L	-5°C — 55°C
EB926H, EB930H, EB933X, EB1226H, EB1230H, EB1230HL, EB1230X, EB1233X, EB1426H, EB1430H, EB1430X, EB1433X, EB1826HL, EB1830H, EB1830HL, EB1830X, EB1833X	-5°C — 50°C
BCL1415, BCL1430, EBL1430, BCL1815, EBM1830	0°C — 50°C

(3) A respeito do tempo de recarga

A Tabela 3 mostra o tempo de recarga necessário de acordo com o tipo de bateria.

Tabela 3 Tempo de recarga (em min. aprox.) a 20° C

Voltagem da bateria (V)	Capacidade da bateria (Ah)											
	BATERIA Ni-Cd						BATERIA Ni-MH					
	1,2–1,4 Ah		2,0 Ah		2,4 Ah		2,6 Ah		3,0 Ah		3,3 Ah	
7,2V	EB712S EB7S EB714S FEB7S (6 células)	35min.	EB7B (6 células)	60min.	—	—	—	—	—	—	—	
9,6V	EB912S EB914S EB9S EB914 FEB9S (8 células)	35min.	EB9B (8 células)	60min.	EB924 (8 células)	70min.	EB926H (8 células)	80min.	EB930H (8 células)	90min.	EB933X (8 células)	90min.
12V	EB12S EB1212S EB1214S EB1214L FEB12S (10 células)	35min.	EB12B EB1220BL (10 células)	60min.	EB1224 (10 células)	70min.	EB1226H (10 células)	80min.	EB1230H EB1230HL EB1230X (10 células)	90min.	EB1233X (10 células)	90min.
14,4V	EB1412S EB1414S EB1414 (12 células)	35min.	EB14B (12 células)	60min.	EB1424 (12 células)	70min.	EB1426H (12 células)	80min.	EB1430H EB1430X (12 células)	90min.	EB1433X (12 células)	90min.
18V	EB1812S EB1814SL (15 células)	35min.	EB18B EB1820L EB1820 (15 células)	60min.	EB1824L (15 células)	70min.	EB1826HL (15 células)	80min.	EB1830H EB1830HL EB1830X (15 células)	90min.	EB1833X (15 células)	90min.

Voltagem da bateria (V)	Capacidade da bateria (Ah)			
	BATERIA Li-ion			
	1,5 Ah		3,0 Ah	
14,4V	BCL1415 (4 células)	40min.	BCL1430 (8 células) EBL1430 (4 células)	90min.
18V	BCL1815 (5 células)	40min.	EBM1830 (10 células)	90min.

**NOTA** O tempo de carga pode variar de acordo com a temperatura ambiente.

4. **Desconecte da tomada o cabo de energia do recarregador.**
5. **Segure o recarregador firmemente e puxe a bateria para fora.**

#### NOTA

Não esqueça de retirar a bateria do recarregador depois da utilização e de guardá-la de forma correta.

#### Quanto à descarga elétrica no caso de novas baterias, etc.

Como a substância química interna das novas baterias e daquelas que não foram usadas por um prolongado período não está ativada, pode haver uma pequena descarga elétrica ao usá-las pela primeira e segunda vezes. Este fenômeno é temporário e o tempo normal requerido para a recarga será restabelecido depois de recarregar a bateria umas duas ou três vezes.

#### Como prolongar a vida útil das baterias

- (1) Recarregue as baterias antes que elas se descarreguem completamente. Quando sentir que a potência da ferramenta enfraquece, pare de usá-la e recarregue a bateria. Se continuar a usar a ferramenta e descarregar a corrente elétrica, a bateria pode se danificar e sua vida útil ficará menor.
- (2) Evite fazer a recarga em altas temperaturas. A bateria recarregável se aquece imediatamente depois do uso. Se for recarregada imediatamente depois de ter sido usada, sua substância química interna pode deteriorar e sua vida útil pode diminuir. Deixe a bateria descansar e recarregue-a somente depois que tiver esfriado por algum tempo.

#### ATENÇÃO

- Se a bateria for carregada enquanto estiver quente por ter permanecido por um longo tempo em local sujeito à luz directa do sol, ou porque acabou de ser usada, a lâmpada piloto do carregador pisca acendendo-se durante 1 segundo e não se acende durante 0,5 segundos (apagada durante 0,5 segundos). Nesse caso, primeiro deixe a bateria esfriar para depois iniciar a recarga.
- Como o microcomputador integrado leva cerca de 3 segundos para confirmar se a bateria que está sendo recarregada com UC18YGL2 foi retirada, espere no mínimo 3 segundos antes de reinseri-la para que continue a ser recarregada. Caso seja reinserida dentro de 3 segundos, ela pode não estar sendo recarregada de maneira correta.

## MANUTENÇÃO E INSPEÇÃO

### 1. Inspeção dos parafusos de fixação

Inspeccione regularmente todos os parafusos de fixação e se certifique de que estão corretamente apertados. Caso algum parafuso se afrouxe, reaperte-o imediatamente, do contrário existe risco de graves problemas.

### 2. Limpeza do recarregador

Quando o recarregador estiver manchado, limpe-o com um pano macio e seco ou com um pano umedecido com água com sabão. Não utilize solventes clorídricos, gasolina ou solventes de tinta, pois eles derretem plásticos.

### 3. Armazenamento do recarregador

Quando não estiver em uso, o recarregador deve ser guardado em local seco, alto e trancado, fora do alcance de crianças.

### 4. Lista de peças para conserto

- A: Item N°
- B: Código N°
- C: N° Usado
- D: Observações

#### CUIDADO

Consertos, modificações e inspeção de Ferramentas Elétricas da Hitachi devem ser realizados por uma Oficina Autorizada da Hitachi.

Esta lista de peças pode ser útil se apresentada com a ferramenta na Oficina Autorizada da Hitachi ao solicitar conserto ou manutenção.

Na operação e na manutenção das ferramentas elétricas, devem-se observar as normas de segurança e os padrões prescritos por cada país.

#### MODIFICAÇÃO

As Ferramentas Elétricas da Hitachi estão sempre sendo aperfeiçoadas e modificadas para incorporar os mais recentes avanços tecnológicos.

Dessa forma, algumas peças (isto é, números de código e/ou design) podem mudar sem aviso prévio.

#### NOTA

Devido ao contínuo programa de pesquisa e desenvolvimento da HITACHI, as especificações aqui contidas estão sujeitas a mudanças sem aviso prévio.

## ΓΕΝΙΚΑ ΜΕΤΡΑ ΠΡΟΦΥΛΑΞΗΣ ΓΙΑ ΤΗ ΛΕΙΤΟΥΡΓΙΑ

1. Κρατήστε το χώρο εργασίας καθαρό. Οι γεμάτοι χώροι και οι πάγκοι προκαλούν ατυχήματα.
2. Αποφύγετε το επικίνδυνο περιβάλλον. Μην εκθέσετε τα ηλεκτρικά εργαλεία και το φορτιστή στη βροχή. Μην χρησιμοποιήσετε το ηλεκτρικό εργαλείο και το φορτιστή σε νοτισμένες ή σε υγρές περιοχές. Και κρατήστε το χώρο εργασίας καλά φωτισμένο. Ποτέ μην χρησιμοποιήσετε τα ηλεκτρικά εργαλεία και το φορτιστή κοντά σε εύφλεκτα υλικά. Μην χρησιμοποιήσετε το εργαλείο και το φορτιστή όταν υπάρχουν εύφλεκτα υγρά ή αέρια.
3. Η συσκευή δεν προορίζεται για χρήση από μικρά παιδιά ή από ασθενή άτομα χωρίς επίβλεψη. Τα μικρά παιδιά πρέπει να επιβλέπονται για να διασφαλιστεί ότι δεν παίζουν με την συσκευή. Όλοι οι επισκέπτες πρέπει να βρίσκονται σε μια απόσταση ασφαλείας από την περιοχή εργασίας.
4. Αποθηκεύστε τα εργαλεία που δεν βρίσκονται σε χρήση και το φορτιστή. Όταν δεν βρίσκεται σε χρήση, τα εργαλεία και ο φορτιστής πρέπει να αποθηκεύονται σε ένα ξηρό, υψηλό ή κλειδωμένο μέρος-μακριά από την πρόσβαση των παιδιών. Αποθηκεύστε τα εργαλεία και το φορτιστή σε ένα χώρο στον οποίο η θερμοκρασία είναι μικρότερη από 40°C.
5. Μην ακίσετε βία στο καλώδιο. Ποτέ μην μεταφέρετε το φορτιστή από το καλώδιο ή το τραβάτε με δύναμη για να το αποσυνδέσετε από τη μπρίζα. Κρατήστε το καλώδιο μακριά από τη θερμότητα, το λάδι και τις κοφτερές γωνίες.
6. Όταν ο φορτιστής δεν βρίσκεται σε χρήση ή όταν υπόκεινται σε συντήρηση ή έλεγχο, αποσυνδέστε το καλώδιο του ρεύματος του φορτιστή από την πρίζα.
7. Για να αποφύγετε τον κίνδυνο, πάντοτε να χρησιμοποιείτε μόνο τον ενδεικνυόμενο φορτιστή.
8. Χρησιμοποιήστε μόνο αυθεντικά ανταλλακτικά HITACHI.
9. Μην χρησιμοποιήσετε τα ηλεκτρικά εργαλεία και το φορτιστή για εφαρμογές διαφορετικές από αυτές που καθορίζονται στις Οδηγίες Χειρισμού.
10. Για να αποφύγετε τον προσωπικό τραυματισμό, χρησιμοποιείτε μόνο τα εξαρτήματα ή προσαρτήματα που συνιστώνται σε αυτές τις οδηγίες χειρισμού ή στον κατάλογο HITACHI.
11. Αν το καλώδιο παροχής ρεύματος υποστεί ζημιά, πρέπει να αντικατασταθεί από τον κατασκευαστή ή από τον αντιπρόσωπό του σέρβις ή από πρόσωπα με παρόμοια προσόντα για την αποφυγή του κινδύνου. Επιτρέψτε μόνο σε ένα εξουσιοδοτημένο κέντρο σέρβις να κάνει την επισκευή. Ο Κατασκευαστής δεν είναι υπεύθυνος για την οποιαδήποτε ζημιά ή τραυματισμούς που προκαλούνται από την επισκευή από μη εξουσιοδοτημένα πρόσωπα ή από κακό χειρισμό του εργαλείου.
12. Για την διασφάλιση της σχεδιασμένης λειτουργικής ακεραιότητας των ηλεκτρικών εργαλείων και του φορτιστή, μην αφαιρέσετε τα εγκαταστημένα καλύμματα και τις βίδες.
13. Πάντοτε να χρησιμοποιείτε τον φορτιστή στην τάση που καθορίζεται στην πινακίδα.

14. Πάντοτε να φορτίζετε τη μπαταρία πριν από τη χρήση.
15. Ποτέ μην χρησιμοποιήσετε άλλη μπαταρία εκτός από αυτή που καθορίζεται. Μην συνδέσετε ένα συνηθισμένο ξηρό στοιχείο, μια επαναφορτιζόμενη μπαταρία διαφορετική από αυτή που καθορίζεται ή μια μπαταρία αυτοκινήτου στο ηλεκτρικό εργαλείο.
16. Μην χρησιμοποιήσετε ένα μετασχηματιστή που περιέχει ένα ενισχυτή.
17. Μην φορτίσετε την μπαταρία από μια ηλεκτρική γεννήτρια μηχανής ή από μια πηγή παροχής συνεχούς ρεύματος DC.
18. Πάντοτε να φορτίζετε σε εσωτερικό χώρο. Καθώς η μπαταρία και ο φορτιστής θερμαίνονται ελαφρά κατά τη φόρτιση, φορτίστε τη μπαταρία σε ένα χώρο που δεν είναι εκτεθειμένος στο απευθείας ηλιακό φως, ο οποίος έχει χαμηλή υγρασία και είναι καλά αεριζόμενος.
19. Το μεγεθυμένο σχεδιάγραμμα συναρμολόγησης σε αυτές τις οδηγίες χειρισμού πρέπει να χρησιμοποιείται μόνο για το επιτρεπόμενο σέρβις.

## ΠΡΟΦΥΛΑΚΤΙΚΑ ΜΕΤΡΑ ΓΙΑ ΤΟ ΦΟΡΤΙΣΤΗ

1. Πάντοτε φορτίζετε την μπαταρία σε θερμοκρασία ανάμεσα 0 – 40°C. Μια θερμοκρασία μικρότερη από 0°C θα προκαλέσει την υπερφόρτιση που είναι επικίνδυνη. Η μπαταρία δεν μπορεί να φορτιστεί σε θερμοκρασία μεγαλύτερη από 40°C. Η πιο κατάλληλη θερμοκρασία για φόρτιση είναι αυτή των 20 – 25°C.
2. Μην χρησιμοποιείτε τον φορτιστή συνέχεια. Όταν η μια φόρτιση ολοκληρωθεί, αφήστε το φορτιστή για 15 λεπτά πριν από την επόμενη φόρτιση μπαταρίας.
3. Μην αφήσετε ξένα υλικά να μπουν στην τρύπα σύνδεσης της επαναφορτιζόμενης μπαταρίας.
4. Ποτέ μην αποσυναρμολογήσετε την επαναφορτιζόμενη μπαταρία και το φορτιστή.
5. Ποτέ μην βραχυκυκλώσετε την επαναφορτιζόμενη μπαταρία μπαταρία. Το βραχυκύκλωμα της μπαταρίας θα προκαλέσει ένα μεγάλο ηλεκτρικό ρεύμα και υπερθέρμανση. Προκαλεί το κάψιμο ή την υπερθέρμανση της μπαταρίας.
6. Μην πετάξετε την μπαταρία στη φωτιά. Αν η μπαταρία καεί μπορεί να εκραγεί.
7. Η χρησιμοποίηση μια εξασθενημένης μπαταρίας θα προκαλέσει βλάβη στο φορτιστή.
8. Πηγαίνετε την μπαταρία στο κατάστημα από το οποίο την αγοράσατε όταν η διάρκεια ζωής της μπαταρίας μετά από την φόρτιση έχει γίνει πολύ μικρή για πρακτική χρήση. Μην πετάξετε την τελειωμένη μπαταρία.
9. Μην βάλτε κανένα αντικείμενο μέσα στις τρύπες εξερισμού του φορτιστή. Η είσοδος μεταλλικών αντικειμένων ή εύφλεκτων υλικών στις τρύπες εξερισμού του φορτιστή θα προκαλέσει τον κίνδυνο ηλεκτροπληξίας ή την καταστροφή του φορτιστή.

## ΤΕΧΝΙΚΑ ΧΑΡΑΚΤΗΡΙΣΤΙΚΑ

## ΦΟΡΤΙΣΤΗΣ

Χρόνος φόρτισης	Κατά προσέγγιση 35 – 90 min.
Τάση φόρτισης	7,2 – 18 V
Βάρος	0,4 kg

## ΕΦΑΡΜΟΓΗ

Για φόρτιση της ΜΠΑΤΑΡΙΑΣ HITACHI

- EB712S, EB7S, EB714S, FEB7S, EB7B, EB912S, EB9S, EB914S, EB914, FEB9S, EB9B, EB924, EB926H, EB930H, EB933X, EB1212S, EB12S, EB1214S, EB1214L, FEB12S, EB12B, EB1220BL, EB1224, EB1226H, EB1230H, EB1230HL, EB1230X, EB1233X, EB1412S, EB1414S, EB1414, EB14B, EB1424, EB1426H, EB1430H, EB1430X, EB1433X, BCL1415, BCL1430, EBL1430, EB1812S, EB1814SL, EB18B, EB1820, EB1820L, EB1824L, EB1826HL, EB1830H, EB1830HL, EB1830X, EB1833X, BCL1815, EBM1830

## ΦΟΡΤΙΣΗ

Πριν χρησιμοποιήσετε το ηλεκτρικό εργαλείο, φορτίστε τη μπαταρία ως ακολούθως.

**1. Συνδέστε το καλώδιο ρεύματος του φορτιστή στην πρίζα.**

Κατά τη σύνδεση του βύσματος του φορτιστή στην πρίζα, η ενδεικτική λυχνία θα αναβοσβήνει με κόκκινο χρώμα. (Κατά διαστήματα ενός δευτερολέπτου)

**2. Βάλτε την μπαταρία μέσα στο φορτιστή**

Βάλτε καλά την μπαταρία μέσα στο φορτιστή μέχρι να έρθει σε επαφή με το πάτο του φορτιστή και ελέγξτε τις πολικότητες όπως δείχνεται στην **Εικ. 1**.

**ΠΡΟΣΟΧΗ:**

- Αν η μπαταρία τοποθετηθεί μέσα με αντίθετη φορά όχι μόνο η επαναφόρτιση δεν θα είναι δυνατή, αλλά ενδέχεται να δημιουργήσει προβλήματα στο φορτιστή όπως τη παραμόρφωση των ακροδεκτών επαναφόρτισης.

**3. Φόρτιση**

Όταν βάλετε την μπαταρία στο φορτιστή, η ενδεικτική λυχνία θα ανάβει συνεχόμενα με κόκκινο χρώμα.

Όταν η μπαταρία φορτιστεί πλήρως, η ενδεικτική λυχνία θα αναβοσβήνει με κόκκινο χρώμα. (Κατά διαστήματα του 1 δευτερολέπτου). (**Δείτε Πίνακα 1**)

- (1) Ένδειξη πιλοτικής λυχνίας

Οι ενδείξεις της λυχνίας ελέγχου θα είναι όπως φαίνεται στον **Πίνακα 1**, σύμφωνα με την κατάσταση του φορτιστή ή της επαναφορτιζόμενης μπαταρίας.

**Πίνακας 1**

		Ενδείξεις λυχνίας ελέγχου		
Δοκιμαστική λάμπα (κόκκινη)	Πριν τη φόρτιση	Αναβοσβήνει	Ανάβει για 0,5 δευτερόλεπτα. Δεν ανάβει για 0,5 δευτερόλεπτα. (κλειστό για 0,5 δευτερόλεπτα)	
	Κατά τη φόρτιση	Ανάβει	Ανάβει συνεχώς	
	Ολοκλήρωση φόρτισης	Αναβοσβήνει	Ανάβει για 0,5 δευτερόλεπτα. Δεν ανάβει για 0,5 δευτερόλεπτα. (κλειστό για 0,5 δευτερόλεπτα)	
	Αναμένεται υπερθέρμανση μπαταρίας	Αναβοσβήνει	Ανάβει για 1 δευτερόλεπτα. Δεν ανάβει για 0,5 δευτερόλεπτα. (κλειστό για 0,5 δευτερόλεπτα)	Υπερθέρμανση μπαταρίας. Αδυναμία μετατροπής (η μετατροπή θα είναι εφικτή μόλις κρυώσει η μπαταρία).

(2) Σχετικά με τη θερμοκρασία της επαναφορτιζόμενης μπαταρίας.

Οι θερμοκρασίες των επαναφορτιζόμενων μπαταριών δείχνονται στον παρακάτω πίνακα, και οι μπαταρίες που έχουν ζεσταθεί πρέπει να κρυώσουν για κάποιο μικρό χρονικό διάστημα πριν επαναφορτιστούν.

Πίνακας 2

Επαναφορτιζόμενες μπαταρία	Θερμοκρασίες στις οποίες η μπαταρία μπορεί να φορτιστεί
EB712S, EB7S, EB714S, FEB7S, EB7B, EB912S, EB9S, EB914S, EB914, FEB9S, EB9B, EB924, EB1212S, EB12S, EB1214S, EB1214L, FEB12S, EB12B, EB1220BL, EB1224, EB1412S, EB1414S, EB1414, EB14B, EB1424, EB1812S, EB1814SL, EB18B EB1820, EB1820L, EB1824L	-5°C — 55°C
EB926H, EB930H, EB933X, EB1226H, EB1230H, EB1230HL, EB1230X, EB1233X, EB1426H, EB1430H, EB1430X, EB1433X, EB1826HL, EB1830H, EB1830HL, EB1830X, EB1833X	-5°C — 50°C
BCL1415, BCL1430, EBL1430, BCL1815, EBM1830	0°C — 50°C

(3) Σχετικά με το χρόνο φόρτισης

Ο Πίνακας 3 δείχνει τον απαιτούμενο χρόνο φόρτισης σύμφωνα με τον τύπο της μπαταρίας.

Πίνακας 3 Χρόνος φόρτισης (κατά προσέγγιση λεπτά) στους 20°C

Τάση μπαταρίας (V)	Χωρητικότητα μπαταρίας (Ah)											
	ΜΠΑΤΑΡΙΑ Ni-Cd						ΜΠΑΤΑΡΙΑ Ni-MH					
	1,2-1,4 Ah		2,0 Ah		2,4 Ah		2,6 Ah		3,0 Ah		3,3 Ah	
7,2V	EB712S EB7S EB714S FEB7S (6 στοιχεία)	35min.	EB7B (6 στοιχεία)	60min.	—	—	—	—	—	—	—	—
9,6V	EB912S EB914S EB9S EB914 FEB9S (8 στοιχεία)	35min.	EB9B (8 στοιχεία)	60min.	EB924 (8 στοιχεία)	70min.	EB926H (8 στοιχεία)	80min.	EB930H (8 στοιχεία)	90min.	EB933X (8 στοιχεία)	90min.
12V	EB12S EB1212S EB1214S EB1214L FEB12S (10 στοιχεία)	35min.	EB12B EB1220BL (10 στοιχεία)	60min.	EB1224 (10 στοιχεία)	70min.	EB1226H (10 στοιχεία)	80min.	EB1230H EB1230HL EB1230X (10 στοιχεία)	90min.	EB1233X (10 στοιχεία)	90min.
14,4V	EB1412S EB1414S EB1414 (12 στοιχεία)	35min.	EB14B (12 στοιχεία)	60min.	EB1424 (12 στοιχεία)	70min.	EB1426H (12 στοιχεία)	80min.	EB1430H EB1430X (12 στοιχεία)	90min.	EB1433X (12 στοιχεία)	90min.
18V	EB1812S EB1814SL (15 στοιχεία)	35min.	EB18B EB1820L EB1820 (15 στοιχεία)	60min.	EB1824L (15 στοιχεία)	70min.	EB1826HL (15 στοιχεία)	80min.	EB1830H EB1830HL EB1830X (15 στοιχεία)	90min.	EB1833X (15 στοιχεία)	90min.

Τάση μπαταρίας (V)	Χωρητικότητα μπαταρίας (Ah)			
	ΜΠΑΤΑΡΙΑ Li-ion			
	1,5 Ah		3,0 Ah	
14,4V	BCL1415 (4 στοιχεία)	40min.	BCL1430 (8 στοιχεία) EBL1430 (4 cells)	90min.
18V	BCL1815 (5 στοιχεία)	40min.	EBM1830 (10 στοιχεία)	90min.

**ΣΗΜΕΙΩΣΗ:** Ο χρόνος φόρτισης ενδέχεται να διαφέρει ανάλογα με τη θερμοκρασία του περιβάλλοντος.

4. Αποσυνδέστε το ηλεκτρικό καλώδιο του φορτιστή από την πηγή εναλλασσόμενου ρεύματος AC.
5. Κρατήστε το φορτιστή σταθερά και τραβήξτε τη μπαταρία.

## ΣΗΜΕΙΩΣΗ

Σιγουρευτείτε να τραβήξετε έξω την μπαταρία από το φορτιστή μετά την χρήση και μετά φυλάξτε την.

### Αναφορικά με την ηλεκτρική εκκένωση στην περίπτωση των καινούργιων μπαταριών. κλπ.

Καθώς το εσωτερικό χημικό στοιχείο των καινούργιων μπαταριών και των μπαταριών που δεν έχουν χρησιμοποιηθεί για μακρό χρονικό διάστημα δεν είναι ενεργό, η ηλεκτρική εκκένωση ενδέχεται να είναι χαμηλή όταν τις χρησιμοποιείτε για πρώτη και δεύτερη φορά. Αυτό είναι ένα προσωρινό φαινόμενο, και ο κανονικός χρόνος που απαιτείται για την επαναφόρτιση θα επαναφερθεί με το να επαναφορτίσετε τις μπαταρίες 2-3 φορές.

### Πώς να κάνετε τις μπαταρίες να αποδίδουν περισσότερο χρόνο.

- (1) Επαναφορτίστε τις μπαταρίες πριν αδειάσουν τελείως.  
Όταν αισθανθείτε ότι η ισχύς του εργαλείου γίνεται ασθενέστερη, σταματήστε τη χρήση του εργαλείου και επαναφορτίστε τις μπαταρίες.  
Αν συνεχίσετε να χρησιμοποιείτε το εργαλείο και αδειάσει το ηλεκτρικό ρεύμα, η μπαταρία μπορεί να πάθει ζημιά και η ζωή της θα γίνει μικρότερη.
- (2) Αποφύγετε την επαναφόρτιση σε υψηλές θερμοκρασίες.  
Μια επαναφορτιζόμενη μπαταρία θα είναι ζεστή αμέσως μετά τη χρήση. Αν μια τέτοια μπαταρία επαναφορτίσει αμέσως μετά τη χρήση, το εσωτερικό της χημικό στοιχείο θα φθαρεί και η ζωή της μπαταρίας θα γίνει μικρότερη. Αφήστε τη μπαταρία και επαναφορτίστε την μετά από του κρυώσει για λίγο.

## ΠΡΟΣΟΧΗ

- Αν η μπαταρία φορτίζεται καθώς είναι ζεστή επειδή αφήθηκε για μεγάλο χρονικό διάστημα σε μια θέση που δέχεται απευθείας το ηλιακό φως ή επειδή είχε χρησιμοποιηθεί, η λυχνία ελέγχου του φορτιστή ανάβει για 1 δευτερόλεπτο, δεν ανάβει για 0,5 δευτερόλεπτα (σβήνει για 0,5 δευτερόλεπτα). Σε τέτοια περίπτωση, πρώτα αφήστε την μπαταρία να κρυώσει, και μετά αρχίστε την φόρτιση.
- Επειδή ο ενσωματωμένος μικρο-επεξεργαστής χρειάζεται περίπου 3 δευτερόλεπτα για να επιβεβαιώσει ότι η μπαταρία που φορτίζεται με το UC18YGL2 έχει αφαιρεθεί, περιμένετε για τουλάχιστο 3 δευτερόλεπτα πριν την επανατοποθετήσετε για να συνεχίσετε τη φόρτιση. Αν η μπαταρία επανατοποθετηθεί μέσα στο διάστημα των 3 δευτερόλεπτων, η μπαταρία ενδέχεται να μην φορτιστεί κατάλληλα.

## ΣΥΝΤΗΡΗΣΗ ΚΑΙ ΕΛΕΓΧΟΣ

### 1. Έλεγχος των θιδών στερέωσης

Τακτικά ελέγξτε όλες τις βίδες στερέωσης και σιγουρευτείτε ότι είναι κατάλληλα σφιγμένες. Σε περίπτωση που κάποιες από τις βίδες χαλαρώσουν, ξανασφίξτε τις αμέσως. Αν δεν το κάνετε αυτό μπορεί να προκληθεί σοβαρός κίνδυνος.

### 2. Καθαρισμός του φορτιστή

Όταν ο φορτιστής είναι βρόμικος, σκουπίστε με ένα μαλακό και στεγνό ύφασμα ή ένα ύφασμα υγραμένο με σαπούνι νερό. Μην χρησιμοποιήσετε χλωριούχους διαλύτες, βενζίνη ή διαλυτικό μπουγιές, επειδή λιώνουν τα πλαστικά

### 3. Αποθήκευση του φορτιστή που δεν βρίσκεται σε χρήση

Όταν δεν βρίσκεται σε χρήση, ο φορτιστής πρέπει να αποθηκευτεί σε ένα ξηρό, υψηλό ή κλειδωμένο μέρος μακριά από την πρόσβαση των παιδιών.

### 4. Λίστα συντήρησης εξαρτημάτων

A: Αρ. Εξαρτήματος

B: Αρ. Κωδικού

C: Αρ. Χρήσης

D: Παρατηρήσεις

## ΠΡΟΣΟΧΗ

Η Επισκευή, τροποποίηση και ο έλεγχος των Ηλεκτρικών Εργαλείων της Hitachi πρέπει να γίνεται από ένα Εξουσιοδοτημένο Κέντρο Σέρβις της Hitachi. Ειδικά για τη συσκευή λείζερ, το σέρβις της πρέπει να γίνεται από ένα εξουσιοδοτημένο αντιπρόσωπο του κατασκευαστή του λείζερ.

Πάντοτε να αναθέτετε την επισκευή της συσκευής λείζερ στο Εξουσιοδοτημένο Κέντρο Σέρβις της Hitachi.

Αυτή η λίστα των Εξαρτημάτων θα είναι χρήσιμη αν δοθεί με το εργαλείο Hitachi στο Εξουσιοδοτημένο Κέντρο Σέρβις της Hitachi κατά την επισκευή ή την συντήρηση.

Κατά την χρήση και την συντήρηση των ηλεκτρικών εργαλείων, οι κανονισμοί ασφαλείας και οι κανόνες που υπάρχουν σε κάθε χώρα πρέπει να τηρούνται.

## ΤΡΟΠΟΠΟΙΗΣΕΙΣ

Τα Ηλεκτρικά Εργαλεία της Hitachi βελτιώνονται συνεχώς και τροποποιούνται για να ενσωματώσουν τα τελευταία τεχνολογικά επιτεύγματα.

Ανάλογα, κάποια σημεία (πχ κωδικοί αριθμοί, και/ή σχεδιασμός) μπορούν να αλλάξουν χωρίς προειδοποίηση.

## ΣΗΜΕΙΩΣΗ

Εξαιτίας του συνεχιζόμενου προγράμματος έρευνας και ανάπτυξης της HITACHI τα τεχνικά χαρακτηριστικά που εδώ αναφέρονται μπορούν να αλλάξουν χωρίς προηγούμενη ειδοποίηση.



## ALLMÄNNA SÄKERHETSFORESKRIFTER

- Håll arbetsplatsen ren och i ordning. Stökiga platser och arbetsbänkar inbjuder till olyckor.
- Undvik farliga miljöer. Skydda både verktyg och laddningsaggregatet från regn och använd de inte där det är fuktigt eller vått. Se till att arbetsplatsen är välbelyst.  
Använd aldrig verktyg eller laddningsaggregatet i närheten av lättantändliga eller explosiva material. Använd aldrig verktyg eller laddningsaggregatet på platser där lättantändliga vätskor eller gaser förekommer.
- Verktyget är inte avsett att användas av barn i låg ålder utan övervakning eller av personer med nedsatt kroppskraft. Barn i låg ålder ska övervakas för att tillförsäkra att de inte leker med verktyget. Tillfälliga besökare ska hållas på säkert avstånd från arbetsplatsen.
- Verktyg och laddningsaggregat som inte används ska förvaras torrt och oåtkomliga för barn — högt upp eller inlåsta. Se till att temperaturen där verktyg och laddningsaggregat förvaras understiger 40°C.
- Dra inte i sladden. Lyft aldrig laddningsaggregatet eller dra ur kontakten genom att enbart använda sladden. Akta sladden för hetta, olja eller vassa kanter.
- Dra alltid ur laddningsaggregatets nätkontakt ur växelströmsuttaget när du inte använder det och före underhållsåtgärder.
- Använd alltid specificerat laddningsaggregat för att undvika fara.
- Använd endast HITACHI originaldelar.
- Använd aldrig din maskin eller laddningsaggregatet för andra användningsområden än de som nämns i maskinens bruksanvisning.
- Använd endast de tillbehör eller delar som rekommenderas i denna bruksanvisning eller i HITACHIs katalog för att undvika personskada.
- Om nätkabeln skadas, så måste den bytas ut av tillverkaren, dess serviceagent eller någon annan kvalificerad person för att undvika risken för fara. Låt endast en auktoriserad verkstad utföra reparation. Tillverkaren tar inte på sig något ansvar för några materiella eller kroppsliga skador som orsakats av reparation av en icke-auktoriserad person eller av felaktig hantering av verktyget.
- Ta aldrig bort monterade skydd, hölje eller skruvar varken från maskinen eller laddningsaggregatet. Det kan skada maskinkonstruktionen.
- Använd alltid laddningsaggregatet med den spänning som anges på dess namnplåt.

- Ladda alltid batteriet innan du använder din maskin.
- Använd ett batteri endast av den typ som nämns i bruksanvisningen. Använd aldrig ett vanligt torrbatteri, uppladdningsbart batteri, bilbatteri eller dylikt i ditt batteridrivna verktyg.
- Använd aldrig en spänningshöjande transformator.
- Ladda inte batteriet genom att använda en motor-driven elgenerator eller en likströmskälla.
- Ladda batteriet inomhus. Beroende på att både batteriet och laddningsaggregatet utvecklar värme under uppladdningen, skall du se till att de inte utsätts för sol under uppladdningstiden. Laddningsplatsen skall vara torr och välventilerad.
- Detaljsskisserna i denna bruksanvisning är endast avsedda som referens för auktoriserat underhåll.

## SÄKERHETSFORESKRIFTER FÖR LADDNINGSSAGGREGAT

- Temperaturen vid batteriuppladdningen skall ligga omkring 0°C – 40°C. Om batteriet laddas i en temperatur som underskrider 0°C, kan det resultera i överladdning som kan skada verktyget. Batteriet bör inte laddas i temperaturer som överstiger 40°C.  
Den lämpligaste uppladdningstemperaturen ligger mellan 20°C och 25°C.
- Använd inte laddningsaggregatet kontinuerligt. Låt aggregatet vila i cirka 15 minuter mellan varje laddning.
- Se till att inga främmande föremål tränger in i hålet för anslutning av det laddningsbara batteriet.
- Ta aldrig isär varken det uppladdningsbara batteriet eller laddningsaggregatet.
- Se till att det uppladdningsbara batteriet inte kortsluts. Det resulterar i hög elektrisk spänning och överhettning, som kan orsaka brand eller skada batteriet.
- Försök inte elda upp ett förbrukat batteri. Batteriet kan explodera, om det bränns.
- Laddningsaggregatet skadas om batteriet är helt urladdat.
- Kasta inte bort det urladdade batteriet med sopor. Så snart batteriets efterladdningstid blir för kort för verktygets praktiska användning, skall batteriet återlämnas till återförsäljaren.
- Sätt inte i någonting i laddningsaggregatets ventilationsöppningar.  
Det medför risk för elektriska stötar, alternativt skador på laddningsaggregatet, om metallföremål och/eller lättantändliga material skulle råka hamna i laddningsaggregatets ventilationsöppningar.

## TEKNISKA DATA

### LADDNINGSSAGGREGAT

Uppladdningstid	Ca 35 – 90 minuter
Laddningsspänning	7,2 – 18 V
Vikt	0,4 kg

## ANVÄNDNINGSOMRÅDE

Uppladdning av HITACHI:s batterier.

- EB712S, EB7S, EB714S, FEB7S, EB7B, EB912S, EB9S, EB914S, EB914, FEB9S, EB9B, EB924, EB926H, EB930H, EB933X, EB1212S, EB12S, EB1214S, EB1214L, FEB12S, EB12B, EB1220BL, EB1224, EB1226H, EB1230H, EB1230HL, EB1230X, EB1233X, EB1412S, EB1414S, EB1414, EB14B, EB1424, EB1426H, EB1430H, EB1430X, EB1433X, BCL1415, BCL1430, EBL1430, EB1812S, EB1814SL, EB18B, EB1820, EB1820L, EB1824L, EB1826HL, EB1830H, EB1830HL, EB1830X, EB1833X, BCL1815, EBM1830

## BATTERILADDNING

Ladda upp batteri enligt de följande anvisningarna innan du använder ditt batteridrivna verktyg.

### 1. Anslut laddarens nätkabel till ett nätuttag.

Kontrolllampan kommer att blinka i rött (med ensekunds intervaller) efter anslutning av nätkabel till laddaren.

Tabell 1

Indikationer för kontrolllampan				
Kontrolllampan (röd)	Före laddning	Blinkar	Lyser 0,5 sekund. Lyser inte 0,5 sekund. (släckt 0,5 sekund)	/
	Under pågående laddning	Lyser	Lyser ihållande	
	Laddningen fullbordad	Blinkar	Lyser 0,5 sekund. Lyser inte 0,5 sekund. (släckt 0,5 sekund)	
	Överhettad beredskapsläge	Blinkar	Lyser 1 sekund. Lyser inte 0,5 sekund. (släckt 0,5 sekund)	Batteriet överhettat. Kan inte ladda (laddning kommer att börja när batteriet svalnat).

### (2) Angående de laddningsbara batteriernas temperaturer

De laddningsbara batteriernas temperaturer, vid vilka batterierna kan laddas upp visas i nedanstående tabell. Låt batterierna, som blivit för varma, svalna innan de laddas upp.

Tabell 2

Laddningsbara batterier	Temperaturer vid vilka batterierna kan laddas
EB712S, EB7S, EB714S, FEB7S, EB7B, EB912S, EB9S, EB914S, EB914, FEB9S, EB9B, EB924, EB1212S, EB12S, EB1214S, EB1214L, FEB12S, EB12B, EB1220BL, EB1224, EB1412S, EB1414S, EB1414, EB14B, EB1424, EB1812S, EB1814SL, EB18B, EB1820, EB1820L, EB1824L	-5°C — 55°C
EB926H, EB930H, EB933X, EB1226H, EB1230H, EB1230HL, EB1230X, EB1233X, EB1426H, EB1430H, EB1430X, EB1433X, EB1826HL, EB1830H, EB1830HL, EB1830X, EB1833X	-5°C — 50°C
BCL1415, BCL1430, EBL1430, BCL1815, EBM1830	0°C — 50°C

(3) Angående laddningstid

**Tabell 3** visar laddningstiderna vid laddning av olika typer av laddningsbara batterier.

**Tabell 3 Uppladdningstid (ca antal min.) vid 20°C**

Batteri-spänning (V)		Batterikapacitet (Ah)										
		Ni-Cd BATTERI					Ni-MH BATTERI					
		1,2-1,4 Ah		2,0 Ah		2,4 Ah		2,6 Ah		3,0 Ah		3,3 Ah
7,2V	EB712S EB7S EB714S FEB7S (6 celler)	35min.	EB7B (6 celler)	60min.	—	—	—	—	—	—	—	—
	EB912S EB914S EB9S EB914 FEB9S (8 celler)		35min.		EB9B (8 celler)	60min.	EB924 (8 celler)	70min.	EB926H (8 celler)	80min.	EB930H (8 celler)	90min.
12V	EB12S EB1212S EB1214S EB1214L FEB12S (10 celler)	35min.		EB12B EB120BL (10 celler)	60min.		EB1224 (10 celler)		70min.		EB1226H (10 celler)	
	14,4V		EB1412S EB1414S EB1414 (12 celler)	35min.		EB14B (12 celler)	60min.	EB1424 (12 celler)		70min.	EB1426H (12 celler)	80min.
18V		EB1812S EB1814SL (15 celler)	35min.		EB18B EB1820L EB1820 (15 celler)	60min.		EB1824L (15 celler)	70min.		EB1826HL (15 celler)	

Batteri-spänning (V)		Batterikapacitet (Ah)			
		Li-ion BATTERI			
		1,5 Ah		3,0 Ah	
14,4V	BCL1415 (4 celler)	40min.	BCL1430 (8 celler)	90min.	
			EBL1430 (4 cells)		
18V	BCL1815 (5 celler)	40min.	EBM1830 (10 celler)	90min.	

**OBS!** Laddningstiden kan variera enligt omgivningstemperaturen.

**4. Dra ut laddarens nätkabel ur nätuttaget.**

**5. Fatta ett stadigt tag i laddaren och dra ut batteriet ur laddaren.**

#### ANMÄRKNING

Kom ihåg att dra ut batteriet ur laddaren efter användning och att spara batteriet.

**Angående elektrisk urladdning när batterierna är nya o.s.v.**

Eftersom de kemiska reaktionerna inte äger rum i ett nytt batteri eller i ett batteri som inte använts under en längre tid, kan det hända att den elektriska urladdningen är låg när batteriet används för första och andra gången. Detta är ett temporärt förhållande.

Laddningstiden återgår till normal laddningstid efter att batteriet laddats upp två till tre gånger.

#### Hur batteriets brukstid förlängs

- (1) Ladda upp batteriet innan det laddats ur helt. Vid första tendensen till att uteffekten hos det batteridirvna verktyget blivit lägre, måste arbetet avbrytas och batteriet laddas upp. Vid fortsatt drift, så att batteriet laddas ur och inte längre leder elektrisk spänning, kan batteriet skadas och dess livslängd bli kortare.
- (2) Ladda inte upp varma batterier. Ett laddningsbart batteri är varmt efter att det använts. Om ett sådant batteri laddas upp genast

efter batteriets bruk, försämras de kemiska ämnena i batteriet varvid batteriets livslängd förkortas. Låt batteriet först svalna. Ladda upp det först efter att det svalnat.

## **VARNING**

- Det kan hända att kontrolllampan på laddaren tänds undre 1 sekund och slacks sedan 0,5 sekunder (släckt under 0,5 sekunder) vid laddningsstart när batteriet blivit varmt, beroende av att batteriet fått ligga i solen eller när det sätts i laddaren strax efter avslutat bruk. Låt i detta fall batteriet först svalna innan laddningen sätts igång.
- Det tar ca. tre sekunder för den inbyggda mikrodatorn i UC18YGL2 att avkänna att en pågående laddning avbrutits och batteriet tagits ur. Vänta därför i minst tre sekunder innan batteriet på nytt sätts i laddaren för fortsatt laddning. Det kan hända att batteriet inte laddas upp på korrekt sätt om batteriet sätts i laddaren på nytt inom tre sekunder efter att den pågående laddningen avbrutits.

---

## **UNDERHÅLL OCH ÖVERSYN**

---

### **1. Knotroll av skruvförband**

Kontrollera skruvförbanden regelmässigt och se till att skruvarna är ordentligt åtdragna. Lösa skruvförband kan resultera i olycksfall.

### **2. Laddningsaggregatets rengöring**

När laddningsaggregatet blir smutsigt, torka av det med en tor, mjuk trasa eller fukta trasan i tvålatten. Använd aldrig klorlösningar, bensin eller lösningsmedel för färg för höljets rengöring. Det kan skada ytbehandlingen.

### **3. Förvaring**

Förvara laddningsaggregatet på ett låst, barnsäkert ställe när du inte använder det.

### **4. Servicelista**

- A: Det. nr
- B: Kodnr
- C: Brukat nr
- D: Anm.

## **OBSERVERA**

Reparationer, modifieringar och inspektioner av Hitachis elverktyg får endast utföras av en av Hitachi auktoriserad serviceverkstad.

Vi rekommenderar att denna servicelista lämnas in tillsammans med verktyget som referens, då verktyget lämnas in för reparation eller annat underhåll till en av Hitachi auktoriserad serviceverkstad.

Vid användning och underhåll av elverktyg måste de säkerhetsbestämmelser och standarder som gäller i respektive land iakttas.

## **MODIFIERINGAR**

Hitachis elverktyg förbättras och modifieras ständigt för att inkludera de senaste tekniska framstegen. På grund av detta kan det hända att vissa ting (såsom t.ex. kodnummer och/eller utförande) ändras utan föregående meddelande.

---

## **ANMÄRKNING:**

Beroende på HITACHIs kontinuerliga forskningsoch utvecklingsarbete förbehåller HITACHI rätten till ändringar av tekniska data utan föregående meddelande.

---

## GENERELLE FORSİGTIGHEDSREGLER

1. Hold arbejdsområdet rent. Snavsede arbejdsomgivelser øger risikoen for uheld.
2. Undgå farlige omgivelser. Udsæt ikke elektrisk værktøj eller opladeapparatet for regn. Anvend ikke elektrisk værktøj eller opladeapparatet i våde eller fugtige omgivelser.  
Sørg for, at arbejdsområdet er godt oplyst. Anvend aldrig værktøjet eller opladeapparatet nær brændbare eller eksplosionsfarlige materialer. Brug ikke værktøjet nær brændbare væsker eller gasser.
3. Dette apparat er ikke beregnet til at blive brugt af små børn eller svagelige personer uden opsyn. Der skal holdes øje med små børn for at sikre, at de ikke leger med apparatet. Alle tilskuere skal holdes på sikker afstand af arbejdsområdet.
4. Lad ikke værktøj eller opladeapparatet ligge fremme, når de ikke bruges. Når værktøj og opladeapparat ikke bruges, bør de opbevares på et tørt, højt placeret eller aflåst sted uden for børns rækkevidde.  
Værktøjet og opladeapparatet skal opbevares på et sted, hvor temperaturen er under 40°C.
5. Misbrug ikke ledningen. Bær aldrig værktøjet ved at holde i ledningen, og tag ikke stikket ud af stikkontakten ved at rykke i ledningen. Undgå, at ledningen kommer i berøring med varme, olie og skarpe kanter.
6. Når opladeapparatet ikke er i brug eller efterses eller vedligeholdes, skal du tage værktøjets strømledning ud af stikkontakten.
7. For at undgå fare bør du altid bruge det opladeapparat, der er angivet.
8. Brug kun originale HITACHI-reservedele.
9. Brug ikke værktøjet eller opladeapparatet til andre formål end dem, der er nævnt i brugsanvisningen.
10. For at undgå personskade bør der kun anvendes tilbehør og ekstraudstyr, som anbefales i denne brugsanvisning eller i HITACHI-kataloget.
11. Hvis ledningen bliver beskadiget, skal den for at undgå ulykker udskiftes af producenten, af en af dennes serviceagenter eller af en person med tilsvarende kvalifikationer.  
Reparationer bør udelukkende udføres af et autoriseret serviceværksted. Producenten er ikke ansvarlig for skader eller personskader, som er forårsaget af uautoriserede personer eller skyldes fejlagtig anvendelse af værktøjet.
12. For at sikre, at det elektriske værktøj og opladeapparatet fungerer korrekt, må dæksler og skruer ikke fjernes.

13. Brug altid opladeapparatet ved den spænding, der er angivet på navnepladen.
14. Oplad altid batteriet før brug.
15. Brug aldrig et andet batteri end det, der er angivet. Brug ikke et almindeligt tørcelebatteri, et andet genopladeligt batteri eller et bilbatteri til værktøjet.
16. Anvend ikke en transformer, der indeholder en forstærker.
17. Genoplad ikke batteriet fra en motordrevet generator eller en DC-strømforsyning.
18. Oplad altid indendørs. Opladeapparatet og batteriet bliver en smule varme under opladningen og skal derfor oplades på et sted, der ikke er udsat for direkte sollys, og hvor der er lav luftfugtighed og god udluftning.
19. Monteringstegningen i denne brugsanvisning er kun beregnet til autoriseret servicering.

## FORSIGTIGHEDSREGLER FOR OPLADEAPPARATET

1. Oplad altid batteriet ved en temperatur på 0°C – 40°C. Opladning ved en temperatur på under 0°C vil føre til overopladning, hvilket er farligt. Batteriet kan ikke oplades ved en temperatur på over 40°C.  
Den mest passende temperatur for opladning er 20 – 25°C.
2. Brug ikke opladeapparatet uafbrudt.  
Når en opladning er til færdig, bør du lade opladeapparatet hvile 15 min. inden den næste batteriopladning.
3. Sørg for, at der ikke kommer fremmedlegemer ind i hullet til tilslutning af det genopladelige batteri.
4. Skil aldrig det genopladelige batteri eller opladeapparatet ad.
5. Kortslut aldrig det genopladelige batteri.  
En kortslutning af batteriet vil medføre en kraftig elektrisk strøm og overophedning, hvilket igen vil føre til, at batteriet brænder sammen eller beskadiges.
6. Bortsaf ikke batteriet ved at brænde det. Hvis batteriet brændes, kan det eksplodere.
7. Hvis der bruges et opbrugt batteri, vil det beskadige opladeapparatet.
8. Når batterilevetiden efter en opladning bliver for kort til, at batteriet kan anvendes, skal du levere batteriet tilbage til den forretning, hvor du har købt det. Du må ikke smide det opbrugte batteri ud.
9. Stik ikke fremmedlegemer ind i opladeapparatets ventilationsåbninger.  
Hvis der kommer metalgenstande eller brændbart materiale ind i opladeapparatets ventilationsåbninger, er der risiko for elektrisk stød og for, at opladeapparatet beskadiges.

## SPECIFIKATIONER

### OPLADEAPPARAT

Opladetid	Ca. 35 – 90 minutter
Opladespænding	7,2 – 18 V
Vægt	0,4 kg

## ANVENDELSESOMRÅDE

Opladning af HITACHI BATTERI.

- EB712S, EB7S, EB714S, FEB7S, EB7B, EB912S, EB9S, EB914S, EB914, FEB9S, EB9B, EB924, EB926H, EB930H, EB933X, EB1212S, EB12S, EB1214S, EB1214L, FEB12S, EB12B, EB1220BL, EB1224, EB1226H, EB1230H, EB1230HL, EB1230X, EB1233X, EB1412S, EB1414S, EB1414, EB14B, EB1424, EB1426H, EB1430H, EB1430X, EB1433X, BCL1415, BCL1430, EBL1430, EB1812S, EB1814SL, EB18B, EB1820, EB1820L, EB1824L, EB1826HL, EB1830H, EB1830HL, EB1830X, EB1833X, BCL1815, EBM1830

## OPLADNING

Før det elektriske værktøj tages i brug, oplades batteriet som følger.

### 1. Tilslut opladeapparatets ledning til en stikkontakt.

Når opladeapparatets stik tilsluttes til en stikkontakt, blinker kontrollampen rødt (Et blink i sekundet).

### 2. Sæt batteriet ind i opladeapparatet.

Før batteriet godt ind i opladeapparatet, indtil det når bunden. Vær opmærksom på, at polari-teterne passer. Se **Fig. 1**.

### ADVARSEL:

- Hvis batterierne sættes omvendt i, vil ikke alene genopladning være umulig, men der vil også være risiko for, at sikringen springer, eller at der opstår problemer i opladeapparatet som f.eks. en deformeret opladeterminale.

### 3. Opladning

Kontrollampen lyser konstant rødt, når der sættes et batteri i opladeapparatet.

Når batteriet er fuldt opladet, blinker kontrollampen rødt (et blink i sekundet). (Se **Tablet 1**)

- (1) Kontrollampens indikering  
Kontrollampens indikeringer, angives som vist i **Tablet 1**, i overensstemmelse med opladeapparatets eller det genopladelige batteris tilstand.

Tablet 1

Kontrollampens indikeringer				
Kontrollampe (rød)	Før opladning	Blinker	Lyser i 0,5 sekunder. Lyser ikke i 0,5 sekunder. (slukket i 0,5 sekunder)	/
	Under opladning	Lyser	Lyser vedvarende	
	Opladning slut	Blinker	Lyser i 0,5 sekunder. Lyser ikke i 0,5 sekunder. (slukket i 0,5 sekunder)	
	Standby på grund af overophedning	Blinker	Lyser i 1 sekund. Lyser ikke i 0,5 sekunder. (slukket i 0,5 sekunder)	

- (2) Vedrørende det genopladelige batteris temperatur

Temperaturen for de genopladelige batterier er som vist i nedenstående oversigt, og batterier, der er blevet varme, bør afkøles i et stykke tid, før de genoplades.

Tablet 2

Genopladelige batterier	Temperaturer ved hvilke batteriet kan genoplades
EB712S, EB7S, EB714S, FEB7S, EB7B, EB912S, EB9S, EB914S, EB914, FEB9S, EB9B, EB924, EB1212S, EB12S, EB1214S, EB1214L, FEB12S, EB12B, EB1220BL, EB1224, EB1412S, EB1414S, EB1414, EB14B, EB1424, EB1812S, EB1814SL, EB18B, EB1820, EB1820L, EB1824L	-5°C — 55°C
EB926H, EB930H, EB933X, EB1226H, EB1230H, EB1230HL, EB1230X, EB1233X, EB1426H, EB1430H, EB1430X, EB1433X, EB1826HL, EB1830H, EB1830HL, EB1830X, EB1833X	-5°C — 50°C
BCL1415, BCL1430, EBL1430, BCL1815, EBM1830	0°C — 50°C

(3) Vedrørende opladetiden

**Tablet 3** Viser den påkrævede opladetid for hver type batteri.

**Tablet 3 Opladetid (ca. min.) ved 20°C**

Batteri-spænding (V)		Batterikapacitet (Ah)										
		Ni-Cd BATTERI					Ni-MH BATTERI					
		1,2-1,4 Ah		2,0 Ah		2,4 Ah		2,6 Ah		3,0 Ah		3,3 Ah
7,2V	EB712S EB7S EB714S FEB7S (6 celler)	35min.	EB7B (6 celler)	60min.	—	—	—	—	—	—	—	
9,6V	EB912S EB914S EB9S EB914 FEB9S (8 celler)	35min.	EB9B (8 celler)	60min.	EB924 (8 celler)	70min.	EB926H (8 celler)	80min.	EB930H (8 celler)	90min.	EB933X (8 celler)	90min.
12V	EB12S EB1212S EB1214S EB1214L FEB12S (10 celler)	35min.	EB12B EB1220BL (10 celler)	60min.	EB1224 (10 celler)	70min.	EB1226H (10 celler)	80min.	EB1230H EB1230HL EB1230X (10 celler)	90min.	EB1233X (10 celler)	90min.
14,4V	EB1412S EB1414S EB1414 (12 celler)	35min.	EB14B (12 celler)	60min.	EB1424 (12 celler)	70min.	EB1426H (12 celler)	80min.	EB1430H EB1430X (12 celler)	90min.	EB1433X (12 celler)	90min.
18V	EB1812S EB1814SL (15 celler)	35min.	EB18B EB1820L EB1820 (15 celler)	60min.	EB1824L (15 celler)	70min.	EB1826HL (15 celler)	80min.	EB1830H EB1830HL EB1830X (15 celler)	90min.	EB1833X (15 celler)	90min.

Batteri-spænding (V)		Batterikapacitet (Ah)			
		Li-ion BATTERI			
		1,5 Ah		3,0 Ah	
14,4V	BCL1415 (4 celler)	40min.	BCL1430 (8 celler) EBL1430 (4 celler)	90min.	
18V	BCL1815 (5 celler)	40min.	EBM1830 (10 celler)	90min.	

**BEMÆRK:** Opladetiden kan variere, afhængigt af lufttemperaturen.

4. Tag opladeapparatets ledning ud af stikkontakten.
5. Hold godt fat om opladeapparatet og træk batteriet ud.

**BEMÆRK**

Husk at tage batteriet ud af opladeren efter brug og beholde det.

**Vedrørende elektrisk afladning af nye batterier etc.**

Da den kemiske substans i nye batterier og i batterier, der ikke har været brugt i længere tid, ikke aktiveres, kan den elektriske afladning være lav, når batterierne bruges første eller anden gang. Dette er et midlertidigt fænomen, og den normale opladetid genvindes ved 2-3 opladninger af batterierne.

**Hvordan man får batterierne til at holde længere**

- (1) Genoplad batterierne, før de bliver helt flade. Hvis det er tydeligt, at værktøjet ikke arbejder for fuld kraft, skal det stoppes og batterierne skal oplades. Batteriet kan lide skade og dets levetid forkortes, hvis værktøjet fortsat anvendes og den elektriske effekt opbruges.
- (2) Undgå opladning i for stærk varme. Et genopladeligt batteri vil være varmt lige efter brugen. Hvis et sådant batteri oplades umiddelbart efter brugen, vil dets indre substans forringes, og batterilevetiden vil blive kortere. Lad batteriet være og oplad det, når det har kølet af i et stykke tid.

## ADVARSEL

- Hvis batteriet oplades, mens det er varmt, fordi det i længere tid har ligget i direkte sol, eller fordi det lige har været brugt, lyser opladeapparatets kontrollampe grønt i 1 sekund, og lyser ikke i 0,5 sekunder (slukkes i 0,5 sekunder). I et sådant tilfælde skal batteriet først have mulighed for at køle af, hvorefter opladningen kan påbegyndes.
- Da den indbyggede microcomputer er omkring 3 sekunder om at bekræfte, at batteriet, der oplades med UC18YGL2, er taget ud, skal du vente i mindst 3 sekunder, før du sætter batteriet i igen for at fortsætte opladningen. Hvis batteriet sættes i, før der er gået 3 sekunder, er det ikke sikkert, at det kan oplades ordentligt.

---

## VEDLIGEHOLDELSE OG EFTERSYN

---

### 1. Eftersyn af monteringsskruerne:

Efterse regelmæssigt alle monteringsskruer og sørg for, at de er forsvarligt strammede. Er nogen af skruerne løse, bør de strammes øjeblikkeligt. Forsømmelse i så henseende kan medføre alvorlig risiko.

### 2. Rengøring af opladeapparatet

Når opladeapparatet bliver tilsmudset, aftørres det med en tør, blød klud eller en klud fugtet med sæbevand.

Brug ikke kloropløsning, benzin eller fortynder, da plastikken herved opløses.

### 3. Når opladeapparatet ikke er i brug, det opbevares på et tørt, højt eller aflåst sted, udenfor børns rækkevidde.

### 4. Liste over reservedele

A: Punkt nr.

B: Kode nr.

C: Anvendt nr.

D: Bemærkninger

## FORSIGTIG

Reparationer, modifikationer og eftersyn af Hitachi el-værktøj skal udføres af et autoriseret Hitachi service-center.

Denne liste over reservedele vil være nyttig, når værktøj indleveres til det autoriserede Hitachi service-center til reparation eller anden vedligeholdelse.

Ved anvendelse og vedligeholdelse af el-værktøj skal de sikkerhedsregler og standarder, som gælder i hvert enkelt land, nøje overholdes.

## MODIFIKATIONER

Hitachi el-værktøj undergår konstant forbedringer og modifikationer, så teknologiske nyheder hele tiden kan inkorporeres.

Som et resultat heraf kan nogle dele (f.ex. kodenumre og/eller design) ændres uden varsel.

---

## BEMÆRK

Grundet HITACHI's løbende forskning og udvikling, kan bemeldte specifikationer ændres uden forudgående varsel.

---



## GENERELLE SIKKERHETSREGLER FOR BRUKEN

- Hold arbeidsområdet rent og ryddig. Rot og skitt gjør at ulykker kan inntreffe.
- Unngå farlige omgivelser. Ikke utsett elektroverktøyet og ladeapparatet for regn. Ikke bruk elektroverktøy eller ladeapparat i fuktige eller våte omgivelser. Hold arbeidsområdet godt opplyst. Bruk aldri elektroverktøyet og ladeapparatet nær materialer som kan ta fyr eller som kan eksplodere. Bruk ikke verktøyet når brennbare væsker eller gasser er til stede.
- Utstyret må ikke brukes av små barn eller andre personer som trenger oppsyn. Se til at små barn ikke får anledning til å leke med utstyret. Eventuelle tilstedeværende må holdes på god avstand fra arbeidsområdet.
- Oppbevaring av maskin og ladeapparat som ikke er i bruk. Både elektroverktøyet og ladeapparatet bør oppbevares på et tørt sted som enten ligger høyt eller kan låses, slik at barn ikke kan få tak i utstyret. Oppbevar elektroverktøyet og ladeapparatet på et sted der temperaturen er lavere enn 40°C.
- Misbruk ikke ledningen. Bær aldri ladeapparatet etter ledningen, og dra heller aldri i ledningen for å få støpselet ut av stikkkontakten. Hold ledningen borte fra varme, olje og skarpe kanter.
- Når ladeapparatet ikke er i bruk, eller når det vedlikeholdes eller undersøkes, må du ta ut ladeapparatets støpsel fra stikkkontakten.
- For å unngå skade må du kun bruke ladeapparatet som er spesifisert.
- Bruk kun originale HITACHI reservedeler.
- Bruk aldri elektroverktøyet og ladeapparatet til andre formål enn de som er oppgitt i bruksanvisningen.
- For å forhindre personskader, må bare det utstyret eller tilbehøret som er anbefalt i denne bruksanvisningen eller i HITACHI-katalogen benyttes.
- Hvis strømledningen er skadet, må den, for at det ikke skal være farlig, skiftes av produsenten, et godkjent serviceverksted eller en tilsvarende kvalifisert person.
- Reparasjoner må kun utføres av et autorisert serviceverksted. Produsenten kan ikke holdes ansvarlig for skader eller personskader som oppstår på grunn av at reparasjon utføres av ikke-godkjente personer eller misbruk av verktøyet.
- For å være sikker på at elektroverktøyet og ladeapparatet fungerer som de er konstruert til å gjøre, må en ikke fjerne monterte deksler og skruer.

- Bruk alltid ladeapparatet på den spenningen som er oppgitt på navneplaten.
- Lad alltid batteriet før bruk.
- Benytt aldri andre typer batteri enn det som er spesifisert. Du må aldri bruke et vanlig tørrbatteri, et annet oppladbart batteri enn det som er spesifisert, eller et billbatteri.
- Benytt aldri en transformator med booster.
- Lad aldri batteriet fra generatoren på en motor eller likestrøm.
- Utfør alltid ladeoperasjonen innendørs. På grunn av at ladeapparatet og batteriet blir litt varme under ladingen, må ladeoperasjonen utføres på et sted som ikke er utsatt for direkte sollys, der fuktigheten er liten, og som er godt ventilert.
- Perspektivsnittet av montasjen i denne bruksanvisningen er kun bergnet til bruk ved autorisert service.

## FORHOLDREGLER FOR BRUK AV LADEAPPARAT

- Batteriet må alltid ved en temperatur mellom 0°C og 40°C. Er temperaturen lavere enn 0°C vil det resultere i overlading, noe som er farlig. Batteriet kan ikke lades ved høyere temperaturer enn 40°C. Den mest passende temperaturen for lading er mellom 20 og 25°C.
- La ikke ladeapparatet stå på kontinuerlig. Når en ladeoperasjon er avsluttet, skal du la ladeapparatet stå avslått i omkring 15 minutter før den neste oppladingen av et batteri tar til.
- Ikke la fremmedlegemer falle ned i hullet for tikopling av det oppladbare batteriet.
- Demonter aldri det oppladbare batteriet og ladeapparatet.
- Det oppladbare batteriet må aldri kortsluttes. Kortslutter en batteriet vil det resultere i høyspenningstrøm og overopphetning. Det vil føre til forbrenning eller skade av batteriet.
- Ikke forsøk å brenne et kassert batteri. Et brennende batteri kan eksplodere.
- Bruk av et utbrukt batteri vil skade ladeapparatet.
- Bring batteriet til butikken der det ble kjøpt så snart den oppladede tiden blir for kort for praktisk bruk. Ikke kast det utslitte batteriet.
- Du må aldri sett fremmedlegemer inn i ladeapparatets luftventilasfonshull. Dersom metall eller brennbare legemer føres inn i ladeapparatets ventilasjonsfonshull kan det føre til elektrisk sjokk eller skade på ladeapparat.

## TEKNISKE DATA

### LADEAPPARAT

Ladetid	Ca. 35 – 90 minutter
Ladespenning	7,2 – 18 V
Vekt	0,4 kg



(3) Når det gjelder ladetid

**Tabell 3** viser den ladetiden som behøves avhengig av batteritypen.

**Tabell 3 Oppladningstid (ca. min.) ved 20°C**

Batteri- spenning (V)		Batterikapacitet (Ah)										
		Ni-Cd BATTERI					Ni-MH BATTERI					
		1,2–1,4 Ah		2,0 Ah		2,4 Ah		2,6 Ah		3,0 Ah		3,3 Ah
7,2V	EB712S EB7S EB714S FEB7S (6 celler)	35min.	EB7B (6 celler)	60min.	—	—	—	—	—	—	—	
	EB912S EB914S EB9S EB914 FEB9S (8 celler)		35min.	EB9B (8 celler)	60min.	EB924 (8 celler)	70min.	EB926H (8 celler)	80min.	EB930H (8 celler)	90min.	EB933X (8 celler)
12V	EB12S EB1212S EB1214S EB1214L FEB12S (10 celler)	35min.		EB12B EB1220BL (10 celler)	60min.	EB1224 (10 celler)	70min.	EB1226H (10 celler)	80min.	EB1230H EB1230HL EB1230X (10 celler)	90min.	EB1233X (10 celler)
	EB1412S EB1414S EB1414 (12 celler)		35min.	EB14B (12 celler)	60min.	EB1424 (12 celler)	70min.	EB1426H (12 celler)	80min.	EB1430H EB1430X (12 celler)	90min.	EB1433X (12 celler)
18V	EB1812S EB1814SL (15 celler)	35min.		EB18B EB1820L EB1820 (15 celler)	60min.	EB1824L (15 celler)	70min.	EB1826HL (15 celler)	80min.	EB1830H EB1830HL EB1830X (15 celler)	90min.	EB1833X (15 celler)

Batteri- spenning (V)		Batterikapacitet (Ah)			
		Li-ion BATTERI			
		1,5 Ah		3,0 Ah	
14,4V	BCL1415 (4 celler)	40min.	BCL1430 (8 celler) EBL1430 (4 celler)	90min.	
18V	BCL1815 (5 celler)	40min.	EBM1830 (10 celler)	90min.	

**MERK:** Ladetiden kan variere, avhengig av den omkringliggende temperaturen.

#### 4. Taladeapparaters ledning ut av vekselstrømskon-takten.

#### 5. Ta godt tak i ladeapparatet og trekk ut batteriet.

#### MERKNAD

Batteriet må tas ut av laderen etter bruk, og så oppbevares.

#### Slisk får du batteriene til å vare lenger.

- Lad batteriene opp før de er helt utgått.  
Når du merker at effekten i verktøyet begynner å bli dårlig, stanser du verktøyet og lader batteriet opp. Hvis du fortsetter å bruke verktøyet til batteriet går tomt, kan batteriet ta skade og levetiden reduseres.
- Unngå opplading ved høy temperatur.  
Et oppladbart batteri blir temmelig varmt etter bruk. Hvis et varmt batteri lades opp like etter at det har vært i bruk, vil den kjemiske substansen i batteriet forringes og batteriets levetid forkortes. Vent en stund før batteriet lades opp.

#### Når det gjeldereledtrisk utlading i nye batterier, etc.

Ettersom den kjemiske substansen i nye batterier eller batterier som ikke har vært i bruk en stund ikke er aktivert, vil den elektriske utladningen være lav når batteriene brukes de første par gangene. Dette er et midlertidig fenomen, og den normaltiden som er nødvendig for opplading vil gjenopprettes ved å lade batteriene opp 2-3 ganger.

## OBS!

- Hvis batteriet lades opp når det er varmt som en følge av direkte sollys eller fordi det nettopp har vært i bruk, vil pilot-lyset blinke (1 sekund på og 0,5 sekund av). Hvis dette er tilfelle, må batteriet avkjøles før ladingen begynner.
- Den innbygde computeren tar ca. 3 sekunder for å bekrefte at batteriet som lades opp med UC18YGL2 er tatt ut og du må derfor vente i minst 3 sekunder før det settes i igjen for videre lading. Hvis batteriet settes i innen det er gått 3 sekunder, kan det skje at ladingen blir ufullstendig.

---

## VEDLIKEHOLD OG INSPEKSJON

---

### 1. Inspeksjon av monteringskruene:

Inspiser alle monteringskruene med jevn mellomrom og se etter at de er godt tilstrammet. Dersom noen av skruene skulle være løse, stram dem øyeblikkelig. Dersom dette ikke blir gjort, kan det føre til farlige situasjoner.

### 2. Rengjøring av ladeapparatet

Dersom det er flekker på ladeapparatet, fjern dem med en myk klut fuktet med såpevann. Ikke bruk oppløsninger med klor, bensin eller malingstynnere da slike kjemikalier løser opp plastikk.

### 3. Lagring av ladeapparat som ikke er i bruk:

Når ladeapparatet ikke er i bruk, bør det oppbevares på et tørt sted som enten er høyt oppe, eller innelåst, slik at barn ikke kan få tak i apparatet.

### 4. Liste over servicedeler

- A: Punktnr.
- B: Kodernr.
- C: Bruksnr.
- D: Anmerkninger

## OBS

Reparasjoner, modifikasjoner og inspeksjon av Hitachi elektroverktøy må utføres av et Hitachi autorisert serviceverksted.

Denne dellisten er behjelpelig hvis den leveres inn sammen med verktøyet til et Hitachi autorisert serviceverksted når reparasjoner eller annet vedlikeholdsarbeid kreves.

Sikkerhetsregler og normer som gjelder for det enkelte land, må overholdes ved drift og vedlikehold av elektroverktøy.

## MODIFIKASJONER

Hitachi elektroverktøy er under konstant utbedring og modifisering for å inkorporere de siste nye teknologiske fremskritt.

Følgelig vil enkelte deler (f.eks. kodernr. og/eller design) kunne endres uten forvarsel.

---

## NB:

På grunn av Hitachis kontinuerlige forskningsog utviklingsprogram kan spesifikasjonene i dette heftet endres uten forvarsel.

---

## YLEISET VAROVAISUUSTOIMENPITEET

- Pidä työskentelyalue puhtaana. Epäjärjestys aiheuttaa vahinkoja.
- Vältä vaaraa aiheuttavaa ympäristöä. Suojaa pora ja laturi sateelta. Älä käytä sähkötyökalua tai laturia kosteissa paikoissa Huolehdi, että työskentelyolosuhteet on kunnolla valaistu.  
Älä koskaan käytä sähkötyökaluja ja laturia helposti syttyvien tai räjähtävien materiaalien läheisyydessä. Älä koskaan työskentele lähellä tulenarkoja tai räjähtäviä aineita.
- Tämä laite ei ole tarkoitettu nuorten lasten tai mielentilaltaan epävakaiden henkilöiden käyttöön ilman valvontaa. Nuoria lapsia on valvottava, jotta he eivät pääse leikkimään laitteella. Kaikki asiaankuulumattomat henkilöt on pidettävä poissa työskentelypaikalta.
- Kun työkalut eivät ole käytössä, säilytä niitä kuivassa paikassa korkealla lapsilta ulottumattomissa tai lukitussa paikassa. Työkalujen ja laturin säilytyspaikan lämpötilan ei tule ylittää 40°C.
- Älä väärinkäytä johtoa. Älä koskaan riiputa laturia johdosta tai irrota sähköpistoketta johdosta vetämällä. Pidä johto poissa kuumuudesta, öljystä ja terävistä reunoista.
- Kun laturi ei ole käytössä tai sitä huoltaessasi irrota laturin pistoke verkkovirrasta.
- Käytä oikeaa laturia. Vältääksesi onnettomuuksia laturia. Vältääksesi onnettomuuksia, käytä ainoastaan suositeltua laturia.
- Käytä ainoastaan alkuperäisiä HITACHI varaosia.
- Älä käytä sähkötyökalua tai laturia muihin kuin käyttöohjeissa mainittuihin tarkoituksiin.
- Henkilövaurioiden välttämiseksi on käytettävä ainoastaan näissä käsittelyohjeissa tai HITACHI-esitteessä mainittuja varusteita tai osia.
- Jos varusteisiin kuuluva johto vahingoittuu, se on vaihdattava valmistajalla, huoltamossa tai asiantuntevalla tekniikolla vaarojen välttämiseksi. Korjaustyöt saa suorittaa ainoastaan valtuutettu huoltokeskus. Valmistaja ei ota vastuuta vahingoista tai vaurioista, jotka aiheutuvat valtuuttamattomien henkilöiden tekemistä korjauksista tai työkalun virheellisestä käsittelystä.

- Vältääksesi vahingoittamasta sähkötyökalua tai laturia, älä poista asennettuja kouria tai ruuveja.
- Käytä aina nimilatausta mainittua jännitettä.
- Lataa paristo aina ennen käyttöä.
- Älä koskaan käytä muuta kuin suositeltua paristoa. Älä kytke tavanomaista kuivaparistoa, muuta ladattavaa paristoa tai auton akkua poran sähkötyökaluun.
- Älä käytä muuntajalla varustettua tehostinta.
- Älä lataa paristoa sähkögeneraattorista tai tasavirtaisesta virtalähteestä.
- Suorita lataus sisätiloissa. Koska laturi ja paristo lämpenevät latauksen aikana, suorita lataus varjossa auringolta, paikassa jossa on hyvä ilmanvaihto ja alhainen kosteus.
- Käsittelyohjeissa olevaa kokoamiskaaviota saa käyttää vain valtuutettuun huoltotarkoitukseen.

## LATURIN VAROTOIMENPITEET

- Paristoa ladattaessa tulee lämpötilan olla 0 – 40°C. Alle 0°C lämpötila saattaa aiheuttaa vaarallista yllilataantumista. Paristoa ei voi ladata, jos lämpötila on yli 40°C.  
Suositeltavin lämpötila on 20 – 25°C.
- Älä käytä laturia yhtäjaksoisesti.  
Suoritettuasi latauksen, odota noin 15 minuuttia ennen seuraavaa latausta.
- Huolehdi, ettei mitään roskia tai likaa pääse ladattavan kytkentäaukkoon.
- Älä koskaan irrota mitään osia paristosta tai laturista.
- Älä aiheuta oikosulkuja ladattavaan paristoon.  
Oikosulku aiheuttaa voimakkaan sähkövirtauksen ja ylikuumenemisen, joka vaurioittaa pariston.
- Älä koskaan heitä paristoa tuleen.  
Jos paristo syttyy palamaan, se saattaa räjähtää.
- Kuluneen pariston käyttö vahingoittaa laturia.
- Kun pariston käyttöaika latauksen jälkeen käy liian lyhyeksi käytännölliseen työskentelyyn, palauta se takaisin liikkeeseen, josta se on hankittu. Älä heitä kulunutta paristoa menemään.
- Älä työnnä esineitä laturin tuuletusaukkoihin.  
Metallisten tai tulenarkojen esineiden työntäminen laturin tuuletusaukkoihin aiheuttaa sähköiskuvaaran ja vahingoittaa laturia.

## TEKNISET TIEDOT

### LATURI

Latausaika	noin 35 – 90 minuuttia
Latausjännite	7,2 – 18 V
Paino	0,4 kg

**KÄYTTÖ**

HITACHI pariston lataukseen.

- EB712S, EB7S, EB714S, FEB7S, EB7B, EB912S, EB9S, EB914S, EB914, FEB9S, EB9B, EB924, EB926H, EB930H, EB933X, EB1212S, EB12S, EB1214S, EB1214L, FEB12S, EB12B, EB1220BL, EB1224, EB1226H, EB1230H, EB1230HL, EB1230X, EB1233X, EB1412S, EB1414S, EB1414, EB14B, EB1424, EB1426H, EB1430H, EB1430X, EB1433X, BCL1415, BCL1430, EBL1430, EB1812S, EB1814SL, EB18B, EB1820, EB1820L, EB1824L, EB1826HL, EB1830H, EB1830HL, EB1830X, EB1833X, BCL1815, EBM1830

**LATAUS**

Ennen poran käyttöä lataa paristo seuraavien ohjeiden mukaisesti.

**1. Liitä laturin verkkojohto vaihtovirtapistorasiaan.**

Kun laturin verkkojohto on liitetty pistorasiaan, merkkivalo vilkkuu punaisena (1 sekunnin välein).

**Taulukko 1**

Merkkivalon merkitykset				
Merkkivalo (punainen)	Ennen latausta	Vilkkuu	Palaa 0,5 sekunnin ajan. Ei pala 0,5 sekunnin ajan. (sammuu 0,5 sekunniksi)	/
	Ladattaessa	Palaa	Palaa jatkuvasti	
	Lataus suoritettu	Vilkkuu	Palaa 0,5 sekunnin ajan. Ei pala 0,5 sekunnin ajan. (sammuu 0,5 sekunniksi)	
	Ylikuumentumisen aiheuttama odotustila	Vilkkuu	Palaa 1 sekunnin ajan. Ei pala 0,5 sekunnin ajan. (sammuu 0,5 sekunniksi)	

**(2) Mitä tulee ladattavan pariston lämpötilaan**

Ladattavien paristojen lämpötilat näkyvät alla olevasta taulukosta. Kuumentunutta paristorja tulee jäähdyttää jonkin aikaa, ennen kuin niitä yritetään ladata.

**Taulukko 2**

Ladattava paristo	Lämpötilat joissa paristo voidaan ladata
EB712S, EB7S, EB714S, FEB7S, EB7B, EB912S, EB9S, EB914S, EB914, FEB9S, EB9B, EB924, EB1212S, EB12S, EB1214S, EB1214L, FEB12S, EB12B, EB1220BL, EB1224, EB1226H, EB1412S, EB1414S, EB1414, EB14B, EB1424, EB1812S, EB1814SL, EB18B, EB1820, EB1820L, EB1824L	-5°C — 55°C
EB926H, EB930H, EB933X, EB1226H, EB1230H, EB1230HL, EB1230X, EB1233X, EB1426H, EB1430H, EB1430X, EB1433X, EB1826HL, EB1830H, EB1830HL, EB1830X, EB1833X	-5°C — 50°C
BCL1415, BCL1430, EBL1430, BCL1815, EBM1830	0°C — 50°C

**2. Aseta akku laturiin.**

Aseta akku niin, että se menee laturin pohjaan saakka ja että napaisuudet tulevat **kuvassa 1** näytetyllä tavalla.

**VAROITUS:**

- Jos paristot asetetaan väärinpäin, ei ainoastaan lataaminen käy mahdolltomaksi vaan se saattaa aiheuttaa myös sulakkeen palamisen tai ongelmia laturiin, esimerkiksi epämuodostuneen latausliittimen.

**3. Lataaminen**

Kun paristo asetetaan laturiin, merkkivalo palaa jatkuvasti punaisena.

Kun paristo on täysin latautunut, merkkivalo vilkkuu punaisena (1 sekunnin välein). (Kasto **Taulukko 1**)

**(1) Merkkivalon merkitys**

Merkkivalon merkitykset näkyvät **Taulukosta 1** laturin tai ladattavan pariston tilan mukaisesti.

(3) Mitä tulee latausaikaan

**Taulukosta 3** näkyy paristotyyppin mukainen latausaika.

**Taulukko 3 Latausaika (likim. minuuteissa) 20° C lämmössä**

Akkujännite (V)		Akun kapasiteetti (Ah)										
		Nikkeli-kadmium-PARISTO					Nikkeli-metallihybridi(MH)-PARISTO					
		1,2-1,4 Ah		2,0 Ah		2,4 Ah	2,6 Ah		3,0 Ah		3,3 Ah	
7,2V	EB712S EB7S EB714S FEB7S (6 kennoa)	35min.	EB7B (6 kennoa)	60min.	—	—	—	—	—	—	—	
9,6V	EB912S EB914S EB9S EB914 FEB9S (8 kennoa)	35min.	EB9B (8 kennoa)	60min.	EB924 (8 kennoa)	70min.	EB926H (8 kennoa)	80min.	EB930H (8 kennoa)	90min.	EB933X (8 kennoa)	90min.
12V	EB12S EB1212S EB1214S EB1214L FEB12S (10 kennoa)	35min.	EB12B EB120BL (10 kennoa)	60min.	EB1224 (10 kennoa)	70min.	EB1226H (10 kennoa)	80min.	EB1230H EB1230HL EB1230X (10 kennoa)	90min.	EB1233X (10 kennoa)	90min.
14,4V	EB1412S EB1414S EB1414 (12 kennoa)	35min.	EB14B (12 kennoa)	60min.	EB1424 (12 kennoa)	70min.	EB1426H (12 kennoa)	80min.	EB1430H EB1430X (12 kennoa)	90min.	EB1433X (12 kennoa)	90min.
18V	EB1812S EB1814SL (15 kennoa)	35min.	EB18B EB1820L EB1820 (15 kennoa)	60min.	EB1824L (15 kennoa)	70min.	EB1826HL (15 kennoa)	80min.	EB1830H EB1830HL EB1830X (15 kennoa)	90min.	EB1833X (15 kennoa)	90min.

Akkujännite (V)		Akun kapasiteetti (Ah)			
		Li-ion PARISTO			
		1,5 Ah		3,0 Ah	
14,4V	BCL1415 (4 kennoa)	40min.	BCL1430 (8 kennoa) EBL1430 (4 cells)	90min.	
18V	BCL1815 (5 kennoa)	40min.	EBM1830 (10 kennoa)	90min.	

**HUOM:** Latausaika saattaa vaihdella ympäristön lämpötilan mukaan.

**4. Irrota laturin verkkojohto vaihtovirtapistoriasta.**

**5. Pidä laturista kiinni lujasti ja vedä akku pois.**

**HUOM!**

Ota paristo pois lataajasta käytön jälkeen ja pane se säilöön.

**Mitä tulee sähkön tuotantokykyyn uusien paristojen ollessa kyseessä jne.**

Koska uusien paristojen ja kauan käyttämättöminä olleiden paristojen sisäinen kemiallinen aineosa ei aktivoitu, sähkön tuotantokyky saattaa olla alhainen paristoja ensimmäisiä kertoja käytettäessä. Tämä on väliaikainen ilmiö. Normaali latausaika palautuu lataamalla paristoja 2-3 kertaa.

**Kuinka paristot saa toimimaan kauemmin.**

- (1) Lataa paristot ennen kuin ne täysin tyhjenevät. Kun tunnet työkalun tehon heikkenevän, sammuta se ja lataa paristo. Mikäli jatkat tällöin käyttöä ja kulutat sähkövirtaa, paristo vahingoittuu ja sen kestoikä lyhenee.
- (2) Älä lataa korkeissa lämpötiloissa. Ladattava paristo on kuuma heti käytön jälkeen. Jos paristo ladataan heti käytön jälkeen, sen sisäinen kemikaalinen ainesosa heikkenee ja paristoikä lyhenee. Anna pariston jäähtyä hetken aikaa.

## VAROITUS

- Jos paristo ladataan sen ollessa kuuma pitkän auringossa olon jälkeen tai heti käytön jälkeen, laturin merkkivalo palaa 1 sekunnin ja ei pala 0,5 sekuntia (on pois päältä 0,5 sekuntia). Lataa paristo vasta sen jäähdettyä.
- Koska kestää noin 3 sekuntia ennen kuin sisäinen mikrotietokone varmistaa että laturilla UC18YGL2 ladattava paristo on ulkona, odota ainakin 3 sekuntia ennen kuin laitat sen uudelleen sisään ja jatkat lataamista. Jos paristo laitetaan sisään 3 sekunnin kuluessa, se ei lataudu kunnolla.

---

## HUOLTO JA TARKISTUKSET

---

### 1. Kiinnitystruuvien tarkistus:

Tarkista säännöllisesti kaikki kiinnitysruuvit ja varmista, että ne ovat tiukassa. Mikäli joku ruuveista on löystynyt, kiristä se välittömästi. Laiminlyönti voi aiheuttaa vaaratilanteen.

### 2. Laturin puhdistus

Jos laturi on tahraantunut, puhdista se pehmeällä kuivalla tai saippuaveteen kostutetulla rievulla.

Älä käytä kloriittisia nesteitä, bensiiniä tai tinneriä, sillä ne sulattavat muovivia.

### 3. Laturin säilytys

Kun laturi ei ole käytössä, säilytä sitä kuivassa ja korkeassa tai lukitussa paikassa lasten ulottumattomissa.

### 4. Huolto-osalista

A: Kohtanr.

B: Koodinr.

C: Käytetty nr.

D: Huomautuksia

## HUOMAUTUS

Hitachi-sähkötyökalujen korjaukset, muutokset ja tarkastukset on teetettävä valtuutetussa Hitachi-huoltokeskuksessa.

Osalista on hyödyllinen, kun se annetaan yhdessä työkalun kanssa valtuutettuun Hitachi-huoltokeskukseen korjausta tai huoltoa pyydettyä. Sähkötyökalujen käytössä ja huollossa on aina noudatettava kussakin maassa voimassa olevia turvaohjeita ja normeja.

## MUUTOKSET

Hitachi-sähkötyökaluja parannetaan ja muutetaan jatkuvasti niin, että niihin saadaan sisällytettyä uusin teknologia. Tästä johtuen jotkut osat (esim. koodinumero ja/tai ulkonäkö) saattavat muuttua ilman ennakoilmoitusta.

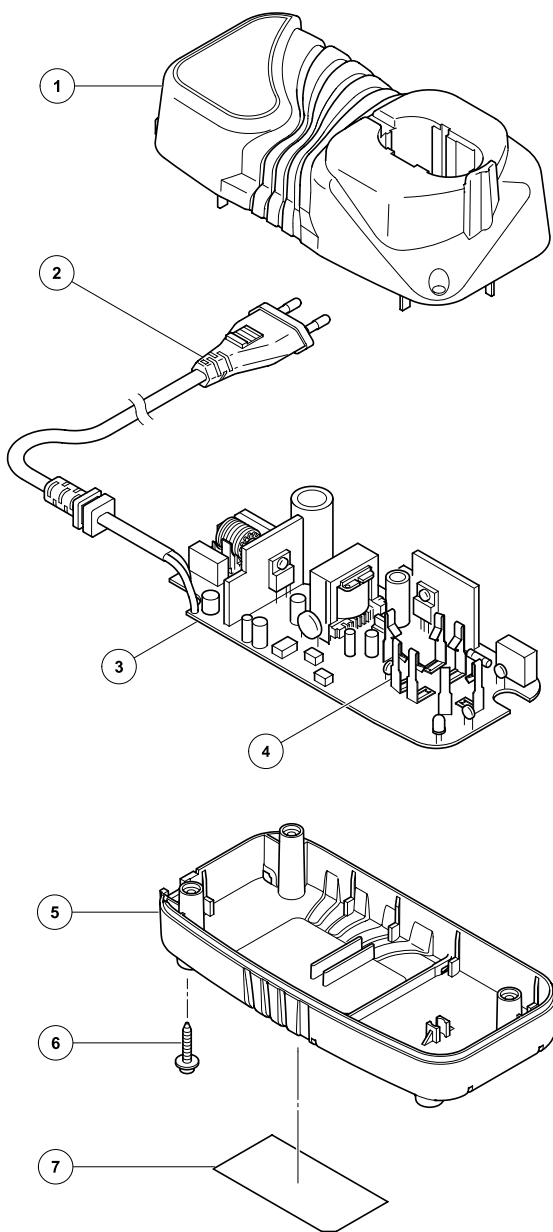
---

## HUOM

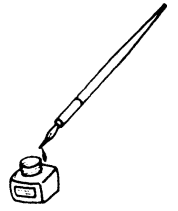
Koska HITACHI jatkuvasti kehittää tuotteitaan, pidättää valmistaja oikeuden muuttaa teknisiä tietoja ilman eri ilmoitusta.

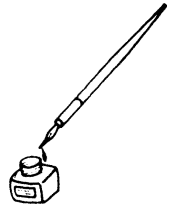
---







A	B	C	D
1	329-634	1	
2		1	
3	329-637	1	230V-240V "4, 5"
4	326-285	7	
5	329-635	1	
6	326-358	3	D3×8
7		1	





<p><b>English</b></p> <p><b>EC DECLARATION OF CONFORMITY</b></p> <p>We declare under our sole responsibility that this product is in conformity with standards or standardized documents EN60335, EN55014 and EN61000 in accordance with Council Directives 2006/95/EC and 2004/108/EC.</p> <p>This declaration is applicable to the product affixed CE marking.</p>	<p><b>Português</b></p> <p><b>DECLARAÇÃO DE CONFORMIDADE CE</b></p> <p>Declaramos, sob nossa única e inteira responsabilidade, que este produto está de acordo com as normas ou documentos normativos EN60335, EN55014 e EN61000, em conformidade com as Diretrizes 2006/95/CE e 2004/108/CE do Conselho.</p> <p>Esta declaração se aplica aos produtos designados CE.</p>
<p><b>Deutsch</b></p> <p><b>ERKLÄRUNG ZUR KONFORMITÄT MIT CE-REGELN</b></p> <p>Wir erklären mit alleiniger Verantwortung, daß dieses Produkt den Standards oder standardisierten Dokumenten EN60335, EN55014 und EN61000 in Übereinstimmung mit den Direktiven des Europarats 2006/95/CE und 2004/108/CE entspricht.</p> <p>Diese Erklärung gilt für Produkte, die die CE-Markierung tragen.</p>	<p><b>Ελληνικά</b></p> <p><b>ΕΚ ΔΗΛΩΣΗ ΕΝΑΡΜΟΝΙΣΜΟΥ</b></p> <p>Δηλώνουμε με απόλυτη υπευθυνότητα ότι αυτό το προϊόν είναι εναρμονισμένο με τα πρότυπα ή τα έγγραφα προτύπων EN60335, EN55014 και EN61000 σε συμφωνία με τις Οδηγίες του Συμβουλίου 2006/95/EK και 2004/108/EK.</p> <p>Αυτή η δήλωση ισχύει στο προϊόν με το σημάδι CE.</p>
<p><b>Français</b></p> <p><b>DECLARATION DE CONFORMITE CE</b></p> <p>Nous déclarons sous notre seule et entière responsabilité que ce produit est conforme aux normes ou documents normalisés EN60335, EN55014 et EN61000 en accord avec les Directives 2006/95/CE et 2004/108/CE du Conseil.</p> <p>Cette déclaration s'applique aux produits désignés CE.</p>	<p><b>Svenska</b></p> <p><b>EF-DEKLARATION BETRÄFFANDE LIKFORMIGHET</b></p> <p>Vi tillkännagiv med eget ansvar att denna produkt överensstämmer med standard eller standardiserat dokument EN60335, EN55014 och EN61000 i enlighet med råddirektiven 2006/95/EF och 2004/108/EF.</p> <p>Denna deklaration gäller för CE-märkningen på produkten.</p>
<p><b>Italiano</b></p> <p><b>DICHIARAZIONE DI CONFORMITÀ CE</b></p> <p>Si dichiara sotto nostra responsabilità che questo prodotto è conforme agli standard o ai documenti standardizzati EN60335, EN55014 e EN61000 conforme alle direttive 2006/95/CE e 2004/108/CE del concilio.</p> <p>Questa dichiarazione è applicabile ai prodotti cui sono applicati i marchi CE.</p>	<p><b>Dansk</b></p> <p><b>EF-OVERENSSTEMMELSESERKLÆRING</b></p> <p>Vi erklærer os fuldstændige ansvarlige for, at dette produkt modsvarer gældende standard eller de standardiserede dokumenter EN60335, EN55014 og EN61000 i overensstemmelse med EF-direktiver 2006/95/EF og 2004/108/EF.</p> <p>Denne erklæring gælder produkter, der er mærket med CE.</p>
<p><b>Nederlands</b></p> <p><b>EC VERKLARING VAN CONFORMITEIT</b></p> <p>Wij verklaren onder eigen verantwoordelijkheid dat dit product conform de richtlijnen of gestandaardiseerde documenten EN60335, EN55014 en EN61000 voldoet aan de eisen van EEG Bepalingen 2006/95/EC en 2004/108/EC.</p> <p>Deze verklaring is van toepassing op producten voorzien van de CE-markeringen.</p>	<p><b>Norsk</b></p> <p><b>EF's ERKLÆRING OM OVERENSSTEMMELSE</b></p> <p>Vi erklærer herved at vi påtar oss eneansvaret for at dette produktet er i overensstemmelse med normer eller standardiserte dokumenter EN60335, EN55014 og EN61000 i samsvar med Rådsdirektiver 2006/95/EF og 2004/108/EF.</p> <p>Denne erklæringen gjelder produktets påklistrede CE-merking.</p>
<p><b>Español</b></p> <p><b>DECLARACIÓN DE CONFORMIDAD DE LA CE</b></p> <p>Declaramos bajo nuestra única responsabilidad que este producto está de acuerdo con las normas o con los documentos de normalización EN60335, EN55014 y EN61000 según indican las Directrices del Consejo 2006/95/CE y 2004/108/CE.</p> <p>Esta declaración se aplica a los productos con marcas de la CE.</p>	<p><b>Suomi</b></p> <p><b>EY-ILMOITUS YHDENMUKAISUUDESTA</b></p> <p>Yksinomaisella vastuudella vakuutamme, että tämä tuote vastaa normeja tai normitettuja dokumentteja EN60335, EN55014 ja EN61000 yhteisön ohjeiden 2006/95/EY ja 2004/108/EY mukaisesti.</p> <p>Tämä ilmoitus sovelletaan tuotekohtaiseen CE-merkintään.</p>
<p>Representative office in Europe  <b>Hitachi Power Tools Europe GmbH</b>  Siemensring 34, 47877 Willich 1, F. R. Germany</p> <p>Head office in Japan  <b>Hitachi Koki Co., Ltd.</b>  Shinagawa Intercity Tower A, 15-1, Konan 2-chome,  Minato-ku, Tokyo, Japan</p> <div style="text-align: right;">  <p>29. 2. 2008</p>  <p>K. Kato Board Director</p> </div>	

 **Hitachi Koki Co., Ltd.**

802  
Code No. C99172771  
Printed in China