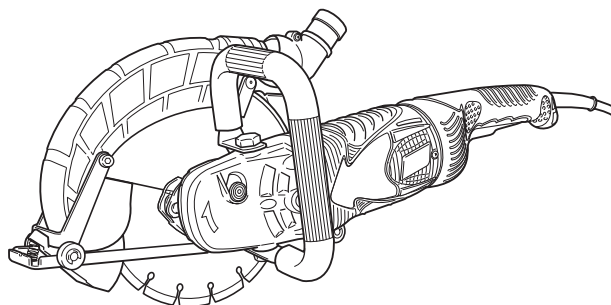


Cutter
Steinsäge
Scie à béton
Elettro-troncatrice
Steenzaagmachine
Cortadora
Cortadora

CM 9SR • CM 9UBY

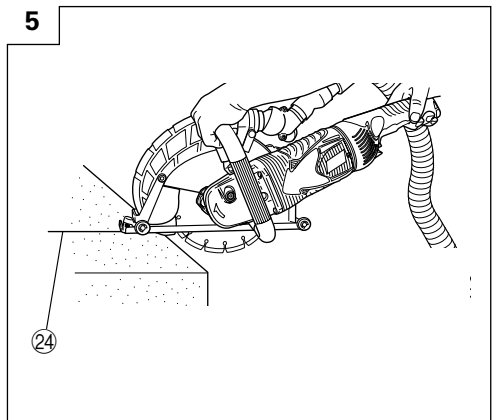
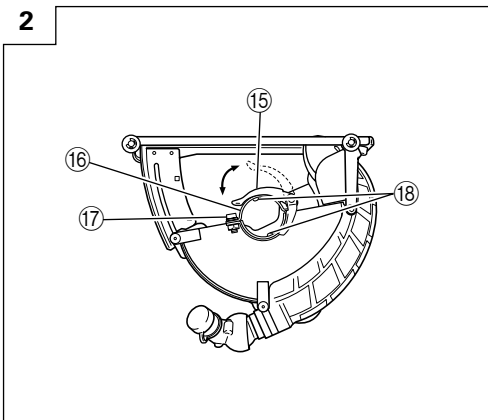
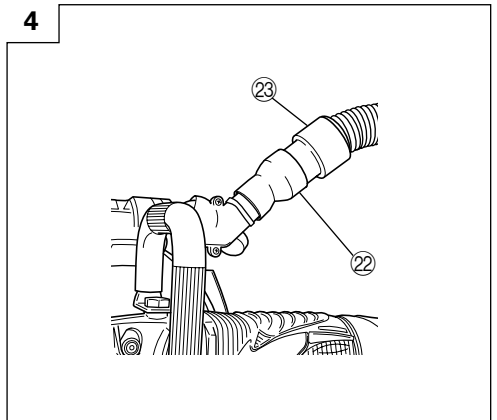
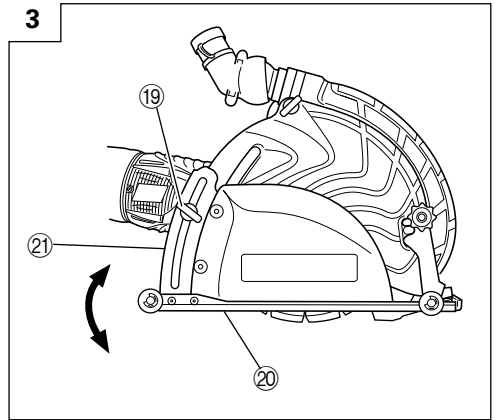
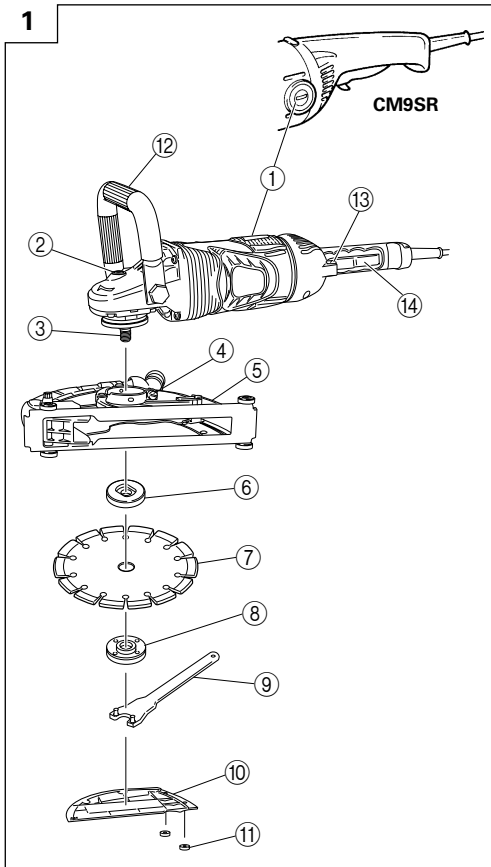


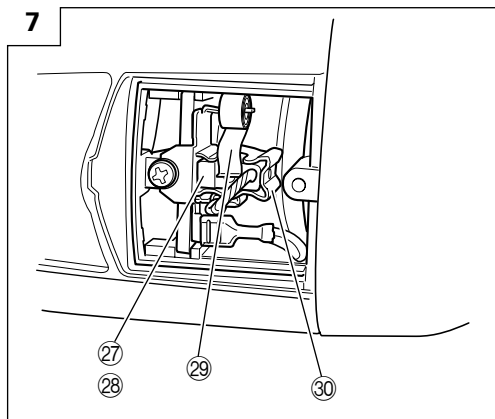
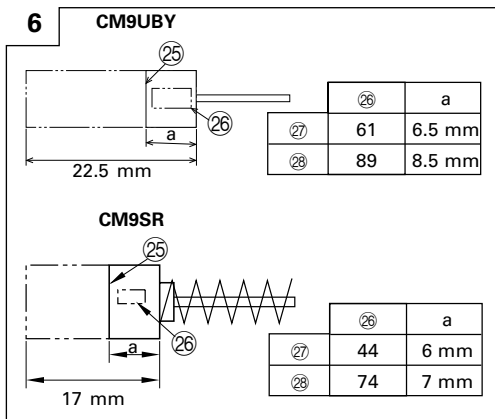
CM9UBY

Read through carefully and understand these instructions before use.
Diese Anleitung vor Benutzung des Werkzeugs sorgfältig durchlesen und verstehen.
Lire soigneusement et bien assimiler ces instructions avant usage.
Prima dell'uso leggere attentamente e comprendere queste istruzioni.
Deze gebruiksaanwijzing s.v.p. voor gebruik zorgvuldig doorlezen.
Leer cuidadosamente y comprender estas instrucciones antes del uso.
Antes de usar, leia com cuidado para assimilar estas instruções.



Handling instructions
Bedienungsanleitung
Mode d'emploi
Istruzioni per l'uso
Gebruiksaanwijzing
Instrucciones de manejo
Instruções de uso













	English	Deutsch	Français	Italiano
①	Brush cover	Bürstenabdeckung	Couvercle de charbon	Coperchio spazzole
②	Push button (Spindle lock)	Druckknopf (Sperrplatte)	Bouton-poussoir (blocage d'arbre)	Tasto di blocco dell'asse
③	Spindle	Spindel	Arbre	Asse
④	Screw	Schraube	Vis	Vite
⑤	Dust collection cover	Staubsammelabdeckung	Capot du collecteur de poussière	Coperchio raccogli-polvere
⑥	Wheel washer	Unterlegscheibe	Rondelle de la meule	Rondella "grover"
⑦	Diamond wheel	Diamantscheibe	Disque diamant	Disco diamantato
⑧	Wheel nut	Mutter für die Schleifscheibe	Ecrou de la meule	Dado ad anello
⑨	Wrench	Schlüssel	Cleft	Chiave
⑩	Cover (B)	Abdeckung (B)	Capot (B)	Coperchio (B)
⑪	Knob nut	Knopfmutter	Ecrou du bouton	Dado della manopola
⑫	Pipe handle	Rohrhandgriff	Poignée de tuyau	Impugnatura tubo
⑬	Lock button	Sperrknopf	Touche de verrouillage	Tasto di blocco
⑭	Switch	Schalter	Interrupteur	Interruttore
⑮	Lever	Hebel	Levier	Leva
⑯	Set piece	Stellstück	Pièce fixée	Pezzo di arresto
⑰	Screw	Schraube	Vis	Vite
⑱	Locating pin	Passtift	Tige de positionnement	Perno di posizionamento
⑲	Wing nut	Flügelschraube	Boulon-papillon	Dado a farfalla
⑳	Base	Grundplatte	Base	Base
㉑	Cutting depth adjusting link	Schnitttiefeinstellvorrichtung	Articulation de réglage de la profondeur de découpe	Collegamento di regolazione profondità di taglio
㉒	Adaptor	Adapter	Adaptateur	Adattatore
㉓	Dust collection hose	Staubabscheiderschlauch	Tuyau souple du collecteur de poussière	Tube raccogli-polvere
㉔	Cutting line	Schnittlinie	Ligne de découpe	Linea di taglio
㉕	Wear limit	Verschleißgrenze	Limite d'usure	Limite di usura
㉖	No. of carbon brush	Nr. der Kohlebürste	No. du balai en carbone	N. della spazzola di carbone
㉗	Usual carbon brush	Gewöhnliche Kohlebürste	Balai en carbone ordinaire	Spazzola di carbone comune
㉘	Auto-stop carbon brush	Auto-Stop Kohlebürste	Balai en carbone à arrêt	Spazzola di carbone ad arresto
㉙	Spring	Feder	Ressort	Molla
㉚	Brush holder	Bürstenhalter	Support de balai	Portaspazzola
CM9SR				
①	Brush cap	Bürstendeckel	Capot de balai	Cappuccio della spazzola

	Nederlands	Español	Português
①	Borstel-afdekking	Cubierta de la escobilla	Protetor da escova
②	Drukknop (as-vergrendeling)	Botón pulsador (bloqueo del eje)	Botão de pressão (Bloqueio do eixo)
③	As	Eje	Eixo
④	Schroef	Tornillo	Parafuso
⑤	Stofverzamelkap	Cubierta de recogida de polvo	Tampa de recolha de pó
⑥	Onderlegschiif	Arandela molar	Porca de roda
⑦	Diamantschiif	Adiamantado	Disco adiamantado
⑧	Schiifmoer	Contratuercas molar	Arruela de roda
⑨	Sleutel	Llave para tuercas	Chave inglesa
⑩	Kap (B)	Cubierta (B)	Tampa (B)
⑪	Knopmoer	Perno	Porca do manípulo
⑫	Pijphandgreep	Asidero de tubo	Empunhadreira de tubo
⑬	Vergrendelknop	Botón de seguridad	Botão de bloqueio
⑭	Schakelaar	Conmutador	Interruptor
⑮	Hendel	Palanca	Alavanca
⑯	Stelstuk	Pieza de ajuste	Peça de ajuste
⑰	Schroef	Tornillo	Parafuso
⑱	Paspen	Pasador de posicionamiento	Pino de localização
⑲	Vleugelmoer	Perno de mariposa	Porca de orelhas
⑳	Basisplaat	Base	Base
㉑	Snijdiepte-afstelverbinding	Enlace de ajuste de la profundidad de corte	Ligação de ajuste da profundidade de corte
㉒	Adapter	Adaptador	Adaptador
㉓	Stofverzamel slang	Manguera de recogida de polvo	Tubo flexível de recolha de pó
㉔	Snijlijn	Línea de corte	Linha de corte
㉕	Slijtagegrens	Límite de uso	Límite de desgaste
㉖	Nr. van de koolborstel	No. de carbón de contacto	Nº de escova de carvão
㉗	Normale koolborstel	Escobilla de carbón usual	Escova de carvão comum
㉘	Auto-stop koolborstel	Escobilla de carbón de parada	Escova de carvão de parada automática
㉙	Veer	Resorte	Mola
㉚	Borstelhouder	Portaescobilla	Suporte de escova

CM9SR

①	Borstelkap	Tapa de la escobilla	Protetor da escova
---	------------	----------------------	--------------------

	Symbols ⚠ WARNING The following show symbols used for the machine. Be sure that you understand their meaning before use.	Symbole ⚠ WARNUNG Die folgenden Symbole werden für diese Maschine verwendet. Achten Sie darauf, diese vor der Verwendung zu verstehen.	Symboles ⚠ AVERTISSEMENT Les symboles suivants sont utilisés pour l'outil. Bien se familiariser avec leur signification avant d'utiliser l'outil.	Simboli ⚠ AVVERTENZA Di seguito mostriamo i simboli usati per la macchina. Assicurarsi di comprenderne il significato prima dell'uso.
	Read all safety warnings and all instructions. Failure to follow the warnings and instructions may result in electric shock, fire and/or serious injury.	Lesen Sie sämtliche Sicherheitshinweise und Anweisungen durch. Wenn die Warnungen und Anweisungen nicht befolgt werden, kann es zu Stromschlag, Brand und/oder ernsthaften Verletzungen kommen.	Lire tous les avertissements de sécurité et toutes les instructions. Tout manquement à observer ces avertissements et instructions peut engendrer des chocs électriques, des incendies et/ou des blessures graves.	Leggere tutti gli avvertimenti di sicurezza e tutte le istruzioni. La mancata osservanza degli avvertimenti e delle istruzioni potrebbe essere causa di scosse elettriche, incendi e/o gravi lesioni.
	Always wear eye protection.	Tragen Sie immer einen Augenschutz.	Toujours porter des verres de protection.	Indossate sempre le protezioni oculari.
	Always wear hearing protection.	Stets Gehörschutz tragen.	Porter des protections anti-bruit en permanence.	Indossare sempre i dispositivi di protezione acustica.
	Only for EU countries Do not dispose of electric tools together with household waste material! In observance of European Directive 2002/96/EC on waste electrical and electronic equipment and its implementation in accordance with national law, electric tools that have reached the end of their life must be collected separately and returned to an environmentally compatible recycling facility.	Nur für EU-Länder Werfen Sie Elektrowerkzeuge nicht in den Hausmüll! Gemäss Europäischer Richtlinie 2002/96/EG über Elektro- und Elektronik- Altgeräte und Umsetzung in nationales Recht müssen verbrauchte Elektrowerkzeuge getrennt gesammelt und einer umweltgerechten Wiederverwertung zugeführt werden.	Pour les pays européens uniquement Ne pas jeter les appareils électriques dans les ordures ménagères! Conformément à la directive européenne 2002/96/EG relative aux déchets d'équipements électriques ou électroniques (DEEE), et à sa transposition dans la législation nationale, les appareils électriques doivent être collectés à part et être soumis à un recyclage respectueux de l'environnement.	Solo per Paesi UE Non gettare le apparecchiature elettriche tra i rifiuti domestici. Secondo la Direttiva Europea 2002/96/CE sui rifiuti di apparecchiature elettriche ed elettroniche e la sua attuazione in conformità alle norme nazionali, le apparecchiature elettriche esauste devono essere raccolte separatamente, al fine di essere reimpiagate in modo eco-compatibile.
	Symboelen ⚠ WAARSCHUWING Hieronder staan symbolen afgebeeld die van toepassing zijn op deze machine. U moet de betekenis hiervan begrijpen voor gebruik.	Símbolos ⚠ ADVERTENCIA A continuación se muestran los símbolos usados para la máquina. Asegúrese de comprender su significado antes del uso.	Símbolos ⚠ AVISO A seguir aparecem os símbolos utilizados pela máquina. Assimile bem seus significados antes do uso.	
	Lees alle waarschuwingen en instructies aandachtig door. Nalating om de waarschuwingen en instructies op te volgen kan in een elektrische schok, brand en/of ernstig letsel resulteren.	Lea todas las instrucciones y advertencias de seguridad. Si no se siguen las advertencias e instrucciones, podría producirse una descarga eléctrica, un incendio y/o daños graves.	Leia todas as instruções e avisos de segurança. Se não seguir todas as instruções e os avisos, pode provocar um choque eléctrico, incêndio e/ou ferimentos graves.	
	Draag altijd oogbescherming.	Utilice siempre una protección ocular.	Utilize sempre proteção para os olhos.	
	Draag altijd gehoorbescherming.	Utilice siempre protecciones auriculares.	Use sempre proteção auditiva.	
	Alleen voor EU-landen Geef elektrisch gereedschap niet met het huisvuil mee! Volgens de Europese richtlijn 2002/96/EG inzake oude elektrische en elektronische apparaten en de toepassing daarvan binnen de nationale wetgeving, dient gebruikt elektrisch gereedschap gescheiden te worden ingezameld en te worden afgevoerd naar een recycle bedrijf dat voldoet aan de geldende milieu-eisen.	Sólo para países de la Unión Europea ¡No deseché los aparatos eléctricos junto con los residuos domésticos! De conformidad con la Directiva Europea 2002/96/CE sobre residuos de aparatos eléctricos y electrónicos y su aplicación de acuerdo con la legislación nacional, las herramientas eléctricas cuya vida útil haya llegado a su fin se deberán recoger por separado y trasladar a una planta de reciclaje que cumpla con las exigencias ecológicas.	Apenas para países da UE Não deite ferramentas elétricas no lixo doméstico! De acordo com a directiva europeia 2002/96/CE sobre ferramentas eléctricas e electrónicas usadas e a transposição para as leis nacionais, as ferramentas eléctricas usadas devem ser recolhidas em separado e encaminhadas a uma instalação de reciclagem dos materiais ecológica.	

GENERAL POWER TOOL SAFETY WARNINGS**⚠ WARNING**

Read all safety warnings and all instructions.

Failure to follow the warnings and instructions may result in electric shock, fire and/or serious injury.

Save all warnings and instructions for future reference.

The term "power tool" in the warnings refers to your mains-operated (corded) power tool or battery-operated (cordless) power tool.

1) Work area safety**a) Keep work area clean and well lit.**

Cluttered or dark areas invite accidents.

b) Do not operate power tools in explosive atmospheres, such as in the presence of flammable liquids, gases or dust.

Power tools create sparks which may ignite the dust or fumes.

c) Keep children and bystanders away while operating a power tool.

Distractions can cause you to lose control.

2) Electrical safety**a) Power tool plugs must match the outlet.**

Never modify the plug in any way.

Do not use any adapter plugs with earthed (grounded) power tools.

Unmodified plugs and matching outlets will reduce risk of electric shock.

b) Avoid body contact with earthed or grounded surfaces, such as pipes, radiators, ranges and refrigerators.

There is an increased risk of electric shock if your body is earthed or grounded.

c) Do not expose power tools to rain or wet conditions.

Water entering a power tool will increase the risk of electric shock.

d) Do not abuse the cord. Never use the cord for carrying, pulling or unplugging the power tool. Keep cord away from heat, oil, sharp edges or moving parts.

Damaged or entangled cords increase the risk of electric shock.

e) When operating a power tool outdoors, use an extension cord suitable for outdoor use.

Use of a cord suitable for outdoor use reduces the risk of electric shock.

f) If operating a power tool in a damp location is unavoidable, use a residual current device (RCD) protected supply.

Use of an RCD reduces the risk of electric shock.

3) Personal safety**a) Stay alert, watch what you are doing and use common sense when operating a power tool. Do not use a power tool while you are tired or under the influence of drugs, alcohol or medication.**

A moment of inattention while operating power tools may result in serious personal injury.

b) Use personal protective equipment. Always wear eye protection.

Protective equipment such as dust mask, non-skid safety shoes, hard hat, or hearing protection used for appropriate conditions will reduce personal injuries.

c) Prevent unintentional starting. Ensure the switch is in the off-position before connecting to power source and/or battery pack, picking up or carrying the tool.

Carrying power tools with your finger on the switch or energising power tools that have the switch on invites accidents.

d) Remove any adjusting key or wrench before turning the power tool on.

A wrench or a key left attached to a rotating part of the power tool may result in personal injury.

e) Do not overreach. Keep proper footing and balance at all times.

This enables better control of the power tool in unexpected situations.

f) Dress properly. Do not wear loose clothing or jewellery. Keep your hair, clothing and gloves away from moving parts.

Loose clothes, jewellery or long hair can be caught in moving parts.

g) If devices are provided for the connection of dust extraction and collection facilities, ensure these are connected and properly used.

Use of dust collection can reduce dust related hazards.

4) Power tool use and care**a) Do not force the power tool. Use the correct power tool for your application.**

The correct power tool will do the job better and safer at the rate for which it was designed.

b) Do not use the power tool if the switch does not turn it on and off.

Any power tool that cannot be controlled with the switch is dangerous and must be repaired.

c) Disconnect the plug from the power source and/or the battery pack from the power tool before making any adjustments, changing accessories, or storing power tools.

Such preventive safety measures reduce the risk of starting the power tool accidentally.

d) Store idle power tools out of the reach of children and do not allow persons unfamiliar with the power tool or these instructions to operate the power tool.

Power tools are dangerous in the hands of untrained users.

e) Maintain power tools. Check for misalignment or binding of moving parts, breakage of parts and any other condition that may affect the power tools operation.

If damaged, have the power tool repaired before use.

Many accidents are caused by poorly maintained power tools.

f) Keep cutting tools sharp and clean.

Properly maintained cutting tools with sharp cutting edges are less likely to bind and are easier to control.

g) Use the power tool, accessories and tool bits etc. in accordance with these instructions, taking into account the working conditions and the work to be performed.

Use of the power tool for operations different from those intended could result in a hazardous situation.

5) Service

- a) **Have your power tool serviced by a qualified repair person using only identical replacement parts.**

This will ensure that the safety of the power tool is maintained.

PRECAUTION

Keep children and infirm persons away.

When not in use, tools should be stored out of reach of children and infirm persons.

CUT-OFF MACHINE SAFETY WARNINGS

- a) **The guard provided with the tool must be securely attached to the power tool and positioned for maximum safety, so the least amount of wheel is exposed towards the operator. Position yourself and bystanders away from the plane of the rotating wheel.**

The guard helps to protect operator from broken wheel fragments and accidental contact with wheel.

- b) **Use only diamond cut-off wheels for your power tool.**

Just because an accessory can be attached to your power tool, it does not assure safe operation.

- c) **The rated speed of the accessory must be at least equal to the maximum speed marked on the power tool.**

Accessories running faster than their rated speed can break and fly apart.

- d) **Wheels must be used only for recommended applications. For example: do not grind with the side of cut-off wheel.**

Abrasive cut-off wheels are intended for peripheral grinding, side forces applied to these wheels may cause them to shatter.

- e) **Always use undamaged wheel flanges that are of correct diameter for your selected wheel.**

Proper wheel flanges support the wheel thus reducing the possibility of wheel breakage.

- f) **The outside diameter and the thickness of your accessory must be within the capacity rating of your power tool.**

Incorrectly sized accessories cannot be adequately guarded or controlled.

- g) **The arbour size of wheels and flanges must properly fit the spindle of the power tool.**

Wheels and flanges with arbour holes that do not match the mounting hardware of the power tool will run out of balance, vibrate excessively and may cause loss of control.

- h) **Do not use damaged wheels. Before each use, inspect the wheels for chips and cracks. If power tool or wheel is dropped, inspect for damage or install an undamaged wheel. After inspecting and installing the wheel, position yourself and bystanders away from the plane of the rotating wheel and run the power tool at maximum no load speed for one minute.**

Damaged wheels will normally break apart during this test time.

- i) **Wear personal protective equipment. Depending on application, use face shield, safety goggles or safety glasses. As appropriate, wear dust mask, hearing protectors, gloves and shop apron capable of stopping small abrasive or workpiece fragments.**

The eye protection must be capable of stopping flying debris generated by various operations. The dust mask or respirator must be capable of filtering particles generated by your operation. Prolonged exposure to high intensity noise may cause hearing loss.

- j) **Keep bystanders a safe distance away from work area. Anyone entering the work area must wear personal protective equipment.**

Fragments of workpiece or of a broken wheel may fly away and cause injury beyond immediate area of operation.

- k) **Hold the power tool by insulated gripping surfaces only, when performing an operation where the cutting accessory may contact hidden wiring or its own cord.**

Cutting accessory contacting a "live" wire may make exposed metal parts of the power tool "live" and could give the operator an electric shock.

- l) **Position the cord clear of the spinning accessory.**

If you lose control, the cord may be cut or snagged and your hand or arm may be pulled into the spinning wheel.

- m) **Never lay the power tool down until the accessory has come to a complete stop.**

The spinning wheel may grab the surface and pull the power tool out of your control.

- n) **Do not run the power tool while carrying it at your side.**

Accidental contact with the spinning accessory could snag your clothing, pulling the accessory into your body.

- o) **Regularly clean the power tool's air vents.**

The motor's fan will draw the dust inside the housing and excessive accumulation of powdered metal may cause electrical hazards.

- p) **Do not operate the power tool near flammable materials.**

Sparks could ignite these materials.

- q) **Do not use accessories that require liquid coolants.**

Using water or other liquid coolants may result in electrocution or shock.

Kickback and related warnings

Kickback is a sudden reaction to a pinched or snagged rotating wheel. Pinching or snagging causes rapid stalling of the rotating wheel which in turn causes the uncontrolled power tool to be forced in the direction opposite of the wheel's rotation at the point of the binding.

For example, if an abrasive wheel is snagged or pinched by the workpiece, the edge of the wheel that is entering into the pinch point can dig into the surface of the material causing the wheel to climb out or kick out. The wheel may either jump toward or away from the operator, depending on direction of the wheel's movement at the point of pinching. Abrasive wheels may also break under these conditions.

Kickback is the result of power tool misuse and/or incorrect operating procedures or conditions and can be avoided by taking proper precautions as given below.

- a) **Maintain a firm grip on the power tool and position your body and arm to allow you to resist kickback forces. Always use auxiliary handle, if provided, for maximum control over kickback or torque reaction during start-up.**

The operator can control torque reactions or kickback forces, if proper precautions are taken.

- b) **Never place your hand near the rotating accessory.**
Accessory may kickback over your hand.
- c) **Do not position your body in line with the rotating wheel.**
Kickback will propel the tool in direction opposite to the wheel's movement at the point of snagging.
- d) **Use special care when working corners, sharp edges etc. Avoid bouncing and snagging the accessory.**
Corners, sharp edges or bouncing have a tendency to snag the rotating accessory and cause loss of control or kickback.
- e) **Do not attach a saw chain, woodcarving blade, segmented diamond wheel with a peripheral gap greater than 10 mm or toothed saw blade.**
Such blades create frequent kickback and loss of control.
- f) **Do not "jam" the wheel or apply excessive pressure. Do not attempt to make an excessive depth of cut.**
Overstressing the wheel increases the loading and susceptibility to twisting or binding of the wheel in the cut and the possibility of kickback or wheel breakage.
- g) **When wheel is binding or when interrupting a cut for any reason, switch off the power tool and hold the power tool motionless until the wheel comes to a complete stop. Never attempt to remove the wheel from the cut while the wheel is in motion otherwise kickback may occur.**
Investigate and take corrective action to eliminate the cause of wheel binding.
- h) **Do not restart the cutting operation in the workpiece. Let the wheel reach full speed and carefully re-enter the cut.**
The wheel may bind, walk up or kickback if the power tool is restarted in the workpiece.

- i) **Support panels or any oversized workpiece to minimize the risk of wheel pinching and kickback.**
Large workpieces tend to sag under their own weight. Supports must be placed under the workpiece near the line of cut and near the edge of the workpiece on both sides of the wheel.
- j) **Use extra caution when making a "pocket cut" into existing walls or other blind areas.**
The protruding wheel may cut gas or water pipes, electrical wiring or objects that can cause kickback.

PRECAUTION ON USING CUTTER

1. Never attach any tool except the diamond wheel as specified by the manufacturer.
Do not operate the cutter while applying water.
2. Always check the diamond wheel before starting the machine. If it is cracked, broken or bent, do not use it. Carefully start the machine to check for other abnormalities.
3. Using the diamond wheel to cut metal will shorten its service life or will result in breakage. Never use the diamond wheel to cut metal.
4. Start working only when maximum rotation speed is reached.
5. Excessive force overloads the motor and reduces working efficiency and service life. Always cut concrete, tile or stone with a cutting depth of 50mm or less. If the cutting depth is more than 50mm, cut the workpiece 2 or 3 times. If the workpiece is cut with a cutting depth of more than 50mm, the service life of the diamond wheel will be reduced and the motor may seize.
6. Do not use this machine to cut asbestos.
7. In operations using a cutting wheel, if flame comes out, cover the dust collection adaptor with a rubber cap and be sure to wear protective glasses.

SPECIFICATIONS

Model	CM9SR	CM9UBY
Voltage (by areas)*1	(110 V, 230 V) ~	
Power input*1	2000 W	2600 W
No-load speed	6600 min ⁻¹	
Dimensions of diamond wheel	Outer dia. 230 mm Thickness 2.5 mm Hole dia. 22.23 mm	
Max. cutting depth	60 mm	
Weight (without cord and diamond wheel)	7.7 kg	8.1 kg
Starting current limiter*2	No	Yes

*1 Be sure to check the nameplate on product as it is subject to change by areas.

*2 The starting current limiter produces the starting current to such an extent that a fuse (16 A, slow-blow) is not tripped.

STANDARD ACCESSORIES

- (1) Wrench 1
 - (2) Adaptor 1
- Standard accessories are subject to change without notice.

APPLICATION

- Cutting or scribing concrete
- Cutting or scribing tile
- Cutting or scribing stone
- Cutting or scribing roof tile

PRIOR TO OPERATION

1. Power source

Ensure that the power source to be utilized conforms to the power requirements specified on the product nameplate.

2. Power switch

Ensure that the power switch is in the OFF position. If the plug is connected to a power receptacle while the power switch is in the ON position, the power tool will start operating immediately, which could cause a serious accident.

3. Extension cord

When the work area is removed from the power source, use an extension cord of sufficient thickness and rated capacity. The extension cord should be kept as short as practicable.

4. Checking and installing the diamond wheel

Check the diamond wheel is a specified one and is not cracked, broken or bent. Check the diamond wheel is installed securely. For installation, refer to "Installing/removing diamond wheel".

5. Fitting and adjusting the dust collection cover (Fig. 1, Fig. 2)

The dust collection cover is a protective device to prevent injury should the diamond wheel shatter during operation. Ensure that the cover is properly fitted and fastened before commencing cutting operation.

[Installing and adjusting the dust collection cover]

- Open the lever and insert the locating pin of dust collection cover, bringing it into line with the across flats of packing ground.
 - Then, turn the dust collection cover to a desired position (for use).
 - Close the lever and fix it. If and when required, carry out adjustments by tightening or loosening the screw.
 - If the lever does not move smoothly, apply some lubricating oil to the sliding section between the set piece and the lever.
 - Fasten the dust collection cover at the position where the across flats of the dust collection cover positioning pin and packing ground are aligned (the position where the dust collection cover is inserted), but do not use it.
- ### 6. Confirm the spindle lock mechanism
- Confirm that the spindle lock is disengaged by pushing push button two or three times before switching the power tool on (See Fig. 1).
- ### 7. Cutting depth adjustment (Fig. 3)
- Lowering the wing nut will loosen and raising it will tighten.

Loosening the wing nut and moving the base will allow adjustment of the cutting depth.

CAUTIONS

Leaving the wing nut loosened may result in injury. Securely tighten the wing nut after adjusting the cutting depth.

INSTALLING DUST COLLECTION HOSE

When cutting a material which generates cutting dust, use the dust collection hose as follows:

- (1) Remove the rubber cap and install the accessory adaptor. (Fig. 4)

- (2) Install the dust collector hose for the power tool in the accessory adaptor. (Fig. 4)

CAUTION

Always install a rubber cap on the dust collection adaptor when the dust collection hose is not used.

INSTALLING/REMOVING DIAMOND WHEEL

1. Installation

- (1) Loosen the knob nut and remove the cover (B).
- (2) Wipe the cutting dust from the spindle and washers.
- (3) Make sure the rotation direction of the diamond wheel conforms to the direction indicated on the gear case and install the diamond wheel as shown in Fig. 1.
- (4) Press the lock pin and secure the spindle. Tighten the wheel nut adequately with the provided wrench. (Fig. 1)

NOTE

Always use the provided wrench to secure the wheel nut.

2. Removal

Remove the wheel nut with the provided wrench and remove the diamond wheel. (Fig. 1)

CUTTING

1. Cutting procedures (Fig. 5)

- (1) Place this tool on the material to be cut and align the cutting line and the diamond wheel.
The cutting can be performed smoothly if you cut straight ahead on the cutting line in the initial cut.
- (2) Turn on the switch when the diamond wheel is not touching the material to be cut.

2. Switch operation

Switch ON: Push the locking button forward and then press the switch lever.

* For continuous use, press the switch lever. The switch lever is locked by pushing the locking button forward once again.

(*Subject to change depending on area.)

Switch OFF: Press and release the switch lever.

3. Precautions immediately after finishing operation

After switching off the machine, do not put it down until the depressed center wheel has come to a complete stop. Apart from avoiding serious accidents, this precaution will reduce the amount of dust and swarf sucked into the machine.

CAUTION

- Always check the diamond wheel before starting work. Never use a diamond wheel which is cracked, broken or bent.
- Do not apply water or coolant to the diamond wheel.
- Start cutting only when diamond wheel reaches its maximum speed.
- If the diamond wheel seizes or there is any abnormal noise, immediately turn the power off.
- Never use the diamond wheel to cut zigzag or curved lines. Never use the side surface of the diamond wheel. Never use to perform inclination cutting.

- If excessive force is applied to the diamond wheel to make it align with the cutting line during cutting, this might not only overload the motor and cause burn damage but may also overheat the diamond wheel and shorten the service life.
- Secure the workpiece. A workpiece clamped with clamping devices or in a vice is held more securely than by hand.
- Take care not to allow the power cord to come into contact with the diamond wheel during operation.
- When the work is completed, turn the power off and disconnect the power plug from the receptacle.

MAINTENANCE AND INSPECTION

1. Inspection the diamond wheel

A worn diamond wheel overloads the motor and reduces working efficiency. Replace with a new one.

2. Diamond wheel clogging

The rate of wear of the diamond layer cutting edge will vary depending on the type of material being cut, the cutting speed, etc. In general, materials which produce granular cutting particles may scrape the bodying agent and hasten the wear of the diamond layer. On the other hand, materials which produce powdery cutting particles may cause clogging of the diamond layer which will reduce cutting efficiency. When clogging occurs, additional force applied in an attempt to increase cutting speed will sometime cause sparks to appear around the circumference of the diamond wheel. In such a case, stop using the cutter and carefully inspect the cutting edge by rubbing it with your fingers. If the diamond layer feels smooth (no roughness or abrasiveness), it is clogged with dust and must be "dressed". For thorough dressing, approximately 5 meters of slightly accelerated cutting at a depth of 10mm in a relative soft material which produces granular cutting particles (such as a cement block or brick) will restore the cutting effectiveness of the diamond layer and will extend the service life of the diamond wheel.

The diamond material is susceptible to high temperatures and will begin to deteriorate at approximately 600°C. Higher temperatures will cause decomposition of the diamond material. Accordingly, it is important to perform "dressing" as soon as clogging or sparking occurs.

3. Inspecting the mounting screws

Regularly inspect all mounting screws and ensure that they are properly tightened. Should any of the screws be loose, retighten them immediately. Failure to do so could result in serious hazard.

4. Maintenance of the motor

The motor unit winding is the very "heart" of the power tool. Exercise due care to ensure the winding does not become damaged and/or wet with oil or water.

5. Inspecting the carbon brushes (Fig. 6)

The motor employs carbon brushes which are consumable parts. When they become worn to or near the "wear limit", it could result in motor trouble. When an auto-stop carbon brush is equipped, the motor will stop automatically.

At that time, replace both carbon brushes with new ones which have the same carbon brush numbers shown in the figure. In addition, always keep carbon brushes clean and ensure that they slide freely within the brush holders.

6. Replacing carbon brushes

CM9UBY (Fig. 7)

<Disassembly>

- (1) Loosen the D4 tapping screw retaining the brush cover and remove the brush cover.
- (2) Use the auxiliary hexagonal wrench or small screwdriver to pull up the edge of the spring that is holding down the carbon brush. Remove the edge of the spring toward the outside of the brush holder.
- (3) Remove the end of the pig-tail on the carbon brush from the terminal section of brush holder and then remove the carbon brush from the brush holder.

<Assembly>

- (1) Insert the end of the pig-tail of the carbon brush in the terminal section of brush holder.
- (2) Insert the carbon brush in the brush holder.
- (3) Use the auxiliary hexagonal wrench or small screwdriver to return the edge of the spring to the head of the carbon brush.
- (4) Mount the brush cover and tighten the D4 tapping screw.

CM9SR

Disassemble the brush cap with a slotted-head screwdriver. The carbon brush can then be easily removed.

7. Service parts list

CAUTION:

Repair, modification and inspection of HiKOKI Power Tools must be carried out by a HiKOKI Authorized Service Center.

This Parts List will be helpful if presented with the tool to the HiKOKI Authorized Service Center when requesting repair or other maintenance.

In the operation and maintenance of power tools, the safety regulations and standards prescribed in each country must be observed.

MODIFICATIONS:

HiKOKI Power Tools are constantly being improved and modified to incorporate the latest technological advancements.

Accordingly, some parts may be changed without prior notice.

GUARANTEE

We guarantee HiKOKI Power Tools in accordance with statutory/country specific regulation. This guarantee does not cover defects or damage due to misuse, abuse, or normal wear and tear. In case of complaint, please send the Power Tool, undismantled, with the GUARANTEE CERTIFICATE found at the end of this Handling instruction, to a HiKOKI Authorized Service Center.

NOTE

Due to HiKOKI's continuing program of research and development, the specifications herein are subject to change without prior notice.

IMPORTANT**Correct connection of the plug**

The wires of the mains lead are coloured in accordance with the following code:

Blue: –Neutral
Brown: –Live

As the colours of the wires in the mains lead of this tool may not correspond with the coloured markings identifying the terminals in your plug proceed as follows: The wire coloured blue must be connected to the terminal marked with the letter N or coloured black. The wire coloured brown must be connected to the terminal marked with the letter L or coloured red. Neither core must be connected to the earth terminal.

NOTE

This requirement is provided according to BRITISH STANDARD 2769: 1984.

Therefore, the letter code and colour code may not be applicable to other markets except the United Kingdom.

● Information about power supply system of nominal voltage 230 V~ (For CM9SR only)

Under unfavorable mains conditions, this power tool may cause *transient voltage drops* or *interfering voltage fluctuations*.

This power tool is intended for the connection to a power supply system with a maximum permissible system impedance Z_{MAX} of 0.28 Ohm at the interface point (power service box) of the user's supply.

The user has to ensure that this power tool is connected only to a power supply system which fulfills the requirement above.

If necessary, the user can ask the public power supply company for the system impedance at the interface point.

Information concerning airborne noise and vibration

The measured values were determined according to EN60745 and declared in accordance with ISO 4871.

Measured A-weighted sound power level: 111 dB (A).
Measured A-weighted sound pressure level: 100 dB (A).
Uncertainty KpA: 3 dB (A).

Wear hearing protection.

Vibration total values (triax vector sum) determined according to EN60745.

CM9SR

Vibration emission value $a_h = 5.0 \text{ m/s}^2$
Uncertainty K = 1.5 m/s^2

CM9UBY

Vibration emission value $a_h = 2.9 \text{ m/s}^2$
Uncertainty K = 1.5 m/s^2

The declared vibration total value has been measured in accordance with a standard test method and may be used for comparing one tool with another.

It may also be used in a preliminary assessment of exposure.

WARNING

- The vibration emission during actual use of the power tool can differ from the declared total value depending on the ways in which the tool is used.
- Identify safety measures to protect the operator that are based on an estimation of exposure in the actual conditions of use (taking account of all parts of the operating cycle such as the times when the tool is switched off and when it is running idle in addition to the trigger time).

ALLGEMEINE SICHERHEITSHINWEISE FÜR ELEKTROGERÄTE

⚠️ WARNUNG

Lesen Sie sämtliche Sicherheitshinweise und Anweisungen durch

Wenn die Warnungen und Anweisungen nicht befolgt werden, kann es zu Stromschlag, Brand und/oder ernsthaften Verletzungen kommen.

Bitte bewahren Sie alle Warnhinweise und Anweisungen zum späteren Nachschlagen auf.

Der Begriff „Elektrowerkzeug“ bezieht sich in den Warnhinweisen auf Elektrowerkzeuge mit Netz-(schnurgebunden) oder Akkubetrieb (schnurlos).

1) Sicherheit im Arbeitsbereich

- Sorgen Sie für einen sauberen und gut ausgeleuchteten Arbeitsbereich.**
Zugestellte oder dunkle Bereiche ziehen Unfälle förmlich an.
- Verwenden Sie Elektrowerkzeuge niemals an Orten, an denen Explosionsgefahr besteht – zum Beispiel in der Nähe von leicht entflammaren Flüssigkeiten, Gasen oder Stäuben.**
Bei der Arbeit mit Elektrowerkzeugen kann es zu Funkenbildung kommen, wodurch sich Stäube oder Dämpfe entzünden können.
- Sorgen Sie bei der Arbeit mit Elektrowerkzeugen dafür, dass sich keine Zuschauer (insbesondere Kinder) in der Nähe befinden.**
Wenn Sie abgelenkt werden, können Sie die Kontrolle über das Werkzeug verlieren.

2) Elektrische Sicherheit

- Elektrowerkzeuge müssen mit passender Stromversorgung betrieben werden.**
Nehmen Sie niemals irgendwelche Änderungen am Anschlussstecker vor.
Verwenden Sie bei Elektrowerkzeugen mit Schutzkontakt (geerdet) niemals Adapterstecker. Stecker im Originalzustand und passende Steckdosen reduzieren das Stromschlagrisiko.
- Vermeiden Sie Körperkontakt mit geerdeten Gegenständen wie Rohrleitungen, Heizungen, Herden oder Kühlschränken.**
Bei Körperkontakt mit geerdeten Gegenständen besteht ein erhöhtes Stromschlagrisiko.
- Setzen Sie Elektrowerkzeuge niemals Regen oder sonstiger Feuchtigkeit aus.**
Wenn Flüssigkeiten in ein Elektrowerkzeug eindringen, erhöht sich das Stromschlagrisiko.
- Verwenden Sie das Anschlusskabel nicht missbräuchlich. Tragen Sie das Elektrowerkzeug niemals an der Anschlussschnur, ziehen Sie es nicht damit heran und ziehen Sie den Stecker nicht an der Anschlussschnur von der Steckdose. Halten Sie die Anschlussschnur von Hitzequellen, Öl, scharfen Kanten und beweglichen Teilen fern. Beschädigte oder verdrehte Anschlussschnüre erhöhen das Stromschlagrisiko.**
- Wenn Sie ein Elektrowerkzeug im Freien benutzen, verwenden Sie ein für den Außen Einsatz geeignetes Verlängerungskabel.**
Ein für den Außen Einsatz geeignetes Kabel vermindert das Stromschlagrisiko.
- Falls sich der Betrieb des Elektrowerkzeuges in feuchter Umgebung nicht vermeiden lässt, verwenden Sie eine Stromversorgung mit Fehlerstromschutzeinrichtung (Residual Current Device, RCD).**

Durch den Einsatz einer Fehlerstromschutzeinrichtung wird das Risiko eines elektrischen Schlages reduziert.

3) Persönliche Sicherheit

- Bleiben Sie wachsam, achten Sie auf das, was Sie tun, und setzen Sie Ihren Verstand ein, wenn Sie mit Elektrowerkzeugen arbeiten.**
Benutzen Sie keine Elektrowerkzeuge, wenn Sie müde sind oder unter Einfluss von Drogen, Alkohol oder Medikamenten stehen.
Bei der Arbeit mit Elektrowerkzeugen können bereits kurze Phasen der Unaufmerksamkeit zu schweren Verletzungen führen.
 - Benutzen Sie eine persönliche Schutzausrüstung. Tragen Sie immer einen Augenschutz.**
Schutzausrüstung wie Staubmaske, rutschsichere Sicherheitsschuhe, Schutzhelm und Gehörschutz senken das Verletzungsrisiko bei angemessenem Einsatz.
 - Vermeiden Sie unbeabsichtigtes Einschalten. Achten Sie darauf, dass sich der Schalter in der Aus- (Off-) Position befindet, ehe Sie das Gerät mit der Stromversorgung und/oder Batteriestromversorgung verbinden, es aufheben oder herumtragen.**
Das Herumtragen von Elektrowerkzeugen mit dem Finger am Schalter oder das Herstellen der Stromversorgung bei betätigtem Schalter zieht Unfälle regelrecht an.
 - Entfernen Sie sämtliche Einstellwerkzeuge (Einstellschlüssel), ehe Sie das Elektrowerkzeug einschalten.**
Ein an einem beweglichen Teil des Elektrowerkzeugs angebrachter Schlüssel kann zu Verletzungen führen.
 - Sorgen Sie für einen festen Stand. Achten Sie jederzeit darauf, sicher zu stehen und das Gleichgewicht zu bewahren.**
Dadurch haben Sie das Elektrowerkzeug in unerwarteten Situationen besser im Griff.
 - Kleiden Sie sich richtig. Tragen Sie keine lose Kleidung oder Schmuck. Halten Sie Haar, Kleidung und Handschuhe von beweglichen Teilen fern.**
Lose Kleidung, Schmuck oder langes Haar kann von beweglichen Teilen erfasst werden.
 - Wenn Anschlüsse für Staubabsaug- und -sammelvorrichtungen vorhanden sind, sorgen Sie dafür, dass diese richtig angeschlossen und eingesetzt werden.**
Durch Entfernen des Staubes können staubbezogene Gefahren vermindert werden.
- #### 4) Einsatz und Pflege von Elektrowerkzeugen
- Überansprechen Sie Elektrowerkzeuge nicht. Benutzen Sie das richtige Elektrowerkzeug für Ihren Einsatzzweck.**
Das richtige Elektrowerkzeug erledigt seine Arbeit bei bestimmungsgemäßem Einsatz besser und sicherer.
 - Benutzen Sie das Elektrowerkzeug nicht, wenn es sich nicht am Schalter ein- und ausschalten lässt.**
Jedes Elektrowerkzeug, das nicht mit dem Schalter betätigt werden kann, stellt eine Gefahr dar und muss repariert werden.
 - Stecken Sie den Stecker der Stromversorgung oder Batteriestromversorgung vom Gerät ab, ehe Sie Einstellarbeiten vornehmen, Zubehörteile tauschen oder das Elektrowerkzeug verstauen.**
Solche präventiven Sicherheitsmaßnahmen verhindern den unbeabsichtigten Anlauf des Elektrowerkzeugs und die damit verbundenen Gefahren.

- d) Lagern Sie nicht benutzte Elektrowerkzeuge außerhalb der Reichweite von Kindern, lassen Sie nicht zu, dass Personen das Elektrowerkzeug bedienen, die nicht mit dem Werkzeug selbst und/oder diesen Anweisungen vertraut sind. *Elektrowerkzeuge in ungeschulten Händen sind gefährlich.*
- e) Halten Sie Elektrowerkzeuge in Stand. Prüfen Sie auf Fehlausrichtungen, sicheren Halt und Leichtgängigkeit beweglicher Teile, Beschädigungen von Teilen und auf jegliche andere Zustände, die sich auf den Betrieb des Elektrowerkzeugs auswirken können. Bei Beschädigungen lassen Sie das Elektrowerkzeug reparieren, ehe Sie es benutzen. *Viele Unfälle mit Elektrowerkzeugen sind auf schlechte Wartung zurückzuführen.*
- f) Halten Sie Schneidwerkzeuge scharf und sauber. *Richtig gewartete Schneidwerkzeuge mit scharfen Schneidkanten bleiben weniger häufig hängen und sind einfacher zu beherrschen.*
- g) Benutzen Sie Elektrowerkzeuge, Zubehör, Werkzeugspitzen und Ähnliches in Übereinstimmung mit diesen Anweisungen – beachten Sie dabei die jeweiligen Arbeitsbedingungen und die Art und Weise der auszuführenden Arbeiten. *Der Gebrauch des Elektrowerkzeuges für andere als die vorgesehenen Anwendungen kann zu gefährlichen Situationen führen.*
- 5) Service
- a) Lassen Sie Elektrowerkzeuge durch qualifizierte Fachkräfte und unter Einsatz passender, zugelassener Originalteile warten. *Dies sorgt dafür, dass die Sicherheit des Elektrowerkzeugs nicht beeinträchtigt wird.*

VORSICHT

Von Kindern und gebrechlichen Personen fernhalten. Werkzeuge sollten bei Nichtgebrauch außerhalb der Reichweite von Kindern und gebrechlichen Personen aufbewahrt werden.

SICHERHEITSHINWEISE FÜR DIE STEINSÄGE

- a) Die mit dem Werkzeug gelieferte Schutzabdeckung muss am Elektrowerkzeug sicher befestigt und für maximale Sicherheit positioniert sein, so dass der geringste Teil der Säge­scheibe zum Bediener hin offen liegt. Sie selbst und umstehende Personen dürfen nicht in der Ebene der rotierenden Säge­scheibe stehen. *Die Schutzabdeckung schützt den Bediener vor abgebrochenen Bruchstücken der Säge­scheibe und vor zufälliger Berührung mit der Säge­scheibe.*
- b) Benutzen Sie für Ihr Elektrowerkzeug nur Diamant-Säge­scheiben. *Nur weil ein Zubehör an Ihrem Elektrowerkzeug angebracht werden kann, heißt das noch nicht, dass es einen sicheren Betrieb gewährleistet.*
- c) Die Sollgeschwindigkeit des Zubehörs muss mindestens gleich der auf dem Elektrowerkzeug angegebenen Höchstgeschwindigkeit sein. *Zubehöre, die schneller als ihre Sollgeschwindigkeit laufen, können brechen und auseinander fliegen.*
- d) Säge­scheiben dürfen nur für empfohlene Anwendungen benutzt werden. Zum Beispiel: Schleifen Sie nicht mit der Seite der Säge­scheibe. *Schleifscheiben sind zum peripheren Schleifen gedacht, seitliche Kräfte, die auf diese Scheiben einwirken, können sie zertrümmern.*
- e) Benutzen Sie immer nur unbeschädigte Scheibenflansche, die den richtigen Durchmesser für Ihre ausgewählte Säge­scheibe haben. *Scheibenflansche der richtigen Größe halten die Säge­scheibe und verringern damit die Wahrscheinlichkeit, dass die Säge­scheibe bricht.*
- f) Der Außendurchmesser und die Stärke Ihres Zubehörs müssen der Nennleistung Ihres Elektrowerkzeugs entsprechen. *Zubehöre der falschen Größe können nicht adäquat abgedeckt oder unter Kontrolle gehalten werden.*
- g) Die Wellenlochgröße von Säge­scheiben und Flanschen muss richtig auf die Spindel des Elektrowerkzeugs passen. *Säge­scheiben und Flansche mit Wellenlöchern, die nicht zur Befestigungsvorrichtung des Elektrowerkzeugs passen, laufen aus der Wuchtung, vibrieren übermäßig und können einen Verlust der Kontrolle verursachen.*
- h) Benutzen Sie keine beschädigten Säge­scheiben. Überprüfen Sie die Säge­scheiben vor jeder Benutzung auf Abschlagstellen und Risse. Sollten das Elektrowerkzeug oder eine Säge­scheibe zu Boden fallen, prüfen Sie sie auf Schäden, oder montieren Sie eine unbeschädigte Säge­scheibe. Nach Überprüfung und Montage der Säge­scheibe positionieren Sie sich und umstehende Personen weg von der Ebene der rotierenden Säge­scheibe und lassen das Elektrowerkzeug eine Minute lang ohne Last auf Höchstgeschwindigkeit laufen. *Beschädigte Säge­scheiben brechen normalerweise bereits während dieser Testzeit.*
- i) Tragen Sie persönliche Schutzausrüstung. Benutzen Sie je nach Anwendung einen Gesichtsschild, eine Sicherheitsaugenmaske, oder eine Sicherheitsbrille. Tragen Sie vorschriftsmäßig eine Staubmaske, Gehörschutz, Handschuhe und eine Arbeitsschürze, die kleine Säge­splitter oder Bruchstücke des Werkstücks abhalten kann. *Der Augenschutz muss fliegende Trümmer, die bei verschiedenen Arbeiten anfallen, stoppen könnten. Die Staubmaske oder das Atemgerät muss Partikel filtern können, die von Ihrer Arbeit erzeugt werden. Längere Aussetzung zu Lärm mit hoher Intensität kann zu Hörverlust führen.*
- j) Halten Sie umstehende Personen in einem Sicherheitsabstand vom Arbeitsbereich. Jeder, der den Arbeitsbereich betritt, muss persönliche Schutzausrüstung tragen. *Bruchstücke des Werkstücks oder von einer gebrochenen Säge­scheibe können weg fliegen und auch über den unmittelbaren Arbeitsbereich hinaus Verletzungen verursachen.*
- k) Halten Sie das Elektrowerkzeug nur an den isolierten Griffflächen, wenn Sie eine Arbeit durchführen, bei der die Säge­scheibe verborgene Leitungen oder das Kabel des Elektrowerkzeugs berühren könnte. *Ein Schneidezubehör, das ein unter Strom stehendes Kabel berührt, kann freiliegende Metallteile des Elektrowerkzeugs unter Strom setzen und der Bediener kann einen Stromschlag abbekommen.*
- l) Halten Sie das Stromkabel von drehendem Zubehör fern. *Wenn Sie die Kontrolle verlieren, könnte das Stromkabel durchschnitten werden oder sich verfangen und Ihre Hand oder Ihr Arm könnten in die rotierende Säge­scheibe gezogen werden.*

- m) **Legen Sie das Elektrowerkzeug nie ab, bevor das Zubehör vollständig zum Stillstand gekommen ist.**
Die rotierende Sägescheibe könnte sich in der Oberfläche verhaken und das Elektrowerkzeug aus Ihrer Kontrolle weg ziehen.
- n) **Setzen Sie das Elektrowerkzeug nicht in Betrieb während Sie es an Ihrer Seite tragen.**
Durch zufällige Berührung mit dem rotierenden Zubehörs könnte sich Ihre Kleidung verfangen und das Zubehör in Ihren Körper ziehen.
- o) **Reinigen Sie die Lüftungsöffnungen des Elektrowerkzeugs regelmäßig.**
Das Motorgebläse zieht den Staub in das Gehäuse hinein und eine übermäßige Anhäufung von Metallstaub kann Stromgefahren verursachen.
- p) **Betreiben Sie das Elektrowerkzeug nicht in Nähe von entflammaren Stoffen.**
Funken könnten diese Stoffe entzünden.
- q) **Benutzen Sie keine Zubehöre, die flüssige Kühlmittel erfordern.**
Die Verwendung von Wasser oder anderen flüssigen Kühlmitteln kann zu Tod durch Stromschlag oder zu einem Schock führen.

Rückstoß und damit verbundene Warnungen

Ein Rückstoß ist eine plötzliche Reaktion auf eine eingeklemmte oder verhakte drehende Sägescheibe. Das Einklemmen oder Verhaken verursacht eine rasche Hemmung der rotierenden Scheibe, die wiederum das unkontrollierte Elektrowerkzeug in die Gegenrichtung der Drehrichtung der Scheibe am Punkt der Hemmung schnellen lässt.

Wenn sich beispielsweise eine Schleifscheibe verfängt, oder vom Werkstück eingeklemmt wird, kann sich die Kante der Scheibe, die in den Einklemmpunkt gerät, in die Oberfläche des Materials eingraben und bewirken, dass die Scheibe heraussteigt oder ausschlägt. Die Scheibe kann entweder zum Bediener hin, oder von ihm weg springen, je nach der Bewegungsrichtung der Scheibe am Einklemmpunkt. Schleifscheiben können unter diesen Bedingungen auch brechen.

Ein Rückstoß ist das Ergebnis eines Missbrauchs des Elektrowerkzeugs und/oder von falschen Arbeitsverfahren oder Bedingungen und kann vermieden werden, indem man die nachstehend angegebenen richtigen Vorsichtsmaßnahmen trifft.

- a) **Halten Sie das Elektrowerkzeug mit festem Griff und positionieren Sie Ihren Körper und Arm so, dass Sie Rückstoßkräften widerstehen können. Benutzen Sie, wenn dieser vorhanden ist, immer den Hilfsgriff, um maximale Kontrolle über eine Rückstoß- oder Verdrehungsreaktion beim Schnittanfang zu haben.**
Der Bediener kann Verdrehungsreaktionen oder Rückstoßkräfte kontrollieren, wenn angemessene Vorsichtsmaßnahmen ergriffen werden.
- b) **Legen Sie Ihre nie in Nähe des rotierenden Zubehörs auf.**
Das Zubehör könnte über Ihre Hand zurück schlagen.
- c) **Positionieren Sie Ihren Körper nicht in einer Linie mit der rotierenden Scheibe.**
Der Rückstoß wird das Werkzeug am Hemmpunkt in Gegenrichtung zur Bewegungsrichtung der Scheibe schleudern.
- d) **Seien Sie bei der Bearbeitung von Ecken, scharfen Kanten usw. besonders vorsichtig. Vermeiden Sie ein Springen oder Hängenbleiben des Zubehörs.**

Ecken, scharfe Kanten, oder ein Springen tendieren dazu, das rotierende Zubehör festzuhalten und einen Verlust der Kontrolle oder einen Rückstoß zu verursachen.

- e) **Montieren Sie kein Kettensägeblatt, Sägeblatt zum Holzschnneiden, keine segmentierte Sägescheibe mit einer peripheren Lücke von mehr als 10 mm und kein gezahntes Sägeblatt.**
Solche Sägeblätter erzeugen oft einen Rückstoß und Verlust der Kontrolle.
- f) **Blockieren Sie die Scheibe nicht und üben Sie keinen übermäßigen Druck aus. Versuchen Sie nicht, eine übermäßige Schnitttiefe zu erreichen.**
Eine zu starke Belastung der Scheibe erhöht die Beanspruchung und die Wahrscheinlichkeit, dass sich die Scheibe im Schnitt verbiegt oder festfrisst sowie die Wahrscheinlichkeit eines Rückstoßes oder eines Bruchs der Scheibe.
- g) **Wenn sich die Scheibe festfrisst, oder der Schnitt aus irgendeinem Grund unterbrochen wird, schalten Sie das Elektrowerkzeug ab und halten Sie es bewegungslos bis die Scheibe vollständig zum Stillstand gekommen ist. Versuchen Sie nie, die Scheibe aus dem Schnitt zu ziehen, während sie noch in Bewegung ist, sonst kann ein Rückstoß auftreten.**
Untersuchen Sie die Ursache des Festfressens der Scheibe und ergreifen Sie Maßnahmen, um sie zu beseitigen.
- h) **Starten Sie den Schneidevorgang im Werkstück nicht erneut. Lassen Sie die Scheibe volle Geschwindigkeit erreichen und senken Sie sie dann vorsichtig wieder in den Schnitt ab.**
Die Scheibe kann sich sonst festfressen, hoch getrieben werden, oder einen Rückstoß verursachen, wenn das Elektrowerkzeug im Werkstück erneut gestartet wird.
- i) **Stützen Sie Platten oder übergroße Werkstücke ab, um die Gefahr eines Einklemmens der Scheibe und von Rückstoß zu minimieren.**
Große Werkstücke tendieren dazu, sich unter ihrem eigenen Gewicht zu senken. Hier müssen Stützen unter dem Werkstück in Nähe der Schnittlinie und in Nähe der Kante des Werkstücks zu beiden Seiten der Scheibe angebracht werden.
- j) **Seien Sie besonders vorsichtig beim Durchführen eines Taschenschnitts in Wänden oder anderen Blindbereichen.**
Die vorstehende Scheibe kann Gas- oder Wasserleitungen, Stromleitungen oder Gegenstände anschneiden, die einen Rückstoß verursachen können.

VORSICHTSMASSNAHMEN BEI VERWENDUNG DER STEINSÄGE

1. Niemals andere Werkzeuge als die vom Hersteller festgelegte Diamantschleifscheibe anbringen. Beim Betrieb der Maschine mit dem Werkzeug kein Wasser zuführen.
2. Vor Inbetriebnahme der Maschine immer die Diamantschleifscheibe überprüfen. Nicht verwenden, wenn sie gerissen, gebrochen oder verbogen ist. Die Maschine vorsichtig starten und auf Unregelmäßigkeiten achten.
3. Wenn die Diamantschleifscheibe zum Schneiden von Metall verwendet wird, wird ihre Lebensdauer verkürzt, oder sie kann brechen. Daher die Diamantschleifscheibe niemals zum Schneiden von Metall verwenden.

4. Nur schneiden, wenn die Maschine die maximale Drehgeschwindigkeit erreicht hat.
5. Durch zu starke Belastung wird der Motor überladen, die Leistung reduziert und die Lebensdauer verkürzt. Beton, Fliesen oder Stein immer mit einer Schneidtiefe von 50mm oder weniger schneiden. Wenn die Schneidtiefe mehr als 50mm beträgt, das Werkstück 2 oder 3 mal schneiden. Wenn mit einer Schneidtiefe von mehr als 50mm geschnitten wird, wird die Lebensdauer der Diamantschleifscheibe verkürzt, und der Motor kann sich festfressen.
6. Die Maschine nicht zum Schneiden von Asbest verwenden.
7. Wenn beim Betrieb der Trennscheibe Funken austreten, den Staubsammleradapter mit einer Gummikappe abdecken und eine Schutzbrille tragen.

TECHNISCHE DATEN

Modell	CM9SR	CM9UBY
Spannung (je nach Gebiet)*1	(110 V, 230 V) ~	
Leistungsaufnahme*1	2000 W	2600 W
Leerlaufdrehzahl	6600 min ⁻¹	
Abmessungen der Diamantschleifscheibe	Außendurchmesser Dicke Lochdurchmesser	230 mm 2,5 mm 22,23 mm
Max. Schneidtiefe	60 mm	
Gewicht (ohne Kabel und Diamantschleifscheibe)	7,7 kg	8,1 kg
Anlaufstrombegrenzung*2	Nein	Ja

*1 Vergessen Sie nicht, die Produktangaben auf dem Typenschild zu überprüfen, da sich diese je nach Verkaufsgebiet ändern.

*2 Durch die Anlaufstrombegrenzung wird der Einschaltstrom so weit reduziert, daß eine Sicherung (16 A träge) nicht anspricht.

STANDARDZUBEHÖR

- (1) Schlüssel 1
 (2) Adapter 1
 Das Standardzubehör kann ohne vorherige Bekanntmachung jederzeit geändert werden.

ANWENDUNGSGEBIETE

- Schneiden oder Ritzen von Beton
- Schneiden oder Ritzen von Fliesen
- Schneiden oder Ritzen von Stein
- Schneiden oder Ritzen von Dachziegel

VOR DER INBETRIEBNAHME

- 1. Netzspannung**
Prüfen, ob die zu verwendende Netzspannung der Angabe auf dem Typenschild entspricht.
- 2. Netzschalter**
Prüfen, ob der Netzschalter auf „AUS“ steht. Wenn der Stecker an das Netz angeschlossen wird, während der Schalter auf „EIN“ steht, beginnt das Werkzeug sofort zu laufen, was gefährlich wäre.
- 3. Verlängerungskabel**
Wenn der Arbeitsbereich nicht in der Nähe des Netzanschlusses liegt, ist ein Verlängerungskabel ausreichenden Querschnitts und ausreichender Nennleistung zu verwenden. Das Verlängerungskabel sollte so kurz wie möglich gehalten werden.

4. Überprüfung und Installation der Diamantschleifscheibe

Überprüfen Sie, ob die Diamantschleifscheibe den Spezifikationen entspricht und nicht gerissen, gebrochen oder verbogen ist. Überprüfen Sie auch, ob die Diamantschleifscheibe sicher installiert ist. Beziehen Sie sich für die Installation auf „Installation/Ausbauen der Diamantschleifscheibe“.

5. Anbringen und Einstellen der Staubsammelabdeckung (Abb. 1, Abb. 2)

Die Staubsammelabdeckung ist eine Schutzvorrichtung, durch die Schaden verhindert werden soll, wenn die Diamantschleifscheibe während des Betriebs zerbrechen sollte. Es ist darauf zu achten, dass die Abdeckung ordnungsgemäß angebracht und befestigt ist, ehe mit der Schneidarbeit begonnen wird.

[Installieren und Einstellen der Staubsammelabdeckung]

- Öffnen Sie den Hebel, führen Sie den Passtift der Staubsammelabdeckung ein, und richten Sie ihn auf die Quervertiefungen des Dichtungsgrunds aus.
- Drehen Sie dann die Schleifscheibenhaube in die gewünschte Position (zum Gebrauch).
- Schließen Sie den Hebel, und fixieren Sie ihn. Führen Sie erforderlichenfalls Einstellungen durch Anziehen oder Lösen der Schraube durch.
- Falls der Hebel schwergängig ist, tragen Sie etwas Schmieröl auf die Gleitfläche zwischen dem Stellstück und dem Hebel auf.
- Befestigen Sie die Staubsammelabdeckung an der Position, an der die Abflachungen des Staubsammelabdeckungs-Anschlagstifts und des

Dichtungsgrunds ausgerichtet sind (Position, an der die Staubsammelabdeckung eingeschoben wird), ohne sie jedoch zu benutzen.

6. Überprüfen der Sperrstiftmechanik

Es ist zu überprüfen, ob die Sperrstift gelöst ist, indem zwei- oder dreimal vor Einschalten des Gerätes auf die Druckknopf gedrückt wird (siehe **Abb. 1**).

7. Schneidtiefeinstellung (**Abb. 3**)

Die Flügelmutter lässt sich durch Herunterdrücken lösen und durch Nachobendrücken festziehen. Durch Lösen der Flügelmutter und Verschieben der Basis kann die Schneidtiefe eingestellt werden.

VORSICHT

Eine gelöste Flügelmutter kann zu Verletzungen führen. Ziehen Sie die Flügelmutter nach der Einstellung der Schneidtiefe fest an.

INSTALLATION DES STAUBABSCHNEID-SCHLAUCHS

Beim Bearbeiten eines Materials, das Schneidstaub abgibt, den Staubabschneideschlauch wie folgt benutzen:

- (1) Die Gummikappe entfernen und den Zubehöradapter anbringen. (**Abb. 4**)
- (2) Den Schlauch des Werkzeugmaschinen-Staubabschneiders am Zubehöradapter anbringen. (**Abb. 4**)

VORSICHT

Immer eine Gummikappe auf dem Staubsammleradapter anbringen, wenn der Staubsammelschlauch nicht verwendet wird.

INSTALLATION/AUSBAUEN DER DIAMANTSCHLEIFSCHEIBE

1. Installation

- (1) Lösen Sie die Knopfmutter und entfernen Sie die Abdeckung (B).
- (2) Schneidstaub von der Spindel und vom Unterleging abwischen.
- (3) Sicherstellen, daß die Drehrichtung der Diamantschleifscheibe der auf dem Getriebekasten gezeigten Richtung entspricht, und die Einheit wie in **Abb. 1** gezeigt installieren.
- (4) Den Verriegelungsstift einschieben und die Spindel sichern. Die Schleifscheibenmutter ausreichend mit dem Schraubenschlüssel des Zubehörs anziehen. (**Abb. 1**)

ACHTUNG

Zum Anziehen der Schleifscheibenmutter immer den mitgelieferten Schlüssel verwenden.

2. Ausbauen

Die Schleifscheibenmutter mit dem mitgelieferten Schlüssel entfernen und die Diamantschleifscheibe ausbauen. (**Abb. 1**)

SCHNEIDEN

1. Schneidverfahren (**Abb. 5**)

- (1) Das Gerät auf das zu schneidende Material setzen und die Diamantschleifscheibe auf die Schnittlinie ausrichten. Schneiden kann glatt erfolgen, wenn Sie beim Anfangsschnitt gerade entlang der Schnittlinie schneiden.

- (2) Den Hauptschalter des Gerätes einschalten während die Diamantschleifscheibe das zu schneidende Material nicht berührt.

2. Betätigung des Schalters

Schalter in ON-Stellung:

Den Sperrknopf nach vorne drücken und dann den Schalterhebel drücken.

* Für Dauerbetrieb den Schalterhebel drücken. Der Schalterhebel wird durch einmaliges Vorwärtsdrücken des Sperrknopfes wieder gesperrt.

(* Änderungen je nach Vertriebsgebiet vorbehalten.)

Schalter in OFF-Stellung:

Den Schalterhebel drücken und loslassen.

3. Vorsichtsmaßnahmen unmittelbar nach Beendigung der Arbeit

Nach dem Ausschalten darf die Maschine erst abgelegt werden, wenn die Schleifscheibe völlig zum Stillstand gekommen ist. Abgesehen vom Vermeiden ernsthafter Unfälle wird durch diese Vorsichtsmaßnahme vermieden, daß Staub und Späne in die Maschine gesaugt werden.

VORSICHT

- Vor der Arbeit immer die Diamantschleifscheibe überprüfen. Niemals eine Diamantschleifscheibe verwenden, die gerissen, gebrochen oder verbogen ist.
- Der Diamantschleifscheibe kein Wasser oder Kühlmittel zuführen.
- Mit dem Schneiden erst beginnen, wenn die Diamantschleifscheibe die maximale Geschwindigkeit erreicht hat.
- Wenn die Diamantschleifscheibe sich festfrißt oder unnormale Geräusche auftreten, die Maschine sofort ausschalten.
- Die Diamantschleifscheibe niemals für Zick-Zack-Linien oder Kurven verwenden, niemals die Seitenflächen der Diamantschleifscheibe verwenden und niemals die Diamantschleifscheibe für schräge Schnitte verwenden.
- Wenn beim Schneiden übermäßige Kraft auf die Diamantschleifscheibe angewendet wird, um sie auf die Schnittlinie auszurichten, so kann dies nicht nur den Motor überlasten und Brandbeschädigung verursachen, sondern auch die Diamantschleifscheibe überhitzen und die Standzeit verringern.
- Sichern Sie das Werkstück. Ein mit Klammervorrichtungen oder in einem Schraubstock eingeklemmtes Werkstück wird sicherer gehalten, als von Hand.
- Darauf achten, daß das Netzkabel beim Betrieb nicht mit der Diamantschleifscheibe in Kontakt kommt.
- Nach Beendigung der Arbeit die Maschine ausschalten und das Netzkabel aus der Steckdose ziehen.

WARTUNG UND INSPEKTION

1. Inspektion der Diamantschleifscheibe

Eine abgenutzte Diamantschleifscheibe überlädt den Motor und reduziert die Arbeitsleistung. Die Diamantschleifscheibe durch eine neue ersetzen.

2. Diamantscheiben-Verstopfung

Die Verschleißrate der Diamantbeschichtungs-Schneidscheibe hängt von dem Typ des verwendeten Materials, der Schneidgeschwindigkeit usw. ab. Grundsätzlich neigen Materialien, die granuliert Schneidpartikel produzieren, dazu, das Bindemittel abzureiben und so den Verschleiß der Diamantbeschichtung zu beschleunigen. Andererseits können Materialien, die pulverförmige Schneidpartikel produzieren, Verstopfung der Diamantschicht bewirken und so die Schneideffizienz reduzieren. Wenn solche Verstopfung auftritt, bewirkt der Einsatz von mehr Kraft beim Versuch, die Schneidgeschwindigkeit wieder zu erhöhen, daß vom Rand der Schneidscheibe aus Funken fliegen. In diesem Fall das Werkzeug stoppen und sorgfältig die Schneidkante durch Reiben mit dem Finger insprizieren. Wenn die Diamantschicht sich glatt anfühlt (kein rauher, reibender Eindruck), ist sie mit Staub verstopft und muß „abgerichtet“ werden. Zum gründlichen Abrichten etwa 5m leicht beschleunigtes Schneiden mit einer Schneidtiefe von 10mm in relativ weichem Material durchführen, welches granulare Schneidpartikel produziert (wie Zementblöcke oder Ziegel). Dadurch wird die Schneidwirkung der Diamantbeschichtung wieder hergestellt und die Lebensdauer der Diamantscheibe erhöht.

Diamantmaterial ist hohen Temperaturen gegenüber anfällig und beginnt, bei etwa 600°C seine Wirkung zu verlieren. Noch höhere Temperaturen können das Diamantmaterial zerstören. Deshalb ist es wichtig, das „Abrichten“ so schnell wie möglich durchzuführen, wenn Verstopfung oder Funkenflug auftreten.

3. Inspektion der Befestigungsschrauben

Alle Befestigungsschrauben werden regelmäßig inspiziert und geprüft, ob sie gut angezogen sind. Wenn sich eine der Schrauben lockert, muß sie sofort wieder angezogen werden. Geschieht das nicht, kann das zu erheblichen Gefahren führen.

4. Wartung des Motors

Die Motorwicklung ist das „Herz“ des Elektrowerkzeugs. Daher ist besonders sorgfältig darauf zu achten, daß die Wicklung nicht beschädigt wird und/oder mit Öl oder Wasser in Berührung kommt.

5. Inspektion der Kohlebürsten (Abb. 6)

Im Motor sind Kohlebürsten verwendet, die Verbrauchsteile sind.

Wenn sie bis zur „Verschleißgrenze“ oder bis in die Nähe dieser Grenze abgenutzt werden, kann dies Motorstörungen verursachen. Wenn der Motor mit einer Auto-Stop-Kohlebürste ausgestattet ist, wird er automatisch anhalten.

Beide Kohlebürsten sollen dann durch neue ersetzt werden, die dieselbe Bürstenummer tragen, wie auf der Abbildung. Darüber hinaus müssen die Kohlebürsten immer sauber gehalten werden und müssen sich in der Bürstenhalterung frei bewegen können.

6. Austausch einer Kohlebürste

CM9UBY (Abb. 7)

<Zerlegen>

- (1) Lösen Sie die D4-Blechschaube, welche die Bürstenabdeckung hält, und entfernen Sie die Bürstenabdeckung.

- (2) Mit dem mitgelieferten Sechskantschlüssel oder einem Schraubenzieher die Kante der Feder hochziehen, die die Kohlenbürste nach unten drückt. Die Kante der Feder zur Außenseite des Kohlebürstenhalters hin herausziehen.

- (3) Die Kante der Anschlußlitze an der Kohlebürste von dem Anschlußteil des Bürstenhalters entfernen und die Kohlebürste aus dem Bürstenhalter nehmen.

<Baugruppe>

- (1) Das Ende der Kohlenbürsten-Anschlußlitze in den Anschlußteil des Bürstenhalters einstecken.

- (2) Die Kohlebürste in den Bürstenhalter einsetzen.

- (3) Die Kante der Feder mit dem mitgelieferten Sechskantschlüssel oder einem Schraubenzieher wieder zurück zum Kohlebürstenkopf drücken.

- (4) Die Bürstenabdeckung wieder ansetzen und mit den D4-Schneidschrauben anmontieren.

CM9SR

Der Bürstendeckel wird mit einem Steckschlüssel abmontiert. Dann kann die Kohlebürste leicht entfernt werden.

7. Liste der Wartungsteile

ACHTUNG:

Reparatur, Modifikation und Inspektion von HiKOKI-Elektrowerkzeugen müssen durch ein autorisiertes HiKOKI-Kundendienstzentrum durchgeführt werden. Diese Teileliste ist hilfreich, wenn sie dem autorisierten HiKOKI-Kundendienstzentrum zusammen mit dem Werkzeug für Reparatur oder Wartung ausgehändigt wird.

Bei Betrieb und Wartung von Elektrowerkzeugen müssen die Sicherheitsvorschriften und Normen beachtet werden.

MODIFIKATIONEN:

HiKOKI-Elektrowerkzeuge werden fortwährend verbessert und modifiziert, um die neuesten technischen Fortschritte einzubauen.

Dementsprechend ist es möglich, daß einige Teile ohne vorherige Benachrichtigung geändert werden.

GARANTIE

Auf HiKOKI-Elektrowerkzeuge gewähren wir eine Garantie unter Zugrundelegung der jeweils geltenden gesetzlichen und landesspezifischen Bedingungen. Dieses Garantie erstreckt sich nicht auf Gehäusedefekte und nicht auf Schäden, die auf Missbrauch, bestimmungswidrigen Einsatz oder normalen Verschleiß zurückzuführen sind.

ANMERKU

Aufgrund des ständigen Forschungs- und Entwicklungsprogramms von HiKOKI sind Änderungen der hier gemachten technischen Angaben nicht ausgeschlossen.

Information über Betriebslärm und Vibration

Die gemessenen Werte wurden entsprechend EN60745 bestimmt und in Übereinstimmung mit ISO 4871 ausgewiesen.

Gemessener A-gewichteter Schallpegel: 111 dB (A)

Gemessener A-gewichteter Schalldruck: 100 dB (A)

Messunsicherheit KpA: 3 dB (A)

Gehörschutz tragen.

Gesamtvibrationswerte (3-Achsen-Vektorsumme), bestimmt gemäß EN60745.

CM9SR

Vibrationsemissionswert $a_h = 5,0 \text{ m/s}^2$

Messunsicherheit K = 1,5 m/s^2

CM9UBY

Vibrationsemissionswert $a_h = 2,9 \text{ m/s}^2$

Messunsicherheit K = 1,5 m/s^2

Die angegebenen Gesamtvibrationswerte wurden entsprechend einem standardisierten Testverfahren gemessen und können dazu verwendet werden, Werkzeuge miteinander zu vergleichen.

Außerdem können sie zur vorbereitenden Expositionseinschätzung verwendet werden.

WARNUNG

- Der Vibrationsemissionswert während der tatsächlichen Benutzung des Elektrowerkzeugs kann von dem deklarierten Gesamtwert abweichen, abhängig davon, wie das Werkzeug verwendet wird.
- Legen Sie Sicherheitsmaßnahmen zum Schutz des Bedieners fest, die auf einer Expositionseinschätzung unter den tatsächlichen Benutzungsbedingungen beruhen (unter Berücksichtigung aller Bereiche des Betriebszyklus, darunter neben der Triggerzeit auch die Zeiten, in denen das Werkzeug ausgeschaltet ist oder im Leerlaufbetrieb läuft).

● Informationen zum Stromversorgungssystem mit einer Nennspannung von 230 V oder mehr (Nur für CM9SR)

Unter ungünstigen Netzbedingungen kann dieses Elektrowerkzeug *vorübergehenden Spannungsabfall* oder *störende Spannungsschwankungen* verursachen.

Dieses Elektrowerkzeug ist vorgesehen für den Anschluss an ein Stromversorgungssystem mit einer maximal zulässigen Systemimpedanz Z_{MAX} von 0,28 Ohm an der Schnittstelle (Anschlusskasten) des Benutzers.

Der Benutzer muss sicherstellen, dass dieses Elektrowerkzeug nur an ein Stromversorgungssystem angeschlossen wird, das die obige Anforderung erfüllt. Wenn erforderlich, kann sich der Benutzer für die Systemimpedanz an der Schnittstelle an die öffentliche Stromversorgungsgesellschaft wenden.

AVERTISSEMENTS DE SÉCURITÉ GÉNÉRAUX POUR L'OUTIL

⚠ AVERTISSEMENT

Lire tous les avertissements de sécurité et toutes les instructions.

Ne pas suivre les avertissements et instructions peut donner lieu à un choc électrique, un incendie et/ou une blessure sérieuse.

Conserver tous les avertissements et toutes les instructions pour pouvoir s'y reporter ultérieurement.

Le terme "outil" dans les avertissements fait référence à votre outil électrique alimenté par le secteur (avec cordon d'alimentation) ou votre outil fonctionnant sur batterie (sans cordon d'alimentation).

1) Sécurité de la zone de travail

- Conserv**er la zone de travail propre et bien éclairée.
Les zones en désordre ou sombres sont propices aux accidents.
- Ne pas faire fonctionner** les outils électriques en atmosphère explosive, par exemple en présence de liquides inflammables, de gaz ou de poussières.
Les outils électriques produisent des étincelles qui peuvent enflammer les poussières ou les fumées.
- Maintenir les enfants et les personnes présentes à l'écart** pendant l'utilisation de l'outil.
Les distractions peuvent vous faire perdre le contrôle de l'outil.

2) Sécurité électrique

- Il faut que les fiches de l'outil électrique soient adaptées au socle.**
Ne jamais modifier la fiche de quelque façon que ce soit.
Ne pas utiliser d'adaptateurs avec des outils à branchement de terre.
Des fiches non modifiées et des socles adaptés réduiront le risque de choc électrique.
- Éviter tout contact du corps avec des surfaces reliées à la terre** telles que les tuyaux, les radiateurs, les cuisinières et les réfrigérateurs.
L'existence un risque accru de choc électrique si votre corps est relié à la terre.
- Ne pas exposer les outils à la pluie ou à des conditions humides.**
La pénétration d'eau à l'intérieur d'un outil augmentera le risque de choc électrique.
- Ne pas maltraiter le cordon.** Ne jamais utiliser le cordon pour porter, tirer ou débrancher l'outil. Maintenir le cordon à l'écart de la chaleur, du lubrifiant, des arêtes ou des parties en mouvement.
Des cordons endommagés ou emmêlés augmentent le risque de choc électrique.
- Lorsqu'on utilise un outil à l'extérieur, utiliser un prolongateur adapté à l'utilisation extérieure.**
L'utilisation d'un cordon adapté à l'utilisation extérieure réduit le risque de choc électrique.
- Si l'usage d'un outil dans un emplacement humide est inévitable, utiliser une alimentation protégée par un dispositif à courant différentiel résiduel (RCD).**
L'usage d'un RCD réduit le risque de choc électrique.

3) Sécurité des personnes

- Rester vigilant, regarder ce que vous êtes en train de faire et faire preuve de bon sens dans votre utilisation de l'outil.** Ne pas utiliser un outil lorsque vous êtes fatigué ou sous l'emprise de drogues, d'alcool ou de médicaments.
Un moment d'inattention en cours d'utilisation d'un outil peut entraîner des blessures graves des personnes.
- Utiliser un équipement de sécurité. Toujours porter une protection pour les yeux.**
Les équipements de sécurité tels que les masques contre les poussières, les chaussures de sécurité antidérapantes, les casques ou les protections acoustiques utilisés pour les conditions appropriées réduiront les blessures de personnes.
- Éviter tout démarrage intempestif. S'assurer que l'interrupteur est en position arrêt avant de brancher l'outil au secteur et/ou au bloc de batteries, de le ramasser ou de le porter.**
Porter les outils en ayant le doigt sur l'interrupteur ou brancher des outils dont l'interrupteur est en position marche est source d'accidents.
- Retirer toute clé de réglage avant de mettre l'outil en marche.**
Une clé laissée fixée sur une partie tournante de l'outil peut donner lieu à des blessures de personnes.
- Ne pas se précipiter. Garder une position et un équilibre adaptés à tout moment.**
Cela permet un meilleur contrôle de l'outil dans des situations inattendues.
- S'habiller de manière adaptée. Ne pas porter de vêtements amples ou de bijoux.** Garder les cheveux, les vêtements et les gants à distance des parties en mouvement.
Des vêtements amples, des bijoux ou les cheveux longs peuvent être pris dans des parties en mouvement.
- Si des dispositifs sont fournis pour le raccordement d'équipements pour l'extraction et la récupération des poussières, s'assurer qu'ils sont connectés et correctement utilisés.**
Utiliser des collecteurs de poussière peut réduire les risques dus aux poussières.

4) Utilisation et entretien de l'outil

- Ne pas forcer l'outil.** Utiliser l'outil adapté à votre application.
L'outil adapté réalisera mieux le travail et de manière plus sûre au régime pour lequel il a été construit.
- Ne pas utiliser l'outil si l'interrupteur ne permet pas de passer de l'état de marche à arrêt et vice versa.**
Tout outil qui ne peut pas être commandé par l'interrupteur est dangereux et il faut le réparer.
- Débrancher la fiche de la source d'alimentation en courant et/ou le bloc de batteries de l'outil avant tout réglage, changement d'accessoires ou avant de ranger l'outil.**
De telles mesures de sécurité préventives réduisent le risque de démarrage accidentel de l'outil.
- Conserver les outils à l'arrêt hors de la portée des enfants et ne pas permettre à des personnes ne connaissant pas l'outil ou les présentes instructions de le faire fonctionner.**

Les outils sont dangereux entre les mains d'utilisateurs novices.

- e) **Observer la maintenance de l'outil. Vérifier qu'il n'y a pas de mauvais alignement ou de blocage des parties mobiles, des pièces cassées ou toute autre condition pouvant affecter le fonctionnement de l'outil.**

En cas de dommages, faire réparer l'outil avant de l'utiliser.

De nombreux accidents sont dus à des outils mal entretenus.

- f) **Garder affûtés et propres les outils permettant de couper.**

Des outils destinés à couper correctement entretenus avec des pièces coupantes tranchantes sont moins susceptibles de bloquer et sont plus faciles à contrôler.

- g) **Utiliser l'outil, les accessoires et les lames etc., conformément à ces instructions, en tenant compte des conditions de travail et du travail à réaliser.**

L'utilisation de l'outil pour des opérations différentes de celles prévues pourrait donner lieu à des situations dangereuses.

5) Maintenance et entretien

- a) **Faire entretenir l'outil par un réparateur qualifié utilisant uniquement des pièces de rechange identiques.**

Cela assurera le maintien de la sécurité de l'outil.

PRECAUTIONS

Maintenir les enfants et les personnes infirmes éloignés.

Lorsque les outils ne sont pas utilisés, ils doivent être rangés hors de portée des enfants et des personnes infirmes.

AVERTISSEMENTS DE SÉCURITÉ POUR LES TRONÇONNEUSES À DISQUES

- a) **Le carter fourni avec l'outil doit être solidement fixé sur l'outil électrique et positionné pour assurer une sécurité maximale, la partie de la meule exposée à l'opérateur étant la plus faible possible. Se placer soi-même et faire placer les personnes présentes hors du plan de la meule rotative.**

Le carter aide à protéger l'opérateur des fragments cassés de meule et d'un contact accidentel avec la meule.

- b) **Utiliser uniquement des meules pour tronçonnage diamantées avec votre outil électrique.**

Le fait qu'un accessoire puisse être fixé sur votre outil électrique ne suffit pas à assurer un fonctionnement en toute sécurité.

- c) **La vitesse assignée de l'accessoire doit être au moins égale à la vitesse maximale marquée sur l'outil électrique.**

Des accessoires fonctionnant à une vitesse supérieure à la vitesse assignée peuvent se casser et se détacher de l'outil.

- d) **Les meules ne doivent être utilisées que pour les applications recommandées. Par exemple: ne pas meuler avec la tranche de la meule.**

Les meules de tronçonnage abrasives sont prévues pour un meulage périphérique, les forces transversales appliquées à ces meules peuvent les briser.

- e) **Toujours utiliser des flasques de meules en bon état d'un diamètre adapté à la meule choisie.**

Les flasques adaptés supportent les meules et réduisent ainsi le risque de rupture de celles-ci.

- f) **Le diamètre extérieur et l'épaisseur de l'accessoire doivent se situer dans les limites des caractéristiques assignées de l'outil électrique utilisé.**

Les accessoires n'ayant pas les dimensions correctes ne peuvent pas être protégés ni contrôlés de manière adaptée.

- g) **L'alésage des meules et des flasques doit être adapté à l'axe de l'outil électrique.**

Les meules et les flasques dont les trous d'alésage ne sont pas adaptés au matériel de montage de l'outil vont se déséquilibrer, vibrer de manière excessive et peuvent être à l'origine d'une perte de contrôle.

- h) **Ne pas utiliser de meules endommagées. Avant chaque utilisation, vérifier l'absence de fragments et de fissures sur les meules. En cas de chute de l'outil ou de la meule, vérifier l'absence de dommages ou installer une meule en bon état. Après examen et installation de la meule, se placer soi-même et faire placer les personnes présentes hors du plan de la meule rotative et faire fonctionner l'outil pendant une minute à vide à la vitesse maximale.**

Les meules endommagées vont normalement se casser au cours de cette période d'essai.

- i) **Porter un équipement de sécurité individuelle. En fonction de l'application, utiliser un écran facial, des lunettes de sécurité ou des lunettes de protection. Lorsque que cela est approprié, porter un masque anti-poussière, une protection auditive, des gants et un tablier capable d'arrêter les petits fragments abrasifs ou les fragments provenant de l'ouvrage.**

Les lunettes de sécurité doivent pouvoir arrêter les débris expulsés au cours des différentes opérations. Le masque anti-poussière ou le respirateur doit pouvoir filtrer les particules générées par votre activité. Une exposition prolongée à des bruits de forte intensité peut être à l'origine d'une perte d'acuité auditive.

- j) **Maintenir les personnes présentes à une distance de la zone de travail garantissant leur sécurité. Toute personne entrant dans la zone de travail doit porter un équipement de protection individuelle.**

Des fragments provenant de l'ouvrage ou d'une meule endommagée peuvent être expulsés et causer des blessures au-delà de la zone immédiate d'utilisation de l'outil.

- k) **Tenir l'outil électrique uniquement par les surfaces de prise isolées pendant toute opération ou l'accessoire de coupe pourrait venir en contact avec des conducteurs dissimulés ou avec son propre cordon.**

Le contact d'un accessoire de coupe avec un conducteur "sous tension" peut mettre les parties métalliques accessibles de l'outil "sous tension" et pourrait infliger un choc électrique à l'opérateur.

- l) **Positionner le cordon à l'écart de l'accessoire rotatif.**

En cas de perte de contrôle, le cordon peut être coupé ou accroché, entraînant votre main ou votre bras dans l'accessoire rotatif.

- m) **Ne jamais reposer l'outil électrique avant l'arrêt complet de l'accessoire.**

En tournant, la meule peut agripper la surface et rendre l'outil incontrôlable.

- n) **Ne pas faire fonctionner l'outil en le transportant.**

Un contact accidentel avec l'accessoire rotatif pourrait accrocher vos vêtements et entraîner l'accessoire sur votre corps.

- o) **Nettoyer régulièrement les fentes d'aération de l'outil électrique.**
Le ventilateur du moteur attirera les poussières à l'intérieur du boîtier et une accumulation excessive de métal fritté peut provoquer des dangers électriques.
- p) **Ne pas faire fonctionner l'outil électrique à proximité de matériaux inflammables.**
Les étincelles pourraient enflammer ces matériaux.
- q) **Ne pas utiliser d'accessoires nécessitant des réfrigérants fluides.**
L'utilisation d'eau ou d'autres réfrigérants fluides peut entraîner une électrocution ou un choc électrique.
- g) **Lorsque la meule se coince ou si on interrompt la coupe pour une raison quelconque, couper l'alimentation de l'outil et tenir l'outil sans bouger jusqu'à l'arrêt complet de la meule. Ne jamais essayer de sortir la meule de la coupe tant que celle-ci est en mouvement, sinon il peut se produire un phénomène de rebond.**
Examiner la situation et corriger de manière à éliminer la cause du blocage de la meule.
- h) **Ne pas redémarrer le découpage dans l'ouvrage. Laisser la meule atteindre sa pleine vitesse et la replacer avec précaution dans la coupe.**
La meule peut se coincer, se rapprocher ou provoquer un rebond si l'outil est redémarré lorsqu'elle se trouve dans l'ouvrage.

Rebond et avertissements

Le rebond est une réaction soudaine d'une meule en rotation lorsque celle-ci est pincée ou accrochée. Le pincement ou l'accrochage provoque un décrochage rapide de la meule en rotation qui force l'outil électrique qui n'est plus contrôlé dans la direction opposée à celle du sens de rotation de la meule au point du pincement. Par exemple, si une meule abrasive est accrochée ou pincée par l'ouvrage, le bord de la meule qui entre dans le point de pincement peut entrer dans la surface du matériau et amener la meule à sortir de la pièce ou à rebondir. La meule peut s'éjecter en direction de l'opérateur ou au loin en fonction du sens de rotation de la meule au point de pincement. Dans de telles conditions, les meules abrasives peuvent aussi se casser.

Le phénomène de rebond est le résultat d'une utilisation inadéquate de l'outil et/ou de procédures ou de conditions de fonctionnement incorrectes et il peut être évité en prenant les précautions appropriées indiquées ci-dessous.

- a) **Maintenir solidement l'outil et positionner le corps et le bras de manière à pouvoir résister aux forces de rebond. Toujours utiliser la poignée latérale, le cas échéant, pour contrôler au maximum les rebonds ou les réactions de couple au moment du démarrage.**
L'opérateur est en mesure de contrôler les réactions de couple ou les forces de rebond, si des précautions appropriées ont été prises.
- b) **Ne jamais placer la main à proximité de l'accessoire en rotation.**
L'accessoire peut être projeté en arrière sur la main.
- c) **Ne pas positionner le corps dans l'alignement de la meule en rotation.**
Un rebond propulsera l'outil dans la direction opposée à celle du mouvement de la meule au point où s'est produit l'accrochage.
- d) **Etre particulièrement prudent lors d'opérations sur des coins, des arêtes vives etc. Eviter que l'accessoire ne rebondisse et ne s'accroche.**
Les coins, les arêtes vives ou les rebondissements ont tendance à accrocher l'accessoire en rotation et à provoquer une perte de contrôle ou un rebond.
- e) **Ne pas monter de chaîne coupante, de lame à ciseler, de meule diamantée segmentée avec un espace périphérique supérieur à 10 mm ou de lame de scie dentée.**
De telles lames sont souvent à l'origine de rebonds ou de pertes de contrôle.
- f) **Ne pas "bloquer" la meule ou lui appliquer une pression excessive. Ne pas tenter de réaliser une découpe trop profonde.**
Une surcharge de la meule augmente la charge et la susceptibilité de torsion ou de blocage de la meule à l'intérieur de la coupe et la possibilité de rebond ou de cassure de la meule.

- i) **Utiliser des panneaux ou tout ouvrage surdimensionné pour réduire le risque de pincement et de rebond de la meule.**
Les ouvrages de grande dimension ont tendance à fléchir sous l'effet de leur propre poids. Des supports doivent être placés sous l'ouvrage près de la ligne de coupe et du bord de l'ouvrage des deux côtés de la meule.
- j) **Faire très attention lors de la réalisation d'"ouvertures" dans des cloisons existantes ou dans d'autres zones dont la partie arrière n'est pas visible.**
La meule peut couper des conduites de gaz ou d'eau, des fils électriques ou des objets et entraîner un rebond.

PRECAUTIONS POUR L'UTILISATION DE LA SCIE A BETON

1. Ne jamais fixer aucun outil à l'exception du disque rhomboïdal spécifié par le fabricant.
Ne pas faire fonctionner la machine tout en versant de l'eau sur l'outil.
2. Avant de mettre en marche la machine, ne jamais omettre de procéder à une vérification du disque rhomboïdal. Si ce dernier est fissuré, cassé ou tordu, ne jamais l'utiliser. Effectuer une mise en marche précautionneuse de la machine afin de vous assurer qu'elle n'est pas sujette à quelque anomalie.
3. Si l'on utilise le disque rhomboïdal afin de découper du métal, cela réduira sa durée de service ou provoquera sa cassure. Il ne faut donc jamais l'utiliser pour découper du métal.
4. Ne commencer à opérer que lorsque la vitesse de rotation maximum est atteinte.
5. Une force d'appui excessive fait travailler le moteur en surcharge et réduit l'efficacité de travail ainsi que la durée de service de la machine. Toujours couper du béton, du carrelage ou de la pierre avec une profondeur de coupe de 50mm ou moins. Si la profondeur de coupe est supérieure à 50mm, effectuer la coupe à 2 ou 3 reprises successives. Si le matériau est taillé avec une profondeur de coupe supérieure à 50mm, la durée de service du disque rhomboïdal s'en trouve réduite et le moteur peut se gripper.
6. Ne pas utiliser cette machine pour couper de l'asbeste.
7. Pour les opérations faisant intervenir une meule à aiguiser, pour le cas où il se produirait une flamme, recouvrir l'adaptateur de ramassage de poussière avec un cache en caoutchouc et porter impérativement des lunettes de protection.

SPECIFICATIONS

Modèle	CM9SR	CM9UBY
Tension (par zone)*1	(110 V, 230 V) ~	
Puissance*1	2000 W	2600 W
Vitesse sans charge	6600 min ⁻¹	
Dimension du disque rhomboïdal	Dia. extérieur 230 mm Épaisseur 2,5 mm Diam. du trou 22,23 mm	
Profondeur de coupe max.	60 mm	
Poids (sans cordon ni disque rhomboïdal)	7,7 kg	8,1 kg
Limitation du courant de démarrage*2	Non	Oui

*1 Assurez-vous de vérifier la plaque signalétique sur le produit qui peut changer suivant les régions.

*2 Grâce à la limitation du courant de démarrage, la tension d'amorçage est réduite à tel point qu'un fusible (16 A à action retardée) ne répond pas.

ACCESSOIRES STANDARD

- (1) Clé 1
 (2) Adaptateur 1
 Les accessoires standard sont sujets à changement sans préavis.

APPLICATIONS

- Découpage ou action de tracer au trusquin dans du béton
- Découpage ou action de tracer au trusquin dans du carrelage
- Découpage ou action de tracer au trusquin dans de la pierre
- Découpage ou action de tracer au trusquin dans de la tuile

AVANT LA MISE EN MARCHÉ

1. Source de puissance

S'assurer que la source de puissance à utiliser correspond à la puissance indiquée sur la plaque signalétique du produit.

2. Interrupteur de puissance

S'assurer que l'interrupteur de puissance est en position ARRÊT. Si la fiche est branchée alors que l'interrupteur est sur MARCHÉ, l'outil démarre immédiatement et peut provoquer un grave accident.

3. Fil de rallonge

Lorsque la zone de travail est éloignée de la source de puissance, utiliser un fil de rallonge d'une épaisseur suffisante et d'une capacité nominale suffisante. Le fil de rallonge doit être aussi court que possible.

4. Vérification et installation du disque rhomboïdal

Vérifier que le disque rhomboïdal est du type spécifié et qu'il n'est pas fissuré, cassé ou tordu. Vérifier que le disque rhomboïdal est fermement installé. Pour son installation, se reporter au paragraphe "Montage/démontage du disque rhomboïdal".

5. Fixation et réglage du capot du collecteur de poussière. (Fig. 1, Fig. 2)

Le capot du collecteur de poussière est un dispositif de protection pour éviter les blessures au cas où le disque rhomboïdal se briserait lors du fonctionnement. Vérifier que le capot est correctement installé et fixé avant de commencer la découpe.

[Installation et réglage du capot du collecteur de poussière]

- Ouvrir le levier et insérer la tige de positionnement du capot du collecteur de poussière, en l'alignant sur les aplats en couronne de la base de garniture.
 - Ensuite, tourner le carter de protection sur la position voulue (pour l'utilisation).
 - Refermer le levier et le fixer. Si et quand cela est nécessaire, effectuer les réglages en serrant ou desserrant la vis.
 - Si le levier ne bouge pas facilement, appliquer un peu d'huile de graissage sur la section coulissante entre la pièce fixée et le levier.
 - Fixer le capot du collecteur de poussière à l'endroit où l'aplat du capot du collecteur de poussière s'aligne sur l'aplat de la masse de garniture (à l'endroit où le capot du collecteur de poussière est inséré), mais ne pas l'utiliser.
- 6. Vérifier le mécanisme de blocage de l'arbre**
 Vérifier que le bouton-poussoir de blocage de l'arbre est dégagé en poussant deux ou trois fois dessus avant de mettre l'outil en marche. (Voir Fig. 1)
- 7. Réglage de la profondeur de coupe (Fig. 3)**
 Pour desserrer, abaisser l'écrou à oreilles. Le lever pour serrer.
 Pour régler la profondeur de coupe, desserrez l'écrou à oreilles et déplacer la base.

PRECAUTION

Le fait de laisser du jeu à l'écrou à oreilles entraîne des risques de blessure. Serrez à fond l'écrou à oreilles après avoir réglé la profondeur de coupe.

INSTALLATION DU TUYAU SOUPLE COLLECTEUR DE POUSSIÈRE

Lors de l'usinage d'un matériau qui produit des résidus de découpe, utiliser le tuyau souple collecteur de poussière comme suit:

- (1) Déposer le cache en caoutchouc et installer l'adaptateur d'accessoire. (Fig. 4)
- (2) Fixer le flexible souple du collecteur de poussière correspondant à l'outil dans l'adaptateur d'accessoire. (Fig. 4)

ATTENTION

Toujours mettre un cache en caoutchouc sur l'adaptateur de ramassage de poussière lorsqu'on ne se sert pas du tuyau souple du collecteur de poussière.

MONTAGE/DEMONTAGE DU DISQUE RHOMBOÏDAL

1. Montage

- (1) Desserrer le bouton et ôter le capot (B).
- (2) Retirer la poussière de découpage de l'arbre et de la rondelle.
- (3) Vérifier que le sens de rotation du disque diamant correspond à la direction indiquée sur le carter d'engrenage et installez le disque diamant comme indiqué sur la Fig. 1.
- (4) Appuyer sur la tige de verrouillage et fixer l'arbre. Serrer le boulon de la meuleuse à fond avec la clé accessoire. (Fig. 1)

NOTE

Afin de fixer le boulon de la meuleuse, ne jamais omettre d'utiliser la clé fournie.

2. Démontage

Déposer l'écrou du disque à l'aide de la clé fournie puis déposer le disque rhomboïdal. (Fig. 1)

DECOUPAGE

1. Procédure de coupe (Fig. 5)

- (1) Placer l'outil sur le matériau à couper et amener la meule diamantée sur la ligne de découpe. La coupe s'effectue en toute facilité si l'on coupe tout droit en suivant la ligne dès le début du travail.
- (2) Mettre l'appareil principal sous tension lorsque la meule diamantée ne touche pas le matériau à couper.

2. Fonctionnement de l'interrupteur

Mise en marche :

Pousseur sur la touche de verrouillage vers l'avant, puis sur le levier.

* Pour un usage ininterrompu, appuyer sur le levier.

Celui-ci est verrouillé lorsque la touche de verrouillage est poussée de nouveau vers l'avant.

(* Peut être différent selon les pays de commercialisation.)

Mise hors service :

Appuyer et relâcher le levier.

3. Précautions à prendre aussitôt le meulage terminé

Après avoir arrêté la machine, ne pas la poser avant l'arrêt complet de la meule. Cette précaution évitera non seulement tout accident grave, mais réduira aussi la quantité de poussière et de copeaux de métal aspirée par la machine.

ATTENTION

- Ne jamais omettre de vérifier le disque rhomboïdal avant de commencer à opérer. Ne jamais utiliser un disque rhomboïdal fissuré, cassé ou tordu.
- Ne jamais mettre de l'eau ou de l'huile de coupe sur le disque rhomboïdal.
- Ne commencer le découpage que lorsque le disque rhomboïdal a atteint sa vitesse de rotation maximum.
- Mettre immédiatement la machine hors tension si le disque rhomboïdal se grippe ou si vous remarquez un bruit anormal.
- Ne jamais utiliser le disque rhomboïdal pour effectuer un découpage en zig-zag, ou en ligne courbe, et ne jamais utiliser la face latérale du disque rhomboïdal et, enfin ne jamais l'utiliser pour des découpages inclinés.

- Si l'on exerce une force excessive sur la meule diamantée pour la faire suivre la ligne de découpe, cela risque non seulement de provoquer des brûlures, mais également de surchauffer la meule diamantée et de réduire sa durée de service.
- Fixez la pièce d'ouvrage. Une pièce d'ouvrage fixée avec des dispositifs de fixation ou dans un étai est mieux maintenue qu'avec la main.
- Pendant le fonctionnement de la machine, prendre bien soin d'empêcher tout contact entre le cordon d'alimentation et le disque rhomboïdal.
- Lorsque le travail est terminé, mettre la machine hors tension puis débrancher le cordon d'alimentation.

ENTRETIEN ET CONTROLE

1. Contrôle du disque rhomboïdal

Un disque rhomboïdal usé fait fonctionner le moteur en surcharge et réduit l'efficacité du travail. Il faut donc le remplacer.

2. Encrassement de la meule diamantée

Le taux d'usure de la lame coupante diamantée dépend du type de matériau découpé, de la vitesse de découpage, etc. De manière générale, les matériaux qui produisent des particules granuleuses au découpage peuvent gratter l'agent adhésif et de là, accélérer l'usure de la couche diamantée. D'autre part, les matériaux qui produisent des particules poudreuses au découpage peuvent être la cause de l'encrassement de la couche diamantée, ce qui réduit fortement l'efficacité de coupe.

Lorsque le phénomène d'encrassement apparaît, une force supplémentaire est appliquée pour tenter d'accélérer la vitesse de coupe, ce qui parfois, fait apparaître des étincelles sur le pourtour de la meule diamantée. Dans un tel cas arrêter la machine et vérifier soigneusement la lame de coupe en la frottant avec les doigts. Si la meule semble lisse au toucher (pas de sensation abrasive), c'est qu'elle est encrassée et qu'il est alors nécessaire de la lisser.

Pour un lissage complet, il est nécessaire d'effectuer environ 5 mètres de découpe légèrement accélérée à une profondeur de coupe de 10 mm dans des matériaux relativement mous, matériaux qui produisent des particules granuleuses au découpage (comme des blocs en ciment ou des briques). Cette opération a pour but de restaurer l'efficacité de coupe de la meule diamantée et prolonge sa durée de vie. Le matériau diamanté est sensible aux hautes températures et il commencera à se détériorer aux environs de 600°C. Des températures supérieures causeront la décomposition du matériau diamanté. C'est pourquoi, il est de la plus haute importance de procéder à un "lissage" dès que le phénomène d'encrassement apparaît ou la que des étincelles jaillissent.

3. Contrôle des vis de montage

Vérifier régulièrement les vis de montage et s'assurer qu'elles sont correctement serrées. Resserrer immédiatement toute vis desserrée. Sinon, il a danger sérieux.

4. Entretien du moteur

Le bobinage de l'ensemble moteur est le "cœur" même de l'outil électro-portatif. Veiller soigneusement à ce que ce bobinage ne soit pas endommagé et/ou mouillé par de l'huile ou de l'eau.

5. Contrôle des balais en carbone (Fig. 6)

Le moteur utilise des balais en carbone qui sont des pièces qui s'usent.

Quand ils sont usés ou près de la "limite d'usure", il pourra en résulter un mauvais fonctionnement du moteur. Quand le moteur est équipé d'un balai en carbone à arrêt automatique, il s'arrêtera automatiquement. Remplacez alors les balais en carbone par des nouveaux et ayant les mêmes numéros que ceux montré sur la figure. En outre, toujours tenir les balais propres et veiller à ce qu'ils coulissent librement dans les supports.

6. Remplacement d'un balai en carbone CM9UBY (Fig. 7)

<Démontage>

- (1) Desserrer la vis autotaraudeuse D4 qui fixe le couvercle de charbon et retirer le couvercle de charbon.
- (2) Utiliser la clé auxiliaire à six pans ou un petit tournevis pour soulever le bord du ressort qui retient le balai en carbone. Retirer le bord du ressort vers l'extérieur du support du balai.
- (3) Enlever le bord du flexible du balai en carbone de la section du support de balai et retirer le balai en carbone de son support.

<Montage>

- (1) Insérer l'extrémité du flexible du balai en carbone dans la section finale du support du balai.
- (2) Insérer le balai en carbone dans son support.
- (3) Utiliser la clé auxiliaire à six pans ou un petit tournevis pour remettre le bord du ressort contre la tête du balai en carbone.
- (4) Monter le capot de charbon et serrer la vis taraudeuse D4.

CM9SR

Démonter le capuchon du balai avec un tournevis à petite tête. Le balai en carbone peut se retirer facilement.

7. Liste des pièces de rechange

ATTENTION:

Les réparations, modifications et inspections des outils électriques HiKOKI doivent être confiées à un service après-vente HiKOKI agréé.

Il sera utile de présenter cette liste de pièces au service après-vente HiKOKI agréé lorsqu'on apporte un outil nécessitant des réparations ou tout autre entretien.

Lors de l'utilisation et de l'entretien d'un outil électrique, respecter les règlements et les normes de sécurité en vigueur dans le pays en question.

MODIFICATIONS:

Les outils électriques HiKOKI sont constamment améliorés et modifiés afin d'incorporer les tous derniers progrès technologiques.

En conséquence, il est possible que certaines pièces soient modifiées sans avis préalable.

GARANTIE

Nous garantissons que l'ensemble des Outils électriques HiKOKI sont conformes aux réglementations spécifiques statutaires/nationales. Cette garantie ne couvre pas les défauts ni les dommages inhérents à une mauvaise utilisation, une utilisation abusive ou l'usure et les dommages normaux. En cas de réclamation, veuillez envoyer l'Outil électrique, en l'état, accompagné du CERTIFICAT DE GARANTIE qui se trouve à la fin du Mode d'emploi, dans un service d'entretien autorisé.

NOTE

Par suite du programme permanent de recherche et de développement HiKOKI, ces spécifications peuvent faire l'objet de modifications sans avis préalable.

Au sujet du bruit et des vibrations

Les valeurs mesurées ont été déterminées en fonction de la norme EN60745 et déclarées conforme à ISO 4871.

Niveau de puissance sonore pondérée A: 111 dB (A)

Niveau de pression acoustique pondérée A: 100 dB (A)

Incertitude KpA: 3 dB (A)

Porter des protections anti-bruit.

Valeurs totales des vibration (somme vectorielle triaxiale) déterminée conformément à EN60745.

CM9SR

Valeur d'émission de vibration $a_h = 5,0 \text{ m/s}^2$

Incertitude $K = 1,5 \text{ m/s}^2$

CM9UBY

Valeur d'émission de vibration $a_h = 2,9 \text{ m/s}^2$

Incertitude $K = 1,5 \text{ m/s}^2$

La valeur totale des vibrations a été mesurée par une méthode d'essai standard et peut être utilisée pour comparer un outil à un autre.

Elle peut également être utilisée pour une évaluation préliminaire du niveau d'exposition.

AVERTISSEMENT

- La valeur d'émission de vibration en fonctionnement de l'outil électrique peut être différente de la valeur totale déclarée, en fonction des utilisations de l'outil.
- Identification les mesures de protection de l'utilisateur fondées sur une estimation de l'exposition en conditions d'utilisation (tenant compte de tous les aspects du cycle d'utilisation, tels que les moments où l'outil est mis hors tension ou lorsqu'il tourne à vide en plus des temps de déclenchements).

● Information relative au système d'alimentation à tension nominale de 230 V~ (Pour CM9SR)

Dans des conditions défavorables du secteur, cet outil électrique peut provoquer *des chutes de tension transitoires ou des fluctuations de tension parasites*.

Cet outil électrique est conçu pour être raccordé à un système d'alimentation avec impédance système maximale admissible Z_{MAX} de 0,28 ohm au point d'interface (coefficient de branchement d'alimentation) de l'alimentation de l'utilisateur.

L'utilisateur doit s'assurer que cet outil électrique est raccordé uniquement à un système d'alimentation qui remplit l'exigence ci-dessus.

Si nécessaire, l'utilisateur peut demander à la compagnie d'électricité publique quelle est l'impédance système au point d'interface.

AVVERTIMENTI GENERALI DI SICUREZZA SUGLI UTENSILI ELETTRICI

⚠ AVVERTENZA

Leggere tutti gli avvertimenti di sicurezza e tutte le istruzioni.

La mancata osservanza degli avvertimenti e delle istruzioni potrebbe essere causa di scosse elettriche, incendi e/o gravi lesioni.

Salvare tutti gli avvertimenti e le istruzioni per riferimenti futuri.

Il termine "elettroutensili" riportato nelle avvertenze si riferisce agli elettroutensili azionati con alimentazione di rete (via cavi) o a batterie (senza cavi).

1) Sicurezza dell'area operativa

a) Mantenere l'area operativa pulita e ordinata.

Aree operative sporche o disordinate possono favorire gli infortuni.

b) Non utilizzare gli elettroutensili in atmosfere esplosive, ad es. in presenza di liquidi, gas o polveri infiammabili.

Gli elettroutensili generano delle scintille che potrebbero accendere la polvere o i fumi.

c) Tenere lontani bambini e astanti durante l'utilizzo degli elettroutensili.

Qualsiasi distrazione può essere causa di perdita di controllo.

2) Sicurezza elettrica

a) Le spine degli elettroutensili devono essere idonee alle prese disponibili.

Non modificare mai le prese.

Con gli elettroutensili a massa (messi a terra), non utilizzare alcun adattatore.

L'utilizzo di spine intatte e corrispondenti alle prese disponibili ridurrà il rischio di scosse elettriche.

b) Evitare qualsiasi contatto con le superfici a massa o a terra, quali tubi, radiatori, fornelli e frigoriferi.

In caso di messa a terra o massa del corpo, sussiste un maggior rischio di scosse elettriche.

c) Non esporre gli elettroutensili alla pioggia o all'umidità.

La penetrazione di acqua negli elettroutensili aumenterà il rischio di scosse elettriche.

d) Non tirare il cavo. Non utilizzarlo per il trasporto, o per tirare o scollegare l'elettroutensile.

Tenere il cavo lontano da fonti di calore, oli, bordi appuntiti o parti in movimento.

Cavi danneggiati o attorcigliati possono aumentare il rischio di scosse elettriche.

e) Durante l'uso degli elettroutensili all'esterno, utilizzare una prolunga idonea per usi esterni.

L'utilizzo di cavi per esterno riduce il rischio di scosse elettriche.

f) Se è impossibile evitare l'impiego di un utensile elettrico in un luogo umido, utilizzare l'alimentazione protetta da un dispositivo a corrente residua (RCD).

L'uso di un RCD riduce il rischio di scosse elettriche.

3) Sicurezza personale

a) Durante l'uso degli elettroutensili, state all'erta, verificate ciò che state eseguendo e adottate sempre il buon senso.

Non utilizzate gli elettroutensili qualora siate stanchi, sotto l'influenza di farmaci, alcol o cure mediche.

Anche un attimo di disattenzione durante l'uso degli elettroutensili potrebbe essere causa di gravi lesioni personali.

b) Indossate l'attrezzatura di protezione personale. Indossate sempre le protezioni oculari.

L'attrezzatura protettiva, quali maschera facciale, calzature antiscivolo, caschi o protezioni oculari ridurrà il rischio di lesioni personali.

c) Impedite le accensioni involontarie. Prima del collegamento a una sorgente di alimentazione e/o pacco batteria e prima di raccogliere o trasportare l'utensile, verificate che l'interruttore sia posizionato su OFF.

Il trasporto degli elettroutensili tenendo le dita sull'interruttore o l'attivazione elettrica degli utensili che hanno l'interruttore su ON, implica il rischio di incidenti.

d) Prima di attivare l'elettroutensile, rimuovete qualsiasi chiave di regolazione.

Lasciando la chiave in un componente in rotazione dell'elettroutensile, sussiste il rischio di lesioni personali.

e) Mantenersi in equilibrio. Mantenersi sempre su due piedi, in equilibrio stabile.

Ciò consente di controllare al meglio l'elettroutensile in caso di situazioni impreviste.

f) Vestirsi in modo adeguato. Non indossare abiti larghi o gioielli. Tenere i capelli, gli abiti e i guanti lontano dalle parti in movimento.

Abiti allentati, gioielli e capelli lunghi potrebbero impigliarsi nelle parti in movimento.

g) In caso di dispositivi provvisti di collegamento ad apparecchiature di rimozione e raccolta polveri, verificare che queste siano collegate e utilizzate in modo adeguato.

L'utilizzo della raccolta della polvere può ridurre i rischi connessi alle polveri.

4) Utilizzo e manutenzione degli elettroutensili

a) Non utilizzare elettroutensili non idonei. Utilizzare l'elettroutensile idoneo alla propria applicazione.

Utilizzando l'elettroutensile corretto, si garantirà un'esecuzione migliore e più sicura del lavoro, alla velocità di progetto.

b) Non utilizzare l'elettroutensile qualora non sia possibile accenderlo/spegnerlo tramite l'interruttore.

È pericoloso utilizzare elettroutensili che non possano essere azionati dall'interruttore. Provvedere alla relativa riparazione.

c) Prima di effettuare qualsiasi regolazione, sostituire gli accessori o depositare gli elettroutensili, scollegare la spina dalla presa elettrica e/o il pacco batteria dall'utensile elettrico.

Queste misure di sicurezza preventive riducono il rischio di avvio involontario dell'elettroutensile.

d) Depositare gli elettroutensili non utilizzati lontano dalla portata dei bambini ed evitare che persone non esperte di elettroutensili o non a conoscenza di quanto riportato sulle presenti istruzioni azionino l'elettroutensile.

È pericoloso consentire che utenti non esperti utilizzino gli elettroutensili.

- e) **Manutenzione degli elettrotensili.** Verificare che non vi siano componenti in movimento disallineati o bloccati, componenti rotti o altre condizioni che potrebbero influenzare negativamente il funzionamento dell'elettrotensile.
In caso di guasti, provvedere alla riparazione dell'elettrotensile prima di riutilizzarlo.
Molti incidenti sono causati da una scarsa manutenzione.
- f) **Mantenere gli strumenti di taglio affilati e puliti.**
Gli strumenti di taglio in condizioni di manutenzione adeguata, con bordi affilati, sono meno soggetti al bloccaggio e sono più facilmente controllabili.
- g) **Utilizzare l'elettrotensile, gli accessori, le barrette, ecc. in conformità a quanto riportato nelle presenti istruzioni, tenendo in debita considerazione le condizioni operative e il tipo di lavoro da eseguire.**
L'uso dell'utensile elettrico per operazioni diverse da quelle previste potrebbe causare una situazione pericolosa.
- 5) **Assistenza**
- a) **Affidare le riparazioni dell'elettrotensile a persone qualificate che utilizzino solamente parti di ricambio identiche.**
Ciò garantirà il mantenimento della sicurezza dell'elettrotensile.

PRECAUZIONI

Tenere lontano dalla portata di bambini e invalidi.
Quando non utilizzati, gli strumenti dovranno essere deposti lontano dalla portata di bambini e invalidi.

AVVERTIMENTI DI SICUREZZA SULLA TRONCATRICE

- a) **La protezione in dotazione con l'utensile deve essere fissata saldamente all'utensile elettrico e posizionata per la massima sicurezza, in modo che una porzione minima della mola sia esposta verso l'operatore.**
Posizionare se stessi e le altre persone presenti lontano dal piano della mola rotante.
La protezione aiuta a proteggere l'operatore da frammenti della mola rotta e dal contatto accidentale con la mola.
- b) **Usare solamente mole di taglio di diamante per l'utensile elettrico.**
Il fatto che sia possibile fissare un utensile all'utensile elettrico non garantisce la sicurezza di funzionamento.
- c) **La velocità nominale dell'accessorio deve essere almeno pari alla velocità massima contrassegnata sull'utensile elettrico.**
Gli accessori che operano ad una velocità superiore rispetto a quella nominale sono soggetti a rompersi e volare in pezzi.
- d) **Le mole devono essere utilizzate solo per le applicazioni consigliate. Per esempio: non effettuare la smerigliatura con il lato della mola di taglio.**
Le mole di taglio abrasive sono intese per la smerigliatura periferica, le forze laterali applicate a tali mole potrebbero causarne la rottura.
- e) **Usare sempre flange di mole non danneggiate che siano del giusto diametro per la mola impiegata.**
Le flange corrette supportano la mola riducendo la possibilità di eventuali rotture.
- f) **Il diametro esterno e lo spessore dell'accessorio devono rientrare nella capacità nominale dell'utensile elettrico.**

Accessori dalle dimensioni erronee non possono essere adeguatamente protetti o controllati.

- g) **La dimensione dell'albero delle mole e delle flange deve corrispondere correttamente al mandrino dell'utensile elettrico.**

Le mole e le flange con fori dell'albero che non corrispondono all'hardware di montaggio dell'utensile elettrico risulteranno fuori equilibrio, vibreranno in maniera eccessiva e potrebbero causare la perdita del controllo.

- h) **Non usare mole danneggiate. Prima di ogni utilizzo ispezionare le mole per rilevare la presenza di eventuali trucioli e crepe. Se l'utensile elettrico o la mola vengono fatti cadere, controllare la presenza di eventuali danni o installare una mola non danneggiata. Dopo aver ispezionato e installato la mola, posizionare se stessi e le altre persone presenti lontano dal piano della mola rotante e far funzionare l'utensile elettrico alla massima velocità a vuoto per un minuto.**

Le mole danneggiate normalmente finiscono in pezzi durante questa fase di prova.

- i) **Indossare dispositivi di protezione individuale. A seconda dell'applicazione, usare una visiera, una maschera di protezione od occhiali di protezione. Se necessario, indossare una maschera per la polvere, protezioni per l'udito, guanti e un grembiule in grado di fermare piccoli frammenti abrasivi o del pezzo da lavorare.**

La protezione oculare deve essere in grado di fermare i frammenti volanti prodotti dalle varie operazioni. La maschera antipolvere o il respiratore devono essere in grado di filtrare le particelle prodotte durante l'uso dell'utensile. L'esposizione prolungata a rumori ad alta intensità può causare la perdita dell'udito.

- j) **Mantenere le persone presenti a una distanza sicura dall'area di lavoro. Chiunque acceda all'area di lavoro deve indossare dispositivi di protezione individuale.**
Frammenti del pezzo da lavorare o della mola rotta possono volare via e causare lesioni anche al di fuori dell'area di lavoro immediata.

- k) **Quando si eseguono operazioni nelle quali l'accessorio di taglio potrebbe venire a contatto con cablaggi nascosti o con il cavo dell'utensile stesso, reggere l'utensile elettrico afferrandolo solamente sulle superfici di presa isolate.**

Un accessorio di taglio che entri in contatto con un filo "sotto tensione" può rendere "sotto tensione" le parti metalliche esposte dell'utensile elettrico e causare scosse all'operatore.

- l) **Posizionare il cavo lontano dall'accessorio rotante.**
Se si perde il controllo, il cavo potrebbe venire tagliato o impigliarsi, tirando una mano o un braccio dell'operatore nella mola rotante.

- m) **Non appoggiare mai l'utensile elettrico finché l'accessorio non si arresta completamente.**

La mola rotante potrebbe fare presa sulla superficie e tirare l'utensile elettrico facendone perdere il controllo.

- n) **Non mettere in funzione l'utensile elettrico mentre lo si trasporta al proprio fianco.**

Un contatto accidentale con l'accessorio rotante potrebbe fare presa sugli indumenti, tirando l'accessorio contro il corpo dell'operatore.

- o) **Pulire regolarmente le bocchette dell'aria dell'utensile elettrico.**

La ventola del motore attira la polvere all'interno dell'alloggiamento e un accumulo eccessivo di metallo polverizzato potrebbe provocare pericoli elettrici.

- p) **Non utilizzare l'utensile elettrico vicino a materiali infiammabili.**

Le scintille potrebbero infiammare questi materiali.

- q) **Non utilizzare accessori che richiedono refrigeranti liquidi.**

L'uso di acqua o altri refrigeranti liquidi può causare folgorazione o scosse.

Rinculo e avvertimenti correlati

Il rinculo è una reazione improvvisa all'impigliarsi o all'incastarsi della mola rotante. L'impigliarsi o incastrarsi della mola ne causa il rapido arresto, che a sua volta spinge l'utensile elettrico fuori controllo nella direzione opposta a quella della rotazione della mola nel momento in cui si è bloccata.

Per esempio, se la mola abrasiva si impiglia o si incastra sul pezzo da lavorare, il bordo della ruota che entra nel punto di incastro può scavare nella superficie del materiale facendo fuoriuscire o rinculare la mola. La mola può saltare verso l'operatore o in direzione opposta, a seconda del senso di rotazione della mola nel momento in cui si è impigliata. In queste condizioni le mole abrasive si possono anche rompere.

Il rinculo è conseguenza dell'uso improprio dell'utensile e/ o di procedure o condizioni operative non corrette, e può essere evitato con le adeguate precauzioni indicate sotto.

- a) **Mantenere una presa salda sull'utensile elettrico e posizionare il corpo e il braccio in modo da essere in grado di opporre resistenza alle forze di rinculo. Usare sempre la maniglia ausiliaria, se in dotazione, per il massimo controllo sul rinculo o sulla forza di reazione durante l'avvio.**

Prendendo le adeguate precauzioni, l'operatore può controllare le forze di reazione o le forze di rinculo.

- b) **Non posizionare mai la mano vicino all'accessorio rotante.**

L'accessorio potrebbe rinculare sulla mano.

- c) **Non posizionare il corpo in linea con la mola rotante. Il rinculo spinge l'utensile nella direzione opposta a quella della rotazione della mola nel momento in cui si è impigliata.**

- d) **Prestare particolare attenzione durante la lavorazione di angoli, bordi affilati ecc. Evitare di far rimbalzare e impigliare l'accessorio.**

Gli angoli, i bordi affilati e i rimbalzi hanno la tendenza a far impigliare l'accessorio rotante, causandone la perdita di controllo o il rinculo.

- e) **Non fissare sull'utensile seghe a catena, lame adatte alle troncatrici per legno o mole diamantate segmentate con uno spazio libero periferico superiore a 10 mm o lame per seghe dentate.**

Tali lame causano frequentemente il rinculo e la perdita del controllo.

- f) **Non "inceppare" la mola né applicare una pressione eccessiva. Non tentare di eseguire un taglio eccessivamente profondo.**

Una sollecitazione eccessiva della molla aumenta il carico e il rischio di torsione o inceppamento della mola nel taglio, e di conseguente rinculo o rottura della mola.

- g) **Quando la mola si inceppa o interrompe il taglio per qualsiasi ragione, spegnere l'utensile elettrico e tenerlo immobile finché la mola non si arresta completamente. Non tentare mai di rimuovere la mola dal taglio con la mola in movimento, altrimenti potrebbe verificarsi il rinculo.**

Investigare e prendere i necessari provvedimenti correttivi per eliminare la causa dell'inceppamento della mola.

- h) **Non ricominciare l'operazione di taglio nel pezzo da lavorare. Lasciare che la mola raggiunga la massima velocità e reinserirla attentamente nel taglio.**

La mola potrebbe incepparsi, saltare in alto o rinculare se l'utensile elettrico viene riavviato nel pezzo da lavorare.

- i) **Sostenere i pannelli e i pezzi di grandi dimensioni, per minimizzare il rischio di inceppamento e rinculo della mola.**

I pezzi di grandi dimensioni tendono a cedere sotto il loro stesso peso. È necessario posizionare dei supporti sotto il pezzo dal lavorare, vicino alla linea di taglio e alle estremità del pezzo da lavorare su entrambi i lati nella mola.

- j) **Prestare particolare attenzione nell'eseguire "tagli a tasca" su pareti esistenti o altre zone cieche.**

La mola sporgente potrebbe tagliare tubi del gas o dell'acqua, cablaggi elettrici od oggetti che possono causare il rinculo.

PRECAUZIONI PER L'USO DELL'ELETTRONCATRICE

1. Non montare mai alcun pezzo che non sia la mola diamantata come specificato dal fabbricante. Non usare l'utensile mentre vi si applica l'acqua.
2. Prima di usare l'utensile, controllare sempre le condizioni della mola diamantata. Se presentasse delle fessure, rotture o deformazioni, non usarla. Mettere in moto l'utensile e controllare attentamente che tutto sia normale.
3. L'uso della mola diamantata per tagliare del metallo riduce la durata dell'utensile e può causare danni. Non usare mai la mola diamantata per tagliare del metallo.
4. Iniziare a lavorare solo quando l'utensile ha raggiunto la velocità massima.
5. Sovraccaricando il motore si riduce l'efficienza di lavoro e la durata dell'utensile. Tagliare cemento, tegole e pietre con una profondità massima di 50mm. Dovendo tagliare con una profondità maggiore di 50mm, eseguire l'operazione in più volte. Forzando l'utensile a tagliare ad una profondità maggiore di 50mm, si riduce la durata della mola diamantata e si causa il grippaggio del motore.
6. Non usare questa macchina per tagliare l'amianto.
7. Se nelle operazioni in cui si usa una mola da taglio dovessero fuoriuscire scintille, coprire l'adattatore del collettore della polvere con un coperchietto di gomma e indossare occhiali di protezione.

CARATTERISTICHE

Modello	CM9SR	CM9UBY
Voltaggio (per zona)*1	(110 V, 230 V) ~	
Potenza assorbita*1	2000 W	2600 W
Velocità senza carico	6600 min ⁻¹	
Dimensioni della mola diamantata	Diametro esterno 230 mm Spessore 2,5 mm Diametro del foro 22,23 mm	
Profondità massima di taglio	60 mm	
Peso (senza cavo e mola diamantata)	7,7 kg	8,1 kg
Limitazione della corrente d'avviamento*2	No	Si

*1 Accertatevi di aver controllato bene la piastrina perché essa varia da zona a zona.

*2 Mediante la limitazione della corrente d'avviamento, essa viene ridotta in modo da non causare lo sgancio dell'interruttore automatico (da 16 A).

ACCESSORI STANDARD

- (1) Chiave 1
(2) Adattatore 1

Gli accessori standard possono essere modificati senza preavviso.

APPLICAZIONI

- Taglio o tracciamento in cemento
- Taglio o tracciamento in tegole
- Taglio o tracciamento in pietre
- Taglio o tracciamento in tegole per tetto

PRIMA DELL'USO

1. Alimentazione

Assicurarsi che la rete di alimentazione che si vuole usare sia compatibile con le caratteristiche relative all'alimentazione di corrente specificate nella piastrina dell'apparecchio.

2. Interruttore di corrente

Mettere l'interruttore in posizione SPENTO. Se la spina è infilata in una presa mentre l'interruttore è acceso, l'utensile elettrico si mette immediatamente in moto, facilitando il verificarsi di incidenti gravi.

3. Prolunga del cavo

Quando l'ambiente di lavoro è lontano da una presa di corrente, usare una prolunga del cavo di sufficiente spessore e di prestazione adeguata. La prolunga deve essere più corta possibile.

4. Montaggio e controllo della mola diamantata

Controllare che la mola diamantata usata sia adatta e in buone condizioni. Controllare pure che sia montata correttamente. Per quanto riguarda l'installazione, vedere "Montaggio e smontaggio della mola diamantata".

5. Fissaggio e regolazione del coperchio raccogli polvere (Fig. 1, Fig. 2)

Il coperchio raccogli polvere è un dispositivo di protezione per evitare lesioni qualora il disco diamantato dovesse spostarsi durante il funzionamento. Assicurarsi che il coperchio sia ben messo e fissato prima di iniziare le operazioni di taglio.

[Installazione e regolazione del coperchio raccogli polvere]

- Aprire la leva ed inserire il perno di perno di posizionamento del coperchio raccogli polvere, portandolo in linea con l'apertura della chiave del terreno di imballaggio.
 - Quindi ruotare la protezione ruota nella posizione desiderata (per l'utilizzo).
 - Chiudere la leva e fissarla. Se e quando è necessario, eseguire le regolazioni serrando o allentando la vite.
 - Se la leva non si sposta in modo uniforme, applicare dell'olio lubrificante alla sezione scorrevole tra il pezzo di arresto e la leva.
 - Fissare il coperchio raccogli polvere alla posizione dove le piastre trasversali del coperchio e la massa di imballaggio sono allineate (la posizione in cui il coperchio raccogli polvere è inserito), ma non usarlo.
- 6. Controllo del meccanismo di blocco dell'asse**
Controllare che il meccanismo di blocco dell'asse sia libero, spingendo due o tre volte il relativo testo prime di accendere l'accendere l'utensile a motore (Vedere Fig. 1).
- 7. Regolazione della profondità di taglio (Fig. 3)**
Abbassando l'aletta si allenta ed alzandola si fissa. Allentando l'aletta e muovendo la base si potrà regolare la profondità di taglio.

ATTENZIONE

Lasciando il dado a farfalla abbassato potrebbero verificarsi incidenti e lesioni. Stringere saldamente il dado a farfalla dopo aver regolato la profondità di taglio.

MONTAGGIO DEL TUBO FLESSIBILE PER LA RACCOLTA DELLA POLVERE

Dovendo lavorare un materiale che produce molta polvere, è consigliabile usare il tubo flessibile per la raccolta della polvere, nel modo descritto di seguito.

- (1) Rimuovere il tappo in gomma e installare l'accessorio adattatore. (Fig. 4)
- (2) Installare il tubo raccogli polvere dell'utensile elettrico sull'accessorio adattatore. (Fig. 4)

ATTENZIONE

Mettere sempre un coperchietto di gomma sull'adattatore del collettore della polvere quando non si usa il tubo flessibile del collettore della polvere.

MONTAGGIO E SMONTAGGIO DELLA MOLA DIAMANTATA

1. Montaggio

- (1) Allentare il dado del pomello e togliere il coperchio (B).
- (2) Togliere la polvere di taglio accumulatasi sull'albero e sulla rondella.
- (3) Accertarsi che il senso di rotazione del disco diamantato sia conforme al senso indicato sulla scatola del cambio e installare l'unità come mostrato in Fig. 1.
- (4) Premere il tasto di blocco e fissare l'albero. Stringere il dado ad anello con la chiave fornita. (Fig. 1).

NOTA

Utilizzare sempre la chiave fornita per stringere il dado ad anello.

2. Smontaggio

Rimuovere il dado ad anello con la chiave fornita e rimuovere il disco diamantato. (Fig. 1)

TAGLIO

1. Procedimenti di taglio (Fig. 5)

- (1) Posizionare l'utensile sul materiale da tagliare ed allineare la linea di taglio e il disco diamantato. Il taglio può essere eseguito uniformemente se tagliate in linea retta sulla linea di taglio del taglio iniziale.
- (2) Attivare l'interruttore dell'unità principale quando la mola diamantata non è a contatto con il materiale da tagliare.

2. Funzionamento dell'interruttore

Accensione ON:

Premere il tsto di blocco in avanti e quindi premere il pulsante.

* Per un uso continuo, premere il pulsante. Il pulsante si blocca premendo il tasto di blocco in avanti un'altra volta.

(*cambia a seconda dell'area.)

Spegnimento OFF:

Premere e rilasciare il pulsante.

3. Precauzioni da prendere immediatamente dopo aver eseguito il lavoro di rifinitura

Dopo aver spento la macchina, non posarla fino a che la mola non sia completamente arrestata. Oltre ad evitare gravi incidenti, questa precauzione riduce la quantità di polvere e di detriti succhiati all'interno della macchina.

ATTENZIONE

- Prima di cominciare a lavorare, controllare sempre la condizione della mola diamantata. Se presentasse delle fessure rotture o deformazioni, non usarla.
- Non applicare acqua con sostanze da raffreddamento sulla mola diamantata.
- Cominciare a lavorare solo quando l'utensile gira alla velocità massima.
- Se il motore si ingrippa o si sente un rumore anormale, spegnere subito l'utensile.
- Non usare mai la mola diamantata per tagliare a zig-zag, a linea curva. Non usare la superficie laterale della mola diamantata e non usarla in posizione inclinata.
- Se si applica una forza eccessiva sul disco diamantato per allinearlo con la linea di taglio durante il taglio, ciò potrebbe non soltanto sovraccaricare il motore e causare danni da

bruciatura ma potrebbe anche surriscaldare il disco diamantato e pregiudicarne la durata.

- Fissare il pezzo da lavorare. Un pezzo da lavorare fissato con dispositivi di serraggio o una morsa viene tenuto più saldamente che con la mano.
- Attenzione che il cavo di corrente non venga in contatto con la mola diamantata mentre gira.
- A lavoro terminato, spegnere l'utensile e scollegare il cavo di corrente.

MANUTENZIONE E CONTROLLO

1. Controllo della mola diamantata

Una mola diamantata consumata è causa di sovraccarico del motore e di efficienza di lavoro ridotta. Sostituire immediatamente la mola diamantata, non appena presenta segni di usura.

2. Intasatura della ruota di diamante

Il grado di usura del bordo tagliente della ruota di diamante varia a seconda del materiale tagliato, della velocità di taglio, ecc. In general, i materiali che producono residui granulari tendono a graffiare l'agente adesivo accelerando l'usura della ruota di diamante. I materiali che producono residui polverosi tendono invece ad intasare lo strato di diamante riducendo l'efficienza dell'operazione di taglio. Quando la ruota di diamante è intasata, la forza addizionale applicata su essa nel tentativo di accelerare la velocità di taglio, tende a produrre delle scintille attorno alla circonferenza della ruota di diamante. Se dovesse verificarsi questa eventualità, interrompere l'operazione e ispezionare il bordo di taglio con le dita. Se lo strato di diamante risulta liscio al tatto (non ruvido, né abrasivo), significa che è intasato di polvere e deve essere affilato.

Si otterrà una perfetta affilatura tagliando a velocità leggermente superiore al normale circa 5 metri di materiale morbido alla profondità di taglio di circa 10mm. Ciò produrrà la formazione di residui granulari che riporteranno alla normalità l'efficienza di taglio della ruota e ne estenderanno la durata di servizio.

Il materiale di diamante risente delle alte temperature e comincia a deteriorarsi alla temperatura di circa 600°C. Temperature superiori ne provocheranno la decomposizione. È perciò importante effettuare l'affilatura ai primi segni di intasatura o di scintille.

3. Controllo delle viti di tenuta

Controllare regolarmente tutte le viti di tenuta e assicurarsi che siano esclusivamente serrate. Nel caso che una di queste viti dovesse allentarsi riserrarla immediatamente. Se ciò non avviene si può causare una grave incidente.

4. Manutenzione del motore

L'avvolgimento del motore è il vero e proprio "cuore" degli attrezzi elettrici.

Fare attenzione a non danneggiare l'avvolgimento e/o non bagnarlo con olio o acqua.

5. Controllo della spazzola di carbone (Fig. 6)

Il motore impiega spazzola di carbone, materiali soggetti a consumo.

Quando una spazzola è consumata o vicina al "limite d'usura", il motore potrebbe subire dei danni. Usando spazzole di carbone con arresto automatico, il motore si ferma automaticamente quando queste sono consumate. In tal caso, bisogna sostituirle con delle nuove, dello stesso numero come indicato nella figura. Tenere, inoltre, sempre pulite le spazzole e fare in modo che queste scorrano liberamente all'interno del portaspaZZole.

6. Sostituzione di una spazzola di carbone**CM9UBY (Fig. 7)**

<Disassemblaggio>

- (1) Allentare la vite filettante D4 che trattiene il coperchio spazzole e rimuovere il coperchio spazzole.
- (2) Usare la chiave maschia esagonale ausiliaria o un piccolo cacciavite per tirare in fuori l'estremità della molla che è tenuta ferma della spazzola di carbone. Rimuovere l'estremità della molla verso il fuori del contenitore della spazzola.
- (3) Rimuovere l'estremità delle treccia sulla spazzola a carbone dalla sezione terminale del contenitore della spazzola e quindi rmuovere la spazzola a carbone dal contenitore della spazzola.

<Assemblaggio>

- (1) Inserire l'estremità della treccia della spazzola a carbone nella sezione terminale del contenitore della spazzola.
- (2) Inserire la spazzola carbone nel suo contenitore.
- (3) Usare una chiave maschia esagonale ausiliaria o un piccolo cacciavite per fare ritornare l'estremità della molla della spazzola a carbone.
- (4) Chiudere il coperchio delle spazzole e stringere le viti autofilettanti D4.

CM9SR

Togliere la capsula della spazzola con un cacciavite a taglio. La spazzola può così essere agevolmente rimossa.

7. Lista dei pezzi di ricambio**ATTENZIONE:**

Riparazioni, modifiche e ispezioni di utensili elettrici HiKOKI devono essere eseguite da un centro assistenza HiKOKI autorizzato.

Questa lista dei pezzi torna utile se viene presentata con l'utensile al centro assistenza HiKOKI autorizzato quando si richiedono riparazioni o altri interventi di manutenzione.

Nell'uso e nella manutenzione degli utensili elettrici devono essere osservate le normative di sicurezza e i criteri prescritti in ciascun paese.

MODIFICHE:

Gli utensili elettrici HiKOKI vengono continuamente migliorati e modificati per includere le più recenti innovazioni tecnologiche.

Di conseguenza, alcuni pezzi possono essere modificati senza preavviso.

GARANZIA

Garantiamo gli Utensili Elettrici HiKOKI in conformità alle specifiche normative imposte dalla legge e dai paesi. Questa garanzia non copre difetti o danni dovuti a uso erraneo, abuso o normale usura. In caso di lamentele, si prega di inviare l'Utensile Elettrico, non smontato, insieme al CERTIFICATO DI GARANZIA che si trova al termine di queste Istruzioni per l'uso, ad un Centro di Assistenza Autorizzato HiKOKI.

NOTA

A causa del continuo programma di ricerca e sviluppo della HiKOKI, le caratteristiche riportate in questo foglio sono soggette a cambiamenti senza preventiva comunicazione.

Informazioni riguardanti i rumori trasmessi dall'aria e le vibrazioni

I valori misurati sono stati determinati in conformità a EN60745 e descritti in conformità alla normativa ISO 4871.

Livello misurato di potenza sonora pesato A: 111 dB (A)
Livello misurato di pressione sonora pesato A: 100 dB (A)
KpA incertezza: 3 dB (A)

Indossare i dispositivi di protezione acustica.

Valori totali di vibrazione (somma vettori triass.) determinati secondo la norma EN60745.

CM9SR

Valore di emissione vibrazioni $a_h = 5,0 \text{ m/s}^2$
Incertezza K = 1,5 m/s^2

CM9UBY

Valore di emissione vibrazioni $a_h = 2,9 \text{ m/s}^2$
Incertezza K = 1,5 m/s^2

Il valore totale di emissione vibrazioni dichiarato è stato misurato in base al metodo di test standard e può essere utilizzato per confrontare un utensile con un altro. Può essere inoltre utilizzato per la stima preliminare dell'esposizione.

AVVERTENZA

- Il valore di emissione vibrazioni durante l'uso effettivo dell'utensile può essere diverso dal valore totale dichiarato in base alle modalità di utilizzo dell'utensile stesso.
- Identificare le misure di sicurezza per la protezione dell'operatore basate su stima dell'esposizione nelle effettive condizioni di utilizzo (prendendo in considerazione tutte le parti del ciclo di funzionamento come i tempi in cui l'utensile resta spento e quando funziona senza essere utilizzato in aggiunta al tempo di avvio).

● Informazioni sui sistemi di alimentazione a tensione nominale di 230 V~ (Solo per CM9SR)

In condizioni di alimentazione sfavorevoli, questo utensile elettrico può causare *cadute di tensione transitorie o fluttuazioni di tensione di interferenza*.

Questo utensile elettrico è inteso per il collegamento ad un sistema di alimentazione con un'impedenza massima permessa di sistema Z_{MAX} di 0,28 Ohm al punto di interfaccia (scatola di alimentazione) della fonte di alimentazione dell'utilizzatore.

L'utilizzatore deve assicurarsi che questo utensile elettrico sia collegato solo ad un sistema di alimentazione che soddisfa il requisito sopra citato.

Se necessario, l'utilizzatore può contattare l'ente elettrico locale riguardo l'impedenza di sistema al punto di interfaccia.

ALGEMENE VEILIGHEIDSWAARSCHUWINGEN VOOR ELEKTRISCH GEREEDSCHAP

⚠ WAARSCHUWING

Lees alle waarschuwingen en instructies aandachtig door.

Nalating om de waarschuwingen en instructies op te volgen kan in een elektrische schok, brand en/of ernstig letsel resulteren.

Bewaar alle waarschuwingen en aanwijzingen voor eventuele naslag in de toekomst.

De term "elektrisch gereedschap" heeft zowel betrekking op elektrisch gereedschap dat via de netvoeding van stroom wordt voorzien als gereedschap dat via een accu (snoerloos) van stroom wordt voorzien.

1) Veiligheid van de werkplek

a) Zorg voor een schone en goed verlichte werkplek.

Een rommelige of donkere werkplek verhoogt de kans op ongelukken.

b) Gebruik het elektrisch gereedschap niet in een omgeving met ontplofbare vloeistoffen, gassen of stof.

Elektrisch gereedschap kan vonken afgeven. Deze vonkjes kunnen stofdeeltjes of gassen doen ontbranden.

c) Houd kinderen en andere toeschouwers tijdens het gebruik van elektrische gereedschap uit de buurt.

Afleidingen kunnen gevaarlijk zijn.

2) Elektrische veiligheid

a) De stekker op het elektrische gereedschap moet geschikt zijn voor aansluiting op de wandcontactdoos.

De stekker mag op geen enkele manier gemodificeerd worden. Gebruik geen verloopstekker met geaard elektrisch gereedschap. Deugdelijke stekkers en geschikte wandcontactdozen verminderen het risico op een elektrische schok.

b) Vermijd lichamen contact met geaarde oppervlakken zoals leidingen, radiatoren, fornuizen en koelkasten.

Wanneer uw lichaam in contact staat met geaarde oppervlakken loopt u een groter risico op een elektrische schok.

c) Stel het elektrisch gereedschap niet bloot aan regen of vochtige omstandigheden.

Het risico op een elektrische schok wordt vergroot wanneer er water in het elektrisch gereedschap terecht komt.

d) Behandel het snoer voorzichtig. Draag het gereedschap nooit door dit bij het snoer vast te houden. Trek niet aan het snoer wanneer u de stekker uit het stopcontact wilt halen. Houd het snoer uit de buurt van warmtebronnen, olie, scherpe randen of bewegende onderdelen.

Een beschadigd of verward snoer verhoogt het risico op een elektrische schok.

e) Gebruik buitenshuis een verlengsnoer dat specifiek geschikt is voor het gebruik buiten. Het gebruik van een snoer dat specifiek geschikt is voor gebruik buitenshuis vermindert het risico op een elektrische schok.

f) Als het elektrisch gereedschap in een vochtige omgeving gebruikt moet worden, dient een voeding met RCD (reststroom-apparaat) beveiliging te worden gebruikt.

Gebruik van een RCD vermindert de kans op een elektrische schok.

3) Persoonlijke veiligheid

a) Blijf waakzaam, let voortdurend op uw werk en gebruik uw gezond verstand wanneer u elektrisch gereedschap gebruikt.

Gebruik geen elektrisch gereedschap wanneer u moe bent of onder invloed van drugs, alcohol of medicijnen.

Eén moment van onoplettendheid kan in ernstig lichamen letsel resulteren.

b) Gebruik persoonlijke beschermingsmiddelen. Draag altijd oogbescherming.

Beschermingsmiddelen zoals stofmaskers, niet-glijdende veiligheidsschoenen, een helm of oorbescherming vermindert het risico op lichamen letsel.

c) Voorkom dat het gereedschap per ongeluk kan starten. Controleer of de schakelaar in de uitstand staat voordat u de voeding en/of de accu aansluit, het gereedschap oppakt of gaat dragen. Zorg ervoor dat u tijdens het verplaatsen van het elektrisch gereedschap uw vingers uit de buurt van de schakelaar houdt en sluit de stroombron niet aan terwijl de schakelaar op aan staat om ongelukken te vermijden.

d) Verwijder sleutels en moersleutels uit het gereedschap voordat u het elektrisch gereedschap aanzet.

Een (moer-)sleutel die op een bewegend onderdeel van het elektrisch gereedschap bevestigd is kan in lichamen letsel resulteren.

e) Reik niet te ver. Zorg ervoor dat u te allen tijde stevig staat en uw evenwicht behoudt.

Op deze manier heeft u tijdens een onverwachte situatie meer controle over het elektrisch gereedschap.

f) Draag geen loszittende kleding of sieraden. Houd uw haar, kleding en handschoenen uit de buurt van bewegende onderdelen.

Loszittende kleding, sieraden en lang haar kunnen in de bewegende onderdelen verstrikt raken.

g) Indien het elektrisch gereedschap van een aansluiting voor stofafzuiging is voorzien dan dient u ervoor te zorgen dat de stofafzuiging aangesloten is en op de juiste manier gebruikt wordt.

Het gebruik van stofafzuiging vermindert eventuele stofgerelateerde risico's.

4) Bediening en onderhoud van elektrisch gereedschap

a) Het elektrisch gereedschap mag niet geforceerd worden. Gebruik het juiste gereedschap voor het karwei.

U kunt de klus beter en veiliger uitvoeren wanneer u het juiste elektrische gereedschap gebruikt.

b) Gebruik het elektrisch gereedschap niet als de schakelaar niet goed werkt.

Elektrisch gereedschap dat niet via de schakelaar bediend kan worden is gevaarlijk en moet onmiddellijk gerepareerd worden.

- c) Haal de stekker uit het stopcontact voordat u de voeding en/of de accu van het elektrisch gereedschap losmaakt, afstellingen verricht, accessoires verwisselt of voordat u het elektrisch gereedschap opbergt.
Dergelijke preventieve veiligheidsmaatregelen verminderen het risico dat het elektrisch gereedschap per ongeluk opstart.
- d) Berg elektrisch gereedschap buiten het bereik van kinderen op en sta niet toe dat personen die niet bekend zijn met het juiste gebruik van het gereedschap of deze voorschriften dit elektrisch gereedschap gebruiken.
Elektrisch gereedschap is gevaarlijk in onbevoegde handen.
- e) Het elektrisch gereedschap moet regelmatig onderhouden worden. Controleer het gereedschap op een foutieve uitlijning, vastgelopen of defecte bewegende onderdelen en andere problemen die van invloed zijn op de juiste werking van het gereedschap. Indien het gereedschap defect of beschadigd is moet het gerepareerd worden voordat u het gereedschap opnieuw gebruikt.
Slecht onderhouden elektrisch gereedschap is verantwoordelijk voor een groot aantal doe-het-zelf ongelukken.
- f) Houd snijwerktuigen scherp en schoon.
Goed onderhouden snijwerktuigen met scherpe snijranden lopen minder snel vast en zijn gemakkelijker in het gebruik.
- g) Elektrisch gereedschap, toebehoren, bits enz. moeten in overeenstemming met deze instructies worden gebruikt waarbij de werkomstandigheden en het werk in overweging moeten worden genomen.
Gebruik van het elektrisch gereedschap voor andere doeleinden dan waarvoor het is bedoeld, kan resulteren in een gevaarlijke situatie.
- 5) Onderhoudsbeurt
- a) Het gereedschap mag uitsluitend door bevoegd onderhoudspersoneel worden onderhouden die authentieke onderdelen gebruikt.
Hierdoor kunt u erop aan dat de veiligheid van het elektrisch gereedschap behouden blijft.

VOORZORGMAATREGELEN

Houd kinderen en kwetsbare personen op een afstand. Het gereedschap moet na gebruik buiten het bereik van kinderen en andere kwetsbare personen worden opgeborgen.

VEILIGHEIDSWAARSCHUWINGEN VOOR DE AFKORTMACHINE

- a) De beveiliging die bij het elektrisch gereedschap wordt geleverd moet stevig aan het gereedschap worden bevestigd en in positie worden gebracht voor een maximale veiligheid, zodat een zo klein mogelijk gedeelte van de schijf blootligt in de richting van de operator. Zorg dat uzelf en eventuele omstanders uit de buurt zijn van het vlak van de draaiende schijf.
De beveiliging beveiligd de operator tegen afgebroken schijfdeeltjes en per ongeluk in contact komen met de schijf.
- b) Gebruik alleen diamanten snijschijven voor uw elektrisch gereedschap.
Het feit dat een bepaald accessoire aan uw elektrisch gereedschap kan worden bevestigd, betekent niet dat het ervoor geschikt is.
- c) De nominale snelheid van het accessoire moet minimaal gelijk zijn aan de maximale snelheid die op het elektrisch gereedschap staat aangegeven.
Accessoires die sneller draaien dan hun nominale snelheid kunnen breken en uit elkaar vliegen.
- d) Schijven mogen alleen voor de aanbevolen toepassingen worden gebruikt. Bijvoorbeeld: niet slijpen met de zijkant van een snijschijf.
Doorslijpschijven zijn bedoeld voor het slijpen met de buitenste rand; als er zijdelings kracht op deze schijven wordt uitgeoefend, kunnen ze breken.
- e) Gebruik altijd onbeschadigde schijfflenzen die de juiste diameter hebben voor de door u gekozen schijf. Juiste schijfflenzen ondersteunen de schijf en verminderen daardoor de kans op het stuk gaan van een schijf.
- f) De buitendiameter en de dikte van uw accessoire moet binnen de nominale capaciteit van uw elektrisch gereedschap vallen.
Accessoires van een verkeerde maat kunnen niet voldoende beveiligd of onder controle worden gehouden.
- g) De opsteekmaat van schijven en flenzen moet correct passen op de as van het elektrisch gereedschap.
Schijven en flenzen met opsteekgaten die niet overeenkomen met het montagegedeelte van het elektrisch gereedschap, zullen uit balans raken, overmatig trillen en verlies van controle veroorzaken.
- h) Gebruik geen beschadigde schijven. Inspecteer voor elk gebruik de schijven op afgebroken stukjes en barsten. Als u het elektrisch gereedschap heeft laten vallen, moet u dit inspecteren op beschadiging of een onbeschadigde schijf monteren. Plaats na het inspecteren en monteren van de schijf uzelf en omstanders uit de buurt van het vlak van de draaiende schijf en laat het elektrisch gereedschap gedurende één minuut onbelast op maximale snelheid draaien.
Normaal zullen beschadigde schijven tijdens deze test stuk gaan.
- i) Draag beschermende uitrusting. Gebruik afhankelijk van de toepassing gezichtsbescherming, oogbescherming of een veiligheidsbril. Draag al naargelang de omstandigheden een stofmasker, gehoorbescherming, handschoenen en een werkschort dat slijpsel of kleine materiaaldeeltjes kan tegenhouden.
De oogbescherming moet rondvliegende deeltjes die door diverse werkzaamheden worden geproduceerd kunnen tegenhouden. Het stofmasker of gasmasker moet deeltjes die door uw werkzaamheden geproduceerd worden kunnen filteren. Langdurige blootstelling aan geluid met een hoge intensiteit kan tot gehoorverlies leiden.
- j) Houd omstanders op een veilige afstand van de werkplek. Alle personen die de werkplek betreden moeten veiligheidsuitrusting dragen.
Fragmenten van het werkstuk of een gebroken schijf kunnen wegspringen en letsel veroorzaken buiten de onmiddellijke omgeving van de werkplek.
- k) Houd het elektrisch gereedschap vast bij de geïsoleerde handgrepen tijdens het uitvoeren van een karwei waarbij het snij-accessoire in contact kan komen met verborgen bedrading of het eigen snoer.

- Wanneer het snij-accessoire in aanraking komt met een kabel die onder spanning staat, kunnen de blootliggende metalen delen van het elektrisch gereedschap onder spanning komen en een elektrische schok toebrengen aan de operator.*
- l) Houd het snoer uit de buurt van het draaiende accessoire.**
Als u de controle verliest, kan het snoer doorgesneden of verstrikt raken en kan uw hand of arm in de draaiende schijf getrokken worden.
- m) Leg het elektrisch gereedschap nooit neer voordat de schijf volledig tot stilstand is gekomen.**
De draaiende schijf kan zich in het oppervlak vastzetten waardoor u de controle over het elektrisch gereedschap verliest.
- n) Laat het elektrisch gereedschap niet draaien wanneer u dit naast u draagt.**
Wanneer het draaiende accessoire per ongeluk in contact komt met uw kleding, kan dit daarin verstrikt raken en kan het accessoire in uw lichaam worden getrokken.
- o) Reinig regelmatig de ventilatieopeningen van het elektrisch gereedschap.**
De ventilator van de motor trekt stof in de behuizing en een overmatige opeenhoping van metaalpoeder kan gevaar voor een elektrische schok opleveren.
- p) Gebruik het elektrisch gereedschap niet in de buurt van brandbare materialen.**
Deze materialen kunnen door vonken tot ontbranding worden gebracht.
- q) Gebruik geen accessoire waarvoor een vloeibaar koelmiddel vereist is.**
Gebruik van water of een ander vloeibaar koelmiddel kan elektrocutie of een elektrische schok tot gevolg hebben.
- b) Plaats nooit uw hand in de buurt van het draaiende accessoire.**
Het accessoire kan over uw hand terugslaan.
- c) Breng uw lichaam niet in een positie in lijn met de draaiende schijf.**
Terugslag forceert het gereedschap in een richting tegenovergesteld aan de beweging van de schijf bij het punt van vastlopen.
- d) Wees bijzonder voorzichtig bij het bewerken van hoeken, scherpe randen enz. Voorkom dat het accessoire terugspringt en vastloopt.**
Bij hoeken, scherpe randen of terugspringen kan het draaiende accessoire vastlopen en verlies van controle of terugslag veroorzaken.
- e) Bevestig geen zaagketting, een zaagblad voor houtsnijwerk, een gesegmenteerde diamantschijf met een omtrekspleet van meer dan 10 mm of een getand zaagblad.**
Dergelijke bladen veroorzaken vaak terugslag en verlies van controle.
- f) Laat de schijf niet vastlopen en oefen er geen overmatige druk op uit. Probeer geen overmatig diepe insnijding te maken.**
Te veel druk op de schijf verhoogt de belasting en de kans op verdraaiing of vastlopen van de schijf in de snede en de mogelijkheid van terugslag en stuk gaan van de schijf.
- g) Wanneer de schijf is klemgeraakt of wanneer het snijden om een andere reden wordt onderbroken, schakelt u het elektrisch gereedschap uit en houdt u het elektrisch gereedschap op de plaats totdat de schijf volledig is gestopt. Probeer nooit om de schijf uit de snede te halen terwijl de schijf in beweging is omdat anders de kans bestaat op terugslag.**
Onderzoek de oorzaak van het klemraken van de schijf en neem passende maatregelen om de oorzaak te verhelpen.
- h) Start het snijden niet opnieuw in het werkstuk. Laat de schijf eerst op volle snelheid draaien en breng deze opnieuw voorzichtig in de snede.**
De schijf kan klemraken, wegspringen of terugslaan als het elektrisch gereedschap in het werkstuk wordt gestart.
- i) Ondersteun panelen of werkstukken van grote afmeting om het risico van klemraken van de schijf of terugslag minimaal te houden.**
Grote werkstukken kunnen onder hun eigen gewicht doorbuigen. Plaats steunen onder het werkstuk in de buurt van de snijlijn en bij de rand van het werkstuk aan beide zijden van de schijf.
- j) Wees extra voorzichtig bij het maken van uitsnijdingen in bestaande muren of op andere verborgen plaatsen.**
De uitstekende schijf kan gas- of waterleidingen, elektrische bedrading of voorwerpen die terugslag kunnen veroorzaken doorsnijden.

Terugslag en verband houdende waarschuwingen

Terugslag is een plotselinge reactie van een draaiende schijf die klemgeraakt of vastgelopen is. Klemraken of vastlopen veroorzaakt snel afslaan van de draaiende schijf die daardoor het elektrisch gereedschap bij het punt van klemraken eigenmachtig in de richting forceert tegenovergesteld aan de draairichting van de schijf.

Als een slijpwiel bijvoorbeeld is vastgelopen of klemgeraakt in het werkstuk, kan de schijfrand die in het klempunt binnendringt in het materiaal gedrukt worden waardoor de schijf naar buiten komt of naar buiten springt. De schijf kan naar de operator toe- of van de operator wegspringen, afhankelijk van de richting van de beweging van het wiel wanneer dit klemraakt. Slijpwielen kunnen onder deze omstandigheden ook breken.

Terugslag is het resultaat van een verkeerde bediening of verkeerd gebruik van het elektrisch gereedschap, of verkeerde werkomstandigheden en kan voorkomen worden als de juiste voorzorgsmaatregelen worden genomen zoals hieronder beschreven.

- a) Houd het elektrisch gereedschap stevig in uw greep en houd uw lichaam en arm in een positie waarbij terugslagkrachten opgevangen kunnen worden. Gebruik altijd de extra handgreep, indien voorzien, voor maximale controle over terugslag of reactiekoppel bij het opstarten.**
De operator kan reactiekoppel of terugslagkrachten onder controle houden als de juiste voorzorgsmaatregelen worden genomen.

VOORZORGSMAATREGELEN BETREFFENDE HET GEBRUIK VAN DE STEENZAAGMACHINE

1. Bevestig nooit ander gereedschap of voorwerpen dan de diamantschijf zoals gespecificeerd door de fabrikant. Gebruik nooit water met de slijpmachine.
2. Controleer altijd de conditie van de diamantschijf alvorens het gereedschap in te schakelen. Bij barsten, verbuiging of andere beschadigingen mag de schijf niet worden gebruikt.

3. Gebruik de diamantschijf niet voor het snijden van metaal. Dit zal namelijk resulteren in een kortere levensduur en beschadigingen. Inspecteer het gereedschap eveneens op andere beschadigingen.
 4. Begin pas met snijden nadat de maximale draaisnelheid is bereikt.
 5. Druk niet te hard op het gereedschap omdat dit de prestaties en de levensduur negatief zal beïnvloeden. Gebruik voor het snijden van beton, tegels of steen altijd een snijdiepte van 50mm of minder.
- Bij een snijdiepte van 50mm of meer moet het materiaal 2 tot 3 maal worden gesneden. Als het materiaal met een snijdiepte van meer dan 50mm wordt gesneden, zal dit de levensduur van de diamantschijf verkorten en kan de motor vastlopen.
6. Gebruik deze machine niet voor het snijden van asbest.
 7. Bij gebruik van een snijder moet u de stofverzamelaar met een rubberdop afdekken en een veiligheidsbril dragen indien er vlammen of vonken van de klus komen.

TECHNISCHE GEGEVENS

Model	CM9SR	CM9UBY
Voltage (verschillend van gebied tot gebied)*1	(110 V, 230 V) ~	
Opgenomen vermogen*1	2000 W	2600 W
Onbelaste snelheid	6600 min ⁻¹	
Afmetingen van diamantschijf	Buitendiameter 230 mm Dikte 2,5 mm Diameter opening 22,23 mm	
Max. Snijdiepte	60 mm	
Gewicht (zonder snoer, diamantschijf)	7,7 kg	8,1 kg
Aanloopstroombegrezing*2	Neen	Ja

*1 Controleer het naamplaatje op het apparaat daar het apparaat afhankelijk van het gebied waar het verkocht wordt gewijzigd kan worden.

*2 Door de aanloopstroombegrenzing wordt de inschakelstroomsterkte zo ver gereduceerd, dat een zekering (16 A traag) niet aanspreekt.

STANDAARD TOEBEHOREN

- (1) Sleutel 1
 (2) Adapter 1
 De standaard toebehoren kunnen zonder aankondiging op ieder moment worden veranderd.

TOEPASSINGEN

- Snijden of kappen van beton
- Snijden of kappen van tegels
- Snijden of kappen van steen
- Snijden of kappen van dakpannen

VOOR BEGIN VAN HET WERK

1. Netspanning

Controleren of de netspanning overeenkomt met de opgave op het naamplaatje.

2. Netschakelaar

Controleren of de netschakelaar op „UIT” staat. Wanneer de stekker op het net aangesloten is, terwijl de schakelaar op „AAN” staat, begint het gereedschap onmiddellijk te draaien, hetwelk ernstig gevaar betekent.

3. Verlengsnoer

Wanneer het werkteerrein niet in de buurt van een stopcontact ligt, dan moet men gebruik maken van een verlengsnoer, dat voldoende dwarsprofiel en voldoende nominaal vermogen heeft. Het verlengsnoer moet zo kort mogelijk gehouden worden.

4. Controleren en monteren van de diamantschijf

Controleer of de juiste diamantschijf wordt gebruikt en controleer de schijf op barsten, verbuiging of andere beschadigingen. Controleer of de diamantschijf stevig is gemonteerd. Voor het monteren wordt verwezen naar “Monteren/ demontieren van de diamantschijf”.

5. Het aanbrengen en instellen van de stofverzamelkap (Afb. 1, Afb. 2)

De stofverzamelkap is een beveiligingsinrichting, waardoor letsel verhinderd moet worden wanneer de diamantschijf tijdens het bedrijf zou breken. Zorg ervoor dat de kap juist aangebracht en bevestigd is voordat men met snijden begint.

[Aanbrengen en afstellen van de stofverzamelkap]

- Open de hendel en steek de paspen van de stofverzamelkap naar binnen zodat deze uitgelijnd is met het dwarse vlak van de pakking.
- Draai daarna het slijpscherm in de gewenste positie (voor gebruik).
- Sluit de hendel en zet deze vast. Indien nodig, kunnen afstellingen worden uitgevoerd door de schroef vast of los te draaien.
- Als de hendel niet soepel beweegt, breng dan wat smeerolie aan op het glijgedeelte tussen het stelstuk en de hendel.
- Maak de stofverzamelkap vast op de plaats waar het dwarse vlak van de paspen van de stofverzamelkap en de pakking zijn uitgelijnd (de plaats waar de stofverzamelkap naar binnen is gestoken), maar gebruik het niet.

6. Het controleren van het as-vergrendelmechanisme
Gecontroleerd moet worden of het asvergrendelmechanisme losgemaakt is, door twee of drie keer voor het aanschakelen an het apparaat op de drukknop te drukken (Zie Afb. 1).

7. Afstelling van de snijdiepte (Afb. 3)

Loszetten gebeurt door de vleugelmoer omlaag te zetten en vastzetten door de vleugelmoer omhoog te zetten.

Door het losdraaien van de vleugelmoer en het verplaatsen van de voetplaat kan de snijdiepte worden afgesteld.

VOORZICHTIG

Niet vastdraaien van de vleugelmoer kan letsel veroorzaken. Draai de vleugelmoer na het afstellen van de snijdiepte goed vast.

MONTEREN VAN DE STOFVERZAMELSLANG

Gebruik een stofverzamel slang als er bij het snijden erg veel stof ontstaat. Bevestig de slang als volgt:

- (1) Verwijder de rubber dop en monteer de bijgeleverde slang. (Afb. 4)
- (2) Monteer de stofverzamel slang voor het elektrisch gereedschap in de bijgeleverde adapter. (Afb. 4)

VOORZICHTIG

Plaats altijd een rubber dop op de stofverzameladapter indien u de stofverzamel slang niet gebruikt.

MONTEREN/DEMONTEREN VAN DE DIAMANTSCHIJF

1. Monteren

- (1) Draai de knopmoer los en verwijder de kap (B).
- (2) Veeg alle stof van de as en de ring.
- (3) Controleer of de draairichting van de diamantschijf overeenkomt met de richting die op de tandwielkast is aangegeven en plaats de diamantschijf zoals in Afb. 1 wordt getoond.
- (4) Druk op de vergrendelpen en zet de as vast. Draai de schijfmoer goed vast met de bijgeleverde sleutel. (Afb. 1)

AANTEKENING

Gebruik altijd de bijgeleverde sleutel om de schijfmoer vast te draaien.

2. Demonteren

Verwijder de schijfmoer met de bijgeleverde sleutel en verwijder de diamantschijf. (Afb. 1)

SNIJDEN

1. Procedure voor het snijden (Afb. 5)

- (1) Plaats dit gereedschap op het te snijden materiaal en breng de slijprijn en de diamantschijf in lijn. Het snijden kan vlot verlopen wanneer u in één keer rechtdoor snijdt en de eerder gemaakte slijprijn volgt.
- (2) Bedien de hoofdschakelaar wanneer de diamantschijf niet het te snijden materiaal raakt.

2. Bediening van de schakelaar

Inschakelen (ON):

Druk de vergrendelknop vooruit en druk dan de schakelaar in.

* Voor ononderbroken gebruik houdt u de schakelaar ingedrukt. Tevens kunt u de schakelaar vergrendelen door de vergrendelknop nogmaals in te drukken.

(* Dit punt kan van gebied tot gebied verschillen.)

Uitschakelen (OFF):

Druk de schakelaar in en laat deze weer los.

3. Veiligheidsmaatregelen onmiddellijk na beëindiging van het werk

Na het uitschakelen mag de machine pas neergelegd worden, wanneer de slijpschijf volledig tot stilstand gekomen is. Afgezien van dat u hiermee ongelukken vermijdt, wordt door deze veiligheidsmaatregel tevens vermeden, dat stof en spaanders in de machinegezogen worden.

VOORZICHTIG

- Controleer de konditie van de diamantschijf alvorens te gaan werken. Bij barsten, verbuiging of andere beschadigingen mag de schijf niet worden gebruikt.
- Besprenkel de diamantschijf niet met water of koelvloeistof.
- Begin pas met snijden nadat de diamantschijf op maximale snelheid is.
- Schakel het gereedschap meteen uit als de diamantschijf vast komt te zitten of als er een abnormaal geluid is.
- Gebruik de diamantschijf niet voor zigzag-snijden of het snijden van gebogen lijnen. Gebruik niet het zijvlak van de diamantschijf en snijd ook niet onder een hoek.
- Indien u overmatige druk op de diamantschijf uitoefent om deze tijdens het snijden op de slijprijn te houden, zal dit niet alleen de motor overbelasten en brandschade veroorzaken, maar tevens de diamantschijf oververhitten en de levensduur bekorten.
- Zet het werkstuk vast. Een werkstuk dat met klemmen of in een bankschroef is vastgeklemd wordt steviger vastgehouden dan met de hand.
- Let er op dat het netsnoer tijdens het gebruik van het gereedschap niet in contact komt met de diamantschijf.
- Schakel het gereedschap na gebruik altijd uit en trek de stekker uit het stopcontact.

ONDERHOUD EN INSPECTIE

1. Inspectie van de diamantschijf

Bij gebruik van een versleten diamantschijf wordt de motor overbelast en zullen de prestaties verminderen. Vervang de schijf in dat geval meteen door een nieuwe.

2. Verstopt raken van de diamantschijf

De slijtage van de snijrand van de diamantschijf is afhankelijk van de snijnsnelheid, het soort materiaal dat gesneden wordt, enz. Over het algemeen kunnen materialen waarbij in het slijpsel scherpe deeltjes voorkomen het plakmiddel van de diamantlaag aantasten en slijtage van de laag zelf veroorzaken.

Bij het snijden van materialen daarentegen waarvan het slijpsel slechts poeder bevat kan de diamantlaag verstopt raken, waardoor deze minder doeltreffend is voor het snijden. Wanneer op een verstopt geraakte diamantschijf meer kracht wordt uitgeoefend, om de snijnsnelheid te verbeteren, dan zullen om de rand van de snijschijf soms vonken te zien zijn. In dat geval dient u het snijden te onderbreken en de snijrand zorgvuldig te controleren door er met de vingertoppen langs te gaan. Als de diamantlaag niet ruw en schurend aanvoelt maar egaal glad is, betekent dit dat de laag door poeder verstopt is geraakt en schoongemaakt moet worden. Een manier om de diamantlaag goed schoon te maken is door het versneld snijden met een snijdiepte van 10mm van ongeveer 5 meter betrekkelijk zacht materiaal als baksteen of cementblokken. De scherpe deeltjes in het slijpsel zullen de doelmatigheid van de diamantlaag verbeteren en de levensduur van de snijschijf ten goede komen.

Het materiaal van de diamantlaag is gevoelig voor hoge temperaturen en kan niet blootgesteld worden aan temperaturen van boven 600°C; hierboven zal de diamantlaag aangetast worden. Om deze reden is het van belang om de diamantlaag schoon te maken wanneer er vonken rond de snijschijf optreden, of zodra u merkt dat de snijlaag verstopt is geraakt.

3. Inspectie van de bevestigingsschroef

Alle bevestigingsschroeven worden regelmatig geïnspecteerd en gecontroleerd of zij juist aangedraaid zijn. Wanneer één van de schroeven losraakt, dan moet deze onmiddellijk opnieuw aangedraaid worden. Gebeurt dat niet, dan kan dat aanzienlijke gevaren opleveren.

4. Onderhoud van de motor

De motorwikkeling is het „hart” van het elektrische gereedschap.

Er moet daarom bijzonder zorgvuldig op gelet worden, dat de wikkeling niet beschadigt en/of met olie of water bevochtigd wordt.

5. Inspectie van de koolborstels (Afb. 6)

Bij de motor zijn koolborstels gebruikt, die onderhevig zijn aan slijtage.

De motor kan beschadigd worden wanneer de „koolborstels versleten” zijn. De motor stopt automatisch wanneer deze voorzien is van auto-stop koolborstels.

In dit geval dienen beide koolborstels vervangen te worden door nieuwe borstels van hetzelfde nummer, zoals de afbeelding laat zien. Bovendien moeten de koolborstels zich in de borstelhouders vrij kunnen bewegen.

6. Het wisselen van de koolborstel

CM9UBY (Afb. 7)

<Demonteren>

- (1) Draai de zelftappende schroef D4 die de afdekking van de borstel vasthoudt los en verwijder de afdekking.
- (2) Gebruik de bijgeleverde inbussleutel of een kleine schroeverdraaier om de rand van de spiraalveer die de koolborstel tegen houdt op te wippen. Verwijder de haak van de veer naar de buitenkant van de koolborstelhouder.

- (3) Verwijder het gekrulde uiteinde van de koolborstel uit de bedradingsblok-groep (A) en verwijder van de koolborstel uit de koolborstelhouder.

<Monteren>

- (1) Steek het gekrulde uiteinde van de borstelverbindingsdraad in het aansluitgedeelte van de koolborstelhouder.
- (2) Plaats de koolborstel in de koolborstelhouder.
- (3) Gebruik de bijgeleverde inbussleutel of een kleine schroevendraaier om de rand van de spiraalveer weer op de bovenkant van de koolborstel aan te brengen.
- (4) Monteer de borstelkap en draai tenslotte de zelftappende D4 schroef weer vast.

CM9SR

Men demonteert de borsteldeksel met een sneekleutel. Men kan de koolborstel dan gemsaveakkelijk verwijderen.

7. Lijst vervangingsonderdelen

VOORZICHTIG:

Reparatie, modificatie en inspectie van HiKOKI elektrisch gereedschap dient te worden uitgevoerd door een erkend HiKOKI Service-centrum.

Deze Onderdelenlijst komt van pas wanneer u deze samen met het gereedschap aanbiedt bij het erkende HiKOKI Service-centrum wanneer u om reparatie of ander onderhoud verzoekt.

Bij gebruik en onderhoud van elektrisch gereedschap dienen de in het land waar u zich bevindt geldende veiligheidsregelgeving en veiligheidsstandaarden stipt te worden opgevolgd.

MODIFICATIES:

HiKOKI elektrisch gereedschap wordt voortdurend verbeterd en gewijzigd teneinde gebruik te kunnen maken van de nieuwste technische ontwikkelingen. Daarom is mogelijk dat sommige onderdelen zonder voorafgaande kennisgeving gewijzigd worden.

GARANTIE

De garantie op het elektrisch gereedschap van HiKOKI is in overeenstemming met de wettelijke/landspecifieke richtlijnen. Deze garantie dekt geen defecten of schade als gevolg van foutief gebruik, misbruik of normale slijtage. In geval van klachten verzoeken wij u het elektrisch gereedschap samen met het GARANTIECERTIFICAAT dat u achterin deze handleiding aantreft naar een erkend servicecentrum van HiKOKI te sturen. Indien door de gebruiker de machine wordt gedemonteerd vervalt de aanspraak op garantie.

AANTEKENING

Op grond van het voortdurende research- en ontwikkelingsprogramma van HiKOKI zijn veranderingen van de hierin genoemde technische opgaven voorbehouden.

Informatie betreffende luchtgeluid en trillingen

De gemeten waarden zijn verkregen overeenkomstig EN60745 en voldoen aan de eisen van ISO 4871.

Gemeten A-gewogen geluidsniveau: 111 dB (A)

Gemeten A-gewogen geluidsdrumniveau: 100 dB (A)

Onzekerheid KpA: 3 dB (A)

Draag gehoorbescherming.

Totale trillingswaarden (triax vector som) bepaald overeenkomstig EN60745.

CM9SR

Trillingsemisiewaarde $a_h = 5,0 \text{ m/s}^2$

Onzekerheid K = 1,5 m/s²

CM9UBY

Trillingsemisiewaarde $a_h = 2,9 \text{ m/s}^2$

Onzekerheid K = 1,5 m/s²

De totale bepaalde trillingswaarde is gemeten in overeenstemming met een standaardtestmethode en is bruikbaar om meerdere gereedschappen met elkaar te vergelijken.

U kunt dit ook als beoordeling vooraf aan de blootstelling gebruiken.

WAARSCHUWING

- De trillingsemisiewaarde tijdens het feitelijke gebruik van het elektrisch gereedschap kan afwijken van de opgegeven totale waarde afhankelijk van de manieren waarop het gereedschap wordt gebruikt.
- Neem kennis van de veiligheidsmaatregelen voor de bescherming van de gebruiker die gebaseerd zijn op een schatting van blootstelling onder feitelijke gebruiksomstandigheden (rekening houdend met alle onderdelen van de gebruikscyclus, zoals de tijd dat het gereedschap is uitgeschakeld en wanneer dit onbelast draait inclusief de triggertijd).

● Informatie over stroombronsysteem met een nominaal voltage van 230V~ (Alleen voor de CM9SR)

Bij ongunstige omstandigheden kan dit elektrische gereedschap *stootspanning* of *storende voltagefluctuaties* veroorzaken.

Dit elektrische gereedschap dient te worden aangesloten op een stroombron met een maximale toelaatbare systeemimpedantie Z_{max} van 0,28 Ohm bij het aansluitpunt (stroomvoorzieningskastje) van de gebruikerstoevoer.

De gebruiker dient zich ervan te verzekeren dat dit elektrische gereedschap uitsluitend wordt verbonden met een stroombronsysteem dat aan de hierboven beschreven vereiste voldoet.

Indien nodig, kan de gebruiker het plaatselijke elektriciteitsbedrijf raadplegen aangaande de systeemimpedantie bij het aansluitpunt.

ADVERTENCIAS DE SEGURIDAD GENERAL DE LA HERRAMIENTA ELÉCTRICA

⚠ ADVERTENCIA

Lea todas las instrucciones y advertencias de seguridad. Si no se siguen las advertencias e instrucciones, podría producirse una descarga eléctrica, un incendio y/o daños graves.

Guarde todas las advertencias e instrucciones para futura referencia.

El término “herramienta eléctrica” en las advertencias hace referencia a la herramienta eléctrica que funciona con la red de suministro (con cable) o a la herramienta eléctrica que funciona con pilas (sin cable).

1) Seguridad del área de trabajo

- Mantenga la zona de trabajo limpia y bien iluminada. Las zonas desordenadas u oscuras pueden provocar accidentes.
- No utilice las herramientas eléctricas en entornos explosivos como, por ejemplo, en presencia de líquidos inflamables, gases o polvo. Las herramientas eléctricas crean chispas que pueden inflamar el polvo o los humos.
- Mantenga a los niños y transeúntes alejados cuando utilice una herramienta eléctrica. Las distracciones pueden hacer que pierda el control.

2) Seguridad eléctrica

- Los enchufes de las herramientas eléctricas tienen que ser adecuados a la toma de corriente. No modifique el enchufe. No utilice enchufes adaptadores con herramientas eléctricas conectadas a tierra. Si no se modifican los enchufes y se utilizan tomas de corriente adecuadas se reducirá el riesgo de descarga eléctrica.
- Evite el contacto corporal con superficies conectadas a tierra como tuberías, radiadores y frigoríficos. Hay mayor riesgo de descarga eléctrica si su cuerpo está en contacto con el suelo.
- No exponga las herramientas eléctricas a la lluvia o a la humedad. La entrada de agua en una herramienta eléctrica aumentará el riesgo de descarga eléctrica.
- No utilice el cable incorrectamente. No utilice el cable para transportar, tirar de la herramienta eléctrica o desenchufarla. Mantenga el cable alejado del calor, del aceite, de bordes afilados o piezas móviles. Los cables dañados o enredados aumentan el riesgo de descarga eléctrica.
- Cuando utilice una herramienta eléctrica al aire libre, utilice un cable prolongador adecuado para utilizarse al aire libre. La utilización de un cable adecuado para usarse al aire libre reduce el riesgo de descarga eléctrica.
- Si no se puede evitar el uso de una herramienta eléctrica en un lugar húmedo, utilice un suministro protegido mediante un dispositivo de corriente residual (RCD). El uso de un RCD reduce el riesgo de descarga eléctrica.

3) Seguridad personal

- Esté atento, preste atención a lo que hace y utilice el sentido común cuando utilice una herramienta eléctrica.

No utilice una herramienta eléctrica cuando esté cansado o esté bajo la influencia de drogas, alcohol o medicación.

La distracción momentánea cuando utiliza herramientas eléctricas puede dar lugar a importantes daños personales.

- Utilice un equipo de protección. Utilice siempre una protección ocular.

El equipo de protección como máscara para el polvo, zapatos de seguridad antideslizantes, casco o protección para oídos utilizado para condiciones adecuadas reducirá los daños personales.

- Evite un inicio involuntario. Asegúrese de que el interruptor está en “off” antes de conectar la herramienta a una fuente de alimentación y/o batería, cogerla o transportarla.

El transporte de herramientas eléctricas con el dedo en el interruptor o el encendido de herramientas eléctricas con el interruptor encendido puede provocar accidentes.

- Retire las llaves de ajuste antes de encender la herramienta eléctrica.

Si se deja una llave en una pieza giratoria de la herramienta eléctrica podrían producirse daños personales.

- No se extralimite. Mantenga un equilibrio adecuado en todo momento.

Esto permite un mayor control de la herramienta eléctrica en situaciones inesperadas.

- Vístase adecuadamente. No lleve prendas sueltas o joyas. Mantenga el pelo, la ropa y los guantes alejados de las piezas móviles.

La ropa suelta, las joyas y el pelo largo pueden pillarse en las piezas móviles.

- Si se proporcionan dispositivos para la conexión de extracción de polvo e instalaciones de recogida, asegúrese de que están conectados y se utilizan adecuadamente.

La utilización de un sistema de recogida de polvo puede reducir los riesgos relacionados con el polvo.

4) Utilización y mantenimiento de las herramientas eléctricas

- No fuerce la herramienta eléctrica. Utilice la herramienta eléctrica correcta para su aplicación.

La herramienta eléctrica correcta trabajará mejor y de forma más segura si se utiliza a la velocidad para la que fue diseñada.

- No utilice la herramienta eléctrica si el interruptor no la enciende y apaga.

Las herramientas eléctricas que no pueden controlarse con el interruptor son peligrosas y deben repararse.

- Desconecte el enchufe de la fuente eléctrica y/o la batería de la herramienta eléctrica antes de hacer ajustes, cambiar accesorios o almacenar herramientas eléctricas.

Estas medidas de seguridad preventivas reducen el riesgo de que la herramienta eléctrica se ponga en marcha accidentalmente.

- Guarde las herramientas eléctricas que no se utilicen para que no las cojan los niños y no permita que utilicen las herramientas eléctricas personas no familiarizadas con las mismas o con estas instrucciones.

Las herramientas eléctricas son peligrosas si son utilizadas por usuarios sin formación.

- e) **Mantenimiento de las herramientas eléctricas.** Compruebe si las piezas móviles están mal alineadas o unidas, si hay alguna pieza rota u otra condición que pudiera afectar al funcionamiento de las herramientas eléctricas.
Si la herramienta eléctrica está dañada, llévela a reparar antes de utilizarla.
Se producen muchos accidentes por no realizar un mantenimiento correcto de las herramientas eléctricas.
- f) **Mantenga las herramientas de corte afiladas y limpias.**
Las herramientas de corte correctamente mantenidas con los bordes de corte afilados son más fáciles de controlar.
- g) **Utilice la herramienta eléctrica, los accesorios y las brocas de la herramienta, etc. de acuerdo con estas instrucciones, teniendo en cuenta las condiciones laborales y el trabajo que se va a realizar.**
La utilización de la herramienta eléctrica para operaciones diferentes a aquellas pretendidas podría dar lugar a una situación peligrosa.
- 5) **Revisión**
- a) **Lleve su herramienta a que la revise un experto cualificado que utilice sólo piezas de repuesto idénticas.**
Esto garantizará el mantenimiento de la seguridad de la herramienta eléctrica.

PRECAUCIÓN

Mantenga a los niños y a las personas enfermas alejadas. Cuando no se utilicen, las herramientas deben almacenarse fuera del alcance de los niños y de las personas enfermas.

ADVERTENCIAS DE SEGURIDAD DE LA CORTADORA

- a) **La protección facilitada debe fijarse bien a la herramienta eléctrica y debe colocarse de forma que se obtenga la máxima seguridad, de manera que se exponga la menor cantidad de rueda hacia el operario.** Tanto usted como los viandantes deben mantenerse lejos del plano de la rueda giratoria.
La protección ayuda a proteger al operario de fragmentos de rueda rotos y contacto accidental con la rueda.
- b) **Utilice solo ruedas de corte de diamante para la herramienta eléctrica.**
No se garantiza un funcionamiento seguro por el simple hecho de que un accesorio pueda colocarse en la herramienta eléctrica.
- c) **La velocidad nominal del accesorio debe ser al menos igual a la velocidad máxima marcada en la herramienta eléctrica.**
Los accesorios que se mueven más rápido que su velocidad nominal pueden romperse y salir desprendidos.
- d) **Las ruedas deben utilizarse solo para aplicaciones recomendadas.** Por ejemplo: no pula con el lado de la rueda de corte.
Las ruedas de corte abrasivas están diseñadas para un pulido periférico; si se aplican fuerzas laterales a estas ruedas podrían hacerse añicos.
- e) **Utilice siempre bridas de ruedas sin dañar de diámetro correcto para su rueda seleccionada.**
Las bridas de rueda adecuadas soportan la rueda, reduciendo la posibilidad de rotura de la rueda.
- f) **El diámetro externo y el grosor del accesorio deberán estar dentro del índice de capacidad de la herramienta eléctrica.**
Los accesorios de tamaño incorrecto no pueden protegerse o controlarse adecuadamente.
- g) **El tamaño de las ruedas y las bridas debe encajar correctamente en el eje de la herramienta eléctrica.**
Las ruedas y las bridas con orificios de pérgola que no coincidan con el equipo de montaje de la herramienta eléctrica se desequilibrarán, vibrarán excesivamente y podrían causar una pérdida de control.
- h) **No utilice ruedas dañadas.** Antes de cada uso, inspeccione las ruedas para ver si tienen muescas y grietas. Si se cae la herramienta eléctrica o la rueda, inspeccione si tiene daños o instale una rueda sin dañar. Tras inspeccionar e instalar la rueda, tanto usted como los viandantes deben alejarse del plano de la rueda giratoria y utilizar la herramienta eléctrica a la velocidad máxima sin carga durante un minuto.
Las ruedas dañadas normalmente se romperán durante este tiempo de prueba.
- i) **Utilice equipo de protección personal.** Dependiendo de la aplicación, utilice protección facial, gafas protectoras o gafas de seguridad. Si procede, utilice mascarara para el polvo, protectores de oído, guantes, mandil capaz de parar pequeños fragmentos abrasivos o piezas de trabajo.
La protección ocular debe ser capaz de parar los escombros generados por diversas operaciones que salen volando. La máscara para el polvo o respirador debe ser capaz de filtrar partículas generadas por su operación. Una exposición prolongada a un ruido elevado podría causar pérdida auditiva.
- j) **Mantenga a los viandantes alejados del área de trabajo.** Toda persona que entre en el área de trabajo debe utilizar equipo de protección personal.
Podrían desprenderse fragmentos de la pieza de trabajo o de una rueda rota y producir daños más allá del área inmediata de operación.
- k) **Sujete la herramienta eléctrica solo por las superficies de agarre aisladas cuando realice una operación en la que la rueda pueda entrar en contacto con el cableado oculto o su propio cable.**
El accesorio que contacte un cable "vivo" podría hacer que las piezas metálicas expuestas de la herramienta eléctrica estén "vivas" y darle una descarga al operario.
- l) **Coloque el cable alejado del accesorio giratorio.**
Si pierde el control, el cable podría cortarse o engancharse y su mano o brazo podrían meterse en la rueda giratoria.
- m) **No suelte la herramienta eléctrica hasta que la rueda se haya detenido completamente.**
La rueda giratoria podría enganchar la superficie y hacer que no pueda controlar la herramienta eléctrica.
- n) **No utilice la herramienta eléctrica mientras la lleva a su lado.**
Un contacto accidental con el accesorio giratorio podría engancharle la ropa, haciendo que el accesorio entre en contacto con su cuerpo.
- o) **Limpie los conductos de aire de la herramienta eléctrica con regularidad.**
El ventilador del motor retirará el polvo de dentro del alojamiento y la acumulación excesiva de metal en polvo podría causar riesgos eléctricos.
- p) **No utilice la herramienta eléctrica cerca de materiales inflamables.**
Las chispas podrían incendiar estos materiales.

- q) **No utilice accesorios que requieran refrigerantes líquidos.**
Si se utiliza agua u otros refrigerantes líquidos podría producirse una electrocución o una descarga.

Rebote y advertencias relacionadas

El rebote es una reacción repentina a una rueda giratoria pillada o enganchada. Esto causa una parada rápida de la rueda giratoria que, a su vez, hace que la herramienta eléctrica sin control se fuerce en la dirección opuesta del giro de la rueda en el punto de fijación.

Por ejemplo, si una rueda abrasiva se pilla o engancha con una pieza de trabajo, el borde de la rueda que entra en el punto de pillado puede ahondar en la superficie del material, haciendo que la rueda se suba o rebote. La rueda podría saltar hacia el operario o alejarse de éste, según la dirección del movimiento de la rueda en el momento del pillado. Las ruedas abrasivas también podrían romperse bajo estas condiciones.

El rebote es el resultado del uso incorrecto de la herramienta eléctrica y/o procedimientos o condiciones de funcionamiento incorrectos y puede evitarse tomando las precauciones indicadas a continuación.

- a) **Sujete la herramienta eléctrica con firmeza y coloque el cuerpo y el brazo de forma que resista a las fuerzas de retroceso. Utilice siempre un mango auxiliar, si se proporciona, para un control máximo del rebote o de la reacción del par durante el arranque.**

El operario puede controlar las reacciones del par o las fuerzas de rebote, si se toman las precauciones adecuadas.

- b) **No ponga la mano cerca del accesorio giratorio.**

El accesorio podría rebotar sobre su mano.

- c) **No coloque el cuerpo alineado y detrás de la rueda giratoria.**

El rebote impulsará la herramienta en dirección opuesta al movimiento de la rueda en el punto de enganche.

- d) **Tenga especial cuidado cuando trabajo esquinas, bordes afilados, etc. Evite rebotar y enganchar el accesorio.**

Las esquinas, los bordes afilados o los rebotes tienden a enganchar el accesorio giratorio y causar la pérdida de control o rebote.

- e) **No coloque una cadena de sierra, una cuchilla de tallado en madera, una rueda de diamante segmentada con un espacio perimétrico superior a 10 mm o una cuchilla de sierra dentada.**

Estas cuchillas crean frecuentes rebotes y pérdida de control.

- f) **No "atasque" la rueda o aplique una presión excesiva. No intente realizar un corte demasiado profundo.**

Si se tensa la rueda excesivamente aumenta la carga y susceptibilidad a la torcedura o al impedimento de la rueda en el corte y la posibilidad de rebote o rotura de la rueda.

- g) **Cuando la rueda se atasca o cuando se interrumpe un corte por algún motivo, apague la herramienta eléctrica y mantenga la herramienta eléctrica quieta hasta que la rueda se pare completamente. No intente retirar la rueda del corte cuando la rueda esté en movimiento, ya que podría producirse un rebote.**

Investigue y tome medidas correctoras para eliminar la causa del atascado de la rueda.

- h) **No reinicie la operación de corte en la pieza de trabajo. Deje que la rueda alcance toda la velocidad y meta de nuevo el corte con cuidado.**

La rueda puede atascarse, acercarse o rebotar si la herramienta eléctrica se reinicia en la pieza de trabajo.

- i) **Sujete los paneles o las piezas de trabajo demasiado grandes para minimizar el riesgo de que la rueda se pille o rebote.**

Las piezas de trabajo grandes tienden a combarse con su propio peso. Los soportes deben colocarse debajo de la pieza de trabajo cerca de la línea de corte y cerca del borde de la pieza de trabajo a ambos lados de la rueda.

- j) **Tenga especial cuidado cuando realice un "corte de cavidad" en paredes existentes u otras áreas ciegas.**

La rueda sobresaliente puede cortar tuberías de gas o agua, cableados eléctricos u objetos que pueden causar rebotes.

PRECAUCIONES AL UTILIZAR LA CORTADORA

1. No colocar ninguna otra herramienta excepto la muela adiamantada, especificada por el fabricante. No operar el tronzador mientras se le aplica agua.
2. Comprobar siempre la muela adiamantada antes de poner en funcionamiento la máquina. Si estuviese agrietada, rota o doblada, no utilizarla. Poner en funcionamiento cuidadosamente la máquina para comprobar si existen otras anomalías.
3. El utilizar la muela adiamantada para cortar metales disminuirá su duración o podría resultar roturas. No utilizar nunca la muela adiamantada para cortar metales.
4. Comenzar a trabajar solamente cuando se alcance la velocidad de rotación máxima.
5. Una fuerza excesiva causa sobrecarga en el motor y reduce la eficiencia de trabajo y la duración. Cortar siempre el hormigón, baldosa o piedra con una profundidad de corte de 50mm o menos. Si la profundidad de corte fuese superior a 50mm, cortar la pieza en 2 ó 3 veces. Si la pieza a cortar se cortase con una profundidad de corte de más de 50mm, la duración de la muela adiamantada se reducirá y el motor podría agarrarse.
6. No utilice esta máquina para cortar amianto (asbesto).
7. En operaciones utilizando una muela de corte, si aparecen llamas, cubra el adaptador para recolección de polvo con una tapa de caucho y cerciórese de colocar gafas protectoras.

ESPECIFICACIONES

Modelo	CM9SR	CM9UBY
Voltaje (por áreas)*1	(110 V, 230 V) ~	
Acometida*1	2000 W	2600 W
Velocidad sin carga	6600 min ⁻¹	
Dimensiones de la muela adiamantada	Diámetro exterior Grosor Diámetro del orificio	230 mm 2,5 mm 22,23 mm
Máxima profundidad de corte	60 mm	
Peso (sin cable ni muela adiamantada)	7,7 kg	8,1 kg
Limitación de la corriente de arranque*2	No	Si

*1 Verificar indefectiblemente los datos de la placa de características de la máquina pues varían de acuerdo al país de destino.

*2 Mediante la limitación de al corriente de arranque la corriente de conexión se reduce hasta tal punto que los fusibles (16 A, lentos) no llegan a actuar.

ACCESORIOS ESTANDAR

- (1) Llave 1
 (2) Adaptador 1
 Los accesorios estándar están sujetos a cambio sin previo aviso.

APLICACIONES

- Para cortar o marcar hormigón
- Para cortar o marcar baldosa
- Para cortar o marcar piedra
- Para cortar o marcar tejas

ANTES DE LA PUESTA EN MARCHA

1. Alimentación

Asegurarse de que la alimentación de red que ha de ser utilizada responda a las exigencias de corriente especificadas en la placa de características del producto.

2. Interruptor de alimentación

Asegurarse de que el interruptor de alimentación esté en la posición OFF (desconectado). Si el enchufe está conectado en el receptáculo mientras el interruptor de alimentación está en posición ON (conectado) las herramientas eléctricas empezarán a funcionar inesperadamente, provocando un serio accidente.

3. Cable de prolongación

Cuando el área de trabajo está alejada de la red de acometida, usar un cable de prolongación suficiente grueso y potente. El cable de prolongación debe ser mantenido lo más corto posible.

4. Comprobación e instalación de la muela adiamantada

Comprobar que la muela adiamantada sea la especificada y que no esté agrietada, rota o doblada. Comprobar que la muela adiamantada esté firmemente instalada. Para efectuar la instalación, referirse a "Instalación/desmontaje de la muela adiamantada".

5. Montar y ajustar la cubierta de recogida de polvo (Fig. 1, Fig. 2)

La cubierta de recogida de polvo es un dispositivo protector para evitar heridas, en caso de que la muela adiamantada se quiebre durante la operación.

Asegurarse de que la cubierta protectora está bien montada y apretada antes de comenzar con la operación de corte.

[Instalación y ajuste de la cubierta de recogida de polvo]

- Abra la palanca e inserte el pasador de posicionamiento de la cubierta de recogida de polvo, alineándolo con la distancia entre caras del presaestopas.
- Luego, gire el protector de la rueda hasta la posición deseada (de uso).
- Cierre la palanca y fijela. De requerirse, realice el ajuste apretando o aflojando el tornillo.
- Si la palanca no se mueve con suavidad, aplique una ligera capa de aceite lubricante en la sección deslizante entre la pieza de ajuste y la palanca.
- Sujete la cubierta de recogida de polvo en una posición que permita que las entre caras del pasador de posicionamiento de la cubierta de recogida de polvo y del presaestopas se encuentren alineados (la posición en que se inserta la cubierta de recogida de polvo), pero no la utilice.

6. Confirmar el mecanismo de bloqueo del eje

Confirmar que el mecanismo del bloqueo del eje esté desconectado, apretando el botón pulsador de cierre dos o tres veces, antes de conectar el aparato eléctrico (véase en la Fig. 1).

7. Ajuste de la profundidad de corte (Fig. 3)

Al bajar la tuerca de mariposa se aflojará y al elevarla se apretará.

Al aflojar la tuerca de mariposa y mover la base se permitirá ajustar la profundidad de corte.

ADVERTENCIA

Si se deja la tuerca de mariposa aflojada podrían producirse daños. Apriete con firmeza la tuerca de mariposa tras ajustar la profundidad de corte.

INSTALACION DE LA MANGUERA DE RECOGIDA DE POLVO

Cuando se trabaje un material que produzca polvo al cortarlo, utilizar la manguera de recogida de polvo de la forma siguiente:

- (1) Extraiga la tapa de caucho e instale el adaptador accesorio. (Fig. 4)
- (2) Instale la manguera del colector de polvo para la herramienta eléctrica en el adaptador accesorio. (Fig. 4)

PRECAUCION

Cuando no vaya a utilizar la manguera de recolección de polvo, instálele siempre el tapón de caucho en el adaptador de recolección de polvo.

INSTALACION/DESMONTAJE DE LA MUELA ADIAMANTADA

1. Instalación

- (1) Afloje el perno y retire la cubierta (B)
- (2) Limpiar el polvo de corte del husillo y arandela.
- (3) Cerciórese de que el sentido de giro de la rueda adiamantada coincide con el indicado en la caja de engranaje e instale la unidad como se muestra en la Fig. 1.
- (4) Presione el pasador de cierre y asegure el husillo. Apriete adecuadamente la tuerca roscada con la llave proporcionada. (Fig. 1)

NOTA

Para asegurar la tuerca roscada, utilizar siempre la llave proporcionada.

2. Desmontaje

Quitar la tuerca roscada con la llave proporcionada y la muela adiamantada. (Fig. 1)

CORTE

1. Procedimientos de corte (Fig. 5)

- (1) Coloque esta herramienta sobre el material a cortar y alinee la línea de corte y la muela adiamantada. El corte podrá realizarse mejor si corta en forma recta sobre la línea de corte en el corte inicial.
- (2) Conecte la alimentación de la unidad cuando la muela no esté tocando el material que desee cortar.

2. Operación del conmutador

Puesta en funcionamiento:

Presione el botón de seguridad hacia adelante y después presione la palanca del interruptor.

* Para una utilización continua, presione la palanca del interruptor. Esta palanca quedará trabada al volver a presionar el botón de seguridad hacia adelante.

(*Sujeto a cambios dependiendo de la zona.)

Parada: Presione y suelte la palanca del interruptor.

3. Precauciones inmediatamente después de haber acabado la operación

Después de desconectar la máquina no posarla antes de que la muela de alisado se haya parado completamente. Aparte de evitar serios accidentes, esta precaución reduciría la cantidad de polvo y limaduras absorbidos por la máquina.

PRECAUCION

- Comprobar siempre la muela adiamantada antes de iniciar el trabajo. No utilizar nunca la muela adiamantada que esté agrietada, rota o doblada.
- No aplicar agua ni refrigerante a la muela adiamantada.
- Empezar a cortar solamente cuando la muela adiamantada alcance la máxima velocidad.
- Si la muela adiamantada se agarrotase, o si se produjesen ruidos anormales, apagar inmediatamente la máquina.

- No utilizar nunca la muela adiamantada para cortar en zig-zag o en línea o curva. No utilizar tampoco la superficie lateral de la muela adiamantada ni cortar estando la muela inclinada.
- Si aplica fuerza excesiva a la rueda adiamantada para alinearla con la línea de corte durante el corte, no solamente podría sobrecargar el motor y producir quemaduras, sino que la muela adiamantada podría recalentarse y su duración útil podría acortarse.
- Fije la pieza de trabajo. Las piezas de trabajo se sujetan de forma más segura con dispositivos de sujeción o en un torno que con la mano.
- Tener cuidado de que el cable de la alimentación no entre en contacto con la muela adiamantada durante el funcionamiento.
- Al terminar de trabajar, apagar la herramienta y desconectar el cable de la alimentación.

MANTENIMIENTO E INSPECCION

1. Inspección de la muela adiamantada

Una muela adiamantada desgastada hace que el motor sufra sobrecargas y reduce la eficiencia del trabajo. Cuando la muela está desgastada, cambiarla por otra nueva.

2. Atascamiento de la rueda de diamante

El régimen de desgaste del borde de corte de la capa de diamante variará de acuerdo con el tipo de material citado, la velocidad de corte, etc. En general, los materiales que producen partículas de corte granulares pueden raspar el adhesivo y acelerar el desgaste de la capa de diamante. Por otra parte, los materiales que producen partículas de corte polvorientos pueden atascar la capa de diamante, lo que reducirá la eficacia del corte. Cuando se produzca el atascamiento, la fuerza adicional aplicada para aumentar la velocidad de corte, suele provocar la aparición de chispas alrededor de la circunferencia de la rueda de diamante. En tal caso, deje de utilizar la herramienta e inspeccione cuidadosamente el borde de corte con los dedos. Si la capa de diamante está lisa (sin sensación rugosidad o abrasión), estará atascada con polvo y deberá limpiarse.

Para limpiarla a fondo, el corte aproximadamente 5 metros de materiales relativamente blandos que produzcan partículas de corte granulares (como bloques de cemento o ladrillos) a una velocidad ligeramente acelerada y con una profundidad de 10mm, restablecerá la efectividad de corte de la capa de diamante y prolongará la duración útil de la misma.

El diamante es sensible a las altas temperaturas; se deteriorará aproximadamente a 600°C, y a temperaturas superiores se descompondrá el material del diamante. Por consiguiente es muy importante limpiar la rueda tan pronto como se atasque o produzca chispas.

3. Inspeccionar los tornillos de montaje

Regularmente inspeccionar todos los tornillos de montaje y asegurarse de que estén apretados firmemente. Si cualquier tornillo estuviese suelto, volver a apretarlos inmediatamente. El no hacer esto provocaría un riesgo serio.

4. Mantenimiento de motor

La unidad de bobinado del motor es el verdadero "corazón" de las herramientas eléctricas.

Prestar el mayor cuidado y asegurarse de que el bobinado no se dañe y/o se humedezca con aceite o agua.

5. Inspeccionar los carbones de contacto (Fig. 6)

El motor emplea escobillas de carbón que son partes consumibles.

Cuando se gastan o están cerca del "límite de desgaste" pueden causar problemas al motor. Al equiparse la escobilla de carbón de parada automática, el motor se detendrá automáticamente en ese momento hay que proceder a cambiar ambas escobillas de carbón por la nuevas, que tengan los mismos números de escobillas de carbón como se muestra en la figura. Además siempre hay que mantener las escobillas de carbón limpias y asegurarse de que se muevan libremente en sus porta-escobillas.

6. Reemplazar el carbón de contacto

CM9UBY (Fig. 7)

<Desmontaje>

- (1) Afloje el tornillo autorroscante D4 que retiene a la cubierta de la escobilla y retire esta cubierta.
- (2) Emplee la llave macho hexagonal auxiliar o un pequeño destornillador para tirar del borde del resorte helicoidal que empuja hacia abajo el carbón de contacto. Extraiga el borde del resorte hacia afuera el soporte del carbón de contacto.
- (3) Extraiga la sección del soporte carbón de contacto en la sección del terminal del soporte del carbón de contacto y después extraiga el carbón de contacto de su soporte.

<Montaje>

- (1) Inserte el extremo del conductor helicoidal del carbón de contacto en la sección del terminal del soporte del carbón de contacto.
- (2) Inserte el carbón de contacto en el soporte del mismo.
- (3) Emplee la llave macho hexagonal auxiliar o un pequeño destornillador para devolver el borde del resorte helicoidal hasta la cabeza del carbón de contacto.
- (4) Instale la cubierta del cepillo y apriete el tornillo autorroscante D4.

CM9SR

Quitar la cápsula de carbón con un destornillador con cabeza pequeña. El carbón de contacto se deja y luego se quita con facilidad.

7. Lista de repuestos

PRECAUCIÓN:

La reparación, modificación e inspección de las herramientas eléctricas HiKOKI deben ser realizadas por un Centro de Servicio Autorizado de HiKOKI. Esta lista de repuestos será de utilidad si es presentada junto con la herramienta al Centro de Servicio Autorizado de HiKOKI, para solicitar la reparación o cualquier otro tipo de mantenimiento. En el manejo y el mantenimiento de las herramientas eléctricas, se deberán observar las normas y reglamentos vigentes en cada país.

MODIFICACIONES:

HiKOKI Power Tools introduce constantemente mejoras y modificaciones para incorporar los últimos avances tecnológicos.

Por consiguiente, algunas partes pueden ser modificadas sin previo aviso.

GARANTÍA

Las herramientas motorizadas de HiKOKI incluye una garantía conforme al reglamento específico legal/nacional. Esta garantía no cubre los defectos o daños debidos al uso incorrecto, el abuso o el desgaste normal. En caso de reclamación, envíe la herramienta motorizada, sin desmontar y con el CERTIFICADO DE GARANTÍA que aparece al final de estas instrucciones de uso, al Centro de Servicio Autorizado de HiKOKI.

NOTA

Debido al programa continuo de investigación y desarrollo de HiKOKI estas especificaciones están sujetas a cambio sin previo aviso.

Información sobre el ruido propagado por el aire y vibración

Los valores medidos se determinaron de acuerdo con EN60745 declararon de conformidad con ISO 4871.

Nivel de potencia auditiva ponderada A: 111 dB (A)

Nivel de presión auditiva ponderada A: 100 dB (A)

Duda KpA: 3 dB (A)

Utilice protecciones auriculares.

Valores totales de la vibración (suma de vectores triax.) determinados de acuerdo con EN60745.

CM9SR

Valor de emisión de la vibración $a_h = 5,0 \text{ m/s}^2$

Incertidumbre K = 1,5 m/s^2

CM9UBY

Valor de emisión de la vibración $a_h = 2,9 \text{ m/s}^2$

Incertidumbre K = 1,5 m/s^2

El valor total de vibración declarado ha sido medido de acuerdo con un método de prueba estándar y permite comparar unas herramientas con otras.

También resulta útil para llevar a cabo evaluaciones preliminares de exposición.

ADVERTENCIA

- La emisión de vibración durante la utilización de la herramienta eléctrica puede ser diferente del valor total declarado dependiendo de las formas de utilización de la herramienta.
- Identifique las medidas seguras para proteger al operario basadas en una estimación de exposición en las condiciones reales de uso (teniendo en cuenta todas las partes del ciclo de funcionamiento como tiempos cuando la herramienta está apagada y cuando funciona lentamente además del tiempo de activación).

● **Información acerca del sistema de la fuente de alimentación con una tensión nominal de 230V~ (Sólo para CM9SR)**

Bajo condiciones transitorias de tensión, esta herramienta eléctrica puede producir *caídas transitorias de tensión o fluctuaciones perturbadoras de tensión*.

Esta herramienta eléctrica tiene por objeto conectarse a una fuente de alimentación con una impedancia de sistema máxima permisible Z_{MAX} de 0,28 Ohm en el punto interfacial (caja de servicio de alimentación) del suministro de energía del usuario.

El usuario debe cerciorarse de que esta herramienta eléctrica sea conectada únicamente a un sistema de suministro de energía que cumpla con el requerimiento de arriba.

Si es necesario, el usuario puede preguntar a la empresa de suministro de alimentación cuál es la impedancia del sistema en el punto interfacial.

AVISOS GERAIS DE SEGURANÇA PARA A FERRAMENTA ELÉCTRICA

⚠ AVISO

Leia todas as instruções e avisos de segurança

Se não seguir todas as instruções e os avisos, pode provocar um choque eléctrico, incêndio e/ou ferimentos graves.

Guarde todos os avisos e instruções para referência futura. O termo “ferramenta eléctrica” em todos os avisos refere-se à sua ferramenta ligada à corrente (com fios) ou à ferramenta eléctrica a baterias (sem fios).

1) Segurança da área de trabalho

- a) Mantenha a área de trabalho limpa e bem iluminada.

As áreas escuras ou cheias de material são propícias aos acidentes.

- b) Não trabalhe com ferramentas eléctricas em ambientes explosivos, tais como na presença de líquidos inflamáveis, gases ou pó.

As ferramentas eléctricas criam faíscas que podem inflamar o pó dos fumos.

- c) Mantenha as crianças e outras pessoas afastadas quando trabalhar com uma ferramenta eléctrica. As distrações podem fazer com que perca controlo.

2) Segurança eléctrica

- a) As fichas da ferramenta eléctrica devem corresponder às tomadas.

Nunca modifique a ficha.

Não utilize fichas adaptadoras com ferramentas eléctricas ligadas à terra.

As fichas não modificadas e tomadas correspondentes reduzirão o risco de choques eléctricos.

- b) Evite contacto corporal com superfícies ligadas à terra, tais como tubos, radiadores, máquinas e frigoríficos.

Existe um risco acrescido de choque eléctrico se o seu corpo estiver ligado à terra.

- c) Não exponha ferramentas eléctricas à chuva ou condições de humidade.

A entrada de água numa ferramenta eléctrica aumentará o risco de choques eléctricos.

- d) Não abuse do fio. Nunca utilize o fio para transportar, puxar ou desligar a ferramenta eléctrica.

Mantenha o fio afastado do calor, óleo, margens afiadas ou peças em movimento.

Os fios danificados ou entrelaçados podem aumentar o risco de choques eléctricos.

- e) Quando trabalhar com uma ferramenta eléctrica no exterior, utilize uma extensão adequada para utilização exterior.

A utilização de um fio adequado para utilização no exterior reduz o risco de choques eléctricos.

- f) Se não for possível evitar a utilização de uma máquina eléctrica num local húmido, utilize uma fonte de alimentação protegida por um dispositivo de corrente residual (RCD).

A utilização de um RCD reduz o risco de choque eléctrico.

3) Segurança pessoal

- a) Mantenha-se alerta, esteja atento ao que está a fazer e utilize senso comum quando trabalhar com uma ferramenta eléctrica.

Não utilize uma ferramenta eléctrica quando estiver cansado ou sob a influência de drogas, álcool ou medicamentos.

Um momento de desatenção enquanto trabalha com ferramentas eléctricas pode resultar em ferimentos pessoais graves.

- b) Utilize equipamento de protecção pessoal. Utilize sempre protecção para os olhos.

O equipamento de protecção, tal como uma máscara de pó, sapatos de segurança antiderrapantes, chapéu rígido ou protecção auricular utilizados para condições adequadas reduzirá os ferimentos pessoais.

- c) Evite ligar por acidente. Certifique-se de que o interruptor está na posição de desligado antes de ligar a fonte de alimentação e/ou bateria, levantar ou transportar a ferramenta.

Transportar ferramentas eléctricas com o dedo no interruptor ou activar ferramentas que estão com o interruptor ligado é propício a acidentes.

- d) Remova qualquer chave de parafusos ou chave-inglesa de regulação antes de ligar a ferramenta.

Uma chave-inglesa ou de parafusos ligada à parte rotativa da ferramenta pode provocar ferimentos pessoais.

- e) Não se estique. Mantenha sempre o controlo e equilíbrio adequados.

Isto permite obter um melhor controlo da ferramenta em situações inesperadas.

- f) Use vestuário adequado. Não use roupas largas ou jóias. Mantenha o cabelo, roupas e luvas afastados das peças móveis.

As roupas largas, jóias ou cabelo comprido podem ser apanhados em peças móveis.

- g) Se forem fornecidos dispositivos para a ligação de extractores de pó e dispositivos de recolha, certifique-se de que estes estão ligados e são utilizados adequadamente.

A utilização de uma recolha de pó pode reduzir os perigos relacionados com o pó.

4) Utilização da ferramenta e manutenção

- a) Não force a ferramenta eléctrica. Utilize a ferramenta correcta para a sua aplicação.

A ferramenta correcta fará o trabalho melhor e com mais segurança à velocidade para a qual foi concebida.

- b) Não utilize a ferramenta eléctrica se o interruptor não a ligar ou desligar.

Qualquer ferramenta que não possa ser controlada com o interruptor é perigosa e deve ser reparada.

- c) Desligue a ficha da rede antes e/ou a bateria da ferramenta eléctrica antes de efectuar quaisquer regulações, mudar os acessórios ou guardar ferramentas eléctricas.

Tais medidas de segurança de prevenção reduzem o risco de ligar a ferramenta eléctrica acidentalmente.

- d) Guarde as ferramentas eléctricas fora do alcance de crianças e não permita que pessoas não habituadas à ferramenta eléctrica ou estas instruções trabalhem com a ferramenta.

As ferramentas eléctricas são perigosas nas mãos de utilizadores inexperientes.

- e) Efectue a manutenção de ferramentas eléctricas. Verifique a existência de desalinhamentos ou dobragens das peças móveis, quebras de peças e quaisquer outras condições que possam afectar o funcionamento das ferramentas eléctricas.

Se danificada, mande reparar a ferramenta antes de utilizar.

Muitos acidentes são causados por ferramentas com má manutenção.

- f) **Mantenha as ferramentas de corte afiadas e limpas.**
As ferramentas de corte com uma manutenção adequada e extremidades afiadas são menos propensas a dobrar e mais fáceis de controlar.
- g) **Utilize a ferramenta eléctrica, acessórios e pontas de ferramentas, etc., de acordo com estas instruções, tomando em consideração as condições de trabalho e o trabalho a ser efectuado.**
A utilização de uma ferramenta eléctrica para operações diferentes das concebidas pode resultar num mau funcionamento.
- 5) **Manutenção**
- a) **Faça a manutenção da sua ferramenta eléctrica por um pessoal de reparação qualificado e utilize apenas peças de substituição idênticas.**
Isto garantirá que a segurança da ferramenta eléctrica é mantida.

AVISO

Mantenha afastadas das crianças e pessoas doentes. Quando não estiverem a ser utilizadas, as ferramentas devem ser guardadas fora do alcance de crianças e pessoas doentes.

AVISOS DE SEGURANÇA DA MÁQUINA DE CORTE

- a) **O resguardo fornecido com a ferramenta tem de estar bem fixo à ferramenta eléctrica e posicionado para segurança máxima, para que apenas fique exposto para o operador o mínimo possível do disco. Posicione-se afastado do plano do disco rotativo.**
O resguardo ajuda a proteger o operador contra fragmentos do disco e contra o contacto accidental com o disco.
- b) **Utilize apenas discos de corte de diamante para a ferramenta eléctrica.**
A possibilidade de instalar um acessório na ferramenta eléctrica não significa um funcionamento seguro.
- c) **A velocidade nominal do acessório tem de ser igual à velocidade máxima assinalada na ferramenta eléctrica.**
Os acessórios com uma velocidade superior à velocidade nominal podem quebrar-se e ser projectados.
- d) **Os discos só podem ser utilizados para aplicações recomendadas. Por exemplo: não rectifique com a parte lateral do disco de corte.**
Os discos de corte abrasivos destinam-se à rectificação periférica, as forças laterais aplicadas a estes discos podem fazer com que partam.
- e) **Use sempre flanges de discos não danificadas com o diâmetro correcto para o disco seleccionado.**
As flanges de discos adequadas suportam o disco, reduzindo assim a possibilidade de quebra do mesmo.
- f) **O diâmetro exterior e a espessura do acessório têm de estar em conformidade com a classificação de capacidade da ferramenta eléctrica.**
Os acessórios de tamanho incorrecto não podem ser protegidos ou controlados de forma adequada.
- g) **O tamanho do eixo dos discos e flanges têm de encaixar correctamente no veio da ferramenta eléctrica.**
Os discos e flanges com orifícios de eixo que não correspondem ao hardware de montagem da ferramenta eléctrica irão ficar desequilibrados, vibrar excessivamente e podem causar perda de controlo.
- h) **Não utilize discos danificados. Antes de cada utilização, inspecione os discos por lascas ou fissuras. Se a ferramenta eléctrica ou o disco cair, inspecione por danos ou instale um disco não danificado. Após inspecionar e instalar o disco, posicione-se afastado do plano do disco rotativo e ligue a ferramenta eléctrica à velocidade máxima sem carga durante um minuto.**
Normalmente, os discos danificados irão quebrar durante este tempo de teste.
- i) **Use equipamento de protecção pessoal. Dependendo da aplicação, use uma protecção facial ou óculos de segurança. Conforme adequado, use uma máscara anti-pó, protectores auriculares, luvas e avental capaz de parar pequenos fragmentos abrasivos ou da peça de trabalho.**
A protecção ocular tem de conseguir parar os detritos projectados gerados pelas várias operações. A máscara anti-pó tem de conseguir filtrar as partículas geradas pela operação. A exposição prolongada a ruído intenso pode causar perda de audição.
- j) **Mantenha as pessoas a uma distância segura da área de trabalho. Qualquer pessoa que entre na área de trabalho tem de usar equipamento de protecção pessoal.**
Os fragmentos da peça de trabalho ou de um disco quebrado podem ser projectados e causar ferimentos para além da área imediata de operação.
- k) **Segure a ferramenta eléctrica apenas pelas superfícies isoladas, ao efectuar uma operação em que o acessório de corte possa entrar em contacto com cablagem oculta ou o seu próprio cabo.**
O acessório de corte ao entrar em contacto com um fio eléctrico pode proporcionar corrente às peças metálicas expostas da ferramenta eléctrica e provocar um choque eléctrico no operador.
- l) **Posicione o cabo afastado do acessório de corte.**
Se perder o controlo, o cabo pode ser cortado ou ficar preso e a sua mão pode ser puxada para o disco rotativo.
- m) **Nunca pause a ferramenta eléctrica enquanto o acessório ainda estiver a rodar.**
O disco rotativo pode atingir a superfície e fazê-lo perder o controlo da ferramenta.
- n) **Não ligue a ferramenta eléctrica enquanto a transporta junto ao corpo.**
O contacto accidental com o acessório rotativo pode prender a roupa, puxando o acessório na direcção do corpo.
- o) **Limpe regularmente as ventilações de ar da ferramenta eléctrica.**
A ventoinha do motor irá atrair o pó no interior do alojamento e a acumulação excessiva de metal em pó pode causar riscos eléctricos.
- p) **Não utilize a ferramenta eléctrica perto de materiais inflamáveis.**
As faíscas podem incendiar estes materiais.
- q) **Não utilize acessórios que exijam refrigerantes líquidos.**
Utilizar água ou outros refrigerantes líquidos pode resultar em electrocução ou choques.

Recuo e avisos relacionados

O recuo é uma reacção súbita a um disco rotativo sob pressão ou preso. Pressionar ou prender causa a imobilização rápida do disco rotativo que, por sua vez,

faz com que a ferramenta eléctrica descontrolada seja forçada na direcção oposta da rotação do disco aquando do aperto.

Por exemplo, se um disco abrasivo for preso ou pressionado pela peça de trabalho, a extremidade do disco que entra no ponto de construção pode entrar na superfície do material fazendo com que o disco saia ou recue. O disco pode saltar na direcção do operador ou na direcção contrária, dependendo da direcção de movimento do disco aquando da pressão. Os discos abrasivos podem também quebrar sob estas condições.

O recuo é o resultado da utilização incorrecta e/ou procedimentos e condições de funcionamento incorrectos da ferramenta eléctrica e pode ser evitado ao tomar precauções adequadas, conforme indicado abaixo.

a) Mantenha uma posição firme na ferramenta eléctrica e posicione o seu corpo e braço para permitir resistir às forças de recuo. Use sempre a pega auxiliar, se necessário, para um controlo máximo sobre o recuo ou reacção ao binário durante o arranque.

O operador pode controlar as reacções ao binário ou as forças de recuo, se tomar as precauções adequadas.

b) Nunca coloque a sua mão perto do acessório rotativo.

O acessório pode recuar sobre a sua mão.

c) Não posicione o seu corpo alinhado com o disco rotativo.

O recuo irá impulsionar a ferramenta na direcção oposta ao movimento do disco aquando da pressão.

d) Tenha especial cuidado ao trabalhar em cantos, extremidades pontiagudas, etc. Evite ressaltar e prender o acessório.

Os cantos, extremidades pontiagudas ou ressaltos têm uma tendência de prender o acessório rotativo e causar perda de controlo ou recuos.

e) Não instale uma corrente de serra, lâmina de entalhe, disco de diamante segmentado com uma folga periférica superior a 10 mm ou lâmina de serra denteada.

Essas lâminas criam recuos frequentes e perda de controlo.

f) Não “encrave” o disco nem aplique pressão excessiva. Não tente efectuar uma profundidade excessiva de corte.

Demasiado esforço no disco aumenta a carga e a susceptibilidade a torção ou aperto do disco no corte e a possibilidade de recuos ou quebra do disco.

g) Quando o disco é apertado ou ao interromper um corte por qualquer razão, desligue a ferramenta eléctrica e segure a ferramenta imóvel até o disco parar por completo. Nunca tente remover o disco do corte enquanto está em movimento, caso contrário, podem ocorrer recuos.

Investigue e tome acções correctivas para eliminar a causa do aperto do disco.

h) Não reinicie a operação de corte na peça de trabalho. Permita que o disco atinja a velocidade máxima e volte a introduzir cuidadosamente no corte.

O disco pode prender, subir ou recuar se a ferramenta eléctrica for reiniciada na peça de trabalho.

i) Fixe os painéis ou quaisquer peças de trabalho com dimensões excessivas para minimizar o risco de aperto ou recuo do disco.

As peças de trabalho grandes tendem a ceder sob o seu próprio peso. Os suportes têm de ser colocados sob a peça de trabalho perto da linha de corte e perto da extremidade da peça de trabalho em ambos os lados do disco.

j) Tenha cuidado extra ao efectuar um “corte de bolso” nas paredes existentes ou outras áreas invisíveis.

O disco saliente pode cortar tubos de gás ou de água, cablagem eléctrica ou objectos que podem causar recuos.

PRECAUÇÕES SOBRE A UTILIZAÇÃO DA CORTADORA

1. Nunca coloque qualquer ferramenta, excepto a roda de diamante especificada pelo fabricante. Não utilize a cortadora enquanto aplicar água.
2. Verifique sempre a roda de diamante antes de iniciar a máquina. Se estiver rachada, quebrada ou dobrada, não a utilize. Ligue a máquina com cuidado, para verificar a existência de outras anormalidades.
3. Utilizar a roda de diamante para cortar metal reduzirá a respectiva vida útil, o que resultará numa avaria. Nunca utilize a roda de diamante para cortar metal.
4. Apenas comece a trabalhar quando for atingida a máxima velocidade de rotação.
5. A força excessiva sobrecarrega o motor e reduz a eficiência de trabalho e a vida útil. Corte sempre o cimento, tijoleira ou pedra com uma profundidade de corte de 50 mm ou menos. Se a profundidade de corte for superior a 50 mm, corte a peça de trabalho 2 ou 3 vezes. Se a peça de trabalho for cortada a uma profundidade de corte superior a 50 mm, a vida útil da roda de diamante será reduzida e o motor poderá parar.
6. Não utilize a máquina para cortar asbestos.
7. Quando utilizar uma roda de corte, se saírem chamas, cubra o adaptador de recolha de pó com uma tampa de borracha e use óculos de protecção.

ESPECIFICAÇÕES

Modelo	CM9SR	CM9UBY
Voltagem (por áreas)*1	(110 V, 230 V) ~	
Entrada de corrente*1	2000 W	2600 W
Rotação sem carga	6600 min ⁻¹	
Dimensões da roda de diamante	Dia. exterior 230 mm Espessura 2,5 mm Dia. furo 22,23 mm	
Profundidade de corte máxima	60 mm	
Peso (sem cabo de alimentação e roda de diamante)	7,7 kg	8,1 kg
Limitador de corrente de arranque*2	Não	Sim

*1 Não deixe de verificar a voltagem na placa identificadora constante do produto, pois ela está sujeita a mudanças conforme a área.

*2 O limitador de corrente de arranque gera a corrente de arranque de intensidade tal para que o fusível (16A, de queima lenta) não se desligue repentinamente.

ACESSÓRIOS-PADRÃO

- (1) Chave inglesa 1
 (2) Óculos de protecção 1
 Os acessórios-padrão estão sujeitos a mudanças sem aviso prévio.

APLICAÇÕES

- Cortar ou raspar cimento
- Cortar ou raspar tijoleira
- Cortar ou raspar pedra
- Cortar ou raspar telhas

ANTES DA OPERAÇÃO

1. Fonte de energia

Certifique-se de que a fonte de energia a ser utilizada está conforme às exigências especificadas na placa identificadora do produto.

2. Interruptor

Certifique-se de que o interruptor está na posição desligada. Se o plugue estiver conectado a um receptáculo quando o interruptor estiver ligado, a ferramenta elétrica vai começar a operar imediatamente, podendo provocar um grave acidente.

3. Cabo de extensão

Quando o local de trabalho não possuir uma fonte de energia, utilize um cabo de extensão de espessura e de potência nominal suficientes. A extensão deve ser mantida tão curta quanto possível.

4. Verificar e instalar a roa de diamante

Verifique se a roda de diamante é do tipo especificado e se não está rachada, quebrada ou dobrada. Verifique se a roda de diamante está bem fixa. Para obter informações sobre a instalação, consulte "Instalar/remover a roda de diamante".

5. Colocação e ajuste da tampa de recolha de pó (Fig. 1, Fig. 2)

A tampa de recolha de pó é um dispositivo para evitar ferimentos caso a roda de diamante quebre durante a operação. Certifique-se de que a tampa está colocada e presa corretamente antes de começar a cortar.

[Instalação e regulação da tampa de recolha de pó]

- Abra a alavanca e insira o pino de localização da tampa de recolha de pó, fazendo com que ele fique alinhado com a superfície transversal da placa da base.
 - Gire, então, a protecção de roda até a posição desejada (para o uso).
 - Feche a alavanca e prenda-a. Se, ou quando, necessário, faça ajustes apertando ou afrouxando o parafuso.
 - Caso a alavanca não se movimente com facilidade, passe um óleo lubrificante na seção deslizante entre a peça de ajuste e a alavanca.
 - Prenda a tampa de recolha de pó de tal maneira que a superfície transversal dos pinos de localização da tampa de recolha de pó e a placa de base fiquem alinhadas (posição na qual a tampa de recolha de pó está inserida), mas não a utilize.
- 6. Verificação do mecanismo do bloqueio do eixo**
 Verifique se o bloqueio do eixo está desengatado apertando duas ou três vezes o botão de pressão antes de ligar a ferramenta elétrica. (Ver Fig. 1).
- 7. Ajuste da profundidade de corte (Fig. 3)**
 Baixar a porca de orelhas soltará, subi-la apertará. Soltar a porca de orelhas e mover a base permitirá ajustar a profundidade de corte.

ATENÇÃO

Deixar a porca de orelhas solta poderá resultar em ferimentos. Aperte bem a porca de orelhas após ajustar a profundidade de corte.

INSTALAR O TUBO FLEXÍVEL DE RECOLHA DE PÓ

Quando cortar um material que gere pó de corte, utilize o tubo flexível de recolha da seguinte forma:

- (1) Retire a tampa de borracha e instale o adaptador de acessórios. (Fig. 4)
- (2) Instale o tubo flexível de recolha de pó para a ferramenta eléctrica no adaptador de acessórios. (Fig. 4)

CUIDADO

Instale sempre uma tampa de borracha no adaptador de recolha de pó, quando o tubo flexível de recolha de pó não estiver a ser utilizado.

INSTALAR/REMOVER A RODA DE DIAMANTE

1. Instalação

- (1) Solte a porca do manípulo e retire a tampa (B)
- (2) Limpe o pó de corte do eixo e das anilhas.
- (3) Certifique-se de que a direcção de rotação da roda de diamante está em conformidade com a direcção indicada na caixa da engrenagem e instale a roda de diamante, tal como ilustrado na Fig. 1.
- (4) Prima o pino de bloqueio e bloqueie o eixo. Aperte a porca da roda com a chave fornecida. (Fig. 1)

NOTA

Utilize sempre a chave fornecida para fixar a roda da porca.

2. Remoção

Remova a porca da roda com a chave fornecida e retire a roda de diamante. (Fig. 1)

CORTAR

1. Procedimentos de corte (Fig. 5)

- (1) Coloque esta ferramenta no material a cortar e alinhe a linha de corte e a roda de diamante. O corte pode ser efectuado com suavidade se cortar a direito na linha de corte, no corte inicial.
- (2) Ligue o interruptor quando a roda de diamante não estiver a tocar no material a cortar.

2. Operação de ligar e desligar

Ligar: Aperte o botão de bloqueio para frente e depois pressione a alavanca do interruptor.

* Para usar de maneira contínua, pressione a alavanca do interruptor. Ela fica travada ao se apertar novamente o botão de bloqueio para frente.

(*Sujeito a mudanças dependendo da área.)

Desligar: Pressione e solte a alavanca do interruptor.

3. Precauções a serem tomadas imediatamente depois de terminar a operação

Logo após desligar a máquina, continue segurando-a, sem apoiá-la, até que o esmeril pare completamente de funcionar. Além de evitar graves acidentes, esta precaução reduzirá a quantidade de poeira e de limalhas de ferro aspiradas pela máquina.

CUIDADO

- Verifique sempre a roda de diamante antes de começar a trabalhar. Nunca utilize uma roda de diamante que esteja rachada, quebrada ou dobrada.
- Não aplique água ou refrigerante na roda de diamante.
- Apenas comece a cortar quando a roda de diamante atingir a velocidade máxima.
- Se a roda de diamante prender ou existir um ruído anormal, desligue imediatamente a electricidade.
- Nunca utilize a roda de diamante para cortar linhas em zigzag ou curvas. Nunca utilize a superfície lateral da roda de diamante. Nunca efectue cortes em inclinação.
- Se aplicar força excessiva à roda de diamante para a alinhar com a roda de corte durante o corte, isto poderá sobrecarregar o motor e provocar queimaduras, e também sobreaquecer a roda de diamante e diminuir a vida útil.

- Fixe a peça de trabalho. Uma peça de trabalho fixada com dispositivos de fixação ou num torno fica mais segura do que fixada manualmente.
- Tenha cuidado para não permitir que o cabo de alimentação entre em contacto com a roda de diamante durante o funcionamento.
- Quando o trabalho estiver concluído, desligue a alimentação e retire a ficha de alimentação da tomada.

MANUTENÇÃO E INSPEÇÃO

1. Inspeção da roda de diamante

Uma roda de diamante gasta sobrecarrega o motor e reduz a eficiência de trabalho. Substituir por uma nova.

2. Entupimento da roda de diamante

A velocidade de desgaste da extremidade de corte da camada de diamante variará consoante o tipo de material a cortar, a velocidade de corte, etc. De maneira geral, os materiais que produzem partículas de corte granulares podem raspar no agente de revestimento e acelerar o desgaste da camada de diamante. Por outro lado, os materiais que produzem partículas de pó poderão provocar o entupimento da camada de diamante, o que reduzirá a eficiência de corte. Quando ocorrer entupimento, uma força adicional aplicada para tentar aumentar a velocidade de corte por vezes fará com que ocorram faíscas em torno da circunferência da roda de diamante. Nesse caso, pare de utilizar a cortadora e inspeccione cuidadosamente a extremidade de corte, esfregando-a com os dedos. Se a camada de diamante parecer suave (sem aspereza ou abrasão) está entupida com pó e deve ser "rectificada".

Para uma boa rectificação, aproximadamente 5 metros de um corte ligeiramente acelerado a uma profundidade de 10 mm num material relativamente suave, que produz partículas de corte granular (tais como cimento ou tijolo) restabelecerá a eficácia de corte da camada de diamante e prolongará a vida útil da roda de diamante.

O material de diamante é susceptível a altas temperaturas e começará a deteriorar-se a aproximadamente 600°C. As temperaturas mais elevadas provocarão a decomposição de material de diamante. Da mesma forma, é importante efectuar a "rectificação", logo que ocorra a formação de entupimentos ou faíscas.

3. Inspeção dos parafusos de montagem

Inspeccione regularmente todos os parafusos de montagem e se certifique de que estão corretamente apertados. Se algum deles estiver frouxo, reaperte-o imediatamente. Caso isso não seja feito, pode resultar em perigo grave.

4. Manutenção do motor

A unidade de enrolamento do motor é o verdadeiro "coração" da ferramenta elétrica. Cuide bem para assegurar que o enrolamento não se danifique e/ou se molhe com óleo ou água.

5. Inspeção das escovas de carvão (Fig. 6)

O motor emprega escovas de carvão que são peças de consumo.

Quando elas estiverem gastas ou quase chegando ao "limite de uso", podem causar problemas no

motor. Quando o motor estiver equipado com uma escova de carvão de parada automática, ele pára automaticamente.

Nesse momento, troque ambas as escovas de carvão por novas que possuam o mesmo número mostrado na ilustração. Além disso, mantenha sempre limpas as escovas de carvão e certifique-se de que elas deslizem livremente nos suportes de escova.

6. Troca de uma escova de carvão

CM9UBY (Fig. 7)

<Desmontagem>

- (1) Desaperte o parafuso de fixação D4 que retém a protetor da escova e retire o protetor da escova.
- (2) Utilize a chave sextavada auxiliar ou uma chave de fenda pequena para empurrar a borda da mola que está pressionando para baixo a escova de carvão. Retire a ponta da mola em direção à parte externa do suporte de escova.
- (3) Tire a ponta do rabicho da escova de carvão da parte final do suporte de escova e, então, retire a escova de carvão do seu suporte.

<Montagem>

- (1) Insira a ponta do rabicho da escova de carvão na parte final do suporte de escova.
- (2) Insira a escova de carvão no suporte de escova.
- (3) Utilize uma chave sextavada auxiliar ou uma chave de fenda pequena para recolocar a ponta da mola na cabeça da escova de carvão.
- (4) Monte a tampa da escova e aperte o parafuso D4.

CM9SR

Desmonte o protetor da escova com uma chave de fenda. A escova de carvão pode ser retirada facilmente.

7. Lista de peças para conserto

CUIDADO:

Consertos, modificações e inspeção de Ferramentas Elétricas da HiKOKI devem ser realizados por uma Oficina Autorizada da HiKOKI.

Esta lista de peças pode ser útil se apresentada com a ferramenta na Oficina Autorizada da HiKOKI ao solicitar conserto ou manutenção.

Na operação e na manutenção das ferramentas elétricas, devem-se observar as normas de segurança e os padrões prescritos por cada país.

MODIFICAÇÃO:

As Ferramentas Elétricas da HiKOKI estão sempre sendo aperfeiçoadas e modificadas para incorporar os mais recentes avanços tecnológicos.

Dessa forma, algumas peças podem mudar sem aviso prévio.

GARANTIA

Garantimos que a HiKOKI Power Tools obedece às respectivas normas específicas estatutárias/de país. Esta garantia não cobre avarias ou danos derivados de má utilização, abuso ou desgaste normal. Em caso de queixa, envie a Ferramenta, não desmontada, juntamente com o CERTIFICADO DE GARANTIA que se encontra no fundo destas instruções de utilização, para um Centro de Serviço Autorizado HiKOKI.

NOTA:

Devido ao contínuo programa de pesquisa e desenvolvimento da HiKOKI, as especificações aqui contidas estão sujeitas a mudanças sem aviso prévio.

Informação a respeito de ruídos e vibração do ar

Os valores medidos foram determinados de acordo com a EN60745 e declarados em conformidade com a ISO 4871.

Nível de potência sonora ponderada A medida: 111 dB (A)

Nível de pressão sonora ponderada A medida: 100 dB (A)

Imprecisão KpA: 3 dB (A)

Use proteção auditiva.

Os valores totais da vibração (soma do vector triax) são determinados de acordo com a norma EN60745.

CM9SR

Valor de emissão de vibrações $a_h = 5,0 \text{ m/s}^2$

Incerteza de K = 1,5 m/s^2

CM9UBY

Valor de emissão de vibrações $a_h = 2,9 \text{ m/s}^2$

Incerteza de K = 1,5 m/s^2

O valor total de vibração declarado foi medido de acordo com um método de teste padrão e pode ser utilizado para comparar ferramentas.

Podem também ser utilizados numa avaliação preliminar de exposição.

AVISO

- O valor de emissão de vibrações durante a utilização da ferramenta eléctrica pode ser diferente do valor total declarado, consoante as formas de utilização da ferramenta.
- Identificar as medidas de segurança para proteger o operador, que são baseadas numa estimativa de exposição nas actuais condições de utilização (tendo em conta todas as partes do ciclo de funcionamento, tais como os tempos em que a ferramenta é desligada e quando está a funcionar ao ralenti, além do tempo de accionamento do gatilho).

● Informação sobre o sistema de fornecimento de energia de voltagem nominal 230 V~ (Somente para CM9SR)

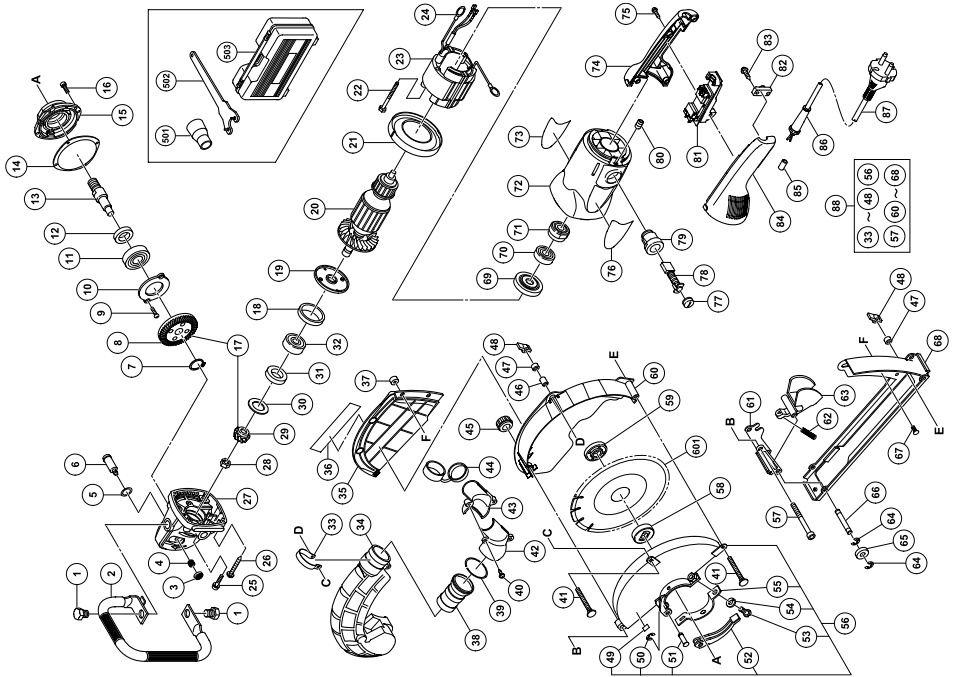
Sob condições desfavoráveis dos circuitos, esta ferramenta eléctrica pode causar quedas de voltagem transitórias ou flutuações que interferem na voltagem.

Esta ferramenta eléctrica foi planejada para ser conectada a um sistema de fornecimento de energia com a impedância máxima permissível Z_{MAX} de 0,28 Ohm no ponto de interface (caixa de ligações de força) do usuário.

O usuário precisa se certificar que esta ferramenta eléctrica está conectada a um sistema de fornecimento de energia que preencha o requisito acima.

Se necessário, o usuário pode solicitar à companhia de fornecimento de energia eléctrica um sistema de impedância no ponto de interface.

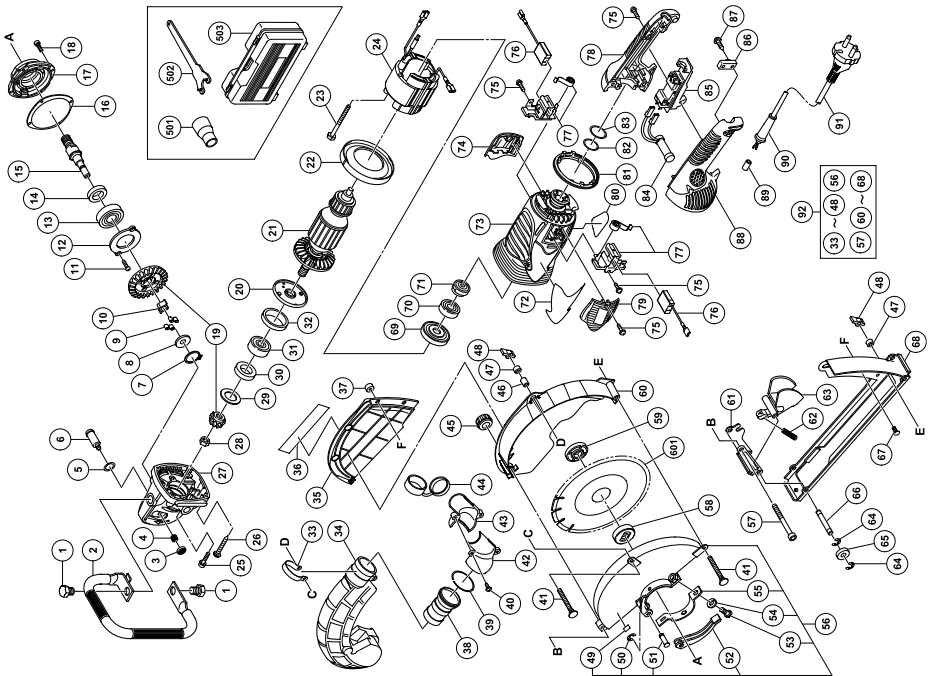
CM9SR



A	B	C	D	M6
48	314-622	2		
49	311-492	1		
50	673-489	1		
51	321-546	1		
52	321-545	1		
53	306-887	1		M8x22
54	949-457	1		M8
55	321-544	1		"49-55"
56	328-745	1		
57	328-843	1		
58	937-907Z	1		M14x2
59	937-909Z	1		
60	328-749	1		
61	328-750	1		
62	314-429	1		
63	328-751	1		
64	974-577	8		
65	328-755	4		
66	328-756	2		M5
67	328-747	1		
68	328-747	2		
69	320-216	1		
70	600-0VV	1		6000VVCMP52L
71	321-536	1		
72	325-640	1		"71, 79, 80"
73		1		
74	325-642	1		
75	305-812	4		D4x16
76		1		
77	940-540	2		
78-1	999-044	1		
78-2	999-074	1		
78-3	999-044	2		"GBR"
79	980-487	2		
80	938-477	1		M5x8
81-1	320-238	1		
81-2	320-239	1		
82	960-266	1		
83	984-750	2		D4x16
84	325-641	1		
85	981-373	2		
86	940-778	1		D10.7
87		1		
88	328-744	1		"33-48, 56, 57, 60-68"
501	320-994	1		
502	937-913Z	1		
503	328-844	1		

A	B	C	D
1	985-597	2	M14
2	323-993	1	"1"
3	306-888	1	
4	320-219	1	
5	320-218	1	
6	306-890	1	
7	939-542	1	
8	320-224	1	
9	949-236	2	M5x10
10	320-229	1	
11	630-2VV	1	6302VVCMP52L
12	990-952	1	
13	320-234	1	
14	320-228	1	
15	320-227	1	
16	994-192	4	M5x16
17	320-223	1	"8, 29"
18	994-208	1	
19	320-220	1	
20-1	360-762C	1	110V
20-2	360-762E	1	220V-240V
21	320-215	1	
22	961-521	2	D5x60
23-1	340-664C	1	110V
23-2	340-664E	1	220V-230V
24	958-032	2	
25	984-509	2	M5x14
26	323-209	4	D5x35
27	320-217	1	"3-6"
28	320-226	1	M10
29	320-225	1	
30	320-221	1	
31	320-222	1	
32	630-1VV	1	6301VVCMP52L
33	328-754	1	
34	328-748	1	
35	328-752	1	
36		1	
37	997-437	4	
38	328-758	1	
39	328-761	1	
40	305-720	2	
41	328-753	2	
42	328-759	1	
43	328-760	1	
44	324-965	1	
45	995-578	1	
46	885-414	1	D4x12
47	328-841	2	M6

CM19UBY



A	B	C	D	A	B	C	D
1	985-597	2	"1"	49	311-492	1	
2	323-993	1		50	673-489	1	
3	306-888	1		51	321-546	1	
4	320-219	1		52	321-545	1	M8x22
5	302-218	1		53	306-887	1	M8
6	306-890	1		54	949-457	1	
7	939-540	1		55	321-544	1	"49-56"
8	328-722	1		56	328-745	1	
9	326-721	4		57	328-843	1	M14x2
10	326-720	1	M5x10	58	937-909Z	1	
11	949-236	2		59	937-907Z	1	
12	326-723	1	6302VVCMP2SL	60	328-749	1	
13	630-2VV	1		61	328-750	1	
14	990-852	1		62	314-429	1	
15	326-727	1		63	328-751	1	
16	320-228	1		64	974-577	8	
17	320-227	1		65	328-755	4	
18	994-192	4	M5x16	66	328-756	2	M5
19	328-698	1		67	328-757	2	
20	320-220	1		68	328-747	1	
21-1	360-594JU	1		69	320-216	1	6000VVCMP2SL
21-2	360-777E	1	110V-120V "30, 31, 69, 70" 220V-230V	70	600-0VV	1	
22	320-215	1		71	321-536	1	
23	984-271	2		72		1	"2"
24-1	340-682C	1	D5x75	73	326-712	1	
24-2	340-682E	1	110V-120V 220V-240V	74	326-715	1	D4x16
25	984-509	2	M5x14	75	305-812	8	
26	323-209	4	D5x35	76-1	999-061	1	
27	326-717	1	"3-6"	76-2	999-089	1	"GBR"
28	320-226	1	M10	77	322-323	2	
29	320-221	1		78	326-713	1	
30	320-222	1		79	326-71	1	
31	630-1VV	1	6301VVCMP2SL	80		1	
32	994-208	1		81	326-726	1	
33	328-754	1		82	326-724	1	
34	328-748	1		83	326-725	1	
35	328-752	1		84	320-236	1	
36	997-467	2		85-1	320-377	1	
37	328-758	1		85-2	320-235	1	
38	328-761	1		86	984-750	2	D4x16
39	305-720	2		87	984-750	2	
40	328-753	1		88	326-714	1	
41	328-759	2	D4x12 M6	89	981-373	2	
42	328-760	1		90	940-778	1	D10.7
43	324-865	1		91		1	"33-48, 57, 58, 61-69"
44	995-576	1		92	328-744	1	
46	885-414	1		501	320-994	1	
47	328-841	2		502	937-913Z	1	
48	314-622	2		503	328-844	1	

<p>English</p> <p style="text-align: center;"><u>GUARANTEE CERTIFICATE</u></p> <ol style="list-style-type: none"> ① Model No. ② Serial No. ③ Date of Purchase ④ Customer Name and Address ⑤ Dealer Name and Address (Please stamp dealer name and address) 	<p>Nederlands</p> <p style="text-align: center;"><u>GARANTIEBEWIJS</u></p> <ol style="list-style-type: none"> ① Modelnummer ② Serienummer ③ Datum van aankoop ④ Naam en adres van de gebruiker ⑤ Naam en adres van de handelaar (Stempel a.u.b. naam en adres vande de handelaar)
<p>Deutsch</p> <p style="text-align: center;"><u>GARANTIESCHEIN</u></p> <ol style="list-style-type: none"> ① Modell-Nr. ② Serien-Nr. ③ Kaufdatum ④ Name und Anschrift des Kunden ⑤ Name und Anschrift des Händlers (Bitte mit Namen und Anschrift des Handlers abstempeln) 	<p>Español</p> <p style="text-align: center;"><u>CERTIFICADO DE GARANTIA</u></p> <ol style="list-style-type: none"> ① Número de modelo ② Número de serie ③ Fecha de adquisición ④ Nombre y dirección del cliente ⑤ Nombre y dirección del distribuidor (Se ruega poner el sellú del distribuidor con su nombre y dirección)
<p>Français</p> <p style="text-align: center;"><u>CERTIFICAT DE GARANTIE</u></p> <ol style="list-style-type: none"> ① No. de modèle ② No de série ③ Date d'achat ④ Nom et adresse du client ⑤ Nom et adresse du revendeur (Cachet portant le nom et l'adresse du revendeur) 	<p>Português</p> <p style="text-align: center;"><u>CERTIFICADO DE GARANTIA</u></p> <ol style="list-style-type: none"> ① Número do modelo ② Número do série ③ Data de compra ④ Nome e morada do cliente ⑤ Nome e morada do distribuidor (Por favor, carimbe o nome e morada do distribuidor)
<p>Italiano</p> <p style="text-align: center;"><u>CERTIFICATO DI GARANZIA</u></p> <ol style="list-style-type: none"> ① Modello ② N° di serie ③ Data di acquisto ④ Nome e indirizzo dell'acquirente ⑤ Nome e indirizzo del rivenditore (Si prega di apporre il timbro con questi dati) 	



HIKOKI

①	
②	
③	
④	
⑤	



Hikoki Power Tools Deutschland GmbH

Siemensring 34, 47877 Willich, Germany
Tel: +49 2154 49930
Fax: +49 2154 499350
URL: <http://www.hikoki-powertools.de>

Hikoki Power Tools Netherlands B.V.

Brabanthaven 11, 3433 PJ Nieuwegein, The Netherlands
Tel: +31 30 6084040
Fax: +31 30 6067266
URL: <http://www.hikoki-powertools.nl>

Hikoki Power Tools (U.K.) Ltd.

Precedent Drive, Rooksley, Milton Keynes, MK 13, 8PJ,
United Kingdom
Tel: +44 1908 660663
Fax: +44 1908 606642
URL: <http://www.hikoki-powertools.uk>

Hikoki Power Tools France S.A.S.

Parc de l'Eglantier 22, rue des Cerisiers, Lisses-C.E. 1541,
91015 EVRY CEDEX, France
Tel: +33 1 69474949
Fax: +33 1 60861416
URL: <http://www.hikoki-powertools.fr>

Hikoki Power Tools Belgium N.V./S.A.

Koningin Astridlaan 51, B-1780 Wommel, Belgium
Tel: +32 2 460 1720
Fax: +32 2 460 2542
URL: <http://www.hikoki-powertools.be>

Hikoki Power Tools Italia S.p.A


Via Piave 35, 36077, Altavilla Vicentina (VI), Italy
Tel: +39 0444 548111
Fax: +39 0444 548110
URL: <http://www.hikoki-powertools.it>

Hikoki Power Tools Ibérica, S.A.

C/ Puigbarral, 26-28, Pol. Ind. Can Petit, 08227 Terrassa
(Barcelona), Spain
Tel: +34 93 735 6722
Fax: +34 93 735 7442
URL: <http://www.hikoki-powertools.es>

Hikoki Power Tools Österreich GmbH

IndustrieZentrum NÖ –Süd, Straße 7, Obj. 58/A6 2355
Wiener Neudorf, Austria
Tel: +43 2236 64673/5
Fax: +43 2236 63373
URL: <http://www.hikoki-powertools.at>

English	Nederlands
<p align="center">EC DECLARATION OF CONFORMITY</p> <p>We declare under our sole responsibility that Cutter, identified by type and specific identification code *1), is in conformity with all relevant requirements of the directives *2) and standards *3). Technical file at *4) – See below. The European Standard Manager at the representative office in Europe is authorized to compile the technical file. The declaration is applicable to the product affixed CE marking.</p>	<p align="center">EC VERKLARING VAN CONFORMITEIT</p> <p>Wij verklaren onder onze eigen verantwoordelijkheid dat Steenzaagmachine, geïdentificeerd door het type en de specifieke identificatiecode*1), voldoet aan alle relevante bepalingen van de richtlijnen*2) en normen*3). Technische documentatie bij*4) – zie onder. De Europese Normen Manager bij de vertegenwoordiging in Europa is gemachtigd om het technisch dossier samen te stellen. Deze verklaring is van toepassing op producten voorzien van de CE-markeringen.</p>
Deutsch	Español
<p align="center">EG-KONFORMITÄTSERLÄRUNG</p> <p>Wir erklären in alleiniger Verantwortung, dass die durch den Typ und den spezifischen Identifizierungscode *1) identifizierte Steinsäge allen einschlägigen Bestimmungen der Richtlinien *2) und Normen *3) entspricht. Technische Unterlagen unter *4) – Siehe unten. Die Leitung der repräsentativen Behörde für europäische Normen und Richtlinien ist berechtigt, die technischen Unterlagen zusammenzustellen. Die Erklärung gilt für die an dem Produkt angebrachte CE-Kennzeichnung.</p>	<p align="center">DECLARACIÓN DE CONFORMIDAD DE LA CE</p> <p>Declaramos bajo nuestra única responsabilidad que la Cortadora, identificada por tipo y por código de identificación específico *1), está en conformidad con todas las disposiciones correspondientes de las directivas *2) y de las normas *3). Documentación técnica en *4) – Ver a continuación. El Director de Normas Europeas en la oficina de representación en Europa está autorizado para elaborar el expediente técnico. La declaración se aplica al producto con marcas de la CE.</p>
Français	Português
<p align="center">DECLARATION DE CONFORMITE CE</p> <p>Nous déclarons sous notre entière responsabilité que la Scie à béton, identifiée par le type et le code d'identification spécifique *1) est en conformité avec toutes les exigences applicables des directives *2) et des normes *3). Dossier technique en *4) – Voir ci-dessous. Le Gestionnaire des normes européennes du bureau de représentation en Europe est autorisé à constituer le dossier technique. Cette déclaration s'applique aux produits désignés CE.</p>	<p align="center">DECLARAÇÃO DE CONFORMIDADE CE</p> <p>Declaramos, sob nossa única e inteira responsabilidade, que Cortadora, identificada por tipo y por código de identificação específico *1), está em conformidade com todos os requerimentos relevantes das diretivas *2) e normas *3). Ficheiro técnico em *4)–Consulte abaixo. O Gestor de Normas Europeias no escritório de representação na Europa está autorizado a compilar o ficheiro técnico. A declaração aplica-se aos produtos com marca CE.</p>
Italiano	
<p align="center">DICHIARAZIONE DI CONFORMITÀ CE</p> <p>Dichiariamo sotto la nostra esclusiva responsabilità che la elettrotroncatrice, identificata dal tipo e dal codice identificativo specifico **1), è conforme a tutti i requisiti delle direttive *2) e degli standard *3). Documentazione tecnica presso *4) – Vedere sotto. Il gestore delle norme europee presso l'ufficio di rappresentanza in Europa è autorizzato a compilare il fascicolo tecnico. La dichiarazione è applicabile ai prodotti cui sono applicati i marchi CE.</p>	
<p>*1) CM9SR C335354R C335355M C335356S CM9UBY C335357R C335358M C335359S</p> <p>*2) 2006/42/EC, 2014/30/EU, 2011/65/EU</p> <p>*3) EN60745-1:2009+A11:2010 EN60745-2-22:2011+A11:2013 EN55014-1:2006+A1:2009+A2:2011 EN55014-2:1997+A1:2001+A2:2008 EN61000-3-2:2014 EN61000-3-3:2013</p>	
<p>*4) Representative office in Europe Hikoki Power Tools Deutschland GmbH Siemensring 34, 47877 Willich, Germany</p> <p>Head office in Japan Koki Holdings Co., Ltd. Shinagawa Intercity Tower A, 15-1, Konan 2-chome, Minato-ku, Tokyo, Japan</p>	<p>29. 6. 2018 Naoto Yamashiro European Standard Manager</p> <p>29. 6. 2018  A. Nakagawa Corporate Officer</p>