

# HITACHI

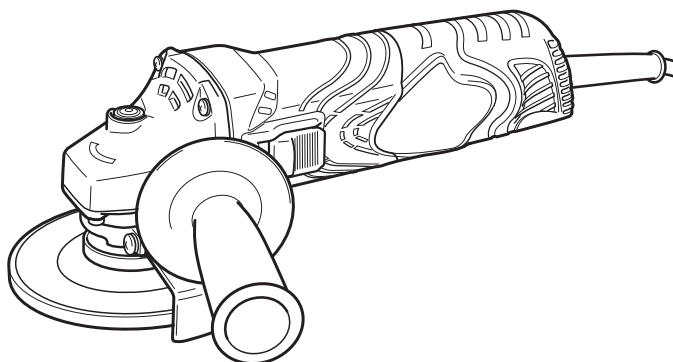
---

**Disc Grinder**  
**Amoladora angular**  
**Rebarbadora**

---

**G 10SR3 • G 12SR3 • G 13SR3**

---



G12SR3

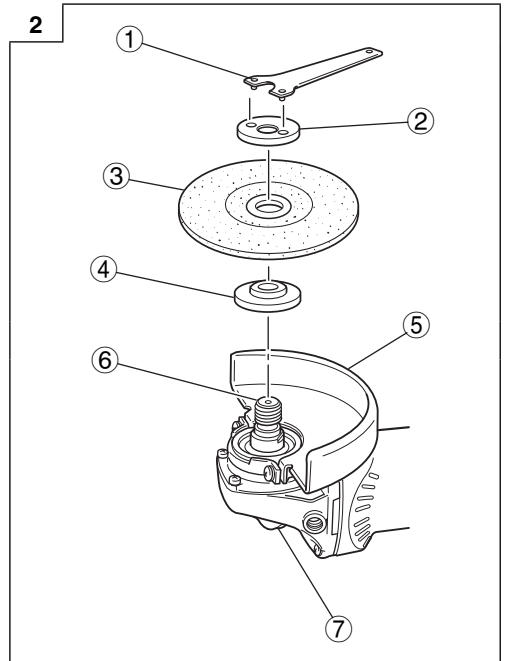
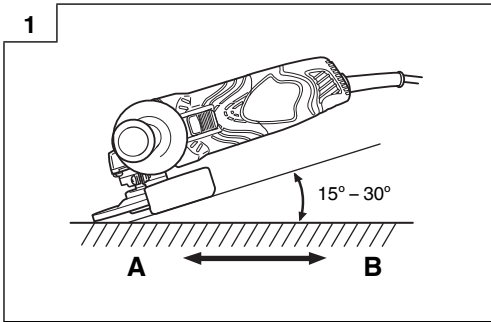
Read through carefully and understand these instructions before use.  
Leer cuidadosamente y comprender estas instrucciones antes del uso.  
Antes de usar, leia com cuidado para assimilar estas instruções.

---



**Handling instructions**  
**Instrucciones de manejo**  
**Instruções de uso**

**Hitachi Koki**



	English	Español	Português
①	Wrench	Llave para tuercas	Chave de aperto
②	Wheel nut	Contratuerca molar	Porca da roda
③	Depressed center wheel	Muela de alisado	Roda de esmeril de centro deprimido
④	Wheel washer	Arandela molar	Porca de roda
⑤	Wheel guard	Cubierta protectora de muela	Protetor de roda
⑥	Spindle	Eje	Eixo
⑦	Push button	Botón pulsador	Botão de pressão

## GENERAL POWER TOOL SAFETY WARNINGS

### WARNING

Read all safety warnings and all instructions.

Failure to follow the warnings and instructions may result in electric shock, fire and/or serious injury.

Save all warnings and instructions for future reference. The term "power tool" in the warnings refers to your mains-operated (corded) power tool or battery-operated (cordless) power tool.

- 1) **Work area safety**
    - a) **Keep work area clean and well lit.**  
*Cluttered or dark areas invite accidents.*
    - b) **Do not operate power tools in explosive atmospheres, such as in the presence of flammable liquids, gases or dust.**  
*Power tools create sparks which may ignite the dust or fumes.*
    - c) **Keep children and bystanders away while operating a power tool.**  
*Distractions can cause you to lose control.*
  - 2) **Electrical safety**
    - a) **Power tool plugs must match the outlet. Never modify the plug in any way. Do not use any adapter plugs with earthed (grounded) power tools.**  
*Unmodified plugs and matching outlets will reduce risk of electric shock.*
    - b) **Avoid body contact with earthed or grounded surfaces, such as pipes, radiators, ranges and refrigerators.**  
*There is an increased risk of electric shock if your body is earthed or grounded.*
    - c) **Do not expose power tools to rain or wet conditions.**  
*Water entering a power tool will increase the risk of electric shock.*
    - d) **Do not abuse the cord. Never use the cord for carrying, pulling or unplugging the power tool. Keep cord away from heat, oil, sharp edges or moving parts.**  
*Damaged or entangled cords increase the risk of electric shock.*
    - e) **When operating a power tool outdoors, use an extension cord suitable for outdoor use.**  
*Use of a cord suitable for outdoor use reduces the risk of electric shock.*
    - f) **If operating a power tool in a damp location is unavoidable, use a residual current device (RCD) protected supply.**  
*Use of an RCD reduces the risk of electric shock.*
  - 3) **Personal safety**
    - a) **Stay alert, watch what you are doing and use common sense when operating a power tool. Do not use a power tool while you are tired or under the influence of drugs, alcohol or medication.**  
*A moment of inattention while operating power tools may result in serious personal injury.*
    - b) **Use personal protective equipment. Always wear eye protection.**  
*Protective equipment such as dust mask, non-skid safety shoes, hard hat, or hearing protection used for appropriate conditions will reduce personal injuries.*
    - c) **Prevent unintentional starting. Ensure the switch is in the off-position before connecting to power source and/or battery pack, picking up or carrying the tool.**
- Carrying power tools with your finger on the switch or energising power tools that have the switch on invites accidents.*
- d) **Remove any adjusting key or wrench before turning the power tool on.**  
*A wrench or a key left attached to a rotating part of the power tool may result in personal injury.*
  - e) **Do not overreach. Keep proper footing and balance at all times.**  
*This enables better control of the power tool in unexpected situations.*
  - f) **Dress properly. Do not wear loose clothing or jewellery. Keep your hair, clothing and gloves away from moving parts.**  
*Loose clothes, jewellery or long hair can be caught in moving parts.*
  - g) **If devices are provided for the connection of dust extraction and collection facilities, ensure these are connected and properly used.**  
*Use of dust collection can reduce dust related hazards.*
- 4) **Power tool use and care**
    - a) **Do not force the power tool. Use the correct power tool for your application.**  
*The correct power tool will do the job better and safer at the rate for which it was designed.*
    - b) **Do not use the power tool if the switch does not turn it on and off.**  
*Any power tool that cannot be controlled with the switch is dangerous and must be repaired.*
    - c) **Disconnect the plug from the power source and/or the battery pack from the power tool before making any adjustments, changing accessories, or storing power tools.**  
*Such preventive safety measures reduce the risk of starting the power tool accidentally.*
    - d) **Store idle power tools out of the reach of children and do not allow persons unfamiliar with the power tool or these instructions to operate the power tool.**  
*Power tools are dangerous in the hands of untrained users.*
    - e) **Maintain power tools. Check for misalignment or binding of moving parts, breakage of parts and any other condition that may affect the power tools' operation.**  
**If damaged, have the power tool repaired before use.**  
*Many accidents are caused by poorly maintained power tools.*
    - f) **Keep cutting tools sharp and clean.**  
*Properly maintained cutting tools with sharp cutting edges are less likely to bind and are easier to control.*
    - g) **Use the power tool, accessories and tool bits etc. in accordance with these instructions, taking into account the working conditions and the work to be performed.**  
*Use of the power tool for operations different from those intended could result in a hazardous situation.*
  - 5) **Service**
    - a) **Have your power tool serviced by a qualified repair person using only identical replacement parts.**  
*This will ensure that the safety of the power tool is maintained.*
- PRECAUTION**  
Keep children and infirm persons away.  
When not in use, tools should be stored out of reach of children and infirm persons.

## SAFETY WARNINGS COMMON FOR GRINDING OR ABRASIVE CUTTING-OFF OPERATIONS

- a) **This power tool is intended to function as a grinder or cut-off tool. Read all safety warnings, instructions, illustrations and specifications provided with this power tool.**  
*Failure to follow all instructions listed below may result in electric shock, fire and/or serious injury.*
- b) **Operations such as sanding, wire brushing or polishing are not recommended to be performed with this power tool.**  
*Operations for which the power tool was not designed may create a hazard and cause personal injury.*
- c) **Do not use accessories which are not specifically designed and recommended by the tool manufacturer.**  
*Just because the accessory can be attached to your power tool, it does not assure safe operation.*
- d) **The rated speed of the accessory must be at least equal to the maximum speed marked on the power tool.**  
*Accessories running faster than their rated speed can break and fly apart.*
- e) **The outside diameter and the thickness of your accessory must be within the capacity rating of your power tool.**  
*Incorrectly sized accessories cannot be adequately guarded or controlled.*
- f) **The arbour size of wheels, flanges, backing pads or any other accessory must properly fit the spindle of the power tool.**  
*Accessories with arbour holes that do not match the mounting hardware of the power tool will run out of balance, vibrate excessively and may cause loss of control.*
- g) **Do not use a damaged accessory. Before each use inspect the accessory such as abrasive wheels for chips and cracks, backing pad for cracks, tear or excess wear, wire brush for loose or cracked wires. If power tool or accessory is dropped, inspect for damage or install an undamaged accessory. After inspecting and installing an accessory, position yourself and bystanders away from the plane of the rotating accessory and run the power tool at maximum no-load speed for one minute.**  
*Damaged accessories will normally break apart during this test time.*
- h) **Wear personal protective equipment. Depending on application, use face shield, safety goggles or safety glasses. As appropriate, wear dust mask, hearing protectors, gloves and workshop apron capable of stopping small abrasive or workpiece fragments.**  
*The eye protection must be capable of stopping flying debris generated by various operations. The dust mask or respirator must be capable of filtering particles generated by your operation. Prolonged exposure to high intensity noise may cause hearing loss.*
- i) **Keep bystanders a safe distance away from work area. Anyone entering the work area must wear personal protective equipment.**  
*Fragments of workpiece or of a broken accessory may fly away and cause injury beyond immediate area of operation.*
- j) **Hold power tool by insulated gripping surfaces only, when performing an operation where the cutting accessory may contact hidden wiring or its own cord.**  
*Cutting accessory contacting a "live" wire may make exposed metal parts of the power tool "live" and shock the operator.*

- k) **Position the cord clear of the spinning accessory.**  
*If you lose control, the cord may be cut or snagged and your hand or arm may be pulled into the spinning accessory.*
- l) **Never lay the power tool down until the accessory has come to a complete stop.**  
*The spinning accessory may grab the surface and pull the power tool out of your control.*
- m) **Do not run the power tool while carrying it at your side.**  
*Accidental contact with the spinning accessory could snag your clothing, pulling the accessory into your body.*
- n) **Regularly clean the power tool's air vents.**  
*The motor's fan will draw the dust inside the housing and excessive accumulation of powdered metal may cause electrical hazards.*
- o) **Do not operate the power tool near flammable materials.**  
*Sparks could ignite these materials.*
- p) **Do not use accessories that require liquid coolants.**  
*Using water or other liquid coolants may result in electrocution or shock.*

## KICKBACK AND RELATED WARNINGS

*Kickback is a sudden reaction to a pinched or snagged rotating wheel, backing pad, brush or any other accessory. Pinching or snagging causes rapid stalling of the rotating accessory which in turn causes the uncontrolled power tool to be forced in the direction opposite of the accessory's rotation at the point of the binding.*

*For example, if an abrasive wheel is snagged or pinched by the workpiece, the edge of the wheel that is entering into the pinch point can dig into the surface of the material causing the wheel to climb out or kick out. The wheel may either jump toward or away from the operator, depending on direction of the wheel's movement at the point of pinching. Abrasive wheels may also break under these conditions.*

*Kickback is the result of power tool misuse and/or incorrect operating procedures or conditions and can be avoided by taking proper precautions as given below.*

- a) **Maintain a firm grip on the power tool and position your body and arm to allow you to resist kickback forces. Always use auxiliary handle, if provided, for maximum control over kickback or torque reaction during start-up.**  
*The operator can control torque reactions or kickback forces, if proper precautions are taken.*
- b) **Never place your hand near the rotating accessory.**  
*Accessory may kickback over your hand.*
- c) **Do not position your body in the area where power tool will move if kickback occurs.**  
*Kickback will propel the tool in direction opposite to the wheel's movement at the point of snagging.*
- d) **Use special care when working corners, sharp edges etc. Avoid bouncing and snagging the accessory.**  
*Corners, sharp edges or bouncing have a tendency to snag the rotating accessory and cause loss of control or kickback.*
- e) **Do not attach a saw chain woodcarving blade or toothed saw blade.**  
*Such blades create frequent kickback and loss of control.*

## SAFETY WARNINGS SPECIFIC FOR GRINDING AND ABRASIVE CUTTING-OFF OPERATIONS

- a) **Use only wheel types that are recommended for your power tool and the specific guard designed for the selected wheel.**

*Wheels for which the power tool was not designed cannot be adequately guarded and are unsafe.*

- b) The guard must be securely attached to the power tool and positioned for maximum safety, so the least amount of wheel is exposed towards the operator.**  
*The guard helps to protect operator from broken wheel fragments and accidental contact with wheel.*
- c) Wheels must be used only for recommended applications. For example: do not grind with the side of cut-off wheel.**  
*Abrasive cut-off wheels are intended for peripheral grinding, side forces applied to these wheels may cause them to shatter.*
- d) Always use undamaged wheel flanges that are of correct size and shape for your selected wheel.**  
*Proper wheel flanges support the wheel thus reducing the possibility of wheel breakage. Flanges for cut-off wheels may be different from grinding wheel flanges.*
- e) Do not use worn down wheels from larger power tools.**  
*Wheel intended for larger power tool is not suitable for the higher speed of a smaller tool and may burst.*

**ADDITIONAL SAFETY WARNINGS SPECIFIC FOR ABRASIVE CUTTING-OFF OPERATIONS**

- a) Do not “jam” the cut-off wheel or apply excessive pressure. Do not attempt to make an excessive depth of cut.**  
*Overstressing the wheel increases the loading and susceptibility to twisting or blinding of the wheel in the cut and the possibility of kickback or wheel breakage.*
- b) Do not position your body in line with and behind the rotating wheel.**  
*When the wheel, at the point of operation, is moving away from your body, the possible kickback may propel the spinning wheel and the power tool directly at you.*
- c) When wheel is binding or when interrupting a cut for any reason, switch off the power tool and hold the power tool motionless until the wheel comes to a complete stop. Never attempt to remove the cut-off wheel from the cut while the wheel is in motion otherwise kickback may occur.**  
*Investigate and take corrective action to eliminate the cause of wheel binding.*
- d) Do not restart the cutting operation in the workpiece. Let the wheel reach full speed and carefully reenter the cut.**  
*The wheel may bind, walk up or kickback if the power tool is restarted in the workpiece.*

**GENERAL SAFETY INSTRUCTIONS FOR GRINDERS**

- Check that speed marked on the wheel is equal to or greater than the rated speed of the grinder;
- Ensure that the wheel dimensions are compatible with the grinder;
- Abrasive wheels shall be stored and handled with care in accordance with manufacturer’s instructions;
- Inspect the grinding wheel before use, do not use chipped, cracked or otherwise defective products;
- Ensure that mounted wheels and points are fitted in accordance with the manufacturer’s instructions;
- Ensure that blotters are used when they are provided with the bonded abrasive product and when they are required;
- Ensure that the abrasive product is correctly mounted and tightened before use and run the tool at no-load for 30 seconds in a safe position, stop immediately if there is considerable vibration or if other defects are detected. If this condition occurs, check the machine to determine the cause;
- If a guard is equipped with the tool never use the tool without such a guard;
- Do not use separate reducing bushings or adapters to adapt large hole abrasive wheels;
- For tools intended to be fitted with threaded hole wheel, ensure that the thread in the wheel is long enough to accept the spindle length;
- Check that the work piece is properly supported;
- Do not use cutting off wheel for side grinding;
- Ensure that sparks resulting from use do not create a hazard e.g. do not hit persons, or ignite flammable substances;
- Ensure that ventilation openings are kept clear when working in dusty conditions, if it should become necessary to clear dust, first disconnect the tool from the mains supply (use non metallic objects) and avoid damaging internal parts;
- Always use eye and ear protection. Other personal protective equipment such as dust mask, gloves, helmet and apron should be worn;
- Pay attention to the wheel that continues to rotate after the tool is switched off.

**SPECIFICATIONS**

Model		G10SR3	G12SR3	G13SR3
Voltage (by areas)*		(110 V, 115 V, 120 V, 127 V, 220 V, 230 V, 240 V) ~		
Power Input*		730 W		
No-load speed		10000/min		
Wheel	Outer dia. x hole dia.	100 x 16 mm	115 x 22.23 mm	125 x 22.23 mm
	Peripheral speed	72 m/s	80 m/s	
Weight (Only main body)		1.4 kg		

\* Be sure to check the nameplate on product as it is subject to change by areas.

---

## STANDARD ACCESSORIES

---

- (1) Wrench ..... 1
- (2) Side handle ..... 1

Standard accessories are subject to change without notice.

---

## APPLICATIONS

---

- Removal of casting fin and finishing of various types of steel, bronze and aluminum materials and castings.
- Grinding of welded sections or sections cut by means of a cutting torch.
- Grinding of synthetic resins, slate, brick, marble, etc.

---

## PRIOR TO OPERATION

---

### 1. Power source

Ensure that the power source to be utilized conforms to the power requirements specified on the product nameplate.

### 2. Power switch

Ensure that the power switch is in the OFF position. If the plug is connected to a receptacle while the power switch is in the ON position, the power tool will start operating immediately, which could cause a serious accident.

### 3. Extension cord

When the work area is removed from the power source, use an extension cord of sufficient thickness and rated capacity. The extension cord should be kept as short as practicable.

### 4. Fitting and adjusting the wheel guard

The wheel guard is a protective device to prevent injury should the depressed center wheel shatter during operation. Ensure that the guard is properly fitted and fastened before commencing grinding operation.

By slightly loosening the setting screw, the wheel guard can be turned and set at any desired angle for maximum operational effectiveness. Ensure that the setting screw is thoroughly tightened after adjusting the wheel guard.

### 5. Ensure that mounted wheels and points are fitted in accordance with the manufacturer's instructions.

Ensure that the depressed center wheel to be utilized is the correct type and free of cracks or surface defects. Also ensure that the depressed center wheel is properly mounted and the wheel nut is securely tightened. Refer to the section on "ASSEMBLING AND DISASSEMBLING THE DEPRESSED CENTER WHEEL".

Ensure that blotters are used when they are provided with the bonded abrasive product and when they are required.

Do not use separate reducing bushings or adaptors to adapt large hole abrasive wheels.

For tools intended to be fitted with threaded hole wheel, ensure that the thread in the wheel is long enough to accept the spindle length.

Do not use cutting off wheel for side grinding.

### 6. Conducting a trial run

Ensure that the abrasive products is correctly mounted and tightened before use and run the tool at no-load for 30 seconds in a safe position, stop immediately if there is considerable vibration or if other defects are detected.

If this condition occurs, check the machine to determine the cause.

### 7. Confirm the push button

Confirm that the push button is disengaged by pushing push button two or three times before switching the power tool on (see Fig. 2).

### 8. Fixing the side handle

Screw the side handle into the gear cover.

---

## PRACTICAL GRINDER APPLICATION

---

### 1. Pressure

To prolong the life of the machine and ensure a first class finish, it is important that the machine should not be overloaded by applying too much pressure. In most applications, the weight of the machine alone is sufficient for effective grinding. Too much pressure will result in reduced rotational speed, inferior surface finish, and overloading which could reduce the life of the machine.

### 2. Grinding angle

Do not apply the entire surface of the depressed center wheel to the material to be ground. As shown in Fig. 1, the machine should be held at an angle of 15° – 30° so that the external edge of the depressed center wheel contacts the material at an optimum angle.

### 3. To prevent a new depressed center wheel from digging into the workpiece, initial grinding should be performed by drawing the grinder across the workpiece toward the operator (Fig. 1 direction B). Once the leading edge of the depressed center wheel is properly abraded, grinding may be conducted in either direction.

### 4. Precautions immediately after finishing operation

The wheel continues to rotate after the tool is switched off.

After switching off the machine, do not put it down until the depressed center wheel has come to a complete stop. Apart from avoiding serious accidents, this precaution will reduce the amount of dust and swarf sucked into the machine.

## CAUTION

- Check that the work piece is properly supported.
- Ensure that ventilation openings are kept clear when working in dusty conditions.

If it should become necessary to clear dust, first disconnect the tool from the mains supply (use non-metallic objects) and avoid damaging internal parts.

- Ensure that sparks resulting from use do not create a hazard e.g. do not hit persons, or ignite flammable substances.
- Always use eye and ear protection.

Other personal protective equipment such as dust mask, gloves, helmet and apron should be worn when necessary.

If in doubt, wear the protective equipment.

- When the machine is not use, the power source should be disconnected.

---

## ASSEMBLING AND DISASSEMBLING THE DEPRESSED CENTER WHEEL (Fig. 2)

---

## CAUTION

Be sure to switch OFF and disconnect the attachment plug from the receptacle to avoid a serious accident.

### 1. Assembling (Fig. 2)

- (1) Turn the disc grinder upsidedown so that the spindle is facing upward.
- (2) Align the across flats of the wheel washer with the notched part of the spindle, then attach them.
- (3) Fit the protuberance of the depressed center wheel onto the wheel washer.
- (4) Screw the wheel nut onto the spindle.
- (5) While pushing the push button with one hand, lock the spindle by turning the depressed center wheel slowly with the other hand.  
Tighten the wheel nut by using the supplied wrench as shown in Fig. 2.

**2. Disassembling**

Follow the above procedures in reverse.

**CAUTION**

- Confirm that the depressed center wheel is mounted firmly.
- Confirm that the push button is disengaged by pushing push button two or three times before switching the power tool on.

**MAINTENANCE AND INSPECTION****1. Inspecting the depressed center wheel**

Ensure that the depressed center wheel is free of cracks and surface defects.

**2. Inspecting the mounting screws**

Regularly inspect all mounting screws and ensure that they are properly tightened. Should any of the screws be loose, retighten them immediately. Failure to do so could result in serious hazard.

**3. Inspecting the carbon brushes**

For your continued safety and electrical shock protection, carbon brush inspection and replacement on this tool should ONLY be performed by a HITACHI AUTHORIZED SERVICE CENTER.

**4. Replacing supply cord**

If the supply cord of Tool is damaged, the Tool must be returned to Hitachi Authorized Service Center for the cord to be replaced.

**5. Maintenance of the motor****WARNING**

Always wear protective goggles and dust respirators when blowing air from the tail cover air hole with the use of an air gun, etc.

Failure to observe this may result in ejected dust being inhaled or entering your eyes.

The motor unit winding is the very "heart" of the power tool. Exercise due care to ensure the winding does not become damaged and/or wet with oil or water.

**NOTE**

When work has been finished, blow air containing no moisture from the tail cover air hole with the use of an air gun, etc., while running the motor without any load applied. This is effective in removing any dirt and dust that has accumulated. Dirt and dust collecting inside the motor may result in malfunctions.

**6. Service parts list**

- A: Item No.
- B: Code No.
- C: No. Used
- D: Remarks

**CAUTION**

Repair, modification and inspection of Hitachi Power Tools must be carried out by a Hitachi Authorized Service Center.

This Parts List will be helpful if presented with the tool to the Hitachi Authorized Service Center when requesting repair or other maintenance.

In the operation and maintenance of power tools, the safety regulations and standards prescribed in each country must be observed.

**MODIFICATIONS**

Hitachi Power Tools are constantly being improved and modified to incorporate the latest technological advancements.

Accordingly, some parts (i.e. code numbers and/or design) may be changed without prior notice.

**NOTE**

Due to HITACHI's continuing program of research and development, the specifications herein are subject to change without prior notice.

## ADVERTENCIAS DE SEGURIDAD GENERAL DE LA HERRAMIENTA ELÉCTRICA

### ADVERTENCIA

Lea todas las instrucciones y advertencias de seguridad.

*Si no se siguen las advertencias e instrucciones, podría producirse una descarga eléctrica, un incendio y/o daños graves.*

Guarde todas las advertencias e instrucciones para futura referencia.

*El término "herramienta eléctrica" en las advertencias hace referencia a la herramienta eléctrica que funciona con la red de suministro (con cable) o a la herramienta eléctrica que funciona con pilas (sin cable).*

#### 1) Seguridad del área de trabajo

- a) Mantenga la zona de trabajo limpia y bien iluminada.

*Las zonas desordenadas u oscuras pueden provocar accidentes.*

- b) No utilice las herramientas eléctricas en entornos explosivos como, por ejemplo, en presencia de líquidos inflamables, gases o polvo.

*Las herramientas eléctricas crean chispas que pueden inflamar el polvo o los humos.*

- c) Mantenga a los niños y transeúntes alejados cuando utilice una herramienta eléctrica.

*Las distracciones pueden hacer que pierda el control.*

#### 2) Seguridad eléctrica

- a) Los enchufes de las herramientas eléctricas tienen que ser adecuados a la toma de corriente.

**No modifique el enchufe.**

**No utilice enchufes adaptadores con herramientas eléctricas conectadas a tierra.**

*Si no se modifican los enchufes y se utilizan tomas de corriente adecuadas se reducirá el riesgo de descarga eléctrica.*

- b) Evite el contacto corporal con superficies conectadas a tierra como tuberías, radiadores y frigoríficos.

*Hay mayor riesgo de descarga eléctrica si su cuerpo está en contacto con el suelo.*

- c) No exponga las herramientas eléctricas a la lluvia o a la humedad.

*La entrada de agua en una herramienta eléctrica aumentará el riesgo de descarga eléctrica.*

- d) No utilice el cable incorrectamente. No utilice el cable para transportar, tirar de la herramienta eléctrica o desenrollarla.

**Mantenga el cable alejado del calor, del aceite, de bordes afilados o piezas móviles.**

*Los cables dañados o enredados aumentan el riesgo de descarga eléctrica.*

- e) Cuando utilice una herramienta eléctrica al aire libre, utilice un cable prolongador adecuado para utilizarse al aire libre.

*La utilización de un cable adecuado para usarse al aire libre reduce el riesgo de descarga eléctrica.*

- f) Si no se puede evitar el uso de una herramienta eléctrica en un lugar húmedo, utilice un suministro protegido mediante un dispositivo de corriente residual (RCD).

*El uso de un RCD reduce el riesgo de descarga eléctrica.*

#### 3) Seguridad personal

- a) Esté atento, preste atención a lo que hace y utilice el sentido común cuando utilice una herramienta eléctrica.

**No utilice una herramienta eléctrica cuando esté cansado o esté bajo la influencia de drogas, alcohol o medicación.**

*La distracción momentánea cuando utiliza herramientas eléctricas puede dar lugar a importantes daños personales.*

- b) Utilice un equipo de protección. Utilice siempre una protección ocular.

*El equipo de protección como máscara para el polvo, zapatos de seguridad antideslizantes, casco o protección para oídos utilizado para condiciones adecuadas reducirá los daños personales.*

- c) Evite un inicio involuntario. Asegúrese de que el interruptor está en "off" antes de conectar la herramienta a una fuente de alimentación y/o batería, cogerla o transportarla.

*El transporte de herramientas eléctricas con el dedo en el interruptor o el encendido de herramientas eléctricas con el interruptor encendido puede provocar accidentes.*

- d) Retire las llaves de ajuste antes de encender la herramienta eléctrica.

*Si se deja una llave en una pieza giratoria de la herramienta eléctrica podrían producirse daños personales.*

- e) No se extralimite. Mantenga un equilibrio adecuado en todo momento.

*Esto permite un mayor control de la herramienta eléctrica en situaciones inesperadas.*

- f) Vístase adecuadamente. No lleve prendas sueltas o joyas. Mantenga el pelo, la ropa y los guantes alejados de las piezas móviles.

*La ropa suelta, las joyas y el pelo largo pueden pillarse en las piezas móviles.*

- g) Si se proporcionan dispositivos para la conexión de extracción de polvo e instalaciones de recogida, asegúrese de que están conectados y se utilizan adecuadamente.

*La utilización de un sistema de recogida de polvo puede reducir los riesgos relacionados con el polvo.*

#### 4) Utilización y mantenimiento de las herramientas eléctricas

- a) No fuerce la herramienta eléctrica. Utilice la herramienta eléctrica correcta para su aplicación.

*La herramienta eléctrica correcta trabajará mejor y de forma más segura si se utiliza a la velocidad para la que fue diseñada.*

- b) No utilice la herramienta eléctrica si el interruptor no la enciende y apaga.

*Las herramientas eléctricas que no pueden controlarse con el interruptor son peligrosas y deben repararse.*

- c) Desconecte el enchufe de la fuente eléctrica y/o la batería de la herramienta eléctrica antes de hacer ajustes, cambiar accesorios o almacenar herramientas eléctricas.

*Estas medidas de seguridad preventivas reducen el riesgo de que la herramienta eléctrica se ponga en marcha accidentalmente.*

- d) Guarde las herramientas eléctricas que no se utilicen para que no las cojan los niños y no permita que utilicen las herramientas eléctricas personas no familiarizadas con las mismas o con estas instrucciones.



Las herramientas eléctricas son peligrosas si son utilizadas por usuarios sin formación.

- e) **Mantenimiento de las herramientas eléctricas.** Compruebe si las piezas móviles están mal alineadas o unidas, si hay alguna pieza rota u otra condición que pudiera afectar al funcionamiento de las herramientas eléctricas.

Si la herramienta eléctrica está dañada, llévela a reparar antes de utilizarla.

Se producen muchos accidentes por no realizar un mantenimiento correcto de las herramientas eléctricas.

- f) **Mantenga las herramientas de corte afiladas y limpias.**

Las herramientas de corte correctamente mantenidas con los bordes de corte afilados son más fáciles de controlar.

- g) **Utilice la herramienta eléctrica, los accesorios y las brocas de la herramienta, etc. de acuerdo con estas instrucciones, teniendo en cuenta las condiciones laborales y el trabajo que se va a realizar.**

La utilización de la herramienta eléctrica para operaciones diferentes a aquellas pretendidas podría dar lugar a una situación peligrosa.

## 5) Revisión

- a) **Lleve su herramienta a que la revise un experto cualificado que utilice sólo piezas de repuesto idénticas.**

Esto garantizará el mantenimiento de la seguridad de la herramienta eléctrica.

## PRECAUCIÓN

**Mantenga a los niños y a las personas enfermas alejadas.**

**Cuando no se utilicen, las herramientas deben almacenarse fuera del alcance de los niños y de las personas enfermas.**

## ADVERTENCIAS COMUNES DE SEGURIDAD PARA LAS OPERACIONES DE MOLIDO O CORTE ABRASIVO

- a) **Esta herramienta eléctrica está diseñada para utilizarse como amoladora o herramienta de corte.** Lea todas las advertencias de seguridad, instrucciones, ilustraciones y especificaciones proporcionadas con esta herramienta.

Si no se siguen todas las instrucciones indicadas a continuación, podría producirse una descarga eléctrica, un incendio y/o daños graves.

- b) **No se recomienda realizar operaciones como lijado, cepillado metálico o pulido con esta herramienta.**

Las operaciones para las que no se diseñó la herramienta eléctrica podrían producir un riesgo y causar daños personales.

- c) **No utilice accesorios que no estén diseñados y estén recomendados específicamente por el fabricante de la herramienta.**

El hecho de que el accesorio pueda acoplarse en la herramienta eléctrica no garantiza una operación segura.

- d) **La velocidad nominal del accesorio debe ser al menos igual a la velocidad máxima marcada en la herramienta eléctrica.**

Los accesorios que se utilizan con una velocidad superior a la indicada podrían romperse o descomponerse.

- e) **El diámetro externo y el grosor de su accesorio debe estar dentro de la clasificación de capacidad de su herramienta metálica.**

Los accesorios de tamaño incorrecto no pueden supervisarse o controlarse adecuadamente.

- f) **El tamaño de pérgola de las ruedas, bridas, almohadillas de respaldo u otros accesorios deben encajar correctamente en el eje de la herramienta metálica.**

Los accesorios con orificios de pérgola que no coincidan con la estructura de montaje de la herramienta eléctrica se desequilibrarán, vibrarán en exceso y pueden causar una pérdida de control.

- g) **No utilice un accesorio dañado. Antes de cada uso, inspeccione el accesorio, mirando si las ruedas abrasivas tienen grietas o roturas, las almohadillas de respaldo tienen grietas, rasgaduras o desgaste excesivo o el cepillo metálico está suelto o con el metal roto. Si se cae la herramienta eléctrica o el accesorio, inspeccione si está dañado o instale un accesorio sin dañar. Tras inspeccionar e instalar un accesorio, tanto usted como los viandantes deben alejarse del plano del accesorio giratorio y utilizar la herramienta eléctrica a máxima velocidad sin carga durante un minuto.**

Los accesorios dañados se romperán durante este periodo de prueba.

- h) **Utilice equipo protector personal. Dependiendo de la aplicación, utilice protector facial, gafas protectoras o gafas de seguridad. Si procede, utilice máscara para polvo, protectores auditivos, guantes y mono capaz de detener pequeños fragmentos abrasivos o piezas de trabajo.**

El protector ocular debe ser capaz de detener los desechos que salen desprendidos generados por las diferentes operaciones. La máscara para polvo o respirador debe ser capaz de filtrar partículas generadas por su operación. Una exposición prolongada a un ruido de intensidad elevada podría producir pérdida de audición.

- i) **Mantenga a los viandantes alejados del área de trabajo. Toda persona que entre en la zona de trabajo debe utilizar equipo de protección personal.**

Los fragmentos de un trabajo o un accesorio roto pueden salir despedidos y causar daños más allá del área de operación inmediata.

- j) **Sujete la herramienta eléctrica sólo por las superficies de agarre aisladas cuando realice una operación en la que el accesorio de corte pueda entrar en contacto con el cableado oculto o su propio cable.**

El accesorio de corte que contacta con un cable "vivo" puede hacer que las partes metálicas expuestas de la herramienta eléctrica pasen a estar "vivas" y produzcan una descarga en el operario.

- k) **Coloque el cable cerca del accesorio giratorio.**

Si pierde el control, podría cortarse el cable o engancharse y la mano o brazo podrían entrar en el accesorio giratorio.

- l) **No coloque boca abajo la herramienta eléctrica hasta que el accesorio se haya parado completamente.**

El accesorio giratorio podría agarrar la superficie y descontrolar la herramienta eléctrica.

- m) **No ponga en marcha la herramienta eléctrica cuando la lleve al lado.**

Un contacto accidental con el accesorio giratorio podría enganchar la ropa y el accesorio podría herirle.

- n) **Limpie regularmente los conductos de aire de la herramienta eléctrica.**

El ventilador del motor sacará el polvo de dentro del alojamiento y la acumulación excesiva de metal en polvo podría producir peligros eléctricos.

- o) No utilice la herramienta eléctrica cerca de materiales inflamables.**  
*Las chispas podrían quemar dichos materiales.*
- p) No utilice accesorios que requieran refrigerantes líquidos.**  
*Al utilizar agua u otros refrigerantes líquidos podría producirse una electrocución o descarga.*

---

## REBOTE Y ADVERTENCIAS RELACIONADAS

---

*El rebote es una reacción repentina a una rueda giratoria, almohadilla de soporte, cepillo u otro accesorio pinchado o enganchado. El pinchazo o enganche causa una parada rápida del accesorio giratorio que, a su vez, hace que la herramienta eléctrica no controlada vaya en la dirección opuesta del giro del accesorio en el punto de atasco.*

*Por ejemplo, si una rueda abrasiva es enganchada o pinchada por la pieza de trabajo, el borde de la rueda que entra en el punto de pinchazo puede enterrarse en la superficie del material haciendo que la rueda se salga. La rueda puede saltar hacia el operario o salir despedida de este, dependiendo de la dirección del movimiento de la rueda en el punto de pinchazo. Las ruedas abrasivas también pueden romperse bajo estas condiciones.*

*El rebote es el resultado de un uso incorrecto y/o procedimientos o condiciones operativos incorrectos de la herramienta eléctrica y puede evitarse tomando las precauciones adecuadas indicadas a continuación.*

- a) Agarre la herramienta eléctrica firmemente y coloque el cuerpo y el brazo para que pueda resistirse a las fuerzas de retroceso. Utilice siempre una agarradera auxiliar, si se proporciona, para un control máximo sobre el rebote o reacción del par durante la puesta en marcha.**

*El operario puede controlar las reacciones del par o las fuerzas de rebote, si se toman las precauciones adecuadas.*

- b) No coloque la mano cerca del accesorio giratorio.**  
*El accesorio puede rebotarse en la mano.*
- c) No coloque el cuerpo en la zona en la que la herramienta eléctrica se mueva si se produce un rebote.**

*El rebote impulsará a la herramienta en dirección opuesta al movimiento de la rueda en el punto de enganche.*

- d) Tenga especial cuidado cuando trabaje con esquinas, bordes afilados, etc. Evite rebotar y enganchar el accesorio.**

*Las esquinas, bordes afilados o el rebote tienden a enganchar el accesorio giratorio y causan la pérdida de control y rebote.*

- e) No coloque una cuchilla talladora de madera o cuchilla dentada en la sierra.**

*Dichas cuchillas a menudo producen rebote y pérdida de control.*

---

## ADVERTENCIAS DE SEGURIDAD ESPECÍFICAS PARA LAS OPERACIONES DE MOLIDO Y CORTE ABRASIVO

---

- a) Utilice sólo tipos de ruedas recomendados para su herramienta eléctrica y el protector específico diseñado para la rueda seleccionada.**

*Las ruedas para las que no se diseñó la herramienta eléctrica no pueden protegerse adecuadamente y no son seguras.*

- b) La protección debe colocarse firmemente en la herramienta eléctrica y colocarse para máxima seguridad, de forma que se expone al operario la cantidad mínima de rueda.**

*La protección ayuda a proteger al operario de los fragmentos de rueda rotos y del contacto accidental con la rueda.*

- c) Las ruedas deben utilizarse sólo para las aplicaciones recomendadas. Por ejemplo, no mueva con el lado de la rueda de corte.**

*Las ruedas de corte abrasivas están diseñadas para un molido periférico. Las fuerzas laterales aplicadas a estas ruedas pueden hacer que se rompan.*

- d) Utilice siempre bridas de ruedas sin dañar de tamaño y forma correcta para la rueda seleccionada.**

*Las bridas de rueda adecuadas soportan la rueda, reduciendo la posibilidad de rotura de rueda. Las bridas para ruedas de corte pueden ser diferentes de las bridas de rueda de molido.*

- e) No utilice ruedas de herramientas eléctricas más grandes.**

*La rueda diseñada para una herramienta eléctrica más grande no es adecuada para la velocidad superior de una herramienta inferior y podría estallar.*

---

## ADVERTENCIAS DE SEGURIDAD ADICIONALES PARA LAS OPERACIONES DE CORTE ABRASIVO

---

- a) No “atasque” la rueda de corte o aplique una presión excesiva. No trate de realizar un corte demasiado profundo.**

*Sobre tensionar la rueda hace que aumente la carga y la susceptibilidad a que se tuerza u obstruya la rueda en el corte y la posibilidad de rebote o rotura de la rueda.*

- b) No coloque el cuerpo alineado con o detrás de la rueda giratoria.**

*Cuando la rueda, en el punto de operación, salga disparada del cuerpo, el posible rebote podría impulsar la rueda giratoria y la herramienta eléctrica directamente hacia usted.*

- c) Cuando la rueda se atasque o se interrumpa un corte por algún motivo, apague la herramienta eléctrica y no mueva la herramienta eléctrica hasta que la rueda se detenga completamente. No trate de eliminar la rueda de corte del corte mientras la rueda esté en movimiento, ya que podría producirse un rebote.**

*Investigue y tome medidas correctoras para eliminar la causa del atasco de la rueda.*

- d) No reinicie la operación de corte en la pieza de trabajo. Deje que la rueda alcance plena velocidad y vuelva a entrar con cuidado en el corte.**

*La rueda puede atascarse, desplazarse o rebotar si se reinicia la herramienta eléctrica en la pieza de trabajo.*

---

## INSTRUCCIONES GENERALES DE SEGURIDAD PARA AMOLADORAS

---

- Compruebe que la velocidad marcada en la rueda es igual o superior a la velocidad media de la amoladora;
- Asegure que las dimensiones de la rueda son compatibles con la amoladora;
- Las ruedas abrasivas deben almacenarse y manipularse con cuidado de acuerdo con las instrucciones del fabricante;
- Inspeccione la rueda amoladora antes de utilizarla. No utilice productos descascarillados, agrietados o defectuosos;
- Asegure que las ruedas y puntos montados se ajustan a las instrucciones del fabricante;
- Asegure que se utilizan secantes cuando se proporcionan con el producto abrasivo y cuando se requiera;

- Asegure que le producto abrasivo está correctamente montado y ajustado antes de la utilización y ponga en marcha la herramienta sin carga durante 30 segundos en una posición segura; pare inmediatamente si hay vibración considerable o si se detectan otros defectos. Si ocurre esto, compruebe la máquina para determinar la causa;
- Si la herramienta se proporciona con una tapa, no utilice nunca la herramienta sin dicha tapa;
- No utilice cojinetes reductores o adaptadores diferentes para adaptar ruedas abrasivas de orificio grande;
- Para herramientas que se utilicen con rueda de orificio roscado, asegúrese de que la rosca de la rueda es lo suficientemente larga para aceptar la longitud del eje;
- Compruebe que la pieza de trabajo está bien sujeta;
- No utilice una rueda de recorte para el amole lateral;
- Asegúrese de que las chispas emitidas al utilizar la herramienta no crean ningún riesgo, es decir, no alcanzan a ninguna persona ni sustancia inflamable;
- Asegúrese de que las aperturas de ventilación están despejadas cuando trabaje en condiciones con polvo. Si es necesario limpiar el polvo, desconecte primero la herramienta de la toma de corriente (utilice objetos no metálicos) y evite dañar las piezas internas;
- Utilice siempre protección de ojos y de oídos, así como otro equipo protector personal como máscara de polvo, guantes, casco y mono;
- Preste atención a la rueda que sigue girando tras apagar la herramienta.

## ESPECIFICACIONES

Modelos		G10SR3	G12SR3	G13SR3
Voltaje (por áreas)*		(110 V, 115 V, 120 V, 127 V, 220 V, 230 V, 240 V) $\cup$		
Acometida*		730 W		
Velocidad marcha en vacío		10000/min		
Muela	Diámetro exterior x diámetro del orificio	100 x 16 mm	115 x 22,23 mm	125 x 22,23 mm
	Velocidad periférica	72 m/s	80 m/s	
Peso (Cuerpo principal solamente)		1,4 kg		

\* Verificar indefectiblemente los datos de la placa de características de la máquina, pues varían de acuerdo al país de destino.

## ACCESORIOS ESTÁNDAR

- (1) Llave para tuercas ..... 1  
 (2) Asidero lateral ..... 1  
 Los accesorios estándar están sujetos a cambio sin previo aviso.

## APLICACIONES

- Eliminación de rebabas de juntas y acabado de diversos tipos de acero, bronce y aluminio, materiales y fundiciones.
- Alisado de secciones soldadas o secciones cortadas por medio de soldadura.
- Alisado de resina sintética, pizarra, ladrillo, mármol, etc.

## ANTES DE LA PUESTA EN MARCHA

### 1. Alimentación

Asegurarse de que la alimentación de red que ha de ser utilizada responda a las exigencias de corriente especificadas en la placa de características del producto.

### 2. Conmutador de alimentación

Asegurarse de que el conmutador de alimentación esté en la posición OFF (desconectado). Si la clavija está conectada en la caja del enchufe mientras el conmutador de alimentación está en posición ON (conectado) las herramientas eléctricas empezarán a trabajar inmediatamente, provocando un serio accidente.

### 3. Cable de prolongación

Cuando está alejada el área de trabajo de la red de alimentación, usar un cable de prolongación de un grosor y potencia nominal suficiente. El cable de prolongación debe ser mantenido lo más corto posible.

### 4. Montar y ajustar la cubierta protectora de muela

La cubierta protectora de muela es un dispositivo protector para evitar heridas, en caso de que la muela de alisado se quiebre durante la operación. Asegurarse de que la cubierta protectora esté bien montada y apretada antes de comenzar con la operación de alisado.

Al soltar un poco el tornillo de ajuste, deja de girar la cubierta protectora de muela, por lo que se podrá poner en cualquier ángulo deseado para una efectividad máxima operacional. Asegurarse de que el tornillo de ajuste esté apretado firmemente después de ajustar la cubierta protectora.

### 5. Asegúrese de que las muelas y las puntas montadas se encuentren instaladas de acuerdo con las instrucciones del fabricante.

Asegurarse de que la muela de alisado a utilizar sea de tipo correcto y libre de rajadas o defectos de superficie. También asegurarse de que la muela de alisado esté montada debidamente y que la contratuerca de muela esté apretada firmemente. Dirigirse a la sección de "MONTAJE Y DESMONTAJE DE LA MUELA ALISADO". Asegúrese de que se utilicen discos de papel secante cuando estén provistos con el producto abrasivo ligado, y cuando sean requeridos.

No utilice casquillos reductores ni adaptadores para adaptar las muelas abrasivas de gran orificio.

Para las herramientas que se han de montar con muelas de orificio roscado, asegúrese de que la rosca de la muela sea lo suficientemente larga para poder aceptar el largo del husillo.

No utilice la muela de corte para el rectificado lateral.

## 6. Realizar una prueba

Asegúrese de que los productos abrasivos estén correctamente montados y apretados antes del uso, y haga funcionar la herramienta sin carga durante 30 segundos en una posición segura. Apáguela inmediatamente si nota una vibración considerable u otros defectos. Si se produce esta condición, inspeccione la herramienta para determinar la causa.

## 7. Confirme el botón

Confirme que el botón pulsador esté desactivado presionando el botón pulsador dos o tres veces antes de conectar la alimentación de la herramienta eléctrica (vea la Fig. 2).

## 8. Instalación del asidero lateral

Atornille el asidero lateral en la cubierta de engranaje.

## APLICACIÓN PRACTICA DEL ALISADOR

### 1. Presión

Para prolongar la vida de la máquina y asegurar un acabado de primera clase, es importante que la máquina no sea recalentada aplicando demasiada presión. En la mayoría de las aplicaciones el sólo peso de la máquina, es suficiente para un alisado efectivo. Demasiada presión ocasionaría una reducida velocidad rotacional, inferior acabado de superficie y recalentamiento que reduciría la vida de la máquina.

### 2. Angulo de alisado

No aplicar toda la superficie de la muela de alisado al material a alisar. Como muestra en Fig. 1, la máquina deberá ser mantenida en un ángulo de 15° – 30° de tal manera que el canto externo de la muela de alisado contacte la pieza de trabajo en un ángulo óptimo.

### 3. Para prevenir que una nueva muela de alisado cave la pieza de trabajo, el alisado inicial debe ser llevado a cabo tirando de la amoladora por encima de la pieza de trabajo hacia el operario (Fig. 1 dirección B). Una vez que el canto directriz de la muela de alisado esté bien raspado, el alisado puede ser realizado en cualquier dirección.

### 4. Precauciones inmediatamente después de haber acabado la operación

La muela continuará girando después de apagar la herramienta.

Después de desconectar la máquina no posarla antes de que la muela de alisado se haya parado completamente. Aparte de evitar serios accidentes, esta precaución reduciría la cantidad de polvo y limaduras absorbidos por la máquina.

### PRECAUCIÓN

- Compruebe que la pieza de trabajo esté correctamente soportada.
- Cuando trabaje en ambientes polvorientos, asegúrese de que las aberturas de ventilación se mantengan libres de obstrucciones.  
Si llegara a ser necesario eliminar el polvo, primero desconecte la herramienta del tomacorriente de la red (use objetos no metálicos) y evite que se dañen las piezas internas.
- Asegúrese de que las chispas resultantes del uso no representen peligro alguno, por ejemplo, que no alcancen a las personas, ni que incendien sustancias inflamables.
- Utilice siempre protectores oculares y auriculares.  
Otros equipos de protección personal, como máscara contra el polvo, guantes, casco y delantal se deben usar según se requiera.  
En caso de dudas, utilice el equipo de protección.
- Cuando no se usa la máquina, debe estar desconectada la acometida de red.

## MONTAJE Y DESMONTAJE DE LA MUELA ALISADO (Fig. 2)

### PRECAUCIÓN

Cerciórese de desconectar la alimentación y desenchufe el enchufe de la toma de alimentación de la red para evitar averías serias.

#### 1. Montaje (Fig. 2)

- (1) Coloque la amoladora angular boca abajo de manera que el eje quede hacia arriba.
- (2) Alinee la distancia entre caras de la arandela de rueda con la parte muescada del eje, y luego fíjelas.
- (3) Encaje la protuberancia de la muela de alisado en la arandela molar.
- (4) Enrosque la tuerca de rueda en el eje.
- (5) Mientras empuja el botón pulsador con una mano, bloquee el eje haciendo girar lentamente la rueda de disco abombado con una mano.  
Apriete la tuerca de rueda utilizando la llave suministrada, de la manera mostrada en la Fig. 2.

#### 2. Desmontaje

Seguir los procedimientos antedichos a la inversa.

### PRECAUCIÓN

- Confirme que la muela de alisado esté firmemente montada.
- Confirmar que el botón esté desactivado presionando el botón dos o tres veces antes de conectar la alimentación de la herramienta eléctrica.

## MANTENIMIENTO E INSPECCIÓN

### 1. Inspeccionar la muela de alisado

Asegurarse de que la muela de alisado esté libre de rajadas y defectos en la superficie.

### 2. Inspeccionar los tornillos de montaje

Regularmente inspeccionar todos los tornillos de montaje y asegurarse de que estén apretados firmemente. Si cualquier tornillo estuviera suelto, volver a apretarlo inmediatamente. El no hacer esto provocaría un riesgo serio.

### 3. Inspección de las escobillas

Por motivos de seguridad contra descargas eléctricas, la inspección y el reemplazo de las escobillas deberán realizarse SOLAMENTE en un CENTRO DE SERVICIO AUTORIZADO POR HITACHI.

### 4. Reemplazo del cable de alimentación

Si el cable de alimentación de la herramienta está dañado, envíe la herramienta al Centro de Servicio Autorizado de Hitachi para que le cambien el cable de alimentación.

### 5. Mantenimiento de motor

#### ADVERTENCIA

Utilice siempre gafas de protección y mascarilla para polvo cuando sople aire del orificio de aire de la cubierta de la cola con una pistola de aire, etc.  
De lo contrario podría expulsarse polvo, inhalándose o entrando en los ojos.

La unidad de bobinado del motor es el verdadero "corazón" de las herramientas eléctricas. Prestar el mayor cuidado a asegurarse de que el bobinado no se dañe y/o se humedezca con aceite o agua.

#### NOTA

Cuando haya terminado el trabajo, aplique aire sin humedad desde el orificio de aire de la cubierta trasera con una pistola de aire, etcétera, usando el motor sin ninguna carga. Esto es eficaz para eliminar cualquier suciedad o polvo que se haya acumulado. La suciedad y el polvo acumulados dentro del motor pueden provocar fallas.

**6. Lista de repuestos**

A: N° ítem

B: N° código

C: N° usado

D: Observaciones

**PRECAUCIÓN**

La reparación, modificación e inspección de las herramientas eléctricas Hitachi deben ser realizadas por un Centro de Servicio Autorizado de Hitachi.

Esta lista de repuestos será de utilidad si es presentada junto con la herramienta al Centro de Servicio Autorizado de Hitachi, para solicitar la reparación o cualquier otro tipo de mantenimiento.

En el manejo y el mantenimiento de las herramientas eléctricas, se deberán observar las normas y reglamentos vigentes en cada país.

**MODIFICACIONES**

Hitachi Power Tools introduce constantemente mejoras y modificaciones para incorporar los últimos avances tecnológicos.

Por consiguiente, algunas partes (por ejemplo, números de códigos y/o diseño) pueden ser modificadas sin previo aviso.

---

**NOTA**

Debido al programa continuo de investigación y desarrollo de HITACHI estas especificaciones están sujetas a cambio sin previo aviso.

---

## ADVERTÊNCIAS GERAIS DE SEGURANÇA PARA A FERRAMENTA ELÉTRICA

### ADVERTÊNCIA

Leia todas as instruções e advertências de segurança. Deixar de seguir as instruções e as advertências pode provocar um choque elétrico, incêndio e/ou ferimentos graves.

Guarde todas as advertências e instruções para futuras consultas.

O termo “ferramenta elétrica” em todas as advertências refere-se à sua ferramenta conectada à corrente (com um cabo de alimentação) ou à ferramenta elétrica alimentada por bateria (sem um cabo de alimentação).

#### 1) Segurança da área de trabalho

a) Mantenha a área de trabalho limpa e bem iluminada.

*As áreas escuras ou cheias de material são propícias a acidentes.*

b) Não trabalhe com ferramentas elétricas em ambientes explosivos, tais como na presença de líquidos inflamáveis, gases ou pó.

*As ferramentas elétricas criam faíscas que podem inflamar os gases ou pó.*

c) Mantenha as crianças e outras pessoas afastadas quando trabalhar com uma ferramenta elétrica.

*As distrações podem fazer com que perca controle.*

#### 2) Segurança elétrica

a) Os plugues da ferramenta elétrica devem corresponder às tomadas.

*Nunca modifique o plugue.*

**Não use plugues de adaptação com ferramentas elétricas conectadas à terra.**

*Os plugues inalterados e tomadas correspondentes reduzirão o risco de choques elétricos.*

b) Evite o contato corporal com superfícies conectadas à terra, tais como canos, radiadores, fogões e geladeiras.

*Existe um risco maior de choque elétrico se o seu corpo estiver conectado à terra.*

c) Não exponha ferramentas elétricas à chuva ou condições de umidade.

*A entrada de água numa ferramenta elétrica aumentará o risco de choques elétricos.*

d) Não abuse do cabo de alimentação. Nunca use o cabo para transportar, puxar ou desligar a ferramenta elétrica.

**Mantenha o cabo afastado do calor, óleo, bordas agudas ou peças móveis.**

*Fios danificados ou entrelaçados podem aumentar o risco de choques elétricos.*

e) Quando trabalhar com uma ferramenta elétrica ao ar livre, use uma extensão adequada para uso em exteriores.

*O uso de um cabo adequado para uso ao ar livre reduz o risco de choques elétricos.*

f) Se não for possível evitar o uso de uma máquina elétrica num local úmido, use uma fonte de alimentação protegida por um dispositivo de corrente residual (RCD).

*O uso de um RCD reduz o risco de choques elétricos.*

#### 3) Segurança pessoal

a) Mantenha-se alerta, esteja atento ao que estiver fazendo e use o bom senso ao trabalhar com uma ferramenta elétrica.

**Não use uma ferramenta elétrica quando estiver cansado ou sob a influência de drogas, álcool ou medicamentos.**

*Um momento de desatenção enquanto trabalha com ferramentas elétricas pode resultar em ferimentos pessoais graves.*

b) Use o equipamento de proteção pessoal. Use sempre protetores para os olhos.

*O equipamento de proteção, tal como uma máscara de pó, sapatos de segurança antiderrapantes, capacete ou protetores auditivos usados para condições adequadas reduzirá os ferimentos pessoais.*

c) Evite ligar a ferramenta acidentalmente. Certifique-se de que o interruptor esteja na posição de desligado antes de conectar a fonte de alimentação e/ou bateria, levantar ou transportar a ferramenta.

*Transportar ferramentas elétricas com o dedo no interruptor ou ativar ferramentas que estão com o interruptor ligado é perigoso e aumenta a probabilidade de acidentes.*

d) Remova qualquer chave de parafusos ou chave de aperto antes de ligar a ferramenta.

*Uma chave de aperto ou de parafusos instalada na parte rotativa da ferramenta pode provocar ferimentos pessoais.*

e) Não se estique. Mantenha sempre o controle e equilíbrio adequados.

*Isso lhe permite obter um melhor controle da ferramenta em situações inesperadas.*

f) Vista-se adequadamente. Não use roupas largas ou jóias. Mantenha o cabelo e luvas afastados das peças móveis.

*As roupas largas, jóias ou cabelo comprido podem ser apanhados em peças móveis.*

g) Se forem fornecidos componentes para a conexão de dispositivos de extração e coleta de pó, certifique-se de que os mesmos sejam conectados e usados adequadamente.

*O uso de um coletor de pó pode reduzir os perigos relacionados com o pó.*

#### 4) Uso da ferramenta e manutenção

a) Não force a ferramenta elétrica. Use a ferramenta correta para a sua aplicação.

*A ferramenta correta fará o trabalho melhor e com mais segurança à velocidade para a qual foi concebida.*

b) Não use a ferramenta elétrica se o interruptor não a ligar ou desligar.

*Qualquer ferramenta que não possa ser controlada pelo interruptor é perigosa e deve ser reparada.*

c) Desligue o plugue da rede elétrica e/ou a bateria da ferramenta elétrica antes de efetuar quaisquer ajustes, mudar os acessórios ou guardar a ferramenta elétrica.

*Tais medidas preventivas de segurança reduzem o risco de ligar a ferramenta elétrica acidentalmente.*

d) Guarde as ferramentas elétricas fora do alcance de crianças e não permita que pessoas não habituadas à ferramenta elétrica ou estas instruções trabalhem com a ferramenta.

*As ferramentas elétricas são perigosas nas mãos de usuários inexperientes.*

e) Efetue a manutenção de ferramentas elétricas. Verifique a existência de desalinhamentos ou curvaturas das peças móveis, rupturas de peças e quaisquer outras condições que possam afetar o funcionamento das ferramentas elétricas.

**Se encontrar qualquer dano, solicite o conserto da ferramenta antes de usá-la.**

*Muitos acidentes são causados por ferramentas com manutenção inadequada.*

- f) **Mantenha as ferramentas de corte afiadas e limpas.**

*As ferramentas de corte com uma manutenção adequada e extremidades afiadas são menos propensas a curvar-se e mais fáceis de controlar.*

- g) **Use a ferramenta elétrica, acessórios e brocas de ferramentas, etc., de acordo com estas instruções, levando em consideração as condições de trabalho e o trabalho a ser efetuado.**

*O uso de uma ferramenta elétrica para operações diferentes das concebidas pode resultar num mau funcionamento.*

## 5) Manutenção

- a) **A manutenção da sua ferramenta elétrica deve ser realizada por pessoal técnico qualificado e somente peças idênticas devem ser usadas para substituição de peças defeituosas.**

*Isso garantirá que a segurança da ferramenta elétrica seja mantida.*

## PRECAUÇÃO

**Mantenha afastadas das crianças e pessoas debilitadas.**

**Quando não estiverem sendo usadas, as ferramentas devem ser guardadas fora do alcance de crianças e pessoas debilitadas.**

## ADVERTÊNCIAS DE SEGURANÇA COMUNS PARA OPERAÇÕES DE RETIFICAÇÃO OU CORTE ABRASIVO

- a) **Esta ferramenta elétrica foi concebida para funcionar como retificadora ou ferramenta de corte. Leia todos os avisos de segurança, instruções, ilustrações e especificações que acompanham esta ferramenta elétrica.**

*Deixar de seguir todas as instruções apresentadas a seguir pode resultar em choques elétricos, incêndio e/ou ferimentos graves.*

- b) **Não é recomendado o uso desta máquina elétrica para operações como lixamento, limpeza com escova metálica ou polimento.**

*As operações para as quais a máquina elétrica não foi concebida podem criar perigos e causar ferimentos.*

- c) **Não use acessórios que não sejam especificamente concebidos e recomendados pelo fabricante da ferramenta.**

*O fato de um acessório se adaptar à ferramenta elétrica não é garantia de uma operação segura.*

- d) **A velocidade nominal do acessório deve ser, pelo menos, igual à velocidade máxima marcada na ferramenta elétrica.**

*O uso de acessórios com velocidades mais rápidas que sua velocidade nominal pode fazer com que tais acessórios quebrem e sejam projetados.*

- e) **O diâmetro exterior e a espessura do acessório devem estar dentro da capacidade nominal da ferramenta elétrica.**

*Os acessórios de tamanho incorreto não podem ser devidamente protegidos ou controlados.*

- f) **O tamanho do eixo das rodas, flanges, almofadas de apoio, ou de quaisquer outros acessórios devem ajustar-se devidamente no eixo da ferramenta elétrica.**

*Os acessórios com orifícios de eixo que não se ajustem no hardware de montagem da ferramenta elétrica podem soltar-se, vibrar excessivamente, e podem provocar a perda do controle.*

- g) **Não use um acessório danificado. Antes de cada uso, realize a inspeção dos acessórios, como rodas de esmeril para ver se há lascas ou fissuras, almofadas de apoio para ver se há fissuras, desgaste ou uso excessivo, e escova metálica para ver se há fios soltos ou partidos. Se você derrubar a ferramenta elétrica ou um acessório, realize a inspeção para ver se há danos ou instale um acessório não danificado. Após a inspeção e instalação de um acessório, mantenha-se você mesmo e as pessoas ao redor fora do raio de ação do acessório rotativo e coloque a ferramenta elétrica em funcionamento na velocidade máxima sem carga, durante um minuto. Normalmente, os acessórios danificados partem-se no decorrer deste teste.**

- h) **Use equipamento de proteção pessoal. Dependendo da aplicação, use uma máscara, luvas ou óculos de segurança. Conforme seja apropriado, use uma máscara de pó, protetores auditivos, luvas e avental de proteção, para proteger-se contra pequenos fragmentos da abrasão ou das peças.**

*A proteção para os olhos deve ser capaz de reter fragmentos projetados, gerados por diversas operações. A máscara de pó ou respirador deve ser capaz de filtrar partículas emitidas durante a operação. A exposição prolongada a ruídos de grande intensidade pode causar a perda de audição.*

- i) **As pessoas que se encontrem por perto devem ser mantidas a uma distância de segurança. Qualquer pessoa que entre na área de trabalho deve usar equipamento de proteção pessoal.**

*Fragmentos de peças ou de acessórios quebrados podem ser projetados e causar ferimentos além da área imediata de operação.*

- j) **Segure a ferramenta elétrica somente pelas superfícies isoladas ao realizar uma operação em que o acessório de corte possa conter fios ocultos ou o seu próprio cabo.**

*O acessório de corte, em contato com um cabo de alimentação, pode passar a corrente para as partes metálicas expostas da ferramenta elétrica e causar um choque no operador.*

- k) **Coloque o cabo afastado do acessório rotativo. Caso perca o controle, o cabo pode ser cortado ou puxado e a sua mão ou braço podem ser puxados para o acessório rotativo.**

- l) **Nunca pouse a ferramenta de corte até que o acessório esteja completamente imobilizado. O acessório rotativo pode agarrar a superfície e puxar a ferramenta elétrica para fora do seu controle.**

- m) **Não coloque a ferramenta elétrica em funcionamento enquanto a transporta ao seu lado.**

*O contato acidental com o acessório rotativo pode agarrar a sua roupa, puxando o acessório para o seu corpo.*

- n) **Limpe regularmente os respiradouros da ferramenta elétrica.**

*O ventilador do motor aspirará o pó para dentro do alojamento e a acumulação excessiva de metal em pó pode causar perigos elétricos.*

- o) **Não opere a ferramenta elétrica perto de materiais inflamáveis.**

*As faíscas podem inflamar esses materiais.*

- p) **Não use acessórios que requeiram líquidos de refrigeração.**

*O uso de água ou de outros líquidos de refrigeração pode causar a eletrocussão ou choque elétrico.*

## CONTRA-GOLPE E ADVERTÊNCIAS RELACIONADAS

*O contra-golpe é uma reação brusca ao agarramento ou emperramento de uma roda de esmeril, almofada de apoio, escova ou qualquer outro acessório. A ação de agarrar-se ou emperrar-se causa um rápido retardamento do acessório rotativo, o que, por sua vez, faz que a ferramenta elétrica não controlada seja forçada na direção oposta da rotação do acessório no ponto de agarramento.*

*Por exemplo, se uma roda de esmeril for emperrada ou agarrada pela peça a ser trabalhada, a borda da roda no ponto de agarramento pode penetrar na superfície do material, fazendo que a roda saia de posição ou salte. Dependendo da direção do movimento da roda no ponto de agarramento, a roda pode saltar na direção do operador ou para longe dele. As rodas de esmeril também podem quebrar-se nestas condições.*

*O contra-golpe é o resultado do mau uso da ferramenta elétrica e/ou de procedimentos ou condições de operação incorretos, podendo ser evitado se forem tomadas as devidas precauções dadas a seguir.*

- a) **Segure a ferramenta elétrica firmemente e posicione o seu corpo e braço de forma que permita resistir às forças do contra-golpe. Use sempre o cabo auxiliar, se fornecido, para obter o máximo controle sobre os contra-golpes ou reações de torque durante o início da operação.**

*Caso sejam tomadas as devidas precauções, o operador será capaz de controlar as reações de torque ou as forças de contra-golpes.*

- b) **Nunca coloque a mão perto do acessório rotativo. O acessório pode causar um contra-golpe na sua mão.**
- c) **Não posicione o corpo na área onde a ferramenta elétrica possa mover-se no caso de um contra-golpe.**

*O contra-golpe impulsionará a ferramenta na direção oposta ao movimento da roda de esmeril no ponto de agarramento.*

- d) **Tome especial cuidado ao trabalhar cantos, bordas agudas, etc. Evite oscilar ou pressionar o acessório.**

*Cantos, bordas agudas ou oscilação tendem a emperrar o acessório rotativo e causar a perda de controle ou contra-golpe.*

- e) **Não use uma lâmina de entalhadura ou lâmina dentada para serra.**

*Tais lâminas criam, freqüentemente, contra-golpes e perda de controle.*

- c) **As rodas só devem ser usadas para as aplicações recomendadas. Por exemplo, não retifique com o lado da roda de corte.**

*As rodas de corte abrasivo são concebidas para retificação periférica, e as forças laterais aplicadas a estas rodas podem causar sua ruptura.*

- d) **Use sempre flanges de roda não danificados, de tamanho e forma apropriados para a roda selecionada.**

*Flanges de roda adequados suportam a roda, reduzindo assim a possibilidade de ruptura da roda. Os flanges para rodas de corte podem ser diferentes daqueles para rodas de esmeril.*

- e) **Não use rodas gastas de ferramentas elétricas maiores.**

*As rodas concebidas para ferramentas elétricas maiores não são adequadas para a velocidade mais alta de uma ferramenta menor e podem rebentar.*

## ADVERTÊNCIAS DE SEGURANÇA ADICIONAIS, ESPECÍFICAS PARA OPERAÇÕES DE CORTE ABRASIVO

- a) **Não “obstrua” a roda de corte nem aplique pressão excessiva à mesma. Não tente fazer um corte demasiadamente profundo.**

*O excesso de pressão na roda aumenta a carga e a susceptibilidade para torção e emperramento da roda, e a possibilidade de contra-golpe ou quebra da roda.*

- b) **Não posicione o seu corpo alinhado com e atrás da roda rotativa.**

*Quando a roda, no ponto de operação, está se movendo para longe do seu corpo, o contra-golpe possível pode projetar a roda rotativa e a ferramenta elétrica diretamente na sua direção.*

- c) **Quando a roda está se agarrando ou quando você interromper um corte por qualquer motivo, desligue a ferramenta elétrica e não a movimente até que a roda pare completamente. Nunca tente retirar a roda de corte enquanto a mesma estiver em movimento, pois isso pode provocar um contra-golpe.**

*Investigue e tome uma medida corretiva para eliminar a causa do emperramento da roda.*

- d) **Não reinicie a operação de corte na peça. Permita que a roda alcance a velocidade máxima e retome o corte cuidadosamente.**

*Caso a ferramenta elétrica seja reiniciada na peça, a roda pode emperrar-se, sair de posição ou causar um contra-golpe.*

## ADVERTÊNCIAS ESPECÍFICAS DE SEGURANÇA PARA OPERAÇÕES DE RETIFICAÇÃO E CORTE ABRASIVO

- a) **Use somente os tipos de rodas de esmeril recomendados para a ferramenta elétrica e a proteção específica concebida para a roda selecionada.**

*As rodas para os quais a ferramenta elétrica não foi concebida não poderão ser adequadamente protegidas e não são seguras.*

- b) **A proteção deve ser anexada à ferramenta elétrica de forma segura e posicionada para máxima segurança, para que a porção exposta da roda na direção do operador seja a menor possível.**

*A proteção ajuda a proteger o operador contra fragmentos de uma roda quebrada e contra o contato com a roda.*

## INSTRUÇÕES DE SEGURANÇA GERAIS PARA RETIFICADORAS

- Verifique se a velocidade marcada na roda é igual ou superior à velocidade nominal da retificadora;
- Certifique-se de que as dimensões do disco sejam compatíveis com a retificadora;
- As rodas de abrasão devem ser guardadas e manuseadas com cuidado, de acordo com as instruções do fabricante;
- Inspeccione a roda de esmeril antes de usá-la, e não use produtos lascados, rachados ou defeituosos;
- Certifique-se de que as rodas e pontos sejam instalados de acordo com as instruções do fabricante;
- Certifique-se de usar mata-borrões quando forem fornecidos com o produto abrasivo ligado e quando forem necessários;



- Certifique-se de o produto abrasivo esteja corretamente instalado e apertado antes de usar e coloque a ferramenta em funcionamento sem carga durante 30 segundos numa posição segura, e pare imediatamente se existirem vibrações consideráveis ou se forem detectados outros defeitos. Se isso ocorrer, verifique a máquina para determinar a causa;
- Se a ferramenta for instalada com uma proteção, nunca use a ferramenta sem tal proteção;
- Não use buchas ou adaptadores de redução para adaptar rodas de esmeril com orifícios grandes;
- Para as ferramentas destinadas ao uso com um orifício roscado, certifique-se de que a rosca na roda seja suficientemente comprida para aceitar o comprimento do eixo;
- Certifique-se de que a peça de trabalho esteja corretamente apoiada;
- Não use uma roda de corte para retificação lateral;
- Certifique-se de que as faíscas resultantes do uso não apresentem nenhum perigo; por exemplo, não atinjam pessoas nem inflamem substâncias inflamáveis.
- Certifique-se de que as aberturas de ventilação estejam desobstruídas em situações de muito pó, e caso seja necessário remover o pó, desconecte primeiro a ferramenta da fonte de alimentação (use objetos não metálicos) e evite danificar as peças internas;
- Use sempre proteção para os olhos e ouvidos. Devem ser usados outros equipamentos de proteção, tais como máscaras para pó, luvas, capacetes e aventais;
- Preste atenção à roda, que continua a girar após a ferramenta ser desligada.

## ESPECIFICAÇÕES

Modelo	G10SR3	G12SR3	G13SR3	
Voltagem (por áreas)*	(110 V, 115 V, 120 V, 127 V, 220 V, 230 V, 240 V) $\curvearrowright$			
Potência de entrada*	730 W			
Rotação sem carga	10000/min			
Roda Esmeril	Diâmetro externo × diâmetro do furo	100 × 16 mm	115 × 22,23 mm	125 × 22,23 mm
	Velocidade periférica	72 m/s	80 m/s	
Peso (Somente do corpo principal)	1,4 kg			

\* Certifique-se de verificar a voltagem na placa de identificação no produto, pois ela está sujeita a alterações conforme a área.

## ACESSÓRIOS PADRÕES

- (1) Chave de aperto ..... 1  
 (2) Cabo lateral ..... 1  
 Os acessórios padrões estão sujeitos a modificações sem aviso prévio.

## APLICAÇÕES

- Remoção de rebarbas de fundição e acabamento de vários tipos materiais e fundições de aço, bronze e alumínio.
- Retificação de partes soldadas ou seções cortadas por meio de um maçarico de recorte.
- Retificação de resinas sintéticas, ardósias, tijolos, mármore, etc.

## ANTES DA OPERAÇÃO

### 1. Fonte de energia

Certifique-se de que a fonte de energia que será usada satisfaça as exigências especificadas na placa de identificação do produto.

### 2. Interruptor de alimentação

Certifique-se de que o interruptor de alimentação esteja na posição de desligado (OFF). Se o plugue for conectado a uma tomada elétrica com o interruptor na posição de ligado (ON), a ferramenta elétrica começará a funcionar imediatamente, podendo provocar um grave acidente.

### 3. Cabo de extensão

Quando o local de trabalho não possuir uma fonte de energia, use um cabo de extensão de espessura e de potência nominal suficientes. A extensão deve ser mantida o mais curta possível.

### 4. Colocação e ajuste do protetor de roda

O protetor da roda é um dispositivo para evitar ferimentos caso a roda de esmeril de centro deprimido quebre durante a operação. Certifique-se de que o protetor esteja colocado e preso corretamente antes de começar a operação de retificação.

Ao afrouxar o parafuso de ajuste ligeiramente, o protetor de roda pode ser girado e colocado em qualquer ângulo desejado para uma máxima eficácia operacional. Certifique-se de verificar se o parafuso de ajuste está firmemente apertado depois de ajustar o protetor de roda.

### 5. Certifique-se de que as rodas de esmeril e os pontos sejam apropriados de acordo com as instruções do fabricante.

Certifique-se de que a roda de esmeril de centro deprimido que usará seja do tipo certo, livre de fissuras ou defeitos na superfície. Certifique-se de também de que a roda de esmeril de centro deprimido seja montada corretamente e de que a porca da roda seja bem apertada. Consulte a seção "MONTAGEM E DESMONTAGEM DA RODA DE ESMERIL DE CENTRO DEPRIMIDO".

Certifique-se de usar mata-borrões quando forem fornecidos com o produto abrasivo ligado e quando forem necessários.

Não use buchas ou adaptadores de redução para adaptar rodas de esmeril com orifícios grandes.

Em caso de ferramentas que devem ser ajustadas a discos que possuem orifícios rosqueados, certifique-se de que a rosca do disco seja comprida o suficiente em relação ao comprimento do eixo.

Não use rodas de corte para retificação lateral.

## 6. Teste de funcionamento

Certifique-se de que o produto abrasivo seja montado e apertado corretamente antes de ser usado. Coloque a ferramenta em funcionamento sem carga por 30 segundos numa posição segura e, se houver vibração considerável ou se forem detectados outros defeitos, desligue-a imediatamente. Caso isto ocorra, cheque a máquina para determinar a causa do defeito.

## 7. Verificação do botão de pressão

Confira se o botão de pressão se desengata pressionando-o duas ou três vezes antes de ligar a ferramenta (veja Fig. 2).

## 8. Fixação do cabo lateral

Aparafuse o cabo lateral na tampa da engrenagem.

## APLICAÇÃO PRÁTICA DA RETIFICADORA

### 1. Pressão

Para prolongar a vida útil da máquina e garantir um acabamento de primeira, é importante que ela não seja sobrecarregada pela aplicação de demasiada pressão. Na maior parte das aplicações, apenas o peso da máquina é suficiente para uma retificação eficaz. Uma pressão demasiada pode resultar numa velocidade de rotação reduzida, num acabamento inferior da superfície e na sobrecarga, o que poderia reduzir a vida útil da máquina.

### 2. Ângulo de retificação

Não aplique a superfície inteira da roda de esmeril de centro deprimido no material a ser retificado. Como mostrado na Fig. 1, a máquina deve ser mantida num ângulo de 15°-30° de maneira que a borda externa da roda de esmeril de centro deprimido entre em contato com o material num ângulo ideal.

3. Para evitar que uma nova roda de esmeril de centro deprimido abra um buraco na peça que está sendo trabalhada, a retificação inicial deve ser feita puxando-se a retificadora sobre a peça em direção ao operador. (Fig. 1, direção B). Depois que a borda inicial da roda de esmeril de centro deprimido estiver limada corretamente, a retificação pode ser feita numa ou noutra direção.

### 4. Precauções a serem tomadas logo após a conclusão da operação

A roda de esmeril continua a girar mesmo após a ferramenta ser desligada.

Logo após desligar a máquina, continue segurando-a, sem apoiá-la, até que a roda de esmeril pare completamente de girar. Além de evitar graves acidentes, esta precaução reduzirá a quantidade de poeira e de limalhas de ferro aspiradas pela máquina.

### PRECAUÇÃO

- Certifique-se de a peça a ser trabalhada esteja apoiada corretamente.
- Certifique-se de que as aberturas de ventilação sejam mantidas limpas ao trabalhar em ambientes poeirentos. Caso seja necessário limpar a poeira, desconecte primeiro a ferramenta da rede elétrica (use objetos não metálicos) e evite danificar as peças internas.
- Certifique-se de que as faíscas resultantes do uso não provoquem perigo, não atingindo, por exemplo, pessoas ou substâncias inflamáveis.
- Use sempre óculos de proteção e tampões de ouvido. Outros equipamentos pessoais de proteção como máscara contra poeira, luvas, capacete e avental devem ser usados quando for necessário.
- Em caso de dúvidas, use equipamento de proteção.
- Quando a máquina não estiver sendo usada, desconecte-a da rede elétrica.

## MONTAGEM E DESMONTAGEM DA RODA ESMERIL DE CENTRO DEPRIMIDO (Fig. 2)

### PRECAUÇÃO

Certifique-se de desligar a alimentação e de desconectar o plugue da tomada elétrica para evitar graves acidentes.

#### 1. Montagem (Fig. 2)

- (1) Gire a retificadora de cabeça para baixo de maneira que o eixo fique virado para cima.
- (2) Alinhe as reentrâncias transversais da arruela da roda com a parte dentada do eixo, prendendo-os depois.
- (3) Ajuste a protuberância da roda de esmeril de centro deprimido na arruela da roda.
- (4) Aparafuse a porca da roda no eixo.
- (5) Enquanto pressiona o botão de pressão com uma mão, bloqueie o eixo girando a roda de esmeril de centro deprimido lentamente com a outra mão. Aperte a porca da roda usando a chave de aperto fornecida, como mostrado na Fig. 2.

#### 2. Desmontagem

Siga o procedimento acima na ordem inversa.

### PRECAUÇÃO

- Certifique-se de que a roda de esmeril de centro deprimido esteja montada firmemente.
- Confira se o botão de pressão se desengata pressionando o botão de pressão duas ou três vezes antes de ligar a ferramenta elétrica.

## MANUTENÇÃO E INSPEÇÃO

### 1. Inspeção da roda de esmeril de centro deprimido

Certifique-se de que a roda de esmeril de centro deprimido esteja livre de fissuras e defeitos na superfície.

### 2. Inspeção dos parafusos de montagem

Inspeccione regularmente todos os parafusos de montagem e certifique-se de que estejam corretamente apertados. Se algum deles estiver frouxo, reaperte-o imediatamente. Deixar de fazer isso pode resultar em graves perigos.

### 3. Inspeção das escovas de carvão

Para sua segurança duradoura e proteção contra choques elétricos, a inspeção das escovas de carvão e a substituição delas nesta ferramenta deve ser feita APENAS numa OFICINA AUTORIZADA DA HITACHI.

### 4. Substituição do cabo de alimentação

Se o cabo de alimentação estiver danificado, a Ferramenta deve ser levada à Oficina Autorizada da Hitachi para substituição do mesmo.

### 5. Manutenção do motor

#### ADVERTÊNCIA

Use sempre óculos de proteção e máscaras anti-poeiras ao ventilar a partir do orifício de ar da tampa traseira utilizando uma pistola de ar, etc.

Caso contrário, pode resultar na inalação das poeiras projectadas ou fazer com que estas entrem para os olhos.

O enrolamento da unidade do motor é o verdadeiro “coração” da ferramenta elétrica. Tome cuidado para assegurar que o enrolamento não se danifique e/ou se molhe com óleo ou água.

#### PRECAUÇÃO

Quando o trabalho estiver concluído, ventile ar sem humidade a partir do orifício de ar da tampa traseira com a utilização de uma pistola de ar, motor em funcionamento sem qualquer carga. Isto é eficiente na remoção de sujidade e poeiras acumuladas. A sujidade e as poeiras acumuladas no interior do motor podem resultar em avarias.

**6. Lista de peças para conserto**

- A: N° do item
- B: N° do código
- C: N° da peça usada
- D: Observações

**PRECAUÇÃO**

Os consertos, modificações e inspeções de Ferramentas Elétricas da Hitachi devem ser realizados por uma Oficina Autorizada da Hitachi.

Esta lista de peças pode ser útil se for apresentada com a ferramenta na Oficina Autorizada da Hitachi ao solicitar conserto ou manutenção.

Na operação e na manutenção das ferramentas elétricas, devem-se observar as normas de segurança e os padrões estabelecidos por cada país.

**MODIFICAÇÃO**

As Ferramentas Elétricas da Hitachi estão sempre sendo aperfeiçoadas e modificadas para incorporar os mais recentes avanços tecnológicos.

Dessa forma, algumas peças (isto é, números de código e/ou design) podem sofrer modificações sem aviso prévio.

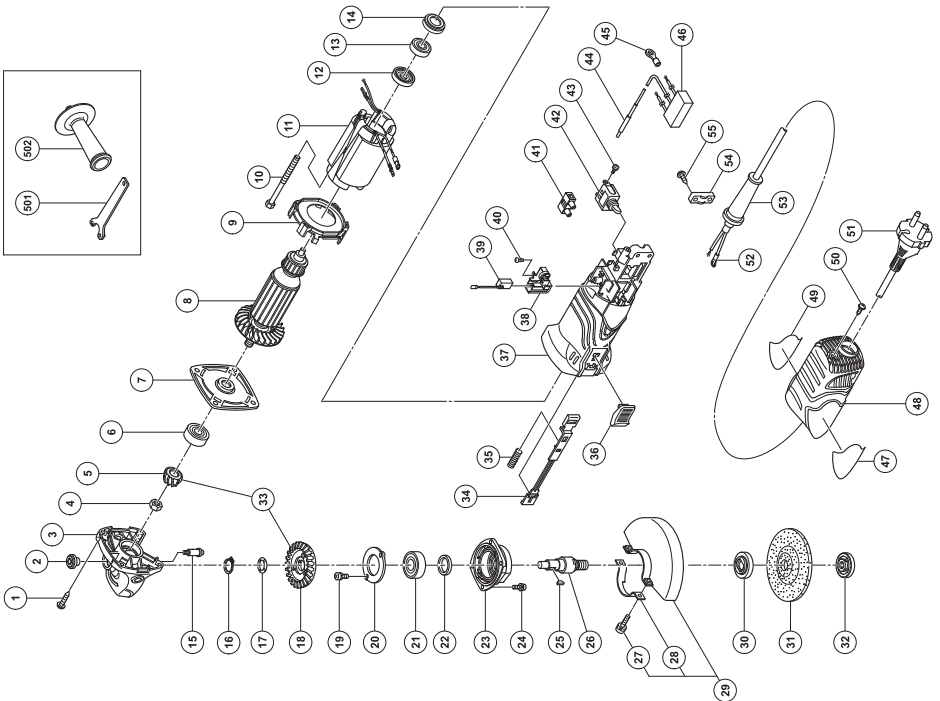
---

**NOTA**

Devido ao contínuo programa de pesquisa e desenvolvimento da HITACHI, as especificações contidas aqui estão sujeitas a modificações sem aviso prévio.

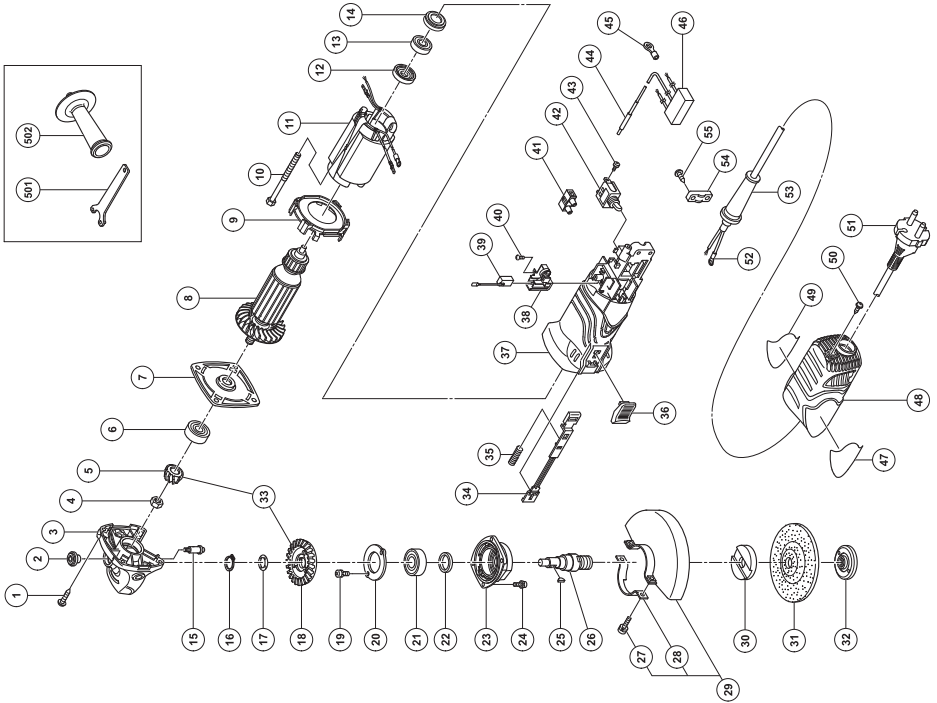
---

# G10SR3



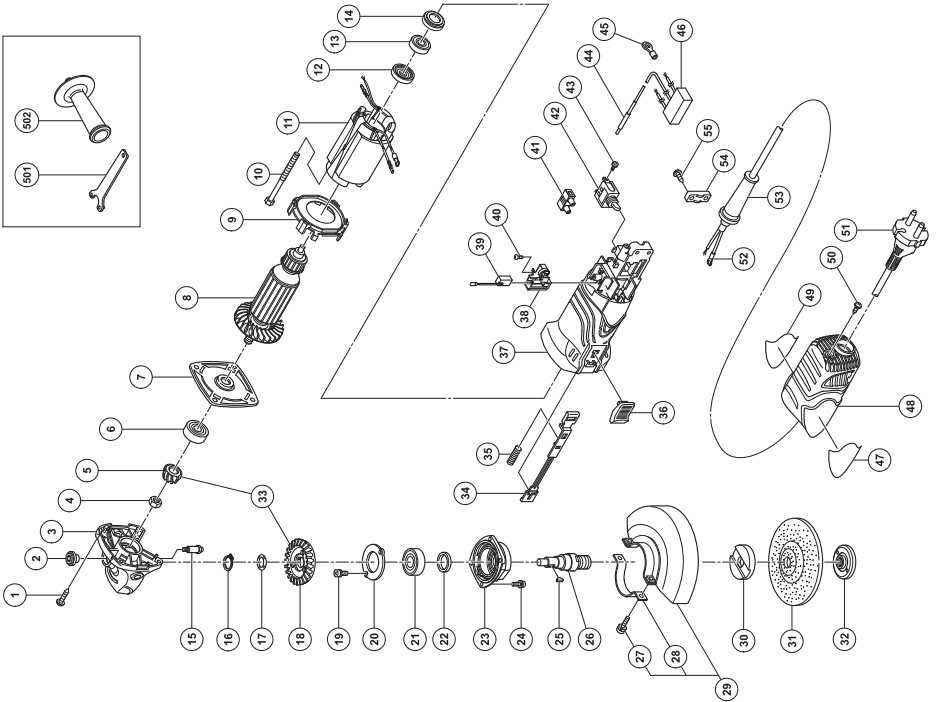
A	B	C	D	A	B	C	D
1	307-028	4	D4x25	38	327-895	2	
2	301-944	1		39	999-091	2	
3	327-891	1	"2, 15"	40			D3x8
4	309-191	1	M6	41	938-307	1	
5	327-889	1		42	314-603	1	
6	628-VVC	2	628VVC2PS2-L	43	305-499	2	M3.5x6
7	327-887	1		44	314-854	1	
8-1	360-799C	1	110V	45	980-063	1	
8-2	360-799U	1	120V	46-1	317-491	1	
8-3	360-799E	1	220V-240V	46-2	994-273	1	"TPE"
9	327-886	1		47		1	
10	963-712	2	D4x65	48	327-894	1	
11-1	340-702C	1	110V	49		1	
11-2	340-702C	1	110V "TPE"	50	307-811	1	D4x16
11-3	340-702D	1	120V	51		1	
11-4	340-702E	1	220V-230V	52	980-063	1	
11-5	340-702F	1	240V	53	953-327	1	
12	321-722	1		54	937-631	1	
13	626-VVM	1	628VVC2PS2L	55	984-750	2	D4x16
14	309-929	1		501	313-933	1	
15	301-943	1		502	318-312	1	
16	316-487	1					
17	316-486	1					
18	327-890	1					
19	987-201	2	M4x10				
20	327-892	1					
21	620-1VV	1	6201VVMFPS2L				
22	301-946	1					
23	316-489	1					
24	987-203	4	M4x12				
25	302-047	1					
26	327-903	1					
27	308-386	2	M5x16				
28	301-949	1					
29	301-948	1	"27, 28"				
30	320-497	1					
31		1	100MM A36Q				
32	321-795	1	M14				
33	327-888	1	"5, 18"				
34	327-893	1					
35	314-429	1					
36	314-428	1					
37	327-885	1	"14"				

# G12SR3

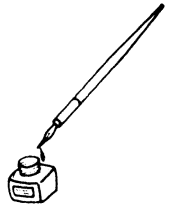


A	B	C	D	A	B	C	D
1	307-028	4	D4x25	40	---	---	---
2	301-944	1		41	938-307	1	4 D3x8
3	327-891	1	"2, 15"	42	314-603	1	
4	309-191	1	M6	43	305-499	2	M3.5x6
5	327-889	1		44	314-854	1	
6	628-VVC	1	628VVC2PS2-L	45	980-063	1	
7	327-887	1		46	317-491	1	
8-1	360-799C	1	110V	47	---	---	---
8-2	360-799U	1	120V	48	327-894	1	
8-3	360-799E	1	220V-240V	49	---	---	---
9	327-886	1		50	307-811	1	D4x16
10	963-712	2	D4x65	51	---	---	---
11-1	340-702C	1	110V	52	980-063	1	
11-2	340-702D	1	120V	53	953-327	1	
11-3	340-702E	1	220V-230V	54	937-631	1	
11-4	340-702F	1	240V	55	984-750	2	D4x16
12	321-722	1		501	938-332Z	1	
13	626-VVM	1	626VVC2PS	502	318-312	1	
14	309-929	1					
15	301-943	1					
16	316-487	1					
17	316-486	1					
18	327-890	1					
19	987-201	2	M4x10				
20	327-892	1					
21	620-1DD	1	6201DDCMPS2L				
22	301-946	1					
23	316-489	1					
24	987-203	4	M4x12				
25	302-047	1					
26	327-896	1					
27	308-386	2	M5x16				
28	301-949	1					
29	315-492	1	"27, 28"				
30	937-817Z	1					
31	---	1	115MM A36Q				
32	994-324	1	M14				
33	327-888	1	"5, 18"				
34	327-893	1					
35	314-429	1					
36	314-428	1					
37	327-885	1	"14"				
38	327-895	2					
39	999-091	2					

# G13SR3



A	B	C	D	A	B	C	D
1	307-028	4	D4x25	49	---	---	---
2	301-944	1		50	307-811	1	D4x16
3	327-891	1	"2, 15"	51	---	---	---
4	309-191	1	M6	52	980-063	1	---
5	327-889	1		53	953-327	1	---
6	628-VVC	1	628VVC2PS2-L	54	937-631	1	---
7	327-887	1		55	984-750	2	D4x16
8	360-799E	1	220V-240V	11-1	340-702E	1	220V-230V
9	327-886	1		11-2	340-702F	1	240V
10	963-712	2	D4x65	501	938-332Z	1	---
12	321-722	1		502	318-312	1	---
13	626-VVM	1	626VVC2PS2L				
14	309-929	1					
15	301-943	1					
16	316-487	1					
17	316-486	1					
18	327-890	1					
19	987-201	2	M4x10				
20	327-892	1					
21	620-1VV	1	6201VCMPS2L				
22	301-946	1					
23	316-489	1					
24	987-203	4	M4x12				
25	302-047	1					
26	327-896	1					
27	308-386	2	M5x16				
28	301-949	1					
29	319-116	1	"27, 28"				
30	937-817Z	1					
31	---	1	125MM A24Q				
32	994-324	1	M14				
33	327-888	1	"5, 18"				
34	327-893	1					
35	314-329	1					
36	314-428	1					
37	327-885	1	"14"				
38	327-895	2					
39	999-091	2					
40	---	4	D3x8				
41	938-307	1					
42	314-603	1					
43	305-499	2	M3.5x6				
47	---	1					
48	327-894	1					



Issued by

 **Hitachi Koki Co., Ltd.**

Shinagawa Intercity Tower A, 15-1, Konan 2-chome,  
Minato-ku, Tokyo 108-6020, Japan

Distributed by

 **Hitachi Power Tools de Mexico, S. A. de C. V**

Francisco Petrarca No. 239 Local A  
Col. Chapultepec Morales C. P. 11570  
Mexico, D. F.

 **Hitachi Power Tools Panama, S. A.**

Avenida Balboa, Edif. BBVA,  
Piso 21 B-1, Panamá, Rep. de Panamá