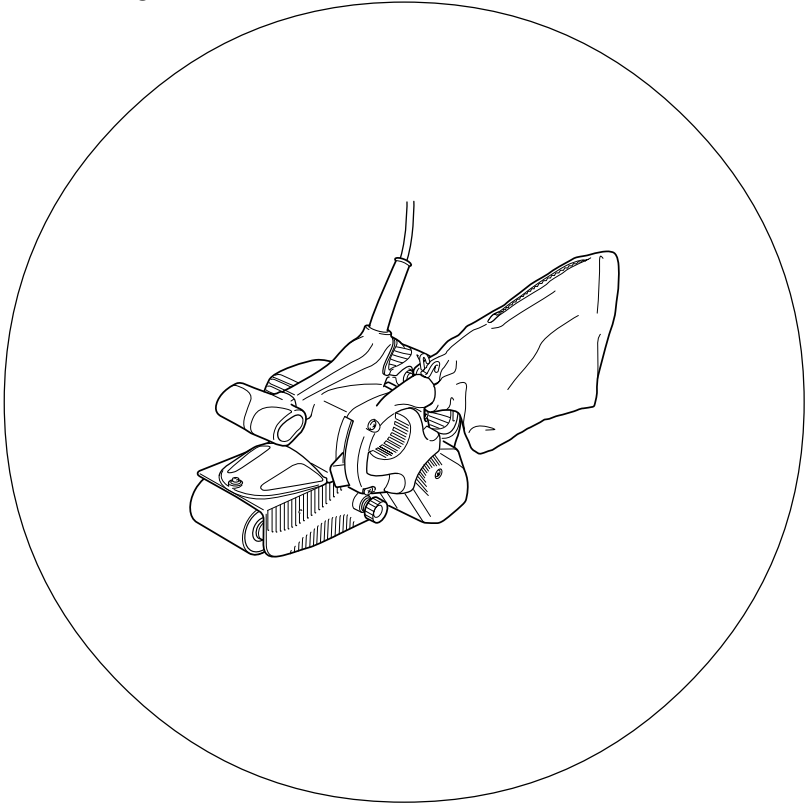


HITACHI

日立牌砂带磨光机 Belt Sander

SB 8V2

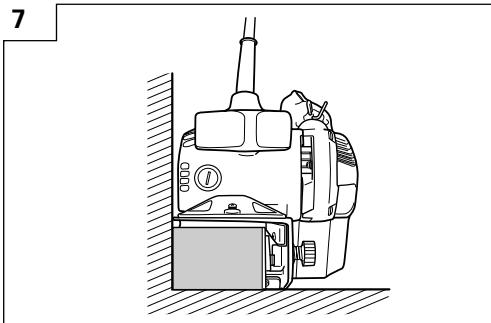
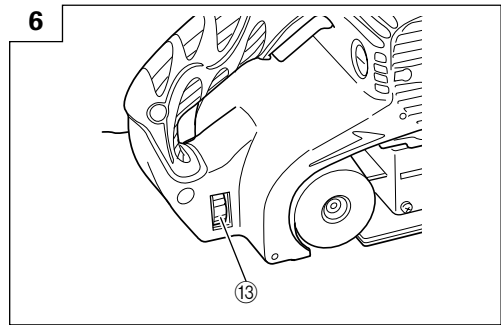
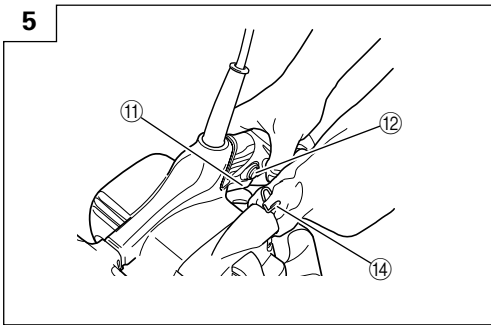
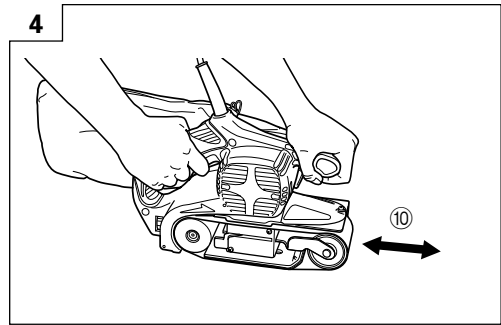
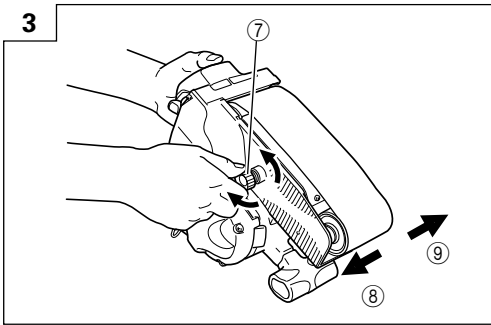
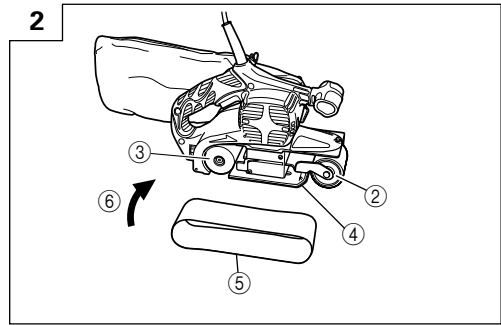
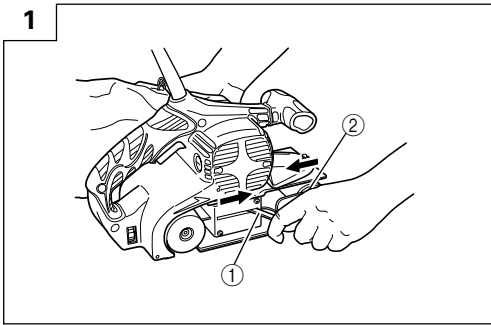
使用说明书
Handling instructions



使用前务请详加阅读

Read through carefully and understand these instructions before use.

Hitachi Koki



①	拉杆	Lever
②	惰轮	Idle pulley
③	驱动轮	Drive pulley
④	履带板	Shoe plate
⑤	砂带	Sanding belt
⑥	旋转方向	Rotational direction
⑦	调整螺丝	Adjust screw
⑧	内侧	Inside
⑨	外侧	Outside
⑩	移动	Move
⑪	起动开关	Trigger switch
⑫	止推器	Stopper
⑬	圆盘	Dial
⑭	支撑杆	Support bar

一般安全规则

警告！

阅读说明

没有按照以下列举的说明而使用或操作将导致触电、着火和/或严重伤害。

在所有以下列举的警告中术语“电动工具”指市电驱动（有线）电动工具或电池驱动（无线）电动工具。

保存这些说明

1) 工作场地

- a) 保持工作场地清洁和明亮。
混乱和黑暗的场地会引发事故。
- b) 不要在易爆环境，如有易燃液体、气体或粉尘的环境下操作电动工具。
电动工具产生的火花会点燃粉尘或气体。
- c) 让儿童和旁观者离开后操纵电动工具。
分心会使你放松控制。

2) 电气安全

- a) 电动工具插头必须与插座相配。
绝不能以任何方式改装插头。
需接地的电动工具不能使用任何转换插头。
未经改装的插头和相配的插座将减少触电危险。
- b) 避免人体接触接地表面，如管道、散热片和冰箱。
如果你身体接地会增加触电危险。
- c) 不得将电动工具暴露在雨中或潮湿环境中。
水进入电动工具将增加触电危险。
- d) 不得滥用电线。
绝不能用电线搬运、拉动电动工具或拔出其插头。
让电动工具远离热、油、锐边或运动部件。
受损或缠绕的电线会增加触电危险。
- e) 当在户外使用电动工具时，使用适合户外使用的外接电线。
适合户外使用的电线将减少触电危险。

3) 人身安全

- a) 保持警觉，当操作电动工具时关注所从事的操作并保持清醒。
切勿在有疲倦、药物、酒精或治疗反应下操作电动工具。
在操作电动工具期间精力分散会导致严重人身伤害。
- b) 使用安全装置。始终配戴护目镜。
安全装置，诸如适当条件下的防尘面具、防滑安全鞋、安全帽、听力防护等装置能减少人身伤害。
- c) 避免突然起动。
确保开关在插入插头时处于关断位置。
手指放在已接通电源的开关上或开关处于接通时插入插头可能会导致危险。

d) 在电动工具接通之前，拿掉所有调节钥匙或扳手。
遗留在电动工具旋转零件上的扳手或钥匙会导致人身伤害。

e) 手不要伸得太长。
时刻注意脚下和身体平衡。
这样在意外情况下能很好地控制电动工具。

- f) 着装适当。
不要穿宽松衣服或佩带饰品。
让你的头发、衣服和袖子远离运动部件。
宽松衣服、佩饰或长发可能会卷入运动部件。
- g) 如果提供了与排屑装置、集尘设备连接用的装置，则确保他们连接完好且使用得当。
使用这些装置可减少碎屑引起的危险。

4) 电动工具使用和注意事项

- a) 不要滥用电动工具，根据用途使用适当的电动工具。
选用适当的设计额定值的电动工具会使你工作更有效、更安全。
- b) 如果开关不能接通或关断工具电源，则不能使用该电动工具。
不能用开关来控制的电动工具是危险的且必须进行修理。
- c) 在进行任何调节、更换附件或贮存电动工具之前，必须从电源上拔掉插头和/或将电池盒断开电源。
这种防护性措施将减少电动工具突然起动的危险。
- d) 将闲置电动工具贮存在儿童所及范围之外，并且不要让不熟悉电动工具或对这些说明不了解的人操作电动工具。
电动工具在未经训练的用户手中是危险的。
- e) 保养电动工具。检查运动件的安装偏差或卡住、零件破损情况和影响电动工具运行的其他条件。
如有损坏，电动工具必须在使用前修理好。
许多事故由维护不良的电动工具引发。
- f) 保持切削刀具锋利和清洁。
保养良好的有锋利切削刃的刀具不易卡住而且容易控制。
- g) 按照使用说明书以及打算使用的电动工具的特殊类型要求的方式，考虑作业条件和进行的作业来使用电动工具、附件和工具的刀头等。
将电动工具用作那些与要求不符的操作可能会导致危险情况。

5) 维修

- a) 将你的电动工具送交专业维修人员，必须使用同样的备件进行更换。
这样将确保所维修的电动工具的安全性。

注意事项

不可让儿童和体弱人士靠近工作场所。
应将不使用的工具存放在儿童和体弱人士接触不到的地方。

带式砂光机使用注意事项

注意

操作砂光机前，请先确认所需的砂光的材料。

若砂光作业中预料会产生铅漆、木屑或金属屑等有害/有毒粉尘，请确认粉尘出口连接粉尘袋或合适的集尘系统。

规格

电压	220伏~
输入功率	1020 瓦
空载砂带转速	250-450 米 / 分
砂纸带尺寸	76 × 533 毫米
重量（不含线缆）	4.3 公斤

标准附件

- (1) 环式砂带（颗粒度：#80） 1
- (2) 粉尘袋 1

标准附件可能不预先通告而径予更改。

选购附件（分开销售）

1. 环式砂带

表 1

颗粒度	颗粒类型
30	AA
40	AA, WA
60	AA, WA
80	AA, WA
100	AA, WA
120	AA, WA
150	AA, WA
180	AA, WA
240	AA, WA
320	AA
400	AA

注：

环式砂带以同型10条砂带成组出售。
订购时，请指定所需的颗粒类型及颗粒度。

若有防尘面罩，请戴上。

请勿吸入或接触砂光作业中产生的有害/有毒粉尘，因这类粉尘会危害您个人及旁人的健康。

2. 固定式机台

研磨细粒时，请使用固定式机台以方便作业。
选购附件可能不预先通告而径予更改。

用途

- 木制产品及地板抛光。
- 木制表层基底抛光。
- 金属表面抛光。
- 金属涂层表面基底抛光、表面再处理前除锈或去漆。
- 石板、混凝土或类似材质的表面抛光。

作业之前

1. 电源

确认所使用的电源与工具铭牌上标示的规格是否相符。

2. 电源开关

确认电源开关是否切断。若电源开关接通，则插头插入电源插座时电动工具将出其不意地立刻转动，从而招致严重事故。

3. 延伸线缆

若作业场所移到离开电源的地点，应使用容量足够、铠装合适的延伸线缆，并且要尽可能地短些。

4. 安装砂带

详细信息，请参阅“砂带总成”一节。

砂带操作方法

注意：

请务必先关闭电源并将插头从插座拔除，以避免造成严重后果。

1. 如何安装砂带

- (1) 以手指拉动拉杆，使惰轮向后移动。（图1）
- (2) 将驱动轮及惰轮安装于履带板外，确认砂带内侧的箭头与驱动轮旋转方向相符。（图2）
- (3) 以手指推动拉杆，使惰轮向前移动，并给予砂带适当张力。此时，请小心手指不要受拉杆撞击。然后调整砂带位置。

注意

若砂带安装方向错误，会降低工作效率及减损砂带寿命。

2. 如何拆卸砂带

以手指拉动推杆，使砂带下垂，便可轻易将其从带轮上取下。

清除粉尘

若粉尘袋积有过多粉尘，集尘效率则会大幅降低。当粉尘积至粉尘袋容量2/3时，请清除袋内粉尘，以确保集尘效率（及工作效率）。

按照下列程序清除袋内粉尘：

- (1) 将支撑杆松开，取下粉尘袋。（图5）
- (2) 拉开滑炼便可开启粉尘袋口。

砂带砂光机使用方法

1. 砂光位置调整方法

按下开关，转动砂带检查其位置。调整砂带使其两端超出带轮边缘1.6至3mm。

若砂带过于靠近机台内侧，会产生摩擦而损坏机台。

旋转调整螺丝（图3）便可调整砂带位置。

- 顺时针旋转螺丝可将砂带内移。
- 逆时针旋转螺丝则可将砂带外移。

注意：若砂带于运转时偏移，可在运转中进行调整。

2. 开启开关

将机台推离受磨表面，再开启开关。若按下开关时，机台置于受磨表面，该表面将会严重刮损。停止机台时亦遵照此原则。

3. 机台握持方法

握住手柄及手柄头，将机台轻轻抵住受磨表面。依赖机台本身重量已足以有效研磨及抛光。请勿额外施加力量，否则会对马达增加不必要的负载、缩短砂带寿命及降低工作效率。（图4）

4. 如何移动机台

先将机台往前移，再往后移，不断重复此前后动作。（图4）

5. 砂带选择方法

参照下表2及表3依个人特定目的选择具备合适颗粒度及颗粒类型的砂带。

表2

成形抛光	合适的颗粒度
粗粒抛光	30-40
中等抛光	40-100
半精细抛光	80-240
精细抛光	180-400

表3

颗粒类型	受磨表面
AA	钢制、木制
WA	木制、竹制

注意

- 关于颗粒度，请参阅表3
- 砂带颗粒应比手工砂纸粗糙。
- 使用相同颗粒度的砂带，以便取得均匀表面。变更颗粒度会导致抛光不良。

6. 开关操作方法

扳下起动装置，电源即开启。按压止推器时，电源开关将会锁定，以利于砂光作业持续进行。拉下起动装置便可释放止推器（图5）。

7. 调整砂带速度

砂带砂光机配备电力控制电路，可执行无段速度控制。若要调整砂带速度，请旋转图6所示的刻度圆盘。圆盘设为“1”时，砂带砂光机将以最低速作业；设为“5”时，则以最高速作业。

8. 圆角砂光方法

使用图7所示的机台可磨抛出圆角。

维 护 和 检 查

1. 检查砂带

若砂带磨损后仍持续使用，将会降低工作效率。发现砂带有过度磨损情形，请立即更换。

2. 检查安装螺钉

要经常检查安装螺钉是否紧固妥善。若发现螺钉松了，应立即重新扭紧，否则会导致严重事故。

3. 电动机的维护

电动机绕线是电动工具的“心脏部”。应仔细检查有无损伤，是否被油液或水沾湿。

4. 检查碳刷

为了保证长期的安全使用以及避免触电事故的发生，本工具的碳刷检查与更换只能由日立授权的服务中心进行。

5. 更换电源线

如果工具的电源线破损，必须将工具送回日立授权的服务中心来更换电源线。

6. 维修零部件一览表

注意：

日立牌电动工具的维修、改造和检查须由经日立公司授权的维修中心进行。

当要求维修或其他保养服务时，若将此零部件一览表与电动工具一起呈交给经日立公司授权的维修中心，将有助于维修或保养工作。

在操作和维修电动工具时，必须遵守贵国制定的安全的有关规则和标准。

改造：

日立牌电动工具经常加以改善和改造以采用最新的先进技术。

因此，某些零部件可能变更，恕不另行通知。

注意：为求改进，本手册所载规格可能不预先通告而径予更改。

GENERAL SAFETY RULES

WARNING!

Read all instructions

Failure to follow all instructions listed below may result in electric shock, fire and/or serious injury.

The term "power tool" in all of the warnings listed below refers to your mains operated (corded) power tool or battery operated (cordless) power tool.

SAVE THESE INSTRUCTIONS

1) Work area

- a) **Keep work area clean and well lit.**
Cluttered and dark areas invite accidents.
- b) **Do not operate power tools in explosive atmospheres, such as in the presence of flammable liquids, gases or dust.**
Power tools create sparks which may ignite the dust of fumes.
- c) **Keep children and bystanders away while operating a power tool.**
Distractions can cause you to lose control.

2) Electrical safety

- a) **Power tool plugs must match the outlet. Never modify the plug in any way.**
Do not use any adapter plugs with earthed (grounded) power tools.
Unmodified plugs and matching outlets will reduce risk of electric shock.
- b) **Avoid body contact with earthed or grounded surfaces such as pipes, radiators, ranges and refrigerators.**
There is an increased risk of electric shock if your body is earthed or grounded.
- c) **Do not expose power tools to rain or wet conditions.**
Water entering a power tool will increase the risk of electric shock.
- d) **Do not abuse the cord. Never use the cord for carrying, pulling or unplugging the power tool. Keep cord away from heat, oil, sharp edges or moving parts.**
Damaged or entangled cords increase the risk of electric shock.
- e) **When operating a power tool outdoors, use an extension cord suitable for outdoor use.**
Use of a cord suitable for outdoor use reduces the risk of electric shock

3) Personal safety

- a) **Stay alert, watch what you are doing and use common sense when operating a power tool. Do not use a power tool while you are tired or under the influence of drugs, alcohol or medication.**
A moment of inattention while operating power tools may result in serious personal injury.
- b) **Use safety equipment. Always wear eye protection.**
Safety equipment such as dust mask, non-skid safety shoes, hard hat, or hearing protection used for appropriate conditions will reduce personal injuries.
- c) **Avoid accidental starting. Ensure the switch is in the off position before plugging in.**
Carrying power tools with your finger on the switch or plugging in power tools that have the switch on invites accidents.

- d) **Remove any adjusting key or wrench before turning the power tool on.**

A wrench or a key left attached to a rotating part of the power tool may result in personal injury.

- e) **Do not overreach. Keep proper footing and balance at all times.**

This enables better control of the power tool in unexpected situations.

- f) **Dress properly. Do not wear loose clothing or jewellery. Keep your hair, clothing and gloves away from moving parts.**

Loose clothes, jewellery or long hair can be caught in moving parts.

- g) **If devices are provided for the connection of dust extraction and collection facilities, ensure these are connected and properly used.**

Use of these devices can reduce dust related hazards.

4) Power tool use and care

- a) **Do not force the power tool. Use the correct power tool for your application.**

The correct power tool will do the job better and safer at the rate for which it was designed.

- b) **Do not use the power tool if the switch does not turn it on and off.**

Any power tool that cannot be controlled with the switch is dangerous and must be repaired.

- c) **Disconnect the plug from the power source before making any adjustments, changing accessories, or storing power tools.**

Such preventive safety measures reduce the risk of starting the power tool accidentally.

- d) **Store idle power tools out of the reach of children and do not allow persons unfamiliar with the power tool or these instructions to operate the power tool.**

Power tools are dangerous in the hands of untrained users.

- e) **Maintain power tools. Check for misalignment or binding of moving parts, breakage of parts and any other condition that may affect the power tools operation.**

If damaged, have the power tool repaired before use.

Many accidents are caused by poorly maintained power tools.

- f) **Keep cutting tools sharp and clean.**

Properly maintained cutting tools with sharp cutting edges are less likely to bind and are easier to control.

- g) **Use the power tool, accessories and tool bits etc., in accordance with these instructions and in the manner intended for the particular type of power tool, taking into account the working conditions and the work to be performed.**

Use of the power tool for operations different from intended could result in a hazardous situation.

5) Service

- a) **Have your power tool serviced by a qualified repair person using only identical replacement parts.**

This will ensure that the safety of the power tool is maintained.

PRECAUTION

Keep children and infirm persons away.

When not in use, tools should be stored out of reach of children and infirm persons.

PRECAUTIONS ON USING BELT SANDER

CAUTION

Prior to the sanding operation, make sure the material you are going to sand.

If generation of harmful/ toxic ducts such as lead paint, woods and metals is expected under the

sanding operation, make sure the dust bag or appropriate dust extraction system is connected with dust outlet tightly.

Wear the dust mask additionally, if available.

Do not inhale or touch the harmful / toxic dusts generated in sanding operation, the dust can endanger the health of yourself and bystanders.

SPECIFICATIONS

Voltage	220V \surd
Power input	1020 W
No-load belt speed	250 – 450 m / min
Sanding belt size	76 × 533 mm
Weight (without cord)	4.3 kg

STANDARD ACCESSORIES

- (1) Endless sanding belt (Grain size: #80) 1
(2) Dust bag 1
Standard accessories are subject to change without notice.

OPTIONAL ACCESSORIES (sold separately)

1. Endless sanding belts

Table1

Grain size	Grain Type
30	AA
40	AA, WA
60	AA, WA
80	AA, WA
100	AA, WA
120	AA, WA
150	AA, WA
180	AA, WA
240	AA, WA
320	AA
400	AA

NOTE:

The endless sanding belt is sold in package of 10 belts of the same type. When ordering, specify the grain type and grain size desired.

2. Stationary Stand

When sanding small articles, use a stationary stand for convenience.

Optional accessories are subject to change without notice.

APPLICATIONS

- Finish sanding and finish flooring of woodwork products.
- Base polishing of wood-coated surfaces.
- Finish sanding of metal surface.
- Base polishing of metal-coated surfaces, rust removal, or paint removal prior to refinishing.
- Surface finishing of slate, concrete, and similar materials.

PRIOR TO OPERATION

1. Power source

Ensure that the power source to be utilized conforms to the power requirements specified on the product nameplate.

2. Power switch

Ensure that the power switch is in the OFF position. If the plug is connected to a receptacle while the power switch is in the ON position, the power tool will start operating immediately, which could cause a serious accident.

3. Extension cord

When the work area is removed from the power source, use an extension cord of sufficient thickness an rated capacity. The extension cord should be kept as short as practicable.

4. Attach the sanding belt

For details, refer to the section on "Sanding Belt Assembly".

HOW TO HANDLE SANDING BELT

CAUTION:

Be sure to switch power OFF and disconnect the plug from the receptacle to avoid serious trouble.

1. How to attach sanding belt

- (1) Pull lever with finger, idle pulley will then move backward. (Fig. 1)
- (2) Place on drive pulley and idle pulley passing it over the outside of shoe plate and making sure that arrow on inside of belt coincides with rotational direction of drive pulley. (Fig. 2)
- (3) Push lever with finger, idle pulley will then move forward and give proper tension to sanding belt. In this case, be careful not to be hit your finger by lever.

Then, adjust sanding belt position.

CAUTION:

Sanding belt installed in the wrong direction will lower work efficiency and shorten life of sanding belt.

2. How to remove sanding belt

Pull lever with finger, sanding belt will then sag and can be taken off pulleys eqsily.

DUST REMOVAL

When an excessive amount of dust is deposited in the dust bag, dust-collecting efficiency will sharply drop. Remove dust from the bag when it is deposited up to about 2/3 the bag capacity, where by dust collecting efficiency (as well as working efficiency) will be ensured. Remove dust from the bag as follows:

- (1) Loosen the support bar and remove the dust bag. (Fig. 5)
- (2) The bag inlet can be opened by unzipping the slide fastener.

HOW TO USE THE BELT SANDER

1. How to adjust sanding position.

Push switch and turn sanding belt to check position. Adjust sanding belt so that both edges protrude 1.6mm – 3mm past edges of pulleys.

If sanding belt is operated too far on the inside, it may cause abrasion and damage machine.

Adjust sanding belt position by turning adjust screw. (Fig. 3)

- Turn adjust screw clockwise to move belt in.
- Turn adjust screw counterclockwise to move belt out.

CAUTION:

If sanding belt moves during operation, adjustment can be made while in operation.

2. To turn on switch

Turn on switch while holding machine away from surface to be worked on. If machine is placed on surface when switch is pushed, surface may be badly scratched.

The same applies when stopping the machine.

3. How to hold machine

Grasp handle and handle knob and hold machine against surface to be worked on so that it contacts surface lightly.

Weight of machine itself is sufficient for sanding and polishing at highest efficiency.

Do not apply any additional pressure, for this would

place unnecessary load on motor, shorten life of sanding belt and lower work efficiency.(Fig. 4)

4. How to move machine

Move machine forward first and then backward, repeating this motion.(Fig. 4)

5. How to select proper sanding belt

Choose sanding belt of proper grain size and grain type for your specific purpose, by referring to **Table 2** and **3** below.

Table 2

Derived finish	Proper grain size
Coarse finish	30 – 40
Medium finish	40 – 100
Semi fine finish	80 – 240
Fine finish	180 – 400

Table 3

Grain type	Surface to be worked on
AA	Steel, Wood
WA	Wood, Bamboo

CAUTION:

- For grain sizes, refer to **Table 3**
- Sanding belt grain should be coarser than sandpaper used for manual work.
- Use sanding belt of same grain size until uniform surface is obtained. Changing grain sizes may result in poor finish.

6. How to operate switch

The power switch is turned ON when the trigger is pulled, and if the stopper is once depressed, the power switch becomes locked, allowing continuous operation.

The stopper can be released pulling the trigger. (Fig. 5)

7. Adjusting the belt speed

The Belt Sander is equipped with the electric control circuit which enables stepless speed control. To adjust the speed, turn the dial shown in **Fig. 6**. When the dial is set to “1”, the belt sander operates at the minimum speed. When the dial is set to “5”, the belt sander operates at the maximum speed.

8. How to work on corner

Corners can be sanded and polished by using machine as in **Fig. 7**.

MAINTENANCE AND INSPECTION

1. Inspecting the sanding belt

Since continued use of a worn-out sanding belt will degrade efficiency, replace the sanding belt as soon as excessive abrasion is noted.

2. Inspecting the mounting screws

Regularly inspect all mounting screws and ensure that they are properly tightened. Should any of the screws be loose, retighten them immediately. Failure to do so could result in serious hazard.

3. Maintenance of the motor

The motor unit winding is the very “heart” of the power tool.

Exercise due care to ensure the winding does not become damaged and/or wet with oil or water.

4. Inspecting the carbon brushes

For your continued safety and electrical shock protection, carbon brush inspection and replacement on this tool should ONLY be performed by a Hitachi Authorized Service Center.

5. Replacing supply cord

If the supply cord of Tool is damaged, the Tool must be returned to Hitachi Authorized Service Center for the cord to be replaced.

6. Service parts list

CAUTION

Repair, modification and inspection of Hitachi Power Tools must be carried out by a Hitachi Authorized Service Center.

This Parts List will be helpful if presented with the tool to the Hitachi Authorized Service Center when requesting repair or other maintenance.

In the operation and maintenance of power tools, the safety regulations and standards prescribed in each country must be observed.

MODIFICATION

Hitachi Power Tools are constantly being improved and modified to incorporate the latest technological advancements.

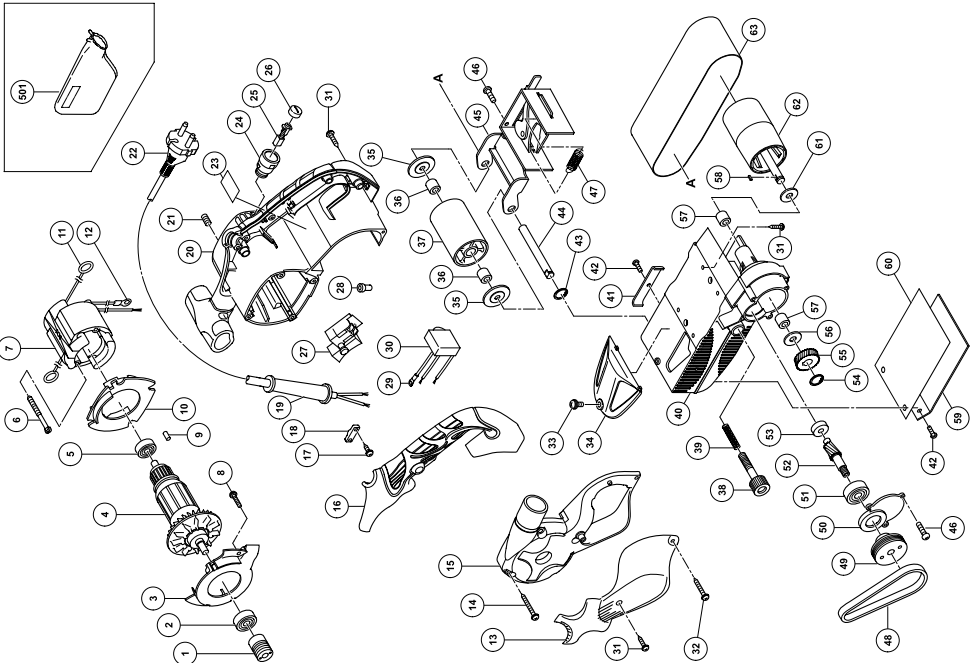
Accordingly, some parts may be changed without prior notice.

NOTE

Due to HITACHI's continuing program of research and development, the specifications herein are subject to change without prior notice.

Item No.	Part Name	QTY
1	PULLEY(A)	1
2	BALL BEARING	1
3	DUST GUIDE	1
4	ARMATURE ASSY	1
5	BALL BEARING	1
6	HEX. HD. TAPPING SCREW D5x55	2
7	STATOR ASSY	1
8	MACHINE SCREW (W/WASHERS) M4x12	2
9	BEARING LOCK	1
10	FAN GUIDE	2
11	BRUSH TERMINAL	1
12	TERMINAL	1
13	BELT COVER	1
14	TAPPING SCREW (W/FLANGE) D5x45	1
15	DUST COVER	1
16	HANDLE COVER	1
17	TAPPING SCREW (W/FLANGE) D4x16	2
18	CORD CLIP	1
19	CORD ARMOR	1
20	HOUSING ASSY	1
21	HEX. SOCKET SET SCREW M5x8	2
22	CORD	1
23	NAME PLATE	1
24	BRUSH HOLDER	2
25	CARBON BRUSH	2
26	BRUSH CAP	2
27	SWITCHIE	1
28	CONNECTOR 50091	1
29	TERMINAL M3.5	1
30	CONTROL	1
31	TAPPING SCREW (W/FLANGE) D4x16	8
32	TAPPING SCREW (W/FLANGE) D4x30	1
33	MACHINE SCREW (W/WASHERS) M4x8	1
34	CLEAR COVER	1
35	WASHER (B)	2
36	METAL D10x14x12	2
37	IDLE PULLEY ASS'Y	1
38	ADJUSTING SCREW	1
39	SPRING	1
40	BODY ASS'Y	1
41	STRIKING GUIDE	1
42	FT-MACHINE SCREW M4x10	3
43	RETAINING RING FOR D10 SHAFT	1
44	SHAFT(B)	1
45	BELT TENSIONER ASS'Y	1
46	FT-MACHINE SCREW M4x14	5
47	SPRING	1
48	BELT	1
49	PULLEY(B)	1
50	GEAR COVER	1
51	BALL BEARING	1

Item No.	Part Name	QTY
1	PULLEY(A)	1
2	BALL BEARING	1
3	DUST GUIDE	1
4	ARMATURE ASSY	1
5	BALL BEARING	1
6	HEX. HD. TAPPING SCREW D5x55	2
7	STATOR ASSY	1
8	MACHINE SCREW (W/WASHERS) M4x12	2
9	BEARING LOCK	1
10	FAN GUIDE	2
11	BRUSH TERMINAL	1
12	TERMINAL	1
13	BELT COVER	1
14	TAPPING SCREW (W/FLANGE) D5x45	1
15	DUST COVER	1
16	HANDLE COVER	1
17	TAPPING SCREW (W/FLANGE) D4x16	2
18	CORD CLIP	1
19	CORD ARMOR	1
20	HOUSING ASSY	1
21	HEX. SOCKET SET SCREW M5x8	2
22	CORD	1
23	NAME PLATE	1
24	BRUSH HOLDER	2
25	CARBON BRUSH	2
26	BRUSH CAP	2
27	SWITCHIE	1
28	CONNECTOR 50091	1
29	TERMINAL M3.5	1
30	CONTROL	1
31	TAPPING SCREW (W/FLANGE) D4x16	8
32	TAPPING SCREW (W/FLANGE) D4x30	1
33	MACHINE SCREW (W/WASHERS) M4x8	1
34	CLEAR COVER	1
35	WASHER (B)	2
36	METAL D10x14x12	2
37	IDLE PULLEY ASS'Y	1
38	ADJUSTING SCREW	1
39	SPRING	1
40	BODY ASS'Y	1
41	STRIKING GUIDE	1
42	FT-MACHINE SCREW M4x10	3
43	RETAINING RING FOR D10 SHAFT	1
44	SHAFT(B)	1
45	BELT TENSIONER ASS'Y	1
46	FT-MACHINE SCREW M4x14	5
47	SPRING	1
48	BELT	1
49	PULLEY(B)	1
50	GEAR COVER	1
51	BALL BEARING	1



服务中心

日立工机商业（中国）有限公司

上海市长宁区遵义路100号

虹桥上海城B栋2686 - 2689室

制造商

立工机（马来西亚）有限公司

马来西亚柔佛州士乃

 **Hitachi Koki Co., Ltd.**