

# HITACHI

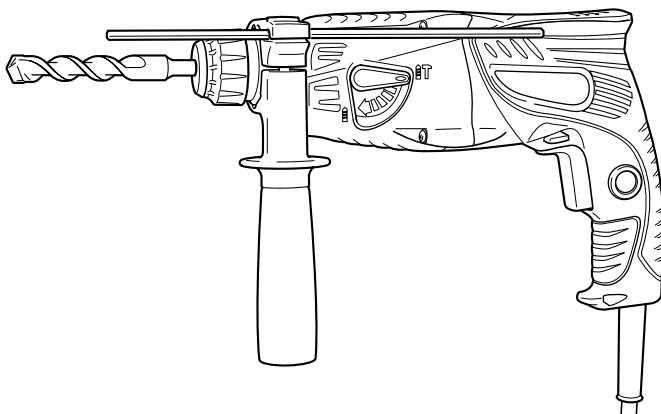
---

**Rotary Hammer**  
**Martillo perforador**  
**Martelo perfurador**

---

**DH 22PG**

---

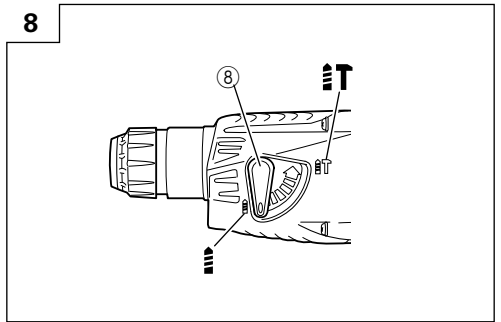
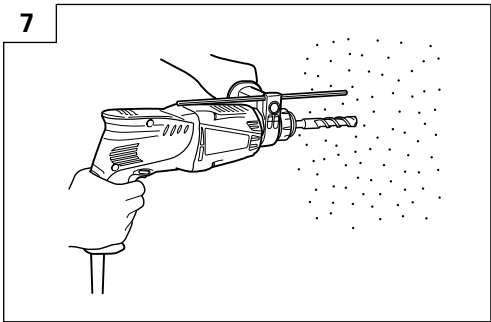
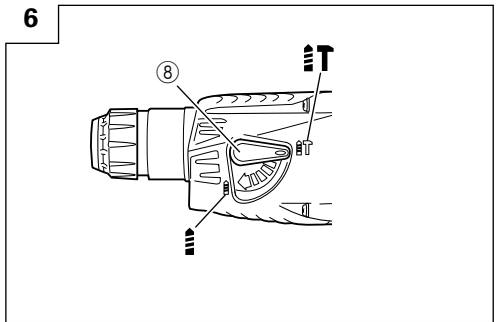
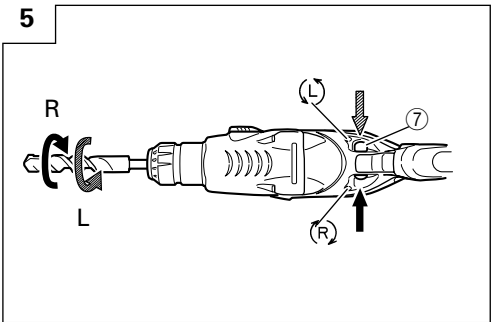
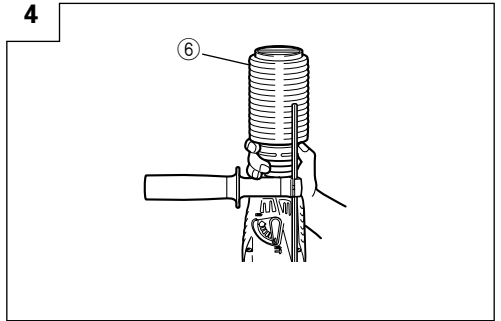
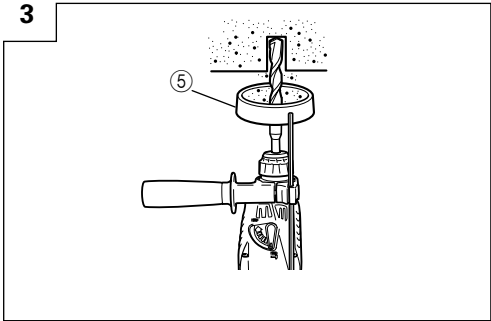
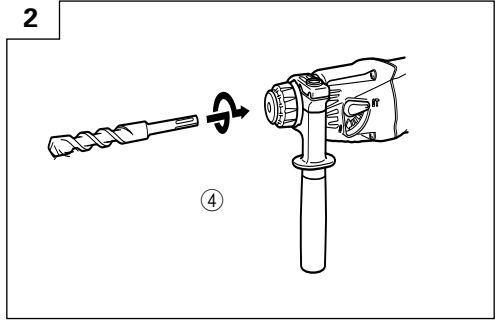
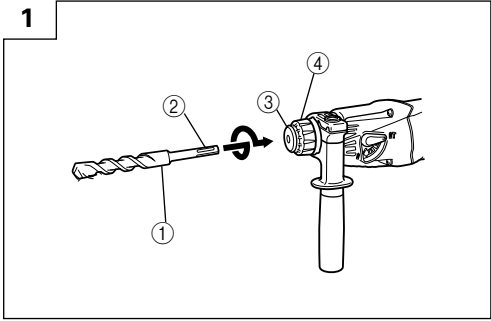


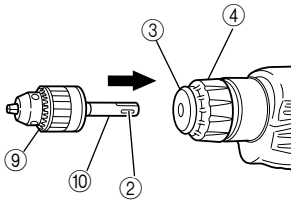
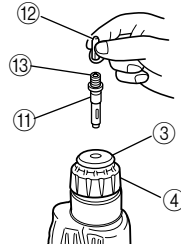
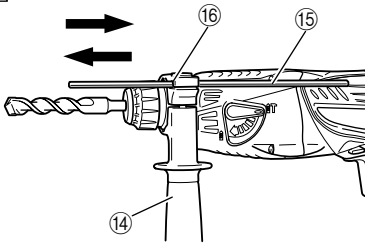
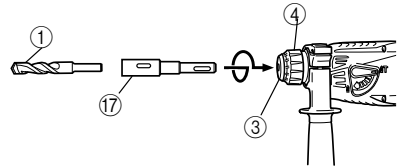
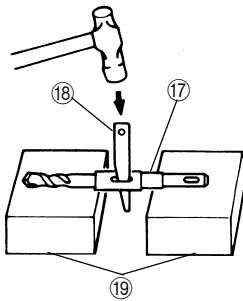
Read through carefully and understand these instructions before use.  
Leer cuidadosamente y comprender estas instrucciones antes del uso.  
Antes de usar, leia com cuidado para assimilar estas instruções.



Handling instructions  
Instrucciones de manejo  
Instruções de uso

**Hitachi Koki**



**9****10****11****12****13**

	English	Español	Português
①	Drill bit	Broca	Broca
②	Part of SDS-plus shank	Parte delSDS más vástago	Cabo de peça SDS-plus
③	Front cap	Cubierta frontal	Tampa da frente
④	Grip	Sujetador	Mordente
⑤	Dust cup	Capa de polvo	Receptáculo para poeira
⑥	Dust collector (B)	Colector de polvo (B)	Coletor de poeira (B)
⑦	Push button	Tecla	Botão de pressão
⑧	Change lever	Palanquita selectora	Seletor
⑨	Drill chuck	Portabrocas	Mandril
⑩	Chuck adapter	Adaptador del portabrocas	Adaptador do mandril
⑪	Chuck adapter (D)	Adaptador (D) del portabrocas	Adaptador do mandril (D)
⑫	Bit	Broca	Palhetão
⑬	Socket	Cubo	Encaixe
⑭	Side handle	Mango lateral	Empunhadura lateral
⑮	Depth gauge	Calibre de profundidad	Sonda
⑯	Mounting hole	Agujero de montaje	Orifício de montagem
⑰	Tape shank adapter	Adaptador de la espiga ahusada	Adaptador de cabo cônico
⑱	Cotter	Chaveta	Cavilha
⑲	Rest	Apoyo	Suporte

## GENERAL POWER TOOL SAFETY WARNINGS

### **⚠ WARNING**

**Read all safety warnings and all instructions.**

*Failure to follow the warnings and instructions may result in electric shock, fire and/or serious injury.*

**Save all warnings and instructions for future reference.**

*The term "power tool" in the warnings refers to your mains-operated (corded) power tool or battery-operated (cordless) power tool.*

#### 1) Work area safety

- a) **Keep work area clean and well lit.**  
*Cluttered or dark areas invite accidents.*
- b) **Do not operate power tools in explosive atmospheres, such as in the presence of flammable liquids, gases or dust.**  
*Power tools create sparks which may ignite the dust or fumes.*
- c) **Keep children and bystanders away while operating a power tool.**  
*Distractions can cause you to lose control.*

#### 2) Electrical safety

- a) **Power tool plugs must match the outlet. Never modify the plug in any way. Do not use any adapter plugs with earthed (grounded) power tools.**  
*Unmodified plugs and matching outlets will reduce risk of electric shock.*
- b) **Avoid body contact with earthed or grounded surfaces, such as pipes, radiators, ranges and refrigerators.**  
*There is an increased risk of electric shock if your body is earthed or grounded.*
- c) **Do not expose power tools to rain or wet conditions.**  
*Water entering a power tool will increase the risk of electric shock.*
- d) **Do not abuse the cord. Never use the cord for carrying, pulling or unplugging the power tool. Keep cord away from heat, oil, sharp edges or moving parts.**  
*Damaged or entangled cords increase the risk of electric shock.*
- e) **When operating a power tool outdoors, use an extension cord suitable for outdoor use.**  
*Use of a cord suitable for outdoor use reduces the risk of electric shock.*
- f) **If operating a power tool in a damp location is unavoidable, use a residual current device (RCD) protected supply.**  
*Use of an RCD reduces the risk of electric shock.*

#### 3) Personal safety

- a) **Stay alert, watch what you are doing and use common sense when operating a power tool. Do not use a power tool while you are tired or under the influence of drugs, alcohol or medication.**  
*A moment of inattention while operating power tools may result in serious personal injury.*
- b) **Use personal protective equipment. Always wear eye protection.**  
*Protective equipment such as dust mask, non-skid safety shoes, hard hat, or hearing protection used for appropriate conditions will reduce personal injuries.*

- c) **Prevent unintentional starting. Ensure the switch is in the off-position before connecting to power source and/or battery pack, picking up or carrying the tool.**

*Carrying power tools with your finger on the switch or energising power tools that have the switch on invites accidents.*

- d) **Remove any adjusting key or wrench before turning the power tool on.**

*A wrench or a key left attached to a rotating part of the power tool may result in personal injury.*

- e) **Do not overreach. Keep proper footing and balance at all times.**

*This enables better control of the power tool in unexpected situations.*

- f) **Dress properly. Do not wear loose clothing or jewellery. Keep your hair, clothing and gloves away from moving parts.**

*Loose clothes, jewellery or long hair can be caught in moving parts.*

- g) **If devices are provided for the connection of dust extraction and collection facilities, ensure these are connected and properly used.**

*Use of dust collection can reduce dust related hazards.*

#### 4) Power tool use and care

- a) **Do not force the power tool. Use the correct power tool for your application.**

*The correct power tool will do the job better and safer at the rate for which it was designed.*

- b) **Do not use the power tool if the switch does not turn it on and off.**

*Any power tool that cannot be controlled with the switch is dangerous and must be repaired.*

- c) **Disconnect the plug from the power source and/or the battery pack from the power tool before making any adjustments, changing accessories, or storing power tools.**

*Such preventive safety measures reduce the risk of starting the power tool accidentally.*

- d) **Store idle power tools out of the reach of children and do not allow persons unfamiliar with the power tool or these instructions to operate the power tool.**

*Power tools are dangerous in the hands of untrained users.*

- e) **Maintain power tools. Check for misalignment or binding of moving parts, breakage of parts and any other condition that may affect the power tools operation.**

*If damaged, have the power tool repaired before use.*

*Many accidents are caused by poorly maintained power tools.*

- f) **Keep cutting tools sharp and clean.**

*Properly maintained cutting tools with sharp cutting edges are less likely to bind and are easier to control.*

- g) **Use the power tool, accessories and tool bits etc. in accordance with these instructions, taking into account the working conditions and the work to be performed.**

*Use of the power tool for operations different from those intended could result in a hazardous situation.*

5) Service

- a) **Have your power tool serviced by a qualified repair person using only identical replacement parts.**  
*This will ensure that the safety of the power tool is maintained.*

**PRECAUTION**

**Keep children and infirm persons away.**  
**When not in use, tools should be stored out of reach of children and infirm persons.**

**PRECAUTIONS ON USING ROTARY HAMMER**

- 1. **Wear ear protectors.**  
 Exposure to noise can cause hearing loss.
- 2. **Use auxiliary handles supplied with the tool.**  
 Loss of control can cause personal injury.

- 3. Do not touch the bit during or immediately after operation. The bit becomes very hot during operation and could cause serious burns.
- 4. Before starting to break, chip or drill into a wall, floor or ceiling, thoroughly confirm that such items as electric cables or conduits are not buried inside.
- 5. Always hold the body handle and side handle of the power tool firmly. Otherwise the counterforce produced may result in inaccurate and even dangerous operation.
- 6. Wear a dust mask  
 Do not inhale the harmful dusts generated in drilling or chiseling operation. The dust can endanger the health of yourself and bystanders.

**SPECIFICATIONS**

Voltage (by areas)*	(110V, 115V, 120V, 127V, 220V, 230V, 240V) ∩
Power Input	620W*
No-load speed	0 – 1500 / min
Full-load impact rate	0 – 6200 / min
Capacity: concrete	3.4 – 22 mm
steel	13 mm
wood	24 mm
Weight (without cord and side handle)	1.9 kg

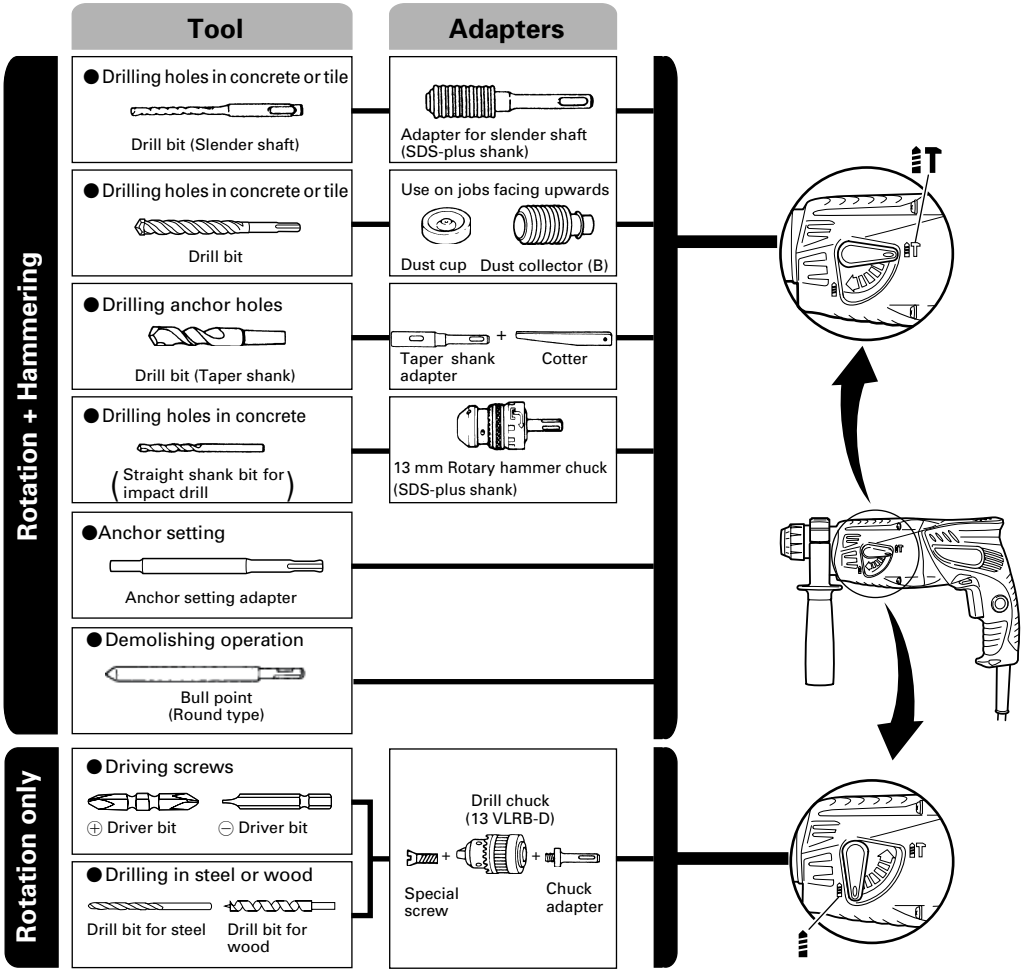
\* Be sure to check the nameplate on product as it is subject to change by areas.

**STANDARD ACCESSORIES**

- (1) Plastic case ..... 1
- (2) Side handle ..... 1
- (3) Depth gauge ..... 1

Standard accessories are subject to change without notice.

**OPTIONAL ACCESSORIES (sold separately)**



● Drilling holes in concrete or tile

Drill bit (slender shaft)		
Outer dia.	Overall length	Effective length
3.4 mm	90 mm	45 mm
3.5 mm		

SDS-plus Drill bit		
Outer dia.	Overall length	Effective length
4.0 mm	110 mm	50 mm
5.0 mm	110 mm	50 mm
	160 mm	100 mm
5.5 mm	110 mm	50 mm
6.5 mm	160 mm	100 mm
7.0 mm	160 mm	100 mm
8.0 mm	160 mm	100 mm
8.5 mm	160 mm	100 mm
9.0 mm	160 mm	100 mm
12.0 mm	166 mm	100 mm
	260 mm	200 mm
12.7 mm	166 mm	100 mm
14.0 mm	166 mm	100 mm
15.0 mm	166 mm	100 mm
16.0 mm	166 mm	100 mm
	260 mm	200 mm
17.0 mm	166 mm	100 mm
19.0 mm	260 mm	200 mm
20.0 mm	250 mm	200 mm
22.0 mm	250 mm	200 mm

● Drilling anchor holes

Taper shank adapter
Taper mode
Morse taper No.1
Morse taper No.2
A-Taper
B-taper

● Anchor setting

Anchor setting adapter
Anchor size
W 1/4"
W 5/16"
W 3/8"

Optional accessories are subject to change without notice.

## APPLICATIONS

Rotation and hammering function

- Drilling anchor holes
- Drilling holes in concrete
- Drilling holes in tile

Rotation only function

- Drilling in steel or wood (with optional accessories)
- Tightening machine screws, wood screws (with optional accessories)

## PRIOR TO OPERATION

**1. Power source**

Ensure that the power source to be utilized conforms to the power requirements specified on the product nameplate.

**2. Power switch**

Ensure that the power switch is in the OFF position. If the plug is connected to a power receptacle while the power switch is in the ON position, the power tool will start operating immediately, which could cause a serious accident.

**3. Extension cord**

When the work area is removed from the power source, use an extension cord of sufficient thickness and rated capacity. The extension cord should be kept as short as practicable.

**4. Mounting the drill bit (Fig. 1)**

**CAUTION**

To prevent accidents, make sure to turn the switch off and disconnect the plug from the receptacle.

**NOTE**

When using tools such as bull points, drill bits, etc., make sure to use the genuine parts designated by our company.

(1) Clean the shank portion of the drill bit.

(2) Insert the drill bit in a twisting manner into the tool holder until it latches itself (Fig. 1).

(3) Check the latching by pulling on the drill bit.

(4) To remove the drill bit, fully pull the grip in the direction of the arrow and pull out the drill bit (Fig. 2).

**5. Installation of dust cup or dust collector (B) (Optional accessories) (Fig. 3, Fig. 4)**

When using a rotary hammer for upward drilling operations attach a dust cup or dust collector (B) to collect dust or particles for easy operation.

- Installing the dust cup

Use the dust cup by attaching to the drill bit as shown in Fig. 3.

When using a bit which has big diameter, enlarge the center hole of the dust cup with this rotary hammer.

- Installing dust collector (B)

When using dust collector (B), insert dust collector (B) from the tip of the bit by aligning it to the groove on the grip (Fig. 4).

**CAUTION**

- The dust cup and dust collector (B) are for exclusive use of concrete drilling work. Do not use them for wood or metal drilling work.

- Insert dust collector (B) completely into the chuck part of the main unit.



- When turning the rotary hammer on while dust collector (B) is detached from a concrete surface, dust collector (B) will rotate together with the drill bit. Make sure to turn on the switch after pressing the dust cup on the concrete surface. (When using dust collector (B) attached to a drill bit that has more than 190 mm of overall length, dust collector (B) cannot touch the concrete surface and will rotate. Therefore please use dust collector (B) by attaching to drill bits which have 166 mm, 160 mm, and 110 mm overall length.)
  - Dump particles after every two or three holes when drilling.
  - Please replace the drill bit after removing dust collector (B).
- 6. Selecting the driver bit**  
Screw heads or bits will be damaged unless a bit appropriate for the screw diameter is employed to drive in the screws.
- 7. Confirm the direction of bit rotation (Fig. 5)**  
The bit rotates clockwise (viewed from the rear side) by pushing the R-side of the push button.  
The L-side of the push button is pushed to turn the bit counterclockwise.

## HOW TO USE

### CAUTION

To prevent accidents, make sure to turn the switch off and disconnect the plug from the receptacle when the drill pits and other various parts are installed or removed. The power switch should also be turned off during a work break and after work.

#### 1. Switch operation

The rotation speed of the drill bit can be controlled steplessly by varying the amount that the trigger switch is pulled. Speed is low when the trigger switch is pulled slightly and increases as the switch is pulled more. Continuous operation may be attained by pulling the trigger switch and depressing the stopper. To turn the switch OFF, pull the trigger switch again to disengage the stopper, and release the trigger switch to its original position.

However, the switch trigger can only be pulled in halfway during reverse and rotates at half the speed of forward operation.

The switch stopper is unusable during reverse.

#### 2. Rotation + hammering

This rotary hammer can be set to rotation and hammering mode by turning the change lever to the **T** mark (Fig. 6).

- (1) Mount the drill bit.
- (2) Pull the trigger switch after applying the drill bit tip to the drilling position (Fig. 7).
- (3) Pushing the rotary hammer forcibly is not necessary at all. Pushing slightly so that drill dust comes out gradually is sufficient.

### CAUTION

When the drill bit touches construction iron bar, the bit will stop immediately and the rotary hammer will react to revolve. Therefore grip the side handle and handle tightly as shown in Fig. 7.

#### 3. Rotation only

This rotary hammer can be set to rotation only mode by turning the change lever to the **I** mark (Fig. 8).

To drill wood or metal material using the drill chuck and chuck adapter (optional accessories), proceed as follows.

Installing drill chuck and chuck adapter (Fig. 9).

- (1) Attach the drill chuck to the chuck adapter.
- (2) The part of the SDS-plus shank is the same as the drill bit. Therefore, refer to the item of "Mounting the drill bit" for attaching it.

### CAUTION

- Application of force more than necessary will not only expedite the work, but will deteriorate the tip edge of the drill bit and reduce the service life of the rotary hammer in addition.
- Drill bits may snap off while withdrawing the rotary hammer from the drilled hole. For withdrawing, it is important to use a pushing motion.
- Do not attempt to drill anchor holes or holes in concrete with the machine set in the rotation only function.
- Do not attempt to use the rotary hammer in the rotation and striking function with the drill chuck and chuck adapter attached. This would seriously shorten the service life of every component of the machine.

#### 4. When driving machine screws (Fig. 10)

First, insert the bit into the socket in the end of chuck adapter (D).

Next, mount chuck adapter (D) on the main unit using procedures described in 4 (1), (2), (3), put the tip of the bit in the slots in the head of the screw, grasp the main unit and tighten the screw.

### CAUTION

- Exercise care not to excessively prolong driving time, otherwise, the screws may be damaged by excessive force.
- Apply the rotary hammer perpendicularly to the screw head when driving the screw; otherwise, the screw head or bit will be damaged, or driving force will not be fully transferred to the screw.
- Do not attempt to use the rotary hammer in the rotation and striking function with the chuck adapter and bit attached.

#### 5. When driving wood screws (Fig. 10)

- (1) Selecting a suitable driver bit  
Employ plus-head screws, if possible, since the driver bit easily slips off the heads of minus-head screws.
- (2) Driving in wood screws
  - Prior to driving in wood screws, make pilot holes suitable for them in the wooden board. Apply the bit to the screw head grooves and gently drive the screws into the holes.
  - After rotating the rotary hammer at low speed for a while until the wood screw is partly driven into the wood, squeeze the trigger more strongly to obtain the optimum driving force.

### CAUTION

Exercise care in preparing a pilot hole suitable for the wood screw taking the hardness of the wood into consideration. Should the hole be excessively small or shallow, requiring much power to drive the screw into it, the thread of the wood screw may sometimes be damaged.

#### 6. Using depth gauge (Fig. 11)

- (1) Loosen the knob on the side handle, and insert the depth gauge into the mounting hole on the side handle.
- (2) Adjust the depth gauge position according to the depth of the hole and tighten the knob securely.

## 7. How to use the drill bit (taper shank) and the taper shank adapter

- (1) Mount the taper shank adapter to the rotary hammer (Fig. 12).
- (2) Mount the drill bit (taper shank) to the taper shank adapter (Fig. 12).
- (3) Turn the switch ON, and drill a hole in prescribed depth.
- (4) To remove the drill bit (taper shank), insert the cotter into the slot of the taper shank adapter and strike the head of the cotter with a hammer supporting on a rests (Fig. 13).

---

## LUBRICATION

---

Low viscosity grease is applied to this rotary hammer so that it can be used for a long period without replacing the grease. Please contact the nearest service center for grease replacement when any grease is leaking from loosened screw.

Further use of the rotary hammer with lock off grease will cause the machine to seize up reduce the service life.

### CAUTION

A special grease is used with this machine, therefore, the normal performance of the machine may be badly affected by use of other grease. Please be sure to let one of our service agents undertake replacement of the grease.

---

## MAINTENANCE AND INSPECTION

---

### 1. Inspecting the drill bits

Since use of a dull tool will cause motor malfunctioning and degraded efficiency, replace the drill bit with new ones or sharpen them without delay when abrasion is noted.

### 2. Inspecting the mounting screws

Regularly inspect all mounting screws and ensure that they are properly tightened. Should any of the screws be loose, retighten them immediately. Failure to do so could result in serious hazard.

### 3. Maintenance of the motor

The motor unit winding is the very "heart" of the power tool. Exercise due care to ensure the winding does not become damaged and/or wet with oil or water.

### 4. Inspecting the carbon brushes

For your continued safety and electrical shock protection, carbon brush inspection and replacement on this tool should ONLY be performed by a HITACHI Authorized Service Center.

### 5. Replacing supply cord

If the supply cord of Tool is damaged, the Tool must be returned to Hitachi Authorized Service Center for the cord to be replaced.

### 6. Service parts list

- A: Item No.
- B: Code No.
- C: No. Used
- D: Remarks

## CAUTION

Repair, modification and inspection of Hitachi Power Tools must be carried out by an Hitachi Authorized Service Center.

This Parts List will be helpful if presented with the tool to the Hitachi Authorized Service Center when requesting repair or other maintenance.

In the operation and maintenance of power tools, the safety regulations and standards prescribed in each country must be observed.

## MODIFICATIONS

Hitachi Power Tools are constantly being improved and modified to incorporate the latest technological advancements.

Accordingly, some parts (i.e. code numbers and/or design) may be changed without prior notice.

---

## NOTE

Due to HITACHI's continuing program of research and development, the specifications herein are subject to change without prior notice.

---

## ADVERTENCIAS DE SEGURIDAD GENERAL DE LA HERRAMIENTA ELÉCTRICA

### ⚠ ADVERTENCIA

Lea todas las instrucciones y advertencias de seguridad. Si no se siguen las advertencias e instrucciones, podría producirse una descarga eléctrica, un incendio y/o daños graves.

Guarde todas las advertencias e instrucciones para futura referencia.

El término “herramienta eléctrica” en las advertencias hace referencia a la herramienta eléctrica que funciona con la red de suministro (con cable) o a la herramienta eléctrica que funciona con pilas (sin cable).

#### 1) Seguridad del área de trabajo

- Mantenga la zona de trabajo limpia y bien iluminada. Las zonas desordenadas u oscuras pueden provocar accidentes.
- No utilice las herramientas eléctricas en entornos explosivos como, por ejemplo, en presencia de líquidos inflamables, gases o polvo. Las herramientas eléctricas crean chispas que pueden inflamar el polvo o los humos.
- Mantenga a los niños y transeúntes alejados cuando utilice una herramienta eléctrica. Las distracciones pueden hacer que pierda el control.

#### 2) Seguridad eléctrica

- Los enchufes de las herramientas eléctricas tienen que ser adecuados a la toma de corriente. No modifique el enchufe.

No utilice enchufes adaptadores con herramientas eléctricas conectadas a tierra.

Si no se modifican los enchufes y se utilizan tomas de corriente adecuadas se reducirá el riesgo de descarga eléctrica.

- Evite el contacto corporal con superficies conectadas a tierra como tuberías, radiadores y frigoríficos. Hay mayor riesgo de descarga eléctrica si su cuerpo está en contacto con el suelo.
- No exponga las herramientas eléctricas a la lluvia o a la humedad.

La entrada de agua en una herramienta eléctrica aumentará el riesgo de descarga eléctrica.

- No utilice el cable incorrectamente. No utilice el cable para transportar, tirar de la herramienta eléctrica o desenchufarla.

Mantenga el cable alejado del calor, del aceite, de bordes afilados o piezas móviles.

Los cables dañados o enredados aumentan el riesgo de descarga eléctrica.

- Cuando utilice una herramienta eléctrica al aire libre, utilice un cable prolongador adecuado para utilizarse al aire libre.

La utilización de un cable adecuado para usarse al aire libre reduce el riesgo de descarga eléctrica.

- Si no se puede evitar el uso de una herramienta eléctrica en un lugar húmedo, utilice un suministro protegido mediante un dispositivo de corriente residual (RCD).

El uso de un RCD reduce el riesgo de descarga eléctrica.

#### 3) Seguridad personal

- Esté atento, preste atención a lo que hace y utilice el sentido común cuando utilice una herramienta eléctrica.

No utilice una herramienta eléctrica cuando esté cansado o esté bajo la influencia de drogas, alcohol o medicación.

La distracción momentánea cuando utiliza herramientas eléctricas puede dar lugar a importantes daños personales.

- Utilice un equipo de protección. Utilice siempre una protección ocular.

El equipo de protección como máscara para el polvo, zapatos de seguridad antideslizantes, casco o protección para oídos utilizado para condiciones adecuadas reducirá los daños personales.

- Evite un inicio involuntario. Asegúrese de que el interruptor está en “off” antes de conectar la herramienta a una fuente de alimentación y/o batería, cogerla o transportarla.

El transporte de herramientas eléctricas con el dedo en el interruptor o el encendido de herramientas eléctricas con el interruptor encendido puede provocar accidentes.

- Retire las llaves de ajuste antes de encender la herramienta eléctrica.

Si se deja una llave en una pieza giratoria de la herramienta eléctrica podrían producirse daños personales.

- No se extralimite. Mantenga un equilibrio adecuado en todo momento.

Esto permite un mayor control de la herramienta eléctrica en situaciones inesperadas.

- Vístase adecuadamente. No lleve prendas sueltas o joyas. Mantenga el pelo, la ropa y los guantes alejados de las piezas móviles.

La ropa suelta, las joyas y el pelo largo pueden pillarse en las piezas móviles.

- Si se proporcionan dispositivos para la conexión de extracción de polvo e instalaciones de recogida, asegúrese de que están conectados y se utilizan adecuadamente.

La utilización de un sistema de recogida de polvo puede reducir los riesgos relacionados con el polvo.

#### 4) Utilización y mantenimiento de las herramientas eléctricas

- No fuerce la herramienta eléctrica. Utilice la herramienta eléctrica correcta para su aplicación.

La herramienta eléctrica correcta trabajará mejor y de forma más segura si se utiliza a la velocidad para la que fue diseñada.

- No utilice la herramienta eléctrica si el interruptor no la enciende y apaga.

Las herramientas eléctricas que no pueden controlarse con el interruptor son peligrosas y deben repararse.

- Desconecte el enchufe de la fuente eléctrica y/o la batería de la herramienta eléctrica antes de hacer ajustes, cambiar accesorios o almacenar herramientas eléctricas.

Estas medidas de seguridad preventivas reducen el riesgo de que la herramienta eléctrica se ponga en marcha accidentalmente.

- Guarde las herramientas eléctricas que no se utilicen para que no las cojan los niños y no permita que utilicen las herramientas eléctricas personas no familiarizadas con las mismas o con estas instrucciones.

Las herramientas eléctricas son peligrosas si son utilizadas por usuarios sin formación.

- e) **Mantenimiento de las herramientas eléctricas.** Compruebe si las piezas móviles están mal alineadas o unidas, si hay alguna pieza rota u otra condición que pudiera afectar al funcionamiento de las herramientas eléctricas. Si la herramienta eléctrica está dañada, llévela a reparar antes de utilizarla.

*Se producen muchos accidentes por no realizar un mantenimiento correcto de las herramientas eléctricas.*

- f) **Mantenga las herramientas de corte afiladas y limpias.** Las herramientas de corte correctamente mantenidas con los bordes de corte afilados son más fáciles de controlar.

- g) **Utilice la herramienta eléctrica, los accesorios y las brocas de la herramienta, etc. de acuerdo con estas instrucciones, teniendo en cuenta las condiciones laborales y el trabajo que se va a realizar.**

*La utilización de la herramienta eléctrica para operaciones diferentes a aquellas pretendidas podría dar lugar a una situación peligrosa.*

**5) Revisión**

- a) **Lleve su herramienta a que la revise un experto cualificado que utilice sólo piezas de repuesto idénticas.** Esto garantizará el mantenimiento de la seguridad de la herramienta eléctrica.

**PRECAUCIÓN**

**Mantenga a los niños y a las personas enfermas alejadas. Cuando no se utilicen, las herramientas deben almacenarse fuera del alcance de los niños y de las personas enfermas.**

**PRECAUCIONES AL USAR EL MARTILLO PERFORADOR**

- Utilice protectores auditivos.**  
La exposición al ruido puede provocar una pérdida de audibilidad.
- Utilice los mangos auxiliares proporcionados con la herramienta.**  
La pérdida de control puede causar daños personales.
- No tocar la broca durante ni inmediatamente después de trabajar, puesto que se pone ardiente y puede causar quemaduras serias.
- Antes de empezar a romper, picar o perforar en una pared, suelo o techo, comprobar cuidadosamente que no hayan objetos empotrados, tales como cables o conductos eléctricos.
- Sujetar siempre firmemente el asidero del cuerpo y el asidero lateral de la herramienta. De lo contrario, la contrafuerza producida podría causar un funcionamiento impreciso e incluso peligroso.
- Utilice máscara para el polvo  
No inhale el polvo dañino generado al perforar. El polvo puede poner en peligro su salud y la de los viandantes.

**ESPECIFICACIONES**

Voltaje (por áreas)*	(110V, 115V, 120V, 127V, 220V, 230V, 240V) ~
Acometida	620W*
Velocidad sin carga	0 – 1500 / min
Velocidad de percusión a carga plena	0 – 6200 / min
Capacidad: hormigón	3,4 – 22 mm
acero	13 mm
madera	24 mm
Peso (sin cable ni mango lateral)	1,9 kg

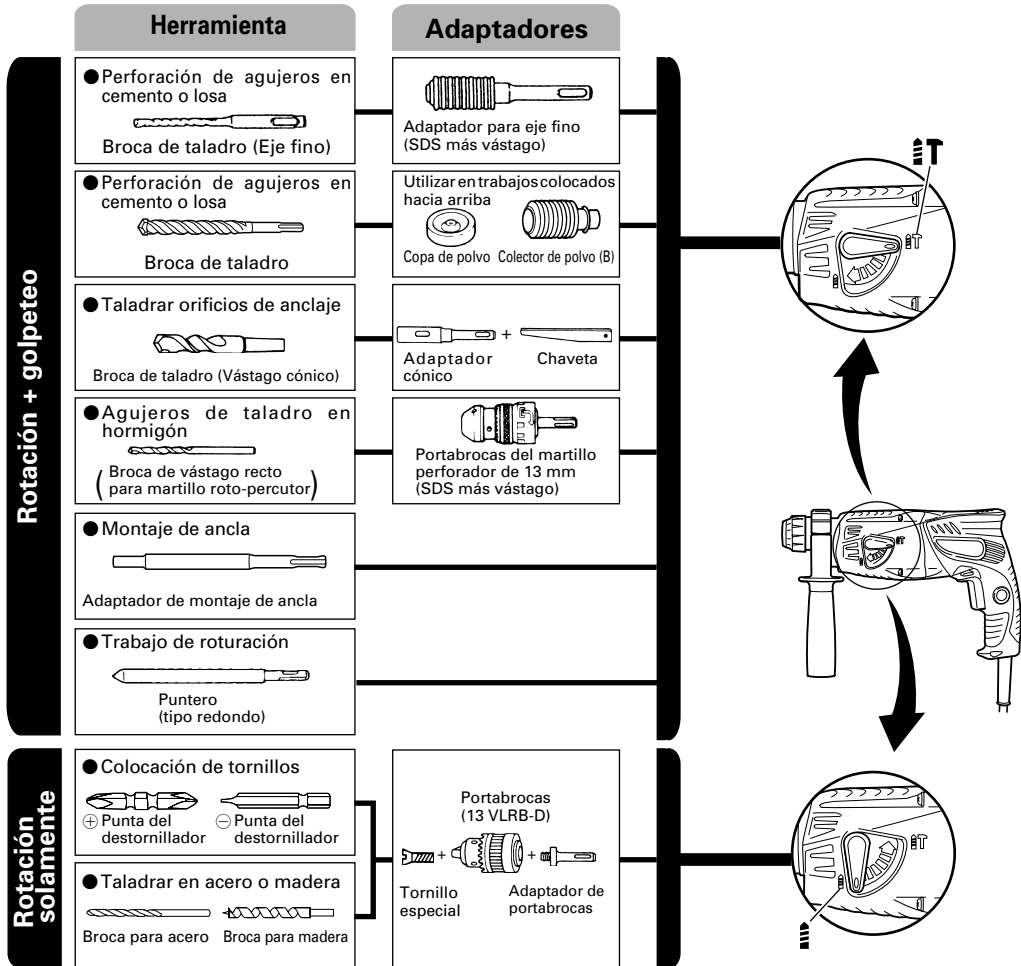
\* Verificar indefectiblemente los datos de la placa de características de la máquina, pues varían de acuerdo con el país de destino.

**ACCESORIOS ESTANDAR**

- (1) Caja de plástico ..... 1  
 (2) Mango lateral ..... 1  
 (3) Calibre de profundidad ..... 1

Los accesorios estándar están sujetos a cambio sin previo aviso.

ACCESORIOS FACULTATIVOS (de venta por separado)



● Perforación de agujeros en cemento o losa

Broca de taladro (Eje fino)		
Diám. externo	Longitud total	Longitud efectiva
3,4 mm	90 mm	45 mm
3,5 mm		

Broca SDS-plus		
Diám. externo	Longitud total	Longitud efectiva
4,0 mm	110 mm	50 mm
5,0 mm	110 mm	50 mm
	160 mm	100 mm
5,5 mm	110 mm	50 mm
6,5 mm	160 mm	100 mm
7,0 mm	160 mm	100 mm
8,0 mm	160 mm	100 mm
8,5 mm	160 mm	100 mm
9,0 mm	160 mm	100 mm
12,0 mm	166 mm	100 mm
	260 mm	200 mm
12,7 mm	166 mm	100 mm
14,0 mm	166 mm	100 mm
15,0 mm	166 mm	100 mm
16,0 mm	166 mm	100 mm
	260 mm	200 mm
17,0 mm	166 mm	100 mm
19,0 mm	260 mm	200 mm
20,0 mm	250 mm	200 mm
22,0 mm	250 mm	200 mm

● Taladrar orificios de anclaje

Adaptador cónico
Modo cónico
Cono Morse (No.1)
Cono Morse (No.2)
Cono A
Cono B

● Montaje de ancla

Adaptador de montaje de ancla
Medida de ancla
W 1/4"
W 5/16"
W 3/8"

Los accesorios de norma están sujetos a cambio sin previo aviso.

## APLICACION

Rotación y función de golpeteo

- Perforación de orificios de anclaje
- Perforación de orificios de hormigón
- Perforación de orificios de baldosa

Rotación solamente

- Perforación de orificios en hormigón o madera (con accesorios facultativos)
- Apretar tornillos en metal o madera (con accesorios facultativos)

## ANTES DE LA PUESTA EN MARCHA

### 1. Alimentación

Asegurarse de que la alimentación de red que ha de ser utilizada responda a las exigencias de corriente especificadas en la placa de características del producto.

### 2. Conmutador de alimentación

Asegurarse de que el conmutador de alimentación esté en la posición OFF (desconectado). Si la clavija está conectada en la caja del enchufe mientras el conmutador de alimentación esté en posición ON (conectado) las herramientas eléctricas empezarán a trabajar inmediatamente, provocando un serio accidente.

### 3. Cable de prolongación

Cuando está alejada el área de trabajo de la red de alimentación, usar un cable de prolongación de un grosor y potencia nominal suficiente. El cable de prolongación debe ser mantenido lo más corto posible.

### 4. Montaje de la broca (Fig. 1)

#### PRECAUCION

Para evitar accidentes, cerciórese de desactivar y de desconectar el enchufe del tomacorriente.

#### NOTA

Cuando utilice herramientas como por ejemplo: cinceles, brocas de taladro, etc., cerciórese de utilizar piezas genuinas diseñadas por nuestra compañía.

- (1) Limpie la parte del vástago de la broca de taladro.
  - (2) Inserte la broca de taladro girando en el sujetador de la herramienta hasta que se asegure bien (Fig. 1).
  - (3) Verifique si esta bien asegurado tirando de la broca de taladro.
  - (4) Para extraer la broca, tire completamente de la empuñadura en el sentido de la flecha y tire hacia afuera de la broca (Fig. 2).
5. Cuando instale la copa de polvo o el lector de polvo (B) (Accesorios facultativos)(Fig. 3, Fig. 4)

Cuando emplee un martillo perforador para trabajos de taladrado hacia arriba, extraiga el adaptador de recolección de polvo e instale una copa de polvo o un colector de polvo (B) para recolectar las partículas a fin de facilitar la operación.

- Instalación de la copa de polvo  
Emplee la copa de polvo instalando la broca como se muestra en la Fig. 3.  
Cuando emplee una broca de gran diámetro, agrande el orificio central de la copa de polvo con este martillo perforador.
- Instalación del colector de polvo (B)  
Para emplear el colector de polvo (B), Insértelo desde la punta de la broca alineándolo con la ranura de la empuñadura (Fig. 4).

**PRECAUCIÓN**

- La copa de polvo y el colector de polvo (B) son para emplearse exclusivamente en trabajos de perforación de hormigón. No los emplee para trabajar con madera o metal.
- Inserte completamente el colector de polvo (B) en la parte del portabrocas de la unidad principal.
- Cuando ponga en funcionamiento del martillo perforador mientras el colector de polvo (B) esté separado de la superficie de hormigón, dicho colector girará junto con la broca. Cerciórese de apretar el gatillo interruptor después de haber presionado la copa de polvo sobre la superficie de hormigón. (Cuando emplee la copa de polvo con una broca de no más de 190 mm de longitud total, el colector de polvo (B) no podrá tocar la superficie de hormigón girará. Por lo tanto, emplee el colector de polvo (B) con brocas de 166, 160, y 110 mm de longitud total.)
- Vacíe las partículas del colector de polvo (B) después de haber taladrado dos o tres orificios.
- Después de haber extraído el colector de polvo (B), vuelva a colocar a broca.

**6. Selección de la broca destornillador**

Puede dañarse las cabezas de tornillos y las brocas de atornillar menos que se emplee la broca apropiada según sea el diámetro del tornillo.

**7. Confirmar la dirección de rotación de la broca (Fig. 5)**

La broca gira en el sentido de las agujas del reloj (visto desde el lado trasero) empujando el lado R del botón.


Si empuja el lado L del botón, la broca girará en sentido contrario a las agujas del reloj.

- (2) Presionar el interruptor de gatillo después de poner la punta de la broca en la posición para taladrar (Fig. 7).
- (3) No es necesario presionar con fuerza la broca. Presionar ligeramente la broca de forma que el polvo producido al taladrar salga al exterior gradualmente.

**PRECAUCIÓN**

Cuando la broca toque una barra de hierro de construcción se detendrá inmediatamente y el martillo perforador tenderá a girar. Por lo tanto, sujetar el mango lateral y sostenerlo firmemente como se ilustra en la Fig. 7.

**3. Rotación solamente**

Este martillo perforador se puede ajustar exclusivamente en modo giratorio. Para ello, basta con girar la palanca de ajuste hasta la posición de la marca  (Fig. 8).

Para perforar madera o metal empleando el portabrocas y el adaptador del portabrocas (accesorio facultativo), proceder como sigue.

Instalación del portabrocas y adaptador del portabrocas (Fig. 9).

- (1) Instale la broca en el adaptador del portabrocas.
- (2) La parte del SDS más vástago es igual que una broca. Por lo tanto, para instalarla, consulte "Montaje de la broca".

**PRECAUCIÓN**

- La aplicación de fuerza excesiva acelerará el trabajo pero dañará la punta de la broca y reducirá la vida útil del martillo perforador.
- La broca puede salirse al quitar el martillo perforador del orificio perforado. Para extraer esta herramienta es importante empujar hacia de lante.
- No intentar perforar orificios de anclaje o perforar el concreto con la máquina puesta en la función de rotación solamente.
- No intentar usar el martillo perforador en la función de rotación y golpeteo con el portabrocas y el adaptador del portabrocas instalados. Esto reducirá considerablemente la vida útil de cada componente de la máquina.

**4. Cuando coloque tornillos para metal (Fig. 10)**

En primer lugar, inserte la broca en el cubo del extremo del adaptador (D) de portabroca.

A continuación, monte el adaptador (D) de portabroca en la unidad principal empleando los procedimientos descritos en 4 (1), (2), y (3), coloque la punta de la broca en las ranuras de la cabeza del tornillo, sujete la unidad principal, y apriete el tornillo.

**PRECAUCIÓN**

- Tener cuidado en no prolongar excesivamente el accionamiento de la herramienta, ya que de lo contrario, pueden dañarse los tornillos por el exceso de fuerza.
- Colocar el martillo perforador en forma perpendicular sobre la cabeza del tornillo al atornillarlo, ya que en caso contrario, puede dañarse la cabeza del tornillo o la broca, e incluso, la fuerza de accionamiento puede que no se transfiera por completo al tornillo.
- No intente emplear la perforadora de percusión en la función de rotación y golpeteo con el adaptador de portabroca y la broca instalados.

**5. Atornillando tornillos para madera (Fig. 10)**

- (1) Escoger una broca destornillador apropiada y emplear tornillos con cabeza +, en lo posible, debido a que los tornillos con cabeza - hacen que se zafe fácilmente el destornillador.

**COMO SE USA****PRECAUCIÓN**


Para evitar accidentes, cerciórese de poner este interruptor en OFF y de desconectar el enchufe del tomacorriente cuando instale o extraiga brocas y otras piezas. El interruptor de alimentación también deberá ponerse en OFF durante un descanso en el trabajo y después de haber finalizado dicho trabajo.

**1. Operación del conmutador**

La velocidad rotatoria de la broca de taladro puede ser controlada variando la fuerza con la que se aprieta el pulsador. La velocidad está baja cuando se aprieta ligeramente el pulsador y se aumenta al apretar más el pulsador. La operación continua puede ser alcanzada apretando el pulsador y apretando hacia abajo el dispositivo de ajuste. Para poner el pulsador en OFF (desconectado) volver a apretar el pulsador para desconectar el dispositivo de ajuste, y soltar el pulsador a su posición normal.

No obstante, el disparador de conmutador sólo puede activarse a medio camino durante el reverso y gira a la mitad de velocidad de la operación de avance. El tope del conmutador no puede utilizarse durante el reverso.

**2. Rotación + golpeteo**

Este martillo perforador se puede ajustar en modo giratorio y en modo de martillo. Para ello, basta con girar la palanca de ajuste hasta la posición de la marca  (Fig. 6).

- (1) Montar la broca.

## (2) Atornillado

- Antes de atornillar los tornillos para madera, hay que hacer orificios apropiados en la madera, aplicando luego la broca destornillador en la cabeza del tornillo y colocar así éste en los orificios.
- Luego de hacer rotar la herramienta lentamente hasta que el tornillo quede parcialmente metido en la madera, apretar más el gatillo para obtener la fuerza óptima de atornillado.

### PRECAUCIÓN

Tener cuidado al preparar el orificio para que sea apropiado para el tornillo, teniendo en cuenta la dureza de la madera. Si el orificio es excesivamente pequeño o estrecho, se requiere mucha fuerza para atornillar y a veces puede dañarse la rosca.

### 6. Modo de usar el tope (Fig. 11)

- (1) Afloje el perno de perilla del asa lateral, e inserte el retenedor en el surco en U de dicha asa lateral.
- (2) Ajustar la posición del retenedor de acuerdo a la profundidad del agujero, y apretar firmemente el perno de perilla.

### 7. Modo de usar la broca (espiga ahusada) y el adaptador de la espiga ahusada

- (1) Montar el adaptador de la espiga ahusada en el martillo perforador (Fig. 12).
- (2) Montar la broca (espiga ahusada) en el adaptador de la espiga ahusada (Fig. 12).
- (3) Poner el interruptor en la posición de encendido (ON), y taladrar un agujero de la profundidad especificada.
- (4) Para quitar la broca (espiga ahusada), insertar la chaveta en la ranura del adaptador de la espiga ahusada y golpear la cabeza de la chaveta con un martillo. Usar apoyos como se muestra en la Fig. 13.

---

## LUBRICACION

A este martillo perforador deberá aplicársele grasa de baja viscosidad, de esta forma, el martillo podrá usarse durante un largo período de tiempo sin cambiar de grasa. Ponerse por favor en contacto con el agente de reparaciones más cercano para cambiar la grasa si ésta se escapase a través de los tornillos flojos.

La falta de grasa hará que el martillo perforador se agarrote disminuyendo por lo tanto su duración.

### PRECAUCIÓN

En esta herramienta deberá usarse la grasa especificada. El uso de otras grasas podría afectar negativamente al rendimiento. Cerciórese de preguntar a sus agentes de servicio por la grasa de repuesto.

---

## MANTENIMIENTO E INSPECCION

### 1. Inspeccionar la broca de taladro

Debido a que el uso de brocas desafiladas pueden causar mal funcionamiento del motor y desmejorar la eficacia del taladro, hay que reemplazar las brocas en malas condiciones por nuevas o afilarlas de inmediato al advertir abrasión.

### 2. Inspeccionar los tornillos de montaje

Regularmente inspeccionar todos los tornillos de montaje y asegurarse de que estén apretados firmemente. Si cualquier tornillo estuviera suelto, volver a apretarlo inmediatamente. El no hacer esto provocaría un riesgo serio.

### 3. Mantenimiento de motor

La unidad de bobinado del motor es el verdadero corazón de las herramientas eléctricas. Prestar el mayor cuidado y asegurarse de que el bobinado no se dañe y/o se humedezca con aceite o agua.

### 4. Inspección de las escobillas

Por motivos de seguridad contra descargas eléctricas, la inspección y el reemplazo de las escobillas deberán realizarse solamente en un centro de servicio autorizado por Hitachi.

### 5. Reemplazo del cable de alimentación

Si el cable de alimentación de la herramienta está dañado, envíe la herramienta al Centro de Servicio Autorizado de Hitachi para que le cambien el cable de alimentación.

### 6. Lista de repuestos

- A: N°. ítem
- B: N°. código
- C: N°. usado
- D: Observaciones

### PRECAUCIÓN

La reparación, modificación e inspección de las herramientas eléctricas Hitachi deben ser realizadas por un Centro de Servicio Autorizado de Hitachi.

Esta lista de repuestos será de utilidad si es presentada junto con la herramienta al Centro de Servicio Autorizado de Hitachi, para solicitar la reparación o cualquier otro tipo de mantenimiento.

En el manejo y el mantenimiento de las herramientas eléctricas, se deberán observar las normas y reglamentos vigentes en cada país.

### MODIFICACIONES

Hitachi Power Tools introduce constantemente mejoras y modificaciones para incorporar los últimos avances tecnológicos.

Por consiguiente, algunas partes (por ejemplo, números de códigos y/o diseño) pueden ser modificadas sin previo aviso.

---

### NOTA

Debido al programa continuo de investigación y desarrollo de HITACHI estas especificaciones están sujetas a cambio sin previo aviso.

---



## AVISOS GERAIS DE SEGURANÇA PARA A FERRAMENTA ELÉTRICA

### ⚠ AVISO

Leia todas as instruções e avisos de segurança.

Se não seguir todas as instruções e os avisos, pode provocar um choque eléctrico, incêndio e/ou ferimentos graves.

Guarde todos os avisos e instruções para referência futura. O termo “ferramenta eléctrica” em todos os avisos refere-se à sua ferramenta ligada à corrente (com fios) ou à ferramenta eléctrica a baterias (sem fios).

#### 1) Segurança da área de trabalho

- a) Mantenha a área de trabalho limpa e bem iluminada.

*As áreas escuras ou cheias de material são propícias aos acidentes.*

- b) Não trabalhe com ferramentas eléctricas em ambientes explosivos, tais como na presença de líquidos inflamáveis, gases ou pó.

*As ferramentas eléctricas criam faíscas que podem inflamar o pó ou a fumaça.*

- c) Mantenha as crianças e outras pessoas afastadas quando trabalhar com uma ferramenta eléctrica.

*As distrações podem fazer com que perca controle.*

#### 2) Segurança eléctrica

- a) Os plagues da ferramenta eléctrica devem corresponder às tomadas.

*Nunca modifique os plagues.*

**Não utilize o plague adaptadores com ferramentas eléctricas ligadas à terra.**

*Os plagues não modificados e tomadas correspondentes reduzirão o risco de choques eléctricos.*

- b) Evite contato corporal com superfícies ligadas à terra, tais como tubos, radiadores, máquinas e frigoríficos.

*Existe um risco acrescido de choque eléctrico se o seu corpo estiver ligado à terra.*

- c) Não exponha ferramentas eléctricas à chuva ou condições de umidade.

*A entrada de água numa ferramenta eléctrica aumentará o risco de choques eléctricos.*

- d) Não abuse do fio. Nunca utilize o fio para transportar, puxar ou desligar a ferramenta eléctrica.

*Mantenha o fio afastado do calor, óleo, margens afiadas ou peças em movimento.*

*Os fios danificados ou entrelaçados podem aumentar o risco de choques eléctricos.*

- e) Quando trabalhar com uma ferramenta eléctrica no exterior, utilize uma extensão adequada para utilização exterior.

*A utilização de um fio adequado para utilização no exterior reduz o risco de choques eléctricos.*

- f) Se não for possível evitar a utilização de uma máquina eléctrica num local úmido, utilize uma fonte de alimentação protegida por um dispositivo de corrente residual (RCD).

*A utilização de um RCD reduz o risco de choque eléctrico.*

#### 3) Segurança pessoal

- a) Mantenha-se alerta, esteja atento ao que está fazendo e utilize senso comum quando trabalhar com uma ferramenta eléctrica.

**Não utilize uma ferramenta eléctrica quando estiver cansado ou sob a influência de drogas, álcool ou medicamentos.**

*Um momento de desatenção enquanto trabalha com ferramentas eléctricas pode resultar em ferimentos pessoais graves.*

- b) **Utilize equipamento de protecção pessoal. Utilize sempre protecção para os olhos.**

*O equipamento de protecção, tal como uma máscara de pó, sapatos de segurança anti-derrapantes, chapéu rígido ou protecção auricular utilizados para condições adequadas reduzirá os ferimentos pessoais.*

- c) **Evite ligar por acidente. Certifique-se de que o interruptor está na posição de desligado antes de ligar a fonte de alimentação e/ou bateria, levantar ou transportar a ferramenta.**

*Transportar ferramentas eléctricas com o dedo no interruptor ou ativar ferramentas que estão com o interruptor ligado é propício a acidentes.*

- d) **Remova qualquer chave de parafusos ou chave-inglesa de regulação antes de ligar a ferramenta.**

*Uma chave-inglesa ou de parafusos ligada à parte rotativa da ferramenta pode provocar ferimentos pessoais.*

- e) **Não se estique. Mantenha sempre o controle e equilíbrio adequados.**

*Isto permite obter um melhor controle da ferramenta em situações inesperadas.*

- f) **Use vestuário adequado. Não use roupas largas ou jóias. Mantenha o cabelo, roupas e luvas afastados das peças móveis.**

*As roupas largas, jóias ou cabelo comprido podem ficar presos em peças móveis.*

- g) **Se forem fornecidos dispositivos para a ligação de extratores de pó e dispositivos coletores, certifique-se de que estes estão ligados e são utilizados adequadamente.**

*A utilização de um coletor de poeira pode reduzir os perigos relacionados com o pó.*

#### 4) Utilização da ferramenta e manutenção

- a) **Não force a ferramenta eléctrica. Utilize a ferramenta correcta para a sua aplicação.**

*A ferramenta correcta fará o trabalho melhor e com mais segurança à velocidade para a qual foi concebida.*

- b) **Não utilize a ferramenta eléctrica se o interruptor não a ligar ou desligar.**

*Qualquer ferramenta que não possa ser controlada com o interruptor é perigosa e deve ser reparada.*

- c) **Desligue o plugue da tomada antes e/ou a bateria da ferramenta eléctrica antes de efetuar quaisquer regulações, mudar os acessórios ou guardar ferramentas eléctricas.**

*Tais medidas de segurança de prevenção reduzem o risco de ligar a ferramenta eléctrica acidentalmente.*

- d) **Guarde as ferramentas eléctricas fora do alcance de crianças e não permita que pessoas não habituadas à ferramenta eléctrica ou estas instruções trabalhem com a ferramenta.**

*As ferramentas eléctricas são perigosas nas mãos de utilizadores inexperientes.*

- e) **Efetue a manutenção de ferramentas eléctricas. Verifique a existência de desalinhamentos ou dobragens das peças móveis, quebras de peças e quaisquer outras condições que possam afetar o funcionamento das ferramentas eléctricas.**

*Se danificada, mande reparar a ferramenta antes de utilizar.*

*Muitos acidentes são causados por ferramentas com má manutenção.*

**f) Mantenha as ferramentas de corte afiadas e limpas.**

*As ferramentas de corte com uma manutenção adequada e extremidades afiadas são menos propensas a dobrar e mais fáceis de controlar.*

**g) Utilize a ferramenta elétrica, acessórios e pontas de ferramentas, etc., de acordo com estas instruções, tomando em consideração as condições de trabalho e o trabalho a ser efetuado.**  
*A utilização de uma ferramenta elétrica para operações diferentes das concebidas pode resultar num mau funcionamento.*

**5) Manutenção**

**a) Faça a manutenção da sua ferramenta elétrica por um pessoal técnico qualificado e utilize apenas peças de substituição idênticas.**

*Isto garantirá que a segurança da ferramenta elétrica é mantida.*

**AVISO**

**Mantenha afastadas das crianças e pessoas doentes.**

**Quando não estiverem sendo utilizadas, as ferramentas devem ser guardadas fora do alcance de crianças e pessoas doentes.**

## ESPECIFICAÇÕES

Voltagem (por áreas)*	(110V, 115V, 120V, 127V, 220V, 230V, 240V) $\surd$
Potência de entrada	620W*
Rotação sem carga	0 – 1500 / min
Taxa de impacto com carga completa	0 – 6200 / min
Capacidade: concreto	3,4 – 22 mm
aço	13 mm
madeira	24 mm
Peso (sem fio nem empunhadura lateral)	1,9 kg

\* Não deixe de verificar a voltagem na placa identificadora constante do produto, pois ela está sujeita a mudanças conforme a área.

## ACESSÓRIOS-PADRÃO

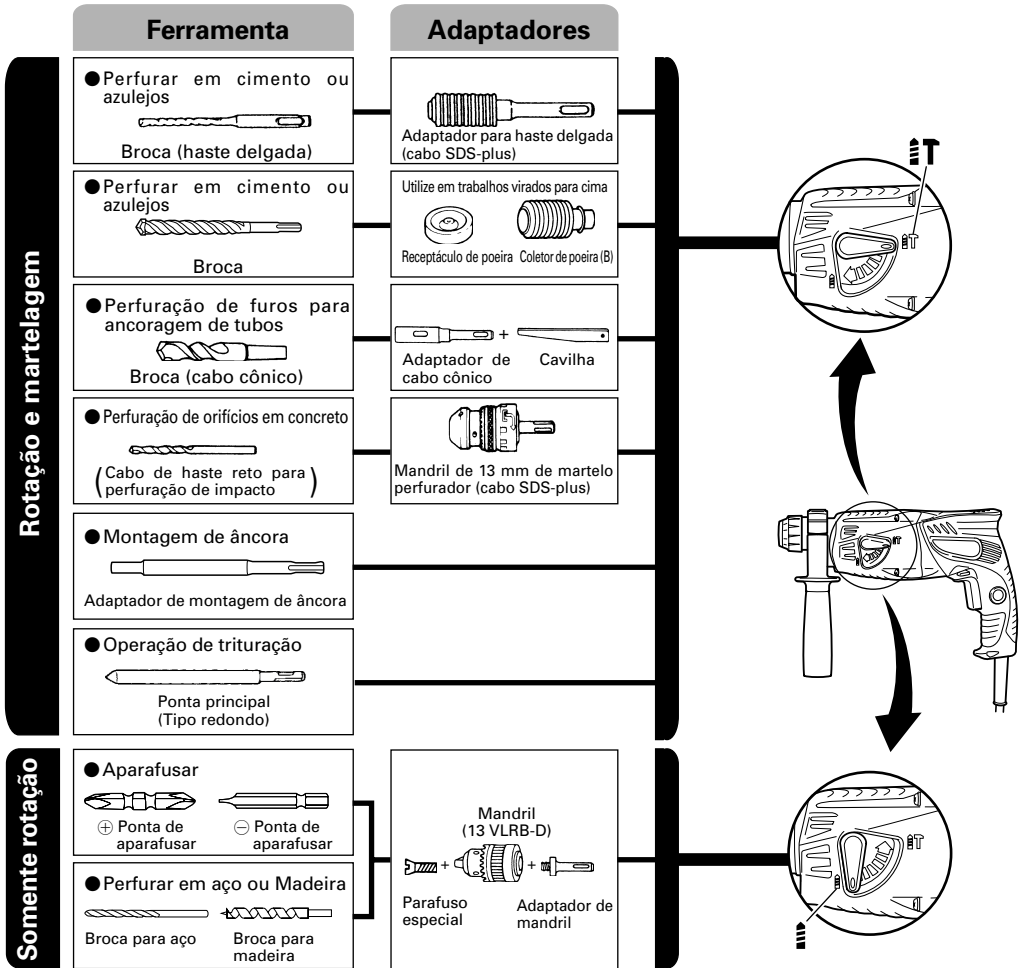
- (1) Estojo de plástico ..... 1
- (2) Empunhadura lateral ..... 1
- (3) Sonda ..... 1

Os acessórios-padrão estão sujeitos a mudanças sem aviso prévio.

## PRECAUÇÕES QUANTO AO USO DO MARTELO PERFURADOR

1. **Use protetores auriculares.**  
A exposição aos ruídos pode provocar perda de audição.
2. **Utilize as empunhaduras auxiliares fornecidas com a ferramenta.**  
A perda de controle pode provocar lesões.
3. Não toque o palhetão durante ou imediatamente depois da operação. O palhetão fica muito quente durante a operação e pode causar graves queimaduras.
4. Antes de começar a quebrar, cortar ou furar paredes, chão ou teto, verifique minuciosamente se não existem cabos elétricos ou condutos embutidos nesses locais.
5. Segure sempre com firmeza as empunhaduras do corpo e lateral da ferramenta elétrica. Se isto não for feito, a força contrária produzida pode resultar numa operação imprecisa e até mesmo perigosa.
6. Use uma máscara de poeira  
Não inale as poeiras nocivas produzidas nos trabalhos de perfuração e burilagem. As poeiras podem pôr em perigo a sua saúde e a dos que o rodeiam.

**ACESSÓRIOS OPCIONAIS (vendidos separadamente)**



● Perfurar em cimento ou azulejos

Broca (haste delgada)		
Dia. exterior	Comprimento total	Comprimento efetivo
3,4 mm	90 mm	45 mm
3,5 mm		

Broca SDS-plus		
Dia. exterior	Comprimento total	Comprimento efetivo
4,0 mm	110 mm	50 mm
5,0 mm	110 mm	50 mm
	160 mm	100 mm
5,5 mm	110 mm	50 mm
6,5 mm	160 mm	100 mm
7,0 mm	160 mm	100 mm
8,0 mm	160 mm	100 mm
8,5 mm	160 mm	100 mm
9,0 mm	160 mm	100 mm
12,0 mm	166 mm	100 mm
	260 mm	200 mm
12,7 mm	166 mm	100 mm
14,0 mm	166 mm	100 mm
15,0 mm	166 mm	100 mm
16,0 mm	166 mm	100 mm
	260 mm	200 mm
17,0 mm	166 mm	100 mm
19,0 mm	260 mm	200 mm
20,0 mm	250 mm	200 mm
22,0 mm	250 mm	200 mm

● Perfuração de furos para ancoragem de tubos

Adaptador de cabo cônico
Modo cônico
Mordente cônico (Nº 1)
Mordente cônico (Nº 2)
Cone A
Cone B

● Montagem de âncora

Adaptador de montagem de âncora
Tamanho da âncora
W 1/4"
W 5/16"
W 3/8"

Os acessórios opcionais estão sujeitos a mudanças sem aviso prévio.

## APLICAÇÕES

Função de rotação e martelagem

- Fazer furos ancorados
  - Fazer furos em concreto
  - Fazer furos em azulejo
- Função de rotação apenas
- Perfurar em aço ou madeira (com acessórios opcionais)
  - Apertar parafusos para metal, parafusos de madeira (com acessórios opcionais)

## ANTES DA OPERAÇÃO

### 1. Fonte de energia

Certifique-se de que a fonte de energia a ser utilizada está conforme às exigências especificadas na placa identificadora do produto.

### 2. Interruptor

Certifique-se de que o interruptor está na posição desligada. Se o plugue estiver conectado a um receptáculo quando o interruptor estiver ligado, a ferramenta elétrica vai começar a operar imediatamente, podendo provocar um grave acidente.

### 3. Cabo de extensão

Quando o local de trabalho não possuir uma fonte de energia, utilize um cabo de extensão de espessura e de potência nominal suficientes. A extensão deve ser mantida tão curta quanto possível.

### 4. Montagem da broca (Fig. 1)

#### CUIDADO

Para evitar acidentes, certifique-se de desligar o comutador e desconectar o plugue da tomada.

#### NOTA

Ao utilizar ferramentas como pontas macho, brocas, etc., certifique-se de usar peças genuínas indicadas por nossa empresa.

- (1) Limpe a parte da haste da broca.
- (2) Insira a broca enroscando-a no encaixe da ferramenta até que ela se trave sozinha (Fig. 1).
- (3) Verifique se a broca está travada puxando-a para fora.
- (4) Para retirar a broca, puxe completamente a garra na direção da seta e puxe a broca para fora (Fig. 2).

### 5. Instalação do receptáculo de poeira ou do coletor de poeira (B) (Acessórios opcionais) (Fig. 3, Fig. 4)

Para uma operação mais fácil, ao utilizar um martelo perfurador para fazer furos para cima, prenda um receptáculo de poeira ou um coletor de poeira (B) para recolher a poeira ou partículas que se soltam durante a operação.

- Instalação do receptáculo de poeira  
Use o receptáculo de poeira prendendo-o à broca, como mostra a Fig. 3.  
Ao utilizar uma broca que possua um diâmetro grande, aumente o furo do centro do receptáculo de poeira com este martelo perfurador.
- Instalação do coletor de poeira (B)  
Ao utilizar o coletor de poeira (B), insira-o a partir da ponta da broca alinhando-o com a ranhura da garra (Fig. 4).

#### CUIDADO

- O receptáculo de poeira e o coletor de poeira (B) são para uso exclusivo de trabalho de perfuração no concreto. Não os utilize para trabalhos de perfuração em madeira ou em metal.

- Insira o coletor de poeira (B) completamente no mandril do aparelho principal.
  - Ao ligar o martelo perfurador enquanto o coletor de poeira (B) estiver separado de uma superfície de concreto, esse coletor de poeira (B) vai girar junto com a broca. Certifique-se de ligar o interruptor depois de pressionar o receptáculo de poeira na superfície de concreto. (Ao utilizar o coletor de poeira (B) preso a uma broca que possui mais de 190 mm de comprimento total, o coletor de poeira (B) não pode tocar a superfície de concreto e vai girar. Portanto, utilize o coletor de poeira (B) prendendo-o às brocas de comprimento total de 166 mm, 160 mm e 110 mm.)
  - Jogue fora as partículas depois de dois ou três furos perfurados.
  - Substitua a broca depois de retirar o coletor de poeira (B).
- 6. Seleção do palhetão**  
As cabeças de parafusos ou os palhetões podem se danificar se uma broca não apropriada para o diâmetro do parafuso for utilizada para o trabalho de apertar os parafusos.
- 7. Confirme a direção da rotação do palhetão (Fig. 5)**  
A broca gira no sentido horário (vista a partir do lado de trás) ao se apertar o lado direito (R) da tecla. Aperta-se o lado esquerdo (L) da tecla para fazer com que a broca gire no sentido anti-horário.

## MODO DE USAR

### CUIDADO

Para evitar acidentes, certifique-se de desligar a máquina e desconectar o plugue da tomada para instalar ou retirar as brocas e outras peças. O interruptor também deve estar desligado durante a execução de um trabalho de quebra e depois de qualquer trabalho.


#### 1. Operação do interruptor

A velocidade de rotação da broca pode ser controlada sem etapas intermediárias variando-se a intensidade de aperto do gatilho do interruptor. A velocidade é baixa quando se aperta ligeiramente o gatilho e aumenta na medida em que o interruptor for sendo mais apertado. Consegue-se uma operação contínua ao se apertar o gatilho e pressionar a alavanca de parada. Para desligar o interruptor, aperte novamente o gatilho do interruptor para desengrenar a alavanca de parada e solte o gatilho para que ele volte à posição original.

Contudo, o gatilho do interruptor só pode ser premido até meio em modo reverso e roda a meia velocidade em modo avanço.

O interruptor de parada não funciona no modo reverso.

#### 2. Rotação e martelagem


Este martelo perfurador pode ser ajustado para o modo de rotação e de batimento de martelo rodando a alavanca de mudança para a marca  (Fig. 6).

- (1) Monte a broca.
- (2) Aperte o gatilho do interruptor depois de aplicar a ponta da broca na posição de perfuração (Fig. 7).
- (3) Não é necessário de jeito nenhum empurrar o martelo perfurador com força. Basta empurrá-lo ligeiramente de maneira que a poeira da perfuração saia gradualmente.

### CUIDADO

Quando a broca toca a barra de ferro da construção, ela pára imediatamente e o martelo perfurador reagirá tendo um movimento de rotação. Portanto, segure com firmeza a empunhadura e a empunhadura lateral, como mostra a Fig. 7.

#### 3. Somente rotação

Este martelo perfurador pode ser ajustado para o modo apenas rotação rodando a alavanca de mudança para a marca  (Fig. 8).

Para perfurar materiais de madeira ou de metal usando o mandril e o adaptador de mandril (acessórios opcionais) faça como se segue. Instalação do mandril e do adaptador de mandril (Fig. 9).

- (1) Prenda o mandril ao adaptador de mandril.
- (2) A parte do cabo SDS-plus é a mesma da broca. Para prender o mandril, siga os mesmos passos descritos em "Montagem da broca".

### CUIDADO

- A aplicação de força maior que a necessária pode apressar o trabalho, mas também vai deteriorar a ponta da broca, além de reduzir a vida útil do martelo perfurador.
- As brocas podem se romper ao se retirar o martelo perfurador do orifício perfurado. Na retirada, é importante fazer um movimento de empurrar.
- Não tente fazer orifícios de ancoragem de cabos ou furos no concreto com a máquina ajustada para a função de somente rotação.
- Não tente utilizar o martelo perfurador na função de rotação e martelada com o mandril e o adaptador de mandril instalados nela, do contrário a vida útil da cada um dos componentes da máquina se reduzirá drasticamente.

#### 4. Ao apertar parafusos de máquina (Fig. 10)

Insira primeiro o palhetão no suporte situado no fim do adaptador de mandril (D).

Depois, monte o adaptador de mandril (D) no corpo principal seguindo as instruções descritas em 4 (1), (2), (3). Ponha a ponta do palhetão nas fendas da cabeça do parafuso, segure o aparelho principal e aperte o parafuso.

### CUIDADO

- Preste atenção para não prolongar excessivamente o tempo de aparafusamento, do contrário os parafusos podem ficar danificados devido à força excessiva.
- Ao aparafusar, aplique o martelo perfurador perpendicularmente à cabeça do parafuso, do contrário, a cabeça do parafuso ou o palhetão serão danificados, ou a força motriz não será completamente transferida para o parafuso.
- Não tente utilizar o martelo perfurador na função de rotação e martelada com o adaptador de mandril e o palhetão instalados.

#### 5. Ao apertar parafusos de madeira (Fig. 10)

- (1) Seleção de um palhetão de fenda apropriado  
Se possível, use parafusos de cabeça Philips já que o palhetão de fenda escorrega facilmente para fora das cabeças dos parafusos que só tem uma fenda.
- (2) Aperto de parafusos na madeira
  - Antes de apertar os parafusos na madeira, faça orifícios-pilotos apropriados para eles na tábua de madeira. Aplique o palhetão nas ranhuras da cabeça do parafuso e aperte cuidadosamente os parafusos nos orifícios.

- Depois de girar o martelo perfurador em baixa velocidade por um tempo até que o parafuso esteja parcialmente preso à madeira, aperte o gatilho com mais força para obter a força motriz ótima.

## **CUIDADO**

Preste atenção ao preparar o orifício-piloto apropriado para o parafuso, levando em consideração a dureza da madeira. Se o orifício for excessivamente pequeno ou raso demais, requerendo muito mais força para aparafusar, a rosca desse parafuso poderá em alguns casos se danificar.

### **6. Utilização de sonda (Fig. 11)**

(1) **Afrouxe o botão da empunhadura lateral e insira a sonda no orifício de montagem do cabo.**

(2) Ajuste a posição da sonda de acordo com a profundidade do orifício e aperte firmemente o botão.

### **7. Como usar o palhetão (cabo cônico) e o adaptador de cabo cônico.**

(1) Monte o adaptador de cabo cônico no martelo perfurador (Fig. 12).

(2) Monte o palhetão (cabo cônico) no adaptador de cabo cônico (Fig. 12).

(3) Ligue a máquina e faça um furo na profundidade prescrita.

(4) Para retirar o palhetão (cabo cônico), insira a cavilha na ranhura do adaptador de cabo cônico e martele a cabeça da cavilha, apoiada em suportes (Fig. 13).

---

## **LUBRIFICAÇÃO**

Este martelo perfurador utiliza lubrificante de baixa viscosidade, de maneira que possa ser usado por um longo período de tempo sem ser trocado. Caso haja vazamento causado por um parafuso frouxo, entre em contato com a oficina de assistência técnica autorizada mais próxima para troca de lubrificante.

Utilizar o martelo perfurador com perda de lubrificante provocará emperramento da máquina, reduzindo sua vida útil.

## **CUIDADO**

Esta máquina utiliza um lubrificante especial. Seu desempenho pode, portanto, ser afetado negativamente com o uso de outro tipo de lubrificante. Não deixe de fazer a troca de lubrificante numa oficina autorizada.

---

## **MANUTENÇÃO E INSPEÇÃO**

### **1. Inspeção dos palhetões**

Como o uso de uma ferramenta cega provocará defeitos no motor e uma eficiência menor, substitua o palhetão por um novo ou mande afiá-lo sem demora quando notar o desgaste.

### **2. Inspeção dos parafusos de montagem**

Inspeccione regularmente todos os parafusos de montagem e se certifique de que estão corretamente apertados. Se algum deles estiver frouxo, reaperte-o imediatamente. Caso isso não seja feito, pode resultar em perigo grave.

### **3. Manutenção do motor**

A unidade de enrolamento do motor é o verdadeiro “coração” da ferramenta elétrica. Cuide bem para assegurar que o enrolamento não se danifique e/ou se molhe com óleo ou água.

### **4. Inspeção das escovas de carvão**

Para sua segurança duradoura e proteção contra choques elétricos, a inspeção das escovas de carvão e a substituição delas nesta ferramenta deve ser feita apenas numa Oficina Autorizada da Hitachi.

### **5. Substituição do cabo de alimentação**

Se o cabo de alimentação estiver danificado, a Ferramenta deve ser levada à Oficina Autorizada da Hitachi para substituição do mesmo.

### **6. Lista de peças para conserto**

A: Item N°

B: Código N°

C: N° Usado

D: Observações

## **CUIDADO**

Consertos, modificações e inspeção de Ferramentas Elétricas da Hitachi devem ser realizados por uma Oficina Autorizada da Hitachi.

Esta lista de peças pode ser útil se apresentada com a ferramenta na Oficina Autorizada da Hitachi ao solicitar conserto ou manutenção.

Na operação e na manutenção das ferramentas elétricas, devem-se observar as normas de segurança e os padrões prescritos por cada país.

## **MODIFICAÇÃO**

As Ferramentas Elétricas da Hitachi estão sempre sendo aperfeiçoadas e modificadas para incorporar os mais recentes avanços tecnológicos.

Dessa forma, algumas peças (isto é, números de código e/ou design) podem mudar sem aviso prévio.

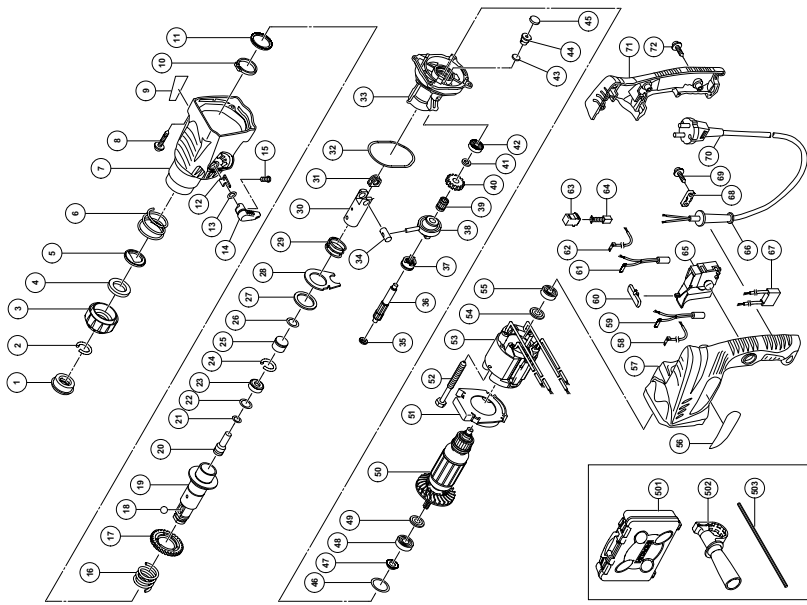
---

## **NOTA**

Devido ao contínuo programa de pesquisa e desenvolvimento da HITACHI, as especificações aqui contidas estão sujeitas a mudanças sem aviso prévio.

---

A	B	C	D	A	B	C	D
1	306-345	1		47	306-312	1	
2	306-340	1		48	609-DDC	1	609DDC3PS2-L
3	325-597	1		49	958-915	1	
4	327-879	1		50-1	360-798U	1	110V-120V "48,49,54,55"
5	324-526	1		50-2	360-798E	1	220V-230V
6	322-812	1		50-3	360-798F	1	240V
7	327-873	1		51	327-868	1	
8	305-490	4	D4X30	52	981-824	2	D4X45
9	965-469	1		53-1	340-701C	1	110V-120V
10	944-274	1		53-2	340-701E	1	220V-230V
11	327-875	1		54	982-631	1	240V
12	872-654	1	1AP-10	55	608-VVM	1	608VVC2PS2L
13	325-594	1		56		1	
14	949-213	1	M4X5	57	327-881	1	
15	306-334	1		58	324-537	1	
16	306-333	1		59	324-550	1	
17	959-156	1		60	322-853	1	
18	327-876	1	D7.0	61	324-552	1	
19	301-672	1		62	324-538	1	
20	311-814	1		63	955-203	2	
21	327-877	1		64	999-041	2	
22	306-340	1	P-15	65	324-536	1	
23	325-601	1		66-1	953-327	1	D8.8
24	306-326	1		66-2	938-051	1	D10.1
25	327-880	1		67	930-039	1	
26	325-588	1		68	937-631	1	
27	306-324	1		69	984-750	2	D4X16
28	321-007	1		70		1	
29	327-870	1		71	327-882	1	
30	327-869	1		72	301-653	3	D4X20
31	306-322	1		501	327-883	1	
32	325-587	1		502	324-548	1	
33	327-871	1		503	303-709	1	
34	325-584	1					
35	325-585	1					
36	306-320	1					
37	327-872	1					
38	995-634	1					
39	626-VVM	1	D12.5				
40	324-543	1	626VVC2PS2L				
41	324-545	1					
42	324-544	1					
43	878-609	1	S-24				



Issued by

 **Hitachi Koki Co., Ltd.**

Shinagawa Intercity Tower A, 15-1, Konan 2-chome,  
Minato-ku, Tokyo 108-6020, Japan

Distributed by

 **Hitachi Power Tools da Mexico, S. A. de C. V**

Francisco Petrarca No. 239 Local A  
Col. Chapultepec Morales C. P. 11570  
Mexico, D. F.

 **Hitachi Power Tools Panama, S. A.**

Avenida Balboa, Edif. BBVA,  
Piso 21 B-1, Panamá, Rep. de Panamá

904

Code No. C99159441 F  
Printed in China