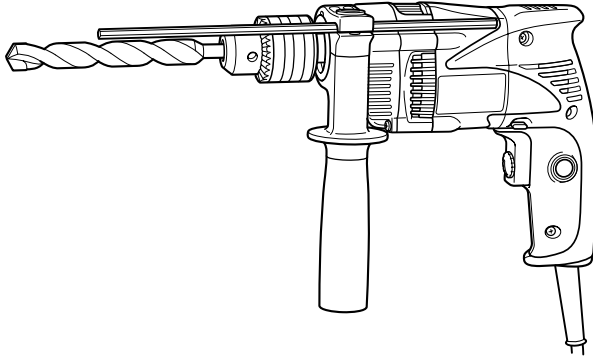


HITACHI

Impact Drill Taladro de percusión

DV 16V

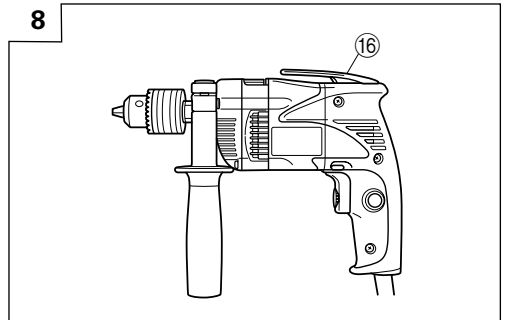
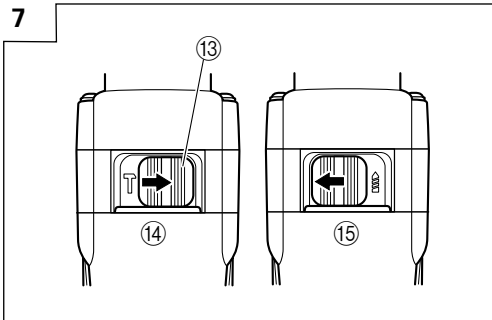
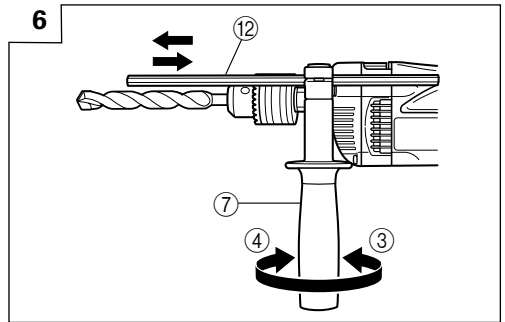
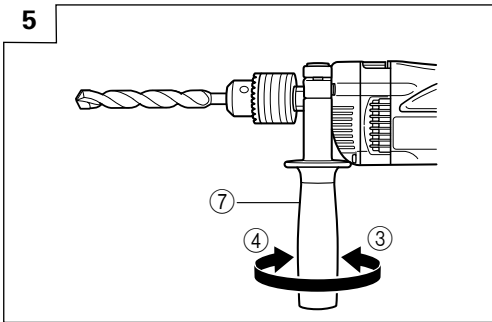
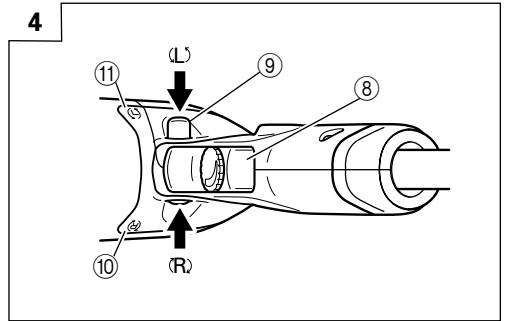
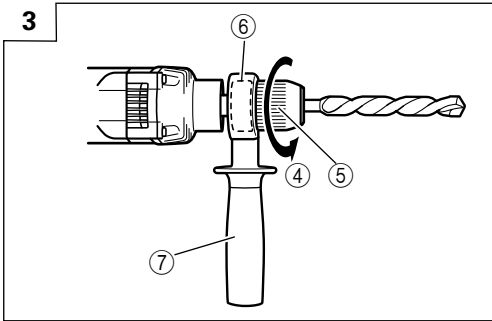
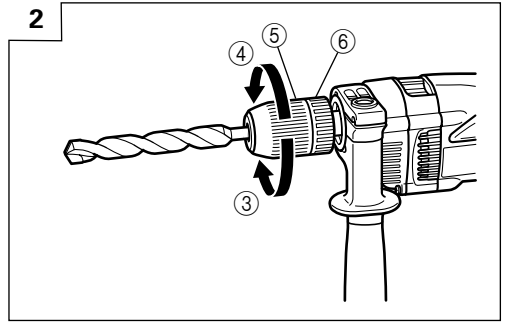
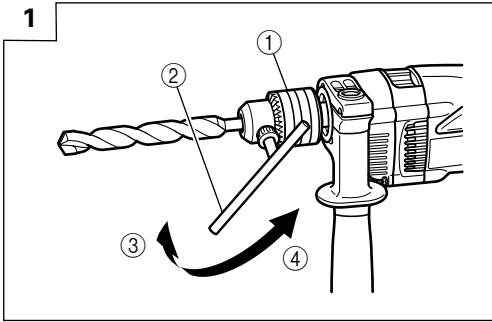


Read through carefully and understand these instructions before use.
Leer cuidadosamente y comprender estas instrucciones antes del uso.

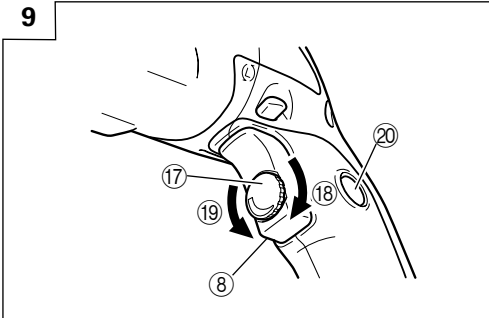


Handling instructions
Instrucciones de manejo

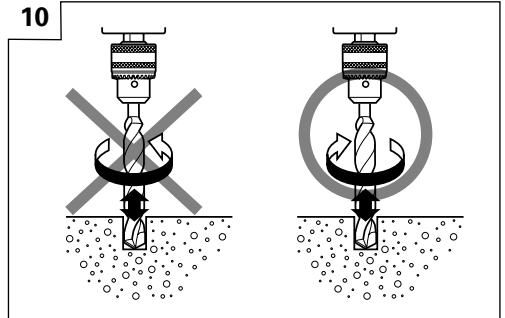
Hitachi Koki



9



10



	English	Español
①	Drill chuck	PortabrocasMandril
②	Chuck wrench	Llave
③	Tighten	Apretar
④	Loosen	Aflojar
⑤	Sleeve	Manguito
⑥	Ring	Anillo
⑦	Side handle	Asa lateral
⑧	Switch trigger	Interruptor de gatillo
⑨	Push button	Botón pulsador
⑩	(R) mark	Marca (R)
⑪	(L) mark	Marca (L)
⑫	Depth gauge	Calibrador de profundidad
⑬	Change leve	Palanca de cambio
⑭	Impact	Impacto
⑮	Rotation	Rotación
⑯	Hook (A)	Herramienta (A)
⑰	Speed control dial	Dial de control de velocidad
⑱	High speed	Alta velocidad
⑲	Low speed	Baja velocidad
⑳	Stopper	Tope

GENERAL POWER TOOL SAFETY WARNINGS

WARNING

Read all safety warnings and all instructions.

Failure to follow the warnings and instructions may result in electric shock, fire and/or serious injury.

Save all warnings and instructions for future reference.

The term "power tool" in the warnings refers to your mains-operated (corded) power tool or battery-operated (cordless) power tool.

1) Work area safety

- a) **Keep work area clean and well lit.**
Cluttered or dark areas invite accidents.
- b) **Do not operate power tools in explosive atmospheres, such as in the presence of flammable liquids, gases or dust.**
Power tools create sparks which may ignite the dust or fumes.
- c) **Keep children and bystanders away while operating a power tool.**
Distractions can cause you to lose control.

2) Electrical safety

- a) **Power tool plugs must match the outlet. Never modify the plug in any way. Do not use any adapter plugs with earthed (grounded) power tools.**
Unmodified plugs and matching outlets will reduce risk of electric shock.
- b) **Avoid body contact with earthed or grounded surfaces, such as pipes, radiators, ranges and refrigerators.**
There is an increased risk of electric shock if your body is earthed or grounded.
- c) **Do not expose power tools to rain or wet conditions.**
Water entering a power tool will increase the risk of electric shock.
- d) **Do not abuse the cord. Never use the cord for carrying, pulling or unplugging the power tool. Keep cord away from heat, oil, sharp edges or moving parts.**
Damaged or entangled cords increase the risk of electric shock.
- e) **When operating a power tool outdoors, use an extension cord suitable for outdoor use.**
Use of a cord suitable for outdoor use reduces the risk of electric shock.
- f) **If operating a power tool in a damp location is unavoidable, use a residual current device (RCD) protected supply.**
Use of an RCD reduces the risk of electric shock.

3) Personal safety

- a) **Stay alert, watch what you are doing and use common sense when operating a power tool. Do not use a power tool while you are tired or under the influence of drugs, alcohol or medication.**
A moment of inattention while operating power tools may result in serious personal injury.
- b) **Use personal protective equipment. Always wear eye protection.**
Protective equipment such as dust mask, non-skid safety shoes, hard hat, or hearing protection used for appropriate conditions will reduce personal injuries.
- c) **Prevent unintentional starting. Ensure the switch is in the off-position before connecting to power source and/or battery pack, picking up or carrying the tool.**

Carrying power tools with your finger on the switch or energising power tools that have the switch on invites accidents.

- d) **Remove any adjusting key or wrench before turning the power tool on.**
A wrench or a key left attached to a rotating part of the power tool may result in personal injury.
 - e) **Do not overreach. Keep proper footing and balance at all times.**
This enables better control of the power tool in unexpected situations.
 - f) **Dress properly. Do not wear loose clothing or jewellery. Keep your hair, clothing and gloves away from moving parts.**
Loose clothes, jewellery or long hair can be caught in moving parts.
 - g) **If devices are provided for the connection of dust extraction and collection facilities, ensure these are connected and properly used.**
Use of dust collection can reduce dust related hazards.
- #### 4) Power tool use and care
- a) **Do not force the power tool. Use the correct power tool for your application.**
The correct power tool will do the job better and safer at the rate for which it was designed.
 - b) **Do not use the power tool if the switch does not turn it on and off.**
Any power tool that cannot be controlled with the switch is dangerous and must be repaired.
 - c) **Disconnect the plug from the power source and/or the battery pack from the power tool before making any adjustments, changing accessories, or storing power tools.**
Such preventive safety measures reduce the risk of starting the power tool accidentally.
 - d) **Store idle power tools out of the reach of children and do not allow persons unfamiliar with the power tool or these instructions to operate the power tool. Power tools are dangerous in the hands of untrained users.**
 - e) **Maintain power tools. Check for misalignment or binding of moving parts, breakage of parts and any other condition that may affect the power tool's operation.**
If damaged, have the power tool repaired before use.
Many accidents are caused by poorly maintained power tools.
 - f) **Keep cutting tools sharp and clean.**
Properly maintained cutting tools with sharp cutting edges are less likely to bind and are easier to control.
 - g) **Use the power tool, accessories and tool bits etc. in accordance with these instructions, taking into account the working conditions and the work to be performed.**
Use of the power tool for operations different from those intended could result in a hazardous situation.
- #### 5) Service
- a) **Have your power tool serviced by a qualified repair person using only identical replacement parts.**
This will ensure that the safety of the power tool is maintained.

PRECAUTION

Keep children and infirm persons away.

When not in use, tools should be stored out of reach of children and infirm persons.

IMPACT DRILL SAFETY WARNINGS

- Wear ear protectors with impact drills.**
Exposure to noise can cause hearing loss.
- Use auxiliary handles supplied with the tool.**
Loss of control can cause personal injury.

SPECIFICATIONS

Voltage (by areas)*	(110V, 120V, 220V, 230V, 240V) ~	
Power input	590W*	
No load speed	0–2900 min ⁻¹	
Drill chuck capacity	13 mm	
Capacity	Steel	13 mm
	Concrete	16 mm
	Wood	25 mm
Full load impact rate	34500 min ⁻¹	
Weight (without cord)	1.5 kg	

*Be sure to check the nameplate on product as it is subject to change by areas.

STANDARD ACCESSORIES

- Chuck Wrench (Spec. only for chuck fitted with chuck wrench) 1
 - Side Handle 1
 - Depth Gauge 1
 - Plastic case 1
- Standard accessories are subject to change without notice.

OPTIONAL ACCESSORIES (sold separately)

- Impact Drill Bit (for concrete)
3.2 mm – 20 mm dia.
 - Hook (A)
- Optional accessories are subject to change without notice.

APPLICATIONS

- By combined actions of ROTATION and IMPACT:
Boring holes in hard materials (concrete, marble, granite, tiles, etc.)
- By ROTATIONAL action:
Boring holes in metal, wood and plastic.

PRIOR TO OPERATION

- Power source**
Ensure that the power source to be utilized conforms to the power requirements specified on the product nameplate.
- Power switch**
Ensure that the power switch is in the OFF position. If the plug is connected to a receptacle while the power switch is in the ON position, the power tool will start operating immediately, inviting serious accident.
- Extension cord**
When the work area is removed from the power source. Use an extension cord of sufficient thickness and rated capacity. The extension cord should be kept as short as practicable.

- Before drilling into walls, ceilings or floors, ensure that there are no concealed power cables inside.
- When boring concrete or similar hard materials in IMPACT mode, push the R-side of the push button. (Fig. 10)

4. Selecting the appropriate drill bit

- When boring concrete or stone
Use the drill bits specified in the Optional Accessories.
- When boring metal or plastic
Use an ordinary metalworking drill bit.
- When boring wood
Use an ordinary woodworking drill bit.
However, when drilling 6.5 mm or smaller holes, use a metalworking drill bit.

5. Mounting and dismounting of the bit.

For Drill chuck with chuck wrench (Fig. 1)

- Open the chuck jaws, and insert the bit into the chuck.
- Place the chuck wrench in each of the three holes in the chuck, and turn it in the clockwise direction (viewed from the front side). Tighten securely.
- To remove the bit, place the chuck wrench into one of the holes in the chuck and turn it in the counterclockwise direction.

For keyless chuck (Fig. 2)

- Open the chuck jaws, and insert the bit into the chuck.
To open the chuck jaws, hold the ring while turning the sleeve in the counterclockwise direction (viewed from the front side).
- Firmly grasp the ring and turn the sleeve in the clockwise direction. Tighten securely.
- To remove the bit, firmly grasp the ring and turn the sleeve in the counterclockwise direction.
- When the sleeve does not become loose any further, fix the side handle to retaining ring, hold side handle firmly, then turn the sleeve to loosen by hand. (Fig. 3)

6. Check the rotational direction (Fig. 4)

The bit rotates clockwise (viewed from the rear side) by pushing the R-side of the push button. The L-side of the push button is pushed to turn the bit counterclockwise.
(The (L) and (R) marks are provided on the body.)

CAUTION

Always use the impact drill with clockwise rotation, when using it as an impact drill.

7. Fixing the side handle (Fig. 5)

Attach the side handle to the mounting part.

Rotate the side handle grip in a clockwise direction to secure it.

Set the side handle to a position that is suited to the operation and then securely tighten the side handle grip.

To attach a depth gauge on the side handle, insert the gauge into the U-shaped groove on the side handle, adjust the position of the depth gauge in accordance with the desired depth of the hole, and firmly tighten the side handle grip. (Fig. 6)

8. IMPACT to ROTATION changeover (Fig. 7)

Shift the change lever between the right and left positions to switch easily between IMPACT (rotation and impact) and ROTATION (rotation only), respectively.

To bore holes in hard materials such as concrete, stone and tiles, shift the change lever to the right-hand position (as indicated by the **T** mark).

The drill bit operates by the combined actions of impact and rotation.

To bore holes in metal, wood and plastic, shift the change lever to the left-hand position (as indicated by the **I** mark). The drill bit operates by rotational action only, as in the case of a conventional electric drill.

CAUTION

- Do not use the Impact Drill in the IMPACT function if the material can be bored by rotation only. Such action will not only reduce drill efficiency, but may also damage the drill tip.
- Operating the Impact Drill with the change lever in mid-position may result in damage. When switching, make sure that you shift the change lever to the correct position.

9. Attaching the hook. (Optional accessory) (Fig. 8)

To attach the hook (A), it is necessary to disassemble the handle portion which covered the tool's electrical system. For your continued safety and electrical shock protection, installing the hook (A) on this drill should ONLY be performed by a HITACHI AUTHORIZED SERVICE CENTER.

CAUTION:

When the power tool is used with a hook fixed to it, pay attention to the following points:

- Before hanging the main unit from the waist belt, make sure that the drill has come to a complete stop. While it is suspended from the waist belt, the power plug must be disconnected from the power source.
- Do not walk about with the power tool hanging from the waist belt.
- In the case of operation in a high place, it is dangerous to drop the tool accidentally. If the hook is deformed or hung from the wrong position, there is danger that the hook will slip off and the tool will fall. Be careful to avoid danger.
- In making a through hole, the power tool sometimes shakes violently when the workpiece is pierced, from example. Be careful you are not hurt by the hook even if such situation happens.

HOW TO USE

1. Switch operation

- When the trigger is depressed, the tool rotates. When the trigger is released, the tool stops.
- The rotational speed of the drill can be controlled by varying the amount that the trigger switch is pulled. Speed is low when the trigger switch is pulled slightly and increases as the trigger switch is pulled more.
- The desired rotation speed can be pre-selected with the speed control dial.

Turn the speed control dial clockwise for higher speed and counterclockwise for lower speed. (Fig. 9)

- Pulling the trigger and pushing the stopper, it keeps the switched-on condition which is convenient for continuous running. When switching off, the stopper can be disconnected by pulling the trigger again.

2. When using as a Drill or an Impact Drill

(1) Pressing force of the drill

You cannot drill holes more quickly even if you press the drill with a stronger force than necessary. It not only damages tip of drill bit and decreases the efficiency of operation, but also shortens the life of the drill tip.

(2) In case of penetrating holes

Drill bits can be broken when the material being drilled is penetrated. It is important to decrease pressing force just before penetrating.

CAUTION

In continuous operation, conduct no-load operation for five seconds after completing a drilling job.

(3) When a thick drill bit is used

Your arm is subjected to larger reaction force when a thicker drill bit is used. Be careful not to be moved by the reaction force. For this, establish a foothold, hold the unit tightly with both hands perpendicularly to the material being drilled.

MAINTENANCE AND INSPECTION

1. Inspecting the drill bits

Since use of an abraded drill bits will cause motor malfunctioning and degraded efficiency, replace the drill bits with a new one or resharpening without delay when abrasion is noted.

2. Inspecting the mounting screws

Regularly inspect all mounting screws and ensure that they are properly tightened. Should any of the screws be loose, retighten them immediately. Failure to do so could result in serious hazard.

3. Maintenance of the motor

The motor unit winding is the very "heart" of the power tool. Exercise due care to ensure the winding does not become damaged and/or wet with oil or water.

4. Inspecting the carbon brushes

For your continued safety and electrical shock protection, carbon brush inspection and replacement on this tool should ONLY be performed by a HITACHI AUTHORIZED SERVICE CENTER.

5. Service parts list

- A: Item No.
- B: Code No.
- C: No. Used
- D: Remarks

CAUTION

Repair, modification and inspection of Hitachi Power Tools must be carried out by a Hitachi Authorized Service Center.

This Parts List will be helpful if presented with the tool to the Hitachi Authorized Service Center when requesting repair or other maintenance.

In the operation and maintenance of power tools, the safety regulations and standards prescribed in each country must be observed.

MODIFICATION

Hitachi Power Tools are constantly being improved and modified to incorporate the latest technological advancements.

Accordingly, some parts (i.e. code numbers and/or design) may be changed without prior notice.

NOTE

Due to HITACHI's continuing program of research and development, the specifications herein are subject to change without prior notice.

ADVERTENCIAS DE SEGURIDAD GENERAL DE LA HERRAMIENTA ELÉCTRICA

ADVERTENCIA

Lea todas las instrucciones y advertencias de seguridad. Si no se siguen las advertencias e instrucciones, podría producirse una descarga eléctrica, un incendio y/o daños graves.

Guarde todas las advertencias e instrucciones para futura referencia.

El término "herramienta eléctrica" en las advertencias hace referencia a la herramienta eléctrica que funciona con la red de suministro (con cable) o a la herramienta eléctrica que funciona con pilas (sin cable).

1) Seguridad del área de trabajo

- Mantenga la zona de trabajo limpia y bien iluminada.**
Las zonas desordenadas u oscuras pueden provocar accidentes.
- No utilice las herramientas eléctricas en entornos explosivos como, por ejemplo, en presencia de líquidos inflamables, gases o polvo.**
Las herramientas eléctricas crean chispas que pueden inflamar el polvo o los humos.
- Mantenga a los niños y transeúntes alejados cuando utilice una herramienta eléctrica.**
Las distracciones pueden hacer que pierda el control.

2) Seguridad eléctrica

- Los enchufes de las herramientas eléctricas tienen que ser adecuados a la toma de corriente. No modifique el enchufe.**
No utilice enchufes adaptadores con herramientas eléctricas conectadas a tierra.
Si no se modifican los enchufes y se utilizan tomas de corriente adecuadas se reducirá el riesgo de descarga eléctrica.
- Evite el contacto corporal con superficies conectadas a tierra como tuberías, radiadores y frigoríficos.**
Hay mayor riesgo de descarga eléctrica si su cuerpo está en contacto con el suelo.
- No exponga las herramientas eléctricas a la lluvia o a la humedad.**
La entrada de agua en una herramienta eléctrica aumentará el riesgo de descarga eléctrica.
- No utilice el cable incorrectamente. No utilice el cable para transportar, tirar de la herramienta eléctrica o desenchufarla.**
Mantenga el cable alejado del calor, del aceite, de bordes afilados o piezas móviles.
Los cables dañados o enredados aumentan el riesgo de descarga eléctrica.
- Cuando utilice una herramienta eléctrica al aire libre, utilice un cable prolongador adecuado para utilizarse al aire libre.**
La utilización de un cable adecuado para usarse al aire libre reduce el riesgo de descarga eléctrica.
- Si no se puede evitar el uso de una herramienta eléctrica en un lugar húmedo, utilice un suministro protegido mediante un dispositivo de corriente residual (RCD).**
El uso de un RCD reduce el riesgo de descarga eléctrica.

3) Seguridad personal

- Esté atento, preste atención a lo que hace y utilice el sentido común cuando utilice una herramienta eléctrica. No utilice una herramienta eléctrica cuando esté cansado o esté bajo la influencia de drogas, alcohol o medicación.**

La distracción momentánea cuando utiliza herramientas eléctricas puede dar lugar a importantes daños personales.

- Utilice un equipo de protección. Utilice siempre una protección ocular.**
El equipo de protección como máscara para el polvo, zapatos de seguridad antideslizantes, casco o protección para oídos utilizado para condiciones adecuadas reducirá los daños personales.
- Evite un inicio involuntario. Asegúrese de que el interruptor está en "off" antes de conectar la herramienta a una fuente de alimentación y/o batería, cogérlo o transportarla.**
El transporte de herramientas eléctricas con el dedo en el interruptor o el encendido de herramientas eléctricas con el interruptor encendido puede provocar accidentes.
- Retire las llaves de ajuste antes de encender la herramienta eléctrica.**
Si se deja una llave en una pieza giratoria de la herramienta eléctrica podrían producirse daños personales.
- No se extralimite. Mantenga un equilibrio adecuado en todo momento.**
Esto permite un mayor control de la herramienta eléctrica en situaciones inesperadas.
- Vístase adecuadamente. No lleve prendas sueltas o joyas. Mantenga el pelo, la ropa y los guantes alejados de las piezas móviles.**
La ropa suelta, las joyas y el pelo largo pueden pillarse en las piezas móviles.
- Si se proporcionan dispositivos para la conexión de extracción de polvo e instalaciones de recogida, asegúrese de que están conectados y se utilizan adecuadamente.**
La utilización de un sistema de recogida de polvo puede reducir los riesgos relacionados con el polvo.
- Utilización y mantenimiento de las herramientas eléctricas**
 - No fuerce la herramienta eléctrica. Utilice la herramienta eléctrica correcta para su aplicación.**
La herramienta eléctrica correcta trabajará mejor y de forma más segura si se utiliza a la velocidad para la que fue diseñada.
 - No utilice la herramienta eléctrica si el interruptor no la enciende y apaga.**
Las herramientas eléctricas que no pueden controlarse con el interruptor son peligrosas y deben repararse.
 - Desconecte el enchufe de la fuente eléctrica y/o la batería de la herramienta eléctrica antes de hacer ajustes, cambiar accesorios o almacenar herramientas eléctricas.**
Estas medidas de seguridad preventivas reducen el riesgo de que la herramienta eléctrica se ponga en marcha accidentalmente.
 - Guarde las herramientas eléctricas que no se utilicen para que no las cojan los niños y no permita que utilicen las herramientas eléctricas personas no familiarizadas con las mismas o con estas instrucciones.**
Las herramientas eléctricas son peligrosas si son utilizadas por usuarios sin formación.
 - Mantenimiento de las herramientas eléctricas.**
Compruebe si las piezas móviles están mal alineadas o unidas, si hay alguna pieza rota u otra condición que pudiera afectar al funcionamiento de las herramientas eléctricas.
Si la herramienta eléctrica está dañada, llévela a reparar antes de utilizarla.

Se producen muchos accidentes por no realizar un mantenimiento correcto de las herramientas eléctricas.

- f) **Mantenga las herramientas de corte afiladas y limpias.**
Las herramientas de corte correctamente mantenidas con los bordes de corte afilados son más fáciles de controlar.

- g) **Utilice la herramienta eléctrica, los accesorios y las brocas de la herramienta, etc. de acuerdo con estas instrucciones, teniendo en cuenta las condiciones laborales y el trabajo que se va a realizar.**

La utilización de la herramienta eléctrica para operaciones diferentes a aquellas pretendidas podría dar lugar a una situación peligrosa.

5) Revisión

- a) **Lleve su herramienta a que la revise un experto cualificado que utilice sólo piezas de repuesto idénticas.**
Esto garantizará el mantenimiento de la seguridad de la herramienta eléctrica.

ESPECIFICACIONES

Voltaje (por áreas)*	(110V, 120V, 220V, 230V, 240V) \cup	
Acometida	590W*	
Velocidad de marcha en vacío	0-2900 min ⁻¹	
Capacidad del portabrocas	13 mm	
Capacidad	Acero	13 mm
	Hormigón	16 mm
	Madera	25 mm
Velocidad de percusión a plena carga	34500 min ⁻¹	
Peso (sin cable)	1,5 kg	

*Verificar inequívocamente los datos de la placa de características de la máquina, pues varían de acuerdo al país de destino.

ACCESORIOS ESTANDAR

- (1) Velvedor de mandril (Especificaciones para el portabrocas con llave solamente) 1
 (2) Asidero lateral 1
 (3) Calibrador de profundidad 1
 (4) Caja de plástico 1
 Accesorios estándar están sujetos a cambio sin previo aviso.

ACCESORIOS FACULTATIVOS (de venta por separado)

- (1) Broca para taladradora de impacto (para hormigón) 3,2 - 20 mm de diámetro
 (2) Gancho (A)
 Accesorios facultativos están sujetos a cambio sin previo aviso.

APLICACIONES

- Acciones combinadas de ROTACION e IMPACTO:
Perforación de orificios en superficies duras (concreto, mármol, granito, roca, etc.)
 Acción de ROTACION: Por acción de orificios en metal, madera y plástico.

PRECAUCIÓN

Mantenga a los niños y a las personas enfermas alejadas.
Cuando no se utilicen, las herramientas deben almacenarse fuera del alcance de los niños y de las personas enfermas.

ADVERTENCIAS DE SEGURIDAD DEL TALADRO DE PERCUSIÓN

- Utilice protección de oídos con taladros de impacto.**
La exposición al ruido puede causar daños auditivos.
- Utilice los mangos auxiliares proporcionados con la herramienta.**
La pérdida de control puede causar daños personales.
- Antes de taladrar en paredes, techos o suelos asegurarse de que no haya empotrados dentro cables eléctricos.
- Para taladrar hormigón u otros materiales rígidos similares en el modo de impacto (IMPACT), apriete el lado derecho (R) del botón pulsador. **(Fig. 10)**

ANTES DE LA PUESTA EN MARCHA

- Alimentación**
Asegurarse de que la acometida de red que ha de ser utilizada es conforme a las exigencias de corriente especificadas en la placa de características del producto.
- Conmutador de alimentación**
Asegurarse de que el conmutador de acometida está en posición OFF (desconectado). Si el enchufe está conectado a la caja del enchufe mientras el conmutador de acometida está en posición ON (conectado) la herramienta eléctrica empezará a trabajar inmediatamente, provocando un serio accidente.
- Cable de prolongación**
Cuando está alejada el área de trabajo de la red de acometida, usar un cable de prolongación de un grosor suficiente y potencia nominal. El cable de prolongación debe ser mantenido o más corto posible.
- Seleccionar la broca de taladro apropiada**
 - Caso de perforar hormigón o piedra
Usar las brocas de taladro especificadas en los accesorios facultativos.
 - Perforando metal o plástico
Usar una broca de taladro ordinaria para trabajos en metal.
 - Perforando madera
Usar una broca de taladro ordinaria para trabajos en madera. En cualquier caso, perforando orificios de 6,5 mm, o menos, usar una broca de taladro para trabajos en metal.

5. Montaje y desmontaje de las brocas

Para portabrocas con llave para el mismo (Fig. 1)

- (1) Abra las mordazas del portabrocas e inserte la broca en el portabrocas.
- (2) Coloque la llave del portabrocas en cada uno de los tres orificios del portabrocas, y gírela en el sentido de las agujas del reloj (visto desde el lado delantero). Apriete firmemente.
- (3) Para sacar la broca, coloque la llave del portabrocas en uno de los orificios del portabrocas y gírela en el sentido contrario a las agujas del reloj.

Para portabrocas sin llave (Fig. 2)

- (1) Abra las mordazas del portabrocas e inserte la broca en el portabrocas.
Para abrir las mordazas del portabrocas, sujete el anillo mientras gira el manguito en el sentido contrario a las agujas del reloj (visto desde el lado delantero).
- (2) Sujete el anillo firmemente y gire el manguito en el sentido de las agujas del reloj. Apriete firmemente.
- (3) Para sacar la broca, sujete el anillo firmemente y gire el manguito en el sentido contrario a las agujas del reloj.
- (4) Cuando el manguito no se afloje más, fije el asa lateral en el anillo de retención, sujete firmemente el asa, y después gire el manguito para aflojarlo manualmente (Fig. 3).

6. Verifique la dirección de rotación (Fig. 4).

La broca gira en el sentido de las agujas del reloj (visto desde el lado trasero) empujando el lado R del botón.

Si empuja el lado L del botón, la broca girará en sentido contrario a las agujas del reloj.

(Las marcas (L) y (R) están provistas en el cuerpo).

PRECAUCION

Usar siempre el taladro-destornillador de impacto con rotación a derecha, cuando se lo emplea como taladro de impacto.

7. Montar el asidero lateral (Fig. 5)

Instale el asidero lateral en la parte de montaje.

Gire la empuñadura del asidero lateral hacia la derecha para asegurarla.

Coloque el asidero lateral en la posición adecuada para la operación, y después apriete firmemente la empuñadura del mismo. Para aplicar el calibrador de profundidad en el asidero lateral, insertar el calibrador en el hueco en forma de U en el asidero lateral, ajustar la posición del calibrador de profundidad de acuerdo con la profundidad de orificio deseada y apretar firmemente la empuñadura del asidero lateral. (Fig. 6)

8. Alteración de IMPACTO a ROTACION (Fig. 7)

Mover la palanca de cambio entre las posiciones derecha e izquierda para conmutar fácilmente entre IMPACTO (rotación e impacto) y ROTACION (sólo rotación) respectivamente.

Para perforar orificios en materiales duros como hormigón, piedra y baldosas, mover la palanca de cambio hasta la posición de la derecha (como indica la marca **T**). La broca de taladro funcionará combinando las acciones de impacto y de rotación. Para perforar orificios en metal, madera y plástico, mover la palanca de cambio hasta la posición de la izquierda (como indica la marca **L**). La broca de taladro funcionará sólo en sentido rotatorio, como un taladro eléctrico convencional.

PRECAUCION

- No usar el taladro impulsor en la función IMPACTO si el material puede ser perforado en sólo rotación. Una acción de tal manera no sólo reduciría la eficiencia de taladro, sino que dañaría también la punta del taladrador.
- Si utiliza el taladro de percusión con la palanca de cambio en la posición central, podrían producirse daños. Al conmutar, asegúrese de que mueve la palanca de cambio a la posición correcta.

9. Fijación del gancho. (Accesorio opcional) (Fig. 8)

Para fijar el gancho (A), es necesario desarmar la parte del asa que cubre el sistema eléctrico de la herramienta. Para poder utilizar la herramienta en condiciones de seguridad y evitar las descargas eléctricas, la instalación del gancho (A) de este taladro debe ser realizado SÓLO por un CENTRO DE SERVICIO AUTORIZADO HITACHI.

PRECAUCIÓN:

Cuando utilice la herramienta eléctrica con un gancho fijado, preste atención a los puntos siguientes:

- Antes de colgar la unidad del cinturón, cercióre de que el taladro esté completamente parado.
Cuando tenga el taladro colgado del cinturón, el enchufe de alimentación deberá estar desconectado de la fuente de alimentación.
- Ne camine con la herramienta eléctrica colgada del cinturón.
- Cuando trabaje en un lugar elevado, será peligroso el dejar caer accidentalmente la herramienta. Si el gancho está deformado o en posición errónea, existe el peligro de que se deslice y que se caiga la herramienta.
Tenga cuidado para evitar peligros.
- Cuando taladre orificios, es posible que la herramienta sufra sacudidas violentas cuando, por ejemplo, se parta la pieza de trabajo. Tenga cuidado de no herirse con el gancho en caso de ocurrir esta situación.

COMO SE USA

1. Operación del interruptor

- La herramienta gira al presionar el interruptor de gatillo. Al soltar el gatillo, la herramienta se detiene.
- La velocidad de rotación del taladro puede controlarse variando la fuerza de apriete del interruptor de gatillo. Apretando ligeramente el interruptor de gatillo la velocidad es lenta, pero aumenta mientras más se lo aprieta.
- Es posible seleccionar previamente la velocidad de rotación deseada con el dial de control de velocidad. Gire el dial de control de velocidad en el sentido a las agujas del reloj para aumentar la velocidad, y en sentido contrario para disminuirla. (Fig. 9).
- Tire del gatillo y empuje el tope para mantener activada la alimentación, lo cual es conveniente para un funcionamiento continuo. Cuando se lo desconecta, el tope puede quitarse tirando del gatillo otra vez.

2. Uso como taladro común o taladro de impacto

- (1) Fuerza de presionar del taladro
No se pueden perforar los orificios más rápidamente por el hecho de presionar el taladro con más fuerza de la necesaria. Ello no sólo daña la punta de la brocas y disminuye la eficacia de operación, sino que acorta la duración útil de la herramienta.

- (2) En caso de los orificios de penetración Pueden romperse las brocas cuando se penetra el material perforado. Es importante disminuir la fuerza de penetración justo antes de hacer la penetración.

PRECAUCION

Al hacer operación continua, no hay que aplicar carga por unos cinco segundos, luego de completar la operación de taladrar.

- (3) Cuando se usa una broca gruesa El brazo puede someterse a una fuerte reacción cuando se emplean brocas gruesas. Tener cuidado entonces en no resultar afectado por tal fuerza de reacción. Para ello, establecer un apoyapie y sujetar la unidad fuertemente con ambas manos de modo perpendicular con respecto al material a perforar.

OBSERVACION

Debido al programa continuo de investigación y desarrollo de HITACHI estas especificaciones están sujetas a cambio sin preaviso.

MANTENIMIENTO E INSPECCION

1. Inspección de las brocas de barrena

Debido a que el uso de brocas de barrena desgastadas producen fallos de funcionamiento del motor y una disminución de la eficiencia, cámbielas inmediatamente por otras nuevas o reafilelas cuando note abrasión en las mismas.

2. Inspeccionar la broca de taladro y el macho de roscar

Como el uso continuado de una broca o macho de roscar desgastados disminuye la eficiencia operativa y causa un posible recalentamiento del motor, reemplazar o afilar la broca o el macho sin demora si se nota un excesivo desgaste.

3. Mantenimiento d motor

La unidad de devanado del motor es el verdadero "corazón" del herramientas eléctricas. Prestar el mayor cuidado a asegurarse de que el devando no se dañe y/o se humedezca con aceite o agua.

4. Inspección de las escobillas

Por motivos de seguridad contra descargas eléctricas, la inspección y el reemplazo de las escobillas deberán realizarse SOLAMENTE en un CENTRO DE SERVICIO AUTORIZADO POR HITACHI.

5. Lista de repuestos

- A: N°. ítem
- B: N°. código
- C: N°. usado
- D: Observaciones

PRECAUCIÓN

La reparación, modificación e inspección de las herramientas eléctricas Hitachi deben ser realizadas por un Centro de Servicio Autorizado de Hitachi.

Esta lista de repuestos será de utilidad si es presentada junto con la herramienta al Centro de Servicio Autorizado de Hitachi, para solicitar la reparación o cualquier otro tipo de mantenimiento.

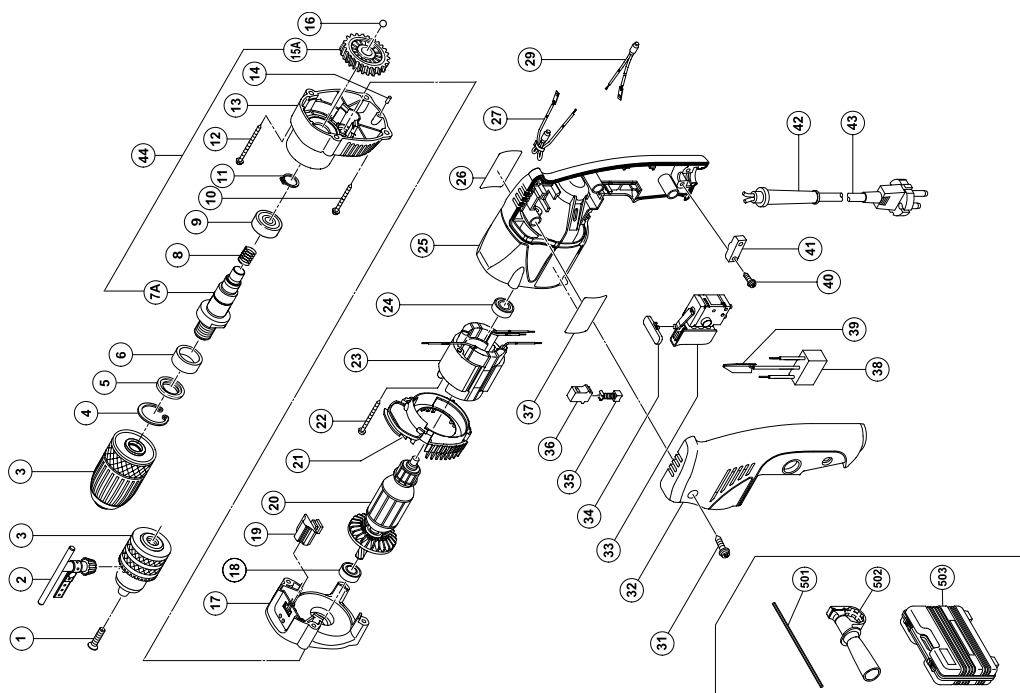
En el manejo y el mantenimiento de las herramientas eléctricas, se deberán observar las normas y reglamentos vigentes en cada país.

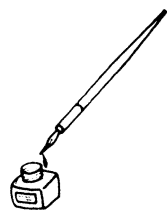
MODIFICACIONES

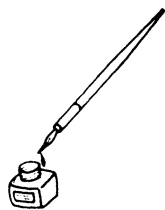
Hitachi Power Tools introduce constantemente mejoras y modificaciones para incorporar los últimos avances tecnológicos.

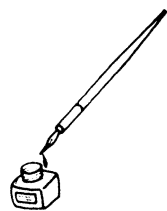
Por consiguiente, algunas partes (por ejemplo, números de códigos y/o diseño) pueden ser modificadas sin previo aviso.

A	B	C	D
1	995-344	1	M6 × 25
2	987-576	1	13VLRH-N
3-1	322-357	1	13VLRB-D
3-2	321-814	1	
4	948-001	1	
5	971-854	1	
6	322-515	1	
7A	322-513	1	
8	322-514	1	
9	600-2VV	1	6002VVCMP2SL
10	306-664	2	D4 × 40
11	939-544	1	
12	322-516	2	D4 × 55
13	322-512	1	
14	322-511	1	
15A	323-527	1	
16	959-150	1	D6.35
17	322-509	1	
18	608-DDM	1	608DDC2PS2L
19	322-510	1	
20-1	360-626C	1	110V
20-2	360-626E	1	220V-240V
21	322-508	1	
22	950-515	2	D4 × 50
23-1	350-573C	1	110V
23-2	340-573E	1	220V-230V
23-3	340-573F	1	240V
24	608-VVM	1	608VVC2PS2L
25	321-622	1	
26		1	
27-1	322-517	1	220V-240V
27-2	322-518	1	"GBR(110V)"
29-1	321-634	1	110V-240V
29-2	322-519	1	"GBR(110V)"
31	301-653	3	D4 × 20
32	321-629	1	
33	321-632	1	
34	321-628	1	
35	999-041	2	
36	955-203	2	
37		1	
38	994-273	1	
39	992-635	1	
40	984-750	2	D4 × 16
41	937-631	1	
42	953-327	1	D8.8
43		1	"7A, 15A"
501	323-565	1	
502	303-709	1	
503	303-659	1	
	321-635	1	









 **Hitachi Koki Co., Ltd.**

811
Code No. C99126241 F
Printed in China