

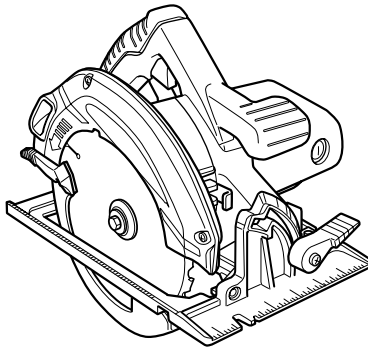
# HITACHI

---

## Circular Saw Sierra circular

### C 7SB2

---

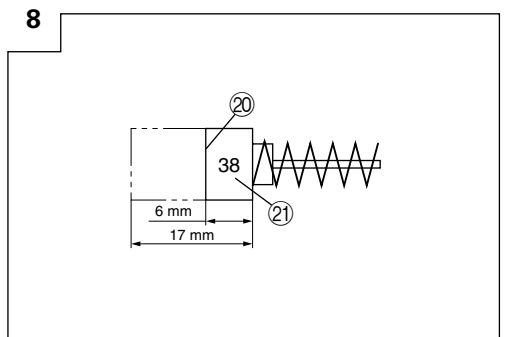
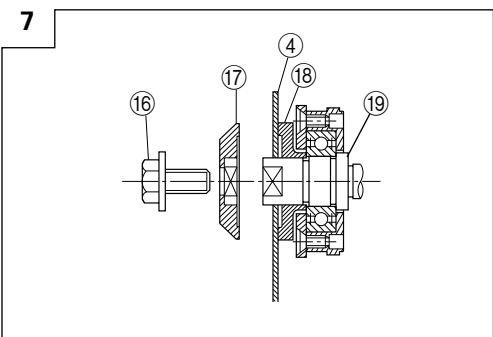
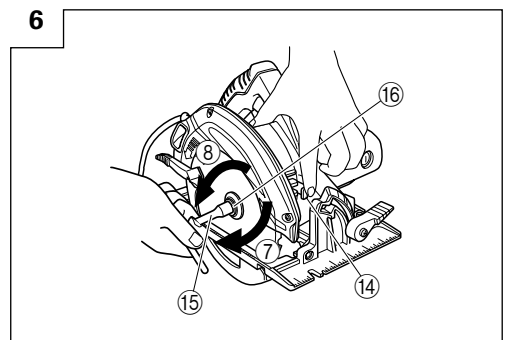
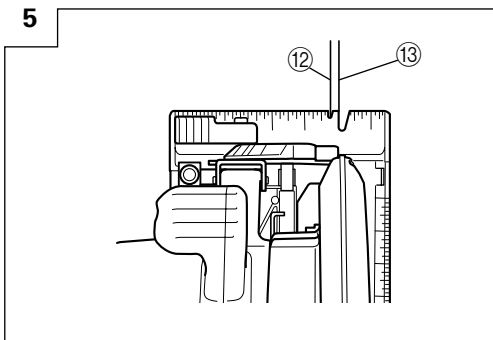
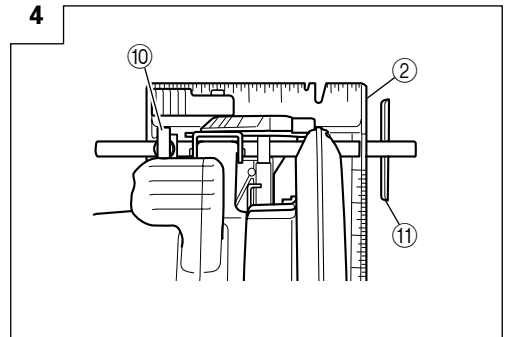
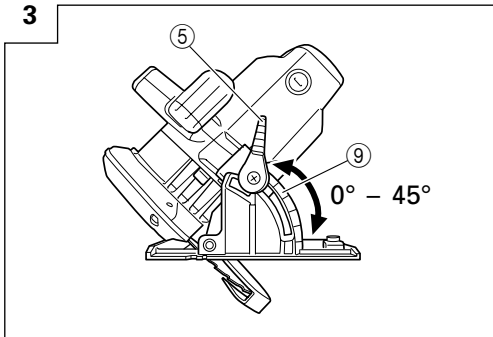
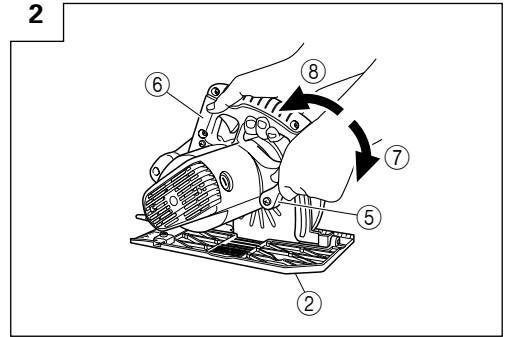
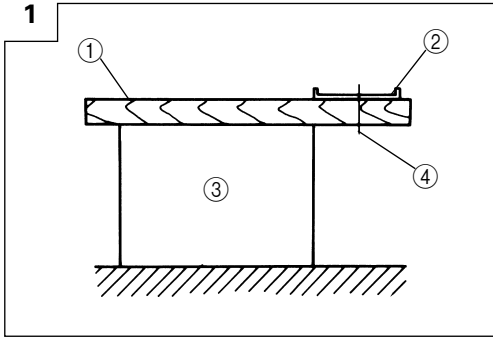


Read through carefully and understand these instructions before use.  
Leer cuidadosamente y comprender estas instrucciones antes del uso.

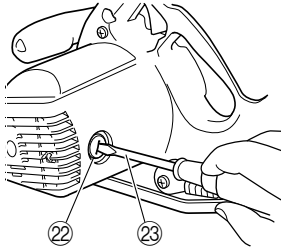


Handling instructions  
Instrucciones de manejo

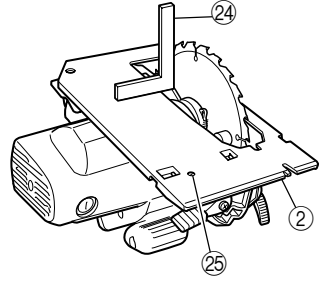
**Hitachi Koki**



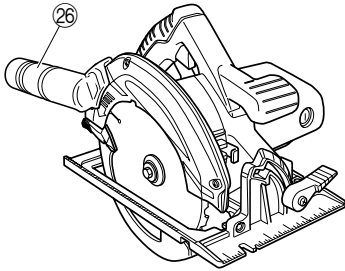
9



10



11



	English	Español
①	Lumber	Madera útil
②	Base	Base
③	Workbench	Banco de trabajo
④	Saw blade	Cuchilla de sierra
⑤	Lever (A)	Palanca (A)
⑥	Handle	Mango
⑦	Tighten	Apretar
⑧	Loosen	Aflojar
⑨	Scale	Escala
⑩	Wing-bolt	Perno de mariposa
⑪	Guide	Guía
⑫	When inclined 45°	Cuando inclinado 45°
⑬	When not inclined	Cuando no inclinado
⑭	Lock lever	Palanca de cierre
⑮	Box wrench	Llave anular
⑯	Hexagonal-flange bolt	Perno de pestaña hexagonal
⑰	Washer (B)	Arandela (B)
⑱	Washer (A)	Arandela (A)
⑲	Spindle	Husilio
⑳	Wear limit	Límite de uso
㉑	No. of carbon brush	No. de carbón de contacto
㉒	Brush cap	Protección de cepillo
㉓	Slotted-head screwdriver	Desatornillador de cabeza ranurada
㉔	Square	Escuadra
㉕	Slotted set screw	Vástago
㉖	Dust collector	Colector de polvo

## GENERAL SAFETY RULES

### WARNING!

#### Read all instructions

Failure to follow all instructions listed below may result in electric shock, fire and/or serious injury.

The term "power tool" in all of the warnings listed below refers to your mains operated (corded) power tool or battery operated (cordless) power tool.

### SAVE THESE INSTRUCTIONS

#### 1) Work area

- a) **Keep work area clean and well lit.**  
*Cluttered and dark areas invite accidents.*
- b) **Do not operate power tools in explosive atmospheres, such as in the presence of flammable liquids, gases or dust.**  
*Power tools create sparks which may ignite the dust of fumes.*
- c) **Keep children and bystanders away while operating a power tool.**  
*Distractions can cause you to lose control.*

#### 2) Electrical safety

- a) **Power tool plugs must match the outlet. Never modify the plug in any way.**  
**Do not use any adapter plugs with earthed (grounded) power tools.**  
*Unmodified plugs and matching outlets will reduce risk of electric shock.*
- b) **Avoid body contact with earthed or grounded surfaces such as pipes, radiators, ranges and refrigerators.**  
*There is an increased risk of electric shock if your body is earthed or grounded.*
- c) **Do not expose power tools to rain or wet conditions.**  
*Water entering a power tool will increase the risk of electric shock.*
- d) **Do not abuse the cord. Never use the cord for carrying, pulling or unplugging the power tool. Keep cord away from heat, oil, sharp edges or moving parts.**  
*Damaged or entangled cords increase the risk of electric shock.*
- e) **When operating a power tool outdoors, use an extension cord suitable for outdoor use.**  
*Use of a cord suitable for outdoor use reduces the risk of electric shock*

#### 3) Personal safety

- a) **Stay alert, watch what you are doing and use common sense when operating a power tool. Do not use a power tool while you are tired or under the influence of drugs, alcohol or medication.**  
*A moment of inattention while operating power tools may result in serious personal injury.*
- b) **Use safety equipment. Always wear eye protection.**  
*Safety equipment such as dust mask, non-skid safety shoes, hard hat, or hearing protection used for appropriate conditions will reduce personal injuries.*
- c) **Avoid accidental starting. Ensure the switch is in the off position before plugging in.**  
*Carrying power tools with your finger on the switch or plugging in power tools that have the switch on invites accidents.*
- d) **Remove any adjusting key or wrench before turning the power tool on.**

*A wrench or a key left attached to a rotating part of the power tool may result in personal injury.*

- e) **Do not overreach. Keep proper footing and balance at all times.**  
*This enables better control of the power tool in unexpected situations.*
- f) **Dress properly. Do not wear loose clothing or jewellery. Keep your hair, clothing and gloves away from moving parts.**  
*Loose clothes, jewellery or long hair can be caught in moving parts.*
- g) **If devices are provided for the connection of dust extraction and collection facilities, ensure these are connected and properly used.**  
*Use of these devices can reduce dust related hazards.*

#### 4) Power tool use and care

- a) **Do not force the power tool. Use the correct power tool for your application.**  
*The correct power tool will do the job better and safer at the rate for which it was designed.*
- b) **Do not use the power tool if the switch does not turn it on and off.**  
*Any power tool that cannot be controlled with the switch is dangerous and must be repaired.*
- c) **Disconnect the plug from the power source before making any adjustments, changing accessories, or storing power tools.**  
*Such preventive safety measures reduce the risk of starting the power tool accidentally.*
- d) **Store idle power tools out of the reach of children and do not allow persons unfamiliar with the power tool or these instructions to operate the power tool.**  
*Power tools are dangerous in the hands of untrained users.*
- e) **Maintain power tools. Check for misalignment or binding of moving parts, breakage of parts and any other condition that may affect the power tools operation.**  
**If damaged, have the power tool repaired before use.**  
*Many accidents are caused by poorly maintained power tools.*
- f) **Keep cutting tools sharp and clean.**  
*Properly maintained cutting tools with sharp cutting edges are less likely to bind and are easier to control.*
- g) **Use the power tool, accessories and tool bits etc., in accordance with these instructions and in the manner intended for the particular type of power tool, taking into account the working conditions and the work to be performed.**  
*Use of the power tool for operations different from intended could result in a hazardous situation.*

#### 5) Service

- a) **Have your power tool serviced by a qualified repair person using only identical replacement parts.**  
*This will ensure that the safety of the power tool is maintained.*

### PRECAUTION

Keep children and infirm persons away.  
When not in use, tools should be stored out of reach of children and infirm persons.

## SAFETY INSTRUCTIONS FOR ALL SAWS

### DANGER!

- a) **Keep hands away from cutting area and the blade. Keep your second hand on auxiliary handle, or motor housing.**

*If both hands are holding the saw, they cannot be cut by the blade.*

- b) **Do not reach underneath the workpiece.**  
*The guard cannot protect you from the blade below the workpiece.*

- c) **Adjust the cutting depth to the thickness of the workpiece.**  
*Less than a full tooth of the blade teeth should be visible below the workpiece.*

- d) **Never hold piece being cut in your hands or across your leg. Secure the workpiece to a stable platform.**

*It is important to support the work properly to minimize body exposure, blade binding, or loss of control.*

- e) **Hold power tool by insulated gripping surfaces when performing an operation where the cutting tool may contact hidden wiring or its own cord.**

*Contact with a "live" wire will also make exposed metal parts of the power tool "live" and shock the operator.*

- f) **When ripping always use a rip fence or straight edge guide.**  
*This improves the accuracy of cut and reduces the chance of blade binding.*

- g) **Always use blades with correct size and shape (diamond versus round) of arbour holes.**

*Blades that do not match the mounting hardware of the saw will run eccentrically, causing loss of control.*

- h) **Never use damaged or incorrect blade washers or bolt.**

*The blade washers and bolt were specially designed for your saw, for optimum performance and safety of operation.*

- **Never use any abrasive wheels**

*Burst of abrasive wheel cause serious injury of operator or persons around the working area.*

## FURTHER SAFETY INSTRUCTIONS FOR ALL SAWS

Causes and operator prevention of kickback:

- kickback is a sudden reaction to a pinched, bound or misaligned saw blade, causing an uncontrolled saw to lift up and out of the workpiece toward the operator;
- when the blade is pinched or bound tightly by the kerf closing down, the blade stalls and the motor reaction drives the unit rapidly back toward the operator;
- if the blade becomes twisted or misaligned in the cut, the teeth at the back edge of the blade can dig into the top surface of the wood causing the blade to climb out of the kerf and jump back toward the operator.

Kickback is the result of saw misuse and/or incorrect operating procedures or conditions and can be avoided by taking proper precautions as given below.

- a) **Maintain a firm grip with both hands on the saw and position your arms to resist kickback forces.**

**Position your body either side of the blade, but not in line with the blade.**

*Kickback could cause the saw to jump backwards, but kickback forces can be controlled by the operator, if proper precautions are taken.*

- b) **When blade is binding, or when interrupting a cut for any reason, release the trigger and hold the saw motionless in the material until the blade comes to a complete stop.**

**Never attempt to remove the saw from the work or pull the saw backward while the blade is in motion or kickback may occur.**

*Investigate and take corrective actions to eliminate the cause of blade binding.*

- c) **When restarting a saw in the workpiece, centre the saw blade in the kerf and check that saw teeth are not engaged into the material.**

*If saw blade is binding, it may walk up or kickback from the workpiece as the saw is restarted.*

- d) **Support large panels to minimize the risk of blade pinching and kickback.**

*Large panels tend to sag under their own weight. Supports must be placed under the panel on both sides, near the line of cut and near the edge of the panel.*

- e) **Do not use dull or damaged blades.**

*Unsharpened or improperly set blades produce narrow kerf causing excessive friction, blade binding and kickback.*

- f) **Blade depth and bevel adjusting locking levers must be tight and secure before making cut.**

*If blade adjustment shifts while cutting, it may cause binding and kickback.*

- g) **Use extra caution when making a "plunge cut" into existing walls or other blind areas.**

*The protruding blade may cut objects that can cause kickback.*

## SAFETY INSTRUCTIONS FOR SAWS WITH INNER PENDULUM GUARD

- a) **Check lower guard for proper closing before each use. Do not operate the saw if lower guard does not move freely and close instantly. Never clamp or tie the lower guard into the open position.**

*If saw is accidentally dropped, lower guard may be bent.*

*Raise the lower guard with the retracting handle and make sure it moves freely and does not touch the blade or any other part, in all angles and depth of cut.*

- b) **Check the operation of the lower guard spring. If the guard and the spring are not operating properly, they must be serviced before use.**

*Lower guard may operate sluggishly due to damaged parts, gummy deposits, or build-up of debris.*

- c) **Lower guard should be retracted manually only for special cuts such as "plunge cuts" and "compound cuts". Raise lower guard by retracting handle and as soon as blade enters the material, the lower guard must be released.**

*For all other sawing, the lower guard should operate automatically.*

- d) **Always observe that the lower guard is covering the blade before placing saw down on bench or floor.**

*An unprotected, coasting blade will cause the saw to walk backwards, cutting whatever is in its path. Be aware of the time it takes for the blade to stop after switch is released.*

## PRECAUTIONS ON USING CIRCULAR SAW

- Do not use saw blades which are deformed or cracked.
- Do not use saw blades made of high speed steel.
- Do not use saw blades which do not comply with the characteristics specified in these instructions.
- Do not stop the saw blades by lateral pressure on the disc.
- Always keep the saw blades sharp.
- Ensure that the lower guard moves smoothly and freely.
- Never use the circular saw with its lower guard fixed in the open position.
- Ensure that the retraction mechanism of the guard system operates correctly.
- Never operate the circular saw with the saw blade turned upward or to the side.
- Ensure that the material is free of foreign matters such as nails.
- For model C7SB2, the saw blades range should be from 185 mm to 180 mm.
- Disconnect the plug from the receptacle before carrying out any adjustment, servicing or maintenance.

## SPECIFICATIONS

Voltage (by areas)*		(110 V, 230 V) ~
Cutting Depth	90°	60 mm
	45°	47 mm
Power Input*		1670 W / 1710 W
No-Load Speed		5800 min <sup>-1</sup>
Weight (without cord)		4.6 kg

\* Be sure to check the nameplate on product as it is subject to change by areas.

## STANDARD ACCESSORIES

- Saw Blade (Dia. 185 mm) (mounted on tool) ..... 1
- Box Wrench ..... 1
- Guide ..... 1
- Wing-bolt ..... 1

Standard accessories are subject to change without notice.

## OPTIONAL ACCESSORIES (sold separately)

- Dust Collector Set  
Connect the suction hose to collect saw dust with the vacuum cleaner (see **Fig. 10**).
- Washer (A)  
..... for 16 mm (Hole dia. of saw blade)  
..... for 20 mm (Hole dia. of saw blade)  
..... for 30 mm (Hole dia. of saw blade)
- Guide Rail Adapter

Optional accessories are subject to change without notice.

## APPLICATION

Cutting various types of wood.

## PRIOR TO OPERATION

- Power source**  
Ensure that the power source to be utilized conforms to the power requirements specified on the product nameplate.
- Power switch**  
Ensure that the power switch is in the OFF position. If the plug is connected to a receptacle while the power switch is in the ON position, the power tool will start operating immediately, which could cause a serious accident.

### 3. Extension cord

When the work area is removed from the power source, use an extension cord of sufficient thickness and rated capacity. The extension cord should be kept as short as practicable.

### 4. Prepare a wooden workbench (Fig. 1)

Since the saw blade will extend beyond the lower surface of the lumber, place the lumber on a workbench when cutting. If a square block is utilized as a workbench, select level ground to ensure it is properly stabilized. An unstable workbench will result in hazardous operation.

### CAUTION

To avoid possible accident, always ensure that the portion of lumber remaining after cutting is securely anchored or held in position.

## ADJUSTING THE POWER TOOL PRIOR TO USE

### 1. Adjusting the cutting depth

To adjust cutting depth, loosen the lever (A) and, while holding the base with one hand, move the main body up and down to obtain the prescribed cutting depth. After adjusting to the prescribed cutting depth, tighten the lever (A) securely (**Fig. 2**).

### CAUTION

Should this lever (A) remain loosened, it will create a very hazardous situation. Always thoroughly clamp it.

### 2. Adjusting the angle of inclination

By loosening the lever (A) at the scale, the saw blade can be inclined up to maximum angle of 45° against the base.

The angle of inclination can also be regulated by loosening the wing bolt at the scale (**Fig. 3**).

### CAUTION

It is very hazardous to allow this wing bolt to remain loosened. Always thoroughly clamp it.

### 3. Regulating the guide

The cutting position can be regulated by moving the guide to the left or right after loosening its wing bolt. The guide can be mounted on either the left or the right side (Fig. 4).

---

## CUTTING PROCEDURES

---

1. Place the saw body (base) on the lumber, and align the intended line of cut with the saw blade, using the notch at the front of the base. This relationship of base to lumber should remain unchanged regardless of the inclination of the base (Fig. 5).
2. Turn ON the switch before the saw blade contacts the lumber. The switch is turned ON when the trigger is squeezed, and turned OFF when the trigger is released.
3. Moving the saw straight at a constant speed will produce optimum cutting.

### CAUTIONS

Prior to cutting operation, make sure the material you are going to cut. If the material to be cut is expected to generate harmful / toxic dusts, make sure the dust bag or appropriate dust extraction system is connected with dust outlet tightly.

Wear the dust mask additionally, if available.

- Before starting to saw, confirm that the saw blade has attained full-speed revolution.
- Should the saw blade stop or make an abnormal noise while operating, promptly turn OFF the switch.
- Always take care in preventing the power cord from coming near to the revolving saw blade.
- Using the circular saw with the saw blade facing upwards or sideways is very hazardous. Such uncommon applications should be avoided.
- When cutting materials, always wear protective glasses.
- When finished with a job, pull out the plug from the receptacle.

---

## MOUNTING AND DISMOUNTING THE SAW BLADE

---

### CAUTION

To avoid serious accident, ensure the switch is in the OFF position, and the power source is disconnected.

#### 1. Dismounting the saw blade

- (1) Set the cutting volume at maximum, and place the Circular Saw as shown in Fig. 6.
- (2) Depress the lock lever, lock the spindle, and remove the hexagonal-flange bolt with the box wrench.
- (3) While holding the lower guard lever to keep the lower guard fully retracted into the saw cover, remove the saw blade.

#### 2. Mounting the Saw Blade

- (1) Thoroughly remove any sawdust which has accumulated on the spindle, bolt and washers.
- (2) As shown in Fig. 7, the side of Washer (A) with a projected center the same diameter as the inner diameter of the saw blade and the concave side of Washer (B) must be fitted to the saw blade sides.
  - \* Washer (A) is supplied for 3 types of saw blades with the hole diameters of 16 mm, 20 mm and 30 mm. (When buying the Circular Saw, one type of washer (A) is supplied.)In case the hole diameter of your saw blade does not correspond to that of washer (A), please contact the shop where you purchased the Circular Saw.

- (3) To assure proper rotation direction of the saw blade, the arrow direction on the saw blade must coincide with the arrow direction on the saw cover.
- (4) Using the fingers, tighten the hexagonal-flange bolt retaining the saw blade as much as possible. Then depress the lock lever, lock the spindle, and thoroughly tighten the bolt.

### CAUTION

After having attached the saw blade, reconfirm that the lock lever is firmly secured in the prescribed position.

---

## MAINTENANCE AND INSPECTION

---

### 1. Inspecting the saw blade

Since use of a dull saw blade will degrade efficiency and cause possible motor malfunction, sharpen or replace the saw blade as soon as abrasion is noted.

### 2. Inspecting the mounting screws

Regularly inspect all mounting screws and ensure that they are properly tightened. Should any of the screws be loose, retighten them immediately. Failure to do so could result in serious hazard.

### 3. Inspecting the carbon brushes (Fig. 8)

The motor employs carbon brushes which are consumable parts. Since an excessively worn carbon brush can result in motor trouble, replace the carbon brushes with new ones having the same carbon brush No. shown in the figure when it becomes worn to or near the "wear limit". In addition, always keep carbon brushes clean and ensure that they slide freely within the brush holders.

### 4. Replacing carbon brushes (Fig. 9)

Disassemble the brush caps with a slotted-head screwdriver. The carbon brushes can then be easily removed.

### 5. Maintenance of the motor

The motor unit winding is the very "heart" of the power tool.

Exercise due care to ensure the winding does not become damaged and/or wet with oil or water.

### 6. Adjusting the base and saw blade to maintain perpendicularity

The angle between the base and the saw blade has been adjusted to 90°, however should this perpendicularity be lost for some reason, adjust in the following manner:

- (1) Turn the base face up (Fig. 10) and loosen the lever (A).
- (2) Apply a square to the base and the saw blade and turning the slotted set screw with a slotted-head screwdriver, shift the position of the base to produce the desired right angle.

### 7. Service parts list

- A: Item No.
- B: Code No.
- C: No. Used
- D: Remarks

### CAUTION

Repair, modification and inspection of Hitachi Power Tools must be carried out by a Hitachi Authorized Service Center.

This Parts List will be helpful if presented with the tool to the Hitachi Authorized Service Center when requesting repair or other maintenance.

In the operation and maintenance of power tools, the safety regulations and standards prescribed in each country must be observed.



**MODIFICATIONS**

Hitachi Power Tools are constantly being improved and modified to incorporate the latest technological advancements.

Accordingly, some parts (i.e. code numbers and/or design) may be changed without prior notice.

---

**NOTE**

Due to HITACHI's continuing program of research and development, the specifications herein are subject to change without prior notice.

---

## NORMAS GENERALES DE SEGURIDAD

### ¡ADVERTENCIA!

#### Lea todas las instrucciones

*Si no se siguen las instrucciones de abajo podría producirse una descarga eléctrica, un incendio y/o daños graves. El término "herramienta eléctrica" en todas las advertencias indicadas a continuación hace referencia a la herramienta eléctrica que funciona con la red de suministro (con cable) o a la herramienta eléctrica que funciona con pilas (sin cable).*

### CONSERVE ESTAS INSTRUCCIONES

#### 1) Área de trabajo

- a) **Mantenga la zona de trabajo limpia y bien iluminada.**

*Las zonas desordenadas y oscuras pueden provocar accidentes.*

- b) **No utilice las herramientas eléctricas en entornos explosivos como, por ejemplo, en presencia de líquidos inflamables, gases o polvo.**

*Las herramientas eléctricas crean chispas que pueden hacer que el polvo desprenda humo.*

- c) **Mantenga a los niños y transeúntes alejados cuando utilice una herramienta eléctrica.**

*Las distracciones pueden hacer que pierda el control.*

#### 2) Seguridad eléctrica

- a) **Los enchufes de las herramientas eléctricas tienen que ser adecuados a la toma de corriente. No modifique el enchufe.**

*No utilice enchufes adaptadores con herramientas eléctricas conectadas a tierra. Si no se modifican los enchufes y se utilizan tomas de corriente adecuadas se reducirá el riesgo de descarga eléctrica.*

- b) **Evite el contacto corporal con superficies conectadas a tierra como tuberías, radiadores y frigoríficos.**

*Hay mayor riesgo de descarga eléctrica si su cuerpo está en contacto con el suelo.*

- c) **No exponga las herramientas eléctricas a la lluvia o a la humedad.**

*La entrada de agua en una herramienta eléctrica aumentará el riesgo de descarga eléctrica.*

- d) **No utilice el cable incorrectamente. No utilice el cable para transportar, tirar de la herramienta eléctrica o desenchufarla.**

*Mantenga el cable alejado del calor, del aceite, de bordes afilados o piezas móviles. Los cables dañados o enredados aumentan el riesgo de descarga eléctrica.*

- e) **Cuando utilice una herramienta eléctrica al aire libre, utilice un cable prolongador adecuado para utilizarse al aire libre.**

*La utilización de un cable adecuado para usarse al aire libre reduce el riesgo de descarga eléctrica.*

#### 3) Seguridad personal

- a) **Esté atento, preste atención a lo que hace y utilice el sentido común cuando utilice una herramienta eléctrica.**

*No utilice una herramienta eléctrica cuando esté cansado o esté bajo la influencia de drogas, alcohol o medicación.*

*La distracción momentánea cuando utiliza herramientas eléctricas puede dar lugar a importantes daños personales.*

- b) **Utilice equipo de seguridad. Utilice siempre una protección ocular.**

*El equipo de seguridad como máscara para el polvo, zapatos de seguridad antideslizantes, casco o protección para oídos utilizado para condiciones adecuadas reducirá los daños personales.*

- c) **Evite un inicio accidental. Asegúrese de que el interruptor está en "off" antes de enchufarlo.**

*El transporte de herramientas eléctricas con el dedo en el interruptor o el enchufe de herramientas eléctricas con el interruptor encendido puede provocar accidentes.*

- d) **Retire las llaves de ajuste antes de encender la herramienta eléctrica.**

*Si se deja una llave en una pieza giratoria de la herramienta eléctrica podrían producirse daños personales.*

- e) **No se extralimite. Mantenga un equilibrio adecuado en todo momento.**

*Esto permite un mayor control de la herramienta eléctrica en situaciones inesperadas.*

- f) **Vístase adecuadamente. No lleve prendas sueltas o joyas. Mantenga el pelo, la ropa y los guantes alejados de las piezas móviles.**

*La ropa suelta, las joyas y el pelo largo pueden pillarse en las piezas móviles.*

- g) **Si se proporcionan dispositivos para la conexión de extracción de polvo e instalaciones de recogida, asegúrese de que están conectados y se utilizan adecuadamente.**

*La utilización de estos dispositivos puede reducir los riesgos relacionados con el polvo.*

#### 4) Utilización y mantenimiento de las herramientas eléctricas

- a) **No fuerce la herramienta eléctrica. Utilice la herramienta eléctrica correcta para su aplicación.**

*La herramienta eléctrica correcta trabajará mejor y de forma más segura si se utiliza a la velocidad para la que fue diseñada.*

- b) **No utilice la herramienta eléctrica si el interruptor no la enciende y apaga.**

*Las herramientas eléctricas que no pueden controlarse con el interruptor son peligrosas y deben repararse.*

- c) **Desconecte el enchufe de la fuente eléctrica antes de hacer ajustes, cambiar accesorios o almacenar herramientas eléctricas.**

*Estas medidas de seguridad preventivas reducen el riesgo de que la herramienta eléctrica se ponga en marcha accidentalmente.*

- d) **Guarde las herramientas eléctricas que no se utilicen para que no las cojan los niños y no permita que utilicen las herramientas eléctricas personas no familiarizadas con las mismas o con estas instrucciones.**

*Las herramientas eléctricas son peligrosas si son utilizadas por usuarios sin formación.*

- e) **Mantenimiento de las herramientas eléctricas. Compruebe si las piezas móviles están mal alineadas o unidas, si hay alguna pieza rota u otra condición que pudiera afectar al funcionamiento de las herramientas eléctricas.**

Si la herramienta eléctrica está dañada, llévela a reparar antes de utilizarla.

*Se producen muchos accidentes por no realizar un mantenimiento correcto de las herramientas eléctricas.*

- f) **Mantenga las herramientas de corte afiladas y limpias.**

*Las herramientas de corte correctamente mantenidas con los bordes de corte afilados son más fáciles de controlar.*

- g) **Utilice la herramienta eléctrica, los accesorios y las brocas de la herramienta, etc., de acuerdo con estas instrucciones y de la manera adecuada para el tipo de herramienta eléctrica, teniendo en cuenta las condiciones laborales y el trabajo que se va a realizar.**

*La utilización de la herramienta eléctrica para operaciones diferentes a pretendidas podría dar lugar a una situación peligrosa.*

#### 5) Revisión

- a) **Lleve su herramienta a que la revise un experto cualificado que utilice sólo piezas de repuesto idénticas.**

*Esto garantizará el mantenimiento de la seguridad de la herramienta eléctrica.*

#### PRECAUCIÓN

**Mantenga a los niños y a las personas enfermas alejadas.**

**Cuando no se utilicen, las herramientas deben almacenarse fuera del alcance de los niños y de las personas enfermas.**

#### INSTRUCCIONES DE SEGURIDAD PARA TODAS LAS SIERRAS

##### ¡PELIGRO!

- a) **Mantenga las manos alejadas del área de corte y de la hoja. Mantenga la otra mano en el mango auxiliar o en la cubierta del motor.**

*Si sujeta la sierra con las dos manos, no se cortará con la hoja.*

- b) **No se coloque debajo de la pieza de trabajo. El protector no puede protegerle de la hoja debajo de la pieza de trabajo.**

- c) **Ajuste la profundidad de corte al grosor de la pieza de trabajo.**

*Debajo de la pieza de trabajo sólo debe quedar visible menos de un diente completo de la hoja.*

- d) **No sujete nunca la pieza que está cortando con las manos o sobre una pierna. Fije la pieza de trabajo a una plataforma estable.**

*Es importante que apoye la pieza de trabajo de forma adecuada para evitar que su cuerpo quede expuesto a la sierra, que la hoja se quede atascada o que se pierda el control.*

- e) **Sujete la herramienta eléctrica por las superficies de sujeción aisladas cuando realice una operación en la que la herramienta de corte puede entrar en contacto con cables ocultos o con su propio cable.**

*El contacto con un cable "cargado" cargará las piezas metálicas de la herramienta eléctrica y provocará una descarga al operador.*

- f) **Cuando realice un corte al hilo, utilice siempre un tope-guía o una guía de borde recto.**

*Esto mejorará la precisión del corte y reducirá las posibilidades de que se atasque la hoja*

- g) **Utilice siempre hojas con orificios de árbol con el tamaño y la forma correctos (rombo frente a círculo).**

*Las hojas que no coincidan con los componentes de montaje de la sierra no funcionarán correctamente y pueden provocar una pérdida de control.*

- h) **No utilice nunca arandelas o pernos de hoja dañados o inadecuados.**

*Las arandelas y los pernos de la hoja han sido diseñados especialmente para dicha hoja, con el fin de garantizar un rendimiento y seguridad óptimos.*

- **No utilice ruedas abrasivas**

*El reventón de una rueda abrasiva causa importantes daños al operario o a las personas que están alrededor del área de trabajo.*

#### INSTRUCCIONES DE SEGURIDAD ADICIONALES PARA TODAS LAS SIERRAS

Causas del retroceso y modos en que el operador puede evitarlo:

- el retroceso es una reacción repentina de la sierra cuando la hoja se engancha, se atasca o está mal alineada, lo cual provoca la pérdida de control de la sierra, que se elevará y se saldrá de la pieza de trabajo hacia el operador;
- cuando la hoja se engancha o se atasca por el cierre de la vía, la hoja se detiene y la reacción del motor hace que la unidad retroceda rápidamente hacia el operador;
- si la hoja se tuerce o pierde la alineación durante el corte, los dientes del borde posterior de la hoja pueden clavarse en la superficie superior de la madera y hacer que la hoja se salga de la vía y vuelva hacia el operador.

El retroceso es el resultado de un mal uso de la sierra y/o unos procedimientos o condiciones de funcionamiento incorrectos y se puede evitar tomando las precauciones adecuadas que se indican a continuación.

- a) **Sujete la sierra firmemente con las dos manos y coloque los brazos de tal forma que resistan las fuerzas de retroceso. Coloque el cuerpo a uno de los lados de la hoja, no en línea con ésta. El retroceso podría hacer que la sierra salte hacia atrás, pero las fuerzas de retroceso pueden ser controladas por el operador, si se toman las precauciones adecuadas.**

- b) **Cuando se atasca la hoja o se interrumpe el corte por cualquier razón, libere el interruptor de activación y mantenga la sierra sin moverla en el material hasta que ésta se detenga por completo. No intente extraer la sierra de la pieza de trabajo ni tire de ella hacia atrás mientras la hoja está en movimiento, ya que puede producirse un retroceso.**

*Investigue y tome las medidas adecuadas para eliminar la causa del atascamiento de la hoja.*

- c) Cuando vuelva a poner en marcha la sierra en la pieza de trabajo, centre la hoja de la sierra en la vía y compruebe que los dientes no están enganchados en el material.

*Si la hoja de la sierra está atascada, ésta puede saltar o retroceder de la pieza de trabajo al poner en marcha la sierra.*

- d) Utilice soportes adecuados para apoyar los paneles grandes, con el fin de minimizar el riesgo de que la hoja se enganche o se produzca un retroceso. Los paneles grandes tienden a combarse por su propio peso. Se deben colocar soportes bajo el panel en ambos lados, cerca de la línea de corte y cerca del borde del panel.

- e) No utilice hojas melladas o dañadas.

*Las hojas no afiladas o mal ajustadas hacen que una vía estrecha provoque una fricción excesiva, que se atasque la hoja y que se produzca un retroceso.*

- f) La profundidad de la hoja y las palancas de bloqueo del ajuste del bisel deben estar bien fijadas antes de realizar el corte.

*Si el ajuste de la hoja cambia durante el corte, se puede producir un atasco de la hoja o un retroceso.*

- g) Tenga especial cuidado cuando realice un "corte profundo" en paredes existentes o en otras áreas ciegas.

*La hoja que sobresale puede cortar objetos y provocar un retroceso.*

## INSTRUCCIONES DE SEGURIDAD PARA SIERRAS CON UN PROTECTOR DE PÉNDULO INTERNO

- a) Compruebe que el protector inferior se cierra correctamente antes de cada uso. No utilice la sierra si el protector inferior no se mueve libremente o se cierra de forma instantánea. No sujete ni ate el protector inferior en la posición de apertura.

*Si la sierra se cae de forma accidental, el protector inferior se puede doblar.*

*Levante el protector inferior con el mango retráctil y asegúrese de que se mueve libremente y no toca la hoja ni ninguna otra pieza, en todos los ángulos y profundidades de corte.*

- b) Compruebe el funcionamiento del resorte del protector inferior. Si el protector y el resorte no funcionan correctamente, deben ser reparados antes de usar la sierra.

*El protector inferior puede funcionar lentamente porque hay alguna pieza dañada, hay restos de pegamento o existe una acumulación de residuos.*

- c) El protector inferior sólo se debe retraer manualmente para realizar cortes especiales, como, por ejemplo, "punteados" y "cortes compuestos". Levante el protector inferior trayendo el mango y libere el protector inferior en cuanto la hoja entre en contacto con el material.

*Para el resto de cortes, el protector debería funcionar automáticamente.*

- d) Compruebe siempre que el protector inferior cubre la hoja antes de colocar la sierra sobre un banco o sobre el suelo.

*El deslizamiento de la hoja sin protección puede hacer que la sierra se desplace hacia atrás y corte lo que encuentre a su paso.*

*Tenga en cuenta el tiempo que tarda la hoja en detenerse después de accionar el interruptor.*

## PRECAUCIONES AL UTILIZAR LA SIERRA CIRCULAR

1. No utilice cuchillas deformadas o rajadas.
2. No emplee cuchillas de acero de alta velocidad.
3. No emplee cuchillas que no estén de acuerdo con las características especificadas en estas instrucciones.
4. No pare las cuchillas de sierra mediante presión lateral sobre el disco.
5. Mantener siempre las cuchillas afiladas.
6. Asegúrese de que el protector inferior se mueve suavemente y sin problemas.
7. No utilice la sierra circular con el protector inferior fijo en la posición de abierto.
8. Cerciórese de que todos los mecanismos de retracción del sistema de protección funcionen correctamente.
9. Nunca accionar la sierra circular con la cuchilla vuelta hacia arriba o hacia un lado.
10. Asegurarse de que la pieza de trabajo esté libre de cuerpos extraños tales como clavos.
11. Para el modelo C7SB2, las cuchillas de sierra deberán ser de 185 mm a 180 mm.
12. Antes de realizar cualquier ajuste, operación de mantenimiento, o reparación, desconecte el enchufe del tomacorriente.

## ESPECIFICACIONES

Voltaje (por áreas)*		(110 V, 230 V) ~
Profundidad de corte	90°	60 mm
	45°	47 mm
Acometida*		1670 W / 1710 W
Velocidad de marcha en vacío		5800 min <sup>-1</sup>
Peso (sin cable)		4,6 kg

\*Verificar indefectiblemente los datos de la placa de características de la máquina, pues varían de acuerdo al país de destino.

## ACCESORIOS NORMALES

- (1) Cuchilla de sierra (Diá. 185 mm)  
(montada en la herramienta)..... 1
- (2) Llave anular ..... 1
- (3) Guía ..... 1
- (4) Perno de mariposa ..... 1

Los accesorios normales están sujetos a cambio sin previo aviso.

## ACCESORIOS FACULTATIVOS (de venta por separado)

- (1) Juego colector de polvo  
Conecte la manguera de succión para colectar el serrín a la aspiradora (consulte la Fig. 10).
- (2) Arandela (A)  
..... para 16 mm  
(Diá. del orificio interior de la cuchilla de sierra)  
..... para 20 mm  
(Diá. del orificio interior de la cuchilla de sierra)  
..... para 30 mm  
(Diá. del orificio interior de la cuchilla de sierra)
- (3) Adaptador para carril de guía

Los accesorios de facultativos están sujetos a cambio sin previo aviso.

## APLICACIONES

Cortar diversos tipos de madera.

## ANTES DE LA PUESTA EN MARCHA

### 1. Alimentación

Asegurarse de que la alimentación de red que ha de ser utilizada responda a las exigencias de corriente especificadas en la placa de características del producto.

### 2. Conmutador de alimentación

Asegurarse de que el conmutador de alimentación esté en la posición OFF (desconectado). Si la clavija está conectada en la caja del enchufe mientras el conmutador de alimentación esté en posición ON (conectado) las herramientas eléctricas empezarán a trabajar inmediatamente, provocando un serio accidente.

### 3. Cable de prolongación

Cuando está alejada el área de trabajo de la red de alimentación, usar un cable de prolongación de un grosor y potencia nominal suficiente. El cable de prolongación debe ser mantenido lo más corto posible.

### 4. Preparar un banco de trabajo de madera (Fig. 1)

Como la cuchilla sobresale debajo de la superficie inferior de la madera útil, situar la madera útil encima de un banco de trabajo al cortar. Si se usa un bloque cuadrado como banco de trabajo, seleccionar un fondo liso para asegurar que sea estable. Un banco de trabajo inestable tendrá como resultado una operación peligrosa.

## PRECAUCION

Para evitar posibles accidentes, asegurarse siempre de que la parte de la madera útil restante después de haberla cortado, quede sujetado firmemente y mantenido en su posición.

## AJUSTE DE LA HERRAMIENTA ANTES DE SU USO

### 1. Ajuste de la profundidad de corte

Para ajustar la profundidad de corte, afloje la palanca (A) y, mientras sujeta la base con una mano, mueva el cuerpo principal hacia arriba y abajo para obtener la profundidad de corte prescrita. Después de ajustar a la profundidad de corte prescrita, apriete firmemente la palanca (A) (Fig. 2).

### ATENCIÓN

Es muy peligroso que la palanca (A) se quede floja. Apriétela siempre con fuerza.

### 2. Ajuste del ángulo de inclinación

Al aflojar la palanca (A) en la escala, se puede inclinar la hoja de la sierra hasta un máximo de 45° contra la base.

El ángulo de inclinación también se puede regular aflojando la palomilla de la escala (Fig. 3).

### ATENCIÓN

Es muy peligroso que el perno de mariposa quede flojo. Apriételo siempre con fuerza.

### 3. Regulación de la guía

Se puede regular la posición de corte moviendo la guía a izquierda y derecha tras aflojar el perno de mariposa.

La guía se puede montar tanto en el lado derecho como en el izquierdo (Fig. 4).

## PROCEDIMIENTO DE CORTE

1. Ponga el cuerpo de la sierra (base) en la madera y alinee la línea de corte con la cuchilla de la sierra, utilizando la ranura de la parte delantera de la base. Esta relación entre base y madera deberá permanecer inalterada independientemente de la inclinación de la base (Fig. 5).

2. Ponga el interruptor en la posición de encendido (ON) antes de que la hoja de la sierra entre en contacto con la madera. La máquina se pone en marcha al apretar el disparador y se apaga al soltarlo.

3. Cuando la sierra se mueva todo a la derecha con una velocidad constante producirá un corte efectivo.

## PRECAUCIÓN

Antes de proceder a la operación de corte, verifique el material que va a cortar. Si el material que se va a cortar puede general polvo tóxico o dañino, asegúrese de que la bolsa del polvo o el sistema de extracción de polvo apropiado está conectado a la salida de polvo correctamente.

Póngase la máscara para el polvo.

- Antes de empezar a serrar, verifique que la hoja de la sierra ha alcanzado las revoluciones de velocidad máxima.
- Si la hoja se detiene o emite un ruido extraño durante el funcionamiento, desconecte de inmediato la máquina.
- Tenga siempre cuidado de que el cable de alimentación esté alejado de la hoja de la sierra cuando ésta está en marcha.
- Es muy peligroso utilizar la sierra circular con la hoja apuntando hacia arriba o de lado. Evite estas posiciones en la medida de lo posible.
- Al cortar material, utilice siempre gafas protectoras.
- Cuando termine de trabajar, desenchufe el cable de la toma de pared.

---

## MONTAR Y DESMONTAR LA CUCHILLA

---

### PRECAUCIÓN

Para evitar accidentes graves asegurarse de que el conmutador está la posición OFF (desconectado) y la acometida de red también esté desconectada.

#### 1. Desmontaje de la cuchilla

- (1) Poner el volumen de corte al máximo y situar la sierra circular como se muestra en **Fig. 6**.
- (2) Presionar la palanca de cierre, asegurar el husillo y quitar el perno de pestaña hexagonal.
- (3) Retire la hoja mientras mantiene la palanca del protector inferior totalmente introducida en la cubierta de la sierra.

#### 2. Colocación de la cuchilla

- (1) Limpiar el polvo del husillo, perno y aandelas.
- (2) Como muestra **Fig. 7**, el lado de la arandela (A) con un control sobresaliente del mismo diámetro que el diámetro interior de la cuchilla de sierra y el lado cóncavo de arandela (B), tienen que ser montados a los lados de la cuchilla de sierra.

\* La arandela (A) se suministra para 3 tipos de cuchillas de sierra de orificios interiores de 16, 20 y 30 mm.

(Cuando compre una sierra circular, se le suministrará un tipo de arandela (A).)

En caso de que el orificio interior de su cuchilla de sierra no corresponda con el de la arandela (A), póngase en contacto con el establecimiento en el que haya adquirido la sierra circular.

- (3) Montar la cuchilla de forma que la flecha marcada quede alineada con la flecha de la cubierta.
- (4) Apretar el perno de pestaña hexagonal de retención con la mano tan firmemente como sea posible. Luego presionar la palanca de cierre, trabar el husillo y apretar firmemente el perno.

### PRECAUCIÓN

Después de haber instalado la cuchilla de sierra, vuelva a confirmar que la palanca de cierre esté firmemente asegurada en la posición indicada.

---

## MANTENIMIENTO E INSPECCIÓN

---

#### 1. Inspeccionar la cuchilla

Como el uso de una cuchilla desgastada disminuye la eficiencia y origina posible funcionamiento defectuoso del motor, afilar o reemplazar la cuchilla tan pronto como se note el desgaste.

#### 2. Inspeccionar los tornillos de montaje

Regularmente inspeccionar todos los tornillos de montaje y asegurarse de que estén apretados firmemente. Si cualquier tornillo estuviera suelto, volver a apretarlo inmediatamente. El no hacer esto provocaría un riesgo serio.

#### 3. Inspección de escobillas de carbón (Fig. 8)

El motor emplea carbones de contacto que son partes consumibles. Como un carbón de contacto excesivamente desgastado podría dar problemas al motor, reemplazar el carbón de contacto por uno nuevo, que tenga el mismo número mostrado en la figura, cuando se haya desgastado o esté cerca del límite de uso. Adicionalmente, mantener siempre los carbones de contacto limpios y asegurarse de que corran libremente dentro de los sujetadores de carbón.

#### 4. Reemplazar el carbón de contacto (Fig. 9)

Quitar la cápsula de carbón con un destornillador con cabeza pequeña. El carbón de contacto se deja luego se quita fácilmente.

#### 5. Mantenimiento de motor

La unidad de bobinado del motor es el verdadero "corazón" de las herramientas eléctricas. Prestar el mayor cuidado a asegurarse de que el bobinado no se dañe y/o se humedezca con aceite o agua.

#### 6. Ajuste de la perpendicularidad entre la base y la cuchilla

El ángulo entre la cuchilla y la base, está ajustado originalmente de forma que se mantenga a 90°, pero si se pierde tal ajuste, ajustarlo de la forma siguiente:

- (1) Gire la base hacia arriba (**Fig.10**) y afloje la palanca (A).
- (2) Cuando aplique una escuadra a la base y apoyándola sobre la cuchilla, girar el tornillo sin cabeza con un destornillador (-) para despazar la base, y ajustar la base y la cuchilla de forma que queden en ángulo recto entre sí.

#### 7. Lista de repuestos

- A: N°. ítem
- B: N°. código
- C: N°. usado
- D: Observaciones

### PRECAUCIÓN

La reparación, modificación e inspección de las herramientas eléctricas Hitachi deben ser realizadas por un Centro de Servicio Autorizado de Hitachi. Esta lista de repuestos será de utilidad si es presentada junto con la herramienta al Centro de Servicio Autorizado de Hitachi, para solicitar la reparación o cualquier otro tipo de mantenimiento. En el manejo y el mantenimiento de las herramientas eléctricas, se deberán observar las normas y reglamentos vigentes en cada país.

### MODIFICACIONES

Hitachi Power Tools introduce constantemente mejoras y modificaciones para incorporar los últimos avances tecnológicos.

Por consiguiente, algunas partes (por ejemplo, números de códigos y/o diseño) pueden ser modificadas sin previo aviso.

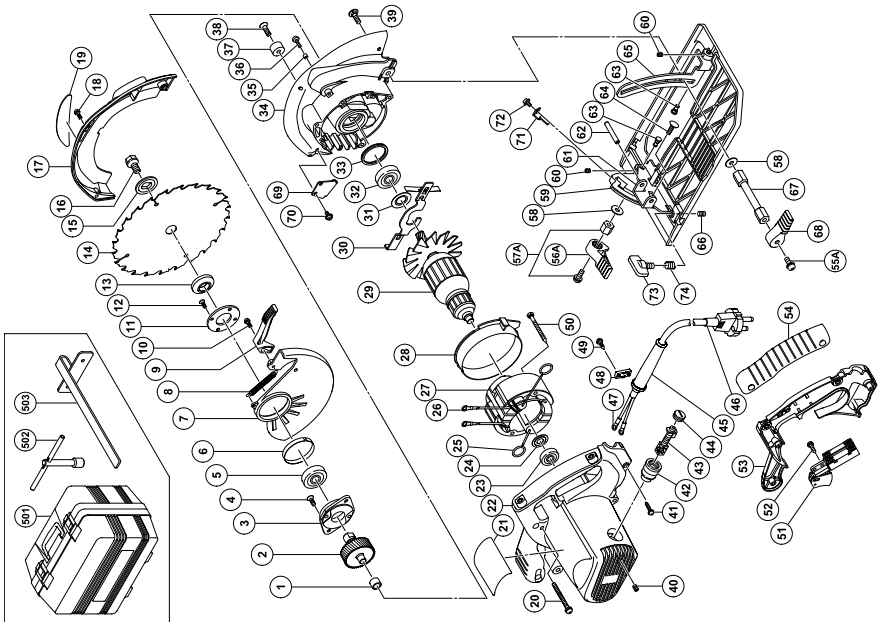
---

### OBSERVACIÓN

Debido al programa continuo de investigación y desarrollo de HITACHI estas especificaciones están sujetas a cambio sin previo aviso.

---

A	B	C	D	A	B	C	D
1	982-027	1	HK1010	41	301-653	5	D4x20
2	320-960	1		42	938-241	2	
3	302-433	1		43	999-038	2	
4	992-013	2	M5x14	44	945-161	2	
5	600-3VV	1	6003VVCMP5ZL	45-1	958-049	1	D8.2
6	961-807	1		45-2	940-778	1	D10.7
7	320-956	1		46		1	
8	320-968	1		47	980-063	2	M4.0
9	320-957	1		48	937-631	1	
10	935-196	1	M4x12	49	984-750	2	D4x16
11	302-435	1		50	953-121	2	D5x50
12	990-430	2	M4x10	51	320-969	1	
13	324-597	1		52	305-720	1	D4x12
14	302-412	1	185MM-D30-NT18	53	320-952	1	
15	324-598	1		54	320-967	1	
16	320-971	1	M8x15.5	55A	322-260	2	M6x14
17	324-594	1		56A	322-600	1	
18	951-039	3	M4x12	57A	322-261	1	
19		1		58	320-975	2	
20	308-357	3	M5x55	59	324-599	1	"55A-58, 60, 61, 63-66, 71-74"
21		1		60	319-541	2	M5x6
22	320-951	1	"40, 42"	61	320-962	1	
23	600-0VV	1	6000VVCMP5ZL	62	949-686	1	D6x40
24	302-428	1		63	320-163	2	D6x13
25	937-623	2		64	942-808	1	M6x20
26	930-804	2	M4.0	65	320-963	1	
27-1	340-638G	1	110V "25, 26"	66	308-109	1	M6x8
27-2	340-528G	1	230V "25, 26"	67	320-966	1	
28	320-958	1		68	322-601	1	
29-1	360-577C	1	110V	69	324-596	1	M4x8
29-2	360-577G	1	230V	70	958-523	2	
30	320-959	1		71	324-595	1	M4x8
31	980-700	1		72	958-523	1	
32	620-2VV	1	6202VVCMP5ZL	73	301-806	1	
33	303-792	1		74	947-859	1	
34	324-600	1		501	321-188	1	
35	311-837	1	M4	502	940-543	1	10MM
36	311-836	1	M4x14	503	302-691	1	
37	961-729	1					
38	949-794	1	M6x20				
39	942-808	1	M6x20				
40	938-477	2	M5x8				



 **Hitachi Koki Co., Ltd.**

810  
Code No. C99120241 F  
Printed in China