

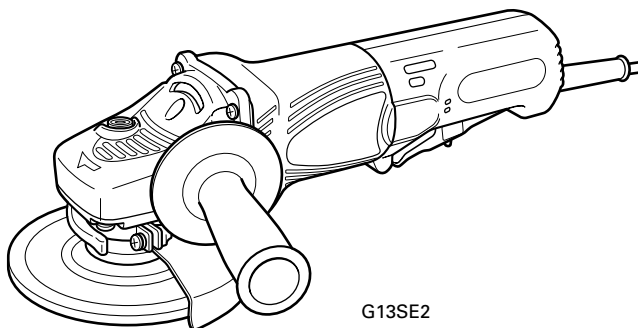
# HITACHI

---

## Disc Grinder Amoladora angular

### G 12SE2 · G 13SE2

---

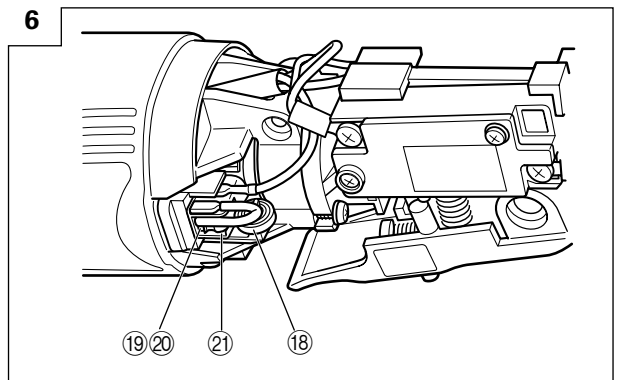
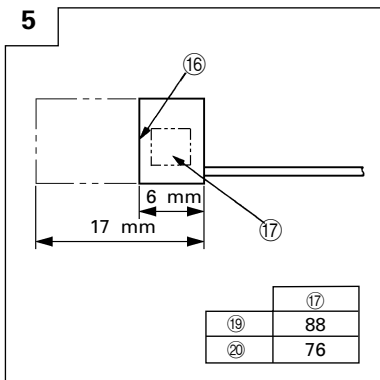
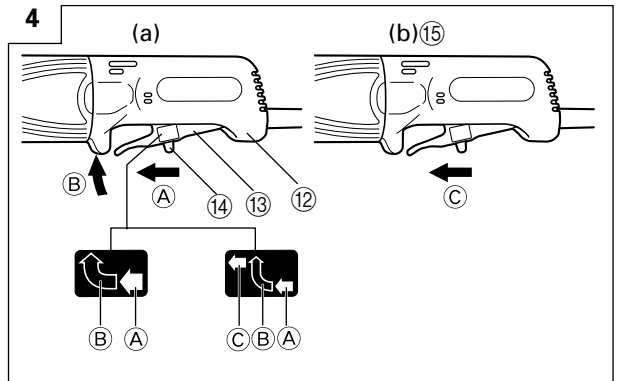
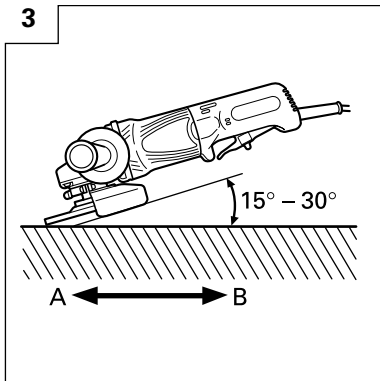
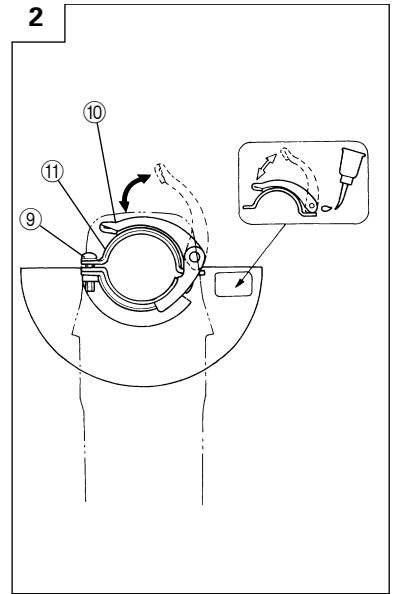
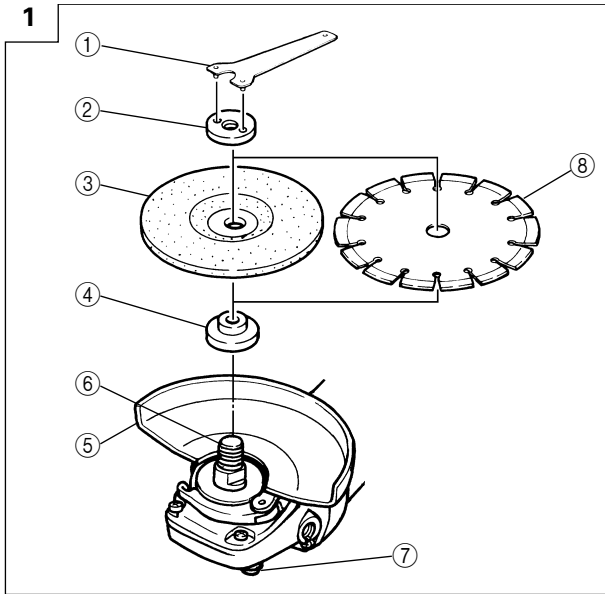


G13SE2

Read through carefully and understand these instructions before use.  
Leer cuidadosamente y comprender estas instrucciones antes del uso.



Handling instructions  
Instrucciones de manejo



	English	Español
①	Wrench	Llave para tuercas
②	Wheel nut	Contratuercas molar
③	Depressed center wheel	Muela de alisado
④	Wheel washer	Arandela molar
⑤	Wheel guard	Cubierta protector de muela
⑥	Spindle	Eje
⑦	Push button	Botón pulsador
⑧	Diamond wheel	Adiamantado
⑨	M5 screw	Tornillo M5
⑩	Lever	Palanca
⑪	Set piece (B)	Pieza de ajuste (B)
⑫	Tail cover	Cubierta posterior
⑬	Paddle lever	Palanca de sujeción
⑭	Lock lever	Palanca de bloqueo
⑮	Switch with locking mechanism	Interruptor con mecanismo de bloqueo
⑯	Wear limit	Límite de uso
⑰	No. of carbon brush	No. de carbón de contacto
⑱	Spring	Resorte
⑲	Usual carbon brush	Escobilla de carbón usual
⑳	Auto-stop carbon brush	Escobilla de carbón de parada
㉑	Brush holder	Portaescobilla

## GENERAL SAFETY RULES

### WARNING!

#### Read all instructions

Failure to follow all instructions listed below may result in electric shock, fire and/or serious injury.

The term "power tool" in all of the warnings listed below refers to your mains operated (corded) power tool or battery operated (cordless) power tool.

### SAVE THESE INSTRUCTIONS

#### 1) Work area

- a) **Keep work area clean and well lit.**  
*Cluttered and dark areas invite accidents.*
- b) **Do not operate power tools in explosive atmospheres, such as in the presence of flammable liquids, gases or dust.**  
*Power tools create sparks which may ignite the dust of fumes.*
- c) **Keep children and bystanders away while operating a power tool.**  
*Distractions can cause you to lose control.*

#### 2) Electrical safety

- a) **Power tool plugs must match the outlet. Never modify the plug in any way. Do not use any adapter plugs with earthed (grounded) power tools.**  
*Unmodified plugs and matching outlets will reduce risk of electric shock.*
- b) **Avoid body contact with earthed or grounded surfaces such as pipes, radiators, ranges and refrigerators.**  
*There is an increased risk of electric shock if your body is earthed or grounded.*
- c) **Do not expose power tools to rain or wet conditions.**  
*Water entering a power tool will increase the risk of electric shock.*
- d) **Do not abuse the cord. Never use the cord for carrying, pulling or unplugging the power tool. Keep cord away from heat, oil, sharp edges or moving parts.**  
*Damaged or entangled cords increase the risk of electric shock.*
- e) **When operating a power tool outdoors, use an extension cord suitable for outdoor use.**  
*Use of a cord suitable for outdoor use reduces the risk of electric shock.*

#### 3) Personal safety

- a) **Stay alert, watch what you are doing and use common sense when operating a power tool. Do not use a power tool while you are tired or under the influence of drugs, alcohol or medication.**  
*A moment of inattention while operating power tools may result in serious personal injury.*
- b) **Use safety equipment. Always wear eye protection.**  
*Safety equipment such as dust mask, non-skid safety shoes, hard hat, or hearing protection used for appropriate conditions will reduce personal injuries.*
- c) **Avoid accidental starting. Ensure the switch is in the off position before plugging in.**  
*Carrying power tools with your finger on the switch or plugging in power tools that have the switch on invites accidents.*
- d) **Remove any adjusting key or wrench before turning the power tool on.**

*A wrench or a key left attached to a rotating part of the power tool may result in personal injury.*

- e) **Do not overreach. Keep proper footing and balance at all times.**  
*This enables better control of the power tool in unexpected situations.*
  - f) **Dress properly. Do not wear loose clothing or jewellery. Keep your hair, clothing and gloves away from moving parts.**  
*Loose clothes, jewellery or long hair can be caught in moving parts.*
  - g) **If devices are provided for the connection of dust extraction and collection facilities, ensure these are connected and properly used.**  
*Use of these devices can reduce dust related hazards.*
- #### 4) Power tool use and care
- a) **Do not force the power tool. Use the correct power tool for your application.**  
*The correct power tool will do the job better and safer at the rate for which it was designed.*
  - b) **Do not use the power tool if the switch does not turn it on and off.**  
*Any power tool that cannot be controlled with the switch is dangerous and must be repaired.*
  - c) **Disconnect the plug from the power source before making any adjustments, changing accessories, or storing power tools.**  
*Such preventive safety measures reduce the risk of starting the power tool accidentally.*
  - d) **Store idle power tools out of the reach of children and do not allow persons unfamiliar with the power tool or these instructions to operate the power tool.**  
*Power tools are dangerous in the hands of untrained users.*
  - e) **Maintain power tools. Check for misalignment or binding of moving parts, breakage of parts and any other condition that may affect the power tools operation.**  
*If damaged, have the power tool repaired before use.*  
*Many accidents are caused by poorly maintained power tools.*
  - f) **Keep cutting tools sharp and clean.**  
*Properly maintained cutting tools with sharp cutting edges are less likely to bind and are easier to control.*
  - g) **Use the power tool, accessories and tool bits etc., in accordance with these instructions and in the manner intended for the particular type of power tool, taking into account the working conditions and the work to be performed.**  
*Use of the power tool for operations different from intended could result in a hazardous situation.*

#### 5) Service

- a) **Have your power tool serviced by a qualified repair person using only identical replacement parts.**  
*This will ensure that the safety of the power tool is maintained.*

### PRECAUTION

**Keep children and infirm persons away. When not in use, tools should be stored out of reach of children and infirm persons.**

## PRECAUTIONS ON USING DISC GRINDER

1. Never operate these power tools without Wheel Guards.
2. Check that speed marked on the wheel is equal to or greater than the rated speed of the grinder. Use only depressed center wheels rated at 80m/s or more.
3. Ensure that the wheel dimensions are compatible with the grinder and that the wheel fits the spindle.
4. Abrasive wheels shall be stored and handled with care in accordance with manufacturer's instructions.
5. Inspect the depressed center wheel before use, do not use chipped, cracked or otherwise defective products.
6. Always hold the body handle and side handle of the power tool firmly. Otherwise the counterforce produced may result in inaccurate and even dangerous operation.
7. Do not use cutting-off wheels for side grinding.
8. Do not use of separate reducing bushings or adapters to adapt large hole abrasive wheels.
9. The wheel continues to rotate after the tool is switched off.

## SPECIFICATIONS

Model	G12SE2		G13SE2	
Voltage (by areas)*	(110V, 120V, 230V, 240V) √			
Power Input*	1200 W			
No-load speed*	11000 min <sup>-1</sup>			
Wheel	outer dia. × hole dia.	115 × 22 mm		125 × 22 mm
	peripheral speed	80 m/s		
Weight (only main body)	1.9 kg			

\*Be sure to check the nameplate on product as it is subject to change by areas.

## STANDARD ACCESSORIES

- (1) Depressed center wheel ..... 1  
 (2) Wrench ..... 1  
 (3) Side handle ..... 1  
 Standard accessories are subject to change without notice.

## APPLICATIONS

- Removal of casting fin and finishing of various types of steel, bronze and aluminum materials and castings.
- Grinding of welded sections or sections cut by means of a cutting torch.
- Grinding of synthetic resins, slate, brick, marble, etc.
- Cutting of synthetic concrete, stone, brick, marble, and similar materials.

## PRIOR TO OPERATION

### 1. Power source

Ensure that the power source to be utilized conforms to the power requirements specified on the product nameplate.

### 2. Power switch

Ensure that the power switch is in the OFF position. If the plug is connected to a receptacle while the power switch is in the ON position, the power tool will start operating immediately, which could cause a serious accident.

### 3. Extension cord

When the work area is removed from the power source, use an extension cord of sufficient thickness and rated capacity. The extension cord should be kept as short as practicable.

### 4. Fitting and adjusting the wheel guard

The wheel guard is a protective device to prevent injury should the depressed center wheel be shattered during operation. Ensure that the wheel guard is properly fitted and fastened before commencing grinding operation.

[How to attach and adjust the wheel guard](Fig. 2)

- Set the wheel ass'y to the packing gland.
- Tighten M5 screw to secure the wheel guard while the lever is in closed position.
- Perform the adjustment of the wheel guard while the lever is released. (Loosen M5 screw and readjust if the wheel guard does not rotate smoothly.)
- After adjustment, if grinder operation is required, perform the operation only after setting the lever in closed position.
- Lubricate the sliding section of the set piece (B) and the lever if the lever does not move smoothly.

5. Ensure that mounted wheels and points are fitted in accordance with the manufacturer's instructions. Ensure that the depressed center wheel to be utilized is the correct type and free of cracks or surface defects. Also ensure that the depressed center wheel is properly mounted and the wheel nut is securely tightened, Refer to the section on "Depressed Center Wheel Assembly".

Ensure that blotters are used when they are provided with the bonded abrasive product and when they are required.

Do not use separate reducing bushings or adaptors to adapt large hole abrasive wheels.

For tools intended to be fitted with threaded hole wheel, ensure that the thread in the wheel is long enough to accept the spindle length.

Do not use cutting off wheel for side grinding.

## 6. Conducting a trial run

Ensure that the abrasive products is correctly mounted and tightened before use and run the tool at no-load for 30 seconds in a safe position, stop immediately if there is considerable vibration or if other defects are detected.

If this condition occurs, check the machine to determine the cause.

## 7. Confirm the push button

Confirm that the push button is disengaged by pushing push button two or three times before switching the power tool on (See Fig. 1).

## 8. Fixing the side handle

Screw the side handle into the gear cover.

---

## PRACTICAL GRINDER APPLICATION

---

### 1. Pressure

To prolong the life of the machine and ensure a first class finish, it is important that the machine should not be overloaded by applying too much pressure. In most applications, the weight of the machine alone is sufficient for effective grinding. Too much pressure will result in reduced rotational speed, inferior surface finish, and overloading which could reduce the life of the machine.

### 2. Grinding angle

Do not apply the entire surface of the depressed center wheel to the material to be ground. As shown in Fig. 3, the machine should be held at an angle of 15° – 30° so that the external edge of the depressed center wheel contacts the material at an optimum angle.

3. To prevent a new depressed center wheel from digging into the workpiece, initial grinding should be performed by drawing the grinder across the workpiece toward the operator (Fig. 3 direction B). Once the leading edge of the depressed center wheel is properly abraded, grinding may be conducted in either direction.

### 4. Switch operation

[When the switch has locking mechanism]

Switch ON: To switch on, slide the lock lever in the direction of Ⓐ and press the paddle lever in the direction of Ⓑ as shown in Fig. 4-a.

Furthermore, slide the lock lever in the direction of Ⓒ shown in Fig. 4-b while pressing the paddle lever to lock and enable continuous operation.

Switch OFF: To release the locking mode, press the paddle lever in the direction of Ⓓ shown in Fig. 4-a, and release the paddle lever to switch off.

[When the switch has no locking mechanism]

To switch on, slide the lock lever in the direction of Ⓐ and press the paddle lever in the direction of Ⓑ as shown in Fig. 4-a. Release the paddle lever to switch off.

### NOTE

The paddle lever can not be locked.

5. Precautions immediately after finishing operation  
The wheel continues to rotate after the tool is switched off.

After switching off the machine, do not put it down until the depressed center wheel has come to a

complete stop. Apart from avoiding serious accidents, this precaution will reduce the amount of dust and swarf sucked into the machine.

## CAUTIONS

- Check that the work piece is properly supported.
- Ensure that ventilation openings are kept clear when working in dusty conditions.  
If it should become necessary to clear dust, first disconnect the tool from the mains supply (use non-metallic objects) and avoid damaging internal parts.
- Ensure that sparks resulting from use do not create a hazard e.g. do not hit persons, or ignite flammable substances.
- Always use protective safety glasses and hearing protectors, use other personal protective equipment such as gloves, apron and helmet when necessary.
- Always use eye and ear protection.  
Other personal protective equipment such as dust mask, gloves, helmet and apron should be worn when necessary.  
If in doubt, wear the protective equipment.
- When the machine is not use, the power source should be disconnected.

---

## ASSEMBLING AND DISASSEMBLING THE DEPRESSED CENTER WHEEL (Fig. 1)

---

### CAUTION

Be sure to switch OFF and disconnect the attachment plug from the receptacle to avoid a serious accident.

### 1. Assembling (Fig. 1)

- (1) Turn the disc grinder upsidedown so that the spindle is facing upward.
- (2) Align the across flats of the wheel washer with the notched part of the spindle, then attach them.
- (3) Fit the protuberance of the depressed center wheel onto the wheel washer.
- (4) Screw the wheel nut onto the spindle.
- (5) While pushing the push button with one hand, lock the spindle by turning the depressed center wheel slowly with the other hand.  
Tighten the wheel nut by using the supplied wrench as shown in Fig. 1.

### 2. Disassembling

Follow the above procedures in reverse.

### CAUTIONS

- Confirm that the depressed center wheel is mounted firmly.
- Confirm that the push button is disengaged by pushing push button two or three times before switching the power tool on.

---

## MAINTENANCE AND INSPECTION

---

### 1. Inspecting the depressed center wheel

Ensure that the depressed center wheel is free of cracks and surface defects.

### 2. Inspecting the mounting screws

Regularly inspect all mounting screws and ensure that they are properly tightened. Should any of the screws be loose, retighten them immediately. Failure to do so could result in serious hazard.

### 3. Inspecting the carbon brushes (Fig. 5)

The Motor employs carbon brushes which are consumable parts. When they become worn to or near the "wear limit", it could result in motor

trouble. When an auto-stop carbon brush is equipped, the motor will stop automatically. At that time, replace both carbon brushes with new ones which have the same carbon brush Numbers shown in the figure. In addition, always keep carbon brushes clean and ensure that they slide freely within the brush holders.

#### 4. Replacing carbon brushes (Fig. 6)

<Disassembly>

- (1) Loosen the D4 tapping screw retaining the tail cover and remove the tail cover.
- (2) Use the auxiliary hexagonal wrench or small screwdriver to pull up the edge of the spring that is holding down the carbon brush. Remove the edge of the spring toward the outside of the brush holder.
- (3) Remove the end of the pig-tail on the carbon brush from the terminal section of brush holder and then remove the carbon brush from the brush holder.

<Assembly>

- (1) Insert the end of the pig-tail of the carbon brush in the terminal section of brush holder.
- (2) Insert the carbon brush in the brush holder.
- (3) Use the auxiliary hexagonal wrench or small screwdriver to return the edge of the spring to the head of the carbon brush.
- (4) Mount the tail cover and tighten the D4 tapping screw.

#### 5. Maintenance of the motor

The motor unit winding is the very "heart" of the power tool. Exercise due care to ensure the winding does not become damaged and/or wet with oil or water.

#### 6. Service parts list

- A: Item No.
- B: Code No.
- C: No. Used
- D: Remarks

#### CAUTION

Repair, modification and inspection of Hitachi Power Tools must be carried out by an Hitachi Authorized Service Center.

This Parts List will be helpful if presented with the tool to the Hitachi Authorized Service Center when requesting repair or other maintenance.

In the operation and maintenance of power tools, the safety regulations and standards prescribed in each country must be observed.

#### MODIFICATIONS

Hitachi Power Tools are constantly being improved and modified to incorporate the latest technological advancements.

Accordingly, some parts (i.e. code numbers and/or design) may be changed without prior notice.

---

#### NOTE

Due to HITACHI's continuing program of research and development, the specifications herein are subject to change without prior notice.

---

## NORMAS GENERALES DE SEGURIDAD

### ¡ADVERTENCIA!

#### Lea todas las instrucciones

*Si no se siguen las instrucciones de abajo podría producirse una descarga eléctrica, un incendio y/o daños graves.*

*El término "herramienta eléctrica" en todas las advertencias indicadas a continuación hace referencia a la herramienta eléctrica que funciona con la red de suministro (con cable) o a la herramienta eléctrica que funciona con pilas (sin cable).*

### CONSERVE ESTAS INSTRUCCIONES

#### 1) Área de trabajo

- a) **Mantenga la zona de trabajo limpia y bien iluminada.**

*Las zonas desordenadas y oscuras pueden provocar accidentes.*

- b) **No utilice las herramientas eléctricas en entornos explosivos como, por ejemplo, en presencia de líquidos inflamables, gases o polvo.**

*Las herramientas eléctricas crean chispas que pueden hacer que el polvo desprenda humo.*

- c) **Mantenga a los niños y transeúntes alejados cuando utilice una herramienta eléctrica.**

*Las distracciones pueden hacer que pierda el control.*

#### 2) Seguridad eléctrica

- a) **Los enchufes de las herramientas eléctricas tienen que ser adecuados a la toma de corriente. No modifique el enchufe.**

*No utilice enchufes adaptadores con herramientas eléctricas conectadas a tierra. Si no se modifican los enchufes y se utilizan tomas de corriente adecuadas se reducirá el riesgo de descarga eléctrica.*

- b) **Evite el contacto corporal con superficies conectadas a tierra como tuberías, radiadores y frigoríficos.**

*Hay mayor riesgo de descarga eléctrica si su cuerpo está en contacto con el suelo.*

- c) **No exponga las herramientas eléctricas a la lluvia o a la humedad.**

*La entrada de agua en una herramienta eléctrica aumentará el riesgo de descarga eléctrica.*

- d) **No utilice el cable incorrectamente. No utilice el cable para transportar, tirar de la herramienta eléctrica o desenchufarla.**

*Mantenga el cable alejado del calor, del aceite, de bordes afilados o piezas móviles.*

*Los cables dañados o enredados aumentan el riesgo de descarga eléctrica.*

- e) **Cuando utilice una herramienta eléctrica al aire libre, utilice un cable prolongador adecuado para utilizarse al aire libre.**

*La utilización de un cable adecuado para usarse al aire libre reduce el riesgo de descarga eléctrica.*

#### 3) Seguridad personal

- a) **Esté atento, preste atención a lo que hace y utilice el sentido común cuando utilice una herramienta eléctrica.**

*No utilice una herramienta eléctrica cuando esté cansado o esté bajo la influencia de drogas, alcohol o medicación.*

*La distracción momentánea cuando utiliza herramientas eléctricas puede dar lugar a importantes daños personales.*

- b) **Utilice equipo de seguridad. Utilice siempre una protección ocular.**

*El equipo de seguridad como máscara para el polvo, zapatos de seguridad antideslizantes, casco o protección para oídos utilizado para condiciones adecuadas reducirá los daños personales.*

- c) **Evite un inicio accidental. Asegúrese de que el interruptor está en "off" antes de enchufarlo.**

*El transporte de herramientas eléctricas con el dedo en el interruptor o el enchufe de herramientas eléctricas con el interruptor encendido puede provocar accidentes.*

- d) **Retire las llaves de ajuste antes de encender la herramienta eléctrica.**

*Si se deja una llave en una pieza giratoria de la herramienta eléctrica podrían producirse daños personales.*

- e) **No se extralimite. Mantenga un equilibrio adecuado en todo momento.**

*Esto permite un mayor control de la herramienta eléctrica en situaciones inesperadas.*

- f) **Vístase adecuadamente. No lleve prendas sueltas o joyas. Mantenga el pelo, la ropa y los guantes alejados de las piezas móviles.**

*La ropa suelta, las joyas y el pelo largo pueden pillarse en las piezas móviles.*

- g) **Si se proporcionan dispositivos para la conexión de extracción de polvo e instalaciones de recogida, asegúrese de que están conectados y se utilizan adecuadamente.**

*La utilización de estos dispositivos puede reducir los riesgos relacionados con el polvo.*

#### 4) Utilización y mantenimiento de las herramientas eléctricas

- a) **No fuerce la herramienta eléctrica. Utilice la herramienta eléctrica correcta para su aplicación.**

*La herramienta eléctrica correcta trabajará mejor y de forma más segura si se utiliza a la velocidad para la que fue diseñada.*

- b) **No utilice la herramienta eléctrica si el interruptor no la enciende y apaga.**

*Las herramientas eléctricas que no pueden controlarse con el interruptor son peligrosas y deben repararse.*

- c) **Desconecte el enchufe de la fuente eléctrica antes de hacer ajustes, cambiar accesorios o almacenar herramientas eléctricas.**

*Estas medidas de seguridad preventivas reducen el riesgo de que la herramienta eléctrica se ponga en marcha accidentalmente.*

- d) **Guarde las herramientas eléctricas que no se utilicen para que no las cojan los niños y no permita que utilicen las herramientas eléctricas personas no familiarizadas con las mismas o con estas instrucciones.**

*Las herramientas eléctricas son peligrosas si son utilizadas por usuarios sin formación.*

- e) **Mantenimiento de las herramientas eléctricas. Compruebe si las piezas móviles están mal alineadas o unidas, si hay alguna pieza rota u otra condición que pudiera afectar al funcionamiento de las herramientas eléctricas.**



Si la herramienta eléctrica está dañada, llévela a reparar antes de utilizarla.

*Se producen muchos accidentes por no realizar un mantenimiento correcto de las herramientas eléctricas.*

**f) Mantenga las herramientas de corte afiladas y limpias.**

*Las herramientas de corte correctamente mantenidas con los bordes de corte afilados son más fáciles de controlar.*

**g) Utilice la herramienta eléctrica, los accesorios y las brocas de la herramienta, etc., de acuerdo con estas instrucciones y de la manera adecuada para el tipo de herramienta eléctrica, teniendo en cuenta las condiciones laborales y el trabajo que se va a realizar.**

*La utilización de la herramienta eléctrica para operaciones diferentes a pretendidas podría dar lugar a una situación peligrosa.*

**5) Revisión**

**a) Lleve su herramienta a que la revise un experto cualificado que utilice sólo piezas de repuesto idénticas.**

*Esto garantizará el mantenimiento de la seguridad de la herramienta eléctrica.*

**PRECAUCIÓN**

**Mantenga a los niños y a las personas enfermas alejadas.**

**Cuando no se utilicen, las herramientas deben almacenarse fuera del alcance de los niños y de las personas enfermas.**

**PRECAUCIONES AL UTILIZAR LA AMOLADORA ANGULAR**

1. Nunca trabajar con estas herramientas eléctricas sin cubiertas protectoras de la muela.
2. Compruebe que la velocidad marcada en la muela sea igual o mayor que la velocidad nominal de la amoladora.  
Emplee sólo muelas de centro hundido con una velocidad nominal de 80 m/s o más.
3. Compruebe que las dimensiones de la muela sean compatibles con la amoladora y que la muela encaja en el husillo.
4. Las muelas abrasivas se deben almacenar y tratar con cuidado, de conformidad con las instrucciones del fabricante.
5. Inspeccione la muela rectificadora antes del uso, y no utilice productos descascarados, agrietados o defectuosos de cualquier otro manera.
6. Sujetar siempre firmemente el asidero del cuerpo y el asidero lateral de la herramienta. De lo contrario la contrafuerza producida podría causar un funcionamiento impreciso e incluso peligroso.
7. No utilice las muelas de tallado para el amolado lateral.
8. No utilice los bujes o adaptadores de reducción separados para adaptar muelas abrasivas de orificio grande.
9. La muela continúa girando aún después de apagar la herramienta.

**ESPECIFICACIONES**

Modelos	G12SE2	G13SE2
Voltaje (por áreas)*	(110V, 120V, 230V, 240V) ~	
Acometida*	1200 W	
Velocidad marcha en vacío*	11000 min <sup>-1</sup>	
Muela	diámetro exterior × diámetro interior	115 × 22 mm
	Velocidad periférica	80 m/s
Peso (cuerpo principal solamente)	1,9 kg	

\* Verificar indefectiblemente los datos de la placa de características de la máquina, pues varían de acuerdo al país de destino.

**ACCESORIOS ESTANDAR**

- (1) Muela de alisado ..... 1  
 (2) Llave para tuercas ..... 1  
 (3) Asidero lateral ..... 1  
 Los accesorios estándar están sujetos a cambio sin previo aviso.

**APLICACIONES**

- Eliminación de rebabas de juntas y acabado de diversos tipos de acero, bronce y aluminio, materiales y fundiciones.
- Alisado de secciones soldadas o secciones cortadas por medio de soldadura.

- Alisado de resina sintética, pizarra, ladrillo, mármol, etc.
- Corte de hormigón sintético, piedra, ladrillos, mármol, y materiales similares.

**ANTES DE LA PUESTA EN MARCHA**

**1. Alimentación**

Asegurarse de que la alimentación de red que ha de ser utilizada responda a las exigencias de corriente especificadas en la placa de características del producto.

**2. Conmutador de alimentación**

Asegurarse de que el conmutador de alimentación esté en la posición OFF (desconectado). Si la clavija está conectada en la caja del enchufe mientras el

conmutador de alimentación está en posición ON (conectado) las herramientas eléctricas empezarán a trabajar inmediatamente, provocando un serio accidente.

### 3. Cable de prolongación

Cuando está alejada el área de trabajo de la red de alimentación, usar un cable de prolongación de un grosor y potencia nominal suficiente. El cable de prolongación debe ser mantenido lo más corto posible.

### 4. Montar y ajustar la cubierta protectora de muela

La cubierta protectora de muela es un dispositivo protector para evitar los daños que podrían causar los fragmentos de la muela durante la operación. Asegúrese de que la cubierta protectora esté adecuadamente instalada y apretada antes de iniciar la operación de esmerilado.

[Forma de fijar y ajustar la cubierta protectora de muela](Fig. 2)

- Coloque el conjunto de la rueda en el prensaestopas.
  - Apriete el tornillo M5 para asegurar la cubierta protectora de muela manteniendo la palanca en posición cerrada.
  - Realice el ajuste de la cubierta protectora de muela con la palanca liberada. (Afloje el tornillo M5 y reajuste si la cubierta protectora de muela no gira suavemente.)
  - Después del ajuste, si necesita utilizar la máquina, hágalo solamente después de haber puesto la palanca en posición de cerrada.
  - Lubrique la sección deslizante de la pieza de sujeción (B) y la palanca si ésta no se mueve suavemente.
5. Asegúrese de que las muelas y las puntas montadas se encuentren instaladas de acuerdo con las instrucciones del fabricante.

Asegurarse de que la muela de alisado a utilizar sea de tipo correcto y libre de rajaduras o defectos de superficie. También asegurarse de que la muela de alisado esté montada debidamente y que la contratuerca de muela esté apretada firmemente. Dirigirse a la sección de "montaje de muela de alisado".

Asegúrese de que se utilicen discos de papel secante cuando estén provistos con el producto abrasivo ligado, y cuando sean requeridos.

No utilice casquillos reductores ni adaptadores para adaptar las muelas abrasivas de gran orificio.

Para las herramientas que se han de montar con muelas de orificio roscado, asegúrese de que la rosca de la muela sea lo suficientemente larga para poder aceptar el largo del husillo.

No utilice la muela de corte para el rectificado lateral.

### 6. Realizar una prueba

Asegúrese de que los productos abrasivos estén correctamente montados y apretados antes del uso, y haga funcionar la herramienta sin carga durante 30 segundos en una posición segura. Apáguela inmediatamente si nota una vibración considerable u otros defectos. Si se produce esta condición, inspeccione la herramienta para determinar la causa.

### 7. Confirme el botón

Confirme que el botón pulsador esté desactivado presionando el botón pulsador dos o tres veces antes de conectar la alimentación de la herramienta eléctrica (vea la Fig. 1).

### 8. Instalación del asidero lateral

Atornille el asidero lateral en la cubierta de engranaje.

## APLICACION PRACTICA DEL ALISADOR

### 1. Presión

Para prolongar la vida de la máquina y asegurar un acabado de primera clase, es importante que la máquina no sea recalentada aplicando demasiada presión. En la mayoría de las aplicaciones el sólo peso de la máquina, es suficiente para un alisado efectivo. Demasiada presión ocasionaría una reducida velocidad rotacional, inferior acabado de superficie y recalentamiento que reduciría la vida de la máquina.

### 2. Angulo de alisado

No aplicar toda la superficie de la muela de alisado al material a alisar. Como muestra en Fig. 3, la máquina deberá ser mantenida en un ángulo de 15° - 30° de tal manera que el canto externo de la muela de alisado contacte la pieza de trabajo en un ángulo óptimo.

3. Para prevenir que una nueva muela de alisado cave la pieza de trabajo, el alisado inicial debe ser llevado a cabo tirando de la amoladora por encima de la pieza de trabajo hacia el operario (Fig. 3 dirección B). Una vez que el canto directriz de la muela de alisado esté bien raspado, el alisado puede ser realizado en cualquier dirección.

### 4. Operación del interruptor

[Cuando el interruptor posea mecanismo de bloqueo]

NO: Para poner la máquina en funcionamiento, deslice la palanca de bloqueo (A) y después la palanca de sujeción en el sentido de (B) como se muestra en la Fig. 4-a. Además, deslice la palanca de bloqueo en el sentido de (C) como se muestra en la Fig. 4-b manteniendo presionada la palanca de sujeción para permitir la operación continua.

OFF: Para desactivar el modo de bloqueo, presione la palanca de sujeción en el sentido de (B), como se indica en la Fig. 4-a, y suéltela a fin de parar la máquina.

[Cuando el interruptor no posea mecanismo de bloqueo]

Para poner la máquina en funcionamiento, deslice la palanca de bloqueo en el sentido de (A) y presione la palanca de sujeción en el sentido de (B) como se indica en la Fig. 4-a. Para parar la máquina, suelte la palanca de sujeción.

### NOTA

La palanca de sujeción no puede bloquearse.

### 5. Precauciones inmediatamente después de haber acabado la operación.

La muela continuará girando después de apagar la herramienta.

Después de desconectar la máquina no posarla antes de que la muela de alisado se haya parado completamente. Aparte de evitar serios accidentes, esta precaución reduciría la cantidad de polvo y limaduras absorbidos por la máquina.

### PRECAUCIONES

- Compruebe que la pieza de trabajo esté correctamente soportada.
- Cuando trabaje en ambientes polvorientos, asegúrese de que las aberturas de ventilación se mantengan libres de obstrucciones.

Si llegara a ser necesario eliminar el polvo, primero desconecte la herramienta del tomacorriente de la red (use objetos no metálicos) y evite que se dañen las piezas internas.

- Asegúrese de que las chispas resultantes del uso no representen peligro alguno, por ejemplo, que no alcancen a las personas, ni que incendien sustancias inflamables.
- Utilice siempre protectores oculares y auriculares. Otros equipos de protección personal, como máscara contra el polvo, guantes, casco y delantal se deben usar según se requiera.
- En caso de dudas, utilice el equipo de protección.
- Cuando no se usa la máquina, debe estar desconectada la acometida de red.

## MONTAJE Y DESMONTAJE DE LA MUELA ALISADO (Fig. 1)

### PRECAUCION

Cerchiórese de desconectar la alimentación y desenchufe el enchufe de la toma de alimentación de la red para evitar averías serias.

#### 1. Montaje (Fig. 1)

- (1) Coloque la amoladora angular boca abajo de manera que el eje quede hacia arriba.
- (2) Alinee la distancia entre caras de la arandela de rueda con la parte muescada del eje, y luego fíjelas.
- (3) Encaje la protuberancia de la muela de alisado en la arandela molar.
- (4) Enrosque la tuerca de rueda en el eje.
- (5) Mientras empuja el botón pulsador con una mano, bloquee el eje haciendo girar lentamente la rueda de disco abombado con una mano. Apriete la tuerca de rueda utilizando la llave suministrada, de la manera mostrada en la Fig. 1.

#### 2. Desmontaje

Seguir los procedimientos antedichos a la inversa.

### PRECAUCIONES

- Confirme que la muela de alisado esté firmemente montada.
- Confirmar que el botón esté desactivado presionando el botón dos o tres veces antes de conectar la alimentación de la herramienta eléctrica.

## MANTENIMIENTO E INSPECCION

### 1. Inspeccionar la muela de alisado

Asegurarse de que la muela de alisado esté libre de rajás y defectos en la superficie.

### 2. Inspeccionar los tornillos de montaje

Regularmente inspeccionar todos los tornillos de montaje y asegurarse de que estén apretados firmemente. Si cualquier tornillo estuviera suelto, volver a apretarlo inmediatamente. El no hacer esto provocaría un riesgo serio.

### 3. Inspeccionar los carbones de contacto (Fig. 5)

El motor emplea escobillas de carbón que son partes consumibles. Cuando se gastan o están cerca del "límite de desgaste" pueden causar problemas al motor.

Al equiparse la escobilla de carbón de parada automática, el motor se detendrá automáticamente en ese momento hay que proceder a cambiar ambas

escobillas de carbón por la nuevas, que tienen los mismos números de escobillas de carbón como se muestra en la figura. Además siempre hay que mantener las escobillas de carbón limpias y asegurarse de que se muevan libremente en sus porta-escobillas.

### 4. Reemplazar el carbón de contacto (Fig. 6)

<Desmontaje>

- (1) Afloje el tornillo autorroscante D4 que sujeta la cubierta de la cola y desmonte ésta.
- (2) Emplee la llave macho hexagonal auxiliar o un pequeño destornillador para tirar del borde del resorte helicoidal que empuja hacia abajo el carbón de contacto. Extraiga el dorde del resorte hacia afuera el soporte del carbón de contacto.
- (3) Extraiga la sección del soporte carbón de contacto en la sección del terminal del soporte del carbón de contacto y después extraiga el carbón de contacto de su soporte.

<Montaje>

- (1) Inserte el extremo del conductor helicoidal del carbón de contacto en la sección del terminal del soporte del carbón de contacto.
- (2) Inserte el carbón de contacto en el soporte del mismo.
- (3) Emplee la llave macho hexagonal auxiliar o un pequeño destornillador para devolver el borde del resorte helicoidal hasta la cabeza del carbón de contacto.
- (4) Cierre la cubierta de la cola y apriete el tornillo autorroscante D4.

### 5. Mantenimiento de motor

La unidad de bobinado del motor es el verdadero "corazón" de las herramientas eléctricas. Prestar el mayor cuidado a asegurarse de que el bobinado no se dañe y/o se humedezca con aceite o agua.

### 6. Lista de repuestos

- A: N°. ítem
- B: N°. código
- C: N°. usado
- D: Observaciones

### PRECAUCIÓN

La reparación, modificación e inspección de las herramientas eléctricas Hitachi deben ser realizadas por un Centro de Servicio Autorizado de Hitachi. Esta lista de repuestos será de utilidad si es presentada junto con la herramienta al Centro de Servicio Autorizado de Hitachi, para solicitar la reparación o cualquier otro tipo de mantenimiento. En el manejo y el mantenimiento de las herramientas eléctricas, se deberán observar las normas y reglamentos vigentes en cada país.

### MODIFICACIONES

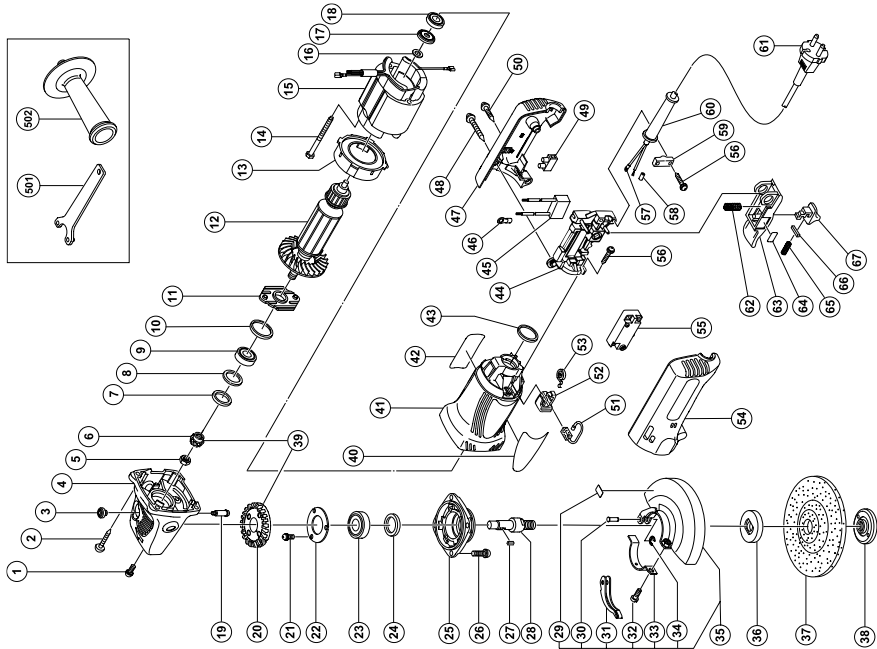
Hitachi Power Tools introduce constantemente mejoras y modificaciones para incorporar los últimos avances tecnológicos.

Por consiguiente, algunas partes (por ejemplo, números de códigos y/o diseño) pueden ser modificadas sin previo aviso.

### OBSERVACION

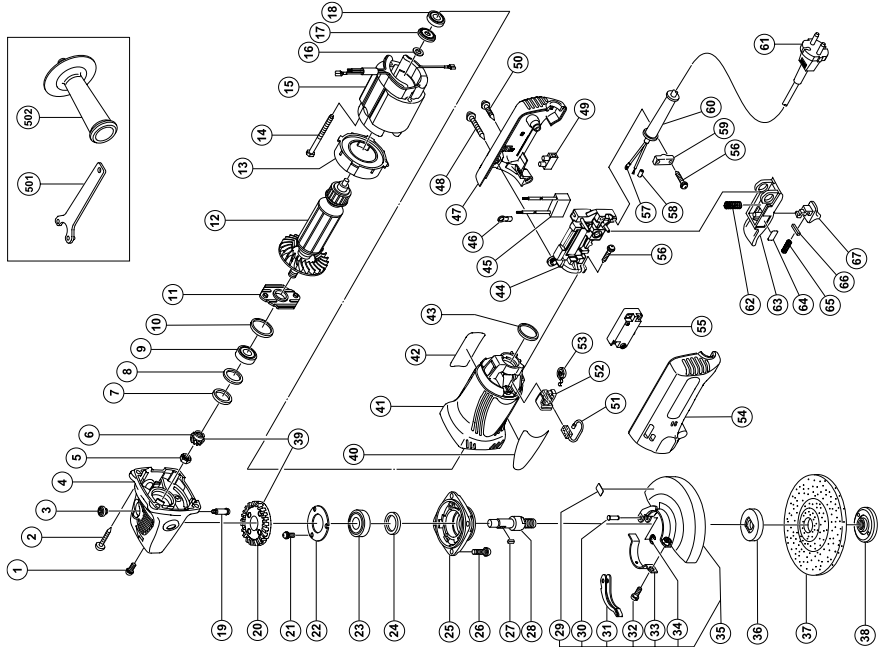
Debido al programa continuo de investigación y desarrollo de HITACHI éstas especificaciones están sujetas a cambio sin previo aviso.

# G12SE2

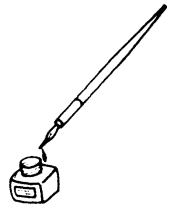


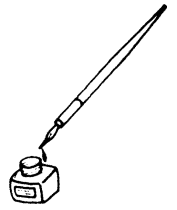
A	B	C	D	A	B	C	D
1	303-255	2	M4x10	41	321-731	1	
2	320-523	4	D5x25	42	_____	1	
3	301-944	1		43	321-733	1	
4	321-737	1	"3, 19"	44	311-738	1	
5	949-558	1	M8	45	930-039	1	
6	308-541	1		46	311-741	1	
7	308-543	1		47	321-739	1	
8	980-866	1		48	303-694	2	D4x35
9	629-T12	1	629T12DCC3PS2-L	49	938-307	1	
10	957-754	1		50	301-653	1	D4x20
11	321-734	1		51	999-088	1	
12	360-603C	1	110V	51.2	999-076	1	
12.2	360-603U	1	120V	52	317-810	2	
12.3	360-603E	1	230V-240V	53	308-536	2	
13	321-732	1		54	321-738	1	
14	982-021	2	D4x70	55	311-739	1	
15	340-551C	1	110V	56	984-750	3	D4x16
15.2	340-551D	1	120V	57	980-063	1	
15.3	340-551E	1	230V	58	981-373	2	GBR (110V)
15.4	340-551F	1	240V	59	960-266	1	
16	311-737	1	GBR (110V)	60	953-327	1	D8.8
17	315-877	1		61	_____	1	
17.2	311-435	1	GBR (110V)	62	983-595	1	
18	608-VVM	1	608VV/C2PS2L	63	308-554	1	
19	301-943	1		64	308-557	1	
20	321-736	1		64.2	308-558	1	"NZL, FIJ, AUS, GBR"
21	991-207	3	M4x8	65	301-631	1	
22	936-680	1		66	982-696	1	3x3x15
23	620-1DD	1	6201DDCMPS2L	67	308-555	1	
24	308-546	1		67.2	308-556	1	"NZL, FIJ, AUS, GBR"
25	308-545	1		501	938-332Z	1	
26	307-046	4	M5x16	502	994-322	1	
27	944-109	1	3x3x8				
28	994-301	1					
29	311-492	1					
30	311-744	1					
31	311-743	1					
32	880-734	1	M5x25				
33	311-491	1					
34	874-759	1	"29 - 34"				
35	311-745	1					
36	937-817Z	1					
37	316-821	1	115MM A36Q				
38	994-324	1	M14				
39	321-735	1	"6, 20"				
40	_____	1					

# G13SE2



A	B	C	D	A	B	C	D
1	303-255	2	M4x10	41	321-731	1	
2	320-523	4	D5x25	42	_____	1	
3	301-944	1	"3, 19"	43	321-733	1	
4	321-737	1	M8	44	311-738	1	
5	949-558	1		45	930-039	1	
6	308-541	1		46	311-741	1	
7	308-543	1		47	321-739	1	
8	980-866	1		48	303-694	2	D4x35
9	629-T12	1	629T12DCC3PS2-L	49	938-307	1	D4x20
10	957-754	1		50	301-653	1	
11	321-734	1		51	999-088	1	
12	360-603C	1	110V	51	999-076	1	
12	360-603U	1	120V	52	317-810	2	
12	360-603E	1	230V - 240V	53	308-536	2	
13	321-732	1		54	321-738	1	
14	982-021	2	D4x70	55	311-739	1	D4x16
15	340-551C	1	110V	56	984-750	3	
15	2 340-551D	1	120V	57	980-063	1	
15	3 340-551E	1	230V	58	981-373	2	GBR (110V)
15	4 340-551F	1	240V	59	960-266	1	
16	311-737	1	GBR (110V)	60	953-327	1	D8.8
17	1 315-877	1		61	_____	1	
17	2 311-435	1	GBR (110V)	62	983-595	1	
18	608-VVM	1	608VV/C2PS2L	63	308-554	1	
19	301-943	1		64	308-557	1	"N.ZL RU, AUS, GBR, FRA, BEL"
20	301-736	1		64	2 308-558	1	
21	991-207	3	M4x8	65	301-631	1	3x3x15
22	936-680	1		66	982-696	1	
23	620-1DD	1	6201DDCMP52L	67	1 308-555	1	
24	308-546	1		67	2 308-556	1	"N.ZL RU, AUS, GBR, FRA, BEL"
25	308-545	1		501	938-332Z	1	
26	307-046	4	M5x16	502	994-322	1	
27	944-109	1	3x3x8				
28	994-301	1					
29	311-492	1					
30	311-744	1					
31	311-743	1	M5x25				
32	880-734	1					
33	311-491	1					
34	874-759	1					
35	311-742	1	"29 - 34"				
36	937-817Z	1					
37	316-822	1	125MM A36Q				
38	994-324	1	M14				
39	321-735	1	"6, 20"				
40	_____	1					





 **Hitachi Koki Co., Ltd.**

810  
Code No. C99119441 M  
Printed in Malaysia