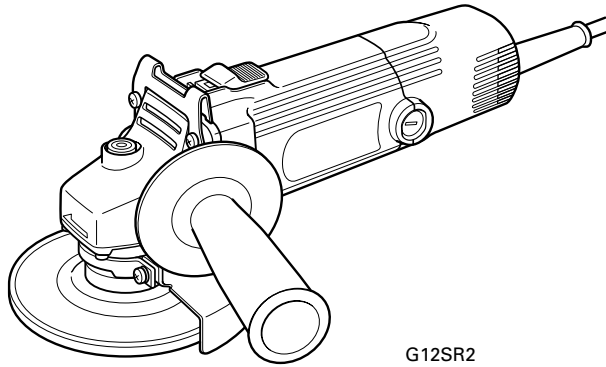


HITACHI

Disc Grinder
Winkelschleifer
Meuleuse
Smerigliatrice angolare
Haakse slijpmachine
Amoladora angular
Rebarbadora
Γωυιακοι τροχοι λειουσεωζ/κοπηζ

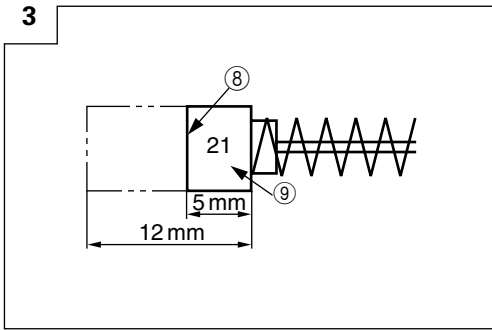
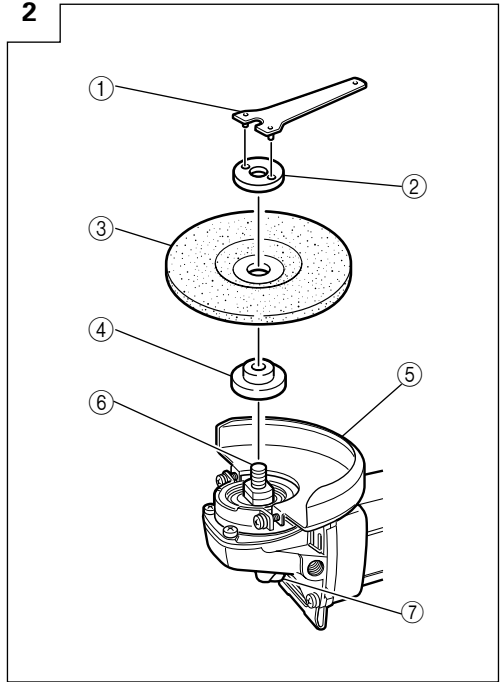
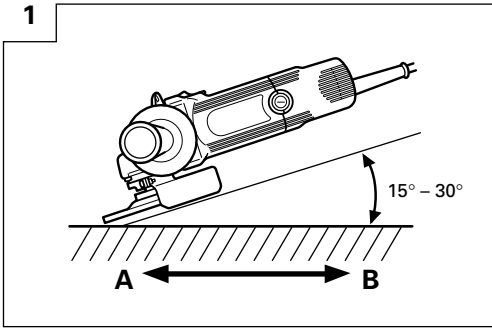
G 10SR2 • G 12SR2 • G 13SR2



Read through carefully and understand these instructions before use.
Diese Anleitung vor Benutzung des Werkzeugs sorgfältig durchlesen und verstehen.
Lire soigneusement et bien assimiler ces instructions avant usage.
Prima dell'uso leggere attentamente e comprendere queste istruzioni.
Deze gebruiksaanwijzing s.v.p. voor gebruik zorgvuldig doorlezen.
Leer cuidadosamente y comprender estas instrucciones antes del uso.
Antes de usar, leia com cuidado para assimilar estas instruções.
Διαβάστε προσεκτικά και κατανοήστε αυτές τις οδηγίες πριν τη χρήση.







Handling instructions
Bedienungsanleitung
Mode d'emploi
Istruzioni per l'uso
Gebruiksaanwijzing
Instrucciones de manejo
Instruções de uso
Οδηγίες χειρισμού



	English	Deutsch	Français	Italiano
①	Wrench	Schlüssel	Clef	Chiave
②	Wheel nut	Mutter für die Schleifscheibe	Ecrou de la meule	Dado ad anello
③	Depressed center wheel	Schleifscheibe	Meule	Mola
④	Wheel washer	Unterlegscheibe	Rondelle de la meule	Rondella "grover"
⑤	Wheel guard	Schutzhaube	Couvre-meule	Carter della mola
⑥	Spindle	Spindel	Arbre	Asse
⑦	Push button	Druckknopf	Bouton-poussoir	Tasto di blocco dell'asse
⑧	Wear limit	Verschleißgrenze	Limite d'usure	Limite di usura
⑨	No. of carbon brush	Nr. der Kohlebürste	No. du balai en carbone	N. della spazzola di carbone

	Nederlands	Español	Português	Ελληνικά
①	Sleutel	Llave para tuercas	Chave inglesa	Κλειδί
②	Moer voor de schuurschijf	Contratuercas molar	Arruela de roda	Παξιμάδι τροχού
③	Schuurschijf	Muela de alisado	Esmeril	Χαμηλωμένος κεντρικά τροχός
④	Onderlegschijf	Arandela molar	Porca de roda	Ροδέλλα τροχού
⑤	Beschermkap	Cubierta protectora de muela	Proteção de roda	Προφυλακτήρας τροχού
⑥	As	Eje	Eixo	Άξονας
⑦	Druckknop	Botón pulsador	Botão de pressão	Κουμπί ώθησης
⑧	Slijtagegrens	Límite de uso	Limite de desgaste	Όριο φθοράς
⑨	Nr. van de koolborstel	No. de carbón de contacto	Nº de escova de carvão	Αρ. Καρβουνακίων

	<p>Symbols The following show symbols used for the machine. Be sure that you understand their meaning before use.</p>	<p>Symbole Die folgenden Symbole werden für diese Maschine verwendet. Achten Sie darauf, diese vor der Verwendung zu verstehen.</p>	<p>Symboles Les symboles suivants sont utilisés pour l'outil. Bien se familiariser avec leur signification avant d'utiliser l'outil.</p>	<p>Simboli Di seguito mostriamo i simboli usati per la macchina. Assicurarsi di comprenderne il significato prima dell'uso.</p>
	Read instruction manual	Bedienungsanleitung lesen.	Lire le mode d'emploi.	Leggere il manuale di istruzioni.
	Wear safety glasses	Eine Schutzbrille tragen.	Porter des lunettes de sécurité.	Indossare occhiali di sicurezza.
	<p>Symboelen Hieronder staan symbolen afgebeeld die van toepassing zijn op deze machine. U moet de betekenis hiervan begrijpen voor gebruik.</p>	<p>Símbolos A continuación se muestran los símbolos usados para la máquina. Asegúrese de comprender su significado antes del uso.</p>	<p>Símbolos A seguir aparecem os símbolos utilizados pela máquina. Assimile bem seus significados antes do uso.</p>	<p>Σύμβολα Τα παρακάτω δείχνουν τα σύμβολα που χρησιμοποιούνται στο μηχάνημα. Βεβαιωθείτε ότι κατανοείτε τη σημασία τους πριν τη χρήση.</p>
	Lees de handleiding.	Lea el manual de instrucciones.	Leia o manual de instruções	Διαβάστε το εγχειρίδιο οδηγιών.
	Draag een veiligheidsbril.	Use gafas de seguridad.	Utilize óculos de segurança	Φοράτε γυαλιά ασφαλείας.

GENERAL OPERATIONAL PRECAUTIONS

WARNING! When using electric tools, basic safety precautions should always be followed to reduce the risk of fire, electric shock and personal injury, including the following.

Read all these instructions before operating this product and save these instructions.

For safe operations:

1. Keep work area clean. Cluttered areas and benches invite injuries.
2. Consider work area environment. Do not expose power tools to rain. Do not use power tools in damp or wet locations. Keep work area well lit. Do not use power tools where there is risk to cause fire or explosion.
3. Guard against electric shock. Avoid body contact with earthed or grounded surfaces. (e.g. pipes, radiators, ranges, refrigerators).
4. Keep children and infirm persons away. Do not let visitors touch the tool or extension cord. All visitors should be kept away from work area.
5. Store idle tools. When not in use, tools should be stored in a dry, high or locked up place, out of reach of children and infirm persons.
6. Do not force the tool. It will do the job better and safer at the rate for which it was intended.
7. Use the right tool. Do not force small tools or attachments to do the job of a heavy duty tool. Do not use tools for purposes not intended; for example, do not use circular saw to cut tree limbs or logs.
8. Dress properly. Do not wear loose clothing or jewelry, they can be caught in moving parts. Rubber gloves and non-skid footwear are recommended when working outdoors. Wear protecting hair covering to contain long hair.
9. Use eye protection. Also use face or dust mask if the cutting operation is dusty.
10. Connect dust extraction equipment.
If devices are provided for the connection of dust extraction and collection facilities ensure these are connected and properly used.
11. Do not abuse the cord. Never carry the tool by the cord or yank it to disconnect it from the receptacle. Keep the cord away from heat, oil and sharp edges.
12. Secure work. Use clamps or a vise to hold the work. It is safer than using your hand and it frees both hands to operate tool.
13. Do not overreach. Keep proper footing and balance at all times.
14. Maintain tools with care. Keep cutting tools sharp and clean for better and safer performance. Follow instructions for lubrication and changing accessories. Inspect tool cords periodically and if damaged, have it repaired by authorized service center. Inspect extension cords periodically and replace, if damaged. Keep handles dry, clean, and free from oil and grease.
15. Disconnect tools. When not in use, before servicing, and when changing accessories such as blades, bits and cutters.

16. Remove adjusting keys and wrenches. Form the habit of checking to see that keys and adjusting wrenches are removed from the tool before turning it on.
17. Avoid unintentional starting. Do not carry a plugged-in tool with a finger on the switch. Ensure switch is off when plugging in.
18. Use outdoor extension leads. When tool is used outdoors, use only extension cords intended for outdoor use.
19. Stay alert. Watch what you are doing. Use common sense. Do not operate tool when you are tired.
20. Check damaged parts. Before further use of the tool, a guard or other part that is damaged should be carefully checked to determine that it will operate properly and perform its intended function. Check for alignment of moving parts, free running of moving parts, breakage of parts, mounting and any other conditions that may affect its operation. A guard or other part that is damaged should be properly repaired or replaced by an authorized service center unless otherwise indicated in this handling instructions. Have defective switches replaced by an authorized service center. Do not use the tool if the switch does not turn it on and off.
21. Warning
The use of any accessory or attachment, other than those recommended in this handling instructions, may present a risk of personal injury.
22. Have your tool repaired by a qualified person. This electric tool is in accordance with the relevant safety requirements. Repairs should only be carried out by qualified persons using original spare parts. Otherwise this may result in considerable danger to the user.

PRECAUTIONS ON USING DISC GRINDER

1. Never operate these power tools without Wheel Guards.
2. Check that speed marked on the wheel is equal to or greater than the rated speed of the grinder. Use only depressed center wheels rated at 80m/s (72m/s only for 100 mm disc grinders) or more.
3. Ensure that the wheel dimensions are compatible with the grinder and that the wheel fits the spindle.
4. Abrasive wheels shall be stored and handled with care in accordance with manufacturer's instructions.
5. Inspect the depressed center wheel before use, do not use chipped, cracked or otherwise defective products.
6. Always hold the body handle and side handle of the power tool firmly. Otherwise the counterforce produced may result in inaccurate and even dangerous operation.
7. Do not use cutting-off wheels for side grinding.
8. Do not use of separate reducing bushings or adapters to adapt large hole abrasive wheels.
9. The wheel continues to rotate after the tool is switched off.

SPECIFICATIONS

Model	G10SR2	G12SR2	G13SR2
Voltage (by areas)*	(110V, 120V, 220V, 230V, 240V) \sim		
Power Input*	650 W		
No-load speed	11000 min ⁻¹		10000 min ⁻¹
Wheel	Outer dia. x hole dia.	100 x 16 mm	115 x 22 mm
	Peripheral speed	72 m/s	80 m/s
Weight (Only main body)	1.4 kg		

*Be sure to check the nameplate on product as it is subject to change by areas.

STANDARD ACCESSORIES

- (1) Wrench 1
 (2) Side handle 1
 Standard accessories are subject to change without notice.

APPLICATIONS

- Removal of casting fin and finishing of various types of steel, bronze and aluminum materials and castings.
- Grinding of welded sections or sections cut by means of a cutting torch.
- Grinding of synthetic resins, slate, brick, marble, etc.

PRIOR TO OPERATION

1. Power source

Ensure that the power source to be utilized conforms to the power requirements specified on the product nameplate.

2. Power switch

Ensure that the power switch is in the OFF position. If the plug is connected to a receptacle while the power switch is in the ON position, the power tool will start operating immediately, which could cause a serious accident.

3. Extension cord

When the work area is removed from the power source, use an extension cord of sufficient thickness and rated capacity. The extension cord should be kept as short as practicable.

4. Fitting and adjusting the wheel guard

The wheel guard is a protective device to prevent injury should the depressed center wheel shatter during operation. Ensure that the guard is properly fitted and fastened before commencing grinding operation.

By slightly loosening the setting screw, the wheel guard can be turned and set at any desired angle for maximum operational effectiveness. Ensure that the setting screw is thoroughly tightened after adjusting the wheel guard.

5. Ensure that mounted wheels and points are fitted in accordance with the manufacturer's instructions. Ensure that the depressed center wheel to be utilized is the correct type and free of cracks or surface defects. Also ensure that the depressed center wheel is properly mounted and the wheel nut is securely

tightened, Refer to the section on "Depressed Center Wheel Assembly"

Ensure that blotters are used when they are provided with the bonded abrasive product and when they are required.

Do not use separate reducing bushings or adaptors to adapt large hole abrasive wheels.

For tools intended to be fitted with threaded hole wheel, ensure that the thread in the wheel is long enough to accept the spindle length.

Do not use cutting off wheel for side grinding.

6. Conducting a trial run

Ensure that the abrasive products is correctly mounted and tightened before use and run the tool at no-load for 30 seconds in a safe position, stop immediately if there is considerable vibration or if other defects are detected.

If this condition occurs, check the machine to determine the cause.

7. Confirm the push button.

Confirm that the push button is disengaged by pushing push button two or three times before switching the power tool on (See Fig. 2).

8. Fixing the side handle

Screw the side handle into the gear cover.

PRACTICAL GRINDER APPLICATION

1. Pressure

To prolong the life of the machine and ensure a first class finish, it is important that the machine should not be overloaded by applying too much pressure. In most applications, the weight of the machine alone is sufficient for effective grinding. Too much pressure will result in reduced rotational speed, inferior surface finish, and overloading which could reduce the life of the machine.

2. Grinding angle

Do not apply the entire surface of the depressed center wheel to the material to be ground. As shown in Fig. 1, the machine should be held at an angle of 15° - 30° so that the external edge of the depressed center wheel contacts the material at an optimum angle.

3. To prevent a new depressed center wheel from digging into the workpiece, initial grinding should be performed by drawing the grinder across the workpiece toward the operator (Fig. 1 direction B). Once the leading edge of the depressed center

wheel is properly abraded, grinding may be conducted in either direction.

4. Precautions immediately after finishing operation

The wheel continues to rotate after the tool is switched off. After switching off the machine, do not put it down until the depressed center wheel has come to a complete stop. Apart from avoiding serious accidents, this precaution will reduce the amount of dust and swarf sucked into the machine.

CAUTIONS

- Check that the work piece is properly supported.
- Ensure that ventilation openings are kept clear when working in dusty conditions.
If it should become necessary to clear dust, first disconnect the tool from the mains supply (use non-metallic objects) and avoid damaging internal parts.
- Ensure that sparks resulting from use do not create a hazard e.g. do not hit persons, or ignite flammable substances.
- Always use protective safety glasses and hearing protectors, use other personal protective equipment such as gloves, apron and helmet when necessary.
- Always use eye and ear protection.
Other personal protective equipment such as dust mask, gloves, helmet and apron should be worn when necessary.
If in doubt, wear the protective equipment.
- When the machine is not use, the power source should be disconnected.

ASSEMBLING AND DISASSEMBLING THE DEPRESSED CENTER WHEEL (Fig. 2)

CAUTION Be sure to switch OFF and disconnect the attachment plug from the receptacle to avoid a serious accident.

1. Assembling (Fig. 2)

- (1) Turn the disc grinder upsidedown so that the spindle is facing upward.
- (2) Align the across flats of the wheel washer with the notched part of the spindle, then attach them.
- (3) Fit the protuberance of the depressed center wheel onto the wheel washer.
- (4) Screw the wheel nut onto the spindle.
- (5) While pushing the push button with one hand, lock the spindle by turning the depressed center wheel slowly with the other hand.

Tighten the wheel nut by using the supplied wrench as shown in Fig. 2.

2. Disassembling

Follow the above procedures in reverse.

CAUTIONS

- Confirm that the depressed center wheel is mounted firmly.
- Confirm that the push button is disengaged by pushing push button two or three times before switching the power tool on.

MAINTENANCE AND INSPECTION

1. Inspecting the depressed center wheel

Ensure that the depressed center wheel is free of cracks and surface defects.

2. Inspecting the mounting screws

Regularly inspect all mounting screws and ensure that they are properly tightened. Should any of the screws be loose, retighten them immediately. Failure to do so could result in serious hazard.

3. Inspecting the carbon brushes (Fig. 3)

The motor employs carbon brushes which are consumable parts. Since an excessively worn carbon brush can result in motor trouble, replace the carbon brushes with new ones having the same carbon brush No. shown in the figure when it becomes worn to or near the "wear limit". In addition, always keep carbon brushes clean and ensure that they slide freely within the brush holders.

4. Replacing carbon brushes:

Disassemble the brush caps with a slotted-head screwdriver. The carbon brushes can then be easily removed.

5. Maintenance of the motor

The motor unit winding is the very "heart" of the power tool. Exercise due care to ensure the winding does not become damaged and/or wet with oil or water.

6. Service parts list

CAUTION

Repair, modification and inspection of Hitachi Power Tools must be carried out by an Hitachi Authorized Service Center.

This Parts List will be helpful if presented with the tool to the Hitachi Authorized Service Center when requesting repair or other maintenance.

In the operation and maintenance of power tools, the safety regulations and standards prescribed in each country must be observed.

MODIFICATIONS

Hitachi Power Tools are constantly being improved and modified to incorporate the latest technological advancements.

Accordingly, some parts may be changed without prior notice.

NOTE

Due to HITACHI's continuing program of research and development, the specifications herein are subject to change without prior notice.

IMPORTANT

Correct connection of the plug

The wires of the main lead are coloured in accordance with the following code:

Blue: -Neutral

Brown: -Live

As the colours of the wires in the main lead of this tool may not correspond with the coloured markings identifying the terminals in your plug proceed as follows: The wire coloured blue must be connected to the terminal marked with the letter N or coloured black. The wire coloured brown must be connected to the terminal marked with the letter L or coloured red. Neither core must be connected to the earth terminal.

NOTE

This requirement is provided according to BRITISH STANDARD 2769: 1984.

Therefore, the letter code and colour code may not be applicable to other markets except The United Kingdom.

Information concerning airborne noise and vibration

The measured values were determined according to EN50144.

The typical A-weighted sound pressure level: 88 dB (A)

The typical A-weighted sound power level: 101 dB (A)

Wear ear protection.

The typical weighted root mean square acceleration value does not exceed 2.5 m/s².

ALLGEMEINE VORSICHTSMASSNAHMEN

WARNUNG! Bei der Verwendung von Elektrowerkzeugen müssen immer die grundlegenden Vorsichtsmaßnahmen befolgt werden, um das Risiko von Feuer, elektrischem Schlag und persönlicher Verletzung und den nachfolgenden Punkten zu vermeiden. Lesen Sie diese Anweisungen völlig, bevor Sie dieses Erzeugnis verwenden, und bewahren Sie diese Anweisungen auf.

Für sicheren Betrieb:

1. Der Arbeitsplatz sollte sauber gehalten werden. Unaufgeräumte Arbeitsplätze und Werkbänke erhöhen die Unfallgefahr.
2. Die Betriebsbedingungen beachten. Elektrowerkzeuge sollten nicht dem Regen ausgesetzt werden. Ebenfalls sollten Sie nicht an feuchten oder nassen Plätzen gebraucht werden. Der Arbeitsplatz sollte gut beleuchtet sein. Verwenden Sie Elektrowerkzeuge nicht an Orten, an denen die Gefahr von Feuer oder Explosion besteht.
3. Schutzmaßnahmen gegen elektrische Schläge treffen. Darauf achten, daß das Gehäuse nicht in Kontakt mit geerdeten Flächen kommt, z. (z.B. Rohre, Radiatoren, Elektroherde, Kühlschränke).
4. Kinder und gebrechliche Personen sollten vom Gerät ferngehalten werden. Andere Personen nicht mit dem Werkzeug oder dem Verlängerungskabel in Kontakt kommen lassen.
5. Nicht benutzte Werkzeuge sollten sicher aufbewahrt werden. Sie sollten an einem trockenen und hochgelegenen oder verschließbaren Ort aufbewahrt werden, außerhalb der Reichweite von Kindern und gebrechlichen Personen.
6. Werkzeuge sollten nicht mit übermäßiger Gewalt verwendet werden. Ihre Leistung ist besser und sicherer, wenn sie mit der vorgeschriebenen Geschwindigkeit verwendet werden.
7. Nur die korrekten Werkzeuge verwenden. Niemals ein kleineres Werkzeug oder Zusatzgerät für Arbeiten verwenden, die Hochleistungsgeräte erfordern. Nur Werkzeuge verwenden, die dem Verwendungszweck entsprechen, d.h. niemals eine Kreissäge zum Sägen von Ästen oder Baumstämmen verwenden.
8. Die richtige Kleidung tragen. Keine lose Kleidung oder Schmuck tragen, da sich lose Kleidungsstücke in den bewegenden Teilen verfangen können. Bei Arbeiten im Freien sollten Gummihandschuhe und rutschfeste Schuhe getragen werden.
9. Es sollte eine Sicherheitsbrille getragen werden. Bei Arbeiten mit Staubbentwicklung sollte eine Gesicht oder Staubmaske getragen werden.
10. Schließen Sie eine Staubabsaugvorrichtung an. Wenn Vorrichtungen für den Anschluß von Staubabsaug- und -sammelvorrichtungen vorhanden sind, so stellen Sie sicher, daß diese angeschlossen sind und richtig verwendet werden.
11. Niemals das Kabel mißbrauchen. Ein Werkzeug niemals am Kabel tragen oder bei Abtrennung von der Steckdose das Kabel herausreißen. Das Kabel sollte gegen Hitze, Öl und scharfe Kanten geschützt werden.
12. Den Arbeitsplatz gut absichern. Zwingen oder einen Schraubstock zur Befestigung des Werkstücks verwenden. Das ist sicherer als die Benutzung der Hände und macht beide Hände zur Bedienung des Werkzeugs frei.
13. Sich niemals weit überbeugen. Immer einen festen Stand und ein sicheres Gleichgewicht bewahren.
14. Die Werkzeuge sollten sorgfältig behandelt werden. Für einen einwandfreien und sicheren Betrieb sollten sie stets scharf sein und saubergehalten werden. Die Anleitungen für Schmierung und Austausch des Zuehørs unbedingt einhalten. Die Kabel der Geräte regelmäßig überprüfen und bei Beschädigung durch eine autorisierte Kundendienststelle reparieren lassen. Ebenfalls die Verlängerungskabel regelmäßig überprüfen und bei Beschädigung auswechseln. Die Handgriffe sollten stets trocken und sauber sein, sowie keine Öl- oder Schmierfett stellen aufweisen.
15. Werkzeuge vom Netz trennen, wenn sie nicht benutzt werden, vor Wartungsarbeiten und beim Austausch von Zubehörteilen wie z.B. Blätter, Bohrer und Messer.
16. Alle Stellkeile und Schraubenschlüssel entfernen. Vor Einschaltung des Gerätes darauf achten, daß alle Stellkeile und Schraubenschlüssel entfernt worden sind.
17. Ein unbeabsichtigtes Einschalten sollte vermieden werden. Niemals ein angeschlossenes Werkzeug mit dem Finger am Schalter tragen. Vor Anschluß überprüfen, ob das Gerät ausgeschaltet ist.
18. Im Freien ein Verlängerungskabel verwenden. Nur ein Verlängerungskabel verwenden, das für die Verwendung im Freien markiert ist.
19. Den Arbeitsvorgang immer unter Kontrolle haben. Das Gerät niemals in einem abgespannten Zustand verwenden.
20. Beschädigte Teile überprüfen. Vor Benutzung des Werkzeugs sollten beschädigte Teile oder Schutzvorrichtungen sorgfältig überprüft werden, um festzustellen, ob sie einwandfrei funktionieren und die vorgesehene Funktion erfüllen, Ausrichtung, Verbindungen sowie Anbringung sich bewegender Teile überprüfen. Ebenfalls überprüfen, ob Teile gebrochen sind. Teile oder Schutzvorrichtungen, die beschädigt sind, sollten, wenn in dieser Bedienungsanleitung nichts anderes erwähnt ist, durch eine autorisierte Kundendienststelle ausgetauscht oder repariert werden. Dasselbe gilt für defekte Schalter. Wenn sich das Werkzeug nicht mit dem Schalter einoder ausschalten läßt, sollte das Werkzeug nicht verwendet werden.
21. Warnung
Die Verwendung von anderem Zubehör oder anderen Zusätzen als in dieser Bedienungsanleitung empfohlen kann das Risiko einer Körperverletzung einschließen.
22. Lassen Sie Ihr Werkzeug durch qualifiziertes Personal reparieren. Dieses Elektrowerkzeug entspricht den zutreffenden Sicherheitsanforderungen. Reparaturen sollten nur von qualifiziertem Personal unter Verwendung von Originalersatzteilen durchgeführt werden, da sonst beträchtliche Gefahr für den Benutzer auftreten kann.

VORSICHTSMASSNAHMEN BEI DER BENUTZUNG DES WINKELSCHLEIFERS

1. Diese Werkzeuge nie ohne Schutzhaube benutzen.
2. Überprüfen Sie, daß die auf der Schleifscheibe angegebene Drehzahl mindestens gleich der Nenn Drehzahl des Schleifers ist.
Nur Schleifscheiben mit vertieftem Mittelteil und einer zulässigen Schleifgeschwindigkeit von 80 m/s oder mehr verwenden (72 m/s nur für Winkelschleifer mit einem Durchmesser von 100 mm).
3. Stellen Sie sicher, daß die Abmessungen der Schleifscheibe angemessen für den Schleifer sind und daß die Schleifscheibe auf die Spindel paßt.
4. Schleifscheiben müssen vorsichtig und entsprechend den Anweisungen des Herstellers gelagert und gehandhabt werden.
5. Inspizieren Sie die Schleifscheibe vor der Verwendung und verwenden Sie keine abgesplitterte, gesprungene oder auf andere Weise defekte Schleifscheibe.
6. Immer den Körper-Handgriff und den Seiten-Handgriff des Elektrowerkzeugs festhalten, weil sonst die entstehende Gegenkraft zu einem ungenauen und sogar gefährlichen Arbeiten führen kann.
7. Trennscheiben nicht zum Seitenschleifen verwenden.
8. Keine separaten Reduzierbuchsen oder Adapter verwenden, um Schleifscheiben mit einem größeren Lochdurchmesser verwenden zu können.
9. Die Schleifscheibe dreht sich auch nach dem Ausschalten des Werkzeugs weiter.

TECHNISCHE DATEN

Modell	G10SR2	G12SR2	G13SR2	
Spannung (je nach Gebiet)*	(110V, 120V, 220V, 230V, 240V) ~			
Leistungsaufnahme*	650 W			
Leerlaufdrehzahl	11000 min ⁻¹		10000 min ⁻¹	
Schleif- scheibe	Außendurchmesser × Lochdurchmesser	100 × 16 mm	115 × 22 mm	125 × 22 mm
	Umlaufgeschwindigkeit	72 m/s	80 m/s	
Gewicht (Gerät selbst.)	1,4 kg			

*Vergessen Sie nicht, die Produktangaben auf dem Typenschild zu überprüfen, da sich diese je nach Verkaufsgebiet ändern.

STANDARDZUBEHÖR

- (1) Schlüssel 1
 - (2) Handgriff 1
- Das Standardzubehör kann ohne vorherige Bekanntmachung jederzeit geändert werden.

ANWENDUNGSGEBIETE

- Entfernung von Gußgrat und Endbearbeitung verschiedener Stahlqualitäten, Bronze- und Aluminiummaterialien und Gußteile.
- Schleifen von geschweißten Stücken oder von durch Brennschneiden hergestellten Abschnitten.
- Schleifen von Kunstharz, Schiefer, Ziegelstein, Marmor, usw.

VOR INBETRIEBNAHME

1. **Netzspannung**
Prüfen, daß die zu verwendende Netzspannung der Angabe auf dem Typenschild entspricht.
2. **Netzschalter**
Prüfen, daß der Netzschalter auf "AUS" steht. Wenn der Stecker an das Netz angeschlossen wird, während der Schalter auf "EIN" steht, beginnt das Werkzeug sofort zu laufen, was gefährlich ist.
3. **Verlängerungskabel**
Wenn der Arbeitsbereich nicht in der Nähe des Netzanschlusses liegt, ist ein Verlängerungskabel ausreichenden Querschnitts und ausreichender

Nennleistung zu verwenden. Das Verlängerungskabel sollte so kurz wie möglich gehalten werden.

4. **Anbringen und Einstellen der Schutzhaube**
Die Schutzhaube ist eine Schutzvorrichtung, durch die Schaden verhindert werden soll, wenn die Schleifscheibe während des Betriebs zerbrechen sollte. Es ist darauf zu achten, daß die Haube ordnungsgemäß angebracht und befestigt ist, ehe mit der Schleifarbeit begonnen wird.
Durch geringfügiges Lockern der Arretierschraube kann die Schutzhaube gedreht und in jedem gewünschten Winkel zur Erzielung maximaler Leistung eingestellt werden. Es ist sicherzustellen, daß die Arretierschraube nach dem Einstellen der Schutzhaube ordnungsgemäß angezogen wird.
5. Stellen Sie sicher, daß die angebrachte Schleifscheibe und die anderen Teile entsprechend den Anweisungen des Herstellers angebracht sind. Es ist weiter darauf zu achten, daß die zu verwendende Schleifscheibe die richtige Ausführung und ohne Risse und Oberflächenfehler ist. Es ist auch darauf zu achten, daß die Schleifscheibe richtig montiert und die Mutter der Schleifscheibe fest angezogen ist. Siehe Abschnitt "Anbringen der Schleifscheibe".
Stellen Sie sicher, daß Beilegscheiben verwendet werden, wenn diese mit Schleifscheiben aus gebundenem Schleifmittel mitgeliefert werden und erforderlich sind.
Verwenden Sie keine separaten Reduzierbuchsen oder Adapter zum Anpassen von Schleifscheiben mit einem großen Loch.

Stellen Sie für Werkzeuge für Verwendung mit einer Schleifscheibe mit Gewindeloch sicher, daß das Gewinde in der Schleifscheibe lang genug ist, um die Spindellänge aufzunehmen.

Verwenden Sie eine Trennscheibe nicht zum Seitenschleifen.

6. Durchführung eines Probelaufs

Stellen Sie vor der Verwendung sicher, daß das Schleiferzeugnis korrekt angebracht und fest angezogen ist, und lassen Sie das Werkzeug ohne Last 30 Sekunden an einer sicheren Position laufen. Halten Sie das Werkzeug sofort an, wenn beträchtliche Vibrationen auftreten oder Defekte festgestellt werden. Wenn ein solcher Zustand eintritt, so überprüfen Sie die Maschine, um die Ursache zu finden.

7. Überprüfen der Druckknopf:

Es ist zu überprüfen, ob die Druckknopf freigegeben ist, indem zwei- oder dreimal vor Einschalten des Gerätes auf die Druckknopf gedrückt wird (siehe **Abb. 2**).

8. Anbringen des Handgriffs

Den Handgriff in den Getriebedeckel einschrauben.

Wenn Beseitigung von Staub erforderlich werden sollte, so ziehen Sie zuerst den Stecker des Netzkabels aus der Steckdose (verwenden Sie nichtmetallische Gegenstände) und vermeiden Sie Beschädigung innerer Teile.

- Stellen Sie sicher, daß bei der Verwendung auftretende Funken keine Gefährdung darstellen, d.h. daß sie keine Personen treffen und keine entflammaren Substanzen entzünden.
- Tragen Sie immer eine Schutzbrille und Gehörschutz, und verwenden Sie sonstige persönliche Schutzausrüstung wie Handschuhe, eine Schürze und einen Helm, wenn erforderlich.
- Verwenden Sie immer Augen- und Ohrenschutz. Sonstige persönliche Schutzausrüstung wie eine Staubmaske, Handschuhe, ein Helm und eine Schürze sollte getragen werden, wenn sie erforderlich ist.
- Tragen Sie im Zweifelsfall Schutzausrüstung.
- Wenn die Maschine nicht benutzt wird, sollte der Netzstecker gezogen werden.

ANBRINGEN UND ABNEHMEN DER SCHLEIFSCHLEIBE (Abb. 2)

VORSICHT Immer den Betriebsschalter auf "Aus" stellen und den Netzstecker aus der Steckdose ziehen, um Unfälle zu vermeiden.

1. Anbringen (Abb. 2)

- (1) Legen Sie den Winkelschleifer mit der Oberseite nach unten hin, so dass die Spindel nach oben zeigt.
- (2) Die Beilegscheibe mit den Flachseiten auf die Einkerbungen der Spindel ausgerichtet anbringen.
- (3) Den Vorsprung der Schleifscheibe in die Beilegscheibe einpassen.
- (4) Die Schleifscheibenmutter auf die Spindel schrauben.
- (5) Den Druckknopf mit einer Hand drücken und die Spindel durch langsames Drehen der Schleifscheibe mit der anderen Hand verriegeln. Die Schleifscheibenmutter mit dem mitgelieferten Schlüssel wie in **Abb. 2** gezeigt anziehen.

2. Abnehmen

Beim Abnehmen wird in umgekehrter Reihenfolge vorgegangen.

VORSICHT

- Prüfen, ob die Schleifscheibe fest angezogen ist.
- Es ist zu überprüfen, ob die Druckknopf freigegeben ist, indem zwei- oder dreimal vor Einschalten des Gerätes auf die Druckknopf gedrückt wird.

WARTUNG UND INSPEKTION

1. Überprüfung der Schleifscheibe

Es ist darauf zu achten, daß die Schleifscheibe ohne Risse und Fehler an der Oberfläche ist.

2. Inspektion der Befestigungsschrauben

Alle Befestigungsschrauben werden regelmäßig inspiziert und geprüft, ob sie gut angezogen sind. Wenn sich eine der Schrauben lockert, muß sie sofort wieder angezogen werden. Geschieht das nicht, kann das zu erheblichen Gefahren führen.

3. Inspektion der Kohlebürsten (Abb. 3)

Im Motor sind Kohlebürsten verwendet, die

PRAKTISCHE SCHLEIFARBEIT

1. Druck

Zur Verlängerung der Lebensdauer Maschine und für erstklassige Arbeit ist es wichtig, daß die Maschine nicht durch zu starken Druck überbelastet wird. Bei den meisten Anwendungen reicht das Gewicht der Maschine für effektives Schleifen aus. Zu starker Druck führt zu verminderter Drehzahl, unbefriedigendem Oberflächenaussehen und einer Überbelastung, die die Lebensdauer der Maschine vermindern könnte.

2. Schleifwinkel

Nicht die gesamte Fläche der Schleifscheibe auf das zu schleifende Material auflegen. Die Maschine sollte, wie in **Abb. 1** dargestellt ist, in einem Winkel von 15° – 30° gehalten werden, so dadie Außenkante der Schleifscheibe das Werkstück in einem optimalen Winkel berührt.

3. Damit sich eine neue Schleifscheibe nicht in das Werkstück hineingräbt, sollte zu Anfang die Schleifarbeit so durchgeführt werden, daß der Winkelschleifer über das Werkstück zum Bedienungsmanng gezogen wird (**Abb. 1 Richtung B**). Wenn die Vorderkante der Schleifscheibe entsprechend abgeschliffen ist, kann das Schleifen in beiden Richtungen durchgeführt werden.

4. Vorsichtsmaßnahmen unmittelbar nach Beendigung der Arbeit

Die Schleifscheibe dreht sich auch nach dem Ausschalten des Werkzeugs noch weiter.

Nach dem Ausschalten darf die Maschine erst abgelegt werden, wenn die Schleifscheibe völlig zum Stillstand gekommen ist. Abgesehen vom Vermeiden ernsthafter Unfälle wird durch diese Vorsichtsma ßnahme vermieden, daß Staub und Späne in die Maschine gesaugt werden.

ACHTUNG

- Überprüfen Sie, daß das Werkstück richtig unterstützt ist.
- Überprüfen Sie bei Arbeit an einem staubigen Ort, daß die Ventilationsöffnungen freigehalten werden.

Verbrauchsteile sind. Übermäßig abgenutzte Kohlenbürsten führen zu Motor, problemen.

Deshalb wird eine Kohlebürste durch eine neue ersetzt, die dieselbe Nummer trägt wie auf der Abbildung gezeigt, wenn sie teilweise oder ganz verbraucht ist. Darüber hinaus müssen die Kohlebürsten immer sauber gehalten werden und müssen sich in der Halterung frei bewegen können.

4. Austausch einer Kohlebürste:

Der Bürstendeckel wird mit einem Steckschlüssel abmontiert. Dann kann die Kohlebürste leicht entfernt werden.

5. Wartung des Motors

Die Motorwicklung ist das "Herz" des Elektrowerkzeugs. Daher ist besonders sorgfältig darauf zu achten, daß die Wicklung nicht beschädigt wird und/oder mit Öl oder Wasser in Berührung kommt.

6. Liste der Wartungsteile

ACHTUNG

Reparatur, Modifikation und Inspektion von Hitachi-Elektrowerkzeugen müssen durch ein autorisiertes Hitachi-Kundendienstzentrum durchgeführt werden. Diese Teileliste ist hilfreich, wenn sie dem autorisierten Hitachi-Kundendienstzentrum zusammen mit dem Werkzeug für Reparatur oder Wartung ausgehändigt wird.

Bei Betrieb und Wartung von Elektrowerkzeugen müssen die Sicherheitsvorschriften und Normen beachtet werden.

MODIFIKATIONEN

Hitachi-Elektrowerkzeuge werden fortwährend verbessert und modifiziert, um die neuesten technischen Fortschritte einzubauen.

Dementsprechend ist es möglich, daß einige Teile ohne vorherige Benachrichtigung geändert werden.

ANMERKUNG

Aufgrund des ständigen Forschungs- und Entwicklungsprogramms von HITACHI sind Änderungen der hierin gemachten technischen Angaben nicht ausgeschlossen.

Information über Betriebslärm und Vibration

Die Meßwerte wurden entsprechend EN50144 bestimmt.

Der typische A-gewichtete Schalldruck: 88 dB (A)

Der typische A-gewichtete Schalleistungspegel: 101 dB (A)

Bei der Arbeit immer einen Ohrenschutz tragen.

Der typische gewichtete Effektiv-Beschleunigungswert überschreitet nicht 2,5 m/s².

PRECAUTIONS GENERALES DE TRAVAIL

ATTENTION! Lors de l'utilisation d'un outillage électrique, les précautions de base doivent être respectées de manière à réduire les risques d'incendie, de secousse électrique et de blessure corporelle, y compris les précautions suivantes.

Lire ces instructions avant d'utiliser le produit et conserver ces instructions pour référence.

Pour assurer un fonctionnement sûr:

1. Maintenir l'aire de travail propre. Des ateliers ou des établis en désordre risquent de provoquer des accidents.
2. Tenir compte de l'environnement de l'aire de travail. Ne pas exposer les outils électriques à la pluie.
Ne pas les utiliser dans des endroits humides. Travailler dans un endroit bien éclairé.
Ne pas utiliser d'outillage électrique s'il existe un risque d'incendie ou d'explosion.
3. Protection contre une décharge électrique. Eviter tout contact corporel avec des surfaces de mise à la terre telles que les tuyaux, radiateurs, cuisinières et réfrigérateurs.
4. Tenir les enfants et les personnes infirmes éloignés. Ne pas laisser les visiteurs toucher l'outil ni son cordon d'alimentation. Il est préférable de tenir les visiteurs et les personnes infirmes à l'écart de l'aire de travail.
5. Ranger les outils non utilisés. Quand on ne les utilise pas, il est recommandé de ranger les outils dans un endroit sec, verrouillé ou hors de portée des enfants et des personnes infirmes.
6. Ne pas forcer l'outil. Il fonctionnera mieux et plus sûrement à la vitesse pour laquelle il a été conçu.
7. Utiliser l'outil approprié. Ne pas essayer de faire avec un petit outil le travail prévu pour un outil plus important. Toujours utiliser l'outil adéquat; par exemple, ne pas se servir d'une scie circulaire pour couper des branches d'arbres ou des billots de bois.
8. Porter des vêtements appropriés. Ne pas mettre de vêtements flottants ou de bijoux qui risquent d'être pris dans les pièces mobiles. Si l'on travaille à l'extérieur, il est recommandé de porter des gants de caoutchouc et des chaussures à semelles antidérapantes. Veiller à s'attacher les cheveux ou à mettre un bonnet si on a les cheveux longs.
9. Porter des lunettes protectrices. Mettre un masque si l'opération de coupe crée de la poussière.
10. Relier l'équipement d'extraction de poussière. Si des dispositifs sont prévus pour le raccordement d'installations d'extraction et de collection de poussière, s'assurer qu'ils sont correctement raccordés et utilisés.
11. Prendre soin du fil. Ne jamais transporter l'outil en le tenant par le fil et ne pas le débrancher en tirant sur le fil d'un coup sec. Tenir le fil à l'abri de la chaleur, l'éloigner de l'huile ou de bords tranchants.
12. Fixer fermement la pièce à travailler. Utiliser des agrafes ou un étau pour la maintenir, C'est plus sûr que d'utiliser ses mains et cela les libère pour faire fonctionner l'outil.
13. Ne pas présumer de ses forces. Essayer de garder son équilibre en toute circonstance.
14. Entretien les outils avec soin. Les conserver bien aiguisés et les nettoyer afin d'en obtenir les meilleures performances et de pouvoir les utiliser sans danger. Suivre les instructions pour le graissage et le changement des accessoires. Vérifier régulièrement les fils et cordons et s'ils sont endommagés, les faire réparer par une personne compétente. Vérifier régulièrement les rallonges et les remplacer si elles sont endommagées. Veiller à ce que les poignées soient toujours sèches et propres, sans huile ni graisse.
15. Débrancher les outils lorsqu'on ne les utilise pas, avant toute opération d'entretien et lors du changement d'accessoire; comme par exemple quand on change les lames, les forets, le fraises, etc.
16. Retirer les clés de réglage. Prendre l'habitude de toujours vérifier que les clés de réglage sont bien retirées de l'appareil avant de le mettre en marche.
17. Eviter toute mise en marche accidentelle. Ne pas transporter l'outil branché avec un doigt sur l'interrupteur. S'assurer que l'interrupteur est sur la position d'arrêt quand on branche l'outil.
18. Utilisation de rallonges à l'extérieur. Quand on utilise l'outil à l'extérieur, ne se servir que des rallonges prévues pour l'extérieur et portant une marque distinctive.
19. Soyez vigilant. Regardez bien ce que vous faites. Faites appel à votre bon sens. N'utilisez pas l'outil quand vous êtes fatigué.
20. Vérifier les pièces endommagées. Avant d'utiliser davantage l'outil, vérifier attentivement toute pièce endommagée afin de déterminer si l'outil peut fonctionner correctement et effectuer le travail pour lequel il est prévu. Vérifier l'alignement et la flexion des pièces mobiles, la cassure des pièces, le montage et toute autre condition risquant d'affecter le bon fonctionnement de l'outil. Un protecteur ou toute autre pièce endommagée devra être correctement réparé ou remplacé par un service d'entretien autorisé, sauf autre indication dans ce mode d'emploi. Faire remplacer les interrupteurs défectueux par un service d'entretien autorisé. Ne pas utiliser l'outil si l'interrupteur ne permet pas de le mettre en marche ou de l'arrêter.
21. Précaution
L'utilisation d'un accessoire ou dispositif annexe autre que ceux conseillés dans ce mode d'emploi peut entraîner un risque de blessure corporelle.
22. Confier la réparation d'un outil à un technicien qualifié. Cet outil électrique a été conçu conformément aux règles de sécurité en usage. Les réparations doivent être effectuées par du personnel qualifié utilisant des pièces d'origine. Dans le cas contraire, l'utilisateur s'expose à des risques graves.

PRECAUTIONS D'UTILISATION DE LA MEULEUSE

1. Ne jamais faire fonctionner ces outils sans couvre-meules.
2. Vérifier que la vitesse indiquée sur la meule est égale ou supérieure à la vitesse nominale de la meuleuse.
N'utiliser que des meules à partie centrale creusée et à vitesse nominale égale ou supérieure à 80 m/s (72 m/s seulement pour les meuleuses de 100 mm).
3. Vérifier que les dimensions de la meule sont compatibles avec la meuleuse et que la meule est adaptée à la broche.

4. Les meules abrasives seront rangées et manipulées conformément aux instructions du fabricant.
5. Inspecter la meule avant l'utilisation, et ne pas utiliser de meules craquelées, fissurées ou autrement défectueuses.
6. Maintenir toujours fermement la poignée principale et la poignée latérale de la machine. Dans le cas contraire, la force de recul peut amoindrir la précision de travail et présenter ainsi quelque danger.
7. Ne pas utiliser de meules à tronçonner pour un meulage latéral.
8. Ne pas utiliser de raccords de réduction ni d'adaptateurs séparés pour adapter des meules abrasives à gros orifice.
9. La meule continue à tourner encore quelques instants quand on arrête l'outil.

SPECIFICATIONS

Modèle		G10SR2	G12SR2	G13SR2
Tension (par zone)*		(110V, 120V, 220V, 230V, 240V) ~		
Puissance*		650 W		
Vitesse hors charge		11000 min ⁻¹		10000 min ⁻¹
Meule	Diamètre extérieur x diamètre d'orifice	100 x 16 mm	115 x 22 mm	125 x 22 mm
	Vitesse périphérique	72 m/s	80 m/s	
Poids (Unité principale uniquement)		1,4 kg		

*Assurez-vous de vérifier la plaque signalétique sur le produit, car elle peut changer suivant les zones.

ACCESSOIRES STANDARD

- (1) Clef 1
 (2) Poignée latérale 1
 Les accessoires standard sont sujets à changement sans préavis.

APPLICATIONS

- Enlèvement des bavures de moulage et finition de différentes sortes de matériaux en acier, bronze ou aluminium et de moulages.
- Meulage de sections soudées ou de sections coupées par soudage.
- Meulage de résines synthétiques, d'ardoises, de briques, de marbre, etc.

AVANT LA MISE EN MARCHÉ

1. **Source de puissance**
S'assurer que la source de puissance à utiliser correspond à la puissance indiquée sur la plaque signalétique du produit.
2. **Interrupteur de puissance**
S'assurer que l'interrupteur de puissance est en position ARRÊT. Si la fiche est branchée alors que l'interrupteur est sur MARCHÉ, l'outil démarre immédiatement et peut provoquer un grave accident.
3. **Fil de rallonge**
Lorsque la zone de travail est éloignée de la source de puissance, utiliser un fil de rallonge d'une épaisseur suffisante et d'une capacité nominale

suffisante. Le fil de rallonge doit être aussi court que possible.

4. Fixation et réglage du couvre-meule

Le couvre-meule est un dispositif de protection pour éviter les blessures au cas où le disque à moyeu déporté se briserait lors du fonctionnement. S'assurer qu'il est correctement placé et fixé avant de commencer meuler et régler l'angle souhaité du modèle. S'assurer que l'écrou de réglage est resserré à fond après le réglage du couvre-meule.

5. Vérifier que les meules montées et les pointes sont installées conformément aux instructions du fabricant.

S'assurer que la meule utilisée est le bon modèle, et qu'elle est dépourvue de fêlures et de défauts de surface. Vérifier aussi que la meule est correctement montée et que l'écrou de la meule est bloqué. Consulter la section "Montage de la meule". Bien utiliser des patins s'ils sont fournis avec le produit abrasif et qu'ils sont nécessaires.

Ne pas utiliser de coussinets d'adaptateur de réduction séparés pour adapter des meules abrasives à orifice large.

Avec les outils conçus pour un montage sur meule à orifice fileté, vérifier que le filetage de la meule est suffisamment long pour la longueur de la broche. Ne pas utiliser de meule à tronçonner pour un meulage latéral.

6. Effectuer un essai

Vérifier que le produit abrasif est correctement monté et solidement fixé avant l'utilisation et faire tourner l'outil à vide pendant 30 secondes dans une position sûre, et arrêter immédiatement l'outil s'il y a trop de vibrations ou si l'on constate d'autres anomalies.

Si ce genre d'anomalies se produit, vérifier l'outil pour en déterminer la cause.

7. Confirmer la position du bouton poussoir.

Vérifier que la bouton poussoir est libéré en appuyant deux ou trois sur le bouton poussoir avant de mettre l'outil en marche (voir la Fig. 2).

8. Mise en place de la poignée latérale

Visser la poignée latérale dans le couvercle d'engrenage.

FONCTIONNEMENT

1. Pression

Pour prolonger la vie de la machine et réaliser un fini de première qualité, il est important de ne pas surcharger la machine en exerçant une pression trop grande. Dans la plupart des applications, le poids de la machine seule suffit pour un bon meulage. Une trop grande pression peut entraîner une réduction de la vitesse de rotation, un moins bon fini de surface et une surcharge qui réduirait la durée de vie de la machine.

2. Angle de meulage

Ne pas appliquer la surface totale de la meule au matériau à meuler. Suivant la Fig. 1, la machine doit être tenue à un angle de 15° – 30° de manière à ce que le bord extérieur de la meule soit en contact avec la pièce à meuler à un angle optimal.

3. Pour éviter qu'une nouvelle meule ne creuse la pièce à meuler, le meulage initial doit se faire en tirant la machine vers l'opérateur sur la pièce (Fig. 1 direction B). Une fois que le bord d'attaque de la meule est correctement abrasé, on peut meuler dans l'une ou l'autre direction.

4. Précautions à prendre aussitôt le meulage terminé

La roue continue à tourner pendant quelques instants quand on éteint l'outil. Après avoir arrêté la machine, ne pas la poser avant l'arrêt complet de la meule. Cette précaution évitera non seulement tout accident grave, mais réduira aussi la quantité de poussière et de copeaux de métal aspirée par la machine.

ATTENTION

- Vérifier que la pièce est correctement soutenue.
- S'assurer que les événements d'aération sont bien dégagés lors d'un travail entraînant de la poussière. S'il devient nécessaire d'enlever la poussière, commencer par débrancher l'outil de la prise secteur (utiliser des objets non métalliques) et veiller à ne pas endommager les pièces internes.
- S'assurer que les étincelles provoquées lors du travail ne posent pas de danger, par exemple qu'elles ne touchent pas des personnes, et qu'elles ne s'enflamment pas de substances inflammables.
- Toujours porter des lunettes de sécurité et des protecteurs, ainsi que des vêtements de protection comme des gants, un tablier et un casque, lorsque cela est nécessaire.
- Toujours porter des protections pour les yeux et les oreilles. Il faudra également porter par exemple un masque anti-poussière, des gants, un casque et un tablier lorsque cela est nécessaire. En cas de doute, porter un équipement de protection.
- Lorsque la machine n'est pas utilisée, elle doit être débranchée.

MONTAGE ET DEMONTAGE DE LA MEULE

(Fig. 2)

ATTENTION S'assurer de mettre l'appareil hors tension et de déconnecter la prise du secteur pour éviter des problèmes.

1. Montage (Fig. 2)

- (1) Retourner la meuleuse à l'envers de façon que l'arbre soit dirigé vers le haut.
- (2) Aligner les aplats en couronne de la rondelle de la meule sur la section à encoche de l'arbre, puis les fixer.
- (3) Faire correspondre la protubérance de la meule à moyen décentré à la rondelle de la meule.
- (4) Visser l'écrou de la meule sur l'arbre.
- (5) Tout en appuyant d'une main sur le bouton poussoir, verrouiller l'arbre en tournant lentement la meule à moyen décentré de l'autre main. Serrer l'écrou de la meule à l'aide de la clé fournie, comme indiqué sur la Fig. 2.

2. Démontage

Même opération en sens inverse.

ATTENTION

- Vous assurer que la meule est fermement montée.
- Vérifier que la bouton poussoir est libéré en appuyant deux ou trois sur le bouton poussoir avant de mettre l'outil en marche.

ENTRETIEN ET CONTROLE

1. Contrôle de la meule

Vérifier que la meule est dépourvue de fêlures et de défauts de surface. Balai en carbone peut se retirer facilement.

2. Contrôle des vis de montage

Vérifier régulièrement les vis de montage et s'assurer qu'elles sont correctement serrées. Resserrer immédiatement toute vis desserrée. Sinon, il y a danger sérieux.

3. Contrôle des balais en carbone: (Fig. 3)

Le moteur utilise des balais en carbone qui sont des pièces qui s'usent. Comme un balai en carbone trop usé peut détériorer le moteur, le remplacer par un nouveau du même No. que celui montré à la figure quand il est usé ou à la limite d'usure. En outre, toujours tenir les balais propres et veiller à ce qu'ils coulissent librement dans les supports.

4. Remplacement d'un balai en carbone:

Démonter le capuchon du balai avec un tournevis à petite tête. Le balai en carbone peut se retirer facilement.

5. Entretien du moteur

Le bobinage de l'ensemble moteur est le "cœur" même de l'outil électro-portatif. Veiller soigneusement à ce que ce bobinage ne soit pas endommagé et/ou mouillé par de l'huile ou de l'eau.

6. Liste des pièces de rechange

ATTENTION

Les réparations, modifications et inspections des outils électriques Hitachi doivent être confiées à un service après-vente Hitachi agréé.

Il sera utile de présenter cette liste de pièces au service après-vente Hitachi agréé lorsqu'on apporte

un outil nécessitant des réparations ou tout autre entretien.

Lors de l'utilisation et de l'entretien d'un outil électrique, respecter les règlements et les normes de sécurité en vigueur dans le pays en question.

MODIFICATIONS

Les outils électriques Hitachi sont constamment améliorés et modifiés afin d'incorporer les tous derniers progrès technologiques.

En conséquence, il est possible que certaines pièces soient modifiées sans avis préalable.

NOTE

Par suite du programme permanent de recherche et de développement HITACHI, ces spécifications peuvent faire l'objet de modifications sans avis préalable.

Au sujet du bruit et des vibrations

Les valeurs mesurées ont été déterminées en fonction de la norme EN50144.

Le niveau de pression acoustique pondérée A type: 88 dB (A)

Le niveau de puissance sonore pondérée A type: 101 dB (A)

Porter un casque de protection.

L'accélération quadratique pondérée typique n'excède pas 2,5 m/s².

PRECAUZIONI GENERALI

ATTENZIONE!

Quando si usano elettrotensili, bisogna sempre seguire le precauzioni basilari di sicurezza per ridurre il rischio di incendi, scosse elettriche e lesioni alle persone, tra cui quanto segue.

Leggere tutte queste istruzioni prima di usare questo prodotto e conservare le istruzioni.

Per un funzionamento sicuro:

1. Mantenere sempre pulita l'area dove si lavora. Un'area di lavoro sempre pulita aiuta ad evitare incidenti.
2. Tenere nella dovuta considerazione le condizioni dell' ambiente di lavoro. Non esporre gli elettrotensili alla pioggia. Non usare gli elettrotensili in luoghi molto umidi o bagnati. Mantenere ben illuminata l'area di lavoro. Non usare elettrotensili dove ci sia il rischio di causare incendi o esplosioni.
3. Fare attenzione alle scosse elettriche. Evitare il contatto del corpo con superfici collegate a terra (p.es. tubi, caloriferi, fornelli, frigoriferi)
4. Tenere lontani i bambini e gli infermi. Non permettere che persone estranee ai lavori tocchino gli elettrotensili o i cavi della corrente elettrica. Le persone non addette al lavoro non dovrebbero nemmeno avvicinarsi.
5. Riporre gli elettrotensili in un luogo adatto. Quando non utilizzati, gli elettrotensili vanno tenuti in un luogo asciutto, chiuso a chiave o in alto, al di fuori della portata di bambini.
6. Non forzare mai gli elettrotensili. Qualsiasi lavoro viene eseguito meglio e più velocemente alla velocità per la quale l'elettrotensile è stato formulato.
7. Scegliere sempre l'utensile elettrico adatto. Non forzare un piccolo elettrotensile o un accessorio a fare un lavoro di un utensile o accessorio più grande. Non usare gli elettrotensili per dei lavori per i quali non sono stati formulati (non usare, per esempio, una sega circolare per tagliare grossi tronchi).
8. Vestirsi in modo adatto. Non portare abiti larghi o gioielli, che potrebbero impigliarsi nelle parti in movimento degli elettrotensili. Lavorando all'esterno, si raccomanda l'uso di guanti di gomma e di scarpe antidrucciolo. Chi porta capelli lunghi dovrebbe utilizzare un'apposita cuffia protettiva.
9. Usare occhiali protettivi. Eseguendo dei lavori di taglio che producono molta polvere, usare anche una mascherina antipolvere.
10. Collegare apparecchiature di rimozione della polvere. Se sono forniti dispositivi per il collegamento di apparecchiature di rimozione e raccolta della polvere, assicurarsi che siano collegati e usati correttamente.
11. Non maltrattare il cavo della corrente elettrica. Non trasportare gli elettrotensili prendendoli per il cavo della corrente e non scollegarli dalla presa in tal modo. Tenere il cavo della corrente lontano dal calore, olio ed oggetti taglienti.
12. Lavorare su oggetti fermi. Fissare saldamente l'oggetto in una morsa. È più sicuro che non

tenendolo fermo con le mani, che restano libere per maneggiare l'elettrotensile.

13. Non squilibrare il corpo durante l'esecuzione di un lavoro. Stare sempre su due piedi, in equilibrio stabile.
14. Trattare gli utensili elettrici con cura. Tenerli sempre puliti ed affilati per un funzionamento migliore e più sicuro. Seguire le istruzioni date per la lubrificazione e la sostituzione degli accessori. Controllare periodicamente le condizioni del cavo della corrente. Se dovesse essere rovinato, farlo sostituire presso un Centro Assistenza. Non usare cavi di prolungamento rovinati. Mantenere le impugnature sempre pulite, libere soprattutto da olio e grasso.
15. Quando non si usa, prima di eseguire una qualsiasi operazione di manutenzione e prima di intraprendere qualsiasi sostituzione di accessori (lama, punte, ecc.), scollegare sempre l'elettrotensile.
16. Togliere sempre le chiavi di regolazione dall'attrezzo. E'buona abitudine controllare sistematicamente che nessuna chiave di regolazione sia più attaccata all'elettrotensile, prima di metterlo in funzione.
17. Evitare che l'elettrotensile possa inavvertitamente essere messo in funzione. Non trasportare gli elettrotensili mantenendo il dito sull'interruttore, mentre sono collegati alla rete. Prima di collegarli, controllare che l'interruttore sia in posizione di spento.
18. Fare uso di cavi di prolungamento per esterni. In questo caso, controllare che il cavo sia adatto per l'uso all'esterno.
19. Stare sempre attenti. Guardare sempre nel punto in cui si esegue il lavoro. Non usare utensili elettrici se si è stanchi.
20. Controllare qualsiasi parte che sembra danneggiata. Prima di riprendere l'uso degli elettrotensili, controllare attentamente che la parte apparentemente danneggiata possa ancora essere usata in modo da assolvere la sua funzione. Controllare che le parti mobili siano nella loro posizione corretta, che nessun pezzo sia rotto, che tutti i pezzi siano montati correttamente, e controllare altri punti importanti per il funzionamento dell' utensile elettrico. Qualsiasi pezzo danneggiato deve essere riparato o sostituito da un Centro Assistenza autorizzato, a meno che dettagliate istruzioni in proposito siano date nel presente manuale. Non usare l'elettrotensile se non può e acceso o spento per mezzo del suo interruttore.
21. Attenzione
L'uso di qualsiasi accessorio o attacco diverso da quelli citati nel presente manuale di istruzioni può presentare il rischio di lesioni alle persone.
22. Far riparare l'elettrotensile da personale qualificato. Questo elettrotensile è in conformità con le relative norme di sicurezza. Le riparazioni devono essere eseguite solo da personale qualificato usando ricambi originali, altrimenti ne possono derivare considerevoli rischi per l'utilizzatore.

PRECAUZIONI PER L'USO DELLA SMERIGLIATRICE ANGOLARE

1. Non far funzionare MAI questo utensile elettrico senza il carter della mola.
2. Controllare che la velocità indicata sulla mola sia uguale o maggiore della velocità nominale della molatrice.
Usare solo ruote centrali concave con una velocità di sicurezza di almeno 80 m/s (72 m/s solo per smerigliatrici da 100 mm).
3. Assicurarsi che le dimensioni della mola siano compatibili con la molatrice e che la mola si inserisca nel mandrino.

4. Le mole abrasive devono essere conservate e maneggiate con cura secondo le istruzioni del fabbricante.
5. Ispezionare la mola prima dell'uso e non usare prodotti scheggiati, incrinati o altrimenti difettosi.
6. Impugnare sempre saldamente il corpo e l'impugnatura dell'utensile, per evitare che la forza di controtorazione produca un lavoro impreciso e persino pericoloso.
7. Non utilizzare mole da taglio per la smerigliatura laterale.
8. Non utilizzare raccordi di riduzione o adattatori per adattare le mole abrasive per fori ampi.
9. La mola continua a ruotare anche dopo lo spegnimento dell'utensile.

CARATTERISTICHE

Modello		G10SR2	G12SR2	G13SR2
Voltaggio (per zone)*		(110V, 120V, 220V, 230V, 240V) ~		
Potenza assorbita*		650 W		
Velocità senza carico		11000 min ⁻¹		10000 min ⁻¹
Mola	Diametro esterno × diametro del foro	100 × 16 mm	115 × 22 mm	125 × 22 mm
	Velocità periferica	72 m/s	80 m/s	
Peso (Solamente l'apparecchio principale.)		1,4 kg		

*Accertatevi de aver controllato bene la piastrina perché essa varia zona a zona.

ACCESSORI STANDARD

- (1) Chiave 1
 (2) Impugnatura laterale 1
 Gli accessori standard possono essere cambiati senza preavviso.

IMPIEGHI

- Asportazione di bavature di getti e rifinitura di vari tipi di materiali d'acciaio, bronzo e alluminio e oggetti di ghisa.
- Molatura di sezioni saldate o sezioni tagliate a mezzo saldatore.
- Molatura di resine sintetiche, ardesia, mattoni, marmo, ecc.

PRIMA DELL'USO

1. **Alimentazione**
Assicurarsi che la rete di alimentazione che si vuole usare sia compatibile con le caratteristiche relative all'alimentazione di corrente specificate nella piastrina dell'apparecchio.
2. **Interruttore di corrente**
Mettere l'interruttore in posizione SPENTO. Se la spina è infilata in una presa mentre l'interruttore è acceso, l'utensile elettrico si mette immediatamente in moto, facilitando il verificarsi di incidenti gravi.
3. **Prolunga del cavo**
Quando l'ambiente di lavoro è lontano da una presa di corrente, usare una prolunga del cavo di sufficiente spessore e di prestazione adeguata. La prolunga deve essere più corta possibile.

4. **Fissaggio e regolazione del carter della mola**
Il carter della mola è un dispositivo per evitare lesioni nel caso che la mola dovesse frantumarsi durante il funzionamento. Assicurarsi che il carter sia ben messo e fissato, prima di iniziare operazioni di molatura.
Allentando un poco le viti di regolazione, il carter può essere ruotato e posto a qualsiasi angolo che si desidera, per ottenere la massima efficacia. Assicurarsi che la vite di regolazione sia serrata a fondo, dopo aver regolato il carter della mola.
5. Assicurarsi che le mole e le punte montate siano applicate secondo le istruzioni del fabbricante. Assicurarsi chi la mola da usare sia del tipo giusto e non abbia incrinature o difetti sulla superficie. Assicurarsi anche che la mola sia ben montata e che il dado della mola sia ben stretto. Vedere il capitolo relativo al "montaggio della mola". Assicurarsi di usare gli asciugatori se sono forniti insieme al prodotto abrasivo incollato e quando sono necessari.
Non usare boccole di riduzione separate o adattatori per adattare mole abrasive a foro largo. Per utensili cui devono essere applicate mole a foro filettato, assicurarsi che la filettatura della mola sia di lunghezza sufficiente ad accettare la lunghezza del perno.
Non usare una mola di taglio per molature laterali.
6. **Esecuzione di una corsa di prova**
Assicurarsi che i prodotti abrasivi siano montati e serrati correttamente prima dell'uso e far funzionare l'utensile senza carico per 30 secondi in una posizione sicura, fermandolo immediatamente se si notano vibrazioni considerevoli o altri difetti. Se si verificano tali condizioni, controllare la macchina per determinare la causa.

7. Controllare il pulsante di bloccaggio.

Esso deve venire sollevato premendolo due o tre volte prima di accendere l'utensile a motore (Vds. Fig. 2).

8. Fissaggio dell'impugnatura laterale

Avvitare l'impugnatura laterale sul coperchio degli ingranaggi.

APPLICAZIONE PRATICHE DELLA MOLATRICE**1. Pressione da esercitare**

Per prolungare la vita dell'utensile e assicurare un lavoro di rifinitura di prima qualità, è importante che la macchina non sia sovraccaricata esercitando troppa pressione. In moltissimi casi il solo peso della macchina è sufficiente per una efficace molatura. Una pressione troppo forte porta ad una riduzione della velocità di rotazione, ad una minore rifinitura di superfici ad un sovraccarico che potrebbe ridurre la vita della macchina.

2. Angolo di molatura

Non appoggiare l'intera superficie della mola al materiale da molare. (Vedere Fig. 1), la macchina deve essere tenuta ad un angolo di 15° - 30°, in modo che il bordo esterno della mola venga a contatto dell'oggetto da lavorare con un angolo ottimale.

3. Per evitare che una mola nuova scavi nell'oggetto da lavorare, all'inizio la molatura deve essere eseguita tirando la smerigliatrice, attraverso l'oggetto da lavorare, nella direzione dell'operatore (Fig. 1 direzione B). Una volta smussato a punto lo spigolo della mola, la molatura pu essere eseguita nell'uno o nell'altro senso.

4. Precauzioni da prendere immediatamente dopo aver eseguito il lavoro di rifinitura

La mola continua a ruotare dopo che l'utensile è stato spento.

Dopo aver spento la macchina, non posarla fino a che la mola non sia completamente arrestata.

Oltre ad evitare gravi incidenti, questa precauzione riduce la quantità di polvere e di detriti succhiati all'interno della macchina.

ATTENZIONE

- Controllare che il pezzo da lavorare sia sostenuto bene.
- Assicurarsi che le aperture di ventilazione siano libere quando si lavora in condizioni polverose. Se fosse necessario eliminare la polvere, prima scollegare l'utensile dalla presa di corrente (usare oggetti non metallici) ed evitare di danneggiare le parti interne.
- Assicurarsi che le scintille prodotte dall'uso non creino pericoli, come colpire persone o dare fuoco a sostanze infiammabili.
- Usare sempre occhiali di sicurezza e protettori per le orecchie, usare altro abbigliamento di protezione come guanti, grembiule e casco come necessario.
- Usare sempre protezione per gli occhi e le orecchie. Altro abbigliamento di protezione come maschera antipolvere, guanti, casco e grembiule deve essere indossato quando necessario. In caso di dubbi, indossare l'abbigliamento protettivo.
- Quando la macchina non è usata è necessario staccare la spinadalla presa.

MONTAGGIO E RIMOZIONE DELLA MOLA**(Fig. 2)**

ATTENZIONE Assicurarsi di spegnere (OFF) e di scollegare la spina del cavo dalla presa di corrente per evitare rischi.

1. Montaggio (Fig. 2)

- (1) Capovolgere la smerigliatrice angolare in modo che l'asse sia rivolto in alto.
- (2) Allineare la parte piatta trasversale della rondella ruota con la parte intaccata dell'asse e unire le due parti.
- (3) Inserire la sporgenza della ruota centrale incassata nella rondella ruota.
- (4) Avvitare il dado ruota sull'asse.
- (5) Premendo il pulsante con una mano, bloccare l'asse facendo girare la ruota centrale incassata lentamente con l'altra mano.
Serrare il dado ruota usando la chiave in dotazione come mostrato in Fig. 2.

2. Rimozione

Seguire all'inverso il procedimento suddetto.

ATTENZIONE

- Controllare che la mola sia montata saldamente.
- Controllare che la tast di blocco sia libera, spingendola due o tre volte prima di accendere l'utensile a motore.

MANUTENZIONE E CONTROLLI**1. Controllo della mola**

Assicurarsi che la mola sia priva di incrinature e di difetti di superficie.

2. Controllo delle viti di tenuta

Controllare regolarmente tutte le viti di tenuta e assicurarsi che siano esclusivamente serrate. Nel caso che una di queste viti dovesse allentarsi riserrarla immediatamente. Se si non ottiene di farlo, si può causare una grave incidente.

3. Controllo delle spazzole di carbone (Fig. 3)

Il motore impiega spazzole di carbone che sono materiali di consumo. Poichè una spazzola di carbone troppo larga può creare fastidi al motore, sostituire la spazzola con una dello stesso numero indicato nella figura quando essa è logora fino al limite del regolamento e quasi.

Tenere inoltre sempre pulite le spazzole di carbone e fare in modo che esse scorrano liberamente nell'interno del portaspazzola.

4. Sostituzione di una spazzola di carbone:

Togliere la capsula della spazzola con un cacciavite a taglio. La spazzola può così essere agevolmente rimossa.

5. Manutenzione del motore

L'avvolgimento del motore il vero e proprio "cuore" degli attezzi elettrici. Fare attenzione a non danneggiare l'avvolgimento e/o non bagnarlo con olio o acqua.

6. Lista dei pezzi di ricambio**CAUTELA**

Riparazioni, modifiche e ispezioni di utensili elettrici Hitachi devono essere eseguite da un centro assistenza Hitachi autorizzato.

Questa lista dei pezzi torna utile se viene presentata con l'utensile al centro assistenza Hitachi autorizzato quando si richiedono riparazioni o altri interventi

di manutenzione.

Nell'uso e nella manutenzione degli utensili elettrici devono essere osservate le normative di sicurezza e i criteri prescritti in ciascun paese.

MODIFICHE

Gli utensili elettrici Hitachi vengono continuamente migliorati e modificati per includere le più recenti innovazioni tecnologiche.

Di conseguenza, alcuni pezzi possono essere modificati senza preavviso.

NOTA

A causa del continuo programma di ricerca e sviluppo della HITACHI, le caratteristiche riportate in questo foglio sono soggette a cambiamenti senza preventiva comunicazione.

Informazioni riguardanti i rumori trasmessi dall'aria e le vibrazioni

I valori misurati sono stati determinati in conformità a EN50144.

Il livello di pressione sonora pesato A tipico: 88 dB (A)

Il livello di potenza sonora pesato A tipico: 101 dB (A)

Indossare protezioni per le orecchie.

Il valore tipico di accelerazione quadrata media a radice pesata non supera 2,5 m/s².

ALGEMENE VOORZORGMAATREGELEN

WAARSCHUWING! Bij gebruik van elektrisch gereedschap moet u altijd de normale basisvoorzorgen voor de veiligheid in acht nemen om de kans op brand, elektrische schokken en letsel te verminderen. Let tevens op de volgende punten.

Lees al de aanwijzingen door alvorens het gereedschap in gebruik te nemen. Bewaar deze aanwijzingen.

Voor een veilige werking:

1. Houd de plaats waar gewerkt wordt schoon. Niet opgeruimde werkplaatsen en werkbanken verhogen het gevaar van ongelukken.
2. Kies een geschikte omgeving om te werken. Stel elektrisch gereedschap niet aan regen bloot. Gebruik elektrisch gereedschap niet op vochtige of natte plaatsen.
Zorg dat de werkplaats goed verlicht is. Gebruik elektrisch gereedschap niet op plaatsen waar brand- of explosiegevaar is.
3. Vermijd een elektrische schok. Let er daarom op dat er geen contact is met geaarde oppervlakken zoals pijpen, radiators, keukenfornuis of ijskast.
4. Houd kinderen en onbevoegden uit de buurt. Laat bezoekers het gereedschap of snoer niet aanraken. Alle bezoekers moeten een veilige afstand tot de werkplaats aanhouden.
5. Ruim overbodig gereedschap op. Gereedschap dat niet gebruikt wordt moet op een droge, hooggelegen of af te sluiten plaats buiten bereik van kinderen en onbevoegden opgeborgen worden.
6. Forceer het gereedschap niet. Het levert een betere en veiligere prestatie op de snelheid waarvoor zij werd ontworpen.
7. Gebruik het juiste gereedschap. Gebruik een klein gereedschap of hulpstuk niet voor werkzaamheden waarvoor een apparaat met groot vermogen vereist is. Gebruik het gereedschap niet voor doeleinden waarvoor dit niet bestemd is (bijvoorbeeld gebruik van de cirkelzaag voor het zagen van bomen).
8. Draag de juiste kleding. Draag geen loszittende kleren of armbanden e.d. daar deze in de bewegende delen verstrikt kunnen raken. Bij het werken buitenshuis wordt het gebruik van rubber handschoenen en stevige, niet glijdende schoenen aanbevolen.
9. Draag een veiligheidsbril. Ontstaat er veel stof tijdens het werken, draag dan eveneens een gezichtsbeschermer en/of stofmasker.
10. Sluit apparatuur voor het verzamelen van stof aan.
Indien apparatuur voor het verzamelen van stof is bijgeleverd, moet u deze apparatuur op de vereiste wijze verbinden en gebruiken zoals wordt beschreven.
11. Behandel het snoer voorzichtig. Draag het gereedschap nooit door dit bij het snoer vast te houden. Bescherm het snoer tegen hitte, olie en scherpe hoeken.
12. Neem de uiterste veiligheid in acht. Gebruik klemmen of een bankschroef om het werkstuk vast te zetten. Hierdoor heeft u uw handen vrij om het gereedschap te bedienen.
13. Buig u nooit te ver naar voren. Kies een goede plaats en behoud altijd uw evenwicht.
14. Behandel het gereedschap voorzichtig. Zorg ervoor dat het gereedschap scherp en schoon is zodat een goed en veilig prestatievermogen wordt verkregen. Volg de gebruiksaanwijzing voor het smeren en het verwisselen van toebehoren. Inspecteer de snoeren regelmatig op beschadiging en laat deze zonodig door een erkend servicecenter repareren. Controleer de verlengsnoeren ook regelmatig en vervang deze bij beschadiging. Houd alle handgrepen droog en schoon en vrij van olie en vet.
15. Trek de stekker uit het stopcontact als het gereedschap niet wordt gebruikt en ook bij onderhoudsbeurten, het verwisselen van toebehoren zoals bladen, boren, messen e.d.
16. Verwijder sleutels en moersleutels. Maak er een gewoonte van voor het inschakelen te controleren of alle sleutels en moersleutels verwijderd zijn.
17. Schakel het gereedschap niet onverwacht in. Draag geen aangesloten gereedschap met de vinger op de schakelaar. Controleer altijd of het gereedschap uitgeschakeld staat alvorens dit aan te sluiten.
18. Bij het werken buitenshuis dient een verlengsnoer te worden gebruikt. Gebruik dan alleen verlengsnoeren die geschikt zijn voor het werken buitenshuis en desbetreffend gemerkt zijn.
19. Let altijd goed op tijdens het werken. Kijk uit wat u doet en gebruik het gereedschap niet als u moe bent.
20. Bij beschadiging van een van de onderdelen dient dit nauwkeurig te worden nagekeken en gerepareerd alvorens het gereedschap opnieuw in gebruik wordt genomen. Let erop dat het betreffende onderdeel zijn functie goed vervult. Controleer of de bewegende delen goed zijn gemonteerd en vrij kunnen bewegen. Dit om een foutief functioneren van het gereedschap te voorkomen. Bij de beschadiging van een onderdeel dient de reparatie altijd te worden overgelaten aan een erkend service-center, tenzij in deze gebruiksaanwijzing anders wordt voorgeschreven. Laat ook defekte schakelaars vervangen door een erkend service-center. Gebruik het gereedschap niet als de aan/uit-schakelaar niet werkt.
21. Waarschuwing
Het gebruik van toebehoren of verlengstukken waarvan het gebruik niet in deze gebruiksaanwijzing is aangegeven, veroorzaakt mogelijk letsel.
22. Laat het elektrisch gereedschap door een vakman repareren.
Dit elektrisch gereedschap voldoet aan de vereiste eisen voor de veiligheid. Voorkom mogelijk zeer ernstige ongelukken en laat derhalve reparatie over aan een erkend vakman die de originele reserve-onderdelen gebruikt.

VOORZORGSMAATREGELEN HAAKSE SLIJPMACHINE

1. Gebruik deze gereedschappen nooit zonder beschermkap.
2. Controleer of de op de schijf aangegeven snelheid groter of gelijk is aan de opgegeven snelheid van de slijpmachine.
Gebruik alleen schuurschijven met een verdiept centrum en met een veiligheidsnelheid van minstens 80 m/s (72 m/s uitsluitend voor 100 mm slijpmachines).
3. Controleer of de afmetingen van de schijf geschikt zijn voor de slijpmachine en of de schijf goed op de as past.

4. Slijpschijven dienen te worden bewaard en gehanteerd met inachtneming van de aanwijzingen van de fabrikant.
5. Controleer de slijpschijf voor gebruik, gebruik geen schijven waar stukjes af zijn, die gebarsten zijn of andere gebreken vertonen.
6. Houd de Handgrepen van het elektrisch gereedschap altijd stevig vast. Zoniet dan zal de tegendruk onzuiver werk of gevaarlijke situaties in de hand werken.
7. Gebruik slijpschijven niet als vlakschuurschijven.
8. Gebruik geen vulstukken of adapters om schuurschijven met te grote gaten toch te kunnen gebruiken.
9. De schijf blijft nog even draaien nadat het gereedschap is uitgeschakeld.

TECHNISCHE GEGEVENS

Model		G10SR2	G12SR2	G13SR2
Voltage (verschillend van gebied tot gebied)*		(110V, 120V, 220V, 230V, 240V) ~		
Opgenomen vermogen*		650 W		
Toerental onbelast		11000 min ⁻¹		10000 min ⁻¹
Schuur schijf	Buitendiameter × diameter gat	100 × 16 mm	115 × 22 mm	125 × 22 mm
	Omtreksnelheid	72 m/s	80 m/s	
Gewicht (Alleen hoofdeenheid)		1,4 kg		

*Controleer het naamplaatje op het apparaat daar het apparaat afhankelijk van het gebied waar het verkocht wordt kan verschillen.

STANDAARD TOEBEHOREN

- (1) Sleutel 1
 (2) Handgreep 1
 De standaard toebehoren kunnen zonder aankondiging op ieder moment worden veranderd.

TOEPASSINGEN

- Verwijdering van gietresten en eindafwerking van verschillende staalkwaliteiten, brons- en aluminiummaterialen en gietdelen.
- Het schuren van gelaste stukken of van door brand-snijden vervaardigde stukken.
- Het schuren van kunsthar, lei, baksteen, marmer, etc.

VOOR BEGIN VAN WERK

1. **Netspanning**
Kontroleren of de netspanning overeenkomt met de opgave op het naamplaatje.
2. **Netschakelaar**
Kontroleren of de netschakelaar op "UIT" staat. Wanneer de stekker op het net aangesloten is, terwijl de schakelaar op "AAN" staat, begint het gereedschap onmiddellijk te draaien, hetwelk ernstig gevaar betekent.
3. **Verlengsnoer**
Wanneer het werkterrein niet in de buurt van een stopcontact ligt, dan moet men gebruik maken van een verlengsnoer, dat voldoende dwarsprofiel en

voldoende nominaal vermogen heeft. Het verlengsnoer moet zo kort mogelijk gehouden worden.

4. **Het aanbrengen en instellen van de beschermkap**
De beschermkap is een beveiligingsinrichting, waardoor schade verhinderd moet worden, wanneer de schuurschijf tijdens het bedrijf zou breken. Er moet op gelet worden, dat de kap juist aangebracht en bevestigd is, voordat men met het schuren begint. Door het licht losdraaien van de vergrendelingschroef kan de beschermkap gedraaid en in elke gewenste hoek ingesteld worden om een maximaal prestatievermogen te bereiken. Zekergesteld moet worden, dat de vergrendelingschroef na het instellen van de beschermkap juist vastgedraaid wordt.
5. Controleer of gemonteerde schijven en andere onderdelen in overeenstemming met de aanwijzingen van de fabrikant zijn bevestigd. Verder moet er op gelet worden, dat de te gebruiken schuurschijf de juiste uitvoering is en zonder scheurtjes en oppervlaktefoutjes is. Tevens moet er op gelet worden, dat de schuurschijf juist gemonteerd en de moer van de schuurschijf vast aangedraaid is. Zie het punt "Het aanbrengen van de schuurschijf".
Zorg ervoor dat er een vloeiblok gebruikt wordt als dit wordt meegeleverd met verlijmd schuurproducten en gebruik daarvan vereist is. Gebruik geen losse vulringen of adapters om slijpschijven met te grote middengaten te gebruiken. Voor gereedschap dat bedoeld is voor montage van schijven met schroefdraad dient u ervoor te zorgen

dat de schroefdraad in de schijf lang genoeg is voor de lengte van de as.

Gebruik de oppervlakte van een slijpschijf niet om te schuren.

6. Het uitvoeren van een proefdraaiing

Zorg ervoor dat het schuurproduct op de juiste manier gemonteerd en vastgezet is voor gebruik, laat het gereedschap zonder belasting 30 seconden lang op een veilige plek proefdraaien en stop onmiddellijk als u trillingen voelt of andere problemen bemerkt. In een dergelijk geval dient u de machine te inspecteren om de oorzaak op te sporen.

7. Controleer de blokkeerstift.

Controleer of de blokkeerstift los is door er een paar keer op te drukken voor u het elektrisch gereedschap aan zet. (Zie **Afb. 2**)

8. Bevestigen van de handgreep

Schroef de handgreep in de behuizing vast.

PRAKTISCH SCHUURWERK

1. Druk

Voor de levensduur van de machine en voor prima werk is het belangrijk, dat de machine niet door te sterke druk overbelast wordt. Bij het meeste gebruik is het gewicht van de machine voor doeltreffend schuren voldoende. Te sterke druk leidt tot een verminderd toerental, slecht afgewerkt oppervlak en een overbelasting die de levensduur van de machine zou kunnen verminderen.

2. Schuurhoek

Niet de totale oppervlakte van de schuurschijf op het te schuren materiaal leggen. De machine moet in een hoek van 15° – 30° gehouden worden, zoals afgebeeld in **Afb. 1**, zodat de buitenkant van de schuurschijf het werkstuk in een optimale hoek aanraakt.

3. Opdat een nieuwe schuurschijf zich niet in het werkstuk graaft, moet met het begin van het schuurwerk zo uitgevoerd worden, dat de schuurmachine over het werkstuk naar degene, die de machine bedient, getrokken wordt (**Afb. 1 richting B**). Wanneer de voorkant van de schuurschijf desbetreffend afgeschuurd is, kan het schuren in beide richtingen uitgevoerd worden.

4. Veiligheidsmaatregelen onmiddellijk na beëindiging van het werk

De schijf blijft draaien nadat het gereedschap is uitgeschakeld.

Na het uitschakelen mag de machine pas neergelegd worden, wanneer de schuurschijf volledig tot stilstand gekomen is. Afgezien van dat u hiermee ongelukken vermijdt, wordt door deze veiligheidsmaatregel tevens vermeden, dat stof en spaanders in de machinegezogen worden.

LET OP

- Controleer of het werkstuk goed ondersteund wordt.
- Zorg ervoor dat de ventilatie-openingen vrij blijven, vooral wanneer u onder stoffige omstandigheden moet werken. Als u stof moet verwijderen, dient u eerst de stekker van het gereedschap uit het stopcontact te halen (gebruik in geen geval metalen voorwerpen) en zorg ervoor dat u de onderdelen in het binnenwerk niet beschadigt.

- Zorg ervoor dat eventuele vonken geen gevaar kunnen opleveren, dus bijv. geen personen kunnen raken of brandbare materialen kunnen ontsteken.
- Draag altijd een veiligheidsbril en gehoorbescherming, gebruik indien nodig andere persoonlijke beschermingsmiddelen zoals handschoenen, schort of helm.
- Draag altijd oog- en gehoorbescherming. Andere beschermingsmiddelen, zoals een stofmasker, handschoenen, helm en schort moeten worden gebruikt indien nodig. Bij twijfel kunt u deze beschermingsmiddelen het beste gebruiken.
- Wanneer de machine niet gebruikt wordt, moet de stekker uit het stopcontact getrokken worden.

MONTEREN EN DEMONTEREN VAN DE SCHUURSCHIJF (Afb. 2)

VOORZICHTIG Zorg ervoor dat de stroom is uitgeschakeld (OFF) en dat de stekker uit de stroom-aansluiting is getrokken.

Dit om ernstige problemen te voorkomen.

1. Monteren (Afb. 2)

- (1) Keer de haakse slijpmachine ondersteboven zodat de as naar boven wijst.
- (2) Pas de onderlegging op de inkeping van de as en maak deze vast.
- (3) Pas het uitsteeksel van de schijf met het verlaagde midden op de onderlegging.
- (4) Schroef de schijfmoer op de as.
- (5) Druk met één hand de borgknop in en vergrendel de as door de schijf met het verlaagde midden langzaam met uw andere hand rond te draaien. Zet de schijfmoer vast met de meegeleverde sleutel, zoals u kunt zien op **Afb. 2**.

2. Demonteren

Voor demonteren geschiedt in omgekeerde volgorde.

VOORZICHTIG

- Controleer of de schuurschijf stevig vastzit.
- Gekontroleerd moet worden of de drukknop losgemaakt is, door twee of drie keer voor het aanschakelen van het apparaat op de drukknop te drukken.

ONDERHOUD EN INSPECTIE

1. Controle van de schuurschijf

Er moet op gelet worden, dat de schuurschijf zonder scheurtjes en foutjes aan de oppervlakte is.

2. Inspectie van de bevestigingsschroef

Alle bevestigingsschroeven worden regelmatig geïnspecteerd en gecontroleerd of zij juist aangedraaid zijn. Wanneer één van de schroeven losraakt, dan moet deze onmiddellijk opnieuw aangedraaid worden. Gebeurt dat niet, dan kan dat tot aanzienlijke gevaren leiden.

3. Inspectie van de koolborstels (Afb. 3)

Bij de motor zijn koolborstels gebruikt, die onderhevig zijn aan slijtage. Buitengewoon versleten koolborstels leiden tot problemen bij de motor. Dientengevolge dienen de koolborstels vervangen te worden met borstels die hetzelfde nummer hebben als de afbeelding aantoont, wanneer de koolborstel versleten, of bijna versleten is. Bovendien moeten de koolborstels altijd schoon zijn en zich in vrij de

borstelhouders bewegen kunnen.

4. **Het wisselen van de koolborstel:**

Men demonteert de borsteldeksel met een steeksleutel. Men kan de koolborstel dan gemakkelijk verwijderen.

5. **Onderhoud van de motor**

De motorwikkeling is het "hart" van het elektrische gereedschap. Er moet daarom bijzonder zorgvuldig op gelet worden, dat de wikkeling niet beschadigd en/of met olie of water bevochtigd wordt.

6. **Lijst vervangingsonderdelen**

LET OP

Reparatie, modificatie en inspectie van Hitachi elektrisch gereedschap dient te worden uitgevoerd door een erkend Hitachi Service-centrum.

Deze Onderdelenlijst komt van pas wanneer u deze samen met het gereedschap aanbiedt bij het erkende Hitachi Service-centrum wanneer u om reparatie of ander onderhoud verzoekt.

Bij gebruik en onderhoud van elektrisch gereedschap dienen de in het land waar u zich bevindt geldende veiligheidsregelgeving en veiligheidsstandaarden strikt te worden opgevolgd.

MODIFICATIES

Hitachi elektrisch gereedschap wordt voortdurend verbeterd en gewijzigd teneinde gebruik te kunnen maken van de nieuwste technische ontwikkelingen. Daarom is mogelijk dat sommige onderdelen zonder voorafgaande kennisgeving gewijzigd worden.

AANTEKENING

Op grond van het voortdurende research- en ontwikkelingsprogramma van HITACHI zijn veranderingen van de hierin genoemde technische opgaven voorbehouden.

Informatie betreffende luchtgeluid en trillingen

De gemeten waarden zijn verkregen overeenkomstig EN50144.

Het doorsnee A-gewogen geluiddrukknivo: 88 dB (A)

Het standaard A-gewogen geluiddrukknivo: 101 dB (A)

Draag gehoorbescherming.

De doorsnee gewogen effectieve acceleratiewaarde is gelijk aan of minder dan 2,5 m/s².

PRECAUCIÓN ES GENERAL ES PARA OPERACIÓN

¡ADVERTENCIA! Cuando utilice herramientas eléctricas, tome las medidas de seguridad básicas para reducir el riesgo de incendios, descargas eléctricas, y lesiones, incluyendo lo siguiente. Lea todas estas instrucciones antes de utilizar este producto y guárdelas. Para realiza roperaciones seguras:

1. Mantener el área de trabajo limpia, áreas y bancos de trabajo desordenados son causa de daños personales.
2. Considerar el medio ambiente del área de trabajo. No exponer las herramientas eléctricas a la lluvia. No usar herramientas eléctricas en lugares mojados o húmedos. Mantener el área de trabajo bien iluminada. No utilice herramientas eléctricas cuando exista el riesgo de incendios o de explosión.
3. Protegerse contra descargas eléctricas. Evitar el contacto del cuerpo con las superficies puestas a tierra. (p. ej., tubos, radiadores, hornos de microondas, o refrigeradores.)
4. Mantener a los niños y a las personas débiles alejados. No dejar que los visitantes toquen las herramientas ni los cables de extensión. Todos los visitantes deberán mantenerse alejados del área de trabajo.
5. Guardar las herramientas que no se usen y ponerlos en lugares secos, altos o cerrados, fuera del alcance de los niños y a las personas débiles.
6. No forzar las herramientas, éstas trabajarán más y con mayor seguridad cuando cumplan con las especificaciones para las cuales fueron diseñadas.
7. Usar las herramientas apropiadas. No forzar pequeñas herramientas o accesorios a realizar el trabajo de herramientas de mayor potencia. No utilizar herramientas para otros propósitos para los cuales no fueron diseñadas, por ejemplo, no utilizar sierras circulares para cortar ramas de árboles o troncos.
8. Vestir apropiadamente. No ponerse ropas que queden flojas ni tampoco joyas. Estas podrían quedar atrapadas en las partes móviles de las herramientas. Cuando se trabaje en exteriores, se recomienda el uso de guantes de goma y calzado que no resbale.
9. Usar gafas de protección. Usar también mascarillas contra el polvo si las condiciones de corte fuesen polvorientas.
10. Conecte un equipo colector de polvo. Si existen dispositivos para la conexión de equipos de extracción y recolección de polvo, cerciórese de que éstos estén conectados adecuadamente, y de utilizarlos en la forma correcta.
11. Cuidar del cable. Nunca lleve las herramientas colgando del cable, tampoco tire del cable para efectuar la desconexión de las herramientas. Mantener el cable alejado del calor, aceite y bordes agudos.
12. Asegurar la pieza de trabajo usando para ello abrazaderas o un tornillo. Esto es más seguro que usar las manos, además, ambas manos quedan libres para operar la herramienta.
13. No extenderse excesivamente para efectuar un trabajo. Mantener en todo momento un buen balance y base de apoyo.
14. Mantener cuidadosamente las herramientas. Tener las siempre limpias y afiladas para obtener un mejor rendimiento y un funcionamiento más seguro. Seguir siempre las instrucciones para la lubricación y el cambio de accesorios. Inspeccionar periódicamente los cables de las herramientas y si estuviesen dañados, hacer que los reparen técnicos ó expertos. Inspeccionar periodicamente los cables de extensión y cambiarlos si estuviesen dañados. Mantener los mangos secos, limpios, y libres de aceite y grasa.
15. Desconectar las herramientas cuando no se usen, antes de repararlas, y cuando se cambien accesorios como por ejemplo, cuchillas, brocas, cortadores, etc.
16. Quitar las cuñas y las llaves de tuercas. Acostumbrarse a comprobar si se han quitado las cuñas y las llaves de tuercas antes de poner las herramientas en funcionamiento.
17. Evitar puestas en funcionamiento sin fin alguno. No llevar las herramientas con los dedos en los interruptores mientras que éstas están conectadas. Cuando se conecten las herramientas, cerciorarse de que los interruptores esten en la posición de desconectados.
18. Para usos en exteriores usar cables de extensión. Cuando las herramientas vayan a ser usadas en exteriores, usar solamente cables de extensión diseñados para tal propósito.
19. Estar siempre alerta y poner atención a lo que se está haciendo, usar el sentido común y no operar con la herramienta cuando se esté cansado.
20. Comprobar las piezas dañadas. Antes de seguir con el funcionamiento de las herramientas, las piezas que estén dañadas deberán comprobarse cuidadosamente para determinar si pueden funcionar apropiadamente y cumplir con la función para las que fueron diseñadas. Comprobar el alineamiento y agarrotamiento de piezas móviles, rotura de piezas, montura, y cualquier otra anomalía que pudiese afectar al rendimiento de la herramienta. Cualquier pieza que estuviese dañada deberá repararse apropiadamente o cambiarse en un centro de reparaciones autorizado, al menos que se indique, lo contrario en este manual de instrucciones. Procurar que los interruptores defectuosos los cambie un centro de reparaciones autorizado. No usar las herramientas si sus interruptores no funcionan apropiadamente.
21. Advertencia
La utilización de cualquier accesorio o aditivo no recomendado en este manual de instrucciones puede conducir al riesgo de lesiones.
22. En caso de avería, haga que su herramienta sea reparada por un técnico cualificado.
Esta herramienta eléctrica está de acuerdo con los requisitos de seguridad pertinentes. Las reparaciones solamente deberán realizarlas técnicos cualificados utilizando piezas de repuesto originales. De lo contrario, el usuario podría lesionarse.

PRECAUCIONES AL UTILIZAR LA AMOLADORA ANGULAR

1. Nunca trabajar con estas herramientas eléctricas sin cubiertas protectoras de la muela.
2. Compruebe que la velocidad marcada en la muela sea igual o mayor que la velocidad nominal de la amoladora.
Emplee sólo muelas de centro hundido con una velocidad nominal de 80 m/s (72 m/s sólo para amoladoras angulares de 100mm) o más.
3. Compruebe que las dimensiones de la muela sean compatibles con la amoladora y que la muela encaja en el husillo.
4. Las muelas abrasivas se deben almacenar y tratar con cuidado, de conformidad con las instrucciones del fabricante.

5. Inspeccione la muela rectificadora antes del uso, y no utilice productos descascarados, agrietados o defectuosos de cualquier otro manera.
6. Sujetar siempre firmemente el asidero del cuerpo y el asidero lateral de la herramienta. De lo contrario la contrafuerza producida podría causar un funcionamiento impreciso e incluso peligroso.
7. No utilice las muelas de tallado para el amolado lateral.
8. No utilice los bujes o adaptadores de reducción separados para adaptar muelas abrasivas de orificio grande.
9. La muela continúa girando aún después de apagar la herramienta.

ESPECIFICACIONES

Modelos		G10SR2	G12SR2	G13SR2
Voltaje (por áreas)*		(110V, 120V, 220V, 230V, 240V) ν		
Acometida*		650 W		
Velocidad marcha en vacío		11000 min ⁻¹		10000 min ⁻¹
Muela	Diámetro exterior x diámetro del orificio	100 x 16 mm	115 x 22 mm	125 x 22 mm
	Velocidad periférica	72 m/s	80 m/s	
Peso (Cuerpo principal solamente)		1,4 kg		

*Verificar indefectiblemente los datos de la placa de características de la máquina, pues varían de acuerdo al país de destino.

ACCESORIOS ESTANDAR

- (1) Llave para tuercas 1
 (2) Asidero lateral 1
 Los accesorios estándar están sujetos a cambio sin previo aviso.

APLICACIONES

- Eliminación de rebabas de juntas y acabado de diversos tipos de acero, bronce y aluminio, materiales y fundiciones.
- Alisado de secciones soldadas o secciones cortadas por medio de soldadura.
- Alisado de resina sintética, pizarra, ladrillo, mármol, etc.

ANTES DE LA PUESTA EN MARCHA

1. **Alimentación**
Asegurarse de que la alimentación de red que ha de ser utilizada responda a las exigencias de corriente especificadas en la placa de características del producto.
2. **Conmutador de alimentación**
Asegurarse de que el conmutador de alimentación esté en la posición OFF (desconectado). Si la clavija está conectada en la caja del enchufe mientras el conmutador de alimentación está en posición ON (conectado) las herramientas eléctricas empezarán

a trabajar inmediatamente, provocando un serio accidente.

3. Cable de prolongación

Cuando está alejada el área de trabajo de la red de alimentación, usar un cable de prolongación de un grosor y potencia nominal suficiente. El cable de prolongación debe ser mantenido lo más corto posible.

4. Montar y ajustar la cubierta protectora de muela

La cubierta protectora de muela es un dispositivo protector para evitar heridas, en caso de que la muela de alisado se quiebre durante la operación. Asegurarse de que la cubierta protectora esté bien montada y apretada antes de comenzar con la operación de alisado.

Al soltar un poco el tornillo de ajuste, deja de girar la cubierta protectora de muela, por lo que se podrá poner en cualquier ángulo deseado para una efectividad máxima operacional. Asegurarse de que el tornillo de ajuste esté apretado firmemente después de ajustar la cubierta protectora.

5. Asegúrese de que las muelas y las puntas montadas se encuentren instaladas de acuerdo con las instrucciones del fabricante.

Asegurarse de que la muela de alisado a utilizar sea de tipo correcto y libre de rajadas o defectos de superficie. También asegurarse de que la muela de alisado esté montada debidamente y que la contratuerca de muela esté apretada firmemente. Dirigirse a la sección de "montaje de muela de alisado".

Asegúrese de que se utilicen discos de papel secante cuando estén provistos con el producto abrasivo ligado, y cuando sean requeridos.

No utilice casquillos reductores ni adaptadores para adaptar las muelas abrasivas de gran orificio.

Para las herramientas que se han de montar con muelas de orificio roscado, asegúrese de que la rosca de la muela sea lo suficientemente larga para poder aceptar el largo del husillo.

No utilice la muela de corte para el rectificado lateral.

6. Realizar una prueba

Asegúrese de que los productos abrasivos estén correctamente montados y apretados antes del uso, y haga funcionar la herramienta sin carga durante 30 segundos en una posición segura. Apáguela inmediatamente si nota una vibración considerable u otros defectos. Si se produce esta condición, inspeccione la herramienta para determinar la causa.

7. Confirme el botón

Confirme que el botón pulsador esté desactivado presionando el botón pulsador dos o tres veces antes de conectar la alimentación de la herramienta eléctrica (vea la Fig. 2).

8. Instalación del asidero lateral

Atornille el asidero lateral en la cubierta de engranaje.

○ Cuando trabaje en ambientes polvorientos, asegúrese de que las aberturas de ventilación se mantengan libres de obstrucciones.

Si llegara a ser necesario eliminar el polvo, primero desconecte la herramienta del tomacorriente de la red (use objetos no metálicos) y evite que se dañen las piezas internas.

○ Asegúrese de que las chispas resultantes del uso no representen peligro alguno, por ejemplo, que no alcancen a las personas, ni que incendien sustancias inflamables.

○ Utilice siempre protectores oculares y auriculares. Otros equipos de protección personal, como máscara contra el polvo, guantes, casco y delantal se deben usar según se requiera.

En caso de dudas, utilice el equipo de protección.

○ Cuando no se usa la máquina, debe estar desconectada de la acometida de red.

MONTAJE Y DESMONTAJE DE LA MUELA ALISADO (Fig. 2)

PRECAUCION Cerciórese de desconectar la alimentación y desenchufe el enchufe de la toma de alimentación de la red para evitar averías serias.

1. Montaje (Fig. 2)

(1) Coloque la amoladora angular boca abajo de manera que el eje quede hacia arriba.

(2) Alinee la distancia entre caras de la arandela de rueda con la parte muescada del eje, y luego fíjelas.

(3) Enrosque la tuerca de rueda en el eje.

(5) Mientras empuja el botón pulsador con una mano, bloquee el eje haciendo girar lentamente la rueda de disco abombado con una mano.

Apriete la tuerca de rueda utilizando la llave suministrada, de la manera mostrada en la Fig. 2.

2. Desmontaje

Seguir los procedimientos antedichos a la inversa.

PRECAUCIONES

○ Confirme que la muela de alisado esté firmemente montada.

○ Confirmar que el botón esté desactivado presionando el botón dos o tres veces antes de conectar la alimentación de la herramienta eléctrica.

APLICACION PRACTICA DEL ALISADOR

1. Presión

Para prolongar la vida de la máquina y asegurar un acabado de primera clase, es importante que la máquina no sea recalentada aplicando demasiada presión. En la mayoría de las aplicaciones el sólo peso de la máquina, es suficiente para un alisado efectivo. Demasiada presión ocasionaría una reducida velocidad rotacional, inferior acabado de superficie y recalentamiento que reduciría la vida de la máquina.

2. Angulo de alisado

No aplicar toda la superficie de la muela de alisado al material a alisar. Como muestra en Fig. 1, la máquina deberá ser mantenida en un ángulo de 15° - 30° de tal manera que el canto externo de la muela de alisado contacte la pieza de trabajo en un ángulo óptimo.

3. Para prevenir que una nueva muela de alisado cave la pieza de trabajo, el alisado inicial debe ser llevado a cabo tirando de la amoladora por encima de la pieza de trabajo hacia el operario (Fig. 1 dirección B). Una vez que el canto directriz de la muela de alisado esté bien raspado, el alisado puede ser realizado en cualquier dirección.

4. Precauciones inmediatamente después de haber acabado la operación.

La muela continuará girando después de apagar la herramienta.

Después de desconectar la máquina no posarla antes de que la muela de alisado se haya parado completamente. Aparte de evitar serios accidentes, esta precaución reduciría la cantidad de polvo y limaduras absorbidos por la máquina.

PRECAUCIONES

○ Compruebe que la pieza de trabajo esté correctamente soportada.

MANTENIMIENTO E INSPECCION

1. Inspeccionar la muela de alisado

Asegurarse de que la muela de alisado esté libre de rajaduras y defectos en la superficie.

2. Inspeccionar los tornillos de montaje:

Regularmente inspeccionar todos los tornillos de montaje y asegurarse de que estén apretados firmemente. Si cualquier tornillo estuviera suelto, volver a apretarlo inmediatamente. El no hacer esto provocaría un riesgo serio.

3. Inspección de escobillas de carbón: (Fig. 3)

El motor emplea carbones de contacto que son partes consumibles. Como un carbón de contacto excesivamente desgastado podría dar problemas al motor, reemplazar el carbón de contacto por uno nuevo, que tenga el mismo número mostrado en la figura, cuando se haya desgastado o esté cerca del límite de uso. Adicionalmente, mantener siempre

los carbones de contacto limpios y asegurarse de que corran libremente dentro de los sujetadores de carbón.

4. Reemplazar el carbón de contacto:

Quitar la cápsula de carbón con un destornillador con cabeza pequeña. El carbón de contacto se deja luego se quita fácilmente.

5. Mantenimiento de motor

La unidad de bobinado del motor es el verdadero "corazón" de las herramientas eléctricas. Prestar el mayor cuidado a asegurarse de que el bobinado no se dañe y/o se humedezca con aceite o agua.

6. Lista de repuestos

PRECAUCIÓN

La reparación, modificación e inspección de las herramientas eléctricas Hitachi deben ser realizadas por un Centro de Servicio Autorizado de Hitachi. Esta lista de repuestos será de utilidad si es presentada junto con la herramienta al Centro de Servicio Autorizado de Hitachi, para solicitar la reparación o cualquier otro tipo de mantenimiento. En el manejo y el mantenimiento de las herramientas eléctricas, se deberán observar las normas y reglamentos vigentes en cada país.

MODIFICACIONES

Hitachi Power Tools introduce constantemente mejoras y modificaciones para incorporar los últimos avances tecnológicos.

Por consiguiente, algunas partes pueden ser modificadas sin previo aviso.

OBSERVACION

Debido al programa continuo de investigación y desarrollo de HITACHI éstas especificaciones están sujetas a cambio sin previo aviso.

Información sobre el ruido propagado por el aire y vibración

Los valores medidos fueron determinados de acuerdo con EN50144.

El nivel de presión acústica de ponderación A típico: 88 dB (A)

El nivel de potencia acústica de ponderación A típico: 101 dB (A)

Utilice protectores para los oídos.

El valor de aceleración de ponderación media cuadrática típico no sobrepasa 2,5 m/s².

PRECAUÇÕES GERAIS QUANTO À OPERAÇÃO

ATENÇÃO! Ao utilizar ferramentas elétricas, observe determinadas medidas básicas de segurança, para se evitar o risco de incêndio, choques elétricos e acidentes pessoais, inclusive os que se seguem.

Leia todas estas instruções antes de utilizar este equipamento, conservando-as depois em seu poder.

Para operações seguras:

1. Mantenha o local de trabalho arrumado. A desordem no local de trabalho pode ser motivo de acidente.
2. Leve em consideração o ambiente que o rodeia. Não exponha as ferramentas elétricas à chuva. Não utilize ferramentas elétricas em locais úmidos ou molhados. Trabalhe em local bem iluminado. Não utilize ferramentas elétricas em locais onde haja risco de incêndios ou explosões.
3. Evite choques elétricos. Evite o contato com superfícies ligadas à terra. (p.ex. tubos, radiadores, fogões, refrigeradores).
4. Mantenha crianças e enfermos afastados. Não deixe que terceiros toquem na ferramenta ou no cabo elétrico. Não permita que estranhos permaneçam no local de trabalho.
5. Guarde as ferramentas que não estão sendo utilizadas. As ferramentas que não estão sendo utilizadas devem ser guardadas em local seco, alto ou fechado, fora do alcance de crianças e enfermos.
6. Não sobrecarregue a ferramenta. O trabalho será melhor e mais seguro se forem observados os limites indicados para cada ferramenta.
7. Utilize ferramentas apropriadas. Não use ferramentas pequenas ou acessórios para trabalhos pesados. Não empregue ferramentas em trabalhos e para fins a que não se destinam; não se sirva, por exemplo, de uma serra circular manual para cortar galhos ou troncos de árvores.
8. Escolha vestuário apropriado para o trabalho. Não use roupas largas ou jóias, pois podem prender-se em alguma peça móvel. Nos trabalhos externos aconselha-se o uso de luvas de borracha e sapatos que não escorreguem. Se tiver cabelo comprido, prenda-os com uma rede.
9. Utilize óculos de proteção. Coloque também máscara para o rosto ou contra a poeira durante os trabalhos que propiciam a formação de pó.
10. Conecte equipamento de extração de poeira. Se forem fornecidos dispositivos para a conexão de equipamentos de extração de poeira e aspirador de pó certifique-se de que estão conectados e usados de maneira apropriada.
11. Não force o cabo elétrico. Nunca transporte a ferramenta pelo cabo e não o puxe para tirar o plugue da tomada. Proteja o cabo contra o calor e evite o seu contato com óleo e objetos cortantes.
12. Mantenha fixa a peça a trabalhar. Utilize dispositivos de fixação ou uma morsa para prender a peça a trabalhar. É mais seguro do que a fixação manual e permite manejar a ferramenta com ambas as mãos.
13. Controle sua posição. Escolha uma posição segura e mantenha sempre o equilíbrio.
14. Efetue uma manutenção cuidadosa das ferramentas. Tenha as ferramentas sempre afiadas e limpas para que possa trabalhar bem e em segurança. Siga as instruções para lubrificação e troca de acessórios. Inspeccione periodicamente os cabos elétricos da ferramenta e, se estiverem danificados, mande-os para conserto nas oficinas autorizadas. Mantenha as empunhadeiras secas, limpas e livres de óleo e graxa.
15. Não mantenha a ferramenta ligada à rede. Quando não estiver em uso ou ao trocar de acessório como, por exemplo, cortadores, brocas e lâminas, mantenha a máquina desligada da rede.
16. Retire as chaves de ajuste. Habitue-se a verificar se as chaves de ajuste foram retiradas da ferramenta antes de fazer a ligação.
17. Evite ligações despropositadas. Não transporte ferramentas ligadas à corrente com o dedo colocado no interruptor de comando. Antes de ligar a ferramenta à rede, certifique-se de que o interruptor de comando está desligado.
18. Utilize cabos de extensão para uso externo. Ao ar livre, utilize apenas um cabo de extensão próprio para este fim.
19. Mantenha-se sempre alerta. Ao sentir-se cansado, não utilize a ferramenta.
20. Verifique se as peças apresentam danos. Antes de continuar a utilizar a ferramenta, verifique cuidadosamente se os dispositivos de proteção e peças que apresentam pequenos danos estão operacionais. Veja se as peças móveis estão alinhadas, se movimentando com fluência, se existem peças danificadas, se estão perfeitamente montadas ou se existem quaisquer outros problemas que possam afetar sua operação. Todas as peças e dispositivos de proteção que não estejam funcionando perfeitamente devem ser consertados ou substituídos numa oficina autorizada, a menos que haja indicações contrárias nestas instruções de uso. Não utilize a ferramenta se o interruptor não ligar nem desligar.
21. Atenção
A utilização de quaisquer acessórios ou aparelhos adicionais que não se encontrem nestas instruções de uso podem apresentar riscos de acidentes pessoais.
22. Utilize os serviços de pessoas qualificadas. Esta ferramenta elétrica está de acordo com os requisitos de segurança apropriados. Os consertos devem ser apenas realizados por pessoal qualificado, utilizando peças sobressalentes originais. Caso contrário, o usuário pode estar correndo um risco considerável.

PRECAUÇÕES NO USO DA REBARBADORA

1. Nunca acione estas ferramentas elétricas sem os protetores de esmeril.
2. Verifique se a velocidade marcada no disco é igual ou superior à velocidade nominal da rebarbadora. Utilize apenas o esmeril que estiver calibrado para 80 m/s (72 m/s somente para debarbadora de 100 mm) ou mais.
3. Assegure-se de que as dimensões do esmeril são compatíveis com as da rebarbadora e de que o esmeril cabe no eixo.
4. Os discos abrasivos devem ser armazenados e manuseados com cuidado, seguindo as instruções do fabricante.
5. Antes de utilizar a ferramenta, inspecione o esmeril e não use produtos lascados, rachados ou com outro defeito qualquer.
6. Segure sempre com firmeza a empunhadura do corpo e a empunhadura lateral da ferramenta elétrica. Se isto não for feito, a força contrária produzida pode resultar numa operação imprecisa e até mesmo perigosa.
7. Não utilize esmeris de corte para retificação lateral.
8. Não utilize redutores de escovas separados ou adaptadores para encaixar orifícios grandes de discos abrasivos.
9. O disco continua a girar depois que a ferramenta é desligada.

ESPECIFICAÇÕES

Modelo	G10SR2	G12SR2	G13SR2
Voltagem (por áreas)*	(110V, 120V, 220V, 230V, 240V) \cup		
Potência de entrada*	650 W		
Rotação sem carga	11000 min ⁻¹		10000 min ⁻¹
Esmeril	Diâmetro externo x diâmetro do furo	100 x 16 mm	115 x 22 mm
	Velocidade periférica	72 m/s	80 m/s
Peso (Somente do corpo principal)	1,4 kg		

*Não deixe de verificar a voltagem na placa identificadora constante do produto, pois ela está sujeita a mudanças conforme a área.

ACESSÓRIOS-PADRÃO

- (1) Chave inglesa 1
 (2) Empunhadura lateral 1
 Os acessórios-padrão estão sujeitos a mudanças sem aviso prévio.

APLICAÇÕES

- Tira rebarbas de fundição e faz acabamento de vários tipos de aço, bronze e alumínio e obras de fundição.
- Retifica partes soldadas ou seções cortadas por meio de um maçarico de recorte.
- Retifica resinas sintéticas, ardósia, tijolo, mármore, etc.

ANTES DA OPERAÇÃO

1. Fonte de energia

Certifique-se de que a fonte de energia a ser utilizada está conforme às exigências especificadas na placa identificadora do produto.

2. Interruptor

Certifique-se de que o interruptor está na posição desligada. Se o plugue estiver conectado a um receptáculo quando o interruptor estiver ligado, a ferramenta elétrica vai começar a operar imediatamente, podendo provocar um grave acidente.

3. Cabo de extensão

Quando o local de trabalho não possuir uma fonte de energia, utilize um cabo de extensão de espessura

e de potência nominal suficientes. A extensão deve ser mantida tão curta quanto possível.

4. Colocação e ajuste da proteção de roda

A proteção de roda é um dispositivo para evitar ferimentos caso o esmeril quebre durante a operação. Certifique-se de que o protetor está colocado e preso corretamente antes de começar a operação de esmerilhamento.

Ao desapertar levemente o parafuso de ajuste, a proteção de roda pode ser girada e posta em qualquer ângulo desejado para uma máxima eficácia operacional. Não deixe de verificar se o parafuso de ajuste está firmemente apertado depois de ajustar a proteção de roda.

5. Assegure-se de que os discos montados e os pontos estão ajustados de acordo com as instruções do fabricante.

Certifique-se de que o esmeril a ser utilizado é do tipo certo, livre de fissuras ou defeitos na superfície. Não esqueça também de verificar se o esmeril está montado corretamente e se a arruela de roda está bem apertada. Consulte a seção "Montagem do esmeril".

Quando forem fornecidas costaneiras junto com o produto abrasivo — e se forem necessárias — assegure-se de que estão sendo usadas.

Não utilize adaptadores ou bocais redutores separados para diminuir um orifício grande do esmeril.

Em caso de ferramentas que devem ser ajustadas a discos que possuem orifícios rosqueados, certifique-se de que a rosca do disco é comprida o suficiente em relação ao comprimento do eixo.

Não utilize discos de corte para esmerilhamento lateral.

6. Teste de funcionamento

Certifique-se de que o produto abrasivo está montado de maneira correta e apertado antes de ser utilizado. Coloque em funcionamento a ferramenta sem carga por 30 segundos numa posição segura e, se houver vibração considerável ou se forem detectados outros defeitos, desligue-a imediatamente.

Caso isto ocorra, cheque a máquina para determinar a causa do defeito.

7. Verifique o botão de pressão

Confirme que o botão de pressão está desengatado apertando-o duas ou três vezes antes de ligar a ferramenta (veja Fig. 2).

8. Para prender a empunhadura lateral

Aparafuse a empunhadura lateral na tampa do equipamento.

- Certifique-se de que as faíscas resultantes do uso não provoquem perigo, não atingindo, por exemplo, pessoas ou substâncias inflamáveis.
 - Utilize sempre óculos de segurança e protetores de ouvido, e, quando necessário outros equipamentos de proteção como luvas, avental e capacete.
 - Utilize sempre óculos de proteção e tampões de ouvido.
- Outros equipamentos pessoais de proteção como máscara contra poeira, luvas, capacete e avental devem ser usados quando necessário.
- Em caso de dúvida, use equipamento de proteção.
- Quando a máquina não estiver sendo usada, deve ficar desligada da rede de eletricidade.

MONTAGEM E DESMONTAGEM DO ESMERIL CENTRAL (Fig. 2)

CUIDADO Certifique-se de desligar e desconectar o plugue da tomada evitando assim a ocorrência de graves acidentes.

1. Montagem (Fig. 2)

- (1) Gire a rebarbadora de cabeça para baixo de maneira que o eixo fique virado para cima.
 - (2) Alinhe as reentrâncias transversais da porca de roda com a parte dentada do eixo, prendendo-os depois.
 - (3) Ajuste a protuberância do esmeril na porca de roda.
 - (4) Aparafuse a arruela de roda no eixo.
 - (5) Ao mesmo tempo em que aperta o botão de pressão com uma mão, com a outra, gire lentamente o esmeril para fixar o eixo.
- Aperte bem a arruela de roda usando a chave fornecida, como mostra a Fig. 2.

2. Desmontagem

Siga os procedimentos acima fazendo as operações ao contrário.

CUIDADOS

- Verifique se o esmeril está montado firmemente.
- Verifique se o botão de pressão está desengatado apertando o botão de pressão duas ou três vezes antes de ligar a ferramenta elétrica.

MANUTENÇÃO E INSPEÇÃO

1. Inspeção do esmeril

Certifique-se de que o esmeril está livre de fissuras e defeitos na superfície.

2. Inspeção dos parafusos de montagem

Inspeccione regularmente todos os parafusos de montagem e se certifique de que estão corretamente apertados. Se algum deles estiver frouxo, reaperte-o imediatamente. Caso isso não seja feito, pode resultar em perigo grave.

3. Inspeção das escovas de carvão (Fig. 3)

O motor emprega escovas de carvão que são peças de consumo. Como uma escova de carvão excessivamente desgastada pode provocar problemas no motor, troque-a por uma nova que tenha o mesmo número mostrado na ilustração. Além disso, mantenha as escovas de carvão sempre limpas e certifique-se de que elas deslizam livremente nos suportes de escova.

4. Troca de escovas de carvão:

Desmonte a proteção da escova com uma chave

APLICAÇÃO PRÁTICA DA REBARBADORA

1. Pressão

Para prolongar a vida útil da máquina e garantir um acabamento de primeira, é importante que ela não seja sobrecarregada pela aplicação de demasiada pressão. Na maior parte das aplicações, apenas o peso da máquina é suficiente para um esmerilhamento eficaz. Uma pressão demasiada pode resultar numa velocidade de rotação reduzida, um acabamento inferior da superfície e a sobrecarga que pode reduzir a vida útil da máquina.

2. Ângulo do esmerilhamento

Não aplique a superfície inteira do esmeril no material a ser esmerilhado. Conforme mostra a Fig. 1, a máquina deve ser mantida num ângulo de 15°–30° de maneira que a borda externa do esmeril entre em contato com o material num ângulo ideal.

3. Para evitar que um novo esmeril abra um buraco na peça que está sendo trabalhada, o esmerilhamento inicial deve ser feito puxando a rebarbadora por sobre a peça em direção ao operador. (Fig. 1, direção B). Uma vez que a borda de entrada do esmeril estiver limada corretamente, o esmerilhamento pode ser feito numa ou noutra direção.

4. Precauções a serem tomadas imediatamente depois de terminar a operação

O disco continua a girar depois que a ferramenta é desligada.

Logo após desligar a máquina, continue segurando-a, sem apoiá-la, até que o esmeril pare completamente de funcionar. Além de evitar graves acidentes, esta precaução reduzirá a quantidade de poeira e de limalhas de ferro aspiradas pela máquina.

CUIDADOS

- Verifique se a peça a ser trabalhada está apoiada corretamente.
 - Assegure-se de que as aberturas de ventilação são mantidas limpas ao trabalhar em condições de poeira.
- Caso seja necessário limpar a poeira, desconecte primeiro a ferramenta da rede elétrica (use objetos não metálicos) e evite danificar as peças internas.

de fenda. As escovas de carvão podem, então, ser facilmente removidas.

5. **Manutenção do motor**

A unidade de enrolamento do motor é o verdadeiro “coração” da ferramenta elétrica. Cuide bem para assegurar que o enrolamento não se danifique e/ou se molhe com óleo ou água.

6. **Lista de peças para conserto**

CUIDADO

Consertos, modificações e inspeção de Ferramentas Elétricas da Hitachi devem ser realizados por uma Oficina Autorizada da Hitachi.

Esta lista de peças pode ser útil se apresentada com a ferramenta na Oficina Autorizada da Hitachi ao solicitar conserto ou manutenção.

Na operação e na manutenção das ferramentas elétricas, devem-se observar as normas de segurança e os padrões prescritos por cada país.

MODIFICAÇÃO

As Ferramentas Elétricas da Hitachi estão sempre sendo aperfeiçoadas e modificadas para incorporar os mais recentes avanços tecnológicos.

Dessa forma, algumas peças podem mudar sem aviso prévio.

NOTA

Devido ao contínuo programa de pesquisa e desenvolvimento da HITACHI, as especificações aqui contidas estão sujeitas a mudanças sem aviso prévio.

Informação a respeito de ruídos e vibração do ar

Os valores medidos foram determinados de acordo com EN50144.

Nível típico de pressão sonora de peso A: 88 dB (A)

Nível típico de energia sonora de peso A: 101 dB (A)

Use protetores de ouvido.

O valor típico da aceleração média ponderada da raiz quadrada não excede 2,5 m/s².

ΓΕΝΙΚΑ ΜΕΤΡΑ ΑΣΦΑΛΕΙΑΣ ΚΑΤΑ ΤΗ ΛΕΙΤΟΥΡΓΙΑ

ΚΙΝΔΥΝΟΣ! Κατά τη χρήση ηλεκτρικών εργαλείων, τα βασικά μέτρα ασφαλείας πρέπει πάντοτε να ακολουθούνται για την ελάττωση του κινδύνου της πυρκαγιάς, της ηλεκτροπληξίας και του ατομικού τραυματισμού, συμπεριλαμβανομένων των παρακάτω. Διαβάστε όλες αυτές τις οδηγίες πριν θέσετε σε λειτουργία αυτό το προϊόν και φυλάξτε αυτές τις οδηγίες.

Για ασφαλείς λειτουργίες:

1. Διατηρήστε τον χώρο εργασίας καθαρό. Οι ακατάστατοι χώροι και πάγκοι εργασίας έχουν την τάση να προκαλούν τραυματισμούς.
2. Λάβετε υπόψην το περιβάλλον εργασίας. Μην εκθέσετε τα ηλεκτρικά εργαλεία στη βροχή. Μην χρησιμοποιήσετε ηλεκτρικά εργαλεία σε υψομέτρους ή υγρές περιοχές. Κρατήστε το χώρο εργασίας καλά φωτισμένο. Μην χρησιμοποιήσετε τα ηλεκτρικά εργαλεία σε χώρο όπου υπάρχει κίνδυνος φωτιάς ή έκρηξης.
3. Φυλαχτείτε ενάντια στην ηλεκτροπληξία. Αποφύγετε την σωματική επαφή με γειωμένες επιφάνειες, (π.χ. σωλήνες, θερμάστρες, μαγειρικές συσκευές, ψυγεία).
4. Κρατήστε τα παιδιά και τους σωματικά καταβεβλημένους ανθρώπους μακριά. Μην αφήνεται τους επισκέπτες να αγγίζουν το εργαλείο ή το καλώδιο προέκτασης. Όλοι οι επισκέπτες πρέπει να κρατιούνται μακριά από το χώρο εργασίας.
5. Αποθηκεύστε τα εργαλεία που δεν βρίσκονται σε λειτουργία. Όταν δεν χρησιμοποιούνται τα εργαλεία πρέπει να αποθηκεύονται σε ένα χώρο που είναι στεγνός, βρίσκεται σε μια ψηλή θέση ή είναι κλειδωμένος, μακριά από την πρόσβαση των παιδιών και των σωματικά καταβεβλημένων ανθρώπων.
6. Μην ασκήσετε βία στο εργαλείο. Θα πραγματοποιήσει την εργασία καλύτερα και με μεγαλύτερη ασφάλεια στο ρυθμό για τον οποίο σχεδιάστηκε.
7. Χρησιμοποιήστε το κατάλληλο εργαλείο. Μην προσπαθήσετε βίαια με μικρά εργαλεία ή προσαρτήματα να κάνετε τη δουλειά ενός εργαλείου σχεδιασμένο για βαριές δουλειές. Μην χρησιμοποιήσετε εργαλεία για δουλειές για τις οποίες δεν προορίζονται. Για παράδειγμα μην χρησιμοποιήσετε ένα κόφτη για να κόψετε κλαδιά δέντρου ή κούτσουρα.
8. Ντυθείτε κατάλληλα. Μην φοράτε φαρδιά ρούχα ή κοσμήματα, αυτά μπορούν να πιαστούν στα μετακινούμενα μέρη. Λασιτζένια γάντια και μη ολισθηρά υποδήματα συνιστώνται όταν εργάζεστε σε εξωτερικούς χώρους. Φορέστε ένα προστατευτικό κάλυμμα μαλλιών για να καλύψετε τα μακριά μαλλιά.
9. Χρησιμοποιήστε προστατευτικό ματιών. Επίσης χρησιμοποιήστε μάσκα προσώπου ή σκόνης αν η εργασία της κοπής θα προκαλέσει σκόνη.
10. Συνδέστε ένα εξαρτήμα εξαγωγής σκόνης. Αν παρέχονται εξαρτήματα για την σύνδεση των συσκευών εξαγωγής και συλλογής σκόνης σιγουρευτείτε ότι αυτά είναι συλλεγμένα και ότι χρησιμοποιούνται κατάλληλα.
11. Μην χρησιμοποιήσετε βία στο καλώδιο. Ποτέ μη μεταφέρετε το εργαλείο από το καλώδιο ή το τραβήξετε απότομα για να το αποσυνδέσετε από την υποδοχή. Κρατήστε το καλώδιο μακριά από θερμότητα, λάδι, και κοφτερές γωνίες.

12. Σιγουρευτείτε το αντικείμενο εργασίας σας. Χρησιμοποιήστε σφικτικές ή μια μέγερνη για το κράτημα του αντικείμενου πάνω στο οποίο εργάζεστε. Είναι πιο ασφαλές από το να χρησιμοποιείτε το χέρι σας και επιπρόσθετα ελευθερώνει και τα δυο χέρια για να λειτουργήσετε το εργαλείο.
13. Μην προεκτείνεστε. Διατηρήστε πάντοτε το κατάλληλο πάτημα και ισορροπία.
14. Συντηρείτε τα εργαλεία με προσοχή. Διατηρείτε τα εργαλεία που κόβουν αιχμηρά και καθαρά για καλύτερη και ασφαλέστερη απόδοση. Ακολουθήστε τις οδηγίες για τη λίπανση και την αλλαγή εξαρτημάτων. Ελέγχετε τα καλώδια των εργαλείων περιοδικά και αν έχουν πάθει ζημιά, επισκευάστε τα σε ένα εξουσιοδοτημένο κέντρο επισκευής. Ελέγχετε τα καλώδια περιοδικά και αντικαταστήστε τα αν έχουν πάθει ζημιά. Κρατήστε τις λαβές στεγνές, καθαρές, χωρίς να έχουν λάδι και γράσο.
15. Αποσυνδέστε τα εργαλεία. Όταν δεν χρησιμοποιούνται, πριν από το σέρβις και κατά την αλλαγή εξαρτημάτων όπως λεπίδες, ακίδες, και κόφτες.
16. Αφαιρέστε τα κλειδιά ρυθμιζόμενου ανοίγματος και τα απλά κλειδιά. Έχετε την συνήθεια να ελέγχετε να δείτε αν τα απλά κλειδιά και τα κλειδιά ρυθμιζόμενου ανοίγματος έχουν αφαιρεθεί από το εργαλείο πριν το βάλετε να δουλέψει.
17. Αποφύγετε την άσκοπη εκκίνηση. Μην μεταφέρετε ένα συνδεδεμένο στην μπρίζα εργαλείο με τη σκανδάλη στο χέρι. Βεβαιωθείτε ότι ο διακόπτης είναι κλειστός όταν βάσετε το εργαλείο στη μπρίζα.
18. Χρησιμοποιήστε καλώδια προέκτασης για χρήση σε εξωτερικό χώρο. Όταν το εργαλείο χρησιμοποιείται σε εξωτερικό χώρο χρησιμοποιήστε καλώδια προέκτασης που προορίζονται για χρήση στον εξωτερικό χώρο.
19. Να είστε σε επιμέλεια. Βλέπετε τι κάνετε. Χρησιμοποιήστε τη κοινή λογική. Μην λειτουργείτε το εργαλείο όταν είστε κουρασμένοι.
20. Ελέγξτε τα κατεστραμμένα τμήματα. Πριν την παραέρα χρήση του εργαλείου, ο προφυλακτήρας ή το οποιοδήποτε κομμάτι που έχει πάθει ζημιά πρέπει να ελεγχθεί προσεκτικά για να διαπιστωθεί ότι θα λειτουργήσει κανονικά και θα εκτελέσει την λειτουργία για την οποία προορίζεται. Ελέγξτε την ευθυγράμμιση των κινούμενων τμημάτων, την ελεύθερη κίνηση των κινούμενων τμημάτων, το σπάσιμο των τμημάτων, την στερώση και τις οποιοδήποτε άλλες καταστάσεις που ενδέχεται να επηρεάζουν την λειτουργία του. Ο προφυλακτήρας ή οποιοδήποτε άλλο τμήμα που έχει πάθει ζημιά θα πρέπει να διορθωθεί κατάλληλα ή να αντικατασταθεί από ένα εξουσιοδοτημένο για σέρβις κέντρο εκτός και αν υπάρχει ένδειξη για κάτι άλλο σε αυτές τις οδηγίες χειρισμού. Αντικαταστήστε τους ελαττωματικούς διακόπτες από ένα εξουσιοδοτημένο για σέρβις κέντρο. Μην χρησιμοποιήσετε το εργαλείο αν ο διακόπτης δεν το βάζει σε εκκίνηση και δεν το κλείνει.
21. Κίνδυνος
Η χρήση οποιονδήποτε εξαρτημάτων ή προσαρτημάτων εκτός από αυτά που συνιστώνται σε αυτές τις οδηγίες χειρισμού, μπορεί να προκαλέσει τον κίνδυνο προσωπικού τραυματισμού.
22. Επισκευάστε το εργαλείο σας σε ένα έμπειρο πρόσωπο. Αυτό το ηλεκτρικό εργαλείο είναι εναρμονισμένο με τους σχετικούς κανόνες ασφαλείας. Η επισκευή θα πρέπει να γίνεται μόνον από έμπειρα άτομα που χρησιμοποιούν αυθεντικά ανταλλακτικά. Διαφορετικά μπορεί να προκληθεί σημαντικός κίνδυνος για τον χρήστη.

ΠΡΟΦΥΛΑΚΤΙΚΑ ΜΕΤΡΑ ΠΑΝΩ ΣΤΗ ΧΡΗΣΗ ΤΟΥ ΔΙΣΚΟΥ ΛΕΙΑΝΣΗΣ

1. Ποτέ να μην θέσετε σε λειτουργία αυτά τα ηλεκτρικά εργαλεία χωρίς να έχουν τους Προφυλακτήρες των Τροχών.
2. Ελέγξτε ότι η ταχύτητα που είναι σημειωμένη στον τροχό είναι ίση ή μεγαλύτερη από την εκτιμώμενη ταχύτητα του λειαντή.
Χρησιμοποιήστε μόνο τους κεντρικά χαμηλωμένους τροχούς με εκτιμώμενη ταχύτητα 80 m/s (72 m/s μόνο για τους 100 mm δίσκους λείανσης) ή περισσότερο.
3. Βεβαιωθείτε ότι οι διαστάσεις του τροχού είναι συμβατές με αυτές του λειαντή και ότι ο τροχός ταιριάζει στον άξονα.
4. Οι λειαντικοί τροχοί θα πρέπει να αποθηκεύονται και να χειρίζονται με προσοχή σύμφωνα με τις οδηγίες του κατασκευαστή.

ΤΕΧΝΙΚΑ ΧΑΡΑΚΤΗΡΙΣΤΙΚΑ

Μοντέλο	G10SR2	G12SR2	G13SR2
Τάση (ανά περιοχές)*	(110V, 120V, 220V, 230V, 240V) ~		
Ισχύς εισόδου*	650 W		
Ταχύτητα χωρίς φορτίο	11000 min ⁻¹		10000 min ⁻¹
Τροχός	Εξωτερική διάμετρος × διαμ. τρύπας	100 × 16 mm	115 × 22 mm
	Περιφερειακή ταχύτητα	72 m/s	80 m/s
Βάρος (Μόνο του κυρίου μέρους)	1,4 kg		

* Βεβαιωθείτε να ελέγξετε την πινακίδα στο προϊόν επειδή υπόκεινται σε αλλαγή σε εξάρτηση από την περιοχή.

ΚΑΝΟΝΙΚΑ ΕΞΑΡΤΗΜΑΤΑ

- (1) Κλειδί..... 1
 - (2) Πλευρική λαβή..... 2
- Τα κανονικά εξαρτήματα υπόκεινται σε αλλαγή χωρίς προειδοποίηση.

ΕΦΑΡΜΟΓΕΣ

- Αφαίρεση των υλικών που παραμένουν στις οπές χυτών αντικειμένων και τελειώματα διάφορων τύπων ατσάλιου, χαλκού και υλικών αλουμινίου και χυτών υλικών.
- Λείανση ηλεκτροκολλημένων τμημάτων ή τμημάτων που έχουν κοπεί από φλόγιστρο.
- Λείανση συνθετικών ρητινών, σχιστόλιθο, τούβλο, μάρμαρο κλπ.

ΠΡΙΝ ΤΗ ΛΕΙΤΟΥΡΓΙΑ

1. **Πηγή ρεύματος**
Βεβαιωθείτε ότι η πηγή ρεύματος που πρόκειται να χρησιμοποιηθεί είναι αναρμονισμένη με τις απαιτήσεις σε ρεύμα που αναφέρεται στην πινακίδα του εργαλείου.
2. **Διακόπτης ρεύματος**
Βεβαιωθείτε ότι ο διακόπτης ρεύματος βρίσκεται στη θέση OFF. Αν το βίσμα είναι στη μπρίζα καθώς ο διακόπτης ρεύματος βρίσκεται στο ON, το

5. Ελέγξτε τον τροχό λείανσης πριν τη χρήση, μην χρησιμοποιήσετε σπασμένα στα άκρα, ραγισμένα ή ελαττωματικά προϊόντα.
6. Πάντοτε κρατάτε σταθερά τη λαβή του κορμού και την πλευρική λαβή του ηλεκτρικού εργαλείου. Διαφορετικά η αντίρροπη δύναμη που παράγεται μπορεί να προκαλέσει την λανθασμένη και ενδεχόμενα επικίνδυνη λειτουργία.
7. Μην χρησιμοποιήσετε τροχούς κοπής για πλευρική λείανση.
8. Μην χρησιμοποιήσετε ξεχωριστούς μειωτικούς δακτυλίους ή προσαρμογείς για να προσαρμόσετε λειαντικούς τροχούς με μεγάλη τρύπα.
9. Ο τροχός συνεχίζει να περιστρέφεται αφότου το μηχάνημα έχει σβήσει.

εργαλείο θα αρχίσει να λειτουργεί αμέσως, με πιθανότητα πρόκλησης σοβαρού ατυχήματος.

3. Καλώδιο προέκτασης

Όταν ο χώρος εργασίας βρίσκεται μακριά από την παροχή ρεύματος. Χρησιμοποιήστε ένα καλώδιο προέκτασης με κατάλληλο πάχος και ικανότητα μεταφοράς ρεύματος. Το καλώδιο προέκτασης πρέπει να είναι τόσο κοντό όσο είναι πρακτικά δυνατό.

4. Τοποθέτηση και ρύθμιση του προφυλακτήρα του τροχού

Ο προφυλακτήρας του τροχού είναι μια προστατευτική συσκευή για την αποφυγή τραυματισμού στην περίπτωση που ο χαμηλωμένος κεντρικά τροχός θρυμματιστεί κατά την λειτουργία. Βεβαιωθείτε ότι ο προφυλακτήρας είναι κατάλληλα συνδεδεμένος και στερεωμένος πριν εκτελέσετε την λειτουργία της λείανσης.

Ξεσφίγγοντας ελαφρά την ρυθμιστική βίδα, ο προφυλακτήρας του τροχού μπορεί να περιστραφεί και να ρυθμιστεί στην επιθυμητή γωνία για την εξασφάλιση της μέγιστης λειτουργικής απόδοσης. Βεβαιωθείτε ότι η ρυθμιστική βίδα είναι καλά σφιγμένη μετά την ρύθμιση του προφυλακτήρα του τροχού.

5. Βεβαιωθείτε ότι οι τροχοί στερέωσης και τα άκρα έχουν συνδεθεί σύμφωνα με τις οδηγίες του κατασκευαστή.
- Βεβαιωθείτε ότι ο χαμηλωμένος κεντρικά τροχός, που πρόκειται να χρησιμοποιηθεί είναι του σωστού

τύπου και χωρίς ραγίσματα και ατέλειες στην επιφάνεια. Επίσης βεβαιωθείτε ότι ο χαμηλωμένος κεντρικά τροχός έχει στερεωθεί κατάλληλα και το παξιμάδι του τροχού είναι σφιγμένο με ασφάλεια. Ανατρέξτε στο τμήμα “Συναρμολόγηση Χαμηλωμένου Κεντρικά Τροχού”

Βεβαιωθείτε ότι οι δίσκοι προστασίας του τροχού χρησιμοποιούνται όταν παρέχονται με το συγκολλημένο λειαντικό προϊόν και όποτε απαιτούνται.

Μην χρησιμοποιήσετε ξεχωριστά εξαρτήματα ή προσαρμογείς για να προσαρμόσετε λειαντικούς τροχούς με μεγάλη τρύπα.

Για εργαλεία που προορίζονται να δέχονται τροχούς με σπείρωμα, βεβαιωθείτε ότι το σπείρωμα στο τροχό είναι αρκετά μακριά για να δεχτεί το μήκος του άξονα.

Μην χρησιμοποιείτε τροχούς κοπής για πλευρική λείανση.

6. Εκτέλεση δοκιμαστικής χρήσης

Βεβαιωθείτε ότι τα προϊόντα λείανσης είναι σωστά συνδεδεμένα και σφιγμένα πριν από την χρήση και λειτουργήστε το εργαλείο χωρίς φορτίο για 30 δευτερόλεπτα σε μια ασφαλή θέση, σταματήστε αμέσως αν υπάρξει έντονη δόνηση ή αν παρουσιαστούν άλλες ανωμαλίες.

Αν αυτή η κατάσταση συμβεί, εξέγξτε το μηχάνημα για να ανακαλύψετε την αιτία.

7. Επιβεβαιώστε το κουμπί ώθησης.

Βεβαιωθείτε ότι το κουμπί ώθησης δεν είναι ενεργοποιημένο πατώντας το κουμπί ώθησης δυο ή τρεις φορές πριν ξεκινήσετε το εργαλείο. (Δείτε **Εικ. 2**)

8. Στερέωση της πλευρικής λαβής

Βιδώστε την πλευρική λαβή στο κάλυμμα των γρναζιών.

ΠΡΑΚΤΙΚΗ ΕΦΑΡΜΟΓΗ ΤΟΥ ΛΕΙΑΝΤΗ

1. Πίεση

Για την επιμήκυνση του χρόνου ζωής του μηχανήματος και την εξασφάλιση ενός τελειώματος πρώτης ποιότητας, είναι σημαντικό το μηχάνημα να μην υπερφορτώνεται με την άσκηση υπερβολικής πίεσης. Στις περισσότερες εφαρμογές μόνο το βάρος του μηχανήματος είναι αρκετό για μια αποτελεσματική λείανση. Η υπερβολική πίεση θα προκαλέσει την ελάττωση της περιστροφικής ταχύτητας, τελείωμα επιφάνειας κατώτερης ποιότητας, και υπερφόρτωση η οποία θα ελαττώσει τον χρόνο ζωής του μηχανήματος.

2. Γωνία λείανσης

Μην ακουμπήσετε ολόκληρη την επιφάνεια του χαμηλωμένου κεντρικά τροχού στο υλικό το οποίο πρόκειται να λειανθεί. Όπως φαίνεται στην **Εικ. 1** το μηχάνημα πρέπει να κρατιέται σε γωνία 150 – 300 (superscript) έτσι ώστε η εξωτερική άκρη του χαμηλωμένου κεντρικά τροχού να εφάπτεται στο υλικό κατά την βέλτιστη γωνία.

3. Για την αποφυγή του σκαψίματος ενός καινούργιου χαμηλωμένου κεντρικά τροχού πάνω στο αντικείμενο εργασίας, η αρχική λείανση πρέπει να εκτελεστεί τραβώντας τον λειαντή πάνω στο αντικείμενο εργασίας προς το χρήστη (**Εικ. 1 διεύθυνση Β**). Αφότου το μπιστινό άκρο του

χαμηλωμένου κεντρικά τροχού έχει κατάλληλα τριβεί, η λείανση μπορεί να πραγματοποιηθεί κατά την οποιαδήποτε κατεύθυνση.

4. Προφυλακτικά μέτρα αμέσως μετά το τέλος της λειτουργίας.

Ο τροχός συνεχίζει να περιστρέφεται αφότου το εργαλείο τεθεί εκτός λειτουργίας.

Μετά το κλείσιμο της μηχανής, μην το βάλετε κάτω πριν ο χαμηλωμένος κεντρικά τροχός σταματήσει τελείως. Εκτός από την αποφυγή σοβαρών ατυχημάτων, αυτό το μέτρο προφύλαξης θα ελαττώσει τη ποσότητα της σκόνης και τριμμάτων που προσιροφώνται από το μηχάνημα.

ΠΡΟΣΟΧΗ

- Ελέγξτε αν το αντικείμενο εργασίας υποστηρίζεται κατάλληλα.
- Βεβαιωθείτε ότι τα ανοίγματα αερισμού διατηρούνται καθαρά κατά την διάρκεια της εργασίας σε σκοτισμένες περιοχές. Αν είναι απαραίτητο να καθαρίσετε τη σκόνη, πρώτα αποσυνδέστε το εργαλείο από την παροχή ρεύματος (χρησιμοποιήστε μη μεταλλικά αντικείμενα) και αποφυγείτε να προκαλέσετε ζημιά στα εσωτερικά τμήματα.
- Βεβαιωθείτε ότι οι σπίθες που προκαλούνται από τη χρήση δεν δημιουργούν κίνδυνο πχ δεν κτυπούν τους ανθρώπους, ή αναφλέγουν εύφλεκτα υλικά.
- Πάντοτε να φοράτε γυαλιά ασφαλείας και προστατευτικά αυτιών, χρησιμοποιήστε προσωπικό προστατευτικό εξοπλισμό όπως γάντια, ποδιά και κράνος όταν είναι απαραίτητο.
- Πάντοτε να χρησιμοποιείτε προστατευτικά ματιών και αυτιών.
- Άλλος εξοπλισμός προσωπικής προστασίας όπως μάσκα σκόνης, γάντια, κράνος και ποδιά πρέπει να χρησιμοποιείται όταν είναι απαραίτητο. Αν βρίσκατε σε αμφιβολία φορέστε τον προστατευτικό εξοπλισμό.
- Όταν το μηχάνημα δεν χρησιμοποιείται, η πηγή ηλεκτρικού ρεύματος πρέπει να αποσυνδέεται.

ΣΥΝΑΡΜΟΛΟΓΗΣΗ ΚΑΙ ΑΠΟΣΥΝΑΡΜΟΛΟΓΗΣΗ ΤΟΥ ΧΑΜΗΛΩΜΕΝΟΥ ΚΕΝΤΡΙΚΑ ΤΡΟΧΟΥ (Εικ. 2)

ΠΡΟΣΟΧΗ: Βεβαιωθείτε να κλείσετε και να αποσυνδέσετε τον υποδοχέα από την πρίζα για την αποφυγή σοβαρού ατυχήματος.

1. Συναρμολόγηση (Εικ. 2)

- (1) Γυρίστε το λειαντή ανάποδα έτσι ώστε ο άξονας να βλέπει προς τα επάνω.
- (2) Ταίριαστε το διάκενο της ροδέλας του τροχού με το εντεταμημένο τμήμα του άξονα, μετά συνδέστε τα.
- (3) Εφαρμόστε το προεξέχον τμήμα του χαμηλωμένου κεντρικά τροχού πάνω στη ροδέλα του τροχού.
- (4) Βιδώστε το παξιμάδι του τροχού πάνω στον άξονα.
- (5) Καθώς σπρώχνεται το κουμπί ώθησης με το ένα χέρι, ασφαλίστε τον άξονα περιστρέφοντας τον χαμηλωμένο κεντρικά τροχό αργά με το άλλο χέρι. Σφίξτε το παξιμάδι του τροχού χρησιμοποιώντας το παρεχόμενο κλειδί όπως φαίνεται στην **Εικ. 2**.

2. Αποσυναρμολόγηση

Ακολουθήστε τις παραπάνω διαδικασίες αντίστροφα.

ΠΡΟΣΟΧΗ

- Επιβεβαιώστε ότι ο χαμηλωμένος κεντρικά τροχός έχει στερεωθεί καλά.
- Επιβεβαιώστε ότι το κουμπί ώθησης έχει απεμπλακεί σπώχνωντάς το δυο ή τρεις φορές πριν την εκκίνηση του ηλεκτρικού εργαλείου.

ΣΥΝΤΗΡΗΣΗ ΚΑΙ ΕΛΕΓΧΟΣ

- Έλεγχος του χαμηλωμένου κεντρικά τροχού**
Βεβαιωθείτε ότι ο χαμηλωμένος κεντρικά τροχός δεν έχει ραγιόματα ή ατέλειες στην επιφάνεια.
- Έλεγχος των βιδών στερέωσης**
Ελέγχετε περιοδικά όλες τις βίδες στερέωσης και βεβαιωθείτε ότι είναι κατάλληλα σφιγμένες. Στην περίπτωση που χαλαρώσει οποιαδήποτε βίδα σφίξτε την ξανά αμέσως. Αν δεν το κάνετε αυτό μπορεί να έχει ως αποτέλεσμα το σοβαρό τραυματισμό.
- Έλεγχος στα καρβουνάκια (Εικ. 3).**
Το μοτέρ χρησιμοποιεί καρβουνάκια τα οποία είναι αναλώσιμα μέρη. Επειδή ένα υπερβολικά φθαρμένο καρβουνάκι μπορεί να προκαλέσει πρόβλημα στο μοτέρ αντικαταστήστε το καρβουνάκι με καινούργιο το οποίο έχει τον ίδιο Αριθμό Άνθρακα που φαίνεται στην εικόνα όταν φθαρεί ή όταν φτάσει στο όριο φθοράς. Επιπρόσθετα, πάντοτε κρατάτε τα καρβουνάκια καθαρά και εξασφαλίστε ότι ολισθαίνουν ελεύθερα ανάμεσα στις θήκες.
- Αντικατάσταση των καρβουνακίων:**
Αποσυνδέστε τα καλύμματα των καρβουνακίων με ένα κατσαβίδι εγκοπτώμενης κεφαλής. Τα καρβουνάκια μπορούν μετά να αφαιρεθούν εύκολα.
- Συντήρηση του μοτέρ**
Η περιέλιξη της μονάδα του μοτέρ είναι η καρδιά του ηλεκτρικού εργαλείου. Δώστε μεγάλη προσοχή για να σιγουρευτείτε ότι η περιέλιξη δεν θα πάθει ζημιά και / ή θα βρεχθεί με λάδι ή νερό.
- Λίστα συντήρησης των μερών**

ΠΡΟΣΟΧΗ

Η επισκευή, η τροποποίηση και ο έλεγχος των Ηλεκτρικών Εργαλείων Hitachi πρέπει να γίνεται από ένα Εξουσιοδοτημένο κέντρο σέρβις της Hitachi.

Αυτή η λίστα των Μερών θα είναι χρήσιμη αν παρουσιαστεί μαζί με το εργαλείο στο εξουσιοδοτημένο Κέντρο Σέρβις της Hitachi όταν ζητάτε επισκευή ή κάποια άλλη συντήρηση.

Κατά τον έλεγχο και τη συντήρηση των ηλεκτρικών εργαλείων, οι κανόνες ασφαλείας και οι κανονισμοί που υπάρχουν σε κάθε χώρα πρέπει να ακολουθούνται.

ΤΡΟΠΟΠΟΙΗΣΗ

Τα Ηλεκτρικά Εργαλεία Hitachi βελτιώνονται συνεχώς και τροποποιούνται για να συμπεριλάβουν τις τελευταίες τεχνολογικές προόδους.

Κατά συνέπεια, ορισμένα τμήματα μπορούν να αλλάξουν χωρίς προηγούμενη ειδοποίηση.

ΣΗΜΕΙΩΣΗ

Εξαιτίας του συνεχιζόμενου προγράμματος έρευνας και ανάπτυξης της Hitachi τα τεχνικά χαρακτηριστικά που εδώ αναφέρονται μπορούν να αλλάξουν χωρίς προηγούμενη ειδοποίηση.

Πληροφορίες που αφορούν τον εκπαιδόμενο θόρυβο και τη δόνηση.

Οι τιμές μετρήθηκαν σύμφωνα με το EN50144.

Το τυπικό Α-επίπεδο ηχητικής πίεσης: 88 dB (A)

Το τυπικό Α-επίπεδο ηχητικής ισχύος: 101 dB (A)

Φοράτε προστατευτικά αυτιών.

Μια τυπική τιμή ρίζας μέσης τετραγωνικής επιτάχυνσης δεν πρέπει να ξεπερνά 2,5 m/s²

<p>English</p> <p><u>GUARANTEE CERTIFICATE</u></p> <p>① Model No. ② Serial No. ③ Date of Purchase ④ Customer Name and Address ⑤ Dealer Name and Address (Please stamp dealer name and address)</p>	<p>Nederlands</p> <p><u>GARANTIEBEWIJS</u></p> <p>① Modelnummer ② Serienummer ③ Datum van aankoop ④ Naam en adres van de gebruiker ⑤ Naam en adres van de handelaar (Stempel a.u.b. naam en adres vande de handelaar)</p>
<p>Deutsch</p> <p><u>GARANTIESCHEIN</u></p> <p>① Modell-Nr. ② Serien-Nr. ③ Kaufdatum ④ Name und Anschrift des Kunden ⑤ Name und Anschrift des Händlers (Bitte mit Namen und Anschrift des Handlers abstempeln)</p>	<p>Español</p> <p><u>CERTIFICADO DE GARANTIA</u></p> <p>① Número de modelo ② Número de serie ③ Fecha de adquisición ④ Nombre y dirección del cliente ⑤ Nombre y dirección del distribuidor (Se ruega poner el sellú del distribuidor con su nombre y dirección)</p>
<p>Français</p> <p><u>CERTIFICAT DE GARANTIE</u></p> <p>① No. de modèle ② No de série ③ Date d'achat ④ Nom et adresse du client ⑤ Nom et adresse du revendeur (Cachet portant le nom et l'adresse du revendeur)</p>	<p>Português</p> <p><u>CETTIFICADO DE GARANTIA</u></p> <p>① Número do modelo ② Número do série ③ Data de compra ④ Nome e morada do cliente ⑤ Nome e morada do distribuidor (Por favor, carimbe o nome e morada do distribuidor)</p>
<p>Italiano</p> <p><u>CERTIFICATO DI GARANZIA</u></p> <p>① Modello ② N° di serie ③ Data di acquisto ④ Nome e indirizzo dell'acquirente ⑤ Nome e indirizzo del rivenditore (Si prega di apporre il timbro con questi dati)</p>	<p>Ελληνικά</p> <p><u>ΠΙΣΤΟΠΟΙΗΤΙΚΟ ΕΓΓΥΗΣΗΣ</u></p> <p>① Αρ. Μοντέλου ② Αύξων Αρ. ③ Ημερομηνία αγοράς ④ Όνομα και διεύθυνση πελάτη ⑤ Όνομα και διεύθυνση μεταπωλητή (Παρακαλούμε να χρησιμοποιηθεί σφραγίδα)</p>



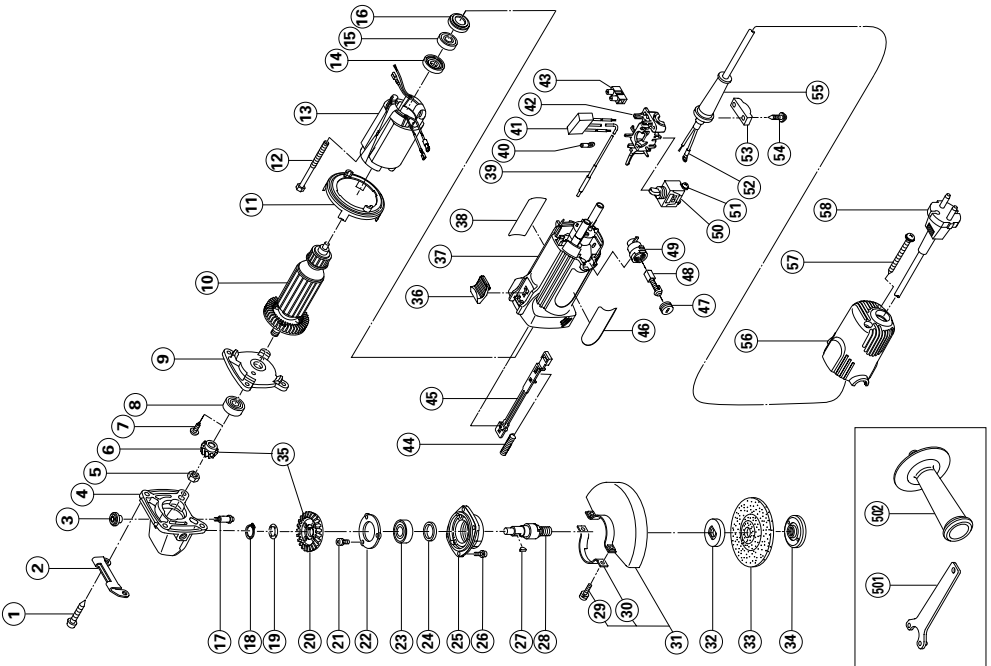
HITACHI

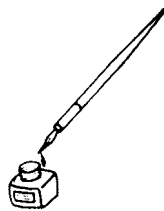
①	
②	
③	
④	
⑤	

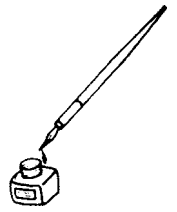




Item No.	Part Name	Q'ty
43	PILLAR TERMINAL	1
44	SPRING	1
45	SLIDE BAR	1
46	HITACHI LABEL	1
47	BRUSH CAP	2
48	CARBON BRUSH	2
49	BRUSH HOLDER	2
50	SWITCH	1
51	MACHINE SCREW (W/WASHER) D3.5 x 6	2
52	TERMINAL	1
53	CORD CLIP	1
54	TAPPING SCREW (W/FLANGE) D4 x 16	1
55	CORD ARMOR	1
56	TAIL COVER	1
57	TAPPING SCREW (W/FLANGE) D4 x 45	4
58	CORD	1
501	WRENCH	1
502	SIDE HANDLE	1

Item No.	Part Name	Q'ty
1	TAPPING SCREW D5 x 25	1
2	GUARD PLATE	1
3	PUSHING BUTTION	1
4	GEAR COVER ASSY	1
5	SPECIAL NUT M7	1
6	PINION	1
7	SLOTTED HD. SCREW (SEAL LOCK) M4 x 10	2
8	BALL BEARING 608WVC2PS2L	1
9	INNER COVER	1
10	ARMATURE	1
11	FAN GUIDE	1
12	HEX. HD. TAPPING SCREW D4 x 70	2
13	STATOR	1
14	DUST SEAL	2
15	BALL BEARING 628WVC2PS2L	1
16	RUBBER BUSHING	1
17	LOCK PIN	1
18	RETAINING RING FOR D11 SHAFT	1
19	WAVE WASHER	1
20	GEAR	1
21	SEAL LOCK SCREW (W/SP. WASHER) M4 x 10	3
22	BEARING COVER (B)	1
23	BALL BEARING 6001VVCMP2L	1
24	FELT PACKING	1
25	PACKING GLAND	1
26	SEAL LOCK SCREW (W/SP. WASHER) M4 x 12	4
27	WOODRUFF KEY	1
28	SPINDLE	1
29	MACHINE SCREW (W/SP. WASHER) M5 x 16	2
30	SET PLATE	1
31	WHEEL GUARD ASSY	1
32	WHEEL WASHER	1
33	D. C. WHEELS	1
34	WHEEL NUT M14	1
35	GEAR AND PINION SET	1
36	SLIDE KNOB	1
37	HOUSING ASS'Y	1
38	NAME PLATE	1
39	EARTH TERMINAL	1
40	TERMINAL	1
41	NOISE SUPPRESSOR	1
42	SWITCH HOLDER	1







<p>English</p> <p>EC DECLARATION OF CONFORMITY</p> <p>We declare under our sole responsibility that this product is in conformity with standards or standardized documents EN50144, HD400, EN55014-1, EN55014-2, EN61000-3-2, EN61000-3-3 and/or EN61000-3-11 in accordance with Council Directives 73/23/EEC, 89/336/EEC and/or 98/37/EC.</p> <p>This declaration is applicable to the product affixed CE marking.</p>	<p>Nederlands</p> <p>EC VERKLARING VAN CONFORMITEIT</p> <p>Wij verklaren onder eigen verantwoordelijkheid dat dit produkt conform de richtlijnen of gestandaardiseerde documenten EN50144, HD400, EN55014-1, EN55014-2, EN61000-3-2, EN61000-3-3 en/of EN61000-3-11 voldoet aan de eisen van EEG Bepalingen 73/23/EEG, 89/396/EEG en/of 98/37/EC.</p> <p>Deze verklaring is van toepassing op produkten voorzien van de CE-markeringen.</p>
<p>Deutsch</p> <p>ERKLÄRUNG ZUR KONFORMITÄT MIT CE-REGELN</p> <p>Wir erklären mit alleiniger Verantwortung, daß dieses Produkt den Standards oder standardisierten Dokumenten EN50144, HD400, EN55014-1, EN55014-2, EN61000-3-2, EN61000-3-3 und/oder EN61000-3-11 in Übereinstimmung mit den Direktiven des Europarats 73/23/EEG, 89/336/EEG und/order 98/37/CE entspricht.</p> <p>Diese Erklärung gilt für Produkte, die die CE-Markierung tragen.</p>	<p>Español</p> <p>DECLARACIÓN DE CONFORMIDAD DE LA CE</p> <p>Declaramos bajo nuestra única responsabilidad que este producto está de acuerdo con las normas o con los documentos de normalización EN50144, HD400, EN55014-1, EN55014-2, EN61000-3-2, EN61000-3-3 y/o EN61000-3-11 según indican las Directrices del Consejo 73/23/CEE, 89/336/CEE y/o 98/337/CE.</p> <p>Esta declaración se aplica a los productos con marcas de la CE.</p>
<p>Français</p> <p>DECLARATION DE CONFORMITE CE</p> <p>Nous déclarons sous notre seule et entière responsabilité que ce produit est conforme aux normes ou documents normalisés EN50144, HD400, EN55014-1, EN55014-2, EN61000-3-2, EN61000-3-3 et/ou EN61000-3-11 en accord avec les Directives 73/23/CEE, 89/336/CEE et/ou 98/37/CE du Conseil.</p> <p>Cette déclaration s'applique aux produits désignés CE.</p>	<p>Português</p> <p>DECLARAÇÃO DE CONFORMIDADE CE</p> <p>Declaramos, sob nossa única e inteira responsabilidade, que este produto está de acordo com as normas ou documentos normativos EN50144, HD400, EN55014-1, EN55014-2, EN61000-3-2, EN61000-3-3 e/ou EN61000-3-11 em conformidade com as Diretrizes 73/23/CEE, 89/336/CEE e/ou 98/37/CE do Conselho.</p> <p>Esta declaração se aplica aos produtos designados CE.</p>
<p>Italiano</p> <p>DICHIARAZIONE DI CONFORMITÀ CE</p> <p>Si dichiara sotto nostra responsabilità che questo prodotto è conforme agli standard o ai documenti standardizzati EN50144, HD400, EN55014-1, EN55014-2, EN61000-3-2, EN61000-3-3 e/o EN61000-3-11 conforme alle direttive 73/23/CEE, 89/336/CEE e/o 98/37/CE del concilio.</p> <p>Questa dichiarazione è applicabile ai prodotti cui sono applicati i marchi CE.</p>	<p>Ελληνικά</p> <p>ΕΚ ΔΗΛΩΣΗ ΕΝΑΡΜΟΝΙΣΜΟΥ</p> <p>Δηλώνουμε με απόλυτη υπευθυνότητα ότι αυτό το προϊόν είναι εναρμονισμένο με τα πρότυπα ή τα έγγραφα προτύπων EN50144, HD400, EN55014-1, EN55014-2, EN61000-3-2, EN61000-3-3 και / ή EN61000-3-11 σε συμφωνία με τις Οδηγίες του Συμβουλίου 73/23/ΕΟΚ, 89/336/ΕΟΚ και / ή 98/37/ΕΚ.</p> <p>Αυτή η δήλωση ισχύει στο προϊόν με το σημάδι EC.</p>
<p>Hitachi Power Tools Europe GmbH Siemensring 34, 47877 Willich, F. R. Germany Hitachi Koki Co., Ltd. Shinagawa Intercity Tower A, 15-1, Konan 2-chome, Minato-ku, Tokyo, Japan</p> <p style="text-align: right;">  29.11. 2001  Y. Hirano (EMO) </p>	

Hitachi Koki Co., Ltd.