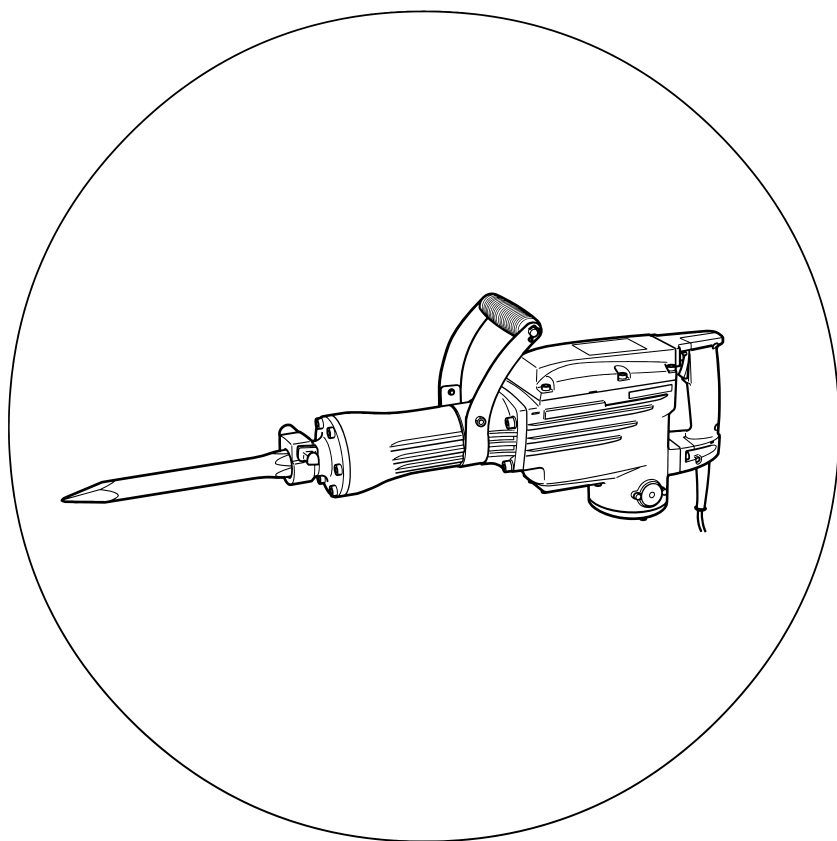


HIKOKI

电动锤 HAMMER

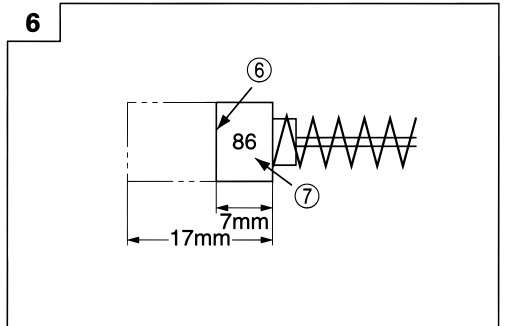
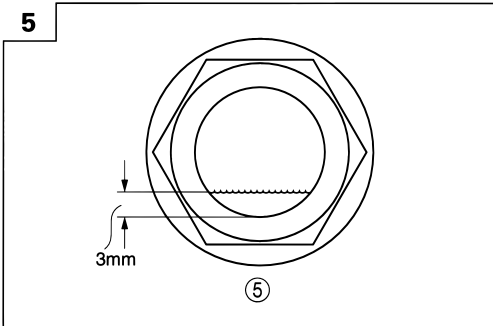
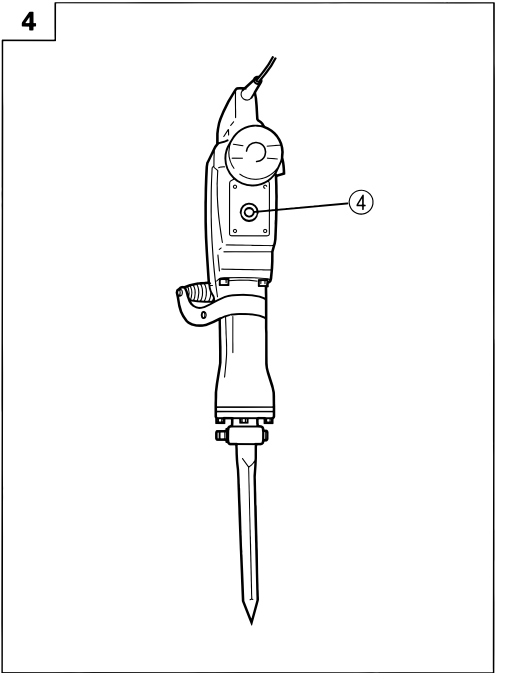
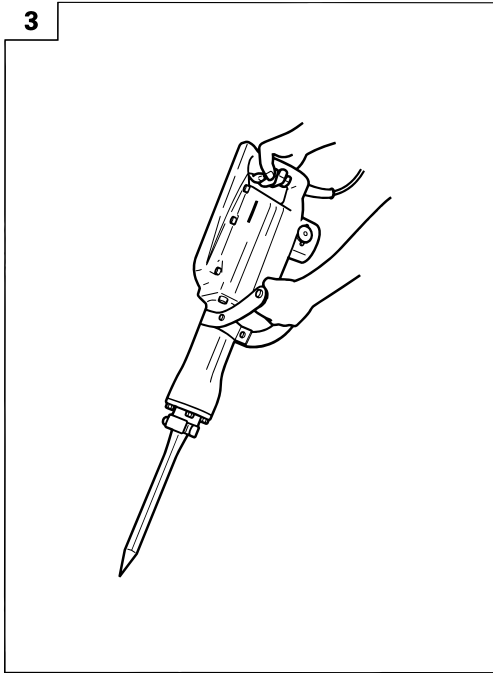
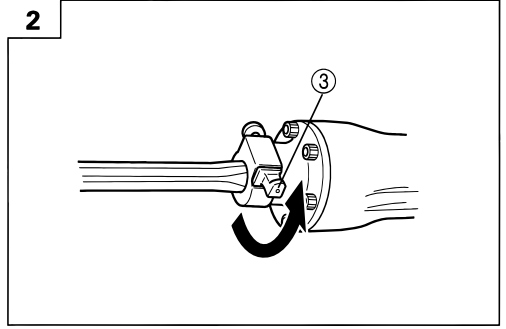
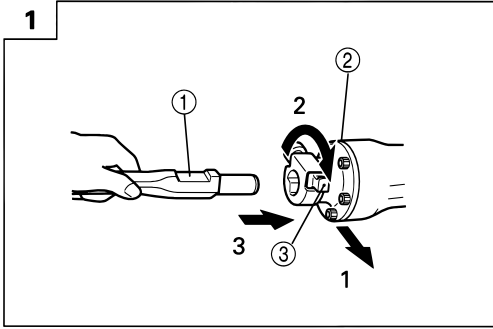
H 65SC

**使用说明书
HANDLING INSTRUCTIONS**



使用前务请详加阅读。

Read through carefully and understand these instructions before use.



①	工具柄	Tool shank
②	前罩	Front cover
③	停止杆	Stop lever
④	油量表	Oil gauge
⑤	油量降到约 3 mm 以下时，应即加以补充。	Resupply oil when the oil level drops to less than approx. 3 mm.
⑥	磨损极限	Wear limit
⑦	碳刷号	No. of carbon brush

作业上的一般注意事项

警告! 当使用电动工具时, 为了减少造成火灾、电击和人身伤害, 必须时刻遵守基本注意事项, 以及下述操作注意事项。

在操作本机之前, 请通读本说明书, 并予以妥善保管。

安全操作注意事项:

1. 工作场所应打扫干净, 清理妥当, 杂乱无章将导致事故。
2. 确保妥适的作业环境。电动工具不可任其风吹雨打。不得在潮湿的地方作业。工作场所需保持充分的亮度。请勿在有可能造成火灾或爆炸的地方使用电动工具。
3. 谨防触电事故。应避免身体同大地或接地表面不可让访客触摸电动工具或延伸线缆接触(例如: 管道、散热器、炉灶、冰箱等)
4. 不可让孩童靠近工作场所。与作业无关的访客也必须保持安全距离。
5. 不使用的电动工具应存放于干燥而孩童伸手不及的高处, 并加锁保管。
6. 不得使劲用力推压。电动工具需按设计条件才能有效而安全地工作, 绝不可勉强。
7. 妥适使用工具。不可用小型工具或附件去干重活。不可用于规定外的作业。举例说, 用圆锯进行伐木打枝或原木锯切作业。
8. 工作时衣服穿戴要合适。不要让松散的衣角和宝石类卷入转动部份。屋外作业时, 最好手戴橡胶手套, 脚穿防滑胶鞋。同时要戴上能够罩笼长发的工作帽。
9. 绝大多数的电动工具作业时, 均需戴安全眼镜。进行粉尘飞扬的切削作业时, 需戴防尘面罩。
10. 连接除尘设备
如果提供连击除尘和集尘的设备, 请确认是否已经连接好并且使用正常。
11. 不要拿电线提起电动工具, 也不得拉扯电线从电源插座拆除插头。电线需从热源和油液隔开, 并避免与锐利的边缘接触。
12. 作业以安全第一为原则。工件要用夹具或台钳卡紧。这样做, 比用手按压更为可靠, 也能够让双手专心操作。
13. 作业时脚步要站稳, 身体姿势要保持平衡。

14. 工具应维护妥善, 经常保持锋利、清洁才能充分发挥性能, 落实作业安全的要求。应按规定加注润滑脂、更换附件。线缆应定期检查, 如发现损伤应立即委托专业性的服务单位加以修复。延伸线缆如有损伤应予更换。手柄要保持干燥, 并防止沾附油脂类。
15. 不使用时, 维修前以及更换附件(如: 刀具、钻头、锯具等)之前, 都必须拆卸电源插头才行。
16. 开动前务必把调整用键和扳手类拆除下来。这一点与安全有关。应养成习惯, 严格遵守。
17. 谨防误开动。插头一插上电源插座, 插头就不可随便接触电源开关。插接电源之前, 应先确认: 开关是否切断。
18. 屋外延伸线缆的使用。屋外作业时, 必须使用专用的延伸线缆。
19. 保持高度警觉, 充分掌握情况, 以正常的判断力从事作业。疲惫时切不可开动电动工具。
20. 检查损坏部件。在继续使用电动工具之前, 应详细检查各部零件以及防护装置有无损坏, 以便判断具能否正常工作, 能否发挥正常效能。检查转动部份的对准、空转、各零件有无异常, 安装是否妥善以及其它足以给工作带来不良影响的情况。
如防护以及其它零件损伤了。除非本说明书中已有记载否则应立即委托服务中心进行妥善修理或更换。开关一发现缺陷, 应立即委托服务中心加以更换。如开关不能正常地接通或切断, 绝不可使用该电动工具。
21. 警告
使用非本说明书中的推荐的附件可能有发生人身损害的危险。
22. 本工具必须委托有资格的维修人员进行维修。
本电动工具满足相关的安全要求。维修必须由专业人员使用纯正配件来进行。否则有可能会给用户造成人身损害。

使用电动锤时应注意事项

1. 作业时必须戴上耳塞以保护您的耳朵。
2. 不要在作业时或作业之后马上触摸钻头。
因为在作业时钻头变得非常热，可能会引起严重烧伤。
3. 钻凿墙壁、天花板、地板时，应先确认有无埋设电缆或管道类。
4. 脸部朝上作业时，要带上防护面罩。
5. 钻头夹持器应妥予安装。
6. 开始作业时，要先确认油脂是否正常供应，螺钉类是否妥予扭紧。
7. 在高处作业时，应充分注意下面的东西和行人安全。
8. 穿上保护靴，以保护脚。

规格

电压（按地区）*	(110V, 115V, 120V, 127V, 220V, 230V, 240V) ~
输入功率*	1240W
满载冲击率	1400 次/分
重量（不含线缆）	15 kg

*当须改变地区时应检查产品上的铭牌。

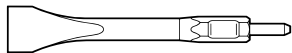
标准附件

- (1) 钢壳..... 1
- (2) 尖钻头..... 1
- (3) 注油器..... 1
- (4) 扳手..... 1

标准附件可能不预先通告而径予更改。

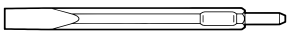
选购附件（分开销售）

○ 沥青刮刀



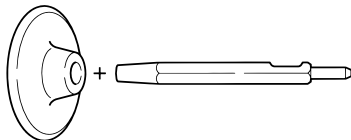
- (1) 刀具 总长 410 mm
宽 75 mm

○ 开槽和滚边



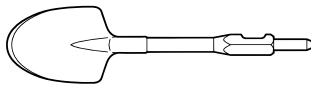
- (1) 冷凿 总长 410 mm

○ 夯具



- (1) 撞锤 外径 200 mm
(2) 柄 总长 250 mm

○ 铲子



- (1) 铲子 总长 380 mm

○ 电动锤油（1 升）

选购附件可能不预先通告而径予更改。

用 途

混凝土破碎、混凝土切削、开槽、棒切割。

应用例：

装配管道、敷设线缆、卫生设备安装、机械安装、给排水设施建设、室内装修、港口设施建设、其它土木工程施工。

作 业 之 前

1. 电源：

确认所使用的电源与工具铭牌上标示的规格是否相符。

2. 电源开关：

确认电源开关是否切断。若电源开关接通，则插头插入电源插座时电动工具将出其不意地立刻转动，从而招致严重事故。

3. 延伸线缆：

若作业场所移到离开电源的地点，应使用容量足够、铠装合适的延伸线缆，并且要尽可能地短些。

4. 给油（参照第6页“注油”一项）

在使用电动工具之前，应拆下油量表，并注意不可因给油而破坏油箱（油箱为内装式，但装船只装入少量的油液）。

5. 安装工具：

注意：确认开关已断开并且从电源插座中拔去电源插头以避免严重事故。

注：像尖钻头及刀具等工具只能使用HIKOKI的产品。

- 1) 擦净后再给工具柄涂上润滑油或机油（见图1）。
- 2) 边将停止杆朝前拉，边将其向右转180°，然后将尖端工具插入前盖上的六角孔内。（见图1）
- 3) 把停止杆朝相反方向转动半转，夹紧工具。（见图2）

注：拆卸钻机时，应按上述的相反顺序进行。

怎么样使用电动锤

1. 将钻头移至加工位置后，拉动启动开关。
有时，需要用力将钻头紧紧顶住加工位置以便开始钻凿。
这并不是因电动锤的故障所致。这说明防止空撞击的安全防护机构已启动。
2. 在使用电动锤时，请利用其自身的重量进行钻凿。
因为即使将电动锤用力按在工作面上并用力推动，作业效果也不会太好。请仅用足以抵销反作用力的力气来抓住电动锤即可（图3）。

注意：由于油变稠，即使电动机转动电动锤有时也不会开始冲击行程。在低温下，或者长期不用后使用电动锤时，电动锤要先运转5分钟，暖机后再使用。

注 油

注意：注油之前，应先从电源插座拆卸插头。

电动锤内部装有油箱，因此即使不补给油液，若每天作业时间为3~4小时，则可连续使用20天左右。
使用电动锤之前，应按下述方法注油（参阅图4和5）。

1. 当竖起电动锤时，若油量表窥窗看不到油液，应立即加油补充。
2. 加油之前，应使用附属的扳手拆除油量表。这时候，必需十分注意，防止遗失油量表下面的橡胶填密件。
3. 应每日检查油位一次，确认油量是否足够。
4. 加油后，应重新夹紧油量表。

注意：使用油液是作为选购附件分开销售。油箱缺油时，亦可使用Shell牌ROTELLA #40（机油）。此种牌号的油在Shell的加油站到处均有出售。

维护和检查

注意：确认开关已断开并且从电源插座中拔去电源插头以避免严重事故。

1. 工具检修：

如果继续使用变钝了的工具的话，会降低作业效率并可能会使电动机发生故障。因此，发现工具受损时，必须立即将其磨锋利或更换上新的工具。

2. 检查安装螺钉：

要经常检查安装螺钉是否紧固妥善。若发现螺钉松了，应立即重新扭紧，否则会导致严重的事故。

3. 电动机的维护：

电动机绕线是电动工具的必脏部。应仔细检查有无损伤，是否被油液或水沾湿。

4. 检查碳刷：（图 6）

电动机里的碳刷是一种消耗品。碳刷一旦使用到磨损极限，电动机就会出现各种障碍；如果所使用的碳刷是“自停式”，电动机将自动地停止转动。遇到上述情况，应立即换上与图上代号一致的新碳刷。

此外，碳刷应经常保持干净状态，以保证能在刷握里自由滑动。

5. 更换碳刷

松开炭刷盖罩的螺丝（六角形插口头螺栓 M4 × 12），然后取下盖罩。拆下炭刷盖后便可取下炭刷。

更换炭刷后，要拧紧炭刷盖，然后再牢牢地安上炭刷盖罩。

注：为求改进，本手册所载规格可能不预先通告而径予更改。

GENERAL OPERATIONAL PRECAUTIONS

WARNING! When using electric tools, basic safety precautions should always be followed to reduce the risk of fire, electric shock and personal injury, including the following.

Read all these instructions before operating this product and save these instructions.

For safe operations:

1. Keep work area clean. Cluttered areas and benches invite injuries.
2. Consider work area environment. Do not expose power tools to rain. Do not use power tools in damp or wet locations. Keep work area well lit. Do not use power tools where there is risk to cause fire or explosion.
3. Guard against electric shock. Avoid body contact with earthed or grounded surfaces. (e.g. pipes, radiators, ranges, refrigerators).
4. Keep children away. Do not let visitors touch the tool or extension cord. All visitors should be kept away from work area.
5. Store idle tools. When not in use, tools should be stored in a dry, high or locked up place, out of reach of children.
6. Do not force the tool. It will do the job better and safer at the rate for which it was intended.
7. Use the right tool. Do not force small tools or attachments to do the job of a heavy duty tool. Do not use tools for purposes not intended; for example, do not use circular saw to cut tree limbs or logs.
8. Dress properly. Do not wear loose clothing or jewelry, they can be caught in moving parts. Rubber gloves and non-skid footwears are recommended when working outdoors. Wear protecting hair covering to contain long hair.
9. Use eye protection. Also use face or dust mask if the cutting operation is dusty.
10. Connect dust extraction equipment. If devices are provided for the connection of dust extraction and collection facilities ensure these are connected and properly used.
11. Do not abuse the cord. Never carry the tool by the cord or yank it to disconnect it from the receptacle. Keep the cord away from heat, oil and sharp edges.
12. Secure work. Use clamps or a vise to hold the work. It is safer than using your hand and it frees both hands to operate tool.
13. Do not overreach. Keep proper footing and balance at all times.
14. Maintain tools with care. Keep cutting tools sharp and clean for better and safer performance. Follow instructions for lubrication and changing accessories. Inspect tool cords periodically and if damaged, have it repaired by authorized service center. Inspect extension cords periodically and replace, if damaged. Keep handles dry, clean, and free from oil and grease.
15. Disconnect tools. When not in use, before servicing, and when changing accessories such as blades, bits and cutters.

16. Remove adjusting keys and wrenches. Form the habit of checking to see that keys and adjusting wrenches are removed from the tool before turning it on.
17. Avoid unintentional starting. Do not carry a plugged-in tool with a finger on the switch. Ensure switch is off when plugging in.
18. Use outdoor extension leads. When tool is used outdoors, use only extension cords intended for outdoor use.
19. Stay alert. Watch what you are doing. Use common sense. Do not operate tool when you are tired.
20. Check damaged parts. Before further use of the tool, a guard or other part that is damaged should be carefully checked to determine that it will operate properly and perform its intended function. Check for alignment of moving parts, free running of moving parts, breakage of parts, mounting and any other conditions that may affect its operation. A guard or other part that is damaged should be properly repaired or replaced by an authorized service center unless otherwise indicated in this handling instructions. Have defective switches replaced by an authorized service center. Do not use the tool if the switch does not turn it on and off.
21. Warning
The use of any accessory or attachment, other than those recommended in this handling instructions, may present a risk of personal injury.
22. Have your tool repaired by a qualified person. This electric tool is in accordance with the relevant safety requirements. Repairs should only be carried out by qualified persons using original spare parts. Otherwise this may result in considerable danger to the user.

PRECAUTIONS ON USING HAMMER

1. Wear earplugs to protect your ears during operation.
2. Do not touch the bit during or immediately after operation. The bit becomes very hot during operation and could cause serious burns.
3. Before starting to break, chip or drill into a wall, floor or ceiling, thoroughly confirm that such items as electric cables or conduits are not buried inside.
4. Wear a mask when turning your head upward.
5. Properly set the bit holder
6. At the start of work, confirm screw tightening.
7. When working at a highly elevated location, pay attention to articles and persons below.
8. Wear protective shoes to protect your feet.

SPECIFICATIONS

Voltage (by areas)*	(110V, 115V, 120V, 127V, 220V, 230V, 240V) \surd
Power Input	1240W*
Full-load Impact Rate	1400/min.
Weight (without cord, side handle)	15 kg

* Be sure to check the nameplate on product as it is subject to change by areas.

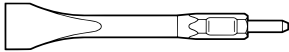
STANDARD ACCESSORIES

- (1) Case 1
- (2) Bull Point 1
- (3) Oil Feeder 1
- (4) Wrench 1

Standard accessories are subject to change without notice.

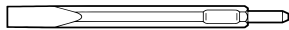
OPTIONAL ACCESSORIES (sold separately)

- Asphalt Cutting



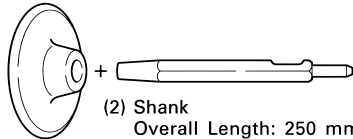
(1) Cutter
Overall Length: 410 mm
Width: 75 mm

- Groove Digging and Edging



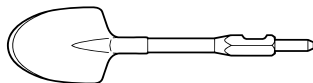
(1) Cold Chisel
Overall Length: 410 mm

- Tamping



(1) Rammer
Outer diameter: 200 mm

- Scooping Work



(1) Scoop
Overall Length: 380 mm

- Electric Hammer Oil (one liter)

Optical accessories are subject to change without notice.

APPLICATIONS

Demolishing concrete, chiseling off concrete, grooving, bar cutting.

Application examples:

Installation of piping and wiring, sanitary facility installation, machinery installation, water supply and drainage work, interior jobs, harbor facilities and other civil engineering works.

PRIOR TO OPERATION

1. Power source

Ensure that the power source to be utilized conforms to the power requirements specified on the product nameplate.

2. Power switch

Ensure that the power switch is in the OFF position. If the plug is connected to a receptacle while the power switch is in the ON position, the power tool will start operating immediately, which could cause a serious accident.

3. Extension cord

When the work area is removed from the power source, use an extension cord of sufficient thickness and rated capacity. The extension cord should be kept as short as practicable.

4. Feeding oil (refer to the paragraph on oil feeding)

Prior to using the power tool, remove the oil gauge and do not fail the oil tank with the provided oil. (Although the oil tank is built in, it contains only a small volume of oil when shipped from the HIKOKI Works.)

5. Tool Mounting:

CAUTION:
Be sure to switch OFF and disconnect the attachment plug from the receptacle to avoid a serious accident.

NOTE:

For tools such as a bull point and a cutter, use only HIKOKI genuine parts.

- (1) Clean, then smear the tool shank with grease or machine oil. (Fig. 1)
- (2) Rotate the stop lever 180° in a clockwise direction while pulling it toward you. Next, insert the tool shank into the hexagonal hole on the front cover. (Fig. 1)
- (3) Clamp the tool by turning the stop lever by half a turn in the opposite direction. (Fig. 2)

NOTE:

When removing the tool, follow the above procedures in reverse.

HOW TO USE THE HAMMER

1. Pull the trigger switch after applying the tip of the bit to the crushing position.
In some cases, it is necessary to punch the tip of the bit against the crushing position forcibly in order to begin the striking motion.
This is not due to malfunction of the tool. It means that the safe guard mechanism against no-load striking is working.
2. Operate the tool by utilizing its empty weight. The performance will not be better even if the tool is pressed or thrust forcibly against the work surface. Hold the tool with a force just sufficient to counteract the reaction. (Fig. 3)

CAUTION:

Sometimes the tool does not begin the striking motion even when the motor rotates because the oil has become thick.

If the tool is used at low temperatures or if it is used after a long time idle, the tool should be used running in for five minutes in order to warm it up.

OIL FEEDING

CAUTION: Prior to oil feeding, always disconnect the plug from the receptacle.

Since an oil chamber is built in this HiKOKI Electric Hammer, it can be used for approximately 20 days without replenishing lubricating oil, assuming that the Hammer is used continuously 3 – 4 hours daily.

Feed oil into the oil tank as described below before using this Hammer. (See Figs. 4 and 5)

1. Just before no oil is visible in the oil gauge window when the power tool is held upright, feed oil without fail.
2. Before feeding oil, use the provided wrench to remove the oil gauge.
Be careful not to lose the rubber packing attached below the oil gauge.
3. Check the oil level once a day, confirming that oil is filled.
4. After feeding oil, securely clamp the oil gauge.

NOTE:

As an optional accessory, oil for the HiKOKI Electric Hammer (one liter) is sold separately. Use this oil when oil in the tank is depleted. Shell Oil Co. ROTELLA #40 (engine oil) can also be used. This oil is sold at Shell gasoline stations most anywhere.

MAINTENANCE AND INSPECTION

CAUTION:

Be sure to switch OFF and disconnect the attachment plug from the receptacle to avoid a serious accident.

1. **Inspecting the tool**
Since use of a dull tool will degrade efficiency and cause possible motor malfunction, sharpen or replace the tool as soon as abrasion is noted.
2. **Inspecting the mounting screws:**
Regularly inspect all mounting screws and ensure that they are properly tightened. Should any of the screws be loose, retighten them immediately. Failure to do so could result in serious hazard.

3. Maintenance of the motor

The motor unit winding is the very “heart” of the power tool. Exercise due care to ensure the winding does not become damaged and/or wet with oil or water.

4. Inspecting the carbon brushes (Fig. 6)

The Motor employs carbon brushes which are consumable parts. When they become worn to or near the “wear limit”, it could result in motor trouble. When an auto-stop carbon brush is equipped, the motor will stop automatically. At that time, replace both carbon brushes with new ones which have the same carbon brush Numbers shown in the figure. In addition, always keep carbon brushes clean and ensure that they slide freely within the brush holders.

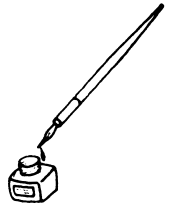
5. Replacing carbon brushes:

Loosen the screw (Hexagon socket hd. bolts M4×12) of the cap covers, then remove the cap covers. After removing the brush caps, the carbon brushes can be removed.

After replacing the carbon brushes, tighten the brush caps, then mount the cap covers securely.

NOTE

Due to HiKOKI's continuing program of research and development, the specifications herein are subject to change without prior notice.



服务中心
工机商业(中国)有限公司
上海市闵行区浦江工业园区三鲁路3585号7幢3楼

制造商
高壹工机(马来西亚)有限公司
马来西亚柔佛州士乃第二工业区

Koki Holdings Co., Ltd.

806
编号: C99098423 M
发行日期: 2018年6月
马来西亚印刷