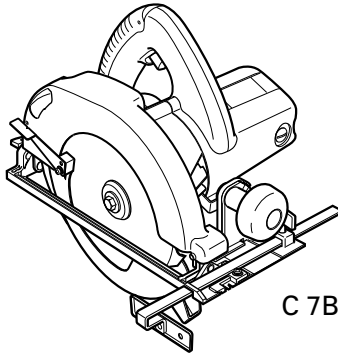


# Hitachi Koki

**CIRCULAR SAW  
KREISSÄGE  
SCIE CIRCULAIRE  
SEGA CIRCOLARE  
CIRKELZAAGMACHINE  
SIERRA CIRCULAR  
SERRA CIRCULAR  
ΔΙΣΚΟΠΡΙΟΝΟ**

**C 6BU • C 7BU**



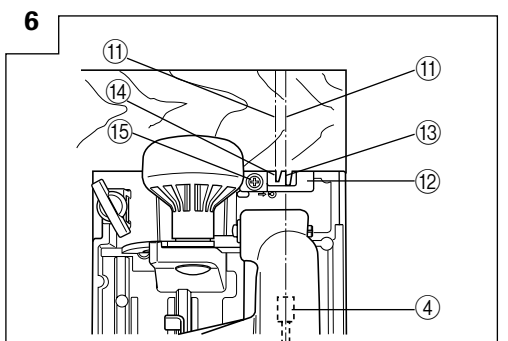
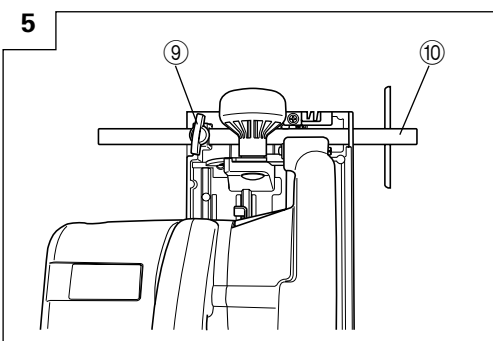
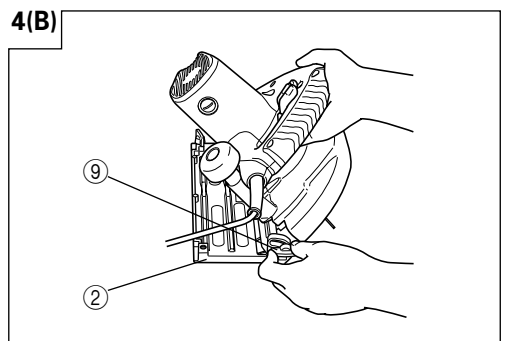
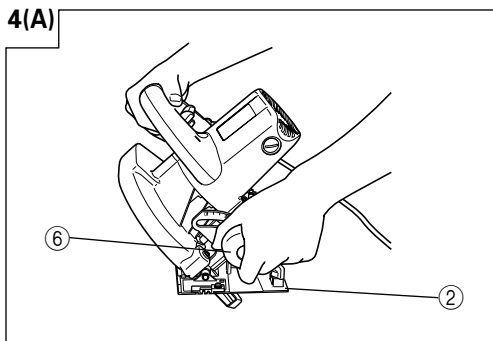
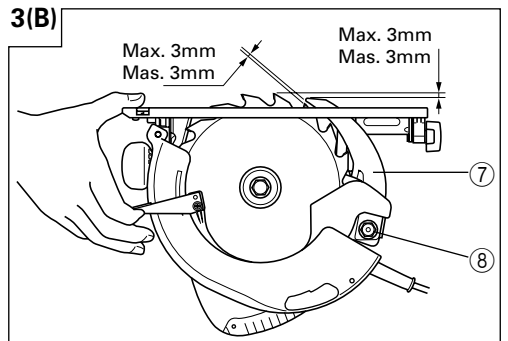
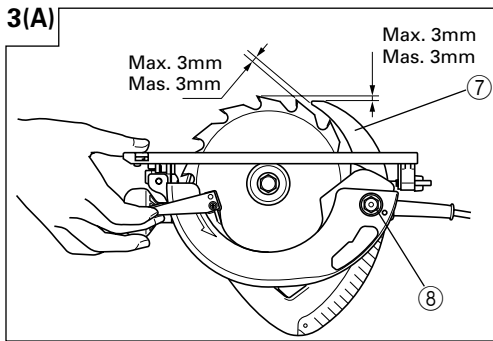
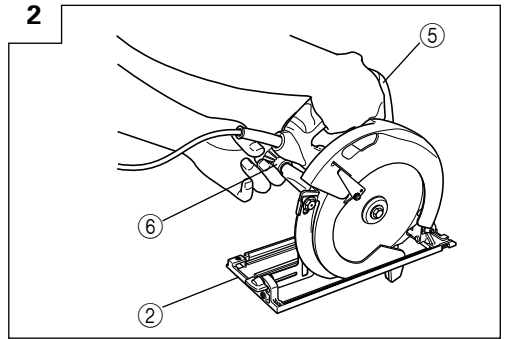
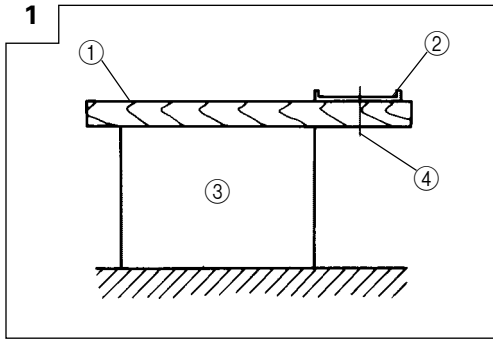
C 7BU

Read through carefully and understand these instructions before use.  
Diese Anleitung vor Benutzung des Werkzeugs sorgfältig durchlesen und verstehen.  
Lire soigneusement et bien assimiler ces instructions avant usage.  
Prima dell'uso leggere attentamente e comprendere queste istruzioni.  
Deze gebruiksaanwijzing s.v.p. voor gebruik zorgvuldig doorlezen.  
Leer cuidadosamente y comprender estas instrucciones antes del uso.  
Antes de usar, leia com cuidado para assimilar estas instruções.  
Διαβάστε προσεκτικά και κατανοήστε αυτές τις οδηγίες πριν τη χρήση.

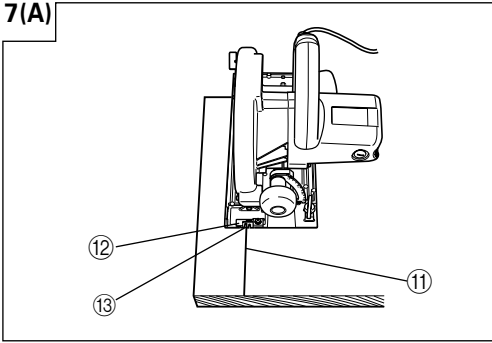


Handling instructions  
Bedienungsanleitung  
Mode d'emploi  
Istruzioni per l'uso  
Gebruiksaanwijzing  
Instrucciones de manejo  
Instruções de uso  
Οδηγίες χειρισμού

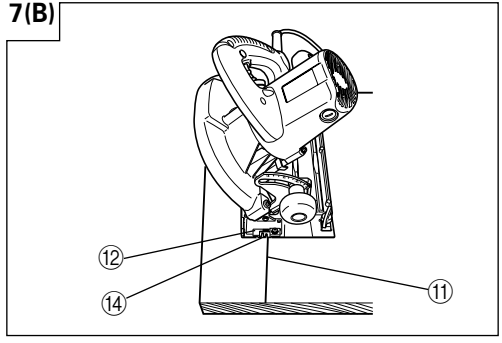
**HITACHI**



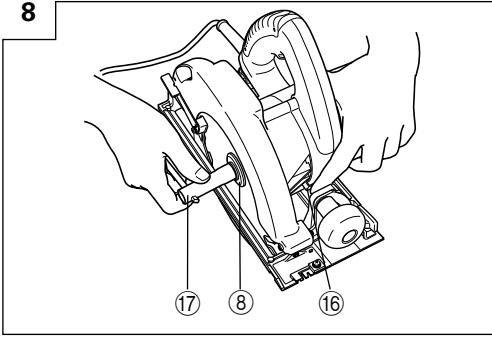
7(A)



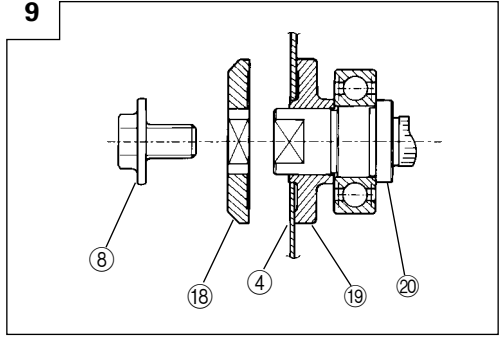
7(B)



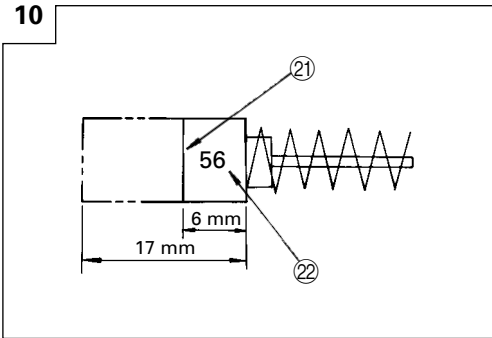
8



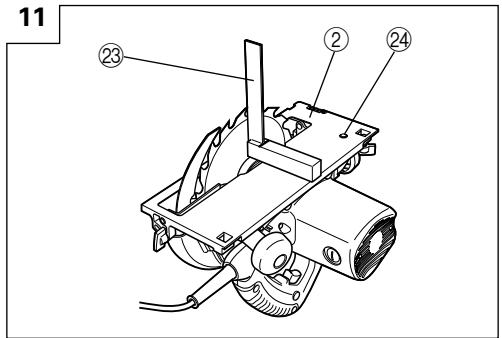
9



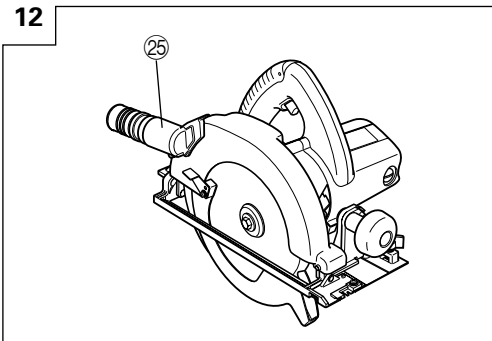
10



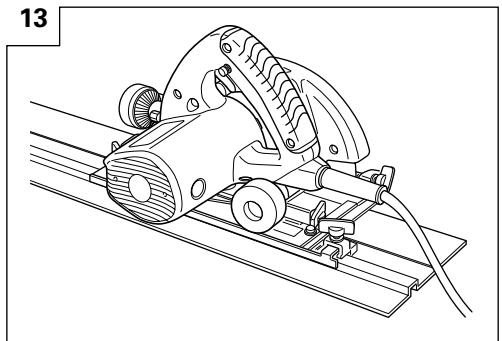
11



12









13



	English	Deutsch	Farçais	Italiano
①	Lumber	Schnittholz	Bois	Legno
②	Base	Grundplatte	Base	Base
③	Workbench	Werkbank	Etabli	Banco di lavoro
④	Saw blade	Sägeblatt	Lame de la scie	Lame della sega
⑤	Handle	Handgriff	Poignée	Mano
⑥	Knob	Stellknopf	Bouton	Manopola
⑦	Riving knife	Spaltkeil	Lame fendue	Coltello
⑧	Hexagonal-head bolt	Sechskantkopfschraube	Boulon à tête hexagonale	Bullone esagonale
⑨	Wing-bolt	Fügelschraube	Boulon-papillon	Bullone a farfalla
⑩	Guide	Führung	Guide	Guida
⑪	Premarked line	Versetzt-Markierung	Ligne de repère	Traccia del taglio
⑫	Guide piece	Führungsstück	Pièce de guidage	Parte di guida
⑬	Front scale when not inclined	Frontskala wenn nicht geneigt	Echelle avant quand non incliné	Scala frontale non inclinata
⑭	Front scale at 45° incline	Frontskala bei 45° -Neigung	Echelle avant quand incliné à 45°	Scala frontale inclinata a 45°
⑮	M4 Screw	M4 Schraube	Vis de M4	Vite de M4
⑯	Lock lever	Sperrhebel	Levier de blocage	Leva di bloccaggio
⑰	Box wrench	Steckschlüssel	Clef à bécuille	Chiave fissa a collare
⑱	Washer (B)	Unterlegscheibe (B)	Rondelle (B)	Rondella (B)
⑲	Washer (A)	Unterlegscheibe (A)	Rondelle (A)	Rondella (A)
⑳	Spindle	Achse	Arbre	Asse
㉑	Wear limit	Verschleißgrenze	Limite d'usure	Limite di usura
㉒	No. of carbon brush	Nr. der Kohlebürste	No. du balai en carbone	N. della spazzola di carbone
㉓	Square	Winkel	Equerre	Squadra
㉔	Slotted set screw	Schaftschraube	Vis sans fin	Vite senza fine
㉕	Dust collector	Staubsauger	Collecteur à poussière	Raccogli-polvere

	Nederlands	Español	Português	Ελληνικά
①	Zaaghout	Madera útil	Madeira	Ξυλεία
②	Basisplaat	Base	Base	Βάση
③	Werkbank	Banco de trabajo	Bancada de trabalho	Πάγκος εργασίας
④	Zaagblad	Cuchilla de sierra	Lâmina de serra	Πριονωτή λεπίδα
⑤	Handgreep	Mango	Cabo	Λαβή
⑥	Knop	Perilla	Comando	Κουμπί
⑦	Splijtwig	Cuchilla hendidora	Lâmina fendida	Διαχωριστικό μαχαίρι
⑧	Zeskantige bout	Perno de cabeza exagonal	Parafuso sextavado	Βίδα εξάγωνης κεφαλής
⑨	Vleugelmoer	Perno de mariposa	Parafuso-borboleta	Φτερωτό μπουλόνι
⑩	Aanslagplaat	Guía	Guarda	Οδηγός
⑪	Markeerlijn	Línea de trazado	Linha de referência	Προσημειωμένη γραμμή
⑫	Geleider	Pieza guía	Peça de guarda	Οδηγητικό κομμάτι
⑬	Voorste schaal bij niet hellend zaagblad	Escala frontal sin inclinación	Escala frontal sem inclinação	Μπροστινή κλίμακα όταν δεν βρίσκεται σε κλίση
⑭	Voorste schaal bij hellend zaagblad (45°)	Escala frontal con 45° de inclinación	Escala frontal com 45° de inclinação	Μπροστινή κλίμακα με κλίση 45°
⑮	M4 schroef	Tornillo M4	Parafuso M4	M4 Βίδα
⑯	Palhefboom	Palanca de cierre	Alavanca de bloqueio	Μοχλός κλειδώματος
⑰	Steeksleutel	Llave anular	Chave de encaixe	Μπουλονόκλειδο
⑱	Onderlegschiif (B)	Arandela (B)	Arruela (B)	Ροδέλα (B)
⑲	Onderlegschiif (A)	Arandela (A)	Arruela (A)	Ροδέλα (A)
⑳	As	Husilio	Eixo	Άξονας
㉑	Slijtagegrens	Límite de uso	Limite de desgaste	Όριο φθοράς
㉒	Nr. van de koolborstel	No. de carbón de contacto	Nº de escova de carvão	Αρ. Καρβουνακιού
㉓	Windelhaak	Escuadra	Esquadro	Γνώμονας
㉔	Koploze schroef	Vástago	Parafuso de cabeça ranhurada	Βίδα με εγκοπή
㉕	Stof-verzamelaar	Colector de polvo	Coletor de pó	Συλλογέας σκόνης

	<p><b>Symbols</b> The following show symbols used for the machine. Be sure that you understand their meaning before use.</p>	<p><b>Symbole</b> Die folgenden Symbole werden für diese Maschine verwendet. Achten Sie darauf, diese vor der Verwendung zu verstehen.</p>	<p><b>Symboles</b> Les symboles suivants sont utilisés pour l'outil. Bien se familiariser avec leur signification avant d'utiliser l'outil.</p>	<p><b>Simboli</b> Di seguito mostriamo i simboli usati per la macchina. Assicurarsi di comprenderne il significato prima dell'uso.</p>
	Read instruction manual.	Bedienungsanleitung lesen.	Lire le mode d'emploi.	Leggere il manuale di istruzioni.
	Wear safety glasses.	Gehörschutz tragen.	Porter des lunettes de sécurité.	Indossare occhiali di sicurezza.
	Wear hearing protection	Gehörschutz tragen.	Porter des protections anti-bruit.	Indossare i dispositivi di protezione acustica
	<p><b>Symbolen</b> Hieronder staan symbolen afgebeeld die van toepassing zijn op deze machine. U moet de betekenis hiervan begrijpen voor gebruik.</p>	<p><b> Símbolos</b> A continuación se muestran los símbolos usados para la máquina. Asegúrese de comprender su significado antes del uso.</p>	<p><b> Símbolos</b> A seguir aparecem os símbolos utilizados pela máquina. Assimile bem seus significados antes do uso.</p>	<p><b>Σύμβολα</b> Τα παρακάτω δείχνουν τα σύμβολα που χρησιμοποιούνται στο μηχάνημα. Βεβαιωθείτε ότι κατανοείτε τη σημασία τους πριν τη χρήση.</p>
	Lees de handleiding.	Lea el manual de instrucciones.	Leia o manual de instruções	Διαβάστε το εγχειρίδιο οδηγιών.
	Draag een veiligheidsbril.	Use gafas de seguridad.	Utilize óculos de segurança	Φοράτε γυαλιά ασφαλείας.
	Draag gehoorbescherming.	Utilice protecciones auriculares.	Use proteção auditiva	Φοράτε προστατευτικά ακοής

## GENERAL OPERATIONAL PRECAUTIONS

**WARNING!** When using electric tools, basic safety precautions should always be followed to reduce the risk of fire, electric shock and personal injury, including the following.

Read all these instructions before operating this product and save these instructions.

For safe operations:

1. Keep work area clean. Cluttered areas and benches invite injuries.
2. Consider work area environment. Do not expose power tools to rain. Do not use power tools in damp or wet locations. Keep work area well lit. Do not use power tools where there is risk to cause fire or explosion.
3. Guard against electric shock. Avoid body contact with earthed or grounded surfaces. (e.g. pipes, radiators, ranges, refrigerators).
4. Keep children away. Do not let visitors touch the tool or extension cord. All visitors should be kept away from work area.
5. Store idle tools. When not in use, tools should be stored in a dry, high or locked up place, out of reach of children.
6. Do not force the tool. It will do the job better and safer at the rate for which it was intended.
7. Use the right tool. Do not force small tools or attachments to do the job of a heavy duty tool. Do not use tools for purposes not intended; for example, do not use circular saw to cut tree limbs or logs.
8. Dress properly. Do not wear loose clothing or jewellery, they can be caught in moving parts. Rubber gloves and non-skid footwear are recommended when working outdoors. Wear protecting hair covering to contain long hair.
9. Use eye protection. Also use face or dust mask if the cutting operation is dusty.
10. Connect dust extraction equipment.  
If devices are provided for the connection of dust extraction and collection facilities ensure these are connected and properly used.
11. Do not abuse the cord. Never carry the tool by the cord or yank it to disconnect it from the receptacle. Keep the cord away from heat, oil and sharp edges.
12. Secure work. Use clamps or a vise to hold the work. It is safer than using your hand and it frees both hands to operate tool.
13. Do not overreach. Keep proper footing and balance at all times.
14. Maintain tools with care. Keep cutting tools sharp and clean for better and safer performance. Follow instructions for lubrication and changing accessories. Inspect tool cords periodically and if damaged, have it repaired by authorized service center. Inspect extension cords periodically and replace, if damaged. Keep handles dry, clean, and free from oil and grease.
15. Disconnect tools. When not in use, before servicing, and when changing accessories such as blades, bits and cutters.
16. Remove adjusting keys and wrenches. Form the habit of checking to see that keys and adjusting wrenches are removed from the tool before turning it on.
17. Avoid unintentional starting. Do not carry a plugged-in tool with a finger on the switch. Ensure switch is off when plugging in.
18. Use outdoor extension leads. When tool is used outdoors, use only extension cords intended for outdoor use.

19. Stay alert. Watch what you are doing. Use common sense. Do not operate tool when you are tired.
20. Check damaged parts. Before further use of the tool, a guard or other part that is damaged should be carefully checked to determine that it will operate properly and perform its intended function. Check for alignment of moving parts, free running of moving parts, breakage of parts, mounting and any other conditions that may affect its operation. A guard or other part that is damaged should be properly repaired or replaced by an authorized service center unless otherwise indicated in this handling instructions. Have defective switches replaced by an authorized service center. Do not use the tool if the switch does not turn it on and off.
21. Warning  
The use of any accessory or attachment, other than those recommended in this handling instructions, may present a risk of personal injury.
22. Have your tool repaired by a qualified person.  
This electric tool is in accordance with the relevant safety requirements. Repairs should only be carried out by qualified persons using original spare parts. Otherwise this may result in considerable danger to the user.

## PRECAUTIONS ON USING CIRCULAR SAW

1. Do not use saw blades which are deformed or cracked.
2. Do not use saw blades made of high speed steel.
3. Do not use saw blades which do not comply with the characteristics specified in these instructions.
4. Do not stop the saw blades by lateral pressure on the disc.
5. Always keep the saw blades sharp.
6. Ensure that the safety cover moves smoothly and freely.
7. Never use the circular saw with its safety cover fixed in the open position.
8. Ensure that the retraction mechanism of the guard system operates correctly.
9. The saw blades body must be thinner than the riving knife and the width of cut, or kerf (with teeth set) must be greater than the thickness of the riving knife.
10. Never operate the circular saw with the saw blade turned upward or to the side.
11. Ensure that the material is free of foreign matters such as nails.
12. The riving knife should always be used except when plunging in the middle of the workpiece.
13. For model C 6BU, the saw blades range should be from 165 mm to 150 mm.  
For model C 7BU, the saw blades range should be from 185 mm to 170 mm.
14. Be careful of brake kickback.  
This circular saw features an electric brake that functions when the switch is released. As there is some kickback when the brake functions, be sure to hold the main body securely.
15. Sparks can sometimes appear caused by braking operation when the switch is turned off since C6BU and C7BU models employ electric brakes. Be informed, however, that this phenomenon is not a machine trouble.
16. When the brake becomes ineffective, replace the carbon brushes with new ones.
17. Disconnect the plug from the receptacle before carrying out any adjustment, servicing or maintenance.

## SPECIFICATIONS

Model		C 6BU	C 7BU
Voltage (by areas)*		(110V, 230V) ~	
Cutting Depth	90°	54 mm	63 mm
	45°	39 mm	45 mm
Power Input*		1010W	1150W
No-Load Speed		5000/min	
Weight (without cord)		3.5 kg	4.0 kg

\*Be sure to check the nameplate on product as it is subject to change by areas.

## STANDARD ACCESSORIES

- (1) Saw Blade (mounted on tool ) ..... 1  
 ( Dia. 165 mm ..... C 6BU )  
 ( Dia. 185 mm ..... C 7BU )
  - (2) Box Wrench ..... 1
  - (3) Guide ..... 1
  - (4) Wing-bolt ..... 1
- Standard accessories are subject to change without notice.

## OPTIONAL ACCESSORIES (sold separately)

- (1) Dust Collector Set (D)  
 Connect the suction hose to collect saw dust with the vacuum cleaner (see Fig. 12).
- (2) Washer (A) ... for 16 mm (Hole dia. of saw blade)  
 ... for 30 mm (Hole dia. of saw blade)
- (3) Guide Rail Adapter (See Fig. 13)

Optional accessories are subject to change without notice.

## APPLICATION

Cutting various types of wood.

## PRIOR TO OPERATION

- 1. Power source**  
 Ensure that the power source to be utilized conforms to the power requirements specified on the product nameplate.
- 2. Power switch**  
 Ensure that the power switch is in the OFF position. If the plug is connected to a receptacle while the power switch is in the ON position, the power tool will start operating immediately, which could cause a serious accident.
- 3. Extension cord**  
 When the work area is removed from the power source, use an extension cord of sufficient thickness and rated capacity. The extension cord should be kept as short as practicable.
- 4. Prepare a wooden workbench (Fig. 1)**  
 Since the saw blade will extend beyond the lower surface of the lumber, place the lumber on a workbench when cutting. If a square block is utilized as a workbench, select level ground to ensure it is properly stabilized. An unstable workbench will result in hazardous operation.

### CAUTION

To avoid possible accident, always ensure that the portion of lumber remaining after cutting is securely anchored or held in position.

## ADJUSTING THE SAW PRIOR TO USE

### 1. Adjusting the cutting depth

As shown in Fig. 2, hold the handle with one hand while loosening the knob with the other.

The cutting depth can be adjusted by moving the base to the desired position. In such manner adjust the cutting depth and then securely retighten the knob.

### 2. Adjusting the riving knife

Loosen the hexagonal – head bolt used to clamp the riving knife, adjust the riving knife to the position shown in Fig. 3 and securely retighten the bolt.

### 3. Adjusting the angle of inclination

As shown in Fig. 4 (A), Fig. 4 (B) by loosening the knob on the incline gauge and the wing-bolt on the base, the saw blade may be inclined to a maximum angle of 45° in relation to the base. After having completed the adjustment, reconfirm that the knob and the wing bolt are firmly tightened.

### 4. Regulating the guide (Fig. 5)

The cutting position can be regulated by moving the guide to the left or right after loosening its wingbolt. The guide may be mounted on either the right or left side of the tool.

### 5. Adjusting the guide piece

On the circular saw, it is possible to make fine adjustment of the fixing position of the guide piece, where the saw blade and the premarked line are to be aligned.

When the saw is shipped from the factory, the linear portion of a front scale on the guide piece is aligned with the central position of the saw blade. (Fig. 6)

Loosen the fixed screw on the guide piece, should the fixing position be wrong, and make necessary adjustment of the position.

## CUTTING PROCEDURES

1. Place the base on the material, then align the premarked line and the sawblade with the guide piece front scale section at the front of the base. (Fig. 6)  
 When the base is not slanted, use the large cutout as the guide. (Fig. 6, Fig. 7(A))  
 If the base is slanted (45 degrees), use the small front scale as the guide. (Fig. 6, Fig. 7(B))
2. Ensure that the switch is turned to the ON position before the saw blade comes in contact with the lumber. The switch is turned ON when the trigger is squeezed; and OFF when the trigger is released.
3. Moving the saw straight at a constant speed will produce optimum cutting.



**CAUTIONS**

- Before starting to saw, ensure that the saw blade has reached full speed revolution.
- Should the saw blade be stopped or made an abnormal noise during operation, turn off the switch immediately.
- Always take care in preventing the power cord from coming near the revolving saw blade.

**MOUNTING AND DISMOUNTING THE SAW BLADE****CAUTION**

To avoid serious accident, ensure the switch is in the OFF position, and the power source is disconnected.

**1. Dismounting the saw blade**

- (1) Set the cutting volume at maximum, and place the Circular Saw as shown in **Fig. 8**.
- (2) Depress the lock lever, lock the spindle, and remove the hexagonal-head bolt with the box wrench.
- (3) While holding the safety cover lever to keep the safety cover fully retracted into the saw cover, remove the saw blade.

**2. Mounting the Saw Blade:**

- (1) Thoroughly remove any sawdust which has accumulated on the spindle, bolt and washers.
- (2) As shown in **Fig. 9**, the side of Washer (A) with a projected center the same diameter as the inner diameter of the saw blade and the concave side of Washer (B) must be fitted to the saw blade sides.
  - \* Washer (A) is supplied for 2 types of saw blades with the hole diameters of 16 mm and 30 mm. (When buying the Circular Saw, one type of washer (A) is supplied.)
  - In case the hole diameter of your saw blade does not correspond to that of washer (A), please contact the shop where you purchased the Circular Saw.
- (3) To assure proper rotation direction of the saw blade, the arrow direction on the saw blade must coincide with the arrow direction on the saw cover.
- (4) Using the fingers, tighten the hexagonal-head bolt retaining the saw blade as much as possible. Then depress the lock lever, lock the spindle, and thoroughly tighten the bolt.

**CAUTION**

After having attached the saw blade, reconfirm that the lock lever is firmly secured in the prescribed position.

**MAINTENANCE AND INSPECTION****1. Inspecting the saw blade:**

Since use of a dull saw blade will degrade efficiency and cause possible motor malfunction, sharpen or replace the saw blade as soon as abrasion is noted.

**2. Inspecting the mounting screws:**

Regularly inspect all mounting screws and ensure that they are properly tightened. Should any of the screws be loose, retighten them immediately. Failure to do so could result in serious hazard.

**3. Inspecting the carbon brushes (Fig. 10)**

The motor employs carbon brushes which are consumable parts. Since an excessively worn carbon brush can result in motor trouble, replace the carbon brushes with new ones having the same carbon

brush No. shown in the figure when it becomes worn to or near the "wear limit". In addition, always keep carbon brushes clean and ensure that they slide freely within the brush holders.

**CAUTION**

- When replacing the new carbon brushes, always use genuine Hitachi carbon brushes with the number (56) specified in the drawing. The brake may not work if other than the specified carbon brushes are used.
- When the brake becomes ineffective, replace the carbon brushes with new ones.

**4. Replacing carbon brushes:**

Disassemble the brush caps with a slotted-head screwdriver. The carbon brushes can then be easily removed.

**5. Maintenance of the motor**

The motor unit winding is the very "heart" of the power tool.

Exercise due care to ensure the winding does not become damaged and/or wet with oil or water.

**6. Adjusting the base and saw blade to maintain perpendicularity:**

The angle between the base and the saw blade has been adjusted to 90°, however should this perpendicularity be lost for some reason, adjust in the following manner:

- (1) Turn the base face up (**Fig. 11**) and loosen the knob and wing-bolt (**Fig. 4 (A)**, **Fig. 4 (B)**).
- (2) Apply a square to the base and the saw blade and turning the slotted set screw with a slotted-head screwdriver, shift the position of the base to produce the desired right angle.

**7. Service parts list**

- A: Item No.
- B: Code No.
- C: No. Used
- D: Remarks

**CAUTION**

Repair, modification and inspection of Hitachi Power Tools must be carried out by an Hitachi Authorized Service Center.

This Parts List will be helpful if presented with the tool to the Hitachi Authorized Service Center when requesting repair or other maintenance.

In the operation and maintenance of power tools, the safety regulations and standards prescribed in each country must be observed.

**MODIFICATIONS**

Hitachi Power Tools are constantly being improved and modified to incorporate the latest technological advancements.

Accordingly, some parts (i.e. code numbers and/or design) may be changed without prior notice.

**NOTE**

Due to HITACHI's continuing program of research and development, the specifications herein are subject to change without prior notice.

---

## IMPORTANT

Correct connection of the plug

The wires of the main lead are coloured in accordance with the following code:

Blue: – Neutral  
Brown: – Live

As the colours of the wires in the main lead of this tool may not correspond with the coloured markings identifying the terminals in your plug proceed as follows:

The wire coloured blue must be connected to the terminal marked with the letter N or coloured black.

The wire coloured brown must be connected to the terminal marked with the letter L or coloured red.

Neither core must be connected to the earth terminal.

## NOTE

This requirement is provided according to BRITISH STANDARD 2769: 1984.

Therefore, the letter code and colour code may not be applicable to other markets except The United Kingdom.

---

---

## Information concerning airborne noise and vibration

The measured values were determined according to EN50144.

The typical A-weighted sound pressure level:

94 dB (A) (C 6BU)  
95 dB (A) (C 7BU)

The typical A-weighted sound power level:

107 dB (A) (C 6BU)  
108 dB (A) (C 7BU)

Wear ear protection.

The typical weighted root mean square acceleration value does not exceed 2.5 m/s<sup>2</sup>.

---

---

## ● Information about power supply system of nominal voltage 230 V~ (For C7BU only)

Under unfavorable mains conditions, this power tool may cause *transient voltage drops* or *interfering voltage fluctuations*.

This power tool is intended for the connection to a power supply system with a maximum permissible system impedance  $Z_{MAX}$  of 0.44 Ohm at the interface point (power service box) of the user's supply.

The user has to ensure that this power tool is connected only to a power supply system which fulfills the requirement above.

If necessary, the user can ask the public power supply company for the system impedance at the interface point.

---

## ALLGEMEINE VORSICHTSMASSNAHMEN

**WARNUNG!** Bei der Verwendung von Elektrowerkzeugen müssen immer die grundlegenden Vorsichtsmaßnahmen befolgt werden, um das Risiko von Feuer, elektrischem Schlag und persönlicher Verletzung und den nachfolgenden Punkten zu vermeiden.

Lesen Sie diese Anweisungen völlig, bevor Sie dieses Erzeugnis verwenden, und bewahren Sie diese Anweisungen auf.

Für sicheren Betrieb:

1. Der Arbeitsplatz sollte sauber gehalten werden. Unaufgeräumte Arbeitsplätze und Werkbänke erhöhen die Unfallgefahr.
2. Die Betriebsbedingungen beachten. Elektrowerkzeuge sollten nicht dem Regen ausgesetzt werden. Ebenfalls sollten Sie nicht an feuchten oder nassen Plätzen gebraucht werden. Der Arbeitsplatz sollte gut beleuchtet sein. Verwenden Sie Elektrowerkzeuge nicht an Orten, an denen die Gefahr von Feuer oder Explosion besteht.
3. Schutzmaßnahmen gegen elektrische Schläge treffen. Darauf achten, daß das Gehäuse nicht in Kontakt mit geerdeten Flächen kommt, z. (z.B. Rohre, Radiatoren, Elektroherde, Kühlschränke).
4. Kinder sollten vom Gerät ferngehalten werden. Vermeiden, daß andere Personen mit dem Werkzeug oder Verlängerungskabel in Kontakt kommen.
5. Nicht benutzte Werkzeuge sollten sicher aufbewahrt werden. Sie sollten an einem trockenen und verschließbaren Ort aufbewahrt werden, damit Kinder sie nicht in die Hände bekommen.
6. Werkzeuge sollten nicht mit übermäßiger Gewalt verwendet werden. Ihre Leistung ist besser und sicherer, wenn sie mit der vorgeschriebenen Geschwindigkeit verwendet werden.
7. Nur die korrekten Werkzeuge verwenden. Niemals ein kleineres Werkzeug oder Zusatzgerät für Arbeiten verwenden, die Hochleistungsgeräte erfordern. Nur Werkzeuge verwenden, die dem Verwendungszweck entsprechen, d.h. niemals eine Kreissäge zum Sägen von Ästen oder Baumstämmen verwenden.
8. Die richtige Kleidung tragen. Keine lose Kleidung oder Schmuck tragen, da sich lose Kleidungsstücke in den bewegenden Teilen verfangen können. Bei Arbeiten im Freien sollten Gummihandschuhe und rutschfeste Schuhe getragen werden.
9. Es sollte eine Sicherheitsbrille getragen werden. Bei Arbeiten mit Staubeentwicklung sollte eine Gesichtsmaske oder Staubmaske getragen werden.
10. Schließen Sie eine Staubabsaugvorrichtung an. Wenn Vorrichtungen für den Anschluß von Staubabsaug- und -sammelvorrichtungen vorhanden sind, so stellen Sie sicher, daß diese angeschlossen sind und richtig verwendet werden.
11. Niemals das Kabel mißbrauchen. Ein Werkzeug niemals am Kabel tragen oder bei Abtrennung von der Steckdose das Kabel herausreißen. Das Kabel sollte gegen Hitze, Öl und scharfe Kanten geschützt werden.
12. Den Arbeitsplatz gut absichern. Zwingen oder einen Schraubstock zur Befestigung des Werkstücks verwenden. Das ist sicherer als die Benutzung der Hände und macht beide Hände zur Bedienung des Werkzeugs frei.
13. Sich niemals weit überbeugen. Immer einen festen Stand und ein sicheres Gleichgewicht bewahren.
14. Die Werkzeuge sollten sorgfältig behandelt werden. Für einen einwandfreien und sicheren Betrieb sollten sie stets scharf sein und saubergehalten werden. Die Anleitungen für Schmierung und

Austausch des Zuehørs unbedingt einhalten. Die Kabel der Geräte regelmäßig überprüfen und bei Beschädigung durch eine autorisierte Kundendienststelle reparieren lassen.

Ebenfalls die Verlängerungskabel regelmäßig überprüfen und bei Beschädigung auswechseln. Die Handgriffe sollten stets trocken und sauber sein, sowie keine Öl- oder Schmierfett stellen aufweisen.

15. Werkzeuge vom Netz trennen, wenn sie nicht benutzt werden, vor Wartungsarbeiten und beim Austausch von Zubehörteilen wie z.B. Blätter, Bohrer und Messer.
16. Alle Stellkeile und Schraubenschlüssel entfernen. Vor Einschaltung des Gerätes darauf achten, daß alle Stellkeile und Schraubenschlüssel entfernt worden sind.
17. Ein unbeabsichtigtes Einschalten sollte vermieden werden. Niemals ein angeschlossenes Werkzeug mit dem Finger am Schalter tragen. Vor Anschluß überprüfen, ob das Gerät ausgeschaltet ist.
18. Im Freien ein Verlängerungskabel verwenden. Nur ein Verlängerungskabel verwenden, das für die Verwendung im Freien markiert ist.
19. Den Arbeitsvorgang immer unter Kontrolle haben. Das Gerät niemals in einem abgespannten Zustand verwenden.
20. Beschädigte Teile überprüfen. Vor Benutzung des Werkzeugs sollten beschädigte Teile oder Schutzvorrichtungen sorgfältig überprüft werden, um festzustellen, ob sie einwandfrei funktionieren und die vorgesehene Funktion erfüllen. Ausrichtung, Verbindungen sowie Anbringung sich bewegender Teile überprüfen. Ebenfalls überprüfen, ob Teile gebrochen sind. Teile oder Schutzvorrichtungen, die beschädigt sind, sollten, wenn in dieser Bedienungsanleitung nichts anderes erwähnt ist, durch eine autorisierte Kundendienststelle ausgetauscht oder repariert werden. Dasselbe gilt für defekte Schalter. Wenn sich das Werkzeug nicht mit dem Schalter einoder ausschalten läßt, sollte das Werkzeug nicht verwendet werden.
21. Warnung  
Die Verwendung von anderem Zubehör oder anderen Zusätzen als in dieser Bedienungsanleitung empfohlen kann das Risiko einer Körperverletzung einschließen.
22. Lassen Sie Ihr Werkzeug durch qualifiziertes Personal reparieren. Dieses Elektrowerkzeug entspricht den zutreffenden Sicherheitsanforderungen. Reparaturen sollten nur von qualifiziertem Personal unter Verwendung von Originalersatzteilen durchgeführt werden, da sonst beträchtliche Gefahr für den Benutzer auftreten kann.

## VORSICHTSMASSNAHMEN BEI DER BENUTZUNG DER KREISSÄGE

1. Nicht verbogene oder gerissene Sägeblätter verwenden.
2. Nicht Sägeblätter aus getempertem Stahl verwenden.
3. Nicht Sägeblätter verwenden, die nicht mit den in dieser Anweisung gegebenen Regeln übereinstimmen.
4. Nicht die Sägeblätter durch seitlichen Druck auf die Scheibe stoppen.
5. Die Sägeblätter immer scharf halten.
6. Die Schutzhaube muß sich leicht und frei bewegen.
7. Die Kreissäge nie benutzen, wenn die Schutzhaube in offener Position arretiert ist.
8. Immer sicherstellen, daß der Rückzugmechanismus des Schutzsystems richtig arbeitet.

9. Die Sägeblätter müssen dünner sein als der Spaltkeil und die Breite des Schnittes, der Kerbschnitt (mit eingesetzten Zähnen) muß größer sein als die Stärke des Spaltkeils.
10. Die Kreissäge nie mit schräggehendem oder seitlich stehendem Sägeblatt einsetzen.
11. Immer darauf achten, daß das Werkstück keine fremden Gegenstände wie Nägel enthält.
12. Der Spaltkeil soll immer verwendet werden, ausgenommen wenn in die Mitte des Werkstücks gesenkt wird.
13. Für Modell C 6BU soll der Sägeblattbereich von 165 mm bis 150 mm reichen.  
Für Modell C 7BU soll der Sägeblattbereich von 185 mm bis 170 mm reichen.
14. Achten Sie auf Rückschlag von der Bremse. Diese Kreissäge hat eine elektrische Bremse, die bei Freigabe des Schalters tätig wird. Halten Sie die Kreissäge sicher fest, da es bei Tätigwerden der Bremse zu einem gewissen Rückschlag kommt.
15. Beim Ausschalten kann es manchmal durch Bremsbetrieb zum Auftreten von Funken kommen, da die Modelle C6BU und C7BU elektrische Bremsen verwenden. Diese Erscheinung zeigt jedoch keine Störung der Kreissäge an.
16. Wenn die Bremse unwirksam wird, so ersetzen Sie die Kohlebürsten durch neue.
17. Ziehen Sie den Stecker des Netzkabels aus der Steckdose, bevor Sie Einstellungen, Pflege oder Wartung durchführen.

## TECHNISCHE DATEN

Modell		C 6BU	C 7BU
Spannung (je nach Gebiet)*		(110V, 230V) ~	
Schnitttiefe	90°	54 mm	63 mm
	45°	39 mm	45 mm
Leistungsaufnahme*		1010W	1150W
Leeraufdrehzahl		5000/min	
Gewicht (ohne Kabel)		3,5 kg	4,0 kg

\*Vergessen Sie nicht, die Produktangaben auf dem Typenschild zu überprüfen, da sich diese je nach Verkaufsgebiet ändern.

## STANDARDZUBEHÖR

- (1) Sägeblatt (am Werkzeug befestigt) ..... 1  
 ( Durchmesser 165 mm ..... C 6BU )  
 ( Durchmesser 185 mm ..... C 7BU )
  - (2) Steckschlüssel ..... 1
  - (3) Parallelanschlag ..... 1
  - (4) Flügelschraube ..... 1
- Das Standardzubehör kann ohne vorherige Bekanntmachung jederzeit geändert werden.

## SONDERZUBEHÖR (separat zu beziehen)

- (1) Staubfangsatz (D)  
Schließen Sie den Saugschlauch zum Absaugen von Staub an dem Staubsauger an (siehe **Abb. 12**).
- (2) Unterlegscheibe (A)  
..... für 16 mm (Lochdurch messern des Sägehlatles)  
..... für 30 mm (Lochdurch messern des Sägehlatles)
- (3) Führungsschienenadapter (siehe **Abb. 13**).  
Das Sonderzubehör kann ohne vorherige Bekanntmachung jederzeit geändert werden.

## ANWENDUNG

Schneiden verschiedener Holzarten.

## VOR INBETRIEBNAHME

1. **Netzspannung**  
Prüfen, daß die zu verwendende Netzspannung der Angabe auf dem Typenschild entspricht.
2. **Netzschalter**  
Prüfen, daß der Netzschalter auf "AUS" steht. Wenn der Stecker an das Netz angeschlossen wird, während der Schalter auf "EIN" steht, beginnt das Werkzeug sofort zu laufen, was gefährlich ist.

### 3. Verlängerungskabel

Wenn der Arbeitsbereich nicht in der Nähe des Netzanschlusses liegt, ist ein Verlängerungskabel ausreichenden Querschnitts und ausreichender Nennleistung zu verwenden. Das Verlängerungskabel sollte so kurz wie möglich gehalten werden.

### 4. Schaffung einer hölzernen Werkbank (**Abb. 1**)

Da das Sägeblatt über die Unterkante des Schnittholzes hinausragt, wird das Schnittholz beim Schneiden auf eine Werkbank gelegt. Wenn ein Holzklotz als Untergestell verwendet wird, ist ein ebener Untergrund zu wählen, damit dieser fest liegt. Ein nichtstabiles Untergestell ist gefährlich.

### ACHTUNG

Um einen möglichen Unfall zu vermeiden, ist immer darauf zu achten, daß der nach dem Schneiden verbleibende Teil des geschnittenen Holzes gut verankert ist oder in Position gehalten wird.

## EINSTELLUNG VOR DEM SCHNEIDEN

### 1. Einstellen der Schnitttiefe

Mit der einen Hand den Stellknopf lösen und dabei, wie in **Abb. 2** dargestellt, mit der anderen Hand das Werkzeug am Handgriff halten. Die Kerbtiefe kann durch Ausrichten der Auflage in die gewünschte Position eingestellt werden. Die Schnitttiefe auf diese Weise einstellen und anschließend den Stellknopf wieder festziehen.

### 2. Einstellen des Spaltkeils

Die Sechskantmutter, mit der der Spaltkeil festgeklemt ist, wird gelockert, der Spaltkeil in die in **Abb. 3** gezeigte Position gebracht und die Mutter fest angezogen.

### 3. Einstellen des Schrägwinkels

Durch Lösen der Flügelschrauben der Schräglehre kann, wie in **Abb. 4 (A)** und **Abb. 4 (B)** dargestellt, das Sägeblatt bis zu maximal 45° zur Grundplatte gekippt

werden. Nach der Einstellung prüfen, ob der Stellknopf und die Flügelschrauben fest angezogen sind.

#### 4. Einstellung des Parallelenschlags (Abb. 5)

Die Schniedposition kann durch Verstellen des Parallelenschlags nach rechts oder links nach Losdrehen der Flügelschraube verstellt werden. Der Parallelenschlag kann an der rechten oder an der linken Seite des Werkzeugs angebracht sein.

#### 5. Einstellen des Führungstücks

An der Kreissäge ist es möglich, Feineinstellung für die Befestigungsposition des Führungstücks durchzuführen, wo das Sägeblatt und die vormarkierte Linie auszurichten sind.

Beim Versand der Säge ab Werk ist der lineare Abschnitt der vorderen Skala am Führungstück auf die Mitte des Sägeblatts ausgerichtet. (Abb. 6)

Lösen Sie die Befestigungsschraube am Führungstück, wenn die Befestigungsposition nicht korrekt ist, und führen Sie die erforderliche Positionseinstellung durch.

(3) Der Hebel des Schutzdeckels wird festgehalten, so daß der Schutzdeckel ganz in den Sägeschutz geklappt ist, dann wird das Sägeblatt herausgenommen.

#### 2. Einbauen des Sägeblattes

(1) Sägemehl von Achse und Unterlegscheiben abwischen.

(2) Gemäß Abb. 9 muß die Seite der Unterlegscheibe (A) mit einem vorstehenden Mittelstück mit demselben Durchmesser wie der Innendurchmesser des Sägeblattes und die konkave Seite der Unterlegscheibe (B) an beiden Seiten des Sägeblattes angebracht werden.

\* Im Lieferumfang ist eine Unterlegscheibe (A) für die zwei Sägeblatttypen mit den Lochdurchmessern 16 mm und 30 mm enthalten.

(Beim Kauf der Kreissäge wird ein Unterlegscheibentyp (A) mitgeliefert).

Falls der Lochdurchmesser Ihres Sägeblattes nicht der Unterlegscheibengröße (A) entspricht, wenden Sie sich bitte an den Fachhandel, bei dem die Kreissäge gekauft wurde.

(3) Das Sägeblatt so montieren, daß der Pfeil auf dem Sägeblatt auf den Pfeil auf dem Sägeblattdeckel ausgerichtet ist.

(4) Die das Sägeblatt haltende Sechskantkopfschraube von Hand so fest wie möglich anziehen. Anschließend den Sicherungshebel herunterdrücken, die Achse verriegeln und die Schraube fest anziehen.

#### VORSICHT

Nach dem Anbringen des neuen Sägeblattes sich vergewissern, daß der Sperrhebel in die vorgeschriebene Position gestellt ist.

## SCNEIDEVERFAHREN

1. Setzen Sie die Basis auf das Material, und richten Sie dann die vormarkierte Linie und das Sägeblatt mit der vorderen Skala des Führungstücks an der Vorderseite der Basis aus. (Abb. 6)

Verwenden Sie die große vordere Skala als Führung, wenn die Basis nicht geneigt ist. (Abb. 6, Abb. 7(A))

Verwenden Sie die kleine vordere Skala als Führung, wenn die Basis geneigt ist. (Abb. 6, Abb. 7(B))

2. Es ist darauf zu achten, daß der Schalter auf "EIN" geschaltet ist, ehe das Sägeblatt mit dem Schnittholz in Berührung kommt. Der Schalter wird eingeschaltet, wenn der Drücker eingedrückt wird und ausgeschaltet, wenn der Drücker losgelassen wird.

3. Um einen sauberen Schnitt zu erzielen, das Sägeblatt mit gleichbleibender Geschwindigkeit nach vorn bewegen.

#### ACHTUNG

○ Ehe mit dem Sägen begonnen wird, muß das Sägeblatt die volle Umdrehungsgeschwindigkeit erricht haben.

○ Bleibt das Sägeblatt hängen oder macht es ein ungewöhnliches Geräusch während des Schneidens, ist der Schalter sofort auszuschalten.

○ Das Anschlußkabel darf niemals in die Nähe des laufenden Sägeblattes kommen.

## ANBRINGEN UND ENTFERNEN DES SÄGEBLATTES

#### ACHTUNG

Als Vorbeugemaßnahme gegen Unfälle ist darauf zu achten, daß der Schalter auf "AUS" steht und der Netzanschluß unterbrochen ist.

#### 1. Ausbauen des Sägeblattes

(1) Die Grundplatte auf maximale Schnitttiefe einstellen und die Kreissäge wie in Abb. 8 gezeigt ausrichten.

(2) Den Sicherungshebel herunterdrücken, die Achse verriegeln und die Sechskantkopfschraube mit dem Steckschlüssel festziehen.

## WARTUNG UND INSPEKTION

#### 1. Inspektion des Sägeblattes:

Da durch ein stumpfes Sägeblatt die Leistung abnimmt und ein mögliches Versagen des Motors verursacht wird, muß das Sägeblatt geschärft oder ersetzt werden, sobald Verschleiß festgestellt wird.

#### 2. Inspektion der Befestigungsschrauben:

Alle Befestigungsschrauben werden regelmäßig inspiziert und geprüft, ob sie gut angezogen sind. Wenn sich eine der Schrauben lockert, muß sie sofort wieder angezogen werden. Geschieht das nicht, kann das zu erheblichen Gefahren führen.

#### 3. Inspektion der Kohlebürsten: (Abb. 10)

Im Motor sind Kohlebürsten verwendet, die Verbrauchsteile sind. Übermäßig abgenutzte Kohlebürsten führen zu Motor, problemen.

Deshalb wird eine Kohlebürste durch eine neue ersetzt, die dieselbe Nummer trägt wie auf der Abbildung gezeigt, wenn sie teilweise oder ganz verbraucht ist. Darüber hinaus müssen die Kohlebürsten immer sauber gehalten werden und müssen sich in der Halterung frei bewegen können.

#### VORSICHT:

○ Beim Auswechseln der Kohlebürsten immer neue Hitachi-Kohlebürsten mit der in der Zeichnung festgelegten Nummer (56) verwenden.

Wenn andere als die festgelegten Kohlebürsten verwendet werden, funktioniert die Bremse möglicherweise nicht.

○ Wenn die Bremse unwirksam wird, so ersetzen Sie die Kohlebürsten durch neue.

#### 4. Austausch einer Kohlebürste:

Der Bürstendeckel wird mit einem Steckschlüssel abmontiert. Dann kann die Kohlebürste leicht entfernt werden.

#### 5. Wartung des Motors:

Die Motorwicklung ist das "Herz" des Elektrowerkzeugs. Daher ist besonders sorgfältig darauf zu achten, daß die Wicklung nicht beschädigt wird und/oder mit Öl oder Wasser in Berührung kommt.

#### 6. Einstellen der Rechtwinkligkeit zwischen Auflage und Sägeblatt:

Ursprünglich wurde der Winkel zwischen Sägeblatt und Auflage auf einen Winkel von 90° eingestellt. Geht die Rechtwinkligkeit jedoch verloren, in folgender Reihenfolge berichtigen:

- (1) Die Grundplatte nach oben weisend umdrehen (**Abb. 11**) und anschließend den Stilknopf und die Flügelschraube lösen (**Abb. 4 (A)**, **Abb. 4 (B)**).
- (2) Einen Winkel an Auflage und Sägeblatt anlegen und die Schaftschraube mit einem Treiber drehen, um so die Auflage zu verschieben. Auflage und Sägeblatt so einstellen, da eine Rechtwinkligkeit hergestellt wird.

#### 7. Liste der Wartungsteile

- A: Punkt Nr.
- B: Code Nr.
- C: Verwendete Anzahl
- D: Bemerkungen

#### ACHTUNG

Reparatur, Modifikation und Inspektion von Hitachi-Elektrowerkzeugen müssen durch ein autorisiertes Hitachi-Kundendienstzentrum durchgeführt werden. Diese Teileliste ist hilfreich, wenn sie dem autorisierten Hitachi-Kundendienstzentrum zusammen mit dem Werkzeug für Reparatur oder Wartung ausgehändigt wird.

Bei Betrieb und Wartung von Elektrowerkzeugen müssen die Sicherheitsvorschriften und Normen beachtet werden.

#### MODIFIKATIONEN

Hitachi-Elektrowerkzeuge werden fortwährend verbessert und modifiziert, um die neuesten technischen Fortschritte einzubauen. Dementsprechend ist es möglich, daß einige Teile (z.B. Codenummern bzw. Entwurf) ohne vorherige Benachrichtigung geändert werden.

#### ANMERKUNG

Aufgrund des ständigen Forschungs- und Entwicklungsprogramms von HITACHI sind Änderungen der hierin gemachten technischen Angaben nicht ausgeschlossen.

---

#### Information über Betriebslärm und Vibration

Die Meßwerte wurden entsprechend EN50144 bestimmt.

Der typische A-gewichtete Schalldruck ist 94 dB (A) (C 6BU), 95 dB (A) (C 7BU).

Der typische A-gewichtete Schalleistungspegel ist 107dB (A) (C 6BU), 108 dB (A) (C 7BU).

Bei der Arbeit immer einen Ohrenschutz tragen.

Der typische gewichtete Effektiv-Beschleunigungswert überschreitet nicht 2,5 m/s<sup>2</sup>.

---

#### ● Informationen zum Stromversorgungssystem mit einer Nennspannung von 230 V oder mehr (Nur für C7BU)

Unter ungünstigen Netzbedingungen kann dieses Elektrowerkzeug *vorübergehenden Spannungsabfall* oder *störende Spannungsschwankungen* verursachen.

Dieses Elektrowerkzeug ist vorgesehen für den Anschluss an ein Stromversorgungssystem mit einer maximal zulässigen Systemimpedanz  $Z_{MAX}$  von 0,44 Ohm an der Schnittstelle (Anschlusskasten) des Benutzers.

Der Benutzer muss sicherstellen, dass dieses Elektrowerkzeug nur an ein Stromversorgungssystem angeschlossen wird, das die obige Anforderung erfüllt. Wenn erforderlich, kann sich der Benutzer für die Systemimpedanz an der Schnittstelle an die öffentliche Stromversorgungsgesellschaft wenden.

---

## **PRECAUTIONS GENERALES DE TRAVAIL**

**ATTENTION!** Lors de l'utilisation d'un outillage électrique, les précautions de base doivent être respectées de manière à réduire les risques d'incendie, de secousse électrique et de blessure corporelle, y compris les précautions suivantes.

Lire ces instructions avant d'utiliser le produit et conserver ces instructions pour référence.

Pour assurer un fonctionnement sûr:

1. Maintenir l'aire de travail propre. Des ateliers ou des établis en désordre risquent de provoquer des accidents.
2. Tenir compte de l'environnement de l'aire de travail. Ne pas exposer les outils électriques à la pluie.  
Ne pas les utiliser dans des endroits humides. Travailler dans un endroit bien éclairé.  
Ne pas utiliser d'outillage électrique s'il existe un risque d'incendie ou d'explosion.
3. Protection contre une décharge électrique. Eviter tout contact corporel avec des surfaces de mise à la terre telles que les tuyaux, radiateurs, cuisinières et réfrigérateurs.
4. Tenir les enfants éloignés. Ne pas laisser les visiteurs toucher l'outil ou son cordon d'alimentation. Il est préférable de tenir les visiteurs à l'écart de l'aire de travail.
5. Ranger les outils non utilisés. Quand on ne les utilise pas, il est recommandé de ranger les outils dans un endroit sec, verrouillé ou hors de portée des enfants.
6. Ne pas forcer l'outil. Il fonctionnera mieux et plus sûrement à la vitesse pour laquelle il a été conçu.
7. Utiliser l'outil approprié. Ne pas essayer de faire avec un petit outil le travail prévu pour un outil plus important. Toujours utiliser l'outil adéquat; par exemple, ne pas se servir d'une scie circulaire pour couper des branches d'arbres ou des billots de bois.
8. Porter des vêtements appropriés. Ne pas mettre de vêtements flottants ou de bijoux qui risquent d'être pris dans les pièces mobiles. Si l'on travaille à l'extérieur, il est recommandé de porter des gants de caoutchouc et des chaussures à semelles antidérapantes. Veiller à s'attacher les cheveux ou à mettre un bonnet si on a les cheveux longs.
9. Porter des lunettes protectrices. Mettre un masque si l'opération de coupe crée de la poussière.
10. Relier l'équipement d'extraction de poussière.  
Si des dispositifs sont prévus pour le raccordement d'installations d'extraction et de collection de poussière, s'assurer qu'ils sont correctement raccordés et utilisés.
11. Prendre soin du fil. Ne jamais transporter l'outil en le tenant par le fil et ne pas le débrancher en tirant sur le fil d'un coup sec. Tenir le fil à l'abri de la chaleur, l'éloigner de l'huile ou de bords tranchants.
12. Fixer fermement la pièce à travailler. Utiliser des agrafes ou un étau pour la maintenir. C'est plus sûr que d'utiliser ses mains et cela les libère pour faire fonctionner l'outil.
13. Ne pas présumer de ses forces. Essayer de garder son équilibre en toute circonstance.
14. Entretien des outils avec soin. Les conserver bien aiguisés et les nettoyer afin d'en obtenir les meilleures performances et de pouvoir les utiliser sans danger. Suivre les instructions pour le graissage et le changement des accessoires. Vérifier régulièrement les fils et cordons et s'ils sont endommagés, les faire réparer par une personne compétente. Vérifier régulièrement les

rallonges et les remplacer si elles sont endommagées. Veiller à ce que les poignées soient toujours sèches et propres, sans huile ni graisse.

15. Débrancher les outils lorsqu'on ne les utilise pas, avant toute opération d'entretien et lors du changement d'accessoire; comme par exemple quand on change les lames, les forets, les fraises, etc.
16. Retirer les clés de réglage. Prendre l'habitude de toujours vérifier que les clés de réglage sont bien retirées de l'appareil avant de le mettre en marche.
17. Eviter toute mise en marche accidentelle. Ne pas transporter l'outil branché avec un doigt sur l'interrupteur. S'assurer que l'interrupteur est sur la position d'arrêt quand on branche l'outil.
18. Utilisation de rallonges à l'extérieur. Quand on utilise l'outil à l'extérieur, ne se servir que des rallonges prévues pour l'extérieur et portant une marque distinctive.
19. Soyez vigilant. Regardez bien ce que vous faites. Faites appel à votre bon sens. N'utilisez pas l'outil quand vous êtes fatigué.
20. Vérifier les pièces endommagées. Avant d'utiliser davantage l'outil, vérifier attentivement toute pièce endommagée afin de déterminer si l'outil peut fonctionner correctement et effectuer le travail pour lequel il est prévu. Vérifier l'alignement et la flexion des pièces mobiles, la cassure des pièces, le montage et toute autre condition risquant d'affecter le bon fonctionnement de l'outil. Un protecteur ou toute autre pièce endommagée devra être correctement réparé ou remplacé par un service d'entretien autorisé, sauf autre indication dans ce mode d'emploi. Faire remplacer les interrupteurs défectueux par un service d'entretien autorisé. Ne pas utiliser l'outil si l'interrupteur ne permet pas de le mettre en marche ou de l'arrêter.
21. Précaution  
L'utilisation d'un accessoire ou dispositif annexe autre que ceux conseillés dans ce mode d'emploi peut entraîner un risque de blessure corporelle.
22. Confier la réparation d'un outil à un technicien qualifié. Cet outil électrique a été conçu conformément aux règles de sécurité en usage. Les réparations doivent être effectuées par du personnel qualifié utilisant des pièces d'origine. Dans le cas contraire, l'utilisateur s'expose à des risques graves.

## **PRECAUTIONS POUR L'UTILISATION DE LA SCIE CIRCULAIRE**

1. Ne pas utiliser de lames déformées ou fendues.
2. Ne pas utiliser de lames en acier à coupe rapide.
3. Ne pas utiliser de lames ne correspondant pas aux caractéristiques spécifiées dans ces instructions.
4. Ne pas arrêter les lames de la scie par pression latérale sur le disque.
5. Conserver toujours les lames aiguisées.
6. S'assurer que le capot de sécurité déplace sans heurts et librement.
7. Ne jamais utiliser la scie circulaire avec son capot de sécurité fixé en position ouverte.
8. S'assurer que le mécanisme de rétraction du système de protection fonctionne correctement.
9. Les lames de la scie doivent être plus minces que la lame fendue et la largeur de la coupe, ou de l'entaille (avec un jeu de dents) doit être plus importante que l'épaisseur de la lame fendue.
10. Ne jamais utiliser la scie circulaire avec la lame tournée vers le haut ou sur le côté.
11. Vérifier que la pièce à couper est dépourvue de corps étrangers comme des clous.

12. La lame fendue doit toujours être utilisée sauf quand la scie attaque le milieu de la pièce de travail.
13. Pour le modèle C 6BU, la plage de tailles des lames de la scie va de 165 mm à 150 mm. Pour le modèle C 7BU, la plage de tailles des lames de la scie va de 185 mm à 170 mm.
14. Faire attention au retour de frein. Cette scie circulaire possède un frein électrique qui fonctionne lorsqu'on relâche l'interrupteur. Etant donné qu'il y a un certain phénomène de retour lorsque le frein fonctionne, bien tenir le corps principal fermement.
15. Il peut arriver que des étincelles se produisent lors d'une opération de freinage lorsqu'on coupe le commutateur car les modèles C6BU et C7BU sont équipés de freins électriques. Néanmoins, ce phénomène est normal et il ne signale pas une défaillance de l'outil.
16. Lorsque le frein n'est plus efficace, remplacer les balais en carbone par des neufs.
17. Débrancher la fiche de la prise avant toute opération de réglage, réparation ou entretien.

## SPECIFICATIONS

Modèle		C 6BU	C 7BU
Tension (par zone)*		(110V, 230V) ~	
Profondeur de coupe	90°	54 mm	63 mm
	45°	39 mm	45 mm
Puissance*		1010W	1150W
Vitesse hors charge		5000/min	
Poids (sans fil)		3,5 kg	4,0 kg

\*Assurez-vous de vérifier la plaque signalétique sur le produit qui peut changer suivant les régions.

## ACCESSOIRES STANDARD

- (1) Lame de scie (montée sur l'outil) ..... 1  
 ( Diam. 165 mm ..... C 6BU )  
 ( Diam. 185 mm ..... C 7BU )
  - (2) Clef à béquille ..... 1
  - (3) Pièce de guidage ..... 1
  - (4) Boulon-papillon ..... 1
- Les accessoires standard sont sujets à changement sans préavis.

## ACCESSOIRES EN OPTION (Vendus séparément)

- (1) Ensemble de collecteur à poussière (D)  
Connecter le tuyau de l'aspirateur (voir la Fig. 12).
- (2) Rondelle (A)  
..... pour 16 mm (diam. d'orifice de la lame de scie)  
..... pour 30 mm (diam. d'orifice de la lame de scie)
- (3) Adaptateur pour rail de guidage (voir la Fig. 13)

Les accessoires en option sont sujets à changement sans préavis.

## APPLICATION

La coupe du bois.

## AVANT LA MISE EN MARCHÉ

### 1. Source de puissance

S'assurer que la source de puissance à utiliser correspond à la puissance indiquée sur la plaque signalétique du produit.

### 2. Interrupteur de puissance

S'assurer que l'interrupteur de puissance est en position ARRÊT. Si la fiche est branchée alors que l'interrupteur est sur MARCHÉ, l'outil démarre immédiatement et peut provoquer un grave accident.

### 3. Fil de rallonge

Lorsque la zone de travail est éloignée de la source de puissance, utiliser un fil de rallonge d'une épaisseur suffisante et d'une capacité nominale suffisante. Le fil de rallonge doit être aussi court que possible.

### 4. Préparation d'un support en bois (Fig. 1)

Pour que la lame dépassera la surface inférieure du morceau de bois, placer le morceau de bois sur un support pour la coupe. Si vous utilisez un bloc carré, choisissez un sol plat pour être sûr qu'il repose de manière stable. Un support instable peut entraîner un fonctionnement dangereux.

### ATTENTION

Afin d'éviter un possible accident, s'assurer toujours que la portion de bois restant après la coupe est bien ancrée ou maintenue en place.

## REGLAGE AVANT LE TRAVAIL

### 1. Réglage de la profondeur de coupe:

Desserrer le bouton d'une main tout en tenant la poignée de l'autre, comme illustré à la Fig. 2. Il est possible d'ajuster la profondeur de la fente en déplaçant la base sur la position souhaitée. Régler de cette manière la profondeur de coupe, puis bien resserrer le bouton.

### 2. Réglage du couteau:

Desserrer le bouton à tête hexagonale utilisé pour fixer le couteau, régler ce dernier dans la position de la Fig. 3, et resserrer le boulon.

### 3. Réglage de l'angle d'inclinaison:

Comme illustré aux Fig. 4 (A) et 4 (B), le fait de desserrer le bouton sur la jauge inclinée et le boulon-papillon sur la base permet de faire basculer la lame de la scie jusqu'à 45° maximum par rapport à la base. Lorsque le réglage est terminé vérifier que le bouton et le bouton-papillon sont serrés à fond.



**4. Réglage de la pièce de guidage. (Fig. 5)**

La position de coupe peut être réglée en déplaçant la pièce de guidage vers la gauche ou la droite après avoir desserré son boulon à oreilles. La pièce de guidage peut être montée soit du côté gauche soit du côté droit de l'outil.

**5. Réglage de la pièce de guidage**

Sur la scie circulaire, il est possible d'effectuer un réglage fin de la position de fixation de la pièce de guidage, là où la lame de scie et la ligne prémarquée doivent s'aligner.

Quand la scie quitte nos usines, la section linéaire de l'échelle avant de la pièce de guidage est alignée sur la position centrale de la lame de scie. (Fig. 6)

Si la position de fixation est incorrecte, desserrer la vis fixée sur la pièce de guidage, et régler la position comme il convient.

\* La rondelle (A) est fournie pour les deux types de lame de scie de diamètre d'orifice de 16 mm et 30 mm (lors de l'achat de la scie circulaire, un type de rondelle (A) est fourni).

Si le diamètre d'orifice de la lame de scie ne correspond pas à la rondelle (A), consulter le vendeur de la scie circulaire.

(3) Monter la scie de telle sorte que sa flèche soit alignée avec celle prévue sur le couvercle de scie.

(4) Serrer autant que possible avec les doigts le boulon d'épaulement à tête hexagonale fixant la lame de scie. Appuyer ensuite sur le levier de verrouillage, verrouiller la tige et bien serrer le boulon.

**ATTENTION**

Lorsque la lame de la scie est montée, vérifier que le levier de blocage est bien fixé dans la position indiquée.

**PROCEDURES DE COUPAGE**

1. Placer le socle sur le matériau, puis aligner la lame de scie sur le trait d'encre pré-marqué avec l'échelle avant de la pièce de guidage à l'avant du socle. (Fig. 6)

Si le socle n'est pas incliné, utiliser la grosse découpe comme guide. (Fig. 6, Fig. 7 (A)) Si le socle est incliné (45 degrés), utiliser l'échelle avant comme guide. (Fig. 6, Fig. 7 (B))

2. S'assurer que l'interrupteur est en position MARCHE lorsque la lame de la scie entre en contact avec le bois. L'interrupteur est en position MARCHE lorsqu'on appuie sur la détente et en position ARRÊT lorsqu'on relâche la détente.

3. Un déplacement droit de la scie à vitesse constante assure une coupe optimale.

**ATTENTION**

- Avant de commencer de scier, s'assurer que la lame a atteint sa pleine vitesse.
- Si la lame s'arrête ou fait un bruit anormal pendant le fonctionnement, couper aussitôt l'interrupteur.
- Veiller toujours à ce que le fil électrique n'approche pas de la lame en rotation.

**MONTAGE ET DEMONTAGE DE LA LAME**

**ATTENTION**

Pour éviter un grave accident, s'assurer que l'interrupteur est en position ARRÊT et que la source de puissance est débranchée.

**1. Dépose de la lame de la scie:**

- (1) Régler le volume de coupe au maximum, et placer la scie circulaire suivant la Fig. 8.
- (2) Agir sur le levier de la goupille, verrouiller l'arbre et enlever le boulon à tête hexagonale à l'aide de la clé.
- (3) Retirer la lame de la scie en tenant le levier du capot de sécurité de manière à maintenir le capot de sécurité entièrement dans le capot de la scie.

**2. Mise en place de la lame de scie:**

- (1) Enlever toute sciure présente sur l'arbre et les rondelles.
- (2) Suivant la Fig. 9, le côté de la rondelle (A) qui a une partie centrale avancée du même diamètre que le diamètre intérieur de la lame et le côté concave de la rondelle (B) doivent être fixés aux côtés de la lame de la scie.

**ENTRETIEN ET CONTROLE**

**1. Contrôle de la lame:**

Comme une lame émoussée diminue l'efficacité et peut provoquer un mauvais fonctionnement, aiguiser et remplacer la lame dès que des traces d'abrasion sont visibles.

**2. Contrôle des vis de montage:**

Vérifier régulièrement les vis de montage et s'assurer qu'elles sont correctement serrées. Resserrer immédiatement toute vis desserrée. Sinon, il y a danger sérieux.

**3. Contrôle des balais en carbone: (Fig. 10)**

Le moteur utilise des balais en carbone qui sont des pièces qui s'usent. Comme un balai en carbone trop usé peut détériorer le moteur, le remplacer par un nouveau du même No. que celui montré à la figure quand il est usé ou à la limite d'usage. En outre, toujours tenir les balais propres et veiller à ce qu'ils coulissent librement dans les supports.

**PRÉCAUTION:**

- Lors du remplacement des balais en carbone neufs, toujours utiliser des balais en carbone HITACHI d'origine ayant le numéro (56) spécifié sur le schéma. Le frein risque de ne pas fonctionner si l'on utilise d'autres balais en carbone que ceux spécifiés.
- Lorsque le frein n'est plus efficace, remplacer les balais en carbone par des neufs.

**4. Remplacement d'un balai en carbone:**

Démonter le capuchon du balai avec un tournevis à petite tête. Le balai en carbone peut se retirer facilement.

**5. Entretien du moteur:**

Le bobinage de l'ensemble moteur est le "cœur" même de l'outil électro-portatif. Veiller soigneusement à ce que ce bobinage ne soit pas endommagé et/ou mouillé par de l'huile ou de l'eau.

**6. Réglage de l'équerre entre la base et la lame de scie:**

L'angle formé par la lame de scie et la base de la machine a été réglé en usine pour rester à 90°; si cet angle est modifié régler comme suit:

- (1) Placer la base vers le haut (Fig. 11) et desserrer le bouton et le boulon-papillon (Fig. 4 (A), Fig. 4 (B)).
- (2) Placer une équerre entre la base et la lame de scie et tourner la vis sans fin à l'aide d'un tournevis (→)

de façon à modifier l'angle de la base, régler la base et la lame, de sorte qu'elles forment entre elles un angle droit parfait.

## 7. Liste des pièces de rechange

- A: No. élément
- B: No. code
- C: No. utilisé
- D: Remarques

### ATTENTION

Les réparations, modifications et inspections des outils électriques Hitachi doivent être confiées à un service après-vente Hitachi agréé.

Il sera utile de présenter cette liste de pièces au service après-vente Hitachi agréé lorsqu'on apporte un outil nécessitant des réparations ou tout autre entretien.

Lors de l'utilisation et de l'entretien d'un outil électrique, respecter les règlements et les normes de sécurité en vigueur dans le pays en question.

### MODIFICATIONS

Les outils électriques Hitachi sont constamment améliorés et modifiés afin d'incorporer les tous derniers progrès technologiques.

En conséquence, il est possible que certaines pièces (c.-à-d. no. de code et/ou dessin) soient modifiées sans avis préalable.

---

### NOTE

Par suite du programme permanent de recherche et de développement HITACHI, ces spécifications peuvent faire l'objet de modifications sans avis préalable.

---

~~~~~  
Ce produit est conforme aux prescriptions 76/889/CEE et 82/499/CEE. Référence VDE 5008.6-2660-0092  
~~~~~

---

### Au sujet du bruit et des vibrations

Les valeurs mesurées ont été déterminées en fonction de la norme EN50144.

Le niveau de pression acoustique pondérée A type est de 94 dB (A) (C 6BU), 95 dB (A) (C 7BU).

Le niveau de puissance sonore pondérée A type est de 107 dB (A) (C 6BU), 108 dB (A) (C 7BU).

Porter un casque de protection.

L'accélération quadratique pondérée typique n'excède pas 2,5 m/s<sup>2</sup>.

---

### ● Information relative au système d'alimentation à tension nominale de 230 V~ (Pour C7BU seulement)

Dans des conditions défavorables du secteur, cet outil électrique peut provoquer *des chutes de tension transitoires* ou *des fluctuations de tension parasites*.

Cet outil électrique est conçu pour être raccordé à un système d'alimentation avec impédance système maximale admissible  $Z_{MAX}$  de 0,44 ohm au point d'interface (coffret de branchement d'alimentation) de l'alimentation de l'utilisateur.

L'utilisateur doit s'assurer que cet outil électrique est raccordé uniquement à un système d'alimentation qui remplit l'exigence ci-dessus.

Si nécessaire, l'utilisateur peut demander à la compagnie d'électricité publique quelle est l'impédance système au point d'interface.

---

## PRECAUZIONI GENERALI

### ATTENZIONE!

Quando si usano elettrotensili, bisogna sempre seguire le precauzioni basilari di sicurezza per ridurre il rischio di incendi, scosse elettriche e lesioni alle persone, tra cui quanto segue.

Leggere tutte queste istruzioni prima di usare questo prodotto e conservare le istruzioni.

Per un funzionamento sicuro:

- Mantenere sempre pulita l'area dove si lavora. Un'area di lavoro sempre pulita aiuta ad evitare incidenti.
- Tenere nella dovuta considerazione le condizioni dell'ambiente di lavoro. Non esporre gli elettrotensili alla pioggia. Non usare gli elettrotensili in luoghi molto umidi o bagnati. Mantenere ben illuminata l'area di lavoro. Non usare elettrotensili dove ci sia il rischio di causare incendi o esplosioni.
- Fare attenzione alle scosse elettriche. Evitare il contatto del corpo con superfici collegate a terra (p.es. tubi, caloriferi, fornelli, frigoriferi)
- Tenere lontano i bambini. Non permettere che persone estranee ai lavori tocchino gli elettrotensili o i cavi della corrente elettrica. Le persone non addestrate al lavoro non dovrebbero nemmeno avvicinarvisi.
- Riporre gli elettrotensili non usati in luogo adatto. Quando non utilizzati, gli elettrotensili vanno tenuti in un luogo asciutto, chiusi a chiave o in alto, fuori dalla portata dei bambini.
- Non forzare mai gli elettrotensili. Qualsiasi lavoro viene eseguito meglio e più velocemente alla velocità per la quale l'elettrotensile è stato formulato.
- Scegliere sempre l'utensile elettrico adatto. Non forzare un piccolo elettrotensile o un accessorio a fare un lavoro di un utensile o accessorio più grande. Non usare gli elettrotensili per dei lavori per i quali non sono stati formulati (non usare, per esempio, una sega circolare per tagliare grossi tronchi).
- Vestirsi in modo adatto. Non portare abiti larghi o gioielli, che potrebbero impigliarsi nelle parti in movimento degli elettrotensili. Lavorando all'esterno, si raccomanda l'uso di guanti di gomma e di scarpe antidrucciolo. Chi porta capelli lunghi dovrebbe utilizzare un'apposita cuffia protettiva.
- Usare occhiali protettivi. Eseguendo dei lavori di taglio che producono molta polvere, usare anche una mascherina antipolvere.
- Collegare apparecchiature di rimozione della polvere. Se sono forniti dispositivi per il collegamento di apparecchiature di rimozione e raccolta della polvere, assicurarsi che siano collegati e usati correttamente.
- Non maltrattare il cavo della corrente elettrica. Non trasportare gli elettrotensili prendendoli per il cavo della corrente e non scollarli dalla presa in tal modo. Tenere il cavo della corrente lontano dal calore, olio ed oggetti taglienti.
- Lavorare su oggetti fermi. Fissare saldamente l'oggetto in una morsa. E' più sicuro che non tenendolo fermo con le mani, che restano libere per maneggiare l'elettrotensile.
- Non squilibrare il corpo durante l'esecuzione di un lavoro. Stare sempre su due piedi, in equilibrio stabile.
- Trattare gli utensili elettrici con cura. Tenerli sempre puliti ed affilati per un funzionamento migliore e più sicuro. Seguire le istruzioni date per la

lubrificazione e la sostituzione degli accessori. Controllare periodicamente le condizioni del cavo della corrente. Se dovesse essere rovinato, farlo sostituire presso un Centro Assistenza. Non usare cavi di prolungamento rovinati. Mantenere le impugnature sempre pulite, libere soprattutto da olio e grasso.

- Quando non si usa, prima di eseguire una qualsiasi operazione di manutenzione e prima di intraprendere qualsiasi sostituzione di accessori (lama, punte, ecc.), scollegare sempre l'elettrotensile.
- Togliere sempre le chiavi di regolazione dall'attrezzo. E' buona abitudine controllare sistematicamente che nessuna chiave di regolazione sia più attaccata all'elettrotensile, prima di metterlo in funzione.
- Evitare che l'elettrotensile possa inavvertitamente essere messo in funzione. Non trasportare gli elettrotensili mantenendo il dito sull'interruttore, mentre sono collegati alla rete. Prima di collegarli, controllare che l'interruttore sia in posizione di spento.
- Fare uso di cavi di prolungamento per esterni. In questo caso, controllare che il cavo sia adatto per l'uso all'esterno.
- Stare sempre attenti. Guardare sempre nel punto in cui si esegue il lavoro. Non usare utensili elettrici se si è stanchi.
- Controllare qualsiasi parte che sembra danneggiata. Prima di riprendere l'uso degli elettrotensili, controllare attentamente che la parte apparentemente danneggiata possa ancora essere usata in modo da assolvere la sua funzione. Controllare che le parti mobili siano nella loro posizione corretta, che nessun pezzo sia rotto, che tutti i pezzi siano montati correttamente, e controllare altri punti importanti per il funzionamento dell'utensile elettrico. Qualsiasi pezzo danneggiato deve essere riparato o sostituito da un Centro Assistenza autorizzato, a meno che dettagliate istruzioni in proposito siano date nel presente manuale. Non usare l'elettrotensile se non può essere acceso o spento per mezzo del suo interruttore.
- Attenzione  
L'uso di qualsiasi accessorio o attacco diverso da quelli citati nel presente manuale di istruzioni può presentare il rischio di lesioni alle persone.
- Far riparare l'elettrotensile da personale qualificato. Questo elettrotensile è in conformità con le relative norme di sicurezza. Le riparazioni devono essere eseguite solo da personale qualificato usando ricambi originali, altrimenti ne possono derivare considerevoli rischi per l'utilizzatore.

## PRECAUZIONI PER L'USO DELLA SEGA CIRCOLARE

- Non usare lame deformate o rotte.
- Non usare lame di acciaio rapido.
- Non usare lame non conformate alle caratteristiche specificate in queste istruzioni.
- Non fermare le lame della sega mediante pressione laterale sul disco.
- Tenere sempre affilate le lame.
- Assicurarsi che il coperchio di sicurezza si muova senza resistenza e liberamente.
- Non usare MAI la sega circolare con il coperchio di sicurezza fissato in posizione aperta.
- Assicurarsi che tutti i meccanismi di ritrazione del sistema di protezione funzionino correttamente.

9. Le lame della sega devono essere più fini del coltello e la larghezza del taglio, o dell'incisione (con il set dentellato), deve essere maggiore dello spessore del coltello.
10. Non impiegare MAI la sega circolare con la lama girata verso l'alto o lateralmente.
11. Assicurarsi che l'oggetto da lavorare sia privo di corpi estranei, come per esempio chiodi.
12. Il coltello dovrebbe essere sempre usato eccetto quando si preme nel mezzo del pezzo di lavoro.
13. Per il modello C 6BU, le lame della sega possono variare da 165mm a 150mm.  
Per il modello C 7BU, le lame della sega possono variare da 185mm a 170mm.
14. Fare attenzione al contraccolpo del freno.  
Questa sega circolare è dotata di un freno elettrico che agisce quando si rilascia l'interruttore. Poiché si verifica un certo contraccolpo quando il freno entra in azione, assicurarsi di tenere saldamente il corpo principale.
15. L'operazione di frenata può a volte produrre scintille quando si disattiva l'interruttore, perché i modelli C6BU e C7BU impiegano freni elettrici. Tenere comunque presente che questo fenomeno non è indice di guasti.
16. Quando il freno perde efficacia, sostituire le spazzole di carbone con altre nuove.
17. Scollegare la spina dalla presa prima di eseguire qualsiasi regolazione, riparazione o manutenzione.

**CARATTERISTICHE**

Modello		C 6BU	C 7BU
Voltaggio (per zona)*		(110V, 230V) ~	
Profondità di taglio	90°	54 mm	63 mm
	45°	39 mm	45 mm
Potenza assorbita*		1010W	1150W
Velocità senza carico		5000/min	
Peso (senza il cavo)		3,5 kg	4,0 kg

\*Accertatevi di aver controllato bene la piastrina perché essa varia da zona a zona.

**ACCESSORI STANDARD**

- (1) Lama (montata sull'utesile) ..... 1  
 ( Diam. 165 mm ..... C 6BU )  
 ( Diam. 185 mm ..... C 7BU )
  - (2) Chiave fissa a collare ..... 1
  - (3) Guida ..... 1
  - (4) Bullone a farfalla ..... 1
- Gli accessori standard possono essere cambiati senza preavviso.

**ACCESSORI OPZIONALI (venduti a parte)**

- (1) Completo raccogli-polvere (D)  
 Collegare il tubo aspirante in modo da raccogliere la segatura con l'aspirapolvere (vedere la Fig. 12).
- (2) Rondella (A)  
 ..... per 16 mm (dia. foro lama sega)  
 ..... per 30 mm (dia. foro lama sega)
- (3) Adattatore per binario di guida (vedere la Fig. 13)

Gli accessori opzionali possono essere cambiati senza preavviso.

**IMPIEGHI**

Taglio di vari tipi di legno.

**PRIMA DELL'USO**

1. **Alimentazione**  
 Assicurarsi che la rete di alimentazione che si vuole usare sia compatibile con le caratteristiche relative all'alimentazione di corrente specificate nella piastrina dell'apparecchio.
2. **Interruttore di corrente**  
 Mettere l'interruttore in posizione SPENTO. Se la spina è infilata in una presa mentre l'interruttore

è acceso, l'utensile elettrico si mette immediatamente in moto, facilitando il verificarsi di incidenti gravi.

3. **Prolunga del cavo**  
 Quando l'ambiente di lavoro è lontano da una presa di corrente, usare una prolunga del cavo di sufficiente spessore e di prestazione adeguata. La prolunga deve essere più corta possibile.

4. **Preparazione di un banco di lavoro di legno (Fig. 1)**  
 Poiché la lama oltrepassa la superficie inferiore del legno da tagliare, mettere il legno su un banco di lavoro quando si effettua il taglio.

Se si usa un blocco quadrato come banco di lavoro, scegliere un suolo livellato al fine di assicurare la sua necessaria stabilità. Un piano di lavoro instabile comporta un funzionamento pericoloso.

**ATTENZIONE**

Al fine di evitare eventuali incidenti, fare sempre in modo che la parte di legno che resta dopo il taglio sia ben ancorata o tenuta in posizione.

**REGOLAZIONI PRIMA DEL TAGLIO**

1. **Regolazione della profondità di taglio**  
 Allentare la manopola con una mano, tenendo l'altra mano sull'impugnatura, come mostrato in Fig. 2. La profondità della fessura può essere regolata spostando la base sulla posizione desiderata. Regolare la profondità di taglio, quindi riserrare a fondo la manopola.
2. **Regolazione del coltello separatore**  
 Allentare il bullone a testa esagonale usato per fissare il coltello separatore; regolare il coltello separatore nella posizione indicata nella Fig. 3. e riserrare bene il bullone.
3. **Regolazione dell'angolo di inclinazione:**  
 Come mostrato in Fig. 4 (A), 4 (B), allentando la manopola della scala curva e il bullone a farfalla della base, è possibile inclinare la lama della sega fino ad un massimo di 45° rispetto alla base. Una volta

completata la regolazione, controllare di nuovo che la monopola e il bullone a farfalla siano serrati bene.

#### 4. Regolazione della guida (Fig. 5)

La posizione del taglio può essere regolata spostando verso sinistra o verso destra la guida, dopo aver allentato il relativo galletto. La guida può essere montata sia sul lato destro sia su quello sinistro dell'utensile.

#### 5. Regolazione della parte di guida

Sulla sega circolare, è possibile eseguire regolazioni precise della posizione di fissaggio della parte di guida, dove la lama della sega va allineata con la traccia di taglio.

Quando la sega esce dalla fabbrica, la parte lineare di una scala anteriore sulla parte di guida allineata con la posizione centrale della lama della sega. (Fig. 6) Allentare la vite fissa sulla parte di guida se la posizione di fissaggio è sbagliata ed eseguire le necessarie regolazioni della posizione.

diametro uguale al diametro interno della lama, ed il lato concavo della rondella (B) devono appoggiare sui due lati della lama.

\* La rondella (A) è in dotazione per i tipi di lama con diametri foro di 16 mm e 30 mm. (Quando si acquista una sega circolare viene fornito un tipo di rondella (A)).

Se il diametro foro della lama utilizzata non corrisponde alla rondella (A), contattare il negozio presso cui è stata acquistata la sega circolare.

(3) Montare la lama circolare in modo che la freccia sulla lama circolare sia allineata con la freccia sul carter della sega.

(4) Serrare il più strettamente possibile con le dita il bullone a testa esagonale che fermano la lama circolare. Quindi premere la leva di bloccaggio, bloccare l'alberino e serrare saldamente il bullone.

#### ATTENZIONE

Dopo aver attaccato la lama della sega, controllare di nuovo che la leva di bloccaggio sia bloccata fermamente nella posizione prescritta.

### PROCEDURE PER IL TAGLIO

1. Collocare la base sul materiale, quindi allineare la riga già marcata e la lama della sega con la sezione scala anteriore di pezzo guida sul davanti della base. (Fig. 6)

Quando la base non è inclinata usare l'intaglio grande come guida. (Fig. 6, Fig. 7(A)) Se la base è inclinata (45 gradi) usare la scala anteriore piccola come guida. (Fig. 6, Fig. 7 (B))

2. Fare in modo che l'interruttore sia in posizione ON prima che la sega venga a contatto con il legno. L'interruttore è in posizione ON quando il grilletto è premuto ed in posizione OFF quando esso è rilasciato.

3. Si ottiene un ottimo taglio quando la sega si muove dritta, a velocità costante.

#### ATTENZIONE

- Prima di iniziare a segare, assicurarsi che la lama abbia raggiunto la piena velocità di rotazione.
- Nel caso che la lama si arresti o faccia un rumore eccessivo durante il funzionamento, spegnere immediatamente l'interruttore.
- Fare sempre attenzione ad evitare che il cavo di alimentazione vada vicino alla lama ruotante.

### MONTAGGIO E RIMOZIONE DELLA LAMA

#### ATTENZIONE

Per evitare gravi incidenti, assicurarsi che l'interruttore sia in posizione OFF e che il cavo sia staccato dalla presa.

#### 1. Rimozione della lama circolare

- (1) Mettere al massimo la regolazione della profondità del taglio e porre la sega circolare come indicato nella Fig. 8.
- (2) Abbassare la leva di bloccaggio, serrare il perno e rimuovere il bullone a testa esagonale con la chiave fissa a collare.
- (3) Tenendo la leva del carter di sicurezza in modo che quest'ultimo sia in posizione completamente arretrata, togliere la lama.

#### 2. Montaggio della lama circolare

- (1) Ripulire dalla polvere di segatura asse, bullone e rondelle.
- (2) Come indicato nella Fig. 9, il lato della rondella (A) che presenta la parte centrale sporgente, con il

### MANUTENZIONE E CONTROLLI

#### 1. Controllo della lama

Poiché l'uso di lame logose diminuisce l'efficacia e causa eventuali disfunzioni del motore, affilare o sostituire la lama non appena si nota la sua usura.

#### 2. Controllo delle viti di tenuta:

Controllare regolarmente tutte le viti di tenuta e assicurarsi che siano esclusivamente serrate. Nel caso che una di queste viti dovesse allentarsi riserrarla immediatamente. Se si non ottiene di farlo, si può causare un grave incidente.

#### 3. Controllo delle spazzole di carbone (Fig. 10)

Il motore impiega spazzole di carbone che sono materiali di consumo. Poiché una spazzola di carbone troppo larga può creare fastidi al motore, sostituire la spazzola con una dello stesso numero indicato nella figura quando essa è logora fino al limite del regolamento e quasi.

Tenere inoltre sempre pulite le spazzole di carbone e fare in modo che esse scorrano liberamente nell'interno del portaspazzola.

#### CAUTELA:

- Quando si sostituiscono nuove spazzole di carbone, usare sempre spazzole di carbone Hitachi autentiche con il numero (56) specificato nel diagramma. Il freno può non funzionare se si usano spazzole di carbone diverse da quelle specificate.
  - Quando il freno perde efficacia, sostituire le spazzole di carbone con altre nuove.
4. **Sostituzione di una spazzola di carbone:**  
Togliere la capsula della spazzola con un cacciavite a taglio. La spazzola può così essere agevolmente rimossa.
  5. **Manutenzione del motore:**  
L'avvolgimento del motore il vero e proprio "cuore" degli attezzi elettrici. Fare attenzione a non danneggiare l'avvolgimento e/o non bagnarlo con olio o acqua.
  6. **Quadratura della base e della lama circolare**  
L'angolo tra la lama circolare e la base viene originariamente regolato a 90°. Nel caso che col

tempo la quadratura venga meno eseguire la regolazione nel modo seguente:

- (1) Con la base rivolta verso l'alto, **Fig. 11**, allentare la manopola e il bullone a farfalla, (**Fig. 4 (A)**, **Fig. 4 (B)**).
  - (2) Con una squadra appoggiata tra la base e la lama circolare, al fine di spostare la base, ruotare la vite senza fine con un cacciavite a testa piatta. Regolare l'angolo tra la base e la lama circolare in modo da ottenere la quadratura.
- 7. Lista dei pezzi di ricambio**
- A: N. voce  
B: N. codice  
C: N. uso  
D: Note

#### CAUTELE

Riparazioni, modifiche e ispezioni di utensili elettrici Hitachi devono essere eseguite da un centro assistenza Hitachi autorizzato.

Questa lista dei pezzi torna utile se viene presentata con l'utensile al centro assistenza Hitachi autorizzato quando si richiedono riparazioni o altri interventi di manutenzione.

Nell'uso e nella manutenzione degli utensili elettrici devono essere osservate le normative di sicurezza e i criteri prescritti in ciascun paese.

#### MODIFICHE

Gli utensili elettrici Hitachi vengono continuamente migliorati e modificati per includere le più recenti innovazioni tecnologiche.

Di conseguenza, alcuni pezzi (p.es. numero di codice e/o design) possono essere modificati senza preavviso.

#### NOTA

A causa del continuo programma di ricerca e sviluppo della HITACHI, le caratteristiche riportate in questo foglio sono soggette a cambiamenti senza preventiva comunicazione.

---

---

#### Informazioni riguardanti i rumori trasmessi dall'aria e le vibrazioni

I valori misurati sono stati determinati in conformità a EN50144.

Il livello di pressione sonora pesato A tipico è di 94 dB (A) (C 6BU), 95 dB (A) (C 7BU).

Il livello di potenza sonora pesato A tipico è di 107 dB (A) (C 6BU), 108 dB (A) (C 7BU).

Indossare protezioni per le orecchie.

Il valore tipico di accelerazione quadrata media a radice pesata non supera 2,5 m/s<sup>2</sup>.

---

---

---

#### ● Informazioni sui sistemi di alimentazione a tensione nominale di 230 V~ (Solo per C7BU)

In condizioni di alimentazione sfavorevoli, questo utensile elettrico può causare *cadute di tensione transitorie o fluttuazioni di tensione di interferenza*.

Questo utensile elettrico è inteso per il collegamento ad un sistema di alimentazione con un'impedenza massima permessa di sistema  $Z_{MAX}$  di 0,44 Ohm al punto di interfaccia (scatola di alimentazione) della fonte di alimentazione dell'utilizzatore.

L'utilizzatore deve assicurarsi che questo utensile elettrico sia collegato solo ad un sistema di alimentazione che soddisfa il requisito sopra citato.

Se necessario, l'utilizzatore può contattare l'ente elettrico locale riguardo l'impedenza di sistema al punto di interfaccia.

---

## ALGEMENE VOORZORGMAATREGELEN

**WAARSCHUWING!** Bij gebruik van elektrisch gereedschap moet u altijd de normale basisvoorzorgen voor de veiligheid in acht nemen om de kans op brand, elektrische schokken en letsel te verminderen. Let tevens op de volgende punten.

Lees al de aanwijzingen door alvorens het gereedschap in gebruik te nemen. Bewaar deze aanwijzingen.

Voor een veilige werking:

- Houd de plaats waar gewerkt wordt schoon. Niet opgeruimde werkplaatsen en werkbanken verhogen het gevaar van ongelukken.
- Kies een geschikte omgeving om te werken. Stel elektrisch gereedschap niet aan regen bloot. Gebruik elektrisch gereedschap niet op vochtige of natte plaatsen. Zorg dat de werkplaats goed verlicht is. Gebruik elektrisch gereedschap niet op plaatsen waar brand- of explosiegevaar is.
- Vermijd een elektrische schok. Let er daarom op dat er geen contact is met geaarde oppervlakken zoals pijpen, radiators, keukenfornuis of ijskast.
- Houd kinderen uit de buurt. Laat bezoekers het gereedschap of snoer niet aanraken. Alle bezoekers moeten een veilige afstand tot de werkplaats aanhouden.
- Ruim overbodig gereedschap op. Gereedschap dat niet gebruikt wordt moet op een droge, hooggelegen of af te sluiten plaats buiten het bereik van kinderen opgeborgen worden.
- Forceer het gereedschap niet. Het levert een betere en veiligere prestatie op de snelheid waarvoor zij werd ontworpen.
- Gebruik het juiste gereedschap. Gebruik een klein gereedschap of hulpstuk niet voor werkzaamheden waarvoor een apparaat met groot vermogen vereist is. Gebruik het gereedschap niet voor doeleinden waarvoor dit niet bestemd is (bijvoorbeeld gebruik van de cirkelzaag voor het zagen van bomen).
- Draag de juiste kleding. Draag geen loszittende kleren of armbanden e.d. daar deze in de bewegende delen verstrikt kunnen raken. Bij het werken buitenshuis wordt het gebruik van rubber handschoenen en stevige, niet glijdende schoenen aanbevolen.
- Draag een veiligheidsbril. Ontstaat er veel stof tijdens het werken, draag dan eveneens een gezichtsbeschermer en/of stofmasker.
- Sluit apparatuur voor het verzamelen van stof aan. Indien apparatuur voor het verzamelen van stof is bijgeleverd, moet u deze apparatuur op de vereiste wijze verbinden en gebruiken zoals wordt beschreven.
- Behandel het snoer voorzichtig. Draag het gereedschap nooit door dit bij het snoer vast te houden. Bescherm het snoer tegen hitte, olie en scherpe hoeken.
- Neem de uiterste veiligheid in acht. Gebruik klemmen of een bankschroef om het werkstuk vast te zetten. Hierdoor heeft u uw handen vrij om het gereedschap te bedienen.
- Buig u nooit te ver naar voren. Kies een goede plaats en behoud altijd uw evenwicht.
- Behandel het gereedschap voorzichtig. Zorg ervoor dat het gereedschap scherp en schoon is zodat een goed en veilig prestatievermogen wordt verkregen. Volg de gebruiksaanwijzing voor het smeren en het verwisselen van toebehoren. Inspecteer de snoeren regelmatig op beschadiging en laat deze zonodig door een erkend servicecenter repareren. Controleer de verlengsnoeren ook regelmatig en vervang deze bij beschadiging. Houd

alle handgrepen droog en schoon en vrij van olie en vet.

- Trek de stekker uit het stopcontact als het gereedschap niet wordt gebruikt en ook bij onderhoudsbeurten, het verwisselen van toebehoren zoals bladen, boren, messen e.d.
- Verwijder sleutels en moersleutels. Maak er een gewoonte van voor het inschakelen te controleren of alle sleutels en moersleutels verwijderd zijn.
- Schakel het gereedschap niet onverwacht in. Draag geen aangesloten gereedschap met de vinger op de schakelaar. Controleer altijd of het gereedschap uitgeschakeld staat alvorens dit aan te sluiten.
- Bij het werken buitenshuis dient een verlengsnoer te worden gebruikt. Gebruik dan alleen verlengsnoeren die geschikt zijn voor het werken buitenshuis en desbetreffend gemerkt zijn.
- Let altijd goed op tijdens het werken. Kijk uit wat u doet en gebruik het gereedschap niet als u moe bent.
- Bij beschadiging van een van de onderdelen dient dit nauwkeurig te worden nagekeken en gerepareerd alvorens het gereedschap opnieuw in gebruik wordt genomen. Let erop dat het betreffende onderdeel zijn functie goed vervult. Controleer of de bewegende delen goed zijn gemonteerd en vrij kunnen bewegen. Dit om een foutief functioneren van het gereedschap te voorkomen. Bij de beschadiging van een onderdeel dient de reparatie altijd te worden overgelaten aan een erkend servicecenter, tenzij in deze gebruiksaanwijzing anders wordt voorgeschreven. Laat ook defekte schakelaars vervangen door een erkend servicecenter. Gebruik het gereedschap niet als de aan/uit-schakelaar niet werkt.
- Waarschuwing**  
Het gebruik van toebehoren of verlengstukken waarvan het gebruik niet in deze gebruiksaanwijzing is aangegeven, veroorzaakt mogelijk letsel.
- Laat het elektrisch gereedschap door een vakman repareren.  
Dit elektrisch gereedschap voldoet aan de vereiste eisen voor de veiligheid. Voorkom mogelijk zeer ernstige ongelukken en laat derhalve reparatie over aan een erkend vakman die de originele reserve-onderdelen gebruikt.

## VOORZORGMAATREGELEN BETREFFENDE HET GEBRUIK VAN DE CIRKELZAAGMACHINE

- Gebruik geen zaagbladen die vervormd of verbogen zijn, of waarin barsten en/of scheurtjes zitten.
- Gebruik geen HSS-zaagbladen (verhard staal).
- Gebruik geen zaagbladen waarvan de eigenschappen niet overeenkomen met die omschreven in deze instructies.
- Zorg dat, tijdens het zagen, het zaagblad niet tot stilstand komt door teveel zijwaartse druk.
- Zorg ervoor dat het zaagblad steeds scherp is.
- De beschermkap moet gemakkelijk en vrij te bewegen zijn.
- Gebruik de cirkelzaag nooit wanneer de beschermkap in de geopende stand vergrendeld is.
- Controleer of het terugspring-mechanisme van de veiligheidskap naar behoren functioneert.
- Het zaagblad zelf moet dunner zijn dan de splijtwig; maar de breedte van de insnijding, d.w.z. de opening gemaakt door de zaagtanden, moet groter zijn dan de dikte van de splijtwig.
- De cirkelzaag nooit inzetten met schuinstand of zijdelings staand zaagblad.

11. Let er steeds op, dat het werkstuk geen vreemde voorwerpen, zoals b.v. spijkers, bevat.
12. Gewoonlijk dient altijd de splijtwig gebruikt te worden, behalve wanneer u begint te zagen in het midden van het werkstuk.
13. Voor het model C 6BU is het toegestane bereik van de zaagbladen van 150 mm tot 165 mm. Voor het model C 7BU is het toegestane bereik van de zaagbladen van 170 mm tot 185 mm.
14. Let op terugslag bij stoppen  
Deze cirkelzaag heeft een elektrische rem die functioneert wanneer de schakelaar wordt losgelaten. Er zal wat terugslag zijn wanneer de

- rem functioneert. Houd de cirkelzaag daarom goed vast.
15. Er kunnen soms vonken ontstaan bij het afremmen van de zaag wanneer deze wordt uitgeschakeld, omdat de C6BU en de C7BU modellen gebruik maken van elektrische remmen. Houd echter in gedachten dat dit niet wijst op een storing aan de machine.
  16. Vervang de koolstofborstels door nieuwe indien de rem niet meer effectief werkt.
  17. Haal de stekker uit het stopcontact voor u iets gaat instellen, vervangen of onderhoud gaat plegen.

## TECHNISCHE GEGEVENS

Model	C 6BU	C 7BU	
Voltage (verschillend van gebied tot gebied)*	(110V, 230V)∧		
Zaagdiepte	90°	54 mm	63 mm
	45°	39 mm	45 mm
Opgenomen vermogen*	1010W		1150W
Toerental onbelast	5000/min		
Gewicht (zonder kabel)	3,5 kg		4,0 kg

\*Kontroleer het naamplaatje op het apparaat daar het apparaat afhankelijk van het gebied waar het verkocht wordt gewijzigd kan worden.

## STANDAARD TOEBEHOREN

- (1) Zaagblad (bevestigd aan het gereedschap) ..... 1  
( Diam. 165 mm ..... C 6BU )  
( Diam. 185 mm ..... C 7BU )
  - (2) Steeksleutel ..... 1
  - (3) Parallelgeleider ..... 1
  - (4) Vleugelmoer ..... 1
- De standaard toebehoren kunnen zonder aankondiging op ieder moment worden veranderd.

## EXTRA TOEBEHOREN (los te verkrijgen)

- (1) Stof-verzamelsset (D)  
Sluit de afzuigslang aan om het zaagsel met behulp van de stofzuiger op te zuigen. (Zie **Afb. 12**)
- (2) Onderlegschild (A)  
..... voor 16 mm (Diameter van gat van zaagblad)  
..... voor 30 mm (Diameter van gat van zaagblad)
- (3) Geleiderail adapter (zie **Afb. 13**)

De extra toebehoren kunnen zonder aankondiging op ieder moment worden veranderd.

## TOEPASSINGEN

Het zagen van verschillende houtsoorten.

## VOOR HET BEGIN VAN HET WERK

- 1. Netspanning**  
Controleren of de netspanning overeenkomt met de opgave op het naamplaatje.
- 2. Netschakelaar**  
Controleren of de netschakelaar op „UIT” staat. Wanneer de stekker op het net aangesloten is, terwijl de schakelaar op „AAN” staat, begint het gereedschap onmiddellijk te draaien, hetwelk ernstig gevaar betekent.

### 3. Verlengsnoer

Wanneer het werkterrein niet in de buurt van een stopcontact ligt, dan moet men gebruik maken van een verlengsnoer, dat voldoende dwarsprofiel en voldoende nominaal vermogen heeft. Het verlengsnoer moet zo kort mogelijk gehouden worden.

### 4. Het in gereedheid brengen van een houten werkbank (Afb.1)

Aangezien het zaagblad boven de onderkant van het zaaghout uitsteekt, legt men bij het zagen het zaaghout op een werkbank. Wanneer men van een houtblok als onderstel gebruik maakt, moet men daarvoor een vlakke ondergrond uitkiezen, zodat het ook werkelijk stabiel is. Een onstabiele ondergrond is gevaarlijk.

#### LET OP

Om eventuele ongelukken te vermijden, moet men er steeds op letten, dat het na eht zagen overgebleven gedeelte van het gezaagde hout goed vastligt of op de plaats gehouden wordt.

## INSTELLEN VAN HET GEREEDSCHAP VOOR GEBRUIK

### 1. Instellen van de zaagdiepte:

Draai de knop met uw hand los en houd met de andere hand de handgreep vast zoals aangegeven in **Afb. 2**. De zaagdiepte kan nu ingesteld worden door de basisplaat in de gewenste stand te zetten. Als u de juiste zaagdiepte heeft ingesteld, kunt u de knop weer vastdraaien. Draai de knop vervolgens stevig vast.

### 2. Het instellen van de splijtwig:

De zeskantige schroef, die met de splijtwig vastgeklemd is, wordt losgemaakt, de splijtwig wordt in de in **Afb. 3** aangeduide stand gebracht en de moer wordt vastgedraaid.



**3. Instellen van de hoek voor verstekzagen**

Op **Afb. 4 (A)** en **4 (B)** is te zien hoe u het zaagblad ten opzichte van de basisplaat maximaal 45° kunt verdraaien, door de knop op de schuine plaat en de vleugelmoer aan de basis los te draaien. Na het maken van de instellingen, dient u nogmaals te controleren of de knop en de vleugelmoer stevig zijn vastgedraaid.

**4. Het instellen van de parallelgeleider (Afb. 5)**

De zaagstand kan door het verstellen van de parallelgeleider naar rechts of links na het los draaien van de vleugelmoer verzet worden.

De parallelgeleider kan aan de rechter of aan de linkerkant van het gereedschap zijn aangebracht.

**5. Instellen van de geleider**

Met de cirkelzaag kunt u de positie van de geleider waar het zaagblad en de voorgemarkeerde streep in lijn moeten zijn nauwkeurig afstellen.

Bij het verlaten van de fabriek is het lineaire gedeelte van de schaal van de geleider in lijn met de centrale positie van het zaagblad gebracht. (**Afb. 6**)

Los de bevestigingsschroef van de geleider indien u de positie wilt veranderen. Stel de positie als gewenst in.

**ZAGEN**

1. Plaats de basis op het materiaal en breng de voorgemarkeerde streep en het zaagblad in lijn met het geleiderstuk voorschaafl gedeelte aan de voorkant van de basis. (**Afb. 6**)

Indien de basis niet schuin is, moet u het grote gedeelte als geleiderstuk gebruiken. (**Afb. 6, Afb. 7(A)**)

Indien de basis schuin is (45 graden), gebruik dan de kleine voorschaafl als geleiderstuk. (**Afb. 6, Afb. 7(B)**)

2. Er moet op gelet worden, dat de schakelaar op „AAN” staat, voordat het zaagblad met het zaaghout in aanraking komt. De schakelaar wordt ingeschakeld, wanneer de knop ingedrukt wordt en uitgeschakeld, wanneer de knop losgelaten wordt.

3. Wanneer de zaag met gelijkmatige snelheid in rechte lijn bewogen wordt, dan is het resultaat optimaal.

**LET OP**

- Voordat men begint te zagen, moet het zaagblad de volle draaisnelheid bereikt hebben.
- Blijft het zaagblad hangen of het maakt een ongewoon geluid, dan moet de schakelaar onmiddellijk uitgeschakeld worden.
- Het snoer mag nooit in de buurt van het draaiende zaagblad komen.

**HET AANBRENGEN EN VERWIJDEREN VAN HET ZAAGBLAD****LET OP**

Als preventieve maatregel tegen ongelukken moet er op gelet worden, dat de schakelaar op „UIT” staat en de stekker uit het stopcontact is.

**1. Verwijderen van het zaagblad**

(1) Stel, met de basisplaat, de zaag in op zijn maximale zaagdiepte en houd de zaag zoals aangegeven in **Afb. 8**.

(2) Druk de borghendel in, vergrendel de as en draai de moer met de zeskantige kop los met de bijgeleverde moersleutel.

(3) De hendel van het beschermdeksel wordt vastgehouden, zodat het beschermdeksel geheel in de zaagbeveiliging geklapt is, daarna neemt men het zaagblad eruit.

**2. Monteren van het zaagblad**

(1) Verwijder het stof dat zich aan de as en onderlegschijsven opegehoopt heeft.

(2) Zoals getoond in **Afb. 9** moet de kant van de onderlegschijs (A) met een naar voren staand middenstuk met dezelfde diameter als de binnendiameter van het zaagblad en de holle kant van de onderlegschijs (B) aan beide kanten van het zaagblad aangebracht worden.

\* Sluistring (A) is voor 2 typen zaagbladen die een gat met een diameter van 16 mm en 30 mm hebben bijgeleverd. (Bij aankoop van de cirkelzaagmachine is slechts één sluistring (A) bijgeleverd.)

Raadpleeg de plaats waar u de cirkelzaagmachine heeft gekocht indien het gat van het zaagblad een afwijkende diameter heeft en sluistring (A) niet geschikt is.

(3) Monteer het zaagblad zodanig dat de pijl op het zaagblad in dezelfde richting wijst als de pijl op de zaagbeveiliging.

(4) Draai de moer met de zeskantige kop waarmee het zaagblad vastgeklemd zit met de hand vast. Druk de borghendel in, vergrendel de as en zet de moer goed vast.

**LET OP**

Na het monteren van het zaagblad dient u nogmaals te controleren of de borghendel stevig is vastgezet in de voorgeschreven stand.

**ONDERHOUD EN INSPECTIE****1. Inspectie van het zaagblad:**

Aangezien het perstatievermogen verminderd wordt door een bot zaagblad en hierdoor een mogelijke weigering van de motor veroorzaakt kan worden, moet een bot zaagblad meteen vervangen worden zodra de slijtage vastgesteld wordt.

**2. Inspectie van de bevestigingsschroef:**

Alle bevestigingsschroeven worden regelmatig geïnspecteerd en gecontroleerd of zij juist aangedraaid zijn. Wanneer één van de schroeven losraakt, dan moet deze onmiddellijk opnieuw aangedraaid worden. Gebeurt dat niet, dan kan dat tot aanzienlijke gevaren leiden.

**3. Inspectie van de koolborstels (Afb. 10)**

Bij de motor zijn koolborstels gebruikt, die onderhevig zijn aan slijtage. Buitengewoon versleten koolborstels leiden tot problemen bij de motor. Dientengevolge dienen de koolborstels vervangen te worden met borstels die hetzelfde nummer hebben als de afbeelding aantoont, wanneer de koolborstel versleten, of bijna versleten is. Bovendien moeten de koolborstels altijd schoon zijn en zich in vrij de borstelhouders bewegen kunnen.

**LET OP:**

- Voor het vervangen van de koolborstels moet u altijd originele Hitachi koolborstels nummer (56)

zoals in de afbeelding aangegeven gebruiken.

De rem werkt mogelijk niet wanneer u niet-gespecificeerde koolborstels gebruikt.

- Vervang de koolstofborstels door nieuwe indien de rem niet meer effectief werkt.

#### 4. Het wisselen van de koolborstel:

Men demonteert de borsteldeksel met een steeksleutel. Men kan de koolborstel dan gemakkelijk verwijderen.

#### 5. Onderhoud van de motor

De motorwikkeling is het „hart” van het elektrische gereedschap. Er moet daarom bijzonder zorgvuldig op gelet worden, dat de wikkeling niet beschadigd en/of met olie of water bevochtigd wordt.

#### 6. Afstellen van de hoek tussen basisplaat en zaagblad:

Bij het verlaten van de fabriek is deze hoek optimaal afgesteld op 90°. Ga op de volgende wijze te werk als deze hoek opnieuw dient te worden afgesteld:

- (1) Draai de machine zodat de basisplaat naar boven is gericht, **Afb. 11**, en maak de knop en de vleugelbout los. (**Afb. 4 (A)** en **4 (B)**)
- (2) Druk een winkelhaak tegen de basisplaat en het zaagblad en verdraai de koploze schroef met een schroevendraaier voor het verschuiven van de basisplaat. Stel zodanig af dat de basisplaat en het zaagblad recht op elkaar staan.

#### 7. Lijst vervangingsonderdelen

- A: Ond.nr.
- B: Codenr.
- C: Gebr.nr.
- D: Opm.

#### LET OP

Reparatie, modificatie en inspectie van Hitachi elektrisch gereedschap dient te worden uitgevoerd door een erkend Hitachi Service-centrum.

Deze Onderdelenlijst komt van pas wanneer u deze samen met het gereedschap aanbiedt bij het erkende Hitachi Service-centrum wanneer u om reparatie of ander onderhoud verzoekt.

Bij gebruik en onderhoud van elektrisch gereedschap dienen de in het land waar u zich bevindt geldende veiligheidsregelgeving en veiligheidsstandaarden strikt te worden opgevolgd.

#### MODIFICATIES

Hitachi elektrisch gereedschap wordt voortdurend verbeterd en gewijzigd teneinde gebruik te kunnen maken van de nieuwste technische ontwikkelingen. Daarom is mogelijk dat sommige onderdelen (zoals codenummers en/of ontwerp) zonder voorafgaande kennisgeving gewijzigd worden.

#### AANTEKENING

Op grond van het voortdurende research- en ontwikkelingsprogramma van HITACHI zijn veranderingen van de hierin genoemde technische opgaven voorbehouden.

---

#### Informatie betreffende luchtgeluid en trillingen

De gemeten waarden zijn verkregen overeenkomstig EN50144.

Het doorsnee A-gewogen geluiddrukknivo is 94 dB (A) (C 6BU), 95 dB (A) (C 7BU).

Het standaard A-gewogen geluiddrukknivo: 107 dB (A) (C 6BU), 108 dB (A) (C 7BU).

Draag gehoorbescherming.

De doorsnee gewogen effectieve acceleratiewaarde is gelijk aan of minder dan 2,5 m/s<sup>2</sup>.

---

#### ● Informatie over stroombronsysteem met een nominaal voltage van 230V~ (Alleen voor de C7BU)

Bij ongunstige omstandigheden kan dit elektrische gereedschap *stootspanning* of *storende voltagefluctuaties* veroorzaken.

Dit elektrische gereedschap dient te worden aangesloten op een stroombron met een maximale toelaatbare systeemimpedantie  $Z_{-max}$  van 0,44 Ohm bij het aansluitpunt (stroomvoorzieningskastje) van de gebruikerstoevoer.

De gebruiker dient zich ervan te verzekeren dat dit elektrische gereedschap uitsluitend wordt verbonden met een stroombronsysteem dat aan de hierboven beschreven vereiste voldoet.

Indien nodig, kan de gebruiker het plaatselijke elektriciteitsbedrijf raadplegen aangaande de systeemimpedantie bij het aansluitpunt.

---

## PRECAUCIÓN ES GENERAL ES PARA OPERACIÓN

**¡ADVERTENCIA!** Cuando utilice herramientas eléctricas, tome las medidas de seguridad básicas para reducir el riesgo de incendios, descargas eléctricas, y lesiones, incluyendo lo siguiente. Lea todas estas instrucciones antes de utilizar este producto y guárdelas. Para realiza operaciones seguras:

1. Mantener el área de trabajo limpia, áreas y bancos de trabajo desordenados son causa de da ños personales.
2. Considerar el medio ambiente del área de trabajo. No exponer las herramientas eléctricas a la lluvia. No usar herramientas eléctricas en lugares mojados o húmedos. Mantener el área de trabajo bien iluminada.
3. No utilice herramientas eléctricas cuando exista el riesgo de incendios o de explosión.
4. Protegerse contra descargas eléctricas. Evitar el contacto del cuerpo con las superficies puestas a tierra. (p. ej., tubos, radiadores, hornos de microondas, o refrigeradores.)
5. Mantener a los ni ños alejados. No dejar que los visitantes toquen las herramientas ni los cables de extensión. Todos los visitantes deberán mantenerse alejados del área de trabajo.
6. Guardar las herramientas que no se usen y ponerlos en lugares secos, altos o cerrados, fuera del alcance de los ni ños.
7. No forzar las herramientas, éstas trabajarán más y con mayor seguridad cuando cumplan con las especificaciones para las cuales fueron diseñadas.
8. Usar las herramientas apropiadas. No forzar pequeñas herramientas o accesorios a realizar el trabajo de herramientas de mayor potencia. No utilizar herramientas para otros propósitos para los cuales no fueron diseñadas, por ejemplo, no utilizar sierras circulares para cortar ramas de árboles o troncos.
9. Vestir apropiadamente. No ponerse ropas que queden flojas ni tampoco joyas. Estas podrían quedar atrapadas en las partes móviles de las herramientas. Cuando se trabaje en exteriores, se recomienda el uso de guantes de goma y calzado que no resbale.
10. Usar gafas de protección. Usar también mascarillas contra el polvo si las condiciones de corte fuesen polvorientas.
11. Conecte un equipo colector de polvo. Si existen dispositivos para la conexión de equipos de extracción y recolección de polvo, cerciórese de que éstos estén conectados adecuadamente, y de utilizarlos en la forma correcta.
12. Cuidar del cable. Nunca lleve las herramientas colgando del cable, tampoco tire del cable para efectuar la desconexión de las herramientas. Mantener el cable alejado del calor, aceite y bordes agudos.
13. Asegurar la pieza de trabajo usando para ello abrazaderas o un tornillo. Esto es más seguro que usar las manos, además, ambas manos quedan libres para operar la herramienta.
14. No extenderse excesivamente para efectuar un trabajo. Mantener en todo momento un buen balance y base de apoyo.
15. Mantener cuidadosamente las herramientas. Tener las siempre limpias y afiladas para obtener un mejor rendimiento y un funcionamiento más seguro. Seguir siempre las instrucciones para la lubricación y el cambio de accesorios. Inspeccionar periódicamente los cables de las herramientas y si estuviesen dañados, hacer que los reparen

técnicos ó expertos. Inspeccionar periódicamente los cables de extensión y cambiarlos si estuviesen dañados. Mantener los mangos secos, limpios, y libres de aceite y grasa.

15. Desconectar las herramientas cuando no se usen, antes de repararlas, y cuando se cambien accesorios como por ejemplo, cuchillas, brocas, cortadores, etc.
16. Quitar las cuñas y las llaves de tuercas. Acostumbrarse a comprobar si se han quitado las cuñas y las llaves de tuercas antes de poner las herramientas en funcionamiento.
17. Evitar puestas en funcionamiento sin fin alguno. No llevar las herramientas con los dedos en los interruptores mientras que éstas están conectadas. Cuando se conecten las herramientas, cerciorarse de que los interruptores esten en la posición de desconectados.
18. Para usos en exteriores usar cables de extensión. Cuando las herramientas vayan a ser usadas en exteriores, usar solamente cables de extensión diseñados para tal propósito.
19. Estar siempre alerta y poner atención a lo que se está haciendo, usar el sentido común y no operar con la herramienta cuando se esté cansado.
20. Comprobar las piezas dañadas. Antes de seguir con el funcionamiento de las herramientas, las piezas que estén dañadas deberán comprobarse cuidadosamente para determinar si pueden funcionar apropiadamente y cumplir con la función para las que fueron diseñadas. Comprobar el alineamiento y agarrotamiento de piezas móviles, rotura de piezas, montura, y cualquier otra anomalía que pudiese afectar al rendimiento de la herramienta. Cualquier pieza que estuviese dañada deberá repararse apropiadamente o cambiarse en un centro de reparaciones autorizado, al menos que se indique, lo contrario en este manual de instrucciones. Procurar que los interruptores defectuosos los cambie un centro de reparaciones autorizado.
21. No usar las herramientas si sus interruptores no funcionan apropiadamente.
21. Advertencia  
La utilización de cualquier accesorio o aditivo no recomendado en este manual de instrucciones puede conducir al riesgo de lesiones.
22. En caso de avería, haga que su herramienta sea reparada por un técnico cualificado.  
Esta herramienta eléctrica está de acuerdo con los requisitos de seguridad pertinentes. Las reparaciones solamente deberán realizarlas técnicos cualificados utilizando piezas de repuesto originales. De lo contrario, el usuario podría lesionarse.

## PRECAUCIONES AL UTILIZAR LA SIERRA CIRCULAR

1. No utilice cuchillas deformadas o rajadas.
2. No emplee cuchillas de acero de alta velocidad.
3. No emplee cuchillas que no estén de acuerdo con las características especificadas en estas instrucciones.
4. No pare las cuchillas de sierra mediante presión lateral sobre el disco.
5. Mantener siempre las cuchillas afiladas.
6. Asegurarse de que la cubierta de seguridad se mueva suave y libremente.
7. Nunca usar la sierra circular con su cubierta de seguridad fijada en la posición abierta.
8. Cerciórese de que todos los mecanismos de retracción del sistema de protección funcionen correctamente.

9. Las cuchillas de sierra deberán ser más finas que la cuchilla hendidora y la anchura de corte (con el juego de dientes) deberá ser superior al grosor de la cuchilla hendidora.
10. Nunca accionar la sierra circular con la cuchilla vuelta hacia arriba o hacia un lado.
11. Asegurarse de que la pieza de trabajo esté libre de cuerpos extraños tales como clavos.
12. La cuchilla hendidora deberá emplearse siempre excepto para realizar un corte en medio de la pieza de trabajo.
13. Para el modelo C 6BU, las cuchillas de sierra deberán ser de 165 mm a 150 mm. Para el modelo C 7BU, las cuchillas de sierra deberán ser de 185 mm a 170 mm.
14. Renga cuidado con el retroceso del freno. Esta sierra circular se caracteriza por un freno eléctrico que funciona cuando se suelte el interruptor. Como hay cierto retroceso cuando funciona el freno, cerciórese de sujetar firmemente el cuerpo principal.
15. Es posible que a veces aparezcan chispas causada por la operación de frenado cuando se ponga en OFF el interruptor, porque los modelos C6BU y C7BU emplean frenos eléctricos. Sin embargo, tenga en cuenta que este fenómeno no significa mal funcionamiento de la máquina.
16. Cuando el freno no funcione, reemplace las escobillas por otras nuevas.
17. Antes de realizar cualquier ajuste, operación de mantenimiento, o reparación, desconecte el enchufe del tomacorriente.

## ESPECIFICACIONES

Modelo		C 6BU	C 7BU
Voltaje (por áreas)*		(110V, 230V) ~	
Profundidad de corte	90°	54 mm	63 mm
	45°	39 mm	45 mm
Acometida*		1010W	1150W
Velocidad de marcha en vacío		5000/min	
Peso (sin cable)		3,5 kg	4,0 kg

\*Verificar indefectiblemente los datos de la placa de características de la máquina, pues varían de acuerdo al país de destino.

## ACCESORIOS NORMALES

- (1) Cuchilla de sierra (montada en la herramienta) .. 1  
 ( Diá. 165 mm ..... C 6BU )  
 ( Diá. 185 mm ..... C 7BU )
  - (2) Llave anular ..... 1
  - (3) Guía ..... 1
  - (4) Perno de mariposa ..... 1
- Los accesorios normales están sujetos a cambio sin previo aviso.

## ACCESORIOS FACULTATIVOS (de venta por separado)

- (1) Juego colector de polvo (D)  
 Conecte la manguera de succión para colectar el serrín a la aspiradora (consulte la Fig. 12).
- (2) Arandela (A)  
 ..... para 16 mm (Diá. del orificio interior de la cuchilla de sierra)  
 ..... para 30 mm (Diá. del orificio interior de la cuchilla de sierra)
- (3) Adaptador para carril de guía (consulte la Fig. 13)

Los accesorios de facultativos están sujetos a cambio sin pervio aviso.

## APLICACIONES

Cortar diversos tipos de madera.

## ANTES DE LA PUESTA EN MARCHA

1. **Alimentación**  
 Asegurarse de que la alimentación de red que ha de ser utilizada responda a las exigencias de corriente especificadas en la placa de características del producto.
2. **Conmutador de alimentación**  
 Asegurarse de que el conmutador de alimentación esté en la posición OFF (desconectado). Si la clavija está conectada en la caja del enchufe mientras el conmutador de alimentación esté en posición ON (conectado) las herramientas eléctricas empezarán a trabajar inmediatamente, provocando un serio accidente.
3. **Cable de prolongación**  
 Cuando está alejada el área de trabajo de la red de alimentación, usar un cable de prolongación de un grosor y potencia nominal suficiente. El cable de prolongación debe ser mantenido lo más corto posible.
4. **Preparar un banco de trabajo de madera (Fig. 1)**  
 Como la cuchilla sobresale debajo de la superficie inferior de la madera útil, situar la madera útil encima de un banco de trabajo al cortar. Si se usa un bloque cuadrado como banco de trabajo, seleccionar un fondo liso para asegurar que sea estable. Un banco de trabajo inestable tendrá como resultado una operación peligrosa.

### PRECAUCION

Para evitar posibles accidentes, asegurarse siempre de que la parte de la madera útil restante después de haberla cortado, quede sujetado firmemente y mantenido en su posición.

## AJUSTE ANTES DE CORTAR

### 1. Ajuste de la propundidad de corte:

Aflojar la perilla con una mano al mismo tiempo que sujeta el mango con la otra, de la forma mostrada en la **Fig. 2**. La profundidad de corte podrá ajustarse moviendo la base hasta la posición deseada. Ajustar la profundidad de corte y apretar firmemente la perilla.

### 2. Ajustar la cuchilla partidora:

Soltar el perno de cabeza hexagonal para tensar la cuchilla partidora, ajustar la cuchilla partidora a la posición como muestra en la **Fig. 3** y volver a apretar firmemente con el perno.

### 3. Ajuste del ángulo de inclinación:

Como se muestra en la **Fig. 4 (A)** y en la **Fig. 4 (B)**, aflojando la perilla del calibrador de inclinación y el perno de mariposa de la base, la cuchilla podrá inclinarse hasta un máximo de 45° grados con respecto a la base. Después de haber completado el ajuste, vuelva a confirmar que la perilla y el perno de mariposa estén firmemente apretados.

### 4. Para regular la guía (Fig. 5)

La posición de corte puede ser regulada moviendo la guía a la izquierda o a la derecha después de afojar su pasador de palomilla. La guía puede ser montada en el lado derecho o izquierdo del aparato.

### 5. Ajuste de la pieza guía

En la sierra circular usted podrá ajustar con precisión la posición de fijación de la pieza guía, donde haya que alinear la cuchilla de sierra y la línea previamente marcada.

Cuando la sierra sale de fábrica, la parte lineal de una escala frontal de la pieza guía está alineada con la posición central de la cuchilla de sierra. (**Fig. 6**) Si el tornillo fijado a la pieza guía está aflojado la posición será errónea, y habrá que ajustar la posición.

## PROCEDIMIENTO DE CORTE

1. Coloque la base sobre el material, y después alinee la línea previamente marcada y la cuchilla de sierra con la sección de la escala frontal de la pieza guía de la parte frontal de la base. (**Fig. 6**)

Cuando la base no esté inclinada, utilice un corte largo como guía. (**Fig. 6, Fig. 7 (A)**)

Si la base está inclinada (45 grados), utilice la escala frontal pequeño como guía. (**Fig. 6, Fig. 7 (B)**)

2. Asegurarse de que el conmutador esté girado a la posición ON (conectado) antes de que la cuchilla entre en contacto con la madera útil. Cuando el conmutador se apreta está puesto en ON (conectado) y cuando se vuelve a apretar queda en OFF (desconectado) el pulsador está soltado.

3. Cuando la sierra se mueva todo a la derecha con una velocidad constante producirá un corte efectivo.

### PRECAUCIONES

- Antes de empezar a serrar, asegurarse de que la cuchilla haya alcanzado la plena velocidad de giro.
- En caso de que la cuchilla se parara o hiciera un ruido anormal durante la operación, desconectar el conmutador inmediatamente.
- Siempre prestar atención para evitar que el cable se acerque a la cuchilla que gira.

## MONTAR Y DESMONTAR LA CUCHILLA

### PRECAUCION

Para evitar accidentes graves asegurarse de que el conmutador está la posición OFF (desconectado) y la acometida de red también esté desconectada.

#### 1. Desmontaje de la cuchilla:

- (1) Poner el volumen de corte al máximo y situar la sierra circular como se muestra en **Fig. 8**.
- (2) Presionar la palanca de cierre, asegurar el husillo y quitar el perno de cabeza hexagonal.
- (3) Mientras se sujeta la palanca de la cubierta de seguridad para retraer completamente la cubierta de seguridad dentro de la cubierta de la sierra, quitar la cuchilla de sierra.

#### 2. Colocación de la cuchilla:

- (1) Limpiar el polvo del husillo, perno y arandelas.
- (2) Como muestra la **Fig. 9**, el lado de la arandela (A) con un control sobresaliente del mismo diámetro que el diámetro interior de la cuchilla de sierra y el lado cóncavo de arandela (B), tienen que ser montados a los lados de la cuchilla de sierra.

\* La arandela (A) se suministra para 2 tipos de cuchillas de sierra de orificios interiores de 16 y 30 mm.

(Cuando compre una sierra circular, se le suministrará un tipo de arandela (A).)

En caso de que el orificio interior de su cuchilla de sierra no corresponda con el de la arandela (A), póngase en contacto con el establecimiento en el que haya adquirido la sierra circular.

- (3) Montar la cuchilla de forma que la flecha marcada quede alineada con la flecha de la cubierta.
- (4) Apretar el perno de tope de cabeza hexagonal de retención con la mano tan firmemente como sea posible. Luego presionar la palanca de cierre, trabar el husillo y apretar firmemente el perno.

### PRECAUCION

Después de haber instalado la cuchilla de sierra, vuelva a confirmar que la palanca de cierre esté firmemente asegurada en la posición indicada.

## MANTENIMIENTO E INSPECCIÓN

### 1. Inspeccionar la cuchilla:

Como el uso de una cuchilla desgastada disminuye la eficiencia y origina posible funcionamiento defectuoso del motor, afilar o reemplazar la cuchilla tan pronto como se note el desgaste.

### 2. Inspeccionar los tornillos de montaje:

Regularmente inspeccionar todos los tornillos de montaje y asegurarse de que estén apretados firmemente. Si cualquier tornillo estuviera suelto, volver a apretarlo inmediatamente. El no hacer esto provocaría un riesgo serio.

### 3. Inspección de escobillas de carbón: (Fig. 10)

El motor emplea carbones de contacto que son partes consumibles. Como un carbón de contacto excesivamente desgastado podría dar problemas al motor, reemplazar el carbón de contacto por uno nuevo, que tenga el mismo número mostrado en la figura, cuando se haya desgastado o esté cerca del límite de uso. Adicionalmente, mantener siempre los carbones de contacto limpios y asegurarse de que corran libremente dentro de los sujetadores de carbón.

## PRECAUCIÓN:

- Para reemplazar las escobillas, utilice siempre otras genvinas de Hitachi con el número (56) especificado en el dibujo.

El freno es posible que no trabaje si utiliza escobillas diferentes a las especificadas.

- Cuando el freno no funcione, reemplace las escobillas por otras nuevas.

### 4. Reemplazar el carbón de contacto:

Quitar la cápsula de carbón con un destornillador con cabeza pequeña. El carbón de contacto se deja luego se quita fácilmente.

### 5. Mantenimiento de motor:

La unidad de bobinado del motor es el verdadero "corazón" de las herramientas eléctricas. Prestar el mayor cuidado a asegurarse de que el bobinado no se dañe y/o se humedezca con aceite o agua.

### 6. Ajuste de la perpendicularidad entre la base y la cuchilla:

El ángulo entre la cuchilla y la base, está ajustado originalmente de forma que se mantenga a 90°, pero si se pierde tal ajuste, ajustarlo de la forma siguiente:

- (1) Estando la base encarada hacia arriba, (Fig. 11) afloja la perilla y el perno de mariposa. (Fig. 4 (A), Fig. 4 (B))
- (2) Cuando aplique una escuadra a la base y apoyándola sobre la cuchilla, girar el tornillo sin cabeza con un destornillador (-) para despazar la base, y ajustar la base y la cuchilla de forma que queden en ángulo recto entre sí.

### 7. Lista de repuestos

- A: N°. ítem
- B: N°. código
- C: N°. usado
- D: Observaciones

## PRECAUCIÓN

La reparación, modificación e inspección de las herramientas eléctricas Hitachi deben ser realizadas por un Centro de Servicio Autorizado de Hitachi. Esta lista de repuestos será de utilidad si es presentada junto con la herramienta al Centro de Servicio Autorizado de Hitachi, para solicitar la reparación o cualquier otro tipo de mantenimiento. En el manejo y el mantenimiento de las herramientas eléctricas, se deberán observar las normas y reglamentos vigentes en cada país.

## MODIFICACIONES

Hitachi Power Tools introduce constantemente mejoras y modificaciones para incorporar los últimos avances tecnológicos.

Por consiguiente, algunas partes (por ejemplo, números de códigos y/o diseño) pueden ser modificadas sin previo aviso.

## OBSERVACIÓN

Debido al programa continuo de investigación y desarrollo de HITACHI estas especificaciones están sujetas a cambio sin previo aviso.

---

## Información sobre el ruido propagado por el aire y vibración

Los valores medidos fueron determinados de acuerdo con EN50144.

El nivel de presión acústica de ponderación A típico es de 94 dB (A) (C 6BU), 95 dB (A) (C 7BU).

Nivel de potencia acústica de ponderación A típico: 107 dB (A) (C 6BU), 108 dB (A) (C 7BU).

Utilice protectores para los oídos.

El valor de aceleración de ponderación media cuadrática típico no sobrepasa 2,5 m/s<sup>2</sup>.

---

## ● Información acerca del sistema de la fuente de alimentación con una tensión nominal de 230V ~ (Sólo para C7BU)

Bajo condiciones transitorias de tensión, esta herramienta eléctrica puede producir *caídas transitorias de tensión o fluctuaciones perturbadoras de tensión*.

Esta herramienta eléctrica tiene por objeto conectarse a una fuente de alimentación con una impedancia de sistema máxima permisible  $Z_{MAX}$  de 0,44 Ohm en el punto interfacial (caja de servicio de alimentación) del suministro de energía del usuario.

El usuario debe cerciorarse de que esta herramienta eléctrica sea conectada únicamente a un sistema de suministro de energía que cumpla con el requerimiento de arriba.

Si es necesario, el usuario puede preguntar a la empresa de suministro de alimentación cuál es la impedancia del sistema en el punto interfacial.

---

## PRECAUÇÕES GERAIS QUANTO À OPERAÇÃO

**ATENÇÃO!** Ao utilizar ferramentas elétricas, observe determinadas medidas básicas de segurança, para se evitar o risco de incêndio, choques elétricos e acidentes pessoais, inclusive os que se seguem.

Leia todas estas instruções antes de utilizar este equipamento, conservando-as depois em seu poder.

Para operações seguras:

1. Mantenha o local de trabalho arrumado. A desordem no local de trabalho pode ser motivo de acidente.
2. Leve em consideração o ambiente que o rodeia. Não exponha as ferramentas elétricas à chuva. Não utilize ferramentas elétricas em locais úmidos ou molhados. Trabalhe em local bem iluminado. Não utilize ferramentas elétricas em locais onde haja risco de incêndios ou explosões.
3. Evite choques elétricos. Evite o contato com superfícies ligadas à terra. (p.ex. tubos, radiadores, fogões, refrigeradores).
4. Mantenha as crianças afastadas. Não deixe que terceiros toquem na ferramenta ou no cabo elétrico. Não permita que crianças permaneçam no local de trabalho.
5. Guarde as ferramentas que não estão sendo utilizadas. As ferramentas que não estão sendo utilizadas devem ser guardadas em local seco, alto ou fechado, fora do alcance de crianças.
6. Não sobrecarregue a ferramenta. O trabalho será melhor e mais seguro se forem observados os limites indicados para cada ferramenta.
7. Utilize ferramentas apropriadas. Não use ferramentas pequenas ou acessórios para trabalhos pesados. Não empregue ferramentas em trabalhos e para fins a que não se destinam; não se sirva, por exemplo, de uma serra circular manual para cortar galhos ou troncos de árvores.
8. Escolha vestuário apropriado para o trabalho. Não use roupas largas ou jóias, pois podem prender-se em alguma peça móvel. Nos trabalhos externos aconselha-se o uso de luvas de borracha e sapatos que não escorreguem. Se tiver cabelo comprido, prenda-os com uma rede.
9. Utilize óculos de proteção. Coloque também máscara para o rosto ou contra a poeira durante os trabalhos que propiciam a formação de pó.
10. Conecte equipamento de extração de poeira. Se forem fornecidos dispositivos para a conexão de equipamentos de extração de poeira e aspirador de pó certifique-se de que estão conectados e usados de maneira apropriada.
11. Não force o cabo elétrico. Nunca transporte a ferramenta pelo cabo e não o puxe para tirar o plugue da tomada. Proteja o cabo contra o calor e evite o seu contato com óleo e objetos cortantes.
12. Mantenha fixa a peça a trabalhar. Utilize dispositivos de fixação ou uma morsa para prender a peça a trabalhar. É mais seguro do que a fixação manual e permite manejar a ferramenta com ambas as mãos.
13. Controle sua posição. Escolha uma posição segura e mantenha sempre o equilíbrio.
14. Efetue uma manutenção cuidadosa das ferramentas. Tenha as ferramentas sempre afiadas e limpas para que possa trabalhar bem e em segurança. Siga as instruções para lubrificação e troca de acessórios. Inspeccione periodicamente os cabos elétricos da ferramenta e, se estiverem danificados, mande-os para conserto nas oficinas autorizadas. Mantenha as empunhaduras secas, limpas e livres de óleo e graxa.

15. Não mantenha a ferramenta ligada à rede. Quando não estiver em uso ou ao trocar de acessório como, por exemplo, cortadores, brocas e lâminas, mantenha a máquina desligada da rede.
16. Retire as chaves de ajuste. Habitue-se a verificar se as chaves de ajuste foram retiradas da ferramenta antes de fazer a ligação.
17. Evite ligações despropositadas. Não transporte ferramentas ligadas à corrente com o dedo colocado no interruptor de comando. Antes de ligar a ferramenta à rede, certifique-se de que o interruptor de comando está desligado.
18. Utilize cabos de extensão para uso externo. Ao ar livre, utilize apenas um cabo de extensão próprio para este fim.
19. Mantenha-se sempre alerta. Ao sentir-se cansado, não utilize a ferramenta.
20. Verifique se as peças apresentam danos. Antes de continuar a utilizar a ferramenta, verifique cuidadosamente se os dispositivos de proteção e peças que apresentem pequenos danos estão operacionais. Veja se as peças móveis estão alinhadas, se movimentando com fluência, se existem peças danificadas, se estão perfeitamente montadas ou se existem quaisquer outros problemas que possam afetar sua operação. Todas as peças e dispositivos de proteção que não estejam funcionando perfeitamente devem ser consertados ou substituídos numa oficina autorizada, a menos que haja indicações contrárias nestas instruções de uso. Não utilize a ferramenta se o interruptor não ligar nem desligar.
21. Atenção  
A utilização de quaisquer acessórios ou aparelhos adicionais que não se encontrem nestas instruções de uso podem apresentar riscos de acidentes pessoais.
22. Utilize os serviços de pessoas qualificadas. Esta ferramenta elétrica está de acordo com os requisitos de segurança apropriados. Os consertos devem ser apenas realizados por pessoal qualificado, utilizando peças sobressalentes originais. Caso contrário, o usuário pode estar correndo um risco considerável.

## PRECAUÇÕES NO USO DA SERRA CIRCULAR

1. Não use as lâminas de serra que estejam deformadas ou quebradas.
2. Não use lâminas de serra feitas de aço rápido.
3. Não use lâminas de serra que não estejam de acordo com as características especificadas nestas instruções.
4. Não pare as lâminas de serra utilizando pressão lateral sobre o disco.
5. Mantenha sempre as lâminas bem afiadas.
6. Certifique-se que a tampa de segurança se movimentam regular e livremente.
7. Não use nunca uma serra circular com sua tampa de segurança presa na posição aberta.
8. Certifique-se que o mecanismo de retração do sistema de guarda opera corretamente.
9. O corpo das lâminas de serra devem ser mais finos que a lâmina fendida e que a espessura para cortar, ou corte (com o conjunto de dentes) deve ser maior que a da lâmina fendida.
10. Não opere nunca a serra circular com a lâmina de serra virada para cima ou para o lado.
11. Certifique-se de que o material está livre de materiais estranhos como pregos.
12. A lâmina fendida deve ser usada sempre ao cravar no meio da peça a ser trabalhada.

13. Fara o modelo C6BU, a gama de lâminas de serra deve ser de 165 mm a 150 mm.  
Para o modelo C7BU, a gama de lâminas de serra deve ser de 185 mm a 170 mm.
14. Tome cuidado com o retrocesso do freio.  
Esta serra circular possui um freio elétrico que funciona quando o interruptor é solto. Como existe um certo retrocesso quando o freio funciona, certifique-se de segurar bem o corpo principal da ferramenta.
15. De vez em quando podem surgir fagulhas causadas pela operação de frenagem quando o interruptor estiver desligado (OFF) pois os modelos C6BU e C7BU utilizam freios elétricos. Saiba, no entanto, que este fenômeno não é um problema da máquina.
16. Quando o freio se torna ineficiente, substitua as escovas de carvão por novas.
17. Desconecte o plugue da tomada antes de realizar qualquer ajuste, conserto ou manutenção.

## ESPECIFICAÇÕES

Modelo		C 6BU	C 7BU
Voltagem (por áreas)*		(110V, 230V) ~	
Cutting Depth	90°	54 mm	63 mm
	45°	39 mm	45 mm
Potência de entrada*		1010W	1150W
Rotação sem carga		5000/min	
Peso (sem fio)		3,5 kg	4,0 kg

\* Não deixe de verificar a voltagem na placa identificadora constante do produto, pois ela está sujeita a mudanças conforme a área.

## ACESSÓRIOS PADRÃO

- (1) Lâmina de serra (montada na ferramenta) ..... 1  
( Diâmetro 165 mm ... C 6BU )  
( Diâmetro 185 mm ... C 7BU )
  - (2) Chave de encaixe ..... 1
  - (3) Guarda ..... 1
  - (4) Parafuso-borboleta ..... 1
- Os acessórios-padrão estão sujeitos a mudanças sem aviso prévio.

## ACESSÓRIOS OPCIONAIS

(vendidos separadamente)

- (1) Conjunto de coletor de poeira (D)  
Conecte a mangueira de sucção para coletar a poeira da serra com o aspirador de pó. (Veja Fig. 12).
  - (2) Arruela (A) ... para 16 mm (diâmetro do furo da lâmina de serra)  
... para 30 mm (diâmetro do furo da lâmina de serra)
  - (3) Adaptador de guarda de trilho (Veja Fig. 13)
- Os acessórios opcionais estão sujeitos a mudanças sem aviso prévio.

## APLICAÇÕES

Cortar vários tipos de madeira

## ANTES DA OPERAÇÃO

1. **Fonte de energia**  
Certifique-se de que a fonte de energia a ser utilizada está conforme às exigências especificadas na placa identificadora do produto.
2. **Interruptor**  
Certifique-se de que o interruptor está na posição desligada. Se o plugue estiver conectado a um receptáculo quando o interruptor estiver ligado, a

ferramenta elétrica vai começar a operar imediatamente, podendo provocar um grave acidente.

### 3. Cabo de extensão

Quando o local de trabalho não possuir uma fonte de energia, utilize um cabo de extensão de espessura e de potência nominal suficientes. A extensão deve ser mantida tão curta quanto possível.

### 4. Prepare uma bancada de trabalho de madeira (Fig. 1)

Como a lâmina de serra se estende além da superfície mais baixa da madeira, coloque a madeira numa bancada de trabalho ao cortá-la. Se for utilizado um bloco quadrado como bancada de trabalho, selecione um piso nivelado para assegurar-se de que ela está adequadamente estável. Uma banca instável pode tornar a operação arriscada.

### CUIDADO

Para evitar um possível acidente, assegure-se sempre de que a porção de madeira que sobrar depois do corte esteja ancorada firmemente ou segura na posição.

## AJUSTE DA SERRA ANTES DO USO

### 1. Ajuste da profundidade do corte

Como mostra a Fig. 2, segure o cabo com uma mão enquanto afrouxa o botão com a outra. A profundidade de corte pode ser ajustada movendo-se a base para a posição desejada. Dessa maneira, ajuste a profundidade do corte e depois reaperte firmemente o botão.

### 2. Ajuste da lâmina fendida

Afrouxe o parafuso de cabeça sextavada usado para prender a lâmina fendida, ajuste-a na posição mostrada na Fig. 3 e reaperte firmemente o parafuso.

### 3. Ajuste o ângulo de inclinação

Como mostra a Fig. 4 (A), Fig. 4 (B) desapertando o botão na bitola inclinada e o parafuso-borboleta na base, a lâmina de serra pode ser inclinada num



ângulo máximo de 45° em relação à base. Depois de ter completado o ajuste, verifique de novo se o botão e o parafuso-borboleta estão bem apertados.

#### 4. Regulagem da guarda (Fig. 5)

A posição de corte pode ser regulada, movendo-se a guarda para a esquerda ou para a direita depois de afrouxar seu parafuso-borboleta. A guarda pode ser montada do lado direito ou do esquerdo da ferramenta.

#### 5. Ajuste da guarda

Na serra circular, é possível fazer ajustes finos da posição de fixação da guarda, onde a lâmina de serra e a linha de referência devem ser alinhadas. Quando a serra é embarcada na fábrica, a porção linear da escala frontal na guarda está alinhada na posição central da lâmina de serra. (Fig. 6)

Afrouxe o parafuso fixado na guarda, se a posição estiver errada e faça os ajustes necessários da posição.

### PROCEDIMENTOS DE CORTE

1. Coloque a base sobre o material, depois ajuste a linha de referência e a lâmina de serra com a seção de escala frontal da guarda na parte da frente da base. (Fig. 6)

Quando a base não estiver inclinada, use o recorte como guia. (Fig. 6, Fig. 7(A))

Se a base estiver inclinada (45 graus), use a pequena escala frontal como guia. (Fig. 6, Fig. 7(B))

2. Assegure-se de que o interruptor está na posição ligada (ON) antes de a lâmina de serra entrar em contato com a madeira. O interruptor está ligado (ON) quando o gatilho for apertado; e desligado (OFF) quando o gatilho for solto.
3. Movimentar a serra reta em velocidade constante produz cortes perfeitos.

#### CUIDADOS

- Antes de iniciar a serra, assegure-se de que a lâmina de serra atingiu giro de velocidade total.
- Caso a lâmina de serra seja interrompida ou produza um ruído anormal durante a operação, desligue o interruptor imediatamente.
- Tome sempre cuidado para que o cabo de força não chegue perto da serra circular em funcionamento.

### MONTAGEM E DESMONTAGEM DA LÂMINA DE SERRA

#### CUIDADO

Para evitar um acidente grave, certifique-se que o interruptor está na posição desligada (OFF), e que a fonte de energia está desconectada.

#### 1. Desmontagem da lâmina de serra

- (1) Coloque o volume de corte no máximo e a serra circular como mostra a Fig. 8.
- (2) Aperte a alavanca de bloqueio, prenda o eixo e retire o parafuso de cabeça sextavada com a chave de encaixe.
- (3) Ao mesmo tempo em que segura a alavanca da tampa de segurança para manter a tampa de segurança completamente retraída dentro da tampa da serra, retire a lâmina de serra.

#### 2. Montagem da lâmina de serra:

- (1) Remova minuciosamente qualquer serragem que tenha se acumulado no eixo, parafusos e arruelas.
- (2) Conforme mostra a Fig. 9, o lado da arruela (A) com um centro saliente do mesmo diâmetro que o diâmetro interno da lâmina de serra e o lado côncavo da arruela (B) devem ser colocados nos lados da lâmina de serra.

\* A arruela (A) é fornecida para dois tipos de lâminas de serra com diâmetros do furo de 16 mm e 30 mm. (Ao comprar a Serra Circular, um tipo de arruela (A) é fornecido.)

No caso em que o diâmetro do furo de sua lâmina de serra não corresponda ao da arruela (A), contate a loja onde você adquiriu sua Serra Circular.

- (3) Para garantir uma direção correta da rotação da lâmina de serra, a direção da seta na lâmina de serra deve coincidir com a direção da seta na tampa da serra.
- (4) Com os dedos, aperte o parafuso de cabeça sextavada, prendendo tanto quanto possível a lâmina de serra. Depois aperte a alavanca de bloqueio, prenda o eixo e aperte bem o parafuso.

#### CUIDADO

Depois de prender a lâmina de serra, verifique novamente se a alavanca de bloqueio está bem presa na posição prescrita.

### MANUTENÇÃO E INSPEÇÃO

#### 1. Inspeção da lâmina de serra:

Como o uso da lâmina de serra cega diminui a eficácia e pode causar um mau funcionamento do motor, afie ou substitua a lâmina de serra logo que notar que existe desgaste da mesma.

#### 2. Inspeção dos parafusos de montagem

Inspeccione regularmente todos os parafusos de montagem e se certifique de que estão corretamente apertados. Se algum deles estiver frouxo, reaperte-o imediatamente. Caso isso não seja feito, pode resultar em perigo grave.

#### 3. Inspeção das escovas de carvão (Fig. 10)

O motor emprega escovas de carvão que são peças de consumo. Como uma escova de carvão excessivamente desgastada pode provocar problemas no motor, troque-a por uma nova que tenha o mesmo número mostrado na ilustração. Além disso, mantenha as escovas de carvão sempre limpas e certifique-se de que elas deslizam livremente nos suportes de escova.

#### CUIDADOS

- Ao substituir escovas de carvão por novas, use sempre peças genuínas Hitachi com o número (56) especificado no desenho. O freio pode não funcionar se escovas de carvão diferentes das especificadas forem utilizadas.
  - Quando o freio se tornar ineficaz, substitua as escovas de carvão por novas.
4. Troca de escovas de carvão:  
Desmonte a proteção da escova com uma chave de fenda. As escovas de carvão podem, então, ser facilmente removidas.

## 5. Manutenção do motor

A unidade de enrolamento do motor é o verdadeiro "coração" da ferramenta elétrica. Cuide bem para assegurar que o enrolamento não se danifique e/ou se molhe com óleo ou água.

## 6. Ajuste da base e da lâmina de serra para manter a perpendicularidade:

O ângulo entre a base e a lâmina de serra foi ajustada para 90°, no entanto, se esta perpendicularidade for perdida por alguma razão, ajuste novamente da seguinte maneira:

- (1) Gire a base para cima (**Fig. 11**) e afrouxe o botão e o parafuso-borboleta. (**Fig. 4 (A)**, **Fig. 4 (B)**).
- (2) Aplique um esquadro na base e na lâmina de serra e gire o parafuso com uma chave de fenda, mude a posição da base para produzir o ângulo reto desejado.

## 7. Lista de peças para conserto

- A: Item N°
- B: Código N°
- C: N° Usado
- D: Observações

## CUIDADO

Consertos, modificações e inspeção de Ferramentas Elétricas da Hitachi devem ser realizados por uma Oficina Autorizada da Hitachi.

Esta lista de peças pode ser útil se apresentada com a ferramenta na Oficina Autorizada da Hitachi ao solicitar conserto ou manutenção.

Na operação e na manutenção das ferramentas elétricas, devem-se observar as normas de segurança e os padrões prescritos por cada país.

## MODIFICAÇÃO

As Ferramentas Elétricas da Hitachi estão sempre sendo aperfeiçoadas e modificadas para incorporar os mais recentes avanços tecnológicos.

Dessa forma, algumas peças (isto é, números de código e/ou design) podem mudar sem aviso prévio.

## NOTA

Devido ao contínuo programa de pesquisa e desenvolvimento da HITACHI, as especificações aqui contidas estão sujeitas a mudanças sem aviso prévio.

---

---

## Informação a respeito de ruídos e vibração do ar

Os valores medidos foram determinados de acordo com EN50144.

Nível típico de pressão sonora de peso A:

94 dB (A) (C 6BU)

95 dB (A) (C 7BU)

Nível típico da potência sonora de peso A:

107 dB (A) (C 6BU)

108 dB (A) (C 7BU)

Use protetores de ouvido.

O valor típico da aceleração média ponderada da raiz quadrada não deve exceder 2,5 m/s<sup>2</sup>.

---

---

---

## ● Informação sobre o sistema de fornecimento de energia de voltagem nominal 230 V~ (Somente para C7BU)

Sob condições desfavoráveis dos circuitos, esta ferramenta elétrica pode causar *quedas de voltagem transitórias ou flutuações que interferem na voltagem*.

Esta ferramenta elétrica foi planejada para ser conectada a um sistema de fornecimento de energia com a impedância máxima permissível  $Z_{MAX}$  de 0,44 Ohm no ponto de interface (caixa de ligações de força) do usuário.

O usuário precisa se certificar que esta ferramenta elétrica está conectada a um sistema de fornecimento de energia que preencha o requisito acima.

Se necessário, o usuário pode solicitar à companhia de fornecimento de energia elétrica um sistema de impedância no ponto de interface.

---

## ΓΕΝΙΚΑ ΜΕΤΡΑ ΑΣΦΑΛΕΙΑΣ ΚΑΤΑ ΤΗ ΛΕΙΤΟΥΡΓΙΑ

**ΚΙΝΔΥΝΟΣ!** Κατά τη χρήση ηλεκτρικών εργαλείων, τα βασικά μέτρα ασφαλείας πρέπει πάντοτε να ακολουθούνται για την ελάττωση του κινδύνου της πυρκαγιάς, της ηλεκτροπληξίας και του ατομικού τραυματισμού, συμπεριλαμβανομένων των παρακάτω. Διαβάστε όλες αυτές τις οδηγίες πριν θέσετε σε λειτουργία αυτό το προϊόν και φυλάξτε αυτές τις οδηγίες.

Για ασφαλείς λειτουργίες:

1. Διατηρήστε τον χώρο εργασίας καθαρό. Οι ακατάστατοι χώροι και πάγκοι εργασίας έχουν την τάση να προκαλούν τραυματισμούς.
2. Λάβετε υπόψην το περιβάλλον εργασίας. Μην εκθέσετε τα ηλεκτρικά εργαλεία στη βροχή. Μην χρησιμοποιήσετε ηλεκτρικά εργαλεία σε υψισμέτες ή υγρές περιοχές. Κρατήστε το χώρο εργασίας καλά φωτισμένο. Μην χρησιμοποιήσετε τα ηλεκτρικά εργαλεία σε χώρο όπου υπάρχει κίνδυνος φωτιάς ή έκρηξης.
3. Φυλαχτείτε ενάντια στην ηλεκτροπληξία. Αποφύγετε την σωματική επαφή με γειωμένες επιφάνειες, (π.χ. σωλήνες, θερμάστρες, μαγειρικές συσκευές, ψυγεία).
4. Κρατήστε τα παιδιά μακριά. Μην αφήνετε τους επισκέπτες να ανκίζουν το εργαλείο ή το καλώδιο προέκτασης. Όλοι οι επισκέπτες πρέπει να κρατούνται μακριά από το χώρο εργασίας.
5. Αποθιμκώστε τα εργαλεία που δεν βρίσκονται σε λειτουργία. Όταν δεν χρησιμοποιούνται τα εργαλεία πρέπει να αποθηκεύονται σε ένα χώρο που είναι κλειστός, βρίσκεται σε μια υψηλή θέση ή είναι κλειδωμένος, μακριά από τη πρόσβαση των παιδιών.
6. Μην ασκήσετε βία στο εργαλείο. Θα πραγματοποιήσει την εργασία καλύτερα και με μεγαλύτερη ασφάλεια στο ρυθμό για τον οποίο σχεδιάστηκε.
7. Χρησιμοποιήστε το κατάλληλο εργαλείο. Μην προσαρτήσετε βία σε μικρά εργαλεία ή προσαρτήματα να κάνετε τη δουλειά ενός εργαλείου σχεδιασμένου για βαριές δουλειές. Μην χρησιμοποιήσετε εργαλεία για δουλειές για τις οποίες δεν προορίζονται. Για παράδειγμα μην χρησιμοποιήσετε ένα κόφτη για να κόψετε κλαδιά δέντρου ή κούτσουρα.
8. Ντυθείτε κατάλληλα. Μην φοράτε φαρδιά ρούχα ή κοσμήματα, αυτά μπορούν να πιαστούν στα μετακινούμενα μέρη. Αστιγνία γάντια και μη ολισθηρά υποδήματα συνιστώνται όταν εργάζεστε σε εξωτερικούς χώρους. Φορέστε ένα προστατευτικό κάλυμμα μαλλιών για να καλύψετε τα μακριά μαλλιά.
9. Χρησιμοποιήστε προστατευτικό ματιών. Επίσης χρησιμοποιήστε μάσκα προσώπου ή σκόνης αν η εργασία της κοπής θα προκαλέσει σκόνη.
10. Συνδέστε ένα εξάρτημα εξαγωγής σκόνης. Αν παρέχονται εξάρτηματα για την σκόνη των συσκευών εξαγωγής και συλλογής σκόνης σιγουρευτείτε ότι αυτά είναι συνδεδεμένα και ότι χρησιμοποιούνται κατάλληλα.
11. Μην χρησιμοποιήσετε βία στο καλώδιο. Ποτέ μη μεταφέρετε το εργαλείο από το καλώδιο ή το τραβήξετε απότομα για να το αποσυνδέσετε από την υποδοχή. Κρατήστε το καλώδιο μακριά από θερμότητα, λάδι, και κοφτερές γωνίες.
12. Σιγουρευτείτε το αντικείμενο εργασίας σας. Χρησιμοποιήστε σφιγκτήρες ή μια μέγγηνη για το κράτημα του αντικειμένου πάνω στο οποίο εργάζεστε. Είναι πιο ασφαλές από το να

χρησιμοποιείτε το χέρι σας και επιπρόσθετα ελευθερώνει και τα δυο χέρια για να λειτουργήσετε το εργαλείο.

13. Μην προεκτείνετε. Διατηρήστε πάντοτε το κατάλληλο πάτημα και ισορροπία.
14. Συντηρείτε τα εργαλεία με προσοχή. Διατηρείτε τα εργαλεία που κόβουν αιχμηρά και καθαρά για καλύτερη και ασφαλέστερη απόδοση. Ακολουθήστε τις οδηγίες για τη λίπανση και την αλλαγή εξαρτημάτων. Ελέγχετε τα καλώδια των εργαλείων περιοδικά και αν έχουν πάθει ζημιά, επισκευάστε τα σε ένα εξουσιοδοτημένο κέντρο επισκευής. Ελέγχετε τα καλώδια περιοδικά και αντικαταστήστε τα αν έχουν πάθει ζημιά. Κρατήστε τις λαβές στεγνές, καθαρές, χωρίς να έχουν λάδι και γράσο.
15. Αποσυνδέστε τα εργαλεία. Όταν δεν χρησιμοποιούνται, πριν από το σέρβρις και κατά την αλλαγή εξαρτημάτων όπως λεπίδες, ακίδες, και κόφτες.
16. Αφαιρέστε τα κλειδιά ρυθμιζόμενου ανοίγματος και τα απλά κλειδιά. Έχετε την συνήθεια να ελέγχετε να δείτε αν τα απλά κλειδιά και τα κλειδιά ρυθμιζόμενου ανοίγματος έχουν αφαιρεθεί από το εργαλείο πριν το βάλετε να δουλέψει.
17. Αποφύγετε την άσκοπη εκκίνηση. Μην μεταφέρετε ένα συνδεδεμένο στην μπρίζα εργαλείο με τη σκανδάλη στο χέρι. Βεβαιωθείτε ότι ο διακόπτης είναι κλειστός όταν βάχετε το εργαλείο στη μπρίζα.
18. Χρησιμοποιήστε καλώδια προέκτασης για χρήση σε εξωτερικό χώρο. Όταν το εργαλείο χρησιμοποιείται σε εξωτερικό χώρο χρησιμοποιήστε καλώδια προέκτασης που προορίζονται για χρήση στον εξωτερικό χώρο.
19. Να είστε σε επιμέλεια. Βλέπετε τι κάνετε. Χρησιμοποιήστε τη κοινή λογική. Μην λειτουργείτε το εργαλείο όταν είστε κουρασμένοι.
20. Ελέγξτε τα κατεστραμμένα τμήματα. Πριν την παράπερα χρήση του εργαλείου, ο προφυλακτήρας ή το οποιοδήποτε κομμάτι που έχει πάθει ζημιά πρέπει να ελεγχθεί προσεκτικά για να διαπιστωθεί ότι θα λειτουργήσει κανονικά και θα εκτελέσει την λειτουργία για την οποία προορίζεται. Ελέγξτε την ευθυγράμμιση των κινούμενων τμημάτων, την ελεύθερη κίνηση των κινούμενων τμημάτων, το σπάσιμο των τμημάτων, την στερώση και τις οποιοσδήποτε άλλες καταστάσεις που ενδέχεται να επηρεάζουν την λειτουργία του. Ο προφυλακτήρας ή οποιοδήποτε άλλο τμήμα που έχει πάθει ζημιά θα πρέπει να διορθωθεί κατάλληλα ή να αντικατασταθεί από ένα εξουσιοδοτημένο για σέρβρις κέντρο εκτός και αν υπάρχει ένδειξη για κάτι άλλο σε αυτές τις οδηγίες χειρισμού. Αντικαταστήστε τους ελαττωματικούς διακόπτες από ένα εξουσιοδοτημένο για σέρβρις κέντρο. Μην χρησιμοποιήσετε το εργαλείο αν ο διακόπτης δεν το βάζει σε εκκίνηση και δεν το κλείνει.
21. Κίνδυνος  
Η χρήση οποιονδήποτε εξαρτημάτων ή προσαρτημάτων εκτός από αυτά που συνιστώνται σε αυτές τις οδηγίες χειρισμού, μπορεί να προκαλέσει τον κίνδυνο προσωπικού τραυματισμού.
22. Επισκευάστε το εργαλείο σας σε ένα έμπειρο πρόσωπο. Αυτό το ηλεκτρικό εργαλείο είναι εναρμονισμένο με τους σχετικούς κανόνες ασφαλείας. Η επισκευή θα πρέπει να γίνεται μόνον από έμπειρα άτομα που χρησιμοποιούν αυθεντικά ανταλλακτικά. Διαφορετικά μπορεί να προκληθεί σημαντικός κίνδυνος για τον χρήστη.

## ΠΡΟΦΥΛΑΚΤΙΚΑ ΜΕΤΡΑ ΓΙΑ ΤΗΝ ΧΡΗΣΗ ΤΟΥ ΔΙΣΚΟΠΡΙΟΝΟΥ

- Μην χρησιμοποιήσετε παραμορφωμένες ή ραγισμένες πριονωτές λεπίδες.
- Μην χρησιμοποιήσετε πριονωτές λεπίδες που είναι φτιαγμένες από ατσάλι ταχείας κοπής.
- Μην χρησιμοποιήσετε πριονωτές λεπίδες που δεν είναι εναρμονισμένες με τα χαρακτηριστικά που καθορίζονται σε αυτές τις οδηγίες.
- Μην σταματάτε τις πριονωτές λεπίδες, εφαρμόζοντας πλευρική πίεση στο δίσκο.
- Πάντοτε διατηρείτε τις πριονωτές λεπίδες κοφτερές.
- Εξασφαλίστε ότι το κάλυμμα ασφαλείας μετακινείτε ομαλά και ελεύθερα.
- Ποτέ μην χρησιμοποιήσετε ένα δισκοπρίονο με το κάλυμμα ασφαλείας στερεωμένο στην ανοικτή θέση.
- Εξασφαλίστε ότι ο μηχανισμός ανάκλησης του συστήματος του προφυλακτήρα λειτουργεί σωστά.
- Το πάχος των πριονωτών λεπίδων πρέπει να είναι μικρότερο από το πάχος του διαχωριστικού μαχαιριού και του πλάτους της κοπής, ή η εγκοπή (με το σετ των δοντιών) θα πρέπει να είναι παχύτερη από το διαχωριστικό μαχαίρι.
- Ποτέ μην λειτουργείτε το δισκοπρίονο με την πριονωτή λεπίδα προς τα επάνω ή στα πλάγια.

- Εξασφαλίστε ότι το υλικό δεν περιέχει ξένα αντικείμενα όπως καρφιά.
- Το διαχωριστικό μαχαίρι πρέπει πάντοτε να χρησιμοποιείται εκτός όταν μπαίνει στο μέσον του κομματιού εργασίας. For model C 6BU, the saw blades range should be from 165 mm to 150 mm.
- Για το μοντέλο C 6BU, οι πριονωτές λεπίδες πρέπει να είναι από 165 mm μέχρι 150 mm. Για το μοντέλο C 7BU, οι πριονωτές λεπίδες πρέπει να είναι από 185 mm μέχρι 170 mm.
- Δώστε προσοχή στο λάκτισμα του φρένου. Αυτό το δισκοπρίονο έχει ένα ηλεκτρικό φρένο που λειτουργεί όταν ελευθερωθεί ο διακόπτης. Επειδή υπάρχει κάποιο λάκτισμα όταν λειτουργεί το φρένο, βεβαιωθείτε να κρατάτε το κύριο σώμα του εργαλείου σταθερά.
- Σπίδες μηχανοκίνητο μερικές φορές να εμφανιστούν, που προκαλούνται από την λειτουργία του φρεναρίσματος όταν ο διακόπτης κλείσει επειδή τα μοντέλα C6BU και C7BU έχουν ηλεκτρικά φρένα. Να γνωρίζετε, όμως, ότι αυτό το φαινόμενο δεν αποτελεί πρόβλημα της μηχανής.
- Όταν το φρένο γίνει μη αποτελεσματικό, αντικαταστήστε τα καρβουνάκια με καινούργια.
- Αποσυνδέστε το βύσμα από την παροχή πριν εκτελέσετε την οποιαδήποτε ρύθμιση, σέρβις ή συντήρηση.

## ΤΕΧΝΙΚΑ ΧΑΡΑΚΤΗΡΙΣΤΙΚΑ

Μοντέλο		C 6BU	C 7BU
Τάση (ανά περιοχές)*		(110V, 230V) ~	
Βάθος κοπής	90°	54 mm	63 mm
	45°	39 mm	45 mm
Ισχύς εισόδου*		1010W	1150W
Ταχύτητα χωρίς φορτίο		5000/min	
Βάρος (χωρίς καλώδιο)		3,5 kg	4,0 kg

\* Βεβαιωθείτε να ελέγξετε την πινακίδα στο προϊόν επειδή υπόκεινται σε αλλαγή σε εξάρτηση από την περιοχή.

## ΚΑΝΟΝΙΚΑ ΕΞΑΡΤΗΜΑΤΑ

- Πριονωτή λεπίδα (στερεωμένη στο εργαλείο) ... 1  
( Διαμ. 165 mm ..... C 6BU )  
( Διαμ. 185 mm ..... C 7BU )
  - Μπουλονόκλειδο ..... 1
  - Οδηγός ..... 1
  - Φτερωτό μπουλόνι ..... 1
- Τα κανονικά εξαρτήματα υπόκεινται σε αλλαγή χωρίς προειδοποίηση.

## ΠΡΟΑΙΡΕΤΙΚΑ ΕΞΑΡΤΗΜΑΤΑ

(Πωλούνται ξεχωριστά)

- Σετ Συλλογέα Σκόνης (D)  
Συνδέστε το λάστιχο αναρρόφησης για να συλλέξετε την πριονόσκονη με την απορροφητική σκούπα (βλέπε **Εικ. 12**).
- Ροδέλα (A) ...για 16 mm (Διαμ. τρύπας της πριονωτής λεπίδας)  
...για 30 mm (Διαμ. τρύπας της πριονωτής λεπίδας)
- Προσαρμογέας αντελάματος (Βλέπε **Εικ. 13**)  
Βίδωμα και αφαίρεση μικρών βιδών, μικρών μπουλονιών, κλπ.

## ΕΦΑΡΜΟΓΕΣ

Κόψιμο διάφορων τύπων ξύλου.

## ΠΡΙΝ ΤΗ ΛΕΙΤΟΥΡΓΙΑ

### 1. Πηγή ρεύματος

Βεβαιωθείτε ότι η πηγή ρεύματος που πρόκειται να χρησιμοποιηθεί είναι εναρμονισμένη με τις απαιτήσεις σε ρεύμα που αναφέρεται στην πινακίδα του εργαλείου.

### 2. Διακόπτης ρεύματος

Βεβαιωθείτε ότι ο διακόπτης ρεύματος βρίσκεται στη θέση OFF. Αν το βίωμα είναι στη μπρίζα καθώς ο διακόπτης ρεύματος βρίσκεται στο ON, το εργαλείο θα αρχίσει να λειτουργεί αμέσως, με πιθανότητα πρόκλησης σοβαρού ατυχήματος.

### 3. Καλώδιο προέκτασης

Όταν ο χώρος εργασίας βρίσκεται μακριά από την παροχή ρεύματος. Χρησιμοποιήστε ένα καλώδιο προέκτασης με κατάλληλο πάχος και ικανότητα μεταφοράς ρεύματος. Το καλώδιο προέκτασης πρέπει να είναι τόσο κοντό όσο είναι πρακτικά δυνατό.

4. **Ετοιμάστε ένα ξύλινο πάγκο εργασίας (Εικ. 1)**  
Επειδή η πριονωτή λεπίδα επεκτείνεται πέρα από την κατώτερη επιφάνεια της ξυλείας, τοποθετήστε τη ξυλεία πάνω σε ένα πάγκο εργασίας όταν κόβετε. Αν χρησιμοποιείται ένα τετράγωνο αντικείμενο ως πάγκο εργασίας, επιλέξτε ένα επίπεδο έδαφος για να εξασφαλίσετε ότι έχει σταθεροποιηθεί κατάλληλα. Ένας ασταθής πάγκος εργασίας θα προκαλέσει την επικίνδυνη λειτουργία.

#### ΠΡΟΣΟΧΗ

Για την αποφυγή ενός πιθανού ατυχήματος, πάντοτε να εξασφαλίσετε ότι το τμήμα της ξυλείας που απομένει μετά την κοπή είναι στερεωμένο με ασφάλεια ή κρατιέται στη θέση του.

## ΡΥΘΜΙΣΗ ΤΟΥ ΠΡΙΟΝΙΟΥ ΠΡΙΝ ΤΗ ΧΡΗΣΗ

1. **Ρύθμιση του βάθους κοπής**  
Όπως φαίνεται στην **Εικ. 2**, κρατάτε τη λαβή με το ένα χέρι καθώς ξεσφίγγετε το κουμπί με το άλλο. Το βάθος κοπής μπορεί να ρυθμιστεί μετακινώντας τη βάση στην επιθυμητή θέση. Με τέτοιο τρόπο ρυθμίστε το βάθος κοπής και μετά ξανασφίξτε γερά το κουμπί.
2. **Ρύθμιση του διαχωριστικού μαχαιριού**  
Ξεσφίξτε το μπουλόνι με την εξάγωνη κεφαλή που χρησιμοποιείται για να σφίξει το διαχωριστικό μαχαίρι, ρυθμίστε το διαχωριστικό μαχαίρι στην θέση που δείχνεται στην **Εικ. 3** και σφίξτε γερά το μπουλόνι.
3. **Ρύθμιση της γωνίας κλίσης**  
Όπως φαίνεται στις **Εικ. 4 (Α)**, **Εικ. 4 (Β)** ξεσφίγγοντας το κουμπί στο μετρητή κλίσης και το φτερωτό μπουλόνι στη βάση, η πριονωτή λεπίδα μπορεί να πάρει κλίση με μέγιστη γωνία 45° σε σχέση με τη βάση. Μετά την ολοκλήρωση της ρύθμισης, επιβεβαιώστε ότι το κουμπί και το φτερωτό μπουλόνι έχουν σφίχτει γερά.
4. **Ρύθμιση του οδηγού (Εικ. 5)**  
Η θέση κοψίματος μπορεί να ρυθμιστεί μετακινώντας τον οδηγό προς τα αριστερά ή προς τα δεξιά μετά το ξέσφιγμα του φτερωτού μπουλονιού. Ο οδηγός μπορεί να στερεωθεί στην οποιαδήποτε αριστερή ή δεξιά πλευρά του εργαλείου.
5. **Προσαρμογή του οδηγητικού κομματιού**  
Στο δισκοπρίονο είναι δυνατόν να ρυθμίσετε την ακριβή θέση στερέωσης του οδηγητικού κομματιού, εκεί όπου η πριονωτή λεπίδα και η προσημειωμένη γραμμή πρόκειται να ευθυγραμμιστούν. Κατά την αποστολή του πριονιού από το εργοστάσιο, το ευθύγραμμο τμήμα της μπροστινής κλίμακας στο οδηγητικό κομμάτι είναι ευθυγραμμισμένο με την κεντρική θέση της πριονωτής λεπίδας. (**Εικ. 6**)  
Ξεσφίξτε την στερεωμένη βίδα στο οδηγητικό κομμάτι, αν η θέση στερέωσης είναι λανθασμένη, και κάνετε την απαραίτητη ρύθμιση στη θέση.

## ΔΙΑΔΙΚΑΣΙΕΣ ΚΟΠΗΣ

1. Τοποθετήστε τη βάση στο υλικό, μετά ευθυγραμμίστε την προσημειωμένη γραμμή και την πριονωτή λεπίδα με το τμήμα της μπροστινής

κλίμακας του οδηγητικού κομματιού μπροστά από τη βάση. (**Εικ. 6**)

Όταν η βάση δεν είναι επικλινή, χρησιμοποιήστε ένα μεγάλο απόκομμα ως οδηγό (**Εικ. 6, Εικ. 7(Α)**) Όταν η βάση είναι επικλινή (45 μοίρες), χρησιμοποιήστε την μικρή μπροστινή κλίμακα ως οδηγό (**Εικ. 6, Εικ. 7(Β)**)

2. Εξασφαλίστε ότι ο διακόπτης ανοίγει στην θέση ON πριν η πριονωτή λεπίδα έρθει σε επαφή με την ξυλεία. Ο διακόπτης ανοίγει στη θέση ON όταν η σκανδάλη πατηθεί, και κλείνει στη θέση OFF όταν η σκανδάλη ελευθερωθεί.
3. Η μετακίνηση του πριονιού ευθύγραμμα με σταθερή ταχύτητα θα δημιουργήσει το βέλτιστο κόψιμο.

#### ΠΡΟΣΟΧΗ

- Πριν να αρχίσετε το πριόνισμα, εξασφαλίστε ότι η πριονωτή λεπίδα έχει φτάσει στην μέγιστη περιστροφική ταχύτητα.
- Αν η πριονωτή λεπίδα σταματήσει ή προκαλέσει κάποιο αφύσικο θόρυβο κατά τη λειτουργία, κλείστε αμέσως το διακόπτη.
- Πάντοτε να δίνετε προσοχή ώστε να αποφεύγετε το ηλεκτρικό καλώδιο να έρχεται κοντά την περιστρεφόμενη πριονωτή λεπίδα.

## ΣΥΝΔΕΣΗ ΚΑΙ ΑΠΟΣΥΝΔΕΣΗ ΤΗΣ ΠΡΙΟΝΩΤΗΣ ΛΕΠΙΔΑΣ

#### ΠΡΟΣΟΧΗ

Για την αποφυγή σοβαρών ατυχημάτων εξασφαλίστε ότι ο διακόπτης βρίσκεται στη θέση OFF, και ότι η παροχή ρεύματος είναι αποσυνδεδεμένη.

#### 1. Αποσύνδεση της πριονωτής λεπίδας

- (1) Ρυθμίστε τον όγκο κοπής στο μέγιστο, και τοποθετήστε το Δισκοπρίονο όπως φαίνεται την **Εικ. 8**.
- (2) Συμπιέστε το μοχλό κλειδώματος, κλειδώστε τον άξονα, και αφαιρέστε το μπουλόνι με την εξάγωνη κεφαλή με το μπουλονόκλειδο.
- (3) Καθώς κρατάτε το μοχλό του καλύμματος ασφαλείας, για να κρατήσετε το κάλυμμα ασφαλείας πλήρως συσταλτό μέσα το κάλυμμα του πριονιού, αφαιρέστε την πριονωτή λεπίδα.

#### 2. Σύνδεση της πριονωτής λεπίδας:

- (1) Αφαιρέστε καλά την οποιαδήποτε πριονόσκονη η οποία έχει εναποτεθεί στον άξονα, στο μπουλόνι και στις ροδέλες.
- (2) Όπως δείχνεται στην **Εικ. 9**, η πλευρά της Ροδέλας (Α) με το προεξέχον κέντρο, που έχει την ίδια διάμετρο με την εσωτερική διάμετρο της πριονωτής λεπίδας, και η κυρτή πλευρά της Ροδέλας (Β) πρέπει να τοποθετηθούν στις πλευρές της πριονωτής λεπίδας.

\* Η ροδέλα (Α) παρέχεται για 2 τύπους πριονωτών λεπίδων με διαμέτρους τρύπας των 16 mm και 30 mm. (Όταν αγοράζετε το Δισκοπρίονο, ένας τύπος ροδέλας (Α) παρέχεται.)

Στην περίπτωση που διάμετρος της τρύπας της πριονωτής λεπίδα σας δεν αντιστοιχεί σε αυτόν της ροδέλας (Α), παρακαλώ επικοινωνήστε με το κατάστημα από το οποίο αγοράσατε το Δισκοπρίονο.

- (3) Για την διασφάλιση της κατάλληλης διεύθυνσης περιστροφής της πριονωτής λεπίδας, η διεύθυνση του βέλους στην πριονωτή λεπίδα πρέπει να

συμπίπτει με την διεύθυνση του βέλους στο κάλυμμα του πριονιού.

- (4) ΥΧρησιμοποιώντας τα δάκτυλα σφίξτε το μπουλόνι με την εξάγωνη κεφαλή συγκρατώντας την πριονωτή λεπίδα όσο το δυνατόν περισσότερο. Μετά συμπίεστε τον μοχλό κλειδώματος, κλειδώστε τον άξονα, και σφίξτε καλά το μπουλόνι.

## ΠΡΟΣΟΧΗ

Αφότου συνδέσετε την πριονωτή λεπίδα, επαναβεβαιώστε ότι ο μοχλός κλειδώματος είναι γερά στερεωμένος στην συνιστώμενη θέση.

## ΣΥΝΤΗΡΗΣΗ ΚΑΙ ΕΠΙΘΕΩΡΗΣΗ

### 1. Επιθεώρηση της πριονωτής λεπίδας:

Επειδή η χρήση μια αμβλύς πριονωτής λεπίδας θα περιορίσει την απόδοση και θα προκαλέσει την πιθανή δυσλειτουργία του μοτέρ, ακονίστε ή αντικαταστήστε την πριονωτή λεπίδα μόλις παρατηρηθεί φθορά.

### 2. Έλεγχος των βιδών στερέωσης

Ελέγχετε περιοδικά όλες τις βίδες στερέωσης και βεβαιωθείτε ότι είναι κατάλληλα σφιγμένες. Στην περίπτωση που χαλαρώσει οποιαδήποτε βίδα σφίξτε την ξανά αμέσως. Αν δεν το κάνετε αυτό μπορεί να έχει ως αποτέλεσμα το σοβαρό τραυματισμό.

### 3. Έλεγχος στα καρβουνάκια (Εικ. 10).

Το μοτέρ χρησιμοποιεί καρβουνάκια τα οποία είναι αναλώσιμα μέρη. Επειδή ένα υπερβολικά φθαρμένο καρβουνάκι μπορεί να προκαλέσει πρόβλημα στο μοτέρ αντικαταστήστε το καρβουνάκι με καινούργιο το οποίο έχει τον ίδιο Αριθμό Άνθρακα που φαίνεται στην εικόνα όταν φθαρεί ή όταν φτάσει στο όριο φθοράς. Επιπρόσθετα, πάντοτε κρατάτε τα καρβουνάκια καθαρά και εξασφαλίστε ότι ολισθαίνουν ελεύθερα ανάμεσα στις θήκες.

## ΠΡΟΣΟΧΗ

- Κατά την επανατοποθέτηση των καινούργιων καρβουνακίων, πάντοτε να χρησιμοποιείτε αυθεντικά καρβουνάκια Hitachi με σειριακό αριθμό (56) που προσδιορίζεται στο διάγραμμα. Το φρένο μπορεί να μην λειτουργήσει αν χρησιμοποιηθούν διαφορετικά καρβουνάκια από τα προσδιορισμένα .

- Όταν το φρένο γίνει μη αποτελεσματικό, αντικαταστήστε τα καρβουνάκια με καινούργια.

### 4. Αντικατάσταση των καρβουνακίων:

Αποσυνδέστε τα καλύμματα των καρβουνακίων με ένα κατσαβίδι εγκοπτώμενης κεφαλής. Τα καρβουνάκια μπορούν μετά να αφαιρεθούν εύκολα.

### 5. Συντήρηση του μοτέρ

Η περιέλιξη της μονάδα του μοτέρ είναι η καρδιά του ηλεκτρικού εργαλείου. Δώστε μεγάλη προσοχή για να σιγουρευτείτε ότι η περιέλιξη δεν θα πάθει ζημιά και / ή θα βρεχθεί με λάδι ή νερό.

### 6. Ρύθμιση της βάσης και της πριονωτής λεπίδας για την διατήρηση της κατακόρυφου:

Η γωνία μεταξύ της βάσης και της πριονωτής λεπίδας μπορεί να ρυθμιστεί στις 90°, όμως αν η κατακόρυφος χαθεί για κάποιο λόγο, ρυθμίστε κατά τον ακόλουθο τρόπο:

- (1) Στρέψτε τη βάση προς τα επάνω (Εικ. 11) και ξεσφίξτε το κουμπί και το φτερωτό μπουλόνι (Εικ. 4 (Α), Εικ. 4 (Β)).
- (2) Εφαρμόστε ένα γνώμονα στην βάση και την

πριονωτή λεπίδα και στρέψτε την βίδα με εγκοπτή με το κατσαβίδι για εγκοπτώμενη κεφαλή, μετακινήστε την θέση της βάσης για να δημιουργήσετε την επιθυμητή δεξιά γωνία.

## 7. Λίστα συντήρησης των μερών

- A: Αρ. Αντικειμένου  
B: Αρ. Κωδικού  
C: Αρ. που χρησιμοποιήθηκε  
D: Παρατηρήσεις

## ΠΡΟΣΟΧΗ

Η επισκευή, η τροποποίηση και ο έλεγχος των Ηλεκτρικών Εργαλείων Hitachi πρέπει να γίνεται από ένα Εξουσιοδοτημένο κέντρο σέρβις της Hitachi.

Αυτή η Λίστα των Μερών θα είναι χρήσιμη αν παρουσιαστεί μαζί με το εργαλείο στο εξουσιοδοτημένο Κέντρο Σέρβις της Hitachi όταν ζητάτε επισκευή ή κάποια άλλη συντήρηση.

Κατά τον έλεγχο και τη συντήρηση των ηλεκτρικών εργαλείων, οι κανόνες ασφαλείας και οι κανονισμοί που υπάρχουν σε κάθε χώρα πρέπει να ακολουθούνται.

## ΤΡΟΠΟΠΟΙΗΣΗ

Τα Ηλεκτρικά Εργαλεία Hitachi βελτιώνονται συνεχώς και τροποποιούνται για να συμπεριλάβουν τις τελευταίες τεχνολογικές προόδους.

Κατά συνέπεια, ορισμένα τμήματα (δηλ. κωδικοί αριθμοί και / ή σχεδιασμός) μπορούν να αλλάξουν χωρίς προηγούμενη ειδοποίηση.

## ΣΗΜΕΙΩΣΗ

Εξαιτίας του συνεχιζόμενου προγράμματος έρευνας και ανάπτυξης της Hitachi τα τεχνικά χαρακτηριστικά που εδώ αναφέρονται μπορούν να αλλάξουν χωρίς προηγούμενη ειδοποίηση.

## Πληροφορίες που αφορούν τον εκπεμπόμενο θόρυβο και τη δόνηση.

Οι τιμές μετρήθηκαν σύμφωνα με το EN50144.

Ένα τυπικό επίπεδο πίεσης ήχου A :

94 dB (A) (C 6BU)

95 dB (A) (C 7BU)

Ένα τυπικό επίπεδο A ηχητικής ισχύος είναι:

107 dB (A) (C 6BU)

108 dB (A) (C 7BU)

Φοράτε προστατευτικά αυτιών.

Η τυπική τιμή ρίζας μέσης τετραγωνικής επιτάχυνσης δεν ξεπερνά τα 2,5 m/s<sup>2</sup>.

---

● Πληροφορίες για το σύστημα παροχής ρεύματος ονομαστικής τάσης 230 V ~ (Μόνο για C7BU)

Κάτω από δυσμενείς συνθήκες του δικτύου παροχής, αυτό το ηλεκτρικό εργαλείο μπορεί να προκαλέσει προσωρινές πτώσεις της τάσης ή παρεμβολή μέσω διακυμάνσεις στην τάση.

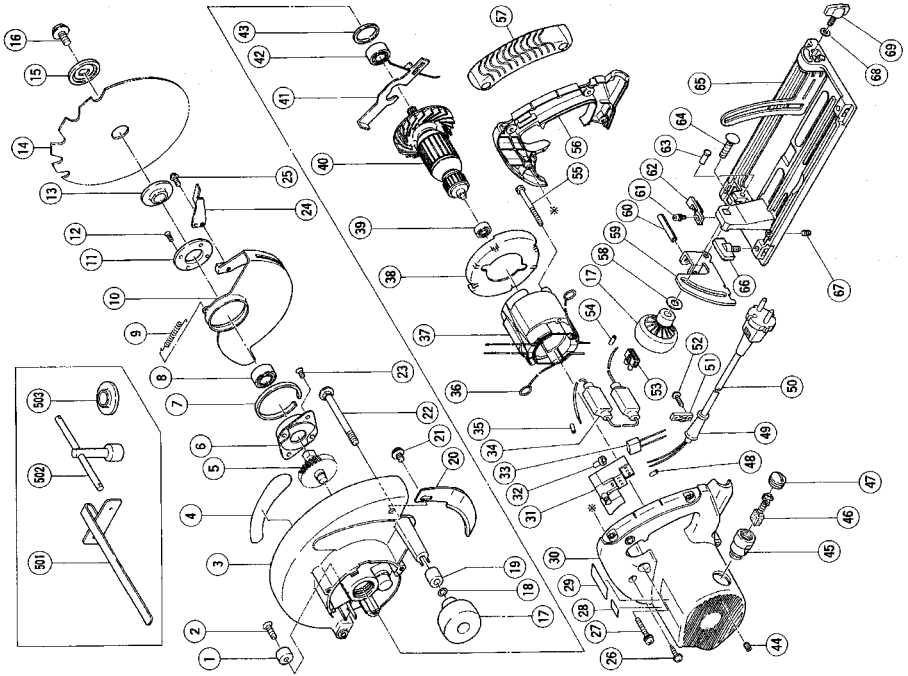
Αυτό το ηλεκτρικό εργαλείο προορίζεται για σύνδεση σε σύστημα παροχής ρεύματος με μέγιστη επιτρεπτή σύνθετη αντίσταση  $Z_{MAX}$  των 0,44 Ωm στο διασυνδεδετικό σημείο (κουτί ρεύματος) της παροχής του χρήστη.

Ο χρήστης πρέπει να εξασφαλίσει ότι το ηλεκτρικό εργαλείο είναι συνδεδεμένο μόνο σε σύστημα παροχής ρεύματος που πληρεί την παραπάνω απαίτηση.

Αν είναι απαραίτητο, ο χρήστης μπορεί να αποταθεί στην εταιρεία παροχής ηλεκτρικού ρεύματος για την σύνθετη αντίσταση του συστήματος στο διασυνδεδετικό σημείο.

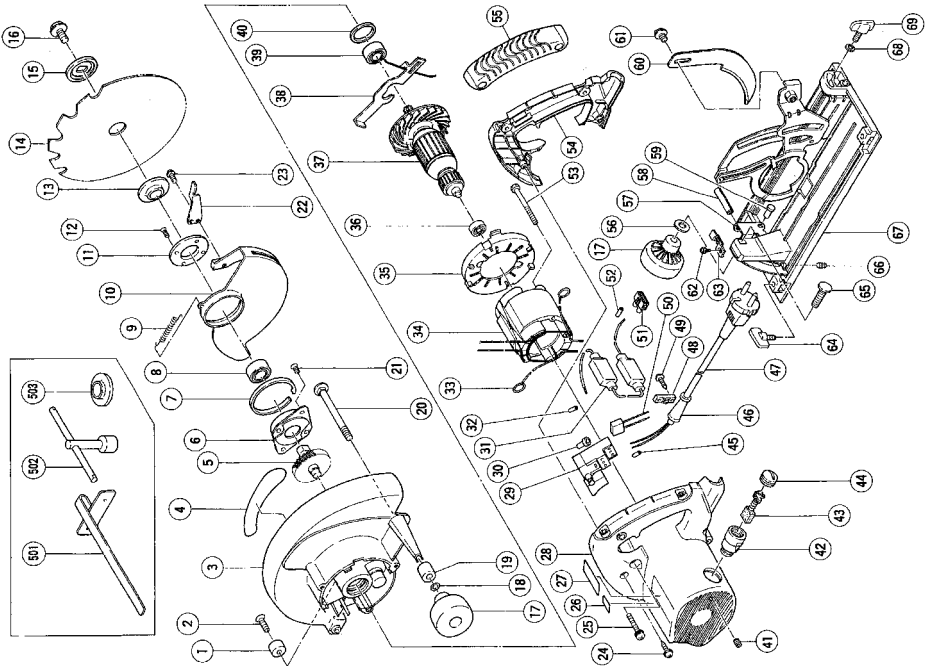
---

A	B	C	D	E	F
1	961-729	1			6001VVCMP2SL
2	949-794	1	M6x20		1
3	302-742	1	"1, 2, 43"		M5x8
4		1			2
5	302-449	1			2
6	302-433	1			2
7	961-807	1			2
8	600-3VV	1	6003VVCMP2S		D8.8
9	302-463	1			D10.1
10	302-461	1			"GBR"
11	302-435	1			"SUI"
12	990-430	2	M4x10		2
13	302-476	1			D4x16
14	302-443	1	"FRG, FRA"		
15	302-409	1	165MM-D30		
16	302-407	1	165MM-D16		
17	302-423	1			D5x50
18	302-427	1	M8x15.5		
19	302-458	2			M8
20	676-531	1	P-7		
21	303-838	1			D6x40
22	302-468	1	M8x10		M4x8
23	316-444	1	M8x105		
24	992-013	2	M5x14		D6x17
25	302-464	1			M8x30
26	304-043	4	M4x10		"17, 58, 59,
27	301-653	4	D4x20		61-64, 68, 69"
28	302-434	3	M5x45		
29		1			M6x15
30	316-447	1			M6x6
31	316-445	1	"44, 45"		M6
32	959-141	1			M6x17
33	930-039	1			
34	316-446	1			13MM
35	981-373	3			"FRA"
36	930-703	2			
37	340-424E	1	50092		
38	302-454	1	"36"		
39	608-VVM	1	608VVMC2EPS2L		
40	360-479E	1			
41	302-453	1			

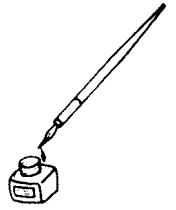




C7BU



A	B	C	D	A	B	C	D
1	961-729	1		41	938-477	2	M5x8
2	949-794	1	M6x20	42	960-685	2	
3	302-993	1	"1, 2, 40"	43	999-056	2	
4		1		44	945-161	2	
5	302-988	1		45	981-373	1	D8.8
6	302-433	1		46	953-327	1	D10.1
7	961-807	1		46.2	938-051	1	
8	600-3VV	1	6003VVCMP2S	47	500-234Z	1	"GBR"
9	303-512	1		47.1	500-435Z	1	"SAF"
10	302-991	1		47.2	500-237Z	1	"SUI"
11	302-435	1		47.3	500-248Z	1	
12	990-430	2	M4x10	48	937-631	1	
13	302-476	1		49	984-750	2	D4x16
13.2	302-443	1	"FRG, FRA"	50	930-039	1	
14	302-412	1	185MM-D30	51	938-307	1	
14.2	302-410	1	185MM-D16	52	981-373	1	
15	302-423	1		53	953-174	2	D5x55
16	302-427	1	M8x15.5	54	316-441	1	
17	302-458	2		55	316-442	1	
18	676-531	1	P-7	56	949-433	1	M8
19	303-801	1		57	308-479	1	
20	316-444	1		58	949-686	1	D6x40
21	992-013	2	M5x14	59	308-480	2	D6x17
22	302-464	1		60	305-541	1	
23	304-043	1	M4x10	61	302-468	1	M4x10
24	301-653	4	D4x20	62	976-815	1	M4x8
25	302-434	3	M5x45	63	316-246	1	
26		1		64	301-806	1	M6x15
27		1		65	302-457	1	M8x30
28	316-447	1	"41, 42"	66	301-806	1	M6x15
29	316-445	1		67	316-471	1	"17, 56, 57, 59, 62, 63, 65, 68, 69"
30	959-141	1	50092				
31	316-446	1					
32	981-373	3					
33	930-703	2					
34	340-425E	1	"33"				
35	302-989	1					
36	608-VVM	1	608VVMC2EPS2L				
37	360-480E	1					
38	302-453	1					
39	600-1VV	1					
40	958-130	1	6001VVCMP2S2L				



<p>English</p> <p><b><u>GUARANTEE CERTIFICATE</u></b></p> <ol style="list-style-type: none"> <li>① Model No.</li> <li>② Serial No.</li> <li>③ Date of Purchase</li> <li>④ Customer Name and Address</li> <li>⑤ Dealer Name and Address (Please stamp dealer name and address)</li> </ol>	<p>Nederlands</p> <p><b><u>GARANTIEBEWIJS</u></b></p> <ol style="list-style-type: none"> <li>① Modelnummer</li> <li>② Serienummer</li> <li>③ Datum van aankoop</li> <li>④ Naam en adres van de gebruiker</li> <li>⑤ Naam en adres van de handelaar (Stempel a.u.b. naam en adres vande de handelaar)</li> </ol>
<p>Deutsch</p> <p><b><u>GARANTIESCHEIN</u></b></p> <ol style="list-style-type: none"> <li>① Modell-Nr.</li> <li>② Serien-Nr.</li> <li>③ Kaufdatum</li> <li>④ Name und Anschrift des Kunden</li> <li>⑤ Name und Anschrift des Händlers (Bitte mit Namen und Anschrift des Handlers abstempeln)</li> </ol>	<p>Español</p> <p><b><u>CERTIFICADO DE GARANTIA</u></b></p> <ol style="list-style-type: none"> <li>① Número de modelo</li> <li>② Número de serie</li> <li>③ Fecha de adquisición</li> <li>④ Nombre y dirección del cliente</li> <li>⑤ Nombre y dirección del distribuidor (Se ruega poner el sellú del distribuidor con su nombre y dirección)</li> </ol>
<p>Français</p> <p><b><u>CERTIFICAT DE GARANTIE</u></b></p> <ol style="list-style-type: none"> <li>① No. de modèle</li> <li>② No de série</li> <li>③ Date d'achat</li> <li>④ Nom et adresse du client</li> <li>⑤ Nom et adresse du revendeur (Cachet portant le nom et l'adresse du revendeur)</li> </ol>	<p>Português</p> <p><b><u>CERTIFICADO DE GARANTIA</u></b></p> <ol style="list-style-type: none"> <li>① Número do modelo</li> <li>② Número do série</li> <li>③ Data de compra</li> <li>④ Nome e morada do cliente</li> <li>⑤ Nome e morada do distribuidor (Por favor, carimbe o nome e morada do distribuidor)</li> </ol>
<p>Italiano</p> <p><b><u>CERTIFICATO DI GARANZIA</u></b></p> <ol style="list-style-type: none"> <li>① Modello</li> <li>② N° di serie</li> <li>③ Data di acquisto</li> <li>④ Nome e indirizzo dell'acquirente</li> <li>⑤ Nome e indirizzo del rivenditore (Si prega di apporre il timbro con questi dati)</li> </ol>	<p>Ελληνικά</p> <p><b><u>ΠΙΣΤΟΠΟΙΗΤΙΚΟ ΕΓΓΥΗΣΗΣ</u></b></p> <ol style="list-style-type: none"> <li>① Αρ. Μοντέλου</li> <li>② Αύξων Αρ.</li> <li>③ Ημερομηνία αγοράς</li> <li>④ Όνομα και διεύθυνση πελάτη</li> <li>⑤ Όνομα και διεύθυνση μεταπωλητή (Παρακαλούμε να χρησιμοποιηθεί σφραγίδα)</li> </ol>

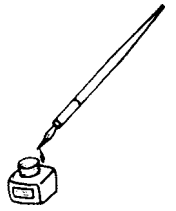



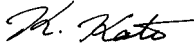
# Hitachi Koki

①	
②	
③	
④	
⑤	

**HITACHI**





<p>English</p> <p><b>EC DECLARATION OF CONFORMITY</b></p> <p>We declare under our sole responsibility that this product is in conformity with standards or standardized documents EN50144, EN55014 and EN61000-3 in accordance with Council Directives 73/23/EEC, 89/336/EEC and 98/37/EC.</p> <p>This declaration is applicable to the product affixed CE marking.</p>	<p>Nederlands</p> <p><b>EC VERKLARING VAN CONFORMITEIT</b></p> <p>Wij verklaren onder eigen verantwoordelijkheid dat dit produkt conform de richtlijnen of gestandaardiseerde documenten EN50144, EN55014 en EN61000-3 voldoet aan de eisen van EEG Bepalingen 73/23/EEG, 89/336/EEG en 98/37/EC.</p> <p>Deze verklaring is van toepassing op produkten voorzien van de CE-markeringen.</p>
<p>Deutsch</p> <p><b>ERKLÄRUNG ZUR KONFORMITÄT MIT CE-REGELN</b></p> <p>Wir erklären mit alleiniger Verantwortung, daß dieses Produkt den Standards oder standardisierten Dokumenten EN50144, EN55014 und EN61000-3 in Übereinstimmung mit den Direktiven des Europarats 73/23/EWG, 89/336/EWG und 98/37/CE entspricht.</p> <p>Diese Erklärung gilt für Produkte, die die CE-Markierung tragen.</p>	<p>Español</p> <p><b>DECLARACIÓN DE CONFORMIDAD DE LA CE</b></p> <p>Declaramos bajo nuestra única responsabilidad que este producto está de acuerdo con las normas o con los documentos de normalización EN50144, EN55014 y EN61000-3, según indican las Directrices del Consejo 73/23/CEE, 89/336/CEE y 98/37/CE.</p> <p>Esta declaración se aplica a los productos con marcas de la CE.</p>
<p>Français</p> <p><b>DECLARATION DE CONFORMITE CE</b></p> <p>Nous déclarons sous notre seule et entière responsabilité que ce produit est conforme aux normes ou documents normalisés EN50144, EN55014 et EN61000-3 en accord avec les Directives 73/23/CEE, 89/336/CEE et 98/37/CE du Conseil.</p> <p>Cette déclaration s'applique aux produits désignés CE.</p>	<p>Português</p> <p><b>DECLARAÇÃO DE CONFORMIDADE CE</b></p> <p>Declaramos, sob nossa única e inteira responsabilidade, que este produto está de acordo com as normas ou documentos normativos EN50144, EN55014 e EN61000-3, em conformidade com as Diretrizes 73/23/CEE, 89/336/CEE e 98/37/CE do Conselho.</p> <p>Esta declaração se aplica aos produtos designados CE.</p>
<p>Italiano</p> <p><b>DICHIARAZIONE DI CONFORMITÀ CE</b></p> <p>Si dichiara sotto nostra responsabilità che questo prodotto è conforme agli standard o ai documenti standardizzati EN50144, EN55014 e EN61000-3 conforme alle direttive 73/23/CEE, 89/336/CEE e 98/37/CE del concilio.</p> <p>Questa dichiarazione è applicabile ai prodotti cui sono applicati i marchi CE.</p>	<p>Ελληνικά</p> <p><b>ΕΚ ΔΗΛΩΣΗ ΕΝΑΡΜΟΝΙΣΜΟΥ</b></p> <p>Δηλώνουμε με απόλυτη υπευθυνότητα ότι αυτό το προϊόν είναι εναρμονισμένο με τα πρότυπα ή τα έγγραφα προτύπων EN50144, EN55014 και EN61000-3 σε συμφωνία με τις Οδηγίες του Συμβουλίου 73/23/ΕΟΚ, 89/336/ΕΟΚ και 98/37/ΕΚ.</p> <p>Αυτή η δήλωση ισχύει στο προϊόν με το σημάδι CE.</p>
<p>Representative office in Europe  <b>Hitachi Power Tools Europe GmbH</b>  Siemensring 34, 47877 Willich 1, F. R. Germany</p> <p>Head office in Japan  <b>Hitachi Koki Co., Ltd.</b>  Shinagawa Intercity Tower A, 15-1, Konan 2-chome,  Minato-ku, Tokyo, Japan</p> <div style="text-align: right;">   31. 12. 2003    K. Kato  Board Director </div>	

 **Hitachi Koki Co., Ltd.**