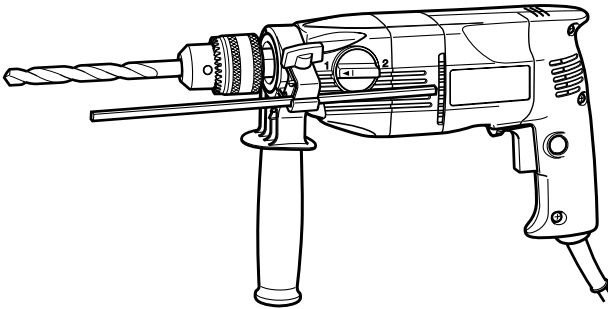


HITACHI

**DRILL
BOHRMASCHINE
PERCEUSE
TRAPANO
BOORMACHINE
TALADRO**

D 13VB2 • D 13T2

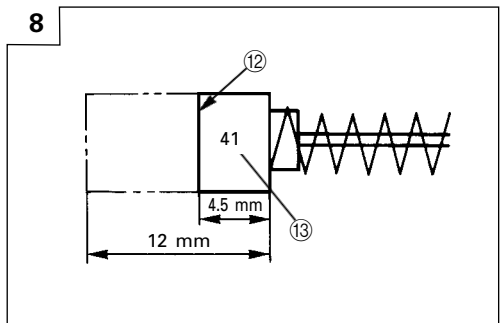
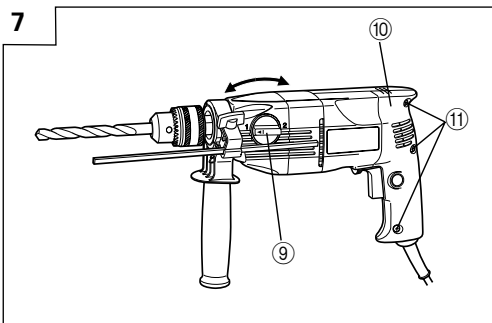
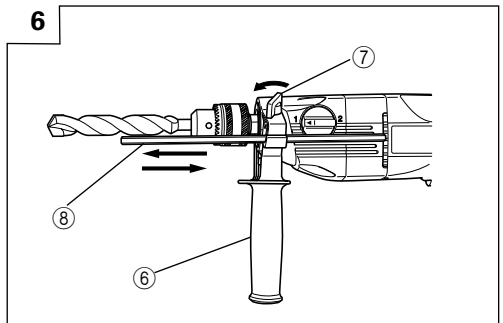
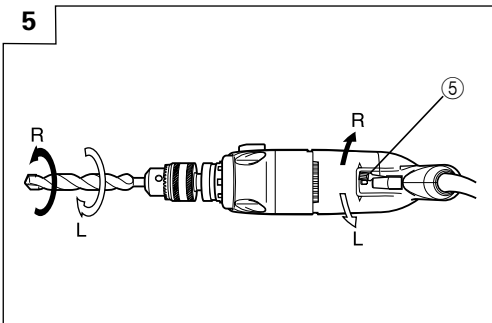
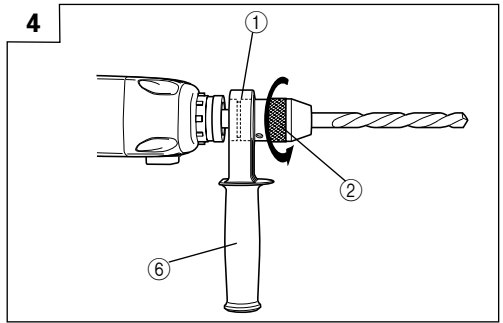
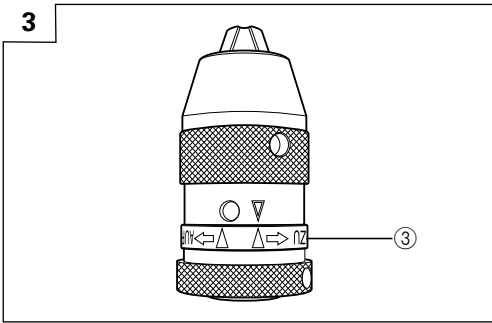
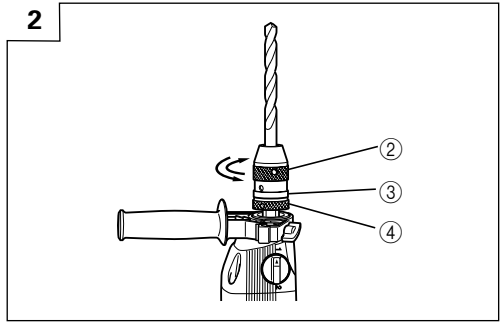
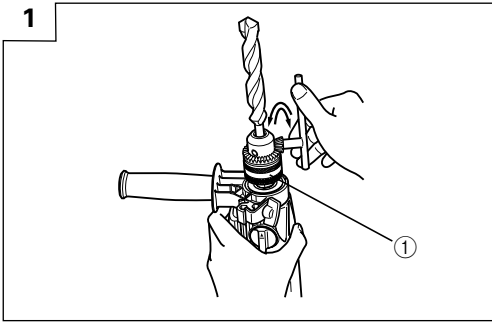


D 13VB2

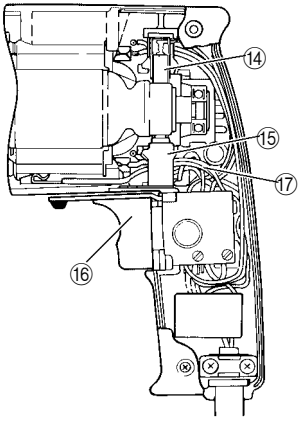
Read through carefully and understand these instructions before use.
Diese Anleitung vor Benutzung des Werkzeugs sorgfältig durchlesen und verstehen.
Lire soigneusement et bien assimiler ces instructions avant usage.
Prima dell'uso leggere attentamente e comprendere queste istruzioni.
Deze gebruiksaanwijzing s.v.p. voor gebruik zorgvuldig doorlezen.
Leer cuidadosamente y comprender estas instrucciones antes del uso.



Handling instructions
Bedienungsanleitung
Mode d'emploi
Istruzioni per l'uso
Gebruiksaanwijzing
Instrucciones de manejo



9



	English	Deutsch	Français
①	Drill chuck with chuck wrench	Bohrfutter mit Futterschlüssel	Mandrin avec clé de serrage
②	Sleeve	Buchse	Manchon
③	Lock collar	Verriegelungsbund	Collier de verrouillage
④	Retaining ring	Haltering	Bague de retenue
⑤	Reversing switch lever	Umkehrschalterhebel	Levier d'inverseur
⑥	Side handle	Seitengriff	Poignée latérale
⑦	Wing bolt	Flügelschraube	Boulon à ailettes
⑧	Depth gauge	Tiefenlehre	Jauge de profondeur
⑨	Gear shift dial	Gangschaltscheibe	Bouton de changement de vitesse
⑩	Handle cover	Handgriffabdeckung	Cache de poignée
⑪	Tapping screw	Gewindeschneidschraube	Vis auto-taraudeuse
⑫	Wear limit	Verschleißgrenze	Limite d'usage
⑬	No. of carbon brush	Nr. de kohlebürste	N° du balai en carbone
⑭	Carbon brush	Kohlebürste	Balai en carbone
⑮	Brush holder	Bürstenhalter	Support du balai
⑯	Switch	Schalter	Interrupteur
⑰	Internal wiring	Interne Verdrahtung	Câblage interne

	Italiano	Nederlands	Español
①	Mandrino trapano con chiave mandrino	Boorkop met boorkopsleutel	Portabrocas con llave
②	Manicotto	Huls	Manguito
③	Collare di blocco	Vergrendelkraag	Collar de bloqueo
④	Anello di trattenimento	Borgring	Anillo de retención
⑤	Leva interruttore di inversione	Achteruit-schakelhendel	Palanca de inversión
⑥	Maniglia laterale	Zijhendel	Asa lateral
⑦	Bullone ad alette	Vleugelbout	Perno de palometa
⑧	Calibro di profondità	Dieptemeter	Calibrador de profundidad
⑨	Regolazione di velocità	Toerentalkiezer	Dial de cambio
⑩	Coperchio maniglia	Hendelafdekking	Cubierta del asa
⑪	Vite filettante	Tapschroef	Tornillo autorroscable
⑫	Limite di usura	Slijtagegrens	Limite de uso
⑬	N. della spazzola di carbone	Nr. van de koolborstel	N° de carbón de contacto
⑭	Spazzola di carbone	Koolborstel	Carbón de contacto
⑮	Porta-spazzola	Borstelhouder	Sujetador de carbón
⑯	Interruttore	Schakelaar	Pulsador
⑰	Fili interni	Interne bedrading	Conducciones internas

GENERAL OPERATIONAL PRECAUTIONS

WARNING! When using electric tools, basic safety precautions should always be followed to reduce the risk of fire, electric shock and personal injury, including the following.

Read all these instructions before operating this product and save these instructions.

For safe operations:

1. Keep work area clean. Cluttered areas and benches invite injuries.
2. Consider work area environment. Do not expose power tools to rain. Do not use power tools in damp or wet locations. Keep work area well lit. Do not use power tools where there is risk to cause fire or explosion.
3. Guard against electric shock. Avoid body contact with earthed or grounded surfaces. (e.g. pipes, radiators, ranges, refrigerators).
4. Keep children away. Do not let visitors touch the tool or extension cord. All visitors should be kept away from work area.
5. Store idle tools. When not in use, tools should be stored in a dry, high or locked up place, out of reach of children.
6. Do not force the tool. It will do the job better and safer at the rate for which it was intended.
7. Use the right tool. Do not force small tools or attachments to do the job of a heavy duty tool. Do not use tools for purposes not intended; for example, do not use circular saw to cut tree limbs or logs.
8. Dress properly. Do not wear loose clothing or jewellery, they can be caught in moving parts. Rubber gloves and non-skid footwear are recommended when working outdoors. Wear protecting hair covering to contain long hair.
9. Use eye protection. Also use face or dust mask if the cutting operation is dusty.
10. Connect dust extraction equipment.
If devices are provided for the connection of dust extraction and collection facilities ensure these are connected and properly used.
11. Do not abuse the cord. Never carry the tool by the cord or yank it to disconnect it from the receptacle. Keep the cord away from heat, oil and sharp edges.
12. Secure work. Use clamps or a vise to hold the work. It is safer than using your hand and it frees both hands to operate tool.
13. Do not overreach. Keep proper footing and balance at all times.
14. Maintain tools with care. Keep cutting tools sharp and clean for better and safer performance. Follow instructions for lubrication and changing accessories. Inspect tool cords periodically and if damaged, have it repaired by authorized service center. Inspect extension cords periodically and replace, if damaged. Keep handles dry, clean, and free from oil and grease.
15. Disconnect tools. When not in use, before servicing, and when changing accessories such as blades, bits and cutters.

16. Remove adjusting keys and wrenches. Form the habit of checking to see that keys and adjusting wrenches are removed from the tool before turning it on.
17. Avoid unintentional starting. Do not carry a plugged-in tool with a finger on the switch. Ensure switch is off when plugging in.
18. Use outdoor extension leads. When tool is used outdoors, use only extension cords intended for outdoor use.
19. Stay alert. Watch what you are doing. Use common sense. Do not operate tool when you are tired.
20. Check damaged parts. Before further use of the tool, a guard or other part that is damaged should be carefully checked to determine that it will operate properly and perform its intended function. Check for alignment of moving parts, free running of moving parts, breakage of parts, mounting and any other conditions that may affect its operation. A guard or other part that is damaged should be properly repaired or replaced by an authorized service center unless otherwise indicated in this handling instructions. Have defective switches replaced by an authorized service center. Do not use the tool if the switch does not turn it on and off.
21. Warning
The use of any accessory or attachment, other than those recommended in this handling instructions, may present a risk of personal injury.
22. Have your tool repaired by a qualified person.
This electric tool is in accordance with the relevant safety requirements. Repairs should only be carried out by qualified persons using original spare parts. Otherwise this may result in considerable danger to the user.

PRECAUTIONS ON USING DRILL

1. Before drilling into walls, ceilings or floors, ensure that there are no concealed power cables inside.

SPECIFICATIONS

Model		D13VB2		D13T2	
Voltage (by areas)*		(110V, 115V, 120V, 127V, 220V, 230V, 240V) √			
Power input		750W*			
Speed change		1	2	1	2
No load speed		0-1100/min	0-2600/min	1100/min	2600/min
Capacity	Steel	13 mm	8 mm	13 mm	8 mm
	Wood	40 mm	25 mm	40 mm	25 mm
Weight (without cord)					
Spec. for chuck fitted with chuck wrench		2.1 kg			
Spec. for keyless chuck		2.3 kg			

*Be sure to check the nameplate on product as it is subject to change by areas.

STANDARD ACCESSORIES

- (1) Chuck Wrench (Spec. only for chuck fitted with chuck wrench)..... 1
 (2) Side Handle..... 1
 (3) Depth Gauge..... 1

Standard accessories are subject to change without notice.

OPTIONAL ACCESSORIES (sold separately)

- Drill Stand (Model D10-DS)

Optional accessories are subject to change without notice.

APPLICATIONS

- Boring holes in metal, wood and plastic.

PRIOR TO OPERATION

- Power source**
Ensure that the power source to be utilized conforms to the power requirements specified on the product nameplate.
- Power switch**
Ensure that the power switch is in the OFF position. If the plug is connected to a receptacle while the power switch is in the ON position, the power tool will start operating immediately, inviting serious accident.
- Extension cord**
When the work area is removed from the power source. Use an extension cord of sufficient thickness and rated capacity. The extension cord should be kept as short as practicable.
- Mounting and dismounting of the bit.**

For Drill chuck with chuck wrench (Fig. 1)

Fit the drill bit into the chuck and use the chuck wrench to secure it, tightening the chuck by each of the three holes in turn.

For keyless chuck (Fig. 2, 3)

- Mounting the bit**
Turn the lock collar in the direction "AUF" and open the chuck. After inserting the drill bit into the chuck as far it will go, turn the lock collar in the "ZU" direction. Grip the retaining ring and close the chuck by turning the sleeve clockwise as viewed from the front.
- Dismounting the bit**
Turn the lock collar in the direction "AUF" to release the chucking force. Grip the retaining ring and open the chuck by turning the sleeve counterclockwise.

NOTE

When the sleeve does not become loose any further, fix the side handle to retaining ring, hold side handle firmly, then turn the sleeve to loosen by hand. (Fig. 4)

5. Selecting the appropriate drill bit

- When boring metal or plastic
Use an ordinary metalworking drill bit.
- When boring wood
Use an ordinary woodworking drill bit. However, when drilling 6.5 mm or smaller holes, use a metalworking drill bit.

6. Confirm the direction of bit rotation (Fig. 5)

The bit rotates clockwise (viewed from the rear side) by pushing the R-side of the reversing switch lever. The L-side of the lever is pushed to turn the bit counterclockwise. (for D13VB2 only)

7. Fixing the side handle (Fig. 6)

Loosen the wing bolt on the side handle, and attach the side handle to the gear cover in a position convenient for drilling. Match the projecting part of the handle to the groove on the gear cover, and firmly tighten the wing bolt. To remove the side handle, loosen the wing bolt and rotate the handle. To attach a depth gauge on the side handle, insert the gauge into the U-shaped groove on the side handle, adjust the position of the depth gauge in accordance with the desired depth of the hole, and firmly tighten the wing bolt.

8. High-speed/Low-speed changeover

To change speed, rotate the gear shift dial as indicated by the arrow in Fig. 7. The numeral "1" engraved on the drill body denotes low speed, the

numeral "2" denotes high speed.

PRACTICAL HANDLING PROCEDURES

1. Speed adjustment and switch operation

- The drill speed can be adjusted from 0 through full speed by regulating the trigger-squeezing force. The more the trigger is squeezed, the faster the drill rotates. When the trigger is squeezed fully, the speed is the maximum. (for D13VB2)
- Pulling the trigger switch and pushing the stopper, keeps the switched-on condition which is convenient for continuous running. When switching off, the stopper can be disconnected by pulling the trigger again.

2. Pressure

Drilling will NOT be accelerated by applying heavy pressure on the drill. Such action will only result in a damaged drill bit, decreased drilling efficiency, and/or shortened service life of the drill.

3. Using a large diameter drill bit

The larger drill bit diameter, the larger reactive force on your arms. Be careful not to lose control of the drill because of this reactive force. To maintain firm control, establish a secure foothold, hold the drill tightly with both hands, and ensure that the drill is perpendicular to the material being drilled.

4. When drilling completely through the material.

When the drill bit bores completely through the material, careless handling often results in a broken drill bit or damage to the drill body itself due to the sudden movement of the drill. Always be alert and ready to release pushing force when drilling through the material.

5. Precaution on Boring

The drill bit may become overheated during operation; however, it is sufficiently operatable. Do not cool the drill bit in water or oil.

6. Caution concerning immediately after use

Immediately after use, while it is still revolving, if the Drill is placed on a location where considerable ground chips and dust have accumulated, dust may occasionally be absorbed into the motor. Always pay attention to this undesirable possibility.

MAINTENANCE AND INSPECTION

1. Inspecting the drill bit

Continued use of a worn and/or damaged drill bit will result in reduced drilling efficiency and may seriously overload the drill motor. Inspect the drill bit frequently and replace it as necessary.

2. Inspecting the mounting screws

Regularly inspect all mounting screws and ensure that they are properly tightened. Should any of the screws be loose, retighten them immediately. Failure to do so could result in serious hazard.

3. Maintenance of the motor

The motor unit winding is the very "heart" of the power tool. Exercise due care to ensure the winding does not become damaged and/or wet with oil or water.

4. Inspecting the carbon brushes (Fig. 8)

The motor employs carbon brushes which are consumable parts. Since an excessively worn carbon brush can result in motor trouble, replace the carbon brushes with new ones having the same carbon brush No. shown in the figure when they become worn to or near the "wear limit". In addition, always keep carbon brushes clean and ensure that they slide freely within the brush holders.

5. Replacing carbon brushes: (Fig. 9)

○ Disassembling:

- (1) Loosen the three screws on the handle cover, and remove the handle cover.
- (2) Lift out the brush holders together with the carbon brushes, while being very careful not to forcibly pull the lead wires within the brush holders.
- (3) Withdraw the brush terminals, and remove the carbon brushes from the brush holders.

○ Reassembling:

- (1) Place new carbon brushes into the brush holders, and connect the brush terminals to the carbon brushes.
- (2) Return the brush holders and other parts to their original positions, as illustrated in Fig. 9.
- (3) Place the lead wires in the specified position. Be very careful not to allow the lead wires to contact the armature or rotating parts of the motor.
- (4) Mount the handle cover, while being careful to ensure it does not pinch the lead wires, and secure it firmly with the three screws.

CAUTION

Should the lead wire be pinched by the handle cover or come in contact with the armature or rotating parts of the motor, a serious danger of electric shock to the operator will be created. Exercise extreme caution in disassembling and reassembling the motor, follow the above procedure exactly. DO NOT attempt to disassemble any parts other than those necessary to effect replacement of the carbon brushes.

NOTE

Due to HITACHI's continuing program of research and development, the specifications herein are subject to change without prior notice.

IMPORTANT

Correct connection of the plug

The wires of the mains lead are coloured in accordance with the following code:

Blue:- Neutral

Brown:- Live

As the colours of the wires in the mains lead of this tool may not correspond with the coloured markings identifying the terminals in your plug proceed as follows:

The wire coloured blue must be connected to the terminal marked with the letter N or coloured black.

The wire coloured brown must be connected to the terminal marked with the letter L or coloured red.

Neither core must be connected to the earth terminal.

NOTE

This requirement is provided according to BRITISH STANDARD 2769: 1984.

Therefore, the letter code and colour code may not be applicable to other markets except United Kingdom.

Information concerning airborne noise and vibration

The measured values were determined according to EN50144.

The typical A-weighted sound pressure level: 100dB (A).
The typical A-weighted sound power level: 113 dB (A).

Wear ear protection.

The typical weighted root mean square acceleration value: 2.5 m/s².

ALLGEMEINE VORSICHTSMASSNAHMEN

WARNUNG! Bei der Verwendung von Elektrowerkzeugen müssen immer die grundlegenden Vorsichtsmaßnahmen befolgt werden, um das Risiko von Feuer, elektrischem Schlag und persönlicher Verletzung und den nachfolgenden Punkten zu vermeiden.

Lesen Sie diese Anweisungen völlig, bevor Sie dieses Erzeugnis verwenden, und bewahren Sie diese Anweisungen auf.

Für sicheren Betrieb:

1. Der Arbeitsplatz sollte sauber gehalten werden. Unaufgeräumte Arbeitsplätze und Werkbänke erhöhen die Unfallgefahr.
2. Die Betriebsbedingungen beachten. Elektrowerkzeuge sollten nicht dem Regen ausgesetzt werden. Ebenfalls sollten Sie nicht an feuchten oder nassen Plätzen gebraucht werden. Der Arbeitsplatz sollte gut beleuchtet sein. Verwenden Sie Elektrowerkzeuge nicht an Orten, an denen die Gefahr von Feuer oder Explosion besteht.
3. Schutzmaßnahmen gegen elektrische Schläge treffen. Darauf achten, daß das Gehäuse nicht in Kontakt mit geerdeten Flächen kommt, z. (z.B. Rohre, Radiatoren, Elektroherde, Kühlschränke).
4. Kinder sollten vom Gerät ferngehalten werden. Vermeiden, daß andere Personen mit dem Werkzeug oder Verlängerungskabel in Kontakt kommen.
5. Nicht benutzte Werkzeuge sollten sicher aufbewahrt werden. Sie sollten an einem trockenen und verschließbaren Ort aufbewahrt werden, damit Kinder sie nicht in die Hände bekommen.
6. Werkzeuge sollten nicht mit übermäßiger Gewalt verwendet werden. Ihre Leistung ist besser und sicherer, wenn sie mit der vorgeschriebenen Geschwindigkeit verwendet werden.
7. Nur die korrekten Werkzeuge verwenden. Niemals ein kleineres Werkzeug oder Zusatzgerät für Arbeiten verwenden, die Hochleistungsgeräte erfordern. Nur Werkzeuge verwenden, die dem Verwendungszweck entsprechen, d.h., niemals eine Kreissäge zum Sägen von Ästen oder Baumstämmen verwenden.
8. Die richtige Kleidung tragen. Keine lose Kleidung oder Schmuck tragen, da sich lose Kleidungsstücke in den bewegenden Teilen verfangen können. Bei Arbeiten im Freien sollten Gummihandschuhe und rutschfeste Schuhe getragen werden.
9. Es sollte eine Sicherheitsbrille getragen werden. Bei Arbeiten mit Staubentwicklung sollte eine Gesichtsmaske getragen werden.
10. Schließen Sie eine Staubabsaugvorrichtung an. Wenn Vorrichtungen für den Anschluß von Staubabsaug- und -sammelvorrichtungen vorhanden sind, so stellen Sie sicher, daß diese angeschlossen sind und richtig verwendet werden.
11. Niemals das Kabel mißbrauchen. Ein Werkzeug niemals am Kabel tragen oder bei Abtrennung von der Steckdose das Kabel herausreißen. Das Kabel sollte gegen Hitze, Öl und scharfe Kanten geschützt werden.
12. Den Arbeitsplatz gut absichern. Zwingen oder einen Schraubstock zur Befestigung des Werkstücks verwenden. Das ist sicherer als die Benutzung der Hände und macht beide Hände zur Bedienung des Werkzeugs frei.
13. Sich niemals weit überbeugen. Immer einen festen Stand und ein sicheres Gleichgewicht bewahren.
14. Die Werkzeuge sollten sorgfältig behandelt werden. Für einen einwandfreien und sicheren Betrieb sollten sie stets scharf sein und saubergehalten

werden. Die Anleitungen für schmierung und Austausch des Zuehört unbeding einhalten. Die Kabel der Geräte regelmäÙig überprüf en und bei Beschädigung durch eine autorisierte Kundendienststelle reparieren lassen. Ebenfalls die Verlängerungskabel regelmäÙig überprüf en und bei Beschädigung auswechseln. Die Handgriffe sollten stets trocken und sauber sein, sowie keine Öl- oder Schmierfett stellen aufweisen.

15. Werkzeuge vom Netz trennen, wenn sie nicht benutzt werden, vor Wartungsarbeiten und beim Austausch von Zubehörteilen wie z.B. Blätter, Bohrer und Messer.
16. Alle Stellkeile und Schraubenschlüssel entfernen. Vor Einschaltung des Gerätes darauf achten, daß alle Stellkeile und Schraubenschlüssel entfernt worden sind.
17. Ein unbeabsichtigtes Einschalten sollte vermieden werden. Niemals ein angeschlossenes Werkzeug mit dem Finger am Schalter tragen. Vor Anschluß überprüf en, ob das Gerät ausgeschaltet ist.
18. Im Freien ein Verlängerungskabel verwenden. Nur ein Verlängerungskabel verwenden, das für die Verwendung im Freien markiert ist.
19. Den Arbeitsvorgang immer unter Kontrolle haben. Das Gerät niemals in einem abgespannten Zustand verwenden.
20. Beschädigte Teile überprüf en. Vor Benutzung des Werkzeugs sollten beschädigte Teile oder Schutzvorrichtungen sorgfältig überprüf t werden, um festzustellen, ob sie einwandfrei funktionieren und die vorgesehene Funktion erfüllen,

Ausrichtung, Verbindungen sowie Anbringung sich bewegender Teile überprüf en. Ebenfalls überprüf en, ob Teile gebrochen sind. Teile oder Schutzvorrichtungen, die beschädigt sind, sollten, wenn in dieser Bedienungsanleitung nichts anderes erwähnt ist, durch eine autorisierte Kundendienststelle ausgetauscht oder repariert werden. Dasselbe gilt für defekte Schalter. Wenn sich das Werkzeug nicht mit dem Schalter einoder ausschalten läÙt, sollte das Werkzeug nicht verwendet werden.

21. Warnung
Die Verwendung von anderem Zubehör oder anderen Zusätzen als in dieser Bedienungsanleitung empfohlen kann das Risiko einer Körperverletzung einschließen.
22. Lassen Sie Ihr Werkzeug durch qualifiziertes Personal reparieren. Dieses Elektrowerkzeug entspricht den zutreffenden Sicherheitsanforderungen. Reparaturen sollten nur von qualifiziertem Personal unter Verwendung von Originalersatzteilen durchgeführt werden, da sonst beträchtliche Gefahr für den Benutzer auftreten kann.

VORSICHTSMASSNAHMEN FÜR DIE BENUTZUNG BOHRMASCHINE

1. Bevor man in Wände, in Decken oder Boden bohrt, muß man sich davon überzeugen, daß keine elektrischen Kabel oder Kabelrohre darunter liegen.

TECHNISCHE DATEN

Modell		D13VB2		D13T2	
Spannung (je nach Gebiet)*		(110V, 115V, 120V, 127V, 220V, 230V, 240V) ~			
Leistungsaufnahme		750W*			
Geschwindigkeitsstufen		1	2	1	2
Leerlaufdrehzahl		0-1100/min	0-2600/min	1100/min	2600/min
Kapazität	Stahl	13 mm	8 mm	13 mm	8 mm
	Holz	40 mm	25 mm	40 mm	25 mm
Gewicht (ohne Kabel)					
Technische Daten für Futter mit Futterschlüssel		2,1 kg			
Technische Daten schlüsselloses Futter		2,3 kg			

*Vergessen Sie nicht, die Produktangaben auf dem Typenschild zu überprüf en, da sich diese je nach Verkaufsgebiet ändern.

STANDARDZUBEHÖR

- (1) Bohrfutterschlüssel (Technische Daten nur für Futter mit Futterschlüssel Bohrer) 1
- (2) Handgriff 1
- (3) Tiefenlehre 1

Das Standardzubehör kann ohne vorherige Bekanntmachung jederzeit geändert werden.

SONDERZUBEHÖR (separat zu beziehen)

- Bohrerstand (Modell D10-DS)
- Das sonderzubehör kann ohne vorherige Bekanntmachung jederzeit geändert werden.

ANWENDUNGEN

- Bohren von Löchern in Metall, Holz und plastisches Material.

VOR INBETRIEBNAHME

1. **Netzspannung**
Prüfen, daß die zu verwendende Netzspannung der Angabe auf dem Typenschild entspricht.
2. **Netzschalter**
Prüfen, daß der Netzschalter auf "AUS" steht. Wenn der Stecker an das Netz angeschlossen ist, Während der Schalter auf "EIN" steht, beginnt das Werkzeug sofort zu laufen und bedeutet ernsthafte Gefahr.

3. Verlängerungskabel

Wenn der Arbeitsbereich nicht in der Nähe des Netzanschlusses liegt, ist ein Verlängerungskabel ausreichenden Querschnitts und ausreichender Nennleistung zu verwenden. Das Verlängerungskabel sollte so kurz wie möglich gehalten werden.

4. Anbringen und Abnehmen der Werkzeugschuppe

Für Bohrfutter mit Futterschlüssel (Abb. 1)

Der Bohrer wird in das Bohrfutter eingesetzt und der Bohrfutterschlüssel zum Festziehen benutzt. Zum Festziehen der Backen wird zweckmäßigerweise der Bohrfutterschlüssel nacheinander in jedes der drei Löcher gesteckt.

Für Schnellspann-Bohrfutter (Abb. 2, 3)

(1) Anbringen des Bohrers

Den Verriegelungsband in Richtung "AUF" drehen und das Futter öffnen. Den Bohrer bis zum Anschlag in das Futter schieben und den Verriegelungsband in Richtung "ZU" drehen. Den Haltering fassen und das Futter durch Drehen der Futterbuchse von vorne gesehen im Uhrzeigersinn schließen.

(2) Entfernen des Bohrers

Den Verriegelungsband in Richtung "AUF" drehen, um die Spannfutterkraft freizugeben. Den Haltering fassen und das Futter durch Drehen der Futterbuchse gegen den Uhrzeigersinn öffnen.

HINWEIS:

Wenn sich die Buchse nicht weiter lockern läßt, so fixieren Sie den Seitengriff am Haltering, halten Sie den Seitengriff fest, und drehen Sie dann die Buchse, um sie von Hand zu lösen. (Abb. 4)

5. Wahl des geeigneten Bohrers

- Beim Bohren von Metall oder Kunststoff
Einen normalen Metallbohrer verwenden.
- Beim Bohren von Holz
Einen normalen Holzspiralbohrer verwenden. Für Löcher von 6,5 mm oder kleiner wird ein Metallbohrer verwendet.

6. Die Drehrichtung der Bohrerspitze prüfen (Abb. 5)

Die Bohrerspitze dreht sich nach rechts (von der Hinterseite gesehen), wenn auf die R-Seite des Wendeschalterhebels gedrückt wird. Um die Bohrerspitze nach links zu drehen auf die L-Seite des Hebels drücken. (Nur für D13VB2)

7. Anbringen des Handgriffes (Abb. 6)

Der Knopf des Handgriffs wird losgedreht und der Griff am Gehäuse in einer für das Bohren geeigneten Stellung befestigt. Der Vorsprung des Griffs wird auf die Rille des Gehäuses ausgerichtet und die Flügelschraube fest angezogen. Zum abnehmen des Griffs wird Der Knopf losgedreht und der Handgriff gedreht. Zum Anbringen des Tiefenanschlags am Handgriff wird die Anschlagstan in die U-förmige Rille des Handgriffs eingesetzt, der Tiefenanschlag auf die gewünschte Tiefe des Lochs eingestellt und Der Knopf fest angezogen.

8. Umschalten von hoher Drehzahl auf niedriger Drehzahl

Die Gangschaltschiebe drehen. Zum Umschalten wird der Umschaltfesteller eingedrückt und die gewünschte Richtung geschoben, wie in Abb. 7 durch den Pfeil angegeben ist. Die auf dem Gehäuse eingeprägte Ziffer "1" bedeutet niedrige Drehzahl, die Ziffer "2" bedeutet hohe Drehzahl.

PRAKTISCHE ARBELISWEISE

1. Geschwindigkeitseinstellung und Schalterbetrieb

- Der Bohrer kann von 0 bis Hochgeschwindigkeit, durch zweckmäßiges Regeln der Trigger-Druckkraft eingestellt werden. Je mehr der Trigger gedrückt wird, je schneller dreht sich der Bohrer. In vollgedrückter Lage, steht die Geschwindigkeit auf Höchstgeschwindigkeit. (Für D13VB2)
- Den Trigger ziehen und den Halter drücken; dadurch bleibt das Werkzeug eingeschaltet, was bei Dauerbetrieb notwendig ist. Beim Abschalten kann der Halter durch nochmaliges Ziehen des Triggers gelöst werden.

2. Druck

Das Bohren wird nicht durch Ausübung eines starken Drucks auf den Bohrer beschleunigt. Zusätzlicher Druck führt nur zu einem beschädigten Bohrer, vermindert der Bohrleistung und/oder verkürzter Lebensdauer der Bohrmaschine.

3. Verwendung eines Bohrers mit großem Durchmesser

Je größer der Bohrerdurchmesser um so stärker ist die auf den Arm rückwirkende Kraft. Man muß darauf achten, daß man aufgrund dieser rückwirkenden Kraft nicht die Kontrolle über die Bohrmaschine verliert. Für eine gute Kontrolle ist ein sicherer Stand erforderlich, man muß die Bohrmaschine mit beiden Händen festhalten und dafür sorgen, daß die Bohrmaschine senkrecht zum Material steht, in das gebohrt wird.

4. Beim Durchbohren durch das Material

Wenn der Bohrer ganz durch das Material bohrt, führt eine unachtsame Handhabung oft zu einem abgebrochenen Bohrer oder einer Beschädigung des Bohrgehäuses selbst aufgrund der plötzlichen Bewegung der Bohrmaschine. Man muß immer darauf gefaßt und bereit sein, den Druck beim Durchbohren des Materials zu verringern.

5. Vorsichtsmaßnahmen beim Bohren

Der Bohrer kann während des Betriebs überhitzt werden, er ist jedoch noch hinreichend funktionsfähig. Den Bohrer nicht in Wasser oder Öl kühlen.

6. Vorsichtsmaßnahmen unmittelbar nach der Benutzung

Unmittelbar nach der Benutzung kann, wenn sich die Bohrmaschine noch dreht und an eine Stelle gelegt wird, wo sich erhebliche Mengen Bohrspäne und Staub angesammelt haben, Staub in die Bohrmechanismus gesaugt werden. Auf diese unerwünschte Möglichkeit ist immer zu achten.

WARTUNG UND INSPEKTION

1. Nachprüfen der Bohrerspitze

Dauergebrauch einer verbrauchten und/oder beschädigten Bohrerspitze wird die Bohrerleistung vermindern und mag den Bohrer motor schwer überlasten. Daher den Zustand der Bohrerspitze oft nachprüfen und sobald wie notwendig wechseln.

2. Inspektion der Befestigungsschraube

Alle Befestigungsschrauben werden regelmäßig inspiziert und geprüft, daß sie richtig angezogen

sind. Wenn sich eine der Schrauben lockert, muß sie sofort wieder angezogen werden. Geschieht das nicht, kann das zu erheblicher Gefahr führen.

3. Wartung des Motors

Die Motorwicklung ist das "Herz" des Elektrowerkzeugs. Daher ist besonders sorgfältig darauf zu achten, daß die Wicklung nicht beschädigt und/oder mit Öl oder Wasser benetzt wird.

4. Nachprüfen der Kohlebürsten (Abb. 8)

Der Motor ist mit Kohlebürsten, die Verbrauchsteile sind, ausgestattet. Da übermäßig abgenutzte Kohlebürsten Motorstörungen verursachen können, die Kohlebürsten durch neue Bürsten der gleichen Nummer wie in der Abbildung gezeigt ersetzen, wenn Verschleiß bis zur "Verschleißgrenze" oder nahe daran festgestellt wird. Außerdem die Kohlebürsten immer sauber halten und sicherstellen, daß sie glatt in den Bürstenhaltern gleiten.

5. Austausch einer Kohlebürste: (Abb. 9)

○ Zerlegen:

- (1) Die drei Schrauben am Gehäusedeckel werden gelöst und der Gehäusedeckel entfernt.
- (2) Der Bürstenhalter wird zusammen mit der Kohlebürste herausgenommen, wobei sorgfältig darauf zu achten ist, nicht mit Gewalt an den Kabeln im Bürstenhalter zu ziehen.
- (3) Die Klemme der Bürste wird abgezogen und die Kohlebürste aus dem Bürstenhalter herausgenommen.

○ Einbau:

- (1) Die neue Kohlebürste wird in den Bürstenhalter eingesetzt und die Klemme an der Kohlebürste angeschlossen.
- (2) Den Bürstenhalter und die übrigen wie in **Abb. 9** gezeigt wieder an ihren ursprünglichen Positionen anbringen.
- (3) Das Kabel wird in die vorgeschriebene Position gebracht. Es ist sorgfältig darauf zu achten, daß das Kabel nicht mit der Armatur oder sich drehenden Teilen des Motors in Berührung kommt.
- (4) Der Gehäusedeckel wird wieder aufgesetzt, wobei zu beachten ist, daß kein Kabel eingeklemmt wird. Der Deckel wird wieder mit den drei Schrauben befestigt.

ACHTUNG

Wenn ein Kabel durch in den Gehäusedeckel eingeklemmt wird oder mit der Armatur oder sich drehenden Teilen des Motors in Berührung kommt, besteht erhebliche Gefahr eines elektrischen Schlages für den Benutzer. Beim Zerlegen und Zusammenbauen des Motors ist unter genauer Einhaltung der vorgeschriebenen Arbeitsweise äußerste Sorgfalt anzuwenden. Man sollte nicht versuchen, irgendwelche Teile auseinanderzunehmen, soweit das nicht für den Austausch der Kohlebürste erforderlich ist.

Information über Betriebslärm und Vibration

Die Meßwerte wurden entsprechend EN50144 bestimmt.

Der typische A-gewichtete Schalldruck ist 100dB (A).
Der typische A-gewichtete Schalleistungspegel ist 113dB (A).

Bei der Arbeit immer einen Ohrenschutz tragen.

Der typische gewichtete Effektiv-Beschleunigungswert überschreitet 2,5m/s².

ANMERKUNG

Aufgrund des ständigen Forschungs- und Entwicklungsprogramms von HITACHI sind Änderungen der hierin gemachten technischen Angaben vorbehalten.

PRECAUTIONS GENERALES DE TRAVAIL

ATTENTION! Lors de l'utilisation d'un outillage électrique, les précautions de base doivent être respectées de manière à réduire les risques d'incendie, de secousse électrique et de blessure corporelle, y compris les précautions suivantes.

Lire ces instructions avant d'utiliser le produit et conserver ces instructions pour référence.

Pour assurer un fonctionnement sûr:

1. Maintenir l'aire de travail propre. Des ateliers ou des établis en désordre risquent de provoquer des accidents.
2. Tenir compte de l'environnement de l'aire de travail. Ne pas exposer les outils électriques à la pluie. Ne pas les utiliser dans des endroits humides. Travailler dans un endroit bien éclairé. Ne pas utiliser d'outillage électrique s'il existe un risque d'incendie ou d'explosion.
3. Protection contre une décharge électrique. Eviter tout contact corporel avec des surfaces de mise à la terre telles que les tuyaux, radiateurs, cuisinières et réfrigérateurs.
4. Tenir les enfants éloignés. Ne pas laisser les visiteurs toucher l'outil ou son cordon d'alimentation. Il est préférable de tenir les visiteurs à l'écart de l'aire de travail.
5. Ranger les outils non utilisés. Quand on ne les utilise pas, il est recommandé de ranger les outils dans un endroit sec, verrouillé ou hors de portée des enfants.
6. Ne pas forcer l'outil. Il fonctionnera mieux et plus sûrement à la vitesse pour laquelle il a été conçu.
7. Utiliser l'outil approprié. Ne pas essayer de faire avec un petit outil le travail prévu pour un outil plus important. Toujours utiliser l'outil adéquat; par exemple, ne pas se servir d'une scie circulaire pour couper des branches d'arbres ou des billots de bois.
8. Porter des vêtements appropriés. Ne pas mettre de vêtements flottants ou de bijoux qui risquent d'être pris dans les pièces mobiles. Si l'on travaille à l'extérieur, il est recommandé de porter des gants de caoutchouc et des chaussures à semelles antidérapantes. Veiller à s'attacher les cheveux ou à mettre un bonnet si on a les cheveux longs.
9. Porter des lunettes protectrices. Mettre un masque si l'opération de coupe crée de la poussière.
10. Relier l'équipement d'extraction de poussière. Si des dispositifs sont prévus pour le raccordement d'installations d'extraction et de collection de poussière, s'assurer qu'ils sont correctement raccordés et utilisés.
11. Prendre soin du fil. Ne jamais transporter l'outil en le tenant par le fil et ne pas le débrancher en tirant sur le fil d'un coup sec. Tenir le fil à l'abri de la chaleur, l'éloigner de l'huile ou de bords tranchants.
12. Fixer fermement la pièce à travailler. Utiliser des agrafes ou un étau pour la maintenir, C'est plus sûr que d'utiliser ses mains et cela est libère pour faire fonctionner l'outil.
13. Ne pas présumer de ses forces. Essayer de garder son équilibre en toute circonstance.
14. Entretien des outils avec soin. Les conserver bien aiguisés et les nettoyer afin d'en obtenir les

meilleures performances et de pouvoir les utiliser sans danger. Suivre les instructions pour le graissage et le changement des accessoires. Vérifier régulièrement les fils et cordons et s'ils sont endommagés, les faire réparer par une personne compétente. Vérifier régulièrement les rallonges et les remplacer si elles sont endommagées. Veiller à ce que les poignées soient toujours sèches et propres, sans huile ni graisse.

15. Débrancher les outils lorsqu'on ne les utilise pas, avant toute opération d'entretien et lors du changement d'accessoire; comme par exemple quand on change les lames, les forets, le fraises, etc.
16. Retirer les clés de réglage. Prendre l'habitude de toujours vérifier que les clés de réglage sont bien retirées de l'appareil avant de le mettre en marche.
17. Eviter toute mise en marche accidentelle. Ne pas transporter l'outil branché avec un doigt sur l'interrupteur. S'assurer que l'interrupteur est sur la position d'arrêt quand on branche l'outil.
18. Utilisation de rallonges à l'extérieur. Quand on utilise l'outil à l'extérieur, ne se servir que des rallonges prévues pour l'extérieur et portant une marque distinctive.
19. Soyez vigilant. Regardez bien ce que vous faites. Faites appel à votre bon sens. N'utilisez pas l'outil quand vous êtes fatigué.
20. Vérifier les pièces endommagées. Avant d'utiliser davantage l'outil, vérifier attentivement toute pièce endommagée afin de déterminer si l'outil peut fonctionner correctement et effectuer le travail pour lequel il est prévu. Vérifier l'alignement et la flexion des pièces mobiles, la cassure des pièces, le montage et toute autre condition risquant d'affecter le bon fonctionnement de l'outil. Un protecteur ou toute autre pièce endommagée devra être correctement réparé ou remplacé par un service d'entretien autorisé, sauf autre indication dans ce mode d'emploi. Faire remplacer les interrupteurs défectueux par un service d'entretien autorisé. Ne pas utiliser l'outil si l'interrupteur ne permet pas de le mettre en marche ou de l'arrêter.
21. Précaution
L'utilisation d'un accessoire ou dispositif annexe autre que ceux conseillés dans ce mode d'emploi peut entraîner un risque de blessure corporelle.
22. Confier la réparation d'un outil à un technicien qualifié. Cet outil électrique a été conçu conformément aux règles de sécurité en usage. Les réparations doivent être effectuées par du personnel qualifié utilisant des pièces d'origine. Dans le cas contraire, l'utilisateur s'expose à des risques graves.

PRECAUTIONS POUR L'UTILISATION DE LA PERCEUSE

1. Avant de percer dans un mur, un plancher ou un plafond, s'assurer bien qu'ils ne renferment ni câbles ni lignes électriques.

SPECIFICATIONS

Modèle		D13VB2		D13T2	
Tension (per sone)*		(110V, 115V, 120V, 127V, 220V, 230V, 240V)			
Puissance		750W*			
Changement de vitesse		1	2	1	2
Vitesse sans charge		0-1100/min	0-2600/min	1100/min	2600/min
Capacité	Acier	13 mm	8 mm	13 mm	8 mm
	Bois	40 mm	25 mm	40 mm	25 mm
Poids (sans fil)					
Spéc. pour mandrin avec clé de serrage		2,1 kg			
Spéc. pour mandrin sans clé		2,3 kg			

* Assurez-vous de vérifier la plaque signalétique sur le produit qui peut changer suivant les régions.

ACCESSOIRES STANDARDS

- (1) Clef pour mandrin (Spéc. uniquement pour mandrin avec clé de serrage) 1
 (2) Poignée latérale 1
 (3) Jauge de profondeur 1

Les accessoires standards sont sujettes à changement sans préavis.

ACCESSOIRES EN OPTION (vendus séparément)

- Socle de perceuse (modèle D10-DS)
 Les accessoires à option sont sujettes à changement sans préavis.

APPLICATIONS

- Perçage de trous dans métal, bois et matières plastiques.

AVANT LA MISE EN MARCHÉ

1. Source de puissance

S'assurer que la source de puissance à utiliser correspond à la puissance indiquée sur la plaque signalétique du produit.

2. Interrupteur de puissance

S'assurer que l'interrupteur de puissance est en position ARRET. Si la fiche est branchée alors que l'interrupteur est sur MARCHE, l'outil démarre immédiatement et peut provoquer un grave accident.

3. Fil de rallonge

Lorsque la zone de travail est éloignée de la source de puissance, utiliser un fil de rallonge d'une épaisseur suffisante et d'une capacité nominale suffisante. Le fil de rallonge doit être aussi court que possible.

4. Montage et démontage des forets.

Pour la mandrin porte-foret avec clé à mandrin (Fig. 1)
 Fixer le foret de perçage dans le mandrin et utiliser

la clef à mandrin pour le serrer, en serrant le mandrin par ses trois trous.

Pour mandrin sans clé (Fig. 2, 3)

(1) Installation du foret

Tourner le collier de verrouillage dans le sens de "AUF" et ouvrir le mandrin. Après avoir inséré le foret au maximum dans le mandrin, tourner le collier de verrouillage dans le sens de "ZU". Saisir la bague de retenue et fermer le mandrin en tournant le manchon vers la droite, l'outil étant vu de l'avant.

(2) Retrait du foret

Tourner le collier de verrouillage dans le sens de "AUF" pour libérer la force de serrage. Saisir la bague de retenue et ouvrir le mandrin en tournant le manchon vers la gauche.

NOTE

Lorsque le manchon ne se relâche plus, fixer la poignée latérale à la bague de retenue, tenir la poignée latérale fermement, puis tourner le manchon pour le desserrer manuellement (Fig. 4).

5. Choix du foret de perçage correct

- Pour perçage dans métal ou plastique
 Utiliser un foret de perçage ordinaire pour métal.
- Pour perçage dans bois

Utiliser un foret de perçage ordinaire pour bois. Toutefois, pour percer des trous de 6,5 mm ou plus petits, utiliser un foret de perçage pour métal.

6. Vérifiez la direction de rotation de la mèche (Fig. 5)

La mèche tourne dans le sens horaire (vu de l'arrière) quand on appuie sur côté-R du levier de contact. En appuyant sur côté-L du levier la mèche tourne dans le sens anti-horaire. (Pour D13VB2 uniquement)

7. Fixation de la poignée latérale (Fig. 6)

Desserrer le boulon à oreilles sur la poignée latérale et attacher la poignée latérale au boîtier de l'engrenage dans une position propre au perçage. Faire coïncider la partie dépassant de la poignée avec la rainure sur le boîtier de l'engrenage, et resserrer le boulon à oreilles à fond.

Pour retirer la poignée latérale, desserrer le boulon à oreilles et faire tourner la poignée.

Pour attacher un témoin de profondeur sur la poignée latérale, introduire le témoin dans la rainure

en U sur la poignée latérale, régler la position du témoin en fonction de la profondeur souhaitée pour le trou, et resserrer le boulon à oreilles à fond.

8. Commutation grande vitesse/faible vitesse

Pour changer de vitesse, faire tourner le bouton de changement de vitesse comme indiqué par la flèche sur la Fig. 7. Le numéro "1" gravé sur le corps de la perceuse indique la vitesse faible, le numéro "2" indique la grande vitesse.

FONCTIONNEMENT

1. Réglage de vitesse et manivellation de l'interrupteur

- Le vitesse de la perceuse peut être réglée de 0 à vitesse maximale, en réglant la force de pression du trigger. Plus on presse le trigger, plus la perceuse tourne rapidement. Quand le trigger est pressé à fond, la vitesse est maximale. (Pour D13VB2)
- Tirez l'interrupteur-trigger et poussez l'arrêt; ceci maintient l'interrupteur en position de marche quand un fonctionnement continu est requis. Lors de la mise en arrêt, l'arrêt peut être relâché en tirant à nouveau le trigger.

2. Pression

Le perçage n'est pas accéléré si on applique une pression forte à la perceuse. Ceci ne peut qu'abîmer le foret de perçage, diminuer l'efficacité de perçage, et/ou réduire la durée de vie de la perceuse.

3. Utilisation d'un foret de large diamètre

Plus le diamètre du foret est grand, plus la force de réaction sur votre bras est grande. Attention de ne pas perdre le contrôle de la perceuse à cause de cette force de réaction. Pour avoir la perceuse bien en main, se tenir bien d'aplomb, tenir la perceuse fermement à deux mains, et s'assurer que la perceuse est perpendiculaire au matériau en cours de perçage.

4. Le matériau est entièrement percé

Lorsque le foret perce complètement le matériau, un maniement négligent conduit souvent à la rupture du foret ou à la détérioration du corps même de la perceuse. Soyez toujours sur vos gardes et soyez prêts à relâcher la force de pression lorsque le matériau est percé en entier.

5. Précautions lors du perçage

Le foret de perçage peut s'échauffer lors du fonctionnement: il peut toutefois fonctionner. Ne pas le refroidir avec eau ou huile.

6. Précaution à prendre aussitôt après usage

Si, aussitôt après usage, le foret qui tourne encore est placé sur un endroit où sont accumulés copeaux et poussière, la poussière peut être absorbée par le mécanisme de perçage.

Toujours prévoir cette possibilité peu souhaitable.

2. Contrôle du foret de perçage et du taraud

Comme l'utilisation continue d'un foret ou taraud usé réduirait l'efficacité de fonctionnement et provoquerait un surchage du moteur, remplacer ou aiguïser le foret ou le taraud sans retard lorsque des traces d'usure excessive apparaissent.

3. Entretien du moteur

Le bobinage de l'ensemble moteur est le "cœur" même de l'outil électro-portatif. Veiller soigneusement à ce que ce bobinage ne soit pas endommagé et/ou mouillé par de l'huile ou de l'eau.

4. Vérification des balais de charbon (Fig. 8)

Le moteur est équipé de balais de charbon qui sont des pièces de consommation. Etant donné que des balais de charbon usés à la limite peuvent provoquer une anomalie de fonctionnement du moteur, remplacez les par des nouveaux du même numéro que celui indiqué à la figure dès qu'ils sont usés à la limite ou près de la "limite d'usure". En outre, maintenez toujours les balais de charbon à l'état propre et assurez vous qu'ils glissent librement l'intérieur des portebalais.

5. Remplacement d'un balai en carbone: (Fig. 9)

○ Démontage:

- (1) Desserrer les trois vis sur la protection de la poignée et ôter cette protection.
- (2) Sortir le support balai avec le balai en carbone, tout en faisant très attention de ne pas tirer sur les fils électriques à l'intérieur du support.
- (3) Retirer la broche du balai et ôter le balai en carbone du support.

○ Remontage:

- (1) Placer un nouveau balai dans le support, et relier la borne du balai au balai en carbone.
- (2) Remettre les supports de balai et autres pièces en place, suivant la Fig. 9.
- (3) Placer le fil électrique dans la position spécifiée. Attention à ce que le fil n'entre pas en contact avec l'armature ou les pièces rotatives du moteur.
- (4) Replacer la protection de la poignée en faisant bien attention de ne pas coincer le fil électrique et fixer la protection avec les trois vis.

ATTENTION

Si le fil électrique devait être pris dans la protection de la poignée ou entrer en contact avec l'armature ou les pièces rotative du moteur, il y a danger sérieux de choc électrique pour l'opérateur. Faire très attention en démontant et remontant le moteur en suivant exactement les instructions ci-dessous. NE PAS essayer de démonter d'autres pièces que celles nécessaires pour effectuer le remplacement du balai en carbone.

NOTA

Par suite du programme permanent de recherche et de développement HITACHI, ces spécifications peuvent faire l'objet de modifications sans avis préalable.

ENTRETIEN ET CONTROLE

1. Vérification de la mèche

L'utilisation continue d'une mèche usée et ou endommagée réduira l'efficacité de perçage et peut gravement surcharger le moteur de la perceuse. Vérifiez fréquemment la mèche et remplacez la dès que nécessaire.

Au sujet du bruit et des vibrations

Les valeurs mesurées ont été déterminées en fonction de la norme EN50144.

Le niveau de pression acoustique pondéré A type est de 100 dB (A).

Le niveau de puissance sonore pondérée A type est de 113 dB (A).

Porter un casque de protection.

L'accélération quadratique pondérée typique n'excède pas 2,5 m/s².

PRECAUZIONI GENERALI**ATTENZIONE!**

Quando si usano elettrodomestici, bisogna sempre seguire le precauzioni basilari di sicurezza per ridurre il rischio di incendi, scosse elettriche e lesioni alle persone, tra cui quanto segue.

Leggere tutte queste istruzioni prima di usare questo prodotto e conservare le istruzioni.

Per un funzionamento sicuro:

1. Mantenere sempre pulita l'area dove si lavora. Un'area di lavoro sempre pulita aiuta ad evitare incidenti.
2. Tenere nella dovuta considerazione le condizioni dell'ambiente di lavoro. Non esporre gli elettrodomestici alla pioggia. Non usare gli elettrodomestici in luoghi molto umidi o bagnati. Mantenere ben illuminata l'area di lavoro. Non usare elettrodomestici dove ci sia il rischio di causare incendi o esplosioni.
3. Fare attenzione alle scosse elettriche. Evitare il contatto del corpo con superfici collegate a terra (p.es. tubi, caloriferi, fornelli, frigoriferi)
4. Tenere lontano i bambini. Non permettere che persone estranee ai lavori tocchino gli elettrodomestici o i cavi della corrente elettrica. Le persone non addette al lavoro non dovrebbero nemmeno avvicinarsi.
5. Riporre gli elettrodomestici non usati in luogo adatto. Quando non utilizzati, gli elettrodomestici vanno tenuti in un luogo asciutto, chiusi a chiave o in alto, fuori dalla portata dei bambini.
6. Non forzare mai gli elettrodomestici. Qualsiasi lavoro viene eseguito meglio e più velocemente alla velocità per la quale l'elettrodomestico è stato formulato.
7. Scegliere sempre l'utensile elettrico adatto. Non forzare un piccolo elettrodomestico o un accessorio a fare un lavoro di un utensile o accessorio più grande. Non usare gli elettrodomestici per dei lavori per i quali non sono stati formulati (non usare, per esempio, una sega circolare per tagliare grossi tronchi).
8. Vestirsi in modo adatto. Non portare abiti larghi o gioielli, che potrebbero impigliarsi nelle parti in movimento degli elettrodomestici. Lavorando all'esterno, si raccomanda l'uso di guanti di gomma e di scarpe antiscivolo. Chi porta capelli lunghi dovrebbe utilizzare un'apposita cuffia protettiva.
9. Usare occhiali protettivi. Eseguendo dei lavori di taglio che producono molta polvere, usare anche una mascherina antipolvere.
10. Collegare apparecchiature di rimozione della polvere. Se sono forniti dispositivi per il collegamento di apparecchiature di rimozione e raccolta della polvere, assicurarsi che siano collegati e usati correttamente.
11. Non maltrattare il cavo della corrente elettrica. Non trasportare gli elettrodomestici prendendoli per il cavo della corrente e non scollegarli dalla presa in tal modo. Tenere il cavo della corrente lontano dal calore, olio ed oggetti taglienti.
12. Lavorare su oggetti fermi. Fissare saldamente l'oggetto in una morsa. È più sicuro che non tenendolo fermo con le mani, che restano libere per maneggiare l'elettrodomestico.
13. Non squilibrare il corpo durante l'esecuzione di un lavoro. Stare sempre su due piedi, in equilibrio stabile.
14. Trattare gli utensili elettrici con cura. Tenerli sempre puliti ed affilati per un funzionamento migliore e più sicuro. Seguire le istruzioni date per la lubrificazione e la sostituzione degli accessori.

Controllare periodicamente le condizioni del cavo della corrente. Se dovesse essere rovinato, farlo sostituire presso un Centro Assistenza. Non usare cavi di prolungamento rovinati. Mantenere le impugnature sempre pulite, libere soprattutto da olio e grasso.

15. Quando non si usa, prima di eseguire una qualsiasi operazione di manutenzione e prima di intraprendere qualsiasi sostituzione di accessori (lama, punte, ecc.), scollegare sempre l'elettrotensile.
16. Togliere sempre le chiavi di regolazione dall'attrezzo. E'buona abitudine controllare sistematicamente che nessuna chiave di regolazione sia più attaccata all'elettrotensile, prima di metterlo in funzione.
17. Evitare che l'elettrotensile possa inavvertitamente essere messo in funzione. Non trasportare gli elettrotensili mantenendo il dito sull'interruttore, mentre sono collegati alla rete. Prima di collegarli, controllare che l'interruttore sia in posizione di spento.
18. Fare uso di cavi di prolungamento per esterni. In questo caso, controllare che il cavo sia adatto per l'uso all'esterno.
19. Stare sempre attenti. Guardare sempre nel punto in cui si esegue il lavoro. Non usare utensili elettrici se si è stanchi.
20. Controllare qualsiasi parte che sembra danneggiata. Prima di riprendere l'uso degli elettrotensili, controllare attentamente che la parte

apparentemente danneggiata possa ancora essere usata in modo da assolvere la sua funzione. Controllare che le parti mobili siano nella loro posizione corretta, che nessun pezzo sia rotto, che tutti i pezzi siano montati correttamente, e controllare altri punti importanti per il funzionamento dell' utensile elettrico. Qualsiasi pezzo danneggiato deve essere riparato o sostituito da un Centro Assistenza autorizzato, a meno che dettagliate istruzioni in proposito siano date nel presente manuale.

- Non usare l'elettrotensile se non può e acceso o spento per mezzo del suo interruttore.
21. **Attenzione**
L'uso di qualsiasi accessorio o attacco diverso da quelli citati nel presente manuale di istruzioni può presentare il rischio di lesioni alle persone.
 22. Far riparare l'elettrotensile da personale qualificato. Questo elettrotensile è in conformità con le relative norme di sicurezza. Le riparazioni devono essere eseguite solo da personale qualificato usando ricambi originali, altrimenti ne possono derivare considerevoli rischi per l'utilizzatore.

PRECAUZIONI PER L'USO DEL TRAPANO

1. Prima di praticare fori nei muri, soffitti o pavimenti, assicurarsi che non ci siano, nacistial'interno, cavi elettrici.

CARATTERISTICHE

Modell		D13VB2		D13T2	
Voltaggio (per zona)*		(110V, 115V, 120V, 127V, 220V, 230V, 240V) ~			
Potenza assorbita		750W*			
Cambio di velocità		1	2	1	2
Velocità senza cario		0-1100/min	0-2600/min	1100/min	2600/min
Capacità mandrino	Acciaio	13 mm	8 mm	13 mm	8 mm
	Legno	40 mm	25 mm	40 mm	25 mm
Peso (senza il cavo)					
Spec. per mandrino dotato di chiave mandrino		2,1 kg			
Spec. per mandrino senza chiave		2,3 kg			

*Accertatevi di aver controllato bene la piastrina perchè essa varia de zona a zona.

ACCESSORI STANDARD

- (1) Chiave per mandrino (Spec. solo per mandrino dotato di chiave mandrino) 1
- (2) Impugnatura laterale 1
- (3) Calibro di profondità 1

Gli accessori standard possono essere cambiarnn to senza preavviso.

ACCESSORI DISPONIBILI A RICHIESTA (venduti separatamente)

- Sostegno trapano (Modello D10-DS)
- Gli accessori dispónibili a richiesta possono essere cambiamento senza preavviso.

IMPIEGHI

- Per l'esecuzione di fori nel metallo, legno e plastica.

PRIMA DELL'USO

1. **Alimentazione**
Assicurarsi che la rete di alimentazione che si vuole usare sia compatibile con le caratteristiche relative all'alimentazione di corrente specificate nella piastrina dell'apparecchio.
2. **Interruttore di dorrente**
Mettere l'interruttore in posizione OFF. Se la spina è infilata in una presa mentre l'interruttore è acceso, l'utinsile elettrico si mette immediatamente in moto, facilitando il verificarsi di incidenti gravi.

3. Prolunga del cavo

Quando l'ambiente di lavoro è lontano da una presa di corrente, usare una prolunga del cavo di sufficiente spessore e di prestazione adeguata. La prolunga deve essere più corta possibile.

4. Installazione e rimozione delle punte.

Per mandrino trapano con chiave mandrino (Fig. 1)

Mettere la punta nel mandrino e usare la chiave per mandrino per fissare la punta, serrando il mandrino in ognuno dei tre fori, uno dopo l'altro.

Per mandrino senza chiave (Fig. 2, 3)

(1) Montaggio della punta

Girare il collare di blocco in direzione "AUF" e aprire il mandrino. Dopo aver inserito la punta trapano nel mandrino il più possibile, girare il collare di blocco nella direzione "ZU". Afferrare l'anello di trattenimento e chiudere il mandrino girando il manicotto in senso orario visto dal davanti.

(2) Smontaggio della punta

Girare il collare di blocco in direzione "AUF" per rilasciare la forza di bloccaggio. Afferrare l'anello di trattenimento e aprire il mandrino girando il manicotto in senso antiorario.

NOTA

Quando il manicotto non si allenta ulteriormente, fissare la maniglia laterale all'anello di trattenimento, tenere saldamente la maniglia laterale e quindi girare il manicotto per allentarlo a mano (Fig. 4).

5. Scelta della punta appropriata

- Quando si fora metallo o plastica
Usare una punta normale de metallo.
- Quando si fora il legno
Usare una punta normale da legno. Tuttavia, quando si fanno fori da 6,5 mm o inferiori, usare una punta da metallo.

6. Accertare la direzione della rotazione della punta (Fig. 5)

La punta gira in senso orario (come visto dal retro) se si preme la parte di destra (R) della leva di commutazione.

Per far girare la punta in senso antiorario premere la leva verso sinistra (parte L). (Solo per D13VB2)

7. Fissaggio dell'impugnatura laterale (Fig. 6)

Allentare il bullone a testa rotonda sulla impugnatura laterale e fissare l'impugnatura laterale al coperchio dell'ingranaggio in una posizione comoda per la perforazione. Far corrispondere la parte in rilievo dell'impugnatura con la scanalatura nel coperchio degli ingranaggi e stringere a fondo il bullone testa rotonda.

Per togliere l'impugnatura laterale, allentare il bullone a testa rotonda e ruotare l'impugnatura. Per fissare un calibro di profondità all'impugnatura laterale, infilare il calibro nella scanalatura a forma di U posta sulla impugnatura laterale, regolare la posizione del calibro di profondità del foro che si desidera e stringere a fondo il bullone testa rotonda.

8. Cambio di velocità

Per cambiare velocità, ruotare la manopola di regolazione della velocità come indicato dalla freccia nella Fig. 7. Il numero "1" inciso sul corpo del trapano indica la velocità bassa ed il numero "2" indica la velocità alta.

PROCEDIMENTI DI IMPIEGO PRATICO

1. Regolazione della velocità e commutazione

- La velocità di rotazione può essere regolata tra 0 e massimo semplicemente regolando la forza esercitata sul grilletto. Più si schiaccia il grilletto e maggiore è la velocità di rotazione. Quando il grilletto è la velocità di rotazione. Quando il grilletto è al limite della corsa, la velocità è al massimo. (per D13VB2)
- Premendo il grilletto e spostando il fermo, il trapano resta permanentemente acceso, il che è conveniente per dei lunghi lavori. Il fermo si libera semplicemente premendo il grilletto ancora una volta.

2. Pressione

Il lavoro di foratura NON sarà accelerato se si esercita una forte pressione sul trapano. Una tale azione avrà conseguenze solo in un danneggiamento della punta, in una minore efficacia di perforazione e/o in una diminuzione della vita del trapano.

3. Quando si usa una punta a grande diametro

Più è grande il diametro della punta, grande sarà la forza di reazione sul vostro braccio. Fare attenzione a non perdere il controllo del trapano a causa di quista forza di reazione. Per mantenere un solido controllo, prendere un assetto stabile sui piedi, tenere stretto il trapano con ambedue le mani e tenere il trapano ortogonale rispetto al materiale da perforare.

4. Quando si perfora il materiale da parte a parte

Quando la punta perfora tutto il materiale, un maneggio non attento ha spesso come risultato una punta spezzata o danni al corpo stesso del trapano, dovuti all'improvviso movimento del trapano. Restare sempre in guardia e pronti a rilasciare la pressione quando si perfora il materiale da parte a parte.

5. Precauzione nel praticare fori

La punta può surriscaldarsi durante il funzionamento; essa resta tuttavia usabile. Non raffreddare la punta in acqua od in olio.

6. Precauzione da prendere immediatamente dopo l'uso

Se, immediatamente dopo l'uso, mentre è ancora in rotazione, il trapano è posato in un luogo dove ci siano abbondanti detriti della trapanatura e polvere, la polvere può eventualmente essere risucchiata e penetrare nei meccanismi del trapano. Fare attenzione a questa eventualità non desiderata.

MANUTENZIONE E CONTROLLI

1. Controllo della punta

L'uso continuato di una punta consumata o danneggiata causerebbe una minor efficacia dell'utensile e sovraccaricherebbe eccessivamente il motore. Controllare frequentemente la condizioni della punta e sostituirla quando necessario.

2. Controllo delle punte perforanti e dei maschi

Poiché l'uso continuativo di una punta perforante o di un maschio logorati può diminuire la capacità di funzionamento e provocare eventuali sovraccarichi al motore, sostituire o affilare la punta perforante od il maschio, senza indugio, quando si nota una eccessiva usura.

3. Manutenzione del motore

L'avvolgimento del motore è il vero e proprio "cuore" dell'utensili elettrici. Fare attenzione a non danneggiare l'avvolgimento e/o a non bagnarlo con olio o acqua.

4. Controllo delle spazzole di carbone (Fig. 8)

Il motore dell'utensile fa uso di spazzole di carbone le quali, con il tempo, si consumano. Delle spazzole eccessivamente consumate possono causare problemi al motore, sostituire le spazzole di carbone con delle nuove, dello stesso numero indicato nella figura, non appena sono consumate o sono vicine al "limite di usura". Inoltre, mantenere le spazzole sempre pulite e controllare che si spostino liberamente sul portaspazzole.

5. Sostituzione di una spazzola di carbone: (Fig. 9)

○ Rimozione:

- (1) Allentare le tre viti nel coperchio del calcio e togliere il coperchio del calcio.
- (2) Sollevare il porta-spazzola assieme alla spazzola di carbone facendo bene attenzione a non tirare con forza i fili di collegamento all'interno del portaspazzola.
- (3) Staccare il terminale della spazzola e togliere la spazzola di carbone dal suo porta-spazzola.

○ Montaggio:

- (1) Mettere una nuova spazzola di carbone nel portaspazzola e allacciare il terminale del terminale della spazzola alla spazzola di carbone.
- (2) Rimettere i portaspazzole e le altre parti nella loro posizione iniziale, come indicato nella Fig. 9.
- (3) Mettere il filo di collegamento nella specifica posizione. Fare molta attenzione a non consentire al filo di venire a contatto con l'armatura o con le parti rotanti del motore.
- (4) Rimettere il coperchio del calcio, facendo attenzione a che esso non schiacci il filo di collegamento e fissarlo bene con le tre viti.

ATTENZIONE

Qualora il filo di collegamento dovesse restare preso dal coperchio del calcio o venire a contatto con l'armatura o le parti rotanti del motore, si creerebbe un serio pericolo di folgorazione dell'operatore. Esercitare una precauzione estrema nello smontaggio e nel rimontaggio del motore, seguendo il suddetto procedimento in modo esatto.

Non tentare di smontare altre parti oltre a quelle necessarie ad effettuare la sostituzione della spazzola di carbone.

NOTA

A causa del continuo programma di ricerca e sviluppo della HITACHI, le caratteristiche riportate in questo foglio sono soggette a cambiamenti senza preventiva comunicazione.

Informazioni riguardanti i rumori trasmessi dall'aria e le vibrazioni

I valori misurati sono stati determinati in conformità a EN50144.

Il livello di pressione sonora pesato A tipico è di 100 dB (A).

Il livello di potenza sonora pesato A tipico è di 113 dB (A).

Indossare protezioni per le orecchie.

Il valore tipico di accelerazione quadrata media a radice pesato non supera 2,5 m/s².

ALGEMENE VOORZORGMAATREGELEN

WAARSCHUWING! Bij gebruik van elektrisch gereedschap moet u altijd de normale basisvoorzorgen voor de veiligheid in acht nemen om de kans op brand, elektrische schokken en letsel te verminderen. Let tevens op de volgende punten.

Lees al de aanwijzingen door alvorens het gereedschap in gebruik te nemen. Bewaar deze aanwijzingen.

Voor een veilige werking:

1. Houd de plaats waar gewerkt wordt schoon. Niet opgeruimde werkplaatsen en werkbanken verhogen het gevaar van ongelukken.
2. Kies een geschikte omgeving om te werken. Stel elektrisch gereedschap niet aan regen bloot. Gebruik elektrisch gereedschap niet op vochtige of natte plaatsen. Zorg dat de werkplaats goed verlicht is. Gebruik elektrisch gereedschap niet op plaatsen waar brand- of explosiegevaar is.
3. Vermijd een elektrische schok. Let er daarom op dat er geen contact is met geaarde oppervlakken zoals pijpen, radiators, keukenfornuis of ijskast.
4. Houd kinderen uit de buurt. Laat bezoekers het gereedschap of snoer niet aanraken. Alle bezoekers moeten een veilige afstand tot de werkplaats aanhouden.
5. Ruim overbodig gereedschap op. Gereedschap dat niet gebruikt wordt moet op een droge, hooggelegen of af te sluiten plaats buiten het bereik van kinderen opgeborgen worden.
6. Forceer het gereedschap niet. Het levert een betere en veiligere prestatie op de snelheid waarvoor zij werd ontworpen.
7. Gebruik het juiste gereedschap. Gebruik een klein gereedschap of hulpstuk niet voor werkzaamheden waarvoor een apparaat met groot vermogen vereist is. Gebruik het gereedschap niet voor doeleinden waarvoor dit niet bestemd is (bijvoorbeeld gebruik van de cirkelzaag voor het zagen van bomen).
8. Draag de juiste kleding. Draag geen loszittende kleren of armbanden e.d. daar deze in de bewegende delen verstrikt kunnen raken. Bij het werken buitenshuis wordt het gebruik van rubber handschoenen en stevige, niet glijdende schoenen aanbevolen.
9. Draag een veiligheidsbril. Ontstaat er veel stof tijdens het werken, draag dan eveneens een gezichtsbescherming en/of stofmasker.
10. Sluit apparatuur voor het verzamelen van stof aan. Indien apparatuur voor het verzamelen van stof is bijgeleverd, moet u deze apparatuur op de vereiste wijze verbinden en gebruiken zoals wordt beschreven.
11. Behandel het snoer voorzichtig. Draag het gereedschap nooit door dit bij het snoer vast te houden. Bescherm het snoer tegen hitte, olie en scherpe hoeken.
12. Neem de uiterste veiligheid in acht. Gebruik klemmen of een bankschroef om het werkstuk vast te zetten. Hierdoor heeft u uw handen vrij om het gereedschap te bedienen.
13. Buig u nooit te ver naar voren. Kies een goede plaats en behoud altijd uw evenwicht.
14. Behandel het gereedschap voorzichtig. Zorg ervoor dat het gereedschap scherp en schoon is zodat

een goed en veilig prestatievermogen wordt verkregen. Volg de gebruiksaanwijzing voor het smeren en het verwisselen van toebehoren.

Inspecteer de snoeren regelmatig op beschadiging en laat deze zondig door een erkend servicecenter repareren. Controleer de verlengsnoeren ook regelmatig en vervang deze bij beschadiging. Houd alle handgrepen droog en schoon en vrij van olie en vet.

15. Trek de stekker uit het stopcontact als het gereedschap niet wordt gebruikt en ook bij onderhoudsbeurten, het verwisselen van toebehoren zoals bladen, boren, messen e.d.
16. Verwijder sleutels en moersleutels. Maak er een gewoonte van voor het inschakelen te controleren of alle sleutels en moersleutels verwijderd zijn.
17. Schakel het gereedschap niet onverwacht in. Draag geen aangesloten gereedschap met de vinger op de schakelaar. Controleer altijd of het gereedschap uitgeschakeld staat alvorens dit aan te sluiten.
18. Bij het werken buitenshuis dient een verlengsnoer te worden gebruikt. Gebruik dan alleen verlengsnoeren die geschikt zijn voor het werken buitenshuis en desbetreffend gemerkt zijn.
19. Let altijd goed op tijdens het werken. Kijk uit wat u doet en gebruik het gereedschap niet als u moe bent.
20. Bij beschadiging van een van de onderdelen dient dit nauwkeurig te worden nagekeken en gerepareerd alvorens het gereedschap opnieuw in gebruik wordt genomen. Let erop dat het betreffende onderdeel zijn functie goed vervult. Controleer of de bewegende delen goed zijn gemonteerd en vrij kunnen bewegen. Dit om een foutief functioneren van het gereedschap te voorkomen. Bij de beschadiging van een onderdeel dient de reparatie altijd te worden overgelaten aan een erkend service-center, tenzij in deze gebruiksaanwijzing anders wordt voorgeschreven. Laat ook defekte schakelaars vervangen door een erkend service-center. Gebruik het gereedschap niet als de aan/uit-schakelaar niet werkt.
21. Waarschuwing
Het gebruik van toebehoren of verlengstukken waarvan het gebruik niet in deze gebruiksaanwijzing is aangegeven, veroorzaakt mogelijk letsel.
22. Laat het elektrisch gereedschap door een vakman repareren.
Dit elektrisch gereedschap voldoet aan de vereiste eisen voor de veiligheid. Voorkom mogelijk zeer ernstige ongelukken en laat derhalve reparatie over aan een erkend vakman die de originele reserve-onderdelen gebruikt.

VOORZORGMAATREGELEN BATREFFEN DE HET GEBRUIK DE BOORMACHINE

1. Voordat men in een muur, vloer of plafond boort, moet men zich er eerst van overtuigd hebben, dat zich daaronder geen elektrische kabels bevinden.

TECHNISCHE GEGEVENS

Model	D13VB2		D13T2		
Voltage (verschillende van gebied tot gebied)*	(110V, 115V, 120V, 127V, 220V, 230V, 240V) √				
Opgenomen vermogen	750W*				
Snelheden	1	2	1	2	
Toerental onbelast	0-1100/min	0-2600/min	1100/min	2600/min	
Capaciteit	Staal	13 mm	8 mm	13 mm	8 mm
	Hout	40 mm	25 mm	40 mm	25 mm
Gewicht (zonder kabel)					
Specificatie voor boorkop voorzien van boorkopsleutel	2,1 kg				
Specificatie voor boorkop zonder sleutel	2,3 kg				

*Kontroleer het naamplaatje op het apparaat, daar het apparaat afhankelijk van het gebied waar het verkocht wordt gewijzigd kan worden.

STANDARD TOEBEHOREN

- (1) Boorhoudersleutel (Specificatie voor uitsluitend boorkop voorzien van boorkopsleutel) 1
- (2) Handgreep 1
- (3) Dieptemeter 1

De standaard toebehoren kunnen zonder aankondiging op ieder moment worden veranderd.

EXTRA TOEBEHOREN (los te verkrijgen)

- Boorstandaard (Model D10-DS)
- De extra toebehoren kunnen zonder aankondiging op ieder moment worden veranderd.

TOEPASSINGSGBIEDEN

- Boren van gaten in metaal, hout en plastic.

VOOR BEGIN VAN HET WERK

- 1. Netspanning**
Controleren of de netspanning overeenkomt met de opgave op het naamplaatje.
- 2. Netschakelaar**
Controleren of deenschakelaar op "UIT" staat. Wanneer de stekker op het net aangesloten is, terwijl de schakelaar op "AAN" staat, begint het gereedschap onmiddellijk te draaien, hetwelk ernstig gevaar betekent.
- 3. Verlengsnoer**
Wanneer het werkterrein niet in de buurt van een stopcontact ligt, dan moet men gebruik maken van een verlengsnoer, dat voldoende dwarsprofiel en voldoende nominaal vermogen heeft. Het verlengsnoer moet zo kort mogelijk gehouden worden.
- 4. Monteren en verwijderen van de boren**

Voor boorkop met boorkopsleutel (Afb. 1)

De boor wordt aangebracht in de boorhouder en de daarvoor bestemde sleutel gebruikt men voor

het vastdraaien. Voor het vastdraaien van de zijstukken steekt men de boorhoudersleutel na elkaar in elk van de drie gaten.

Voor boorkop zonder sleutel (Afb. 2, 3)

- (1) Bevestigen van het boorstuk
Draai de vergrendelkraag in de richting van "AUF" en open de boorkop. Steek het boorstuk zo ver als mogelijk in de boorkop en draai de vergrendelkraag naar "ZU". Houd de borgring vast en sluit de boorkop door de huls vanaf de voorkant gezien naar rechts te draaien.
- (2) Verwijderen van het boorstuk
Draai de vergrendelkraag in de richting van "AUF" om het mechanisme te ontgrendelen. Houd de borgring vast en open de boorkop door de huls naar links te draaien.

OPMERKING

Wanneer de huls niet verder los komt, moet u de zijhendel aan de borgring bevestigen, de zijhendel stevig vasthouden en dan de huls met de hand losdraaien. (Afb. 4)

- 5. De keuze van de juiste boor**
 - Bij boren in metaal of kunststof
Gebruik maken van een normale metaalboor.
 - Bij boren in hout
Gebruik maken van een normale houtboor. Voor gaten van 6,5 mm of kleiner maakt men gebruik van een metaalboor.
- 6. Controle van de draairichting van de boor (Afb. 5)**
De boor draait rechtsom (van achteren gezien) wanneer de R-kant van de omzetschakelaar ingedrukt wordt.
De L-kant van de omzetschakelaar dient te worden ingedrukt om de boor linksom te laten draaien. (Uitsluitend voor D13VB2)
- 7. Het aanbrengen van de handgreep (Afb. 6)**
De knopmoer van de handgreep wordt losgedraaid en men hevestigt de greep aan de kast in een voor het boren geschikte stand. Het uitstekende gedeelte van de greep wordt op de groef van de kast gericht en de knopmoer wordt aangedraaid. Voor het afmonteren van de greep wordt de knopmoer losgedraaid en de handgreep gedraaid. Voor het

aanbrengen van de diepte aanslag aan de handgreep zet men de aanslagstaaf in de U-vormige groef van de handgreep, de diepte aanslag wordt op de gewenste diepte ingesteld en men draait de knop moer vast.

8. Omschakelen van een hoog toerental naar een laag toerental

Voor het veranderen van toerental draait u de toerentalkiezer in de gewenste richting, zoals aangeduid wordt in **Afb. 7** d.m.v. de pijl. Het op de kast ingeslagen d.m.v. de pijl. Het op de kast ingeslagen cijfer "1" betekent laag toerental, het cijfer "2" betekent een hoog toerental.

PRAKTISCHE WERKWIJZE

1. Instelling draaisnelheid en bediening van schakelaar

- De draaisnelheid kan ingesteld worden op 0 tot maximum snelheid door de trekkracht van de schakelaar te veranderen. Hoe meer de trekker aangetrokken wordt, hoe sneller de boor gaat draaien. Maximale draaisnelheid wordt verkregen door de schakelaar geheel in te trekken. (voor D13VB2)
- Door de schakelaar aan te trekken en de stopper in te drukken blijft de boor continue doorlopen, hetgeen gemakkelijk is voor langdurende boren. De stopper kan ontkoppeld worden door de schakelaar nogmaals aan te trekken.

2. Druk

Het boren wordt niet bespoedigd door het uitvoeren van een sterke druk op de boor. Extra druk leidt tot een beschadigde boor, een verminderde boorprestatie en/of kortere levensduur van de boormachine.

3. Het gebruik van een boor met grote diameter

Hoe groter de boordiameter, des te sterker is de op de arm terugwerkende kracht. Men moet er op letten, dat men op grond van deze terugwerkende kracht niet de macht over de boor machine verliest. Voor een goede controle is een zekere stand vereist, men moet de boormachine met beiden handen vasthouden en er voor zorgen, dat de boormachine loodrecht op het materiaal staat, waarin men boort.

4. Bij het boren door het materiaal

Wanneer de boor volledig door het materiaal heenboort, leidt een achtelozige hantering dikwijls tot een afgebroken boor of tot een beschadiging van de boormachine zelf op grond van de plotselinge beweging van de boormachine.

Men moet er steeds op voorbereid zijn de druk bij het doorboren van het materiaal te verminderen.

5. Veiligheidsmaatregelen bij het boren

De boor kan tijdens het bedrijf oververhit worden, is echter nog in staat verder te functioneren. De boor niet afkoelen in water of olie.

6. Veiligheidsmaatregelen onmiddellijk na het gebruik

Onmiddellijk na gebruik kan, wanneer de boormachine nog draait, en op een plaats gelegd werd, waar zich aanzienlijke hoeveelheden boorafval en stof opeengehoopt hebben, stof in het boormechanisme gezogen worden. Op deze ongewenste mogelijkheid moet steeds gelet worden.

ONDERHOUD EN INSPECTIE

1. Inspectie van de boorpunt

Langdurig gebruik van een versleten en/of beschadigde boorpunt resulteert in verminderde efficiëntie ne kan de boor overbelasten. Controleer de boor regelmatig, en vervang deze indien nodig.

2. Inspectie van de boor en schroefdraadsnijder

Aangezien het verder gebruiken van een versleten boor of schroefdraadsnijder het bedrijfsvermogen vermindert en eventueel een overbelasting van de motor kan veroorzaken, moet de boor of schroefdraadsnijder meteen vervangen of geslepen worden, wanneer een bovenmatige slijtage worden, wanneer een bovenmatige slijtage wordt vastgesteld.

3. Onderhoud van de motor

De motorwikkeling is het "hart" van het elektrische gereedschap. Er moet daarom bijzonder zorgvuldig op gelet worden, dat de wikkeling niet beschadigd en/of met olie of water bevochtigd wordt.

4. Inspectie van de koolborstels (Afb. 8)

De motor gebruik koolborstels, die aan slijtage onderhevig zijn. Versleten koolborstels kunnen schade aan de motor opleveren, en dienen vervangen te worden met koolborstels met het zelfde nummer wanneer deze versleten zijn, zoals de illustratie aangeeft ("wear limit"). Zorg er bovendien voor dat de koolborstels altijd schoon zijn en dat ze vrij in de houders kunnen bewegen.

5. Het vervisselen van de koolborstel: (Afb. 9)

○ Uit elkaar nemen:

- (1) De drie schroeven aan het deksel van de machine worden losgedraaid en het deksel wordt verwijderd.
- (2) De borstelhouder wordt er samen met de koolborstel uitgenomen, waarbij er zorgvuldig op gelet moet worden, niet met geweld aan de kabels in de borstelhouder te trekken.
- (3) Men trekt de klem van de borstel er af en neemt de koolborstel uit de borstelhouder.

○ Montage:

- (1) De nieuwe koolborstel zet men in de borstelhouder en men sluit de klem aan de koolborstel aan.
- (2) De borstelhouder en de overige delen worden, zoals aangegeven in **Afb. 9**, op de oorspronkelijke plaats teruggebracht.
- (3) De kabel wordt op de voorgeschreven plaats gebracht. Er moet zorgvuldig op gelet worden, dat de kabel niet in aanraking komt met het armatuur of met draaiende gedeelten van de motor.
- (4) Het deksel van de machine wordt er weer opgezet, waarbij er op gelet moet worden, dat geen enkele kabel vastgeklemd wordt. Het deksel bevestigt men weer met de drie schroeven.

LET OP

Wanneer een kabel door het deksel van de machine vastgeklemd wordt of in aanraking komt met het armatuur of met draaiende delen van de motor, dan bestaat er voor de gebruiker een aanzienlijk gevaar een elektrische schok te krijgen. Bij het uit elkaar nemen en monteren van de motor moet men de vooraf beschreven werkwijze zorgvuldig aanhouden en met uiterste zorgvuldigheid te werk gaan. Probeer niet, delen uit elkaar te nemen, in zoverre dit voor het vervisselen van de koolborstel niet noodzakelijk is.

AANTEKENING

Op grond van het voortdurende research-en ontwikkelingsprogramma van HITACHI zijn veranderingen van de hierin genoemde technische opgaven voorbehouden.

Informatie betreffende luchtgeluid en trillingen

De gemeten waarden zijn verkregen overeenkomstig EN50144.

Het doorsnee A-gewogen geluidruknivo is 100 dB (A).
Het standaard A-gewogen geluidruknivo: 113 dB (A).

Draag gehoorbescherming.

De doorsnee gewogen effectieve acceleratiewaarde is gelijk aan of minder dan 2,5 m/s².

PRECAUCION ES GENERAL ES PARA OPERACIÓN

¡ADVERTENCIA! Cuando utilice herramientas eléctricas, tome las medidas de seguridad básicas para reducir el riesgo de incendios, descargas eléctricas, y lesiones, incluyendo lo siguiente. Lea todas estas instrucciones antes de utilizar este producto y guárdelas. Para realizar operaciones seguras:

1. Mantener el área de trabajo limpia, áreas y bancos de trabajo desordenados son causa de daños personales.
2. Considerar el medio ambiente del área de trabajo. No exponer las herramientas eléctricas a la lluvia. No usar herramientas eléctricas en lugares mojados o húmedos. Mantener el área de trabajo bien iluminada.
No utilice herramientas eléctricas cuando exista el riesgo de incendios o de explosión.
3. Protegerse contra descargas eléctricas. Evitar el contacto del cuerpo con las superficies puestas a tierra. (p. ej., tubos, radiadores, hornos de microondas, o refrigeradores.)
4. Mantener a los niños alejados. No dejar que los visitantes toquen las herramientas ni los cables de extensión. Todos los visitantes deberán mantenerse alejados del área de trabajo.
5. Guardar las herramientas que no se usen y ponerlos en lugares secos, altos o cerrados, fuera del alcance de los niños.
6. No forzar las herramientas, éstas trabajarán más y con mayor seguridad cuando cumplan con las especificaciones para las cuales fueron diseñadas.
7. Usar las herramientas apropiadas. No forzar pequeñas herramientas o accesorios a realizar el trabajo de herramientas de mayor potencia. No utilizar herramientas para otros propósitos para los cuales no fueron diseñadas, por ejemplo, no utilizar sierras circulares para cortar ramas de árboles o troncos.
8. Vestir apropiadamente. No ponerse ropas que queden flojas ni tampoco joyas. Estas podrían quedar atrapadas en las partes móviles de las herramientas. Cuando se trabaje en exteriores, se recomienda el uso de guantes de goma y calzado que no resbale.
9. Usar gafas de protección. Usar también mascarillas contra el polvo si las condiciones de corte fuesen polvorientas.
10. Conecte un equipo colector de polvo.
Si existen dispositivos para la conexión de equipos de extracción y recolección de polvo, cerciórese de que éstos estén conectados adecuadamente, y de utilizarlos en la forma correcta.
11. Cuidar del cable. Nunca lleve las herramientas colgando del cable, tampoco tire del cable para efectuar la desconexión de las herramientas. Mantener el cable alejado del calor, aceite y bordes agudos.
12. Asegurar la pieza de trabajo usando para ello abrazaderas o un tornillo. Esto es más seguro que usar las manos, además, ambas manos quedan libres para operar la herramienta.
13. No extenderse excesivamente para efectuar un trabajo. Mantener en todo momento un buen balance y base de apoyo.
14. Mantener cuidadosamente las herramientas. Tener las siempre limpias y afiladas para obtener un mejor rendimiento y un funcionamiento más seguro. Seguir siempre las instrucciones para la lubricación y el cambio de accesorios. Inspeccionar periódicamente los cables de las herramientas y si estuviesen dañados, hacer que los reparen técnicos ó expertos. Inspeccionar periódicamente

los cables de extensión y cambiarlos si estuviesen dañados. Mantener los mangos secos, limpios, y libres de aceite y grasa.

15. Desconectar las herramientas cuando no se usen, antes de repararlas, y cuando se cambien accesorios como por ejemplo, cuchillas, brocas, cortadores, etc.
16. Quitar las cuñas y las llaves de tuercas. Acostumbrarse a comprobar si se han quitado las cuñas y las llaves de tuercas antes de poner las herramientas en funcionamiento.
17. Evitar puestas en funcionamiento sin fin alguno. No llevar las herramientas con los dedos en los interruptores mientras que éstas están conectadas. Cuando se conecten las herramientas, cerciorarse de que los interruptores estén en la posición de desconectados.
18. Para usos en exteriores usar cables de extensión. Cuando las herramientas vayan a ser usadas en exteriores, usar solamente cables de extensión diseñados para tal propósito.
19. Estar siempre alerta y poner atención a lo que se está haciendo, usar el sentido común y no operar con la herramienta cuando se esté cansado.
20. Comprobar las piezas dañadas. Antes de seguir con el funcionamiento de las herramientas, las piezas que estén dañadas deberán comprobarse cuidadosamente para determinar si pueden funcionar apropiadamente y cumplir con la función para las que fueron diseñadas. Comprobar el alineamiento y agarrotamiento de piezas móviles,

rotura de piezas, montura, y cualquier otra anomalía que pudiese afectar al rendimiento de la herramienta. Cualquier pieza que estuviese dañada deberá repararse apropiadamente o cambiarse en un centro de reparaciones autorizado, al menos que se indique, lo contrario en este manual de instrucciones. Procurar que los interruptores defectuosos los cambie un centro de reparaciones autorizado.

No usar las herramientas si sus interruptores no funcionasen apropiadamente.

21. Advertencia
La utilización de cualquier accesorio o aditivo no recomendado en este manual de instrucciones puede conducir al riesgo de lesiones.
22. En caso de avería, haga que su herramienta sea reparada por un técnico cualificado.
Esta herramienta eléctrica está de acuerdo con los requisitos de seguridad pertinentes. Las reparaciones solamente deberán realizarlas técnicos cualificados utilizando piezas de repuesto originales. De lo contrario, el usuario podría lesionarse.

PRECAUCIONES AL UTILIZAR EL TALADRO

1. Antes de taladrar en paredes, techos o suelos asegurarse de que no haya empotrados dentro cables eléctricos.

ESPECIFICACIONES

Modelo		D13VB2		D13T2	
Voltaje (por áreas)*		(110V, 115V, 120V, 127V, 220V, 230V, 240V)			
Acometida		750W*			
Alteración de velocidad		1	2	1	2
Velocidad de marcha en vacío		0-1100/min	0-2600/min	1100/min	2600/min
Capacidad	Acero	13 mm	8 mm	13 mm	8 mm
	Madera	40 mm	25 mm	40 mm	25 mm
Peso (sin cable)					
Especificaciones para el portabrocas con llave				2,1 kg	
Especificaciones para el portabrocas sin llave				2,3 kg	

*Verificar indefectiblemente los datos de la placa de características de la máquina, pues varían de acuerdo al país de destino.

ACCESORIOS ESTANDAR

- (1) Velvedor de mandril (Especificaciones para el portabrocas con llave solamente)..... 1
- (2) Asidero lateral 1
- (3) Calibrador de profundidad 1

Accesorios estándar están sujetos a cambio sin previo aviso.

ACCESORIOS FACULTATIVOS

(de venta por separado)

- Soporte para taladradora (Modelo D10-DS)
- Accesorios facultativos están sujetos a cambio sin previo aviso.

APLICACIONES

- Por acción de orificios en metal, madera y plástico.

ANTES DE LA PUESTA EN MARCHA

1. Alimentación

Asegurarse de que la acometida de red que ha de ser utilizada es conforme a las exigencias de corriente especificadas en la placa de características del producto.

2. Conmutador de alimentación

Asegurarse de que el conmutador de acometida está en posición OFF (desconectado). Si el enchufe está conectado a la caja del enchufe mientras el conmutador de acometida está en posición ON

(conectado) la herramienta eléctrica empezará a trabajar inmediatamente, provocando un serio accidente.

3. Cable de prolongación

Cuando está alejada el área de trabajo de la red de acometida, usar un cable de prolongación de un grosor suficiente y potencia nominal. El cable de prolongación debe ser mantenido o más corto posible.

4. Montaje y desmontaje de las brocas

Para portabrocas con llave para el mismo (Fig. 1)

Montar la broca de taladro dentro del mandril y usar la llave de mandril para asegurarla, apretando el mandril en cada uno de sus orificios alternamente.

Para portabrocas sin llave (Fig. 2, 3)

(1) Montaje de la broca

Gire el collar de bloqueo hacia "AUF" y abra el portabrocas. Después de haber insertado la broca en el portabrocas hasta donde pueda entrar, gire el collar de bloqueo hacia "ZU". Sujete el anillo de retención y cierre el portabrocas girando el manguito hacia la derecha, visto desde la parte frontal.

(2) Desmontaje de la broca

Gire el collar de bloqueo hacia "AUF" para liberar la fuerza de impacto. Sujete al anillo de retención y abra el portabrocas girando el manguito hacia la izquierda.

NOTA

Cuando el manguito no se afloje más, fije el asa lateral en el anillo de retención, sujete firmemente el asa, y después gire el manguito para aflojarlo manualmente (Fig. 4).

5. Seleccionar la broca de taladro apropiada

- Perforando metal o plástico
Usar una broca de taladro ordinaria para trabajos en metal.
- Perforando madera
Usar una broca de taladro ordinaria para trabajos en madera. En cualquier caso, perforando orificios de 6,5 mm, o menos, usar una broca de taladro para trabajos en metal.

6. Confirmar la dirección de rotación de la broca (Fig. 5)

La broca rota hacia la derecha (mirándola desde atrás) al oprimir el lado R (der.) de la palanca interruptore de inversión.

El lado L (izq.) de la palanca se usa para hacer girar la broca a la izquierda. (Para D13VB2 solamente)

7. Montar el asidero lateral (Fig. 6)

Soltar el perno de perilla en el asidero lateral y aplicar el asidero lateral a la caja de engranaje en la posición conveniente para laradrar.

Encajar la parte sobresaliente del asidero en el hueco en la caja de engranaje y apretar firmemente el perno de perilla. Para quitar el asidero lateral, soltar el perno de perilla y girar el asidero. Para aplicar el calibrador de profundidad en el asidero lateral, insertar el calibrador en el hueco en forma de U en el asidero lateral, ajustar la posición del calibrador de profundidad de acuerdo con la profundidad de orificio deseada, y apretar firmemente el perno de perilla.

8. Alteración velocidad alta/velocidad baja

Para alterar la velocidad girar el dial de cambio como indicada por la flecha en Fig. 7. El numeral "1" grabado en el cuerpo del taladrador denota velocidad baja, el numeral "2" denota velocidad alta.

PROCEDIMIENTOS PRACTICOS DE MANEJO

1. Ajuste de velocidad y uso del interruptor

- La velocidad del taladro puede ajustarse de 0 a plena velocidad al regular la fuerza de apriete del gatillo.

Mientras más se lo aprieta, más rápido gira el taladro. Mientras más se lo aprieta, más rápido gira el taladro.

Cuando se lo apriete por completo, la velocidad obtenida es la máxima. (para el D13VB2 solamente)

- Tirar del interruptor-gatillo y empujar el tope, para mantenerlo aplicado, lo cual es muy práctico para uso continuo de la herramienta. Cuando se lo desconecta, puede quitarse el tope tirando del gatillo nuevamente.

2. Presión

El taladrar NO se acelera aplicando una presión pesada en el taladrador. Una tal acción tendría sólo como resultado a que la broca de taladro dañada, disminuiría la eficiencia de taladro y/o acortaría la vida de servicio del taladrador.

3. Uso de un diámetro grande de la broca de taladro

Cuanto más grande el diámetro de la broca de taladro, tanto más grande la fuerza reactiva en su brazo. Tener cuidado de no perder el control sobre el taladrador a causa de esta fuerza reactiva. Para mantener un firme control establecer una buena posición de los pies. sujetar el taladrador firmemente con ambas manos y asegurarse de que el taladrador está vertical con respecto al material que se taladra.

4. Perforando completamente a través del material

Si la broca de taladro perfora completamente a través del material un manejo sin cuidado a menudo resulta en una broca de taladro rota o daño del mismo cuerpo de taladro a causa del movimiento repentino del taladrador. Siempre estar atento y preparado para relajar la fuerza de apretar al taladrar a través del material.

5. Precauciones al perforar

La broca de taladro puede ponerse demasiado caliente durante la operación. En cualquier caso es suficientemente utilizable. No intentar enfriar la broca de taladro en agua o aceite.

6. Precaución respecto al tiempo inmediatamente después de haber sido usado

Inmediatamente después de haber sido usado mientras se está todavía moviendo, si taladrador está questo en un sitio donde se han acumulado considerablemente partículas de la superficie o polvo puede ser absorbido ocasionalmente el polvo dentro del mecanismo del taladrador. Prestar siempre atención a esta posibilidad indeseable.

MANTENIMIENTO E INSPECCION

1. Inspección de la broca de taladro

El uso continuado de una broca de taladreficiencia de taladrar y puede sobrecargar seriamente el motor del taladro. Inspeccionar entonces la broca de taladrar con frecuencia y colocarla como se necesita.

2. Inspeccionar la broca de taladro y el macho de roscar

Como el uso continuado de una broca o macho de roscar desgastados disminuye la eficiencia operativa y causa un posible recalentamiento del motor, reemplazar o afilar la broca o el macho sin demora si se nota un excesivo desgaste.

3. Mantenimiento d motor

La unidad de devanado del motor es el verdadero "corazón" del herramientas eléctricas. Prestar el mayor cuidado a asegurarse de que el devando no se dañe y/o se humedezca con aceite o agua.

4. Inspeccionar las escobillas de carbón (Fig. 8)

El motor emplea escobillas de carbón, que son piezas consumibles. Debido a que las escobillas de carbón muy desgastadas pueden producir problemas de motor, hay que cambiarlas por otras nuevas, que tengan el mismo número, tal como lo indica el "límite de desgaste".

Además, siempre hay que mantener las escobillas de carbón limpias y hay que asegurarse de que corren libremente dentro de los portaescobillas.

5. Reemplazar el carbón de contacto: (Fig. 9)

○ Desmontaje:

- (1) Soltar los tres tornillos de la máquina de la cubierta del asidero y quitar la cubierta del asidero.
- (2) Levantar hacia afuera el sujetador del carbón junto con el carbón de contacto. Al mismo tiempo prestar mucha atención a no tirar con fuerza de las conducciones de acometida dentro del sujetador del carbón.
- (3) Tirar el borne de conexión del carbón y quitar el carbón de contacto del sujetador del carbón.

○ Montar de nuevo:

- (1) Situar de nuevo el carbón de contacto dentro del sujetador del carbón y conectar el borne de conexión del carbón al carbón de contacto.
- (2) Retornar el sujetador del carbón y las demás partes a sus posiciones originales como ilustra en la Fig. 9.
- (3) Situar la conducción de acometida en la posición especificada. Prestar mucha atención a no dejar contactar la conducción de acometida con la armadura o con las partes rotantes del motor.
- (4) Volver a situar la cubierta del asidero prestando al mismo tiempo atención para asegurarse de que no pille la conducción de acometida y asegurarla firmemente con los tres tornillos.

PRECAUCION

En caso de que se pillara la conducción de acometida con la cubierta del asidero o entrara en contacto con la armadura o partes rotantes del motor se originaría un riesgo serio de latigazo eléctrico para el usuario. Prestar extrema atención al desmontar y volver a montar el motor siguiendo exactamente el procedimiento antedicho.

NO intentar desmontar ninguna otra pieza que las necesarias para efectuar el reemplazamiento del carbón de contacto.

OBSERVACION

Debido al programa continuo de investigación y desarrollo de HITACHI estas especificaciones están sujetas a cambio sin preaviso.

Informacion sobre el ruido propagado por el aire y vibracion


Los valores medidos fueron determinados de acuerdo con EN50144.

El nivel de presión acústica de ponderación A típico es de 100 dB (A).

Nivel de potencia acústica de ponderación A típico: 113 dB (A).

Utilice protectores para los oídos.

El valor de aceleración de ponderación media cuadrática típico no sobrepasa 2,5 m/s².

<p>English</p> <p>EC DECLARATION OF CONFORMITY</p> <p>We declare under our sole responsibility that this product is in conformity with standards or standardized documents EN50144, HD400, EN55014, EN60555 and/or EN50082-1 in accordance with Council Directives 73/23/EEC, 89/392/EEC and/or 89/336/EEC.</p> <p>* This declaration is applicable to the product affixed CE marking.</p>	<p>Italiano</p> <p>DICHIARAZIONE DI CONFORMITÀ CE</p> <p>Si dichiara sotto nostra responsabilità che questo prodotto è conforme agli standard o ai documenti standardizzati EN50144, HD400, EN55014, EN60555 e/o EN50082-1 conforme alle direttive 73/23/CEE, 89/392/CEE e/o 89/336/CEE del concilio.</p> <p>* Questa dichiarazione è applicabile ai prodotti cui sono applicati i marchi CE.</p>
<p>Deutsch</p> <p>ERKLÄRUNG ZUR KONFORMITÄT MIT CE-REGELN</p> <p>Wir erklären mit alleiniger Verantwortung, daß dieses Produkt den Standards oder standardisierten Dokumenten EN50144, HD400, EN55014, EN60555 und/oder EN50082-1 in Übereinstimmung mit den Direktiven des Europarats 73/23/EWG, 89/392/EWG und/order 89/336/EWG entspricht.</p> <p>* Diese Erklärung gilt für Produkte, die die CE-Markierung tragen.</p>	<p>Nederlands</p> <p>EC VERKLARING VAN CONFORMITEIT</p> <p>Wij verklaren onder eigen verantwoordelijkheid dat dit produkt conform de richtlijnen of gestandaardiseerde documenten EN50144, HD400, EN55014, EN60555 en/of EN50082-1 voldoet aan de eisen van EEG Bepalingen 73/23/EEG, 89/392/EEG en/of 89/336/EEG.</p> <p>* Deze verklaring is van toepassing op produkten voorzien van de CE-markeringen.</p>
<p>Français</p> <p>DECLARATION DE CONFORMITE CE</p> <p>Nous déclarons sous notre seule et entière responsabilité que ce produit est conforme aux normes ou documents normalisés EN50144, HD400, EN55014, EN60555 et/ou EN50082-1 en accord avec les Directives 73/23/CEE, 89/392/CEE et/ou 89/336/CEE du Conseil.</p> <p>* Cette déclaration s'applique aux produits désignés CE.</p>	<p>Español</p> <p>DECLARACIÓN DE CONFORMIDAD DE LA CE</p> <p>Declaramos bajo nuestra única responsabilidad que este producto está de acuerdo con las normas o con los documentos de normalización EN50144, HD400, EN55014, EN60555 y/o EN50082-1, según indican las Directrices del Consejo 73/23/CEE, 89/392/CEE y/o 89/336/CEE.</p> <p>* Esta declaración se aplica a los productos con marcas de la CE.</p>
<div style="display: flex; justify-content: space-between;"> <div style="width: 60%;"> <p>Hitachi Power Tools Europe GmbH Siemensring 34, 47877 Willich, F. R. Germany Hitachi Koki Co., Ltd. Nippon Building, 6-2, Ohtemachi 2-chome, Chiyoda-ku, Tokyo, Japan</p> </div> <div style="width: 35%; text-align: center;">  <p><i>K. Mitsuishi</i></p> <hr style="width: 100px; margin: 0 auto;"/> <p>K. Mitsuishi</p> </div> </div>	

Hitachi Koki Co., Ltd.