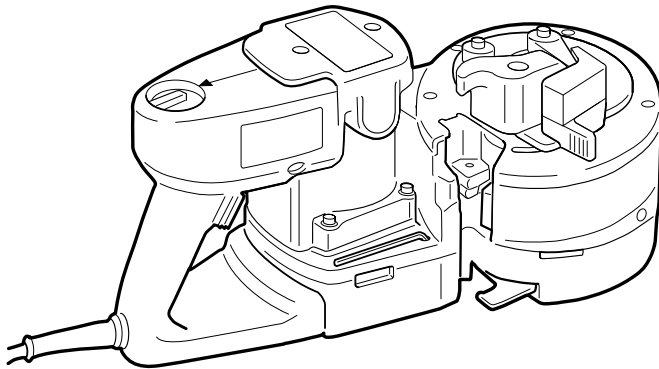


HITACHI

PORTABLE REBAR CUTTER/BENDER BAUSTAHL BIEGE-TRENN MASCHINE CISAILLE/CINTREUSE PORTATIVE POUR BARRES BÉTON TRANCIA E SAGOMA BARRE PORTATILE DRAAGBARE BETONIJZER BUIG-EN SNIJMACHINE DOBLADORA/CORTADORA DE VARILLA

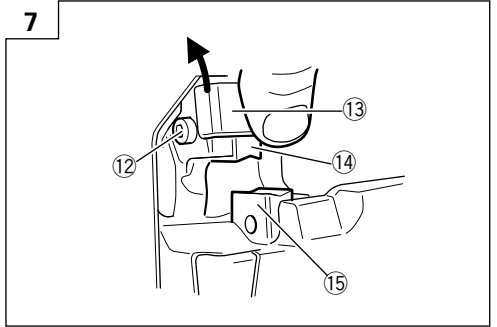
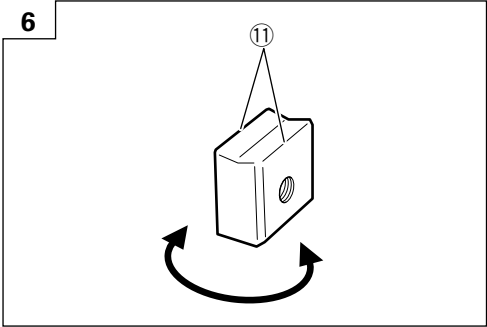
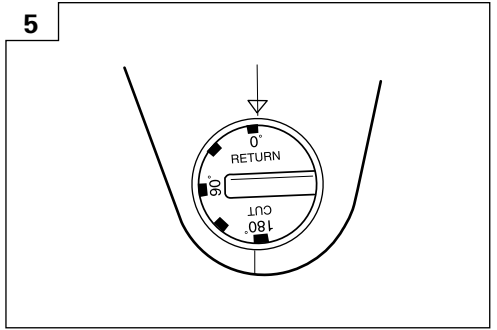
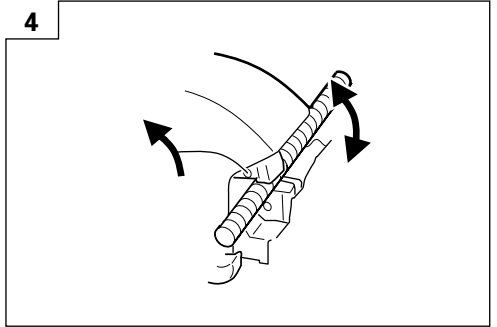
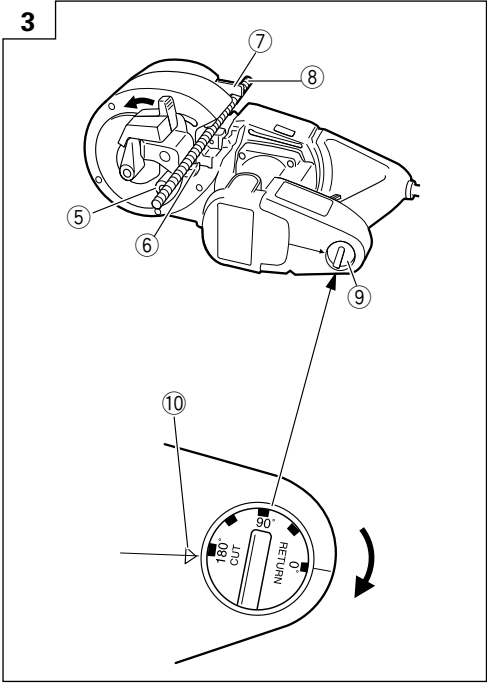
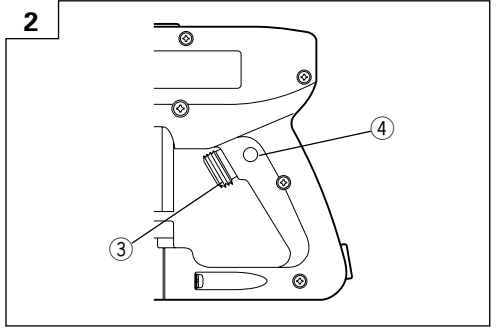
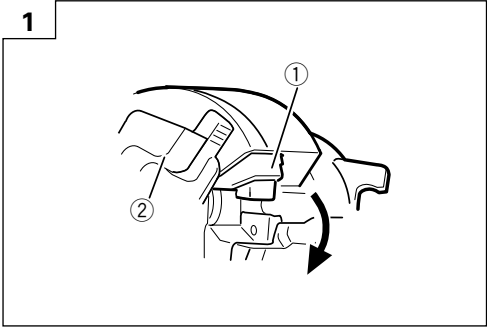
VB 13Y

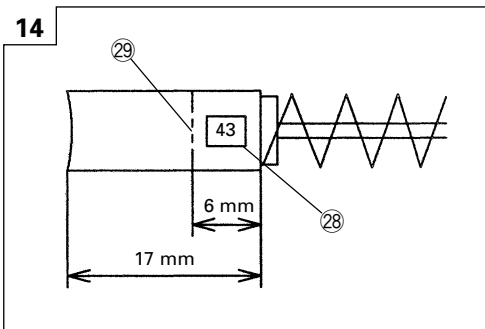
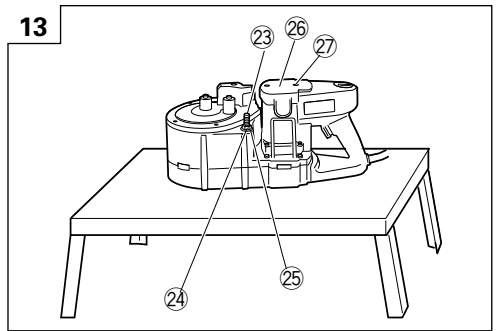
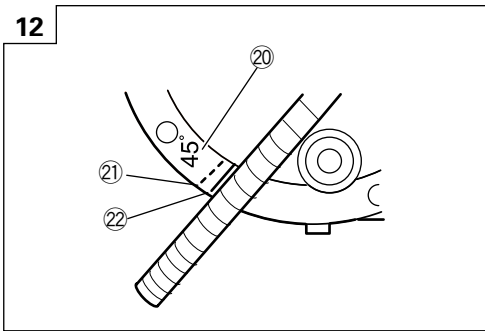
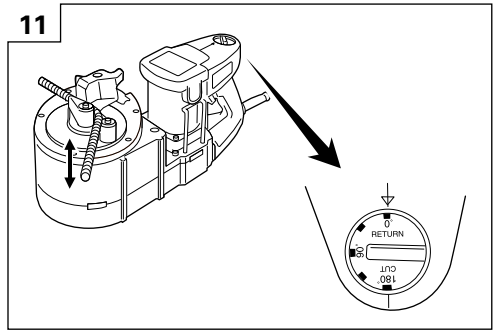
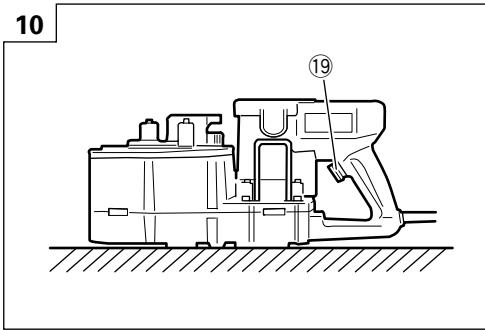
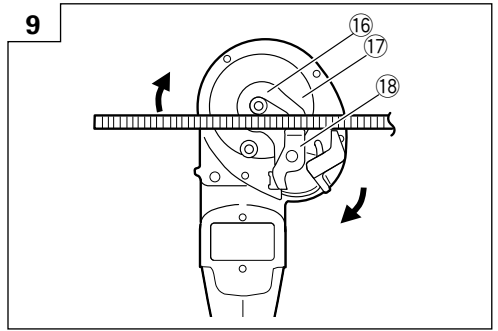
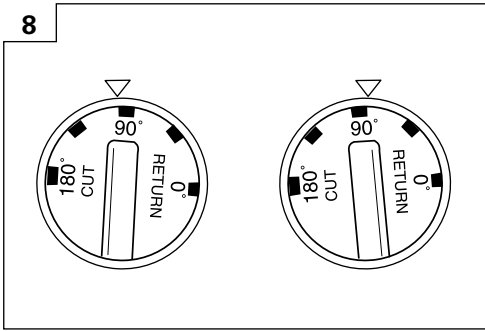


Read through carefully and understand these instructions before use.
Diese Anleitung vor Benutzung des Werkzeugs sorgfältig durchlesen und verstehen.
Lire soigneusement et bien assimiler ces instructions avant usage.
Prima dell'uso leggere attentamente e comprendere queste istruzioni.
Deze gebruiksaanwijzing s.v.p. voor gebruik zorgvuldig doorlezen.
Leer cuidadosamente y comprender estas instrucciones antes del uso.



Handling instructions
Bedienungsanleitung
Mode d'emploi
Istruzioni per l'uso
Gebruiksaanwijzing
Instrucciones de manejo





	English	Deutsch	Français
①	Cover	Abdeckung	Couvercle
②	Lever	Hebel	Levier
③	Switch trigger	Druckschalter	Gâchette
④	Lock button	Feststellknopf	Bouton de blocage
⑤	Bending roller	Biegerolle	Rouveau de cintrage
⑥	Reaction stopper A	Reaktionsanschlag A	Butée de réaction A
⑦	Reaction stopper B	Reaktionsanschlag B	Butée de réaction B
⑧	Rebar	Baustahl	Barre béton
⑨	Setting dial	Einstellskala	Bague de réglage
⑩	Adjusting position	Einstellposition	Position de réglage
⑪	Blade	Klinge	Lame
⑫	Hexagon socket bolt	Innensechskantschraube	Boulon à douille hexagonale
⑬	Cutter guard	Schneidschutz	Protection du couteau
⑭	Upper cutter	Obere Klinge	Couteau supérieur
⑮	Lower cutter	Untere Klinge	Couteau inférieur
⑯	Center plate	Mittelplatte	Plaque centrale
⑰	Turn table	Drehtisch	Table rotative
⑱	Stopper	Anschlag	Butée
⑲	Switch trigger	Druckschalter	Gâchette
⑳	Angle indication	Winkelanzeige	Indication d'angle
㉑	Marked line for \varnothing 10	Markierungslinie für \varnothing 10	Trait de repère pour dia. 10
㉒	Marked line for \varnothing 13	Markierungslinie für \varnothing 13	Trait de repère pour dia. 13
㉓	Bolt	Schraube	Boulon
㉔	Nut	Mutter	Ecrou
㉕	Hole to fix unit	Loch zum Fixieren des Gerätes	Orifice de fixation de l'outil
㉖	Tail cover	Hintere Abdeckung	Couvercle arrière
㉗	Set screws	Stellschrauben	Vis de fixation
㉘	No. of carbon brush	Nr. der Kohlebürste	No. du balai en carbone
㉙	Wear limit	Verschleißgrenze	Limite d'usage

	Italiano	Nederlands	Espanol
①	Coperchio	Afdekking	Cubierta
②	Leva	Hefboom	Palanca
③	Interruttore a grilletto	Trekverschakelaar	Interruptor de disparo
④	Pulsante di blocco	Vergrendelknop	Botón de bloqueo
⑤	Rullo di sagomatura	Buigrol	Rodillo de curvar
⑥	Bloccatore A	Reactie-stopper A	Tope de reacción A
⑦	Bloccatore B	Reactie-stopper B	Tope de reacción B
⑧	Barra	Betonijzer	Varilla "Rebar"
⑨	Ghiera di impostazione	Instelschijf	Dial de ajuste
⑩	Posizione di regolazione	Instelpositie	Posición de ajuste
⑪	Lama	Blad	Cuchilla
⑫	Bullone a testa esagonale	Inbusbout	Perno de cabeza hexagonal
⑬	Paralame	Schaar-bescherming	Protector de la cortadora
⑭	Taglierina superiore	Bovenste snijblad	Cortadora superior
⑮	Taglierina inferiore	Onderste snijblad	Cortadora inferior
⑯	Piastra centrale	Middenplaat	Placa central
⑰	Piano girevole	Draaitafel	Mesa giratoria
⑱	Fermo	Stopper	Tope
⑲	Interruttore a grilletto	Trekverschakelaar	Interruptor de disparo
⑳	Indicazione di angolo	Hoekaanduiding	Indicación de ángulo
㉑	Linea di indicazione ø 10	Aangegeven lijn voor ø 10	Línea marcada para ø 10
㉒	Linea di indicazione ø 13	Aangegeven lijn voor ø 13	Línea marcada para ø 13
㉓	Bullone	Bout	Perno
㉔	Dado	Moer	Tuerca
㉕	Foro per fissare l'unità	Gat om toestel te bevestigen	Agujero para fijar la unidad
㉖	Copertura posteriore	Afdekking staartstuk	Cubierta de cola
㉗	Viti di fissaggio	Instelschroeven	Tornillos de ajuste
㉘	N. della spazzola di carbone	Nr. van de koolborstel	N.º de escobilla de carbón
㉙	Limite di usura	Slijtagegrens	Límite de uso

GENERAL OPERATIONAL PRECAUTIONS

WARNING! When using electric tools, basic safety precautions should always be followed to reduce the risk of fire, electric shock and personal injury, including the following.

Read all these instructions before operating this product and save these instructions.

For safe operations:

1. Keep work area clean. Cluttered areas and benches invite injuries.
2. Consider work area environment. Do not expose power tools to rain. Do not use power tools in damp or wet locations. Keep work area well lit.
Do not use power tools where there is risk to cause fire or explosion.
3. Guard against electric shock. Avoid body contact with earthed or grounded surfaces. (e.g. pipes, radiators, ranges, refrigerators).
4. Keep children away. Do not let visitors touch the tool or extension cord. All visitors should be kept away from work area.
5. Store idle tools. When not in use, tools should be stored in a dry, high or locked up place, out of reach of children.
6. Do not force the tool. It will do the job better and safer at the rate for which it was intended.
7. Use the right tool. Do not force small tools or attachments to do the job of a heavy duty tool. Do not use tools for purposes not intended; for example, do not use circular saw to cut tree limbs or logs.
8. Dress properly. Do not wear loose clothing or jewelry, they can be caught in moving parts. Rubber gloves and non-skid footwears are recommended when working outdoors. Wear protecting hair covering to contain long hair.
9. Use eye protection. Also use face or dust mask if the cutting operation is dusty.
10. Connect dust extraction equipment.
If devices are provided for the connection of dust extraction and collection facilities ensure these are connected and properly used.
11. Do not abuse the cord. Never carry the tool by the cord or yank it to disconnect it from the receptacle. Keep the cord away from heat, oil and sharp edges.
12. Secure work. Use clamps or a vise to hold the work. It is safer than using your hand and it frees both hands to operate tool.
13. Do not overreach. Keep proper footing and balance at all times.
14. Maintain tools with care. Keep cutting tools sharp and clean for better and safer performance. Follow instructions for lubrication and changing accessories. Inspect tool cords periodically and if damaged, have it repaired by authorized service center. Inspect extension cords periodically and replace, if damaged. Keep handles dry, clean, and free from oil and grease.
15. Disconnect tools. When not in use, before servicing, and when changing accessories such as blades, bits and cutters.
16. Remove adjusting keys and wrenches. Form the habit of checking to see that keys and adjusting wrenches are removed from the tool before turning it on.

17. Avoid unintentional starting. Do not carry a plugged-in tool with a finger on the switch. Ensure switch is off when plugging in.
18. Use outdoor extension leads. When tool is used outdoors, use only extension cords intended for outdoor use.
19. Stay alert. Watch what you are doing. Use common sense. Do not operate tool when you are tired.
20. Check damaged parts. Before further use of the tool, a guard or other part that is damaged should be carefully checked to determine that it will operate properly and perform its intended function. Check for alignment of moving parts, free running of moving parts, breakage of parts, mounting and any other conditions that may affect its operation. A guard or other part that is damaged should be properly repaired or replaced by an authorized service center unless otherwise indicated in this handling instructions. Have defective switches replaced by an authorized service center. Do not use the tool if the switch does not turn it on and off.
21. Warning
The use of any accessory or attachment, other than those recommended in this handling instructions, may present a risk of personal injury.
22. Have your tool repaired by a qualified person.
This electric tool is in accordance with the relevant safety requirements. Repairs should only be carried out by qualified persons using original spare parts. Otherwise this may result in considerable danger to the user.

PRECAUTIONS ON USING PORTABLE REBAR CUTTER/BENDER

WARNING!

1. Be sure to use the unit with the rated voltage specified on the nameplate. Use of the unit at a voltage exceeding the specification on the nameplate can result in a dangerously high rotation speed and injury.
2. Avoid any work exceeding the maximum capacities of the unit described in the specifications. Never cut and/or bend any hard materials such as PC(Precast concrete) steel, etc. Materials of this type are likely to scatter into pieces and cause injuries.
3. If the unit malfunctions during operation or you hear any abnormal noise, immediately turn off the switch and stop operation. Contact the store where you bought the unit or a Authorised Hitachi Service Center, and ask for checkup and/or repair. Use of the unit without checkup and repair can result in injury.
4. Make absolutely sure that the cutter cover is closed when you don't carry out the cutting work. If the cover is kept open, the cutter can jam on foreign objects and cause serious accidents. (Fig. 1.)
5. While turning switches, never put your hand close to the cutter, reaction stopper, or bending roller. Bringing your hand close to these components can result in serious injury.
6. If you accidentally drop the unit or knock it against something, thoroughly examine the unit and ensure that there are no damages, cracks, or deformations on the cutter and unit.

CAUTIONS:

- Install the cutter and accessories securely according to the handling instructions. If you fail to install them properly, they may come off and cause an injury.
- Be sure to unplug the power cord from the receptacle when the cutter is checked, cleaned, and replaced. Failure to do so can result in a serious injury.

SPECIFICATIONS

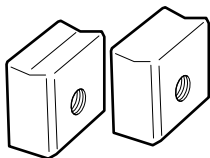
Voltage	230 V ~	
Power Input	285 W	
Capacities	(1) Material: Rebar, equivalent grades: GRADE 460 (Great Britain), BST 500 (Germany) and B500 (Spain). (2) Diameter of material: 8 – 13 mm	
Number of piece(s) that can be processed at one time	Cutting 10 mm 1 piece 13 mm 1 piece	Bending 10 mm 2 pieces 13 mm 1 piece
Weight	11.5 kg (excluding cord)	

STANDARD ACCESSORIES

- (1) Allen key (For M5 hexagon socket bolt) 1 (attached to unit)
- (2) One set of cutters 1 (attached to unit)

OPTIONAL ACCESSORIES (sold separately)

- Cutter
* One set containing two pieces

**APPLICATIONS**

- (1) Cutting of rebar
- (2) Bending of rebar

PRIOR TO OPERATION**WARNING!**

Before use, check the following items. Concerning items 1-6, always be sure to check them before plugging the power cord into the receptacle.

1. Power source

Ensure that the power source to be utilized conforms to the power requirements specified on the product nameplate.

2. Power switch

Ensure that the power switch is in the OFF position. If the plug is connected to a receptacle while the power switch is in the ON position, the power tool will start operating immediately, which could cause a serious accident.

3. Extension cord

When the work area is removed from the power source, use an extension cord of sufficient thickness and rated capacity. The extension cord should be kept as short as practicable.

CAUTION:

Damaged cord must be replaced or repaired.

4. Preparation and confirmation of working environment.

Check and confirm if the workplace is in proper conditions as mentioned in the general operational precautions item 1.

5. For safety sake, use the provided Allen key to make absolutely sure that the hexagon socket bolt is securely clamped. Use of the unit with the bolt in a loosely clamped condition can result in damage to the unit and cutter as well as accidents.**6. Confirm that the cutter is in sharp condition.**

Make certain that the cutter is in a sharp condition. Continued use of a worn out and deformed cutter with dull edges results in damage to the unit and cutter as well as accidents.

7. Check plug receptacle.

If a receptacle jounces or a plug comes out easily when a power cord is plugged in, the receptacle needs to be repaired. Consult the nearest electric service station for repair. Continued use of the defective receptacle can result in overheating and accidents.

PICTGRAPH ILLUSTRATION AND EXPLANATION

Read handling instructions before use.

Do not use this electric power tool in wet weather conditions.

Begin operation only after ensuring that there are no people within the turning range of the material to be bent.

Never bring your hand close to the cutter during operation.

Avoid any work exceeding the maximum capacities. (Rebar diameter ϕ 13mm.)

If the switch is turned off and then immediately turned on again, the motor may not start. Wait for at least one full second before attempting to turn the motor on again after it has been switched off.

Do not attempt to cut two rebars at one time.

(Bending)

- Close the cover.
- Select the bending angle.
- Place a rebar.
- Pull the trigger.

(Cutting)

- Open the cover.
- Select CUT.
- Place a rebar.
- Pull the trigger.

(Returning Halfway)

- Select RETURN with the dial.
- Pull the trigger.

Refer to the Handling Instructions for details.

HOW TO USE (CUTTING)

WARNING!

- Note that the unit is not a hand held tool. Be absolutely sure to use the unit only after placing it on stable spots such as floor, ground, etc.
- Never bring your hand close to the cutter during operation.
- Never bring your hand close to the reaction stoppers A and B during operation.
- Do not cut any materials other than the rebars. If you attempt to do so, the material can splinter into pieces and scatter.
- Only cut the one piece of rebar at a time. It is impossible to cut more than two pieces at one time, and attempting to do so can damage the unit and blades.
- The bending roller moves even during cutting operation. Never bring your hand close to the bending roller.

1. Normal cutting (Fig. 3.)

- Turn the lever in the direction of the arrow mark and open the cover.
- Set the setting dial all the way clockwise. (Turn the setting dial all the way clockwise.) (Fig. 3.)
- Set the unit in the position shown in Fig. 3.
- Set the rebar to be cut on the lower cutter.

- When the rebar is set, make sure that either the reaction stopper A or B is hitched to the rebar.
- Pull the switch trigger and cut the rebar.

CAUTION

- For the sake of safe operation, this unit is designed so that the switch cannot be inadvertently switched on. When switching the tool on, press the lock button and then pull the switch trigger (Fig. 2). If the switch trigger is pulled without pressing the lock button first, the switch may be damaged. Please use care when switching the tool on.
- Even after the cutting has been completed, continue pulling the switch trigger until the motor starts to run in the reverse direction and the cutter starts to return. If the switch trigger is released too early, the cutter will not return and the trigger will have to be pulled again.

2. Removing the rebar during cutting operation. (Fig. 4.)

If the switch trigger is released in the middle of cutting, the cutter can come to a stop at a halfway position, jamming the rebar in the unit. When this occurs, you can either pull the switch trigger again and cut off the rebar, or you can free the rebar by bringing the upper cutter back up to the home position by carrying out the following procedure. (Fig. 4.)

- Removing (Fig. 5.)
Set the setting dial to the "RETURN" position as shown in Fig. 5. and pull the switch trigger again.

SERVICE LIFE AND REPLACEMENT OF THE CUTTER

1. Service life of cutter (Fig. 6.)

Repeated cutting operation can inevitably wear out the cutter blade and warp and nick blade edges. If the cutter is continuously used with such imperfections, the unit will be subjected to damage and fragments may scatter out from the cutter. As shown in Fig. 5, the cutter is equipped with blades at two spots. Each blade can be used twice by changing the front and back clamp faces. To avoid the use of a worn-out blade with deformed and nicked edges, we recommend that you change the clamp face of the cutter after cutting approximately 2,500 rebars (standard). Otherwise, replace the blades with new ones.

2. Changing cutter's clamp face, and replacing. (Fig. 7.)

- (1) Pull the switch lightly and let the upper cutter move slowly. When the hexagon socket bolt that fixes the upper cutter comes out of the cam cover, turn the switch OFF and stop the motor.
- (2) Unplug the power cord from the receptacle.

3. Removal

WARNING!

- To prevent accidents, always be sure to turn the switch OFF and unplug the power cord from the receptacle.
- If you remove the hexagon socket bolt using the provided Allen key, you can remove the cutter. (Pushing the cutter guard up in the direction of the arrow shown in Fig. 7, facilitates removal of the upper cutter.)

4. Mounting

- (1) Remove dust around the cutter mounting part with a clean soft rag.
- (2) Put the cutter into the mounting part so that the cutter blades (☑) face each other.
- (3) To secure the hexagon socket bolt, clamp it firmly using the Allen key.

HOW TO USE (BENDING)

WARNING!

- Note that the unit is not a hand-held tool. Be absolutely sure to use the unit only after placing it on a stable spots such as floor, ground, etc.
- Never bring your hand close to the bending roller during operation.
- Never bend any materials other than the rebars. If you attempt to do so, the material can splinter into pieces and scatter.
- Two 10 mm rebars can be bent at a time but the 13 mm rebars can only be bent one by one.
- Remember that the cutter moves even during the bending operation, thereby, close the cutter cover without fail.
- Begin operation only after marking sure that there are no people within the turning range of the material to be bent.
- Reserve an extra length of at least 120 mm on the bending length of the rebar to be bent.
If the extra length is not long enough, the rebar can come off during bending operation, or it can break into fragments and scatter dangerously. (Fig. 9.)
- Be sure to set the rebar in the roller correctly. If it protrudes from the roller, the rebar can come off during bending operation and scatter into pieces.

1. Setting bending angles by setting dial.

The bar can be bent according to the angles indicated on the setting dial, as shown in Fig.15.

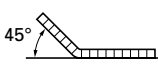
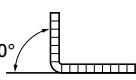
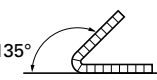
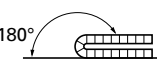
Dial indication	45°	90°	135°	180°
Condition of rebar				

Fig. 15

When bending the 10 mm and 13 mm rebars at the same dial position, the bending angles differ slightly due to the difference in bar diameter. Therefore, even when using the same angle setting, we recommend that you change the position of the dial slightly for the different bar diameters, as illustrated in Fig. 8. You will be able to bend the rebar at an angle that is close to the dial indication of you set the 10 mm rebar nearer to the left of the angle mark and the 13 mm rebar nearer to the right of the angle mark.

NOTE

Even at the same dial setting position, the bending angle can sometimes differ if the diameter or hardness of the rebar is different. Use the angle marks merely as a rough guideline.

2. Ordinary bending.

- (1) Set the unit in the position with the turntable up as shown in Fig. 10.
- (2) Make sure that the cover is closed.
- (3) Set the setting dial at the desired angle.
- (4) Place the rebar on the stopper of the center plate and set it correctly as shown in Fig. 9.
- (5) Pull the switch trigger and bent the rebar.
- (6) Continue pulling the switch trigger until the motor makes reverse rotation and the bending roller starts to return. (Once the bending roller starts to return, it will automatically return all the way to the home position even if the switch trigger is released.)

3. Bending by eye measurement.

Since the unit uses a variable-speed switch, you can bend the rebar to your desired angle by eye measurement in addition to the dial setting.

- (1) Set the setting dial to a larger angle than you desire.
- (2) Pull the switch trigger lightly and bend the rebar slowly.
- (3) When the rebar is bent to the desired angle, stop pulling the switch. If the bar is still small of the desired angle, pull the switch again.
- (4) Remove the rebar after bending has been finished. Then, pull the switch once more and return the bending roller to the home position. (Continue pulling the switch until the bending roller begins reverse rotation.)

4. Removing rebar during bending operation

When bending out at a low speed in "bending by eye measurement", the rebar can sometimes get caught in the bending roller due to its own flexure.

If this occurs, you can return the bending roller to the home position by pulling the switch again after setting the setting dial to the "return" position. This is the same method used to remove the rebar when it gets caught during cutting operation. (Fig. 11).

5. Use of bending angle measuring plate.

In the unit, the cam cover itself is structured as an angle measuring plate that lets you measure the angle of the rebar after bending. Take advantage of this convenience. When viewed from the top as shown in Fig. 12, the point where the marked line and the rebar meet shows the bending angle. (Remember: A different line must be used depending on the bar diameter.)

6. Using hole to fix unit in place.

A hole is provided at the center of the unit to fix and stabilize it. This hole comes in quite handy when used in the following manner. (Fig. 13.)

- For bending operation when the unit is fixed to a work bench.
This hole will prove very convenient when the unit is bolted to a suitable work bench. (Bolt size M10, less than W3/8.)

MAINTENANCE AND INSPECTION

WARNING!

To prevent accidents, always be sure to turn the switch OFF and unplug the power cord from the receptacle.

1. Inspecting the mounting screws:

Regularly inspect all mounting screws and ensure that they are properly tightened. Should any of the screws be loose, retighten them immediately. Failure to do so could result in serious hazard.

2. Maintenance of the motor

The motor unit winding is the very "heart" of the power tool. Exercise due care to ensure the winding does not become damaged and/or wet with oil or water.

3. Inspecting the carbon brushes (Fig. 14)

The motor employs carbon brushes which are consumable parts. Since an excessively worn carbon brush can result in motor trouble, replace the carbon brushes with new ones which have the same carbon brush No. shown in the figure when they become worn to or near the "wear limit". In addition, always

keep carbon brushes clean and ensure that they slide freely within the brush holders.

4. Replacing carbon brushes. (Fig. 13, Fig. 14)

Loosen the set screws and remove the tail cover. Remove the brush caps and carbon brushes. After replacing the carbon brushes, do not forget to tighten the brush caps securely and to mount the tail cover with set screws.

NOTE

Due to HITACHI's continuing program of research and development, the specifications herein are subject to change without prior notice.

IMPORTANT

Correct connection of the plug

The wires of the main lead are coloured in accordance with the following code:

Blue: -Neutral

Brown: -Live

As the colours of the wires in the main lead of this tool may not correspond with the coloured markings identifying the terminals in your plug proceed as follows: The wire coloured blue must be connected to the terminal marked with the letter N or coloured black. The wire coloured brown must be connected to the terminal marked with the letter L or coloured red. Neither core must be connected to the earth terminal.

NOTE

This requirement is provided according to BRITISH STANDARD 2769: 1984.

Therefore, the letter code and colour code may not be applicable to other markets except The United Kingdom.

Information concerning airborne noise and vibration

The measured values were determined according to EN610029.

The typical A-weighted sound pressure level: 72 dB (A).

Wear ear protection.

The typical weighted root mean square acceleration value does not exceed 2.5 m/s²

ALLGEMEINE VORSICHTSMASSNAHMEN

WARNUNG! Bei der Verwendung von Elektrowerkzeugen müssen immer die grundlegenden Vorsichtsmaßnahmen befolgt werden, um das Risiko von Feuer, elektrischem Schlag und persönlicher Verletzung und den nachfolgenden Punkten zu vermeiden. Lesen Sie diese Anweisungen völlig, bevor Sie dieses Erzeugnis verwenden, und bewahren Sie diese Anweisungen auf.

Für sicheren Betrieb:

1. Der Arbeitsplatz sollte sauber gehalten werden. Unaufgeräumte Arbeitsplätze und Werkbänke erhöhen die Unfallgefahr.
2. Die Betriebsbedingungen beachten. Elektrowerkzeuge sollten nicht dem Regen ausgesetzt werden. Ebenfalls sollten Sie nicht an feuchten oder nassen Plätzen gebraucht werden. Der Arbeitsplatz sollte gut beleuchtet sein. Verwenden Sie Elektrowerkzeuge nicht an Orten, an denen die Gefahr von Feuer oder Explosion besteht.
3. Schutzmaßnahmen gegen elektrische Schläge treffen. Darauf achten, daß das Gehäuse nicht in Kontakt mit geerdeten Flächen kommt, z. (z.B. Rohre, Radiatoren, Elektroherde, Kühlschränke).
4. Kinder sollten vom Gerät ferngehalten werden. Vermeiden, daß andere Personen mit dem Werkzeug oder Verlängerungskabel in Kontakt kommen.
5. Nicht benutzte Werkzeuge sollten sicher aufbewahrt werden. Sie sollten an einem trockenen und verschließbaren Ort aufbewahrt werden, damit Kinder sie nicht in die Hände bekommen.
6. Werkzeuge sollten nicht mit übermäßiger Gewalt verwendet werden. Ihre Leistung ist besser und sicherer, wenn sie mit der vorgeschriebenen Geschwindigkeit verwendet werden.
7. Nur die korrekten Werkzeuge verwenden. Niemals ein kleineres Werkzeug oder Zusatzgerät für Arbeiten verwenden, die Hochleistungsgeräte erfordern. Nur Werkzeuge verwenden, die dem Verwendungszweck entsprechen, d.h. niemals eine Kreissäge zum Sägen von Ästen oder Baumstämmen verwenden.
8. Die richtige Kleidung tragen. Keine lose Kleidung oder Schmuck tragen, da sich lose Kleidungsstücke in den bewegenden Teilen verfangen können. Bei Arbeiten im Freien sollten Gummihandschuhe und rutschfeste Schuhe getragen werden.
9. Es sollte eine Sicherheitsbrille getragen werden. Bei Arbeiten mit Staubentwicklung sollte eine Gesichts- oder Staubmaske getragen werden.
10. Schließen Sie eine Staubabsaugvorrichtung an. Wenn Vorrichtungen für den Anschluß von Staubabsaug- und -sammelvorrichtungen vorhanden sind, so stellen Sie sicher, daß diese angeschlossen sind und richtig verwendet werden.
11. Niemals das Kabel mißbrauchen. Ein Werkzeug niemals am Kabel tragen oder bei Abtrennung von der Steckdose das Kabel herausreißen. Das Kabel sollte gegen Hitze, Öl und scharfe Kanten geschützt werden.

12. Den Arbeitsplatz gut absichern. Zwingen oder einen Schraubstock zur Befestigung des Werkstücks verwenden. Das ist sicherer als die Benutzung der Hände und macht beide Hände zur Bedienung des Werkzeugs frei.
13. Sich niemals weit überbeugen. Immer einen festen Stand und ein sicheres Gleichgewicht bewahren.
14. Die Werkzeuge sollten sorgfältig behandelt werden. Für einen einwandfreien und sicheren Betrieb sollten sie stets scharf sein und saubergehalten werden. Die Anleitungen für Schmierung und Austausch des Zuehørs unbedingt einhalten. Die Kabel der Geräte regelmäßig überprüfen und bei Beschädigung durch eine autorisierte Kundendienststelle reparieren lassen. Ebenfalls die Verlängerungskabel regelmäßig überprüfen und bei Beschädigung austauschen. Die Handgriffe sollten stets trocken und sauber sein, sowie keine Öl- oder Schmierfett stellen aufweisen.
15. Werkzeuge vom Netz trennen, wenn sie nicht benutzt werden, vor Wartungsarbeiten und beim Austausch von Zubehörteilen wie z.B. Blätter, Bohrer und Messer.
16. Alle Stellkeile und Schraubenschlüssel entfernen. Vor Einschaltung des Gerätes darauf achten, daß alle Stellkeile und Schraubenschlüssel entfernt worden sind.
17. Ein unbeabsichtigtes Einschalten sollte vermieden werden. Niemals ein angeschlossenes Werkzeug mit dem Finger am Schalter tragen. Vor Anschluß überprüfen, ob das Gerät ausgeschaltet ist.
18. Im Freien ein Verlängerungskabel verwenden. Nur ein Verlängerungskabel verwenden, das für die Verwendung im Freien markiert ist.
19. Den Arbeitsvorgang immer unter Kontrolle haben. Das Gerät niemals in einem abgespannten Zustand verwenden.
20. Beschädigte Teile überprüfen. Vor Benutzung des Werkzeugs sollten beschädigte Teile oder Schutzvorrichtungen sorgfältig überprüft werden, um festzustellen, ob sie einwandfrei funktionieren und die vorgesehene Funktion erfüllen, Ausrichtung, Verbindungen sowie Anbringung sich bewegender Teile überprüfen. Ebenfalls überprüfen, ob Teile gebrochen sind. Teile oder Schutzvorrichtungen, die beschädigt sind, sollten, wenn in dieser Bedienungsanleitung nichts anderes erwähnt ist, durch eine autorisierte Kundendienststelle ausgetauscht oder repariert werden. Dasselbe gilt für defekte Schalter. Wenn sich das Werkzeug nicht mit dem Schalter ein- oder ausschalten läßt, sollte das Werkzeug nicht verwendet werden.
21. Warnung Die Verwendung von anderem Zubehör oder anderen Zusätzen als in dieser Bedienungsanleitung empfohlen kann das Risiko einer Körperverletzung einschließen.
22. Lassen Sie Ihr Werkzeug durch qualifiziertes Personal reparieren. Dieses Elektrowerkzeug entspricht den zutreffenden Sicherheitsanforderungen. Reparaturen sollten nur von qualifiziertem Personal unter Verwendung von Originalersatzteilen durchgeführt werden, da sonst beträchtliche Gefahr für den Benutzer auftreten kann.

VORSICHTSHINWEISE FÜR DIE VERWENDUNG DER BAUSTAHL-BIEGE- UND TRENNMASCHINE

WARNUNG!

1. Verwenden Sie die Maschine nur mit der auf dem Typenschild angegebenen Nennspannung. Verwendung der Maschine mit einer Spannung über der auf dem Typenschild angegebenen Spannung kann zu gefährlich hohen Drehzahlen und Verletzungen führen.
2. Vermeiden Sie Arbeiten, welche die in den technischen Daten angegebene maximale Kapazität der Maschine überschreiten. Führen Sie niemals Schneiden bzw. Biegen von harten Materialien wie z.B. Baustahl für Betonfertigteile usw. durch. Solche Materialien können zersplittern und Verletzungen verursachen.
3. Wenn die Maschine während des Betriebs nicht richtig funktioniert oder ungewöhnliche Geräusche verursacht, so schalten Sie sofort den Schalter aus und halten Sie den Betrieb an. Wenden Sie sich an das Geschäft, in dem Sie die Maschine gekauft haben, oder an ein autorisiertes Hitachi-Kundendienstzentrum und bitten Sie um Überprüfung bzw. Reparatur. Verwendung der Maschine ohne Überprüfung und Reparatur kann Verletzungen verursachen.

4. Stellen Sie unbedingt sicher, daß die Schneidabdeckung geschlossen ist, wenn Sie keine Schneidarbeit durchführen. Wenn die Abdeckung offen ist, können sich die Klingen an Fremdkörpern verfangen und schwere Unfälle verursachen. **(Abb. 1)**
5. Lassen Sie Ihre Hand bei der Betätigung von Schaltern niemals in der Nähe der Scheiden, des Reaktionsanschlags oder der Biegerolle. Wenn Sie Ihre Hand in die Nähe dieser Teile bringen, kann es zu schweren Verletzungen kommen.
6. Wenn Sie die Maschine versehentlich fallen lassen oder gegen etwas schlagen lassen, so untersuchen Sie die Maschine gründlich, und stellen Sie sicher, daß an den Klingen und anderen Teilen keine Beschädigungen, Risse oder Verformungen vorhanden sind.

VORSICHTSHINWEISE:

- Installieren Sie die Klingen und das Zubehör sicher entsprechend den Anweisungen. Wenn Sie diese nicht richtig installieren, können sie sich lösen und Verletzungen verursachen.
- Achten Sie darauf, den Stecker des Netzkabels aus der Steckdose zu ziehen, wenn die Klingen überprüft, gereinigt oder ausgewechselt werden. Anderenfalls kann es zu schweren Verletzungen kommen.

TECHNISCHE DATEN

Spannung	230 V ~	
Leistungsaufnahme	285 W	
Kapazität	(1) Material: Baustahl (Grade 460 (England), BST 500 (Deutschland), B500 (Spanien) und entsprechendes Material) (2) Materialdurchmesser: 8 bis 13 mm	
Anzahl der Stücke, die gleichzeitig verarbeitet werden können	Klingen	Biegen
	10 mm - 1 Stück	10 mm - 2 Stück
	13 mm - 1 Stück	13 mm - 1 Stück
Gewicht	11,5 kg (ohne Kabel)	

STANDARDZUBEHÖR

- (1) Steckschlüssel (für M5 Innensechskantschraube) 1 (an der Maschine angebracht)
- (2) Ein Satz Klingen 1 (an der Maschine angebracht)

ANWENDUNGSGEBIETE

- (1) Schneiden von Baustahl
- (2) Biegen von Baustahl

VOR INBETRIEBNAHME

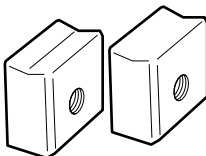
WARNUNG!

Überprüfen Sie vor der Verwendung die folgenden Punkte. Überprüfen Sie die Punkte 1 bis 6 jeweils vor dem Anschluß des Netzkabels an die Steckdose.

- 1. Netzspannung**
Prüfen Sie, daß die zu verwendende Netzspannung der Angabe auf dem Typenschild entspricht.
- 2. Netzschalter**
Prüfen Sie, daß der Netzschalter auf "AUS" steht. Wenn der Stecker an das Netz angeschlossen wird, während der Schalter auf "EIN" steht, beginnt das Werkzeug sofort zu laufen, was gefährlich ist.

SONDERZUBEHÖR (separat zu beziehen)

- Klingen
* Ein Satz besteht aus zwei Klingen



3. Verlängerungskabel

Wenn der Arbeitsbereich nicht in der Nähe des Netzanschlusses liegt, ist ein Verlängerungskabel ausreichenden Querschnitts und ausreichender Nennleistung zu verwenden. Das Verlängerungskabel sollte so kurz wie möglich gehalten werden.

4. Vorbereitungen und Bestätigung der Arbeitsumwelt

Überprüfen Sie die Arbeitsumwelt, und bestätigen Sie, daß die in Punkt 1 der allgemeinen Vorsichtshinweise für den Betrieb angeführten Bedingungen erfüllt sind.

5. Verwenden Sie zur Sicherheit den mitgelieferten Steckschlüssel, um absolut sicherzustellen, daß die Sechskantschraube sicher angezogen ist. Verwendung der Maschine mit nur locker angezogener Schraube kann Beschädigung der Maschine und der Klingen, sowie Unfälle verursachen.

6. Bestätigen Sie, daß die Klingen scharf sind.

Stellen Sie sicher, daß die Klingen in scharfem Zustand sind. Fortgesetzte Verwendung von abgenutzten Klingen mit stumpfen Kanten kann Beschädigung der Maschine und der Klingen, sowie Unfälle verursachen.

7. Überprüfen Sie die Steckdose.

Wenn die Steckdose beim Einschieben des Steckers wackelt, oder wenn der Stecker sich leicht aus der Steckdose löst, so muß die Steckdose repariert werden. Wenden Sie sich für die Reparatur an das nächste Elektrogeschäft. Fortgesetzte Verwendung einer defekten Steckdose kann Überhitzung und Unfälle verursachen.

ERKLÄRUNG DER PIKTOGRAMME

Vor der Verwendung die Bedienungsanleitung lesen.

Dieses Elektrowerkzeug nicht bei nassen Wetterbedingungen verwenden.

Etwa eine Sekunde warten, und dann den Motor wieder einschalten. Nach dem Ausschalten kann der Motor möglicherweise nicht sofort eingeschaltet werden.

Beginnen Sie mit dem Betrieb erst, nachdem Sie sichergestellt haben, daß sich keine Personen im Drehbereich des zu biegenden Materials aufhalten.

Nicht zwei Stäbe gleichzeitig schneiden.

Bringen Sie Ihre Hand während des Betriebs niemals in die Nähe der Klingen.

Vermeiden Sie Arbeit, welche die maximale Kapazität der Maschine überschreitet. (Baustahldurchmesser: 13 mm)

Biegen:

- ① Schließen Sie die Abdeckung.
- ② Wählen Sie den Biegewinkel.
- ③ Legen Sie einen Baustahlstab ein.
- ④ Betätigen Sie den Druckschalter.

Schneiden:

- ① Öffnen Sie die Abdeckung.
- ② Wählen Sie Schneiden (CUT).
- ③ Legen Sie einen Baustahlstab ein.
- ④ Betätigen Sie den Druckschalter.

Halbe Rückkehr:

- ① Wählen Sie Rückkehr (RETURN) mit der Skala.
- ② Betätigen Sie den Druckschalter.

Beziehen Sie sich für Einzelheiten auf die Bedienungsanleitung.

VERWENDUNG FÜR SCHNEIDEN

WARNUNG!

- Bitte beachten Sie, daß die Maschine kein Handwerkzeug ist. Verwenden Sie die Maschine nur nach dem Abstellen auf eine stabile Unterlage, wie z.B. Fußboden, Erdboden usw.
- Bringen Sie Ihre Hand während des Betriebs niemals in die Nähe der Klingen.

- Bringen Sie Ihre Hand während des Betriebs niemals in die Nähe der Reaktionsanschläge A und B.
- Schneiden Sie kein anderes Material als Baustahl. Anderes Material kann zersplittern und herumfliegen.
- Schneiden Sie nur jeweils einen Baustahlstab. Es ist nicht möglich, zwei Stäbe gleichzeitig zu schneiden, und der Versuch kann die Maschine und die Klingen beschädigen.
- Die Biegerolle bewegt sich auch beim Schneiden. Bringen Sie niemals Ihre Hand in die Nähe der Biegerolle.

1. Normales Schneiden (Abb. 3)

- (1) Drehen Sie den Hebel in Richtung der Pfeilmarkierung und öffnen Sie die Abdeckung.
- (2) Stellen Sie die Einstellskala auf die Schneidposition (CUT). (Drehen Sie die Einstellskala bis zum Anschlag im Uhrzeigersinn.) (Abb. 3)
- (3) Stellen Sie die Maschine wie in **Abb. 3** gezeigt auf.
- (4) Legen Sie den zu schneidenden Baustahl auf die untere Klinge.
- (5) Wenn der Baustahl eingelegt ist, so stellen Sie sicher, daß der Reaktionsanschlag A oder der Reaktionsanschlag B am Baustahl anliegt.
- (6) Betätigen Sie den Druckschalter und schneiden Sie den Baustahl.

ACHTUNG

- Aus Gründen der Betriebssicherheit ist diese Ausrüstung so entworfen, daß der Schalter nicht versehentlich eingeschaltet werden kann. Drücken Sie beim Einschalten des Gerätes den Verriegelungsknopf und ziehen Sie dann am Druckschalter (**Abb. 2**). Wenn der Druckschalter gezogen wird, ohne daß zuerst der Verriegelungsknopf gedrückt worden ist, so kann der Schalter beschädigt werden. Bitte lassen Sie beim Einschalten des Werkzeugs Sorgfalt walten.
- Selbst nach beendetem Schneiden den Druckschalter nicht loslassen, bis der Motor in entgegengesetzter Richtung läuft und die Klinge mit der Rückkehr beginnt. Wenn der Druckschalter zu früh losgelassen wird, so kehrt die Klinge nicht zurück und der Druckschalter muß noch einmal betätigt werden.

2. Entfernen des Baustahls während des Schneidbetriebs (Abb. 4)

- Wenn der Druckschalter während des Schneidens losgelassen wird, kann die Klinge auf halbem Weg anhalten und den Baustahl in der Maschine blockieren. Wenn dies eintritt, können Sie entweder den Druckschalter erneut betätigen und den Baustahl durchschneiden, oder Sie können den Baustahl freigeben, indem Sie die obere Klinge mit dem obigen Verfahren zur Ausgangsposition bringen (**Abb. 4**).
- Entfernen (**Abb. 5**) Stellen Sie die Einstellskala wie in **Abb. 5** gezeigt auf die Rückkehrposition (RETURN), und betätigen Sie den Druckschalter erneut.

STANDZEIT UND AUSWECHSELN DER KLINGEN

1. Standzeit der Klingen (Abb. 6)

Durch wiederholtes Schneiden kommt es unvermeidlicherweise zu Verschleiß der Klingen und Verformung der Schneiden. Wenn die Maschine fortgesetzt mit solchen Fehlern verwendet wird, so kann es zu Beschädigung der Maschine und Abbrechen von Fragmenten der Klingen kommen. Wie in **Abb. 5** gezeigt, hat die Maschine zwei Klingen. Jede Klinge kann zweimal verwendet werden, indem sie umgekehrt eingespannt wird. Zur Verhütung der Verwendung abgenutzter Klingen mit verformten und beschädigten Schneiden empfehlen wir, daß Sie die Klingen nach Schneiden von etwa 2.500 Stäben (Standard) umgekehrt einspannen oder die Klingen durch neue ersetzen.

2. Umgekehrtes Einspannen der Klingen und Auswechseln (Abb. 7)

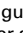
- (1) Betätigen Sie den Druckschalter leicht und lassen Sie die obere Klinge sich leicht bewegen. Lassen Sie den Schalter los und halten Sie den Motor an, wenn die Innensechskantschraube, mit der die obere Klinge befestigt ist, aus der Nockenabdeckung herauskommt.
- (2) Ziehen Sie den Netzstecker aus der Steckdose.

3. Entfernen

WARNUNG!

- Achten Sie zur Verhütung von Unfällen immer darauf, den Schalter auszuschalten und den Stecker aus der Steckdose zu ziehen.
- Wenn Sie die Innensechskantschraube mit dem mitgelieferten Steckschlüssel entfernen, können Sie die Klinge entfernen. (Drücken des Klingenschutzes nach oben in der in **Abb. 7** gezeigten Pfeilrichtung erleichtert die Entfernung der oberen Klinge.)

4. Anbringung

- (1) Entfernen Sie den Staub um den Klingenanbringungsteil mit einem sauberen, weichen Lappen.
- (2) Setzen Sie die Klinge so in den Anbringungsteil, daß die Klingenschneiden () aufeinander ausgerichtet sind.
- (3) Sichern Sie die Klinge durch festes Anziehen der Innensechskantschraube mit dem Steckschlüssel.

VERWENDUNG (BIEGEN)

WARNUNG!

- Bitte beachten Sie, daß die Maschine kein Handwerkzeug ist. Verwenden Sie die Maschine nur nach dem Abstellen auf eine stabile Unterlage, wie z.B. Fußboden, Erdboden usw.
 - Bringen Sie Ihre Hand während des Betriebs niemals in die Nähe der Biegerolle.
 - Biegen Sie kein anderes Material als Baustahl. Anderes Material kann zersplittern und herumfliegen.
 - Zwei 10-mm-Baustahlstäbe können gleichzeitig gebogen werden, aber 13-mm-Baustahl kann nur einzeln gebogen werden.
 - Bitte denken Sie daran, daß sich die Klinge auch beim Biegen bewegt, und schließen Sie deshalb unbedingt die Klingenabdeckung.
 - Beginnen Sie mit dem Betrieb erst, nachdem Sie sichergestellt haben, daß sich keine Personen im Drehbereich des zu biegenden Materials aufhalten.
 - Sorgen Sie für eine Zusatzlänge von mindestens 120 mm für die Biegelänge des zu biegenden Baustahls. Wenn die Zusatzlänge nicht lang genug ist, kann sich der Baustahl während des Biegens lösen, oder er kann in Fragmente zerbrechen, die gefährlich herumfliegen können (**Abb. 9**).
 - Achten Sie darauf, den Baustahl richtig in die Rolle einzusetzen. Wenn der Baustahl über die Rolle hervorsteht, kann es sich beim Biegen aus der Rolle lösen und zersplittern.
- ### 1. Einstellen des Biegewinkels mit der Einstellskala
- Der Baustahl kann wie in **Abb. 15** gezeigt entsprechend den auf der Einstellskala gezeigten Winkeln gebogen werden.

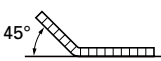
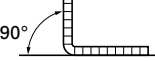
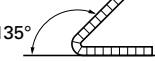
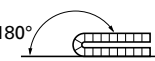
Skalanzeige	45°	90°	135°	180°
Zustand des Baustahls				

Abb. 15

Beim Biegen von 10 mm- und 13 mm-Baustahl mit der gleichen Skalenposition unterscheidet sich der Biegewinkel etwas wegen des Unterschieds im Baustahldurchmesser. Wir empfehlen deshalb, auch bei Verwendung der gleichen Winklereinstellung, daß Sie die Skalenposition entsprechend dem Baustahldurchmesser wie in **Abb. 8** gezeigt etwas ändern.

Sie können den Baustahl in einem Winkel nahe der Skalanzeige biegen, wenn Sie 10-mm-Baustahl näher an der linken Winklereinstellung und 13-mm-Baustahl näher an der rechten Winklereinstellung einlegen.

HINWEIS

Selbst bei der gleichen Skaleneinstellung kann sich der Biegewinkel manchmal wegen Unterschieden im Durchmesser oder in der Härte des Baustahls unterscheiden. Verwenden Sie die Winklereinstellungen nur als groben Anhalt.

2. Normales Biegen

- (1) Stellen Sie die Maschine wie in **Abb. 10** gezeigt mit dem Drehtisch nach oben auf.
- (2) Stellen Sie sicher, daß die Abdeckung geschlossen ist.
- (3) Stellen Sie die Einstellskala auf den gewünschten Winkel.
- (4) Setzen Sie den Baustahl auf den Anschlag der Mittelplatte, und richten Sie ihn wie in **Abb. 9** gezeigt richtig aus.
- (5) Betätigen Sie den Druckschalter und biegen Sie den Baustahl.
- (6) Lassen Sie den Druckschalter nicht los, bis der Motor in umgekehrter Richtung läuft und die Biegerolle mit der Rückkehr beginnt. (Sobald die Biegerolle mit der Rückkehr beginnt, kehrt sie automatisch zur Ausgangsposition zurück, auch wenn der Druckschalter losgelassen wird.)

3. Biegen nach Augenmaß

Da die Maschinen einen Schalter mit variabler Geschwindigkeit verwendet, können Sie zusätzlich zur Skaleneinstellung den Baustahl nach Augenmaß zu einem gewünschten Winkel biegen.

- (1) Stellen Sie die Einstellskala auf einen größeren als den gewünschten Winkel ein.
- (2) Betätigen Sie den Druckschalter vorsichtig und biegen Sie den Baustahl langsam.
- (3) Lassen Sie den Druckschalter los, wenn der Baustahl zum gewünschten Winkel gebogen worden ist. Wenn der gewünschte Winkel noch nicht erreicht worden ist, so betätigen Sie den Druckschalter erneut.
- (4) Entfernen Sie den Baustahl nach beendigem Biegen. Betätigen Sie dann den Druckschalter erneut, um die Biegerolle zur Ausgangsposition zurückzubringen.

(Betätigen Sie den Druckschalter, bis die Biegerolle mit der Rückkehr beginnt.)

4. Entfernen des Baustahls während des Biegens

Beim Biegen des Baustahls mit niedriger Geschwindigkeit "nach Augenmaß" kann sich der Baustahl manchmal durch seine eigene Biegung in der Biegerolle verfangen.

Wenn dies eintritt, können Sie die Biegerolle zur Ausgangsposition zurückbringen, indem Sie die Einstellskala auf die Rückkehrposition (RETURN) stellen und den Druckschalter erneut betätigen. Dies ist die gleiche Methode wie zum Entfernen des Baustahls beim Schneiden (**Abb. 11**).

5. Verwendung der Meßplatte für den Biegewinkel

In der Maschine ist die Nockenabdeckung selbst als eine Winkelmeßplatte ausgebildet, mit der Sie den Winkel des Baustahls nach dem Biegen messen können. Bitte machen Sie hiervon Gebrauch.

Bei Ansicht von oben, wie in **Abb. 12** gezeigt, zeigt der Punkt, an dem sich die markierte Linie und der Baustahl treffen, den Biegewinkel an. (Bitte beachten: Je nach dem Baustahldurchmesser müssen verschiedene Linien verwendet werden.)

6. Verwendung des Lochs zum Fixieren der Maschine

In der Mitte der Maschine ist ein Loch zum Fixieren und Stabilisieren der Maschine vorhanden. Dieses Loch kann auf die folgende Weise vorteilhaft verwendet werden. (**Abb. 13**)

- Für Biegebetrieb bei Befestigung der Maschine auf einer Werkbank
Dieses Loch kann bequem zum Festschrauben der Maschine auf einer angemessenen Werkbank verwendet werden. (Schraubengröße: M10, weniger als W3/8)

WARTUNG UND INSPEKTION

WARTUNG!

Achten Sie zur Verhütung von Unfällen immer darauf, den Schalter auszuschalten und den Stecker aus der Steckdose zu ziehen.

1. Inspektion der Befestigungsschrauben

Alle Befestigungsschrauben müssen regelmäßig inspiziert und geprüft werden, ob sie gut angezogen sind. Wenn sich eine der Schrauben lockert, muß sie sofort wieder angezogen werden. Geschieht dies nicht, kann das zu erheblichen Gefahren führen.

2. Wartung des Motors:

Die Motorwicklung ist das "Herz" des Elektrowerkzeugs. Daher ist besonders sorgfältig darauf zu achten, daß die Wicklung nicht beschädigt wird und nicht mit Öl oder Wasser in Berührung kommt.

3. Inspektion der Kohlebürsten (Abb. 14)

Im Motor sind Kohlebürsten verwendet, die Verbrauchsteile sind. Übermäßig abgenutzte Kohlebürsten führen zu Motorproblemen. Deshalb wird eine Kohlebürste durch eine neue ersetzt, die dieselbe Nummer trägt wie auf der Abbildung gezeigt, wenn sie teilweise oder ganz verbraucht ist. Darüber hinaus müssen die Kohlebürsten immer sauber gehalten werden und müssen sich immer in der Halterung frei bewegen können.

4. Auswechseln der Kohlebürsten (Abb. 13, Abb. 14)

Lösen Sie die Stellschrauben und entfernen Sie die hintere Abdeckung. Entfernen Sie die Bürstenkappen und die Kohlebürsten. Vergessen Sie nach dem Auswechseln der Kohlebürsten nicht, die Bürstenkappen sicher anzuziehen und die hintere Abdeckung mit den Stellschrauben anzubringen.

ANMERKUNG

Aufgrund des ständigen Forschungs- und Entwicklungsprogramms von HITACHI sind Änderungen der hierin gemachten technischen Angaben nicht ausgeschlossen.

Information über Betriebslärm und Vibration

Die Meßwerte wurden entsprechend EN610029 bestimmt.

Der typische A-gewichtete Schalldruck ist 72 dB (A).
Bei der Arbeit immer einen Ohrenschutz tragen.

Der typische gewichtete Effektiv-Beschleunigungswert überschreitet nicht 2,5 m/s².

PRECAUTIONS GENERALES DE TRAVAIL

ATTENTION! Lors de l'utilisation d'un outillage électrique, les précautions de base doivent être respectées de manière à réduire les risques d'incendie, de secousse électrique et de blessure corporelle, y compris les précautions suivantes.

Lire ces instructions avant d'utiliser le produit et conserver ces instructions pour référence.

Pour assurer un fonctionnement sûr:

1. Maintenir l'aire de travail propre. Des ateliers ou des établis en désordre risquent de provoquer des accidents.
2. Tenir compte de l'environnement de l'aire de travail. Ne pas exposer les outils électriques à la pluie. Ne pas les utiliser dans des endroits humides. Travailler dans un endroit bien éclairé. Ne pas utiliser d'outillage électrique s'il existe un risque d'incendie ou d'explosion.
3. Protection contre une décharge électrique. Eviter tout contact corporel avec des surfaces de mise à la terre telles que les tuyaux, radiateurs, cuisinières et réfrigérateurs.
4. Tenir les enfants éloignés. Ne pas laisser les visiteurs toucher l'outil ou son cordon d'alimentation. Il est préférable de tenir les visiteurs à l'écart de l'aire de travail.
5. Ranger les outils non utilisés. Quand on ne les utilise pas, il est recommandé de ranger les outils dans un endroit sec, verrouillé ou hors de portée des enfants.
6. Ne pas forcer l'outil. Il fonctionnera mieux et plus sûrement à la vitesse pour laquelle il a été conçu.
7. Utiliser l'outil approprié. Ne pas essayer de faire avec un petit outil le travail prévu pour un outil plus important. Toujours utiliser l'outil adéquat; par exemple, ne pas se servir d'une scie circulaire pour couper des branches d'arbres ou des billots de bois.
8. Porter des vêtements appropriés. Ne pas mettre de vêtements flottants ou de bijoux qui risquent d'être pris dans les pièces mobiles. Si l'on travaille à l'extérieur, il est recommandé de porter des gants de caoutchouc et des chaussures à semelles antidérapantes. Veiller à s'attacher les cheveux ou à mettre un bonnet si on a les cheveux longs.
9. Porter des lunettes protectrices. Mettre un masque si l'opération de coupe crée de la poussière.
10. Relier l'équipement d'extraction de poussière. Si des dispositifs sont prévus pour le raccordement d'installations d'extraction et de collection de poussière, s'assurer qu'ils sont correctement raccordés et utilisés.
11. Prendre soin du fil. Ne jamais transporter l'outil en le tenant par le fil et ne pas le débrancher en tirant sur le fil d'un coup sec. Tenir le fil à l'abri de la chaleur, l'éloigner de l'huile ou des bords tranchants.
12. Fixer fermement la pièce à travailler. Utiliser des agrafes ou un étai pour la maintenir. Ceci est plus sûr que d'utiliser ses mains et cela les libère pour faire fonctionner l'outil.
13. Ne pas présumer de ses forces. Essayer de garder son équilibre en toute circonstance.

14. Entretien des outils avec soin. Les conserver bien aiguisés et les nettoyer afin d'en obtenir les meilleures performances et de pouvoir les utiliser sans danger. Suivre les instructions pour le graissage et le changement des accessoires. Vérifier régulièrement les fils et cordons et s'ils sont endommagés, les faire réparer par une personne compétente. Vérifier régulièrement les rallonges et les remplacer si elles sont endommagées. Veiller à ce que les poignées soient toujours sèches et propres, sans huile ni graisse.
15. Débrancher les outils lorsqu'on ne les utilise pas, avant toute opération d'entretien et lors du changement d'accessoire, comme par exemple quand on change les lames, les forets, le fraises, etc.
16. Retirer les clés de réglage. Prendre l'habitude de toujours vérifier que les clés de réglage sont bien retirées de l'appareil avant de le mettre en marche.
17. Eviter toute mise en marche accidentelle. Ne pas transporter l'outil branché avec un doigt sur l'interrupteur. S'assurer que l'interrupteur est sur la position d'arrêt quand on branche l'outil.
18. Utilisation de rallonges à l'extérieur. Quand on utilise l'outil à l'extérieur, ne se servir que des rallonges prévues pour l'extérieur et portant une marque distinctive.
19. Etre vigilant. Regardez bien ce que vous faites. Faites appel à votre bon sens. N'utilisez pas l'outil quand vous êtes fatigué.
20. Vérifier les pièces endommagées. Avant d'utiliser davantage l'outil, vérifier attentivement toute pièce endommagée afin de déterminer si l'outil peut fonctionner correctement et effectuer le travail pour lequel il est prévu. Vérifier l'alignement et la flexion des pièces mobiles, la cassure des pièces, le montage et toute autre condition risquant d'affecter le bon fonctionnement de l'outil. Un protecteur ou toute autre pièce endommagée devra être correctement réparé ou remplacé par un service d'entretien autorisé, sauf autre indication dans ce mode d'emploi. Faire remplacer les interrupteurs défectueux par un service d'entretien autorisé. Ne pas utiliser l'outil si l'interrupteur ne permet pas de le mettre en marche ou de l'arrêter.
21. Précaution
L'utilisation d'un accessoire ou dispositif annexe autre que ceux conseillés dans ce mode d'emploi peut entraîner un risque de blessure corporelle.
22. Confier la réparation de l'outil à un technicien qualifié. Cet outil électrique a été conçu conformément aux règles de sécurité en usage. Les réparations doivent être effectuées par un personnel qualifié utilisant des pièces d'origine. Dans le cas contraire, l'utilisateur s'expose à des risques graves.

PRÉCAUTIONS D'UTILISATION DE LA CISAILLE/CINTREUSE PORTATIVE POUR BARRES BÉTON

AVERTISSEMENT !

1. Bien utiliser l'outil à la tension nominale spécifiée sur la plaque signalétique. Le fait d'utiliser l'outil à une tension dépassant les spécifications de la plaque signalétique risque de provoquer un vitesse de rotation dangereusement élevée et des blessures.

- Eviter tout travail dépassant les capacités maximales de l'outil données dans les spécifications. Ne jamais couper ni cintrer un matériau dur, par exemple du béton préfabriqué (PC), acier, etc. Ce genre de matériaux risque de se fendre en éclats et de provoquer des blessures
- Si l'outil ne fonctionne pas correctement pendant le travail ou si l'on entend un bruit anormal, couper immédiatement l'interrupteur et cesser le travail. Contacter le magasin où l'on a acheté l'outil ou un service après-vente agréé Hitachi pour le faire vérifier et/ou réparer. L'on risque de se blesser si l'on utilise l'outil sans l'avoir fait vérifier et réparer.
- Vérifier impérativement que le couvercle du couteau est refermé lorsqu'on ne se sert pas de l'outil pour un travail de coupe. Si le couvercle reste ouvert, le couteau risque de se coincer dans des corps étrangers et de provoquer des blessures graves. (Fig. 1)
- Lors de l'action des interrupteurs, ne jamais approcher les mains du couteau, de la butée de réaction ni du rouleau de cintrage. L'on pourrait se blesser grièvement.
- Si l'on fait tomber l'outil on qu'on le heurte accidentellement, l'examiner attentivement pour s'assurer qu'il n'y a pas de dommages, fissures, ni déformations sur le couteau et sur l'outil.

ATTENTION :

- Installer solidement le couteau et les accessoires, en suivant les instructions du mode d'emploi. Si on ne les installe pas correctement, ils risquent de se détacher et de provoquer des blessures.
- Bien débrancher le cordon d'alimentation de la prise secteur lors de la vérification, du nettoyage et du remplacement du couteau. Sinon, l'on risque de se blesser grièvement.

SPÉCIFICATIONS

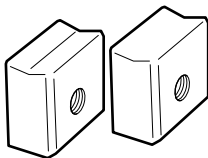
Tension	230 V ~	
Puissance	285 W	
Capacités	(1) Matériau: Barre béton: Grade 460 (Angleterre), BST 500 (Allemagne) et B500 (Espagne) (2) Diamètre du matériau : 8 – 13 mm	
Nombre de pièces qu'il est possible de traiter à la fois	Coupe	Cintrage
	1 pièce de 10 mm 1 pièce de 13 mm	2 pièces de 10 mm 1 pièce de 13 mm
Poids	11,5 kg (sans le cordon)	

ACCESSOIRES STANDARD

- Clé Allen (pour boulon à douille hexagonale M5)
..... 1 (fixée à l'outil)
- Un jeu de couteaux 1 (fixé à l'outil)

ACCESSOIRES EN OPTION (vendus séparément)

- Couteau
* Un jeu renfermant 2 pièces



APPLICATIONS

- Coupe de barres béton
- Cintrage de barres béton

AVANT LA MISE EN MARCHÉ

AVERTISSEMENT !

Avant de mettre l'outil en marche, vérifier les points suivants. En ce qui concerne les points 1-6, toujours effectuer la vérification avant de brancher le cordon d'alimentation dans la prise secteur.

- Source de puissance**
S'assurer que la source de puissance à utiliser correspond à la puissance indiquée sur la plaque signalétique du produit.
- Interrupteur de puissance**
S'assurer que l'interrupteur de puissance est en position ARRÊT. Si la fiche est branchée alors que l'interrupteur est sur MARCHÉ, l'outil démarre immédiatement et peut provoquer un grave accident.
- Fil de rallonge**
Lorsque la zone de travail est éloignée de la source de puissance, utiliser un fil de rallonge d'une épaisseur suffisante et d'une capacité nominale suffisante. Le fil de rallonge doit être aussi court que possible.
- PRECAUTION**
Remplacer ou réparer tout cordon endommagé.
- Préparation et vérification de l'environnement de travail**
Vérifier l'aire de travail pour s'assurer qu'elle est dans un état satisfaisant, comme indiqué au point 1. des précautions générales de travail.
- A des fins de sécurité, utiliser la clé Allen fournie pour être absolument sûr que le boulon à douille

hexagonale est solidement vissé. Le fait d'utiliser l'outil avec un boulon lâche risque d'endommager l'outil et de provoquer des accidents.

6. Vérifier que le couteau est bien affûté.

S'assurer que le couteau est bien affûté. Le fait de continuer à utiliser l'outil avec un couteau émoussé et déformé risque d'endommager l'outil et le couteau et de provoquer des accidents.

7. Vérifier la prise d'alimentation.

Si la prise bouge ou que la fiche sort facilement de la prise lorsque le cordon d'alimentation est branché, la prise a besoin d'être réparée. Consulter son service après-vente pour les réparations. Le fait de continuer à utiliser une prise défectueuse risque de provoquer une surchauffe et des accidents.

SCHÉMA ET EXPLICATION

Lire le mode d'emploi avant d'utiliser l'outil.

Ne pas utiliser cet outil électrique par temps humide.


Si l'on coupe l'interrupteur puis qu'on le rallume tout de suite après, le moteur risque de ne pas démarrer. Attendre au moins une bonne seconde avant de remettre le moteur en marche après l'avoir éteint.

Ne pas tenter de couper deux barres béton à la fois.

Ne pas utiliser l'outil sans s'être auparavant assuré qu'il n'y a personne dans le rayon de rotation du matériau à cintrer.

Ne jamais approcher les mains du couteau pendant le fonctionnement.

Eviter tout travail dépassant les capacités maximales. (Barre béton de 13 mm de diamètre)



(Cintrage)

- ① Ouvrir le couvercle.
- ② Sélectionner l'angle de cintrage
- ③ Placer une barre béton.
- ④ Tirer sur la gâchette.

(Coupe)

- ① Ouvrir le couvercle.
- ② Sélectionner CUT.
- ③ Placer une barre béton.
- ④ Tirer sur la gâchette.

(Retour à mi-chemin)

- ① Sélectionner RETURN avec la bague.
- ② Tirer sur la gâchette.

Pour les détails, voir le mode d'emploi.

UTILISATION (COUPE)

AVERTISSEMENT !

- Noter que l'outil n'est pas un outil qui se tient dans la main. Il faudra absolument le poser à un endroit stable, par exemple le plancher, le sol, etc.
- Ne jamais approcher la main du couteau pendant le fonctionnement.
- Ne jamais approcher la main des butées de réaction A et B pendant le fonctionnement.
- Ne pas couper d'autres matériaux que des barres béton. Sinon, le matériau risque de se fendre en éclats et les éclats de s'éparpiller.
- Couper une seule barre béton à la fois. Il n'est pas possible de couper plus de deux barres à la fois, et l'on risque d'endommager l'outil et les lames si l'on ne respecte pas cette consigne.

- Le rouleau de cintrage bouge même pendant une opération de coupe. Ne jamais approcher la main du rouleau de cintrage.

1. Coupe normale (Fig. 3)

- (1) Tourner le levier dans le sens de la flèche et ouvrir le couvercle.
- (2) Mettre la bague de réglage sur la position "coupe". (Tourner la bague de réglage à fond dans le sens des aiguilles d'une montre.) (Fig. 3)
- (3) Mettre l'outil dans la position indiquée à la Fig. 3.
- (4) Placer la barre béton à couper sur le couteau inférieur.
- (5) Lorsque la barre béton est installée, s'assurer que la butée de réaction A ou B est accrochée sur la barre béton.
- (6) Tirer sur la gâchette et couper la barre béton.

ATTENTION

- A des fins de sécurité, l'appareil est conçu de façon que le moteur ne puisse pas être mis en marche accidentellement. Pour mettre l'outil en marche,

appuyer tout d'abord sur le bouton de blocage, puis tirer sur la gâchette (Fig. 2). Si l'on tire sur la gâchette sans avoir appuyé au préalable sur le bouton de blocage, on risque d'endommager l'interrupteur. Faire attention lors de la mise en marche de l'outil.

- Lorsque la coupe est terminée, continuer à tirer sur la gâchette jusqu'à ce que le moteur commence à tourner en sens inverse et que le couteau commence à revenir. Si l'on relâche la gâchette trop tôt, le couteau risque de ne pas revenir et il faudra à nouveau tirer sur la gâchette.

2. Retrait de la barre béton pendant la coupe (Fig. 4)

Si l'on relâche la gâchette au milieu de la coupe, le couteau risque de s'arrêter à mi-chemin, et la barre béton restera coincée dans l'outil.

Dans ce cas, on pourra soit tirer à nouveau sur la gâchette et terminer la coupe de la barre béton, soit libérer la barre béton en ramenant le couteau supérieur à la position d'origine en procédant comme suit. (Fig. 4)

- Retrait (Fig. 5)

Mettre la bague de réglage sur la position "RETURN", comme indiqué à la Fig. 5, et tirer à nouveau sur la gâchette.

DURÉE DE SERVICE ET REMPLACEMENT DU COUTEAU

1. Durée de service du couteau (Fig. 6)

Des coupes répétées finiront inévitablement par user la lame du couteau et par déformer et fissurer les tranchants. Si l'on continue à utiliser le couteau alors qu'il est abîmé de cette façon, cela risque d'endommager l'outil et des éclats de matériau risquent de s'éparpiller au niveau du couteau. Comme il est indiqué à la Fig. 5, le couteau est équipé de lames en deux endroits. Chaque lame pourra être utilisée deux fois en intervertissant les faces de serrage avant et arrière. Pour éviter d'utiliser une lame usée avec des tranchants déformés et fissurés, il est recommandé de changer la face de serrage du couteau au bout de 2 500 coupes (standard) de barre béton environ. Ou bien, remplacer les lames par des neuves.

2. Changement de la face de serrage du couteau et remplacement (Fig. 7)

- (1) Tirer légèrement sur l'interrupteur de façon que le couteau supérieur se déplace lentement. Lorsque le boulon à douille hexagonale qui fixe le couteau supérieur sort du couvercle de came, éteindre l'interrupteur (OFF) et arrêter le moteur.
- (2) Débrancher le cordon d'alimentation de la prise secteur.

3. Retrait

AVERTISSEMENT !

- Pour éviter tout risque d'accident, toujours éteindre l'interrupteur (OFF) et débrancher le cordon d'alimentation de la prise secteur.
- Si l'on retire le boulon à douille hexagonale à l'aide de la clé Allen, on pourra retirer le couteau. (Pousser la protection du couteau dans le sens de la flèche, comme indiqué à la Fig. 7, pour faciliter le retrait du couteau supérieur.)

4. Montage

- (1) Retirer toute la poussière qui s'est accumulée autour du couteau à l'aide d'un chiffon doux et propre.
- (2) Mettre le couteau dans la pièce de montage de façon que les lames du couteau (↖) se fassent face.
- (3) Pour fixer le boulon à douille hexagonale, le visser solidement à l'aide de la clé Allen.

UTILISATION (CINTRAGE)

AVERTISSEMENT !

- Noter que l'outil n'est pas un outil qui se tient dans la main. Il faudra absolument le poser à un endroit stable, par exemple le plancher, le sol, etc.
- Ne jamais approcher la main du rouleau de cintrage pendant le fonctionnement.
- Ne pas cintrer d'autres matériaux que des barres béton. Sinon, le matériau risque de se fendre en éclats et les éclats de s'éparpiller.
- Il est possible de cintrer deux barres béton de 10 mm à la fois, mais les barres béton de 13 mm ne pourront être cintrées qu'une par une.
- Bien savoir que le couteau bouge même pendant une opération de cintrage. Il faudra donc refermer sans faute le couvercle du couteau.
- Ne commencer à travailler qu'après s'être assuré qu'il n'y a personne dans le rayon de rotation du matériau à cintrer.
- Prévoir une longueur supplémentaire d'au moins 120 mm par rapport à la longueur de cintrage de la barre béton à cintrer. Si la longueur supplémentaire est insuffisante, la barre béton risque de se détacher pendant le travail, ou de se briser en fragments qui s'éparpilleront dangereusement. (Fig. 9)
- Bien installer la barre béton correctement dans le rouleau. Si elle dépasse du rouleau, elle risque de se détacher pendant le cintrage et de s'éparpiller en éclats.

1. Réglage des angles de cintrage avec la bague de réglage

La barre béton pourra être cintrée aux angles indiqués sur la bague de réglage, comme indiqué à la Fig. 15.

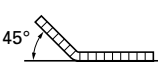
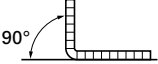
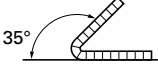
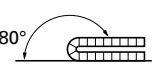
Indication de la bague	45°	90°	135°	180°
Position de la barre béton				

Fig. 15

Pour cintrer des barres béton de 10 mm et de 13 mm à la même position de la bague, les angles de cintrage devront être légèrement différents en raison de la différence de diamètre des barres béton. En conséquence, même si l'on utilise le même angle, il est recommandé de modifier légèrement la position de la bague pour des barres béton de diamètre différent, comme représenté à la **Fig. 8**.

Pour cintrer la barre béton à un angle proche de l'indication de la bague, placer la barre béton de 10 mm plus près de la gauche du repère d'angle, et la barre béton de 13 mm plus près de la droite du repère d'angle.

REMARQUE

Même si l'on place la bague sur la même position, l'angle de cintrage risque de différer légèrement si le diamètre ou la dureté de la barre béton sont différents. Les repères d'angle ne donnent qu'un indication approximative.

2. Cintrage ordinaire

(1) Disposer l'outil par rapport à la table rotative comme indiqué à la **Fig. 10**.

(2) Vérifier que le couvercle est bien fermé.

(3) Placer la bague de réglage à l'angle voulu.

(4) Mettre une barre béton sur la butée de la plaque centrale et la fixer correctement, comme indiqué à la **Fig. 9**.

(5) Tirer sur la gâchette et cintrer la barre béton.

(6) Continuer à tirer sur la gâchette jusqu'à ce que le moteur tourne en sens inverse et que le rouleau de cintrage commence à revenir en arrière. (Une fois que le rouleau de cintrage a commencé à revenir en arrière, il reviendra automatiquement jusqu'à la position d'origine, même si l'on relâche la gâchette.)

3. Cintrage par mesure visuelle

L'outil utilisant un sélecteur de vitesse variable, il est possible de cintrer la barre béton à l'angle voulu en mesurant l'angle visuellement en plus d'avec la bague de réglage.

(1) Mettre la bague de réglage à un angle plus grand que l'angle voulu.

(2) Tirer légèrement sur la gâchette et cintrer la barre béton lentement.

(3) Lorsque la barre béton est cintrée à l'angle voulu, cesser de tirer sur l'interrupteur. Si la barre béton n'a pas encore atteint l'angle voulu, tirer à nouveau sur la gâchette.

(4) Lorsque le cintrage est terminé, retirer la barre béton. Puis, tirer une nouvelle fois sur l'interrupteur et ramener le rouleau de cintrage à la position d'origine. (Continuer à tirer sur l'interrupteur jusqu'à ce que le rouleau de cintrage commence à tourner en sens arrière.)

4. Retrait de la barre béton pendant le cintrage

Lorsqu'on effectue le cintrage à vitesse lente, notamment lors d'un "cintrage par mesure visuelle", il arrive que la barre béton se coince dans le rouleau de cintrage sous l'effet de sa propre flexion.

Dans ce cas, on pourra ramener le rouleau de cintrage à la position d'origine en tirant à nouveau sur l'interrupteur après avoir mis la bague de réglage sur la position "retour". Cette méthode est la même que pour le retrait des barres béton qui se coincent pendant la coupe. (**Fig. 11**)

5. Utilisation de la plaque de mesure d'angle de cintrage

Sur l'outil, le couvercle de came est lui-même structuré comme plaque de mesure d'angle qui permet de mesurer l'angle de la barre béton après le cintrage. Profiter de cette fonction. Lorsque la plaque de mesure est vue du haut, comme indiqué à la **Fig. 12**, le point où le trait de repère et la barre béton se croisent représente l'angle de cintrage. (Bien penser qu'il faudra utiliser un trait différent, en fonction du diamètre de la barre.)

6. Utilisation de l'orifice pour fixer l'outil

Un orifice est prévu au centre de l'outil pour le fixer et le stabiliser. Cet orifice est très pratique lorsqu'on l'utilise de la manière suivante. (**Fig. 13**)

○ Pour fixer l'outil sur un établi lors d'une opération de cintrage

Cet orifice est très pratique pour boulonner l'outil sur un établi. (Dimension du boulon M10, moins de W3/8)

ENTRETIEN ET INSPECTION

AVERTISSEMENT !

Pour éviter tout risque d'accident, toujours éteindre l'interrupteur (OFF) et débrancher le cordon d'alimentation de la prise secteur.

1. Contrôle des vis de montage:

Vérifier régulièrement les vis de montage et s'assurer qu'elles sont correctement serrées. Resserrer immédiatement toute vis desserrée. Sinon, il y a danger sérieux.

2. Entretien du moteur:

Le bobinage de l'ensemble moteur est le "cœur" même de l'outil électro-portatif. Veiller soigneusement à ce que ce bobinage ne soit pas endommagé et/ou mouillé par de l'huile ou de l'eau.

3. Contrôle des balais en carbone: (**Fig. 14**)

Le moteur utilise des balais en carbone qui sont des pièces qui s'usent. Comme un balai en carbone trop usé peut détériorer le moteur, remplacer les balais en carbone par des neufs ayant le même No. que celui montré à la figure quand ils sont usés ou à la limite d'usure. En outre, toujours tenir les balais propres et veiller à ce qu'ils coulissent librement dans les supports.

4. Remplacement des balais en carbone (**Fig. 13, Fig. 14**)

Desserrer les vis de fixation et retirer le couvercle arrière. Retirer les capuchons des balais et les balais en carbone. Après avoir remplacé les balais, ne pas oublier de revisser les capuchons des balais et de remonter le couvercle arrière avec les vis de fixation.

NOTE

Par suite du programme permanent de recherche et de développement HITACHI, ces spécifications peuvent faire l'objet de modifications sans avis préalable.

Au sujet du bruit et des vibrations

Les valeurs mesurées ont été déterminées en fonction de la norme EN610029.

Le niveau de pression acoustique pondérée A type est de 72 dB (A)

Porter un casque de protection.

L'accélération quadratique pondérée typique n'excède pas 2,5 m/s².

PRECAUZIONI GENERALI

ATTENZIONE! Quando si usano elettrotensili, bisogna sempre seguire le precauzioni basilari di sicurezza per ridurre il rischio di incendi, scosse elettriche e lesioni alle persone, tra cui quanto segue.

Leggere tutte queste istruzioni prima di usare questo prodotto e conservare le istruzioni.

Per un funzionamento sicuro:

1. Mantenere sempre pulita l'area dove si lavora. Un'area di lavoro sempre pulita aiuta ad evitare incidenti.
2. Tenere nella dovuta considerazione le condizioni dell'ambiente di lavoro.
Non esporre gli elettrotensili alla pioggia.
Non usare gli elettrotensili in luoghi molto umidi o bagnati.
Mantenere ben illuminata l'area di lavoro.
Non usare elettrotensili dove ci sia il rischio di causare incendi o esplosioni.
3. Fare attenzione alle scosse elettriche. Evitare il contatto del corpo con superfici collegate a terra (p.es. tubi, caloriferi, fornelli, frigoriferi)
4. Tenere lontano i bambini. Non permettere che persone estranee ai lavori tocchino gli elettrotensili o i cavi della corrente elettrica. Le persone non addette al lavoro non dovrebbero nemmeno avvicinarsi.
5. Riporre gli elettrotensili non usati in luogo adatto. Quando non utilizzati, gli elettrotensili vanno tenuti in un luogo asciutto, chiusi a chiave o in alto, fuori dalla portata dei bambini.
6. Non forzare mai gli elettrotensili. Qualsiasi lavoro viene eseguito meglio e più velocemente alla velocità per la quale l'elettrotensile è stato formulato.
7. Scegliere sempre l'utensile elettrico adatto. Non forzare un piccolo elettrotensile o un accessorio a fare un lavoro di un utensile o accessorio più grande. Non usare gli elettrotensili per dei lavori per i quali non sono stati formulati (non usare, per esempio, una sega circolare per tagliare grossi tronchi).
8. Vestirsi in modo adatto. Non portare abiti larghi o gioielli, che potrebbero impigliarsi nelle parti in movimento degli elettrotensili. Lavorando all'esterno, si raccomanda l'uso di guanti di gomma e di scarpe antidrucciolo. Chi porta capelli lunghi dovrebbe utilizzare un'apposita cuffia protettiva.
9. Usare occhiali protettivi. Eseguendo dei lavori di taglio che producono molta polvere, usare anche una mascherina antipolvere.
10. Collegare apparecchiature di rimozione della polvere. Se sono forniti dispositivi per il collegamento di apparecchiature di rimozione e raccolta della polvere, assicurarsi che siano collegati e usati correttamente.
11. Non maltrattare il cavo della corrente elettrica. Non trasportare gli elettrotensili prendendoli per il cavo della corrente e non scollegarli dalla presa in tal modo. Tenere il cavo della corrente lontano dal calore, olio ed oggetti taglienti.
12. Lavorare su oggetti fermi. Fissare saldamente l'oggetto in una morsa. È più sicuro che non tenendolo fermo con le mani, che restano libere per maneggiare l'elettrotensile.

13. Non squilibrare il corpo durante l'esecuzione di un lavoro. Stare sempre su due piedi, in equilibrio stabile.
14. Trattare gli utensili elettrici con cura. Tenerli sempre puliti ed affilati per un funzionamento migliore e più sicuro. Seguire le istruzioni date per la lubrificazione e la sostituzione degli accessori. Controllare periodicamente le condizioni del cavo della corrente. Se dovesse essere rovinato, farlo sostituire presso un Centro Assistenza. Non usare cavi di prolungamento rovinati. Mantenere le impugnature sempre pulite, libere soprattutto da olio e grasso.
15. Quando non si usa, prima di eseguire una qualsiasi operazione di manutenzione e prima di intraprendere qualsiasi sostituzione di accessori (lama, punte, ecc.), scollegare sempre l'elettrotensile.
16. Togliere sempre le chiavi di regolazione dall'attrezzo. È 'buona abitudine controllare sistematicamente che nessuna chiave di regolazione sia più attaccata all'elettrotensile, prima di metterlo in funzione.
17. Evitare che l'elettrotensile possa inavvertitamente essere messo in funzione. Non trasportare gli elettrotensili mantenendo il dito sull'interruttore, mentre sono collegati alla rete. Prima di collegarli, controllare che l'interruttore sia in posizione di spento.
18. Fare uso di cavi di prolungamento per esterni. In questo caso, controllare che il cavo sia adatto per l'uso all'esterno.
19. Stare sempre attenti. Guardare sempre nel punto in cui si esegue il lavoro. Non usare utensili elettrici se si è stanchi.
20. Controllare qualsiasi parte che sembra danneggiata. Prima di riprendere l'uso degli elettrotensili, controllare attentamente che la parte apparentemente danneggiata possa ancora essere usata in modo da assolvere la sua funzione. Controllare che le parti mobili siano nella loro posizione corretta, che nessun pezzo sia rotto, che tutti i pezzi siano montati correttamente, e controllare altri punti importanti per il funzionamento dell'utensile elettrico. Qualsiasi pezzo danneggiato deve essere riparato o sostituito da un Centro Assistenza autorizzato, a meno che dettagliate istruzioni in proposito siano date nel presente manuale.
Non usare l'elettrotensile se non può essere acceso o spento per mezzo del suo interruttore.
21. Attenzione
L'uso di qualsiasi accessorio o attacco diverso da quelli citati nel presente manuale di istruzioni può presentare il rischio di lesioni alle persone.
22. Far riparare l'elettrotensile da personale qualificato. Questo elettrotensile è in conformità con le relative norme di sicurezza. Le riparazioni devono essere eseguite solo da personale qualificato usando ricambi originali, altrimenti ne possono derivare considerevoli rischi per l'utilizzatore.

PRECAUZIONI PER L'USO DEL TRANCIA E SAGOMA BARRE PORTATILE

AVVERTIMENTO!

1. Assicurarsi di usare l'unità con la tensione nominale specificata sulla piastrina. L'uso dell'unità ad una tensione che eccede le specifiche sulla piastrina può causare una velocità di rotazione eccessiva e lesioni.
2. Evitare qualsiasi lavoro che eccede le capacità massime dell'unità descritte nei dati tecnici. Non tranciare e/o sagomare mai materiali duri come PC (calcestruzzo preformato), acciaio, ecc. I materiali di questo tipo tendono a frammentarsi e causare lesioni.
3. Se l'unità si guasta durante il funzionamento o se si notano rumori anomali, disattivare immediatamente l'interruttore e interrompere l'uso. Contattare il negozio presso cui si è acquistata l'unità o un centro assistenza autorizzato Hitachi e farla ispezionare e/o riparare. L'uso dell'unità non ispezionata e/o riparata può causare lesioni.

4. Assicurarsi che il paralame sia chiuso quando non si eseguono operazioni di trancitura. Se il paralame rimane aperto, la taglierina può incepparsi con oggetti estranei e causare seri incidenti. (Fig. 1)
5. Quando si agisce sugli interruttori, non tenere mai la mano vicino alla taglierina, al bloccatore o al rullo di sagomatura. Avvicinando la mano a tali componenti si corre il rischio di serie lesioni.
6. Se si lascia cadere accidentalmente l'unità o se urta contro qualcosa, esaminare attentamente l'unità e assicurarsi che non siano presenti danni, incrinature o deformazioni sulla taglierina e sull'unità.

CAUTELE:

- Installare la taglierina e gli accessori saldamente come descritto nelle istruzioni per l'uso. Se non sono installati correttamente, possono staccarsi e causare lesioni.
- Assicurarsi di scollegare il cavo di alimentazione dalla presa di corrente quando si controlla, pulisce o sostituisce la taglierina. Se non si fa questo, potrebbero essere causate serie lesioni.

CARATTERISTICHE

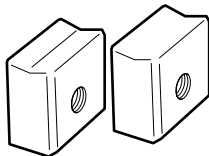
Voltaggio	230 V ~	
Potenza assorbita	285 W	
Capacità	(1) Materiale: Barre (GRADE 460 (Inghilterra), BST500 (Germania), B500 (Spagna) e materiali equivalenti) (2) Diametro del materiale: 8 – 13 mm	
Numero di pezzi lavorabili contemporaneamente	Trancitura	Sagomatura
	10 mm 1 pezzo	10 mm 2 pezzi
	13 mm 1 pezzo	13 mm 1 pezzo
Peso	11,5 kg (escluso il cavo)	

ACCESSORI STANDARD

- (1) Chiave Allen (per bullone a testa esagonale M5) 1 (applicata all'unità)
- (2) Una serie di taglierine 1 (applicata all'unità)

ACCESSORI OPZIONALI (venduti separatamente)

- Taglierina
* Una serie contenente due pezzi



IMPIEGHI

- (1) Trancitura di barre
- (2) Sagomatura di barre

PRIMA DELL'USO

AVVERTIMENTO!

Prima dell'uso, controllare quanto segue. Per quanto riguarda i punti 1-6, assicurarsi di controllarli ogni volta prima di collegare il cavo di alimentazione alla presa di corrente.

1. Alimentazione

Assicurarsi che la rete di alimentazione che si vuole usare sia compatibile con le caratteristiche relative all'alimentazione di corrente specificate nella piastrina dell'apparecchio.

2. Interruttore di corrente

Mettere l'interruttore in posizione SPENTO. Se la spina è infilata in una presa mentre l'interruttore è acceso, l'utensile elettrico si mette immediatamente in moto, facilitando il verificarsi di incidenti gravi.

3. Prolunga del cavo

Quando l'ambiente di lavoro è lontano da una presa di corrente, usare una prolunga del cavo di sufficiente spessore e di prestazione adeguata. La prolunga deve essere più corta possibile.

CAUTELE

Il cavo danneggiato deve essere riparato o sostituito.

- 4. Preparazione e controllo dell'ambiente di lavoro**
 Controllare e verificare che il luogo di lavoro sia in condizioni appropriate, come indicato al punto 1 delle precauzioni per l'uso.
- 5.** A fini di sicurezza, usare la chiave Allen in dotazione per verificare con la massima certezza che il bullone a testa esagonale sia saldamente fissato. L'uso dell'unità con il bullone in uno stato allentato può causare danni all'unità ed alla taglierina nonché incidenti.

- 6. Verificare che la taglierina sia affilata.**
 Assicurarsi che la taglierina sia affilata. L'uso continuato di una taglierina usurata e deformata con lame senza filo causa danni all'unità ed alla taglierina nonché il rischio di incidenti.
- 7. Controllare la presa di corrente.**
 Se la presa traballa o se la spina fuoriesce facilmente quando il cavo di alimentazione è collegato, la presa deve essere riparata. Rivolgersi all'ente elettrico per riparazioni. L'uso continuato di una presa difettosa può causare surriscaldamenti e incidenti.

ILLUSTRAZIONE E SPIEGAZIONE DEI SIMBOLI PITTOGRAFICI

Leggere le istruzioni per l'uso prima dell'uso.

Non avvicinare mai la mano alla taglierina durante il funzionamento.

(Sagomatura)

- ① Chiudere il coperchio.
- ② Selezionare l'angolo di sagomatura.
- ③ Collocare una barra.
- ④ Tirare il grilletto.

Non usare questi utensili elettrici sotto la pioggia.

Dopo aver spento l'utensile, se lo si riaccende immediatamente a volte il motore non si avvia. Attendere 1 secondo prima di riaccendere.

Non tagliare due barre per volta.

Evitare qualsiasi lavoro che eccede le capacità massime. (Diametro barra 13 mm)

(Tranciatura)

- ① Aprire il coperchio.
- ② Selezionare CUT.
- ③ Collocare una barra.
- ④ Tirare il grilletto.

(Ritorno a metà corsa)

- ① Selezionare RETURN con la ghiera.
- ② Tirare il grilletto

Fare riferimento alle istruzioni per l'uso per dettagli.

MODO DI IMPIEGO (TRANCIATURA)

AVVERTIMENTO!

- Notare che l'unità non è un utensile da tenere in mano. Assicurarsi di usare l'unità solo dopo averla collocata su una superficie stabile come il pavimento, il terreno, ecc.
- Non avvicinare mai la mano alla taglierina durante il funzionamento.
- Non avvicinare mai la mano ai bloccatori A e B durante il funzionamento.
- Non tagliare mai alcun materiale diverso dalle barre. Se si tentasse di farlo, il materiale può frammentarsi e schizzare via.

- Tranciare solo una barra per volta. È impossibile tranciare due pezzi per volta e tentare di farlo può danneggiare l'unità e le lame.
 - Il rullo di sagomatura si muove anche durante la tranciatura. Non avvicinare mai la mano al rullo di sagomatura.
- 1. Tranciatura normale (Fig. 3)**
- (1) Girare la leva in direzione della freccia e aprire il coperchio.
 - (2) Regolare la ghiera di impostazione sulla posizione "cut". (Girare la ghiera di impostazione completamente in senso orario.) (Fig. 3)
 - (3) Regolare l'unità nella posizione mostrata nella Fig. 3.
 - (4) Collocare la barra da tranciare sulla taglierina inferiore.
 - (5) Quando la barra è posizionata, assicurarsi che il bloccatore A o il bloccatore B sia agganciato alla barra.

(6) Tirare il grilletto e tranciare la barra.

CAUTELA

- Per un funzionamento sicuro, questo utensile è progettato in modo che l'interruttore del motore non possa essere attivato accidentalmente. Quando si accende l'utensile, premere il pulsante di blocco e quindi tirare l'interruttore a grilletto (Fig.2). Se si tira l'interruttore a grilletto senza aver prima premuto il pulsante di blocco, l'interruttore può essere danneggiato. Fare attenzione quando si accende l'utensile.
- Anche dopo che la tranciatura è stata completata, tenere premuto il grilletto fino a che il motore comincia a girare all'indietro e la taglierina inizia a tornare. Se si lascia andare il grilletto troppo presto, la taglierina non ritorna e si dovrà tirare di nuovo il grilletto.

2. Rimozione della barra durante la tranciatura (Fig. 4)

Se si lascia andare il grilletto durante la tranciatura, la taglierina può bloccarsi in una posizione a metà corsa, inceppando la barra nell'unità.

In questo caso, si può tirare di nuovo il grilletto e tranciare la barra o si può liberare la barra sollevando la taglierina superiore alla posizione di partenza con il seguente procedimento. (Fig. 4)

○ **Rimozione (Fig. 5)**

Regolare la ghiera di impostazione sulla posizione "RETURN" come mostrato nella Fig. 5 e tirare di nuovo il grilletto.

DURATA E SOSTITUZIONE DELLA TAGLIERINA

1. Durata della taglierina (Fig. 6)

L'esecuzione di operazioni ripetute di tranciatura inevitabilmente usura la lama della taglierina e deforma e intacca il filo delle lame. Se si continua ad usare la taglierina con queste imperfezioni, l'unità subisce danni e frammenti possono schizzare via dalla taglierina. Come mostrato nella Fig. 5, la taglierina è dotata di lame in due punti. Ciascuna lama può essere usata due volte cambiando il lato di fissaggio anteriore e posteriore. Per evitare l'uso di una lama usurata con filo deformato o intaccato, consigliamo di cambiare il lato di fissaggio della taglierina dopo aver tagliato circa 2.500 barre (standard). Oppure sostituire le lame con altre nuove.

2. Cambiamento del lato di fissaggio della taglierina e sostituzione (Fig. 7)

- (1) Tirare leggermente il grilletto e lasciare che la taglierina superiore si muova lentamente. Quando il bullone a testa esagonale che fissa la taglierina superiore fuoriesce dal coperchio camme, disattivare l'interruttore e fermare il motore.
- (2) Scollegare il cavo di alimentazione dalla presa di corrente.

**3. Rimozione
AVVERTIMENTO!**

- Per evitare incidenti, assicurarsi sempre di disattivare l'interruttore e di scollegare il cavo di alimentazione dalla presa di corrente.
- Se si rimuove il bullone a testa esagonale usando la chiave Allen in dotazione, si può rimuovere la taglierina. (Spingendo il paralame in direzione della freccia mostrata nella Fig. 7 è più facile rimuovere la taglierina superiore.)

4. Montaggio

- (1) Eliminare la polvere intorno alla parte di montaggio taglierina usando uno straccio morbido pulito.
- (2) Posizionare la taglierina sulla parte di montaggio in modo che le lame della taglierina (M) siano rivolte una verso l'altra.
- (3) Per fissare il bullone a testa esagonale, serrarlo saldamente usando la chiave Allen.

MODO DI IMPIEGO (SAGOMATURA)

AVVERTIMENTO!

- Notare che l'unità non è un utensile da tenere in mano. Assicurarsi di usare l'unità solo dopo averla collocata su una superficie stabile come il pavimento, il terreno, ecc.
- Non avvicinare mai la mano al rullo di sagomatura durante il funzionamento.
- Non sagomare mai alcun materiale diverso dalle barre. Se si tentasse di farlo, il materiale può frammentarsi e schizzare via.
- Si possono sagomare due barre da 10 mm per volta ma le barre da 13 cm possono essere sagomate solo una per volta.
- Ricordare che la taglierina si muove anche durante la sagomatura, per cui non mancare mai di chiudere il paralame.
- Iniziare l'operazione solo dopo essersi assicurati che non siano presenti persone all'interno del raggio di rotazione del materiale da sagomare.
- Lasciare una lunghezza in eccesso di 120 mm sulla lunghezza di sagomatura della barra da sagomare. Se la lunghezza in eccesso non è sufficiente, la barra può staccarsi durante l'operazione di sagomatura o può frammentarsi e schizzare via in modo pericoloso. (Fig. 9)
- Assicurarsi di posizionare correttamente la barra sul rullo. Se sporge dal rullo, la barra può staccarsi durante l'operazione di sagomatura e frantumarsi.

1. Regolazione dell'angolo di sagomatura con la ghiera di impostazione

La barra può essere piegata alle angolazioni indicate sulla ghiera di impostazione, come mostrato nella Fig. 15.

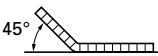
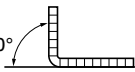
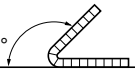
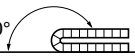
Indicazione sulla ghiera	45°	90°	135°	180°
Condizione della barra				

Fig. 15

Quando si sagomano le barre da 10 mm e 13 mm alla stessa posizione della ghiera, gli angoli di sagomatura differiscono leggermente a causa della differenza di diametro delle barre. Anche quando si usa la stessa posizione della ghiera, quindi, consigliamo di cambiare leggermente la posizione della ghiera per diametri barre diversi, come mostrato nella **Fig. 8**. Si può sagomare una barra ad un angolo vicino all'indicazione sulla ghiera se si colloca la barra da 10 mm più vicina alla sinistra del segno di angolo e la barra da 13 mm più vicina alla destra del segno di angolo.

NOTA

Anche alla stessa posizione della ghiera di impostazione, l'angolo di sagomatura può a volte differire se il diametro o la durezza della barra sono diversi. Usare i segni di angolo come una guida approssimativa.

2. Sagomatura normale

- (1) Collocare l'unità nella posizione con il piatto girevole come mostrato nella **Fig. 10**.
- (2) Assicurarsi che il coperchio sia chiuso.
- (3) Regolare la ghiera di impostazione sull'angolo desiderato.
- (4) Collocare la barra sul fermo della piastra centrale e disporla correttamente come mostrato nella **Fig. 9**.
- (5) Tirare il grilletto e piegare la barra.
- (6) Tenere premuto il grilletto fino a che il motore gira all'indietro e il rullo di sagomatura inizia a tornare. (Una volta che il rullo di sagomatura ha cominciato a tornare, ritorna automaticamente fino alla posizione di partenza anche se si lascia andare il grilletto.)

3. Sagomatura ad occhio

Poiché l'unità impiega un interruttore a velocità variabile, si può sagomare la barra all'angolazione desiderata misurando ad occhio, oltre che usare la ghiera di impostazione.

- (1) Regolare la ghiera di impostazione su un angolo maggiore di quello desiderato.
- (2) Tirare leggermente il grilletto e sagomare lentamente la barra.
- (3) Quando la barra è stata sagomata all'angolazione desiderata, lasciar andare il grilletto. Se la barra non ha ancora raggiunto l'angolazione desiderata, tirare di nuovo il grilletto.
- (4) Rimuovere la barra dopo aver finito la sagomatura. Quindi premere di nuovo il grilletto per riportare il rullo di sagomatura alla posizione di partenza. (Tenere premuto il grilletto fino a che il rullo di sagomatura comincia la rotazione inversa.)

4. Rimozione della barra durante l'operazione di sagomatura

Quando si esegue la sagomatura a bassa velocità in "Sagomatura ad occhio", la barra può a volte rimanere incastrata nel rullo di sagomatura a causa della sua stessa flessione.

In questo caso, si può riportare il rullo di sagomatura alla posizione di partenza tirando di nuovo il grilletto dopo aver regolato la ghiera di impostazione sulla posizione "return". Questo è lo stesso metodo usato per estrarre la barra quando rimane inceppata durante l'operazione di tranciatura. (**Fig. 11**)

5. Uso della piastra di misurazione dell'angolo di sagomatura

In questa unità, il coperchio camme stesso funge da piastra di misurazione dell'angolo che permette di misurare l'angolo della barra dopo la sagomatura. Questo è molto comodo.

Guardando da sopra come mostrato nella **Fig. 12**, il

punto in cui la linea di indicazione e la barra si incontrano indica l'angolo di sagomatura. (Ricordare: Si deve usare una linea diversa a seconda del diametro della barra.)

6. Uso del foro per fissare l'unità in posizione

Un foro è presente al centro dell'unità per fissarla e stabilizzarla. Questo foro è molto comodo se usato nel seguente modo. (**Fig. 13**)

- Per operazioni di sagomatura quando l'unità è fissata ad un banco di lavoro

Questo foro è molto comodo quando l'unità è fissata ad un banco di lavoro appropriato. (Bullone formato M10, meno di W3/8)

MANUTENZIONE E ISPEZIONE

AVVERTIMENTO!

Per evitare incidenti, assicurarsi sempre di disattivare l'interruttore e di scollegare il cavo di alimentazione dalla presa di corrente.

1. Controllo delle viti di tenuta:

Controllare regolarmente tutte le viti di tenuta e assicurarsi che siano esclusivamente serrate. Nel caso che una di queste viti dovesse allentarsi riserrarla immediatamente. Se si non ottiene di farlo, si può causare un grave incidente.

2. Manutenzione del motore:

L'avvolgimento del motore il vero e proprio "cuore" degli attezzi elettrici. Fare attenzione a non danneggiare l'avvolgimento e/o non bagnarlo con olio o acqua.

3. Controllo delle spazzole di carbone (**Fig. 14**)

Il motore impiega spazzole di carbone che sono materiali di consumo. Poiché una spazzola di carbone troppo usurata può creare fastidi al motore, sostituire le spazzole con altre nuove dello stesso numero indicato nella figura quando sono logore fino al limite del regolamento e quasi.

Tenere inoltre sempre pulite le spazzole di carbone e fare in modo che esse scorrano liberamente nell'interno del portaspazzola.

4. Sostituzione delle spazzole di carbone (**Fig. 13, Fig. 14**)

Allentare le viti di fissaggio e rimuovere la copertura posteriore. Rimuovere i coprispazzole e le spazzole di carbone. Dopo aver sostituito le spazzole di carbone, non dimenticare di serrare saldamente i coprispazzole e di montare la copertura posteriore con le viti di fissaggio.

NOTA

A causa del continuo programma di ricerca e sviluppo della HITACHI, le caratteristiche qui riportate sono soggette a cambiamenti senza preventiva comunicazione.

Informazioni riguardanti i rumori trasmessi dall'aria e le vibrazioni

I valori misurati sono stati determinati in conformità a EN610029.

Il livello di pressione sonora pesato A tipico è di 72 dB (A)
Indossare protezioni per le orecchie.

Il valore tipico di accelerazione quadrata media a radice pesata non supera 2,5 m/s².

ALGEMENE VOORZORGMATREGELEN

WAARSCHUWING! Bij gebruik van elektrisch gereedschap moet u altijd de normale basisvoorzorgen voor de veiligheid in acht nemen om de kans op brand, elektrische schokken en letsel te verminderen. Let tevens op de volgende punten.

Lees al de aanwijzingen door alvorens het gereedschap in gebruik te nemen. Bewaar deze aanwijzingen.

Voor een veilige werking:

1. Houd de plaats waar gewerkt wordt schoon. Niet opgeruimde werkplaatsen en werkbanken verhogen het gevaar van ongelukken.
2. Kies een geschikte omgeving om te werken. Stel elektrisch gereedschap niet aan regen bloot. Gebruik elektrisch gereedschap niet op vochtige of natte plaatsen.
Zorg dat de werkplaats goed verlicht is.
Gebruik elektrisch gereedschap niet op plaatsen waar brand- of explosiegevaar is.
3. Vermijd een elektrische schok. Let er daarom op dat er geen contact is met geaarde oppervlakken zoals pijpen, radiators, keukenfornuis of ijskast.
4. Houd kinderen uit de buurt. Laat bezoekers het gereedschap of snoer niet aanraken. Alle bezoekers moeten een veilige afstand tot de werkplaats aanhouden.
5. Ruim overbodig gereedschap op. Gereedschap dat niet gebruikt wordt moet op een droge, hooggelegen of af te sluiten plaats buiten het bereik van kinderen opgeborgen worden.
6. Forceer het gereedschap niet. Het levert een betere en veiligere prestatie op de snelheid waarvoor het werd ontworpen.
7. Gebruik het juiste gereedschap. Gebruik een klein gereedschap of hulpstuk niet voor werkzaamheden waarvoor een apparaat met groot vermogen vereist is. Gebruik het gereedschap niet voor doeleinden waarvoor dit niet bestemd is (bijvoorbeeld gebruik van de cirkelzaag voor het zagen van bomen).
8. Draag de juiste kleding. Draag geen loszittende kleren of armbanden e.d. daar deze in de bewegende delen verstrikt kunnen raken. Bij het werken buitenshuis wordt het gebruik van rubber handschoenen en stevige, niet glijdende schoenen aanbevolen.
9. Draag een veiligheidsbril. Ontstaat er veel stof tijdens het werken, draag dan eveneens een gezichtsbeschermer en/of stofmasker.
10. Sluit apparatuur voor het verzamelen van stof aan. Indien apparatuur voor het verzamelen van stof is bijgeleverd, moet u deze apparatuur op de vereiste wijze verbinden en gebruiken zoals wordt beschreven.
11. Behandel het snoer voorzichtig. Draag het gereedschap nooit door dit bij het snoer vast te houden. Bescherm het snoer tegen hitte, olie en scherpe hoeken.
12. Neem de uiterste veiligheid in acht. Gebruik klemmen of een bankschroef om het werkstuk vast te zetten. Hierdoor heeft u uw handen vrij om het gereedschap te bedienen.
13. Buig u nooit te ver naar voren. Kies een goede plaats en behoud altijd uw evenwicht.

14. Behandel het gereedschap voorzichtig. Zorg ervoor dat het gereedschap scherp en schoon is zodat een goed en veilig prestatievermogen wordt verkregen. Volg de gebruiksaanwijzing voor het smeren en het verwisselen van toebehoren.

Inspecteer de snoeren regelmatig op beschadiging en laat deze zonodig door een erkend servicecenter repareren. Controleer de verlengsnoeren ook regelmatig en vervang deze bij beschadiging. Houd alle handgrepen droog en schoon en vrij van olie en vet.

15. Trek de stekker uit het stopcontact als het gereedschap niet wordt gebruikt en ook bij onderhoudsbeurten, het verwisselen van toebehoren zoals bladen, boren, messen e.d.
16. Verwijder sleutels en moersleutels. Maak er een gewoonte van voor het inschakelen te controleren of alle sleutels en moersleutels verwijderd zijn.
17. Schakel het gereedschap niet onverwacht in. Draag geen aangesloten gereedschap met de vinger op de schakelaar. Controleer altijd of het gereedschap uitgeschakeld staat alvorens dit aan te sluiten.
18. Bij het werken buitenshuis dient een verlengsnoer te worden gebruikt. Gebruik dan alleen verlengsnoeren die geschikt zijn voor het werken buitenshuis en desbetreffend gemerkt zijn.
19. Let altijd goed op tijdens het werken. Kijk uit wat u doet en gebruik het gereedschap niet als u moe bent.
20. Bij beschadiging van een van de onderdelen dient dit nauwkeurig te worden nagekeken en gerepareerd alvorens het gereedschap opnieuw in gebruik wordt genomen. Let erop dat het betreffende onderdeel zijn functie goed vervult. Controleer of de bewegende delen goed zijn gemonteerd en vrij kunnen bewegen. Dit om een foutief functioneren van het gereedschap te voorkomen. Bij de beschadiging van een onderdeel dient de reparatie altijd te worden overgelaten aan een erkend service-center, tenzij in deze gebruiksaanwijzing anders wordt voorgeschreven. Laat ook defecte schakelaars vervangen door een erkend service-center. Gebruik het gereedschap niet als de aan/uitschakelaar niet werkt.
21. Waarschuwing
Het gebruik van toebehoren of verlengstukken waarvan het gebruik niet in deze gebruiksaanwijzing is aangegeven, veroorzaakt mogelijk letsel.
22. Laat het elektrisch gereedschap door een vakman repareren.
Dit elektrisch gereedschap voldoet aan de vereiste eisen voor de veiligheid. Voorkom mogelijk zeer ernstige ongelukken en laat derhalve reparatie over aan een erkend vakman die de originele reserveonderdelen gebruikt.

VOORZORGEN BIJ HET GEBRUIK VAN DE DRAAGBARE BETONIJZER BUIG- EN SNIJMACHINE

WAARSCHUWING!

1. Let er op dat de machine alleen gebruikt wordt bij het opgegeven voltage zoals vermeld op het naamplaatje. Gebruik van de machine bij een voltage dat de op het naamplaatje aangegeven spanning overschrijdt kan

- resultaten in een gevaarlijk hoge draaisnelheid en kan leiden tot persoonlijk letsel.
2. Vermijd werkzaamheden die het maximale vermogen van de machine, zoals vermeld onder de technische gegevens, te boven gaan. Probeer nooit harde materialen zoals voorgevormd beton, staal enz. te snijden of te buigen. Dit soort materialen zullen de neiging hebben te versplinteren, wat kan leiden tot persoonlijk letsel.
 3. Als de machine tijdens gebruik een storing vertoont, of wanneer u een abnormaal geluid hoort, dient u onmiddellijk de werkzaamheden te staken en de machine te stoppen met de schakelaar. Neem contact op met de zaak waar u de machine gekocht heeft, of met een erkend Hitachi Servicecentrum en vraag of de machine nagekeken en eventueel gerepareerd kan worden. Gebruik van de machine zonder nagekeken en gerepareerd te zijn kan leiden tot persoonlijk letsel.
 4. U moet er absoluut zeker van zijn dat de afdekking voor de schaar dicht is wanneer u niet aan het knippen bent. Als de afdekking open gelaten wordt, is het mogelijk dat er vreemde voorwerpen tussen de schaar komen, hetgeen kan leiden tot ernstig persoonlijk letsel. (Afb. 1)

5. Houd nooit uw hand in de buurt van de schaar, reactie-stopper of buigrol als u schakelaars gaat gebruiken. Door uw hand te dicht bij deze onderdelen te houden kunt u ernstig persoonlijk letsel oplopen.
6. Als u de machine per ongeluk laat vallen of ergens tegenaan stoot, dient u de machine na te kijken om te controleren of er geen schade, barsten of vervormingen zijn aan de schaar en de rest van de machine.

VOORZORGEN:

- Zet de schaar en de accessoires stevig vast volgens de instructies. Als u dit niet doet, is het mogelijk dat deze onderdelen los komen en letsel veroorzaken.
- Haal eerst de stekker uit het stopcontact wanneer de schaar gecontroleerd, schoongemaakt of vervangen moet worden. Negeren van dit gebod kan leiden tot ernstig persoonlijk letsel.

TECHNISCHE GEGEVENS

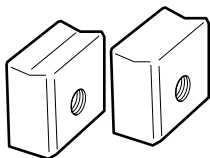
Voltage	230 V ~	
Opgenomen vermogen	285 W	
Capaciteit	(1) Materiaal: Betonijzer, equivalente classificeringen: GRADE 460 (Groot Britannië), BST 500 (Duitsland) en B500 (Spanje) (2) Doorsnede van het materiaal 8-13 mm	
Aantal tegelijk te verwerken stukken materiaal	Knippen 10 mm 1 stuk 13 mm 1 stuk	Buigen 10 mm 2 stuk 13 mm 1 stuk
Gewicht	11,5 kg (exclusief snoer)	

STANDAARD TOEBEHOREN

- (1) Inbussleutel (Voor M5 inbusbout)
..... 1 (bevestigd aan de machine)
- (2) Een schaarset 1 (bevestigd aan de machine)

OPTIONELE ACCESSOIRES (los verkrijgbaar)

- Schaarset
* Een set bestaat uit twee snijbladen.

**TOEPASSINGEN**

- (1) Knippen van betonijzer
- (2) Buigen van betonijzer

VOOR BEGIN VAN WERK**WAARSCHUWING!**

Voor u de machine gaat gebruiken moet u de volgende punten controleren. Controleer altijd eerst de onderdelen 1-6 voor u de stekker in het stopcontact steekt.

- 1. Netspanning**
Controleren of de netspanning overeenkomt met de opgave op het naamplaatje.
- 2. Netschakelaar**
Controleren of de netschakelaar op "UIT" staat. Wanneer de stekker op het net aangesloten is, terwijl de schakelaar op "AAN" staat, begint het gereedschap onmiddellijk te draaien, hetwelk ernstig gevaar betekent.
- 3. Verlengsnoer**
Wanneer het werkteerrein niet in de buurt van een stopcontact ligt, dan moet men gebruik maken van een verlengsnoer, dat voldoende dwarsprofiel en voldoende nominaal vermogen heeft. Het verlengsnoer moet zo kort mogelijk gehouden worden.

VOORZICHTIG

Een beschadigd snoer moet vervangen of gerepareerd worden.

- 4. Voorbereiden en controleren van de werkomgeving**
Controleer of de omgeving waar u uw werk gaat doen voldoet aan de voorwaarden zoals vermeld onder nummer 1 van de algemene voorzorgsmaatregelen.
- 5. Voor de veiligheid dient u de meegeleverde inbusleutel te gebruiken om er zeker van te zijn dat de inbusbout stevig vast zit.** Gebruik van deze machine terwijl de bout niet goed vast zit kan leiden tot schade aan de machine en de schaar en tot ongelukken.

6. Controleer of de schaar scherp is.

Controleer of de schaar scherp is. Te lang doorgaan met een versleten en vervormde, botte schaar kan leiden tot schade aan de machine en tot ongelukken.

7. Controleer het stopcontact.

Als het stopcontact niet goed vast zit of wanneer de stekker gemakkelijk los komt, dient dat stopcontact gerepareerd te worden. Raadpleeg een electricien in de buurt voor een dergelijke reparatie. Doorgaan met het gebruiken van een onbetrouwbaar stopcontact kan leiden tot oververhitting en ongelukken.

AFBEELDING PICTOGRAM EN UITLEG

Lees de instructies voor gebruik.

Gebruik dit elektrische gereedschap niet in nat weer.

Als u de machine aan zet direct nadat u hem heeft uit gedaan, is het mogelijk dat de motor niet gaat draaien. U dient tenminste 1 seconde te wachten voor u de stroom weer inschakelt.

Begin alleen met gebruik van deze machine nadat u gecontroleerd heeft of er zich geen personen in de buigstraal van het te verbuigen materiaal bevinden.

Probeer niet twee staven betonijzer tegelijk te knippen.

Houd uw hand nooit in de buurt van de schaar tijdens gebruik van de machine.

Gebruik de machine niet boven zijn maximum vermogen. (Diameter betonijzer 13 mm.)

(Knippen)

- 1 Open de afdekking.
- 2 Kies CUT.
- 3 Doe een staaf betonijzer in de machine.
- 4 Haal de trekker over.

(Halverwege terug)

- 1 Kies RETURN met de instelschijf.
- 2 Haal de trekker over.

Refer to the Handling Instructions for details.

GEBRUIK VAN DE MACHINE (KNIPPEN)

WAARSCHUWING!

- Vergeet niet dat deze machine geen handgereedschap is. U mag de machine alleen gebruiken als deze op een stabiele ondergrond, zoals de vloer, de grond enz. is geplaatst.
- Breng uw hand nooit in de buurt van de schaar wanneer de machine in gebruik is.
- Breng uw hand nooit in de buurt van de reactie-stoppers A en B wanneer de machine in gebruik is.
- Knip geen andere materialen dan betonijzer. Als u dat toch probeert, kan het materiaal dat u wilt knippen versplinteren en in het rond vliegen.

- Knip slechts een enkele staaf betonijzer per keer. Het is niet mogelijk twee of meer staven tegelijkertijd te knippen. Probeer u dat toch, dan kunnen de machine en de snijbladen beschadigd raken.
- De buigrol zal ook tijdens het knippen bewegen. Breng uw hand nooit in de buurt van de buigrol.

1. Normaal knippen (Afb. 3)

- (1) Draai de hefboom in de richting van de pijl en open de afdekking.
- (2) Zet de instelschijf op "CUT". (Draai de instelschijf helemaal met de klok mee.) (Afb. 3)
- (3) Plaats de machine in de positie zoals aangegeven in Afb. 3.

- (4) Plaats de staaf betonijzer die u wilt knippen op het onderste snijblad.
- (5) Wanneer de staaf betonijzer op zijn plaats zit, moet u erop letten dat hetzij reactie-stopper A, hetzij reactie-stopper B aan de staaf betonijzer zit.
- (6) Haal de trekkerschakelaar over en knip de staaf betonijzer op maat.

VOORZICHTIG

- Om een veilige bediening te waarborgen is deze machine zo ontworpen dat demotorschakelaar niet per abuis kan worden ingeschakeld. Wanneer u de machineaan zet, dient u de vergrendelknop in te drukken en vervolgens detrekkerschakelaar over te halen (Afb. 2). Als de trekkerschakelaarovergehaald wordt zonder eerst de vergrendelknop in te drukken, kan deschakelaar beschadigd raken. Wees dus voorzichtig wanneer u de machine aanzet.
- Zelfs na het knippen dient u de trekker overgehaald te houden totdat de motor terug begint te draaien en het snijblad van de schaar weer open gaat. Als u de trekkerschakelaar te vroeg los laat, zal het snijblad niet naar zijn oorspronkelijke plaats terug kunnen keren en zult u de trekker nog eens moeten overhalen.

2. Verwijderen van de staaf betonijzer tijdens het knippen. (Afb. 4)

Als u de trekkerschakelaar loslaat tijdens het knippen, kan de schaar halverwege stil komen te staan zodat de staaf klem komt te zitten in de machine.

Als dit gebeurt kunt u de trekker nog eens overhalen en vervolgens de staaf inkorten, of u kunt de staaf uit de machine proberen te halen door het bovenste snijblad met de volgende procedure in zijn oorspronkelijke stand terug te brengen. (Afb. 4)

○ Verwijderen (Afb. 5)

Zet de instelschijf op "RETURN", zoals aangegeven in Afb. 5 en haal dan de trekker nog een keer over.

GEbruIKSDUUR EN VERVANGEN VAN DE SCHAAR

1. Gebruiksduur van de schaar (Afb. 6)

In de loop der tijd zullen de snijbladen van de schaar slijten en zullen de snijvlakken gedeukt en vervormd raken. Als u de schaar in een dergelijke toestand blijft gebruiken, zal de machine op den duur schade oplopen en is het mogelijk dat er fragmenten van de snijbladen af zullen schieten. Zoals aangegeven op Afb. 5, is de schaar op twee plaatsen uitgerust met snijbladen. Elk snijblad kan twee keer gebruikt worden door de klemoppervlakken voor en achter om te wisselen. Om te voorkomen dat dat er een versleten snijblad met gedeukt en vervormd snijvlak gebruikt wordt, raden wij u aan het klemoppervlak van de snijbladen te wisselen nadat er ongeveer 2500 staven betonijzer geknipt zijn (standaard). Vervang in andere gevallen de snijbladen door een set nieuwe.

2. Wisselen van het klemoppervlak van de snijbladen en vervangen daarvan. (Afb. 7)

- (1) Haal de trekker lichtjes over en laat het bovenste snijblad langzaam bewegen. Wanneer de inbusbout die het bovenste snijblad vasthoudt uit de afdekking tevoorschijn komt, schakelt u de stroom uit (OFF) en laat u de motor stoppen.
- (2) Haal de stekker uit het stopcontact.

3. Verwijderen

WAARSCHUWING!

- Vergeet niet de stroom uit (OFF) te schakelen en de stekker uit het stopcontact te halen om ongelukken te voorkomen.
- Als u de inbusbout met de meegeleverde inbusleutel los gedraaid heeft, kunt u het snijblad verwijderen. (Als u de schaar-bescherming in de richting van de pijl op Afb. 7 duwt, is het makkelijker het bovenste snijblad te verwijderen.)

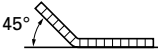
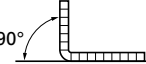
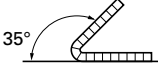
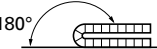
4. Monteren

- (1) Verwijder met een schone, zachte doek stof en vuil rond de plek waar het snijblad gemonteerd moet worden.
- (2) Doe het snijblad op zijn plek zodat de snijvlakken tegenover elkaar staan. (M)
- (3) Draai de inbusbout stevig vast met de inbusleutel.

GEbruIK VAN DE MACHINE (BUIGEN)

WAARSCHUWING!

- Vergeet niet dat deze machine geen handgereedschap is. U mag de machine alleen gebruiken als deze op een stabiele ondergrond, zoals de vloer, de grond enz. is geplaatst.
 - Breng uw hand nooit in de buurt van de buigrol wanneer de machine in gebruik is.
 - Buig geen andere materialen dan betonijzer. Als u dat toch probeert, kan het materiaal dat u wilt buigen versplinteren en in het rond vliegen.
 - U kunt twee staven betonijzer van 10 mm tegelijkertijd buigen, maar u kunt slechts een enkele staaf van 13 mm per keer buigen.
 - Vergeet niet dat de schaar ook zal bewegen tijdens het knippen. Vergeet dus nooit de schaar-bescherming dicht te doen.
 - Begin alleen dan de machine te gebruiken wanneer u er zeker van bent dat er zich niemand in de straal van het te buigen materiaal bevindt.
 - Houdt tenminste 120 mm lengte over aan het verbogen uiteinde van de staaf betonijzer die u wilt gaan buigen. Als u dit extra stuk niet lang genoeg neemt, is het mogelijk dat de staaf los komt bij het buigen, of dat de staaf op gevaarlijke wijze verplintert. (Afb. 9)
 - Let er op dat de staaf betonijzer op de juiste manier in de rol gezet wordt. Als de staaf uit de rol steekt, kan de staaf betonijzer los komen tijdens het buigen en versplinteren.
- #### 1. Instellen van de buighoek met de instelschijf.
- De staaf kan worden gebogen aan de hand van de hoeken zoals aangegeven op de instelschijf en zoals te zien is in Afb. 15.

Aanduiding op de schijf	45°	90°	135°	180°
Resulterende vorm van de staaf betonijzer.				

Afb. 15

Wanneer u staven betonijzer van 10 mm of van 13 mm bij dezelfde stand van de instelschijf buigt, kunnen de uiteindelijke buighoeken enigszins verschillen vanwege de verschillende doorsnedes van de staven. Wij raden u daarom aan de instelschijf enigszins aan te passen aan de verschillende doorsnedes van de staven betonijzer die u gebruikt wanneer u staven met verschillende doorsnedes in dezelfde hoek gebogen wilt hebben, zoals aangegeven in **Afb. 8**. U zult de beste resultaten boeken wanneer u de instelschijf voor een staaf met een doorsnede van 10 mm dichtert bij de linker kant van de hoek-aanduiding zet en voor staven met een doorsnede van 13 mm dichtert bij de rechter kant van de hoekaanduiding.

OPMERKING

Zelfs bij dezelfde stand van de instelschijf is het mogelijk dat de buighoek afwijkt wanneer de doorsnede of de hardheid van de gebruikte staaf betonijzer afwijkt. U dient de hoekaanduidingen te zien als een grove richtlijn voor de resulterende buighoek.

2. Gewoon buigen.

- (1) Zet de machine met de draaitafel boven zoals aangegeven in **Afb. 10**.
- (2) Controleer of de afdekking dicht is.
- (3) Zet de instelschijf in de gewenste stand.
- (4) Plaats de staaf betonijzer op de stopper van de midden-plaat en breng deze in de juiste stand zoals aangegeven in **Afb. 9**.
- (5) Haal de trekkerschakelaar over en buig de staaf betonijzer.
- (6) Houd de trekkerschakelaar overgehaald tot de motor terug begint te draaien en de buigrol terug begint te keren naar zijn oorspronkelijke positie. (Wanneer de buigrol eenmaal begint terug te keren zal deze automatisch helemaal teruggaan naar zijn oorspronkelijke positie, ook al laat u de trekkerschakelaar los.)

3. Op het oog buigen.

Omdat deze machine uitgerust is met een variabele-snelheid schakelaar, kunt u de staaf op het oog tot de gewenste hoek laten buigen in aanvulling op het gebruik van de instelschijf.

- (1) Zet de instelschijf op een grotere hoek dan u wilt bereiken.
- (2) Haal de trekkerschakelaar lichtjes over en laat de staaf betonijzer langzaam buigen.
- (3) Laat de trekkerschakelaar los wanneer de staaf betonijzer de gewenste hoek heeft bereikt. Haal vervolgens de trekkerschakelaar nog eens over en laat de buigrol terugkeren naar zijn oorspronkelijke positie. Haal de trekkerschakelaar nog eens over als de buighoek nog te klein is naar uw zin.

- (4) Haal de staaf betonijzer uit de machine nadat de gewenste buighoek bereikt is. Haal vervolgens de schakelaar nog eens over en laat de buigrol terugkeren naar zijn oorspronkelijke positie. (Houd de schakelaar ingedrukt tot de buigrol begint terug te keren.)

4. Verwijderen van de staaf betonijzer tijdens het buigen

Wanneer u langzaam "op het oog" aan het buigen bent, is het mogelijk dat de staaf betonijzer vanwege de buiging vast komt te zitten met de buigrol. Als dit gebeurt kunt u de buigrol naar zijn oorspronkelijke positie laten terugkeren door de schakelaar nogmaals over te halen nadat u de instelschijf op "RETURN" heeft gezet. Dit is dezelfde methode als die om de staaf te verwijderen wanneer deze vast komt te zitten bij het knippen. (**Afb. 11**)

5. Gebruik van de meetplaat voor de buighoek

De in deze machine gebruikte afdekking is uitgevoerd als een meetplaat voor de buighoek zodat u de buighoek van de staaf betonijzer kunt meten na het buigen. Uit ervaring weten we dat dit een handig hulpmiddel is.

Van boven gezien, zoals in **Afb. 12**, laat het punt waar de aangegeven lijn en de staaf samenkomen de buighoek zien. (Vergeet niet dat u een andere lijn moet aanhouden bij een andere staafdoorsnede.)

6. Gebruik van het bevestigingsgat.

In het midden van de machine is een gat aangebracht zodat de machine vastgezet kan worden. Bij gebruik op de hieronder beschreven wijze komt dit gat bij uitstek van pas. (**Afb. 13**)

- Buigen met de machine vastgezet op een werkbank. Dit gat komt bij uitstek van pas wanneer de machine vastgezet wordt op een daarvoor geschikte werkbank. (Boutmaat M10, minder dan W3/8.)

ONDERHOUD EN INSPECTIE

WAARSCHUWING!

Om ongelukken te voorkomen moet u altijd de stroom uitschakelen (OFF) en de stekker uit het stopcontact halen.

1. Inspectie van de bevestigingsschroef:

Alle bevestigingsschroeven worden regelmatig geïnspecteerd en gecontroleerd of zij juist aangedraaid zijn. Wanneer één van de schroeven losraakt, dan moet deze onmiddellijk opnieuw aangedraaid worden. Gebeurt dat niet, dan kan dat tot aanzienlijke gevaren leiden.

2. Onderhoud van de motor

De motorwikkeling is het "hart" van het elektrische gereedschap. Er moet daarom bijzonder zorgvuldig op gelet worden, dat de wikkeling niet beschadigd en/of met olie of water bevochtigd wordt.

3. Inspectie van de koolborstels (Afb. 3)

Bij de motor zijn koolborstels gebruikt, die onderhevig zijn aan slijtage. Buitengewoon versleten koolborstels leiden tot problemen bij de motor. Dientengevolge dienen de koolborstels vervangen te worden met borstels die hetzelfde nummer hebben als de afbeelding aantoont, wanneer de koolborstel versleten, of bijna versleten is. Bovendien moeten de koolborstels altijd schoon zijn en zich in vrij de borstelhouders bewegen kunnen.

4. Vervangen van koolborstels. (Afb. 13, Afb. 14)

Draai de schroeven los en verwijder de afdekking van het staartstuk. Verwijder de doppen van de koolborstels en de koolborstels zelf. Vergeet niet de doppen van de koolborstels weer goed vast te zetten en de afdekking van het staartstuk weer vast te zetten met de schroeven nadat u de koolborstels heeft vervangen.

AANTEKENING

Op grond van het voortdurende research- en ontwikkelingsprogramma van HITACHI zijn veranderingen van de hierin genoemde technische opgaven voorbehouden.

Informatie betreffende luchtgeluid en trillingen

De gemeten waarden zijn verkregen overeenkomstig EN610029.

Het doorsnee A-gewogen geluidrukniveau is 72 dB (A)
Draag gehoorbescherming.

De doorsnee gewogen effectieve acceleratiewaarde is gelijk aan of minder dan 2,5 m/s²

PRECAUCIONES GENERALES PARA OPERACIONES

¡ADVERTENCIA! Cuando utilice herramientas eléctricas, tome las medidas de seguridad básicas para reducir el riesgo de incendios, descargas eléctricas, y lesiones, incluyendo lo siguiente. Lea todas estas instrucciones antes de utilizar este producto y guárdelas.

Para realizar operaciones seguras:

1. Mantener el área de trabajo limpia. Áreas y bancos de trabajo desordenados son causa de daños personales.
2. Considerar el medio ambiente del área de trabajo. No exponer las herramientas eléctricas a la lluvia. No usar herramientas eléctricas en lugares mojados o húmedos. Mantener el área de trabajo bien iluminada. No utilizar herramientas eléctricas cuando exista el riesgo de incendios o de explosión.
3. Protegerse contra descargas eléctricas. Evitar el contacto del cuerpo con las superficies puestas a tierra. (p. ej., tubos, radiadores, hornos de microondas, o refrigeradores.)
4. Mantener a los niños alejados. No dejar que los visitantes toquen las herramientas ni los cables de extensión. Todos los visitantes deberán mantenerse alejados del área de trabajo.
5. Guardar las herramientas que no se usen y ponerlos en lugares secos, altos o cerrados, fuera del alcance de los niños.
6. No forzar las herramientas. Estas trabajarán más y con mayor seguridad cuando cumplan con las especificaciones para las cuales fueron diseñadas.
7. Usar las herramientas apropiadas. No forzar pequeñas herramientas o accesorios a realizar el trabajo de herramientas de mayor potencia. No utilizar herramientas para otros propósitos para los cuales no fueron diseñadas, por ejemplo, no utilizar sierras circulares para cortar ramas de árboles o troncos.
8. Vestir apropiadamente. No ponerse ropas que queden flojas ni tampoco joyas. Estas podrían quedar atrapadas en las partes móviles de las herramientas. Cuando trabaje en exteriores, se recomienda el uso de guantes de goma y calzado que no resbale.
9. Usar gafas de protección. Usar también mascarillas contra el polvo si las condiciones de corte fuesen polvorientas.
10. Conectar un equipo colector de polvo. Si existen dispositivos para la conexión de equipos de extracción y recolección de polvo, cerciórese de que éstos estén conectados adecuadamente, y de utilizarlos en la forma correcta.
11. Cuidar del cable. Nunca lleve las herramientas colgando del cable, tampoco tire del cable para efectuar la desconexión de las herramientas. Mantener el cable alejado del calor, aceite y bordes agudos.
12. Asegurar la pieza de trabajo usando para ello abrazaderas o un tornillo. Esto es más seguro que usar las manos, además, ambas manos quedan libres para operar la herramienta.
13. No extenderse excesivamente para efectuar un trabajo. Mantener en todo momento un buen balance y base de apoyo.
14. Mantener cuidadosamente las herramientas. Tenerlas siempre limpias y afiladas para obtener un mejor rendimiento y un funcionamiento más seguro. Seguir siempre las instrucciones para la lubricación y el cambio de accesorios. Inspeccionar periódicamente los cables de las herramientas y si estuviesen dañados, hacer que los reparen técnicos o expertos. Inspeccionar periódicamente los cables de extensión y cambiarlos si estuviesen dañados. Mantener los mangos secos, limpios, y libres de aceite y grasa.
15. Desconectar las herramientas cuando no se usen, antes de repararlas, y cuando se cambien accesorios como por ejemplo, cuchillas, brocas, cortadores, etc.
16. Quitar las cuñas y las llaves de tuercas. Acostumbrarse a comprobar si se han quitado las cuñas y las llaves de tuercas antes de poner las herramientas en funcionamiento.
17. Evitar puestas en funcionamiento sin fin alguno. No llevar las herramientas con los dedos en los interruptores mientras que éstas están conectadas. Cuando se conecten las herramientas, cerciorarse de que los interruptores estén en la posición de desconectados.
18. Para usos en exteriores usar cables de extensión. Cuando las herramientas vayan a ser usadas en exteriores, usar solamente cables de extensión diseñados para tal propósito.
19. Estar siempre alerta y poner atención a lo que se está haciendo, usar el sentido común y no operar con la herramienta cuando esté cansado.
20. Comprobar las piezas dañadas. Antes de seguir con el funcionamiento de las herramientas, las piezas que estén dañadas deberán comprobarse cuidadosamente para determinar si pueden funcionar apropiadamente y cumplir con la función para las que fueron diseñadas. Comprobar el alineamiento y agarrotamiento de piezas móviles, rotura de piezas, montura, y cualquier otra anomalía que pudiese afectar al rendimiento de la herramienta. Cualquier pieza que estuviese dañada deberá repararse apropiadamente o cambiarse en un centro de reparaciones autorizado, al menos que se indique lo contrario en este manual de instrucciones. Procurar que los interruptores defectuosos los cambie un centro de reparaciones autorizado. No usar las herramientas si sus interruptores no funcionasen apropiadamente.
21. Advertencia La utilización de cualquier accesorio o aditivo no recomendado en este manual de instrucciones puede conducir al riesgo de lesiones.
22. En caso de avería, haga que su herramienta sea reparada por un técnico cualificado. Esta herramienta eléctrica está de acuerdo con los requisitos de seguridad pertinentes. Las reparaciones solamente deberán realizarlas técnicos cualificados utilizando piezas de repuesto originales. De lo contrario, el usuario podría lesionarse.

PRECAUCIONES SOBRE EL USO DE LA CORTADORA/CURVADORA PORTATIL PARA VARILLAS

¡ADVERTENCIA!

1. La unidad debe utilizarse siempre a la tensión nominal especificada en la placa de características. Una tensión superior a la indicada en la placa de características podrá producir una velocidad de rotación peligrosamente elevada, con riesgos de lesiones.
2. Evite realizar trabajos que excedan la capacidad máxima indicada en las especificaciones de la unidad. No corte ni curve nunca materiales duros como PC (hormigón prefabricado), acero, etc. Los materiales de este tipo tienden a partirse en trozos y producir lesiones.
3. Si la unidad no funciona correctamente o escucha ruidos anormales, desconecte inmediatamente el interruptor y detenga la operación. Póngase en contacto con la tienda donde compró la unidad o con un centro de servicio autorizado de Hitachi, y solicite una inspección y/o reparación. El continuar usando la unidad sin llevar a cabo una inspección y reparación podría producir lesiones.

4. Asegúrese de comprobar que la cubierta de la cortadora se encuentre cerrada. Si deja la cubierta abierta, la cortadora podría ponerse en contacto con otros objetos y provocar un accidente grave. (Fig.1)
5. Al conectar los interruptores, asegúrese de no colocar su mano cerca de la cortadora, del tope de reacción o del rodillo de curvar. Si deja la mano cerca de estos componentes podrá sufrir lesiones graves.
6. Si la unidad se ha caído o golpeado accidentalmente contra algún objeto, inspecciónela detenidamente y compruebe la inexistencia de daños, grietas o deformaciones en la cortadora y en la unidad.

PRECAUCIONES:

- Instale la cortadora y los accesorios correctamente, de acuerdo con las instrucciones de manejo. Si no se instalan correctamente, podrían desprenderse y producir lesiones.
- Asegúrese de desenchufar el cable de alimentación del tomacorriente antes de realizar cualquier inspección, limpieza o reemplazo de la cortadora. De lo contrario, podrían producirse lesiones graves.

ESPECIFICACIONES

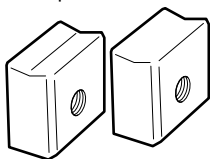
Voltaje	230 V ~	
Potencia de entrada	285 W	
Capacidades	(1) Material; Varilla "Rebar" (GRADO 460 (Inglaterra), BST 500 (Alemania), B500 (España) o material equivalente) (2) Diámetro del material: 8 – 13 mm	
Número de pieza(s) que se puede procesar a la vez	Corte 10 mm 1 pieza 13 mm 1 pieza	Curvado 10 mm 2 piezas 13 mm 1 pieza
Peso	11,5 kg (excluyendo el cordón)	

ACCESORIOS ESTANDAR

- (1) Llave Allen (para perno de cabeza hexagonal M5) 1 (fijada a la unidad)
- (2) Un juego de cortadoras 1 (fijado a la unidad)

ACCESORIOS OPCIONALES (Vendidos aparte)

- Cortadora
* Un juego de dos piezas



APLICACIONES

- (1) Corte de varillas
- (2) Curvado de varillas

ANTES DE LA PUESTA EN MARCHA

¡ADVERTENCIA!

Verifique los siguientes puntos antes de intentar el uso. Con respecto a los puntos 1-6, asegúrese de realizar la verificación antes de enchufar el cable de alimentación en el tomacorriente.

1. Alimentación

Asegúrese de que la fuente de alimentación que ha de ser utilizada cumpla con los requerimientos de alimentación especificados en la placa de características del producto.

2. Interruptor de alimentación

Asegúrese de que el interruptor de alimentación esté en la posición OFF. Si conectase la clavija a un tomacorriente con el interruptor de alimentación en la posición ON, la herramienta eléctrica empezaría a funcionar imprevisiblemente, y podría producirse un accidente grave.

3. Cable prolongador

Cuando el área de trabajo esté alejada de la fuente de alimentación, utilice un cable prolongador de suficiente grosor y capacidad nominal. El cable prolongador deberá ser lo más corto posible.

PRECAUCIÓN

Si el cable está dañado, reemplácelo o repárelo.

4. Preparación y confirmación del entorno de trabajo

Verifique que el lugar de trabajo cumpla con las condiciones indicadas en el punto 1 de las precauciones operaciones generales.

5. Para fines de seguridad, utilice la llave Allen suministrada para cerciorarse de que el perno de cabeza hexagonal está firmemente apretado. El uso de la unidad con el perno flojo produciría daños a la unidad y a la cortadora, e implicaría riesgos de accidentes.

6. Confirmación de la condición de afilado de la cortadora

Asegúrese de que la cortadora esté debidamente afilada. El uso de la unidad con la cortadora gastada y deformada y con los bordes desafilados produciría daños a la unidad y a la cortadora así como riesgos de accidentes.

7. Verificación del estado del tomacorriente

Cuando el tomacorriente esté defectuoso o cuando la clavija se salga fácilmente al enchufar el cable de alimentación, significa que es necesario repararlo. Solicite la reparación al centro de servicio eléctrico más cercano. El uso de un tomacorriente defectuoso podrá provocar recalentamientos y accidentes.

ILUSTRACION PICTORICA Y EXPLICACION

Leer las instrucciones de manejo antes del uso.

No usar estas herramientas eléctricas en condiciones húmedas.

Si conecta el interruptor inmediatamente después de desconectarlo, podría suceder que el motor no funcione. Vuelva a conectar el interruptor después de esperar por lo menos 1 segundo.

Comenzar la operación sólo después de estar absolutamente seguro de que no hay ninguna persona dentro del margen de rotación del material que se va a curvar.

No acercarse nunca la mano a la cortadora durante la operación.

No sobrepasar nunca las capacidades máximas de trabajo. (Diámetro de la varilla 13 mm).

(Curvado)

- 1 Cerrar la cubierta.
- 2 Seleccionar el ángulo de curvado.
- 3 Poner la varilla.
- 4 Tirar del disparador.

(Corte)

- 1 Abrir la cubierta.
- 2 Seleccionar CUT.
- 3 Poner la varilla.
- 4 Tirar del disparador.

(Retorno a mitad del recorrido)

- 1 Seleccionar RETURN con el dial.
- 2 Tirar del disparador.

Para los detalles, consultar las instrucciones de manejo.

NOTAS SOBRE EL USO (CORTADORA)

¡ADVERTENCIA!

- Tenga en cuenta que esta no es una herramienta de mano. Es absolutamente necesario asegurarse de usar la unidad sólo después de colocarla sobre un sitio estable como el piso, el suelo, etc.
- No acerque nunca su mano a la cortadora durante la operación.

- No acerque nunca su mano a los topes de reacción A y B durante la operación.
- No corte ningún otro material que no sean varillas. De hacerlo, el material podría fragmentarse y los trozos podrían esparcirse.
- Corte una sola varilla a la vez. No corte nunca dos o más varillas simultáneamente, pues se dañarán la unidad y las cuchillas.
- El rodillo de curvar también se mueve durante la operación de corte. Nunca acerque su mano al rodillo de curvar.

1. Corte normal (Fig. 3)

- (1) Gire la palanca en la dirección de la flecha y abra la cubierta.
- (2) Ponga el dial de ajuste en la posición de corte ("Cut"). (Gire el dial de ajuste completamente en el sentido de las agujas del reloj). (Fig. 3)
- (3) Ponga la unidad en la posición indicada en la Fig. 3.
- (4) Coloque la varilla a cortar en la cortadora inferior.
- (5) Una vez que haya colocado la varilla, asegúrese de que uno de los topes de reacción A o B esté mordiendo la varilla.
- (6) Tire del interruptor de disparo y corte la varilla.

PRECAUCION

- Para la seguridad de funcionamiento, esta unidad ha sido diseñado de manera tal que no sea posible conectar inadvertidamente el interruptor. Para conectar la herramienta, pulse el botón de bloqueo y luego tire del interruptor de disparo (Fig. 2). Tenga en cuenta que el interruptor de disparo podría dañarse si tira del mismo sin haber pulsado previamente el botón de bloqueo. Por lo tanto, preste atención al conectar la herramienta.
- Aunque haya terminado de realizar el corte, continúe tirando del interruptor de disparo hasta que el motor comience a funcionar en dirección opuesta y la cortadora inicie el retorno. De liberar el interruptor de disparo prematuramente, la cortadora no retornará y será necesario volver a tirar del interruptor de disparo.

2. Extracción de la varilla durante la operación de corte. (Fig. 4)

Si libera el interruptor de disparo a mitad del corte, la cortadora podría detenerse en una posición intermedia y la varilla quedaría atascada en la unidad. Si así sucede, podrá tirar del interruptor de disparo otra vez y cortar la varilla o bien liberar la varilla volviendo a poner la cortadora superior en la posición inicial mediante el siguiente procedimiento. (Fig. 4)

○ Extracción (Fig. 5)

Coloque el dial de ajuste en la posición "RETURN" tal como se indica en la Fig. 5 y tire del interruptor de disparo otra vez.

VIDA DE SERVICIO Y REEMPLAZO DE LA CORTADORA**1. Vida de servicio de la cortadora (Fig. 6)**

Tras repetidas operaciones de corte, es inevitable que la cuchilla de la cortadora se desgaste y que los bordes de la hoja queden alabeados y con hendiduras. Si continúa usando la cortadora sin corregir tales imperfecciones, la unidad se dañaría y los fragmentos podrían salir despedidos de la cortadora. Tal como se puede apreciar en la Fig. 5, la cortadora está provista de cuchillas en dos lugares. Cada cuchilla puede utilizarse dos veces cambiando las caras de fijación anterior y posterior. Para evitar el uso de una cuchilla gastada con los bordes deformados y con hendiduras, se recomienda cambiar la cara de fijación de la cortadora después de cortar aproximadamente 2.500 varillas (estándar). De lo contrario, deberá reemplazar las cuchillas por otras nuevas.

2. Cambio de la cara de fijación de la cortadora y reemplazo (Fig. 7)

- (1) Tire ligeramente del interruptor y deje que la cortadora superior se mueva lentamente. Cuando el perno de cabeza hexagonal que fija a la cortadora superior salga de la cubierta de leva, desconecte el interruptor y detenga el motor.
- (2) Desenchufe el cable de alimentación del tomacorriente.

**3. Desmontaje
¡ADVERTENCIA!**

- Para evitar accidentes, es imperativo asegurarse de desconectar el interruptor y de desenchufar el cable de alimentación del tomacorriente.
- Sacando el perno de cabeza hexagonal con la llave Allen suministrada, podrá desmontar la cortadora. (Si empuja el protector de la cortadora hacia arriba en la dirección de la flecha indicada en la Fig. 7, se facilitará el desmontaje de la cortadora superior).

4. Montaje

- (1) Utilizando un paño suave y limpio, elimine el polvo acumulado sobre la parte de montaje de la cortadora.
- (2) Ponga la cortadora en la parte de montaje con las cuchillas de la cortadora (M) enfrentadas entre sí.
- (3) Asegure firmemente el perno de cabeza hexagonal utilizando la llave Allen.

NOTAS SOBRE EL USO (CURVADORA)**¡ADVERTENCIA!**

- Tenga en cuenta que esta no es una herramienta de mano. Es absolutamente necesario asegurarse de usar la unidad sólo después de colocarla sobre un sitio estable como el piso, el suelo, etc.
- No acerque nunca su mano al rodillo de curvar durante la operación.
- No intente curvar ningún otro material que no sean varillas. De hacerlo, el material podría fragmentarse y los trozos podrían salir despedidos.
- Podrá curvar simultáneamente dos varillas de 10 mm, pero las de 13 mm sólo deberán curvarse una por una.
- Recuerde que la cortadora se mueve incluso durante la operación de curvado, por lo tanto, cierre sin falta la cubierta de la curvadora.
- Comience la operación sólo después de asegurarse de que no haya ninguna persona dentro del margen de rotación del material que se va a curvar.
- Reserve una longitud extra de por lo menos 120 mm del largo de curvado de la varilla a curvar. Si esta longitud extra no es suficiente, la varilla podría desprenderse durante la operación de curvado o romperse en fragmentos y esparcirse peligrosamente (Fig. 9).
- Asegúrese de colocar correctamente la varilla en el rodillo. Si la varilla sobresale del rodillo, aquélla podría desprenderse durante la operación de curvado y sus fragmentos podrían salir despedidos.

1. Ajuste de los ángulos de curvado mediante el dial de ajuste.

La barra puede curvarse según los ángulos indicados en el dial de ajuste, tal como se observa en la Fig. 15.

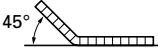
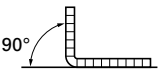
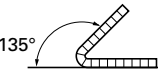
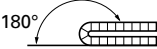
Indicación del dial	45°	90°	135°	180°
Condición de la varilla.				

Fig. 15

Cuando curve varillas de 10 mm y de 13mm en la misma posición del dial, los ángulos de curvado podrían diferir ligeramente debido a la diferencia de diámetro de la barra. Por consiguiente, aunque utilice el mismo ajuste de ángulo, se recomienda cambiar ligeramente la posición del dial para diferentes diámetros de barra, tal como se indica en el Fig. 8.

Usted podrá curvar la varilla a un ángulo similar a la indicación del dial si coloca la varilla de 10mm a la izquierda de la marca de ángulo y la varilla de 13 mm a la derecha de la marca de ángulo.

NOTA

Incluso a una misma posición de ajuste del dial, el ángulo de curvado podría diferir en algunos casos si el diámetro o la dureza de la varilla es diferente. Utilice las marcas de ángulo sólo como una guía de referencia.

2. Curvado normal

- (1) Coloque la unidad en su lugar con su mesa giratoria arriba, tal como se indica en el Fig. 10.
- (2) Asegúrese de que la cubierta esté cerrada.
- (3) Ajuste el dial de ajuste al ángulo deseado.
- (4) Coloque la varilla sobre el tope de la placa central y ajústela correctamente tal como se observa en el Fig. 9.
- (5) Tire del interruptor de disparo y curve la varilla.
- (6) Continúe tirando del interruptor de disparo hasta que el motor comience a girar en dirección opuesta y el rodillo de curvar inicie el retorno. (Una vez que el rodillo de curvar inicie el retorno, volverá a la posición inicial aunque usted suelte el interruptor de disparo).

3. **Curvado mediante medición visual**

Como la unidad utiliza un interruptor de velocidad variable, podrá curvar la varilla mediante medición visual, además de hacerlo mediante el ajuste del dial.

- (1) Ajuste el dial de ajuste a un ángulo mayor que el deseado por usted.
- (2) Tire ligeramente del interruptor de disparo y curve la varilla lentamente.
- (3) Cuando la varilla esté curvada al ángulo deseado, deje de tirar del interruptor. Si aun no está en el ángulo deseado, tire del interruptor otra vez.
- (4) Retire la varilla después de terminar de curvarla. Luego, tire del interruptor una vez más y vuelva a colocar el rodillo de curvar en la posición inicial. (Continúe tirando del interruptor hasta que el rodillo de curvar comience a rotar en sentido inverso).

4. **Extracción de la varilla durante la operación de curvado**

Cuando realice el curvado a baja velocidad en "curvado mediante medición visual", a veces la varilla podría quedar atrapada en el rodillo de curvar debido a su propia flexión.

Si así sucede, podrá volver a colocar el rodillo de curvar en la posición inicial tirando otra vez del

interruptor después de colocar el dial de ajuste en la posición de retorno ("Return"). Este es el mismo método que el utilizado para desmontar una varilla atascada durante la operación de corte. (Fig. 11).

5. **Utilización de la placa de medición del ángulo de curvado**

En la unidad, la cubierta de leva en sí se encuentra diseñada como una placa de medición de ángulos para que usted pueda medir el ángulo de la varilla después de curvarla. Aprenda a utilizar esta característica conveniente. Visto desde arriba como se indica en el Fig. 12, el punto en que coinciden la línea marcada y la varilla muestra el ángulo de curvado. (Recuerde: Dependiendo del diámetro de la barra, deberá utilizar una línea diferente).

6. **Utilización del orificio para fijar la unidad en su lugar**

Se provee un orificio en el centro de la unidad para fijarla y estabilizarla. Este orificio es sumamente conveniente cuando se la utiliza de la siguiente manera. (Fig. 13)

- Operación de curvado con la unidad fijada en un banco de trabajo.
- Este orificio es sumamente conveniente para emperrar la unidad a un banco de trabajo adecuado. (Tamaño del perno M10, menos de W3/8).

MANTENIMIENTO E INSPECCION

¡ADVERTENCIA!

Para evitar accidentes, asegúrese de desconectar el interruptor y de desenchufar el cable de alimentación del tomacorriente.

1. **Inspección de los tornillos de montaje.**
Inspeccione con regularidad todos los tornillos de montaje y asegúrese de que estén correctamente apretados. Si hay algún tornillo flojo, reapriételo inmediatamente. La negligencia en la observación de esta advertencia podría ser sumamente peligroso.
2. **Mantenimiento del motor**
El devanado del motor es el "corazón" mismo de la herramienta eléctrica. Preste suma atención para asegurarse de que el devanado no se dañe y/o se humedezca con aceite o agua.
3. **Inspección de las escobillas de carbón (Fig. 14)**
El motor emplea escobillas de carbón, que son piezas fungibles. Como una escobilla de carbón excesivamente desgastada podría producir averías en el motor, reemplace las escobillas por otras que tengan el mismo número que el indicado en la figura, cuando se hayan desgastado o estén cerca del "límite de uso". Asimismo, mantenga las escobillas de carbón limpias y asegúrese de que se deslicen libremente en los portaescobillas.

4. Reemplazo de las escobillas de carbón. (Fig. 13, 14).

Afloje los tornillos de ajuste y retire la cubierta de cola. Saque las tapas de las escobillas y las escobillas de carbón. Después de reemplazar las escobillas de carbón, no olvide de apretar firmemente las tapas de las escobillas y de montar la cubierta de cola con los tornillos de ajuste.

OBSERVACIÓN

Debido al programa continuo de investigación y desarrollo de HITACHI éstas especificaciones están sujetas a cambio sin previo aviso.

Información sobre el ruido propagado por el aire y vibración

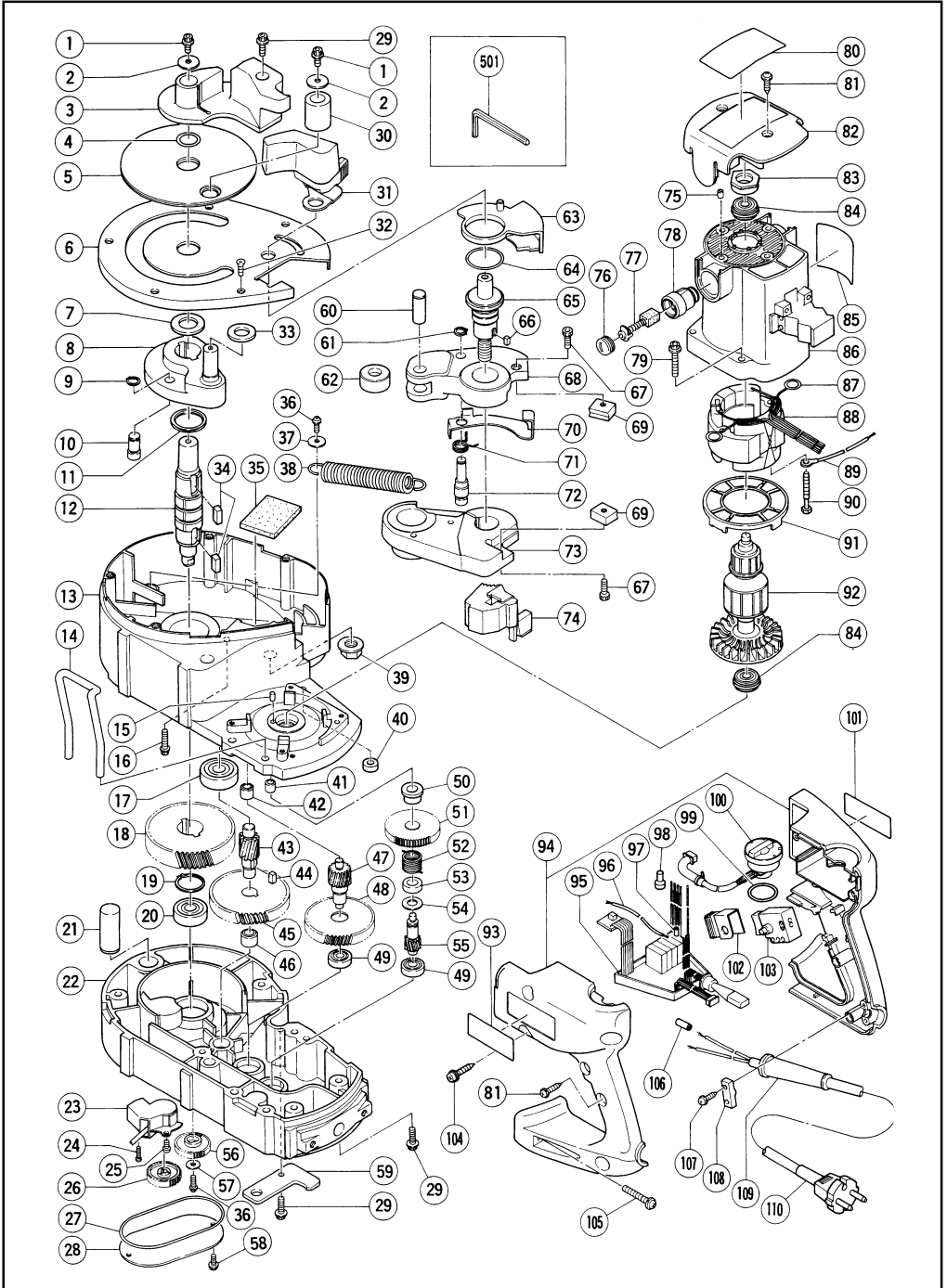
Los valores medidos fueron determinados de acuerdo con EN610029.

El nivel de presión acústica de ponderación A típico es de 72 dB (A)

Utilice protectores para los oídos.

El valor de aceleración de ponderación media cuadrática típico no sobrepasa 2,5 m/s².

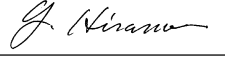
The exploded assembly drawing should be used only for autohized service center.



Item No.	Part Name	
1	Hex. Socket Hd. Bolt	M5 × 12
2	Washer	
3	Center Plate (A)	
4	O-Ring (P-18)	
5	Turn Table	
6	Cam Cover	
7	Felt Packing	
8	Cam	
9	Retaining Ring For D10 Shaft	
10	Lock Pin (B)	
11	V-Ring	
12	Cam Shaft	
13	Inner Cover Ass'y	
14	Stand	
15	Bearing Lock	
16	Hex. Socket Hd. Bolt (W/Flange)	M5 × 20
17	Ball Bearing (6301VVCMP2S-L)	
18	Final Gear	
19	Retaining Ring For D25 Shaft	
20	Ball Bearing (6201VVCMP2S-L)	
21	Pin	D18
22	Gear Cover Ass'y	
23	Sensor Holder Ass'y	
24	Tapping Screw	D3 × 12
25	Machine Screw	M4 × 8
26	Sensor Gear	
27	O-Ring (S-85)	
28	Sensor Cover	
29	Hex. Socket Hd. Bolt (W/Flange)	M5 × 16
30	Roller (B)	
31	Lever (A)	
32	Flat Hd. Screw	M4 × 10
33	Felt Packing	
34	Feather Key	7 × 7 × 15
35	Support (B)	
36	Seal Lock Screw	M4 × 12
37	Thrust Washer	
38	Return Spring	
39	Flange Nut	M12
40	Wrench Holder	
41	Metal	
42	Metal	D8 × 10
43	Third Pinion	
44	Feather Key	5 × 5 × 10
45	Third Gear	
46	Metal (B)	
47	Second Pinion	
48	Second Gear	
49	Ball Bearing (608VVC2PS2L)	
50	Sleeve (B)	
51	First Gear (B)	
52	Clutsh Spring	
53	Collar (A)	
54	Washer	
55	First Pinion (B)	
56	Sensor Gear	
57	Washer (B)	

Item No.	Part Name	
58	Hex. Socket Hd. Bolt (W/Flange)	M4 × 10
59	Steel Bar Guide	
60	Needle	
61	Retaining Ring For D9 Shaft	
62	Roller (C)	
63	Cover	
64	O-Ring (S-34)	
65	Bolt (A)	
66	Feather Key	4 × 4 × 8
67	Hex. Socket Hd. Bolt	M5 × 16
68	Bracket (A)	
69	Cutter	
70	Cutter Guard	
71	Spring (C)	
72	Pin For Spring	
73	Bracket (B)	
74	Dust Guard	
75	Hex. Socket Set Screw	M5 × 8
76	Brush Cap	
77	Carbon Brush	
78	Brush Holder	
79	Hex. Socket Hd. Bolt (W/Flange)	M5 × 30
80	Caution Plate (E)	
81	Tapping Screw (W/Flange)	D4 × 20
82	Tail Cover	
83	Bearing Bushing (B)	
84	Ball Bearing (A)	
85	HITACHI Label	
86	Housing Ass'y	
87	Brush Terminal	
88	Stator Ass'y	
89	Internal Wire	
90	Hex. Hd. Tapping Screw	D5 × 40
91	Fan Guide	
92	Armature	
93	Name Plate	
94	Handle (A) • (B) Set	
95	Controlle Circuit	
96	Internal Wire	
97	Tube (D)	
98	Connector (50091)	
99	O-Ring (S-24)	
100	Volume Holder Ass'y	
101	Caution Plate (D)	
102	Switch Rubber Cover	
103	Switch	
104	Tapping Screw (W/Flange)	D5 × 20
105	Machine Screw (W/Washers)	M5 × 20
106	Tube (D)	
107	Tapping Screw (W/Flange)	D4 × 16
108	Cord Clip	
109	Cord Armor	
110	Cord	
501	Hex. Bar Wrench	4MM

Parts are subject to possible modification without notice due to improvements.

<p>English</p> <p>EC DECLARATION OF CONFORMITY</p> <p>We declare under our sole responsibility that this product is in conformity with standards or standardized documents EN50144, HD400, EN55014, EN60555 and/or EN50082-1 in accordance with Council Directives 73/23/EEC, 89/392/EEC and/or 89/336/EEC.</p> <p>* This declaration is applicable to the product affixed CE marking.</p>	<p>Italiano</p> <p>DICHIARAZIONE DI CONFORMITÀ CE</p> <p>Si dichiara sotto nostra responsabilità che questo prodotto è conforme agli standard o ai documenti standardizzati EN50144, HD400, EN55014, EN60555 e/o EN50082-1 conforme alle direttive 73/23/CEE, 89/392/CEE e/o 89/336/CEE del concilio.</p> <p>* Questa dichiarazione è applicabile ai prodotti cui sono applicati i marchi CE.</p>
<p>Deutsch</p> <p>ERKLÄRUNG ZUR KONFORMITÄT MIT CE-REGELN</p> <p>Wir erklären mit alleiniger Verantwortung, daß dieses Produkt den Standards oder standardisierten Dokumenten EN50144, HD400, EN55014, EN60555 und/oder EN50082-1 in Übereinstimmung mit den Direktiven des Europarats 73/23/EWG, 89/392/EWG und/order 89/336/EWG entspricht.</p> <p>* Diese Erklärung gilt für Produkte, die die CE-Markierung tragen.</p>	<p>Nederlands</p> <p>EC VERKLARING VAN CONFORMITEIT</p> <p>Wij verklaren onder eigen verantwoordelijkheid dat dit produkt conform de richtlijnen of gestandaardiseerde documenten EN50144, HD400, EN55014, EN60555 en/of EN50082-1 voldoet aan de eisen van EEG Bepalingen 73/23/EEG, 89/392/EEG en/of 89/336/EEG.</p> <p>* Deze verklaring is van toepassing op producten voorzien van de CE-markeringen.</p>
<p>Français</p> <p>DECLARATION DE CONFORMITE CE</p> <p>Nous déclarons sous notre seule et entière responsabilité que ce produit est conforme aux normes ou documents normalisés EN50144, HD400, EN55014, EN60555 et/ou EN50082-1 en accord avec les Directives 73/23/CEE, 89/392/CEE et/ou 89/336/CEE du Conseil.</p> <p>* Cette déclaration s'applique aux produits désignés CE.</p>	<p>Español</p> <p>DECLARACIÓN DE CONFORMIDAD DE LA CE</p> <p>Declaramos bajo nuestra única responsabilidad que este producto está de acuerdo con las normas o con los documentos de normalización EN50144, HD400, EN55014, EN60555 y/o EN50082-1, según indican las Directrices del Consejo 73/23/CEE, 89/392/CEE y/o 89/336/CEE.</p> <p>* Esta declaración se aplica a los productos con marcas de la CE.</p>
<div style="display: flex; justify-content: space-between;"> <div data-bbox="81 1027 575 1182"> <p>Hitachi Power Tools Europe GmbH Siemensring 34, 47877 Willich, F. R. Germany Hitachi Koki Co., Ltd. Shinagawa Intercity Tower A, 15-1, Konan 2-chome, Minato-ku, Tokyo, Japan</p> </div> <div data-bbox="714 1027 938 1182" style="text-align: right;"> <p>CE 99</p> <p></p> <p>Y. Hirano</p> </div> </div>	

Hitachi Koki Co., Ltd.