

# HITACHI

---

## Drill Электродрель

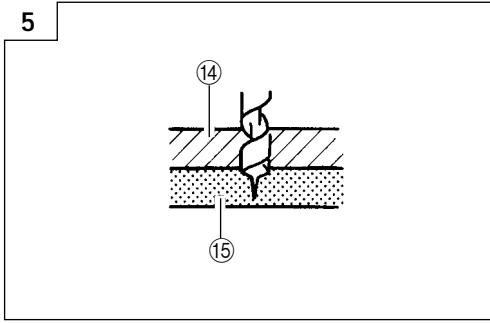
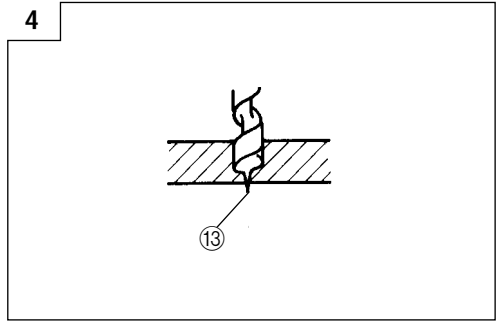
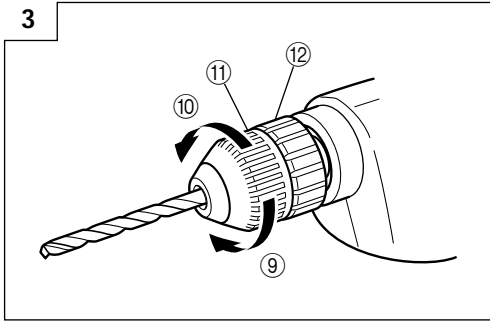
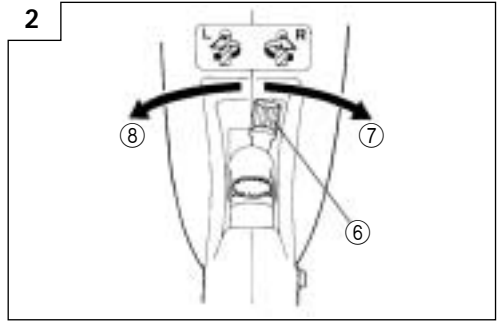
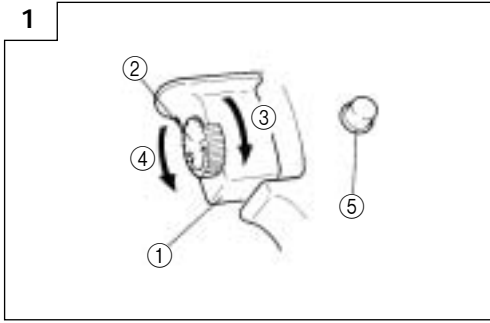
### FD 10VB



Read through carefully and understand these instructions before use.  
Внимательно прочтите данную инструкцию по эксплуатации прежде чем пользоваться инструментом.



Handling instructions  
Инструкция по эксплуатации



	English	Русский
①	Trigger switch	Переключатель спускового механизма
②	Adjusting knob	Ручка настройки
③	High speed	Высокая скорость
④	Low speed	Низкая скорость
⑤	Stopper	Стопор
⑥	Lever	Рычаг
⑦	Right (clockwise)	Вправо (по часовой стрелке)
⑧	Left (counterclockwise)	Влево (против часовой стрелки)
⑨	Tighten	Затянуть
⑩	Loosen	Ослабить
⑪	Sleeve	Обод
⑫	Ring	Кольцо
⑬	When the point appears, turn lumber over.	При появлении точки переверните пиломатериал.
⑭	Lumber to be drilled	Пиломатериал для сверления
⑮	Extra lumber	Дополнительный пиломатериал

---

## GENERAL SAFETY RULES

---

### WARNING!

#### Read all instructions

Failure to follow all instructions listed below may result in electric shock, fire and/or serious injury.

The term "power tool" in all of the warnings listed below refers to your mains operated (corded) power tool or battery operated (cordless) power tool.

### SAVE THESE INSTRUCTIONS

#### 1) Work area

- a) **Keep work area clean and well lit.**  
*Cluttered and dark areas invite accidents.*
- b) **Do not operate power tools in explosive atmospheres, such as in the presence of flammable liquids, gases or dust.**  
*Power tools create sparks which may ignite the dust of fumes.*
- c) **Keep children and bystanders away while operating a power tool.**  
*Distractions can cause you to lose control.*

#### 2) Electrical safety

- a) **Power tool plugs must match the outlet. Never modify the plug in any way. Do not use any adapter plugs with earthed (grounded) power tools.**  
*Unmodified plugs and matching outlets will reduce risk of electric shock.*
- b) **Avoid body contact with earthed or grounded surfaces such as pipes, radiators, ranges and refrigerators.**  
*There is an increased risk of electric shock if your body is earthed or grounded.*
- c) **Do not expose power tools to rain or wet conditions.**  
*Water entering a power tool will increase the risk of electric shock.*
- d) **Do not abuse the cord. Never use the cord for carrying, pulling or unplugging the power tool. Keep cord away from heat, oil, sharp edges or moving parts.**  
*Damaged or entangled cords increase the risk of electric shock.*
- e) **When operating a power tool outdoors, use an extension cord suitable for outdoor use.**  
*Use of a cord suitable for outdoor use reduces the risk of electric shock.*

#### 3) Personal safety

- a) **Stay alert, watch what you are doing and use common sense when operating a power tool. Do not use a power tool while you are tired or under the influence of drugs, alcohol or medication. A moment of inattention while operating power tools may result in serious personal injury.**
- b) **Use safety equipment. Always wear eye protection. Safety equipment such as dust mask, non-skid safety shoes, hard hat, or hearing protection used for appropriate conditions will reduce personal injuries.**
- c) **Avoid accidental starting. Ensure the switch is in the off position before plugging in.**  
*Carrying power tools with your finger on the switch or plugging in power tools that have the switch on invites accidents.*

- d) **Remove any adjusting key or wrench before turning the power tool on.**

*A wrench or a key left attached to a rotating part of the power tool may result in personal injury.*

- e) **Do not overreach. Keep proper footing and balance at all times.**

*This enables better control of the power tool in unexpected situations.*

- f) **Dress properly. Do not wear loose clothing or jewellery. Keep your hair, clothing and gloves away from moving parts.**

*Loose clothes, jewellery or long hair can be caught in moving parts.*

- g) **If devices are provided for the connection of dust extraction and collection facilities, ensure these are connected and properly used.**

*Use of these devices can reduce dust related hazards.*

#### 4) Power tool use and care

- a) **Do not force the power tool. Use the correct power tool for your application.**

*The correct power tool will do the job better and safer at the rate for which it was designed.*

- b) **Do not use the power tool if the switch does not turn it on and off.**

*Any power tool that cannot be controlled with the switch is dangerous and must be repaired.*

- c) **Disconnect the plug from the power source before making any adjustments, changing accessories, or storing power tools.**

*Such preventive safety measures reduce the risk of starting the power tool accidentally.*

- d) **Store idle power tools out of the reach of children and do not allow persons unfamiliar with the power tool or these instructions to operate the power tool.**

*Power tools are dangerous in the hands of untrained users.*

- e) **Maintain power tools. Check for misalignment or binding of moving parts, breakage of parts and any other condition that may affect the power tools operation.**

*If damaged, have the power tool repaired before use.*

*Many accidents are caused by poorly maintained power tools.*

- f) **Keep cutting tools sharp and clean.**

*Properly maintained cutting tools with sharp cutting edges are less likely to bind and are easier to control.*

- g) **Use the power tool, accessories and tool bits etc., in accordance with these instructions and in the manner intended for the particular type of power tool, taking into account the working conditions and the work to be performed.**

*Use of the power tool for operations different from intended could result in a hazardous situation.*

#### 5) Service

- a) **Have your power tool serviced by a qualified repair person using only identical replacement parts.**

*This will ensure that the safety of the power tool is maintained.*

### PRECAUTION

Keep children and infirm persons away.

When not in use, tools should be stored out of reach of children and infirm persons.

---

## PRECAUTIONS ON USING DRILL

---

1. When mounting the drill bit or driver bit, insert it fully into the drill chuck and completely tighten the drill chuck with the chuck wrench.

If mounting is not done properly, it is very dangerous as the drill bit may slip or loosen during operation.

2. Do not wear gloves made of stuff liable to roll up such as cotton, wool, cloth or string, etc.

3. Do not touch the bit during or immediately after operation. The bit becomes very hot during operation and could cause serious burns.
4. When placing the drill on the floor, make sure that the drill has stopped completely.
5. Before drilling into a wall, floor or ceiling, thoroughly confirm that no items such as electric cables or conduits are buried inside.
6. When working in high position, take care of downward direction.

---

## SPECIFICATIONS

---

Voltage (by areas)*	(110V, 115V, 120V, 127V, 220V, 230V, 240V) ~	
Power input	420W*	
No load speed	0-2800 min <sup>-1</sup>	
Capacity	Steel	10 mm
	Wood	25 mm
Weight (without cord)	1.4 kg	

\* Be sure to check the nameplate on product as it is subject to change by areas.

---

## APPLICATIONS

---

### 1. Drilling various materials

- Drilling metal  
Use a metal-working drill bit
- Drilling wood  
Use a wood-working drill bit (However, a metal-working drill bit to make pilot holes for wood screws or holes smaller than 6.5mm.)

### 2. Tightening wood screws

Use the driver bit. Use a Phillips screw for easy tightening.

convenient for the continuous running. When switched off, the stopper can be disconnected by means of pulling the trigger again.

### 2. Adjustment of speed

- (1) The speed is adjustable from zero to maximum speed according to the extent the trigger switch is pulled.
- (2) The maximum speed is adjustable from zero to 2800 min<sup>-1</sup>, with the rotation of adjusting knob.
- (3) Turn the adjusting knob clockwise for higher speed and counterclockwise for lower speed. (Rotate the adjusting knob approximately 1-2/3 turns.) (Fig. 1)
- (4) The switch can be locked with the stopper at any required position irrespective as to how far the adjusting knob has been rotated. Select a proper position according to the required speed for each work.

---

## PRIOR TO OPERATION

---

### 1. Power source

Ensure that the power source to be utilized conforms to the power requirements specified on the product nameplate.

### 2. Power switch

Ensure that the power switch is in the OFF position. If the plug is connected to a receptacle while the power switch is in the ON position, the power tool will start operating immediately, inviting serious accident.

### 3. Extension cord

When the work area is removed from the power source. Use an extension cord of sufficient thickness and rated capacity. The extension cord should be kept as short as practicable.

### 4. Check the tightening of the drill chuck

The drill chuck has been tightened at the factory, but check again that it is in order before use. Turn the drill chuck clockwise to tighten.

### 3. Confirm the direction of bit rotation (Fig. 2)

The bit rotates clockwise (viewed from the rear side) by pushing the R-side of the reversing switch lever. The L-side of the lever is pushed to turn the bit counterclockwise.

### CAUTION:

Never change the direction of bit rotation during operating.

Turn the power switch OFF before changing the direction of bit rotation.

### 4. For use as a drill

#### (1) Mounting drill bit (Fig. 3)

- (1) Open the chuck jaws, and insert the bit into the chuck. To open the chuck jaws, hold the ring while turning the sleeve in the counterclockwise direction (viewed from the front side).
- (2) Firmly grasp the ring and turn the sleeve in the clockwise direction. Tighten securely.
- (3) To remove the bit, firmly grasp the ring and turn the sleeve in the counterclockwise direction.
- (4) If it is hard to loosen the sleeve, fix the spindle using the open-end wrench, hold the sleeve firmly, and turn it in the loosening direction (counterclockwise when viewed from the front).

---

## HOW TO USE

---

### 1. Operation of switch

Pulling the trigger of switch and push the stopper, it keeps, the switched-on condition and it is

(2) How to drill

- ① To use for drilling lumber
- Apply the point of the drill bit to the desired drilling position, hold the drill perpendicular to the workpiece surface and turn on the switch.
  - When drilling a through hole in lumber, remove the drill from the material as soon as the tip of the drill bit protrudes from the opposite surface. Then, turn the workpiece over and complete the drilling from the opposite side to obtain a clean hole. (Fig. 4)  
If extra lumber is applied under the lumber you want to drill and it is drilled together, a fine hole will also be made. (Fig. 5)
  - A wood-working drill need not be pressed strongly since it penetrates using the screw at the point. Even if excessive force is used, a hole will not be made quickly.
- ② To use for drilling metal
- In case you drill metal with a metal-working drill, apply in advance a center punch in the drilling position. You can drill metal stably since the point of the drill does not slip.
  - If you apply sewing machine oil or soapy water to the drill with a brush or an old tooth brush, the drill will last long.
  - Even if more-than-necessary force is used, a hole will not be made quickly.  
On the contrary, the edge of the drill will be damaged. This will decrease operational efficiency and shorten the life of this tool.

**CAUTION:**

Do not expose the motor to water as it may cause motor malfunction and electric shock.

**5. To use the driving wood screws**

- (1) Driver bit
- For driving a slotted head wood screw, the driver bit detaches easily. So use cross-recessed head wood screws as often as possible.
  - Select a driver bit matching the cross-recessed and the slotted groove of the wood screw.
- (2) Pilot hole
- If a pilot hole is made with a drill a little smaller than the diameter of the wood screw, the lumber will not be split and the wood screw will be driven with ease.
- (3) Driving operation
- Put the wood screw lightly in the pilot hole, apply the bit to the screw head groove, turn on the switch and drive the screw.
- 6. Caution to be taken immediately after operation**
- When placing the drill in dusty places before the rotating parts has stopped completely, make sure the machine does not suck in dust and swarf.

---

## MAINTENANCE AND INSPECTION

---

**CAUTION**

Be sure to switch power OFF and disconnect the plug during maintenance and inspection.

**1. Inspecting the drill bits and driver bit**

Since use of an abraded drill bit will cause motor malfunctioning and degraded efficiency, replace the drill bit with a new one or sharpening without delay when abrasion is noted. If you use a driver bit of which point is worn or broken, it will be dangerous since it slips. So replace it with a new one.

**2. Inspecting the mounting screws**

Regularly inspect all mounting screws and ensure that they are properly tightened. Should any of the screws be loose, retighten them immediately. Failure to do so could result in serious hazard.

**3. Servicing**

Consult a Hitachi Authorized Service Center in the event of power tool failure.

**4. Service parts list**

- A: Item No.
- B: Code No.
- C: No. Used
- D: Remarks

**CAUTION**

Repair, modification and inspection of Hitachi Power Tools must be carried out by a Hitachi Authorized Service Center.

This Parts List will be helpful if presented with the tool to the Hitachi Authorized Service Center when requesting repair or other maintenance.

In the operation and maintenance of power tools, the safety regulations and standards prescribed in each country must be observed.

**MODIFICATION**

Hitachi Power Tools are constantly being improved and modified to incorporate the latest technological advancements.

Accordingly, some parts (i.e. code numbers and/or design) may be changed without prior notice.

---

## GUARANTEE

---

We guarantee Hitachi Power Tools in accordance with statutory/country specific regulation. This guarantee does not cover defects or damage due to misuse, abuse, or normal wear and tear. In case of complaint, please send the Power Tool, undismantled, with the GUARANTEE CERTIFICATE found at the end of this Handling instruction, to a Hitachi Authorized Service Center.

---

**NOTE**

Due to HITACHI's continuing program of research and development, the specifications herein are subject to change without prior notice.

---

## **ОБЩИЕ ПРАВИЛА ПО ТЕХНИКЕ БЕЗОПАСНОСТИ**

### **ПРЕДУПРЕЖДЕНИЕ!**

#### **Прочтите руководство по эксплуатации**

*Невыполнение всех приведенных ниже положений данного руководства может привести к поражению электрическим током, пожару и/или к серьезной травме. Термин "электроинструмент" в контексте всех приведенных ниже мер предосторожности относится к эксплуатируемому Вами электроинструменту с питанием от сетевой розетки (с сетевым шнуром) или электроинструменту с питанием от аккумуляторной батареи (беспроводному).*

### **СОХРАНИТЕ ДАННОЕ РУКОВОДСТВО**

#### **1) Рабочее место**

- a) Поддерживайте чистоту и хорошее освещение на рабочем месте.**

*Беспорядок и плохое освещение на рабочих местах приводит к несчастным случаям.*

- b) Не используйте электроинструменты во взрывоопасных окружающих условиях, например, в непосредственной близости от огнеопасных жидкостей, горячих газов или легковоспламеняющейся пыли.**

*Электроинструменты порождают искры, которые могут воспалить пыль или испарения.*

- c) Держите детей и наблюдателей на безопасном расстоянии во время эксплуатации электроинструмента.**

*Отвлечение внимания может стать для Вас причиной потери управления.*

#### **2) Электробезопасность**

- a) Штепсельные вилки электроинструментов должны соответствовать сетевой розетке. Никогда не модифицируйте штепсельную вилку никоим образом.**

*Не используйте никакие адаптерные переходники с заземленными (замкнутыми на землю) электроинструментами.*

*Немодифицированные штепсельные вилки и соответствующие им сетевые розетки уменьшат опасность поражения электрическим током.*

- b) Не прикасайтесь телом к заземленным поверхностям, например, к трубопроводам, радиаторам, кухонным плитам и холодильникам.**

*Если Ваше тело соприкоснется с заземленными поверхностями, возрастает опасность поражения электрическим током.*

- c) Не подвергайте электроинструменты воздействию дождя или влаги.**

*При попадании воды в электроинструмент возрастает опасность поражения электрическим током.*

- d) Правильно обращайтесь со шнуром. Никогда не переносите электроинструмент, взявшись за шнур, не тяните за шнур, и не дергайте за шнур с целью отсоединения электроинструмента от сетевой розетки. Располагайте шнур подальше от источников тепла, нефтепродуктов, предметов с острыми кромками и движущихся деталей.**

*Поврежденные или запутанные шнуры увеличивают опасность поражения электрическим током.*

- e) При эксплуатации электроинструмента вне помещений, используйте удлинительный шнур, предназначенный для использования вне помещений.**

*Использование шнура, предназначенного для работы вне помещений, уменьшит опасность поражения электрическим током.*

#### **3) Личная безопасность**

- a) Будьте готовы к неожиданным ситуациям, внимательно следите за своими действиями и руководствуйтесь здравым смыслом при эксплуатации электроинструмента.**

*Не используйте электроинструмент, когда Вы устали или находитесь под влиянием наркотиков, алкоголя или лекарственных препаратов.*

*Мгновенная потеря внимания во время эксплуатации электроинструментов может привести к серьезной травме.*

- b) Используйте защитное снаряжение. Всегда надевайте средство защиты глаз.**

*Защитное снаряжение, например, противопожарный респиратор, защитная обувь с нескользящей подошвой, защитный шлем-каска или средства защиты органов слуха, используемые для соответствующих условий, уменьшат травмы.*

- c) Избегайте непреднамеренного включения двигателя. Убедитесь в том, что выключатель находится в положении выключения перед подсоединением к сетевой розетке.**

*Переноска электроинструментов, когда Вы держите палец на выключателе, или подсоединение электроинструментов к сетевой розетке, когда выключатель будет находиться в положении включения, приводит к несчастным случаям.*

- d) Снимите все регулировочные или гаечные ключи перед включением электроинструмента.**

*Гаечный или регулировочный ключ, оставленный прикрепленным к вращающейся детали электроинструмента может привести к получению личной травмы.*

- e) Не теряйте устойчивость. Все время имейте надежную точку опоры и сохраняйте равновесие.**

*Это поможет лучше управлять электроинструментом в непредвиденных ситуациях.*

- f) Одевайтесь надлежащим образом. Не надевайте просторную одежду или ювелирные изделия. Держите волосы, одежду и перчатки как можно дальше от движущихся частей.**

*Просторная одежда, ювелирные изделия или длинные волосы могут попасть в движущиеся части.*

- g) Если предусмотрены устройства для присоединения приспособлений для отвода и сбора пыли, убедитесь в том, что они присоединены и используются надлежащим образом.**

*Использование данных устройств может уменьшить опасности, связанные с пылью.*

#### 4) Эксплуатация и обслуживание электроинструментов

**а) Не перегружайте электроинструмент. Используйте надлежащий для Вашего применения электроинструмент.**

*Надлежащий электроинструмент будет выполнять работу лучше и надежнее в том режиме работы, на который он рассчитан.*

**б) Не используйте электроинструмент с неисправным выключателем, если с его помощью нельзя будет включить и выключить электроинструмент.**

*Каждый электроинструмент, которым нельзя управлять с помощью выключателя, будет представлять опасность и его будет необходимо отремонтировать.*

**с) Отсоедините штепсельную вилку от источника питания перед началом выполнения какой-либо из регулировок, перед сменой принадлежности или хранением электроинструментов.**

*Такие профилактические меры безопасности уменьшат опасность непреднамеренного включения двигателя электроинструмента.*

**д) Храните неиспользуемые электроинструменты в недоступном для детей месте, и не разрешайте людям, не знающим как обращаться с электроинструментом или не изучившим данное руководство, работать с электроинструментом.**

*Электроинструменты представляют опасность в руках неподготовленных пользователей.*

**е) Содержите электроинструменты в исправности. Проверьте, нет ли несоосности или заедания движущихся частей, повреждения деталей или какого-либо другого обстоятельства, которое может повлиять на функционирование электроинструментов.**

*При наличии повреждения, отремонтируйте электроинструмент перед его эксплуатацией. Большое количество несчастных случаев связано с плохим обслуживанием электроинструментов.*

**ф) Содержите режущие инструменты остро заточенными и чистыми.**

*Содержащиеся в исправности надлежащим образом режущие инструменты с острыми режущими кромками будут меньше заедать, и будут легче в управлении.*

**g) Используйте электроинструмент, принадлежности, насадки и т.п., в соответствии с данным руководством и определенным типом электроинструмента для выполнения работы по его прямому назначению, принимая во внимание условия и объем выполняемой работы.**

*Использование электроинструмента для выполнения работ не по прямому назначению может привести к опасной ситуации.*

#### 5) Обслуживание

**а) Обслуживание Вашего электроинструмента должно выполняться квалифицированным представителем ремонтной службы с использованием только идентичных запасных частей.**

*Это обеспечит сохранность и безопасность электроинструмента.*

#### МЕРА ПРЕДОСТОРОЖНОСТИ

**Держите подальше от детей и слабых людей. Если инструменты не используются, их следует хранить в недоступном для детей и слабых людей месте.**

#### МЕРЫ ПРЕДОСТОРОЖНОСТИ ПРИ ЭКСПЛУАТАЦИИ ЭЛЕКТРОДРЕЛИ

1. При установке сверла или муфты привода полностью вставьте их в сверлильный патрон, и с помощью патронного гаечного ключа затяните до упора сверлильный патрон.

*Если установка не выполнена надлежащим образом, существует опасность того, что сверло может соскользнуть или ослабиться во время эксплуатации.*

2. Не надевайте перчатки, сделанные из скатывающегося материала, например, хлопка, шерсти, байки или нитяные перчатки и т.п.

3. Не прикасайтесь к головке сверла во время или сразу после эксплуатации. Головка сильно нагревается во время эксплуатации и может привести к серьезным ожогам.

4. Кладя сверло на пол, убедитесь, что оно не работает.

5. Перед сверлением стены, пола или потолка, убедитесь, что в середине нет электрических кабелей или кабелепроводов.

6. Во время работы на высоте следите за направлением вниз.

#### ТЕХНИЧЕСКИЕ ХАРАКТЕРИСТИКИ

Напряжение (по регионам)*	(110В, 115В, 120В, 127В, 220В, 230В, 240В) ∪	
Потребляемая мощность	420Вт*	
Число оборотов холостого хода	0–2800 мин <sup>-1</sup>	
Диаметр бурения	Сталь	10 мм
	Дерево	25 мм
Вес (без шнура)	1,4 кг	

\* Проверьте паспортную табличку на изделии, так как она меняется в зависимости от региона.



---

## ОБЛАСТЬ ПРИМЕНЕНИЯ

---

### 1. Сверление разных материалов

- Сверление металла  
Используйте сверло для работы с металлом
- Сверление дерева  
Используйте сверло для работы с деревом (но для образования направляющих отверстий для шурупов или отверстий для дерева, или образования отверстий меньших чем 6,5 мм, используйте сверло для работы с металлом)

### 2. Зажимные винты для дерева

Используйте муфту привода. Для более легкой затяжки используйте винты Phillips.

---

## ПОДГОТОВКА К ЭКСПЛУАТАЦИИ

---

### 1. Источник электропитания

Проследите за тем, чтобы используемый источник электропитания соответствовал требованиям к источнику электропитания, указанным на типовой табличке изделия.

### 2. Переключатель "Вкл./ Выкл."

Убедитесь в том, что переключатель находится в положении "Выкл.". Если вы вставляете штепсель в розетку, а переключатель находится в положении "Вкл.", инструмент немедленно заработает, что может стать причиной серьезной травмы.

### 3. Удлинитель

Когда рабочая площадка удалена от источника электропитания, пользуйтесь удлинителем. Удлинитель должен иметь требуемую площадь поперечного сечения и обеспечивать работу инструмента заданной мощности. Разматывайте удлинитель только на реально необходимую для данного конкретного применения длину.

### 4. Проверьте затяжку сверлильного патрона

Сверлильный патрон был затянут на фабрике, но проверьте его еще раз перед использованием. Поверните сверлильный патрон по часовой стрелке, чтоб затянуть его.

---

## ИСПОЛЬЗОВАНИЕ

---

### 1. Управление переключателем

Натягивая триггер переключателя, нажмите заглушку, это позволит удерживать включенное состояние и обеспечит непрерывную работу. При выключение заглушка отсоединяется с помощью повторного натягивания триггера.

### 2. Настройка скорости

- (1) Скорость регулируется от нуля до максимального показателя согласно степени натяжки переключателя спускового механизма.
- (2) Максимальная скорость регулируется от нуля до 2800 мин<sup>-1</sup>. с помощью вращения ручки настройки.
- (3) Поверните ручку настройки по часовой стрелке, чтобы увеличить скорость и против часовой стрелки, чтобы уменьшить ее. (Поверните ручку настройки соответственно на 1-2/3 оборота) (Рис. 1)
- (4) Переключатель можно заблокировать с помощью заглушки в необходимой позиции независимо от того, насколько было прокручена ручка настройки. Выберите необходимую позицию согласно необходимой скорости для каждой операции.

### 3. Подтвердите направление вращения головки сверла (Рис. 2)

Головка сверла вращается против часовой стрелки (видно с задней стороны) с помощью нажима правой части рычага переключателя.

Для поворота головки против часовой стрелки нажмите на L-часть рычага.

### ВНИМАНИЕ:

Никогда не меняйте направление вращения головки во время эксплуатации.

Выключите переключатель электропитания перед тем, как менять направление вращения головки.

### 4. Для использования в качестве дрели

#### (1) Установка сверла (Рис. 3)

- (1) Откройте кулачки зажимного патрона и вставьте сверло в зажимной патрон.

Для того чтобы открыть кулачки зажимного патрона, удерживайте кольцо в то время, когда поворачиваете обод в направлении против часовой стрелки (если смотреть спереди).

- (2) Крепко держите кольцо и поверните обод в направлении по часовой стрелке. Надежно затяните.

- (3) Для снятия сверла, крепко держите кольцо и поверните обод в направлении против часовой стрелки.

- (4) Если возникнет затруднение при ослаблении обода, зафиксируйте шпиндель при помощи гаечного ключа с открытым зевом, крепко возьмитесь за обод и поверните его в направлении ослабления (против часовой стрелки, если смотреть спереди).

#### (2) Процесс сверления

- ① Использовать для сверления пиломатериала.

- Поставьте сверло в необходимую позицию сверления, удерживайте сверло перпендикулярно к поверхности рабочего места и включите переключатель.

- Во время сверления сквозного отверстия в пиломатериале, выньте сверло с материала, как только его кончик вылезет с противоположной стороны. После чего, переверните рабочее место и завершите сверление с другой стороны, чтоб получить чистое отверстие. (Рис. 4)

Если под пиломатериалом, который необходимо просверлить, используется дополнительный пиломатериал, который тоже необходимо просверлить, получится единое отверстие. (Рис. 5)

- Нет необходимости нажимать сильно на сверло для работы с деревом, поскольку оно проникает внутрь с помощью винта. Даже применение дополнительной силы не ускорит образования отверстия.

#### ② Использовать для сверления металла.

- В случае сверления металлических предметов с помощью сверла для работы с металлом, сначала необходимо установить кернер в позицию сверления. Теперь возможно устойчиво просверлить металл, поскольку кончик сверла не соскальзывает.

- Нанесение масла для швейных машин или мыльной воды на сверло с помощью щетки или зубной щетки это продлит эксплуатационный срок службы сверла.

- Даже применение дополнительной силы не ускорит образования отверстия.

Кроме того, это повредит край сверла. Это приведет к снижению эксплуатационной мощности и сократить эксплуатационный срок службы сверла.

### ВНИМАНИЕ:

Не допускайте попадания воды на мотор, так как это может привести к сбою и вызвать электрический шок.

## 5. Для использования ходовых винтов для дерева

- (1) Муфта привода
- При запуске прорезной головки винта для дерева муфта привода легко отсоединяется. Поэтому используйте винт с головкой для дерева с крестообразным вырезом как можно чаще.
  - Выберите муфту привода, которая подходит к желобку с крестообразным вырезом и прорезному желобку винта для дерева.
- (2) Направляющее отверстие  
Если направляющее отверстие делается с помощью сверла, меньшего, чем диаметр винта для дерева, пиломатериал не расщиплится, а винт для дерева будет легко управляться.
- (3) Процедура запуска  
Легко поместите винт для дерева в направляющее отверстие, разместите дрель на желобке головки винта и запустите винт.
6. **Придерживайтесь правил безопасности во время прекращения работы.**  
Помещая сверло в пыльное место при неполной остановке вращающихся частей, убедитесь, что машина не всасывает пыль и стружку.

---

## ТЕХНИЧЕСКОЕ ОБСЛУЖИВАНИЕ И ПРОВЕРКА

---

### ВНИМАНИЕ

Убедитесь, что вы отключили питание и отсоединили штепсель во время проведения технического обслуживания и проверки.

#### 1. Осмотр сверла электродрели и муфты привода

Так как использование изношенных сверел приводит к неисправности двигателя и к снижению эффективности, заменяйте сверла новыми или затачивайте сверла сразу же, после обнаружения признаков износа. Использование сверла электродрели, кончик которого износился или поломался, может представлять опасность, поскольку оно скользит. Замените его новым.

#### 2. Проверка установленных винтов

Регулярно проверяйте все установленные на инструменте винты, следите за тем, чтобы они были как следует затянуты. Немедленно затяните винт, который окажется ослабленным. Невыполнение этого правила грозит серьезной опасностью.

#### 3. Обслуживание

В случае повреждения электроинструмента обратитесь в авторизованный сервисный центр Hitachi.

#### 4. Порядок записей по техобслуживанию

- A: Пункт №
- B: Код №
- C: Количество применений
- D: Замечания

### ПРЕДОСТЕРЕЖЕНИЕ

Ремонт, модификацию и осмотр механизированного инструмента фирмы Hitachi следует проводить в авторизованном сервисном центре Hitachi.

Этот перечень запасных частей пригодится при представлении его вместе с инструментом в авторизованный сервисный центр Hitachi с запросом на ремонт или прочее обслуживание.

При работе и обслуживании механизированных инструментов нужно соблюдать правила и стандарты безопасности, действующие в каждой данной стране.

### ЗАМЕЧАНИЕ

Фирма HITACHI непрерывно работает над усовершенствованием своих изделий, поэтому мы сохраняем за собой право на внесение изменений в технические характеристики, упомянутые в данной инструкции по эксплуатации, без предупреждения об этом.

---

### ГАРАНТИЯ

---

Мы гарантируем соответствие автоматических инструментов Hitachi нормативным/национальным положениям. Данная гарантия не распространяется на дефекты или ущерб, возникший вследствие неправильного использования или ненадлежащего обращения, а также нормального износа. В случае подачи жалобы отправляйте автоматический инструмент в неразобранном состоянии вместе с ГАРАНТИЙНЫМ СЕРТИФИКАТОМ, который находится в конце инструкции по обращению, в авторизованный центр обслуживания Hitachi.

---

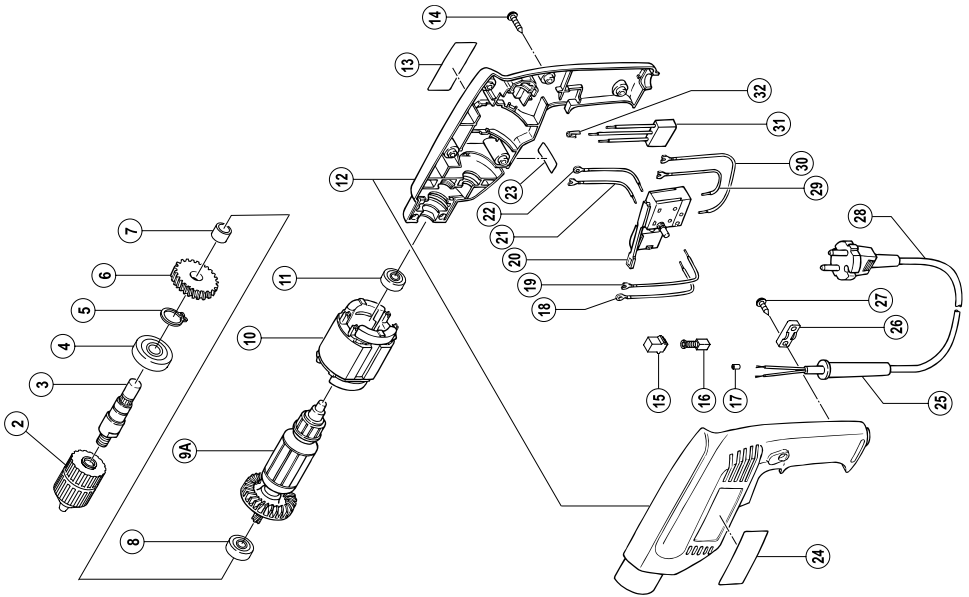
### ПРИМЕЧАНИЕ

---

На основании постоянных программ исследования и развития, HITACHI оставляют за собой право на изменение указанных здесь технических данных без предварительного уведомления.

---

A	B	C	D
2	323250	1	
3	312368	1	
4	6202VV	1	6202VVCMP2L
5	939544	1	
6	994721	1	
7	954789	1	
8	608VVM	1	608VVC2PS2L
9A	360456E	1	220V-230V
10	340228E	1	220V-230V
11	626VVM	1	626VVC2PS2L
12-1	312386	1	(MOSS GREEN)
12-2	312387	1	(OFF BLACK GREEN)
13	—	1	
14	302086	7	D4×20
15	930483	2	
16	999041	2	
17	981373	2	
18	303665	1	
19	303656	1	
20	312388	1	
21	303657	1	
22	303666	1	
23	—	1	
24	—	1	
25-1	307217	1	D7.2
25-2	303662	1	D8.8
26	960266	1	
27	305812	2	D4×16
28	—	1	
29	303654	1	
30	303655	1	
31	994273	1	
32	302488	1	



English

**GUARANTEE CERTIFICATE**

- ① Model No.
- ② Serial No.
- ③ Date of Purchase
- ④ Customer Name and Address
- ⑤ Dealer Name and Address  
(Please stamp dealer name and address)

Русский

**ГАРАНТИЙНЫЙ СЕРТИФИКАТ**

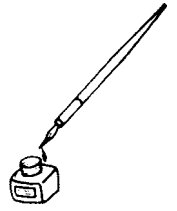
- ① Модель №
- ② Серийный №
- ③ Дата покупки
- ④ Название и адрес заказчика
- ⑤ Название и адрес дилера  
(Пожалуйста, внесите название и адрес дилера)

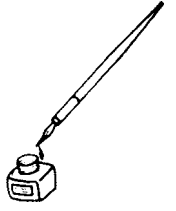
# HITACHI

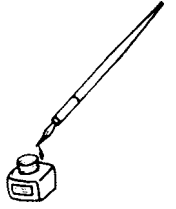
①	
②	
③	
④	
⑤	

**Hitachi Koki**











 **Hitachi Koki Co., Ltd.**

611  
Code No. C99071841  
Printed in China